

PARTS MANUAL



MODELS

BH90C

BH11C

BS90C

WALK-BEHIND TROWEL (HONDA/ROBIN-SUBARU GASOLINE ENGINE)

Revision #4 (01/20/23)

Original Version



THIS MANUAL MUST ACCOMPANY THE EQUIPMENT AT ALL TIMES.

PN: 13405

PARTS FINDER

**Search Website
by Part Number**



**Search Manual
Library For Parts
Manual & Lookup Part
Numbers – Purchase
or Request Quote**

Search Manuals

Enter your information to help us find the right parts manual for your machine.

* Brand:

* Model:

* Serial:

* Part Number:

SEARCH

**Can't Find Part or
Manual? Request Help
by Manufacturer,
Model & Description**

Parts Order Form

Please fill in the following information to help us find the right part for your machine.

Manufacturer:	<input type="text"/>
Model:	<input type="text"/>
Description:	<input type="text"/>
Part Number:	<input type="text"/>
Quantity:	<input type="text"/>
Notes:	<input type="text"/>

Discount-Equipment.com is your online resource for quality parts & equipment.

Florida: **561-964-4949** Outside Florida TOLL FREE: **877-690-3101**

Need parts?

Click on this link: <http://www.discount-equipment.com/category/5443-parts/> and choose one of the options to help get the right parts and equipment you are looking for. Please have the machine model and serial number available in order to help us get you the correct parts. If you don't find the part on the website or on one of the online manuals, please fill out the request form and one of our experienced staff members will get back to you with a quote for the right part that your machine needs.

We sell worldwide for the brands: Genie, Terex, JLG, MultiQuip, Mikasa, Essick, Whiteman, Mayco, Toro Stone, Diamond Products, Generac Magnum, Airman, Haulotte, Barreto, Power Blanket, Nifty Lift, Atlas Copco, Chicago Pneumatic, Allmand, Miller Curber, Skyjack, Lull, Skytrak, Tsurumi, Husquvarna Target, Stow, Wacker, Sakai, Mi-T-M, Sullair, Basic, Dynapac, MBW, Weber, Bartell, Bennar Newman, Haulotte, Ditch Runner, Menegotti, Morrison, Contec, Buddy, Crown, Edco, Wyco, Bomag, Laymor, EZ Trench, Bil-Jax, F.S. Curtis, Gehl Pavers, Heli, Honda, ICS/PowerGrit, IHI, Partner, Imer, Clipper, MMD, Koshin, Rice, CH&E, General Equipment, Amida, Coleman, NAC, Gradall, Square Shooter, Kent, Stanley, Tamco, Toku, Hatz, Kohler, Robin, Wisconsin, Northrock, Oztec, Toker TK, Rol-Air, APT, Wylie, Ingersoll Rand / Doosan, Innovatech, Con X, Ammann, Mecalac, Makinex, Smith Surface Prep, Small Line, Wanco, Yanmar

**BH90C/BH11C/BS90C
Walk-Behind Trowel**

Explanation of Code in Remarks Column..... 4
Suggested Spare Parts 5

Component Drawings

Nameplate and Decals 6–7
Standard Handle Assembly 8–11
Quick Pitch Handle Assembly 12–15
Guard Ring and Engine Mounting Assembly... 16–17
Stabilizer Ring Assembly 18–19
Gearbox Assembly 20–21
Engine and Clutch Assembly..... 22–23
Spider Assembly..... 24–25
Blades and Pan Assembly..... 26–27
Engine Service Parts (Honda)..... 28–29
Engine Service Parts (Subaru)..... 30–31

NOTICE

Specifications and part numbers are subject to change without notice.

Go to Discount-Equipment.com to order your parts

EXPLANATION OF CODE IN REMARKS COLUMN

The following section explains the different symbols and remarks used in the Parts section of this manual. Use the help numbers found on the back page of the manual if there are any questions.

NOTICE

The contents and part numbers listed in the parts section are subject to change **without notice**. Multiquip does not guarantee the availability of the parts listed.

SAMPLE PARTS LIST

NO.	PART NO.	PART NAME	QTY.	REMARKS
1	12345	BOLT	1	INCLUDES ITEMS W/%
2%		WASHER, 1/4 IN.		NOT SOLD SEPARATELY
2%	12347	WASHER, 3/8 IN. ...	1	MQ-45T ONLY
3	12348	HOSE	A/R	MAKE LOCALLY
4	12349	BEARING	1	S/N 2345B AND ABOVE

NO. Column

Unique Symbols — All items with same unique symbol (@, #, +, %, or >) in the number column belong to the same assembly or kit, which is indicated by a note in the “Remarks” column.

Duplicate Item Numbers — Duplicate numbers indicate multiple part numbers, which are in effect for the same general item, such as different size saw blade guards in use or a part that has been updated on newer versions of the same machine.

NOTICE

When ordering a part that has more than one item number listed, check the remarks column for help in determining the proper part to order.

PART NO. Column

Numbers Used — Part numbers can be indicated by a number, a blank entry, or TBD.

TBD (To Be Determined) is generally used to show a part that has not been assigned a formal part number at the time of publication.

A blank entry generally indicates that the item is not sold separately or is not sold by Multiquip. Other entries will be clarified in the “Remarks” Column.

QTY. Column

Numbers Used — Item quantity can be indicated by a number, a blank entry, or A/R.

A/R (As Required) is generally used for hoses or other parts that are sold in bulk and cut to length.

A blank entry generally indicates that the item is not sold separately. Other entries will be clarified in the “Remarks” Column.

REMARKS Column

Some of the most common notes found in the “Remarks” Column are listed below. Other additional notes needed to describe the item can also be shown.

Assembly/Kit — All items on the parts list with the same unique symbol will be included when this item is purchased.

Indicated by:

“INCLUDES ITEMS W/(unique symbol)”

Serial Number Break — Used to list an effective serial number range where a particular part is used.

Indicated by:

“S/N XXXXX AND BELOW”

“S/N XXXX AND ABOVE”

“S/N XXXX TO S/N XXX”

Specific Model Number Use — Indicates that the part is used only with the specific model number or model number variant listed. It can also be used to show a part is NOT used on a specific model or model number variant.

Indicated by:

“XXXXX ONLY”

“NOT USED ON XXXX”

“Make/Obtain Locally” — Indicates that the part can be purchased at any hardware shop or made out of available items. Examples include battery cables, shims, and certain washers and nuts.

“Not Sold Separately” — Indicates that an item cannot be purchased as a separate item and is either part of an assembly/kit that can be purchased, or is not available for sale through Multiquip.

SUGGESTED SPARE PARTS

BH90C/BH11C/BS90C WALK-BEHIND TROWELS

1 to 3 Units

Qty.	P/N	Description
1	21172	CABLE, THROTTLE
1	20285	CABLE, CONTROL, STD
1	20297	CABLE, CONTROL, QP
1	30230	CABLE, INSTACLUTCH
2◇	0152 3	BELT, A28, GATES HP-II
2◆	1243	BELT, A27, GATES HP-II
4	1157 A	BUSHING, TROWEL ARM
4	2827-1	ARM, TROWEL, BEXTENDED
1	10968	THRUST BEARING KIT
2	20111	OIL, MOBIL SYNTHETIC 22OZ.

NOTICE

- ◇ BH90C AND BS90C
- ◆ BH11C

HONDA GX270UT2QA2 GASOLINE ENGINE

1 to 3 Units

Qty.	P/N	Description
3	17210ZE2515	FILTER, DUAL AIR
3	9807955876	SPARK PLUG
1	28462ZE2W11	ROPE, RECOIL STARTER
1	17620Z4H900	CAP, FUEL
1	17672Z4H000	FILTER, FUEL

HONDA GX340UT2QA2 GASOLINE ENGINE

1 to 3 Units

Qty.	P/N	Description
3	17210ZE2515	FILTER, DUAL AIR
3	9807956846	SPARK PLUG
1	28462ZV7003	ROPE, RECOIL STARTER
1	17620Z4H900	CAP, FUEL
1	17672Z4H000	FILTER, FUEL

SUBARU EX270DE5013 GASOLINE ENGINE

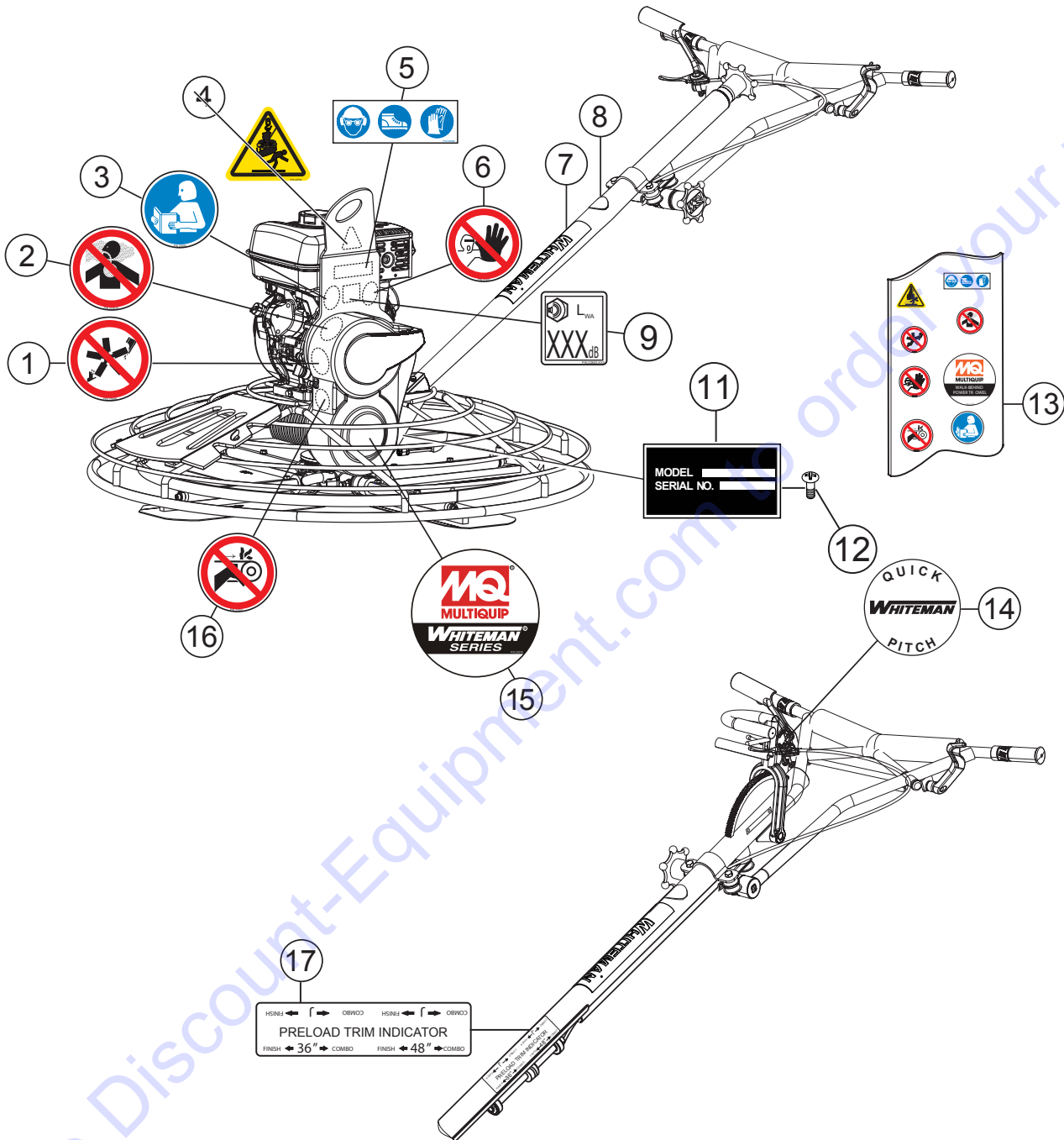
1 to 3 Units

Qty.	P/N	Description
3	2793260718	FILTER, DUAL AIR
3	0650140150	SPARK PLUG
1	2795011008	ROPE, RECOIL STARTER
1	X430440161	CAP, FUEL

NOTICE

Part numbers on this Suggested Spare Parts list may supersede/replace the part numbers shown in the following parts lists.

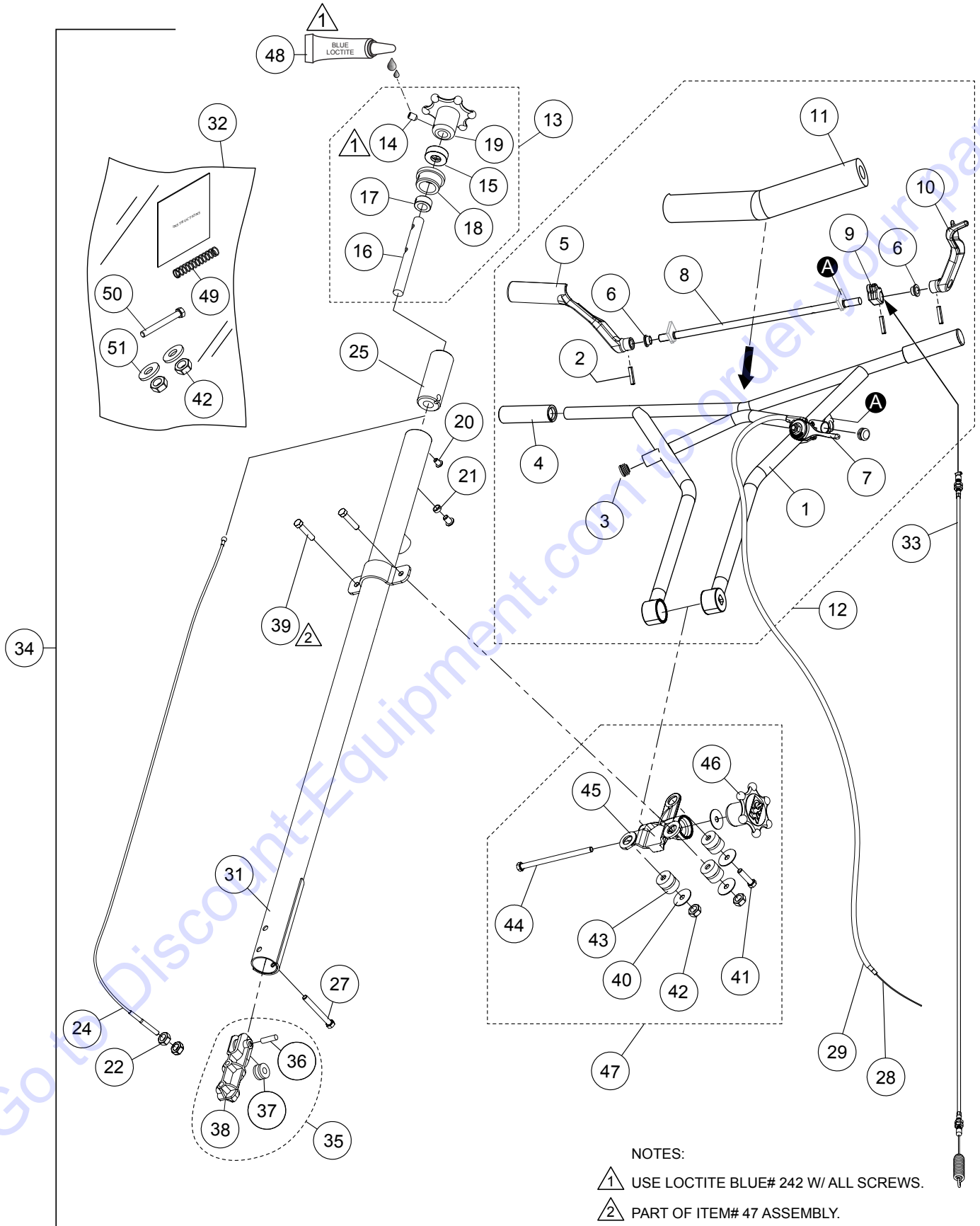
NAMEPLATE AND DECALS



NAMEPLATE AND DECALS

<u>NO.</u>	<u>PART NO.</u>	<u>PART NAME</u>	<u>QTY.</u>	<u>REMARKS</u>
1#	23698	ISO DECAL: ROTATING BLADE HAZARD, 2.00" DIA.	1	
2#	23810	ISO DECAL: INHALATION HAZARD, 2.00" DIA.	1	
3#	23699	ISO DECAL: READ MANUAL, 2.00" DIA.	1	
4#	23700	ISO DECAL: LIFTING/CRUSH, 2.4" X 2.0"	1	
5#	36099	ISO DECAL: PROTECTIVE CLOTHING, 3.50" X 1.13"	1	
6#	23701	ISO DECAL: ASK FOR TRAINING, 2.00" DIA.	1	
7	2942	DECAL: MQ WHITEMAN 13" WHITE	1	
8	1492	DECAL: FINISHER HANDLE	1	
9	23803-122	ISO DECAL: GUARANTEED SOUND 122 dB(A).....	1	BH90C ONLY
9	23803-129	ISO DECAL: GUARANTEED SOUND 129 dB(A).....	1	BH11C ONLY
9	23803-123	ISO DECAL: GUARANTEED SOUND 123 dB(A).....	1	BS90C ONLY
11		DECAL: SERIAL PLATE	1	CONTACT MQ PARTS DEPT.
12	4014	SCREW, 2-3/16" P-K TYPE U-DRIVE	2	
13	22038	DECAL KIT	1	INCLUDES ITEMS W/#
14	12405	DECAL: WHITEMAN QUICK PITCH	1	
15#	22070	DECAL: MQ WHITEMAN POWER TROWEL, 3.78" DIA.	1	
16#	23704	ISO DECAL: GUARD WARNING 2.00" DIA.	1	
17	1735	DECAL: PRELOAD TRIM INDICATOR	1	

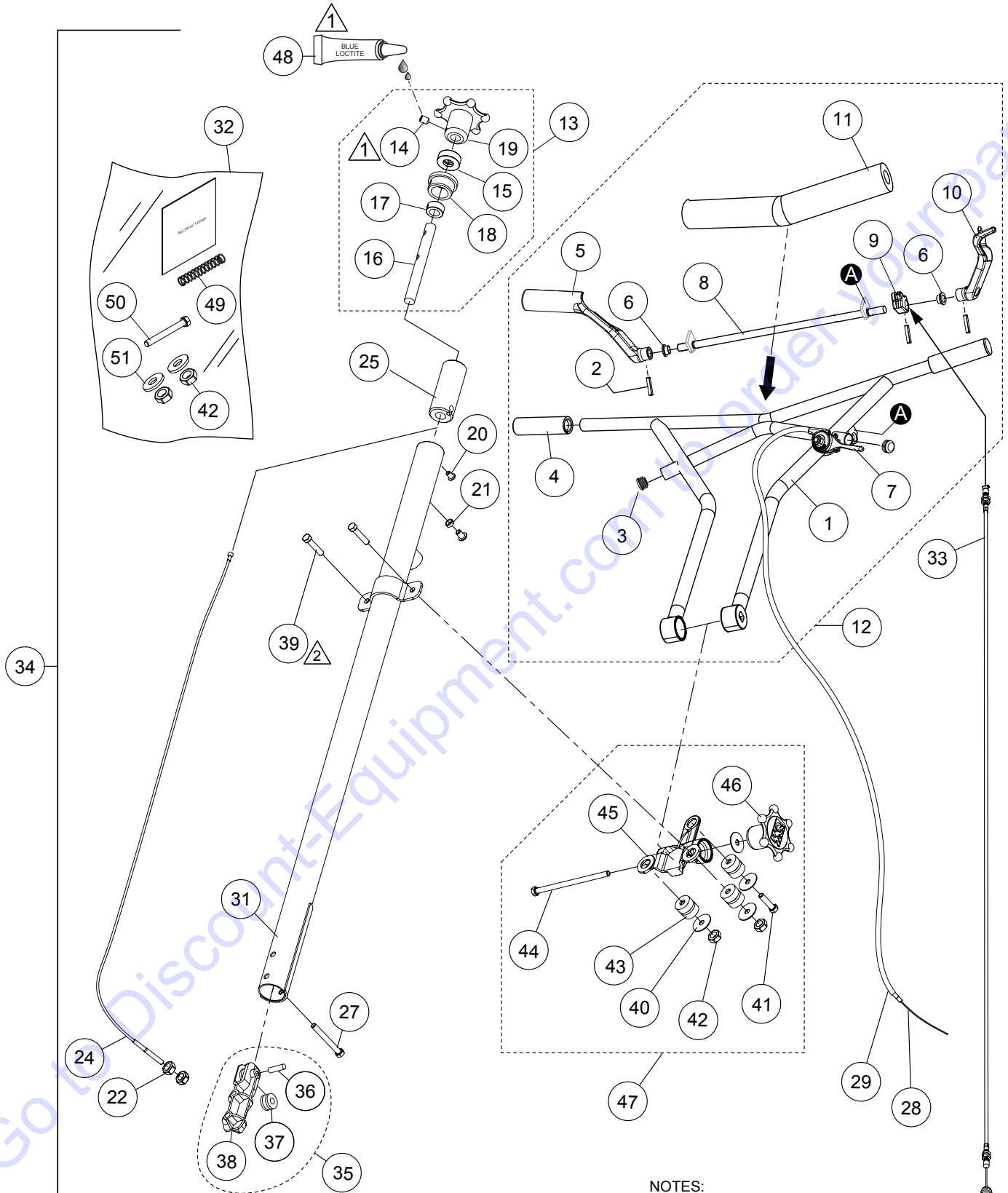
STANDARD HANDLE ASSY.



STANDARD HANDLE ASSY.

<u>NO.</u>	<u>PART NO.</u>	<u>PART NAME</u>	<u>QTY.</u>	<u>REMARKS</u>
1#%	30155	HANDLE	1	
2#%	30203	PIN, ROLL, 3/16" X 7/8"	3	
3#%	22208	PLUG, THROTTLE LEVER	2	
4#%	30174	GRIP	2	
5#%	30169	CASTING, RIGHT PADDLE	1	
6#%	30173	BUSHING, FLANGED, BRONZE, .51" ID X .625" OD	2	
7#%	22732	THROTTLE LEVER ASSY.	1	
8#%	30172	ROD, TORSION BAR	1	
9#%	30171	CASTING, CABLE PULL	1	
10#%	30170	CASTING, LEFT PADDLE	1	
11#%	22166	COVER, VIBE CONTROL HANDLE PAD	1	
12#	30156	UPPER HANDLE ASSY.....	1	INCLUDES ITEMS W/%
13#	20819	HAND WHEEL ASSY., PITCH CONTROL.....	1	INCLUDES ITEMS W/\$
14#\$	0122 C	SCREW, SHS 3/8"-16 X 1/2"	1	
15#\$	0281	BEARING, THRUST	1	
16#\$	1478	SHAFT, TROWEL CONTROL	1	
17#\$	3615	COLLAR, SET 3/4" ID W/SET SCREW	1	
18#\$	20282	BEARING, TROWEL CONTROL	1	
19#\$	20817	WHEEL, HANDLE	1	
20#	0786	SCREW, BHC 1/4"-20 X 3/8" NYL PATCH, NP	2	
21#	0786 A	SPACER, SLIDE BLOCK GUIDE, .360" X 17/64" X 1/8"L	1	
22#	1116	NUT, BRASS JAM 5/16"-18	2	
24#	20285	CABLE, CONTROL	1	
25#	20287	SLIDE BLOCK, TROWEL CONTROL	1	
27#	21017	SCREW, HHC 3/8"-16 X 3-1/4" FULL THRD GRD 5	1	
28#	21172	CABLE, THROTTLE	1	
29#	21173	HOUSING, THROTTLE CABLE	1	
31#	22095-P	HANDLE, W/ FIN VIBE CONTROL	1	
32#	30220	KIT, HANDLE INSTALLATION	1	INCLUDES ITEMS W/◆
33#	30230	CABLE, INSTACLUTCH	1	
34	SXHC	MAIN HANDLE ASSY.	1	INCLUDES ITEMS W/# CONTACT UNIT SALES DEPT.

STANDARD HANDLE ASSY.



NOTES:

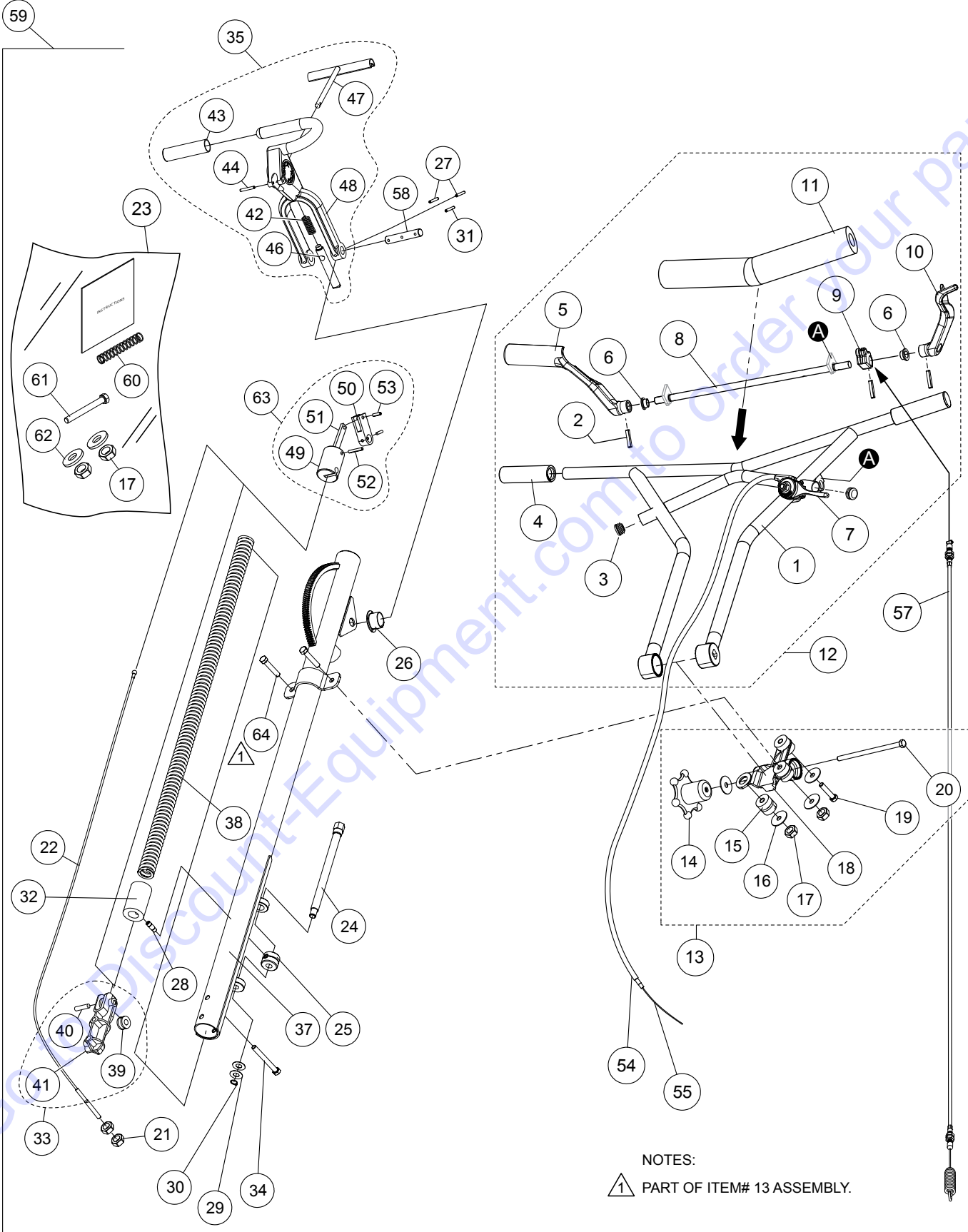
▲ 1 USE LOCTITE BLUE# 242 W/ ALL SCREWS.

▲ 2 PART OF ITEM# 47 ASSEMBLY.

STANDARD HANDLE ASSY.

<u>NO.</u>	<u>PART NO.</u>	<u>PART NAME</u>	<u>QTY.</u>	<u>REMARKS</u>
35#	20280	BLOCK, PITCH CONTROL	1.....	INCLUDES ITEMS W/@
36#@	20279	PIN, SUPPORT BLOCK	1	
37#@	1118	PULLEY, PITCH CABLE ASSY.	1	
38#@	20275	BLOCK, SUPPORT	1	
39#❖	1665	SCREW, HHC 3/8"-16 X 2"	2	
40#❖	3233	WASHER, FENDER, 1.5" OD X 3/8" ID	4	
41#❖	9154	SCREW, HHC 3/8"-16 X 1-3/4"	1	
42#❖◆	10133	NUT, NYLOC 3/8"-16	4	
43#❖	22059	ISOLATOR, VIBRATION	3	
44#❖	22167	SCREW, HHC 3/8"-16 X 6.5" GRD 5	1	
45#❖	22206	CHASSIS, CAST VIBRATION ISOLATOR	1	
46#❖	20439	WHEEL ASSY., HAND	1	
47#	30206	VIBE CHASSIS ASSY.....	1.....	INCLUDES ITEMS W/❖
48#	1477	LOCTITE, BLUE #242	AR	
49#◆	21746	SPRING, PRIMARY THROTTLE RETURN	1	
50#◆	1493	SCREW, HHC 3/8"-16 X 3-1/4"	1	
51#◆	10136	WASHER, 3/8" FLAT	2	

QUICK PITCH HANDLE ASSY.

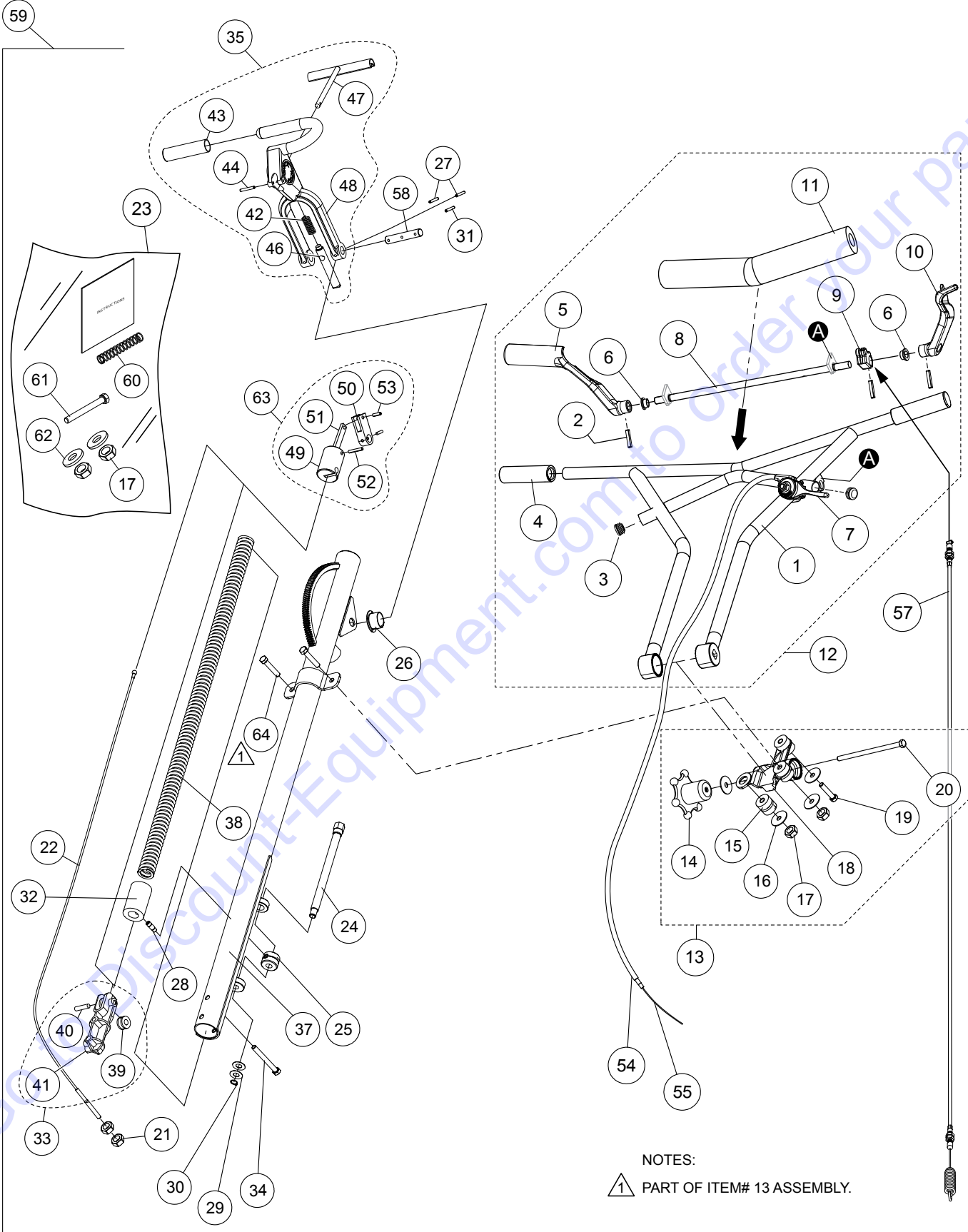


NOTES:
 1 PART OF ITEM# 13 ASSEMBLY.

QUICK PITCH HANDLE ASSY.

NO.	PART NO.	PART NAME	QTY.	REMARKS
1#%	30155	HANDLE	1	
2#%	30203	PIN, ROLL, 3/16" X 7/8"	3	
3#%	22208	PLUG, THROTTLE LEVER	2	
4#%	30174	GRIP	2	
5#%	30169	CASTING, RIGHT PADDLE	1	
6#%	30173	BUSHING, FLANGED, BRONZE	2	
7#%	22732	THROTTLE LEVER ASSY.	1	
8#%	30172	ROD, TORSION BAR	1	
9#%	30171	CASTING, CABLE PULL	1	
10#%	30170	CASTING, LEFT PADDLE	1	
11#%	22166	COVER, VIBE CONTROL HANDLE PAD	1	
12#	30156	UPPER HANDLE ASSY. INSTACLUTCH	1	INCLUDES ITEMS W/%
13#	30206	VIBE CHASSIS ASSY.....	1	INCLUDES ITEMS W/@
14#@	20439	WHEEL ASSY., HAND	1	
15#@	22059	ISOLATOR, VIBRATION	3	
16#@	3233	WASHER, FENDER, 1.5" OD X 3/8" ID	4	
17#@◆	10133	NUT, NYLOC 3/8"-16	4	
18#@	22206	CHASSIS, CAST VIBRATION ISOLATOR	1	
19#@	9154	SCREW, HHC 3/8"-16 X 1-3/4"	1	
20#@	22167	SCREW, HHC 3/8"-16 X 6-1/2" GRD 5	1	
21#	1116	NUT, BRASS JAM 5/16"-18	2	
22#	20297	CABLE, CONTROL	1	
23#	30220	KIT, INSTACLUTCH HANDLE INSTALLATION.....	1	INCLUDES ITEMS W/◆
24#	1717	SCREW, Q.P. TRIM ADJUSTMENT	1	
25#	1718	NUT , Q.P. TRIM CONTROL ADJUSTMENT	1	
26#	1719	BUSHING, PIVOT PLATE	2	
27#	1729	PIN, ROLL 3/16" X 1-1/4"	2	
28#	1732	Q.P. ADJUSTMENT PIN	1	
29#	1733	WASHER, 1/2" X 1/32"	2	
30#	1737	RING, SNAP	1	
31#	4568	PIN, ROLL 3/16" X 1"	1	
32#	20270	Q.P. ADJUSTMENT BLOCK	1	
33#	20280	BLOCK, PITCH CONTROL	1	INCLUDES ITEMS W/◇
34#	21017	SCREW, HHC 3/8"-16 X 3-1/4" FULL GRD 5	1	
35#	20390	TRIGGER, QP ASSY.	1	INCLUDES ITEMS W/\$
37#	22060-P	MAIN HANDLE, Q.P. VIBE CONTROL	1	
38#	1715	Q.P. SPRING CENTER BALANCE	1	
39#◇	1118	PULLEY, PITCH CABLE HANDLE	1	
40#◇	20279	PIN, SUPPORT BLOCK 3/8" X 1.59"	1	
41#◇	20275	BLOCK, SUPPORT	1	
42#\$	1706	SPRING, COMPRESSION	1	
43#\$	1724	GRIP, HANDLE	1	
44#\$	1729	PIN, ROLL 3/16" X 1-1/4"	1	
46#\$	20437	PIN, Q.P. LATCH	1	
47#\$	1746	TRIGGER, Q.P.	1	

QUICK PITCH HANDLE ASSY.



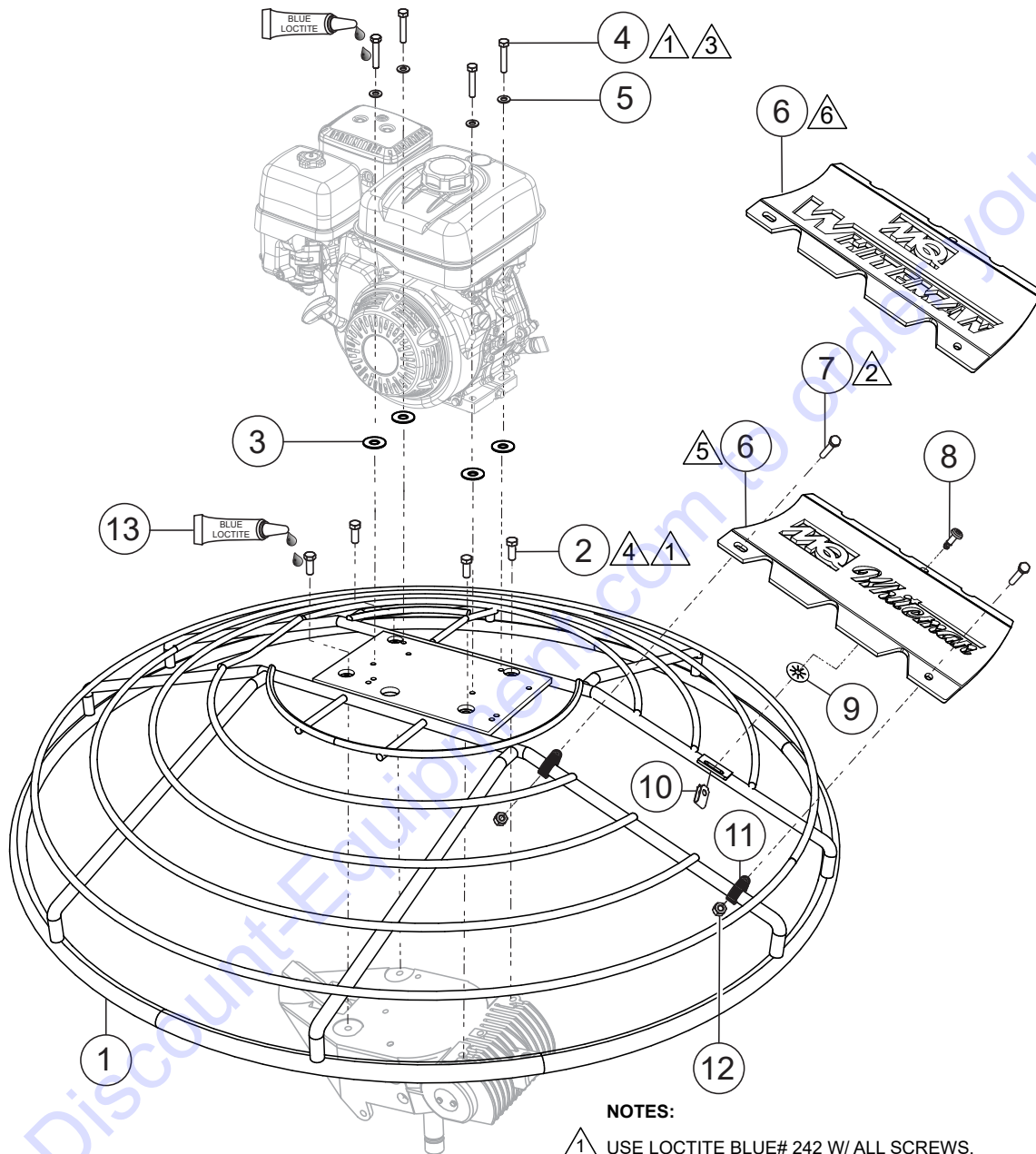
NOTES:
 1 PART OF ITEM# 13 ASSEMBLY.

QUICK PITCH HANDLE ASSY.

<u>NO.</u>	<u>PART NO.</u>	<u>PART NAME</u>	<u>QTY.</u>	<u>REMARKS</u>
48#\$	20389	HANDLE, QP	1	
49#❖	20269	BLOCK, CABLE SLIDE	1	
50#❖	20443	ARM, SLIDE CONTROL	1	
51#❖	1709	Q.P. DOGBONE	1	
52#❖	20276	PIN, ROLL 1/4" X 1-3/4"	1	
53#❖	1731	PIN, ROLL 1/4" X 3/4"	1	
54#	21173	HOUSING, THROTTLE CABLE	1	
55#	21172	CABLE, THROTTLE	1	
57#	30230	CABLE, INSTACLUTCH	1	
58#	1711	SHAFT, CONTROL Q.P.	1	
59	QXHC	MAIN HANDLE ASSY.	1	INCLUDES ITEMS W/# CONTACT UNIT SALES DEPT.
60#◆	21746	SPRING, PRIMARY THROTTLE RETURN	1	
61#◆	1493	SCREW, HHC 3/8"-16 X 3-1/4"	1	
62#◆	10136	WASHER, 3/8" FLAT	2	
63#	20293	LINKAGE, Q.P. CONTROL.....	1	INCLUDES ITEMS W/❖
64#@	1665	SCREW, HHC 3/8"-16 X 2"	2	

Go to Discount-Equipment.com to order your parts

GUARD RING AND ENGINE MOUNTING ASSY.



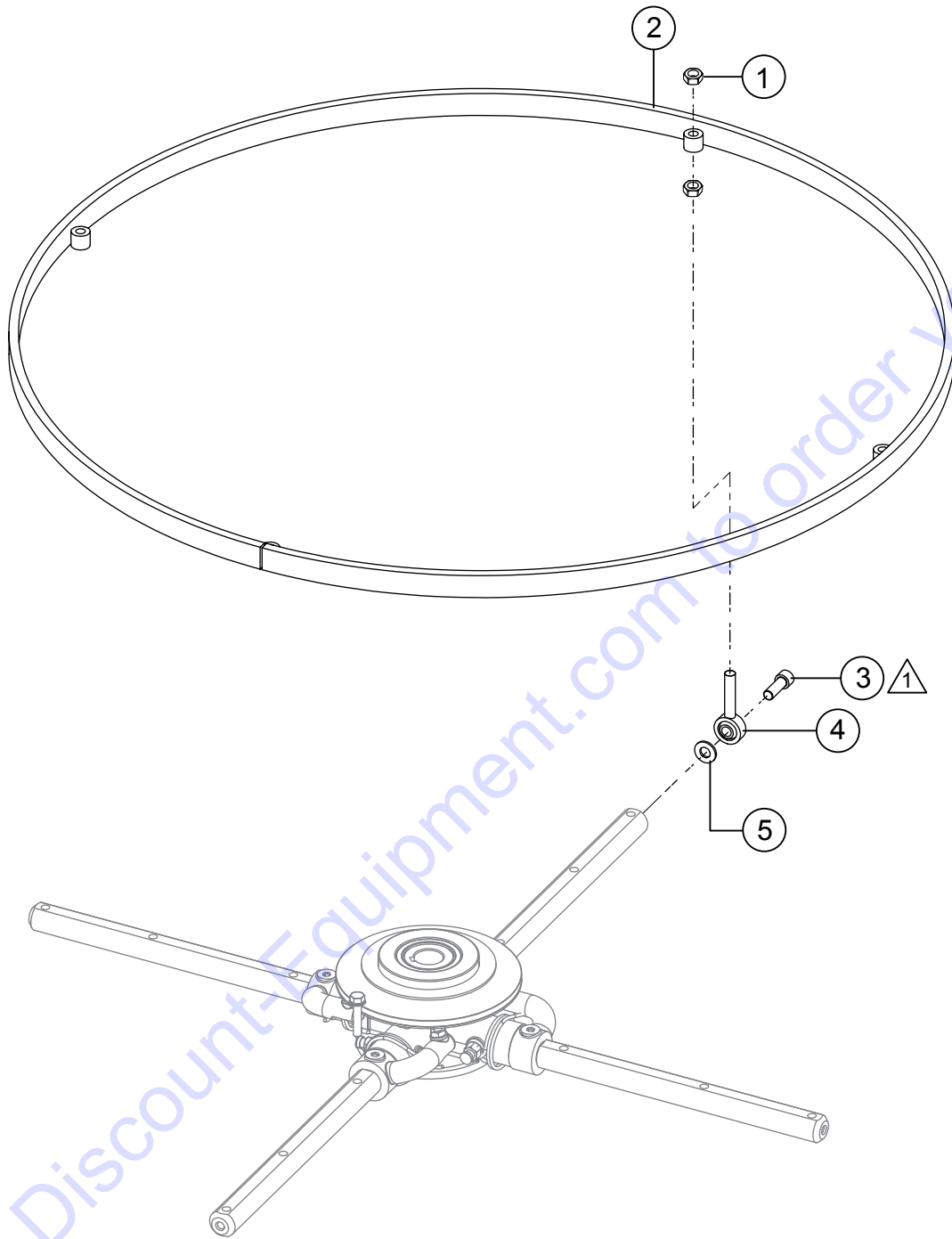
NOTES:

- △1 USE LOCTITE BLUE# 242 W/ ALL SCREWS.
- △2 TORQUE TO 8 FT.-LBS. (10.8 N·m)
- △3 TORQUE TO 14.5 FT.-LBS. (20 N·m)
- △4 TORQUE TO 23 FT.-LBS. (31 N·m)
- △5 EFFECTIVE 01/08/23 AND EARLIER.
- △6 EFFECTIVE 01/09/23 AND LATER.

GUARD RING AND ENGINE MOUNTING ASSY.

<u>NO.</u>	<u>PART NO.</u>	<u>PART NAME</u>	<u>QTY.</u>	<u>REMARKS</u>
1	21973	GUARD RING	1	
2	0205	SCREW, HHC 3/8"-16 X 1"	4	
3	13351	WASHER, FLAT 3/8" EXT THICK HIGH STRGTH	4	
4	1391	SCREW, HHC 5/16"-24 X 1-1/2" ZINC	4	
5	933241	WASHER, FLAT SAE 5/16" GRD 9 YZ	4	
6	21979	ACCESS PANEL	1	
7	26250	SCREW, HHC 1/4"-20 X 1-3/4"	2	
8	21893	SCREW, FAST LEAD	1	
9	21986	WASHER, FAST LEAD-STAINLESS	1	
10	21894	CLIP, FAST LEAD	1	
11	21922	CLAMP, 0.625" ID PIPE	2	
12	10024	NUT, NYLOC 1/4"-20	2	
13	1477	BLUE LOCTITE, #242	AR	

STABILIZER RING ASSY.



NOTES:

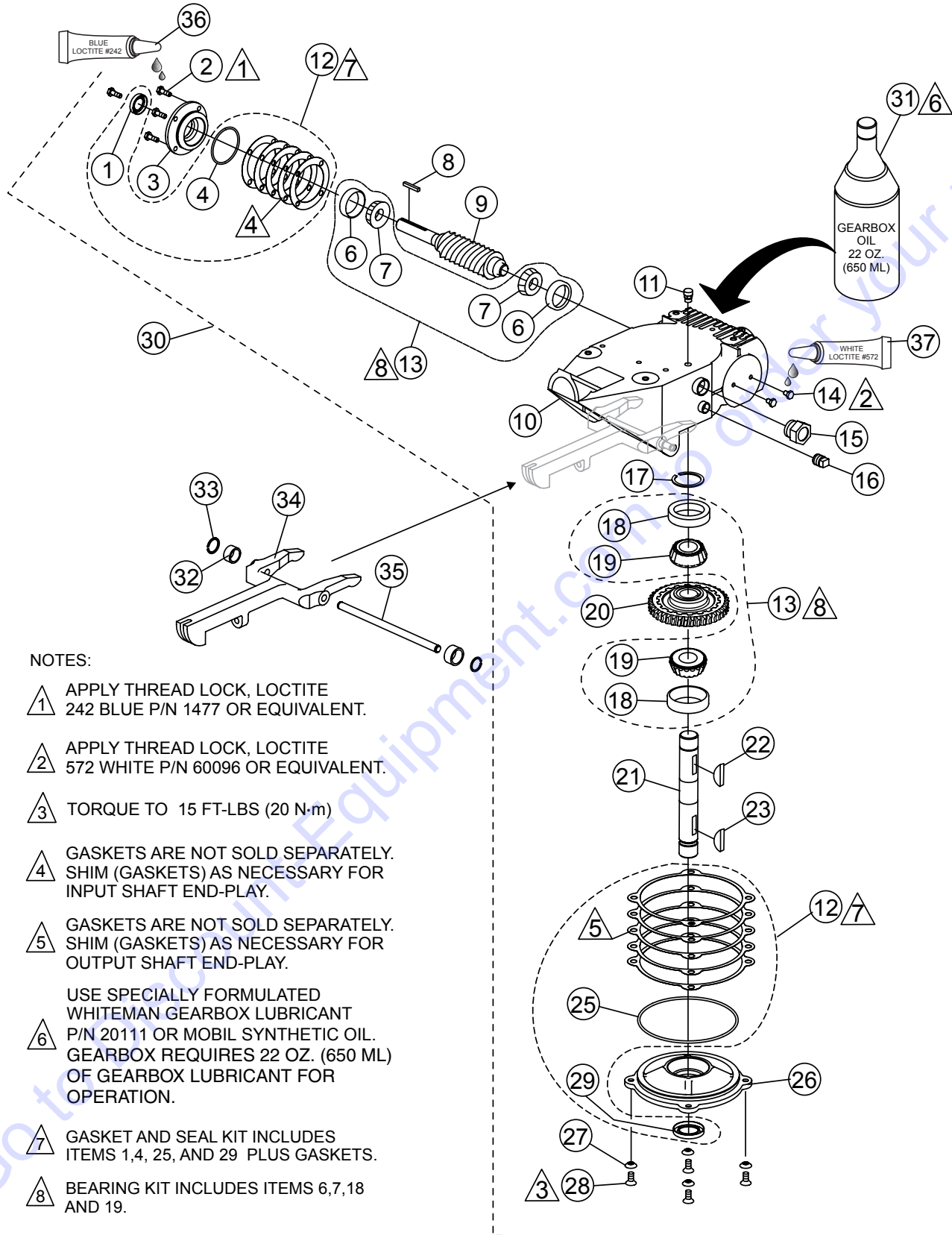
1  TORQUE TO 17 FT.-LBS. (23 N·m)

STABILIZER RING ASSY.

<u>NO.</u>	<u>PART NO.</u>	<u>PART NAME</u>	<u>QTY.</u>	<u>REMARKS</u>
1	6014 C	NUT, HEX FINISH 5/16"-24	8	
2	1483	RING, STABILIZER	1	
3	1237	SCREW, SHC 5/16"-18 X 7/8", NYL PATCH, NP	4	
4	1723	ROD END, 5/16" DIA. X 5/16"-24 MALE END RH	4	
5	0300 B	WASHER, FLAT SAE 5/16"	4	

Go to Discount-Equipment.com to order your parts

GEARBOX ASSY.



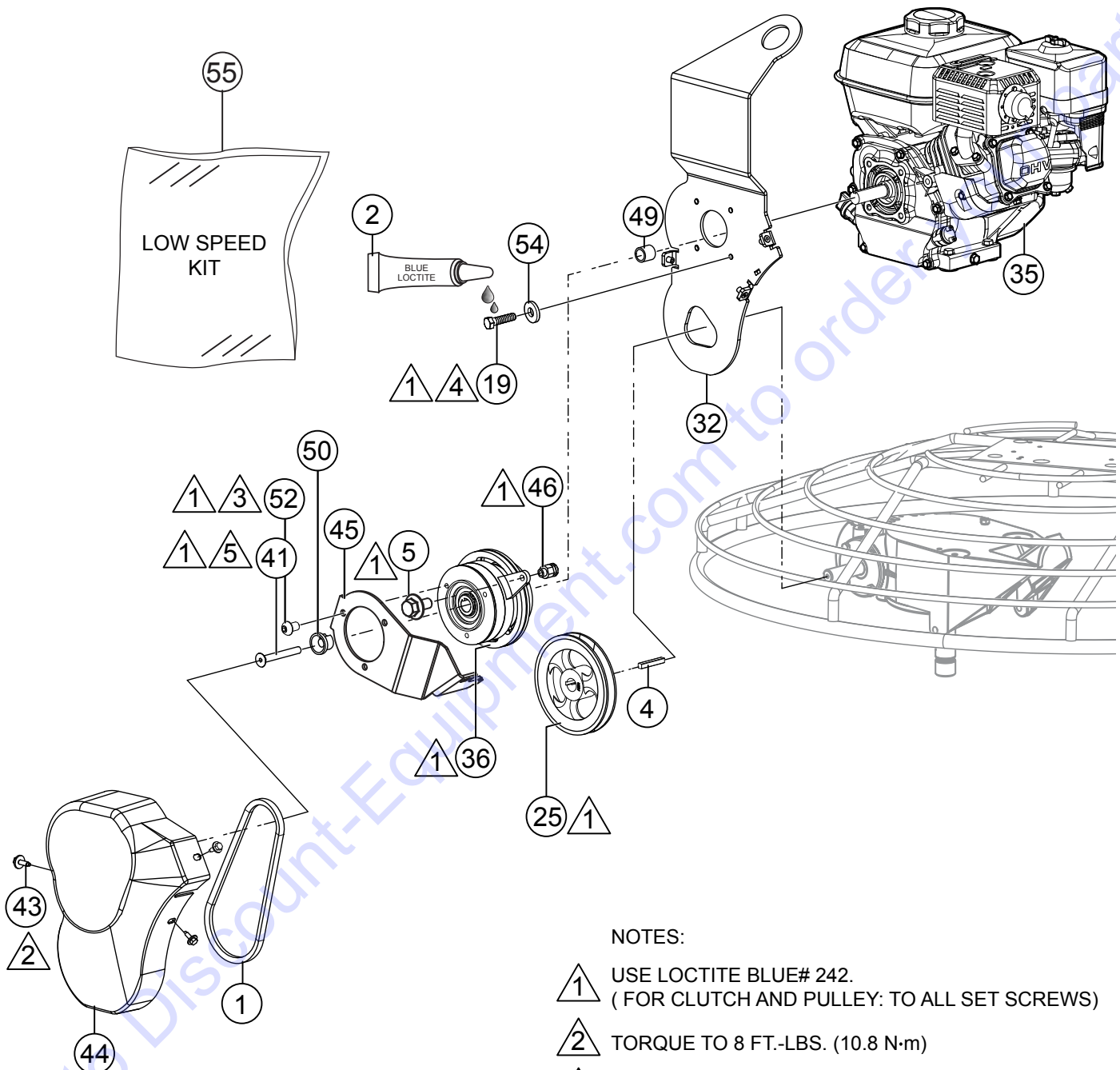
NOTES:

- ▲ 1 APPLY THREAD LOCK, LOCTITE 242 BLUE P/N 1477 OR EQUIVALENT.
- ▲ 2 APPLY THREAD LOCK, LOCTITE 572 WHITE P/N 60096 OR EQUIVALENT.
- ▲ 3 TORQUE TO 15 FT-LBS (20 N·m)
- ▲ 4 GASKETS ARE NOT SOLD SEPARATELY. SHIM (GASKETS) AS NECESSARY FOR INPUT SHAFT END-PLAY.
- ▲ 5 GASKETS ARE NOT SOLD SEPARATELY. SHIM (GASKETS) AS NECESSARY FOR OUTPUT SHAFT END-PLAY.
- ▲ 6 USE SPECIALLY FORMULATED WHITEMAN GEARBOX LUBRICANT P/N 20111 OR MOBIL SYNTHETIC OIL. GEARBOX REQUIRES 22 OZ. (650 ML) OF GEARBOX LUBRICANT FOR OPERATION.
- ▲ 7 GASKET AND SEAL KIT INCLUDES ITEMS 1,4, 25, AND 29 PLUS GASKETS.
- ▲ 8 BEARING KIT INCLUDES ITEMS 6,7,18 AND 19.

GEARBOX ASSY.

<u>NO.</u>	<u>PART NO.</u>	<u>PART NAME</u>	<u>QTY.</u>	<u>REMARKS</u>
1%\$	0753	SEAL, OIL	1	
2%	0131 A	SCREW, HHC 1/4"-20 X 3/4"	4	
3%	12876	FLANGE, INPUT SHAFT	1	
4%\$	20395	O-RING, 2"	1	
6%#	20466	BEARING, CUP, TIMKEN #M11910	2	
7%#	20465	BEARING, CONE, TIMKEN #LM11949	2	
8%	0627	KEY, SQ 3/16" X 1-1/4"	1	
9%	1851	GEAR, WORM "B" INPUT SHAFT	1	
10%	12874	CASE, WORM GEAR	1	
11%	21218	VENT, AIR	1	
12	21046	GASKET/SEAL KIT.....	1	INCLUDES ITEMS W/\$
13	21047	KIT, BEARING/SEAL	1	INCLUDES ITEMS W/#
14%	20476	SCREW, HHC 1/4"-28 X 3/8"	2	
15%	21033	SIGHT GLASS, 3/4" M PIPE STEEL	1	
16%	0121 A	FITTING, PLUG 3/8" MP SQ HEAD	1	
17%	1138	RING, SNAP	1	
18%#	20475	BEARING, CUP TIMKEN #M86610	2	
19%#	20474	BEARING, CONE TIMKEN #M86647	2	
20%	1140	GEAR, WORM, COMPOSITE	1	
21%	20470	SHAFT, OUTPUT	1	
22%	1139	KEY, WOODRUFF #810	1	
23%	1238	KEY, WOODRUFF #1012	1	
25%\$	20396	O-RING	1	
26%	12875	COVER, GEARBOX	1	
27%	10235	WASHER, C/S EXT. SHKP	4	
28%	20875	SCREW, FHSC 5/16"-18 X 3/4"	4	
29%\$	0254	SEAL, OIL	1	
30	20407	GEARBOX ASSY.	1	INCLUDES ITEMS W/%
31	20111	OIL, MOBIL SYNTHETIC SHC634, 22 OZ. (650 ML)	2	
32	22292	SPACER, 0.5" X 0.402" X .25"L UNTREATED	2	
33	20802	RING, SNAP	2	
34	1150	YOKE ARM	1	
35	20801	PIN, YOKE	1	
36	1477	LOCTITE, BLUE #242	AR	
37	60096	LOCTITE, WHITE #572	AR	

ENGINE AND CLUTCH ASSY.



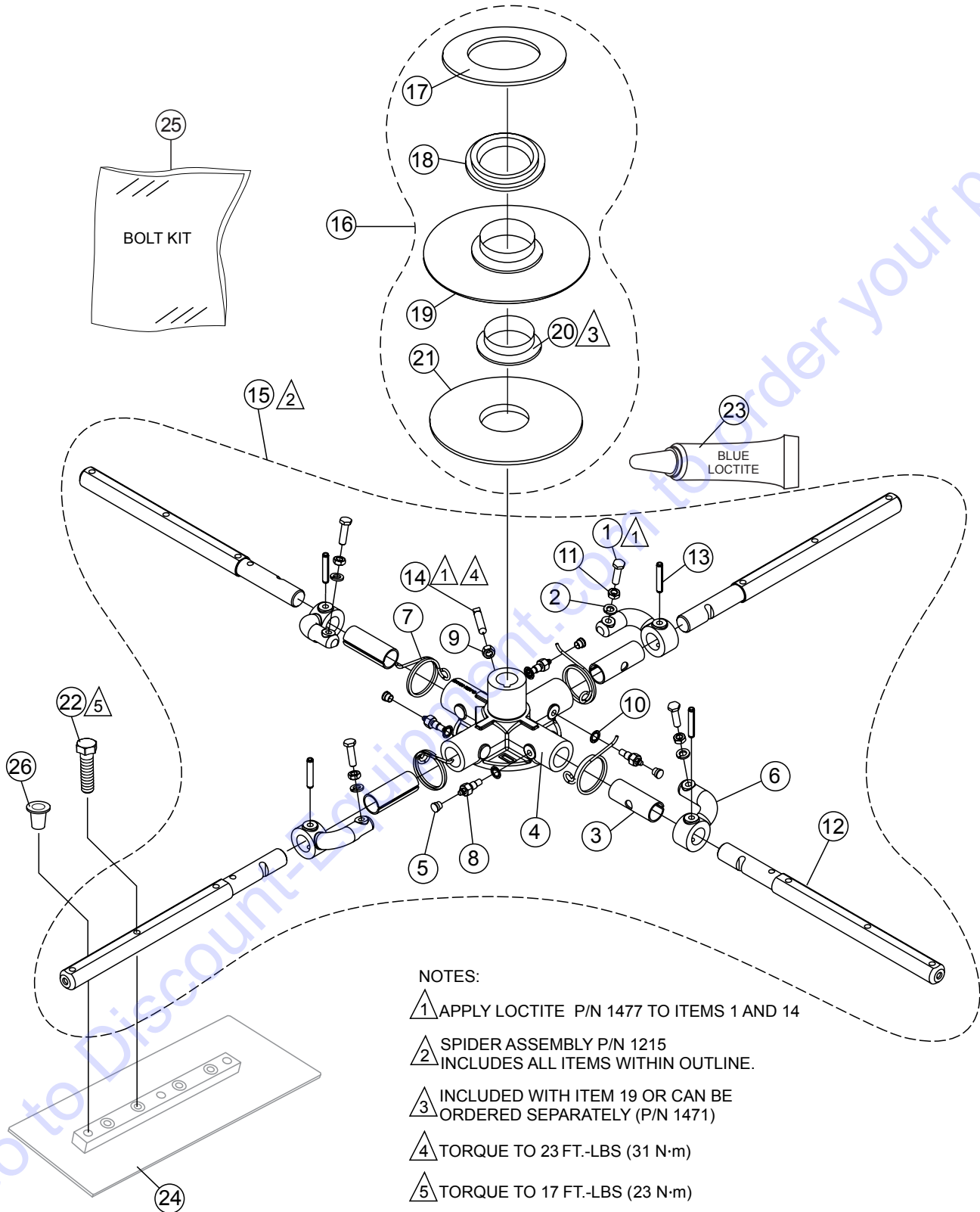
NOTES:

- ① USE LOCTITE BLUE# 242.
(FOR CLUTCH AND PULLEY: TO ALL SET SCREWS)
- ② TORQUE TO 8 FT.-LBS. (10.8 N·m)
- ③ TORQUE TO 13 FT.-LBS. (18 N·m)
- ④ TORQUE TO 14.5 FT.-LBS. (19.6 N·m)
- ⑤ TORQUE TO 26 FT.-LBS. (35 N·m)

ENGINE AND CLUTCH ASSY.

<u>NO.</u>	<u>PART NO.</u>	<u>PART NAME</u>	<u>QTY.</u>	<u>REMARKS</u>
1#	0152 3	BELT, A28, GATES HP-II.....	1	BH90C AND BS90C ONLY
1	1243	BELT, A27, GATES HP-II.....	1	BH11C ONLY
2	1477	BLUE LOCTITE, #242	AR	
4	0627	KEY, 3/16" X 1-1/4"	1	
5	22538-001	SCREW, HEX FLANGE, 1/4"-20 X .5,THR ROLL	1	
19	10229	SCSCREW, HHC 5/16"-24 X 1"	4	
25#	21140	PULLEY AK54 X 3/4"	1	
25	11049	PULLEY, AK49 X 3/4".....	1	BH11C ONLY
32	21984	LIFTING BALE ASSY.	1	
35	22623	ENGINE, HONDA GX270 (9 HP).....	1	BH90C ONLY
35	22625	ENGINE, HONDA GX340 (11 HP).....	1	BH11C ONLY
35	22996	ENGINE, SUBARU, EX270 (9 HP).....	1	BS90C ONLY
36	22891	CLUTCH, FRICTION DRIVE	1	
41	23965	SCREW, FHSC, 7/16"-20 X 1".....	1	BH90C AND BS90C ONLY
41	30318	SCREW, FHSC 3/8"-24 X 1".....	1	BH11C ONLY
43	30119	SCREW, 1/4"-20 X 7/8" IND HEX, DOG PT	3	
44	30344	BELT GUARD	1	
45	30200	BRACKET, FRICTION CLUTCH ANTI-ROTATION	1	
46	30202	ANCHOR, SPRING	1	
49	30236	SPACER, 1" SHAFT	1	
50	30240	END CAP, 1" SHAFT	1	
52	32448	SCREW, BHC, 5/16"-18 X 1/2"	3	
54	933241	WASHER, FLAT SAE 5/16" GRD 9 YZ	4	
55	LOWSPEEDKITJB	LOW SPEED KIT.....	1	INCLUDES ITEMS W/#

SPIDER ASSY.



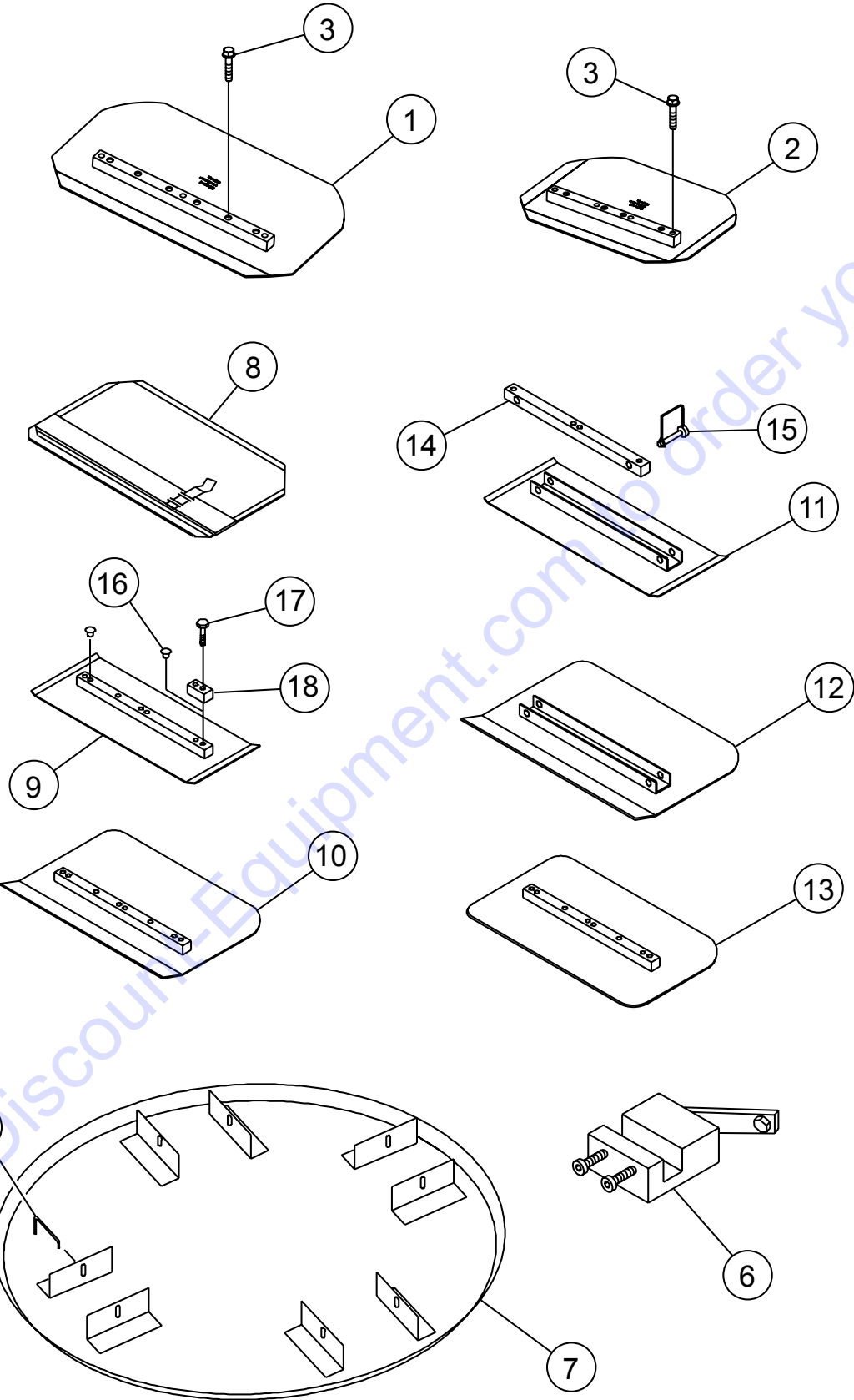
NOTES:

- 1 ▲ APPLY LOCTITE P/N 1477 TO ITEMS 1 AND 14
- 2 ▲ SPIDER ASSEMBLY P/N 1215 INCLUDES ALL ITEMS WITHIN OUTLINE.
- 3 ▲ INCLUDED WITH ITEM 19 OR CAN BE ORDERED SEPARATELY (P/N 1471)
- 4 ▲ TORQUE TO 23 FT.-LBS (31 N·m)
- 5 ▲ TORQUE TO 17 FT.-LBS (23 N·m)

SPIDER ASSY.

<u>NO.</u>	<u>PART NO.</u>	<u>PART NAME</u>	<u>QTY.</u>	<u>REMARKS</u>
1%	0164 B	SCREW, HHC ROUNDED 3/8"-16, FULL THREAD	4	
2%	0166 A	LOCK WASHER 3/8" MED	4	
3%	1157 A	BUSHING, TROWEL ARM	4	
4%	1161-1	SPIDER PLATE, 1-1/8" 4-BLADE, SILVER	1	
5%	1162 A	CAP, GREASE ZERK #2 YELLOW	4	
6%	1163-1	LEVER, TROWEL ARM, RIGHT HAND, SILVER	4	
7%	1316	SPRING, LS ARM RETURN	4	
8%	1322	RETAINING SCREW ASSY.	4	
9%	1456	NUT, HEX FINISH 3/8"-16	1	
10%	1875	WASHER, INT. SHKP. 3/8"	4	
11%	1876	NUT, HEX JAM 3/8"-16 CLASS 2B	4	
12%	2827-1	ARM, TROWEL, B EXTENDED, SILVER	4	
13%	4164	ROLL PIN 5/16" X 1-3/4"	4	
14%	12097	SCREW, SQHS 3/8"-16 X 1-3/4" GRD 8 PLTD.	1	
15	1490	SPIDER PLATE ASSY.....	1	INCLUDES ITEMS W/%
16	10968	THRUST COLLAR ASSY.....	1	INCLUDES ITEMS W/\$
17\$	12208	WEAR RING	1	
18\$	12778	FLANGE BEARING	1	
19\$	10793	THRUST COLLAR	1	INCLUDES ITEMS W/#
20\$#	1471	THRUST COLLAR BUSHING	1	
21\$	1154 A	WEAR PLATE	1	
22@	21906	SCREW, HHFS 5/16"-18 X 1-1/2" GRD 5	8	
23	1477	BLUE LOCTITE, #242	AR	
24		BLADE ASSY.....	4	CONTACT UNIT SALES DEPT.
25	23648	KIT, BOLT.....	1	INCLUDES ITEMS W/@
26@	1434	PLUG, BLADE	4	

BLADES AND PAN ASSY.

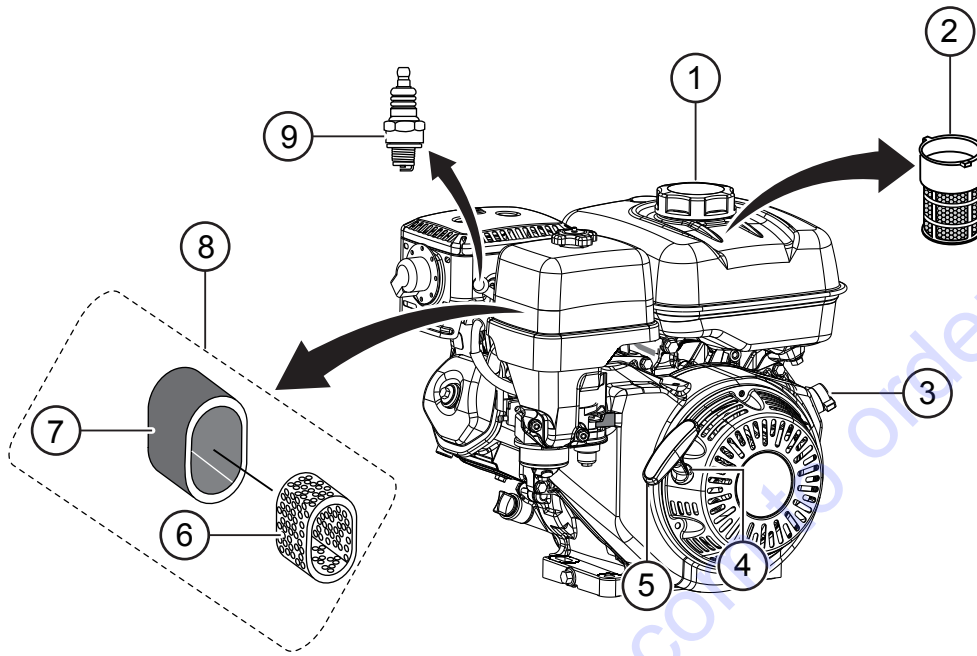


BLADES AND PAN ASSY.

<u>NO.</u>	<u>PART NO.</u>	<u>PART NAME</u>	<u>QTY.</u>	<u>REMARKS</u>
1		BLADE, COMBO 8" X 14"	4.....	(ALL EXCEPT 30")
2		BLADE, COMBO, 8" X 10-1/2"	4.....	(30" TROWEL ONLY)
3	21906	SCREW, HHFS 5/16"-18 X 1-1/2" GRD 5	8.....	ALL
5	20646	LATCH PIN FOR FLOAT PANS	4.....	CONTACT UNIT SALES DEPT.
6	1817	TRWL ARM ADJ. FIXTURE 36" TO 46" MODELS	1.....	CONTACT UNIT SALES DEPT.
7		FLOAT DISC	1.....	CONTACT UNIT SALES DEPT.
8		FLOAT BLADE.....	4.....	CONTACT UNIT SALES DEPT.
9		FINISH BLADE	4.....	CONTACT UNIT SALES DEPT.
10		COMBO FLOAT AND FINISH BLADE.....	4.....	CONTACT UNIT SALES DEPT.
11		ENDURO UNIVERSAL FINISH BLADE	4.....	CONTACT UNIT SALES DEPT.
12		ENDURO UNIVERSAL COMBO BLADE	4.....	CONTACT UNIT SALES DEPT.
13		REVERSIBLE COMBO BLADE.....	4.....	CONTACT UNIT SALES DEPT.
14		UNIVERSAL MOUNTING BAR	4.....	CONTACT UNIT SALES DEPT.
15	QS1869	SNAP PIN FOR QC BLADES.....	8.....	CONTACT UNIT SALES DEPT.
16	1434	PLUG, BLADE (FINISH BLADE ONLY)	4	
17	0202	SCREW, HHC 5/16"-18 X 1" ZINC	4	
18	0201	LUG, GUARD RING	4	

Go to Discount-Equipment.com to order HHFS

ENGINE SERVICE PARTS (HONDA)



ENGINE SERVICE PARTS (HONDA)

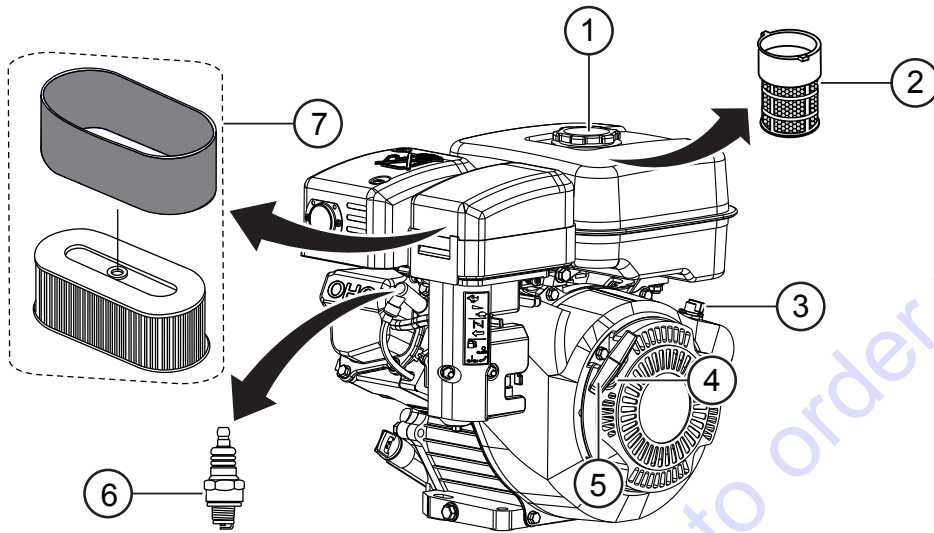
<u>NO.</u>	<u>PART NO.</u>	<u>PART NAME</u>	<u>QTY.</u>	<u>REMARKS</u>
1	17620Z4H900	CAP, FUEL	1	REPLACES P/N 17620Z4H030
2	17672Z4H000	FILTER, FUEL	1	
3	35120Z5T003	SWITCH, ENGINE STOP	1	
4◇	28462ZE2W11	ROPE, RECOIL STARTER	1	
4◆	28462ZV7003	ROPE, RECOIL STARTER	1	
5	28461Z5T305	GRIP, RECOIL STARTER	1	
6#		FILTER, INNER AIR.....	1	NOT SOLD SEPARATELY
7◇#	17218ZE2505	FILTER, OUTER AIR	1	
7◆#	17218ZE3505	FILTER, OUTER AIR	1	
8	17210ZE2515	FILTER, DUAL AIR	1	INCLUDES ITEMS W/#
9◇	9807955876	SPARK, PLUG	1	
9◆	9807956846	SPARK PLUG	1	

NOTICE

◇ HONDA GX270UT2QA2

◆ HONDA GX340UT2QA2

ENGINE SERVICE PARTS (SUBARU)



ENGINE SERVICE PARTS (SUBARU)

<u>NO.</u>	<u>PART NO.</u>	<u>PART NAME</u>	<u>QTY.</u>	<u>REMARKS</u>
1	X430440161	CAP, FUEL	1	
2	2056600111	FILTER, FUEL.....	1.....	REPLACES P/N X641360010
3	KU31107101	SWITCH ASSY.	1	
4	2795011008	ROPE, RECOIL STARTER	1	
5	2265070118	GRIP, RECOIL STARTER	1	
6	0650140150	SPARK PLUG	1	
7	2793260718	FILTER, DUAL AIR	1.....	REPLACES P/N 2793260618

Go to Discount-Equipment.com to order your parts

PARTS FINDER

**Search Website
by Part Number**



**Search Manual
Library For Parts
Manual & Lookup Part
Numbers – Purchase
or Request Quote**

Search Manuals

Enter your information to help us find the right parts manual for your machine.

* Brand:

* Model:

* Serial:

* Part Number:

SEARCH

**Can't Find Part or
Manual? Request Help
by Manufacturer,
Model & Description**

Parts Order Form

Please fill in the following information to help us find the right part for your machine.

Manufacturer:	<input type="text"/>
Model:	<input type="text"/>
Description:	<input type="text"/>
Part Number:	<input type="text"/>
Quantity:	<input type="text"/>
Notes:	<input type="text"/>

Submit

Discount-Equipment.com is your online resource for quality parts & equipment.

Florida: **561-964-4949** Outside Florida TOLL FREE: **877-690-3101**

Need parts?

Click on this link: <http://www.discount-equipment.com/category/5443-parts/> and choose one of the options to help get the right parts and equipment you are looking for. Please have the machine model and serial number available in order to help us get you the correct parts. If you don't find the part on the website or on one of the online manuals, please fill out the request form and one of our experienced staff members will get back to you with a quote for the right part that your machine needs.

We sell worldwide for the brands: Genie, Terex, JLG, MultiQuip, Mikasa, Essick, Whiteman, Mayco, Toro Stone, Diamond Products, Generac Magnum, Airman, Haulotte, Barreto, Power Blanket, Nifty Lift, Atlas Copco, Chicago Pneumatic, Allmand, Miller Curber, Skyjack, Lull, Skytrak, Tsurumi, Husquvarna Target, Stow, Wacker, Sakai, Mi-T-M, Sullair, Basic, Dynapac, MBW, Weber, Bartell, Bennar Newman, Haulotte, Ditch Runner, Menegotti, Morrison, Contec, Buddy, Crown, Edco, Wyco, Bomag, Laymor, EZ Trench, Bil-Jax, F.S. Curtis, Gehl Pavers, Heli, Honda, ICS/PowerGrit, IHI, Partner, Imer, Clipper, MMD, Koshin, Rice, CH&E, General Equipment, Amida, Coleman, NAC, Gradall, Square Shooter, Kent, Stanley, Tamco, Toku, Hatz, Kohler, Robin, Wisconsin, Northrock, Oztec, Toker TK, Rol-Air, APT, Wylie, Ingersoll Rand / Doosan, Innovatech, Con X, Ammann, Mecalac, Makinex, Smith Surface Prep, Small Line, Wanco, Yanmar