

# PARTS MANUAL



*Mikasa* **SERIES**  
**MODEL MVH508DZ**  
**REVERSIBLE PLATE COMPACTOR**  
**(HATZ 1D81S-325 DIESEL ENGINE)**

Revision #10 (08/01/22)



THIS MANUAL MUST ACCOMPANY THE EQUIPMENT AT ALL TIMES.

# PARTS FINDER

**Search Website  
by Part Number**



**Search Manual  
Library For Parts  
Manual & Lookup Part  
Numbers – Purchase  
or Request Quote**

**Search Manuals**

Enter your information to help us find the right parts manual for your machine.

\* Brand:

\* Model:

\* Serial:

\* Part Number:

SEARCH

**Can't Find Part or  
Manual? Request Help  
by Manufacturer,  
Model & Description**

**Parts Order Form**

Please fill in the following information to help us find the right part for your machine.

Manufacturer:	<input type="text"/>
Model:	<input type="text"/>
Description:	<input type="text"/>
Part Number:	<input type="text"/>
Quantity:	<input type="text"/>
Notes:	<input type="text"/>

Discount-Equipment.com is your online resource for quality parts & equipment.

Florida: **561-964-4949** Outside Florida TOLL FREE: **877-690-3101**

**Need parts?**

Click on this link: <http://www.discount-equipment.com/category/5443-parts/> and choose one of the options to help get the right parts and equipment you are looking for. Please have the machine model and serial number available in order to help us get you the correct parts. If you don't find the part on the website or on one of the online manuals, please fill out the request form and one of our experienced staff members will get back to you with a quote for the right part that your machine needs.

We sell worldwide for the brands: Genie, Terex, JLG, MultiQuip, Mikasa, Essick, Whiteman, Mayco, Toro Stone, Diamond Products, Generac Magnum, Airman, Haulotte, Barreto, Power Blanket, Nifty Lift, Atlas Copco, Chicago Pneumatic, Allmand, Miller Curber, Skyjack, Lull, Skytrak, Tsurumi, Husquvarna Target, Stow, Wacker, Sakai, Mi-T-M, Sullair, Basic, Dynapac, MBW, Weber, Bartell, Bennar Newman, Haulotte, Ditch Runner, Menegotti, Morrison, Contec, Buddy, Crown, Edco, Wyco, Bomag, Laymor, EZ Trench, Bil-Jax, F.S. Curtis, Gehl Pavers, Heli, Honda, ICS/PowerGrit, IHI, Partner, Imer, Clipper, MMD, Koshin, Rice, CH&E, General Equipment, Amida, Coleman, NAC, Gradall, Square Shooter, Kent, Stanley, Tamco, Toku, Hatz, Kohler, Robin, Wisconsin, Northrock, Oztec, Toker TK, Rol-Air, APT, Wylie, Ingersoll Rand / Doosan, Innovatech, Con X, Ammann, Mecalac, Makinex, Smith Surface Prep, Small Line, Wanco, Yanmar

# TABLE OF CONTENTS

## MVH508DZ Reversible Plate Compactor

Table Of Contents.....	2
Explanation Of Code In Remarks Column.....	4
Suggested Spare Parts .....	5

### Compactor Component Drawings

Nameplate And Decals Assembly .....	6-7
Vibrating Plate Assembly.....	8-9
Vibrator Assembly .....	10-13
Base And Engine Assembly .....	14-17
Electric Device Assembly .....	18-21
Control Assembly .....	22-25
Hydraulic Hand Pump Assembly.....	26-27

## Hatz 1D81S Engine Component Drawings

Spare Parts Kit Assembly.....	28-29
Accessories Assembly.....	30-31
Crankcase 1 Assembly.....	32-33
Crankcase 2 Assembly.....	34-35
Crankshaft Bearing Flange Assembly.....	36-37
Camshaft Assembly.....	38-39
Piston Assembly.....	40-41
Cylinder Head Assembly .....	42-45
Pushrod, Flywheel Assembly .....	46-47
Oil Pump, Governor Assembly .....	48-49
Timing Cover Assembly.....	50-51
Fuel Pump Assembly.....	52-53
Air Ducting Assembly .....	54-55
Speed Control Assembly .....	56-57
Fuel Tank Assembly.....	58-59
Air Filter Assembly.....	60-61
Muffler Assembly .....	62-63
Starting Handle Assembly .....	64-65
Starting Motor Assembly .....	66-67
Spec. Equipment Assembly.....	68-69

### NOTICE

Specifications and part numbers are subject to change without notice.

# EXPLANATION OF CODE IN REMARKS COLUMN

The following section explains the different symbols and remarks used in the Parts section of this manual. Use the help numbers found on the back page of the manual if there are any questions.

## NOTICE

The contents and part numbers listed in the parts section are subject to change **without notice**. Multiquip does not guarantee the availability of the parts listed.

## SAMPLE PARTS LIST

NO.	PART NO.	PART NAME	QTY.	REMARKS
1	12345	BOLT .....	1	INCLUDES ITEMS W/%
2%		WASHER, 1/4 IN. ....		NOT SOLD SEPARATELY
2%	12347	WASHER, 3/8 IN. ...	1	MQ-45T ONLY
3	12348	HOSE .....	A/R	MAKE LOCALLY
4	12349	BEARING .....	1	S/N 2345B AND ABOVE

## NO. Column

**Unique Symbols** — All items with same unique symbol (@, #, +, %, or >) in the number column belong to the same assembly or kit, which is indicated by a note in the “Remarks” column.

**Duplicate Item Numbers** — Duplicate numbers indicate multiple part numbers, which are in effect for the same general item, such as different size saw blade guards in use or a part that has been updated on newer versions of the same machine.

## NOTICE

When ordering a part that has more than one item number listed, check the remarks column for help in determining the proper part to order.

## PART NO. Column

**Numbers Used** — Part numbers can be indicated by a number, a blank entry, or TBD.

TBD (To Be Determined) is generally used to show a part that has not been assigned a formal part number at the time of publication.

A blank entry generally indicates that the item is not sold separately or is not sold by Multiquip. Other entries will be clarified in the “Remarks” Column.

## QTY. Column

**Numbers Used** — Item quantity can be indicated by a number, a blank entry, or A/R.

A/R (As Required) is generally used for hoses or other parts that are sold in bulk and cut to length.

A blank entry generally indicates that the item is not sold separately. Other entries will be clarified in the “Remarks” Column.

## REMARKS Column

Some of the most common notes found in the “Remarks” Column are listed below. Other additional notes needed to describe the item can also be shown.

**Assembly/Kit** — All items on the parts list with the same unique symbol will be included when this item is purchased.

Indicated by:

“INCLUDES ITEMS W/(unique symbol)”

**Serial Number Break** — Used to list an effective serial number range where a particular part is used.

Indicated by:

“S/N XXXXX AND BELOW”

“S/N XXXX AND ABOVE”

“S/N XXXX TO S/N XXX”

**Specific Model Number Use** — Indicates that the part is used only with the specific model number or model number variant listed. It can also be used to show a part is NOT used on a specific model or model number variant.

Indicated by:

“XXXXX ONLY”

“NOT USED ON XXXX”

**“Make/Obtain Locally”** — Indicates that the part can be purchased at any hardware shop or made out of available items. Examples include battery cables, shims, and certain washers and nuts.

**“Not Sold Separately”** — Indicates that an item cannot be purchased as a separate item and is either part of an assembly/kit that can be purchased, or is not available for sale through Multiquip.

## SUGGESTED SPARE PARTS

### MVH508DZ PLATE COMPACTOR WITH 1D81S-325 DIESEL ENGINE

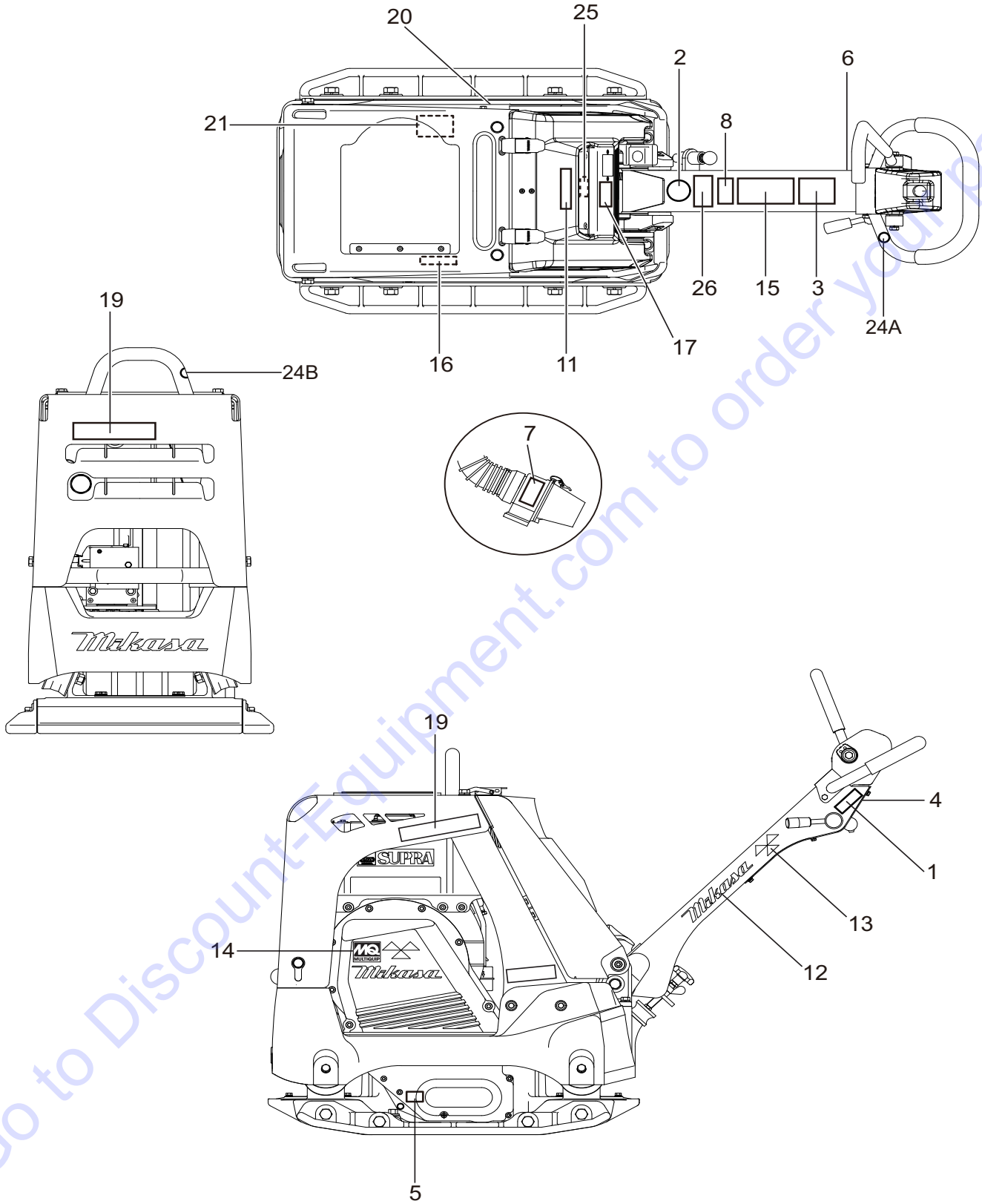
#### 1 to 5 units

Qty.	P/N	Description
4	.....070200483	.....V-BELT
4	.....939010010	.....SHOCK ABSORBER, STOPPER
3	.....50478800	.....FUEL FILTER, IN-LINE
4	.....939010370	.....SHOCK ABSORBER
1	.....50384401	.....IGNITION SWITCH
3	.....50404900	.....KEY, IGNITION SWITCH
1	.....50385801	.....CAP, FUEL TANK
1	.....50387300	.....FUEL SIEVE
3	.....01493000	.....ELEMENT, AIR FILTER
3	.....01480001	.....ELEMENT, OIL FILTER W/ O-RING
1	.....50272201	.....OIL PRESSURE SWITCH

#### NOTICE

Part numbers on this Suggested Spare Parts list may supersede/replace the part numbers shown in the following parts lists.

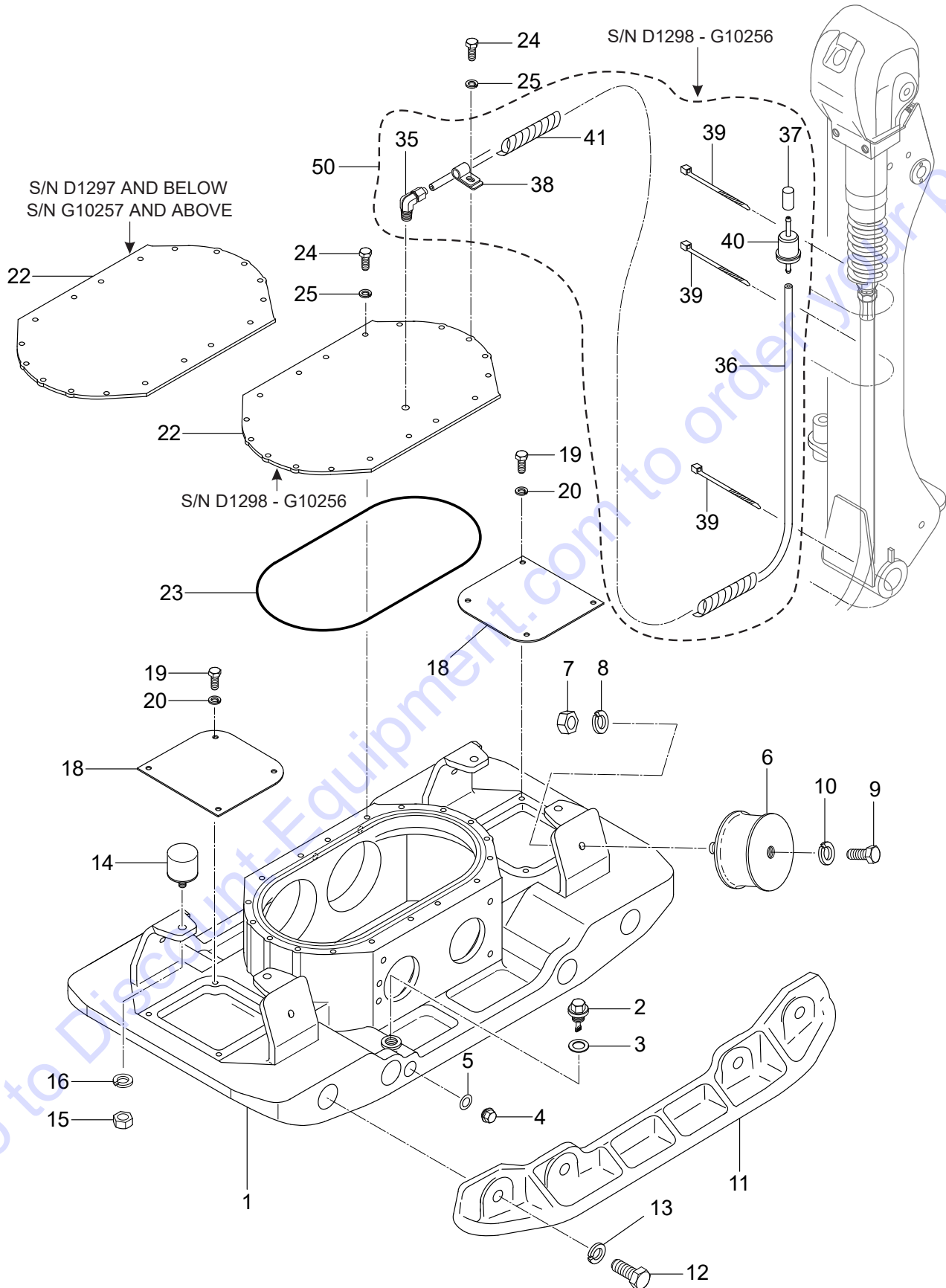
# NAMEPLATE AND DECALS ASSY.



## NAMEPLATE AND DECALS ASSY.

<u>NO.</u>	<u>PART NO.</u>	<u>PART NAME</u>	<u>QTY.</u>	<u>REMARKS</u>
1	920204580	DECAL, FULL THROTTLE	1	
2	920203330	DECAL, EAR PROTECTION	1	
3	920211060	DECAL, CAUTION LEVER	1	
4	920211090	DECAL, SHELL TELLUS OIL 32	1	
5	920201950	DECAL, OIL SAE 10W-30	1	
6	920106760	DECAL, STOP-RUN-START	1	
7	920214200	DECAL, CAUTION CYCLONE	1	
8	920214100	DECAL, E/G FIRE WARNING	1	
12	920217130	DECAL, MIKASA MARK(W) 200L	2	
13	920217110	DECAL, MIKASA MARK 35X70	2	
14	920201580	DECAL, MQ MARK 71X55	1	
15	920218390	DECAL, CAUTION	1	
16	920217700	DECAL, V-BELT HDPF-5480	1	
17	920218150	DECAL, E/G RPM 2400	1	
19	920217810	DECAL, MODEL (R)	2	
20	920217820	DECAL, MODEL (L)	1	
21		PLATE, SERIAL NO.	1	
24A	920900090	DECAL, SET, DO NOT LIFT	1	
24B	920900090	DECAL, SET, LIFTING POSITION	1	
25	920217890	DECAL, MODEL MVH-508	1	
26	920222240	DECAL, WARNING PROPOSITION 65	1	

# VIBRATING PLATE ASSY.





## VIBRATING PLATE ASSY.

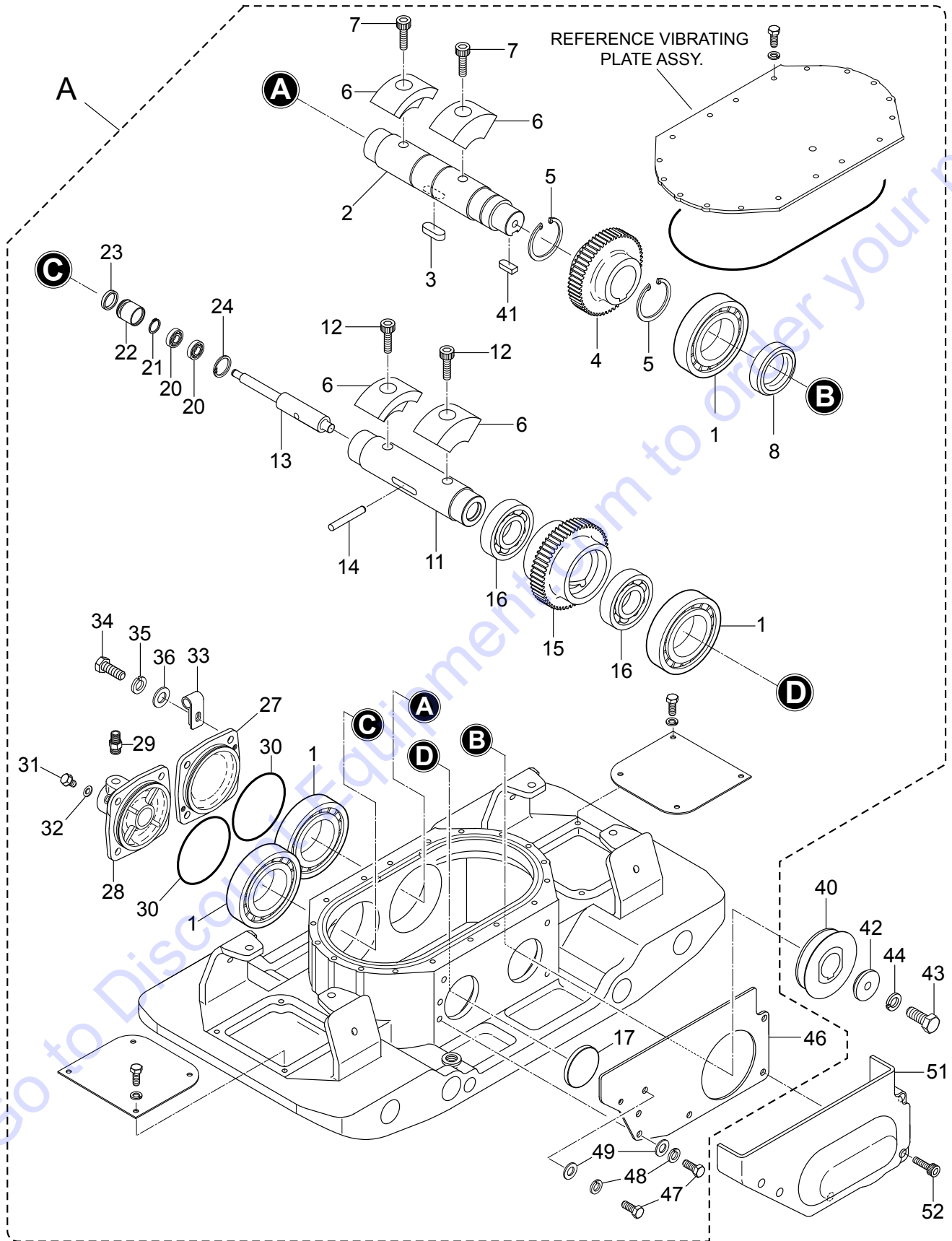
<u>NO.</u>	<u>PART NO.</u>	<u>PART NAME</u>	<u>QTY.</u>	<u>REMARKS</u>
1	468121201	VIBRATING PLATE	1	
2	465460670	OIL GAUGE	1	
3	953402930	COPPER PACKING	1	
4	953400270	PLUG	1	
5	953405260	PACKING 1/4	1	
6	939010392	SHOCK ABSORBER	4	
7	020316130	NUT M16	4	
8	030216400	WASHER, LOCK M16	4	
9	001221635	BOLT 16X35	4	
10	030216400	WASHER, LOCK M16	4	
11	467219050	EXTENSION PLATE	2	
12	012218050	BOLT 18X50 .....	8.....	REPLACES P/N 001221850
13	58407	WASHER, LOCK M18 .....	8.....	REPLACES P/N 030218460
14	939010010	SHOCK ABSORBER, STOPPER	4	
15	020310080	NUT M10	4	
16	030210250	WASHER, LOCK M10	4	
18	468352110	COVER, VIBRATING PLATE	2	
19	014208020	BOLT 8X20 .....	8.....	REPLACES P/N 001220820
20	030208200	WASHER, LOCK M8	8	
22	467351790	COVER, VIBRATOR .....	1.....	S/N D1297 AND BELOW
22	467355940	COVER, VIBRATOR, BREATHER .....	1.....	S/N D1298 - G10266
22	467351790	COVER, VIBRATOR.....	1.....	S/N G10267 AND ABOVE
23	050103250	O-RING	1	
24	014208020	BOLT 8X20.....	18.....	REPLACES P/N 001220820
25	030208200	WASHER, LOCK M8	18	
35#	954410070	90° ELBOW.....	1.....	S/N D1298 - G10266
36#	959029202	TUBE, NYLON.....	1.....	S/N D1298 - G10266
37#	467471710	ELEMENT, BREATHER .....	1.....	S/N D1298 - G10266
38#	959408920	CLIP, M8.....	1.....	S/N D1298 - G10266
39#	507010110	CLAMP.....	3.....	S/N D1298 - G10266
40#	16910GB2005	FUEL FILTER, IN-LINE.....	1.....	S/N D1298 - G10266
41#	959021810	SPRIAL TUBE.....	1.....	S/N D1298 - G10266
50	469910040	AIR BREATHER TUBE .....	1.....	INCLUDES ITEMS W/# S/N D1298 - G10266



## VIBRATOR ASSY.

<u>NO.</u>	<u>PART NO.</u>	<u>PART NAME</u>	<u>QTY.</u>	<u>REMARKS</u>
A	469910030	VIBRATING PLATE ASSY.....	1.....	INCLUDES ITEMS W/# S/N D1297 AND BELOW
A	469910031	VIBRATING PLATE ASSY.....	1.....	INCLUDES ITEMS W/% S/N D1298 - G10266
A	469910032	VIBRATING PLATE ASSY.....	1.....	INCLUDES ITEMS W/\$ S/N G10267 AND ABOVE
1#%\$	047920120	ROLLER BEARING	4	
2#	456331060	ROTARY SHAFT, DRIVE .....	1.....	S/N D1297 AND BELOW
2%	467355910	ROTARY SHAFT, DRIVE .....	1.....	S/N D1298 - G10266
2%\$	467910070	ROTARY SHAFT, DRIVE .....	1.....	S/N G10267 AND ABOVE
3#%\$	951405370	KEY 15X10X39	1	
4#%\$	456327150	GEAR, DRIVE	1	
5#%\$	080200550	STOP RING	2	
6#%\$	469352310	ECCENTRIC ROTATOR	4	
7#%\$	009120301	SOCKET HEAD BOLT 16X40	2	
8#	060105030	OIL SEAL .....	1.....	S/N D1297 AND BELOW
8%\$	060405040	OIL SEAL .....	1.....	S/N D1298 AND ABOVE
11#%\$	456337670	ROTARY SHAFT, DRIVEN	1	
12#%\$	009120302	SOCKET HEAD BOLT 16X30	2	
13#%\$	456337380	PISTON ROD	1	
14#%\$	456010010	KNOCK PIN 10X70	1	
15#%\$	467351910	GEAR (DRIVEN)	1	
16#%\$	040306911	BEARING	2	
17#%\$	953010030	SEAL CAP	1	
20#%\$	042506000	BEARING 6000ZZSG	2	
21#%\$	0080000010	STOP RING .....	1.....	REPLACES P/N 080200100
22#%\$	455435051	PISTON	1	
23#%\$	455010070	PACKING	1	
24#%\$	080100260	STOP RING	1	
27#%\$	467352540	BEARING COVER	1	
28#%\$	467219070	CYLINDER (R)	1	
29#%\$	954010020	CONNECTOR PT, PF 1/4	1	
30#%\$	050101050	O-RING	2	
31#%\$	001720812	FLANGE BOLT 8X12	1	
32#%\$	953404600	COPPER PACKING	1	
33#%\$	959408880	CLIP 15 (M10)	1	
34#%\$	0105091025	BOLT 10X25.....	8.....	REPLACES P/N 001221025
35#%\$	030210250	WASHER, LOCK M10	8	
36#%\$	031110160	WASHER, FLAT M10	8	
40	469352320	PULLEY	1	
41#%\$	951404970	KEY 12X8X30	1	
42	456437920	WASHER, PULLEY.....	1.....	S/N G10266 AND BELOW
42	468474700	WASHER, PULLEY.....	1.....	S/N G10267 AND ABOVE
43	012212035	BOLT 12X35.....	1.....	REPLACES P/N 001221235
44	030212300	WASHER, LOCK M12	1	
46#%\$	467351920	GUIDE, BELT COVER	1	

# VIBRATOR ASSY. (CONT'D.)

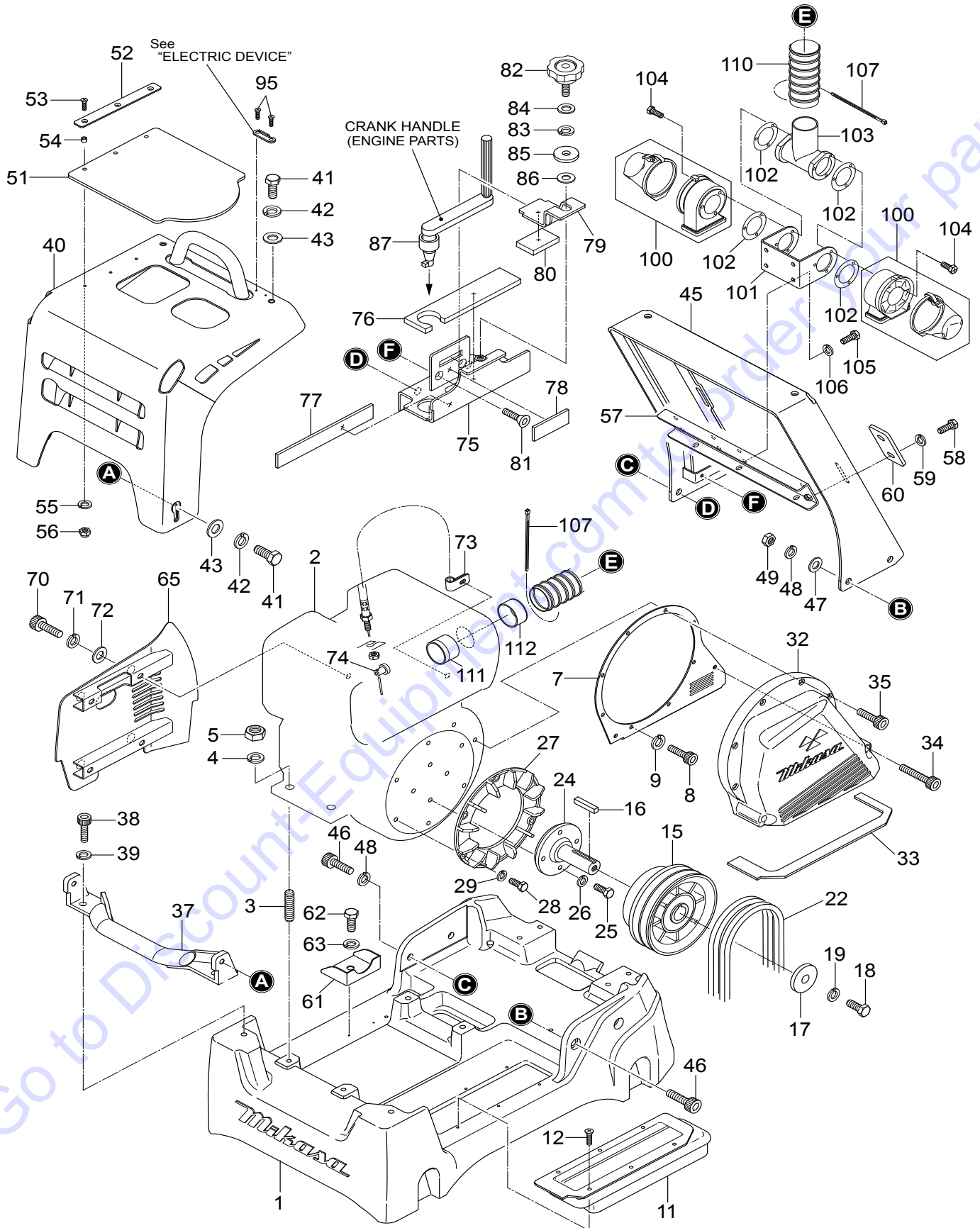


## VIBRATOR ASSY. (CONT'D.)

<u>NO.</u>	<u>PART NO.</u>	<u>PART NAME</u>	<u>QTY.</u>	<u>REMARKS</u>
47#%\$	014208020	BOLT 8X20.....	2.....	REPLACES P/N 001220820
48#%\$	030208200	WASHER, LOCK M8	2	
49#%\$	0401450080	WASHER, FLAT M8 .....	2.....	REPLACES P/N 031108160
51	469219030	BELT COVER, LOWER	1	
52	001520860	SOCKET HEAD BOLT 8X100	5	

Go to Discount-Equipment.com to order your parts

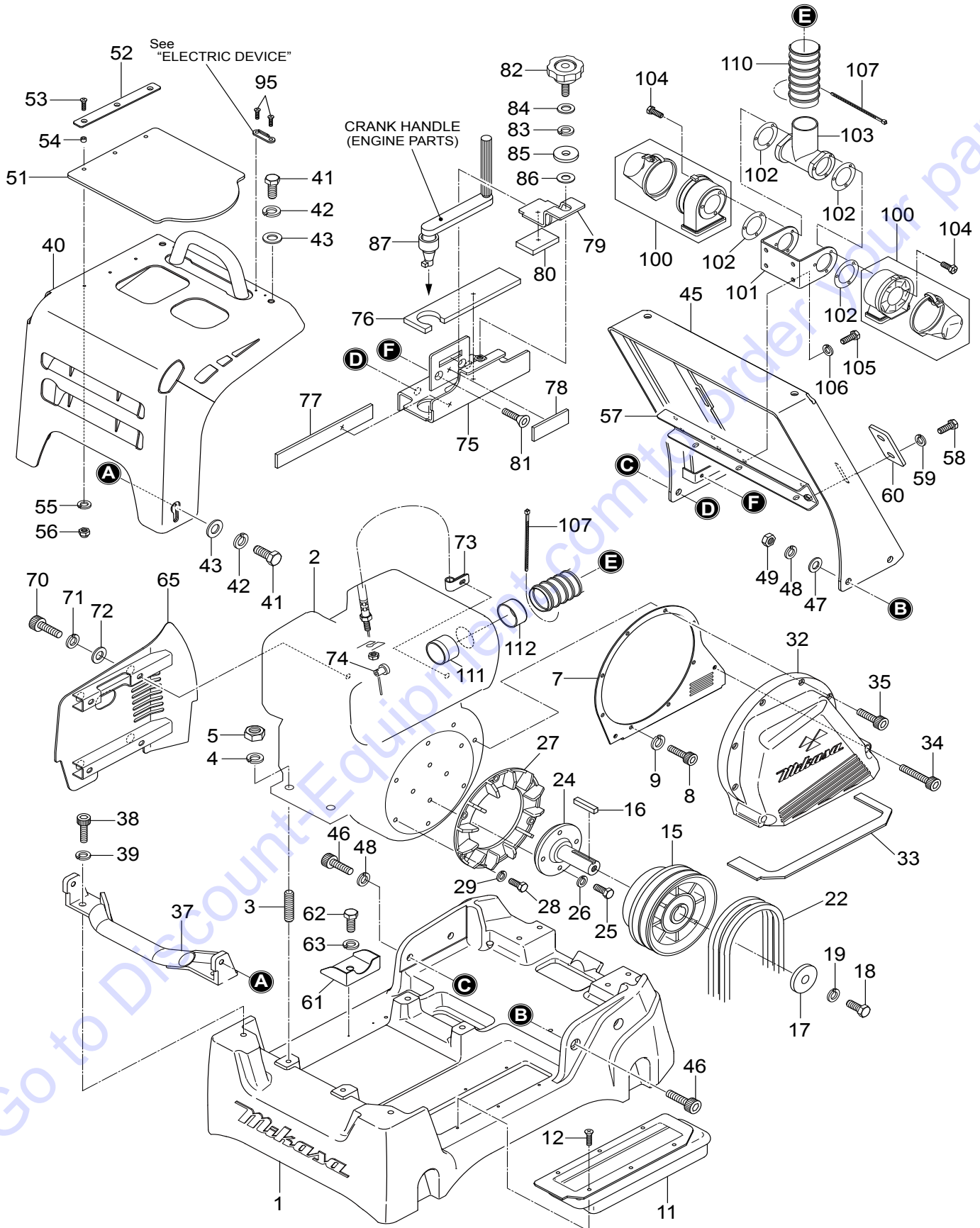
# BASE AND ENGINE ASSY.



## BASE AND ENGINE ASSY.

<u>NO.</u>	<u>PART NO.</u>	<u>PART NAME</u>	<u>QTY.</u>	<u>REMARKS</u>
1	469121280	BASE	1	
2	918401200	ENGINE ASSY.	1	
3	009120205	STUD BOLT 12X25	4	
4	030212300	WASHER, LOCK M12	4	
5	0039312000	NUT M12 .....	4	REPLACES P/N 020312100
7	469352260	BELT COVER, IN	1	
8	014210020	SOCKET HEAD BOLT 10X20.....	3	REPLACES P/N 001521020
9	030210250	WASHER, LOCK M10	3	
11	469218980	DUST COVER	1	
12	092006010	FLAT HEAD SCREW 6X10	6	
15	469352390	CLUTCH ASSY.	1	
16	951010130	KEY 7X7X49	1	
17	952401390	WASHER 11X40X6	1	
18	0105091025	BOLT 10X25.....	1	REPLACES P/N 001221025
19	030210250	WASHER, LOCK M10	1	
22	070200483	V-BELT, HDPF-5480	2	
24	457339571	STUB SHAFT FAN	1	
25	011208030	BOLT 8X30.....	4	REPLACES P/N 001220830
26	030208200	WASHER, LOCK M8	4	
27	457336380	FAN	1	
28	014208020	BOLT 8X20.....	6	REPLACES P/N 001220820
29	030208200	WASHER, LOCK M8	6	
32	469218990	BELT COVER (OUT)	1	
33	469352270	DUST SPONGE (OUT)	1	
34	001521058	SOCKET HEAD BOLT 10X90	2	
35	001521045	SOCKET HEAD BOLT 10X45	5	
37	469352280	FRONT BUMPER	1	
38	001521435	SOCKET HEAD BOLT 14X35	2	
39	030214350	WASHER, LOCK M14	2	
40	469121290	FRONT COVER	1	
41	001221435	BOLT 14X35 T	4	
42	030214350	WASHER, LOCK M14	4	
43	031114260	WASHER, FLAT M14	4	
45	469219330	CENTER COVER	1	
46	001521440	SOCKET HEAD BOLT 14X40	4	
47	031114260	WASHER, FLAT M14	2	
48	030214350	WASHER, LOCK M14	4	
49	020314110	NUT M14	2	
51	468466890	RUBBER COVER, UPPER	1	
52	467466760	STOPPER COVER	1	
53	009120424	SOCKET HEAD BOLT 6X25	3	
54	617465130	COLLAR 6.2X7.8X4.5	3	
55	030206150	WASHER, LOCK M6	3	
56	022710607	NYLON NUT M6	3	

# BASE AND ENGINE ASSY. (CONT'D.)

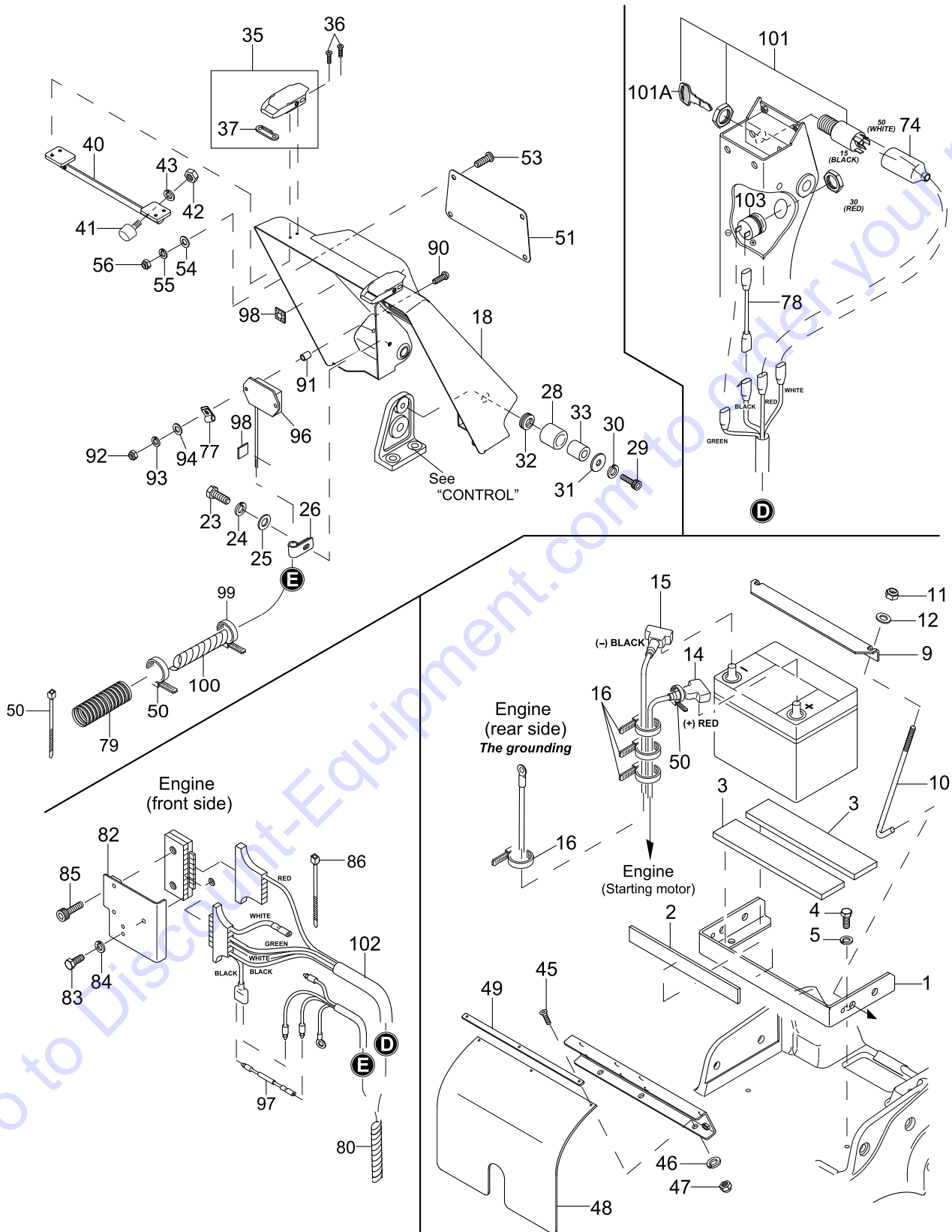




## BASE AND ENGINE ASSY. (CONT'D.)

<u>NO.</u>	<u>PART NO.</u>	<u>PART NAME</u>	<u>QTY.</u>	<u>REMARKS</u>
57	469352890	CLEANER STAY	1	
58	011208025	BOLT 8X25.....	4	REPLACES P/N 001220825
59	030208200	WASHER, LOCK M8	4	
60	467467580	PLATE, CLEANER STAY	2	
61	469467000	GUIDE, DRAIN	1	
62	011008015	BOLT 8X15 .....	1	REPLACES P/N 001220815
63	030208200	WASHER, LOCK M8	1	
65	469219010	SIDE COVER	1	
70	001521251	SOCKET HEAD BOLT 12X55	4	
71	030212300	WASHER, LOCK M12	4	
72	031112230	WASHER, FLAT M12	4	
73	2067550101	CLAMP COMPLETE	1	
74	DH50642000	CLAMP	1	
75	469219120	HOLDER, CRANK HANDLE	1	
76	469467320	POLYURETHANE SEAT 222X50	1	
77	469467310	POLYURETHANE SEAT 220X30	1	
78	469467300	POLYURETHANE SEAT 80X30X5	1	
79	469352530	HOLDER, CRANK HANDLE	1	
80	469467330	POLYURETHANE SEAT 60X40	1	
81	009120408	SUNK HEAD BOLT 8X20	2	
82	959406961	GRIP BOLT 45X10X30	1	
83	030210250	WASHER, LOCK M10	1	
84	031110160	WASHER, FLAT M10	1	
85	952403450	WASHER 11X35X4.5	1	
86	952008940	SEAL WASHER 10X17X1.6	1	
87	469467190	RUBBER PIPE 25X33X20	1	
95	009120420	SOCKET HEAD BOLT 5X10	4	
100	466218080	CLEANER, CYCLONE	2	
101	469352300	CYCLONE STAY	1	
102	466462850	GASKET, AIR INTAKE	4	
103	469219020	JOINT CLEANER	1	
104	009110057	SOCKET HEAD BOLT 5X18	6	
105	011008015	BOLT 8X15 T.....	4	REPLACES P/N 001220815
106	030208200	WASHER, LOCK M8	4	
107	506010060	CLAMP	2	
110	466348590	DUCT HOSE 50X270	1	
111	469467010	INTAKE PIPE	1	
112	466462840	DUCT GROMMET	1	

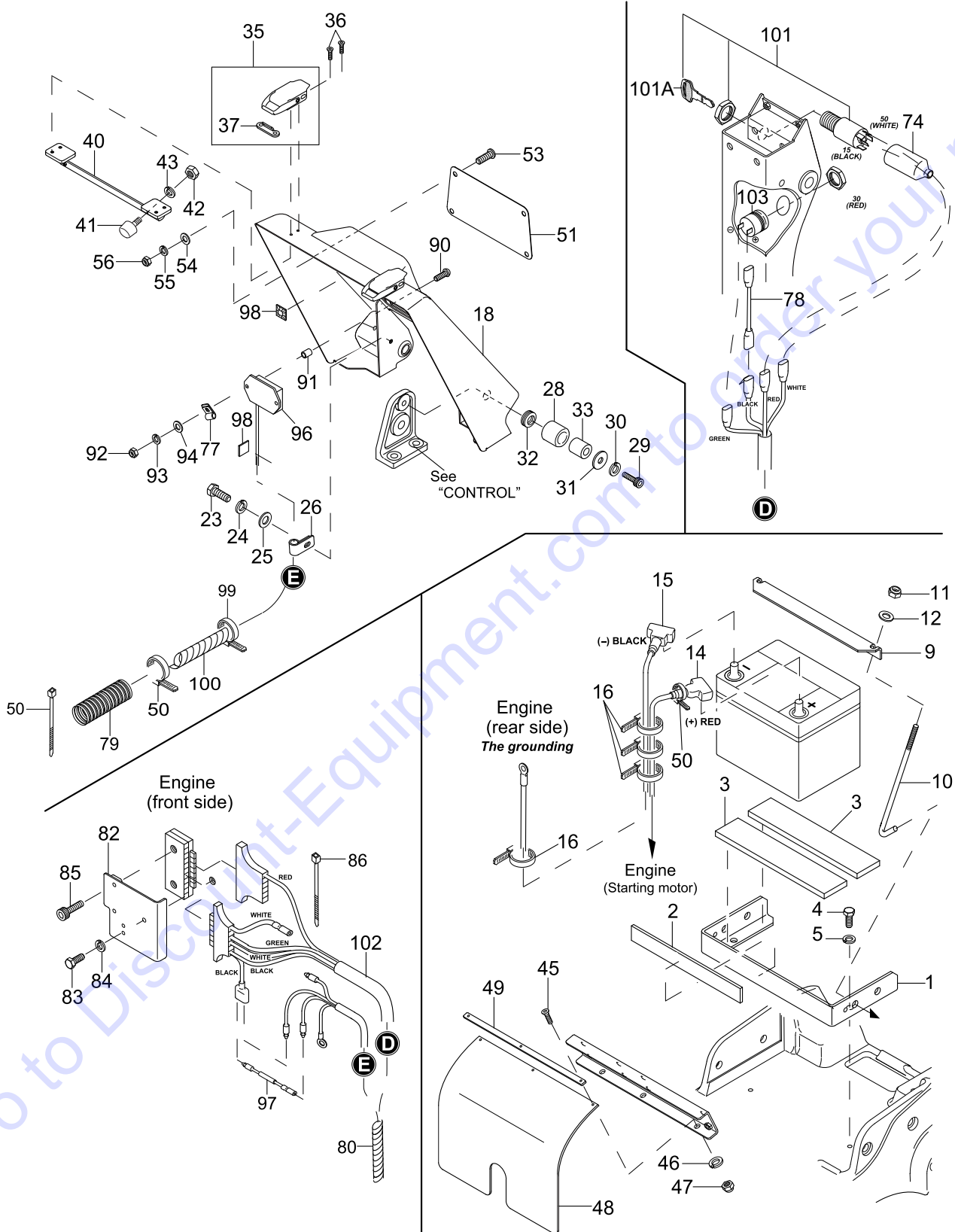
# ELECTRIC DEVICE ASSY.



## ELECTRIC DEVICE ASSY.

<u>NO.</u>	<u>PART NO.</u>	<u>PART NAME</u>	<u>QTY.</u>	<u>REMARKS</u>
1	467218920	BATTERY HOLDER	1	
2	456447590	RUBBER PLATE (E)	1	
3	456447600	RUBBER PLATE	2	
4	012210020	BOLT 10X20.....	2	REPLACES P/N 001221020
5	030210250	WASHER, LOCK M10	2	
9	464313740	HOLDER, BATTERY	1	
10	469467170	TIE-DOWN ROD, BATTERY	2	
11	022710809	NYLON NUT M8	2	
12	0401450080	WASHER, FLAT M8 .....	2	REPLACES P/N 031108160
14	955301030	BATTERY CABLE (+)	1	
15	955301040	BATTERY CABLE (-)	1	
16	506010070	CLAMP	4	
18	469121300	REAR COVER	1	
23	014208020	BOLT 8X20 T .....	1	REPLACES P/N 001220820
24	030208200	WASHER, LOCK M8	1	
25	0401450080	WASHER, FLAT M8 .....	1	REPLACES P/N 031108160
26	959408920	CLIP 8 (M8)	1	
28	404433430	RUBBER	2	
29	001521051	SOCKET HEAD BOLT 10X55	2	
30	030210250	WASHER, LOCK M10	2	
31	952403450	WASHER	2	
32	467467250	RUBBER WASHER	2	
33	417454420	COLLAR	2	
35	469467470	CATCH CLIP .....	2	INCLUDES ITEM W/\$
36	009120421	SOCKET HEAD BOLT 5X15	4	
37\$	169467480	HOLDER, CATCH CLIP	2	
40	469352340	BRACKET, STOPPER	1	
41	939010360	STOPPER, RUBBER	2	
42	020108060	NUT M8 .....	2	REPLACES P/N 020308060
43	030208200	WASHER, LOCK M8	2	
45	001220520	BOLT 5X20	3	
46	030205130	WASHER, LOCK M5	3	
47	022710506	NYLON NUT M5	3	
48	467466930	RUBBER PLATE, BATTERY	1	
49	467466920	STOPPER, RUB-PLATE	1	
50	454010020	CLAMP	7	

# ELECTRIC DEVICE ASSY. (CONT'D.)



## ELECTRIC DEVICE ASSY. (CONT'D.)

<u>NO.</u>	<u>PART NO.</u>	<u>PART NAME</u>	<u>QTY.</u>	<u>REMARKS</u>
51	467352050	PANEL, REAR COVER	1	
53	009110062	SOCKET HEAD SCREW 6X20	4	
54	952404470	WASHER, FLAT M6 .....	4	REPLACES P/N 031106100
55	030206150	WASHER, LOCK M6	4	
56	022710607	NYLON NUT M6	4	
74	470468770	PROTECTIVE COVER, IGNITION SWITCH .....	1	S/N E1491 AND ABOVE
77	954409880	CLAMP M6	1	
78	465459680	RELAY CABLE/BUZZER	1	
79	959026021	CORRUGATE TUBE	1	
80	959020014	SPIRAL TUBE	1	
82	469352400	PANEL, WITH BUZZER	1	
83	001220635	BOLT 6X35	1	
84	030206150	WASHER, LOCK M6	1	
85	001520530	SOCKET HEAD BOLT 5X30	2	
86	506010070	CLAMP	1	
90	009110072	PAN HEAD SCREW 5X35	2	
91	952407930	COLLAR 6X10X13.5	2	
92	022710506	NYLON NUT M5	2	
93	030205130	WASHER, LOCK M5	2	
94	58151	WASHER, FLAT M5 .....	2	REPLACES P/N 031105080
96	955301020	TACH. AND HOUR METER	1	
97	469467040	RESISTOR, TACH.	1	
98	955407970	WIRING FIXED BASE	2	
99	454010020	CLAMP M6	1	
100	959021813	SPIRAL TUBE 6D-650L	1	
101	50384401	IGNITION SWITCH W/ KEY .....	1	INCLUDES ITEM W/#
101A#	50404900	KEY, IGNITION SWITCH	1	
102	469352350	WIRE HARNESS	1	
103	50465100	BUZZER	1	



## CONTROL ASSY.

<u>NO.</u>	<u>PART NO.</u>	<u>PART NAME</u>	<u>QTY.</u>	<u>REMARKS</u>
1	467351950	HANDLE BRACKET (R)	1	
2	467351960	HANDLE BRACKET (L)	1	
3	012212035	BOLT 12X35.....	4	REPLACES P/N 001221235
4	030212300	WASHER, LOCK M12	4	
5	031112230	WASHER, FLAT M12	4	
7	456336400	RUBBER COUPLING	2	
8	456449940	SHOCK ABSORBER	2	
9	025306016	SPRING PIN 6X16 .....	2	REPLACES P/N 025406016
10	456449930	RUBBER PLATE	2	
11	032124400	CONICAL WASHER LOCK M24	2	
12	001221681	BOLT 16X250	1	
13	0401450160	WASHER, FLAT M16 .....	2	REPLACES P/N 031116260
14	020316130	NUT M16	1	
15	020416100	NUT M16	1	
16	467121170	HANDLE BAR	1	
18	455434950	SPINDLE	1	
19	455010030	KNOB	1	
20	020412070	NUT M12	1	
21	022411635	WING NUT M16	1	
22	939010060	SHOCK ABSORBER	1	
23	020310080	NUT M10.....	1	REPLACES P/N 020410060
25	959408930	CLIP	1	
26	011206020	BOLT 6X20.....	1	REPLACES P/N 001220620
27	030206150	WASHER, LOCK M6	1	
28	952404470	WASHER, FLAT M6 .....	1	REPLACES P/N 031106100
29	020106050	NUT M6 .....	1	REPLACES P/N 020306050
34	501402870	HANDLE STOPPER	1	
35	501402880	SPRING/HANDLE	1	
36	959403460	BALL GRIP	1	
37	020310080	NUT M10.....	1	REPLACES P/N 020410060
38	456449980	RUBBER PACKING	1	
39	953405260	PACKING 1/4	1	
40	031110160	WASHER, FLAT M10	1	
43	467351970	HANDLE COVER	1	
43	467351970	HANDLE COVER	1	





## CONTROL ASSY. (CONT'D.)

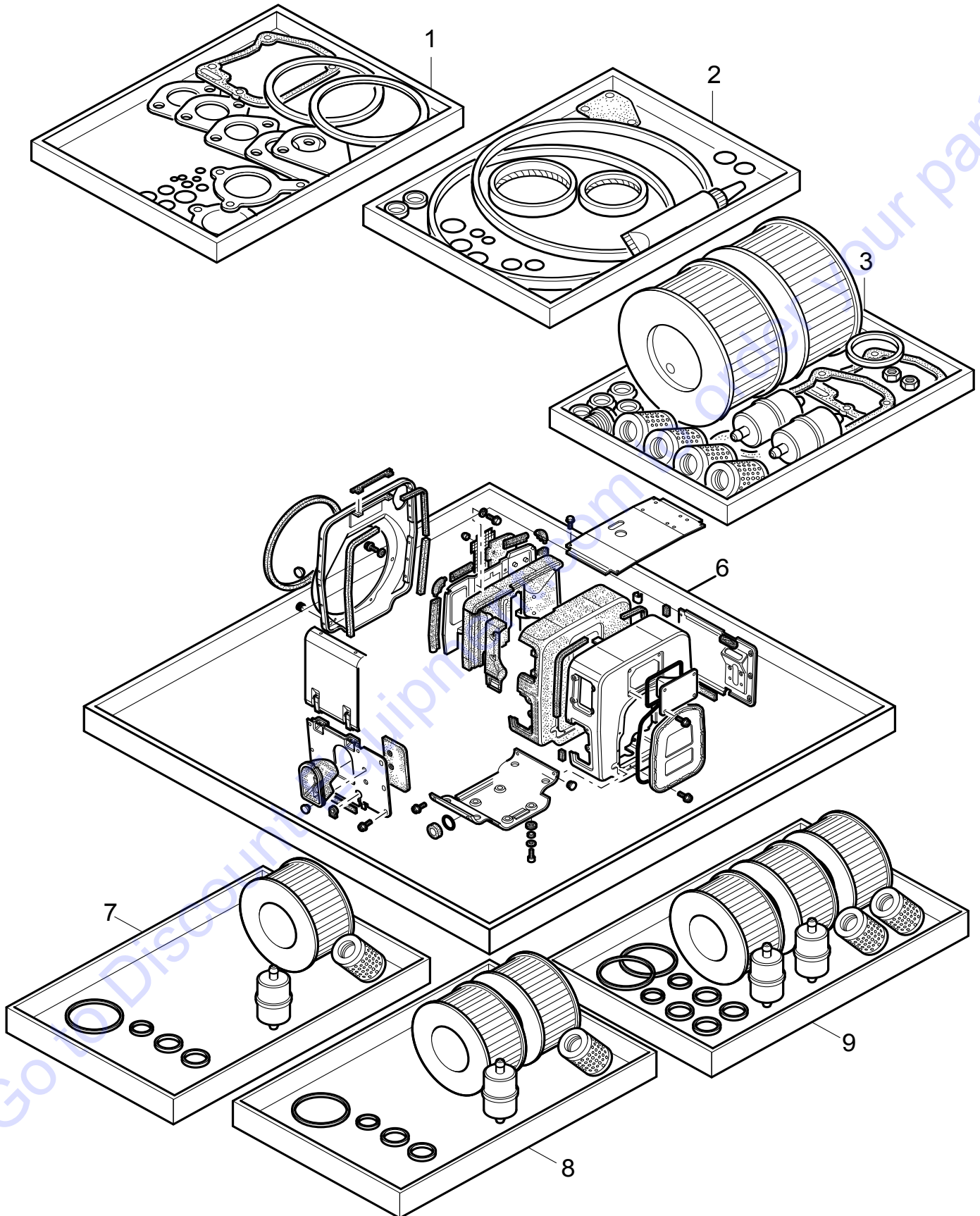
<u>NO.</u>	<u>PART NO.</u>	<u>PART NAME</u>	<u>QTY.</u>	<u>REMARKS</u>
44	467467340	PACKING (L), HANDLE	1	
45	467467350	PACKING (R), HANDLE	1	
46	0105050616	BOLT 6X15 T .....	6	REPLACES P/N 001220615
47	030206150	WASHER, LOCK M6	6	
48	952404470	WASHER, FLAT M6 .....	6	REPLACES P/N 031106100
49	464457930	RUBBER PIECE	1	
50	469219180	HYDRAULIC PUMP	1	
51	954003100	OIL HOSE	1	
52	458451630	BREATHER CAP	1	
53	959021813	SPIRAL TUBE	1	
55A	464216630	TRAVEL LEVER, RIGHT .....	1	S/N 1132 AND BELOW
55B	464216820	TRAVEL LEVER, RIGHT .....	1	S/N 1133 AND ABOVE
55C	464216830	TRAVEL LEVER, LEFT .....	1	S/N 1133 AND ABOVE
56	464457400	HANDLE BOSS .....	1	S/N 1132 AND BELOW
57	012010030	BOLT 10X30.....	2	REPLACES P/N 001221030
58	030210250	WASHER, LOCK M10	2	
59	467218900	GRIP	1	
60	030210250	WASHER, LOCK M10	2	
61	031110160	WASHER, FLAT M10	2	
62	020310080	NUT M10	2	
63	0105091025	BOLT 10X25.....	2	REPLACES P/N 001221025
64	030210250	WASHER, LOCK M10	2	
67	469466970	THROTTLE LEVER	1	
68	959403840	BAR GRIP, I.D.	1	
69	464457420	COVER , THROTTLE LEVER	1	
70	464457350	ARM, THROTTLE	1	
71	014208020	SOCKET HEAD BOLT 8X20.....	1	REPLACES P/N 001520820
72	952408950	WASHER	1	
73	952409020	WASHER	1	
74	033910080	CONICAL WASHER, LOCK	3	
75	464457440	STEEL BALL	1	
76	464010010	DRY BUSHING	1	
77	011606025	BOLT 6X25.....	2	REPLACES P/N 001220625
78	020106050	NUT M6 .....	2	REPLACES P/N 020306050
80	464010020	ROD END M5	1	
81	001520520	SOCKET HEAD BOLT 5X20	1	
82	58151	WASHER, FLAT M5 .....	1	REPLACES P/N 031105080
83	020305040	NUT M5	1	
84	956100071	THROTTLE WIRE	1	
85	454010020	CLAMP	1	



## HYDRAULIC HAND PUMP ASSY.

<u>NO.</u>	<u>PART NO.</u>	<u>PART NAME</u>	<u>QTY.</u>	<u>REMARKS</u>
1	469219180	HAND PUMP .....	1.....	INCLUDES ITEMS W/#
2#	469910020	ACCUMULATOR.....	1.....	INCLUDES ITEMS W/\$ NOT SOLD SEPARATELY
3	464910080	SEAL KIT .....	1.....	INCLUDES ITEMS W/%
4#	464010040	CONTROL SHAFT	1	
5#	467010020	BUSH.....	2.....	INCLUDES ITEMS W/@
6#	464010060	CAM	1	
7#	464010070	STOPPER	2	
8#	099205005	SCREW, SOCKET HEAD	2	
9#	464010080	PLUG.....	1.....	INCLUDES ITEMS W/*
10#	464010090	PIN, STOPPER	2	
11#	464010100	PLUG	2	
12#	458010080	BREATHER.....	1.....	INCLUDES ITEMS W/^
13#	001520620	BOLT, SOCKET HEAD.....	1.....	REPLACES P/N 001520620
14@%#	050200200	O-RING, P-20	2	
15@%#	050210220	O-RING, P-22 .....	2.....	REPLACES P/N 050200220
16*%#	050300380	O-RING, S-38	1	
17^%#	050200180	O-RING, P-18	1	
18\$#	464010111	CASE, ACCUMULATOR.....	1.....	INCLUDES ITEMS W/&
19\$%#	050300400	O-RING, S-40	1	
20\$&%#	050200150	O-RING, P-15	1	
21\$&%#	050100400	O-RING, G-40	1	
22\$#	464010120	PLUG, SPRING	1	
23#	458451630	CAP, BREATHER	1	
24\$&%#	069904010	SEAL, SER-40	1	
25\$&%#	069901010	SEAL, SER-15	1	
26\$#	468910030	SPRING, ACCUMULATOR	1	
27	984010060	SPRING COMPRESSION, TOOL	1	
28	984010040	TOOL A, DISASSEMBLING	1	
29	984010050	TOOL B, DISASSEMBLING	1	

# HATZ 1D81S-325 ENGINE SPARE PARTS KIT ASSY.



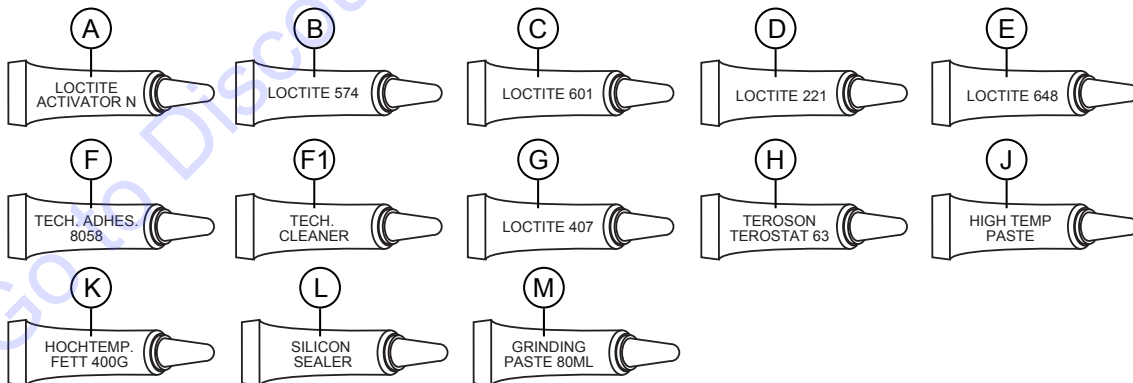
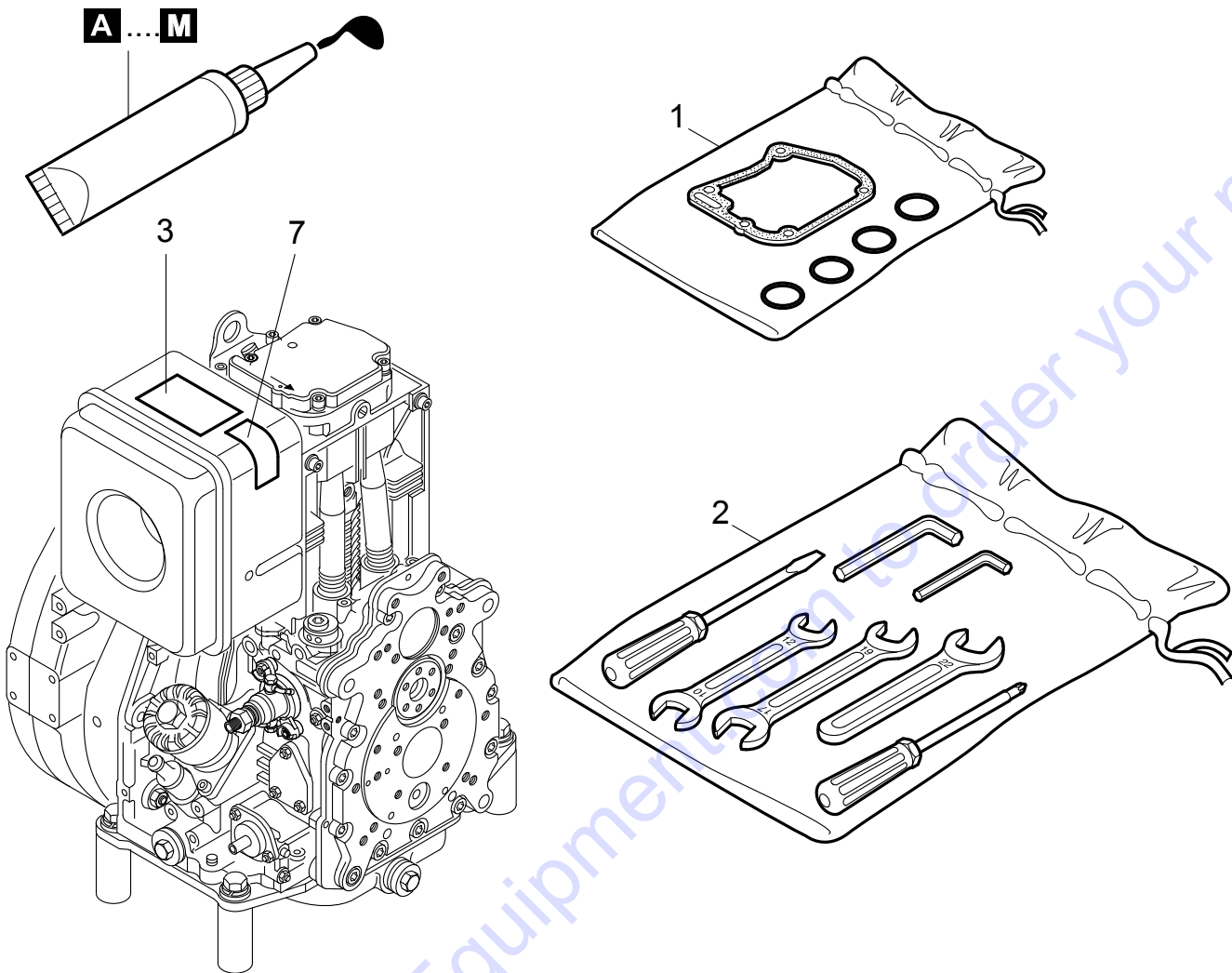
## HATZ 1D81S-325 ENGINE SPARE PARTS KITS ASSY.

---

<u>NO.</u>	<u>PART NO.</u>	<u>PART NAME</u>	<u>QTY.</u>	<u>REMARKS</u>
1	1517802	GASKET SET, CYLINDER HEAD	1	
2	1249322	GASKET SET, CRANK CASE	1	
3	1249410	MAINTENANCE KIT, 1000H	1	
6	1942000	REPAIR SET, CAPSULE	1	
7	2265300	FILTER KIT, LIGHT	1	
8	2268500	FILTER KIT, MEDIUM	1	
9	2269600	FILTER KIT, HEAVY	1	

Go to Discount-Equipment.com to order your parts

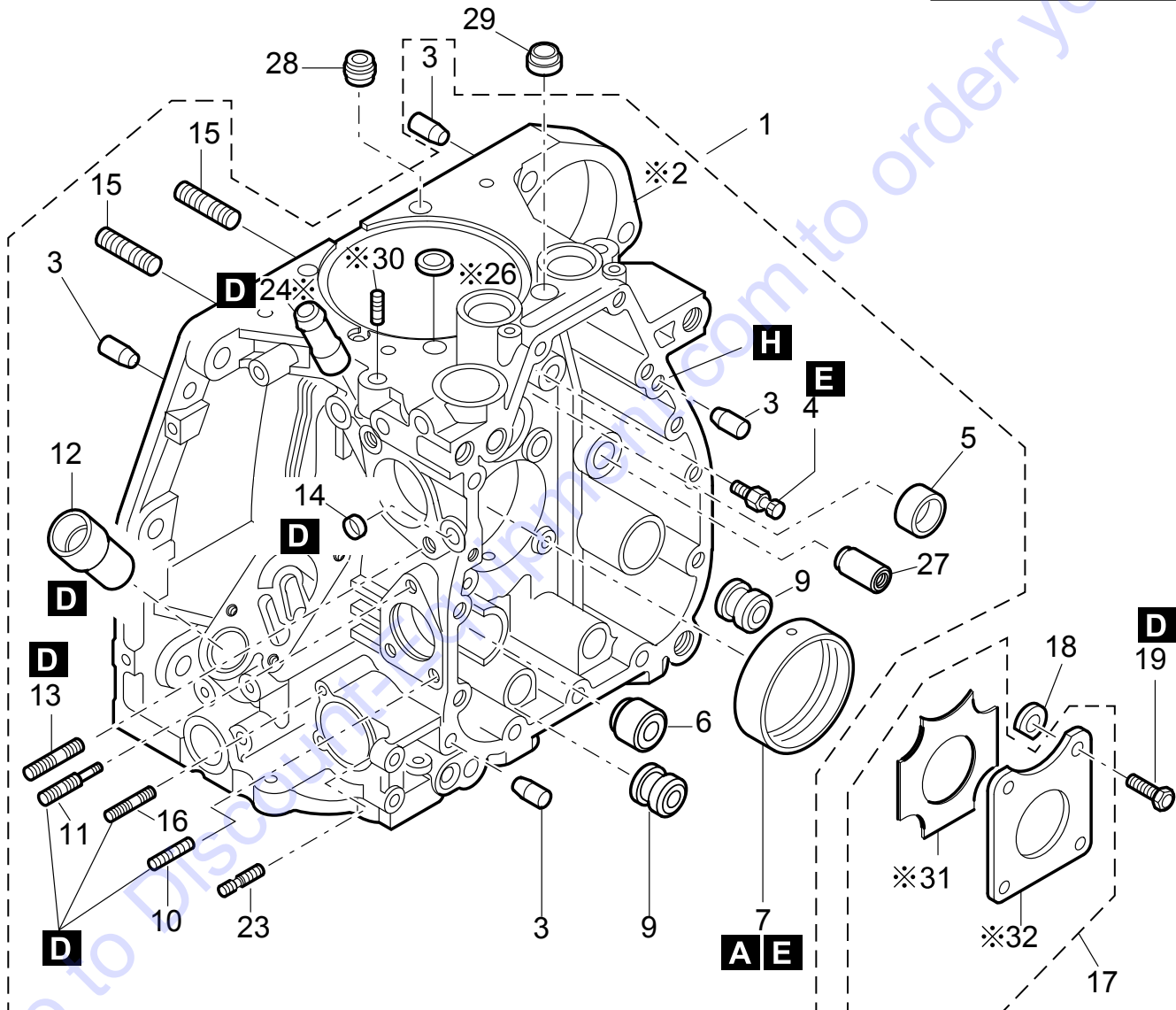
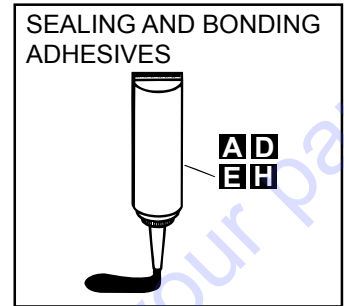
# HATZ 1D81S-325 ENGINE ACCESSORIES ASSY.



## HATZ 1D81S-325 ENGINE ACCESSORIES ASSY.

<u>NO.</u>	<u>PART NO.</u>	<u>PART NAME</u>	<u>QTY.</u>	<u>REMARKS</u>
A	50223001	LOCTITE ACTIVATOR N	1	
B	50223101	LOCTITE 574	1	
C	50223200	LOCTITE 601	1	
D	50223300	LOCTITE 221	1	
E	50223400	LOCTITE 648	1	
F	50223800	TECHNICAL ADHESIVE 8058	1	
F1	50223900	TECHNICAL CLEANER	1	
G	50256501	LOCTITE IS 407	1	
H	70018944	TEROSON TEROSTAT 63	1	
J	50283004	HIGH TEMPERATURE PASTE	1	
K	50342601	HIGH TEMPERATURE FETT	1	
L	50256600	SILICON SEALER	1	
M	50485100	GRINDING PASTE	1	
1	01247512	ACCESSORIES KIT	1	
2	01247600	TOOLS	1	
3	04048305	STICKER DECAL	1	
7	05025201	STICKER DECAL "START"	1	

# HATZ 1D81S-325 ENGINE CRANKCASE 1 ASSY.



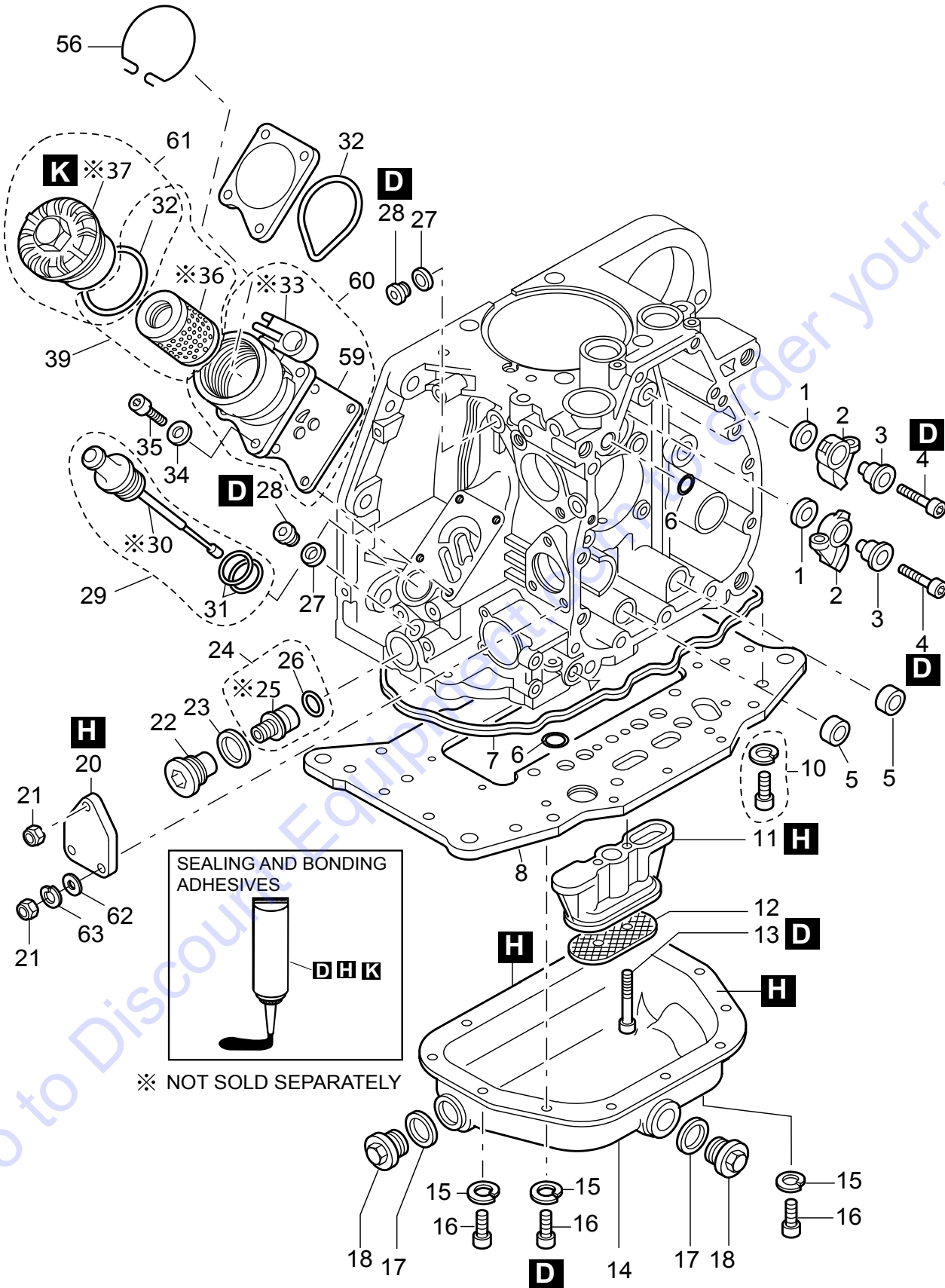
※ NOT SOLD SEPARATELY



## HATZ 1D81S-325 ENGINE CRANKCASE 1 ASSY.

<u>NO.</u>	<u>PART NO.</u>	<u>PART NAME</u>	<u>QTY.</u>	<u>REMARKS</u>
A	50223001	LOCTITE ACTIVATOR N	1	
D	50223300	LOCTITE 221	1	
E	50223400	LOCTITE 648	1	
H	70018944	TEROSON TEROSTAT 63	1	
1	01249070	CRANKCASE ASSY.....	1	INCLUDES ITEMS W/\$
2\$		CRANKCASE.....	1	NOT SOLD SEPARATELY
3\$	50249102	CYL. PIN	4	
4\$	03793900	NOZZLE	1	
5\$	03793801	BEARING BUSH	1	
6\$	03794000	PLUG	AR	
7\$	03793700	BEARING	1	
7	04033700	MAIN BEARING, O.S. 0.5MM.....	1	FOR -0.5MM SHAFT
9\$	04000800	PLUG	AR	
10\$	50144300	STUD	2	
11\$	03794510	STUD	1	
12\$	03794800	INTERMEDIATE PIECE	1	
13\$	50601200	STUD	2	
14\$	50325500	COVER	1	
15\$	50602901	STUD	8	
16\$	50328200	STUD	2	
17	02228000	THRUST PLATE.....	1	INCLUDES ITEMS W/@
18	04069500	SHIM, 1.05 MM	AR	
18	04069600	SHIM, 1.2 MM	AR	
19	04062010	HEX. HD. SCREW	4	
23	50328200	STUD	1	
24\$		PIPE.....	1	NOT SOLD SEPARATELY
26\$		O-RING.....	AR	NOT SOLD SEPARATELY
27\$	04105000	PLUG	1	
28	50459800	SEALING CYL. SCREW	2	
29	04084500	SEALING RING	2	
30\$		STUD.....	AR	NOT SOLD SEPARATELY
31@		GASKET.....	1	NOT SOLD SEPARATELY
32@		PLATE.....	1	NOT SOLD SEPARATELY

# HATZ 1D81S-325 ENGINE CRANKCASE 2 ASSY.



## HATZ 1D81S-325 ENGINE CRANKCASE 2 ASSY.

NO.	PART NO.	PART NAME	QTY.	REMARKS
D	50223300	LOCTITE 221	1	
H	70018944	TEROSON TEROSTAT 63	1	
K	50342601	HIGH TEMPERATURE FETT	1	
1	03794100	WASHER	2	
2	03794300	CAM FOLLOWER	2	
3	03794201	CAM FOLLOW SP.	2	
4	50545501	ALLEN, SCREW	2	
5	03795800	O-RING	2	
6	50329000	O-RING	3	
7	03795100	O-RING	1	
8	01248810	PLATE	1	
10	50417600	ALLEN SCREW W/WASHER	22	
11	03794900	HOUSING	1	
12	03795000	SUCTION, SIEVE	1	
13	50327100	ALLEN SCREW	2	
14	01241700	OIL SUMP	1	
15	50170900	WASHER, LOCK	12	
16	50329100	ALLEN SCREW	12	
17	50001600	JOINT A	2	
18	50373100	DRAIN PLG. MAGNT.	2	
20	03794701	COVER	1	
21	50328300	HEXAGON NUT	3	
22	01321200	CLOS., SCREW + SIEVE	1	
23	50286400	JOINT A	1	
24	01321100	OIL RELIEF VALVE W/O-RING.....	1	INCLUDES ITEMS W/\$
25\$		OIL RELIEF VALVE.....	1	NOT SOLD SEPARATELY
26\$	50460400	O-RING	1	
27	50062400	JOINT A	2	
28	50062300	CLOS. SCREW	2	
29	01241500	OIL GAUGE W/O-RING .....	1	INCLUDES ITEMS W/#
30#		OIL GAUGE .....	1	NOT SOLD SEPARATELY
31#	50359700	O-RING	2	
32@%	50329200	RING	2	
33+		HOUSING, LUBE, OIL FILTER.....	1	NOT SOLD SEPARATELY
34	50081200	WASHER, LOCK	4	
35	50170600	ALLEN SCREW	4	
36@		ELEMENT, OIL FILTER.....	1	NOT SOLD SEPARATELY
37%		COVER, OIL FILTER.....	1	NOT SOLD SEPARATELY
39	01480001	ELEMENT, OIL FILTER W/RING .....	1	INCLUDES ITEMS W/@
56	04084001	LIFTING SPRING	1	
59+	05068900	GASKET	1	
60	01318300	HOUSING, LUBE, OIL FILTER, W/GASKET ....	1	INCLUDES ITEMS W/+
61	01248901	COVER, OIL FILTER W/RING .....	1	INCLUDES ITEMS W/%
62	50144500	WASHER, FLAT	2	
63	50170900	WASHER, LOCK	2	

# PARTS FINDER

**Search Website  
by Part Number**



**Search Manual  
Library For Parts  
Manual & Lookup Part  
Numbers – Purchase  
or Request Quote**

**Search Manuals**

Enter your information to help us find the right parts manual for your machine.

\* Brand:

\* Model:

\* Serial:

\* Part Number:

SEARCH

**Can't Find Part or  
Manual? Request Help  
by Manufacturer,  
Model & Description**

**Parts Order Form**

Please fill in the following information to help us find the right part for your machine.

Manufacturer:	<input type="text"/>
Model:	<input type="text"/>
Description:	<input type="text"/>
Part Number:	<input type="text"/>
Quantity:	<input type="text"/>
Notes:	<input type="text"/>

Discount-Equipment.com is your online resource for quality parts & equipment.

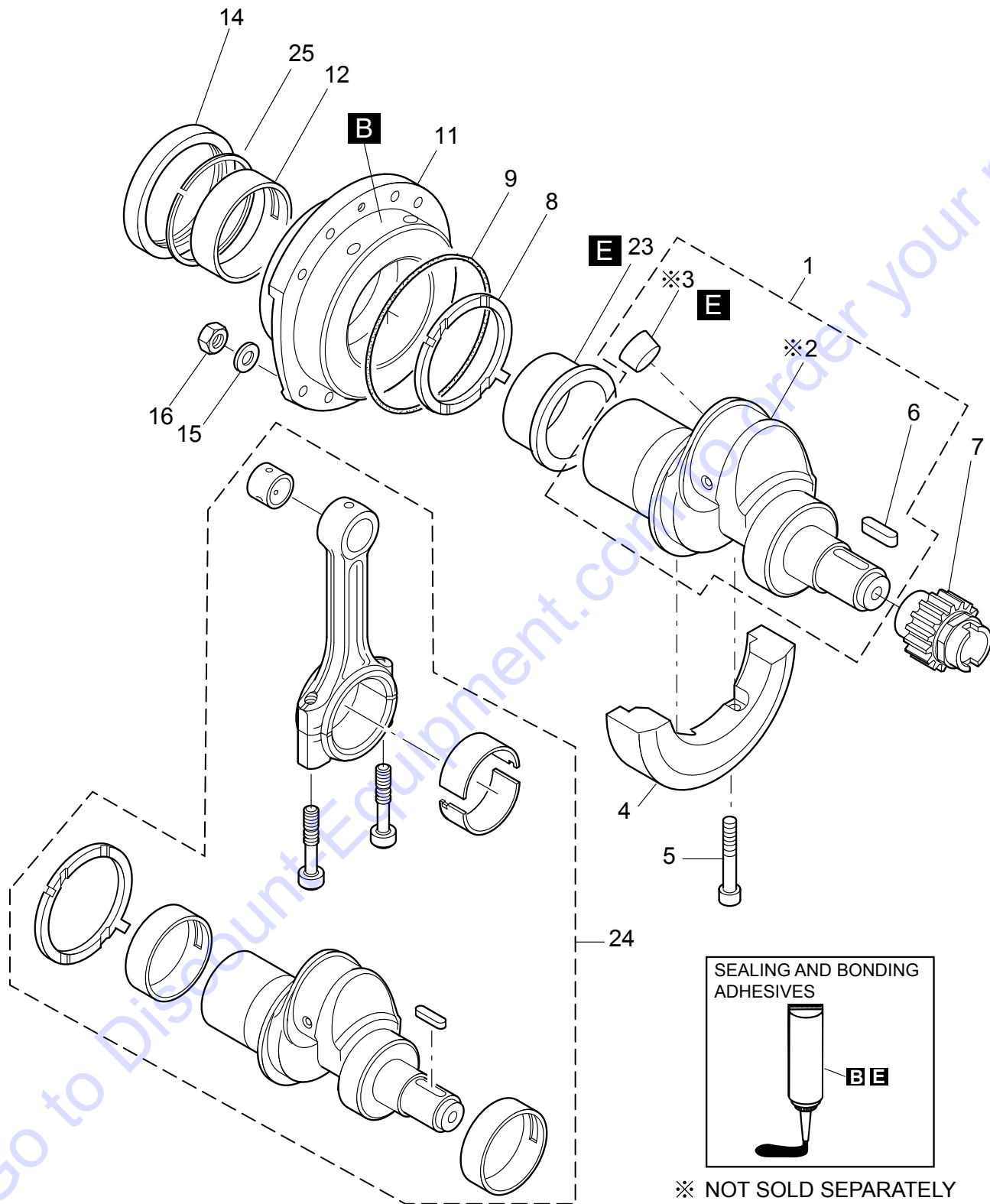
Florida: **561-964-4949** Outside Florida TOLL FREE: **877-690-3101**

**Need parts?**

Click on this link: <http://www.discount-equipment.com/category/5443-parts/> and choose one of the options to help get the right parts and equipment you are looking for. Please have the machine model and serial number available in order to help us get you the correct parts. If you don't find the part on the website or on one of the online manuals, please fill out the request form and one of our experienced staff members will get back to you with a quote for the right part that your machine needs.

We sell worldwide for the brands: Genie, Terex, JLG, MultiQuip, Mikasa, Essick, Whiteman, Mayco, Toro Stone, Diamond Products, Generac Magnum, Airman, Haulotte, Barreto, Power Blanket, Nifty Lift, Atlas Copco, Chicago Pneumatic, Allmand, Miller Curber, Skyjack, Lull, Skytrak, Tsurumi, Husquvarna Target, Stow, Wacker, Sakai, Mi-T-M, Sullair, Basic, Dynapac, MBW, Weber, Bartell, Bennar Newman, Haulotte, Ditch Runner, Menegotti, Morrison, Contec, Buddy, Crown, Edco, Wyco, Bomag, Laymor, EZ Trench, Bil-Jax, F.S. Curtis, Gehl Pavers, Heli, Honda, ICS/PowerGrit, IHI, Partner, Imer, Clipper, MMD, Koshin, Rice, CH&E, General Equipment, Amida, Coleman, NAC, Gradall, Square Shooter, Kent, Stanley, Tamco, Toku, Hatz, Kohler, Robin, Wisconsin, Northrock, Oztec, Toker TK, Rol-Air, APT, Wylie, Ingersoll Rand / Doosan, Innovatech, Con X, Ammann, Mecalac, Makinex, Smith Surface Prep, Small Line, Wanco, Yanmar

# HATZ 1D81S-325 ENGINE CRANKSHAFT BEARING FLANGE ASSY.

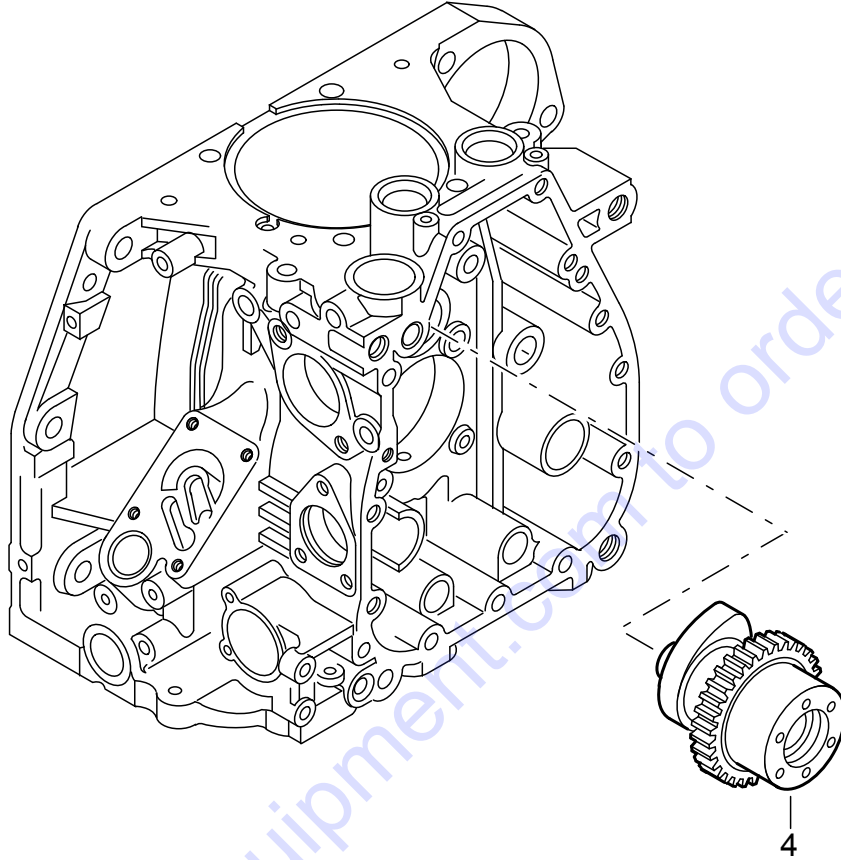


## HATZ 1D81S-325 ENGINE CRANKSHAFT BEARING FLANGE ASSY.

<u>NO.</u>	<u>PART NO.</u>	<u>PART NAME</u>	<u>QTY.</u>	<u>REMARKS</u>
B	50223101	LOCTITE 574	1	
E	50223400	LOCTITE 648	1	
1	01269820	CRANKSHAFT ASSY.....	1	INCLUDES ITEMS W/\$
2\$		CRANKSHAFT.....	1	NOT SOLD SEPARATELY
3\$		PLUG.....	1	NOT SOLD SEPARATELY
4	03796000	COUNTER WEIGHT	1	
5	50055001	ALLEN SCREW	2	
6\$	50362600	FITTING KEY	1	
7	03796120	GEARWHEEL, CRANKSHAFT	1	
8	04000600	BUFFER RING	1	
9	50224900	O-RING	1	
11	04064211	BEARING FLANGE .....	1	REPLACES P/N 04064210
12	04006800	MAIN BEARING	1	
12	04036100	MAIN BEARING, O.S. 0.5MM.....	1	FOR -0.5MM SHAFT
14	50362701	OIL SEAL	1	
15	50413600	WASHER	8	
16	50364300	HEXAGON NUT	8	
23	50414400	WEAR SLEEVE	AR	
24	01512010	REPAIR SET, CRANKSHAFT	1	

# HATZ 1D81S-325 ENGINE CAMSHAFT ASSY.

---



## HATZ 1D81S-325 ENGINE CAMSHAFT ASSY.

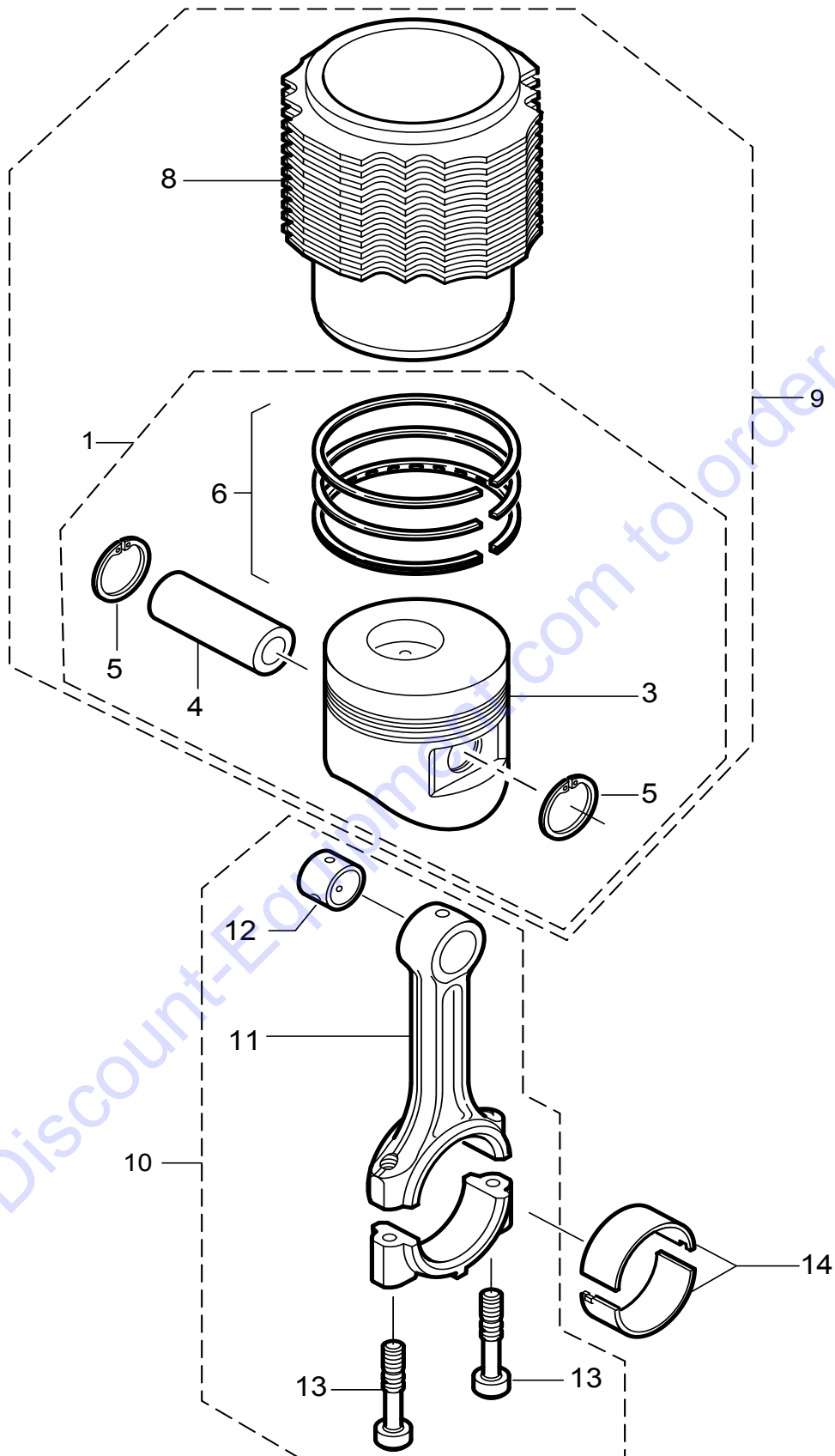
---

<u>NO.</u>	<u>PART NO.</u>	<u>PART NAME</u>	<u>QTY.</u>	<u>REMARKS</u>
4	04099920	CAMSHAFT ASSY.	1	

Go to [Discount-Equipment.com](http://Discount-Equipment.com) to order your parts



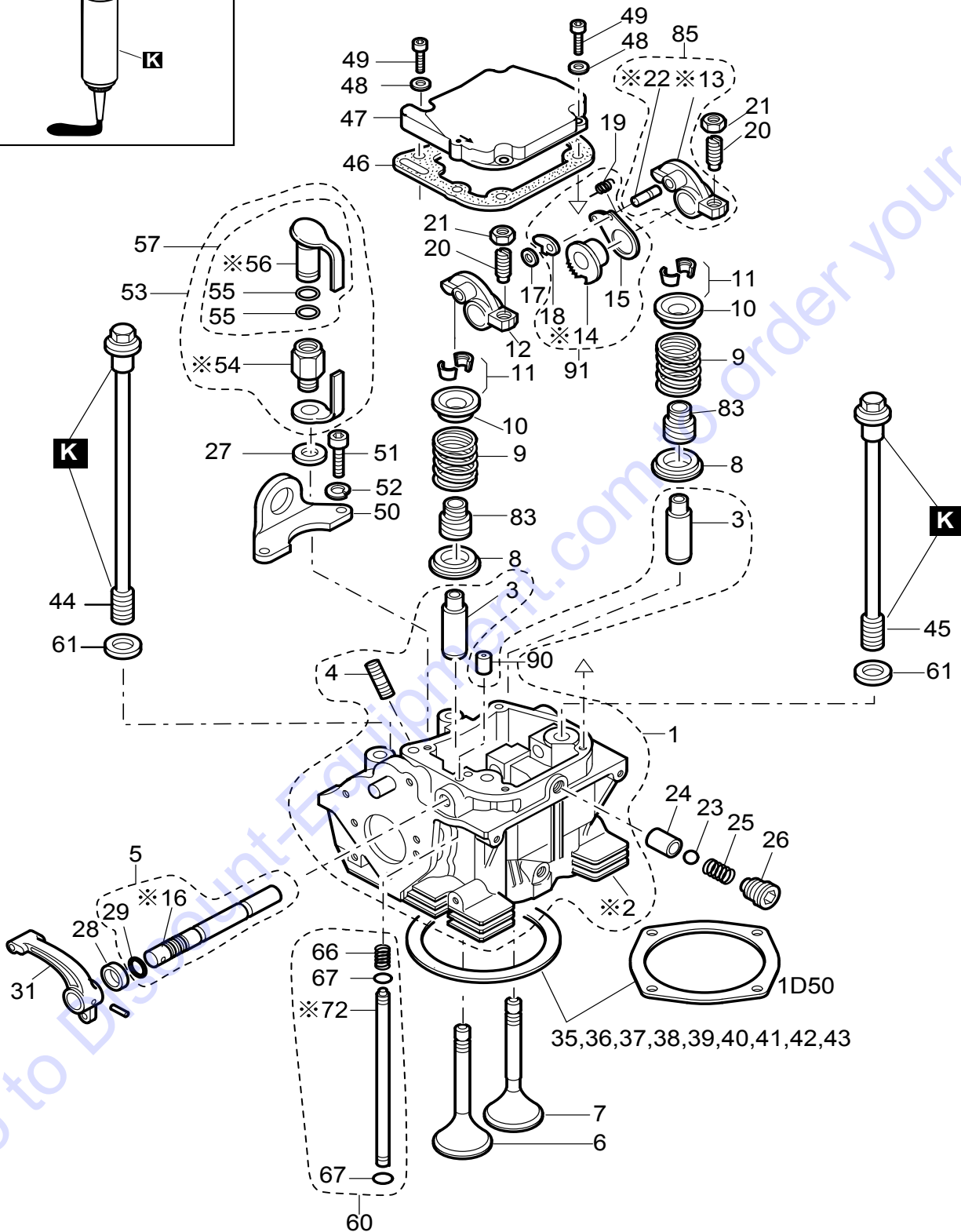
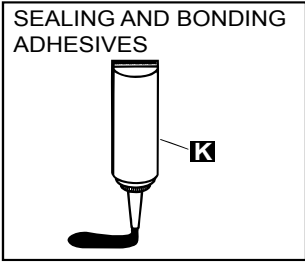
# HATZ 1D81S-325 ENGINE PISTON ASSY.



## HATZ 1D81S-325 ENGINE PISTON ASSY.

<u>NO.</u>	<u>PART NO.</u>	<u>PART NAME</u>	<u>QTY.</u>	<u>REMARKS</u>
1#	01313542	PISTON SET 100 STD.....	1.....	INCLUDES ITEMS W/\$
1	01314641	PISTON 100+0.5MM OVERSIZE.....	1.....	INCLUDES ITEMS W/%
3\$%#		PISTON.....	1.....	NOT SOLD SEPARATELY
4\$%#	50461900	GUDGEON	1	
5\$%#	50594900	CIR CLIP	2	
6\$#	01247310	PISTON RING SET 100/STD	1	
6%	01264510	PISTON RING SET100+0.5MM OVERSIZE	1	
8#		CYLINDER.....	1.....	NOT SOLD SEPARATELY
9	01508330	CYLINDER ASSY. ....	1.....	INCLUDES ITEMS W/#
10	01244001	CONNECTING ROD ASSY. ....	1.....	INCLUDES ITEMS W/@
11@		CONNECTING ROD.....	1.....	NOT SOLD SEPARATELY
12@	04032200	BUSH FOR CONROD	1	
13@	04001810	CONROD SCREW	2	
14	02251900	BEARING, BIG END STANDARD	1	
14	02252100	BEARING, BIG END, O.S. 0.5MM .....	1.....	FOR -0.5MM BRG END

# HATZ 1D81S-325 ENGINE CYLINDER HEAD ASSY.

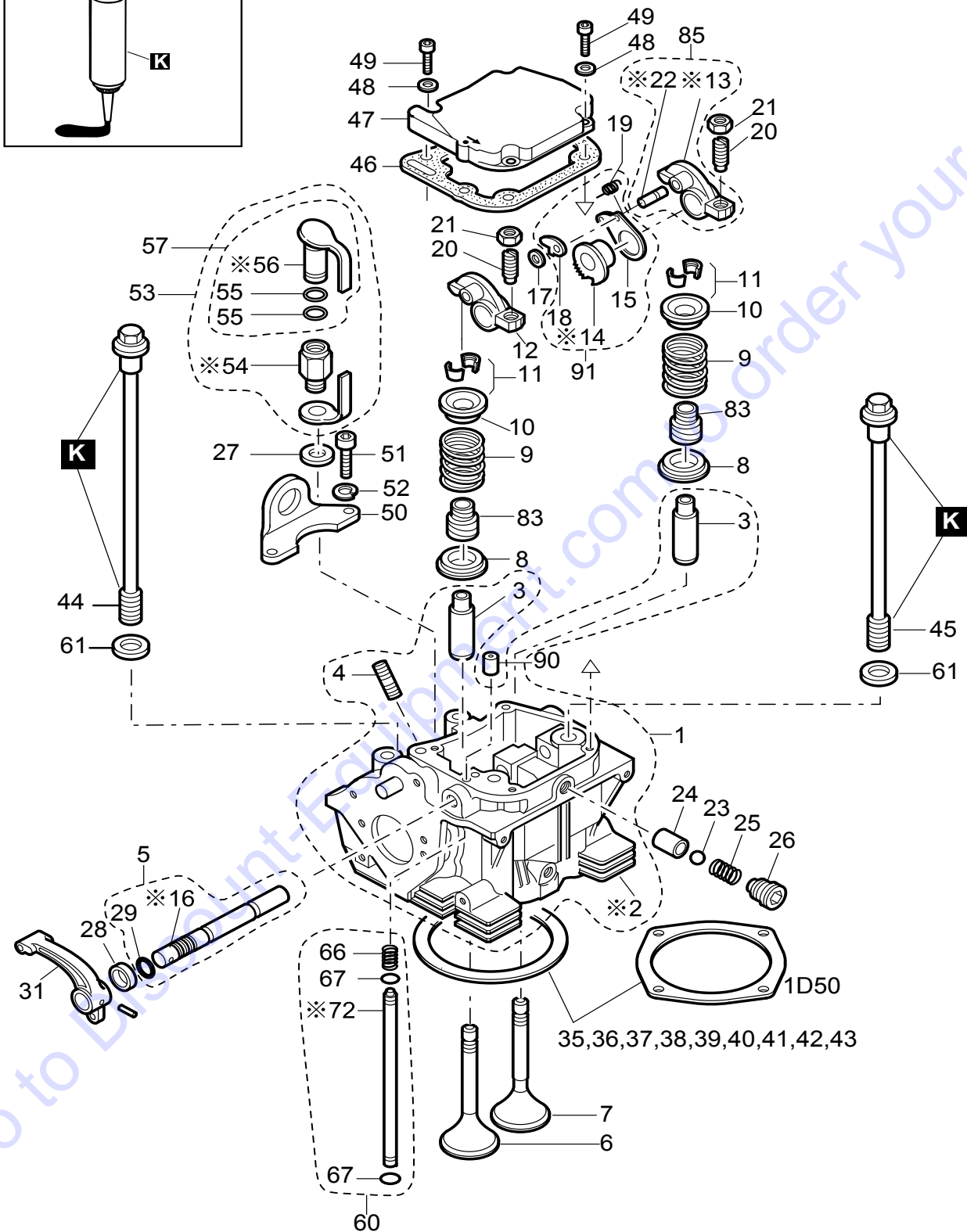
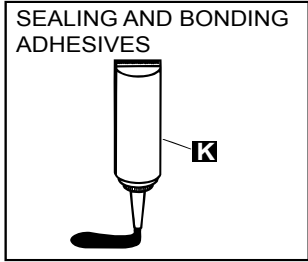


※ NOT SOLD SEPARATELY

## HATZ 1D81S-325 ENGINE CYLINDER HEAD ASSY.

<u>NO.</u>	<u>PART NO.</u>	<u>PART NAME</u>	<u>QTY.</u>	<u>REMARKS</u>
K	50342601	HIGH TEMPERATURE FETT	1	
1	01499620	CYLINDER HEAD ASSY.....	1	INCLUDES ITEMS W/\$
2\$		CYLINDER HEAD.....	1	NOT SOLD SEPARATELY
3\$	04008712	VALVE GUIDE	2	
4\$	50038400	STUD	1	
5	01468920	SHAFT ROCKER W/O-RING.....	1	INCLUDES ITEMS W/%
6	04091001	INTAKE VALVE	1	
7	04091100	EXHAUST VALVE	1	
8	04005201	WASHER	2	
9	04005300	VALVE SPRING	2	
10	04005401	CUP	2	
11	02252200	COLLET	2	
12	04003710	ROCKER INLET	1	
13^		ROCKER, EXHAUST.....	1	NOT SOLD SEPARATELY
14*		GEAR HOLDER.....	1	NOT SOLD SEPARATELY
15*	03778401	SPRING SHEET	1	
16%		SHAFT ROCKER.....	1	NOT SOLD SEPARATELY
17	50117200	CIRCLIP	1	
18*	03365710	RATCHET F DECOMPR	1	
19*	03366001	SPRING	1	
20	03783000	ADJUSTING SCREW	2	
21	03173100	HEXAGON NUT	2	
22^		PIN, ROCKER EXHAUST.....	1	NOT SOLD SEPARATELY
23	50123800	BALL	1	
24	04004700	BUSH	1	
25	04004800	PRESSURE SPRING	1	
26	01245200	ADJUSTING SCREW	1	
27	50001100	JOINT A	1	
28	04048900	RUBBER, RING	1	
29%	40022401	O-RING	1	
30	50034700	PIN	1	
31	04009810	HANDLE	1	
35	04068800	GASKET F. CYLINDER HEAD 0.5 MM	1	
35	04240900	GASKET CYLINDER HEAD 0.55 MM	1	
36	04036800	GASKET F. CYLINDER HEAD 0.6 MM	1	
36	04241000	GASKET F. CYLINDER HEAD 0.65 MM	1	
37	04036500	GASKET F. CYLINDER HEAD 0.7 MM	1	
37	04241100	GASKET F. CYLINDER HEAD 0.75 MM	1	
38	04036600	GASKET F. CYLINDER HEAD 0.8 MM	1	
38	04241200	GASKET F. CYLINDER HEAD 0.85 MM	1	
39	04002700	GASKET F. CYLINDER HEAD 0.9 MM	1	
39	04241300	GASKET F. CYLINDER HEAD 0.95 MM	1	
40	04002800	GASKET F. CYLINDER HEAD 1.0 MM	1	
40	04241400	GASKET F. CYLINDER HEAD 1.05 MM	1	

# HATZ 1D81S-325 ENGINE CYLINDER HEAD ASSY. (CONT'D.)



※ NOT SOLD SEPARATELY

## HATZ 1D81S-325 ENGINE CYLINDER HEAD ASSY. (CONT'D.)

<u>NO.</u>	<u>PART NO.</u>	<u>PART NAME</u>	<u>QTY.</u>	<u>REMARKS</u>
41	04002900	GASKET F. CYLINDER HEAD 1.1 MM	1	
41	04241500	GASKET F. CYLINDER HEAD 1.15 MM	1	
42	04003000	GASKET F. CYLINDER HEAD 1.2 MM	1	
42	04241600	GASKET F. CYLINDER HEAD 1.25 MM	1	
43	04003100	GASKET F. CYLINDER HEAD 1.3 MM	1	
44	04003200	CYLINDER HEAD SCREW	2	
45	04003300	CYLINDER HEAD SCREW	2	
46	04006111	GASKET, ROCKER COVER	1	
47	01245414	COVER CYLINDER HEAD	1	
48	50081200	WASHER, LOCK	4	
49	50170800	ALLEN SCREW	4	
50	04008100	LIFTING BRACKET	1	
51	50366300	ALLEN SCREW	2	
52	50208500	WASHER, LOCK	2	
53	01493200	PLUG, FILTER, ASSY.....	1	INCLUDES ITEMS W/@
54@		CAP, FILTER PLUG .....	1	NOT SOLD SEPARATELY
55@+	50326200	O-RING	2	
56@+		PLUG, FILTER .....	1	NOT SOLD SEPARATELY
57	01308301	CLOSING PLUG "S" W/O-RING & CAP .....	1	INCLUDES ITEMS W/+
60	01269700	OIL PRESSURE PIPE W/SPRING & ORINGS..	1	INCLUDES ITEMS W/#
61	03457500	DISC F. STUD	4	
66#	04004200	PRESSURE SPRING	1	
67#	50330100	O-RING	2	
72#		PIPE OIL PRESSURE .....	1	NOT SOLD SEPARATELY
83	50634900	VALVE STEM SEAL CAP	2	
85	01285010	ROCKER EXHAUST .....	1	INCLUDES ITEMS W/^
90	04104300	PIN	1	
91	01557600	GEAR, HOLDER, F. DECOMPR .....	1	INCLUDES ITEMS W/*



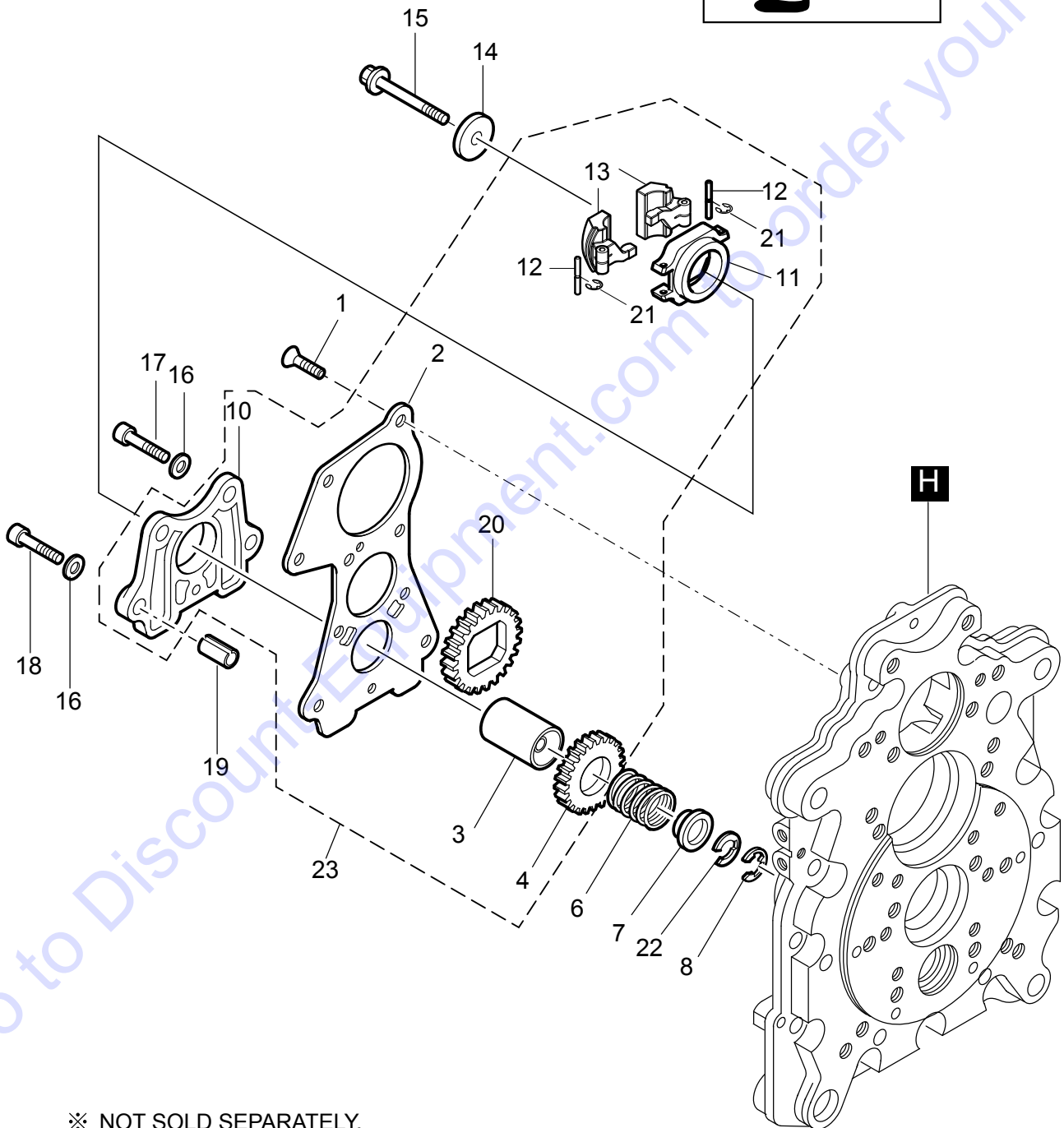
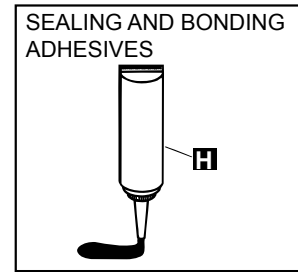
## HATZ 1D81S-325 ENGINE PUSHROD, FLYWHEEL ASSY.

<u>NO.</u>	<u>PART NO.</u>	<u>PART NAME</u>	<u>QTY.</u>	<u>REMARKS</u>
1	01244310	PUSHROD	2	
2	50330200	O-RING	2	
3	04002500	PROTECTION TUBE	2	
4	50347000	CIRCLIP	2	
5	04002600	PRESSURE SPRING	2	
6	04002000	PRESSURE RING	2	
7	50330300	O-RING	2	
8	04007500	RING, FLYWHEEL	2	
10	50397100	ALLEN SCREW	1	
13	03123700	BUSHING	7	
14	04007133	FLYWHEEL	1	
15	04007410	PLATE	1	
16	50363100	ALLEN SCREW	6	

Go to Discount-Equipment.com to order your parts



# HATZ 1D81S-325 ENGINE OIL PUMP, GOVERNOR ASSY.



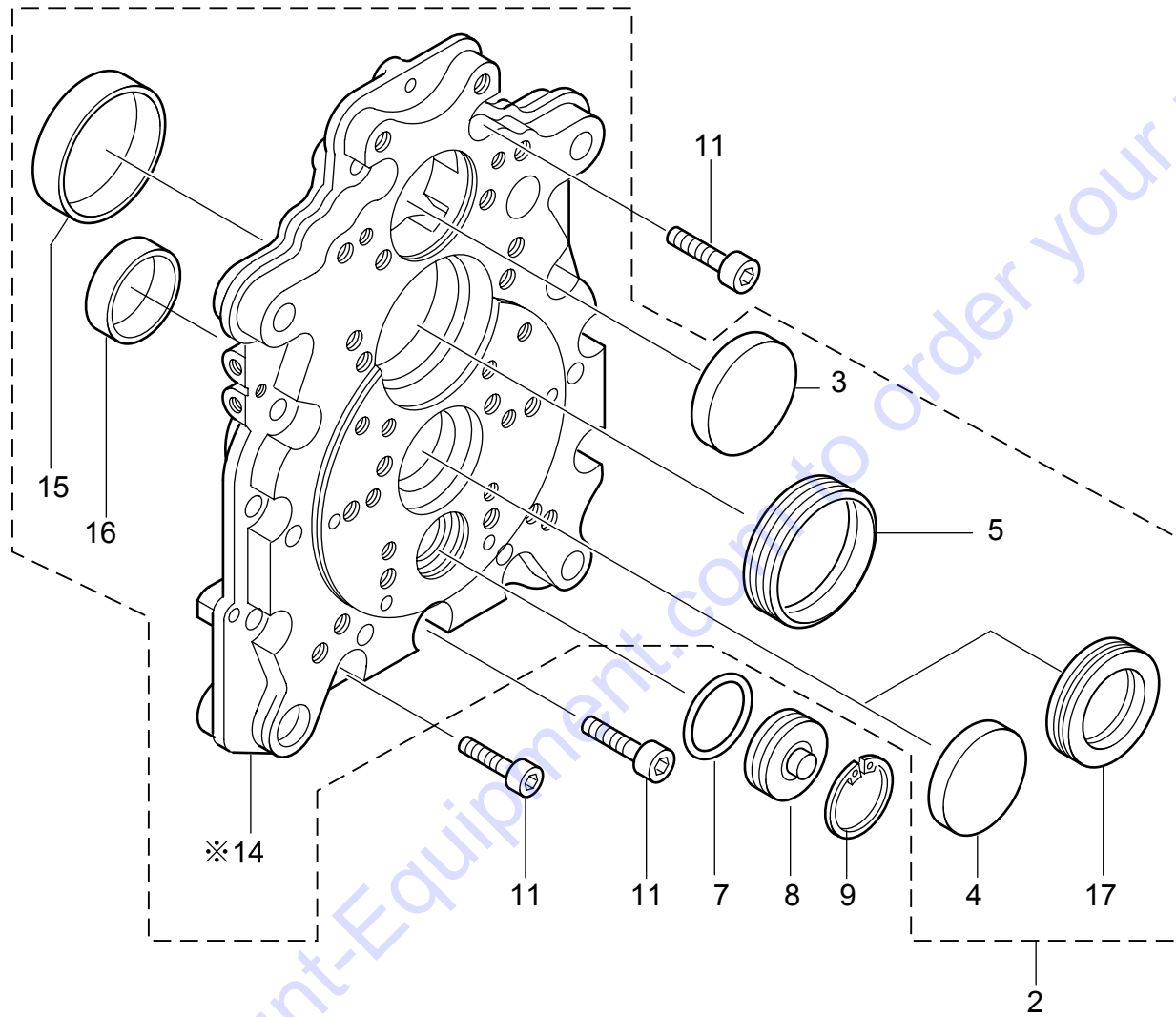
※ NOT SOLD SEPARATELY.

## HATZ 1D81S-325 ENGINE OIL PUMP, GOVERNOR ASSY.

<u>NO.</u>	<u>PART NO.</u>	<u>PART NAME</u>	<u>QTY.</u>	<u>REMARKS</u>
H	70018944	TEROSON TEROSTAT 63	1	
1	50328000	COUNTERSUNK SCREW	5	
2\$	03797412	COVER, OIL PUMP	1	
3\$	01242401	SPRING CAPSULE + BUSH	1	
4\$	03797310	GEAR WHEEL	1	
6	04063400	GOVERNOR SPRING	1	
7	03798600	CUP	1	
8	50334700	CIRCLIP	1	
10\$	03797512	HOUSING FOR OIL PUMP	1	
11\$	04277100	PLATE, CENTRIFUGAL WEIGHT	1	
12\$	04277300	PIN	1	
13\$	04277202	FLYWEIGHT	1	
14	03797900	WASHER	1	
15	03797801	PIN	1	
16	50081200	WASHER, LOCK	5	
17	50170800	ALLEN SCREW	3	
18	50051000	ALLEN SCREW	2	
19	50084901	PIN	2	
20\$	03798720	GEAR WHEEL	1	
21\$	50594300	CIRCLIP	2	
22	04262500	CIRCLIP 0.3 MM	AR	
22	04046000	CIRCLIP 0.5 MM	AR	
23	01242330	SPRING SLEEVE ASSY. ....	1.....	INCLUDES ITEMS W/\$

Go to Discount-Equipment.com to order your parts

# HATZ 1D81S-325 ENGINE TIMING COVER ASSY.



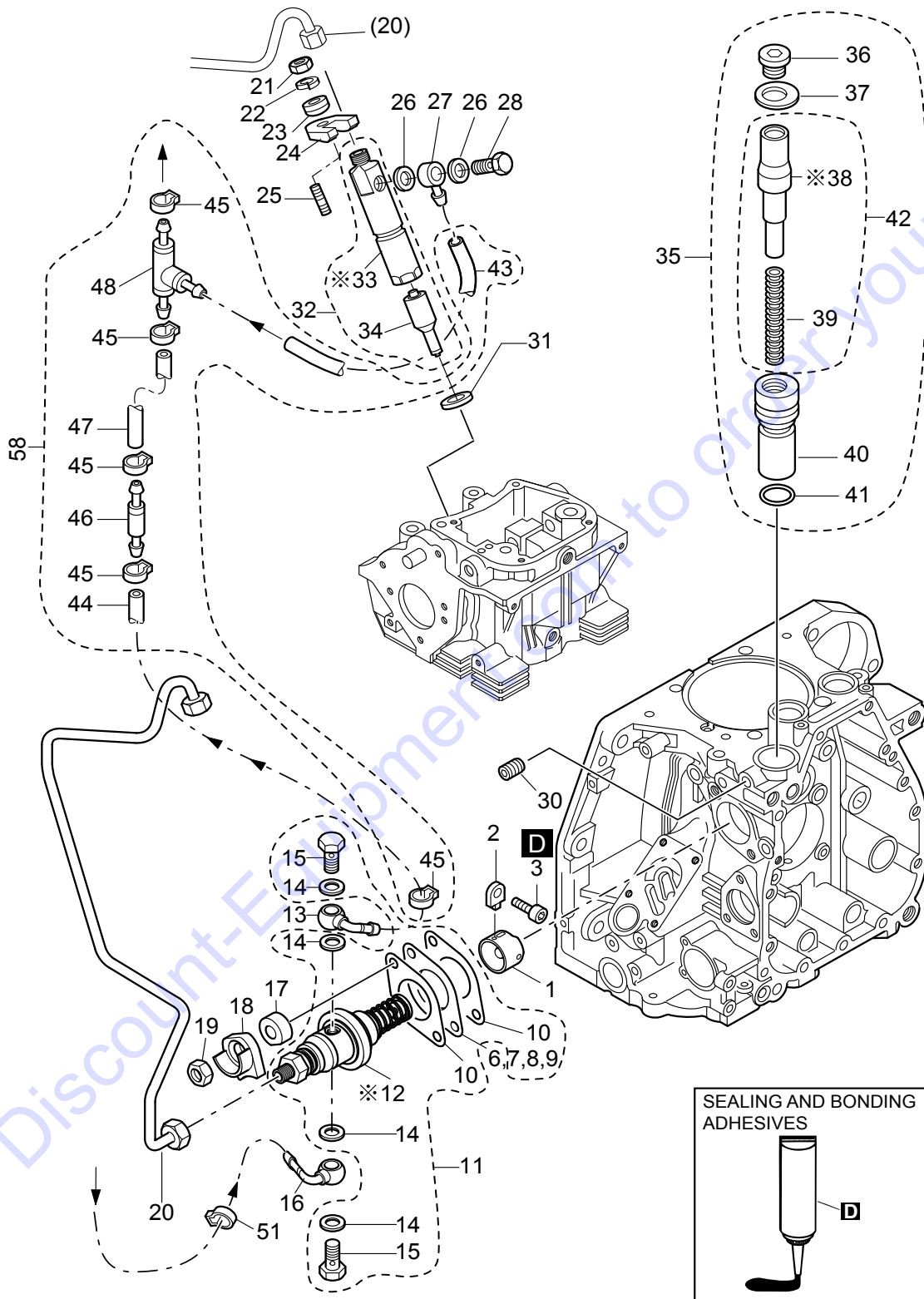
※ NOT SOLD SEPARATELY.

## HATZ 1D81S-325 ENGINE TIMING COVER ASSY.

<u>NO.</u>	<u>PART NO.</u>	<u>PART NAME</u>	<u>QTY.</u>	<u>REMARKS</u>
2	01267731	TIMING COVER ASSY.....	1.....	INCLUDES ITEMS W/\$
3\$	50325600	COVER 50	1	
4\$	50325701	COVER 52	1	
5\$	50325811	OIL SEAL	1	
7	50330400	O-RING	1	
8	04000400	COVER	1	
9	50399000	CIRCLIP	1	
11	50417400	ALLEN SCREW	13	
14\$		TIMING COVER.....	1.....	NOT SOLD SEPARATELY
15\$	04000310	BEARING, BUSHING	1	
16\$	04023210	BEARING, BUSHING	1	
17\$	50364701	OIL SEAL	1	

Go to Discount-Equipment.com to order your parts

# HATZ 1D81S-325 ENGINE FUEL PUMP ASSY.

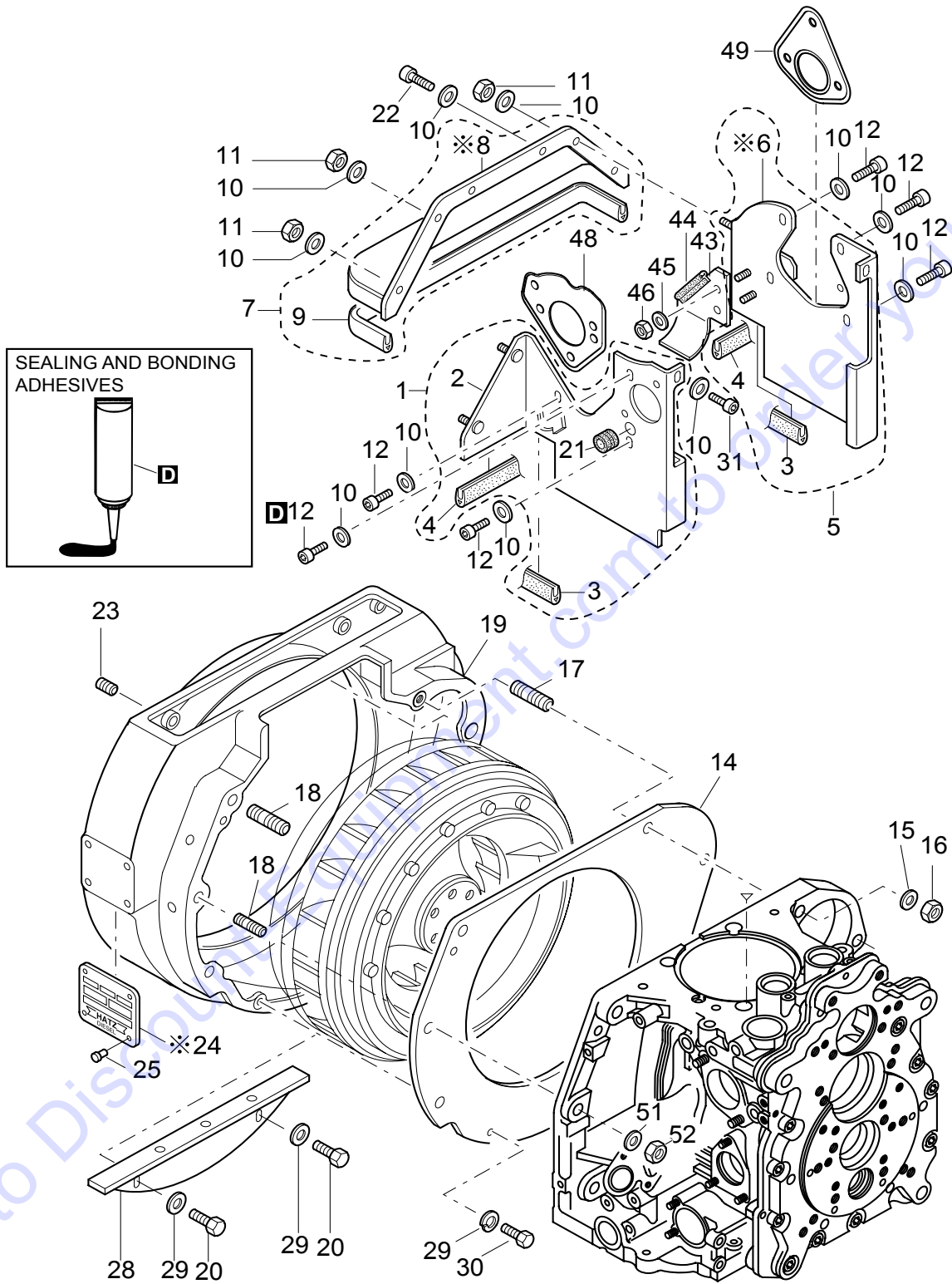


※ NOT SOLD SEPARATELY.

## HATZ 1D81S-325 ENGINE FUEL PUMP ASSY.

NO.	PART NO.	PART NAME	QTY.	REMARKS
D	70018918	LOCTITE 221	1	
1	50492900	ROLLER TAPPET	1	
2	04169200	GUIDE	1	
3	50050700	ALLEN SCREW	1	
6	03209700	SHIM 0.30 MM	AR	
7\$	04102400	SHIM 0.60 MM	AR	
8\$	04102500	SHIM 0.90 MM	AR	
9\$	04102600	SHIM 1.20 MM	AR	
10\$	04071300	GASKET 0.10 MM	AR	
10	04102200	GASKET 0.20 MM	AR	
10	04102300	GASKET 0.30 MM	AR	
11	01864502	INJECTION PUMP ASSY.....	1	INCLUDES ITEMS W/\$
12\$		INJECTION PUMP.....	1	NOT SOLD SEPARATELY
13	05299701	BANJO CONNECTION	1	
14\$	50586300	PACKING RING	4	
15\$	50577801	BANJO BOLT	2	
16	05299701	BANJO CONNECTION	2	
17	04239300	SPACER	2	
18	04239100	CLAMP, INJECTION PUMP	2	
19	04244300	HEXAGON NUT	2	
20	01313620	FUEL PRESSURE PIPE	1	
21	020108060	HEXAGON NUT .....	1	REPLACES P/N 50148000
22	50208500	WASHER, LOCK	1	
23	04035700	WASHER	1	
24	03792401	FLANGE	1	
25	50038400	STUD	1	
26	50000800	JOINT A	2	
27	50333400	BANJO CONNECTION	1	
28	50313000	BANJO BOLT	1	
30	50004600	GRUB SCREW	1	
31	04185200	JOINT WASHER	1	
32	50567310	INJECTOR NOZZLE ASSY.....	1	INCLUDES ITEMS W/%
33%		INJECTOR NOZZLE BODY .....	1	NOT SOLD SEPARATELY
34%	50567410	INJECTOR NOZZLE	1	
35	01498902	PISTON CYLINDER ASSY. ....	1	INCLUDES ITEMS W/@
36@	50330800	CLOSS SCREW	1	
37@	04001600	DISC	1	
38@#		PISTON CYLINDER .....	1	NOT SOLD SEPARATELY
39@#	05035200	PRESSURE SPRING	1	
40@	04001410	CYLINDER F. EXTR. FUEL DEV	1	
41@	50328900	O-RING	1	
42	01519500	PISTON W/SPRING .....	1	INCLUDES ITEMS W/#
43+	03962110	FUEL HOSE	1	
44+	05310200	FUEL PIPE	1	
45+	50570900	CLAMP	5	
46+	00805502	VENT VALVE	1	
47+	05310100	FUEL PIPE	1	
48+	03989601	HOSE NIPPLE T	1	
51	50590000	CLAMP	1	
58	01189910	FUEL PIPE ASSY.....	1	INCLUDES ITEMS W/+

# HATZ 1D81S-325 ENGINE AIR DUCTING ASSY.



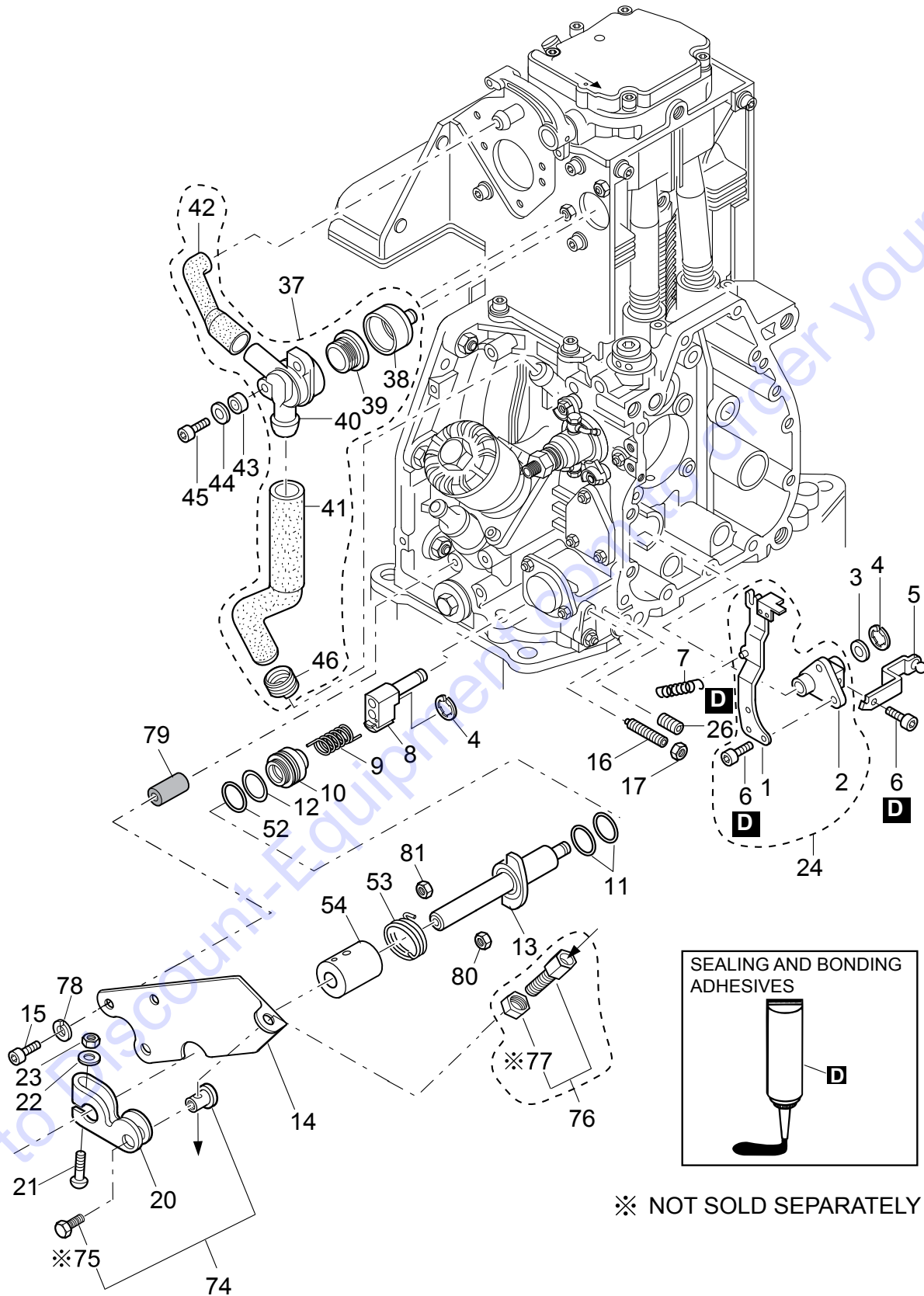
※ NOT SOLD SEPARATELY.

## HATZ 1D81S-325 ENGINE AIR DUCTING ASSY.

<u>NO.</u>	<u>PART NO.</u>	<u>PART NAME</u>	<u>QTY.</u>	<u>REMARKS</u>
D	50223300	LOCTITE 221	1	
1	01246223	COOLING AIR DUCTING .....	1	INCLUDES ITEMS W/\$
2\$		AIR DUCT BRACKET .....	1	NOT SOLD SEPARATELY
3\$@	04007601	SEALING STRIP 35 MM	2	
4\$@	04007720	SEALING STRIP 76 MM	2	
5	01246413	COOLING AIR DUCTING .....	1	INCLUDES ITEMS W/@
6@		AIR DUCT BRACKET .....	1	NOT SOLD SEPARATELY
7	01246600	COOLING AIR DUCTING, UPPER .....	1	INCLUDES ITEMS W/#
8#		AIR DUCT UPPER.....	1	NOT SOLD SEPARATELY
9#	04007901	SEALING STRIP	1	
10	50390701	CON. WASHER, LOCK	15	
11	020106050	HEXAGON NUT .....	4	REPLACES P/N 50144400
12	50528100	ALLEN SCREW	7	
14	04008500	PARTING SHEET	1	
15	50093700	WASHER, FLAT	2	
16	50093600	HEXAGON NUT	2	
17	50475000	STUD	2	
18	50474900	STUD	4	
19	01689100	HOUSING, INTERMEDIATE	1	
20	50333500	HEXAGON SCREW	AR	
21\$	50334800	RUBBER SLEEVE	1	
22	50416800	ALLEN SCREW	2	
23	50226000	GRUB SCREW	4	
24		MODEL ID PLATE.....	1	CONTACT DISCOUNT-EQUIPMENT.
25	40002500	RIVET	4	
28	04080410	COVER, BLOWER DUCTING	AR	
29	50170900	WASHER, LOCK	AR	
30	50177100	HEXAGON SCREW	2	
31	50416800	ALLEN SCREW	2	
43	01268010	COOLING AIR DUCT	1	
44	04038800	SEALING STRIP 94 MM	1	
45	50120000	WASHER, FLAT	2	
46	50328300	HEXAGON NUT	2	
48	04125700	SEALING PLATE	1	
49	04125601	SEALING PLATE	1	
51	50093700	WASHER, FLAT	4	
52	50093600	HEXAGON NUT	4	



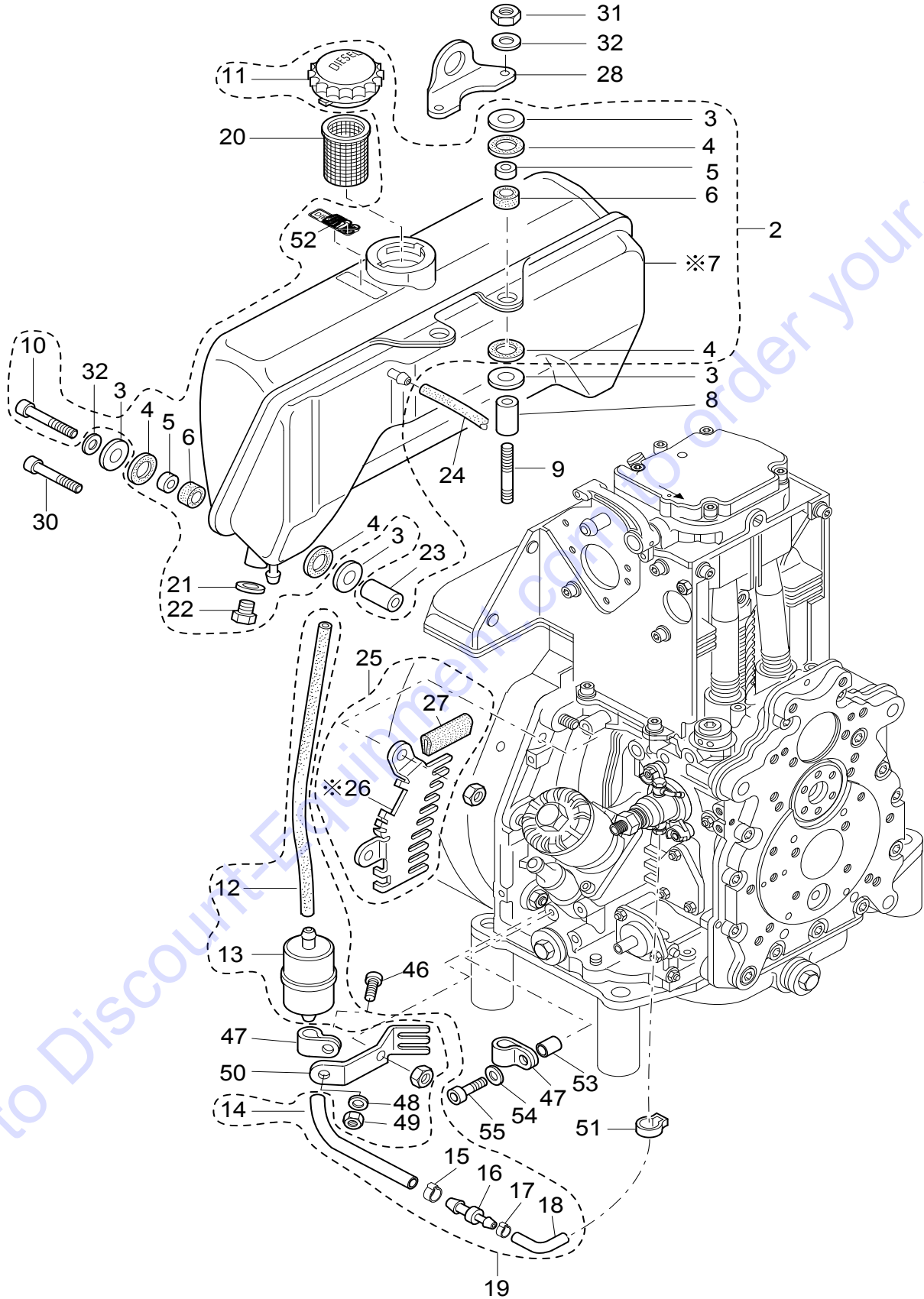
# HATZ 1D81S-325 ENGINE SPEED CONTROL ASSY.



## HATZ 1D81S-325 ENGINE SPEED CONTROL ASSY.

<u>NO.</u>	<u>PART NO.</u>	<u>PART NAME</u>	<u>QTY.</u>	<u>REMARKS</u>
D	50223300	LOCTITE 221	1	
1\$		LEVER, SPEED CONTROL .....	1	NOT SOLD SEPARATELY
2\$		BRACKET, SPEED CONTROL .....	1	NOT SOLD SEPARATELY
3	04000100	SHIM	1	
4	50266100	CIRCLIP	2	
5	04037500	LEVER	1	
6\$	50328701	ALLEN SCREW	4	
7	04000200	TENSION SPRING	1	
8	01242811	GUIDE	1	
9	03799010	THIGH SPRING	1	
10	04052710	SPACER RING	1	
11	50412900	O-RING	2	
12	50129900	O-RING	1	
13	01279222	STOP RING. SPD. CONT. S	1	
14	03975602	CONSOLE	1	
15	50170600	ALLEN SCREW	3	
16	50507801	GRUB SCREW	2	
17	020106050	HEXAGON NUT .....	2	REPLACES P/N 50144400
20	03975801	LEVER	1	
21	03927301	SCREW	1	
22	50144500	WASHER, FLAT	1	
23	50346500	HEXAGON NUT	1	
24	01246803	SPEED CONTROL, ASSY. ....	1	INCLUDES ITEMS W/\$
26	50403500	GRUB SCREW	1	
37	01317000	VALVE, BREATHER, ASSY. ....	1	INCLUDES ITEMS W/@
38@	04080300	BREATHER CUP	1	
39@	03568701	DIAPHRAGM .....	1	REPLACES P/N 03568700
40@		BREATHER VALVE .....	1	NOT SOLD SEPARATELY
41@	04074700	BREATHER HOSE	1	
42@	04074800	BREATHER HOSE	1	
43	04080500	BUSH	2	
44	50081200	WASHER, LOCK	2	
45	50170700	ALLEN SCREW	2	
46@	04090500	CLAMP	1	
52	50453600	SUPPORTING DISC	1	
53	05046800	THIGH SPRING	1	
54	01494101	COUPLING SHELL	1	
74	50642000	CABLE CLAMPING ASSY. ....	1	INCLUDES ITEMS W/#
75#		BOLT, HEX. HD. ....	1	NOT SOLD SEPARATELY
76	50374400	ADJUSTING SCREW W/NUT.....	1	INCLUDES ITEM W/%
77%		NUT, HEX.....	1	NOT SOLD SEPARATELY
78	50170900	WASHER, LOCK	3	
79	04021000	BUSHING	3	
80	05179300	NUT. HEX.	1	
81	50328300	NUT, HEX.	2	

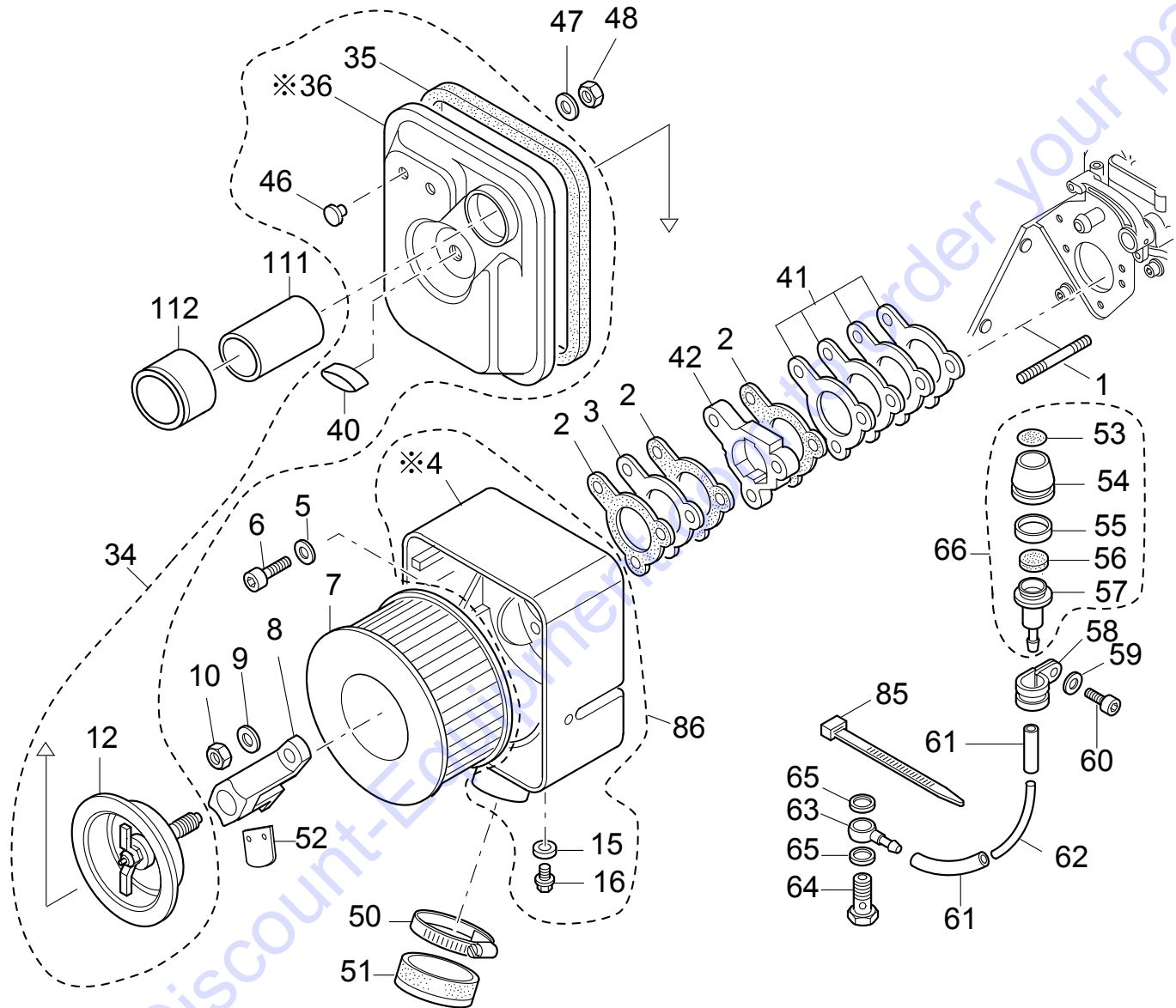
# HATZ 1D81S-325 ENGINE FUEL TANK ASSY.



## HATZ 1D81S-325 ENGINE FUEL TANK ASSY.

<u>NO.</u>	<u>PART NO.</u>	<u>PART NAME</u>	<u>QTY.</u>	<u>REMARKS</u>
2	01494200	FUEL TANK ASSY.....	1.....	INCLUDES ITEMS W/\$
3	05097600	WASHER	12	
4\$	03981802	RUBBER WASHER	12	
5\$	03981701	BUSH	6	
6\$	03981900	RUBBER SHELL	4	
7\$		FUEL TANK.....	1.....	NOT SOLD SEPARATELY
8	03989800	BUSH	2	
9	50377001	STUD	2	
10\$	50177500	ALLEN SCREW	4	
11\$	50385801	CAP, FUEL TANK	1	
12@	05323600	FUEL HOSE	1	
13@	50478800	FUEL FILTER, IN-LINE	1	
14@	05330000	FUEL HOSE	1	
15@	50523800	CLAMP	1	
16@	05240400	NIPPLE	1	
17@	50570900	CLAMP	1	
18@	03664310	FUEL HOSE	1	
19	01473610	FUEL FILTER W/HOSES .....	1.....	INCLUDES ITEMS W/@
20	50387300	FUEL FILTER/SIEVE	1	
21\$	50001000	JOINT A	1	
22\$	05126000	DRAIN PLUG	1	
23\$	05029200	BUSH	4	
24	03663710	FUEL HOSE	1	
25	01490300	PROTECT GUARD TOP W/SEAL.....	1.....	INCLUDES ITEMS W/%
26%		PROTECT GUARD .....	1.....	NOT SOLD SEPARATELY
27%	04030901	SEALING STRIP	1	
28	04008100	BRACKET, LIFTING	1	
30	50183000	ALLEN SCREW	1	
31	020108060	HEXAGON NUT.....	2.....	REPLACES P/N 50148000
32	50208500	WASHER, LOCK	6	
46	50177100	HEXAGON SCREW	1	
47	50158400	PIPE CLIP 14/15	2	
48	50144500	WASHER, FLAT	1	
49	020106050	HEXAGON NUT .....	1.....	REPLACES P/N 50144400
50	05031900	GUARD/FILTER	1	
51	50590000	CLAMP	1	
52\$	05235602	STICKER "DIESEL"	1	
53	04098400	SPACER TUBE	1	
54	50170900	WASHER, LOCK	1	
55	50323900	ALLEN SCREW	1	

# HATZ 1D81S-325 ENGINE AIR FILTER ASSY.

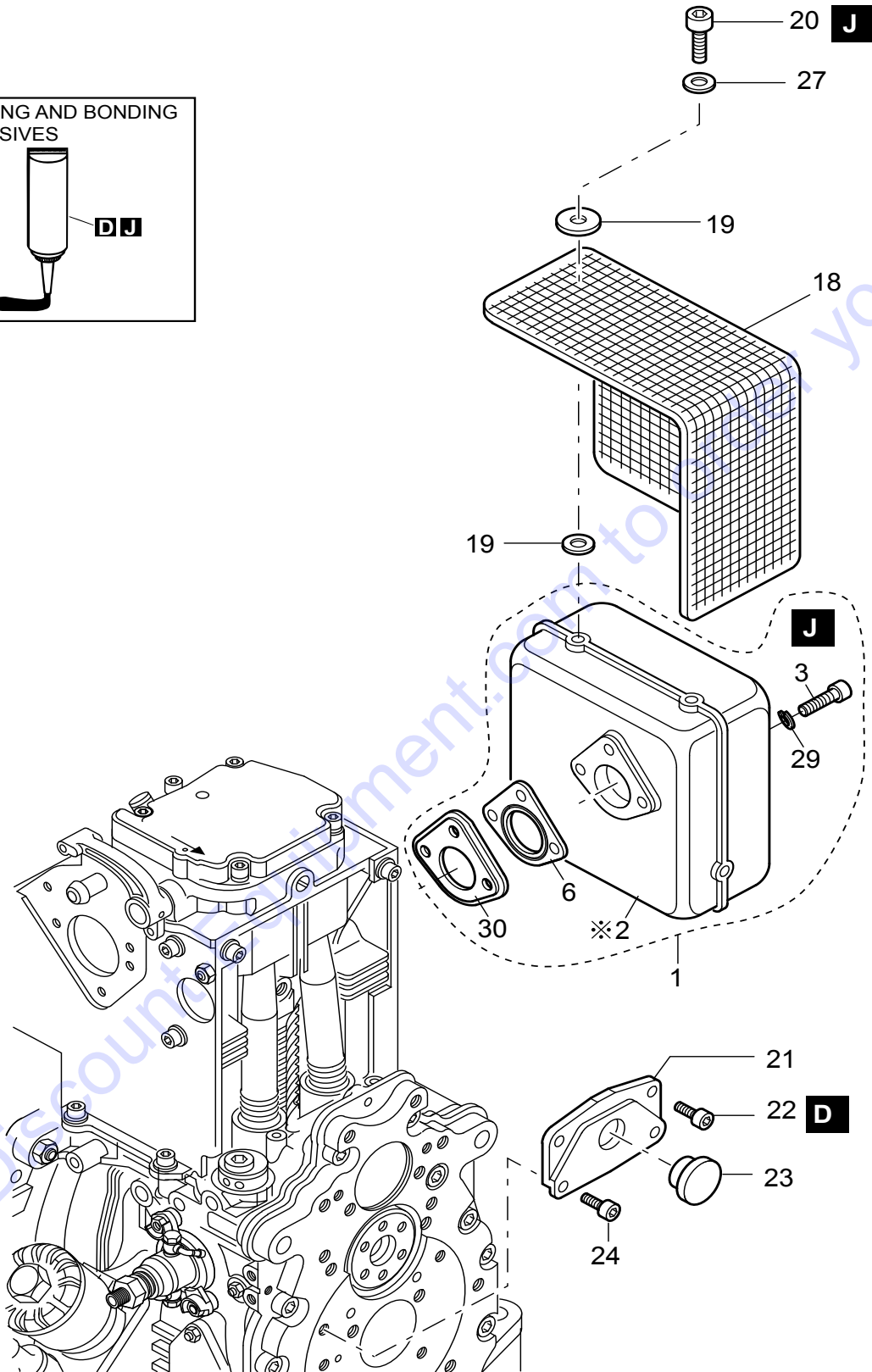


※ NOT SOLD SEPARATELY.

## HATZ 1D81S-325 ENGINE AIR FILTER ASSY.

<u>NO.</u>	<u>PART NO.</u>	<u>PART NAME</u>	<u>QTY.</u>	<u>REMARKS</u>
1	50038900	STUD	2	
2	04006300	GASKET, AIR FILTER	3	
3	04006200	INSULATING FLANGE	1	
4%		HOUSING, AIR CLEANER.....	1.....	NOT SOLD SEPARATELY
5	50095100	WASHER, LOCK	1	
6	50398400	ALLEN SCREW	1	
7	01493000	ELEMENT, AIR FILTER	1	
8	01483401	RETAINING BRACKET	1	
9	50148100	WASHER, FLAT	2	
10	50129500	HEXAGON NUT	2	
12#	02024200	CENTER RING COVER	1	
15%	50062400	JOINT A	1	
16%	50062300	ALLEN SCREW	1	
34	02280100	COVER, AIR FILTER, ASSY. ....	1.....	INCLUDES ITEMS W/#
35%#	04047701	SEAL STR. LG	1	
36#		COVER, AIR FILTER.....	1.....	NOT SOLD SEPARATELY
40#	50452200	WING SCREW	1	
41	01287900	GASKET, AIR FILTER	1	
42	04047300	INTERMEDIATE FLANGE	1	
46#		PLUG, AIR FILTER COVER.....	2.....	NOT SOLD SEPARATELY
47	50120000	DISC	2	
48	50602400	NUT	2	
50	50406600	HOSE CLIP	2	
51	00575900	CAP	1	
52	05033500	VALVE PLATE	1	
53\$	05044501	INDICATOR. PLATE	1	
54\$	05043601	RUBBER CAP	1	
55\$	05045600	SIGNAL RING	1	
56\$	05137200	FILTER, MAINTENANCE INDICATOR	1	
57\$	05043700	ADAPTER	1	
58	50173500	PIPE CLIP	1	
59	50170900	WASHER, LOCK	1	
60	50170600	ALLEN SCREW	1	
61	05325400	FUEL HOSE	2	
62	05043800	HOSE	1	
63	50159500	RING PIECE	1	
64	50006200	BANJO BOLT	1	
65	50062400	JOINT A	2	
66	01499801	MAINTENANCE INDICATOR, ASSY. ....	1.....	INCLUDES ITEMS W/\$
85	50358400	STRAP	1	
86	01486601	AIR FILTER HOUSING, ASSY., W/SEAL.....	1.....	INCLUDES ITEMS W/%
111	469467010	INTAKE PIPE, CLEANER	1	
112	466462840	DUCT GROMMET	1	

# HATZ 1D81S-325 ENGINE MUFFLER ASSY.



※ NOT SOLD SEPARATELY

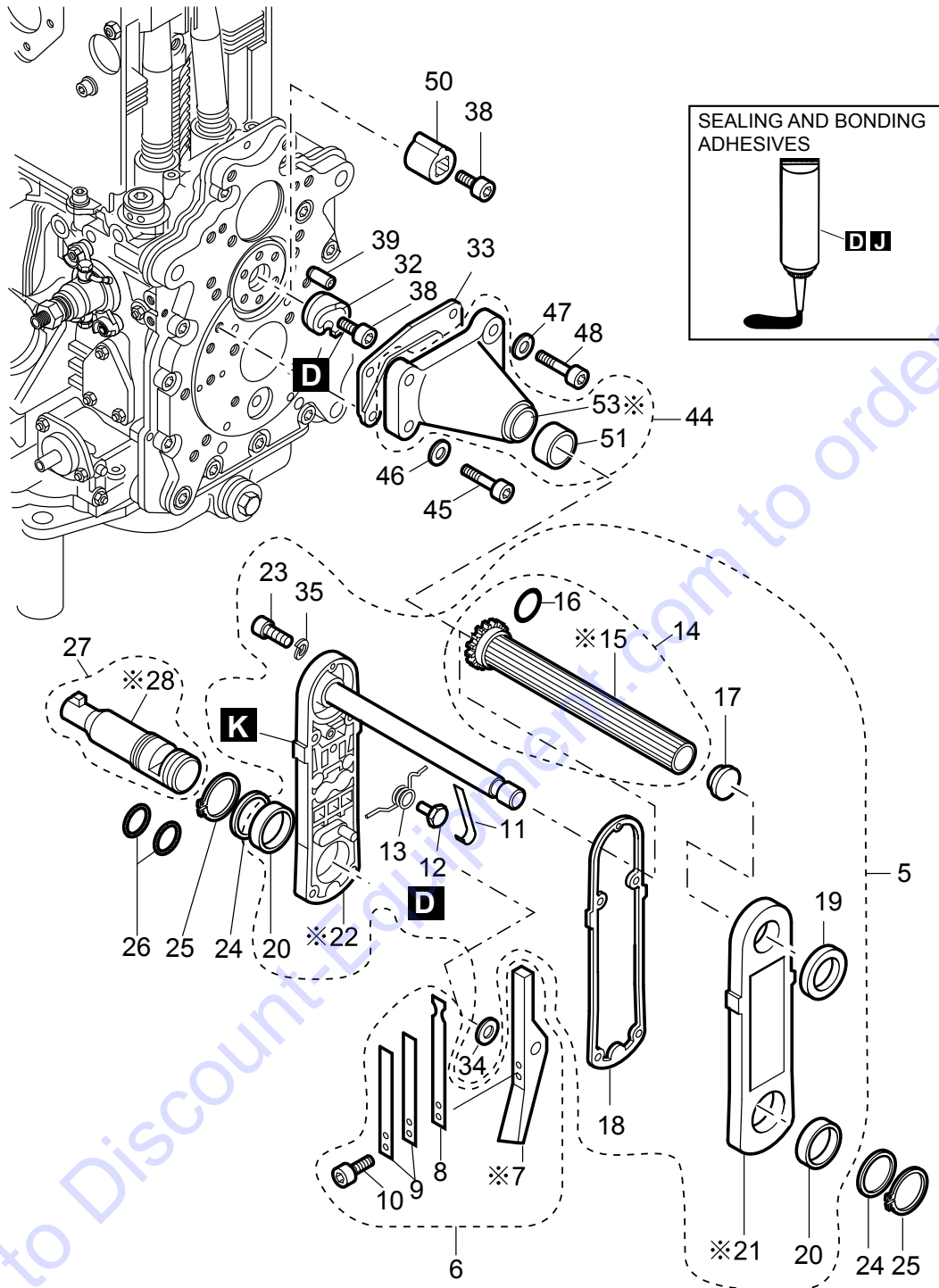
## HATZ 1D81S-325 ENGINE MUFFLER ASSY.

<u>NO.</u>	<u>PART NO.</u>	<u>PART NAME</u>	<u>QTY.</u>	<u>REMARKS</u>
D	50223300	LOCTITE 221	1	
J	50283004	HIGH TEMPERATURE PASTE	1	
1	01498803	EXHAUST SILENCER ASSY. ....	1	INCLUDES ITEMS W/\$
2\$		SILENCER, EXHAUST .....	1	NOT SOLD SEPARATELY
3\$	50404000	ALLEN SCREW	3	
6\$	03974300	GASKET EXHAUST SILENCER	1	
18	01191902	MUFFLER, GUARD	1	
19	05034202	WASHER, LOCK	10	
20	50255700	ALLEN SCREW	5	
21	03985300	GUARD	1	
22	50135700	ALLEN SCREW	2	
23	40091400	CLOSING CAP	1	
24	50165400	ALLEN SCREW	2	
27	50120000	WASHER, FLAT	5	
29\$	50208500	WASHER, LOCK	3	
30\$	04125601	SEALING PLATE	1	

Go to Discount-Equipment.com to order your parts



# HATZ 1D81S-325 ENGINE STARTING HANDLE ASSY.

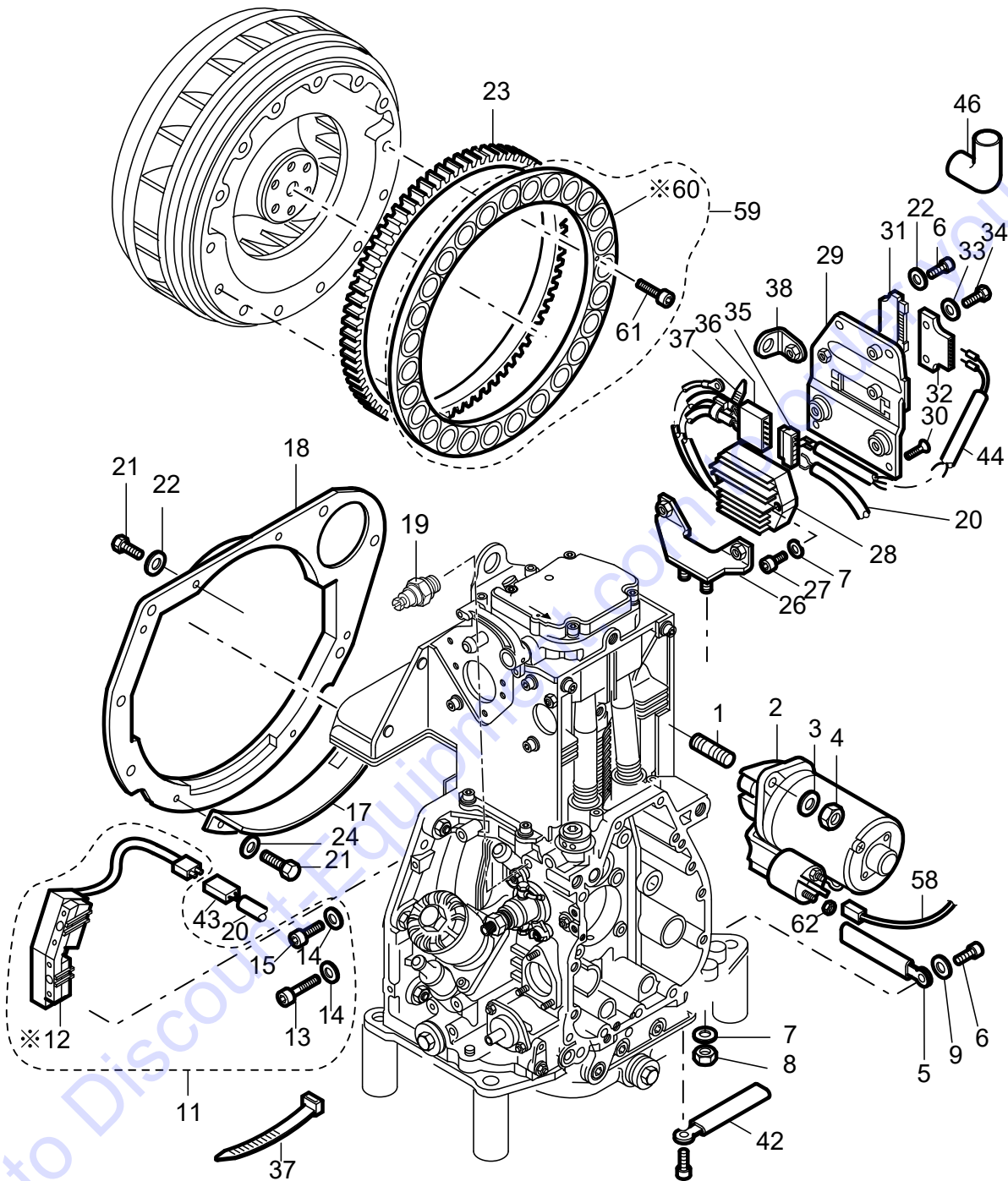


※ NOT SOLD SEPARATELY.

## HATZ 1D81S-325 ENGINE STARTING HANDLE ASSY.

<u>NO.</u>	<u>PART NO.</u>	<u>PART NAME</u>	<u>QTY.</u>	<u>REMARKS</u>
D	50223300	LOCTITE 221	1	
K	50342600	HIGH TEMPERATURE FETT	1	
5	01027805	CRANK HANDLE-SAFETY, ASSY. ....	1	INCLUDES ITEMS W/\$
6\$	01011404	LEVER, ASSY. ....	1	INCLUDES ITEMS W/@
7\$@		LEVER .....	1	NOT SOLD SEPARATELY
8\$@	03812102	PLATE SPRING	1	
9\$@	03917100	PLATE SPRING	2	
10\$@	50316500	ALLEN SCREW	2	
11\$	03954900	PLATE SPRING	1	
12\$	03955600	HEXAGON SCREW	1	
13\$	03955900	SPRING A	1	
14\$	01011310	HANDLE, OUTER W/O-RING .....	1	INCLUDES ITEMS W/#
15\$#		HANDLE, OUTER.....	1	NOT SOLD SEPARATELY
16\$#	50169100	O-RING	1	
17\$	50199200	CLOSING PLUG	1	
18\$	03813000	GASKET	1	
19\$	50194200	OIL SEAL	1	
20\$	50193400	BUSH	2	
21\$		HOLDER, CRANK HANDLE, OUTER .....	1	NOT SOLD SEPARATELY
22\$		HOLDER, CRANK HANDLE, INNER.....	1	NOT SOLD SEPARATELY
23\$	50236600	ALLEN SCREW	5	
24	03928610	SHIM	2	
25	50194300	CIRCLIP	2	
26	50258500	O-RING	2	
27	01187202	SHAFT, CRANK HANDLE .....	1	INCLUDES ITEM W/+
28+		SHAFT .....	1	NOT SOLD SEPARATELY
32	04020310	CRANK JOW LEFT	1	
33	03985300	GUARD	1	
34\$	50195800	SHIM	1	
35\$	50170900	WASHER, LOCK	5	
38	50134900	ALLEN SCREW	1	
39	50387100	CYLINDER PIN	1	
44	01459500	GUIDING SHELL, W/BUSHING.....	1	INCLUDES ITEM W/%
45	50183000	ALLEN SCREW	2	
46	50148100	WASHER, FLAT	2	
47	50145900	WASHER, FLAT	2	
48	50327800	ALLEN SCREW	2	
50	04082900	CRANKING DEVICE	1	
51%	50387601	BUSHING 1"	1	
53%		GUIDING SHELL .....	1	NOT SOLD SEPARATELY

# HATZ 1D81S-325 ENGINE STARTING MOTOR ASSY.

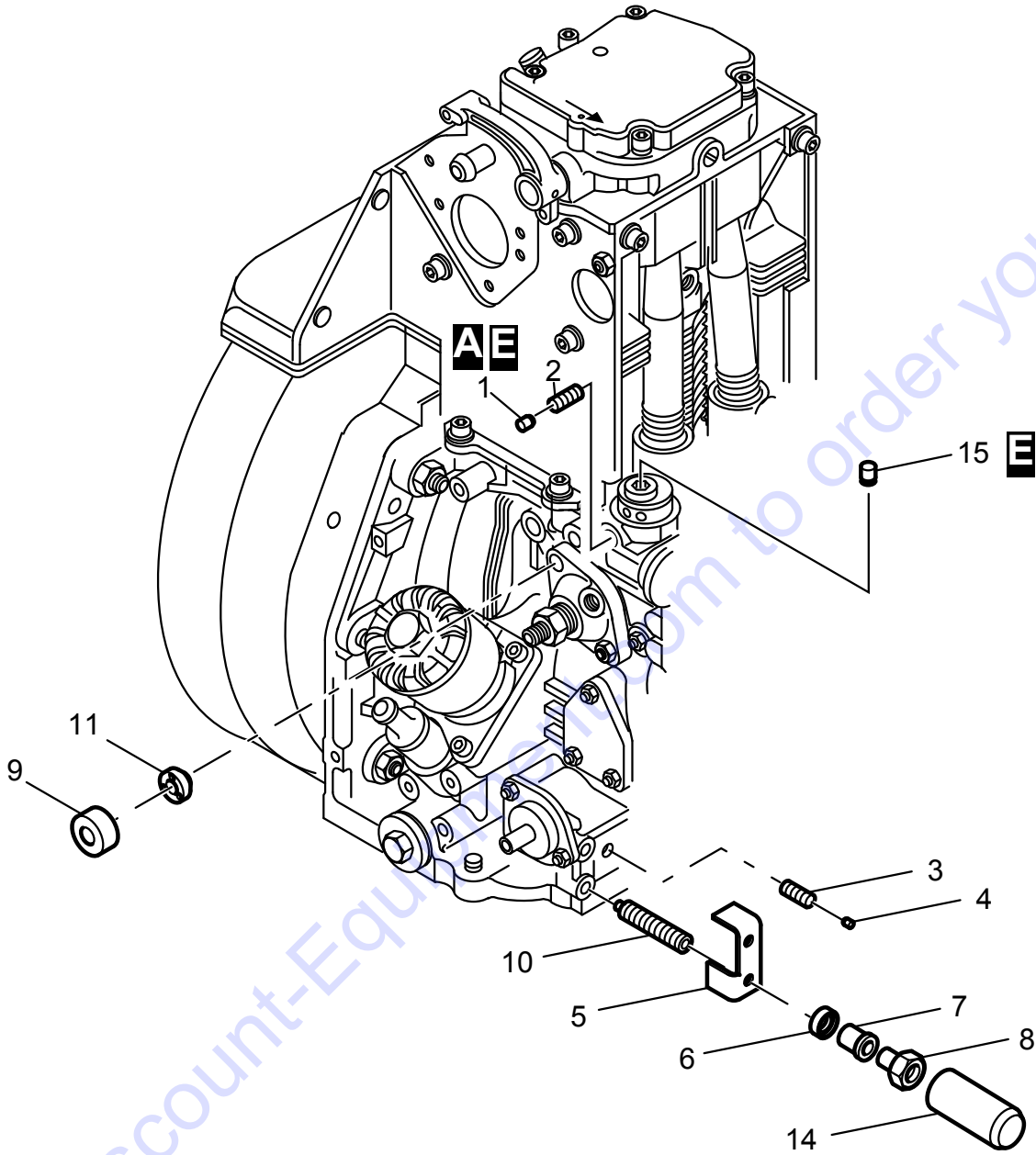


※ NOT SOLD SEPARATELY.

## HATZ 1D81S-325 ENGINE STARTING MOTOR ASSY.

<u>NO.</u>	<u>PART NO.</u>	<u>PART NAME</u>	<u>QTY.</u>	<u>REMARKS</u>
1	50486400	STUD	2	
2	50495901	STARTING MOTOR ASSY.	1	
3	50093700	WASHER, FLAT	2	
4	50380600	HEXAGON NUT	2	
5	05001200	CLIP	2	
6	50149100	ALLEN SCREW	2	
7	50208500	WASHER, LOCK	4	
8	020108060	HEXAGON NUT .....	2	REPLACES P/N 50148000
9	50144500	WASHER, FLAT	1	
11	01592400	COIL ASSY. 12V 200W .....	1	INCLUDES ITEMS W/\$
12\$		COIL.....	1	NOT SOLD SEPARATELY
13\$	50448800	ALLEN SCREW	1	
14\$	50390701	CON. WASHER, LOCK	2	
15\$	50448700	ALLEN SCREW	1	
17	04021100	PROTECT. ALTERNATOR	1	
18	04009920	PARTING SHEET	1	
19	50272201	OIL PRESSURE SWITCH	1	
20	01558300	ELECTRIC WIRE .....	1	REPLACES P/N 01462800
21	50165500	HEXAGON SCREW	5	
22	50170900	WASHER, LOCK	6	
23	04021210	GEAR, RING	1	
24	50144500	WASHER, FLAT	2	
26	01440303	SUPPORT	1	
27	50183000	ALLEN SCREW	2	
28	01983800	REGULATOR 12V	1	
29	01440100	FASTENING PLATE	1	
30	50422501	COUNTER SUNK SCREW	2	
31	50373700	PLUG SLEEVE HOUSING	1	
32	50373600	PIN TERM. HOUSING 6-WAY	1	
33	50216300	WASHER	2	
34	50335700	HEXAGON SCREW	2	
35	50402100	PLUG SLEEVE HOUSING	1	
36	50402000	PLUG HOUSING 4-P	1	
37	50358400	STRAP	4	
38	01440200	SUPPORT	1	
42	05023900	CLIP	2	
43	50379700	PLUG HOUSING 2-P	1	
44	01439400	WIRING HARNESS	1	
46	40026600	PROTECTION CAP	1	
58	01193401	ELECT. WIRE STARTER	1	
59	01587300	MAGNETIC RING, ASSY. 200W .....	1	INCLUDES ITEMS W/%
60%		MAGNETIC RING .....	1	NOT SOLD SEPARATELY
61%	50446900	ALLEN SCREW	14	
62	50344700	HEXAGON NUT	1	

# HATZ 1D81S-325 ENGINE SPEC. EQUIPMENT ASSY.



## HATZ 1D81S-325 ENGINE SPEC. EQUIPMENT ASSY.

<u>NO.</u>	<u>PART NO.</u>	<u>PART NAME</u>	<u>QTY.</u>	<u>REMARKS</u>
A	50223001	LOCTITE ACTIVATOR N	1	
E	50223400	LOCTITE 574	1	
1	04167010	CLOSING PLUG	1	
2	50004600	GRUB SCREW	1	
3	50403500	GRUB SCREW	1	
4	04153700	CLOSING PLUG	1	
5	04153800	SUPPORT	1	
6	04134200	DISC	1	
7	04129700	BUSHING	1	
8	04126700	THREADED BUSHING	1	
9	04244500	CAP	2	
10	50507800	GRUB SCREW	2	
11	04239200	SECURING NUT	2	
14	04187700	CAP	1	
15	04205900	CLOSING PLUG	1	

# PARTS FINDER

**Search Website  
by Part Number**



**Search Manual  
Library For Parts  
Manual & Lookup Part  
Numbers – Purchase  
or Request Quote**

**Search Manuals**

Enter your information to help us find the right parts manual for your machine.

\* Brand:

\* Model:

\* Serial:

\* Part Number:

SEARCH

**Can't Find Part or  
Manual? Request Help  
by Manufacturer,  
Model & Description**

**Parts Order Form**

Please fill in the following information to help us find the right part for your machine.

Manufacturer:	<input type="text"/>
Model:	<input type="text"/>
Description:	<input type="text"/>
Part Number:	<input type="text"/>
Quantity:	<input type="text"/>
Notes:	<input type="text"/>

Submit

Discount-Equipment.com is your online resource for quality parts & equipment.

Florida: **561-964-4949** Outside Florida TOLL FREE: **877-690-3101**

**Need parts?**

Click on this link: <http://www.discount-equipment.com/category/5443-parts/> and choose one of the options to help get the right parts and equipment you are looking for. Please have the machine model and serial number available in order to help us get you the correct parts. If you don't find the part on the website or on one of the online manuals, please fill out the request form and one of our experienced staff members will get back to you with a quote for the right part that your machine needs.

We sell worldwide for the brands: Genie, Terex, JLG, MultiQuip, Mikasa, Essick, Whiteman, Mayco, Toro Stone, Diamond Products, Generac Magnum, Airman, Haulotte, Barreto, Power Blanket, Nifty Lift, Atlas Copco, Chicago Pneumatic, Allmand, Miller Curber, Skyjack, Lull, Skytrak, Tsurumi, Husquvarna Target, Stow, Wacker, Sakai, Mi-T-M, Sullair, Basic, Dynapac, MBW, Weber, Bartell, Bennar Newman, Haulotte, Ditch Runner, Menegotti, Morrison, Contec, Buddy, Crown, Edco, Wyco, Bomag, Laymor, EZ Trench, Bil-Jax, F.S. Curtis, Gehl Pavers, Heli, Honda, ICS/PowerGrit, IHI, Partner, Imer, Clipper, MMD, Koshin, Rice, CH&E, General Equipment, Amida, Coleman, NAC, Gradall, Square Shooter, Kent, Stanley, Tamco, Toku, Hatz, Kohler, Robin, Wisconsin, Northrock, Oztec, Toker TK, Rol-Air, APT, Wylie, Ingersoll Rand / Doosan, Innovatech, Con X, Ammann, Mecalac, Makinex, Smith Surface Prep, Small Line, Wanco, Yanmar