



Always Innovative. Always Reliable.

Experience, Trust, Service

3.5 Cu. Ft. M-Series Blast Pot

Part Numbers & Schematics Guide





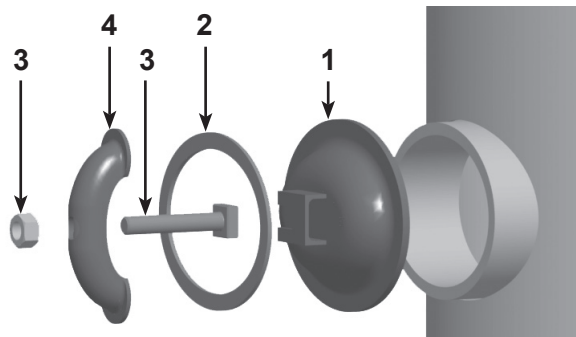
Part Numbers	Metering Valve	Remote Control System			Standard Features	Upgrade Options				
	Bantam Abrasive Metering Valve	KwikFire Remote Control Switch	KwikFire Remote Control System	Pneumatic vs. Electric	Exhaust Muffler	Moisture Separator				
						Loading Skid	1-1/4" x 1-1/4" Extractor	1-1/2" x 1-1/2" Extractor	1-1/4" x 1-1/4" Jr. Extractor	1" x 1-1/4" Jr. Extractor
1035201	1"	150	125	PN	X					
1035202	1-1/4"	150	125	PN	X					
1035203	1-1/2"	150	125	PN	X					
1035204	1"	156	125	12V	X					
1035205	1-1/4"	156	125	12V	X					
1035206	1-1/2"	156	125	12V	X					
1035207	1"	156	125	120V	X					
1035208	1-1/4"	156	125	120V	X					
1035209	1-1/2"	156	125	120V	X					
1035201PKA	1"	150	125	PN	X					X
1035202PKA	1-1/4"	150	125	PN	X				X	
1035203PKA	1-1/2"	150	125	PN	X				X	
1035204PKA	1"	156	125	12V	X					X
1035205PKA	1-1/4"	156	125	12V	X				X	
1035206PKA	1-1/2"	156	125	12V	X				X	
1035207PKA	1"	156	125	120V	X					X
1035208PKA	1-1/4"	156	125	120V	X				X	
1035209PKA	1-1/2"	156	125	120V	X				X	

3.5 Cu. Ft. M-Series Blast Pot

		Configurations										
		Metering Valve		Remote Control System			Standard Features		Upgrade Options			
		Bantam	KwikFire Remote Control Switch	KwikFire Remote Control System	Pneumatic vs. Electric	Muffler	Moisture Separator					
Loading Skid	1-1/4" x 1-1/4" Extractor						1-1/2" x 1-1/2" Extractor	1-1/4" x 1-1/4" Jr. Extractor	1" x 1-1/4" Jr. Extractor			
Part Numbers	1035201LS	1"	150	125	PN	X	X					
	1035202LS	1-1/4"	150	125	PN	X	X					
	1035203LS	1-1/2"	150	125	PN	X	X					
	1035204LS	1"	156	125	12V	X	X					
	1035205LS	1-1/4"	156	125	12V	X	X					
	1035206LS	1-1/2"	156	125	12V	X	X					
	1035207LS	1"	156	125	120V	X	X					
	1035208LS	1-1/4"	156	125	120V	X	X					
	1035209LS	1-1/2"	156	125	120V	X	X					
	1035201PKALS	1"	150	125	PN	X	X				X	
	1035202PKALS	1-1/4"	150	125	PN	X	X			X		
	1035203PKALS	1-1/2"	150	125	PN	X	X			X		
	1035204PKALS	1"	156	125	12V	X	X				X	
	1035205PKALS	1-1/4"	156	125	12V	X	X			X		
	1035206PKALS	1-1/2"	156	125	12V	X	X			X		
	1035207PKALS	1"	156	125	120V	X	X				X	
	1035208PKALS	1-1/4"	156	125	120V	X	X			X		
	1035209PKALS	1-1/2"	156	125	120V	X	X			X		

Blast Pot Schematic

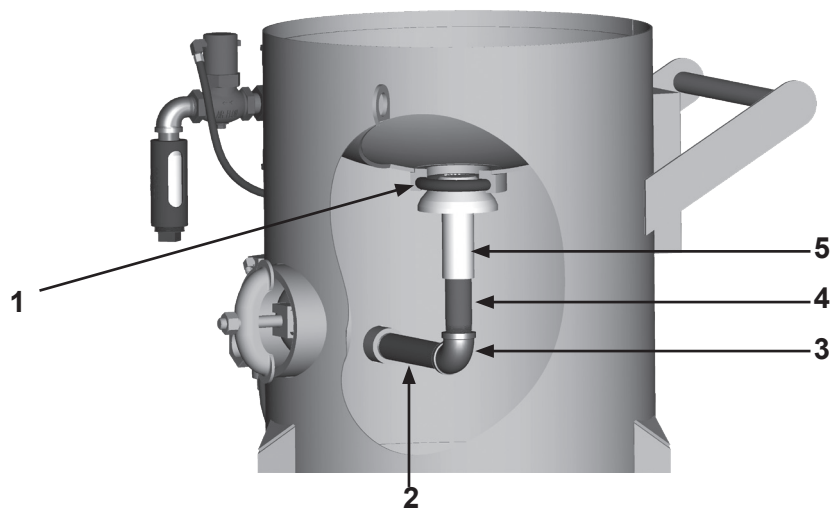
Figure 1



Item #	Part #	Description
Fig. 1		
-	1006200	6" x 8" Inspection Door Assembly (includes: 1, 2, 3, and 4)
1	1006212	6" x 8" Inspection Door Hatch
2	1006201	6" x 8" Inspection Door Gasket
3	1006215	Inspection Door Bolt and Nut Assembly
4	1006214	Handhole Crab

Blast Pot Schematic

Figure 2



Item #	Part #	Description
Fig. 2		
1	1006050	Pop-Up Valve Seat
2	1011200	1-1/4" NPT x 7" Pipe Nipple
3	1006204	1-1/4" 90 Degree Elbow
4	1011207	1-1/4" NPT x 4" Pipe Nipple
5	1006020	Pop-Up Valve - External Sleeve



Blast Pot Schematic

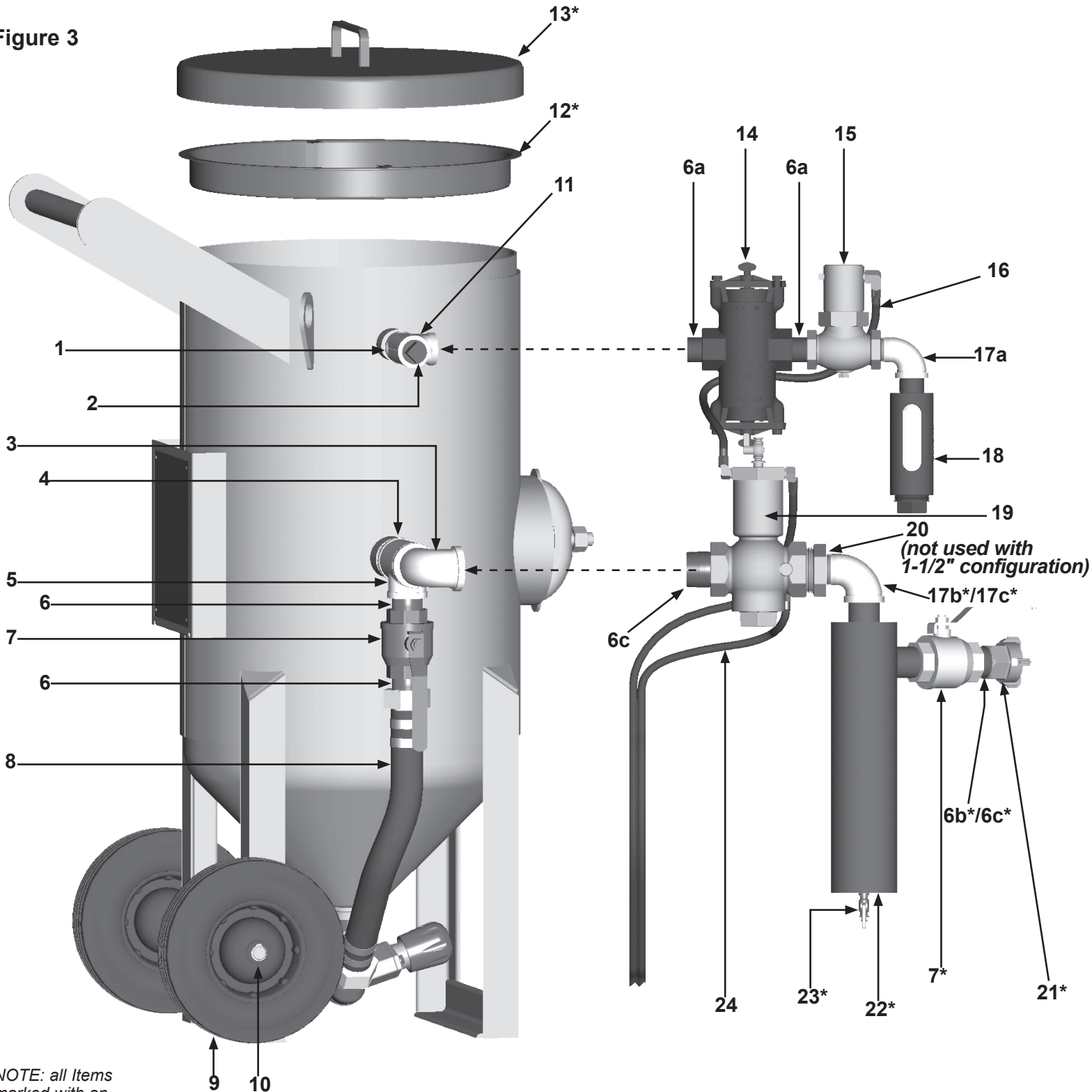
Item #	Part #	Description
Fig. 3		
1	1012151	1" NPT Close Nipple
2	1011901	1" NPT Square Head Pipe Plug
3	1011839	1-1/2" NPT Street Elbow
4	1011201	1-1/4" NPT Close Nipple
5a	1011835	1-1/4" x 1-1/2" x 1" NPT Pipe Tee
5b	1011834	1-1/4" x 1-1/2" x 1-1/4" NPT Pipe Tee
5c	1011833	1-1/4" x 1-1/2" x 1-1/2" NPT Pipe Tee
6a	1012151	1" NPT Close Nipple
6b	1011201	1-1/4" NPT Close Nipple)
6c	1014015	1-1/2" NPT Close Nipple
7a	1011601	1" NPT Full Port Brass Ball Valve
7b	1011602	1-1/4" NPT Full Port Brass Ball Valve
7c	1011603	1-1/2" NPT Full Port Brass Ball Valve
8a	1006310	1" I.D. Air Hose Pusher Line Service Kit (See Fig. 4)
8b	1006311	1-1/4" I.D. Air Hose Pusher Line Service Kit (See Fig. 4)
8c	1006312	1-1/2" I.D. Air Hose Pusher Line Service Kit (See Fig. 4)
9	1006067	10" Wheel (2 required)
10	1006211	Wheel Clip (2 required)
11	1011816	1" NPT Pipe Tee
12*	1035061	Screen for 18" Diameter Blast Pot (optional)
13*	1035060	Lid for 18" Diameter Blast Pot (optional)
14	1012000	1" Abrasive Trap - Complete
15	1012050	1" Outlet Valve - Complete
16	10CL18	18" Single Control Line
17a	1011801	1" NPT Street Elbow
17b*	1011802	1-1/4" NPT Street Elbow (optional)
17c*	1011839	1-1/2" NPT Street Elbow (optional)
18	1011100	Muffler Assembly - Complete (includes 1" NPT Close Nipple)
19	1012200	1-1/2" Inlet Valve - Complete
20	1011501	1-1/2" to 1-1/4" NPT Bushing
21a*	10ME2	2-Lug Air Hose Coupling - 1" NPT (M) (optional)
21b*	10ME3	4-Lug Air Hose Coupling - 1-1/4" NPT (F) (optional)
21c*	10ME4	4-Lug Air Hose Coupling - 1-1/2" NPT (F) (optional)
22a*	1011750	1" X 1-1/4" Extractor Jr. Moisture Separator - (includes 6, 7, 17, 21, 22, 23) (optional)
22b*	10101314	1-1/4" Extractor Jr. Moisture Separator - (includes 6, 7, 17, 21, 22, 23) (optional)
22c*	10101313	1-1/2" Extractor Moisture Separator - (includes 6, 7, 17, 21, 22, 23) (optional)
23*	1012101	1/4" NPT Brass Petcock (optional)
24	10TL5	5 ft. of Coupled Twinline
-	1090057	3.5 Cu. Ft. M-Series Blast Pot with KwikFire 125 Remote Control System Operator's Manual

*optional

3.5 Cu. Ft. M-Series Blast Pot

Blast Pot Schematic

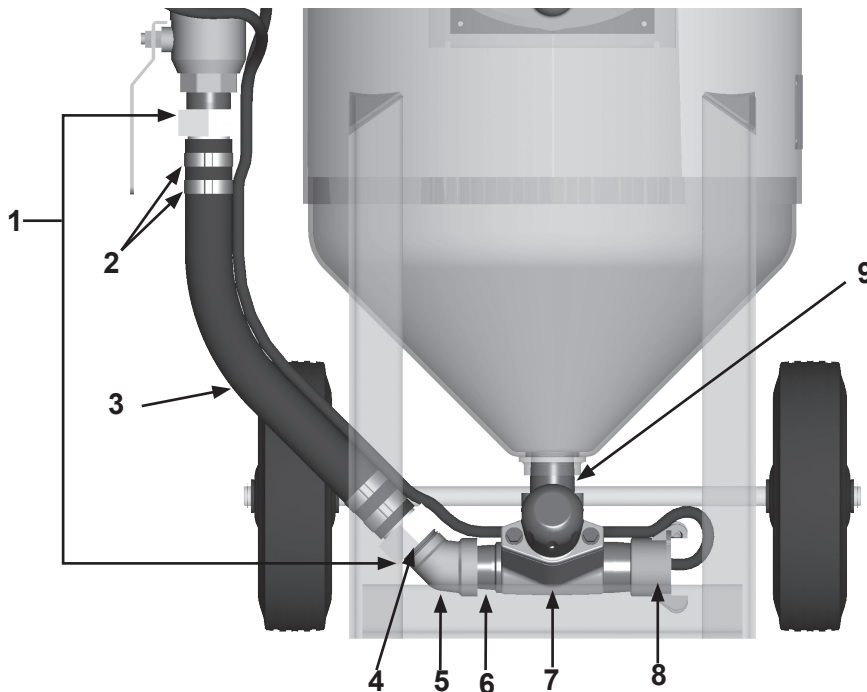
Figure 3



NOTE: all Items marked with an asterisk (*) are optional.

Blast Pot Schematic

Figure 4



Item #	Part #	Description
Fig. 4		
1a	1006310	1" I.D. Pusher Line Service Kit (For Use On 1014100) (includes Items: 3a) Quantity of 3 Ft., 2) Quantity of 4 and 4a) Quantity of 2)
1b	1006311	1-1/4" I.D. Pusher Line Service Kit (For Use On 1014101) (includes Items: 3b) Quantity of 3 Ft., 2) Quantity of 4 and 4b) Quantity of 2)
1c	1006312	1-1/2" I.D. Pusher Line Service Kit (For Use On 1014102) (includes Items: 3c) Quantity of 3 Ft., 2) Quantity of 4 and 4c) Quantity of 2)
2	1015503	Screw Type Hose Clamp (4 required)
3a	10AH100B	Air Hose - 1" I.D. (per ft.) (3 ft. required)
3b	10AH114B	Air Hose - 1-1/4" I.D. (per ft.) (3 ft. required)
3c	10AH112B	Air Hose - 1-1/2" I.D. (per ft.) (3 ft. required)
4a	10SFE2	Swivel Air Hose End - 1" NPT (for use with 1006310) (2 required)
4b	10SFE3	Swivel Air Hose End - 1-1/4" NPT (for use with 1006311) (2 required)
4c	10SFE4	Swivel Air Hose End - 1-1/2" NPT (for use with 1006312) (2 required)
5a	1011838	1" NPT 45 Degree Street Elbow
5b	1011830	1-1/4" NPT 45 Degree Street Elbow
5c	1011805	1-1/2" NPT 45 Degree Street Elbow
6	1012151	1" NPT Close Nipple (for use with 1014100 only)
7a	1014100	1" Bantam Metering Valve - Complete
7b	1014101	1-1/4" Bantam Metering Valve - Complete
7c	1014102	1-1/2" Bantam Metering Valve - Complete
8	10SB2	1-1/2" NPT Brass Tank Coupling
9	1011201	1-1/4" NPT Close Nipple

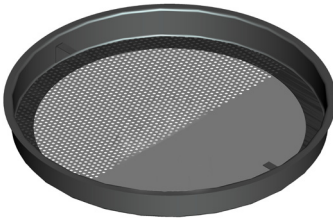
Accessories

Figure 5



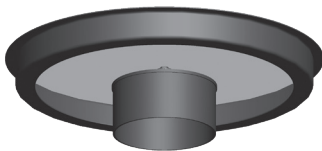
Item #	Part #	Description
Fig. 5		
-	1035060	18" Lid

Figure 6



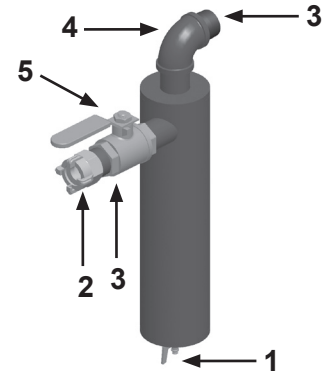
Item #	Part #	Description
Fig. 6		
-	1035061	18" Screen

Figure 7



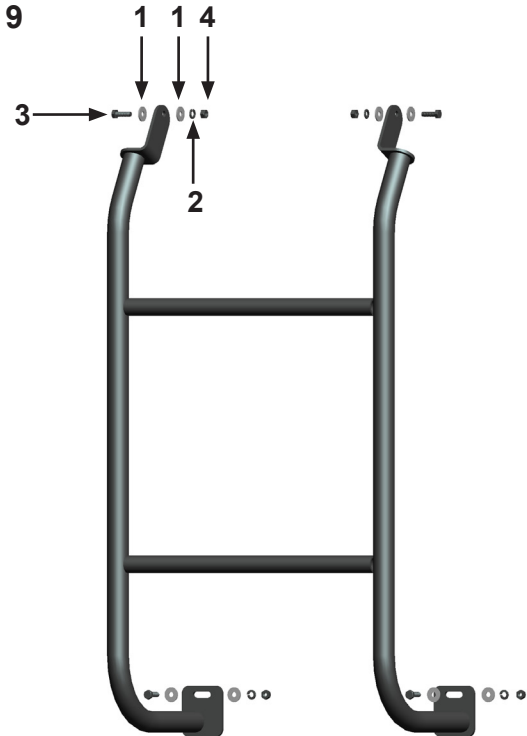
Item #	Part #	Description
Fig. 7		
-	10100732	Abrasive Umbrella* <i>*Shown with Optional Screen</i>

Figure 8



Item #	Part #	Description
Fig. 8		
-	10101313	1-1/2" Extractor Moisture Separator
1	1012101	1/4" NPT Brass Petcock
2	10ME4	4-Lug Air Hose Coupling - 1-1/2" NPT (F)
3	1014015	1-1/2" NPT Close Nipple
4	1011842	1-1/2" 90 Degree Elbow
5	1011603	1-1/2" Full Port Brass Ball Valve

Figure 9



Item #	Part #	Description
Fig. 9		
-	1035040	3.5 Cu. Ft. Load Skid
1	10L805003	5/16" Flat Washer - Zinc
2	10L805014	5/16" Lock Washer
3	1035045	5/16" - 18" x 1" Bolt
4	1035046	5/16" - 18" Nut



Always Innovative. Always Reliable.

Experience, Trust, Service

Nationwide Shipping Locations

45+
SHIPPING
LOCATIONS
NATIONWIDE



★ Marco Regional Branch Offices and/or Shipping Locations

● Direct Shipping Locations

Contact Us



GLOBAL HEADQUARTERS

» 3425 East Locust Street
Davenport, IA 52803

ph: 800.BLAST.IT (800.252.7848)

ph: 563.324.2519

fax: 563.324.6258

REGIONAL BRANCH OFFICES

» **GA, Savannah**
800.252.7848

» **IA, Davenport**
563.324.2519

» **LA, Harvey**
504.361.3158

» **LA, Lafayette**
337.281.4070

» **OH, Columbus**
614.202.7601

» **PA, Harrisburg**
800.252.7848

» **TX, Corpus Christi**
361.244.8747

» **TX, Deer Park**
281.930.0905



GULF STATES HEADQUARTERS

» 701 East Boulevard
Deer Park, TX 77536

ph: 800.BLAST.IT (800.252.7848)

ph: 281.930.0905

fax: 281.542.0736

800.BLAST.IT | 800.252.7848 | FAX: 563.324.6258 | WWW.MARCO.US | EMAIL: SALES@MARCO.US