

PARTS MANUAL



GLOBUG MODEL GBX4S LIGHT CART

Revision #0 (05/28/20)



THIS MANUAL MUST ACCOMPANY THE EQUIPMENT AT ALL TIMES.

PARTS FINDER

**Search Website
by Part Number**



**Search Manual
Library For Parts
Manual & Lookup Part
Numbers – Purchase
or Request Quote**

Search Manuals

Enter your information to help us find the right parts manual for your machine.

* Brand:

* Model:

* Serial:

* Part Number:

SEARCH

**Can't Find Part or
Manual? Request Help
by Manufacturer,
Model & Description**

Parts Order Form

Please fill in the following information to help us find the right part for your machine.

Manufacturer:	<input type="text"/>
Model:	<input type="text"/>
Description:	<input type="text"/>
Part Number:	<input type="text"/>
Quantity:	<input type="text"/>
Notes:	<input type="text"/>

Discount-Equipment.com is your online resource for quality parts & equipment.

Florida: **561-964-4949** Outside Florida TOLL FREE: **877-690-3101**

Need parts?

Click on this link: <http://www.discount-equipment.com/category/5443-parts/> and choose one of the options to help get the right parts and equipment you are looking for. Please have the machine model and serial number available in order to help us get you the correct parts. If you don't find the part on the website or on one of the online manuals, please fill out the request form and one of our experienced staff members will get back to you with a quote for the right part that your machine needs.

We sell worldwide for the brands: Genie, Terex, JLG, MultiQuip, Mikasa, Essick, Whiteman, Mayco, Toro Stone, Diamond Products, Generac Magnum, Airman, Haulotte, Barreto, Power Blanket, Nifty Lift, Atlas Copco, Chicago Pneumatic, Allmand, Miller Curber, Skyjack, Lull, Skytrak, Tsurumi, Husquvarna Target, Stow, Wacker, Sakai, Mi-T-M, Sullair, Basic, Dynapac, MBW, Weber, Bartell, Bennar Newman, Haulotte, Ditch Runner, Menegotti, Morrison, Contec, Buddy, Crown, Edco, Wyco, Bomag, Laymor, EZ Trench, Bil-Jax, F.S. Curtis, Gehl Pavers, Heli, Honda, ICS/PowerGrit, IHI, Partner, Imer, Clipper, MMD, Koshin, Rice, CH&E, General Equipment, Amida, Coleman, NAC, Gradall, Square Shooter, Kent, Stanley, Tamco, Toku, Hatz, Kohler, Robin, Wisconsin, Northrock, Oztec, Toker TK, Rol-Air, APT, Wylie, Ingersoll Rand / Doosan, Innovatech, Con X, Ammann, Mecalac, Makinex, Smith Surface Prep, Small Line, Wanco, Yanmar

TABLE OF CONTENTS

GBX4S Light Cart

Explanation Of Code In Remarks Column.....	4
Suggested Spare Parts	5

Component Drawings

Nameplate And Decals Assembly	6-7
Frame Assembly	8-9
Mast Assembly	10-11
Lampstand Assembly	12-13
Led Spot Light Assembly	14-15
Generator Exterior Assembly	16-17
Fuel Tank Assembly.....	18-19
Air Cleaner Assembly	20-21
Carburetor Assembly	22-23
Inverter Assembly	24-25
Control Panel Assembly	26-27
Engine Service Parts.....	28-29

NOTICE

Specifications and part numbers are subject to change without notice.

EXPLANATION OF CODE IN REMARKS COLUMN

The following section explains the different symbols and remarks used in the Parts section of this manual. Use the help numbers found on the back page of the manual if there are any questions.

NOTICE

The contents and part numbers listed in the parts section are subject to change **without notice**. Multiquip does not guarantee the availability of the parts listed.

SAMPLE PARTS LIST

NO.	PART NO.	PART NAME	QTY.	REMARKS
1	12345	BOLT	1	INCLUDES ITEMS W/%
2%		WASHER, 1/4 IN.		NOT SOLD SEPARATELY
2%	12347	WASHER, 3/8 IN. ...	1	MQ-45T ONLY
3	12348	HOSE	A/R	MAKE LOCALLY
4	12349	BEARING	1	S/N 2345B AND ABOVE

NO. Column

Unique Symbols — All items with same unique symbol (@, #, +, %, or >) in the number column belong to the same assembly or kit, which is indicated by a note in the “Remarks” column.

Duplicate Item Numbers — Duplicate numbers indicate multiple part numbers, which are in effect for the same general item, such as different size saw blade guards in use or a part that has been updated on newer versions of the same machine.

NOTICE

When ordering a part that has more than one item number listed, check the remarks column for help in determining the proper part to order.

PART NO. Column

Numbers Used — Part numbers can be indicated by a number, a blank entry, or TBD.

TBD (To Be Determined) is generally used to show a part that has not been assigned a formal part number at the time of publication.

A blank entry generally indicates that the item is not sold separately or is not sold by Multiquip. Other entries will be clarified in the “Remarks” Column.

QTY. Column

Numbers Used — Item quantity can be indicated by a number, a blank entry, or A/R.

A/R (As Required) is generally used for hoses or other parts that are sold in bulk and cut to length.

A blank entry generally indicates that the item is not sold separately. Other entries will be clarified in the “Remarks” Column.

REMARKS Column

Some of the most common notes found in the “Remarks” Column are listed below. Other additional notes needed to describe the item can also be shown.

Assembly/Kit — All items on the parts list with the same unique symbol will be included when this item is purchased.

Indicated by:

“INCLUDES ITEMS W/(unique symbol)”

Serial Number Break — Used to list an effective serial number range where a particular part is used.

Indicated by:

“S/N XXXXX AND BELOW”

“S/N XXXX AND ABOVE”

“S/N XXXX TO S/N XXX”

Specific Model Number Use — Indicates that the part is used only with the specific model number or model number variant listed. It can also be used to show a part is NOT used on a specific model or model number variant.

Indicated by:

“XXXXX ONLY”

“NOT USED ON XXXX”

“Make/Obtain Locally” — Indicates that the part can be purchased at any hardware shop or made out of available items. Examples include battery cables, shims, and certain washers and nuts.

“Not Sold Separately” — Indicates that an item cannot be purchased as a separate item and is either part of an assembly/kit that can be purchased, or is not available for sale through Multiquip.

SUGGESTED SPARE PARTS

GBX4S LIGHT CART

1 to 3 units

Qty.	P/N	Description
3.....	A000085300	LED 200W SPOT LIGHT UNIT, LEFT ASSY.
3.....	A000085400	LED 200W SPOT LIGHT UNIT, RIGHT ASSY.
1.....	A200145000	FRONT COVER
1.....	A400479600	FAN MOTOR, 200W LED SPOT
3.....	EEN0006700	KNOB
3.....	A400187602	KNOB, BLACK
3.....	EEN0002000	GRIP, RECOIL STARTER

K80i GASOLINE ENGINE

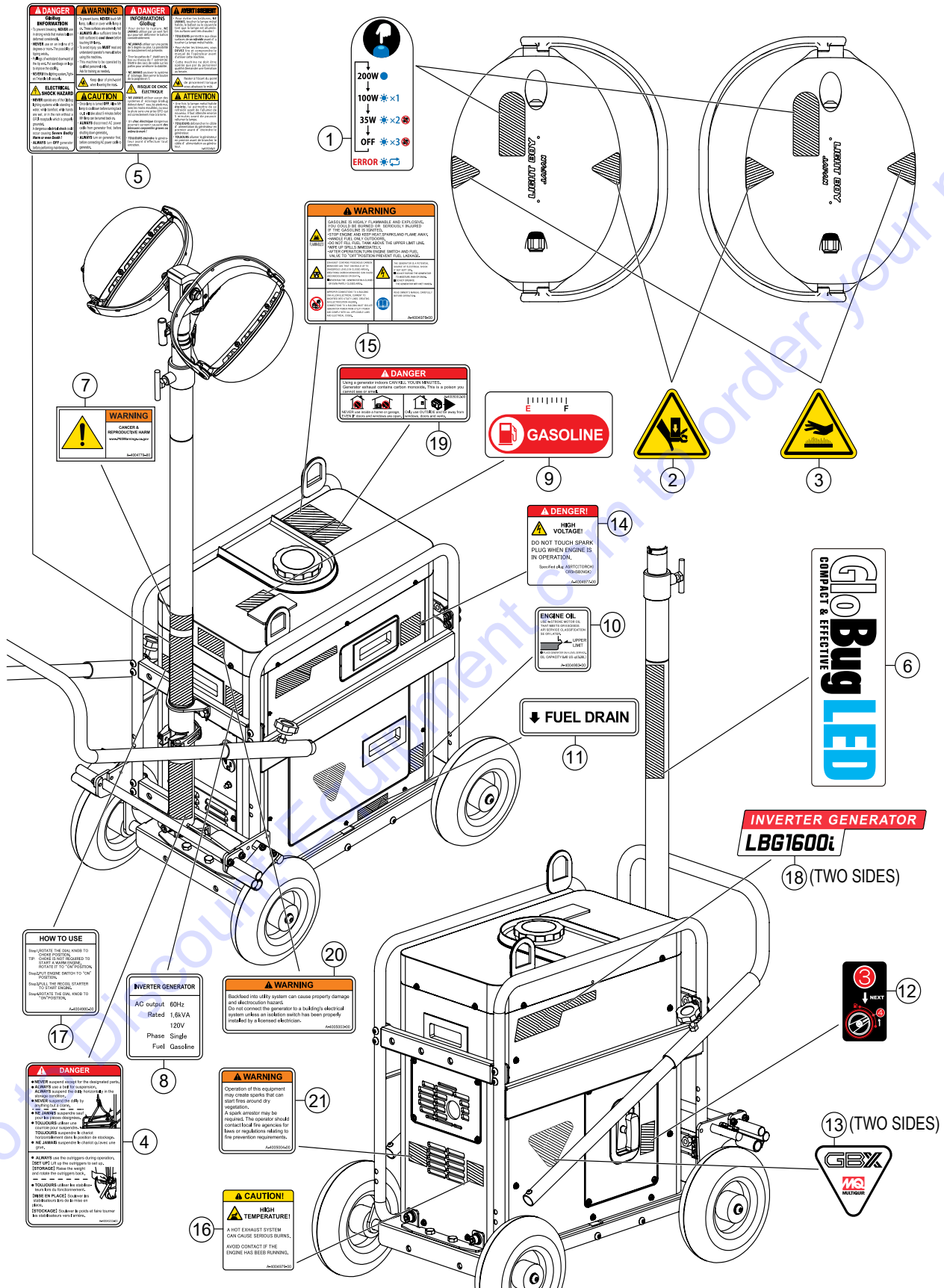
1 to 3 units

Qty.	P/N	Description
3.....	EEN0005600	FUEL FILTER
3.....	EEN0004500	ELEMENT, AIR CLEANER
3.....	EEN0015500	CAP, FUEL TANK
3.....	EEN0016100	FUEL COCK
3.....	EEN0015400	STRAINER, FUEL
3.....	EEN0004600	PLUG, SPARK

NOTICE

Part numbers on this Suggested Spare Parts list may supersede/replace the part numbers shown in the following parts lists.

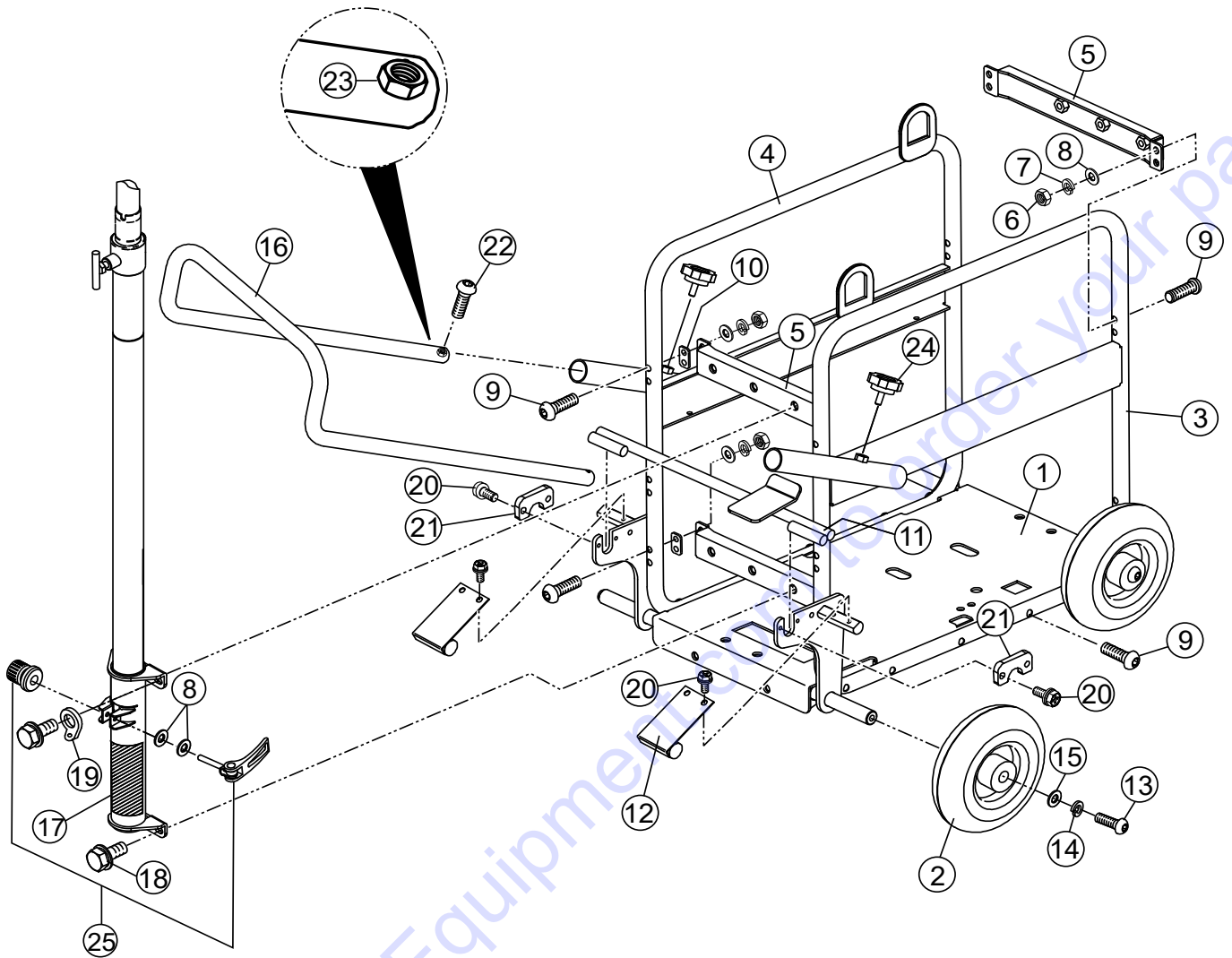
NAMEPLATE AND DECALS ASSY.



NAMEPLATE AND DECALS ASSY.

<u>NO.</u>	<u>PART NO.</u>	<u>PART NAME</u>	<u>QTY.</u>	<u>REMARKS</u>
1	A400494200	DECAL; DIMMER SWITCH	2	
2	A400492100	DECAL; FINGER CAUTION	2	
3	A400492200	DECAL; BURN HAZARD	2	
4	A400420300	DECAL; HOOK/OUTRIGGER	1	
5	A400324801	DECAL; MAIN	1	
6	A300402500	DECAL; NAME (GLO BUG LED)	1	
7	A400477900	DECAL; PROP. 65	1	
8	A400498100	DECAL; INVERTER GENERATOR	1	
9	A400498200	DECAL; GASOLINE	1	
10	A400498300	DECAL; ENGINE OIL	1	
11	A400498400	DECAL; FUEL DRAIN	1	
12	A400498500	DECAL; NO. 3	1	
13	A400499700	DECAL; NAME (GBX S)	2	
14	A400497700	DECAL; HIGH VOLTAGE	1	
15	A400497800	DECAL; WARNING	1	
16	A400497900	DECAL; HIGH TEMPERATURE	1	
17	A400498000	DECAL; HOW TO USE	1	
18	A300411200	DECAL; NAME LBG1600i	2	
19	A400500200	DECAL; NEVER USE INDOOR	1	
20	A400500300	DECAL; DO NOT CONNECT	1	
21	A400500400	DECAL; MAY CREATE SPARKS	1	

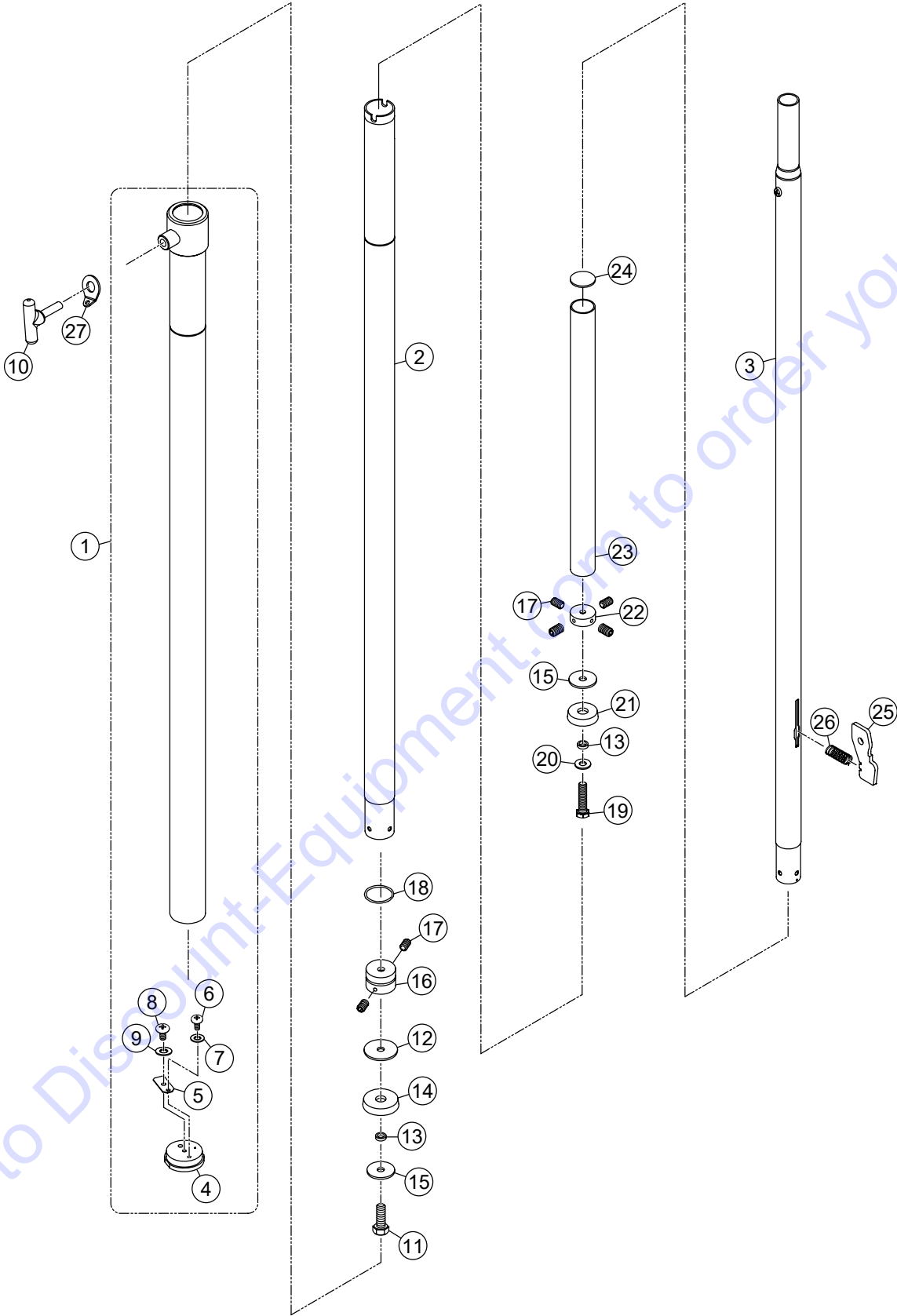
FRAME ASSY.



FRAME ASSY.

<u>NO.</u>	<u>PART NO.</u>	<u>PART NAME</u>	<u>QTY.</u>	<u>REMARKS</u>
1	A100148001	BASE PLATE	1	
2	1002200100	TIRE (2.50-4)	4	
3	A200152500	FRAME, LEFT	1	
4	A200152600	FRAME, RIGHT	1	
5	A200089106	SUB-FRAME	3	
6	0033108000	NUT M8	12	
7	030208200	WASHER, LOCK M8.....	12	REPLACES P/N 0043208000
8	0043108000	WASHER M8	14	
9	0014708040	HEX. HEAD BUTTON BOLT M8X40	22	
10	A400447200	SUPPORT PLATE, FRAME	4	
11	A200152400	BRAKE SHAFT COMPLETE	1	
12	A400452000	PLATE, BRAKE	2	
13	0014710020	HEX. HEAD BUTTON BOLT M10X20	4	
14	0043210000	WASHER, LOCK M10	4	
15	0043110000	WASHER M10	4	
16	A300278102	HANDLE	1	
17	A200062701	PIPE, MAST	1	
18	0013510025	BOLT AND WASHER M10X25	4	
19	2204510110	WASHER	2	
20	0015406012	PHILLIPS HEX UPSET BOLT M6X12	8	
21	A400443600	STOPPER PLATE	2	
22	0014906012	HEX. HEAD BUTTON BOLT M6X12	2	
23	0033206000	SELF-LOCK NUT M6	2	
24	E000042602	KNOB BOLT	2	
25	2212780310	LEVER W/NUT, CLAMP	1	

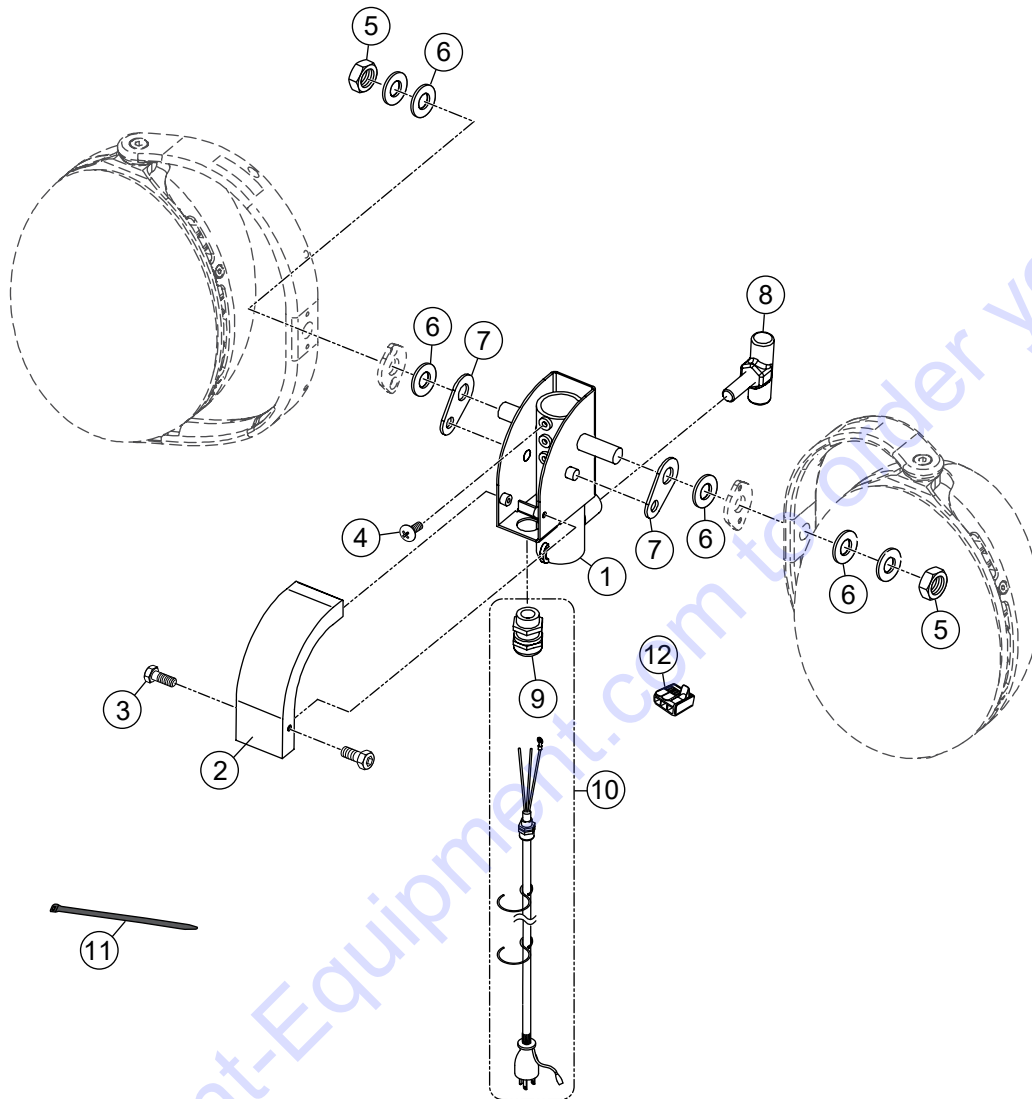
MAST ASSY.



MAST ASSY.

<u>NO.</u>	<u>PART NO.</u>	<u>PART NAME</u>	<u>QTY.</u>	<u>REMARKS</u>
1	A300240500	FIRST MAST.....	1.....	INCLUDES ITEMS W/#
2	A300394900	SECOND MAST W/SLIDER	1	
3	A300395001	THIRD MAST W/SLIDER	1	
4#	A400199700	PLUG	1	
5#	A400112700	RELIEF VALVE	1	
6#	0023104008	SCREW M4X8	1	
7#	0041210000	WASHER, FLAT M4.....	1.....	REPLACES P/N 0043104000
8#	0023105008	SCREW M5X8	1	
9#	0043105000	WASHER M5	1	
10	A400187602	TEE HANDLE, BLACK	1	
11	0013108020	BOLT M8X20	1	
12	A400200500	WASHER	1	
13	A400110200	BUSHING	2	
14	A400200700	RUBBER INSERT	1	
15	A400092801	WASHER	2	
16	A400497500	SET COLLAR, 2-HOLE	1	
17	0024705008	SET SCREW M5X8	6	
18	E000081200	O-RING	1	
19	0013108030	BOLT M8X30	1	
20	0043108000	WASHER M8	1	
21	A400109600	RUBBER INSERT	1	
22	A400092402	SET COLLAR, 4-HOLE	1	
23	A400270200	PIPE	1	
24	A400321800	CAP, PIPE	1	
25	A400200201	RELEASE LEVER	1	
26	A400345900	SPRING, RELEASE LEVER	1	
27	2204510110	CABLE HANGER WASHER	1	

LAMPSTAND ASSY.

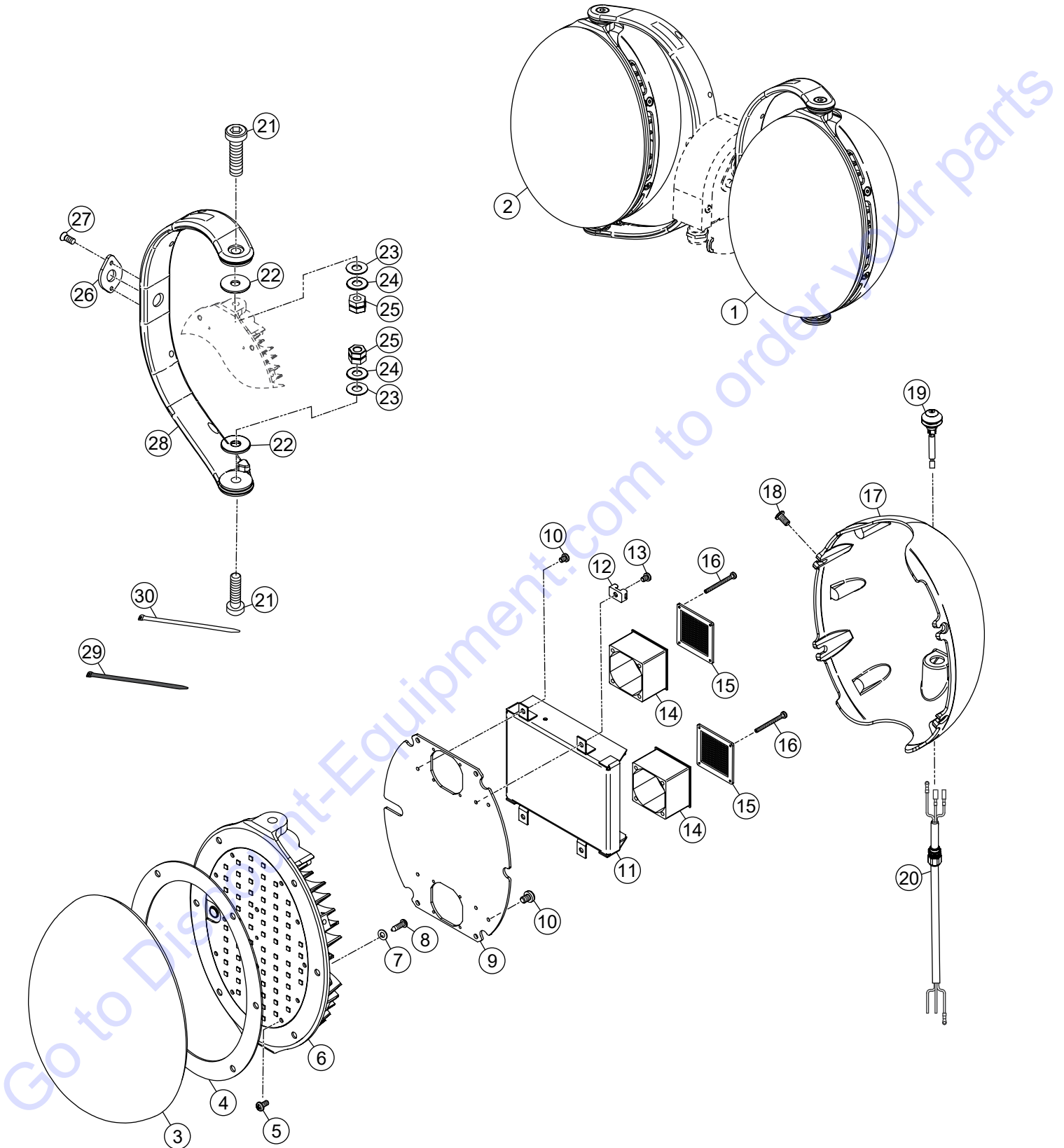


LAMPSTAND ASSY.

<u>NO.</u>	<u>PART NO.</u>	<u>PART NAME</u>	<u>QTY.</u>	<u>REMARKS</u>
1	A200147801	LAMPSTAND	1	
2	A300395902	COVER	1	
3	0019204008	HEX. UPPER SET BOLT ASSY. M4X8	2	
4	0023304005	SCREW AND WASHER ASSY. M4X5	3	
5	0035212000	U-NUT M12	2	
6	A400478600	WASHER, FLUORINE	6	
7	A400485201	PLATE, WASHER	2	
8	A400209802	KNOB	1	
9\$	E000130200	CABLE GLAND	1	
10	A300406300	POWER CABLE COMP. W/CABLE GLAND	1	INCLUDES ITEMS W/\$
11	E000130000	TIE-WRAP, BLACK	2	
12	E000174100	CONNECTOR 3-PIN	2	

Go to Discount-Equipment.com to order your parts

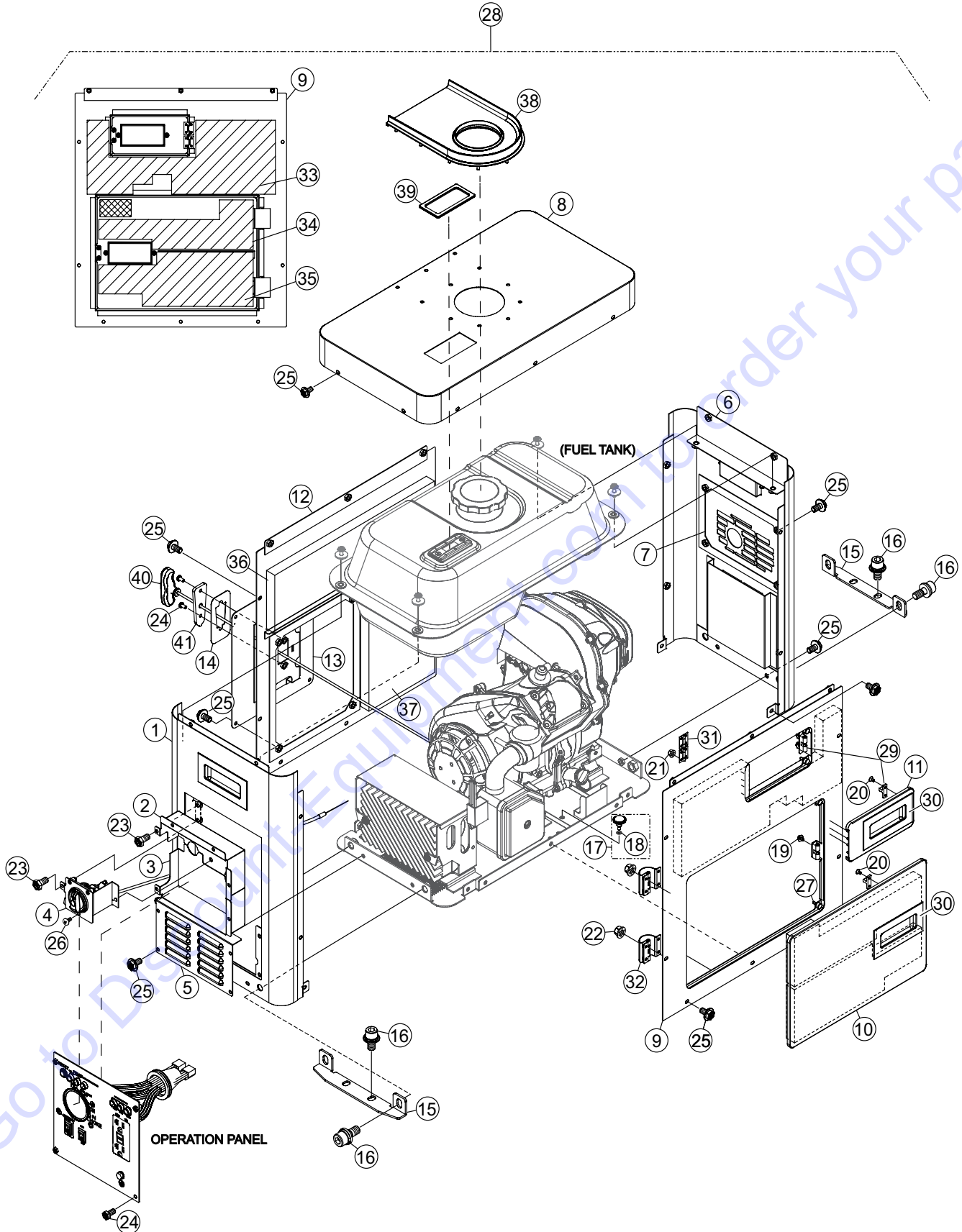
LED SPOT LIGHT ASSY.



LED SPOT LIGHT ASSY.

<u>NO.</u>	<u>PART NO.</u>	<u>PART NAME</u>	<u>QTY.</u>	<u>REMARKS</u>
1	A000085300	LED 200W SPOT LIGHT UNIT, LEFT ASSY.	1	
2	A000085400	LED 200W SPOT LIGHT UNIT, RIGHT ASSY.	1	
3	A200145000	FRONT COVER	2	
4	A300389801	GASKET	2	
5	0025304008	PAN HEAD SCREW ASSY. M4X8	16	
6	A000089000	HEATSINK	2	
7	0041210000	WASHER, FLAT M4.....	12.....	REPLACES P/N 0043104000
8	0021104016	TAPPING SCREW SUS M4X16	12	
9	A300375604	SUPPORT PLATE	2	
10	0023304005	PAN HEAD SCREW ASSY. M4X5	10	
11	A000085100	POWER SUPPLY UNIT, 200W LED SPOT	2	
12	E000134600	TIE-WRAP BRACKET	2	
13	0023104005	PAN HEAD SCREW M4X5	2	
14	A400479601	FAN MOTOR, 200W LED SPOT	4	
15	E000211200	FAN COVER, M40	4	
16	0025303035	PAN HEAD SCREW ASSY. M3X35	16	
17	A100146500	BACK COVER	2	
18	0018005010	SLIM HEAD BOLT SUS M5X10	8	
19	A400479303	WIRE, SWITCH COMPLETE	2	
20	A300406600	CABLE W/CLAMP, CPLT. 200W LED SPOT	2	
21	0017508030	SLIM HEAD BOLT SUS, BLACK M8X30	4	
22	A400464400	WASHER, M8 FLUORINE	4	
23	E000213100	WASHER, PLASTIC, DURACON	4	
24	E000213000	WASHER, FLAT M8 STAINLESS STEEL	4	
25	0034808000	HARDLOCK NUT	4	
26	A400475101	BAFFLE PLATE	2	
27	0027004008	COUNTERSUNK HEAD SCREW	4	
28	A200145200	ARM	2	
29	E000130000	TIE-WRAP, BLACK	6	
30	E000065100	TIE-WRAP, WHITE	8	

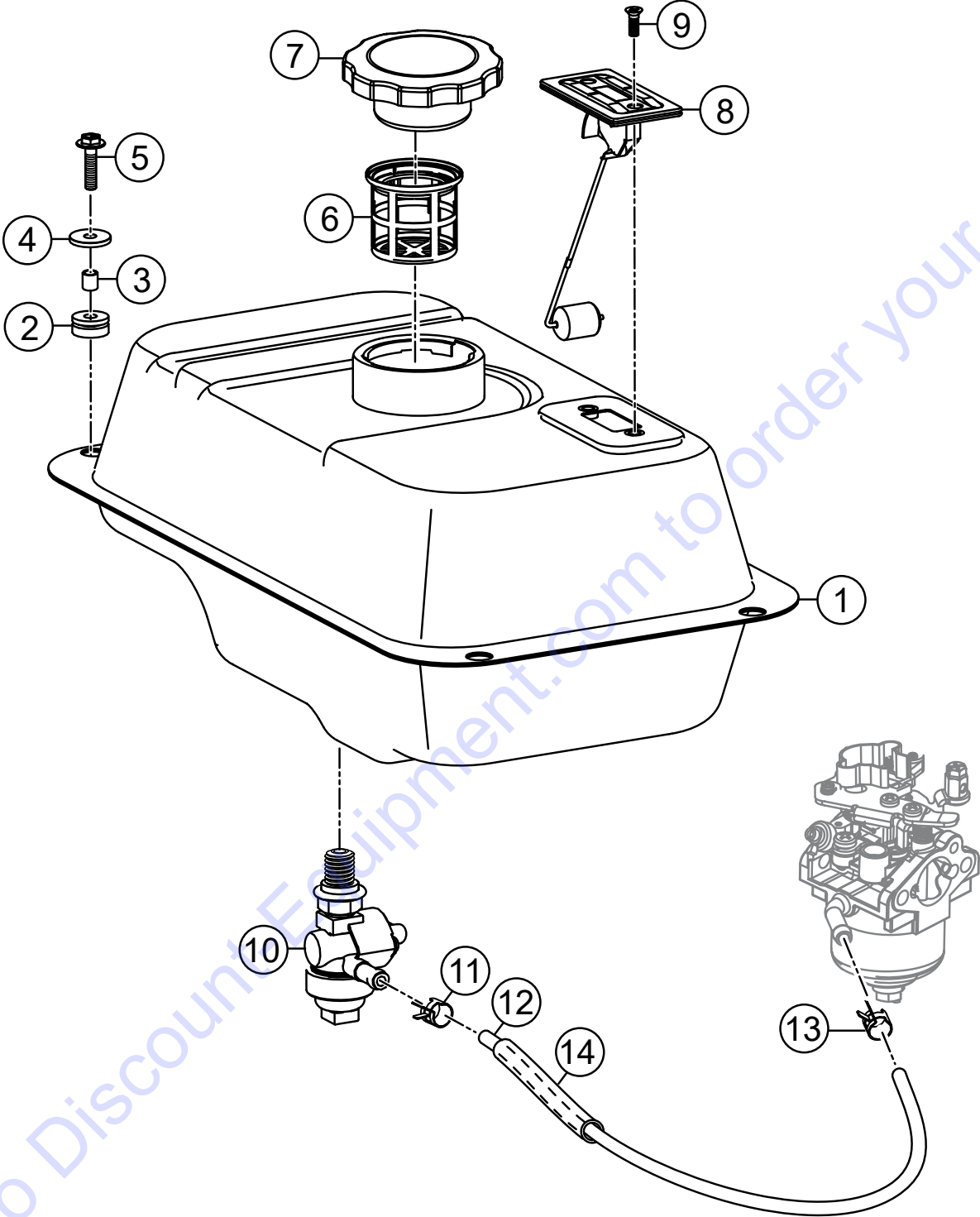
GENERATOR EXTERIOR ASSY.



GENERATOR EXTERIOR ASSY.

<u>NO.</u>	<u>PART NO.</u>	<u>PART NAME</u>	<u>QTY.</u>	<u>REMARKS</u>
1#	EEN0003600	FRONT PANEL SET	1	
2#	EEN0000900	DUST-PROOF COVER, UPPER	1	
3#	EEN0001000	DUST-PROOF COVER, LOWER	1	
4#	EEN0001100	FUEL COCK/CHOKE KNOB HOLDER	1	
5#	EEN0001200	LOUVER PANEL	1	
6#	EEN0003700	REAR COVER	1	
7#	EEN0001300	REAR EXHAUST PANEL	1	
8#	EEN0003800	COVER, UPPER	1	
9#	EEN0004000	SIDE PANEL, MAINTENANCE	1	
10#	EEN0004100	PANEL, OIL MAINTENANCE	1	
11#	EEN0004200	WINDOW, SPARK PLUG MAINTENANCE	1	
12#	EEN0003900	RECOIL, SIDE PANEL	1	
13#	EEN0001400	RECOIL, MOUNTING PANEL	2	
14#	EEN0001500	HOLDING PLATE	1	
15#	EEN0001700	FIXED ANGLE	2	
16#	EEN0018400	HEX. HD SOCK. CAP BOLT SEMS M10X20	8	
17#	EEN0002500	KNURLED KNOB W/O-RING	1	INCLUDES ITEMS W/\$
18\$#	EEN0000700	O-RING	1	
19#	EEN0018200	PAN HEAD SCREW SEMS M3X6	4	
20#	EEN0018100	FLAT HEAD SCREW M3X5	4	
21#	EEN0002200	FLANGE NUT M3	8	
22#	EEN0018700	FLANGE NUT M4	8	
23#	EEN0002300	PHILLIPS HEX UPSET BOLT, M5X8	7	
24#	EEN0002400	PHILLIPS HEX UPSET BOLT, M5X8, BLACK	6	
25#	EEN0018500	PHILLIPS HEX UPSET BOLT, M5X10	40	
26#	EEN0018300	TAPPING SCREW, M4X16	3	
27#	EEN0001800	RUBBER DAMPER	4	
28	EEN0000500	GENERATOR	1	INCLUDES ITEMS W/#
29#	EEN0002600	WINDOW, BALL CATCH	2	
30#	EEN0002700	HANDLE	4	
31#	EEN0002800	HINGE	2	
32#	EEN0002900	HINGE	2	
33#	EEN0003000	SOUND PROOF FOAM INSULATION	1	
34#	EEN0003100	SOUND PROOF FOAM INSULATION	1	
35#	EEN0003200	SOUND PROOF FOAM INSULATION	1	
36#	EEN0003300	SOUND PROOF FOAM INSULATION	1	
37#	EEN0003400	SOUND PROOF FOAM INSULATION	1	
38#	EEN0001600	RUBBER PACKING, FUEL TANK	1	
39#	EEN0001900	RUBBER PACKING, FUEL DISPLAY	1	
40#	EEN0002000	GRIP, RECOIL STARTER	1	
41#	EEN0007000	ROPE GUIDE, RECOIL	1	

FUEL TANK ASSY.

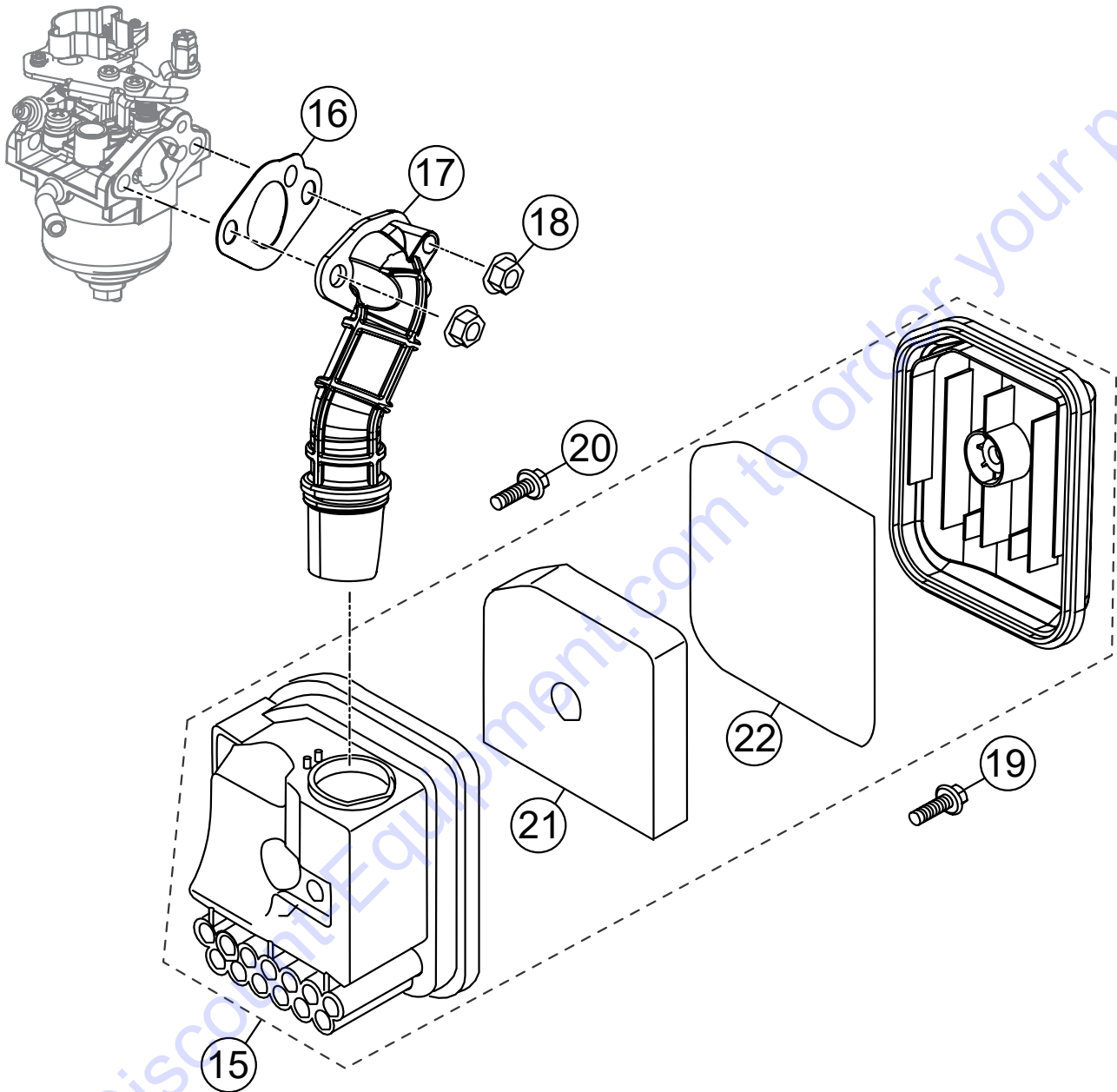


FUEL TANK ASSY.

<u>NO.</u>	<u>PART NO.</u>	<u>PART NAME</u>	<u>QTY.</u>	<u>REMARKS</u>
1	EEN0015600	FUEL TANK	1	
2	EEN0015700	RUBBER CUSHION, FUEL TANK	4	
3	EEN0015800	BUSHING	4	
4	EEN0015900	WASHER, FLAT	4	
5	EEN0018600	FLANGE BOLT M6X20	4	
6	EEN0015400	STRAINER, FUEL	1	
7	EEN0015500	CAP, FUEL TANK	1	
8	EEN0016000	FUEL GAUGE	1	
9	EEN0004400	SCREW M5X12	2	
10	EEN0016100	FUEL COCK	1	
11	EEN0005100	FUEL HOSE CLAMP	1	
12	EEN0016200	TUBE, FUEL	1	
13	EEN0005700	FUEL HOSE CLAMP	1	
14	EEN0016300	JACKET FUEL HOSE, RUBBER	1	

Go to Discount-Equipment.com to order your parts

AIR CLEANER ASSY.

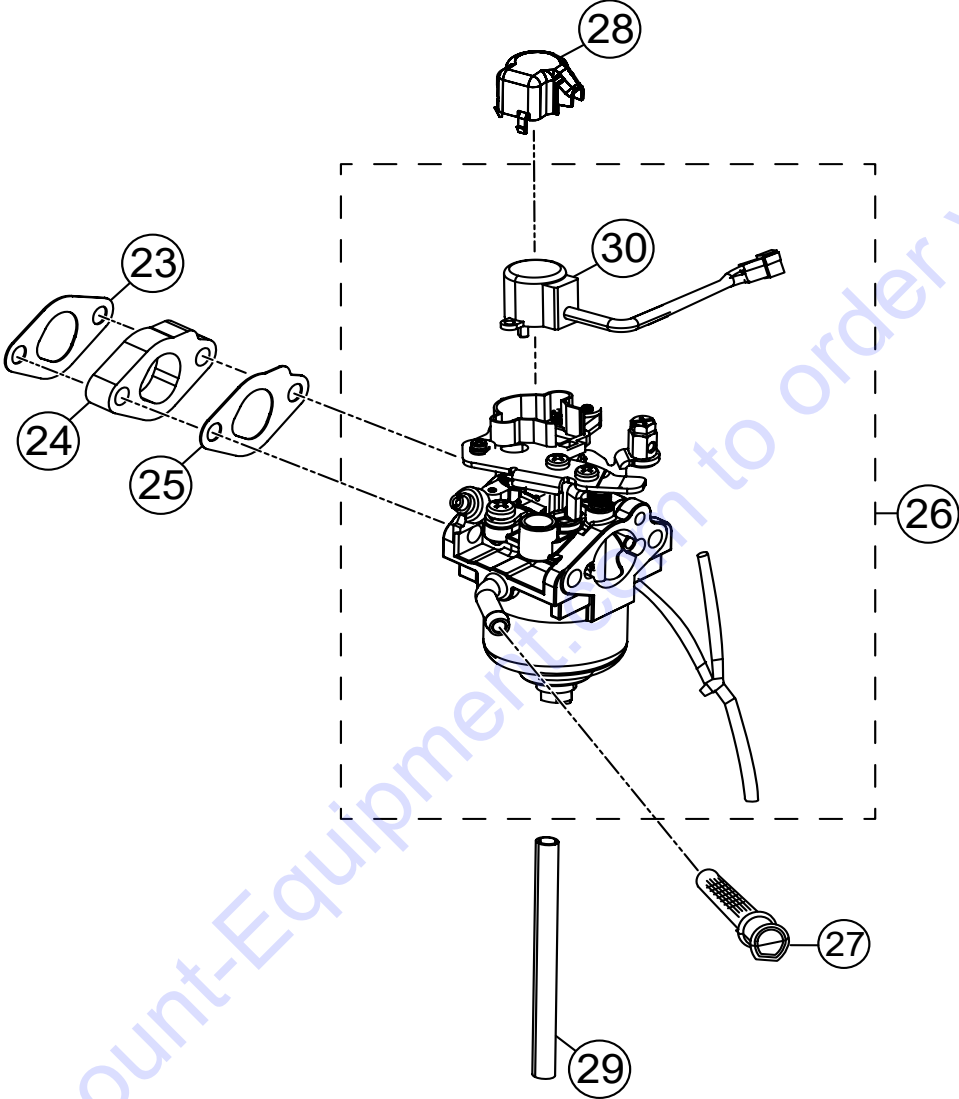


AIR CLEANER ASSY.

<u>NO.</u>	<u>PART NO.</u>	<u>PART NAME</u>	<u>QTY.</u>	<u>REMARKS</u>
15	EEN0012200	CLEANER, AIR.....	1.....	INCLUDES ITEMS W/\$
16	EEN0012300	GASKET, AIR CLEANER	1	
17	EEN0012400	DUCT, AIR CLEANER INTAKE	1	
18	EEN0007200	NUT M6	2	
19	EEN0005900	FLANGE BOLT M5X20	1	
20	EEN0009900	FLANGE BOLT M6X20	1	
21\$	EEN0004500	ELEMENT, AIR CLEANER	1	
22\$	EEN0013300	RUBBER, SEAL	1	

Go to Discount-Equipment.com to order your parts

CARBURETOR ASSY.



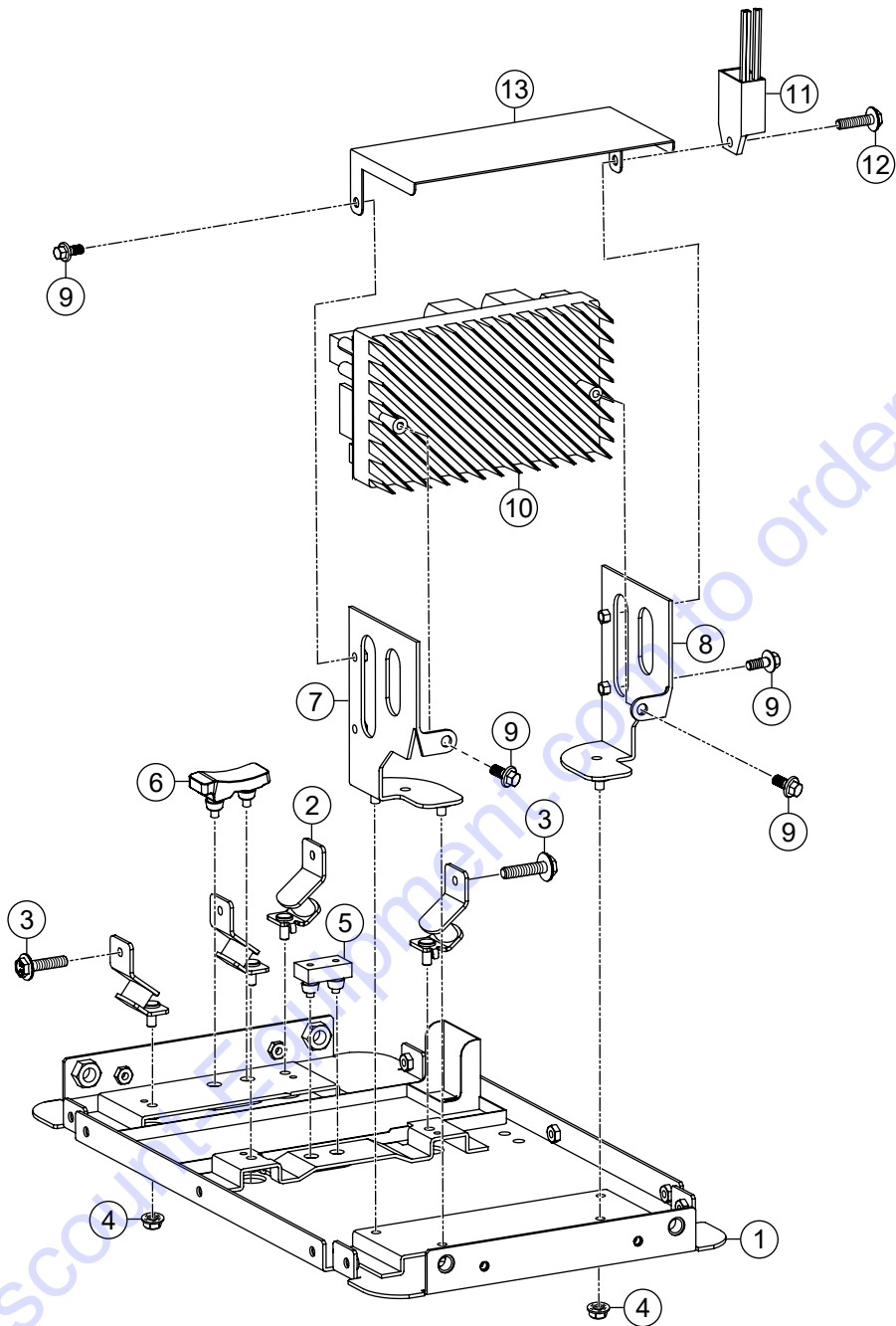
Go to Discount-Equipment.com to order your parts

CARBURETOR ASSY.

<u>NO.</u>	<u>PART NO.</u>	<u>PART NAME</u>	<u>QTY.</u>	<u>REMARKS</u>
23	EEN0011900	GASKET	1	
24	EEN0012000	PLATE, CARBURETOR INSULATOR	1	
25	EEN0012100	GASKET	1	
26	EEN0018000	CARBURETOR.....	1.....	INCLUDES ITEMS W/\$
27	EEN0005600	FUEL FILTER	1	
28	EEN0005500	CAP	1	
29	EEN0014400	TUBE, FUEL DRAIN	1	
30\$	EEN0015200	THROTTLE MOTOR	1	

Go to Discount-Equipment.com to order your parts

INVERTER ASSY.

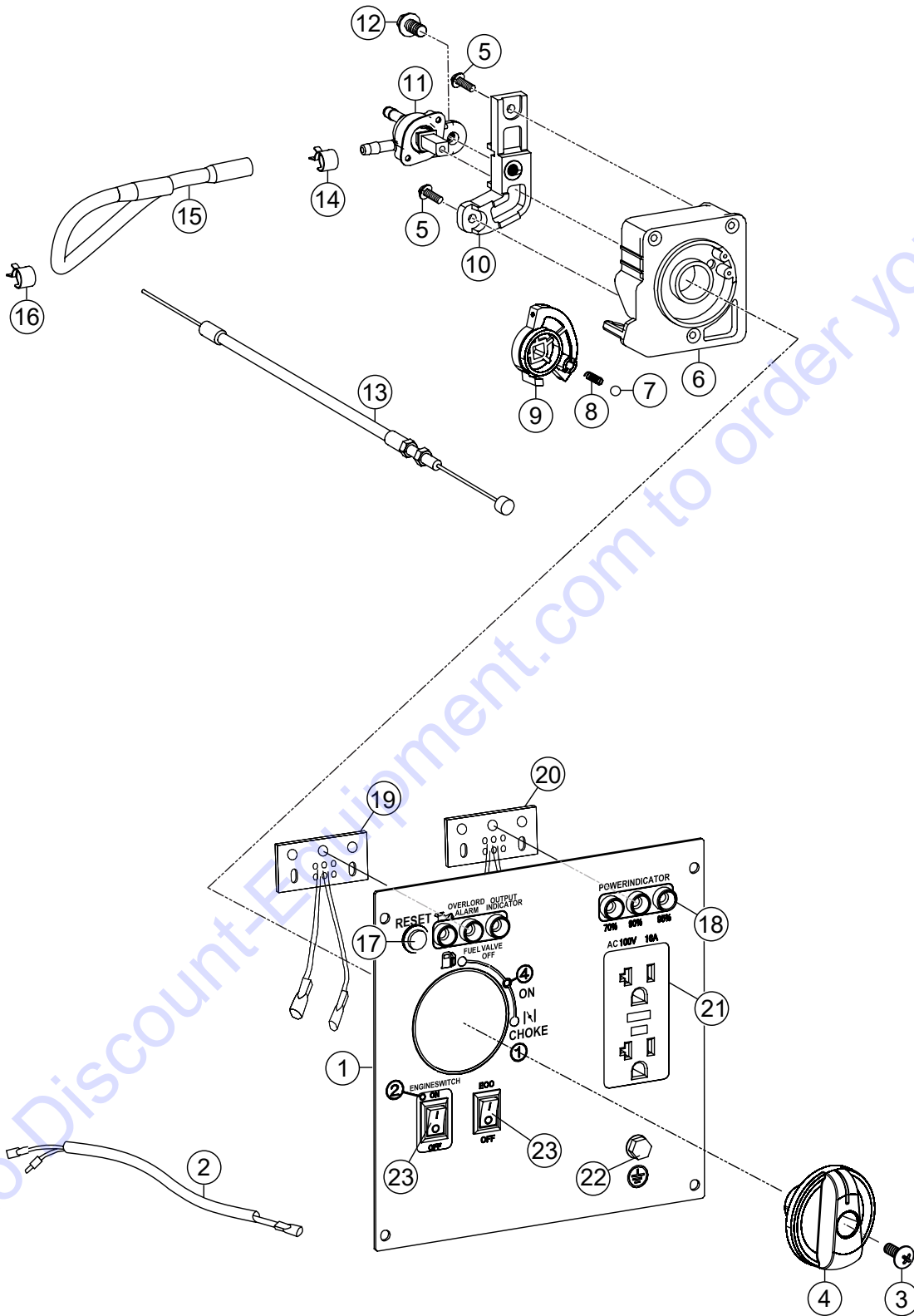


INVERTER ASSY.

<u>NO.</u>	<u>PART NO.</u>	<u>PART NAME</u>	<u>QTY.</u>	<u>REMARKS</u>
1	EEN0016400	PLATE, BOTTOM	1	
2	EEN0007300	ENGINE MOUNT, RUBBER ISOLATOR	4	
3	EEN0007100	FLANGE BOLT M6X14	4	
4	EEN0007200	NUT M6	8	
5	EEN0007400	BRACKET, CUSHION RUBBER	1	
6	EEN0007500	BRACKET, CUSHION RUBBER	1	
7	EEN0016500	BRACKET SUPPORT, INVERTER (L)	1	
8	EEN0016600	BRACKET SUPPORT, INVERTER (R)	1	
9	EEN0006100	FLANGE BOLT M6X12	4	
10	EEN0016700	INVERTER	1	
11	EEN0016800	POWER INDICATOR CONTROLLER	1	
12	EEN0006800	FLANGE BOLT M6X16	1	
13	EEN0016900	BAFFLE PLATE	1	

Go to Discount-Equipment.com to order your parts

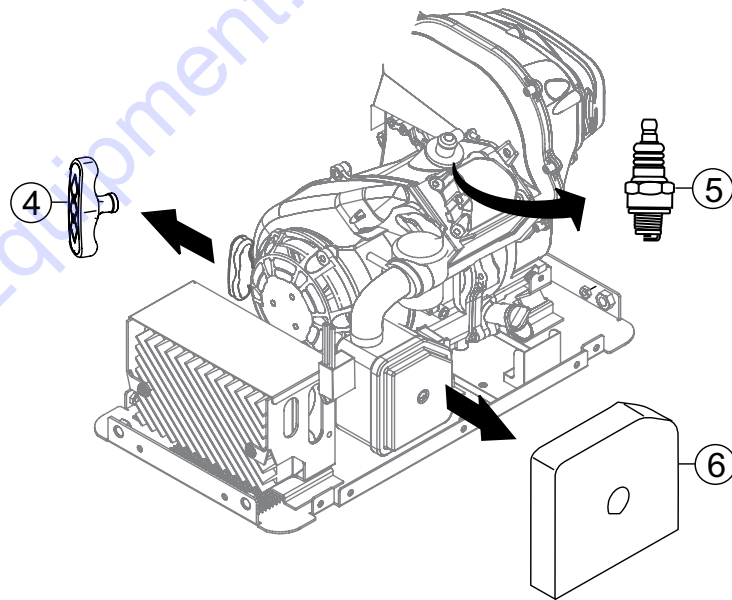
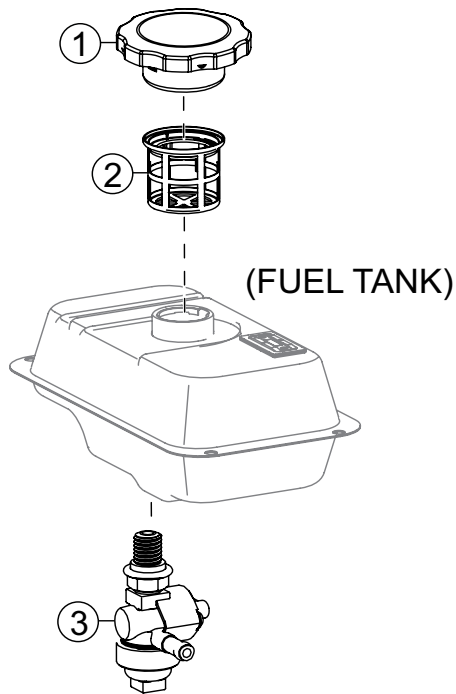
CONTROL PANEL ASSY.



CONTROL PANEL ASSY.

<u>NO.</u>	<u>PART NO.</u>	<u>PART NAME</u>	<u>QTY.</u>	<u>REMARKS</u>
1	EEN0017800	PANEL, CONTROL ASSY.	1	
2	EEN0017100	HARNESS, CONTROL PANEL WIRING	1	
3	EEN0006600	SCREW M4X12	1	
4	EEN0006700	KNOB	1	
5	EEN0018300	SCREW, CROSS GROOVE PAN M4X16	3	
6	EEN0013600	CONTROL BOX	1	
7	EEN0013800	BALL, STEEL	1	
8	EEN0013900	SPRING, STOPPER ADJUSTING	1	
9	EEN0013700	CHOKE POSITIONER GUIDE	1	
10	EEN0014000	BRACKET, FUEL COCK	1	
11	EEN0014100	FUEL COCK	1	
12	EEN0004900	FLANGE BOLT M6X12	1	
13	EEN0014200	CHOKE CABLE	1	
14	EEN0017200	FUEL HOSE CLAMP	1	
15	EEN0017300	TUBE, FUEL	1	
16	EEN0005700	FUEL HOSE CLAMP	1	
17	EEN0006200	RESET BUTTON	6	
18	EEN0014900	SLEEVE INDICATOR	6	
19	EEN0015000	WARNING INDICATOR	1	
20	EEN0015100	POWER INDICATOR	1	
21	EEN0017400	G.F.C.I., RECEPTACLE	1	
22	EEN0006500	GROUND TERMINAL	1	
23	EEN0007600	SWITCH, ENGINE/ECO	2	

ENGINE SERVICE PARTS



ENGINE SERVICE PARTS

<u>NO.</u>	<u>PART NO.</u>	<u>PART NAME</u>	<u>QTY.</u>	<u>REMARKS</u>
1	EEN0015500	CAP, FUEL TANK	1	
2	EEN0015400	STRAINER, FUEL	1	
3	EEN0016100	FUEL COCK	1	
4	EEN0002000	GRIP, RECOIL STARTER	1	
5	EEN0004600	PLUG, SPARK	1	
6	EEN0004500	ELEMENT, AIR CLEANER	1	

Go to Discount-Equipment.com to order your parts

PARTS FINDER

**Search Website
by Part Number**



**Search Manual
Library For Parts
Manual & Lookup Part
Numbers – Purchase
or Request Quote**

Search Manuals

Enter your information to help us find the right parts manual for your machine.

* Brand:

* Model:

* Serial:

* Part Number:

SEARCH

**Can't Find Part or
Manual? Request Help
by Manufacturer,
Model & Description**

Parts Order Form

Please fill in the following information to help us find the right part for your machine.

Manufacturer:	<input type="text"/>
Model:	<input type="text"/>
Description:	<input type="text"/>
Part Number:	<input type="text"/>
Quantity:	<input type="text"/>
Notes:	<input type="text"/>

Submit

Discount-Equipment.com is your online resource for quality parts & equipment.

Florida: **561-964-4949** Outside Florida TOLL FREE: **877-690-3101**

Need parts?

Click on this link: <http://www.discount-equipment.com/category/5443-parts/> and choose one of the options to help get the right parts and equipment you are looking for. Please have the machine model and serial number available in order to help us get you the correct parts. If you don't find the part on the website or on one of the online manuals, please fill out the request form and one of our experienced staff members will get back to you with a quote for the right part that your machine needs.

We sell worldwide for the brands: Genie, Terex, JLG, MultiQuip, Mikasa, Essick, Whiteman, Mayco, Toro Stone, Diamond Products, Generac Magnum, Airman, Haulotte, Barreto, Power Blanket, Nifty Lift, Atlas Copco, Chicago Pneumatic, Allmand, Miller Curber, Skyjack, Lull, Skytrak, Tsurumi, Husquvarna Target, Stow, Wacker, Sakai, Mi-T-M, Sullair, Basic, Dynapac, MBW, Weber, Bartell, Bennar Newman, Haulotte, Ditch Runner, Menegotti, Morrison, Contec, Buddy, Crown, Edco, Wyco, Bomag, Laymor, EZ Trench, Bil-Jax, F.S. Curtis, Gehl Pavers, Heli, Honda, ICS/PowerGrit, IHI, Partner, Imer, Clipper, MMD, Koshin, Rice, CH&E, General Equipment, Amida, Coleman, NAC, Gradall, Square Shooter, Kent, Stanley, Tamco, Toku, Hatz, Kohler, Robin, Wisconsin, Northrock, Oztec, Toker TK, Rol-Air, APT, Wylie, Ingersoll Rand / Doosan, Innovatech, Con X, Ammann, Mecalac, Makinex, Smith Surface Prep, Small Line, Wanco, Yanmar