

PARTS MANUAL



Mikasa SERIES

MODEL MVH208GH

REVERSIBLE PLATE COMPACTOR

**(S/N F2108 AND BELOW - HONDA GX240UT2SMXC
GASOLINE ENGINE)**

**(S/N F2115 AND ABOVE - HONDA GX270UT2SCM
GASOLINE ENGINE)**

Revision #4 (12/08/20)



THIS MANUAL MUST ACCOMPANY THE EQUIPMENT AT ALL TIMES.

PARTS FINDER

**Search Website
by Part Number**



**Search Manual
Library For Parts
Manual & Lookup Part
Numbers – Purchase
or Request Quote**

Search Manuals

Enter your information to search for a manual or to purchase a manual or parts.

* Brand:

* Model:

* Serial:

* Part Number:

SEARCH

**Can't Find Part or
Manual? Request Help
by Manufacturer,
Model & Description**

Parts Order Form

Please fill in the following information to request help finding a part or manual.

Manufacturer:

Model:

Description:

Quantity:

Part Number:

Part Name:

Part Description:

Part Category:

Part Location:

Part Status:

Part Condition:

Part Material:

Part Color:

Part Weight:

Part Dimensions:

Part Price:

Part Availability:

Part Lead Time:

Part Notes:

Submit

Discount-Equipment.com is your online resource for quality parts & equipment.

Florida: **561-964-4949** Outside Florida TOLL FREE: **877-690-3101**

Need parts?

Click on this link: <http://www.discount-equipment.com/category/5443-parts/> and choose one of the options to help get the right parts and equipment you are looking for. Please have the machine model and serial number available in order to help us get you the correct parts. If you don't find the part on the website or on one of the online manuals, please fill out the request form and one of our experienced staff members will get back to you with a quote for the right part that your machine needs.

We sell worldwide for the brands: Genie, Terex, JLG, MultiQuip, Mikasa, Essick, Whiteman, Mayco, Toro Stone, Diamond Products, Generac Magnum, Airman, Haulotte, Barreto, Power Blanket, Nifty Lift, Atlas Copco, Chicago Pneumatic, Allmand, Miller Curber, Skyjack, Lull, Skytrak, Tsurumi, Husquvarna Target, Stow, Wacker, Sakai, Mi-T-M, Sullair, Basic, Dynapac, MBW, Weber, Bartell, Bennar Newman, Haulotte, Ditch Runner, Menegotti, Morrison, Contec, Buddy, Crown, Edco, Wyco, Bomag, Laymor, EZ Trench, Bil-Jax, F.S. Curtis, Gehl Pavers, Heli, Honda, ICS/PowerGrit, IHI, Partner, Imer, Clipper, MMD, Koshin, Rice, CH&E, General Equipment, Amida, Coleman, NAC, Gradall, Square Shooter, Kent, Stanley, Tamco, Toku, Hatz, Kohler, Robin, Wisconsin, Northrock, Oztec, Toker TK, Rol-Air, APT, Wylie, Ingersoll Rand / Doosan, Innovatech, Con X, Ammann, Mecalac, Makinex, Smith Surface Prep, Small Line, Wanco, Yanmar

TABLE OF CONTENTS

MVH208GH Reversible Plate Compactor

Explanation Of Code In Remarks Column.....	4
Suggested Spare Parts	5

Compactor Component Drawings

Vibrating Plate Assembly.....	6–7
Vibrator Assembly	8–9
Base And Engine Assembly	10–13
Electrical Device Assembly	14–15
Control Assembly	16–19
Hydraulic Hand Pump Assembly	20–21
Nameplate And Decals Assembly	22–23

Honda GX240UT2SMXC/ GX270UT2SCM Engine Component Drawings

Cylinder Head Assembly	24–25
Cylinder Barrel Assembly	26–27
Crankcase Cover Assembly	28–29
Crankshaft Assembly.....	30–31
Piston Assembly	32–33
Camshaft Assembly.....	34–35
Recoil Starter Assembly	36–37
Fan Cover Assembly.....	38–39
Carburetor Assembly	40–41
Air Cleaner Assembly (GX240UT2SMXC).....	42–43
Air Cleaner Assembly (GX270UT2SCM).....	44–45
Muffler Assembly	46–47
Fuel Tank Assembly.....	48–49
Flywheel Assembly	50–51
Ignition Coil Assembly	52–53
Control Assembly	54–55
Labels Assembly (GX240UT2SMXC).....	56–57
Labels Assembly (GX270UT2SCM).....	58–59

NOTICE

Specifications and part numbers are subject to change without notice.

EXPLANATION OF CODE IN REMARKS COLUMN

The following section explains the different symbols and remarks used in the Parts section of this manual. Use the help numbers found on the back page of the manual if there are any questions.

NOTICE

The contents and part numbers listed in the parts section are subject to change **without notice**. Multiquip does not guarantee the availability of the parts listed.

SAMPLE PARTS LIST

NO.	PART NO.	PART NAME	QTY.	REMARKS
1	12345	BOLT	1	INCLUDES ITEMS W/%
2%		WASHER, 1/4 IN.		NOT SOLD SEPARATELY
2%	12347	WASHER, 3/8 IN. ...	1	MQ-45T ONLY
3	12348	HOSE	A/R	MAKE LOCALLY
4	12349	BEARING	1	S/N 2345B AND ABOVE

NO. Column

Unique Symbols — All items with same unique symbol (@, #, +, %, or >) in the number column belong to the same assembly or kit, which is indicated by a note in the “Remarks” column.

Duplicate Item Numbers — Duplicate numbers indicate multiple part numbers, which are in effect for the same general item, such as different size saw blade guards in use or a part that has been updated on newer versions of the same machine.

NOTICE

When ordering a part that has more than one item number listed, check the remarks column for help in determining the proper part to order.

PART NO. Column

Numbers Used — Part numbers can be indicated by a number, a blank entry, or TBD.

TBD (To Be Determined) is generally used to show a part that has not been assigned a formal part number at the time of publication.

A blank entry generally indicates that the item is not sold separately or is not sold by Multiquip. Other entries will be clarified in the “Remarks” Column.

QTY. Column

Numbers Used — Item quantity can be indicated by a number, a blank entry, or A/R.

A/R (As Required) is generally used for hoses or other parts that are sold in bulk and cut to length.

A blank entry generally indicates that the item is not sold separately. Other entries will be clarified in the “Remarks” Column.

REMARKS Column

Some of the most common notes found in the “Remarks” Column are listed below. Other additional notes needed to describe the item can also be shown.

Assembly/Kit — All items on the parts list with the same unique symbol will be included when this item is purchased.

Indicated by:

“INCLUDES ITEMS W/(unique symbol)”

Serial Number Break — Used to list an effective serial number range where a particular part is used.

Indicated by:

“S/N XXXXX AND BELOW”

“S/N XXXX AND ABOVE”

“S/N XXXX TO S/N XXX”

Specific Model Number Use — Indicates that the part is used only with the specific model number or model number variant listed. It can also be used to show a part is NOT used on a specific model or model number variant.

Indicated by:

“XXXXX ONLY”

“NOT USED ON XXXX”

“Make/Obtain Locally” — Indicates that the part can be purchased at any hardware shop or made out of available items. Examples include battery cables, shims, and certain washers and nuts.

“Not Sold Separately” — Indicates that an item cannot be purchased as a separate item and is either part of an assembly/kit that can be purchased, or is not available for sale through Multiquip.

SUGGESTED SPARE PARTS

MVH208GH PLATE COMPACTOR WITH HONDA GX240UT2SMXC/GX270UT2SCM GASOLINE ENGINE

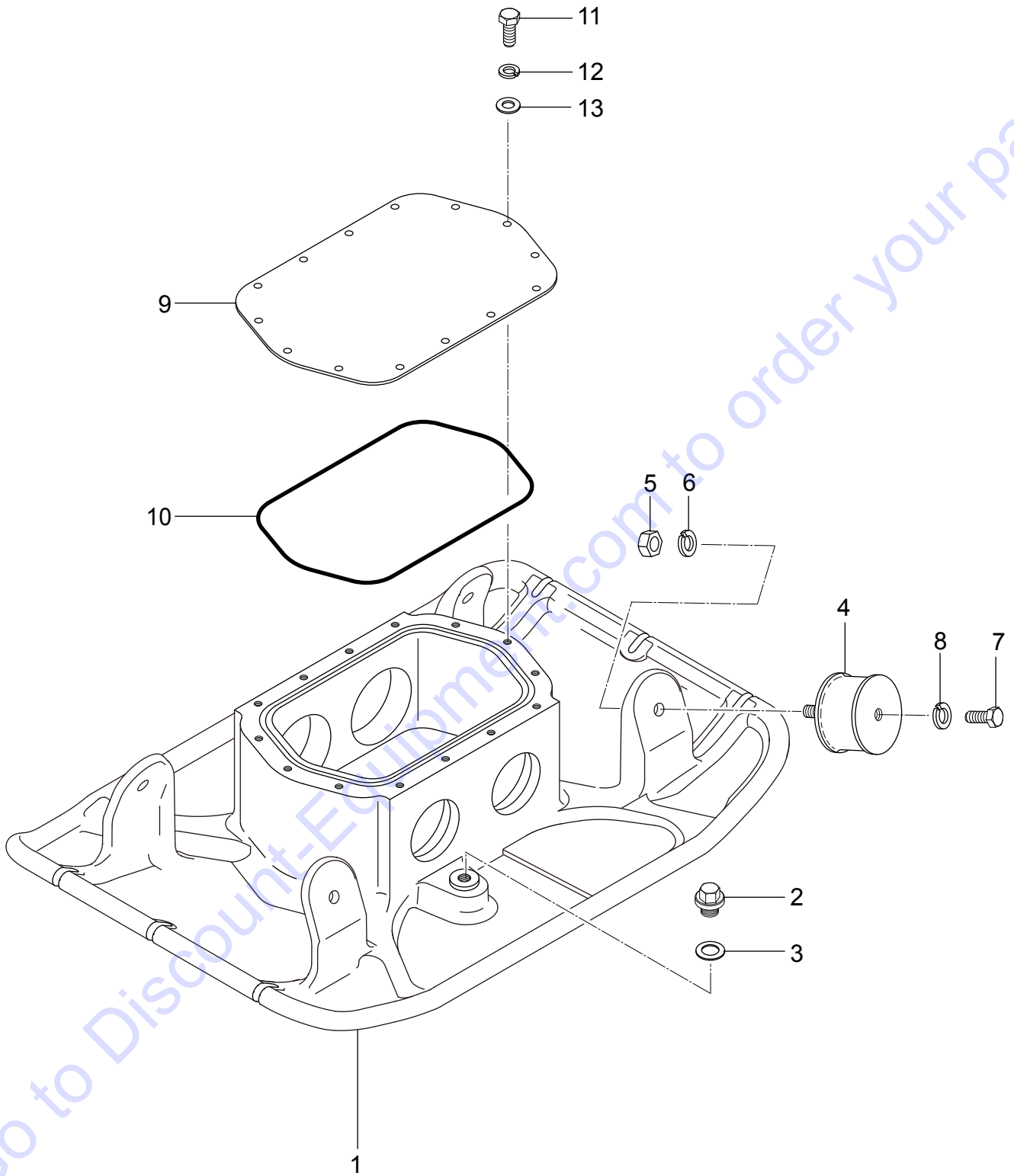
1 to 5 units

Qty.	P/N	Description
3070200383.....	V-BELT
59807956855.....	SPARK PLUG (GX240UT2SMXC)
59807956846.....	SPARK PLUG (GX270UT2SCM)
128462ZE2W11.....	ROPE, RECOIL STARTER
517210ZE3505.....	ELEMENT, AIR CLEANER (GX240UT2SMXC)
517210Z1C781.....	ELEMENT, AIR CLEANER (GX270UT2SCM)
117620Z4H900.....	CAP, FUEL TANK
117672Z4H000.....	FUEL FILTER, FUEL TANK
4939010480.....	SHOCK ABSORBER

NOTICE

Part numbers on this Suggested Spare Parts list may supersede/replace the part numbers shown in the following parts lists.

VIBRATING PLATE ASSY.

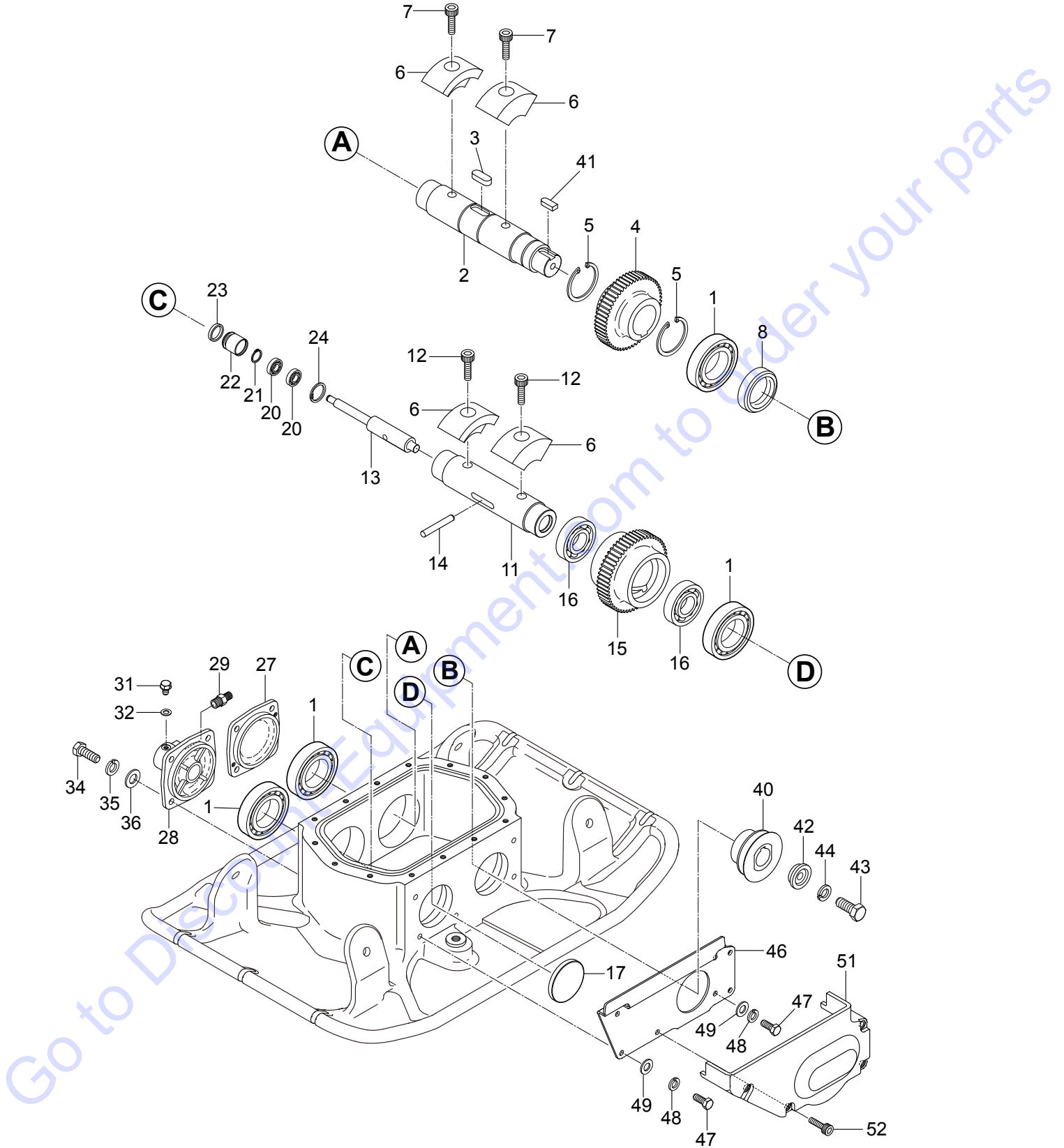


VIBRATING PLATE ASSY.

<u>NO.</u>	<u>PART NO.</u>	<u>PART NAME</u>	<u>QTY.</u>	<u>REMARKS</u>
1	470121760	VIBRATING PLATE, 500MM	1	
2	953405270	PLUG 1/4X14 13L	1	
3	953405260	PACKING 1/4 (CU)	1	
4	939010480	SHOCK ABSORBER	4	
5	0039312000	NUT M12.....	4	REPLACES P/N 020312100
6	030212300	WASHER, LOCK M12	4	
7	012012030	BOLT 12X30.....	4	REPLACES P/N 001221230
8	030212300	WASHER, LOCK M12	4	
9	470353610	COVER, VIBRATOR	1	
10	050710150	O-RING	1	
11	014208020	BOLT 8X20.....	14	REPLACES P/N 001220820
12	030208200	WASHER, LOCK M8	14	
13	0401450080	WASHER, FLAT M8.....	14	REPLACES P/N 031108160

Go to Discount-Equipment.com to order your parts

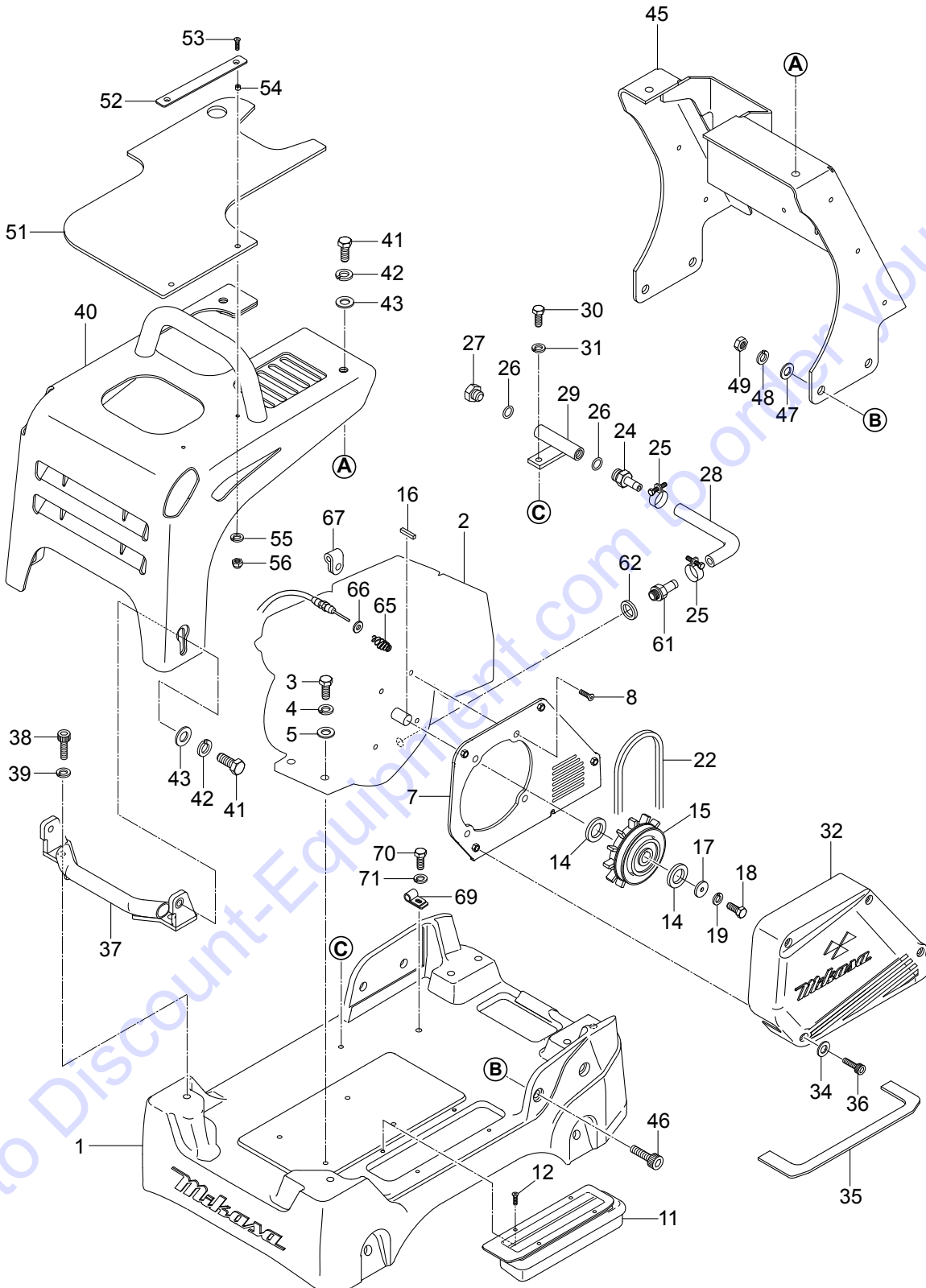
VIBRATOR ASSY.



VIBRATOR ASSY.

<u>NO.</u>	<u>PART NO.</u>	<u>PART NAME</u>	<u>QTY.</u>	<u>REMARKS</u>
1	047920130	ROLLER BEARING	4	
2	470353710	ROTARY SHAFT, DRIVE	1	
3	951405370	KEY 15X10X39 RR	1	
4	466347900	GEAR, DRIVE	1	
5	080200500	STOP RING	2	
6	470353760	ECCENTRIC ROTATOR	4	
7	009120309	SOCKET HEAD BOLT 12X40	2	
8	060104020	OIL SEAL	1	
11	466347790	ROTARY SHAFT, DRIVEN	1	
12	009120308	SOCKET HEAD BOLT 12X25	2	
13	466347860	PISTON ROD	1	
14	025510063	KNOCK PIN 10X63	1	
15	470353720	GEAR, DRIVEN	1	
16	040006910	BEARING	2	
17	953010040	SEAL CAP	1	
20	042506000	BEARING	2	
21	0080000010	STOP RING	1	REPLACES P/N 080200100
22	455435051	PISTON	1	
23	455010070	PACKING	1	
24	080100260	STOP RING	1	
27	470353730	BEARING COVER	1	
28	470353740	CYLINDER (R)	1	
29	954010020	CONNECTOR PT, PF1/4	1	
31	011008015	BOLT 8X12.....	1	REPLACES P/N 001220812
32	953404600	COPPER PACKING 8.2X16X1.6	1	
34	001220825	BOLT 8X25.....	8	REPLACES P/N 011208025
35	030208200	WASHER, LOCK M8	8	
36	0401450080	WASHER, FLAT M8	8	REPLACES P/N 031108160
40	470353770	PULLEY	1	
41	951403610	KEY 10X8X30	1	
42	470468730	WASHER	1	
43	012012030	BOLT 12X30.....	1	REPLACES P/N 001221230
44	030212300	WASHER, LOCK M12	1	
46	470353750	GUIDE, BELT COVER	1	
47	014208020	BOLT 8X20.....	3	REPLACES P/N 001220820
48	030208200	WASHER, LOCK M8	3	
49	031108160	WASHER, FLAT M8	3	
51	470219540	BELT COVER, LOWER	1	
52	001520854	SOCKET HEAD BOLT 8X70	4	

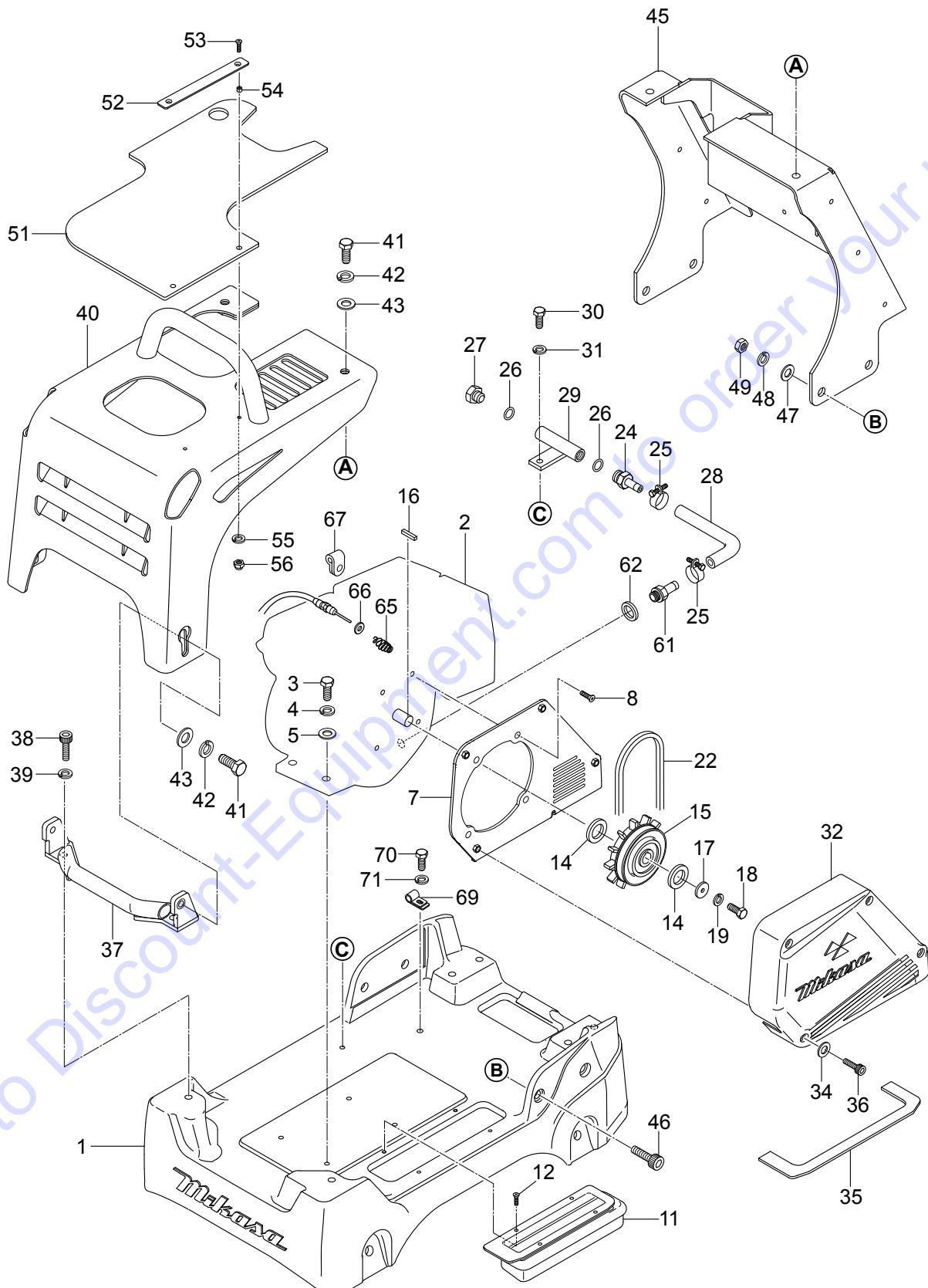
BASE AND ENGINE ASSY.



BASE AND ENGINE ASSY.

<u>NO.</u>	<u>PART NO.</u>	<u>PART NAME</u>	<u>QTY.</u>	<u>REMARKS</u>
1	470121850	BASE	1	
2	912224006	ENGINE ASSY., GX240UT2SMXC.....	1	S/N F2108 AND BELOW
2	912227009	ENGINE ASSY., GX270UT2SCM.....	1	S/N F2115 AND ABOVE
3	0105051045	BOLT 10X45	4	REPLACES P/N 001221045
4	030210250	WASHER, LOCK M10	4	
5	031110160	WASHER, FLAT M10	4	
7	470353680	BELT COVER, IN	1	
8	009110071	SOCKET HEAD BOLT 10X25	4	
11	470219530	DUST COVER	1	
12	092006010	FLAT HEAD SCREW 6X10	4	
14	952409450	SPACER 25X40X5	2	
15	456343340	CLUTCH ASSY.	1	
16	951400110	KEY 7X7X35	1	
17	952400690	WASHER 9X35X4.5	1	
18	011208030	BOLT 8X30.....	1	REPLACES P/N 001220830
19	030208200	WASHER, LOCK M8	1	
22	070200383	V-BELT B-38 GREEN	1	
24	954407310	UNION, DRAIN	1	
25	0091720000	HOSE, CLAMP	2	
26	0211140020	GASKET	2	
27	0401140030	PLUG	1	
28	465459390	DRAIN HOSE	1	
29	464457380	DRAIN JOINT	1	
30	014208020	BOLT 8X20.....	1	REPLACES P/N 001220820
31	030208200	WASHER, LOCK M8	1	
32	470121780	BELT COVER (OUT)	1	
34	033910220	WASHER 8.4X15.5X1.6	4	
35	470353640	DUST SPONGE (OUT)	1	
36	001520854	SOCKET HEAD BOLT 8X70	4	
37	470353650	FRONT BUMPER	1	
38	014212035	SOCKET HEAD BOLT 12X35.....	2	REPLACES P/N 001521235
39	030212300	WASHER, LOCK M12	2	
40	470121830	FRONT COVER	1	
41	012212035	BOLT 12X35	4	REPLACES P/N 001221235
42	030212300	WASHER, LOCK M12	4	
43	031112230	WASHER, FLAT M12	4	
45	470121840	CENTER COVER	1	
46	014212035	SOCKET HEAD BOLT 12X35.....	4	REPLACES P/N 001521235
47	031112230	WASHER, LOCK M12	4	
48	030212300	WASHER, FLAT M12	4	
49	0039312000	NUT M12	4	REPLACES P/N 020312100

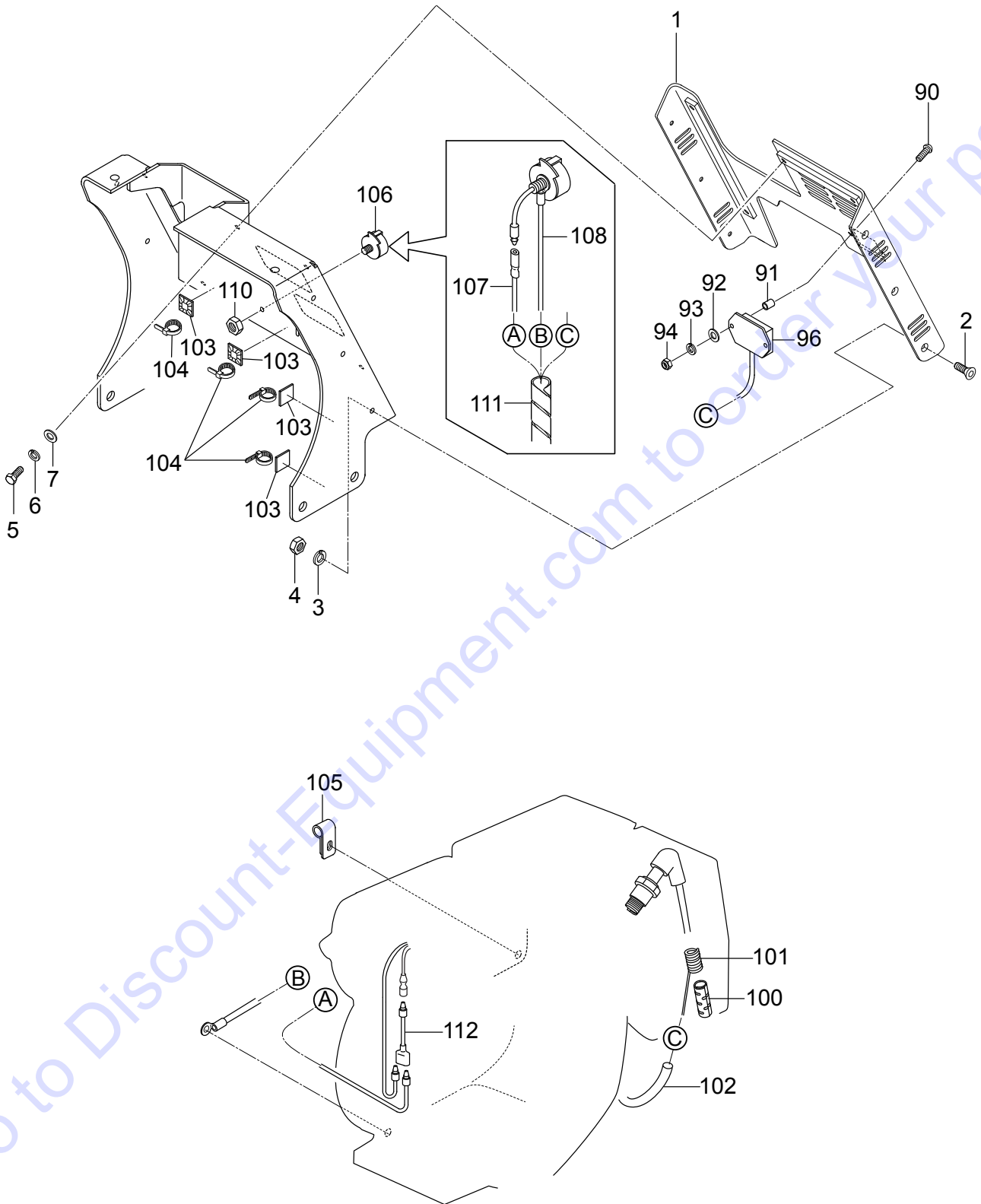
BASE AND ENGINE ASSY. (CONTINUED)



BASE AND ENGINE ASSY. (CONTINUED)

<u>NO.</u>	<u>PART NO.</u>	<u>PART NAME</u>	<u>QTY.</u>	<u>REMARKS</u>
51	470468810	RUBBER COVER, UPPER	1	
52	467466810	STOPPER, COVER	1	
53	009120424	SOCKET HEAD BOLT 6X25	2	
54	617465130	COLLAR 6.2X7.8X4.5	2	
55	030206150	WASHER, LOCK M6	2	
56	022710607	NYLON NUT M6	2	
61	90131ZE3790	DRAIN JOINT	1	
62	031112230	WASHER, DRAIN PLUG M12	1	REPLACES P/N 9410912000
65	402010110	COIL SPRING	1	REPLACES P/N 0830000010
66	58151	WASHER, FLAT M5	1	REPLACES P/N 031105080
67	2067550101	CLAMP COMPLETE	1	
69	959407260	CLIP D6	1	
70	012210015	BOLT 10X15	1	REPLACES P/N 001221015
71	030210250	WASHER, LOCK M10	1	

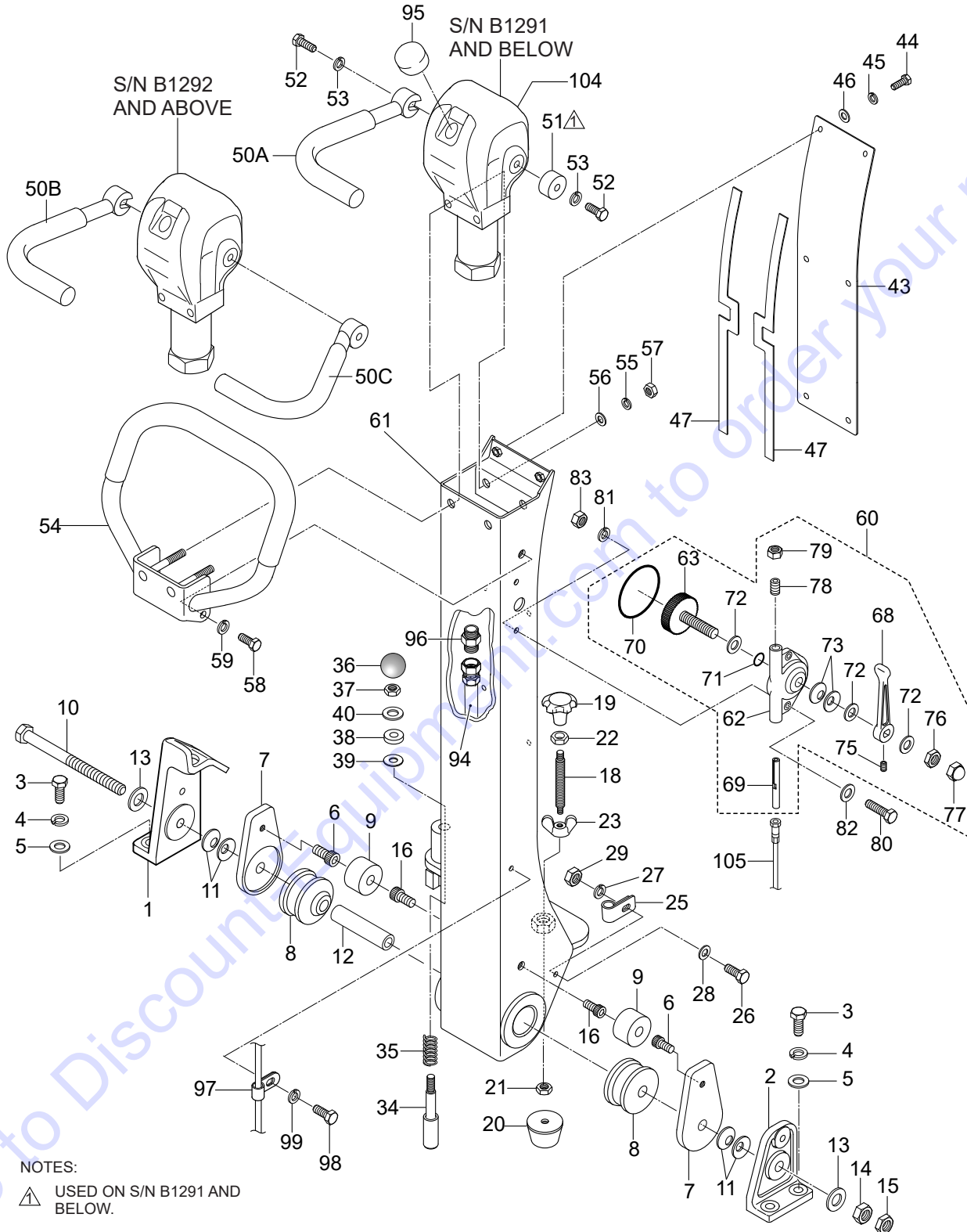
ELECTRICAL DEVICE ASSY.



ELECTRICAL DEVICE ASSY.

<u>NO.</u>	<u>PART NO.</u>	<u>PART NAME</u>	<u>QTY.</u>	<u>REMARKS</u>
1	470219570	REAR COVER	1	
2	009120414	SUNK HEAD BOLT 6X20	6	
3	030206150	WASHER, LOCK M6	6	
4	020106050	NUT M6.....	6.....	REPLACES P/N 020306050
5	001220612	BOLT 6X12	5	
6	030206150	WASHER, LOCK M6	5	
7	952404470	WASHER, FLAT M6.....	5.....	REPLACES P/N 031106100
90	009110072	PAN HEAD SCREW 5X35	2	
91	952407930	COLLAR 6X10X13.5	2	
92	58151	WASHER, FLAT M5.....	2.....	REPLACES P/N 031105080
93	030205130	WASHER, FLAT M5	2	
94	022710506	NYLON NUT M5	2	
96	955010311	TACH/HOUR METER	1	
100	955010307	CLIP BELT	1	
101	955010308	CURL CORD	1	
102	959026828	RUBBER TUBE	1	
103	955407970	WIRING FIXED BASE	4	
104	506010070	CLAMP	4	
105	2067550101	CLAMP COMPLETE	1	
106	955301010	STOP SWITCH, ENGINE	1	
107	468467570	READ CORD	1	
108	467466980	LEAD WIRE (SW-GROUND)	1	
110	020108060	NUT M8.....	1.....	REPLACES P/N 020308060
111	959021827	SPIRAL TUBE 6D-950L	1	
112	515450380	WIRE HARNESS	1	

CONTROL ASSY.

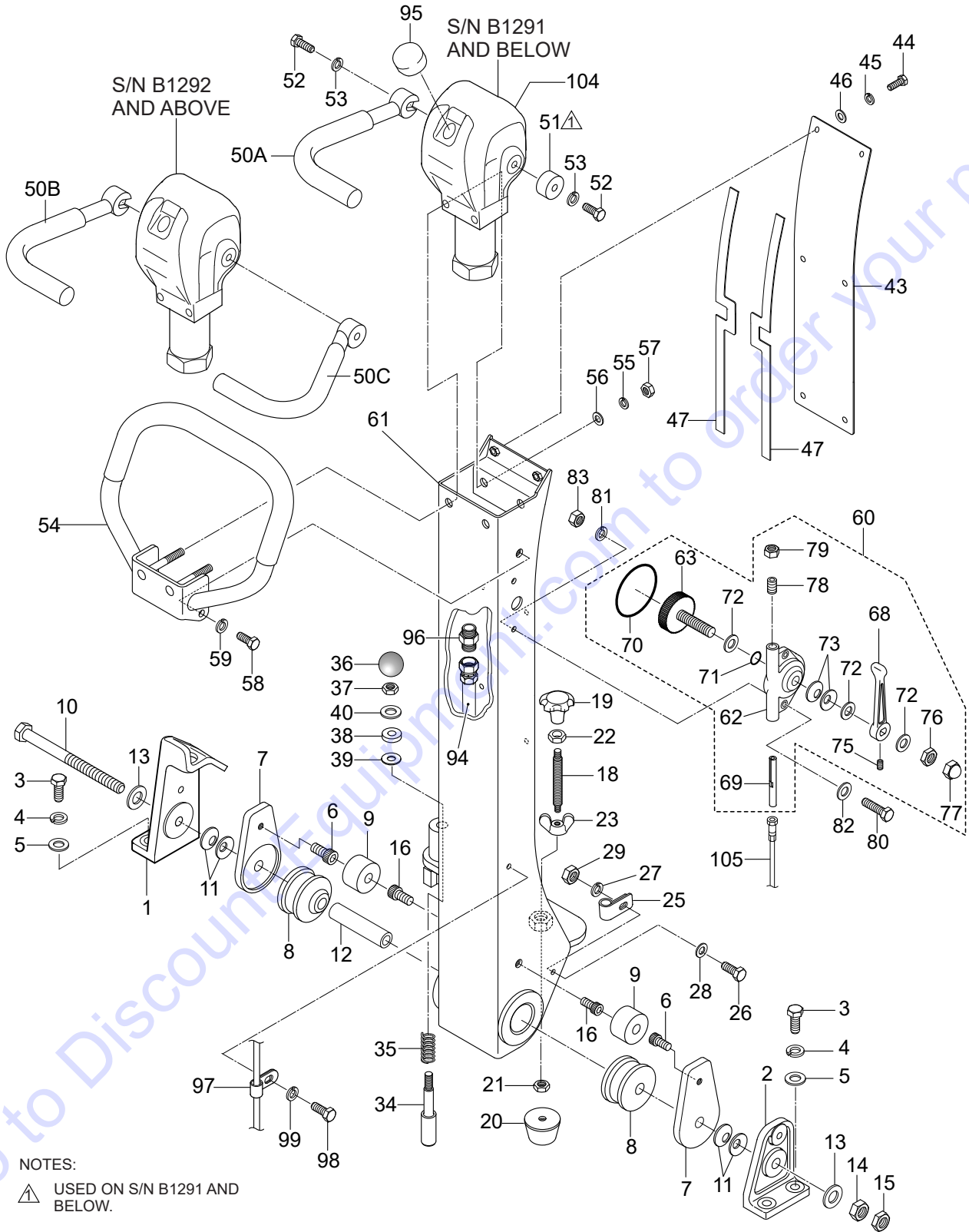


NOTES:
 ▲ USED ON S/N B1291 AND BELOW.

CONTROL ASSY.

<u>NO.</u>	<u>PART NO.</u>	<u>PART NAME</u>	<u>QTY.</u>	<u>REMARKS</u>
1	467351951	HANDLE BRACKET (R)	1	
2	456336420	HANDLE BRACKET (R)	1	
3	012212035	BOLT 12X35.....	4	REPLACES P/N 001221235
4	030212300	WASHER, LOCK M12	4	
5	031112230	WASHER, FLAT M12	4	
6	001521010	SOCKET HEAD BOLT 10X10	2	
7	470468800	GUIDE, HANDLE	2	
8	456449940	SHOCK ABSORBER	2	
9	470468900	CUSHION RUBBER 16X50X30	2	
10	001221681	BOLT 16X250	1	
11	032216350	CONICAL WASHER, LOCK M16	4	
12	470469100	RUBBER TUBE 15.9X25X120L	1	
13	0401450160	WASHER, FLAT M16.....	2	REPLACES P/N 031116260
14	020316130	NUT M16	1	
15	020416100	NUT M16	1	
16	470468920	BOLT, CUSHION RUBBER	2	
18	455434950	SPINDLE	1	
19	455010030	KNOB	1	
20	939009470	STOPPER RUBBER	1	
21	020310080	NUT M10.....	1	REPLACES P/N 020410060
22	020412070	NUT M12	1	
23	022411635	WING NUT M16	1	
25	959408930	CLIP 15 (M6)	1	
26	011206020	BOLT 6X20.....	1	REPLACES P/N 001220620
27	030206150	WASHER, LOCK M6	1	
28	952404470	WASHER, FLAT M6.....	1	REPLACES P/N 031106100
29	020106050	NUT M6.....	1	REPLACES P/N 020306050
34	501402870	HANDLE STOPPER	1	
35	501402880	SPRING/HANDLE	1	
36	959403460	BALL GRIP	1	
37	020310080	NUT M10.....	1	REPLACES P/N 020410060
38	456449980	RUBBER PACKING	1	
39	953405260	PACKING 1/4	1	
40	031110160	WASHER, FLAT M10	1	
43	466217890	HANDLE COVER	1	
44	011206020	BOLT 6X20.....	6	REPLACES P/N 001220620
45	030206150	WASHER, LOCK M6	6	
46	952404470	WASHER, FLAT M6.....	6	REPLACES P/N 031106100
47	466462010	PACKING, HANDLE COVER	2	
50A	464216630	TRAVEL LEVER, RIGHT	1	S/N B1291 AND BELOW
50B	464216820	TRAVEL LEVER, RIGHT	1	S/N B1292 AND ABOVE
50C	464216830	TRAVEL LEVER, LEFT.....	1	S/N B1292 AND ABOVE
51	464457400	HANDLE BOSS	1	S/N B1291 AND BELOW

CONTROL ASSY. (CONTINUED)

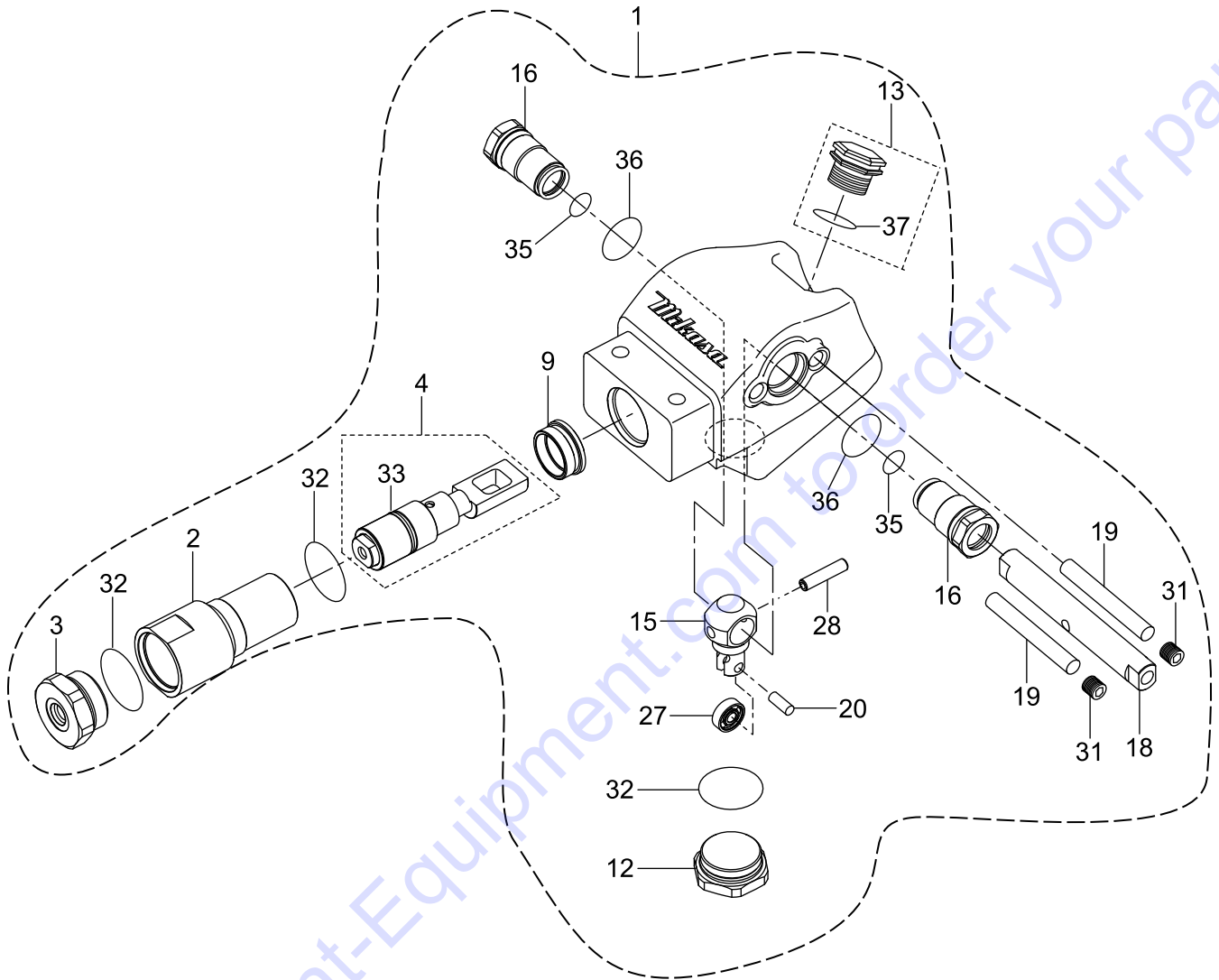


NOTES:
 ▲ USED ON S/N B1291 AND BELOW.

CONTROL ASSY. (CONTINUED)

<u>NO.</u>	<u>PART NO.</u>	<u>PART NAME</u>	<u>QTY.</u>	<u>REMARKS</u>
52	012010030	BOLT 10X30.....	2.....	REPLACES P/N 001221030
53	030210250	WASHER, LOCK M10	2	
54	467218900	GRIP	1	
55	030210250	WASHER, LOCK M10	2	
56	031110160	WASHER, FLAT M10	2	
57	020310080	NUT M10	2	
58	0105091025	BOLT 10X25.....	2.....	REPLACES P/N 001221025
59	030210250	WASHER, LOCK M10	2	
60	466910050	THROTTLE LEVER ASSY.	1.....	INCLUDES ITEMS W/#
61	470121870	HANDLE BAR	1	
62#	362341550	THROTTLE BODY	1	
63#	362910090	THROTTLE, GEAR COMPLETE, W/BOLT	1	
68#	362455630	THROTTLE LEVER	1	
69#	362455620	SLIDER	1	
70#	050100450	O-RING	1	
71#	050200100	O-RING	1	
72#	031110160	WASHER, FLAT M10	3	
73#	032110180	CONICAL WASHER, LOCK M10	2	
75#	096206006	SOCKET HEAD SCREW 6X6	1	
76#	020310080	NUT M10.....	1.....	REPLACES P/N 020410060
77#	022131008	CAP NUT M10	1	
78#	014208020	SOCKET HEAD SCREW 8X20	1.....	REPLACES P/N 096208020
79#	020408050	NUT M8	1	
80	011606025	BOLT 6X25.....	1.....	REPLACES P/N 001220625
81	030206150	WASHER, LOCK M6	1	
82	952404470	WASHER, FLAT M6.....	1.....	REPLACES P/N 031106100
83	020106050	NUT M6.....	1.....	REPLACES P/N 020306050
94	954003280	OIL HOSE 1100L	1	
95	458451630	BREATHER CAP	1	
96	954003150	MALE CONNECTOR, O-RING 1/4	1	
97	2067550101	CLAMP COMPLETE	1	
98	0105050616	BOLT 6X15.....	1.....	REPLACES P/N 001220615
99	030206150	WASHER, LOCK M6	1	
104	470219590	HAND PUMP	1	
105	956100074	THROTTLE WIRE 1540	1	

HYDRAULIC HAND PUMP ASSY.

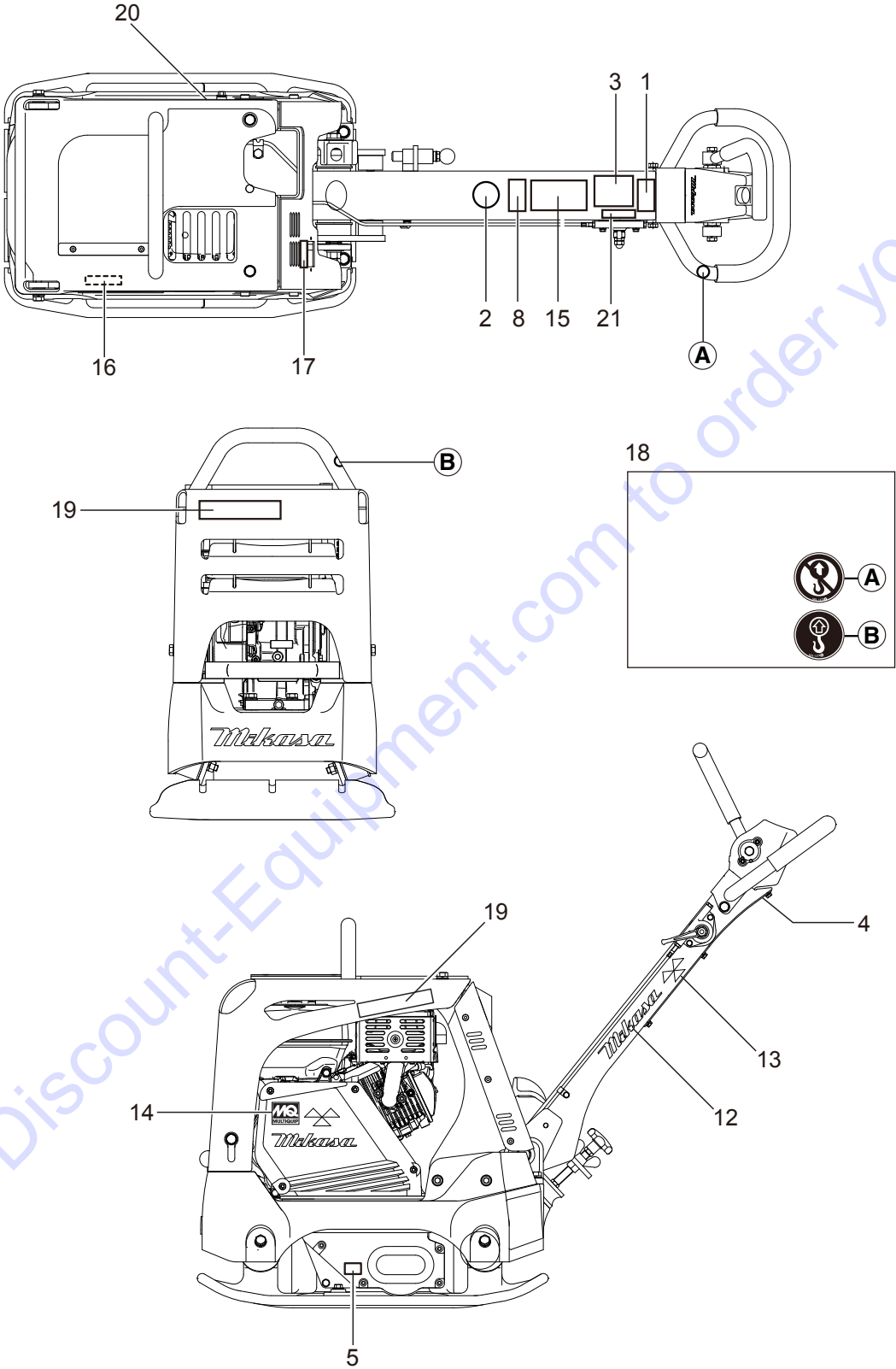


HYDRAULIC HAND PUMP ASSY.

<u>NO.</u>	<u>PART NO.</u>	<u>PART NAME</u>	<u>QTY.</u>	<u>REMARKS</u>
1	470219590	HAND PUMP ASSY.	1.....	INCLUDES ITEMS W/#
2#	470353850	CYLINDER	1	
3#	470469040	CYLINDER CAP	1	
4#	470910020	VALVE ASSY.	1.....	INCLUDES ITEMS W/\$
9#	470469010	CYLINDER END	1	
12#	470469000	PLUG, PUMP	1	
13#	470910010	BREATHER ASSY.	1.....	INCLUDES ITEMS W/%
15#	470468980	CONTROL ARM	1	
16#	470468970	BUSH, PUMP	2	
18#	470468960	CONTROL SHAFT, PUMP	1	
19#	470468950	STOPPER, PUMP	2	
20#	470468940	PIM 7X18, PUMP	1	
27#	040300627	BEARING	1	
28#	025408035	SPRING PIN 8X35	1	
31#	505015380	PLUG PT1/4	2	
32#	050200360	O-RING P-36	3	
33#\$	050200240	O-RING P-24	1	
35#	050210200	O-RING P-20-1B	2	
36#	050100250	O-RING G-25	2	
37#%	050200180	O-RING P-18	1	

Go to Discount-Equipment.com to order your parts

NAMEPLATE AND DECALS ASSY.

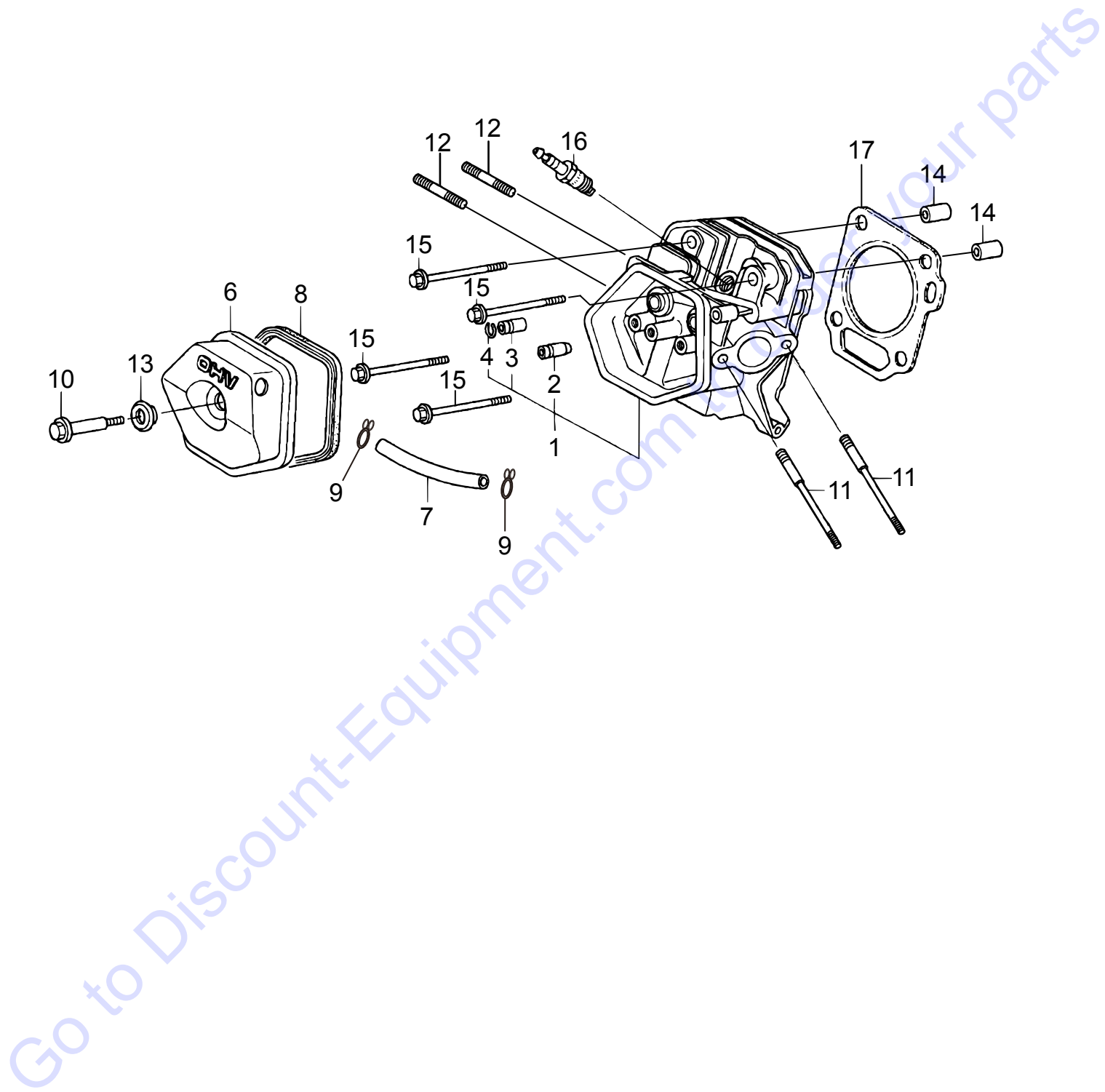


NAMEPLATE AND DECALS ASSY.

<u>NO.</u>	<u>PART NO.</u>	<u>PART NAME</u>	<u>QTY.</u>	<u>REMARKS</u>
1	920204580	DECAL: FULL THROTTLE	1	
2	920203330	EAR PROTECTION LABEL	1	
3	920211060	DECAL: CAUTION (LEVER)	1	
4	920211090	DECAL: SHELL TELLUS OIL 32	1	
5	920201950	DECAL: OIL SAE 10W-30	1	
8	920214100	DECAL: E/G FIRE WARNING	1	
12	920217130	DECAL: MIKASA MARK (W) 200L	2	
13	920217110	DECAL: MIKASA MARK 35X70	2	
14	920220220	DECAL: MQ MARK 72X57	1	
15	920218390	DECAL: CAUTION	1	
16	920220140	DECAL: V-BELT HDPF-5380	1	
17	920218140	DECAL: E/G RPM 3400	1	
18	920900090	DECAL: SET/MVC-MCD/EXP, EU	1	
19	920220080	DECAL: MODEL(R, OR)	2	
20	920220090	DECAL: MODEL(L, OR)	1	
21	920211690	DECAL: LEVER OPERATION	1	

Go to Discount-Equipment.com to order your parts

HONDA GX240UT2SMXC/GX270UT2SCM ENGINE — CYL. HEAD ASSY.



HONDA GX240UT2SMXC/GX270UT2SCM ENGINE — CYL. HEAD ASSY.

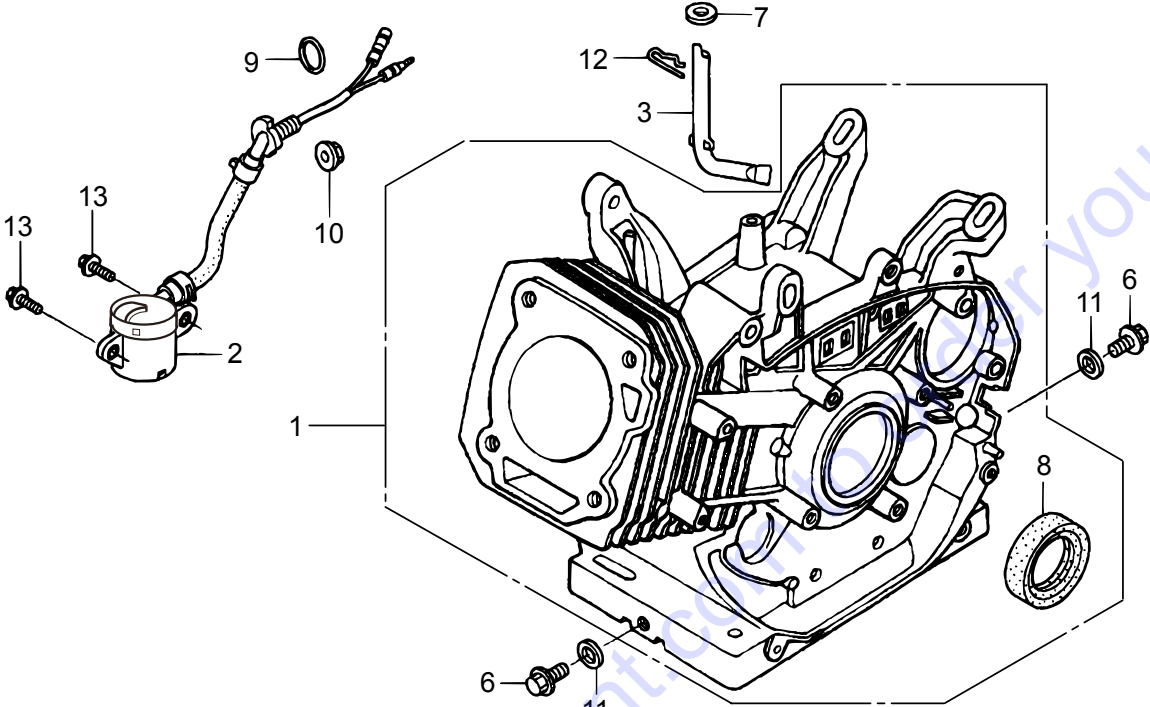
NO.	PART NO.	PART NAME	QTY.	REMARKS
1	12210Z5K405	HEAD, COMPLETE CYLINDER	1.....	INCLUDES ITEMS W/\$
2\$	12204ZE2306	GUIDE, IN.VALVE (OVERSIZE)	1	
3\$	12205ZE2305	GUIDE, EX.VALVE (OVERSIZE)	1	
4\$	12216ZE2300	CLIP, VALVE GUIDE	1	
6	12310ZE3791	COVER COMP., HEAD	1	
7	12315ZE3840	TUBE, BREATHER	1	
8	12391ZE2020	PACKING, HEAD COVER	1	
9	17316611000	CLIP, BREATHER TUBE	2	
10	90014Z5T000	BOLT, HEAD COVER	1	
11	90042ZE2000	BOLT, STUD 8X123	2	
12	92900080320E	BOLT, STUD 8X32	2	
13	90441ZE2010	WASHER COMP., HEAD COVER	1	
14	9430112200	PIN, DOWEL 12X20	2	
15	957011008000	BOLT, FLANGE 10X80	4	
16◆	9807956855	SPARK PLUG (W20EPR-U)	1	
16◆	0650140480	SPARK PLUG (BPR6ES)	1	
16◇	9807956846	SPARK PLUG (BPR6ES).....	1.....	REPLACES P/N 9807956876
17	12251Z5K003	GASKET, CYLINDER HEAD	1	

NOTICE

◆ GX240UT2SMXC

◇ GX270UT2SCM

HONDA GX240UT2SMXC/GX270UT2SCM ENG. — CYL. BARREL ASSY.



HONDA GX240UT2SMXC/GX270UT2SCM ENG. — CYL. BARREL ASSY.

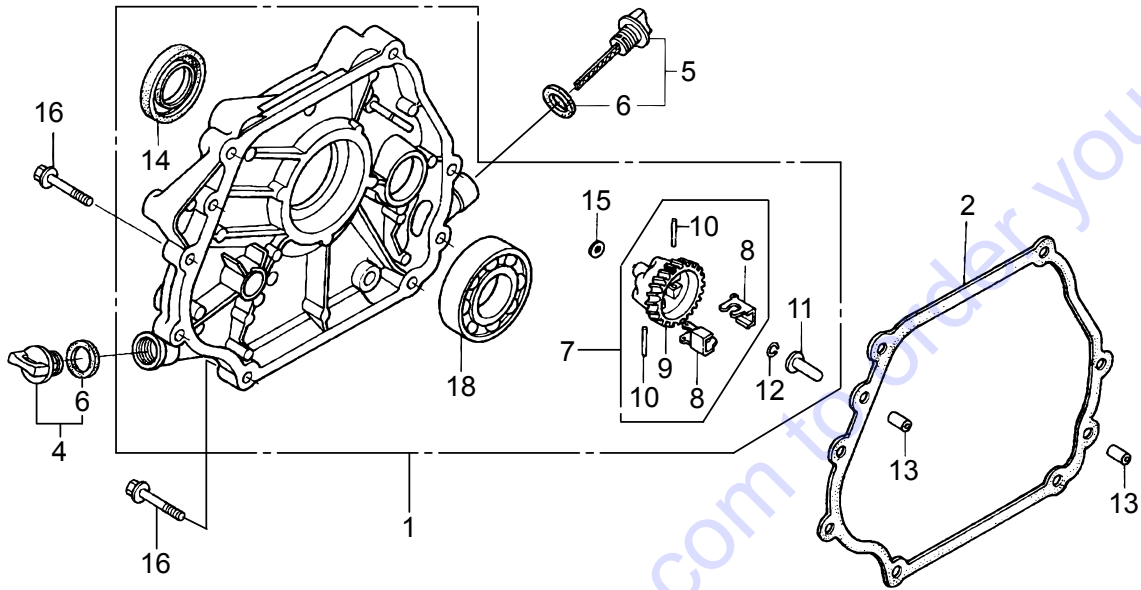
NO.	PART NO.	PART NAME	QTY.	REMARKS
1	12000Z5K406	BARREL, ASSY., CYLINDER	1.....	INCLUDES ITEMS W/\$
2	35480ZF6003	SWITCH ASSY., OIL LEVEL	1	
3	16541ZE2010	SHAFT, GOVERNOR ARM	1	
6◆	90013883000	FLANGE BOLT, 6X12	2	
6◇	90131896650	BOLT, DRAIN PLUG	2	
7	90446KE1000	WASHER, 8.2X17X0.8	1	
8\$	91201Z1D003	OIL SEAL, 30X46X8	1	
9	91353671003	O-RING, 14MM	1.....	REPLACES P/N 91353671004
10	9405010000	FLANGE NUT M10	1	
11	031112230	WASHER, DRAIN PLUG M12	2.....	REPLACES P/N 9410912000
12	9425110000	PIN, LOCK 10MM	1	
13	957010601200	FLANGE BOLT 6X12	2	

NOTICE

◆ GX240UT2SMXC

◇ GX270UT2SCM

HONDA GX240UT2SMXC/GX270UT2SCM ENG. — CRKC. COVER ASSY.

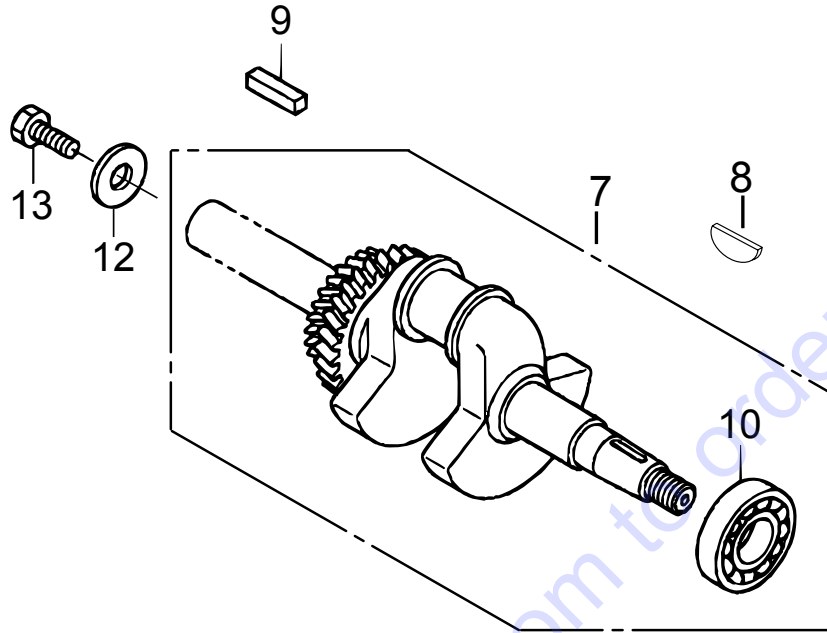


HONDA GX240UT2SMXC/GX270UT2SCM ENG. — CRKC. COVER ASSY.

<u>NO.</u>	<u>PART NO.</u>	<u>PART NAME</u>	<u>QTY.</u>	<u>REMARKS</u>
1	11300Z1D810	COVER ASSY., CRANKCASE.....	1.....	INCLUDES ITEMS W/\$
2	11381Z5K000	PACKING, CASE COVER	1	
4	15600Z0T820	CAP ASSY., OIL FILLER	1.....	INCLUDES ITEMS W/%
5	15600Z1C000	CAP ASSY., OIL FILLER	1.....	INCLUDES ITEMS W/+
6%+	15625Z0T800	PACKING, OIL FILLER CAP	2	
7\$	16510ZE2000	GOVERNOR ASSY.....	1.....	INCLUDES ITEMS W/#
8\$#	16511ZE2000	WEIGHT, GOVERNOR	2	
9\$#	16512ZE2000	HOLDER, GOVERNOR WEIGHT	1	
10\$#	16513ZE2000	PIN, GOVERNOR WEIGHT	2	
11\$	16531Z0A000	SLIDER, GOVERNOR	1	
12\$	90602ZE1000	CLIP, GOVERNOR HOLDER	1	
13	90701HC4000	PIN, DOWEL 8X12	2	
14\$	91201Z1D003	OIL SEAL 30X46X8	1	
15\$	94010106800	WASHER, FLAT, 6MM	1	
16	957010803500	FLANGE BOLT 8X35	7	
18\$	961006206000	BALL BEARING	1	

Go to Discount-Equipment.com to order your parts

HONDA GX240UT2SMXC/GX270UT2SCM ENG. — CRANKSHAFT ASSY.



PARTS FINDER

**Search Website
by Part Number**



**Search Manual
Library For Parts
Manual & Lookup Part
Numbers – Purchase
or Request Quote**

Search Manuals

Enter your information to help us find the right parts manual for your machine.

* Brand:

* Model:

* Serial:

* Part Number:

SEARCH

**Can't Find Part or
Manual? Request Help
by Manufacturer,
Model & Description**

Parts Order Form

Please fill in the following information to help us find the right part for your machine.

Manufacturer:	<input type="text"/>
Model:	<input type="text"/>
Description:	<input type="text"/>
Part Number:	<input type="text"/>
Quantity:	<input type="text"/>
Notes:	<input type="text"/>

Submit

Discount-Equipment.com is your online resource for quality parts & equipment.

Florida: **561-964-4949** Outside Florida TOLL FREE: **877-690-3101**

Need parts?

Click on this link: <http://www.discount-equipment.com/category/5443-parts/> and choose one of the options to help get the right parts and equipment you are looking for. Please have the machine model and serial number available in order to help us get you the correct parts. If you don't find the part on the website or on one of the online manuals, please fill out the request form and one of our experienced staff members will get back to you with a quote for the right part that your machine needs.

We sell worldwide for the brands: Genie, Terex, JLG, MultiQuip, Mikasa, Essick, Whiteman, Mayco, Toro Stone, Diamond Products, Generac Magnum, Airman, Haulotte, Barreto, Power Blanket, Nifty Lift, Atlas Copco, Chicago Pneumatic, Allmand, Miller Curber, Skyjack, Lull, Skytrak, Tsurumi, Husquvarna Target, Stow, Wacker, Sakai, Mi-T-M, Sullair, Basic, Dynapac, MBW, Weber, Bartell, Bennar Newman, Haulotte, Ditch Runner, Menegotti, Morrison, Contec, Buddy, Crown, Edco, Wyco, Bomag, Laymor, EZ Trench, Bil-Jax, F.S. Curtis, Gehl Pavers, Heli, Honda, ICS/PowerGrit, IHI, Partner, Imer, Clipper, MMD, Koshin, Rice, CH&E, General Equipment, Amida, Coleman, NAC, Gradall, Square Shooter, Kent, Stanley, Tamco, Toku, Hatz, Kohler, Robin, Wisconsin, Northrock, Oztec, Toker TK, Rol-Air, APT, Wylie, Ingersoll Rand / Doosan, Innovatech, Con X, Ammann, Mecalac, Makinex, Smith Surface Prep, Small Line, Wanco, Yanmar

HONDA GX240UT2SMXC/GX270UT2SCM ENG. — CRANKSHAFT ASSY.

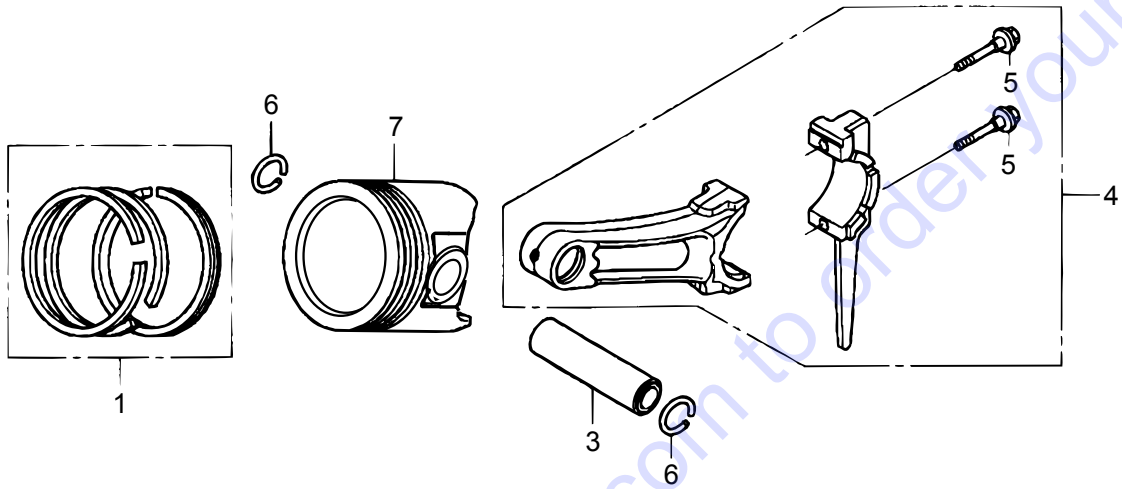
NO.	PART NO.	PART NAME	QTY.	REMARKS
7	13310ZH9010	CRANKSHAFT COMPLETE.....	1.....	INCLUDES ITEMS W/#
8◆	90741ZE2000	KEY, SPECIAL WOODRUFF 25X18	1	
9	90741889810	KEY 7X7X33.....	1.....	REPLACES P/N 951400520
10#	91001ZH9003	BEARING, BALL	1	
12◆	030208200	WASHER, LOCK M8	1	
13◆	011208030	BOLT 8X30.....	1.....	REPLACES P/N 001220830

NOTICE

- ◆ GX240UT2SMXC
- ◇ GX270UT2SCM

Go to Discount-Equipment.com to order your parts

HONDA GX240UT2SMXC/ GX270UT2SCM ENGINE — PISTON ASSY.



HONDA GX240UT2SMXC/ GX270UT2SCM ENGINE — PISTON ASSY.

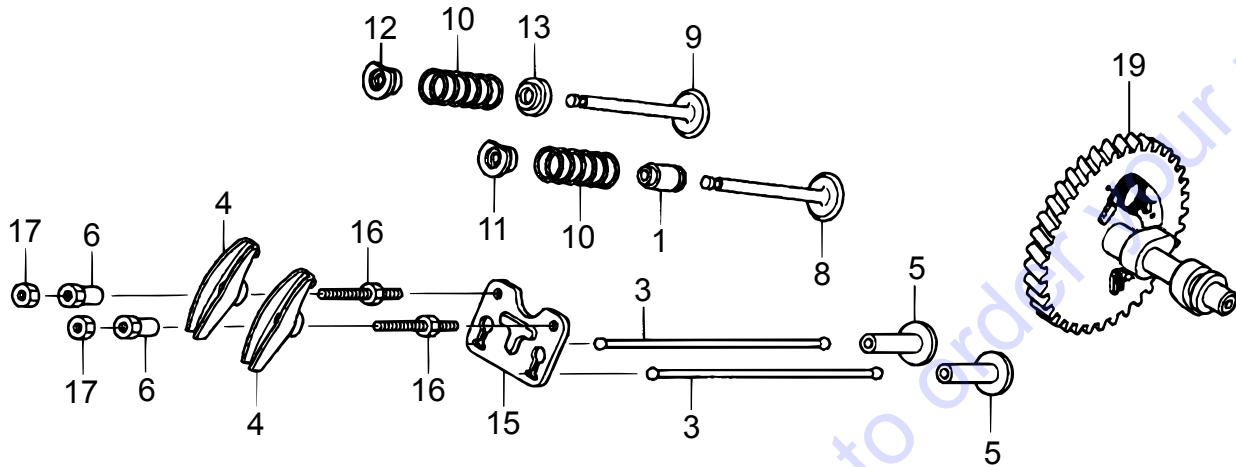
NO.	PART NO.	PART NAME	QTY.	REMARKS
1	13010Z5K004	RING SET, PISTON (STD)	1	
1	13011Z5K004	RING SET, PISTON 0.25 OS	1	
1	13012Z5K004	RING SET, PISTON 0.50 OS	1	
1	13013Z5K004	RING SET, PISTON 0.75 OS	1	
3	13111Z5K000	PIN, PISTON	1	
4♦	13200Z1D305	ROD ASSY., CONNECTING/0.25UN.....	1.....	INCLUDES ITEM W/\$
4	13200Z1D900	ROD ASSY., CONNECTING (STD)	1.....	INCLUDES ITEM W/\$
5\$	90001ZE8000	BOLT, CONNECTING ROD	2	
6	90551ZE1000	CLIP, PISTON PIN 18MM	2	
7	13101Z1D900	PISTON (STD)	1	
7	13102Z5K000	PISTON (0.25 OS)	1	
7	13103Z5K000	PISTON (0.50 OS)	1	
7	13104Z5K000	PISTON (0.75 OS)	1	

NOTICE

- ♦ GX240UT2SMXC
- ◇ GX270UT2SCM

Go to Discount-Equipment.com to order your parts

HONDA GX240UT2SMXC/GX270UT2SCM ENG. — CAMSHAFT ASSY.



Go to Discount-Equipment.com to order your parts

HONDA GX240UT2SMXC ENGINE — CAMSHAFT ASSY.

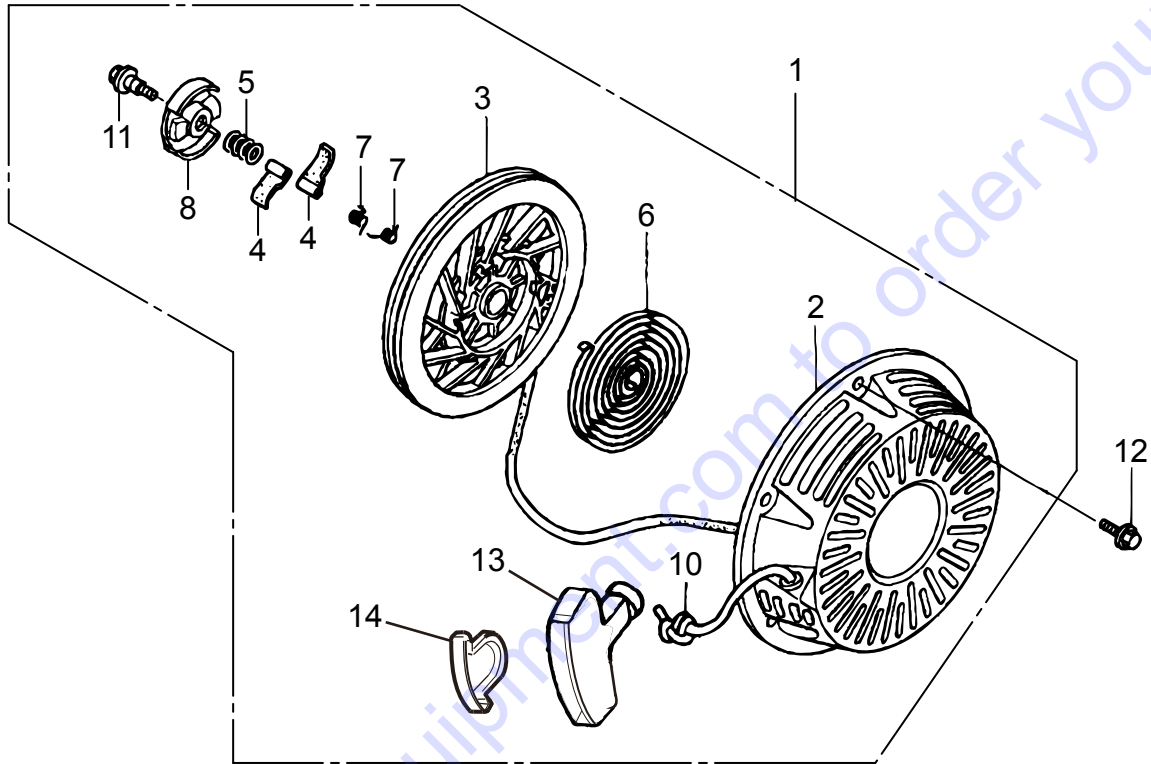
<u>NO.</u>	<u>PART NO.</u>	<u>PART NAME</u>	<u>QTY.</u>	<u>REMARKS</u>
1	12209ZE8003	SEAL, VALVE STEM	1	
3	14410Z1D000	ROD, PUSH	2	
4	14431ZE2010	ARM, VALVE ROCKER	2	
5	14441ZE2000	LIFTER, VALVE	2	
6◆	14451ZE1013	PIVOT, ROCKER ARM	2	
6◇	14451Z4M000	PIVOT, ROCKER ARM	2	
8	14711Z5K900	VALVE, IN.	1	
9	14721Z5K900	VALVE, EX	1	
10	14751Z1C000	SPRING, VALVE	2	
11◆	14771Z8S000	RETAINER, VALVE SPRING	1	
12	14771Z8S000	RETAINER, VALVE SPRING	1	
13	14775ZE2010	SEAT, VALVE SPRING	1	
15	14791Z1D000	PLATE, PUSH ROD GUIDE	1	
16	90012ZE0010	BOLT, PIVOT, 8MM	1	
17	90206ZE1000	NUT, PIVOT ADJUSTING	2	
19	14100Z5K910	CAMSHAFT CP/STD/PRESS FIT	1	

NOTICE

◆ GX240UT2SMXC

◇ GX270UT2SCM

HONDA GX240UT2SMXC/GX270UT2SCM ENG. — RECOIL STR. ASSY.

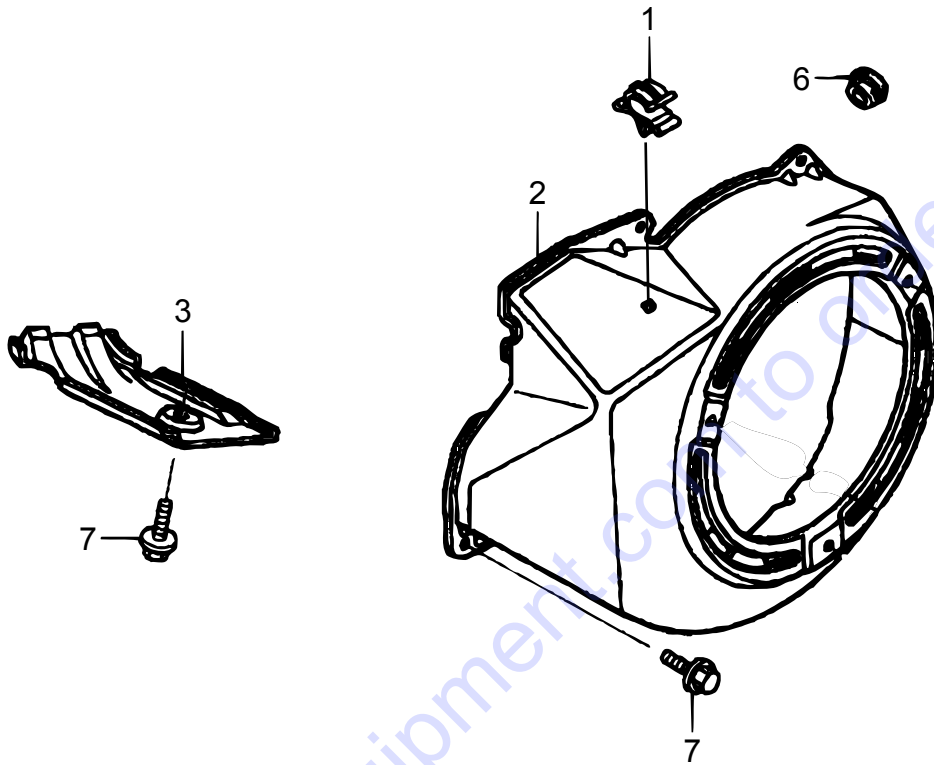


HONDA GX240UT2SMXC/GX270UT2SCM ENG. — RECOIL STR. ASSY.

<u>NO.</u>	<u>PART NO.</u>	<u>PART NAME</u>	<u>QTY.</u>	<u>REMARKS</u>
1	28400Z5K305ZB	RECOIL STARTER ASSY.	1.....	INCLUDES ITEMS W/\$
2\$	28410ZE2W01ZB	CASE COMPLETE, RECOIL STARTER	1	
3\$	28421ZE2W01	PULLEY, RECOIL STARTER	1	
4\$	28422ZE2W01	RATCHET, STARTER	2	
5\$	28441ZE2W01	SPRING, FRICTION	1	
6\$	28442ZE2W01	SPRING, STARTER RETURN	1	
7\$	28443ZE2W01	SPRING, RATCHET	2	
8\$	28444ZE2W01	RETAINER, SPRING	1	
10\$	28462ZE2W11	ROPE, RECOIL STARTER	1	
11\$	90004ZE2W01	SCREW, CENTER	1	
12	957010601000	BOLT FLANGE 6X10	3	
13\$	28461Z5T305	GRIP, STARTER	1	
14\$	28463Z5T013	GRIP, REINFORCEMENT	1	

Go to Discount-Equipment.com to order your parts

HONDA GX240UT2SMXC/GX270UT2SCM ENG. — FAN COVER ASSY.

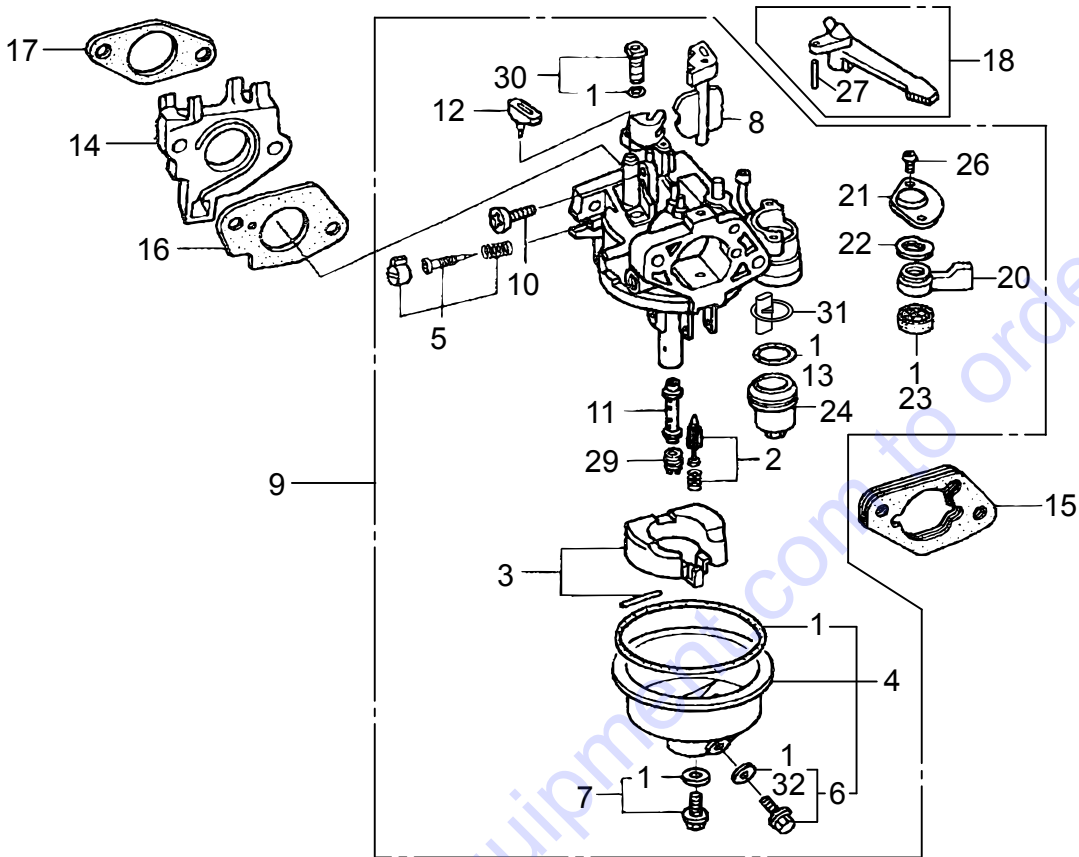


HONDA GX240UT2SMXC/GX270UT2SCM ENG. — FAN COVER ASSY.

<u>NO.</u>	<u>PART NO.</u>	<u>PART NAME</u>	<u>QTY.</u>	<u>REMARKS</u>
1	16731ZE2003	CLIP, TUBE	1	
2	19610Z5K000ZA	COVER, COMPLETE FAN	1	
3	19631Z5K000	SHROUD	1	
6	81329567020	GROMMET, DRAIN HOLE	1	
7	90013883000	FLANGE BOLT 6X12	6	

Go to Discount-Equipment.com to order your parts

HONDA GX240UT2SMXC/GX270UTSMC ENG. — CARBURETOR ASSY.



NOTICE

Gasket set, item 1 included with items 6, 7, 13, 23, 30 and 32..

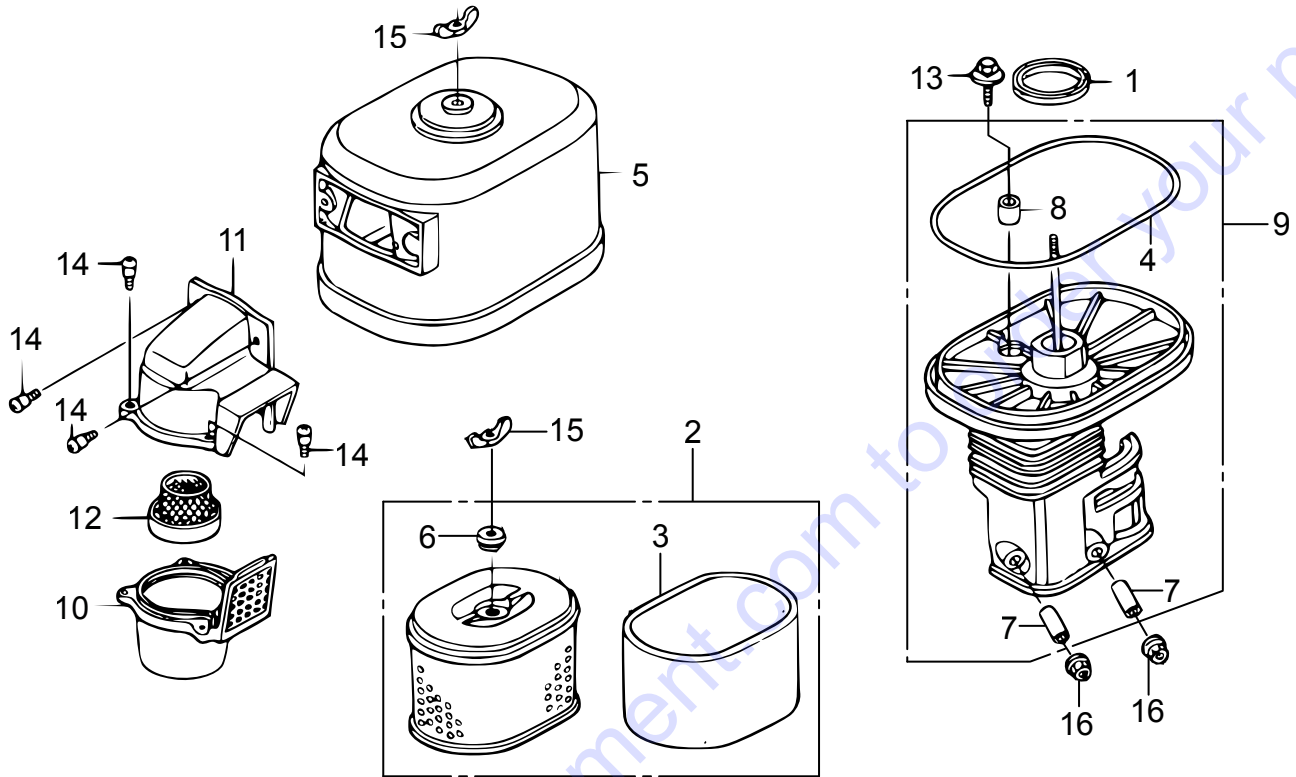
HONDA GX240UT2SMXC/GX270UTSMC ENG. — CARBURETOR ASSY.

NO.	PART NO.	PART NAME	QTY.	REMARKS
1\$#@	16010ZE2812	GASKET SET	1	
2#@	16011ZA0931	VALVE SET, FLOAT	1	
3#@	16013Z1C003	FLOAT SET	1	
4#@	16015Z5T901	CHAMBER SET, FLOAT	1	INCLUDES ITEMS W/\$
5#@	16016ZH7W01	SCREW SET, PILOT	1	
6#@	16024Z5T901	SCREW SET, DRAIN.....	1	INCLUDES ITEMS W/\$
7#@	16028Z5T901	SCREW SET.....	1	INCLUDES ITEMS W/\$
8#@	16044ZE2005	CHOKE SET	1	
9◆	16100Z8S902	CARBURETOR ASSY.....	1	INCLUDES ITEMS W/#
9◇	16100Z5K781	CARBURETOR ASSY.....	1	INCLUDES ITEMS W/@
10#@	16124ZE0005	SCREW, THROTTLE STOP	1	
11◆#	16166Z8S901	NOZZLE, MAIN	1	
11◇@	16166Z5K701	NOZZLE, MAIN	1	
12◆#	16172ZE3W10	COLLAR SET	1	
13#@	16955283000	PACKING, CUP.....	1	REPLACES P/N 16173001004 INCLUDES ITEMS W/\$
14	16211ZE2010	INSULATOR, CARBURETOR	1	
15	16220ZA0702	SPACER COMP., CARBURETOR	1	
16	16221Z5K000	PACKING, CARBURETOR	1	
17	16212Z5K000	PACKING, INSULATOR	1	
18	16610ZE1000	CHOKE LEVER COMPLETE	1	INCLUDES ITEMS W/%
20#@	16953ZE1812	LEVER, COCK	1	
21#@	16954ZE1812	PLATE, LEVER SETTING	1	
22#@	16956ZE1811	SPRING, COCK LEVER	1	
23#@	16957ZE1812	PACKING, FUEL COCK	1	INCLUDES ITEMS W/\$
24@#	16967ZE0811	CUP, FUEL STRAINER	1	
26@#	93500030060H	SCREW 3X6	2	REPLACES P/N 93500030061H
27%	9430520122	SPRING PIN 2X12	1	
29◆#	99101ZH80980	JET, MAIN #98	1	
29◇@	99101ZH80950	JET, MAIN #95	1	
30#@	99204ZE20380	JET SET, PILOT, #38	1	INCLUDES ITEMS W/\$
31#@	16959Z5T901	FILTER, CUP	1	
32#@	16141Z0S003	WASHER, FLAT	1	INCLUDES ITEMS W/\$

NOTICE

- ◆ GX240UT2SMXC
- ◇ GX270UT2SCM

HONDA GX240UT2SMXC ENGINE — AIR CLEANER ASSY.

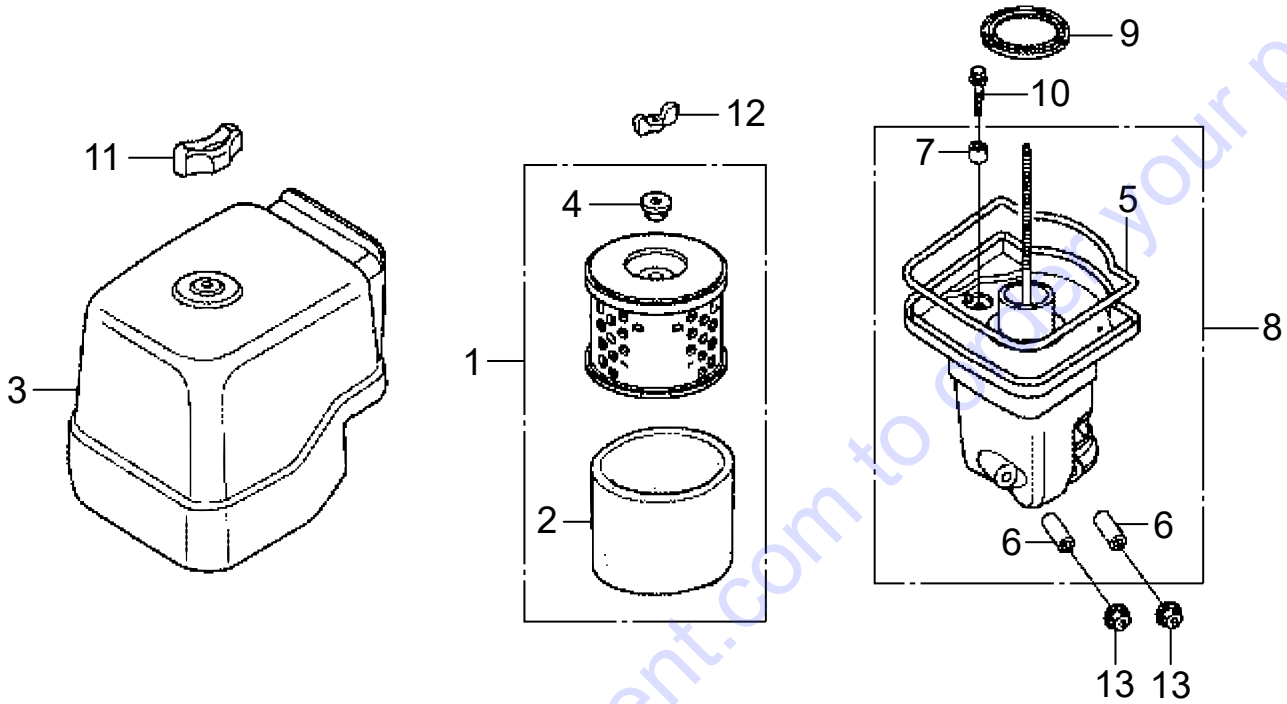


HONDA GX240UT2SMXC ENGINE — AIR CLEANER ASSY.

<u>NO.</u>	<u>PART NO.</u>	<u>PART NAME</u>	<u>QTY.</u>	<u>REMARKS</u>
1	16271ZE2010	PACKING, ELBOW	1	
2	17210ZE3505	ELEMENT, AIR CLEANER	1.....	REPLACES P/N 17210ZE3010 INCLUDES ITEMS W/#
3#	17218ZE3505	FILTER, OUTER	1.....	REPLACES P/N 17218ZE3000
4\$	17219HA2405	PACKING, AIR CLEANER COVER.....	1.....	REPLACES P/N 17219ZE3840
5	17230ZE3841	COVER COMPLETE, AIR CLEANER	1	
6#	17232891000	GROMMET, AIR CLEANER	1	
7\$	17238ZE2310	COLLAR, AIR CLEANER	2	
8\$	17239ZE3840	COLLAR B, AIR CLEANER	1	
9	17410ZE3841	ELBOW COMPLETE AIR CLEANER.....	1.....	INCLUDES ITEMS W/\$
10	17470ZE3842	CASE COMPLETE, PRE AIR CLEANER	1	
11	17475ZE3841	CAP, PRE AIR CLEANER	1	
12	17476ZE3841	GUIDE, PRE AIR CLEANER	1	
13	90009Z1C000	BOLT-WASHER 6X22	1	
14	90142MB0000	SCREW, PAN 5X16.5	5	
15	90325044000	NUT, TOOL BOX SETTING	2	
16	9405006000	FLANGE, NUT 6MM	2	

Go to Discount-Equipment.com to order your parts

HONDA GX270UT2SCM ENGINE — AIR CLEANER ASSY.

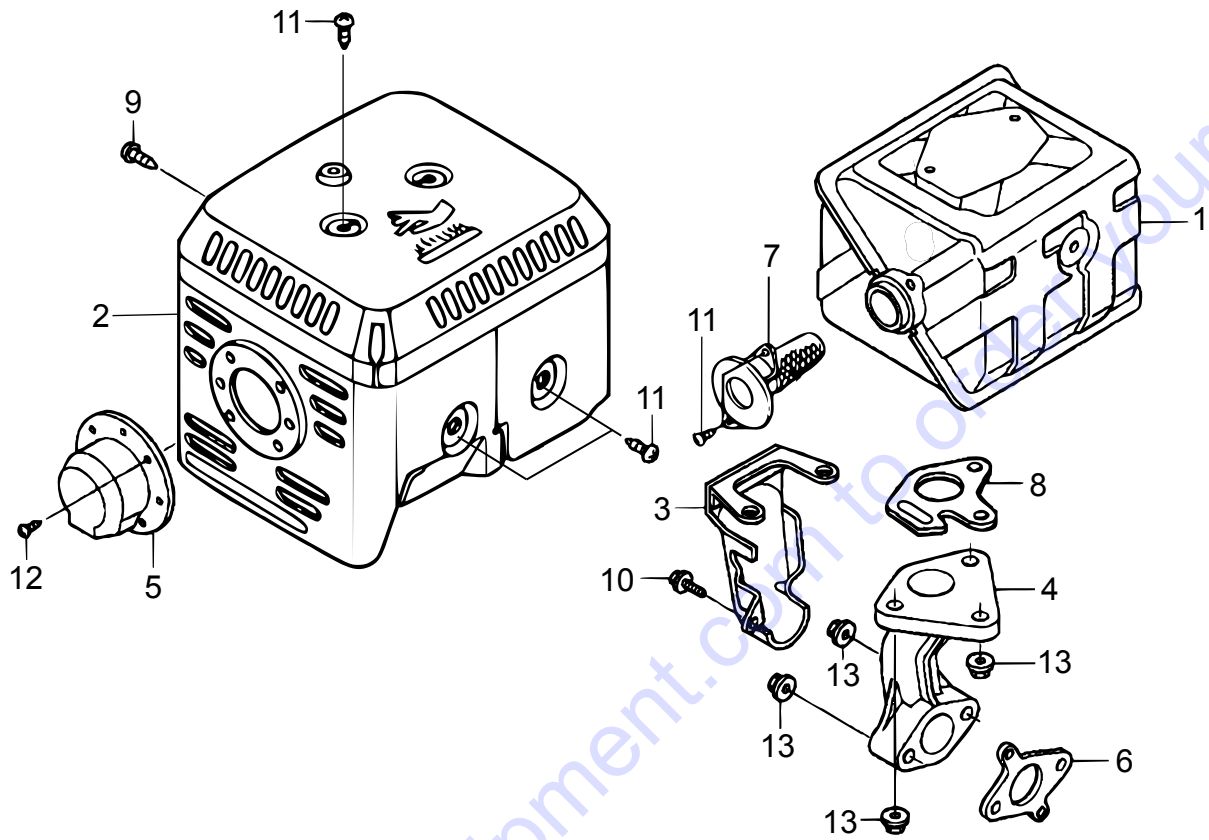


HONDA GX270UT2SCM ENGINE — AIR CLEANER ASSY.

<u>NO.</u>	<u>PART NO.</u>	<u>PART NAME</u>	<u>QTY.</u>	<u>REMARKS</u>
1	17210Z1C781	ELEMENT, AIR CLEANER	1.....	INCLUDES ITEMS W/#
2#	17218Z1C780	FILTER, OUTER	1	
3	17230Z1C780	COVER ASSY., AIR CLEANER	1	
4#	17232891000	GROMMET, AIR CLEANER	1	
5%	17233Z1C780	SEAL, AIR CLEANER COVER	1	
6%	17238ZE2310	COLLAR, AIR CLEANER	2	
7%	17239ZE3840	COLLAR B, AIR CLEANER	1	
8	17410Z1C780	ELBOW COMPLETE, AIR CLEANER	1.....	INCLUDES ITEMS W/%
9	17417Z5T000	PACKING, AIR CLEANER CASE	1	
10	90009Z1C000	BOLT WITH WASHER 6X22	1	
11	90300Z4M800	NUT, AIR CLEANER	1	
12	90325044000	NUT, TOOL BOX SETTING	1	
13	9405006000	FLANGE NUT 6MM	2	

Go to Discount-Equipment.com to order your parts

HONDA GX240UT2SMXC/GX270UT2SCM ENGINE — MUFFLER ASSY.



HONDA GX240UT2SMXC/GX270UT2SCM ENGINE — MUFFLER ASSY.

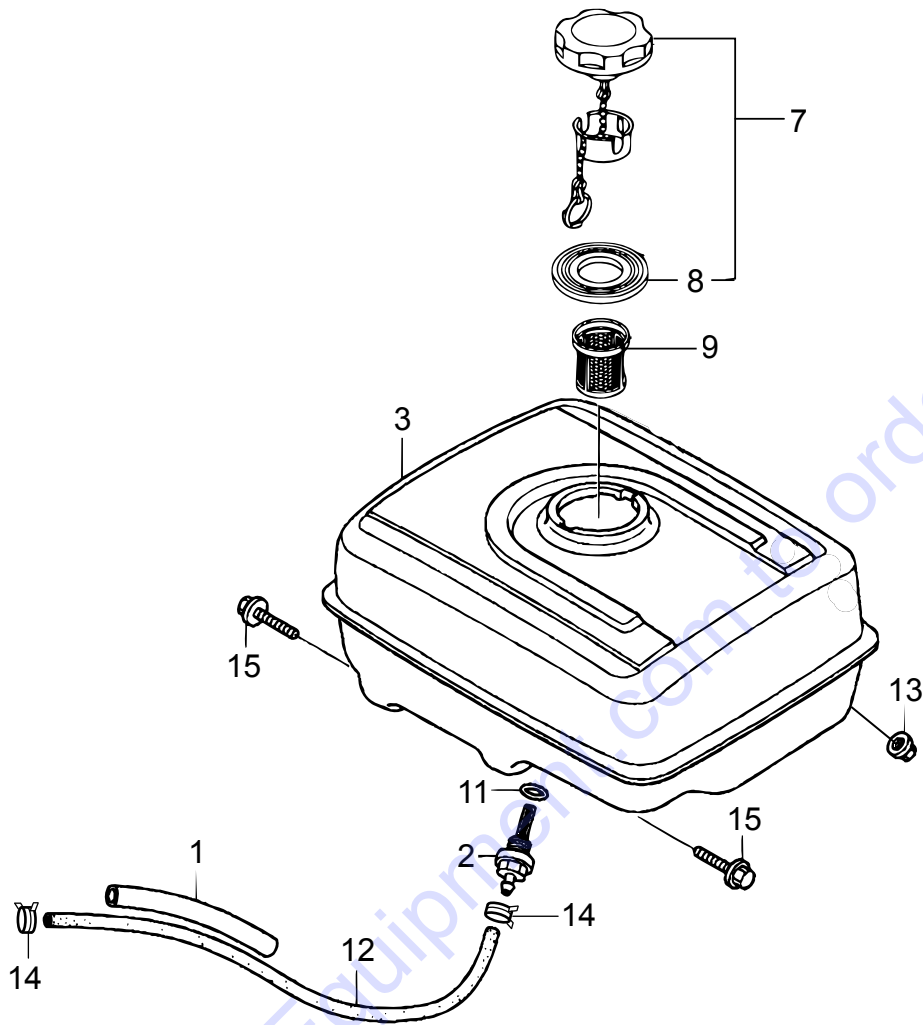
<u>NO.</u>	<u>PART NO.</u>	<u>PART NAME</u>	<u>QTY.</u>	<u>REMARKS</u>
1	18310Z5K010	MUFFLER COMP.	1	
2	18320Z5K000	PROTECTOR COMPLETE, MUFFLER	1	
3	18323ZE2W00	PROTECTOR, EXHAUST PIPE	1	
4	18331Z5T000	PIPE, EX	1	
5	18331ZE3811	CAP, MUFFLER	1	
6	18333Z1C801	GASKET, EX. PIPE	1	
7	18350Z5T800	ARRESTER COMPLETE, SPARK	1	
8♦	18381Z8S801	GASKET, MUFFLER (ARRESTER)	1	
8◇	18381ZE2W10	GASKET, MUFFLER (ARRESTER)	1	
9	90006ZE2000	TAPPING SCREW 6X10	1	
10	90013883000	FLANGE BOLT 6X12	1	
11	90050ZE1000	TAPPING SCREW 5X8	8	
12	90055ZE1000	TAPPING SCREW 4X6	3	
13	9405008000	FLANGE NUT M8	5	

NOTICE

♦ GX240UT2SMXC

◇ GX270UT2SCM

HONDA GX240UT2SMXC/GX270UT2SCM ENG. — FUEL TANK ASSY.

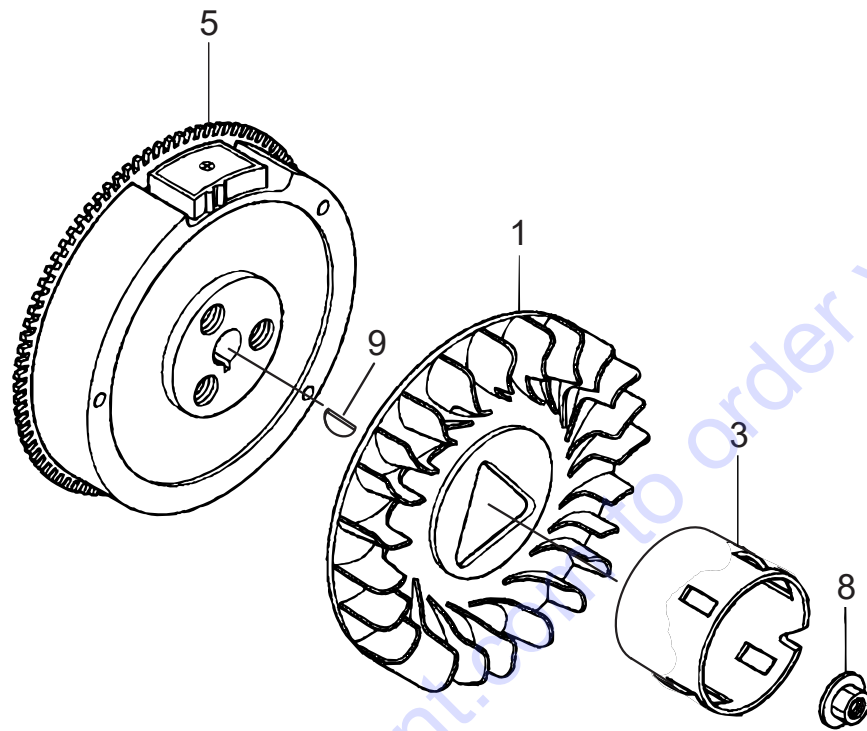


HONDA GX240UT2SMXC/GX270UT2SCM ENG. — FUEL TANK ASSY.

<u>NO.</u>	<u>PART NO.</u>	<u>PART NAME</u>	<u>QTY.</u>	<u>REMARKS</u>
1	16854ZH8000	RUBBER, SUPPORT (107MM)	1	
2	16955ZE1010	JOINT, FUEL TANK	1	
3	17510Z5K000ZA	TANK, COMPLETE FUEL	1	
7	17620Z4H900	FUEL TANK CAP COMPLETE.....	1.....	INCLUDES ITEM W/\$
8\$	17631Z0T801	PACKING, FUEL FILLER CAP	1	
9	17672Z4H000	FILTER, FUEL	1	
11	91353671003	O-RING 14MM.....	1.....	REPLACES P/N 91353671004
12	91424Z5K003	TUBE, FUEL 4.5X210	1	
13	9405008000	FLANGE NUT M8	2	
14	950024080008	CLAMP, TUBE	2	
15	957010802500	FLANGE BOLT 8X25	2	

Go to Discount-Equipment.com to order your parts

HONDA GX240UT2SMXC/GX270UT2SCM ENGINE — FLYWHEEL ASSY.



Go to Discount-Equipment.com to order your parts

HONDA GX240UT2SMXC/GX270UT2SCM ENGINE — FLYWHEEL ASSY.

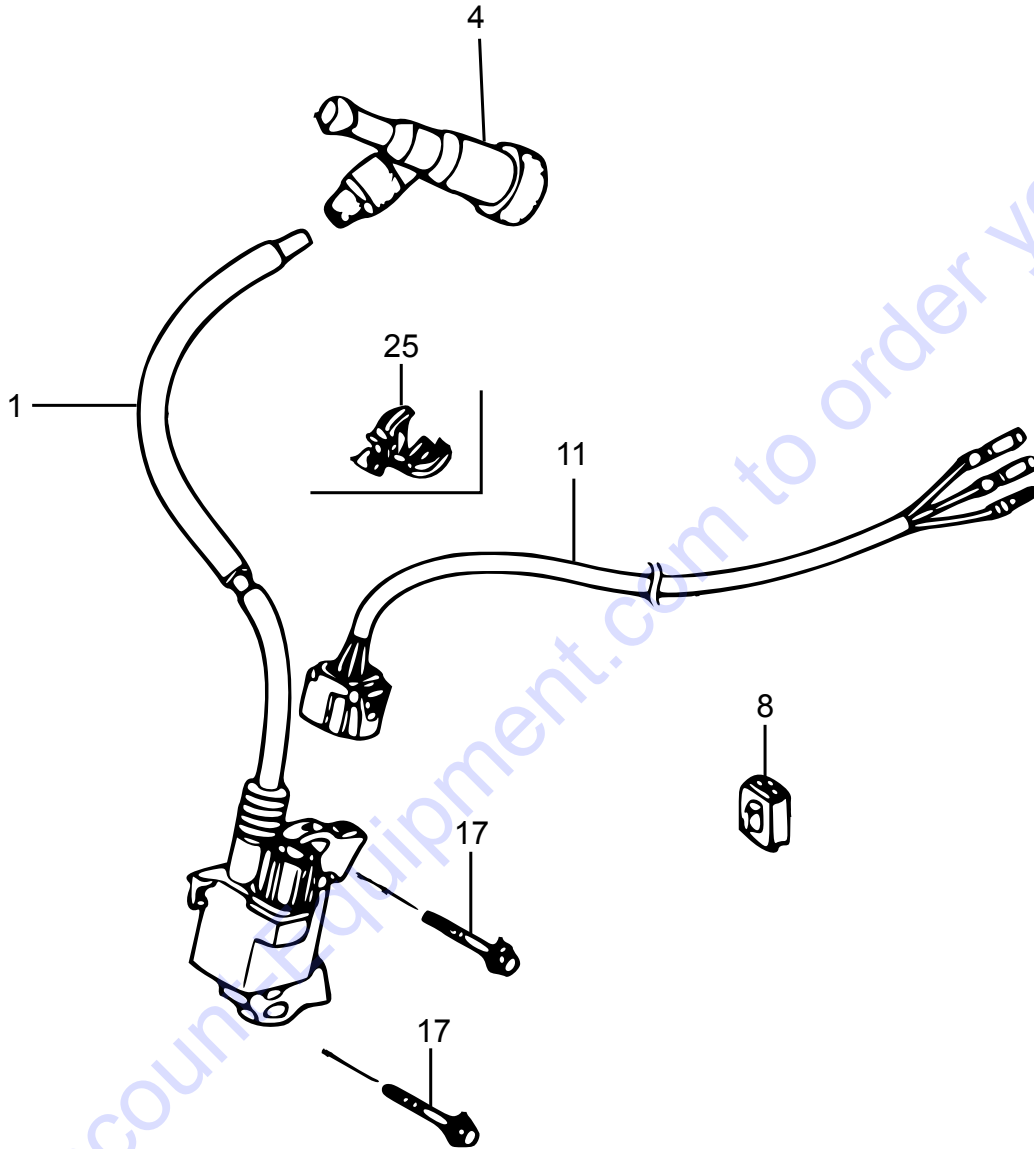
<u>NO.</u>	<u>PART NO.</u>	<u>PART NAME</u>	<u>QTY.</u>	<u>REMARKS</u>
1	19511ZE2000	FAN, COOLING	1	
3	28451ZE2W01	PULLEY, STARTER	1	
5	31110Z5K000	FLYWHEEL, COMPLETE	1	
8	90201ZE3V00	NUT, SPECIAL 16MM	1	
9◇	90741ZE2000	KEY, SPECIAL WOODRUFF 25X18	1	

NOTICE

◆ GX240UT2SMXC

◇ GX270UT2SCM

HONDA GX240UT2SMXC/GX270UT2SCM ENG. — IGNITION COIL ASSY.



HONDA GX240UT2SMXC/GX270UT2SCM ENG. — IGNITION COIL ASSY.

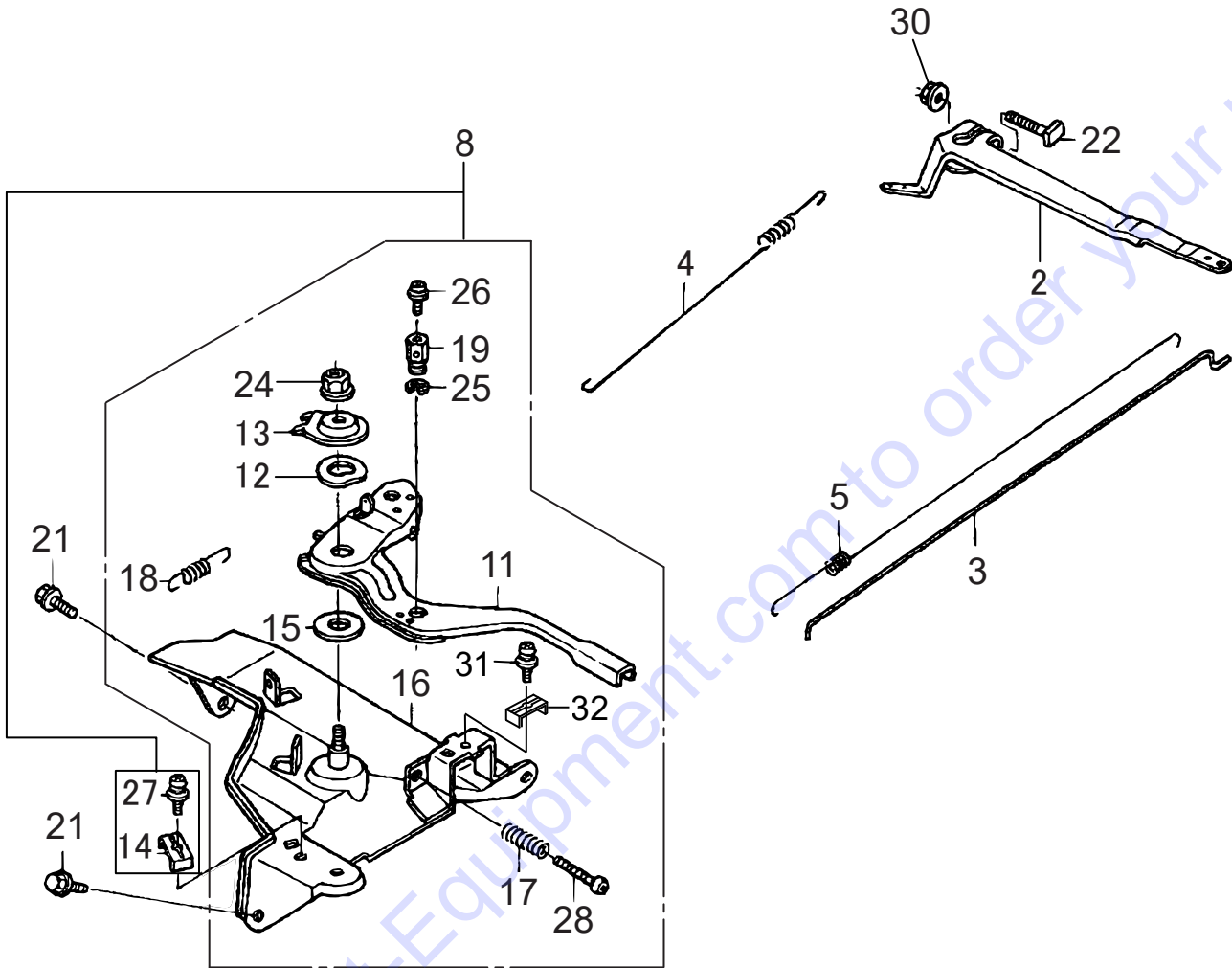
<u>NO.</u>	<u>PART NO.</u>	<u>PART NAME</u>	<u>QTY.</u>	<u>REMARKS</u>
1◆	30500Z8S003	COIL ASSY., IGNITION	1	
1◇	30500Z5K003	COIL ASSY., IGNITION	1	
4◆	30700Z1C811	CAP ASSY., NOISE SUPPRESOR	1	
4◇	30700Z1C813	CAP ASSY., NOISE SUPPRESOR	1	
8	31512ZE2000	GROMMET, CORD	1	
11	32110Z5K000	HARNESS ASSY., E/G WIRE	1	
17	90015883000	FLANGE BOLT 6X28	2	
25	90684ZA0601	CLIP, HARNESS	1	

NOTICE

◆ GX240UT2SMXC

◇ GX270UT2SCM

HONDA GX240UT2SMXC/GX270UT2SCM ENGINE — CONTROL ASSY.



HONDA GX240UT2SMXC/GX270UT2SCM ENGINE — CONTROL ASSY.

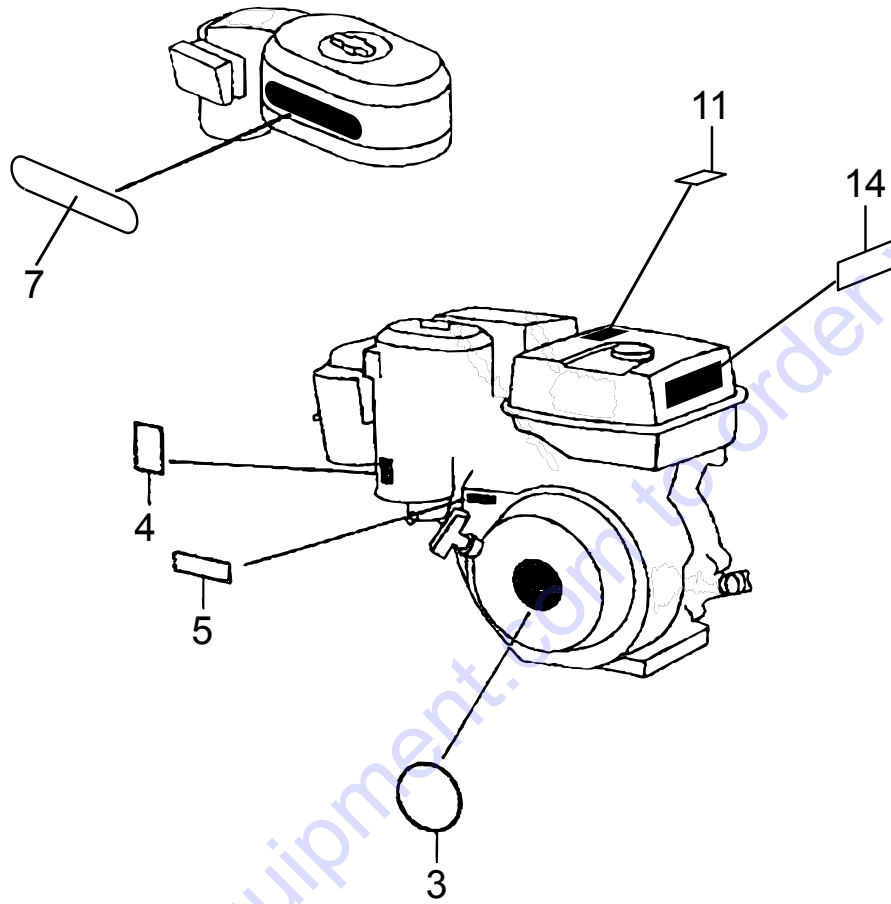
NO.	PART NO.	PART NAME	QTY.	REMARKS
2	16551ZE2000	ARM, GOVERNOR	1	
3	16555ZE2000	ROD, GOVERNOR	1	
4	16561ZE2000	SPRING, GOVERNOR	1	
5◆	16562ZE2000	SPRING, THROTTLE RETURN	1	
5◇	16562Z1D780	SPRING, THROTTLE RETURN	1	
8◆	16500Z5K308	CONTROL ASSY. (REMOTE).....	1	INCLUDES ITEMS W/#
8◇	16500Z1D307	CONTROL ASSY. (REMOTE).....	1	INCLUDES ITEMS W\$
11#\$	16571ZE2W00	LEVER, CONTROL	1	
12#\$	16574ZE1000	LEVER SPRING	1	
13#\$	16575ZE2W00	WASHER, CONTROL LEVER	1	
14#	16576891000	HOLDER, CABLE	1	
14\$	16582Z1D780	HOLDER, CABLE	1	
15#\$	16578ZE1000	SPACER, CONTROL LEVER	1	
16#	16580Z5K000	BASE COMP., CONTROL	1	
16\$	16580Z1D780	BASE COMP., CONTROL	1	
17#\$	16584883300	ADJUSTING SPRING	1	
18#\$	16592883310	SPRING, CABLE RETURN	1	
19#\$	16594883010	HOLDER, WIRE	1	
21	90013883000	FLANGE BOLT 6X12	2	
22	90015Z5T000	BOLT, GOVERNOR ARM	1	
24#\$	90114SA0000	LOCK NUT 6MM	1	
25#\$	90605230000	CIR CLIP	1	
26#\$	0043504060	SCREW 4X6.....	1	REPLACES P/N 93500040060H
27\$	0202005T125	SCREW 5X15.....	1	REPLACES P/N 93500050160A
27#	0202005T125	SCREW 5X15.....	1	REPLACES P/N 93500050160A
28#\$	93500050280A	SCREW, PAN 5X28	1	
30	9405006000	FLANGE NUT 6MM	1	
31\$	0202005T125	SCREW 5X15.....	1	REPLACES P/N 93500050160A
32\$	16576891000	HOLDER, CABLE	1	

NOTICE

◆ GX240UT2SMXC

◇ GX270UT2SCM

HONDA GX240UT2SMXC ENGINE — LABELS ASSY.

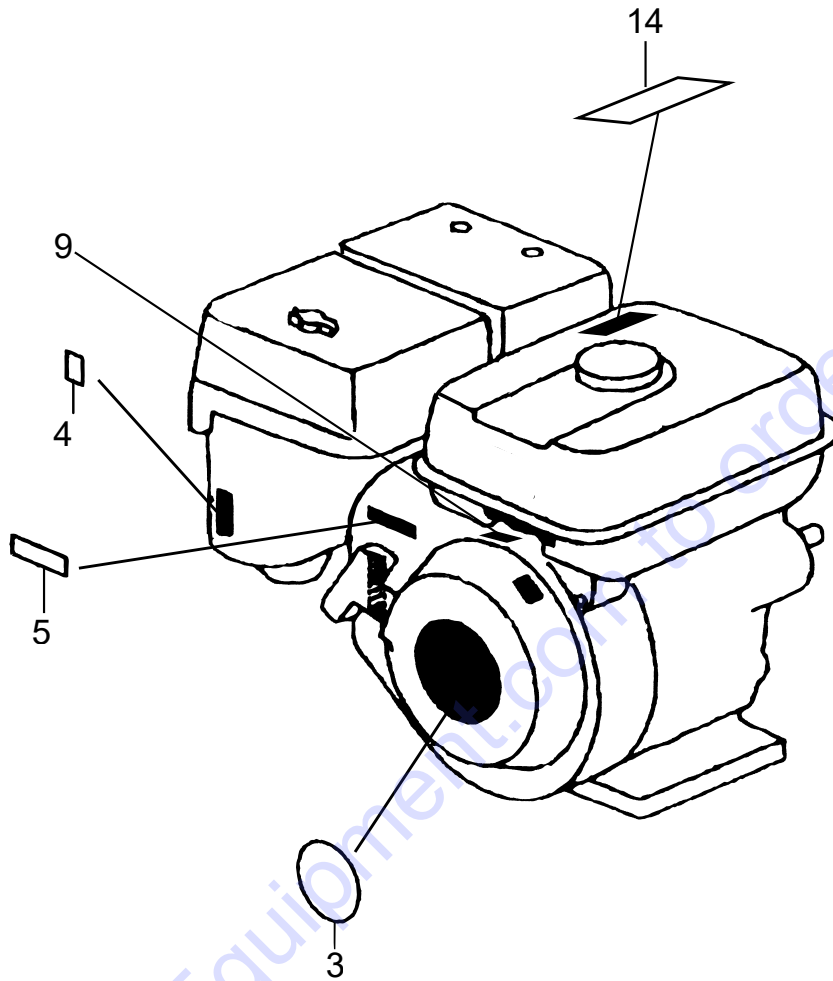


HONDA GX240UT2SMXC ENGINE — LABELS ASSY.

<u>NO.</u>	<u>PART NO.</u>	<u>PART NAME</u>	<u>QTY.</u>	<u>REMARKS</u>
3	87521Z8S000	LABEL, EMBLEM	1	
4	87528Z5T000	MARK, CHOKE (GRAY)	1	
5	87532ZH7000	MARK, THROTTLE INDICATION	1	
7	87535ZE1841	MARK, AIR CLEANER	1	
11	87539Z0J000	MARK, EX. CAUTION (ENGLISH)	1	
14	87516Z4H010	MARK, OP-CAUTION (ENGLISH)	1	

Go to Discount-Equipment.com to order your parts

HONDA GX270UT2SCM ENGINE — LABELS ASSY.



HONDA GX270UT2SCM ENGINE — LABELS ASSY.

<u>NO.</u>	<u>PART NO.</u>	<u>PART NAME</u>	<u>QTY.</u>	<u>REMARKS</u>
3	87521Z5K000	EMBLEM	1	
4	87528Z4M000	MARK, CHOKE	1	
5	87532ZH7000	MARK, THROTTLE INDICATION	1	
9	87516Z4H010	MARK, OP-CAUTION	1	
14	87539Z0J000	MARK, EX. CAUTION/PICTO	1	

Go to Discount-Equipment.com to order your parts

PARTS FINDER

**Search Website
by Part Number**



**Search Manual
Library For Parts
Manual & Lookup Part
Numbers – Purchase
or Request Quote**

Search Manuals

Enter your information to help us find the right parts manual for your machine.

* Brand:

* Model:

* Serial:

* Part Number:

SEARCH

**Can't Find Part or
Manual? Request Help
by Manufacturer,
Model & Description**

Parts Order Form

Please fill in the following information to help us find the right part for your machine.

Manufacturer:	<input type="text"/>
Model:	<input type="text"/>
Description:	<input type="text"/>
Part Number:	<input type="text"/>
Quantity:	<input type="text"/>
Notes:	<input type="text"/>

Submit

Discount-Equipment.com is your online resource for quality parts & equipment.

Florida: **561-964-4949** Outside Florida TOLL FREE: **877-690-3101**

Need parts?

Click on this link: <http://www.discount-equipment.com/category/5443-parts/> and choose one of the options to help get the right parts and equipment you are looking for. Please have the machine model and serial number available in order to help us get you the correct parts. If you don't find the part on the website or on one of the online manuals, please fill out the request form and one of our experienced staff members will get back to you with a quote for the right part that your machine needs.

We sell worldwide for the brands: Genie, Terex, JLG, MultiQuip, Mikasa, Essick, Whiteman, Mayco, Toro Stone, Diamond Products, Generac Magnum, Airman, Haulotte, Barreto, Power Blanket, Nifty Lift, Atlas Copco, Chicago Pneumatic, Allmand, Miller Curber, Skyjack, Lull, Skytrak, Tsurumi, Husquvarna Target, Stow, Wacker, Sakai, Mi-T-M, Sullair, Basic, Dynapac, MBW, Weber, Bartell, Bennar Newman, Haulotte, Ditch Runner, Menegotti, Morrison, Contec, Buddy, Crown, Edco, Wyco, Bomag, Laymor, EZ Trench, Bil-Jax, F.S. Curtis, Gehl Pavers, Heli, Honda, ICS/PowerGrit, IHI, Partner, Imer, Clipper, MMD, Koshin, Rice, CH&E, General Equipment, Amida, Coleman, NAC, Gradall, Square Shooter, Kent, Stanley, Tamco, Toku, Hatz, Kohler, Robin, Wisconsin, Northrock, Oztec, Toker TK, Rol-Air, APT, Wylie, Ingersoll Rand / Doosan, Innovatech, Con X, Ammann, Mecalac, Makinex, Smith Surface Prep, Small Line, Wanco, Yanmar