

PARTS MANUAL



Mikasa **SERIES**

MODEL MVH158GH
REVERSIBLE PLATE COMPACTOR
(HONDA GX200UT2SM14/GX200UT2SCM
GASOLINE ENGINE)

Revision #5 (03/10/23)



THIS MANUAL MUST ACCOMPANY THE EQUIPMENT AT ALL TIMES.

PARTS FINDER

**Search Website
by Part Number**



**Search Manual
Library For Parts
Manual & Lookup Part
Numbers – Purchase
or Request Quote**

Search Manuals

Enter your information to help us find the right parts manual for your machine.

* Brand:

* Model:

* Serial:

* Part Number:

SEARCH

**Can't Find Part or
Manual? Request Help
by Manufacturer,
Model & Description**

Parts Order Form

Please fill in the following information to help us find the right part for your machine.

Manufacturer:	<input type="text"/>
Model:	<input type="text"/>
Description:	<input type="text"/>
Part Number:	<input type="text"/>
Quantity:	<input type="text"/>
Notes:	<input type="text"/>

Submit

Discount-Equipment.com is your online resource for quality parts & equipment.

Florida: **561-964-4949** Outside Florida TOLL FREE: **877-690-3101**

Need parts?

Click on this link: <http://www.discount-equipment.com/category/5443-parts/> and choose one of the options to help get the right parts and equipment you are looking for. Please have the machine model and serial number available in order to help us get you the correct parts. If you don't find the part on the website or on one of the online manuals, please fill out the request form and one of our experienced staff members will get back to you with a quote for the right part that your machine needs.

We sell worldwide for the brands: Genie, Terex, JLG, MultiQuip, Mikasa, Essick, Whiteman, Mayco, Toro Stone, Diamond Products, Generac Magnum, Airman, Haulotte, Barreto, Power Blanket, Nifty Lift, Atlas Copco, Chicago Pneumatic, Allmand, Miller Curber, Skyjack, Lull, Skytrak, Tsurumi, Husquvarna Target, Stow, Wacker, Sakai, Mi-T-M, Sullair, Basic, Dynapac, MBW, Weber, Bartell, Bennar Newman, Haulotte, Ditch Runner, Menegotti, Morrison, Contec, Buddy, Crown, Edco, Wyco, Bomag, Laymor, EZ Trench, Bil-Jax, F.S. Curtis, Gehl Pavers, Heli, Honda, ICS/PowerGrit, IHI, Partner, Imer, Clipper, MMD, Koshin, Rice, CH&E, General Equipment, Amida, Coleman, NAC, Gradall, Square Shooter, Kent, Stanley, Tamco, Toku, Hatz, Kohler, Robin, Wisconsin, Northrock, Oztec, Toker TK, Rol-Air, APT, Wylie, Ingersoll Rand / Doosan, Innovatech, Con X, Ammann, Mecalac, Makinex, Smith Surface Prep, Small Line, Wanco, Yanmar

TABLE OF CONTENTS

MVH158GH Reversible Plate Compactor

Explanation Of Code In Remarks Column.....	4
Suggested Spare Parts	5

Compactor Component Drawings

Nameplate And Decals Assembly	6-7
Vibrating Plate Assembly.....	8-9
Vibrator Assembly	10-11
Base And Engine Assembly	12-15
Electrical Device Assembly	16-17
Control Assembly	18-21
Hydraulic Hand Pump Assembly	22-23

Honda GX200UT2SM14/ GX200UT2SCM Engines

Cylinder Barrel Assembly	24-25
Cylinder Head Assembly	26-27
Camshaft Assembly.....	28-29
Crankcase Cover Assembly	30-31
Fuel Tank Assembly.....	32-33
Muffler Assembly	34-35
Piston Assembly	36-37
Crankshaft Assembly.....	38-39
Fan Cover Assembly.....	40-41
Recoil Starter Assembly	42-43
Flywheel Assembly	44-45
Carburetor Assembly	46-47
Air Cleaner Assembly (GX200UT2SM14)	48-49
Air Cleaner Assembly (GX200UT2SCM).....	50-51
Ignition Coil Assembly	52-53
Control Assembly	54-55
Engine Decal Assembly.....	56-57

NOTICE

Specifications and part numbers are subject to change without notice.

EXPLANATION OF CODE IN REMARKS COLUMN

The following section explains the different symbols and remarks used in the Parts section of this manual. Use the help numbers found on the back page of the manual if there are any questions.

NOTICE

The contents and part numbers listed in the parts section are subject to change **without notice**. Multiquip does not guarantee the availability of the parts listed.

SAMPLE PARTS LIST

NO.	PART NO.	PART NAME	QTY.	REMARKS
1	12345	BOLT	1	INCLUDES ITEMS W/%
2%		WASHER, 1/4 IN.		NOT SOLD SEPARATELY
2%	12347	WASHER, 3/8 IN. ...	1	MQ-45T ONLY
3	12348	HOSE	A/R	MAKE LOCALLY
4	12349	BEARING	1	S/N 2345B AND ABOVE

NO. Column

Unique Symbols — All items with same unique symbol (@, #, +, %, or >) in the number column belong to the same assembly or kit, which is indicated by a note in the “Remarks” column.

Duplicate Item Numbers — Duplicate numbers indicate multiple part numbers, which are in effect for the same general item, such as different size saw blade guards in use or a part that has been updated on newer versions of the same machine.

NOTICE

When ordering a part that has more than one item number listed, check the remarks column for help in determining the proper part to order.

PART NO. Column

Numbers Used — Part numbers can be indicated by a number, a blank entry, or TBD.

TBD (To Be Determined) is generally used to show a part that has not been assigned a formal part number at the time of publication.

A blank entry generally indicates that the item is not sold separately or is not sold by Multiquip. Other entries will be clarified in the “Remarks” Column.

QTY. Column

Numbers Used — Item quantity can be indicated by a number, a blank entry, or A/R.

A/R (As Required) is generally used for hoses or other parts that are sold in bulk and cut to length.

A blank entry generally indicates that the item is not sold separately. Other entries will be clarified in the “Remarks” Column.

REMARKS Column

Some of the most common notes found in the “Remarks” Column are listed below. Other additional notes needed to describe the item can also be shown.

Assembly/Kit — All items on the parts list with the same unique symbol will be included when this item is purchased.

Indicated by:

“INCLUDES ITEMS W/(unique symbol)”

Serial Number Break — Used to list an effective serial number range where a particular part is used.

Indicated by:

“S/N XXXXX AND BELOW”

“S/N XXXX AND ABOVE”

“S/N XXXX TO S/N XXX”

Specific Model Number Use — Indicates that the part is used only with the specific model number or model number variant listed. It can also be used to show a part is NOT used on a specific model or model number variant.

Indicated by:

“XXXXX ONLY”

“NOT USED ON XXXX”

“Make/Obtain Locally” — Indicates that the part can be purchased at any hardware shop or made out of available items. Examples include battery cables, shims, and certain washers and nuts.

“Not Sold Separately” — Indicates that an item cannot be purchased as a separate item and is either part of an assembly/kit that can be purchased, or is not available for sale through Multiquip.

SUGGESTED SPARE PARTS

MVH158GH PLATE COMPACTOR

1 to 3 units

Qty.	P/N	Description
4	939010470	SHOCK ABSORBER
2	070100362	V-BELT
1	956100076	THROTTLE WIRE

NOTICE

Part numbers on this Suggested Spare Parts list may supersede/replace the part numbers shown in the following parts lists.

HONDA GX200UT2SM14/GX200UT2SCM ENGINES

1 to 3 units

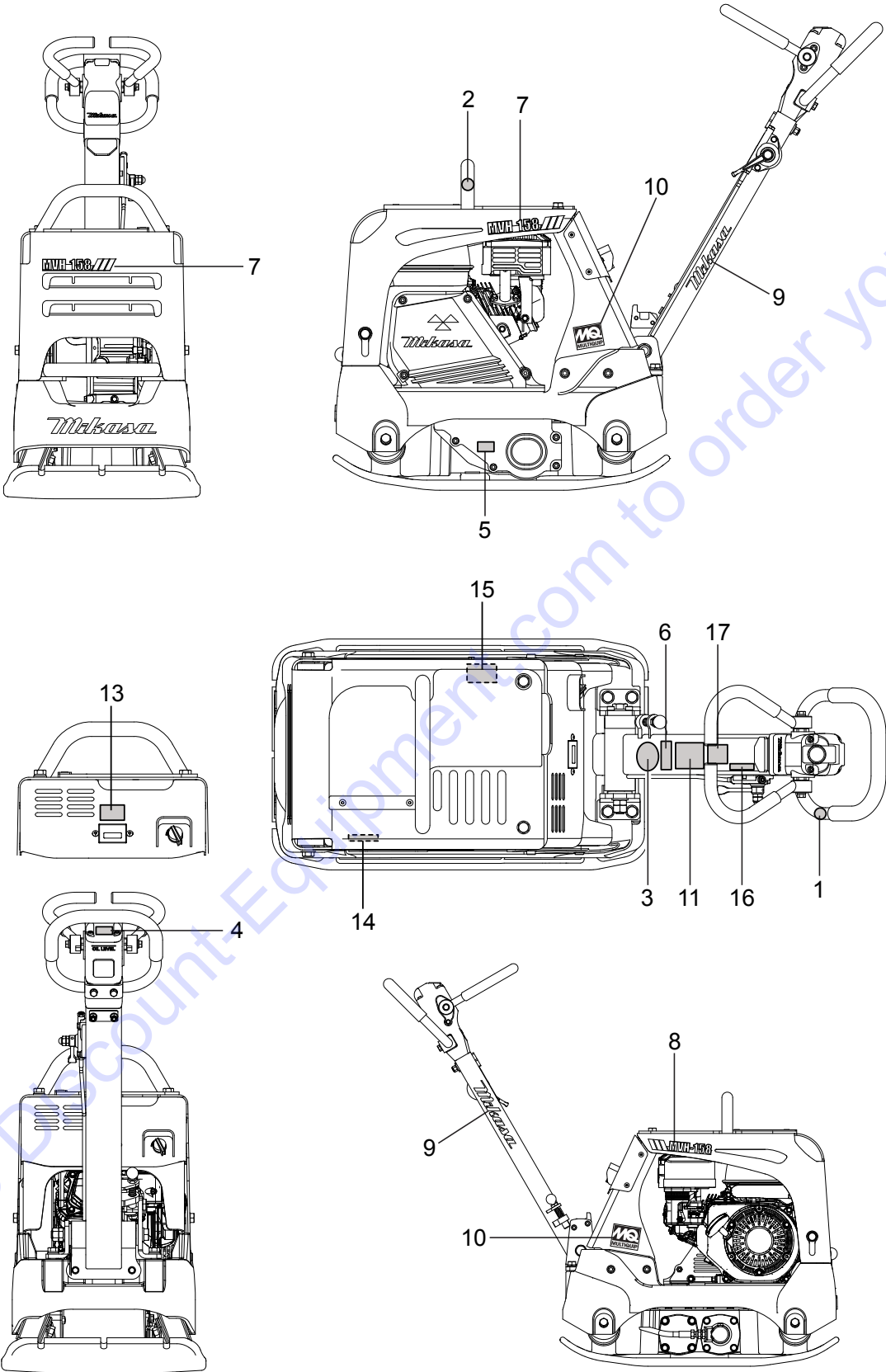
Qty.	P/N	Description
3	0650140480	SPARK PLUG
1	28462ZH8003	ROPE, RECOIL STARTER
3◆	17210ZE1517	ELEMENT, AIR CLEANER
3◇	17210Z0V781	ELEMENT, AIR CLEANER
3◆	17218ZE1507	OUTER FILTER
3◇	17218Z0V780	OUTER FILTER
1◆	17620Z4H030	CAP, FUEL TANK COMP.
1◇	17620Z4H900	CAP, FUEL TANK COMP.
1	17672Z4H000	FILTER, FUEL

NOTICE

- ◆ GX200UT2SM14
- ◇ GX200UT2SCM

Go to Discount-Equipment.com for more parts

NAMEPLATE AND DECALS ASSY.

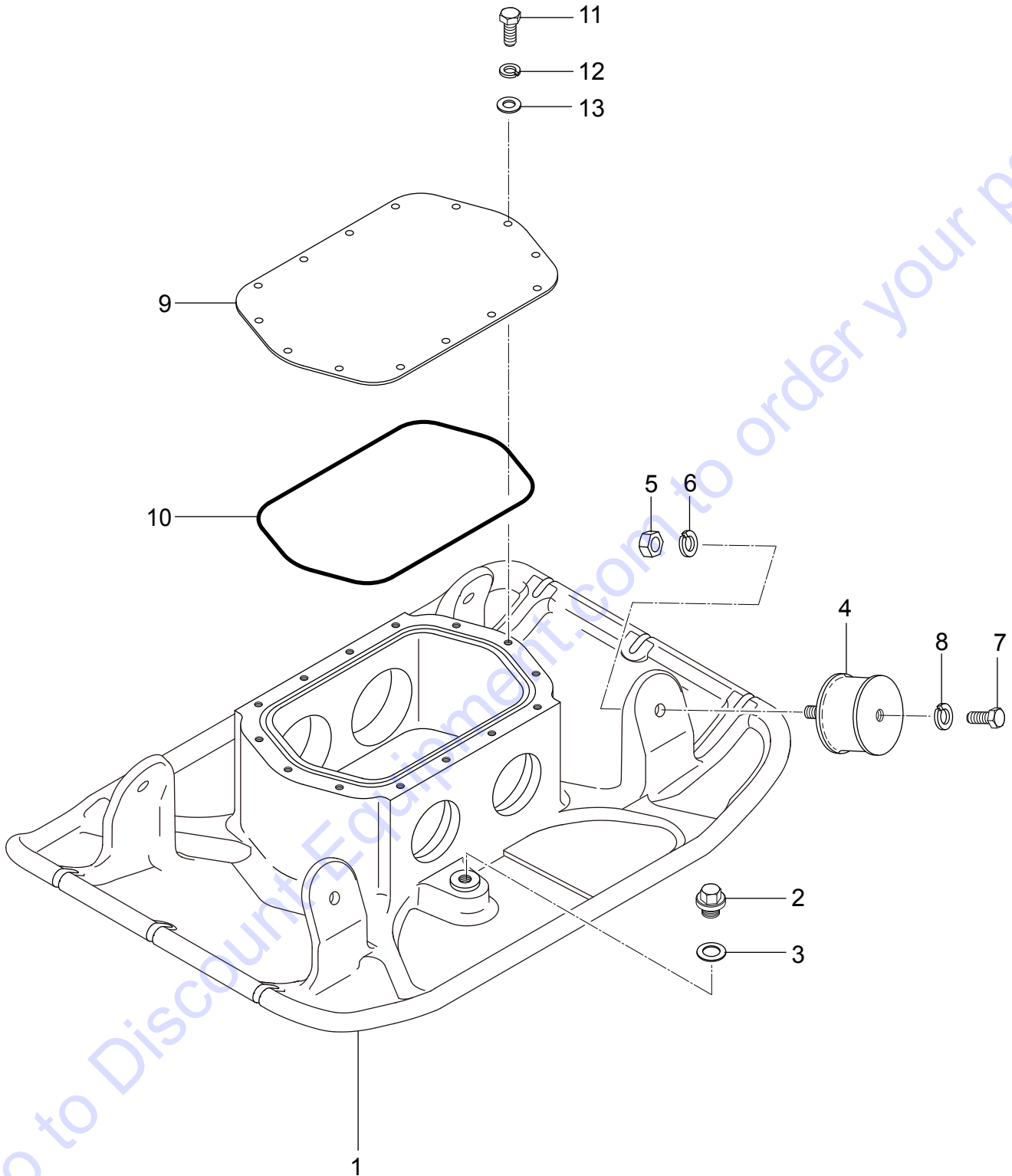


NAMEPLATE AND DECALS ASSY.

<u>NO.</u>	<u>PART NO.</u>	<u>PART NAME</u>	<u>QTY.</u>	<u>REMARKS</u>
1	920900090	DECAL: DO NOT LIFT	1.....	REPLACES P/N 920214730
2	920900090	DECAL: LIFTING POSITION	1.....	REPLACES P/N 920214740
3	920203330	EAR PROTECTION LABEL	1	
4	920211090	DECAL: SHELL TELLUS OIL 32	1	
5	920201950	DECAL: OIL SAE 10W-30	1	
6	920214100	DECAL: E/G FIRE WARNING	1	
7	920220520	DECAL: MODEL (R, OR)	2	
8	920220530	DECAL: MODEL (L, OR)	1	
9	920217130	DECAL: MIKASA MARK (W) 200L	2	
10	920220220	DECAL: MQ MARK 72X57	2	
11	920218390	DECAL: CAUTION	1	
13	920218130	DECAL: E/G RPM 3600	1	
14	920220490	DECAL: V-BELT RPF-3360	1	
15		PLATE: SERIAL NO.	1.....	CONTACT DISCOUNT-EQUIPMENT.
16	920211690	DECAL: LEVER OPERATION	1	
17	920220810	DECAL: CAUTION (LEVER)	1	

Go to Discount-Equipment.com to order your parts

VIBRATING PLATE ASSY.

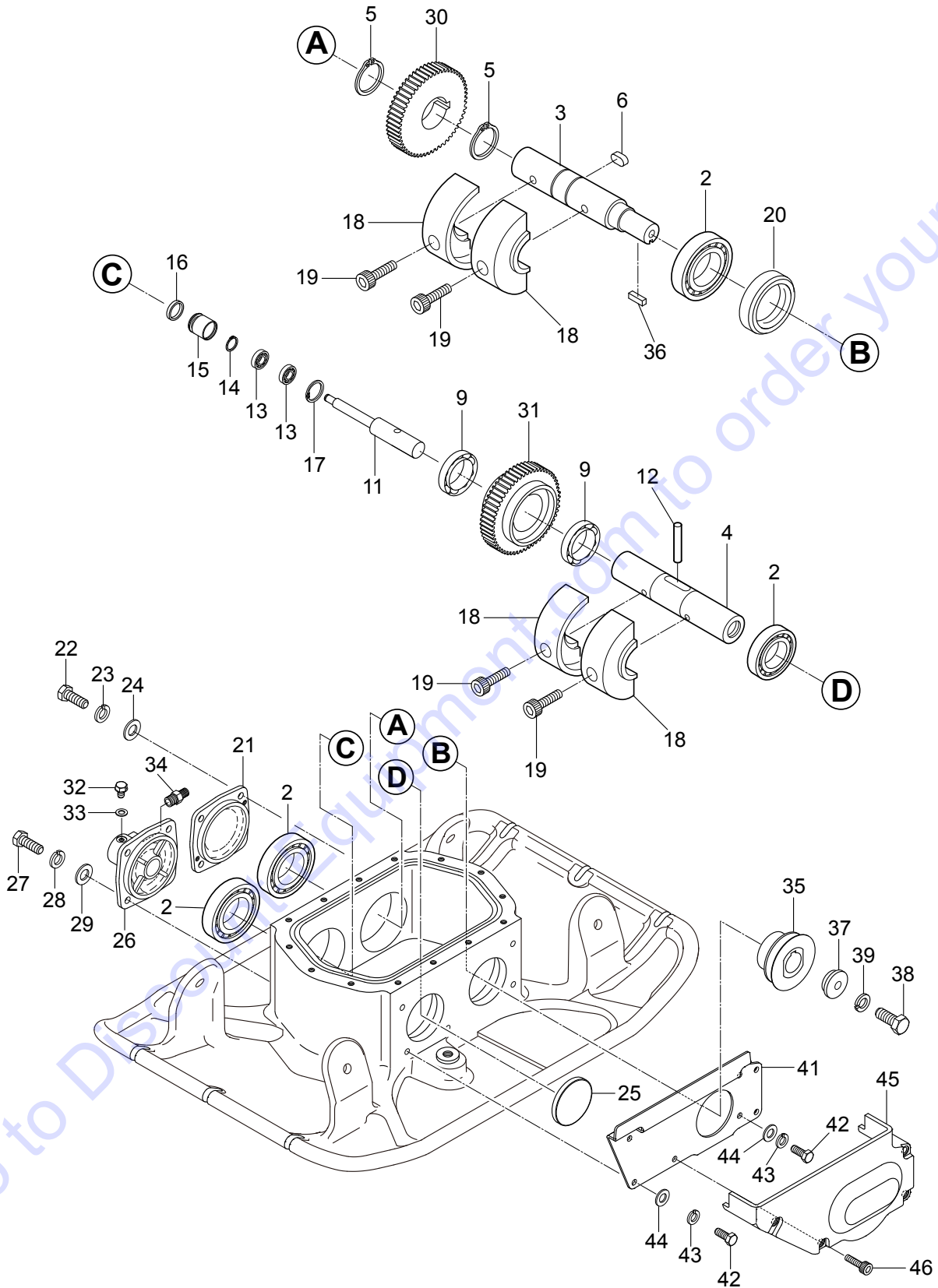


VIBRATING PLATE ASSY.

<u>NO.</u>	<u>PART NO.</u>	<u>PART NAME</u>	<u>QTY.</u>	<u>REMARKS</u>
1	471122120	VIBRATING PLATE	1	
2	953405270	PLUG 1/4X14 13L	1	
3	953405260	PACKING 1/4 (CU)	1	
4	939010470	SHOCK ABSORBER	4	
5	0039312000	NUT M12.....	4	REPLACES P/N 020312100
6	030212300	WASHER, LOCK M12	4	
7	012012030	BOLT 12X30.....	4	REPLACES P/N 001221230
8	030212300	WASHER, LOCK M12	4	
9	471354550	COVER, VIBRATOR	1	
10	050710160	O-RING	1	
11	014208020	BOLT 8X20.....	14	REPLACES P/N 001220820
12	030208200	WASHER, LOCK M8	14	
13	0401450080	WASHER, FLAT M8.....	14	REPLACES P/N 031108160

Go to Discount-Equipment.com to order your parts

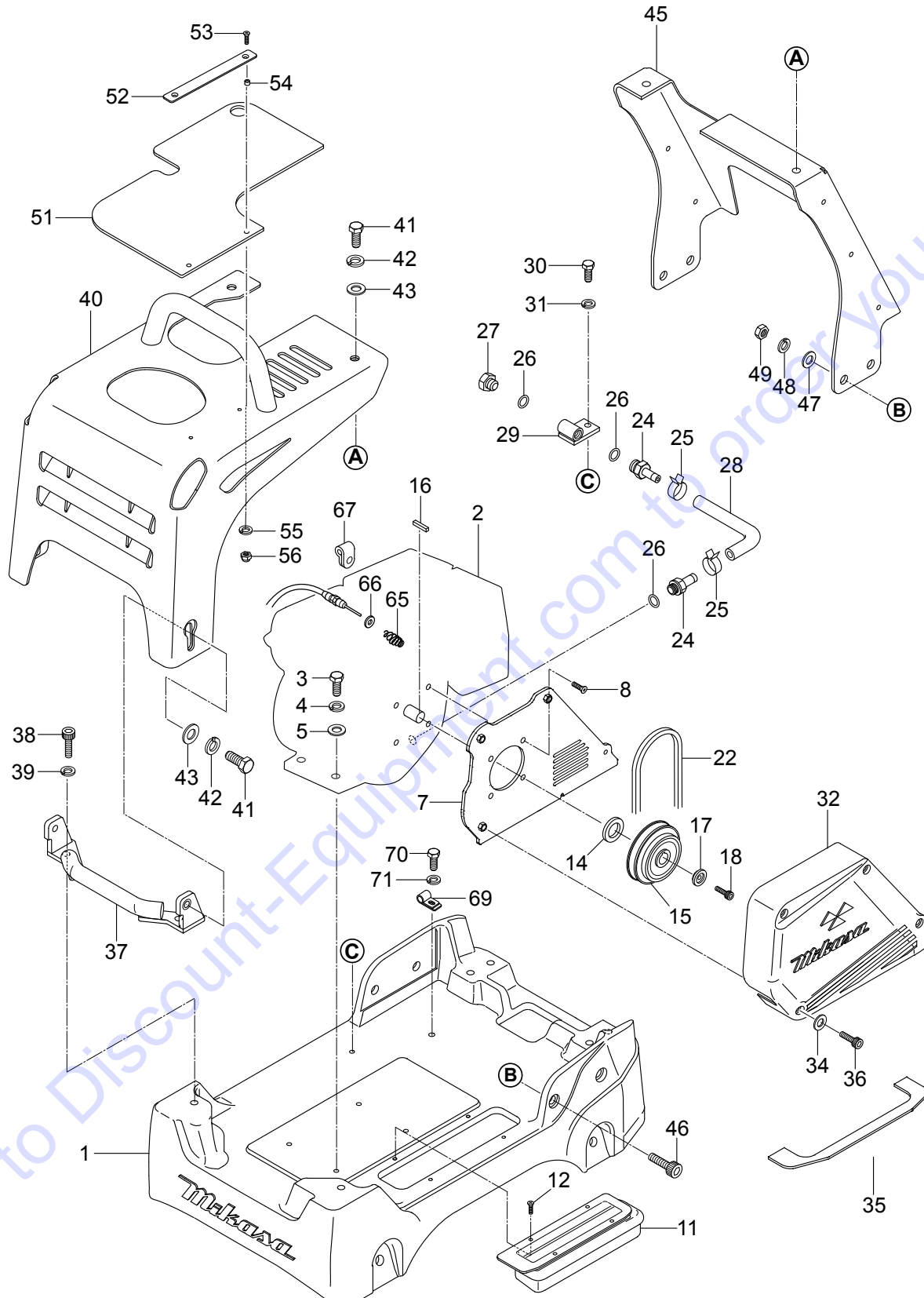
VIBRATOR ASSY.



VIBRATOR ASSY.

<u>NO.</u>	<u>PART NO.</u>	<u>PART NAME</u>	<u>QTY.</u>	<u>REMARKS</u>
2	047920090	ROLLER BEARING	4	
3	471354820	ROTARY SHAFT, DRIVE	1	
4	471354830	ROTARY SHAFT, DRIVEN	1	
5	080200350	STOP RING S-35	2	
6	951405460	KEY 10X8X19	1	
9	040306907	BEARING 6907C3	2	
11	459346230	PISTON ROD	1	
12	025508050	PIN 8X50	1	
13	042006000	BEARING 6000ZZSG	2	REPLACES P/N 042506000
14	0080000010	STOP RING S-10.....	1	REPLACES P/N 080200100
15	455435051	PISTON	1	
16	455010070	PACKING USH-22.4X30X5	1	
17	080100260	STOP RING R-26	1	
18	471470150	ECCENTRIC ROTATOR	4	
19	009120306	SOCKET HEAD BOLT 10X30	4	
20	060202060	OIL SEAL	1	
21	471354540	BEARING COVER	1	
22	011208025	BOLT 8X25.....	4	REPLACES P/N 001220825
23	030208200	WASHER, LOCK M8	4	
24	0401450080	WASHER, FLAT M8.....	4	REPLACES P/N 031108160
25	953010060	SEAL CAP	1	
26	471219700	CYLINDER	1	
27	011208025	BOLT 8X25.....	4	REPLACES P/N 001220825
28	030208200	WASHER, LOCK M8	4	
29	0401450080	WASHER, FLAT M8.....	4	REPLACES P/N 031108160
30	471354810	GEAR (DRIVE)	1	
31	458342590	GEAR (DRIVEN)	1	
32	011008015	BOLT 8X12.....	1	REPLACES P/N 001220812
33	953404600	COPPER PACKING 8.2X16X1.6	1	
34	954010020	CONNECTOR PT, PF1/4	1	
35	471354620	PULLEY	1	
36	951401920	KEY 7X7X30	1	
37	471470140	WASHER, PULLEY	1	
38	011208030	BOLT 8X30.....	1	REPLACES P/N 001220830
39	030208200	WASHER, LOCK M8	1	
41	471354610	GUIDE, BELT COVER	1	
42	014208020	BOLT 8X20.....	3	REPLACES P/N 001220820
43	030208200	WASHER, LOCK M8	3	
44	0401450080	WASHER, FLAT M8.....	3	REPLACES P/N 031108160
45	471219680	BELT COVER, LOWER	1	
46	001520852	SOCKET HEAD BOLT 8X60	4	

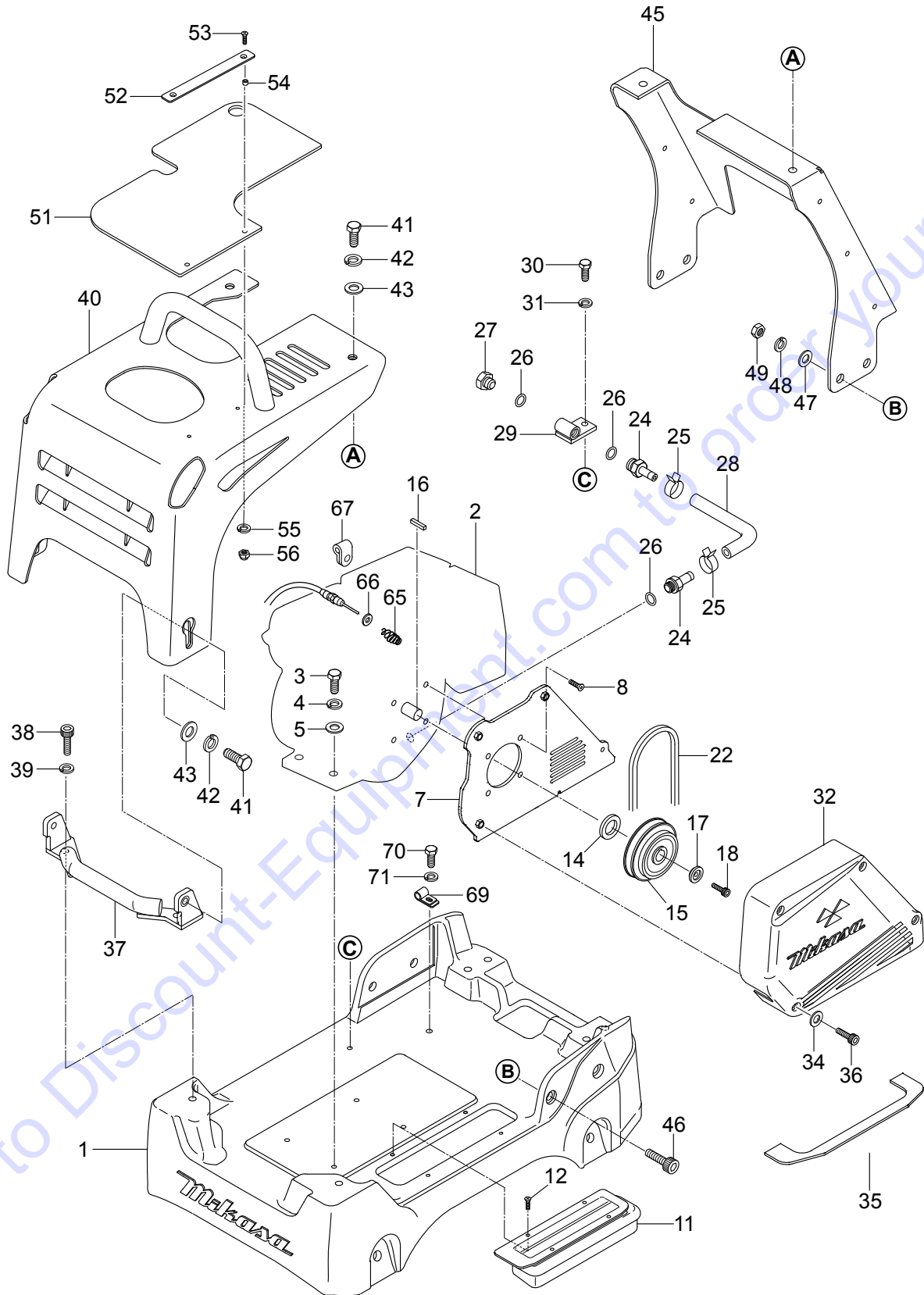
BASE AND ENGINE ASSY.



BASE AND ENGINE ASSY.

<u>NO.</u>	<u>PART NO.</u>	<u>PART NAME</u>	<u>QTY.</u>	<u>REMARKS</u>
1	471122110	BASE	1	
2	912220012	ENGINE ASSEMBLY/GX200UT2SM12.....	1	S/N C1043 ~ BELOW
2	912220016	ENGINE ASSEMBLY/GX200UT2SCM	1	S/N C1044 ~ ABOVE
3	011008040	BOLT 8X40.....	4	REPLACES P/N 001220840
4	030208200	WASHER, LOCK M8	4	
5	0401450080	WASHER, FLAT M8.....	4	REPLACES P/N 031108160
7	471354600	BELT COVER (IN)	1	
8	009120408	SUNK HEAD BOLT 8X20	4	
11	471219740	DUST COVER	1	
12	092006010	FLAT HEAD SCREW 6X10	4	
14	952409670	SPACER 20X25X10	1	
15	458337770	CLUTCH ASSEMBLY	1	
16	0320050150	KEY	1	
17	471470090	CLUTCH WASHER	1	
18	014208025	SOCKET HEAD BOLT 8X25.....	1	REPLACES P/N 001520825
22	070100362	V-BELT	1	
24	15550ZK8P90	DRAIN JOINT	2	
25	954010070	HOSE BAND 11.5D	2	
26	90601ZE1000	WASHER, DRAIN PLUG	3	
27	90131ZE1000	BOLT, DRAIN PLUG	1	
28	15552ZB9000	DRAIN HOSE	1	
29	459462050	JOINT	1	
30	014208020	BOLT 8X20.....	1	REPLACES P/N 001220820
31	030208200	WASHER, LOCK M8	1	
32	471122130	BELT COVER (OUT)	1	
34	033910220	WASHER, 8.4X15.5X1.6	4	
35	471354560	DUST SPONGE (OUT)	1	
36	001520851	SOCKET HEAD BOLT 8X55	4	
37	471354570	FRONT BUMPER	1	
38	014212035	SOCKET HEAD BOLT 12X35.....	2	REPLACES P/N 001521235
39	030212300	WASHER, LOCK M12	2	
40	471122169	FRONT COVER	1	
41	012212035	BOLT 12X35.....	4	REPLACES P/N 001221235
42	030212300	WASHER, LOCK M12	4	
43	031112230	WASHER, FLAT M12	4	
45	471219690	CENTER COVER	1	
46	001521030	SOCKET HEAD BOLT 10X30	4	
47	031110160	WASHER, FLAT M10	4	
48	030210250	WASHER, LOCK M10	4	
49	020310080	NUT M10	4	

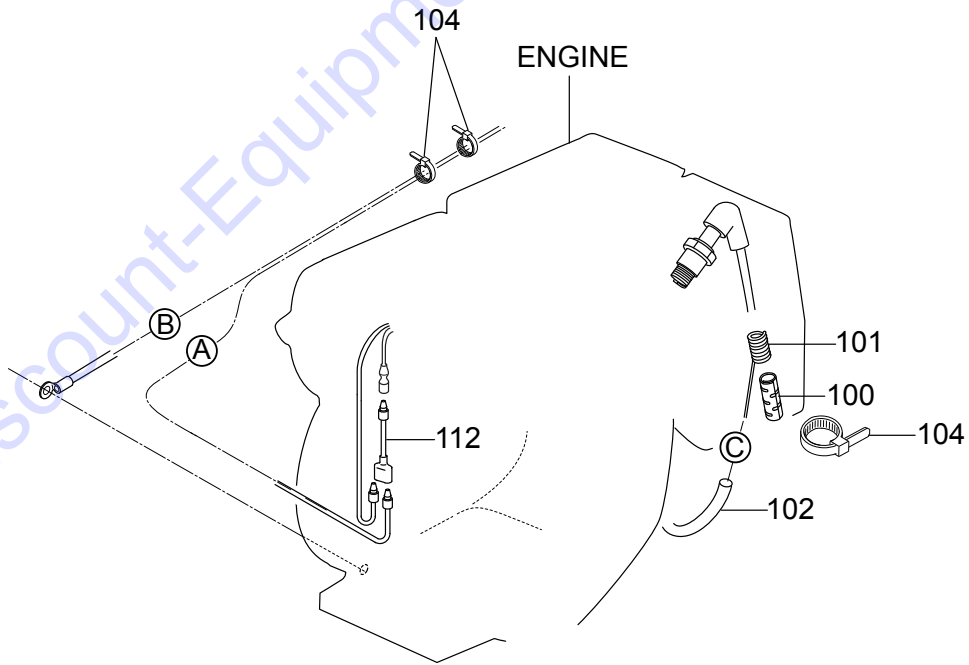
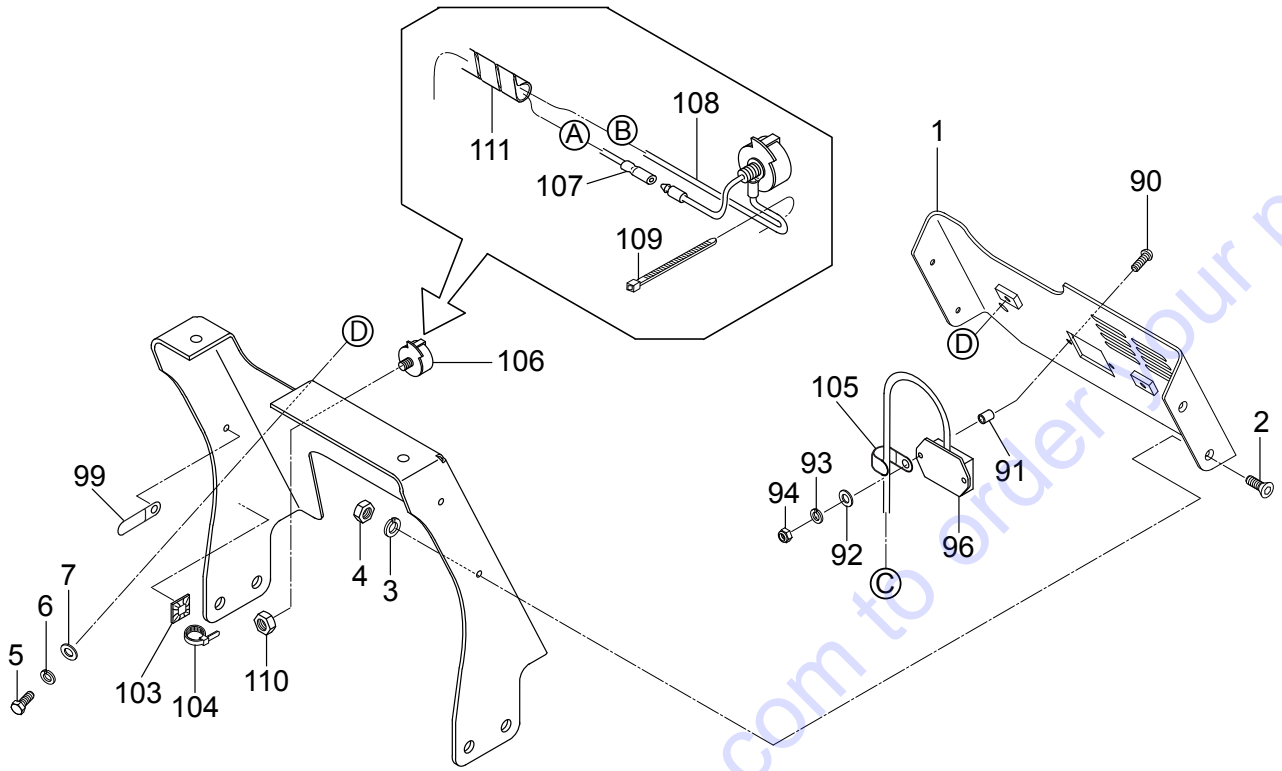
BASE AND ENGINE ASSY. (CONTINUED)



BASE AND ENGINE ASSY. (CONTINUED)

<u>NO.</u>	<u>PART NO.</u>	<u>PART NAME</u>	<u>QTY.</u>	<u>REMARKS</u>
51	471470130	RUBBER COVER,UPPER	1	
52	471470110	STOPPER, COVER	1	
53	009120424	SOCKET HEAD BOLT 6X25	2	
54	617465130	COLLAR 6.2X7.8X4.5	2	
55	030206150	WASHER, LOCK M6	2	
56	022710607	NYLON NUT M6	2	
65	402010110	COIL SPRING.....	1	REPLACES P/N 0830000010
66	58151	WASHER, FLAT M5.....	1	REPLACES P/N 031105080
67	2067550101	CLAMP COMPLETE	1	
69	959407260	CLIP D6	1	
70	012210015	BOLT 10X15.....	1	REPLACES P/N 001221015
71	030210250	WASHER, LOCK M10	1	

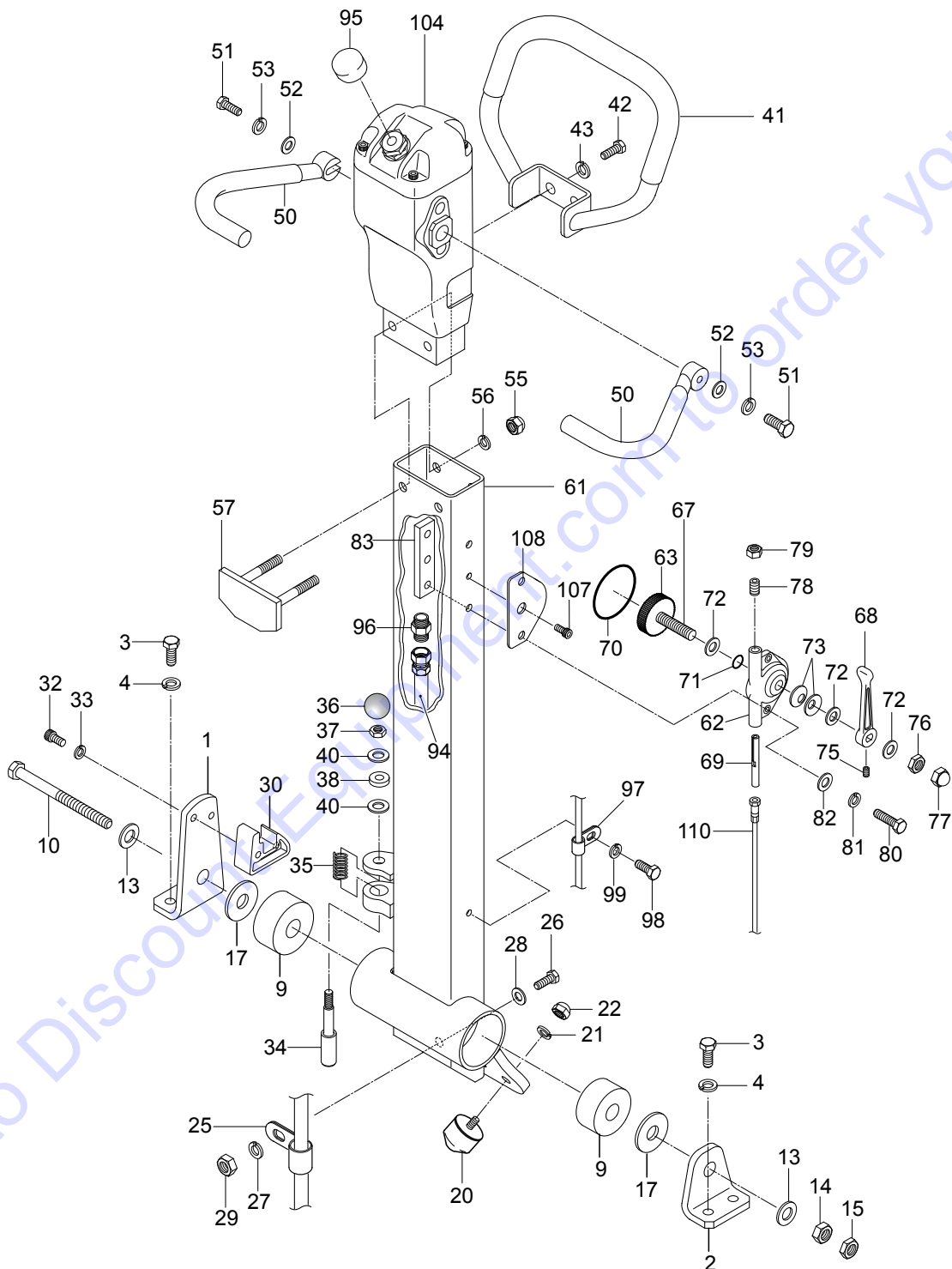
ELECTRICAL DEVICE ASSY.



ELECTRICAL DEVICE ASSY.

<u>NO.</u>	<u>PART NO.</u>	<u>PART NAME</u>	<u>QTY.</u>	<u>REMARKS</u>
1	471354650	REAR COVER	1	
2	009120414	SUNK HEAD BOLT 6X20	4	
3	030206150	WASHER, LOCK M6	4	
4	020106050	NUT M6.....	4.....	REPLACES P/N 020306050
5	001220612	BOLT 6X12	2	
6	030206150	WASHER, LOCK M6	2	
7	952404470	WASHER, FLAT M6.....	2.....	REPLACES P/N 031106100
90	009110072	PAN HEAD SCREW 5X35	2	
91	952407930	COLLAR 6X10X13.5	2	
92	58151	WASHER, FLAT M5.....	2.....	REPLACES P/N 031105080
93	030205130	WASHER, LOCK M5	2	
94	022710506	NYLON NUT M5	2	
96	955010311	TACH./HOUR METER	1	
99	2267510103	CLAMP	1	
100	955010307	CLIP BELT	1	
101	980010540	CURL CORD	1	
102	959026823	RUBBER TUBE D4.5-280	1	
103	955407970	WIRING FIXED BASE	4	
104	506010070	CLAMP TC-150	5	
105	2067550101	CLAMP COMPLETE	1	
106	955301010	STOP SWITCH, ENGINE	1	
107	468467570	READ CORD	1	
108	467466980	LEAD WIRE (SW-GROUND)	1	
109	454010020	CLAMP TC-100	1	
110	020108060	NUT M8.....	1.....	REPLACES P/N 020308060
111	959021827	SPIRAL TUBE 6D-950L	1	
112	515450380	WIRE HARNESS	1	

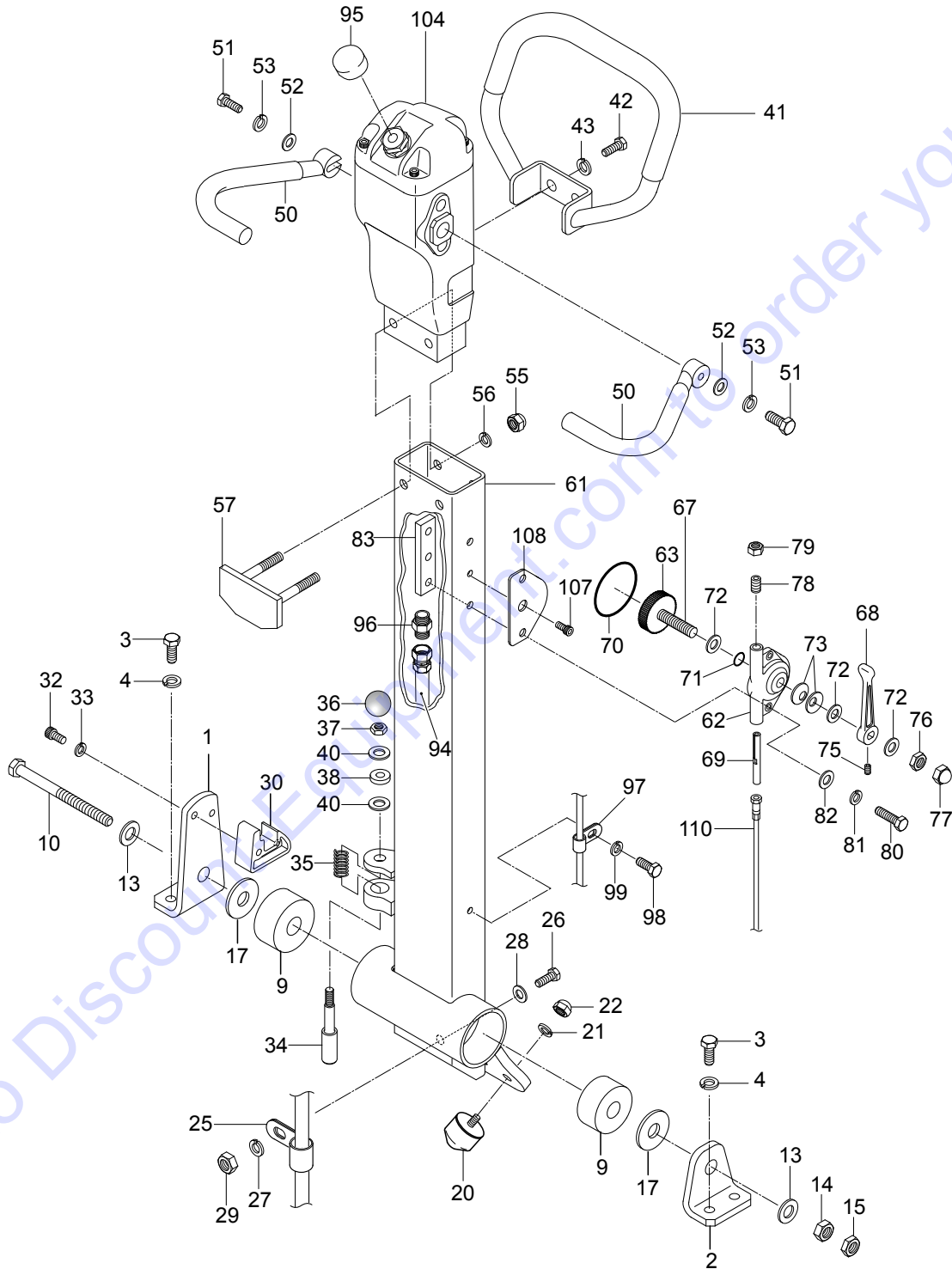
CONTROL ASSY.



CONTROL ASSY.

<u>NO.</u>	<u>PART NO.</u>	<u>PART NAME</u>	<u>QTY.</u>	<u>REMARKS</u>
1	471354640	HANDLE BRACKET (R)	1	
2	459338030	HANDLE BRACKET (L)	1	
3	012012030	BOLT 12X30.....	4	REPLACES P/N 001221230
4	030212300	WASHER, LOCK M12	4	
9	470468900	CUSHION RUBBER 16X50X30	2	
10	001221680	BOLT 16X200	1	
13	0401450160	WASHER, FLAT M16.....	2	REPLACES P/N 031116260
14	020316130	NUT M16	1	
15	020416100	NUT M16	1	
17	952409690	WASHER 17X45X4.5	2	
20	939010490	STOPPER RUBBER	2	
21	030208200	WASHER, LOCK M8	2	
22	022130806	CAP NUT M8	2	
25	959408930	CLIP 15 (M6)	1	
26	011606025	BOLT 6X25.....	1	REPLACES P/N 001220625
27	030206150	WASHER, LOCK M6	1	
28	952404470	WASHER, FLAT M6.....	1	REPLACES P/N 031106100
29	020106050	NUT M6.....	1	REPLACES P/N 020306050
30	471354710	HANDLE ROCK STOPPER	1	
32	014208025	SOCKET HEAD BOLT 8X25.....	2	REPLACES P/N 001520825
33	030208200	WASHER, LOCK M8	2	
34	471470170	STOPPER, HANDLE	1	
35	471470180	SPRING, STOPPER	1	
36	959409700	BALL GRIP	1	
37	020310080	NUT M10.....	1	REPLACES P/N 020410060
38	456449980	RUBBER PACKING	1	
40	031110160	WASHER, FLAT M10	2	
41	458214409	HANDLE GRIP (EXP)	1	
42	014208020	BOLT 8X20.....	2	REPLACES P/N 001220820
43	030208200	WASHER, LOCK M8	2	
50	471354800	LEVER, TRAVEL (LOOP)	2	

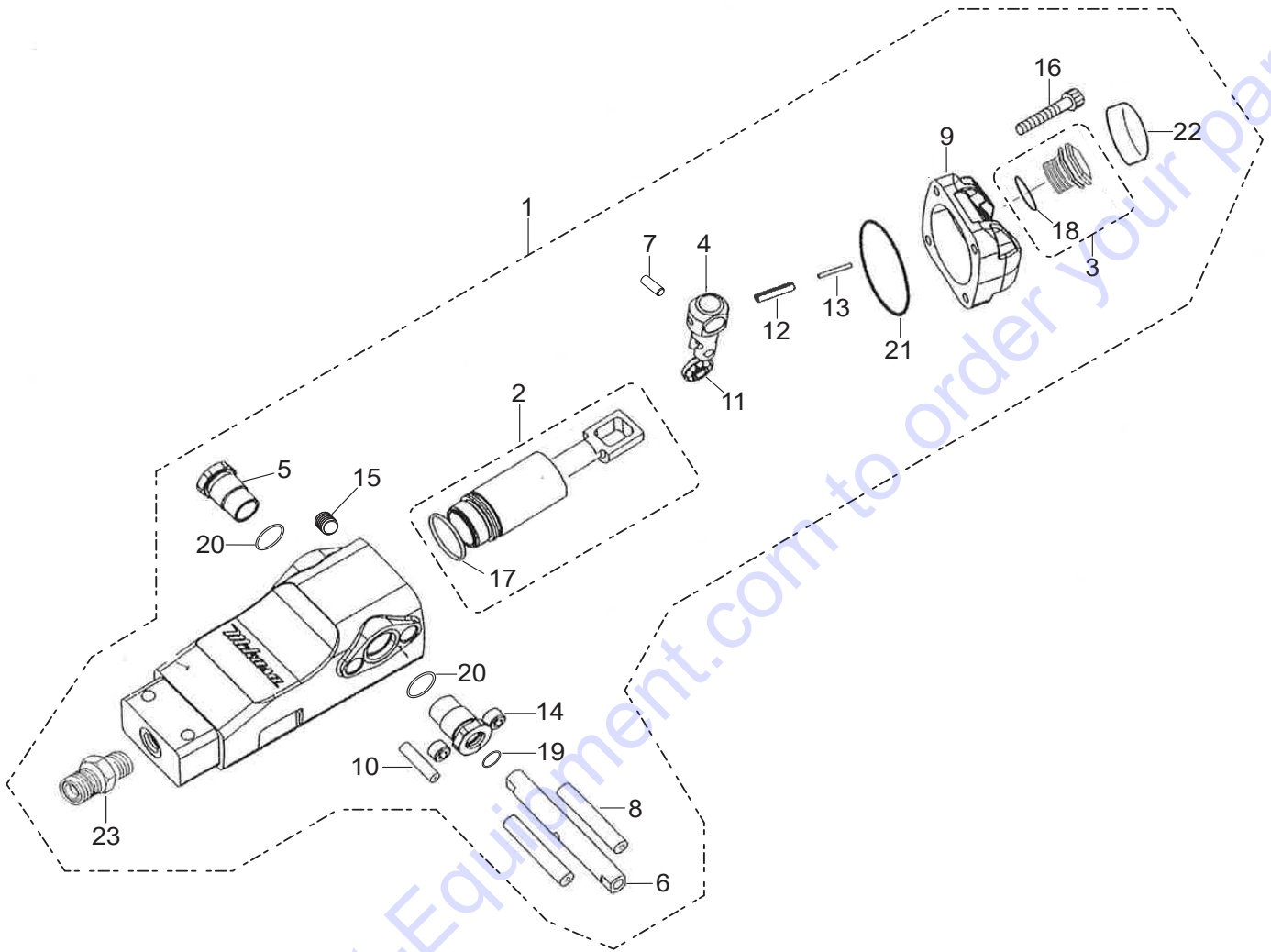
CONTROL ASSY. (CONTINUED)



CONTROL ASSY. (CONTINUED)

<u>NO.</u>	<u>PART NO.</u>	<u>PART NAME</u>	<u>QTY.</u>	<u>REMARKS</u>
51	011208030	BOLT 8X30	2.....	REPLACES P/N 001220830
52	0401450080	WASHER, FLAT M8	2.....	REPLACES P/N 031108160
53	030208200	WASHER, LOCK M8	2	
55	022710809	NYLON NUT M8	2	
56	030208200	WASHER, LOCK M8	2	
57	458337480	PUMP HOLDER	1	
61	471122170	HANDLE BAR	1	
62	362341550	THROTTLE BODY	1	
63	362456521	THROTTLE GEAR	1	
67	362456531	THROTTLE BOLT	1	
68	362456530	THROTTLE LEVER	1	
69	362455620	SLIDER	1	
70	050100450	O-RING	1	
71	050200100	O-RING	1	
72	031110160	WASHER, FLAT M10	3	
73	032110180	CONICAL WASHER. LOCK M10	2	
75	096206006	SOCKET HEAD SCREW 6X6	1	
76	020310080	NUT M10.....	1.....	REPLACES P/N 020410060
77	022131008	CAP NUT M10	1	
78	014208020	SOCKET HEAD SCREW 8X20	1.....	REPLACES P/N 096208020
79	020408050	NUT M8	2	
80	011606025	BOLT 6X25.....	2.....	REPLACES P/N 001220625
81	030206150	WASHER, LOCK M6	2	
82	952404470	WASHER, FLAT M6.....	2.....	REPLACES P/N 031106100
83	463455960	THROTTLE NUT	1	
94	954002850	OIL HOSE 985L	1	
95	458451630	BREATHER CAP	1	
96	954003150	MALE CONNECTOR, O-RING 1/4	1	
97	2067550101	CLAMP COMPLETE	1	
98	0105050616	BOLT 6X15.....	1.....	REPLACES P/N 001220615
99	030206150	WASHER, LOCK M6	1	
104	459219610	HAND PUMP	1	
107	H5HB051000	SOCKET HEAD BOLT 5X10.....	1.....	REPLACES P/N 001520510
108	463455950	SPACER, THROTTLE	1	
110	956100076	THROTTLE WIRE 1235-1335G	1	

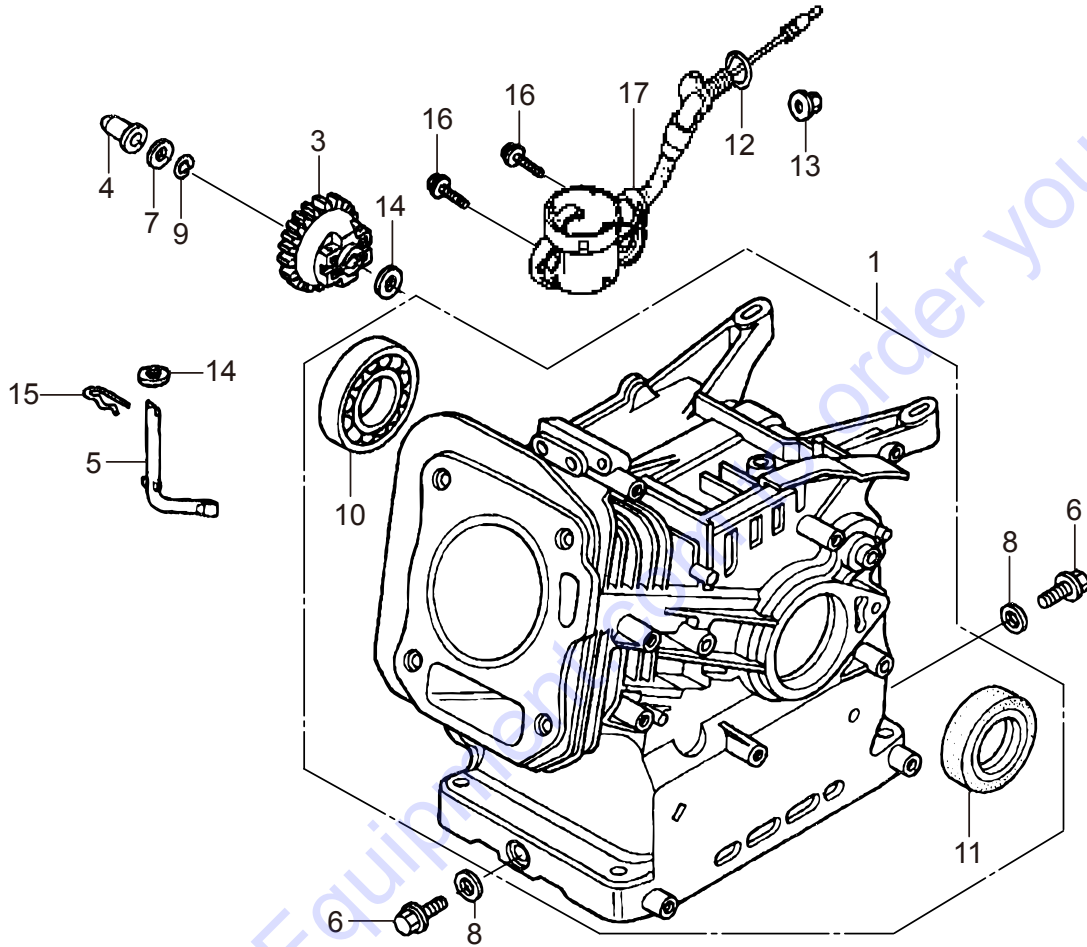
HYDRAULIC HAND PUMP ASSY.



HYDRAULIC HAND PUMP ASSY.

<u>NO.</u>	<u>PART NO.</u>	<u>PART NAME</u>	<u>QTY.</u>	<u>REMARKS</u>
1	459219610	HAND PUMP	1	INCLUDES ITEMS W/#
2#	459910100	CYLINDER SPOOL	1	INCLUDES ITEMS W/\$
3#	470910010	BREATHER ASSY.....	1	INCLUDES ITEMS W/%
4#	459469370	CONTROL ARM	1	
5#	459469380	BUSHING	2	
6#	459469390	CONTROL SHAFT	1	
7#	470468940	PIN, 7X18	1	
8#	459469410	STOPPER, 11X65 PIN	2	
9#	459219620	COVER, HAND PUMP	1	
10#	459469420	PIN, 8X68	1	
11#	040300627	BEARING 627/MC3	1	
12#	025406028	PIN, 6X28 SPRING	1	
13#	025403528	PIN 3, 5X28 SPRING	1	
14#	16185	PLUG, 1/4"NPT	2	REPLACES P/N 505015380
15#	506010160	PLUG, 1/8 SOCKET HEAD	1	
16#	001520625	BOLT, 6X25 SOCKET HEAD	4	
17#	050300340	O-RING, S-34	1	
18#	050200180	O-RING, P-18	1	
19#	050210150	O-RING, P-15-1B	2	
20#	050200200	O-RING, P-20	2	
21#	050300670	O-RING, S-67	1	
22#	458451630	CAP, BREATHER	1	
23#	954003150	MALE CONNCTOR W/ O-RING 1/4	1	

HONDA GX200UT2SM14/SCM ENG. — CYL. BARREL ASSY.



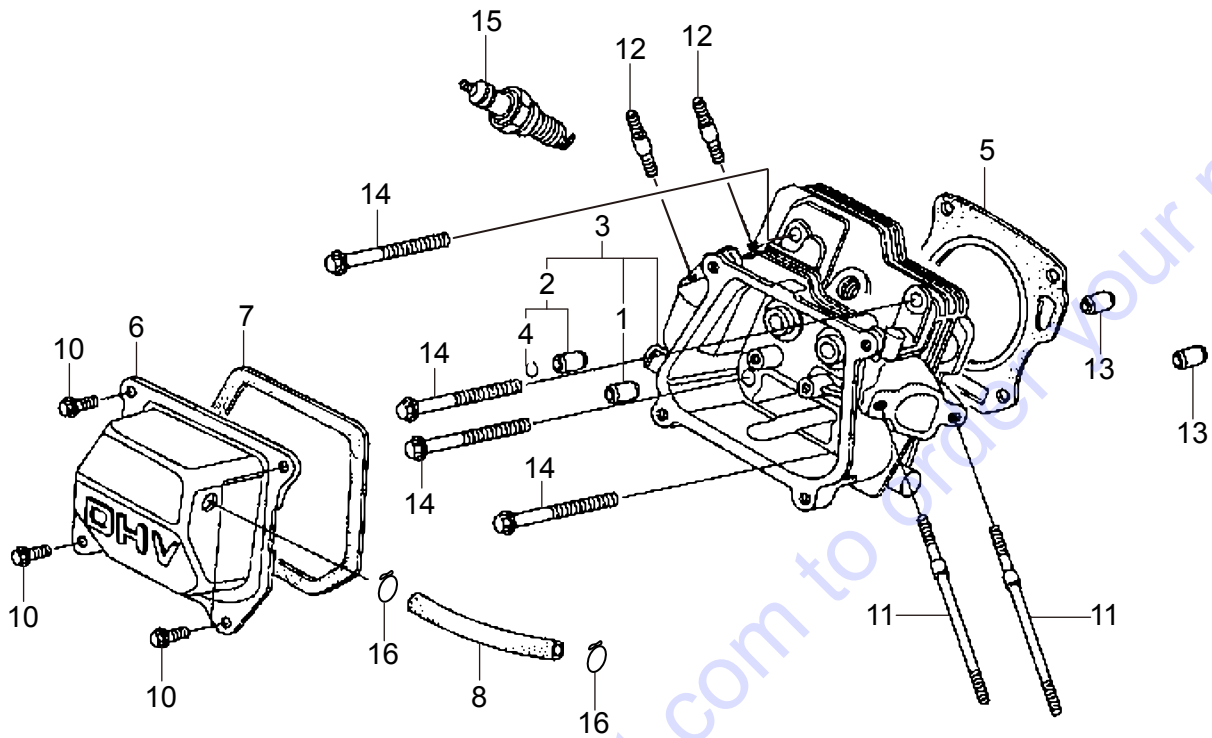
HONDA GX200UT2SM14/SCM ENG. — CYL. BARREL ASSY.

NO.	PART NO.	PART NAME	QTY.	REMARKS
1◆	12000Z4V406	BARREL ASSEMBLY, CYLINDER.....	1.....	INCLUDES ITEMS W/\$
1◇	12000Z4V426	BARREL ASSEMBLY, CYLINDER.....	1.....	INCLUDES ITEMS W/#
3	16506ZL0000	GOVERNOR ASSEMBLY	1	
4	16531ZE1000	SLIDER, GOVERNOR	1	
5	16541ZE1000	SHAFT, GOVERNOR ARM	1	
6	90131ZE1000	BOLT, DRAIN PLUG	2	
7	90451ZE1000	THRUST WASHER 6 MM	1	
8	90601ZE1000	WASHER, DRAIN PLUG	2	
9	90602ZE1000	CLIP, GOVERNOR HOLDER	1	
10\$#	91001ZF1003	BALL BEARING	1	
11\$#	91201Z0T801	OIL SEAL 25X41X6	1	
12	91353671003	O-RING 14 MM.....	1.....	REPLACES P/N 91353671004
13	9405010000	FLANGE NUT M10	1	
14	58176	WASHER, FLAT 6 MM.....	2.....	REPLACES P/N 9410106800
15	9425108000	LOCK PIN 8 MM	1	
16	957010601200	FLANGE BOLT 6X12	2	
17	35480Z0T003	SWITCH ASSEMBLY, OIL LEVEL	1	

NOTICE

- ◆ GX200UT2SM14
- ◇ GX200UT2SCM

HONDA GX200UT2SM14/SCM ENG. — CYL. HEAD ASSY.



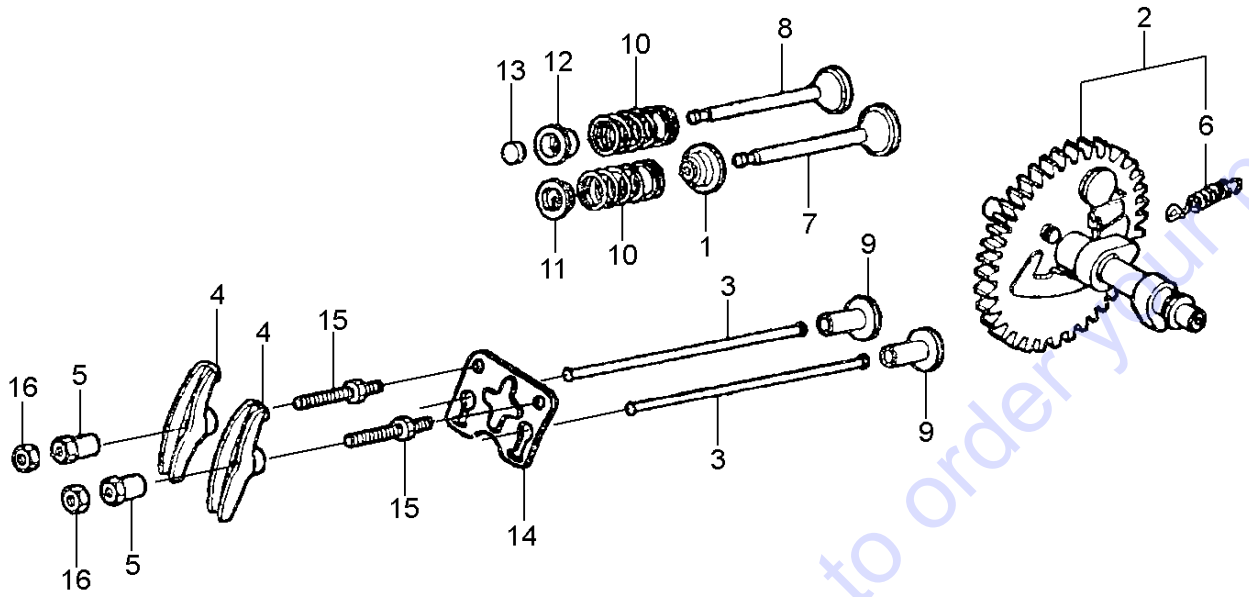
HONDA GX200UT2SM14/SCM ENG. — CYL. HEAD ASSY.

NO.	PART NO.	PART NAME	QTY.	REMARKS
1#	12204ZE1306	GUIDE, INLET VALVE (O.S.)	1	
2#	12205ZE1315	GUIDE, EXHAUST VALVE (O.S.).....	1	INCLUDES ITEMS W/%
3	12210ZL0415	HEAD COMPLETE, CYLINDER.....	1	INCLUDES ITEMS W/#
4%	12216ZE5300	CLIP, VALVE GUIDE	1	
5	12251ZL0003	GASKET, CYLINDER HEAD	1	
6◆	12310Z4M000	COVER COMPLETE, HEAD	1	
6◇	12310Z4M840	COVER COMPLETE, HEAD	1	
7	12391ZE1000	PACKING, HEAD COVER	1	
8◆	15721ZH8000	TUBE, BREATHER	1	
8◇	15721ZE1840	TUBE, BREATHER	1	
10	90013883000	FLANGE BOLT 6X12	4	
11	90043ZE1020	STUD BOLT 6X112	2	
12	90047ZE1000	STUD BOLT 8X32	2	
13	9430110160	KNOCK PIN 10X16	2	
14	957010806000	BOLT, FLANGE 8X60	4	
15	0650140480	SPARK PLUG	1	
16	9500280000	CLIP, TUBE	2	

NOTICE

- ◆ GX200UT2SM14
- ◇ GX200UT2SCM

HONDA GX200UT2SM14/SCM ENG. — CAMSHAFT ASSY.



Go to Discount-Equipment.com to order your parts

HONDA GX200UT2SM14/SCM ENG. — CAMSHAFT ASSY.

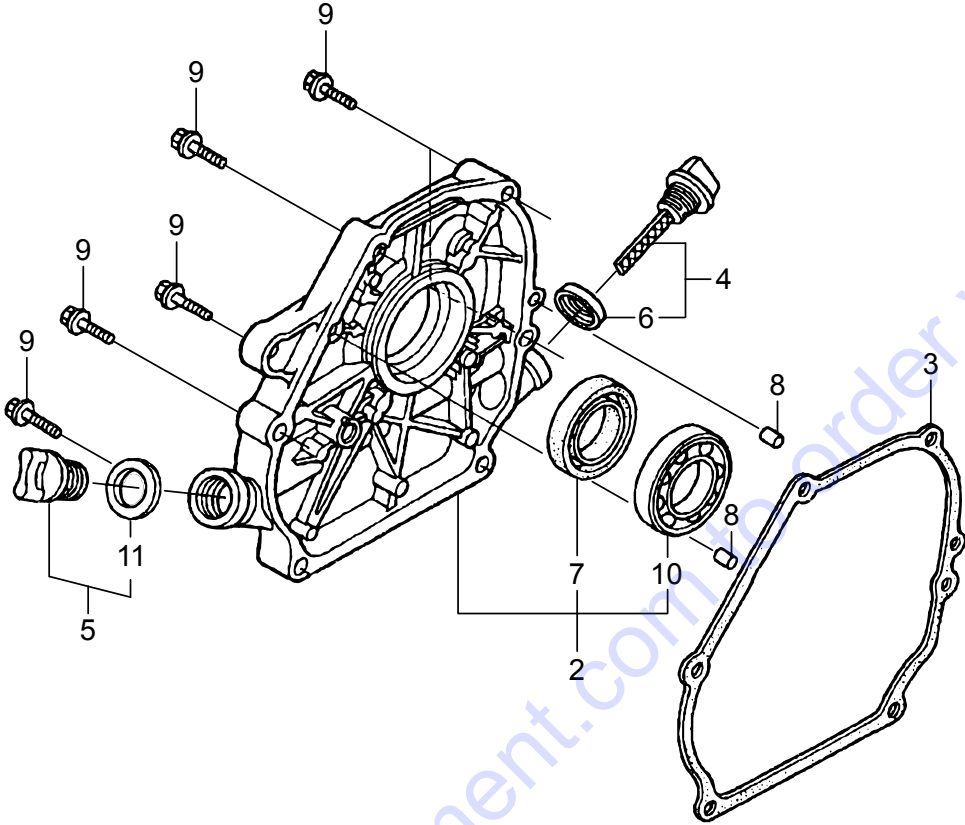
NO.	PART NO.	PART NAME	QTY.	REMARKS
1	12209Z4M801	SEAL, VALVE STEM	1	
2	14100ZL0000	CAM SHAFT ASSEMBLY	1	INCLUDES ITEMS W/\$
3	14410ZE1010	PUSH ROD	2	
4	14431ZE1000	ARM, VALVE ROCKER	2	
5◆	14451ZE1013	PIVOT, ROCKER ARM	2	
5◇	14451Z4M000	PIVOT, ROCKER ARM	2	
6\$	14568ZE1000	SPRING, WEIGHT RETURN	1	
7◆	14711ZF1000	INLET VALVE	1	
7◇	14711Z4V900	INLET VALVE	1	
8◆	14721ZF1000	EXHAUST VALVE	1	
8◇	14721Z4V900	EXHAUST VALVE	1	
9	14731ZL0000	LIFTER, VALVE	2	
10	14751ZF1000	SPRING, VALVE	2	
11◆	14771ZE1000	RETAINER, INTAKE VALVE SPRING	1	
11◇	14771Z0T900	RETAINER, INTAKE VALVE SPRING	1	
12◆	14773Z4X000	RETAINER, EX. VALVE SPRING	1	
12◇	14771Z0T900	RETAINER, EX. VALVE SPRING	1	
13◆	14781ZE1000	ROTATOR, VALVE	1	
14	14791ZE1010	PLATE, PUSH ROD GUIDE	1	
15	90012ZE0010	BOLT, PIVOT, 8 MM	2	
16	90206ZE1000	NUT, PIVOT ADJUSTING	2	

NOTICE

◆ GX200UT2SM14

◇ GX200UT2SCM

HONDA GX200UT2SM14/SCM ENG. — CRANKCASE COVER ASSY.

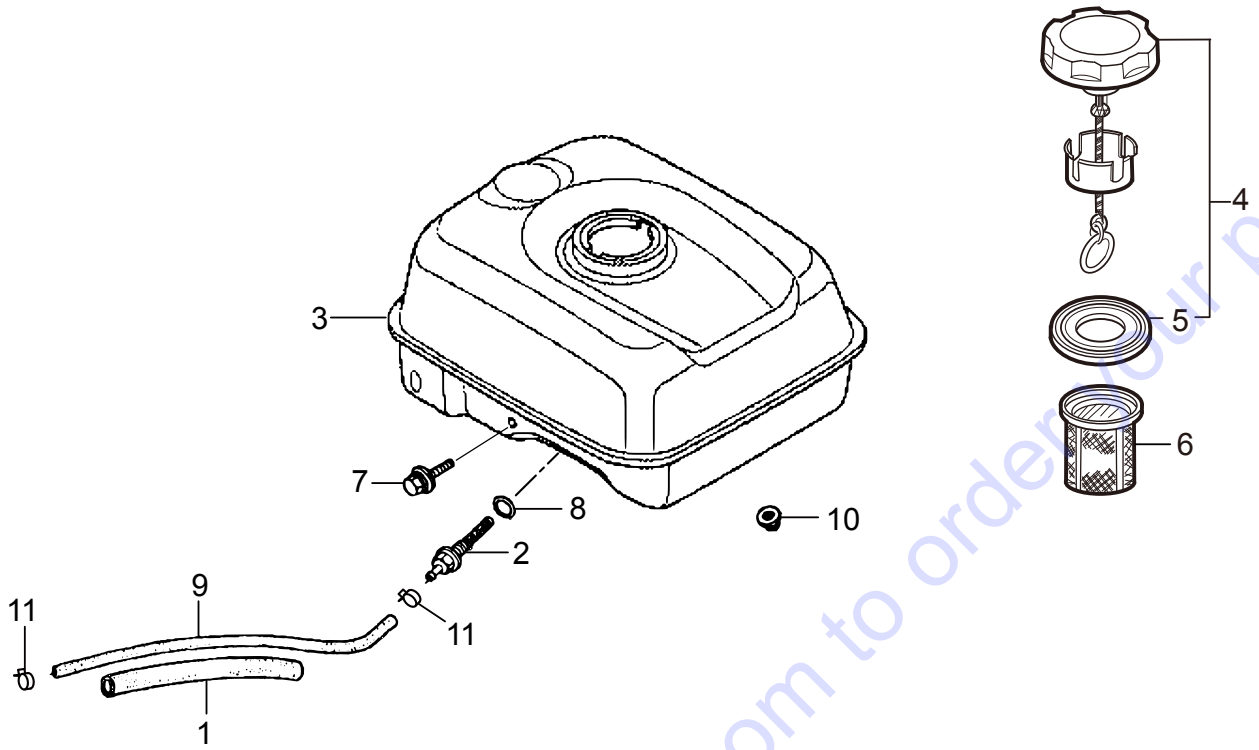


HONDA GX200UT2SM14/SCM ENG. — CRANKCASE COVER ASSY.

<u>NO.</u>	<u>PART NO.</u>	<u>PART NAME</u>	<u>QTY.</u>	<u>REMARKS</u>
2	11300Z4M000	COVER ASSEMBLY	1.....	INCLUDES ITEMS W/%
3	11381ZH8801	GASKET CRANK CASE	1	
4	15600Z0T810	CAP ASSEMBLY OIL FILLER.....	1.....	INCLUDES ITEM W/@
5	15600Z0T820	CAP ASSEMBLY OIL FILLER.....	1.....	INCLUDES ITEM W/#
6@	15625Z0T800	PACKING, OIL FILLER CAP	1	
7%	91201Z0T801	OIL SEAL 25X41X6	1	
8	9430108140	KNOCK PIN 8X14	2	
9	957010803200	FLANGE BOLT 8X32	6	
10%	961006205010	BALL BEARING 6205	1.....	REPLACES P/N 961006205000
11#	15625Z0T800	PACKING, OIL FILLER CAP	1	

Go to Discount-Equipment.com to order your parts

HONDA GX200UT2SM14/SCM ENG. — FUEL TANK ASSY.



Go to Discount-Equipment.com to order your parts

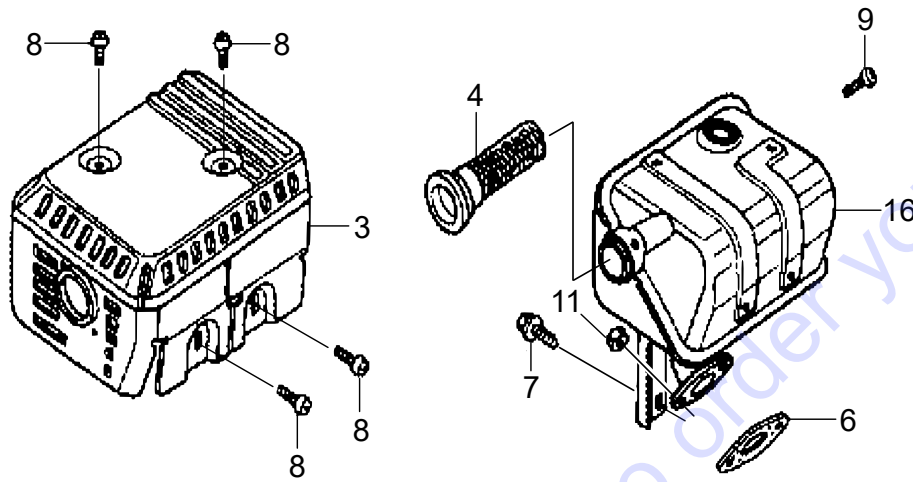
HONDA GX200UT2SM14/SCM ENG. — FUEL TANK ASSY.

NO.	PART NO.	PART NAME	QTY.	REMARKS
1	16854ZH8000	RUBBER, SUPPORT (107 MM)	1	
2	16955ZE1010	JOINT, FUEL TANK	1	
3	17510Z4M000ZB	TANK COMPLETE, FUEL, BLK.	1	
4◆	17620Z4H030	CAP, FUEL TANK COMPLETE	1	INCLUDES ITEMS W/# REPLACES P/N 17620Z4H020
4◇	17620Z4H900	CAP, FUEL TANK COMPLETE	1	INCLUDES ITEMS W/%
5#%	17631Z0T801	PACKING, FUEL TANK CAP	1	
6	17672Z4H000	FILTER, FUEL	1	
7	90004ZL0003	FLANGE BOLT 6X34	1	
8	91353671003	O-RING 14 MM	1	REPLACES P/N 91353671004
9	91424Z4M003	TUBE, FUEL 4.5X145	1	
10	9405006000	FLANGE NUT 6 MM	2	
11	950024080008	CLAMP, TUBE (D8)	2	

NOTICE

- ◆ GX200UT2SM14
- ◇ GX200UT2SCM

HONDA GX200UT2SM14/SCM ENG. — MUFFLER ASSY.



Go to Discount-Equipment.com to order your parts

HONDA GX200UT2SM14/SCM ENG. — MUFFLER ASSY.

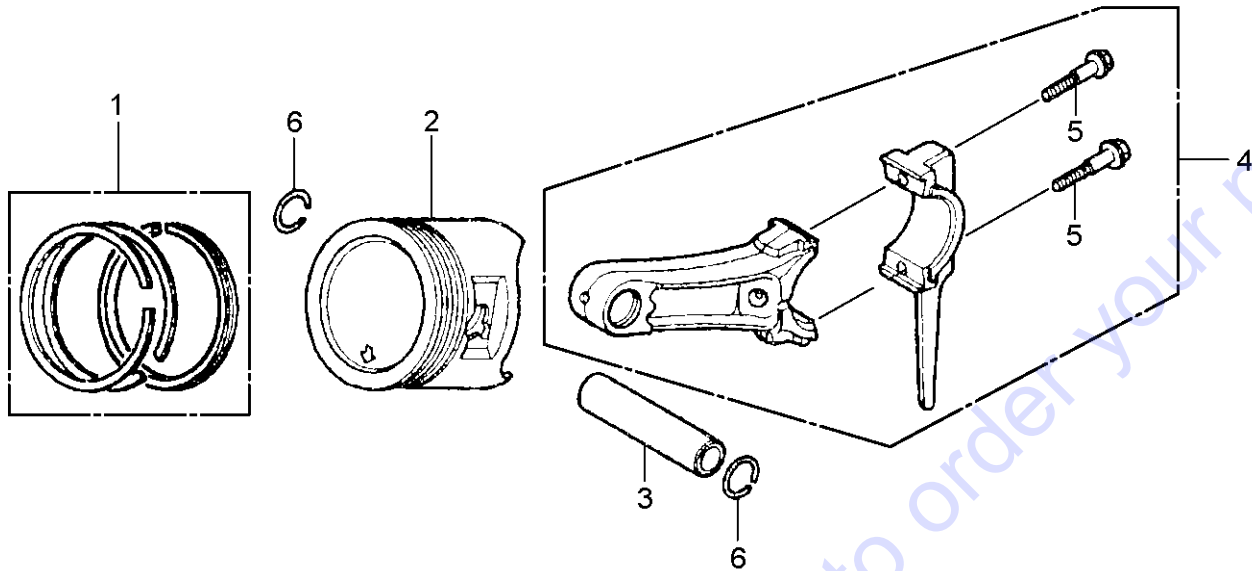
NO.	PART NO.	PART NAME	QTY.	REMARKS
3	18320Z4V000	PROTECTOR COMPLETE, MUFFLER	1	
4	18355ZL0000	ARRESTER, SPARK	1	
6	18381Z0T801	GASKET, MUFFLER	1	
7	90016ZE1000	FLANGE BOLT 6X13	1	
8	90050ZE1000	TAPPING SCREW 5X8	4	
9	90055ZE1000	TAPPING SCREW 4X6	1	
11	020108060	NUT 8 MM.....	2.....	REPLACES P/N 94001080000S
16◆	18310Z4V000	MUFFLER COMPLETE	1	
16◇	18310Z4V010	MUFFLER COMPLETE	1	

NOTICE

- ◆ GX200UT2SM14
- ◇ GX200UT2SCM

Go to Discount-Equipment.com to order your parts

HONDA GX200UT2SM14/SCM ENG. — PISTON ASSY.



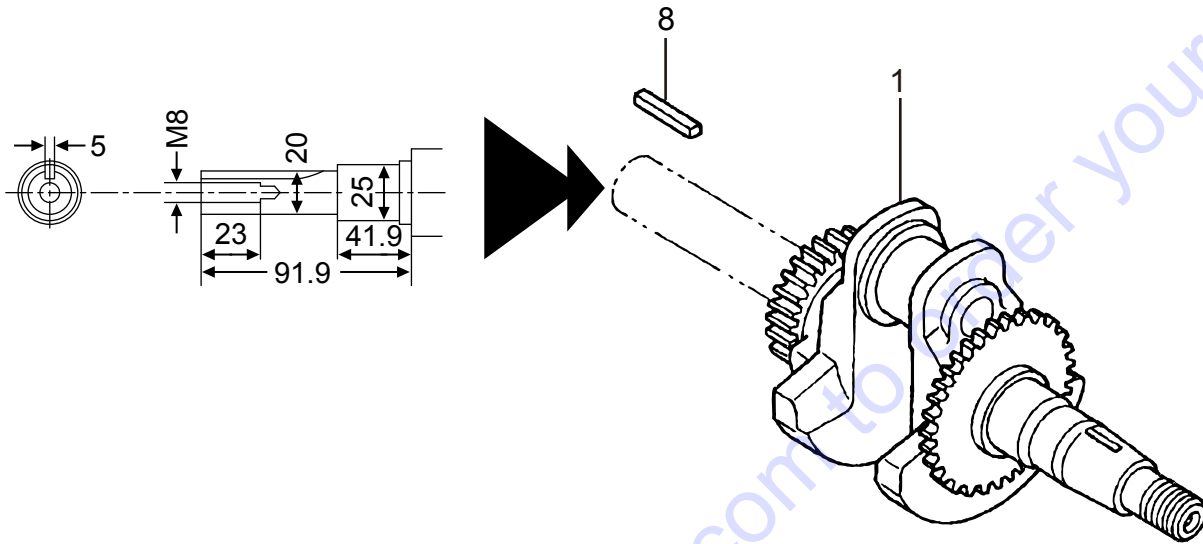
Go to Discount-Equipment.com to order your parts

HONDA GX200UT2SM14/SCM ENG. — PISTON ASSY.

<u>NO.</u>	<u>PART NO.</u>	<u>PART NAME</u>	<u>QTY.</u>	<u>REMARKS</u>
1	13010Z4K004	RING SET, PISTON (STD)	1	
1	13011Z4K004	RING SET, PISTON (0.25)	1	
1	13012Z4K004	RING SET, PISTON (0.50)	1	
1	13013Z4K004	RING SET, PISTON (0.75)	1	
2	13101Z4V800	PISTON STD	1	
2	13102ZL0020	PISTON (0.25)	1	
2	13103ZL0020	PISTON (0.50)	1	
2	13104ZL0020	PISTON (0.75)	1	
3	13111Z4M000	PIN, PISTON	1	
4	13200Z0T800	ROD ASSEMBLY, CONNECTING	1.....	INCLUDES ITEM W/@
5@	90001ZE1000	CONNECTING ROD BOLT	2	
6	90551ZE1000	CLIP, PISTON PIN 18 MM	2	

Go to Discount-Equipment.com to order your parts

HONDA GX200UT2SM14/SCM ENG. — CRANKSHAFT ASSY.



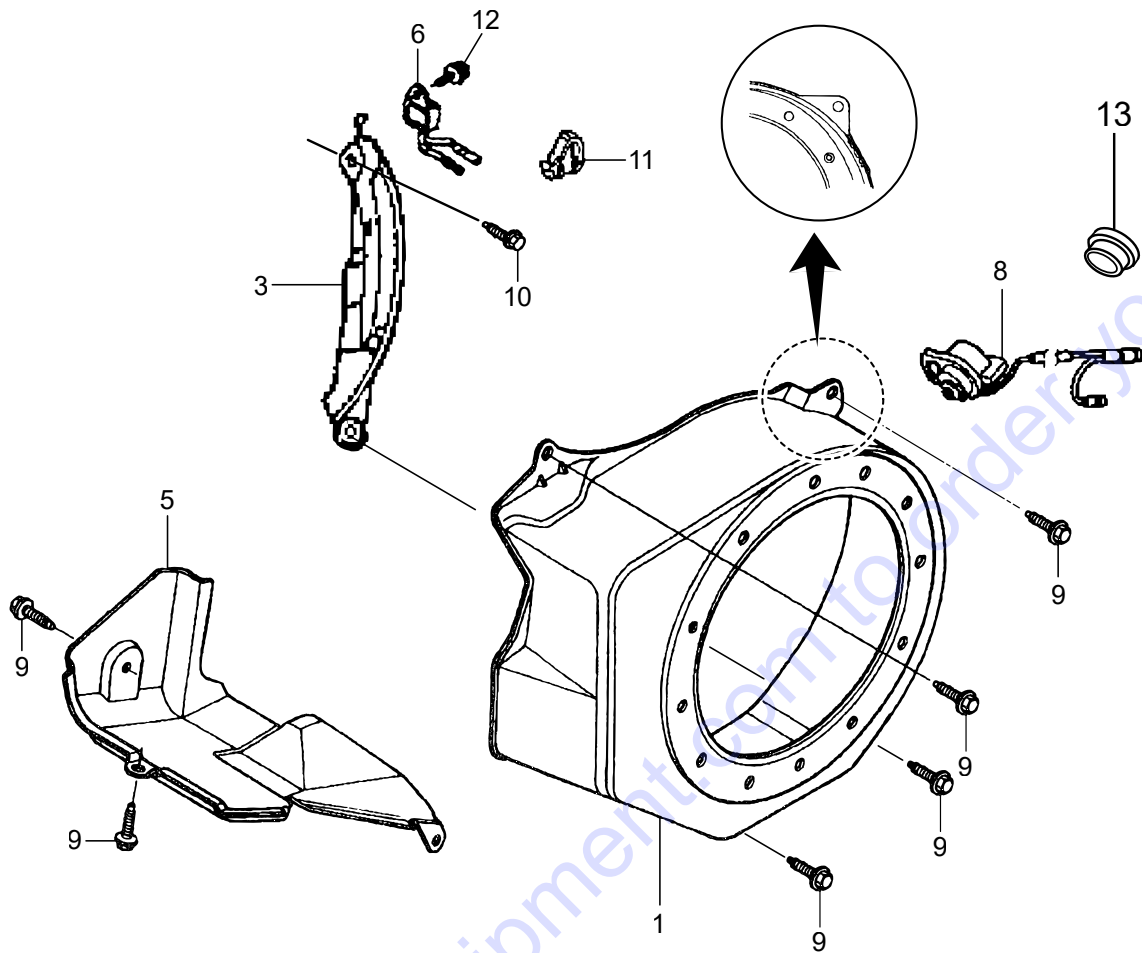
Go to Discount-Equipment.com to order your parts

HONDA GX200UT2SM14/SCM ENG. — CRANKSHAFT ASSY.

<u>NO.</u>	<u>PART NO.</u>	<u>PART NAME</u>	<u>QTY.</u>	<u>REMARKS</u>
1	13310ZL0020	CRANKSHAFT COMPLETE	1	
8	90741883810	KEY 5X5X33	1	

Go to Discount-Equipment.com to order your parts

HONDA GX200UT2SM14/SCM ENG. — FAN COVER ASSY.



HONDA GX200UT2SM14/SCM ENG. — FAN COVER ASSY.

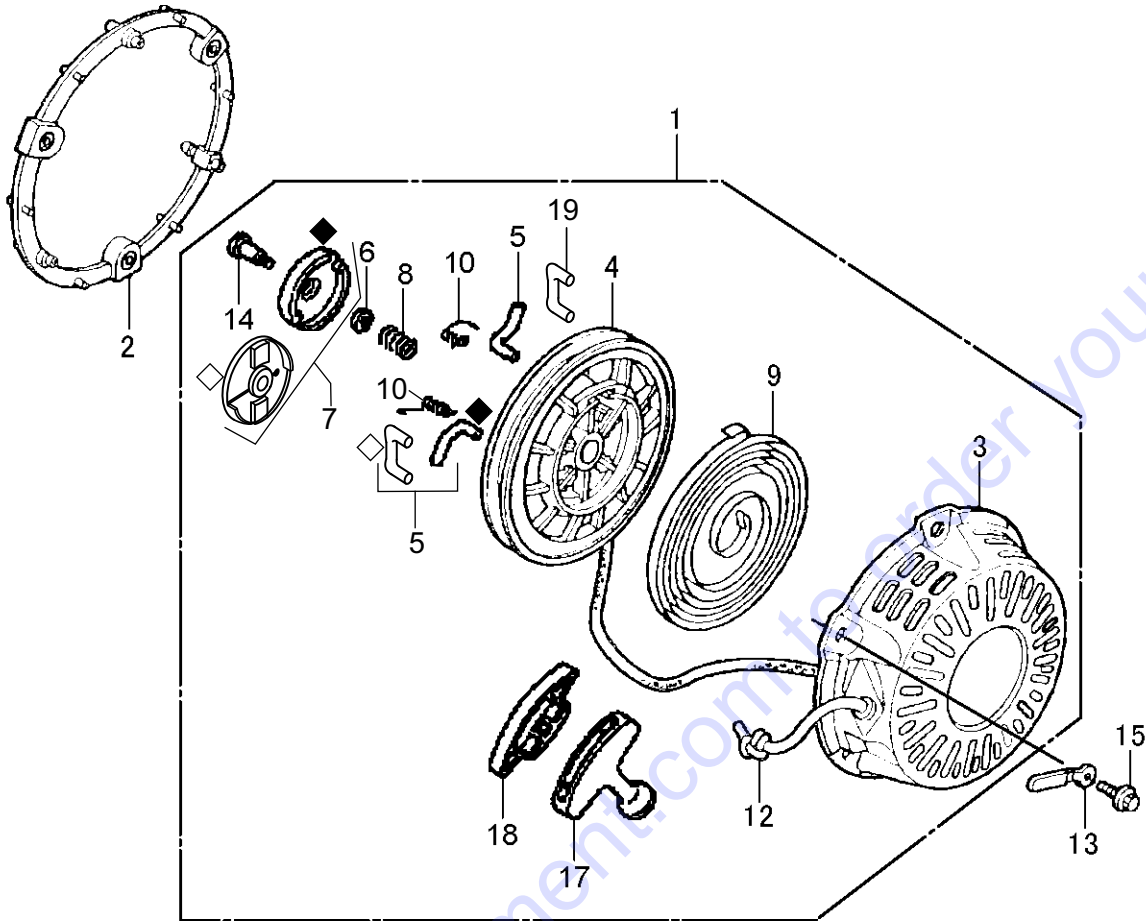
<u>NO.</u>	<u>PART NO.</u>	<u>PART NAME</u>	<u>QTY.</u>	<u>REMARKS</u>
1	19610Z4M000ZB	COVER COMPLETE, FAN	1	
3	19611Z4M810	PLATE COMPLETE, SIDE (OIL ALERT)	1	
5	19630ZH8000	SHROUD COMPLETE	1	
6◆	34150ZH7013	ALERT, UNIT, OIL	1	
6◇	34150ZH7023	ALERT, UNIT, OIL	1	
8◆	35120Z0T851	SWITCH ASSEMBLY, E/G STOP	1	
9	90013883000	FLANGE BOLT 6X12	6	
10	90022888010	FLANGE BOLT 6X20	1	
11	90601ZH7013	CLIP, HARNESS	1	
12	957010600800	FLANGE BOLT 6X8	1	
13◇	81329567020	GROMMET, DRAIN HOLE	1	

NOTICE

◆ GX200UT2SM14

◇ GX200UT2SCM

HONDA GX200UT2SM14/SCM ENG. — RECOIL STARTER ASSY.



- ◆ GX200UT2SM14
- ◇ GX200UT2SCM

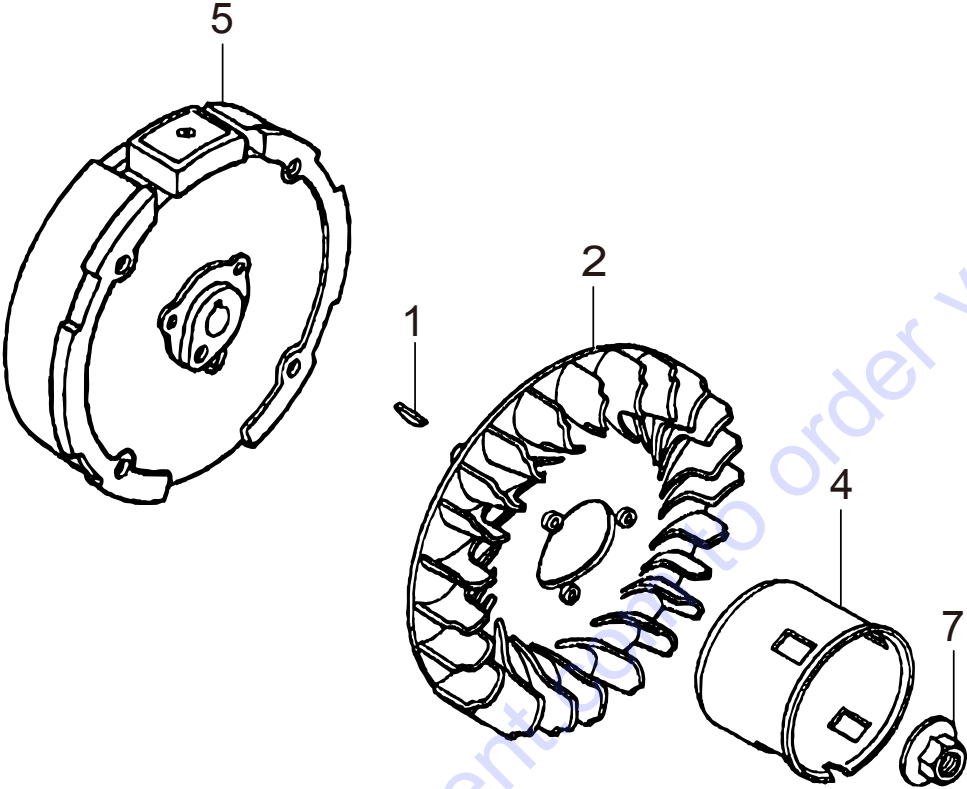
HONDA GX200UT2SM14/SCM ENG. — RECOIL STARTER ASSY.

NO.	PART NO.	PART NAME	QTY.	REMARKS
1◆	28400Z4M305ZD	STARTER ASSEMBLY., RECOIL.....	1.....	INCLUDES ITEMS W/\$
1◇	28400Z4M306ZC	STARTER ASSEMBLY., RECOIL.....	1.....	INCLUDES ITEMS W/#
2	28405ZL0000ZA	SPACER, RECOIL STARTER	1	
3\$#	28410Z4M003ZD	CASE COMPLETE, R-STARTER	1	
4\$	28421Z0T003	REEL, RECOIL STARTER	1	
4#	28421Z1T702	REEL, RECOIL STARTER	1	
5\$	28422ZH8801	RATCHET, STARTER	2	
5#	28422Z1T701	RATCHET, STARTER	2	
6\$	28421ZH8801	REEL, RECOIL STARTER	1	
6#	28431ZH8801	REEL, RECOIL STARTER	1	
7\$	28433ZH8801	RATCHET GUIDE	1	
7#	28433Z1T702	GUIDE, RATCHET	1	
8\$#	28441ZH8801	FRICTION SPRING	1	
9\$#	28442ZH8003	SPRING, RECOIL STARTER	1	
10\$	28443ZH8801	SPRING, RETURN	2	
10#	28443Z1T701	SPRING, RETURN	2	
12\$#	28462ZH8003	ROPE, RECOIL STARTER	1	
13	32901MA1000	CLIP, CORD	1	
14\$#	90003ZH8801	SET SCREW	1	
15	957010601800	FLANGE BOLT 6X18	3	
17\$#	28461Z4M305	KNOB, RECOIL STARTER	1	
18\$#	28463Z4M003	KNOB, REINFORCEMENT	1	

NOTICE

- ◆ GX200UT2SM14
- ◇ GX200UT2SCM

HONDA GX200UT2SM14/SCM ENG. — FLYWHEEL ASSY.



Go to Discount-Equipment.com to order your parts

HONDA GX200UT2SM14/SCM ENG. — FLYWHEEL ASSY.

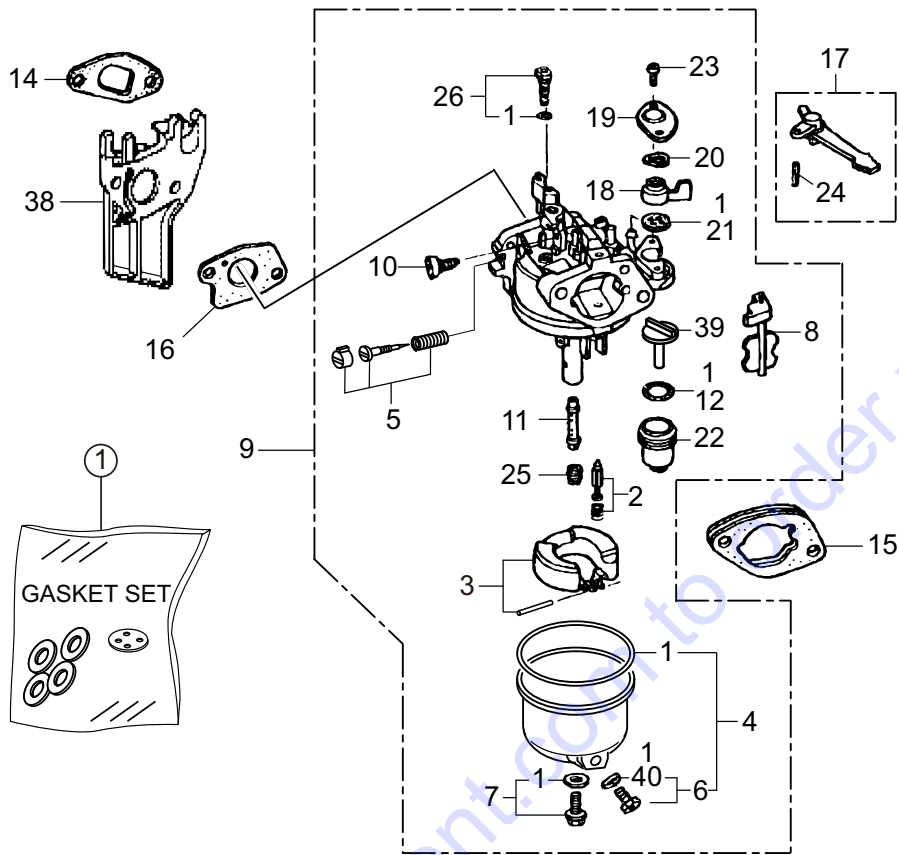
<u>NO.</u>	<u>PART NO.</u>	<u>PART NAME</u>	<u>QTY.</u>	<u>REMARKS</u>
1	13331357000	WOODRUFF KEY 25X18	1	
2	19511ZE1000	COOLING FAN	1	
4◆	28451ZL0801	PULLEY, STARTER	1	
4◇	28451Z4V003	PULLEY, STARTER	1	
5	31100ZE7010	FLYWHEEL COMPLETE (STD.)	1	
7	90201Z0T800	NUT, SPECIAL 14 MM	1	

NOTICE

◆ GX200UT2SM14

◇ GX200UT2SCM

HONDA GX200UT2SM14/SCM ENG. — CARBURETOR ASSY.



NOTICE
 Gasket set, item 1 included with items 4, 6, 7, 12, 21, 26 and 40.

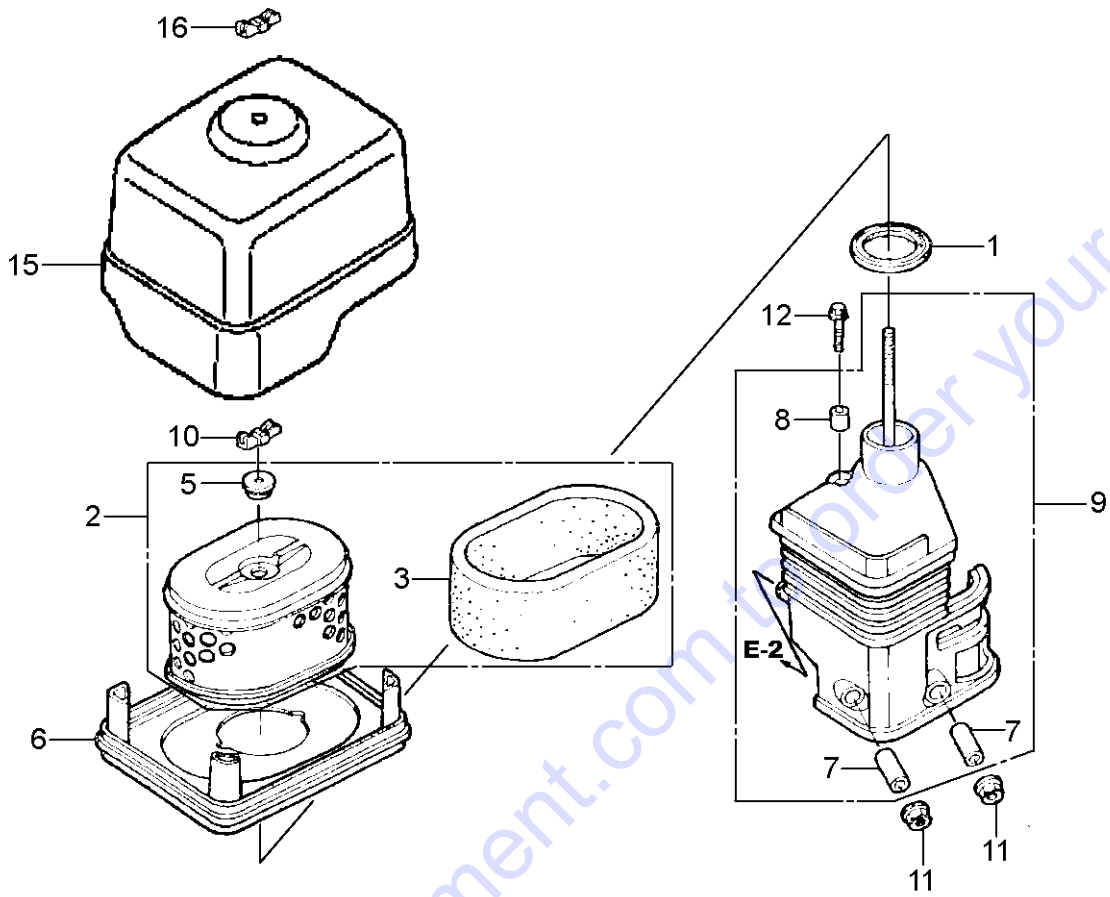
HONDA GX200UT2SM14/SCM ENG. — CARBURETOR ASSY.

NO.	PART NO.	PART NAME	QTY.	REMARKS
1#%●	16010ZE1812	GASKET SET	1	
2#%	16011ZE0005	FLOAT VALVE SET	1	
3#%	16013Z0SB01	FLOAT SET	1	
4#%	16015Z4M911	CHAMBER SET, FLOAT	1	INCLUDES ITEM W/●
5#%	16016ZH7W01	SCREW SET, PILOT	1	
6#%	16024Z5T901	SCREW SET, DRAIN.....	1	INCLUDES ITEM W/●
7#%	16028Z5T901	SCREW SET.....	1	INCLUDES ITEM W/●
8#%	16044Z4M911	CHOKE SET	1	
9	16100Z4V921	CARBURETOR ASSY., BE59L A (◆ ENGINE)..	1	INCLUDES ITEMS W/#
9	16100Z4V781	CARBURETOR ASSY., BEA3K A (◇ ENGINE) .	1	INCLUDES ITEMS W/%
10#	16124ZE0005	SCREW, THROTTLE STOP	1	
11◆#	16166Z4V921	NOZZLE, MAIN	1	
11◇%	16166Z4V781	NOZZLE, MAIN	1	
12#%	16955283000	PACKING, CUP	1	INCLUDES ITEM W/● REPLACES P/N 16173001004
14%	16212ZH8800	PACKING, INSULATOR	1	
15%	16220ZE1020	SPACER COMPLETE, CARBURETOR	1	
16	16221ZH8801	PACKING, CARBURETOR	1	
17	16610ZE1000	CHOKE LEVER COMPLETE.....	1	INCLUDES ITEMS W/\$
18#%	16953ZE1812	LEVER, COCK	1	
19#%	16954ZE1812	PLATE, LEVER SETTING	1	
20#%	16956ZE1811	SPRING, COCK LEVER	1	
21#%	16957ZE1812	PACKING, FUEL COCK.....	1	INCLUDES ITEM W/●
22#%	16967ZE0811	CUP, FUEL STRAINER	1	
23#%	93500030060H	SCREW 3X6	2	REPLACES P/N 93500030061H
24\$	9430520122	SPRING PIN 2X12	1	
25◆#	99101ZH80750	JET, MAIN #75	1	
25◇%	99101ZH80820	JET, MAIN #82	1	
26#	99204ZE20400	JET SET, PILOT #40.....	1	INCLUDES ITEM W/●
38	16211Z4V000	INSULATOR, CARBURETOR	1	
39#	16959Z5T901	FILTER, CUP	1	
40◇%	16141Z0S003	WASHER, FLAT	1	

NOTICE

- ◆ GX200UT2SM14
- ◇ GX200UT2SCM

HONDA GX200UT2SM14 ENG. — AIR CLEANER ASSY. (STD.)

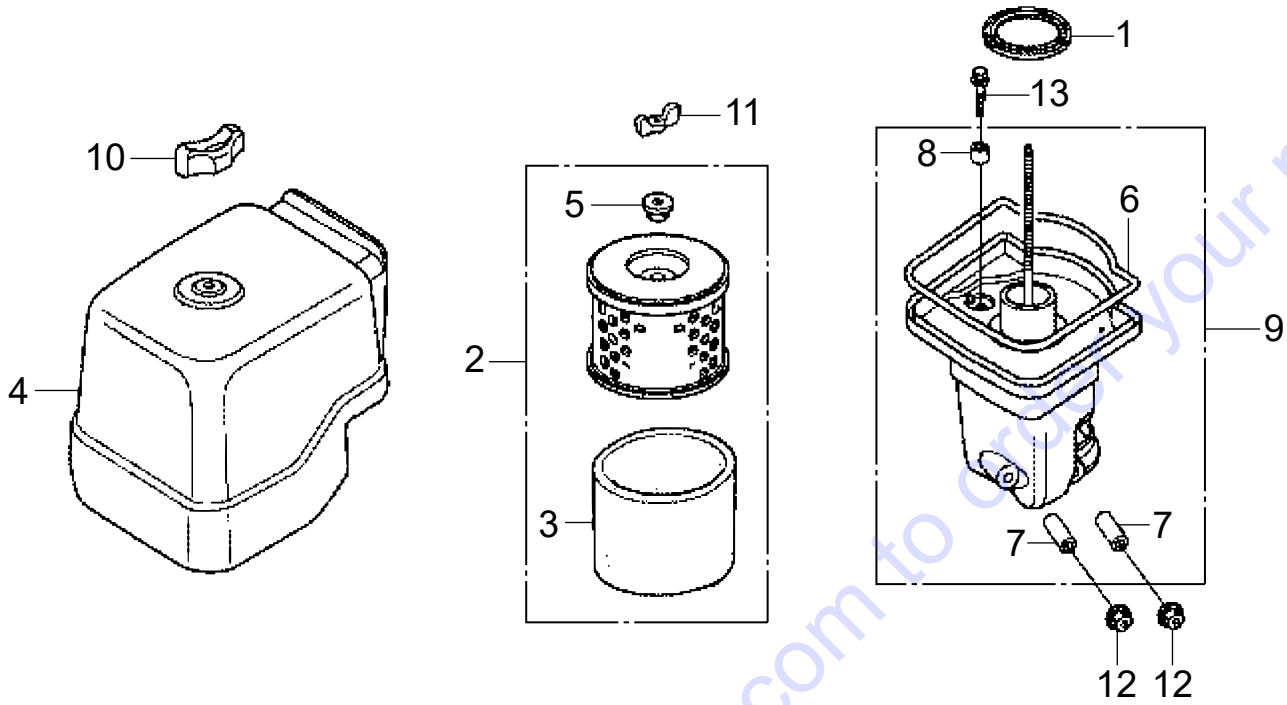


HONDA GX200UT2SM14 ENG. — AIR CLEANER ASSY. (STD.)

<u>NO.</u>	<u>PART NO.</u>	<u>PART NAME</u>	<u>QTY.</u>	<u>REMARKS</u>
1	16271ZE1000	PACKING, ELBOW	1	
2	17210ZE1517	ELEMENT, AIR CLEANER	1.....	INCLUDES ITEMS W/ # REPLACES P/N 17210ZE1822
3#	17218ZE1507	OUTER FILTER	1.....	REPLACES P/N 17218ZE1821
5#	17232891000	GROMMET, AIR CLEANER	1	
6	17235Z4M830	NOSE, SILENCER	1	
7\$	17238ZE7010	COLLAR, AIR CLEANER	2	
8\$	17239ZE1000	COLLAR B, AIR CLEANER	1	
9	17410Z4M000	ELBOW COMPLETE, AIR CLEANER	1.....	INCLUDES ITEMS W/ \$
10	90325044000	NUT, WING	1	
11	9405006000	FLANGE, NUT 6 MM	2	
12	957010602000	FLANGE, BOLT 6X20	1	
15	17231Z4M010	COVER, AIR CLEANER	1	
16	90300Z1V000	NUT, AIR CLEANER	1	

Go to Discount-Equipment.com to order your parts

HONDA GX200UT2SCM ENG. — AIR CLEANER ASSY. (CYCLONE)

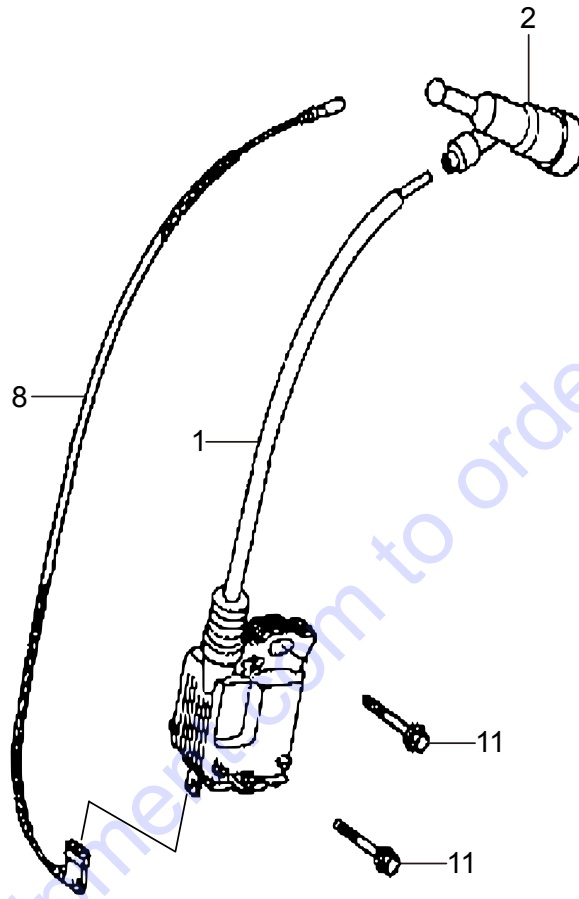


HONDA GX200UT2SCM ENG. — AIR CLEANER ASSY. (CYCLONE)

<u>NO.</u>	<u>PART NO.</u>	<u>PART NAME</u>	<u>QTY.</u>	<u>REMARKS</u>
1	16271ZE1000	PACKING, ELBOW	1	
2	17210Z0V781	ELEMENT, AIR CLEANER	1	INCLUDES ITEMS W/\$
3\$	17218Z0V780	OUTER FILTER	1	
4	17230Z0V780	COVER ASSY., AIR CLEANER	1	
5\$	17232891000	GROMMET, AIR CLEANER	1	
6#	17233Z0V780	SEAL, AIR CLEANER COVER	1	
7#	17238ZE7010	COLLAR, AIR CLEANER	2	
8#	17239ZE3840	COLLAR B, AIR CLEANER	1	
9	17410Z0V780	ELBOW COMP., AIR CLEANER.....	1	INCLUDES ITEMS W/#
10	90300Z4M800	NUT, AIR CLEANER	1	
11	90325044000	NUT, WING	1	
12	9405006000	FLANGE NUT 6MM	2	
13	957010602000	FLANGE BOLT 6X20	1	

Go to Discount-Equipment.com to order your parts

HONDA GX200UT2SM14/SCM ENG. — IGNITION COIL ASSY.



HONDA GX200UT2SM14/SCM ENG. — IGNITION COIL ASSY.

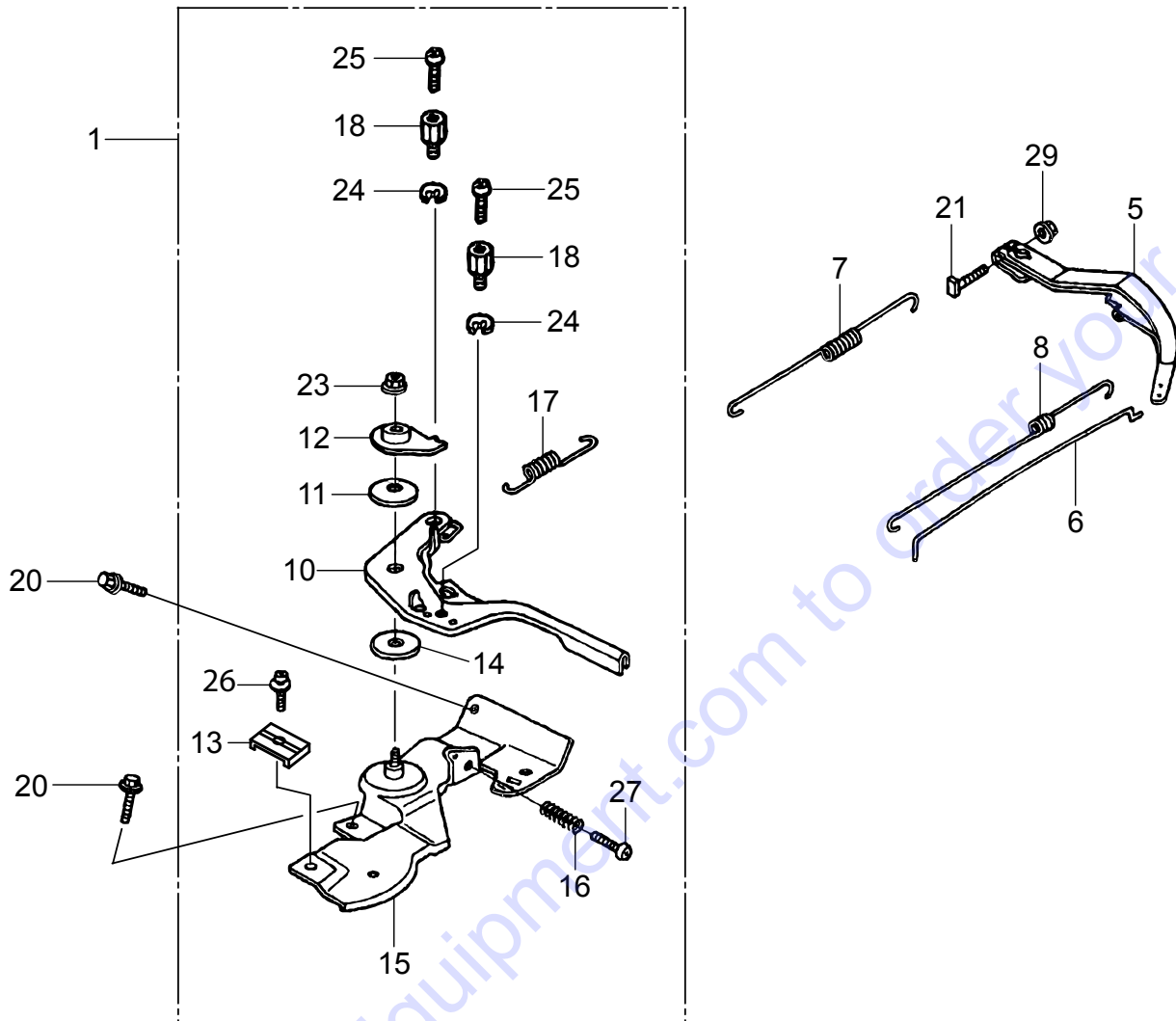
<u>NO.</u>	<u>PART NO.</u>	<u>PART NAME</u>	<u>QTY.</u>	<u>REMARKS</u>
1◆	30500Z0T802	COIL ASSEMBLY, IGNITION	1	
1◇	30500Z0T003	COIL ASSEMBLY, IGNITION	1	
2◆	30700Z0T811	CAP ASSEMBLY, NOISE SUPPRESSOR	1	
2◇	30700Z0T821	CAP ASSEMBLY, NOISE SUPPRESSOR	1	
8◆	36101ZE1010	CORD, STOP SWITCH 370 MM	1	
11	90121952000	FLANGE BOLT 6X25	2.....	REPLACES P/N 957010602500

NOTICE

- ◆ GX200UT2SM14
- ◇ GX200UT2SCM

Go to Discount-Equipment.com to order your parts

HONDA GX200UT2SM14/SCM ENG. — CONTROL ASSY.



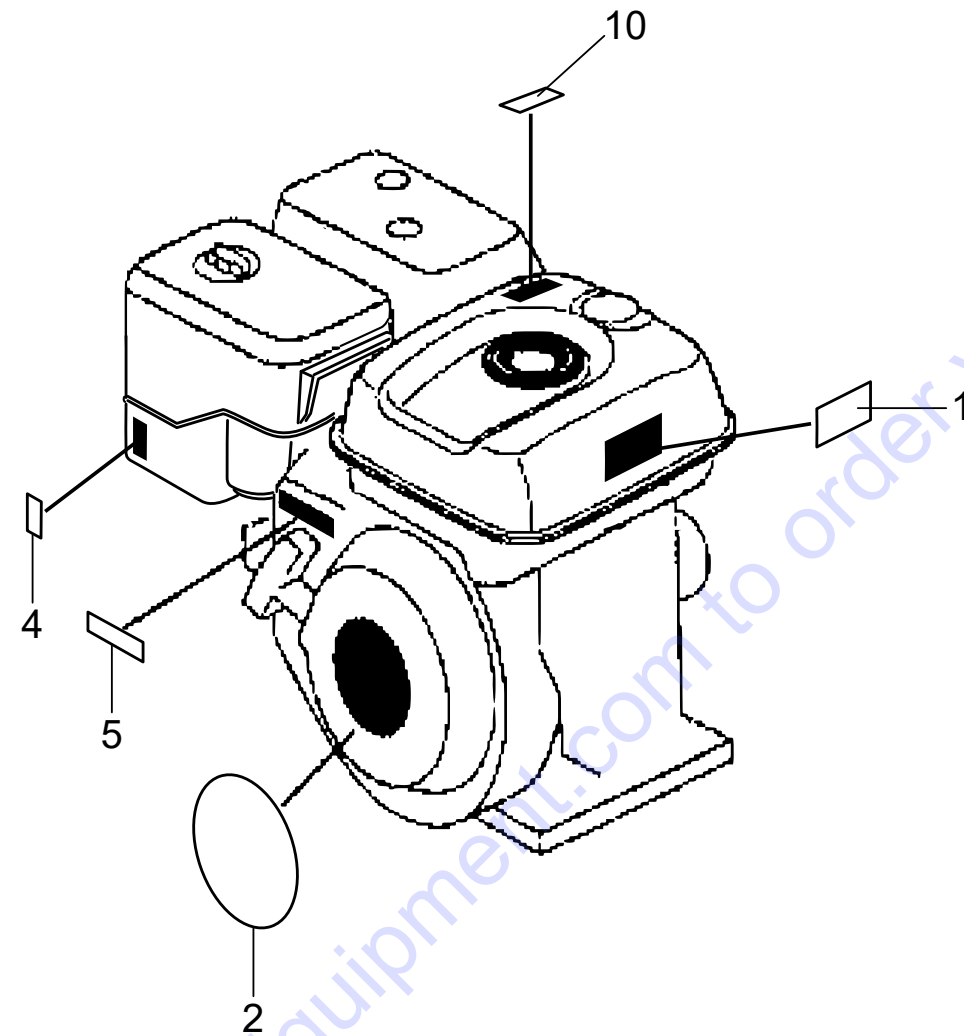
HONDA GX200UT2SM14/SCM ENG. — CONTROL ASSY.

NO.	PART NO.	PART NAME	QTY.	REMARKS
1◆	16500Z4M309	CONTROL ASSEMBLY.....	1.....	INCLUDES ITEMS W/#
1◇	16500Z4M406	CONTROL ASSEMBLY.....	1.....	INCLUDES ITEMS W/%
5	16551ZL0000	GOVERNOR ARM	1	
6	16555Z4M000	ROD, GOVERNOR	1	
7	16561ZL0000	GOVERNOR SPRING	1	
8	16562ZE1020	SPRING, THROTTLE	1	
10#%	16571Z4M000	LEVER, CONTROL	1	
11#%	16574ZE1000	LEVER SPRING	1	
12#%	16575ZH8000	WASHER, CONTROL LEVER	1	
13#%	16576891000	HOLDER, CABLE	1	
14#%	16578ZE1000	SPACER, CONTROL LEVER	1	
15#%	16580Z4M810	BASE COMPLETE, CONTROL	1	
16#%	16584883300	ADJUSTING SPRING	1	
17#%	16592ZE1810	SPRING, CABLE RETURN	1	
18#	16594883010	HOLDER, WIRE	2	
18%	16594883010	HOLDER, WIRE	1	
20	90013883000	FLANGE BOLT 6X12	2	
21◆	90015ZE5010	BOLT, GOVERNOR ARM	1	
21◇	90015Z5T000	BOLT, GOVERNOR ARM	1	
23#%	90114SA0000	LOCK NUT 6MM	1	
24#	90605230000	CIR CLIP	2	
24%	90605230000	CIR CLIP	1	
25#	0043504060	SCREW 4X6	2.....	REPLACES P/N 93500040060H
25%	0043504060	SCREW 4X6	1.....	REPLACES P/N 93500040060H
26#%	0202005T125	SCREW 5X16	1.....	REPLACES P/N 93500050160A
27#%	93500050250H	SCREW 5X25	1	
29	9405006000	FLANGE NUT 6 MM	1	

NOTICE

- ◆ GX200UT2SM14
- ◇ GX200UT2SCM

HONDA GX200UT2SM14/SCM ENG. — ENGINE DECAL ASSY.



HONDA GX200UT2SM14/SCM ENG. — ENGINE DECAL ASSY.

<u>NO.</u>	<u>PART NO.</u>	<u>PART NAME</u>	<u>QTY.</u>	<u>REMARKS</u>
1	87516Z4H010	MARK, OP-CAUTION (ENGLISH)	1	
2	87521Z4V000	EMBLEM	1	
4	87528Z4M000	MARK, CHOKE	1	
5	87532ZH7000	MARK, THROTTLE INDICATION	1	
10	87539Z4M000	MARK, EX.CAUTION (ENGLISH)	1	

Go to Discount-Equipment.com to order your parts

PARTS FINDER

**Search Website
by Part Number**



**Search Manual
Library For Parts
Manual & Lookup Part
Numbers – Purchase
or Request Quote**

Search Manuals

Enter your information to help us find the right parts manual for your machine.

* Brand:

* Model:

* Serial:

* Part Number:

SEARCH

**Can't Find Part or
Manual? Request Help
by Manufacturer,
Model & Description**

Parts Order Form

Please fill in the following information to help us find the right part for your machine.

Manufacturer:	<input type="text"/>
Model:	<input type="text"/>
Description:	<input type="text"/>
Part Number:	<input type="text"/>
Quantity:	<input type="text"/>
Notes:	<input type="text"/>

Submit

Discount-Equipment.com is your online resource for quality parts & equipment.

Florida: **561-964-4949** Outside Florida TOLL FREE: **877-690-3101**

Need parts?

Click on this link: <http://www.discount-equipment.com/category/5443-parts/> and choose one of the options to help get the right parts and equipment you are looking for. Please have the machine model and serial number available in order to help us get you the correct parts. If you don't find the part on the website or on one of the online manuals, please fill out the request form and one of our experienced staff members will get back to you with a quote for the right part that your machine needs.

We sell worldwide for the brands: Genie, Terex, JLG, MultiQuip, Mikasa, Essick, Whiteman, Mayco, Toro Stone, Diamond Products, Generac Magnum, Airman, Haulotte, Barreto, Power Blanket, Nifty Lift, Atlas Copco, Chicago Pneumatic, Allmand, Miller Curber, Skyjack, Lull, Skytrak, Tsurumi, Husquvarna Target, Stow, Wacker, Sakai, Mi-T-M, Sullair, Basic, Dynapac, MBW, Weber, Bartell, Bennar Newman, Haulotte, Ditch Runner, Menegotti, Morrison, Contec, Buddy, Crown, Edco, Wyco, Bomag, Laymor, EZ Trench, Bil-Jax, F.S. Curtis, Gehl Pavers, Heli, Honda, ICS/PowerGrit, IHI, Partner, Imer, Clipper, MMD, Koshin, Rice, CH&E, General Equipment, Amida, Coleman, NAC, Gradall, Square Shooter, Kent, Stanley, Tamco, Toku, Hatz, Kohler, Robin, Wisconsin, Northrock, Oztec, Toker TK, Rol-Air, APT, Wylie, Ingersoll Rand / Doosan, Innovatech, Con X, Ammann, Mecalac, Makinex, Smith Surface Prep, Small Line, Wanco, Yanmar