

PARTS MANUAL



Mikasa **SERIES**
MODEL MVC-90H
ONE-WAY PLATE COMPACTOR
(HONDA GX160K1QMX2/GX160U1QMX2
GASOLINE ENGINES)

Revision #4 (06/12/20)



THIS MANUAL MUST ACCOMPANY THE EQUIPMENT AT ALL TIMES.

PARTS FINDER

**Search Website
by Part Number**



**Search Manual
Library For Parts
Manual & Lookup Part
Numbers – Purchase
or Request Quote**

Search Manuals

Enter your information to help us find the right parts manual for your machine.

* Brand:

* Model:

* Serial:

* Part Number:

SEARCH

**Can't Find Part or
Manual? Request Help
by Manufacturer,
Model & Description**

Parts Order Form

Please fill in the following information to help us find the right part for your machine.

Manufacturer:	<input type="text"/>
Model:	<input type="text"/>
Description:	<input type="text"/>
Part Number:	<input type="text"/>
Quantity:	<input type="text"/>
Notes:	<input type="text"/>

Submit

Discount-Equipment.com is your online resource for quality parts & equipment.

Florida: **561-964-4949** Outside Florida TOLL FREE: **877-690-3101**

Need parts?

Click on this link: <http://www.discount-equipment.com/category/5443-parts/> and choose one of the options to help get the right parts and equipment you are looking for. Please have the machine model and serial number available in order to help us get you the correct parts. If you don't find the part on the website or on one of the online manuals, please fill out the request form and one of our experienced staff members will get back to you with a quote for the right part that your machine needs.

We sell worldwide for the brands: Genie, Terex, JLG, MultiQuip, Mikasa, Essick, Whiteman, Mayco, Toro Stone, Diamond Products, Generac Magnum, Airman, Haulotte, Barreto, Power Blanket, Nifty Lift, Atlas Copco, Chicago Pneumatic, Allmand, Miller Curber, Skyjack, Lull, Skytrak, Tsurumi, Husquvarna Target, Stow, Wacker, Sakai, Mi-T-M, Sullair, Basic, Dynapac, MBW, Weber, Bartell, Bennar Newman, Haulotte, Ditch Runner, Menegotti, Morrison, Contec, Buddy, Crown, Edco, Wyco, Bomag, Laymor, EZ Trench, Bil-Jax, F.S. Curtis, Gehl Pavers, Heli, Honda, ICS/PowerGrit, IHI, Partner, Imer, Clipper, MMD, Koshin, Rice, CH&E, General Equipment, Amida, Coleman, NAC, Gradall, Square Shooter, Kent, Stanley, Tamco, Toku, Hatz, Kohler, Robin, Wisconsin, Northrock, Oztec, Toker TK, Rol-Air, APT, Wylie, Ingersoll Rand / Doosan, Innovatech, Con X, Ammann, Mecalac, Makinex, Smith Surface Prep, Small Line, Wanco, Yanmar

**MULTIQUIP MVC-90H
PLATE COMPACTOR**

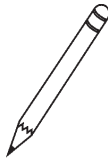
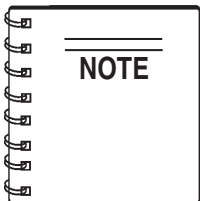
Table Of Contents2
 Explanation Of Codes In Remarks Column4
 Suggested Spare Parts5

COMPONENT DRAWINGS

Nameplate and Decals 6-7
 Body Assembly 8-11
 Vibrator Assembly 12-13
 Clutch Assembly (Old Type) 14-15
 Clutch Assembly (New Type) 16-17

**HONDA GX160K1QMX2/
GX160U1QMX2
GASOLINE ENGINES**

Air Cleaner (Dual) Assembly 18-19
 Camshaft Assembly 20-21
 Carburetor Assembly 22-23
 Control Assembly 24-25
 Crankcase Cover Assembly 26-27
 Crankshaft Assembly 28-29
 Cylinder Barrel Assembly 30-31
 Cylinder Head Assembly 32-33
 Fan Cover Assembly 34-35
 Flywheel Assembly 36-37
 Fuel Tank Assembly 38-39
 Ignition Coil Assembly 40-41
 Muffler Assembly 42-43
 Piston Assembly 44-45
 Recoil Starter Assembly 46-47
 Gasket Kit Assembly 48-49
 Label Assembly 50-51



Specification and part number are subject to change without notice.

MVC-90H — EXPLANATION OF PARTS SECTION REMARKS COLUMN

The following section explains the different symbols and remarks used in the Parts section of this manual. Use the help numbers found on the back page of the manual if there are any questions.

NOTICE

The contents and part numbers listed in the parts section are subject to change **without notice**. Multiquip does not guarantee the availability of the parts listed.

SAMPLE PARTS LIST

NO.	PART NO.	PART NAME	QTY.	REMARKS
1	12345	BOLT.....	1	INCLUDES ITEMS W/%
2%		WASHER, 1/4 IN.....		NOT SOLD SEPARATELY
2%	12347	WASHER, 3/8 IN....	1	MQ-45T ONLY
3	12348	HOSE	A/R	MAKE LOCALLY
4	12349	BEARING	1	S/N 2345B AND ABOVE

NO. Column

Unique Symbols — All items with same unique symbol

(@, #, +, %, or >) in the number column belong to the same assembly or kit, which is indicated by a note in the “Remarks” column.

Duplicate Item Numbers — Duplicate numbers indicate multiple part numbers, which are in effect for the same general item, such as different size saw blade guards in use or a part that has been updated on newer versions of the same machine.

NOTICE

When ordering a part that has more than one item number listed, check the remarks column for help in determining the proper part to order.

PART NO. Column

Numbers Used — Part numbers can be indicated by a number, a blank entry, or TBD.

TBD (To Be Determined) is generally used to show a part that has not been assigned a formal part number at the time of publication.

A blank entry generally indicates that the item is not sold separately or is not sold by Multiquip. Other entries will be clarified in the “Remarks” Column.

QTY. Column

Numbers Used — Item quantity can be indicated by a number, a blank entry, or A/R.

A/R (As Required) is generally used for hoses or other parts that are sold in bulk and cut to length.

A blank entry generally indicates that the item is not sold separately. Other entries will be clarified in the “Remarks” Column.

REMARKS Column

Some of the most common notes found in the “Remarks” Column are listed below. Other additional notes needed to describe the item can also be shown.

Assembly/Kit — All items on the parts list with the same unique symbol will be included when this item is purchased.

Indicated by:

“INCLUDES ITEMS W/(unique symbol)”

Serial Number Break — Used to list an effective serial number range where a particular part is used.

Indicated by:

“S/N XXXXX AND BELOW”
 “S/N XXXX AND ABOVE”
 “S/N XXXX TO S/N XXX”

Specific Model Number Use — Indicates that the part is used only with the specific model number or model number variant listed. It can also be used to show a part is NOT used on a specific model or model number variant.

Indicated by:

“XXXXX ONLY”
 “NOT USED ON XXXX”

“Make/Obtain Locally” — Indicates that the part can be purchased at any hardware shop or made out of available items. Examples include battery cables, shims, and certain washers and nuts.

“Not Sold Separately” — Indicates that an item cannot be purchased as a separate item and is either part of an assembly/kit that can be purchased, or is not available for sale through Multiquip.

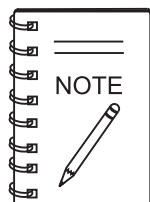
MVC-90H PLATE COMPACTOR — SUGGESTED SPARE PARTS

MIKASA MVC-90H

1 TO 3 UNITS

W/ HONDA GX160K1QMX2/GX160U1QMX2 ENGINES

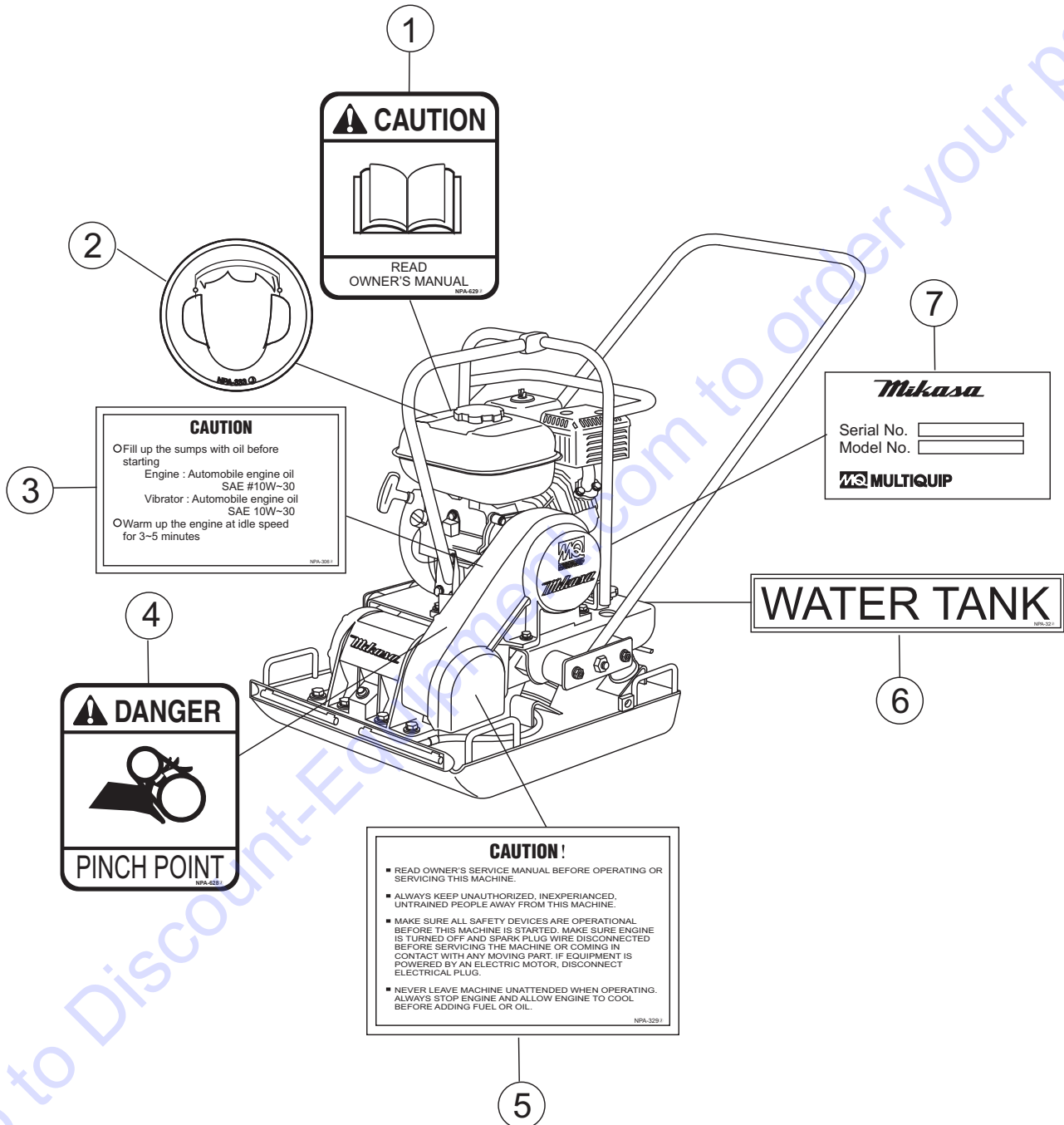
QTY.	P/N	DESCRIPTION
4	070100340	V-BELT, A33
1	0430430015	CAP, WATER TANK
3	9807956846	SPARK PLUG (☐)
3	0650140480	SPARK PLUG (◇)
1	28462ZH8003	ROPE, RECOIL STARTER
3	17210ZE1505	ELEMENT, AIR CLEANER (☐)
3	17210ZE1517	ELEMENT, AIR CLEANER (◇)
1	17620ZH7023	CAP, FUEL TANK (☐)
1	17620ZOT305	CAP, FUEL TANK (◇)
1	17672ZE2W01	FILTER, FUEL TANK
4	930405011	SHOCK ABSORBER
2	402313120	THROTTLE WIRE



- ☐ GX160K1QMX2: Model MVC-90H S/N N-5696 AND BELOW
- ◇ GX160U1QMX2: Model MVC-90H S/N N-5697 AND ABOVE

MVC-90H PLATE COMPACTOR — NAME PLATE AND DECALS

NAME PLATE AND DECALS



MVC-90H PLATE COMPACTOR — NAME PLATE AND DECALS

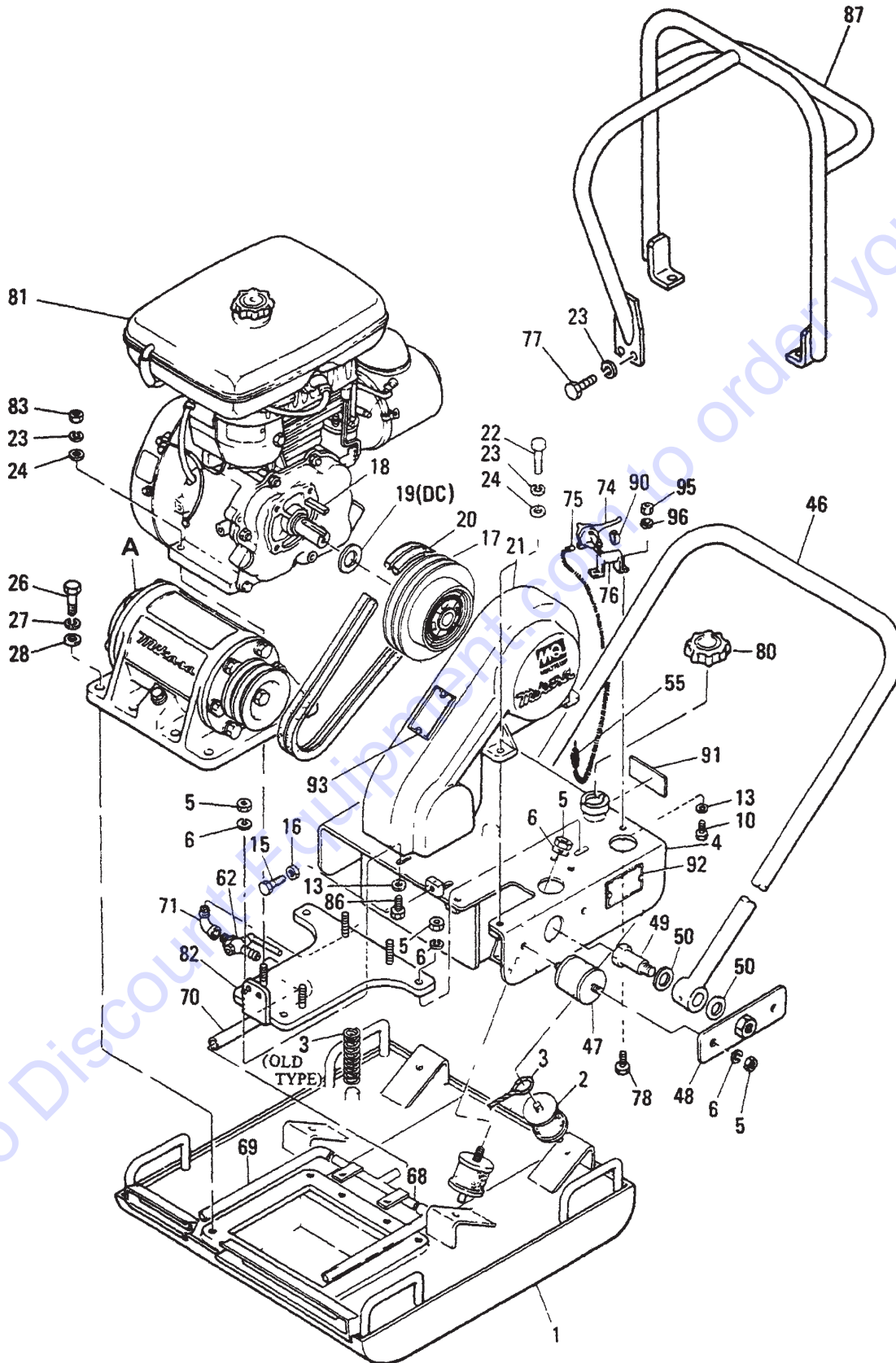
NAME PLATE AND DECALS

<u>NO.</u>	<u>PART NO.</u>	<u>PART NAME</u>	<u>QTY.</u>	<u>REMARKS</u>
1	920206290	DECAL, READ OPERATORS MANUAL	1	NPA-629
2	920203330	DECAL, HEARING PROTECTION	1	NPA-333
3	920203060	DECAL, OIL CAUTION	1	NPA-306
4	920206280	DECAL, DANGER PINCH POINT	1	NPA-628
5	920203290	DECAL, CAUTION OPERATING INSTRUCTIONS	1	NPA-329
6	920200320	DECAL, WATER TANK	1	NPA-320
7		NAME PLATE	1CONTACT DISCOUNT-EQUIPMENT.

Go to Discount-Equipment.com to order your parts

MVC-90H PLATE COMPACTOR — BODY ASSY.

BODY ASSY.



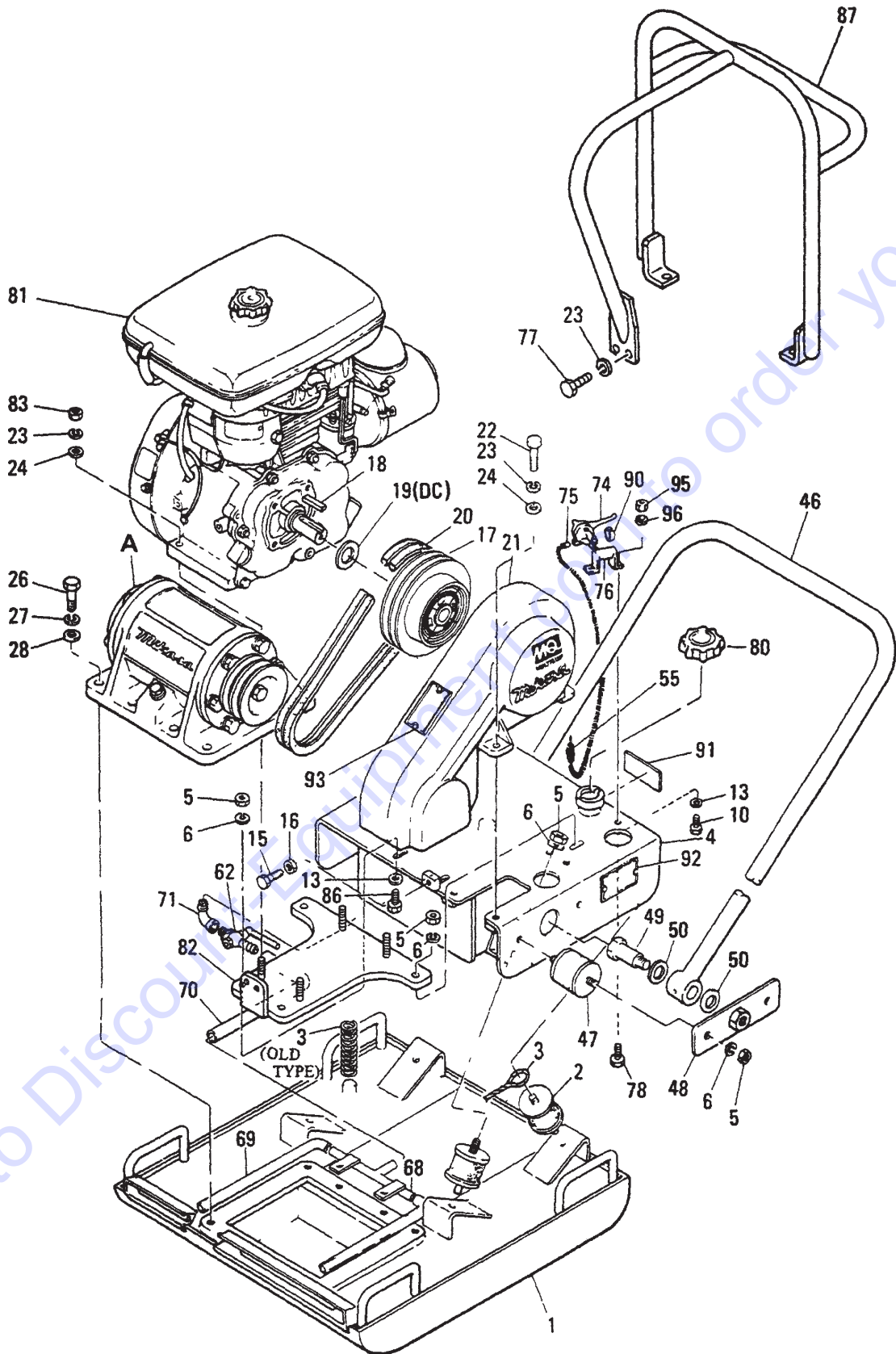
MVC-90H PLATE COMPACTOR — BODY ASSY.

BODY ASSY.

<u>NO.</u>	<u>PART NO.</u>	<u>PART NAME</u>	<u>QTY.</u>	<u>REMARKS</u>
1	402100430	VIBRATING PLATE	1	
2	930405011	SHOCK ABSORBER	4	
3	959404350	EARTH WIRE	1	
4	402010010	BASE	1	
5	020310080	NUT M10	12	
6	030210250	SW M10	12	
10	012010030	BOLT 10 X 30	2	
13	031110160	PW M10	4	
15	011008035	BOLT 8 X 35	1	
16	020108060	NUT M8	1	
17	402326850	CLUTCH ASSY, A2- 143- 19	1	
18	408412320	KEY 4.77 X 4.77 X 35	1	
19	402420740	SPACER, CLUTCH 19.05 X 27 X 5	1	
20	070100340	V- BELT A33	2	
21	402106590	BELT COVER	1	
22	001200830	BOLT 8 X 30	4	
23	030208200	SW M8	10	
24	031108160	PW M8	8	
26	012112035	BOLT 12X35 H	8	
27	030212300	SW M12	8	
28	031112230	PW M12	6	
46	402010080	HANDLE	1	
47	930305020	SHOCK ABSORBER	4	
48	402010020	PLATE, HANDLE SETTING	2	
49	402402430	BOLT, HANDLE SETTING	2	
50	952402281	WASHER 21363	4	

MVC-90H PLATE COMPACTOR — BODY ASSY.

BODY ASSY.



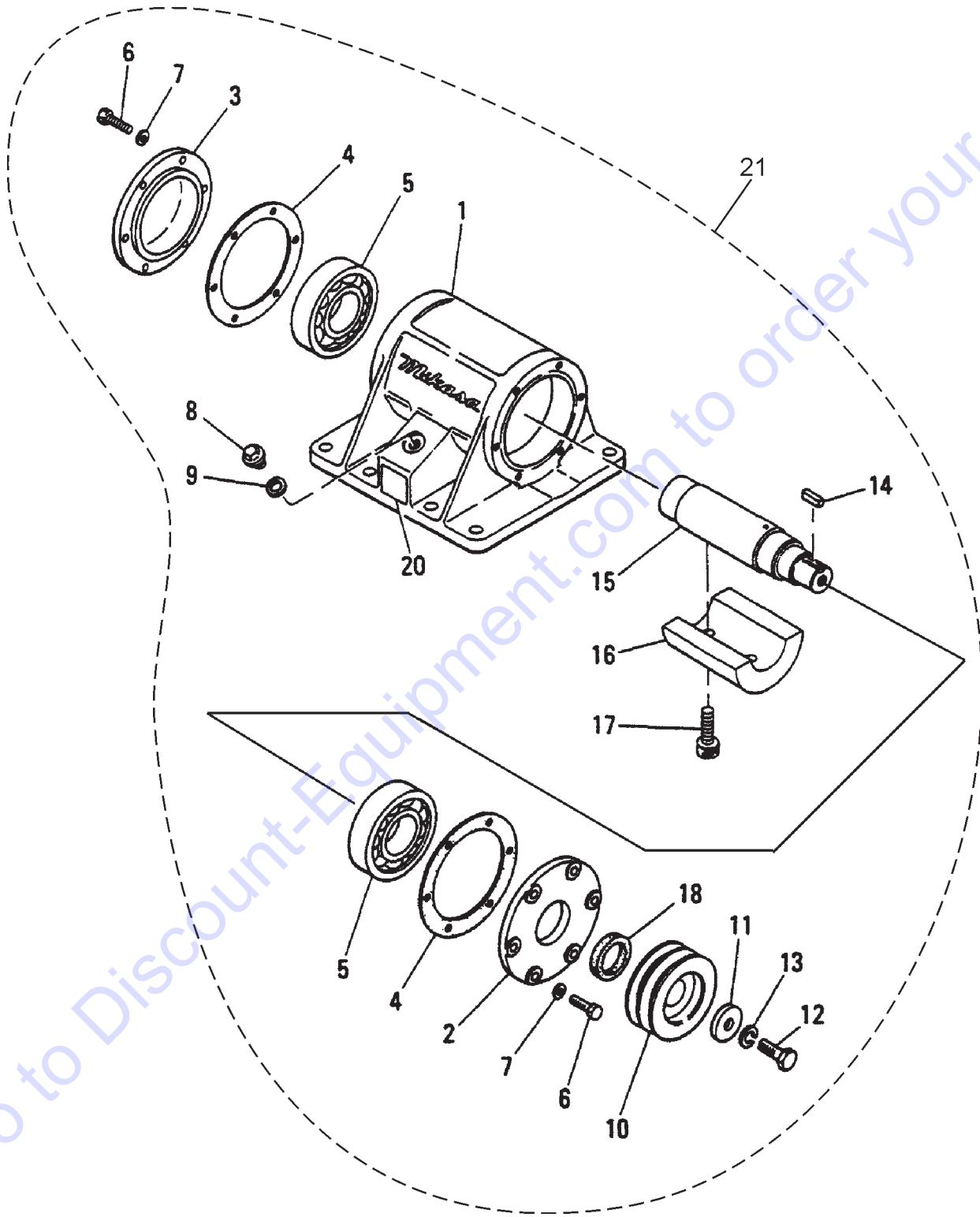
MVC-90H PLATE COMPACTOR — BODY ASSY. (CONTINUED)

BODY ASSY. (CONTINUED)

<u>NO.</u>	<u>PART NO.</u>	<u>PART NAME</u>	<u>QTY.</u>	<u>REMARKS</u>
55	402010110	RETURN SPRING	1	
62	954403241	COCK PT1/4	1	
68	402010040	T-JOINT	1	
69	402010050	VINYL PIPE A, 10 X 13 X 380	2	
70	402010060	VINYL PIPE B, 10 X 13 X 350	1	
71	954401600	ELBOW 1/4	1	
74	956300060	THROTTLE LEVERL ASSY	1	
75	402313120	THROTTLE WIRE, S110-250	1	
76	501310130	LEVER HOLDER	1	
77	011008020	BOLT 8X20	2	
78	011008025	BOLT 8X25	2	
80	0430430015	CAP, WATER TANK	1	
81	912216006	ENGINE ASSY, GX160K1QMX2	1	S/N N-5696 AND BELOW
81	912216011	ENGINE ASSY, GX160U1QMX2	1	S/N N-5697 AND ABOVE
82	402207080	ENGINE BASE	1	
83	020108060	NUT, M8	4	
84	952403630	WASHER, 9 X30 X3	1	
86	012010035	BOLT 10 X 30	2	
87	402206900	GUARD	1	
90	959403750	RUBBER, SLIP STOP	1	
91	920200320	DECAL, WATER TANK	1	
92	920200390	PLATE, S. NUMBER	1	
93	920200650	DECAL, CAUTION	1	
94	030208200	SW, M8	1	
95	020108060	NUT, M8	2	
96	030208200	SW, M8	2	

MVC-90H PLATE COMPACTOR — VIBRATOR ASSY.

VIBRATOR ASSY.



MVC-90H PLATE COMPACTOR — VIBRATOR ASSY.

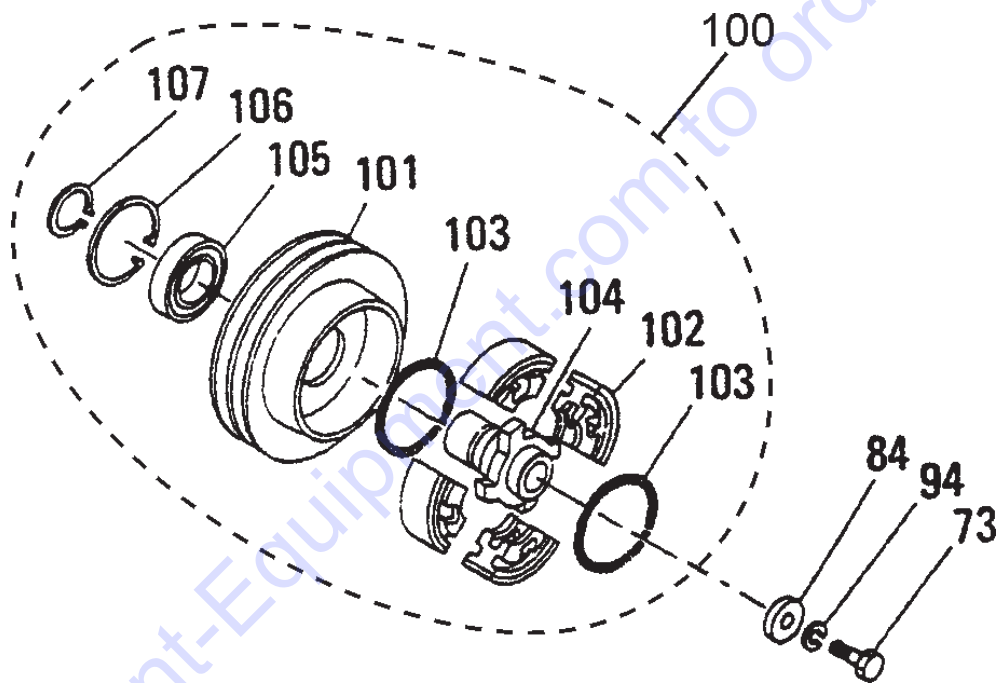
VIBRATOR ASSY.

<u>NO.</u>	<u>PART NO.</u>	<u>PART NAME</u>	<u>QTY.</u>	<u>REMARKS</u>
1*	408010050	VIBRATING CASE	1	
2*	401301260	CASE COVER/A	1	
3*	401301270	CASE COVER/B	1	
4*	401010190	PACKING	2	
5*	040406309	BEARING 6309C4	2	
6*	011208025	BOLT 8X25 T	12	
7*	030208200	SW M8	12	
8*	953400270	PLUG 1/4X14	1	
9*	953400160	PACKING 1/4	1	
10*	401010210	PULLEY/VIBRATOR	1	
11*	401010220	WASHER 13406	1	
12*	012112035	BOLT 12X35 H	1	
13*	030212300	SW M12	1	
14*	951010090	KEY 7X7X23	1	
15*	401010200	ROTARY SHAFT	1	
16*	401010240	ECCENTRIC ROTATOR	1	
17*	014212030	SOCKET HEAD BOLT 12X30 T	2	
18*	060403060	OIL SEAL TC- 35488	1	
20*	920101190	DECAL, TURBINE OIL/NP- 119	1	
21	402910010	VIBRATOR ASSY	1	INCLUDES ITEMS W/*

Go to Discount-Equipment.com to order your parts

MVC-90H PLATE COMPACTOR — CLUTCH ASSY. (OLD TYPE)

CLUTCH ASSY. (OLD TYPE)



MVC-90H PLATE COMPACTOR — CLUTCH ASSY. (OLD TYPE)

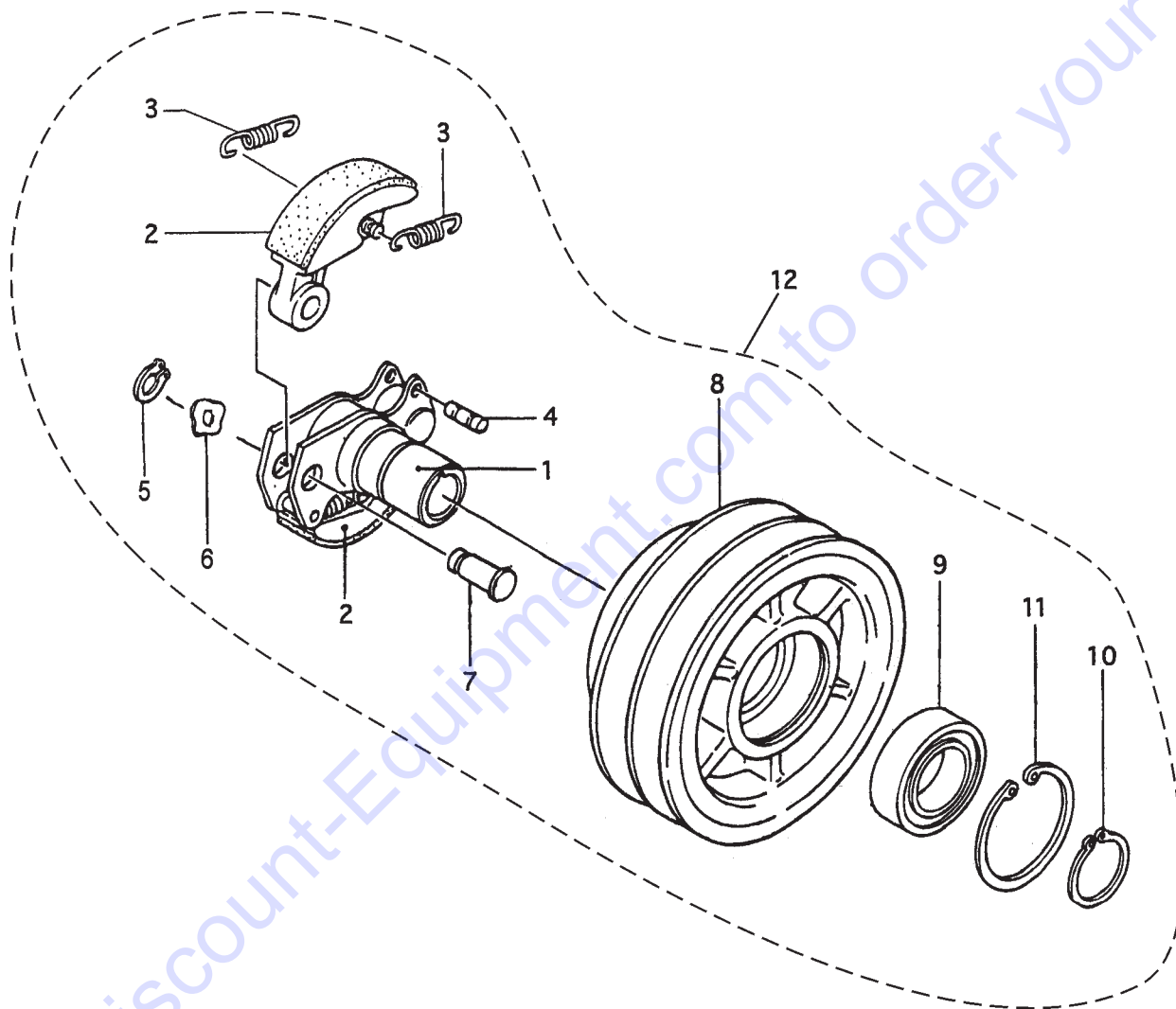
CLUTCH ASSY. (OLD TYPE)

<u>NO.</u>	<u>PART NO.</u>	<u>PART NAME</u>	<u>QTY.</u>	<u>REMARKS</u>
73	402010150	BOLT, 5/16-24 UNF-35MM	1	
84	952403630	WASHER 9X30X3	1	
94	030208200	SW M8	1	
100		CLUTCH ASSY.	1	MUST USE NEW CLUTCH ASSY.
101		PULLEY DRUM A2- 143.....	1	MUST USE NEW CLUTCH ASSY.
102	941020010	CLUTCH SHOE T90	4	
103	941030010	CLUTCH SPRING/1.2X6.5X155	2	
104		CLUTCH SHAFT S19.05DL- 65	1	MUST USE NEW CLUTCH ASSY.
105	046006006	BEARING 6006DDU	1	
106	080600550	STOP RING AR- 55	1	
107	080200300	STOP RING S- 30	1	

Go to Discount-Equipment.com to order your parts

MVC-90H PLATE COMPACTOR — CLUTCH ASSY. (NEW TYPE)

CLUTCH ASSY. (NEW TYPE)



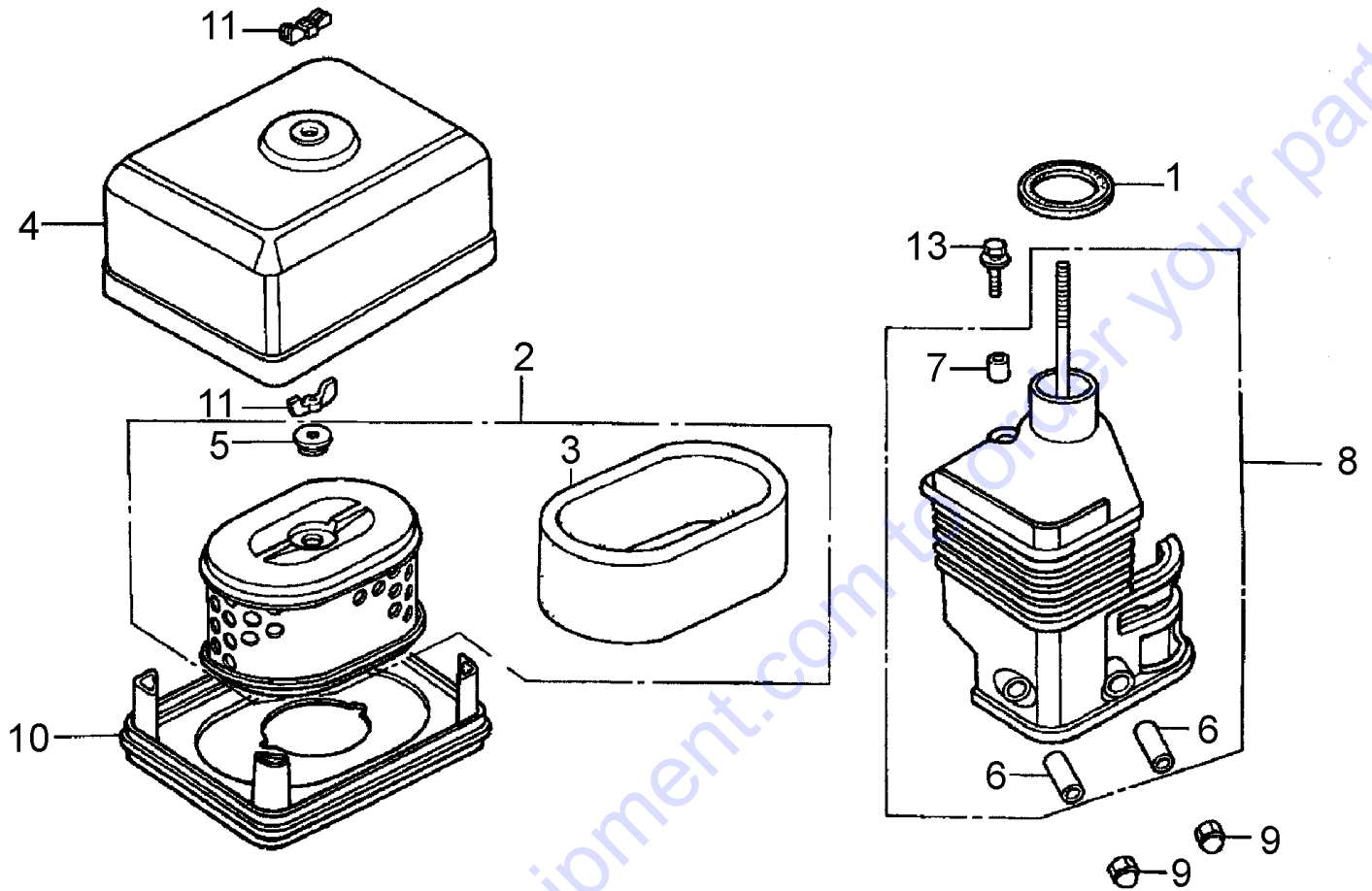
MVC-90H PLATE COMPACTOR — CLUTCH ASSY. (NEW TYPE)

CLUTCH ASSY. (NEW TYPE)

<u>NO.</u>	<u>PART NO.</u>	<u>PART NAME</u>	<u>QTY.</u>	<u>REMARKS</u>
1	943040050	CLUTCH SHAFT D:19.05	1	
2	943020030	CLUTCH SHOE	2	
3	943030030	CLUTCH SPRING	4	
4	943050080	SPRING PIN (A), CLUTCH	2	
5	952010060	WASHER, WAVE	2	
6	080200120	STOP RING, S-12	2	
7	943050070	ARM PIN, CLUTCH	2	
8	943010030	PULLEY DRUM /D;143	1	
9	046006006	BEARING 6006DDU	1	
10	080200300	STOP RING S- 30	1	
11	080100550	STOP RING R- 55	1	
12	402326850	CLUTCH AY, A2- 143- 19	1	

Go to Discount-Equipment.com to order your parts

HONDA GX160K1QMX2/GX160U1QMX2 ENG.— AIR CLEANER (DUAL) ASSY.



HONDA GX160K1QMX2/GX160U1QMX2 ENG.— AIR CLEANER (DUAL) ASSY.

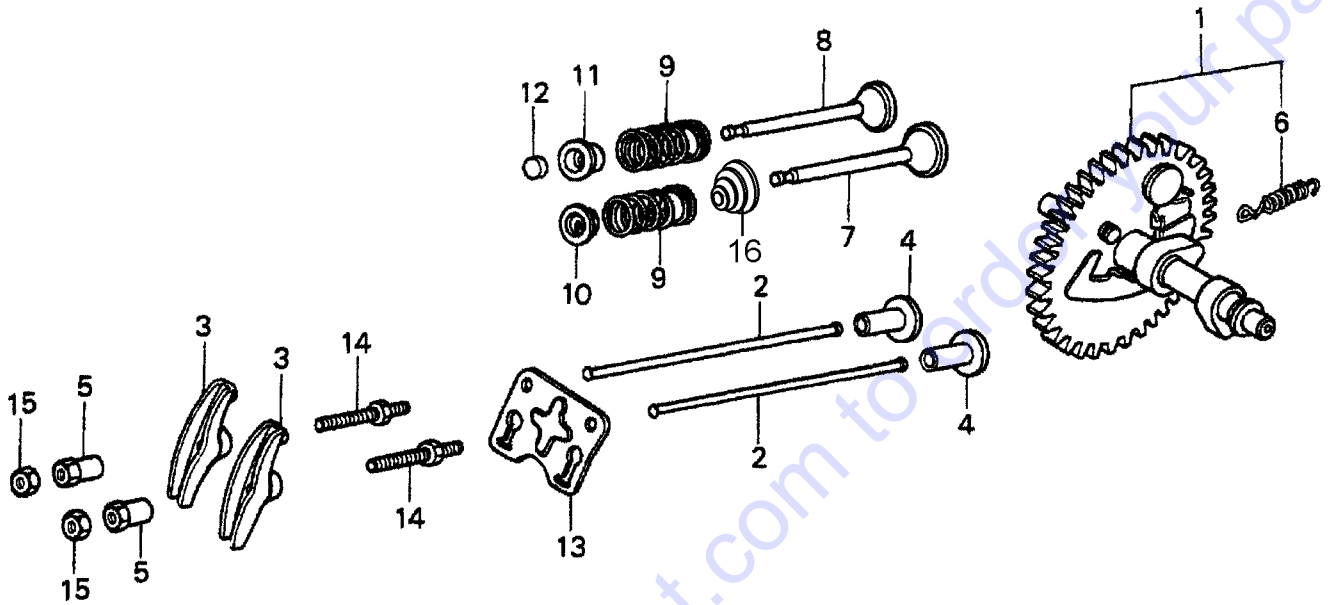
AIR CLEANER (DUAL) ASSY.

<u>NO.</u>	<u>PART NO.</u>	<u>PART NAME</u>	<u>QTY.</u>	<u>REMARKS</u>
1	16271ZE1000	GASKET, ELBOW	1.....	INCLUDES ITEMS W@
2❖	17210ZE1505	ELEMENT, AIR CLEANER (DUAL)	1	
2◇	17210ZE1517	ELEMENT, AIR CLEANER (DUAL)	1	
3❖@	17218ZE1505	FILTER (OUTER)	1	
3◇@	17218ZE1507	FILTER (OUTER)	1	
4	17230ZE1820	COVER, AIR CLEANER (DUAL)	1	
5@	17232891000	GROMMET, AIR CLEANER	1	
6#	17238ZE7010	COLLAR, AIR CLEANER	2	
7#	17239ZE1000	COLLAR B, AIR CLEANER	1	
8	17410ZE1020	ELBOW, AIR CLEANER	1.....	INCLUDES ITEMS W/#
94	90201415000	NUT, CAP (6 MM)	2	
9◇	9405006000	NUT, CAP (6 MM)	2	
10	17235ZE1831	NOSE, MUFFLER	1	
11	90325044000	WINGNUT, TOOL BOX SETTING	2	
13	957010602000	BOLT, FLANGE (6 X 20)	1	
14◇	57528ZH7000	MARK, CHOKE (GRAY)	1	

NOTICE

- ❖ GX160K1QMX2: Model MVC-90H S/N N-5696 AND BELOW
- ◇ GX160U1QMX2: Model MVC-90H S/N N-5697 AND ABOVE

HONDA GX160K1QMX2/GX160U1QMX2 ENG. — CAMSHAFT ASSY.



HONDA GX160K1QMX2/GX160U1QMX2 ENG. — CAMSHAFT ASSY.

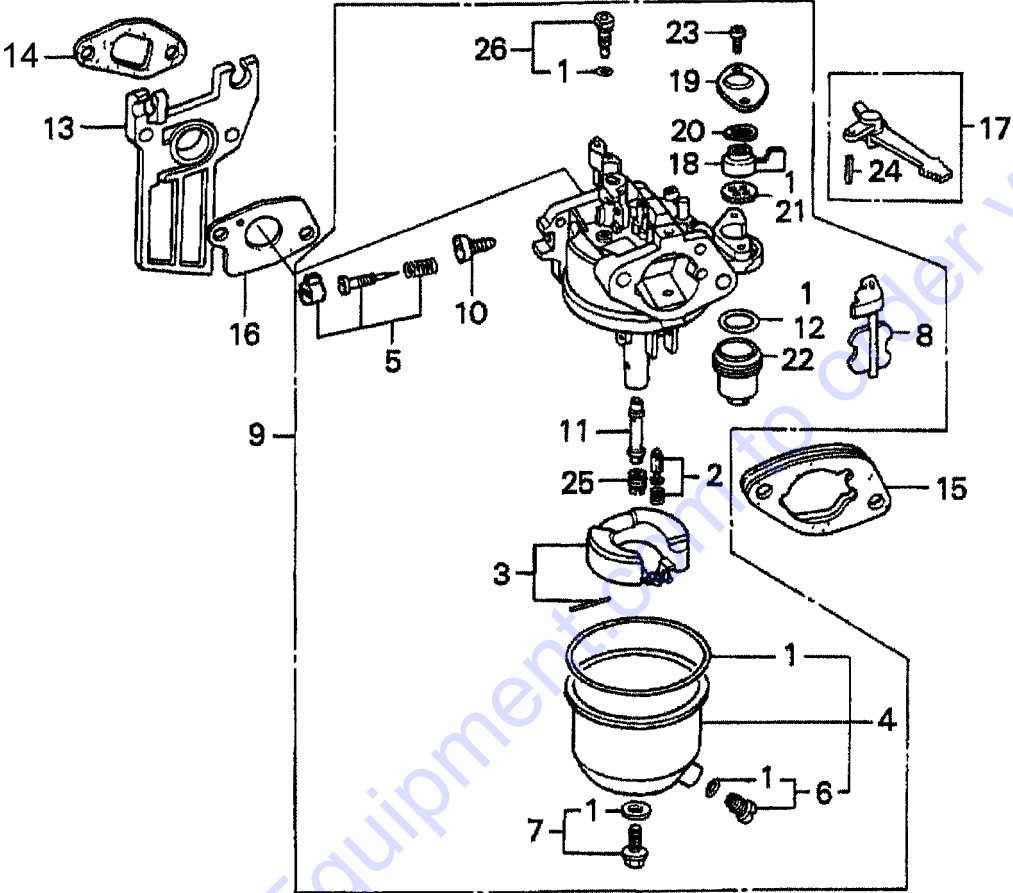
CAMSHAFT ASSY.

<u>NO.</u>	<u>PART NO.</u>	<u>PART NAME</u>	<u>QTY.</u>	<u>REMARKS</u>
1	14100ZE1812	CAMSHAFT ASSY.....	1	INCLUDES ITEMS W/@
2	14410ZE1010	ROD, PUSH	2	
3	14431ZE1000	ARM, VLAVE ROCKER	2	
4	14441ZE1010	LIFTER, VALVE	2	
5	14451ZE1013	PIVOT, ROCKER ARM	2	
6@	14568ZE1000	SPRING, WEIGHT RETURN	1	
7	14711ZF1000	VALVE, IN.	1	
8	14721ZF1000	VALVE, EX. (STELITE)	1	
9	14751ZF1000	SPRING VALVE	2	
10	14771ZE1000	RETAINER, IN. VALVE SPRING	1	
11	14773ZE1000	RETAINER, EX. VALVE SPRING	1	
12	14781ZE1000	ROTATOR, VALVE	1	
13	14791ZE1010	PLATE, PUSH ROD GUIDE	1	
14	90012ZE0010	BOLT, PIVOT (8MM)	2	
15	90206ZE1000	NUT, PIVOT ADJ.	2	
16◇	12209ZH8003	SEAL, VALVE STEM	1	

NOTICE

- ❖ GX160K1QMX2: Model MVC-90H S/N N-5696 AND BELOW
- ◇ GX160U1QMX2: Model MVC-90H S/N N-5697 AND ABOVE

HONDA GX160K1QMX2/GX160U1QMX2 ENG. — CARBURETOR ASSY.



HONDA GX160K1QMX2/GX160U1QMX2 ENG. — CARBURETOR ASSY.

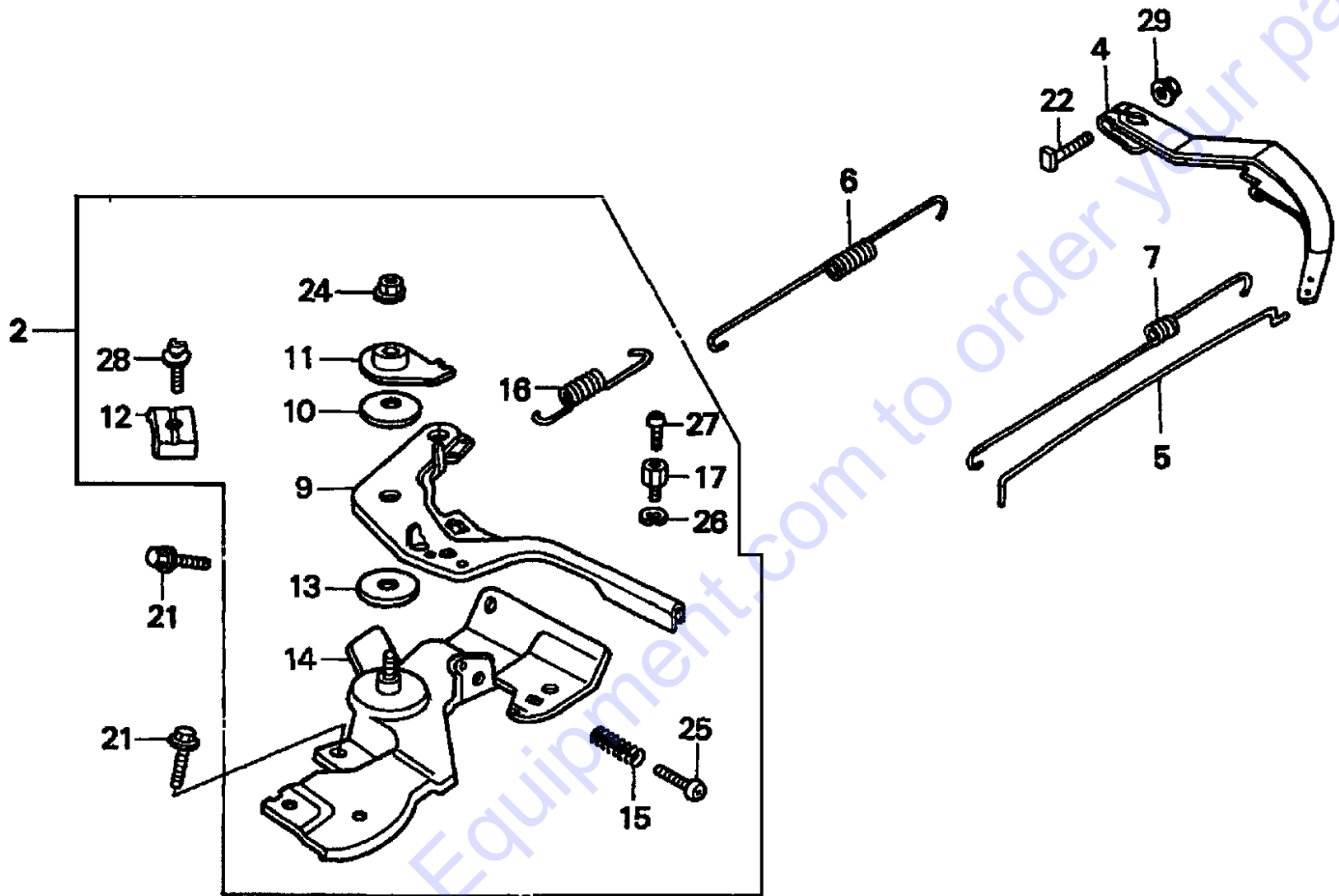
CARBURETOR ASSY.

<u>NO.</u>	<u>PART NO.</u>	<u>PART NAME</u>	<u>QTY.</u>	<u>REMARKS</u>
1	16010ZE1812	GASKET SET	1	
2@	16011ZE0005	VALVE SET, FLOAT	1	
3@	16013ZE0005	FLOAT SET	1	
4@	16015ZE0831	CHAMBER SET, FLOAT	1	
5@	16016ZH7W01	SCREW SET	1	
6@	16024ZE1811	SCREW SET, DRAIN	1	
7@	16028ZE0005	SCREW SET B	1	
8@	16044ZE0005	CHOKE SET	1	
9@	16100ZH8W51	CARBURETOR ASSY. (BE65B B)	1	INCLUDES ITEMS W/@
10@	16124ZE0005	SCREW, THROTTLE STOP	1	
11@	16166ZH8W50	NOZZLE, MAIN	1	
12@	16173001004	O-RING	1	
13	16211ZE1000	INSULATOR, CARBURETOR	1	
14	16212ZH8800	GASKET, INSULATOR	1	
15	16220ZE1020	SPACER, CARBURETOR	1	
16	16221ZH8801	GASKET, CARBURETOR	1	
17	16610ZE1000	LEVER, CHOKE (STD)	1	INCLUDES ITEMS W/#
18@	16953ZE1812	LEVER, VALVE	1	
19@	16954ZE1811	PLATE, LEVER SETTING	1	
19@	16954ZE1812	PLATE, LEVER SETTING	1	
20@	16956ZE1811	SPRING, VALVE LEVER	1	
21@	16957ZE1812	GASKET, VALVE	1	
22@	16967ZE0811	CUP, FUEL STRAINER	1	
23@	93500030060H	SCREW, PAN (3 X 6)	2	
23@	93500030061H	SCREW, PAN (3 X 6)	2	
24#	9430520122	PIN, SPRING (2 X 12)	1	
25x	99101ZH80650	JET, MAIN (#65) OPTIONAL	1	
25x	99101ZH80680	JET, MAIN (#68) OPTIONAL	1	
25@	99101ZH80700	JET, MAIN (#70)	1	
26@	99204ZE00350	JET, SET, PILOT (#35)	1	

NOTICE

- ❖ GX160K1QMX2: Model MVC-90H S/N N-5696 AND BELOW
- ◇ GX160U1QMX2: Model MVC-90H S/N N-5697 AND ABOVE

HONDA GX160K1QMX2/GX160U1QMX2 ENG. — CONTROL ASSY.



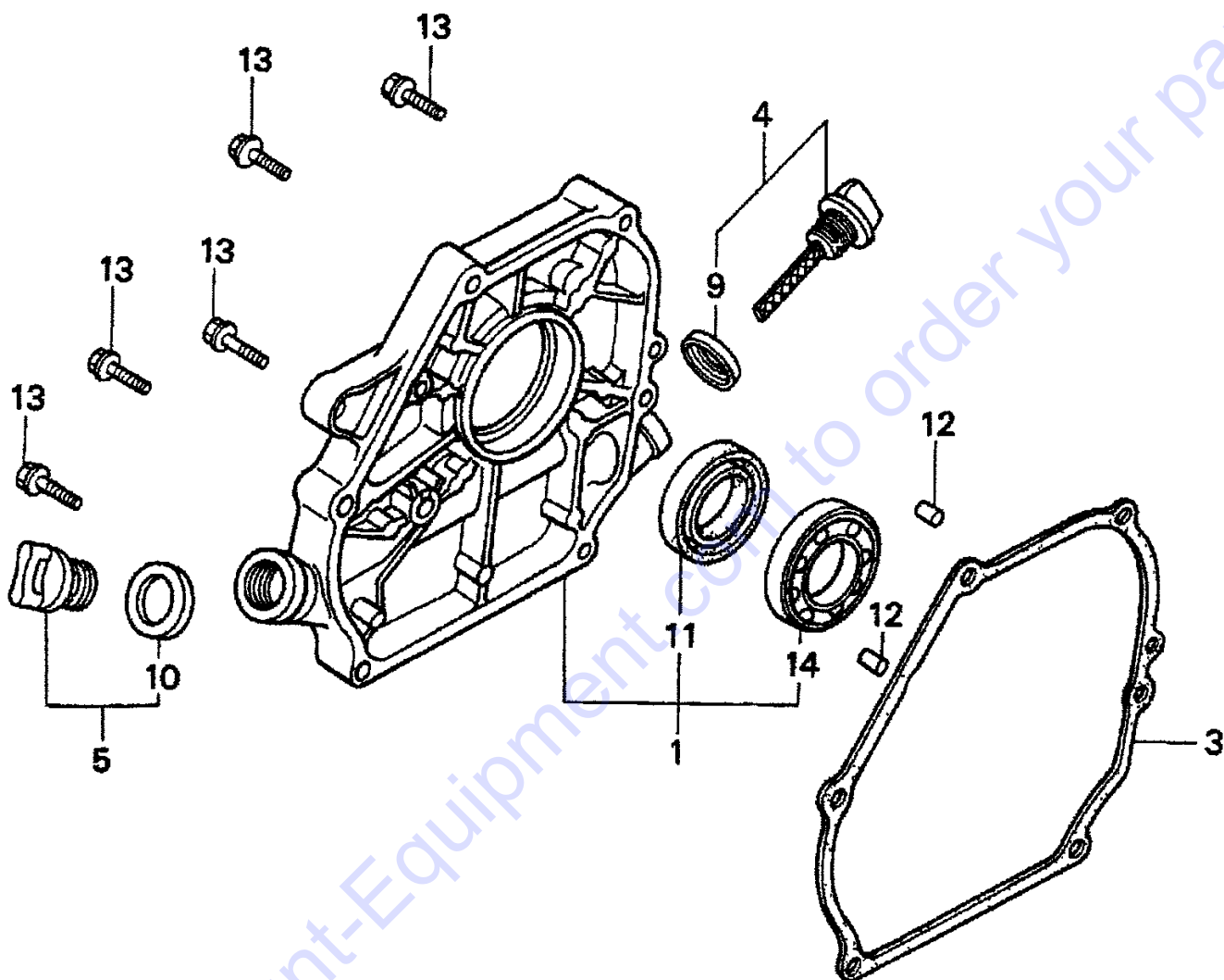
HONDA GX160K1QMX2/GX160U1QMX2 ENG. — CONTROL ASSY.

CONTROL ASSY.

<u>NO.</u>	<u>PART NO.</u>	<u>PART NAME</u>	<u>QTY.</u>	<u>REMARKS</u>
2	16500ZH8813	CONTROL ASSY.....	1.....	INCLUDES ITEMS W/@
4	16551ZE0010	ARM, GOVERNOR	1	
5	16555ZE1000	ROD, GOVERNOR	1	
6	16561ZE1020	SPRING, GOVERNOR	1	
7	16562ZE1020	SPRING, THROTTLE RETURN	1	
9@	16571ZH8020	LEVER CONTROL	1	
10@	16574ZE1000	SPRING LEVER	1	
11@	16575ZH8000	WASHER, CONTROL LEVER	1	
12	16576891000	HOLDER, CABLE	1	
13@	16578ZE1000	SPACER, CONTROL LEVER	1	
14@	16580ZH8813	BASE CONTROL	1	
15@	16584883300	SPRING, CONTROL ADJUSTING	1	
16@	16592ZE1810	SPRING, CABLE RETURN	1	
17@	16594883010	HOLDER, WIRE	1	
17@	16594883010	HOLDER, WIRE	1	
21	90013883000	BOLT, FLANGE (6 X 12) (CT200)	2	
22	90015ZE5010	BOLT, GOVERNOR ARM	1	
24@	90114SA0000	NUT, SELF-LOCK (6MM)	1	
25@	93500050250H	SCREW, PAN (5 X 25)	1	
26@	90605230000	CIRCLIP	1	
27@	93500040060H	SCREW, PAN (5 X 25)	1	
28	93500050160A	SCREW, PAN (5 X 16)	1	
29	9405006000	NUT, FLANGE (6MM)	1	

Go to Discount-Equipment.com to order your parts

HONDA GX160K1QMX2/GX160U1QMX2 ENG. — CRANKCASE COVER ASSY.



HONDA GX160K1QMX2/GX160U1QMX2 ENG. — CRANKCASE COVER ASSY.

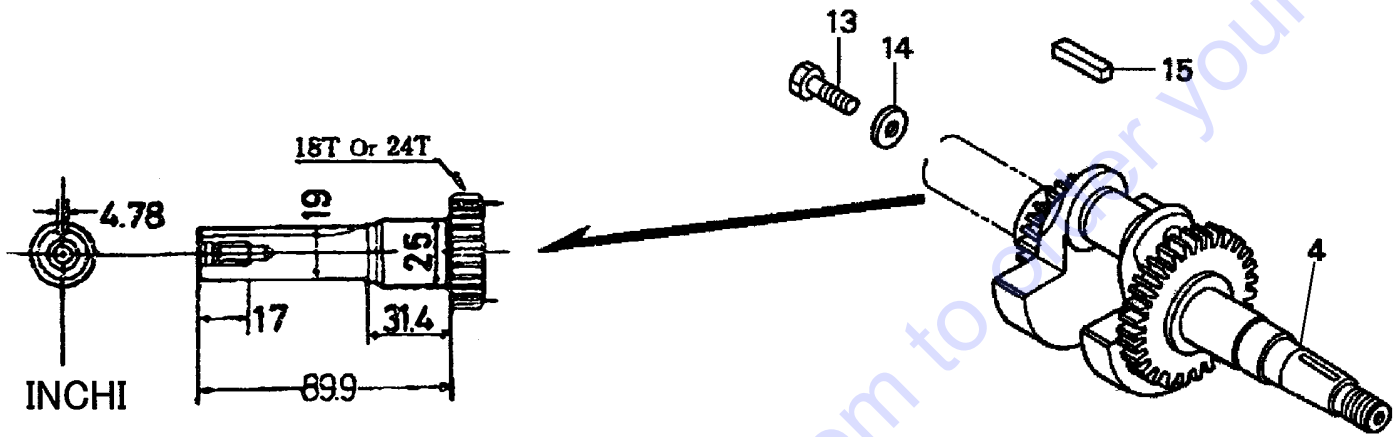
CRANKCASE COVER ASSY.

<u>NO.</u>	<u>PART NO.</u>	<u>PART NAME</u>	<u>QTY.</u>	<u>REMARKS</u>
1✖	11300ZE1641	COVER ASSY., CRANKCASE (U-TYPE)	1.....	INCLUDES ITEMS W/@
1◇	11300ZE1642	COVER ASSY., CRANKCASE (U-TYPE)	1.....	INCLUDES ITEMS W/%
3	11381ZH8801	GASKET, CASE COVER	1	
4	15600ZE1003	CAP ASSY., OIL FILLER.....	1.....	INCLUDES ITEMS W/#
5	15600ZG4003	CAP ASSY., OIL FILLER.....	1.....	INCLUDES ITEMS W/+
6#	15620ZE1003	CAP, OIL FILLER		
9#	15625ZE1003	GASKET, OIL FILLER CAP	1	
10+	15625ZE1003	GASKET, OIL FILLER CAP	1	
11✖@	91202883005	OIL SEAL (25 X 41 X 6)	1	
11◇%	91201Z0T801	OIL SEAL (25 X 41 X 6)	1	
12	9430108140	PIN A, DOWEL (8 X 14)	2	
13	957010803200	BOLT, FLANGE (8 X 32)	6	
14@%	961006205000	BEARING, RADIAL BALL (6205)	1	

NOTICE

- ✖ GX160K1QMX2: Model MVC-90H S/N N-5696 AND BELOW
- ◇ GX160U1QMX2: Model MVC-90H S/N N-5697 AND ABOVE

HONDA GX160K1QMX2/GX160U1QMX2 ENG. — CRANKSHAFT ASSY.



HONDA GX160K1QMX2/GX160U1QMX2 ENG. — CRANKSHAFT ASSY.

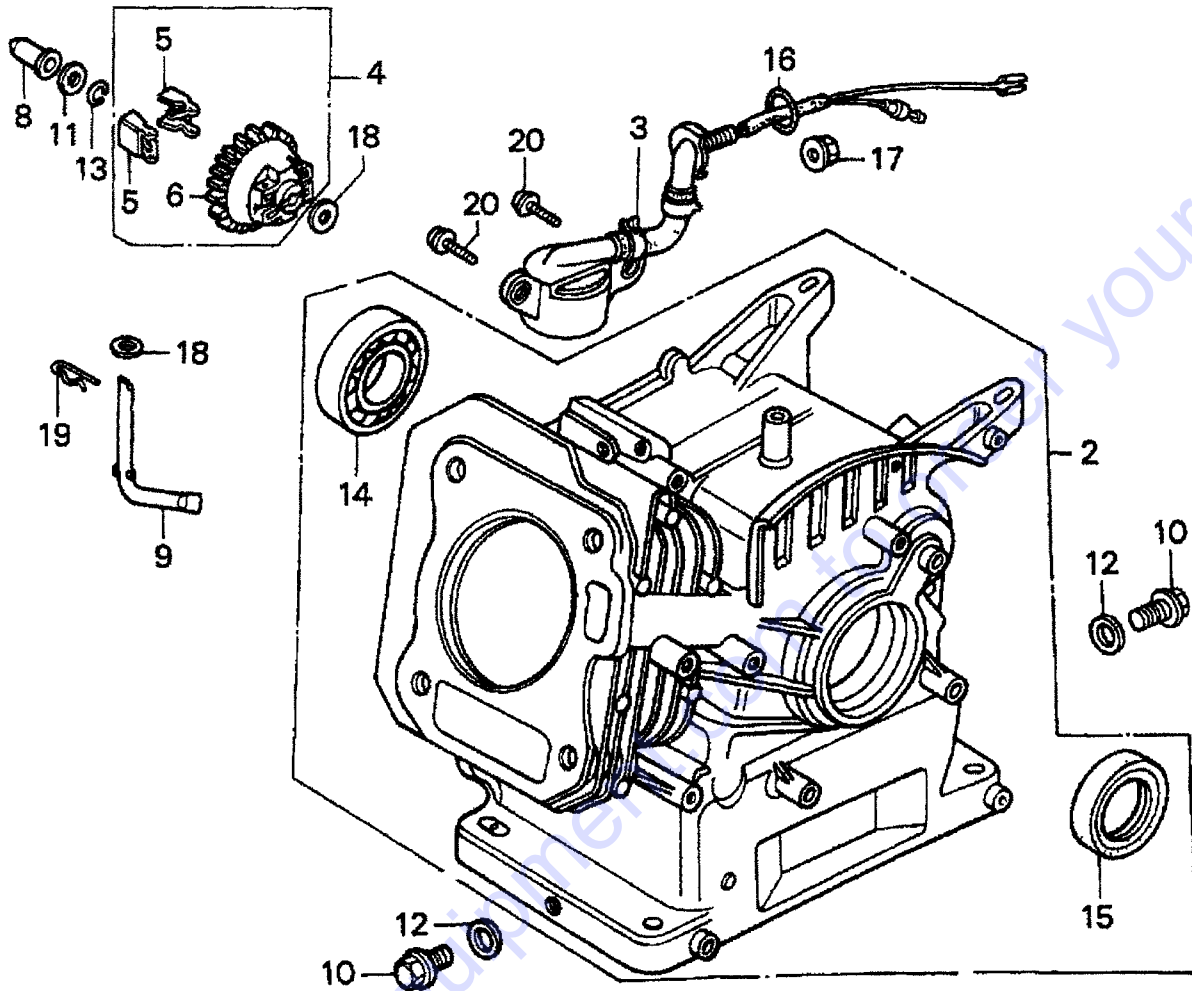
CRANKSHAFT ASSY.

<u>NO.</u>	<u>PART NO.</u>	<u>PART NAME</u>	<u>QTY.</u>	<u>REMARKS</u>
4	13310ZE1601	CRANKSHAFT (Q-TYPE)	1	
13❖	90003ZE1000	BOLT, HEX 5/16"	1	S/N 6745959 AND ABOVE
13◇	90003ZE1000	BOLT, HEX 5/16"	1	
14❖	90473842000	WASHER, 8 MM	1	S/N 6745959 AND ABOVE
14◇	90473842000	WASHER, 8 MM	1	
15	90745ZE1600	KEY, 78 X 38 MM	1	

NOTICE

- ❖ GX160K1QMX2: Model MVC-90H S/N N-5696 AND BELOW
- ◇ GX160U1QMX2: Model MVC-90H S/N N-5697 AND ABOVE

HONDA GX160K1QMX2/GX160U1QMX2 ENG.—CYLINDER BARREL ASSY.



HONDA GX160K1QMX2/GX160U1QMX2 ENG.—CYLINDER BARREL ASSY.

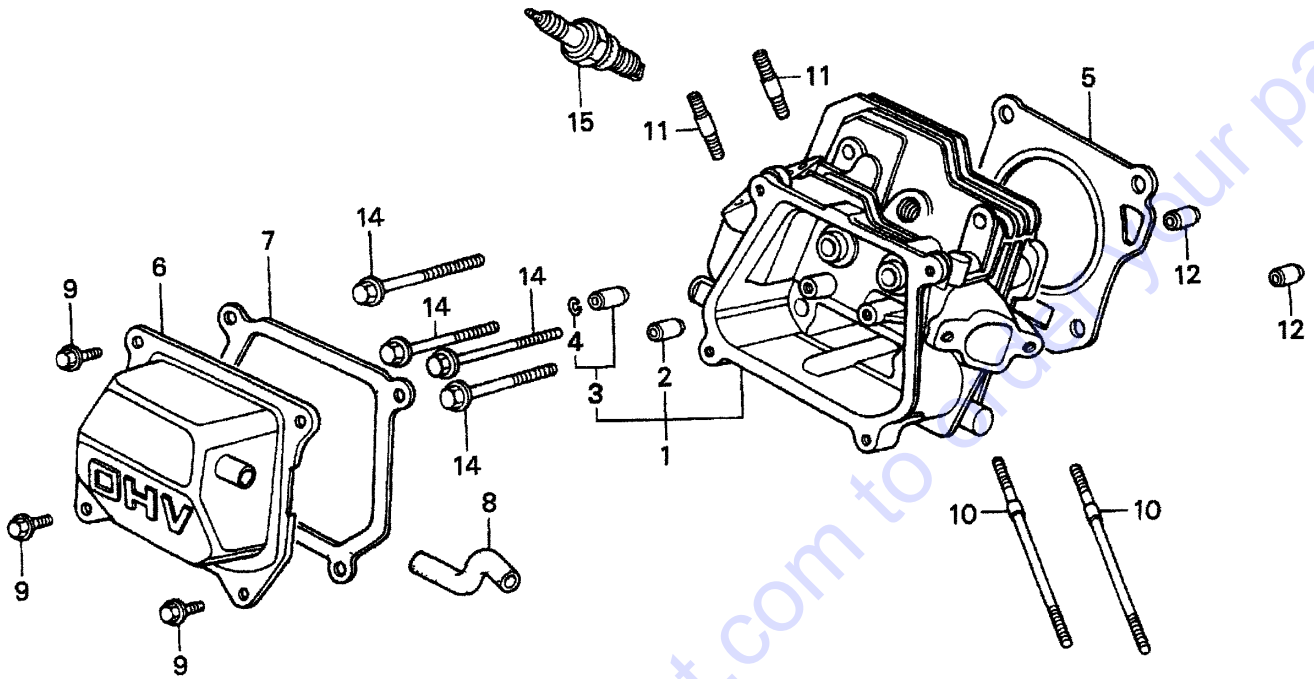
CYLINDER BARREL ASSY.

<u>NO.</u>	<u>PART NO.</u>	<u>PART NAME</u>	<u>QTY.</u>	<u>REMARKS</u>
2✘	12000ZH8811	CYLINDER ASSY. (OIL ALERT)	1.....	INCLUDES ITEMS W/@
2◇	12000ZH8426	CYLINDER ASSY. (OIL ALERT)	1.....	INCLUDES ITEMS W/%
3✘	15510ZE1023	SWITCH ASSY., OIL LEVEL.....	1.....	S/N 4367320 AND BELOW
3✘	15510ZE1033	SWITCH ASSY., OIL LEVEL.....	1.....	S/N 4367321 AND ABOVE
3◇	15510ZE1033	SWITCH ASSY., OIL LEVEL	1	
4	16510ZE1000	GOVERNOR ASSY.....	1.....	INCLUDES ITEMS W/#
5✘#	16511ZE1000	WEIGHT, GOVERNOR	2	
6#	16512ZE1000	HOLDER, GOVERNOR WEIGHT	1	
8	16531ZE1000	SLIDER, GOVERNOR	1	
10	90131ZE1000	BOLT, DRAIN PLUG	2	
11	90451ZE1000	WASHER, THRUST (6MM)	1	
12	90601ZE1000	WASHER, DRAIN PLUG (10.2MM)	2	
13	90602ZE1000	CLIP, GOVERNOR HOLDER	1	
14@%	91001ZF1003	BEARING, RADIAL BALL (6205)	1	
15✘@	91202883005	OIL SEAL (25 X 41 X 6)	1	
15◇%	91201Z0T801	OIL SEAL (25 X 41 X 6)	1	
16✘	91353671003	O-RING (13.5 X 1.5) (ARAI)	1	
16◇	91353671004	O-RING, 14MM	1	
17	9405010000	NUT, FLANGE (10MM)	1	
18	9410106800	WASHER, PLAIN (6MM)	2	
19	9425108000	PIN, LOCK (8MM)	1	
20	957010601200	BOLT, FLANGE (6 X 12)	2	

NOTICE

- ✘ GX160K1QMX2: Model MVC-90H S/N N-5696 AND BELOW
- ◇ GX160U1QMX2: Model MVC-90H S/N N-5697 AND ABOVE

HONDA GX160K1QMX2/GX160U1QMX2 ENG. — CYLINDER HEAD ASSY.



HONDA GX160K1QMX2/GX160U1QMX2 ENG. — CYLINDER HEAD ASSY.

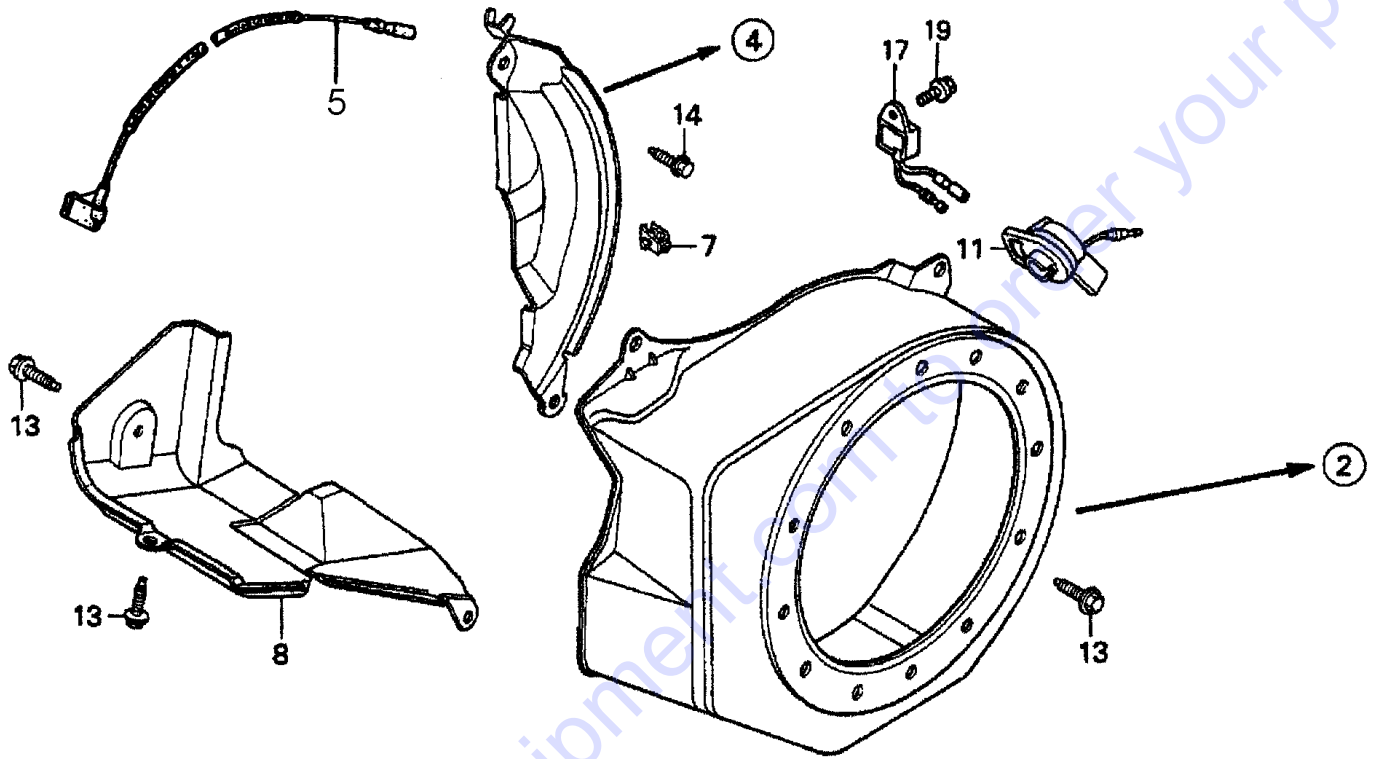
CYLINDER HEAD ASSY.

<u>NO.</u>	<u>PART NO.</u>	<u>PART NAME</u>	<u>QTY.</u>	<u>REMARKS</u>
1	12210ZH8000	CYLINDER HEAD.....	1.....	INCLUDES ITEMS W/@
1	12210ZH8405	CYLINDER HEAD.....	1.....	INCLUDES ITEMS W/+
2@+	12204ZE1306	GUIDE, VALVE (OS) (OPTIONAL)	1	
3@+	12205ZE1315	GUIDE, EX. VALVE (OS) (OPTIONAL)	1.....	INCLUDES ITEMS W/#
4@#+	12216ZE5300	CLIP, VALVE GUIDE	1	
5	12251ZF1800	GASKET, CYLINDER HEAD	1	
6	12310ZE1010	COVER, HEAD	1	
7	12391ZE1000	GASKET, CYLINDER HEAD COVER	1	
8	15721ZH8000	TUBE, BREATHER	1	
9	90016ZE1000	BOLT, FLANGE (6 X 13)	4	
10	90043ZE1020	BOLT, STUD (6 X 109)	2	
11	90047ZE1000	BOLT, STUD (8 X 32)	2	
12	9430110160	PIN A, DOWELL (10 X 16)	2	
14	957230806000	BOLT, FLANGE (8 X 60)	4	
15❖	9807955846	SPARK PLUG (BPR5ES) (NGK)	1	
15❖	9807956846	SPARK PLUG (BPR6ES) (NGK)	1	
15◇	0650140480	SPARK PLUG (EY45V)	1	

NOTICE

- ❖ GX160K1QMX2: Model MVC-90H S/N N-5696 AND BELOW
- ◇ GX160U1QMX2: Model MVC-90H S/N N-5697 AND ABOVE

HONDA GX160K1QMX2/GX160U1QMX2 ENG. — FAN COVER ASSY.



HONDA GX160K1QMX2/GX160U1QMX2 ENG. — FAN COVER ASSY.

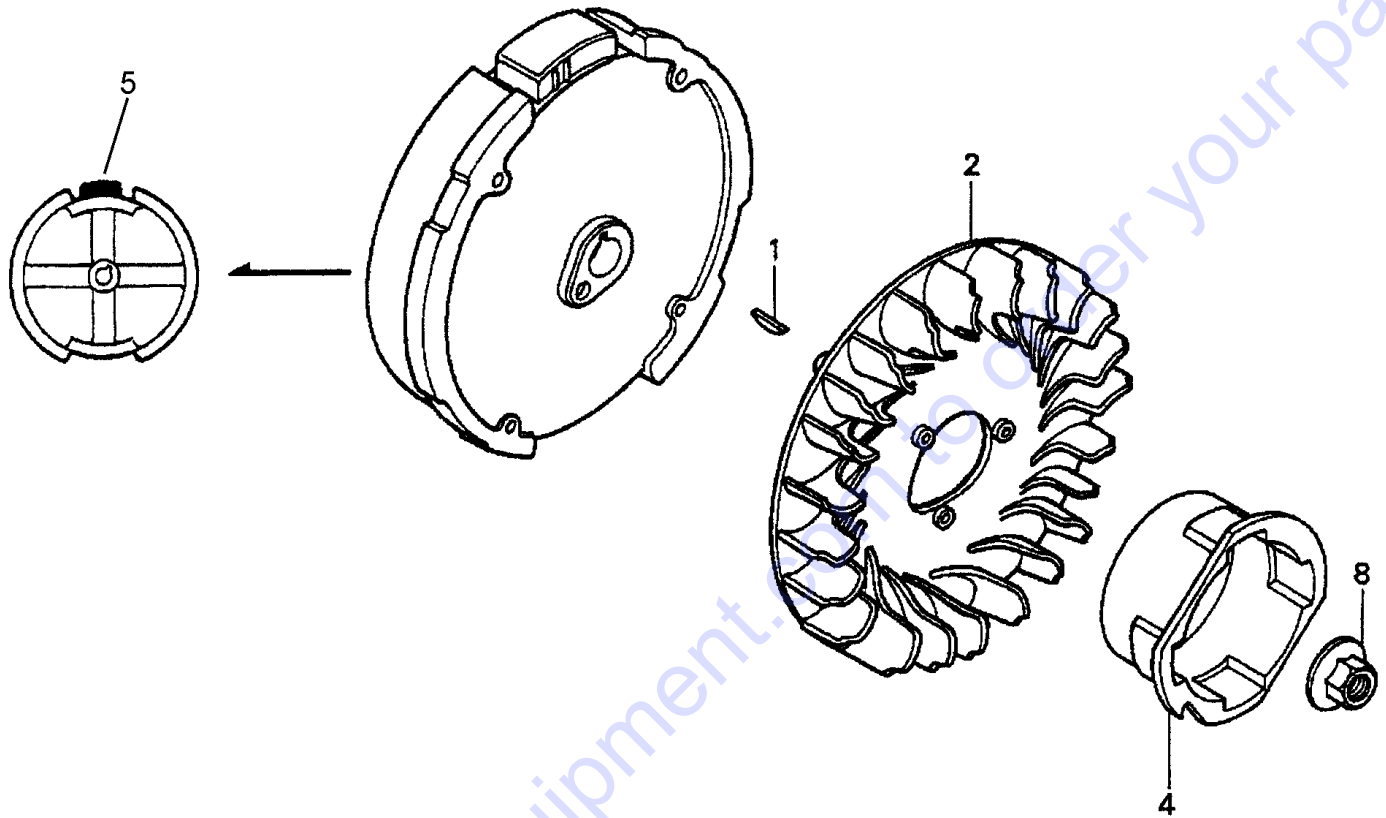
FAN COVER ASSY.

<u>NO.</u>	<u>PART NO.</u>	<u>PART NAME</u>	<u>QTY.</u>	<u>REMARKS</u>
2	19610ZE1000ZC	COVER, FAN *NH1* (BLACK)	1	
4	19612ZH8811	PLATE, SIDE (OIL ALERT)	1	
5◇	36101ZE1010	CORD, STOP SWITCH 370 MM	1	
7	90601ZH7013	CLIP, HARNESS	1	
8	19630ZH8000	SHROUD	1	
11✘	36100ZE1015	SWITCH ASSY., ENGINE STOP	1	S/N 4368640 AND BELOW
11✘	36100ZH7003	SWITCH ASSY., ENGINE STOP	1	S/N 4368641 AND ABOVE
11◇	36100ZF6P81	SWITCH ASSY., ENGINE STOP	1	
13	90013883000	BOLT, FLANGE (6 X 12) (CT200)	6	
14	90022888010	BOLT, FLANGE (6 X 20) (CT200)	1	
17	34150ZH7003	ALERT UNIT, OIL	1	
19	957010600800	BOLT, FLANGE (6 X 8)	1	

NOTICE

- ✘ GX160K1QMX2: Model MVC-90H S/N N-5696 AND BELOW
- ◇ GX160U1QMX2: Model MVC-90H S/N N-5697 AND ABOVE

HONDA GX160K1QMX2/GX160U1QMX2 ENG. — FLYWHEEL ASSY.



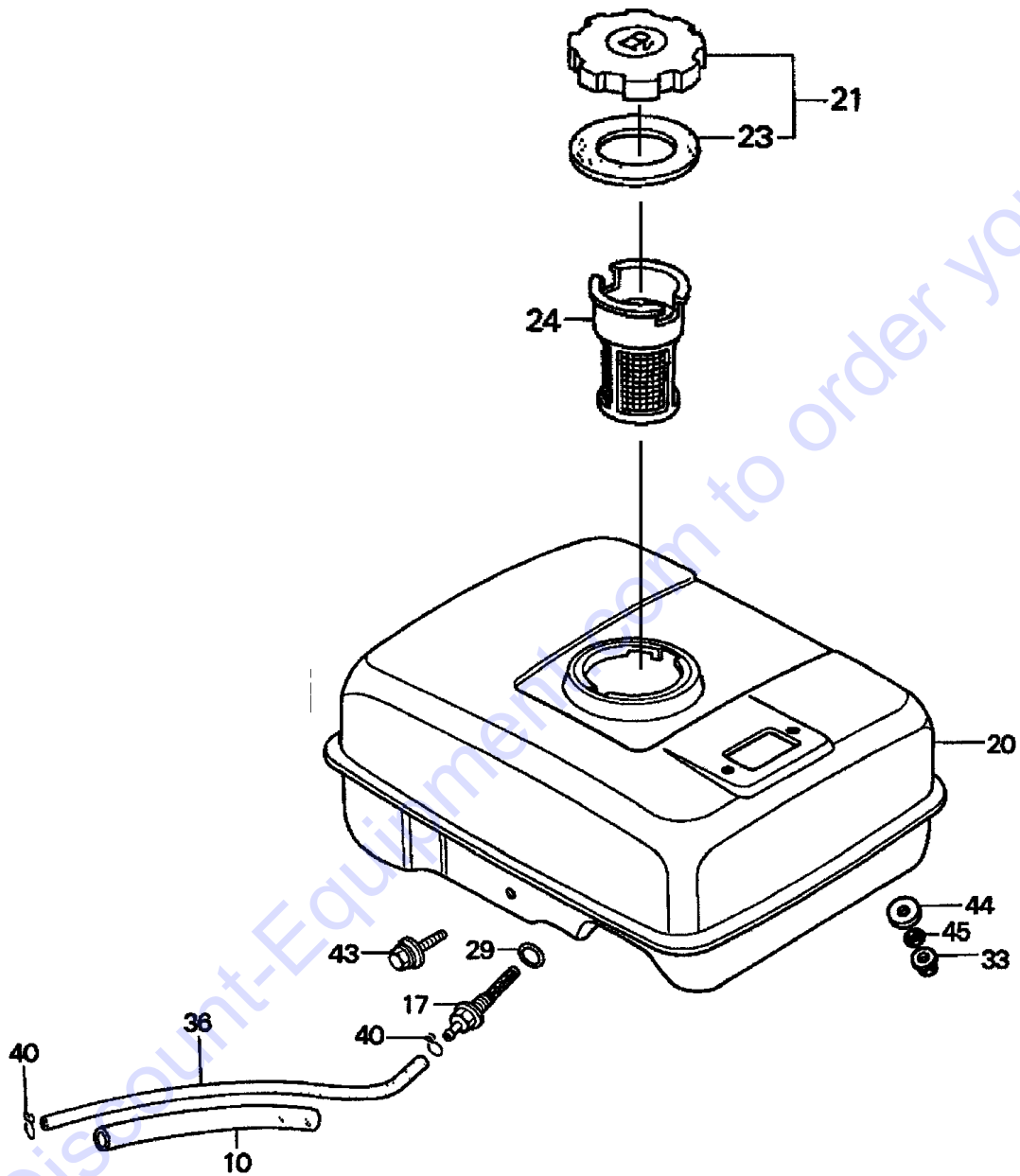
HONDA GX160K1QMX2/GX160U1QMX2 ENG. — FLYWHEEL ASSY.

FLYWHEEL ASSY.

<u>NO.</u>	<u>PART NO.</u>	<u>PART NAME</u>	<u>QTY.</u>	<u>REMARKS</u>
1	13331357000	KEY, SPECIAL WOODRUFF (25 X 18)	1	
2	19511ZE1000	FAN, COOLING	1	
4	28451ZH8003	PULLEY, STARTER	1	
5	31100ZE1010	FLYWHEEL	1	
8	90201878003	NUT, SPECIAL (14MM)	1	

Go to Discount-Equipment.com to order your parts

HONDA GX160K1QMX2/GX160U1QMX2 ENG. — FUEL TANK ASSY.



HONDA GX160K1QMX2/GX160U1QMX2 ENG. — FUEL TANK ASSY.

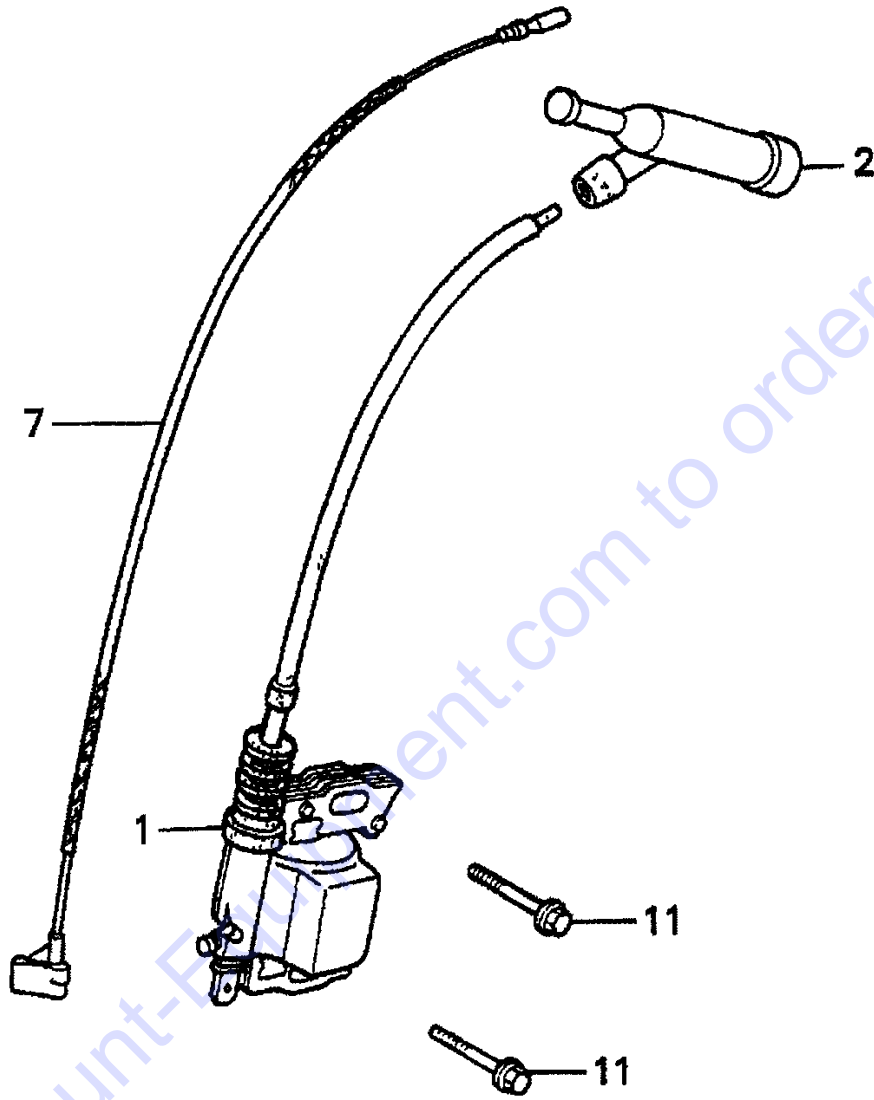
FUEL TANK ASSY.

<u>NO.</u>	<u>PART NO.</u>	<u>PART NAME</u>	<u>QTY.</u>	<u>REMARKS</u>
10	16854ZH8000	RUBBER, SUPPORTER (107MM)	1	
17	16955ZE1000	JOINT, FUEL TANK	1	
20	17510ZE1020ZF	TANK, FUEL *NH1* (BLACK)	1	
21✘	17620ZH7023	CAP, FUEL FILLER (BLACK).....	1	INCLUDES ITEMS W/@
21◇	17620Z0T305	CAP, FUEL FILLER.....	1	INCLUDES ITEMS W/#
23✘@	17631ZH7003	GASKET, FUEL FILLER CAP	1	
23◇#	17631Z0T812	GASKET, FUEL FILLER CAP	1	
24	17672ZE2W01	FILTER, FUEL	1	
29✘	91353671003	O-RING (13.5 X 1.5) (ARAI)	1	
29◇	91353671004	O-RING 14MM	1	
33	9405006000	NUT, FLANGE (6MM)	2	
36✘	950014500360M	BULK HOSE, FUEL (4.5 X 3000) (4.5 X 140)	1	
36◇	950014514040	BULK HOSE, FUEL 4.5X140	1	
36◇	950014500160M	BULK HOSE, FUEL 4.5X1M	1	
40	9500202080	CLIP, TUBE (B8)	2	
43✘	957010602500	BOLT, FLANGE (6 X 25)	1	
43◇	90004ZH7003	BOLT, FLANGE (6 X 29)	1	
44✘	90404680000	WASHER	2	S/N 6745959 AND ABOVE
44◇	90404680000	WASHER	2	
45✘	91319ME5003	O-RING.....	2	S/N 6745959 AND ABOVE
45◇	91319ME5003	O-RING	2	

NOTICE

- ✘ GX160K1QMX2: Model MVC-90H S/N N-5696 AND BELOW
- ◇ GX160U1QMX2: Model MVC-90H S/N N-5697 AND ABOVE

HONDA GX160K1QMX2/GX160U1QMX2 ENG. — IGNITION COIL ASSY.



HONDA GX160K1QMX2/GX160U1QMX2 ENG. — IGNITION COIL ASSY.

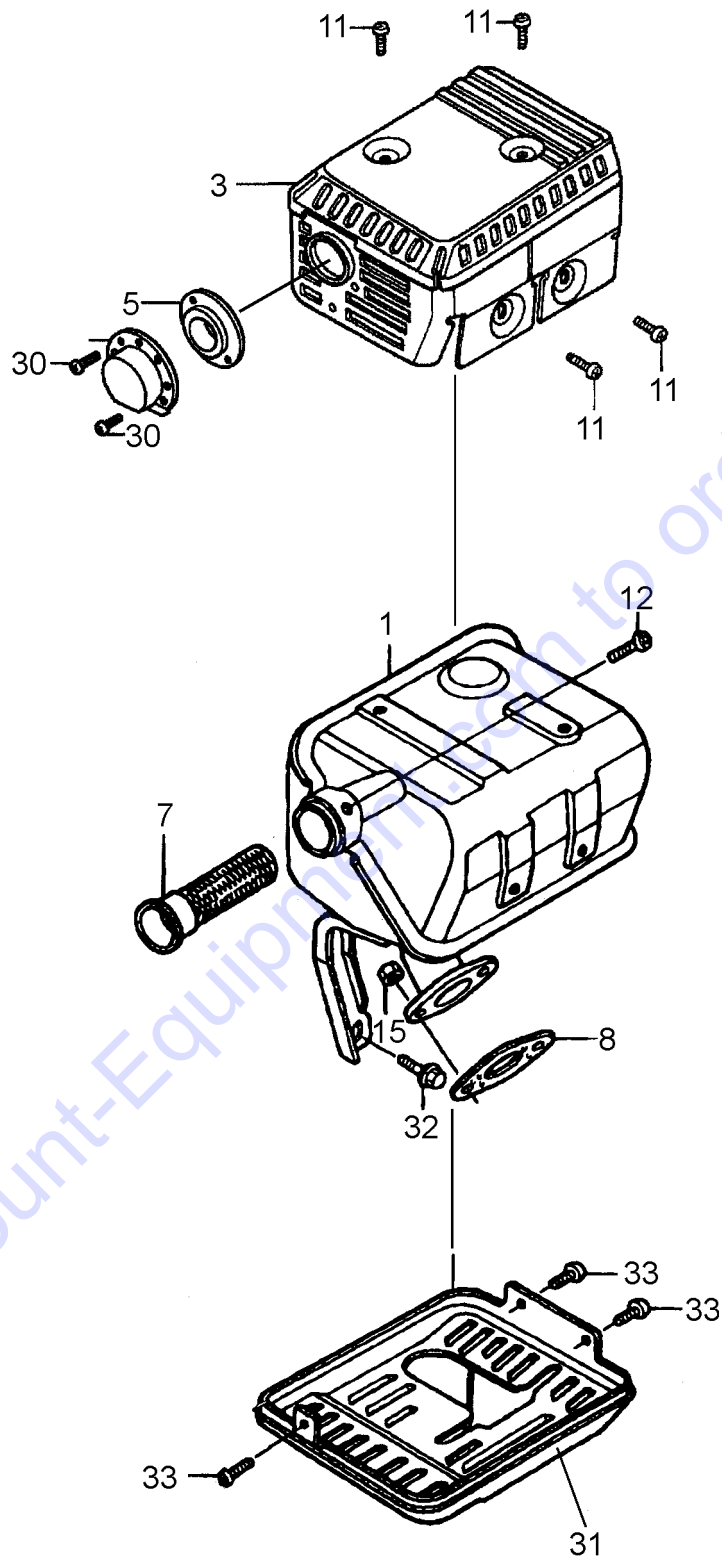
IGNITION COIL ASSY.

<u>NO.</u>	<u>PART NO.</u>	<u>PART NAME</u>	<u>QTY.</u>	<u>REMARKS</u>
1✖	30500ZE1033	COIL ASSY., IGNITION	1	
1◇	30500ZE1063	COIL ASSY., IGNITION	1	
2	30700ZE1013	CAP ASSY., NOISE SUPPRESSOR	1	
7	36101ZE1010	WIRE, STOP SWITCH (370MM)	1	
11	90121952000	BOLT, FLANGE (6 X 25)	2	

NOTICE

- ✖ GX160K1QMX2: Model MVC-90H S/N N-5696 AND BELOW
- ◇ GX160U1QMX2: Model MVC-90H S/N N-5697 AND ABOVE

HONDA GX160K1QMX2/GX160U1QMX2 ENG. — MUFFLER ASSY.



HONDA GX160K1QMX2/GX160U1QMX2 ENG. — MUFFLER ASSY.

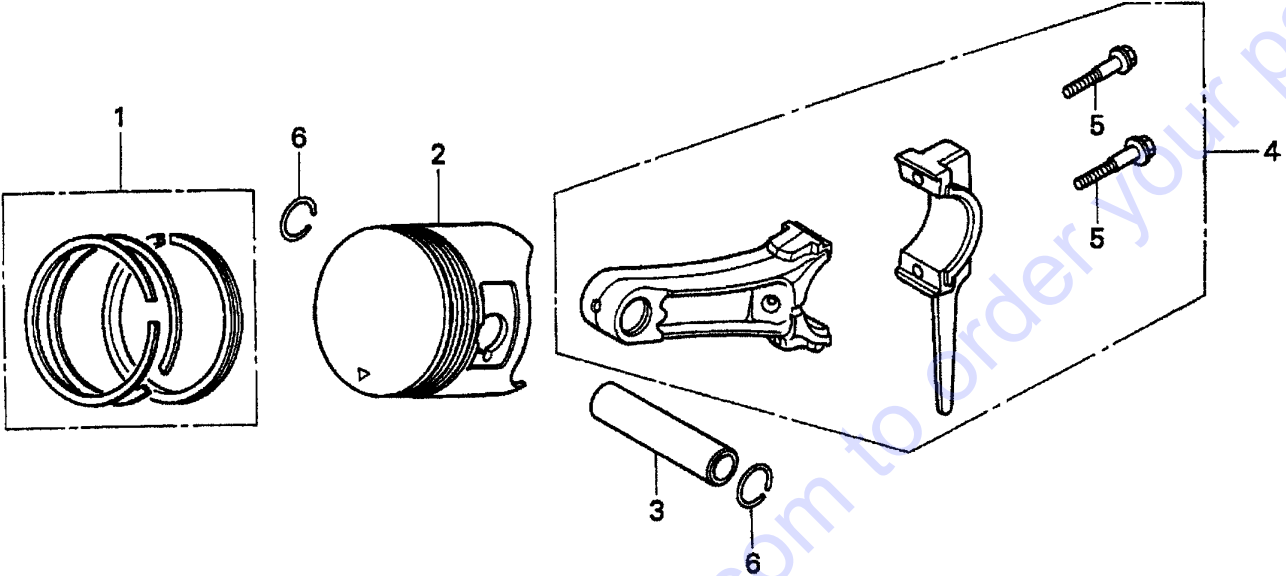
MUFFLER ASSY.

<u>NO.</u>	<u>PART NO.</u>	<u>PART NAME</u>	<u>QTY.</u>	<u>REMARKS</u>
1✖	18310ZH8810	MUFFLER (ARRESTOR).....	1.....	S/N 6745958 AND BELOW
1✖	18310ZK8V50	MUFFLER	1.....	S/N 6745959 AND ABOVE
1◇	18310ZK8V50	MUFFLER	1	
3	18320ZF1H01	PROTECTOR, MUFFLER	1	
5✖	18331883810	CAP, MUFFLER	1	
5◇	18340ZE1010	CAP, MUFFLER	1	
7	18355ZE1000	ARRESTER, SPARK	1	
8	18381ZH8800	GASKET, MUFFLER	1	
11	90050ZE1000	SCREW, TAPPING (5 X 8)	4	
12	90055ZE1000	SCREW, TAPPING (4 X 6)	1	
13	18522ZE1000	GUIDE, MUFFLER	1	
15	94001080000S	NUT, HEX (8MM)	2	
30	90002ZG0003	SCREW, TAPPING (4 X 8)	2	
31◇	18325ZE1010	PROTECTOR, LOWER	1	
32◇	90016ZE1000	BOLT, FLANGE 6X13	1	
33◇	90055ZE1000	SCREW, TAPPING 4X6	4	

NOTICE

- ✖ GX160K1QMX2: Model MVC-90H S/N N-5696 AND BELOW
- ◇ GX160U1QMX2: Model MVC-90H S/N N-5697 AND ABOVE

HONDA GX160K1QMX2/GX160U1QMX2 ENG. — PISTON ASSY.



Go to Discount-Equipment.com to order your parts

HONDA GX160K1QMX2/GX160U1QMX2 ENG. — PISTON ASSY.

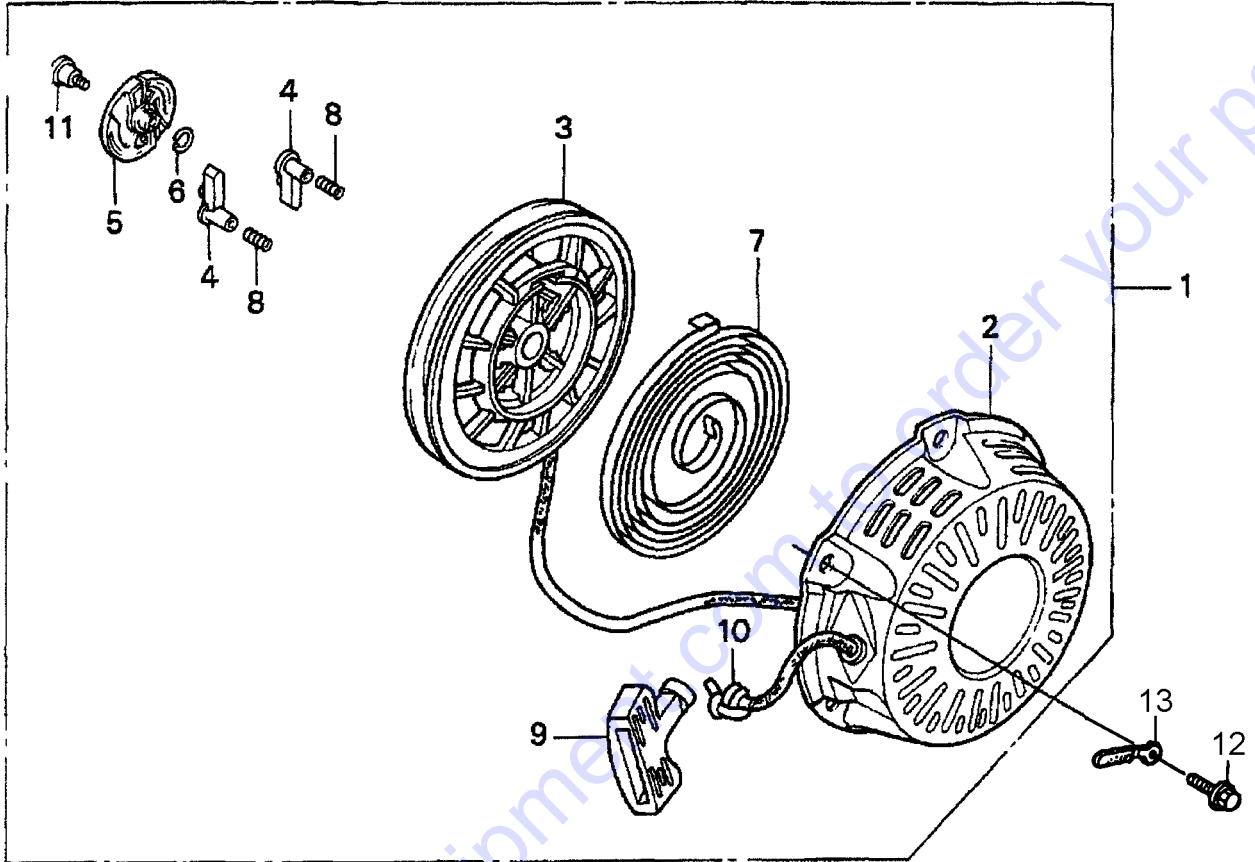
PISTON ASSY.

NO.	PART NO.	PART NAME	QTY.	REMARKS
1✘	13010ZF1023	RING SET, PISTON (STD).....	1.....	S/N 5495899 AND BELOW
1✘	13010ZH8941	RING SET, PISTON (STD).....	1.....	S/N 5495900~7603338
1✘	13010ZL0003	RING SET, PISTON (STD).....	1.....	S/N 7603339 AND ABOVE
1◇	13010ZL0003	RING SET, PISTON (STD)	1	
1✘	13011ZF1023	RING SET, PISTON (OS 0.25).....	1.....	S/N 5495899 AND BELOW
1✘	13011ZH8941	RING SET, PISTON (OS 0.25).....	1.....	S/N 5495900~7603338
1✘	13011ZL0003	RING SET, PISTON (OS 0.25).....	1.....	S/N 7603339 AND ABOVE
1◇	13011ZL0003	RING SET, PISTON (OS 0.25)	1	
1✘	13012ZF1023	RING SET, PISTON (OS 0.50).....	1.....	S/N 5495899 AND BELOW
1✘	13012ZH8941	RING SET, PISTON (OS 0.50).....	1.....	S/N 5495900~7603338
1✘	13012ZL0003	RING SET, PISTON (OS 0.50).....	1.....	S/N 7603339 AND ABOVE
1✘	13013ZF1023	RING SET, PISTON (OS 0.75).....	1.....	S/N 5495899 AND BELOW
1✘	13013ZH8941	RING SET, PISTON (OS 0.75).....	1.....	S/N 5495900~7603338
1✘	13013ZL0003	RING SET, PISTON (OS 0.75).....	1.....	S/N 7603339 AND ABOVE
1◇	13013ZL0003	RING SET, PISTON (OS 0.75)	1	
2✘	13101ZH8000	PISTON (STD)	1.....	S/N 7603338 AND BELOW
2✘	13101ZH8010	PISTON (STD)	1.....	S/N 7603339 AND ABOVE
2◇	13101ZH8010	PISTON (STD)	1	
2✘	13102ZH8000	PISTON (OS 0.25)	1.....	S/N 7603338 AND BELOW
2✘	13102ZH8010	PISTON (OS 0.25)	1.....	S/N 7603339 AND ABOVE
2◇	13102ZH8010	PISTON (OS 0.25)	1	
2✘	13103ZH8000	PISTON (OS 0.50)	1.....	S/N 7603338 AND BELOW
2✘	13103ZH8010	PISTON (OS 0.50)	1.....	S/N 7603339 AND ABOVE
2◇	13103ZH8010	PISTON (OS 0.50)	1	
2✘	13104ZH8000	PISTON (0.75)	1.....	S/N 7603338 AND BELOW
2✘	13104ZH8010	PISTON (0.75)	1.....	S/N 7603339 AND ABOVE
2◇	13104ZH8010	PISTON (0.75)	1	
3	13111ZE1000	PIN, PISTON	1	
4	13200ZE1010	ROD ASSY., CONNECTING.....	1.....	INCLUDES ITEM W/@
5@	90001ZE1000	BOLT, CONNECTING ROD	2	
6	90551ZE1000	CLIP, PISTON PIN (18MM)	2	

NOTICE

- ✘ GX160K1QMX2: Model MVC-90H S/N N-5696 AND BELOW
- ◇ GX160U1QMX2: Model MVC-90H S/N N-5697 AND ABOVE

HONDA GX160K1QMX2/GX160U1QMX2 ENG. — RECOIL STARTER ASSY.



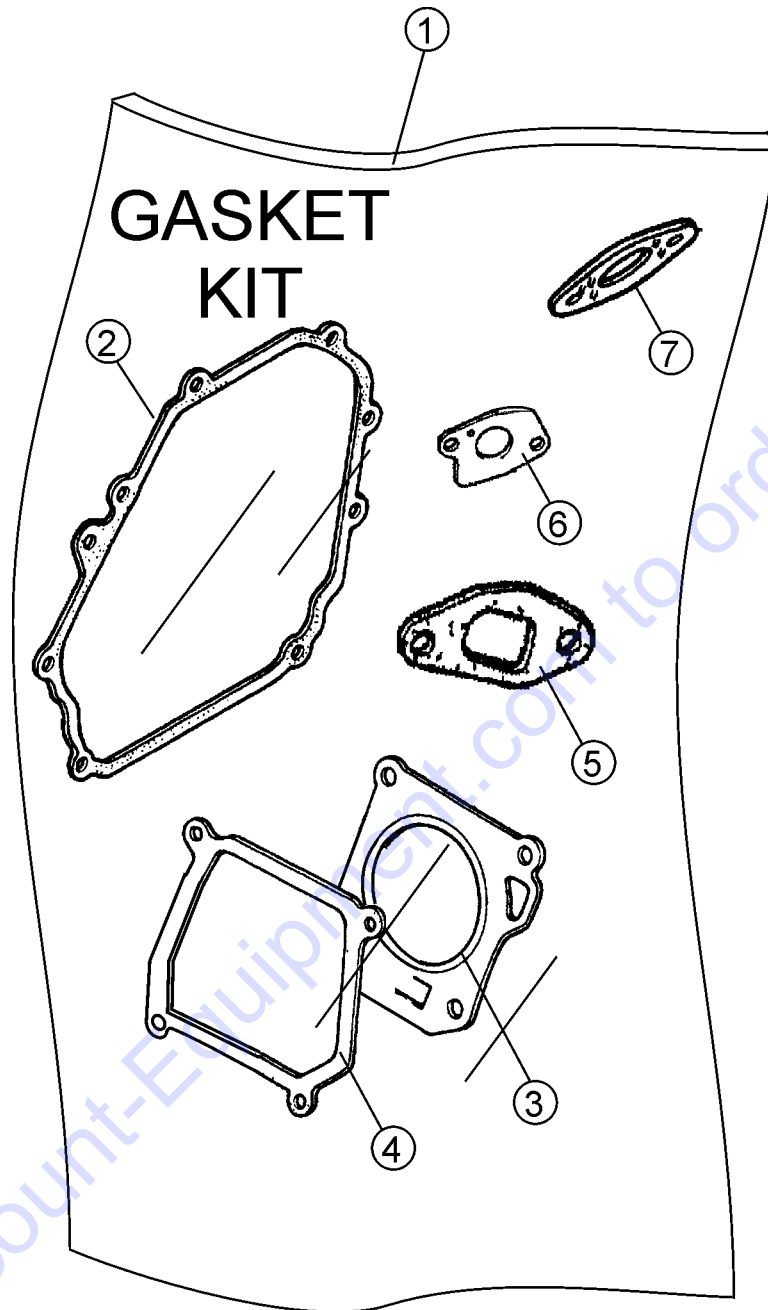
HONDA GX160K1QMX2/GX160U1QMX2 ENG. — RECOIL STARTER ASSY.

RECOIL STARTER ASSY.

NO.	PART NO.	PART NAME	QTY.	REMARKS
1✖	28400ZH8013ZB	STARTER ASSY., RECOIL "NH1"(BLACK)	1	INCLUDES ITEMS W/@
1◇	28400ZH8023ZB	STARTER ASSY., RECOIL	1	INCLUDES ITEMS W/%
2@%	28410ZH8003ZB	CASE, RECOIL STARTER "NH1"(BLACK)	1	
3✖@%	28420ZH8013	REEL, RECOIL STARTER	1	
3◇@%	28421ZH8801	REEL, RECOIL STARTER	1	
4✖@%	28422ZH8013	RATCHET, STARTER	2	
4◇@%	28422ZH8801	RATCHET, STARTER	2	
5@%	28433ZH8003	GUIDE, RATCHET	1	
6✖@%	28441ZH8003	SPRING, FRICTION	1	
6◇@%	28441ZH8801	SPRING, FRICTION	1	
7@%	28442ZH8003	SPRING, RECOIL STARTER	1	
8✖@%	28443ZH8003	SPRING, RETURN	2	
8◇@%	28443ZH8801	SPRING, RETURN	2	
9@%	28461ZH8003	KNOB, RECOIL STARTER	1	
10@%	28462ZH8003	ROPE, RECOIL STARTER	1	
11✖@%	90003ZH8003	SCREW, SETTING	1	
11◇@%	90003ZH8801	SCREW, SETTING	1	
12	90008ZE2003	BOLT, FLANGE (6 X 10)	3	
13◇	32901MA1000	CLIP, CORD	1	

NOTICE

- ✖ GX160K1QMX2: Model MVC-90H S/N N-5696 AND BELOW
- ◇ GX160U1QMX2: Model MVC-90H S/N N-5697 AND ABOVE



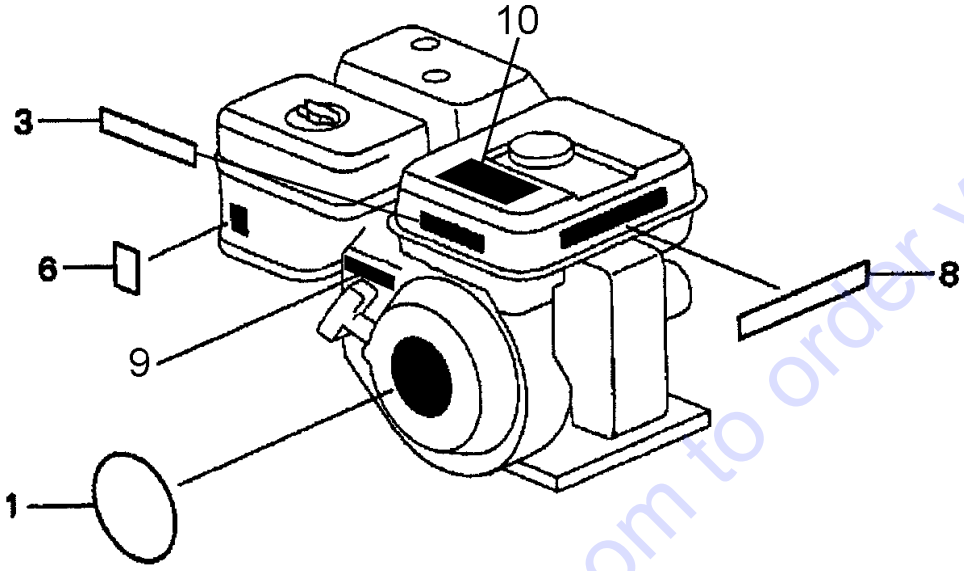
HONDA GX160K1QMX2/GX160U1QMX2 ENG. — GASKET KIT ASSY.

GASKET KIT ASSY.

<u>NO.</u>	<u>PART NO.</u>	<u>PART NAME</u>	<u>QTY.</u>	<u>REMARKS</u>
1	06111ZH8405	GASKET KIT.....	1.....	INCLUDES ITEMS W/@
2@	11381ZH8801	GASKET, CASE COVER	1	
3@	12251ZF1800	GASKET, CYLINDER HEAD	1	
4@	12391ZE1000	GASKET, CYLINDER HEAD COVER	1	
5@	16212ZH8800	GASKET, INSULATOR	1	
6@	16221ZH8801	GASKET, CARBURETOR	1	
7@	18381ZH8800	GASKET, MUFFLER	1	

Go to Discount-Equipment.com to order your parts

HONDA GX160K1QMX2/GX160U1QMX2 ENG. — LABELS ASSY.



Go to Discount-Equipment.com to order your parts

HONDA GX160K1QMX2/GX160U1QMX2 ENG. — LABELS ASSY.

LABELS ASSY.

<u>NO.</u>	<u>PART NO.</u>	<u>PART NAME</u>	<u>QTY.</u>	<u>REMARKS</u>
1✘	87521ZH8010	EMBLEM (5.5)	1.....	S/N 7438467 AND BELOW
1✘	87521ZH8020	EMBLEM (5.5)	1.....	S/N 7438468 ~8367036
1✘	87521ZH8030	EMBLEM (5.5)	1.....	S/N 8367036 AND ABOVE
1◇	87521ZH8030	EMBLEM (5.5)	1	
3	87522ZH9010	LABEL, CAUTION	1	
6✘	87528ZE1810	MARK, CHOKE	1	
6◇	57528ZH7000	MARK, CHOKE (GRAY)	1	
8	87532ZH8810	MARK, OIL ALERT (E)	1	
9◇	87532ZH7000	MARK, THROTTLE INDICATION	1	
10◇	87516ZH7000	MARK, OPERATOR CAUTION ENGLISH	1	

NOTICE

- ✘ GX160K1QMX2: Model MVC-90H S/N N-5696 AND BELOW
- ◇ GX160U1QMX2: Model MVC-90H S/N N-5697 AND ABOVE

PARTS FINDER

**Search Website
by Part Number**



**Search Manual
Library For Parts
Manual & Lookup Part
Numbers – Purchase
or Request Quote**

Search Manuals

Enter your information to help us find the right parts manual for your machine.

* Brand:

* Model:

* Serial:

* Part Number:

SEARCH

**Can't Find Part or
Manual? Request Help
by Manufacturer,
Model & Description**

Parts Order Form

Please fill in the following information to help us find the right part for your machine.

Manufacturer:	<input type="text"/>
Model:	<input type="text"/>
Description:	<input type="text"/>
Part Number:	<input type="text"/>
Quantity:	<input type="text"/>
Notes:	<input type="text"/>

Discount-Equipment.com is your online resource for quality parts & equipment.

Florida: **561-964-4949** Outside Florida TOLL FREE: **877-690-3101**

Need parts?

Click on this link: <http://www.discount-equipment.com/category/5443-parts/> and choose one of the options to help get the right parts and equipment you are looking for. Please have the machine model and serial number available in order to help us get you the correct parts. If you don't find the part on the website or on one of the online manuals, please fill out the request form and one of our experienced staff members will get back to you with a quote for the right part that your machine needs.

We sell worldwide for the brands: Genie, Terex, JLG, MultiQuip, Mikasa, Essick, Whiteman, Mayco, Toro Stone, Diamond Products, Generac Magnum, Airman, Haulotte, Barreto, Power Blanket, Nifty Lift, Atlas Copco, Chicago Pneumatic, Allmand, Miller Curber, Skyjack, Lull, Skytrak, Tsurumi, Husquvarna Target, Stow, Wacker, Sakai, Mi-T-M, Sullair, Basic, Dynapac, MBW, Weber, Bartell, Bennar Newman, Haulotte, Ditch Runner, Menegotti, Morrison, Contec, Buddy, Crown, Edco, Wyco, Bomag, Laymor, EZ Trench, Bil-Jax, F.S. Curtis, Gehl Pavers, Heli, Honda, ICS/PowerGrit, IHI, Partner, Imer, Clipper, MMD, Koshin, Rice, CH&E, General Equipment, Amida, Coleman, NAC, Gradall, Square Shooter, Kent, Stanley, Tamco, Toku, Hatz, Kohler, Robin, Wisconsin, Northrock, Oztec, Toker TK, Rol-Air, APT, Wylie, Ingersoll Rand / Doosan, Innovatech, Con X, Ammann, Mecalac, Makinex, Smith Surface Prep, Small Line, Wanco, Yanmar