

PARTS MANUAL



Mikasa SERIES
MODEL MVC64VH/VHW
ONE-WAY PLATE COMPACTOR
(HONDA GX120U1SM12 GASOLINE ENGINE)

Revision #4 (06/08/20)



THIS MANUAL MUST ACCOMPANY THE EQUIPMENT AT ALL TIMES.

PARTS FINDER

**Search Website
by Part Number**



**Search Manual
Library For Parts
Manual & Lookup Part
Numbers – Purchase
or Request Quote**

Search Manuals

Enter your information to help us find the right parts manual for your machine.

* Brand:

* Model:

* Serial:

* Part Number:

SEARCH

**Can't Find Part or
Manual? Request Help
by Manufacturer,
Model & Description**

Parts Order Form

Please fill in the following information to help us find the right part for your machine.

| | |
|---------------|----------------------|
| Manufacturer: | <input type="text"/> |
| Model: | <input type="text"/> |
| Description: | <input type="text"/> |
| Part Number: | <input type="text"/> |
| Quantity: | <input type="text"/> |
| Notes: | <input type="text"/> |

Submit

Discount-Equipment.com is your online resource for quality parts & equipment.

Florida: **561-964-4949** Outside Florida TOLL FREE: **877-690-3101**

Need parts?

Click on this link: <http://www.discount-equipment.com/category/5443-parts/> and choose one of the options to help get the right parts and equipment you are looking for. Please have the machine model and serial number available in order to help us get you the correct parts. If you don't find the part on the website or on one of the online manuals, please fill out the request form and one of our experienced staff members will get back to you with a quote for the right part that your machine needs.

We sell worldwide for the brands: Genie, Terex, JLG, MultiQuip, Mikasa, Essick, Whiteman, Mayco, Toro Stone, Diamond Products, Generac Magnum, Airman, Haulotte, Barreto, Power Blanket, Nifty Lift, Atlas Copco, Chicago Pneumatic, Allmand, Miller Curber, Skyjack, Lull, Skytrak, Tsurumi, Husquvarna Target, Stow, Wacker, Sakai, Mi-T-M, Sullair, Basic, Dynapac, MBW, Weber, Bartell, Bennar Newman, Haulotte, Ditch Runner, Menegotti, Morrison, Contec, Buddy, Crown, Edco, Wyco, Bomag, Laymor, EZ Trench, Bil-Jax, F.S. Curtis, Gehl Pavers, Heli, Honda, ICS/PowerGrit, IHI, Partner, Imer, Clipper, MMD, Koshin, Rice, CH&E, General Equipment, Amida, Coleman, NAC, Gradall, Square Shooter, Kent, Stanley, Tamco, Toku, Hatz, Kohler, Robin, Wisconsin, Northrock, Oztec, Toker TK, Rol-Air, APT, Wylie, Ingersoll Rand / Doosan, Innovatech, Con X, Ammann, Mecalac, Makinex, Smith Surface Prep, Small Line, Wanco, Yanmar

TABLE OF CONTENTS

MVC64VH/VHW

Plate Compactor

| | |
|--|---|
| Explanation Of Code In Remarks Column..... | 4 |
| Suggested Spare Parts | 5 |

Compactor Component Drawings

| | |
|---|-------|
| Nameplates And Decals | 6-7 |
| Body Assembly | 8-9 |
| Vibrator Assembly | 10-11 |
| Water Tank Assembly (MVC64VHW Only) | 12-13 |

HONDA GX120U1SM12 Engine

| | |
|--------------------------------|-------|
| Cylinder Head Assembly | 14-15 |
| Cylinder Barrel Assembly | 16-17 |
| Crankcase Cover Assembly | 18-19 |
| Crankshaft Assembly..... | 20-21 |
| Piston Assembly | 22-23 |
| Camshaft Assembly..... | 24-25 |
| Recoil Starter Assembly | 26-27 |
| Fan Cover Assembly..... | 28-29 |
| Carburetor Assembly | 30-31 |
| Air Cleaner Assembly..... | 32-33 |
| Muffler Assembly | 34-35 |
| Fuel Tank Assembly..... | 36-37 |
| Flywheel Assembly | 38-39 |
| Ignition Coil Assembly..... | 40-41 |
| Control Assembly | 42-43 |
| Decals Assembly | 44-45 |

NOTICE

Specifications and part numbers are subject to change without notice.

EXPLANATION OF CODE IN REMARKS COLUMN

The following section explains the different symbols and remarks used in the Parts section of this manual. Use the help numbers found on the back page of the manual if there are any questions.

NOTICE

The contents and part numbers listed in the parts section are subject to change **without notice**. Multiquip does not guarantee the availability of the parts listed.

SAMPLE PARTS LIST

| NO. | PART NO. | PART NAME | QTY. | REMARKS |
|-----|----------|----------------------|------|---------------------|
| 1 | 12345 | BOLT | 1 | INCLUDES ITEMS W/% |
| 2% | | WASHER, 1/4 IN. | | NOT SOLD SEPARATELY |
| 2% | 12347 | WASHER, 3/8 IN. ... | 1 | MQ-45T ONLY |
| 3 | 12348 | HOSE | A/R | MAKE LOCALLY |
| 4 | 12349 | BEARING | 1 | S/N 2345B AND ABOVE |

NO. Column

Unique Symbols — All items with same unique symbol (@, #, +, %, or >) in the number column belong to the same assembly or kit, which is indicated by a note in the “Remarks” column.

Duplicate Item Numbers — Duplicate numbers indicate multiple part numbers, which are in effect for the same general item, such as different size saw blade guards in use or a part that has been updated on newer versions of the same machine.

NOTICE

When ordering a part that has more than one item number listed, check the remarks column for help in determining the proper part to order.

PART NO. Column

Numbers Used — Part numbers can be indicated by a number, a blank entry, or TBD.

TBD (To Be Determined) is generally used to show a part that has not been assigned a formal part number at the time of publication.

A blank entry generally indicates that the item is not sold separately or is not sold by Multiquip. Other entries will be clarified in the “Remarks” Column.

QTY. Column

Numbers Used — Item quantity can be indicated by a number, a blank entry, or A/R.

A/R (As Required) is generally used for hoses or other parts that are sold in bulk and cut to length.

A blank entry generally indicates that the item is not sold separately. Other entries will be clarified in the “Remarks” Column.

REMARKS Column

Some of the most common notes found in the “Remarks” Column are listed below. Other additional notes needed to describe the item can also be shown.

Assembly/Kit — All items on the parts list with the same unique symbol will be included when this item is purchased.

Indicated by:

“INCLUDES ITEMS W/(unique symbol)”

Serial Number Break — Used to list an effective serial number range where a particular part is used.

Indicated by:

“S/N XXXXX AND BELOW”

“S/N XXXX AND ABOVE”

“S/N XXXX TO S/N XXX”

Specific Model Number Use — Indicates that the part is used only with the specific model number or model number variant listed. It can also be used to show a part is NOT used on a specific model or model number variant.

Indicated by:

“XXXXX ONLY”

“NOT USED ON XXXX”

“Make/Obtain Locally” — Indicates that the part can be purchased at any hardware shop or made out of available items. Examples include battery cables, shims, and certain washers and nuts.

“Not Sold Separately” — Indicates that an item cannot be purchased as a separate item and is either part of an assembly/kit that can be purchased, or is not available for sale through Multiquip.

SUGGESTED SPARE PARTS

MVC64VH/VHW PLATE COMPACTOR 1 to 5 units

| Qty. | P/N | Description |
|------|-----------|----------------|
| 3 | 070100312 | V-BELT |
| 4 | 939010250 | SHOCK ABSORBER |

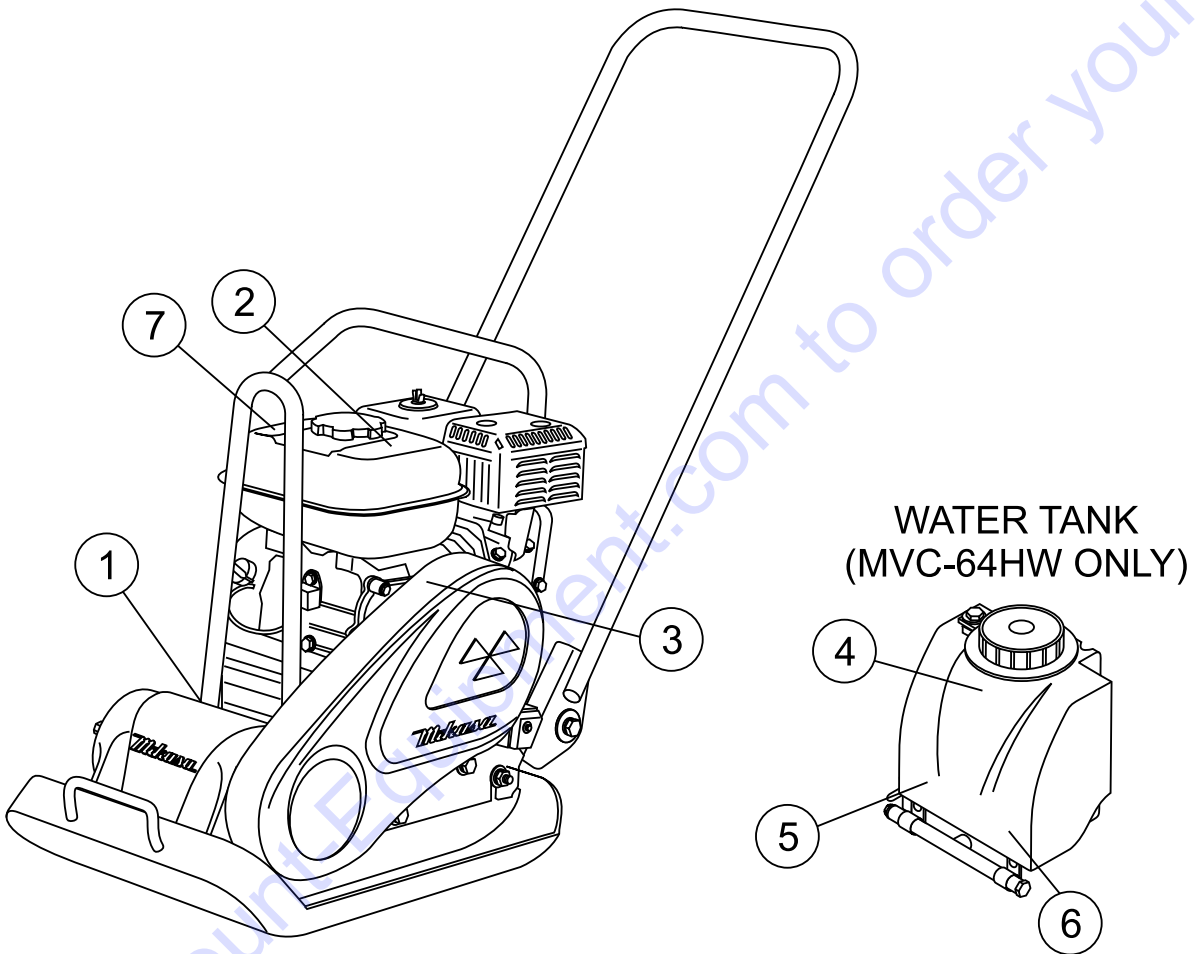
HONDA GX120U1SM12 ENGINE 1 to 5 units

| Qty. | P/N | Description |
|------|-------------|------------------------|
| 3 | 9807956846 | SPARK PLUG |
| 1 | 28462ZH8003 | ROPE, RECOIL STARTER |
| 3 | 17210ZE0822 | ELEMENT, AIR CLEANER |
| 1 | 17620ZH7023 | CAP, FUEL TANK |
| 1 | 17672ZE2W01 | FUEL FILTER, FUEL TANK |

NOTICE

Part numbers on this Suggested Spare Parts list may supersede/replace the part numbers shown in the following parts lists.

NAMEPLATES AND DECALS

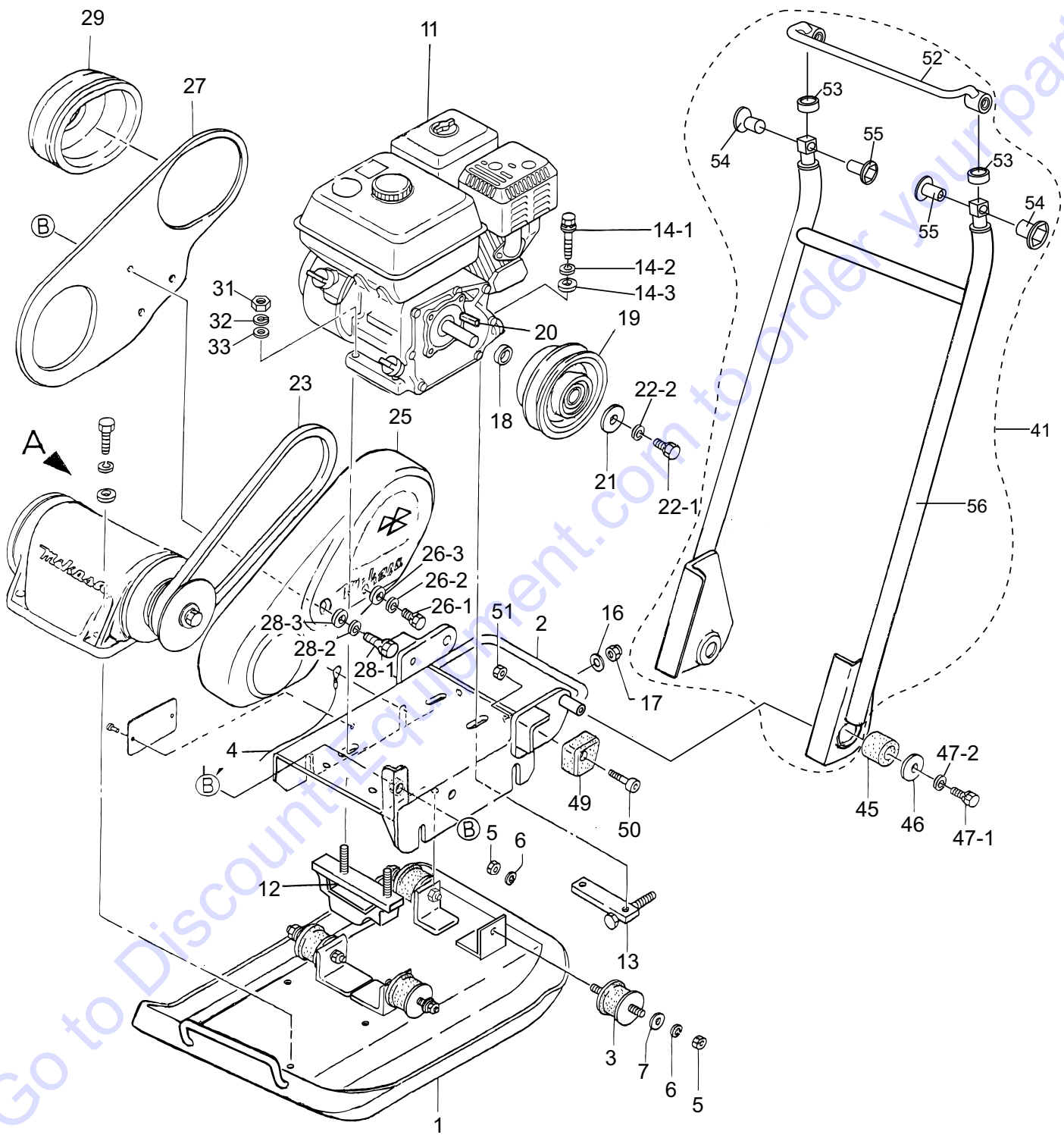


NAMEPLATES AND DECALS

| <u>NO.</u> | <u>PART NO.</u> | <u>PART NAME</u> | <u>QTY.</u> | <u>REMARKS</u> |
|------------|-----------------|---------------------------------|-------------|-----------------------------|
| 1 | | PLATE, MODEL/SERIAL NUMBER..... | 1 | CONTACT DISCOUNT-EQUIPMENT. |
| 2 | 920203290 | DECAL, READ OWNERS MANUAL..... | 1 | NPA-329 |
| 3 | 920203989 | DECAL, BELT GUARD WARNING..... | 1 | NPA-989 |
| 4 | 920101410 | DECAL: MIKASA MARK 120X60..... | 1 | WATER TANK |
| 5 | 920201580 | DECAL: MQ MARK 71X55..... | 1 | MQ/WATER TANK |
| 6 | 920105070 | DECAL: MIKASA MARK 125MM..... | 1 | WATER TANK |
| 7 | 920212320 | DECAL: CAUTION REFUELING..... | 1 | NPA-1232 |

Go to Discount-Equipment.com to order your parts

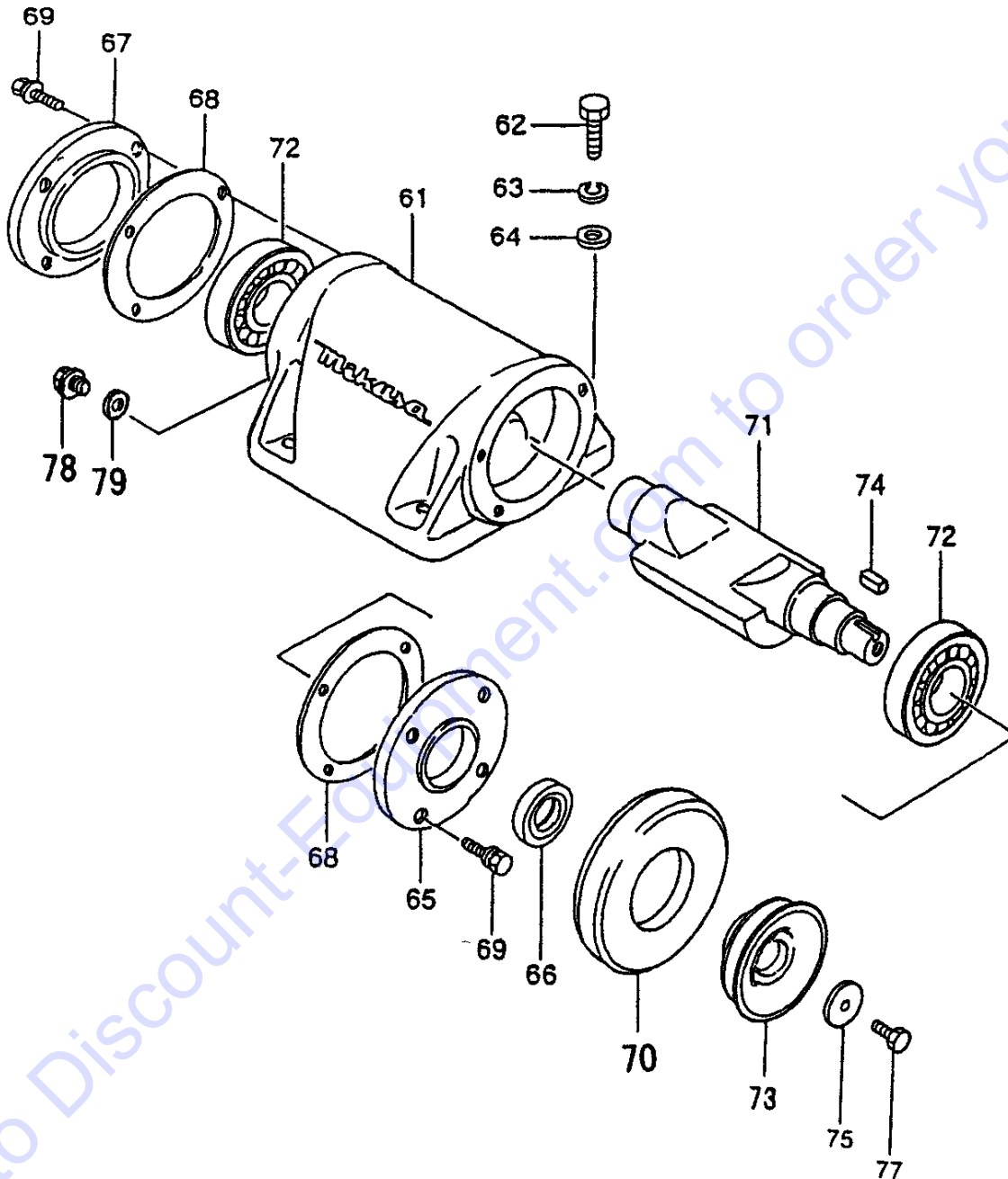
BODY ASSY.



BODY ASSY.

| <u>NO.</u> | <u>PART NO.</u> | <u>PART NAME</u> | <u>QTY.</u> | <u>REMARKS</u> |
|------------|-----------------|------------------------------|-------------|---------------------|
| 1 | 418118540 | VIBRATORY PLATE (570 X 350) | 1 | |
| 2 | 418216890 | BASE | 1 | |
| 3 | 939010254 | SHOCK ABSORBER D45-H41 | 4 | |
| 4 | 959404350 | EARTH WIRE | 1 | |
| 5 | 020310080 | NUT M10 | 8 | |
| 6 | 030210250 | WASHER, LOCK M10 | 8 | |
| 7 | 031110160 | WASHER, FLAT M10 | 4 | |
| 11 | 912212009 | ENGINE, HONDA GX120U1SM12 | 1 | |
| 12 | 418457690 | BOLT, ENGINE | 1 | |
| 13 | 413436870 | ENGINE NUT, REAR | 1 | |
| 14-1 | 001220840 | BOLT 8X40T | 2 | |
| 14-2 | 030208200 | WASHER, LOCK M8 | 2 | |
| 14-3 | 031108160 | WASHER, FLAT M8 | 2 | |
| 16 | 031108160 | WASHER, FLAT M8 | 1 | |
| 17 | 022710809 | NYLON NUT M8 | 1 | |
| 18 | 404418150 | SPACER 18X25X8 CLUTCH | 1 | |
| 19 | 460446780 | CLUTCH ASSY. | 1 | |
| 20 | 0320050150 | KEY | 1 | |
| 21 | 952400130 | WASHER 9304 | 1 | |
| 22-1 | 001220825 | BOLT 8X25 H, SW | 1 | |
| 22-2 | 030208200 | WASHER, LOCK | 1 | |
| 23 | 070100312 | V-BELT RPF-3310 | 1 | |
| 25 | 418216470 | BELT COVER | 1 | |
| 26-1 | 001221035 | BOLT 10X35 H, SW, PW | 1 | |
| 26-2 | 030210250 | WASHER, LOCK | 1 | |
| 26-3 | 031110160 | WASHER, FLAT | 1 | |
| 27 | 418216480 | BELT COVER, IN. | 1 | |
| 28-1 | 001221053 | BOLT 10X65 SW, PW | 1 | |
| 28-2 | 030210250 | WASHER, LOCK | 1 | |
| 28-3 | 031110160 | WASHER, FLAT | 1 | |
| 29 | 418343420 | COVER SEAL, E/G | 1 | |
| 31 | 020308060 | NUT M8 | 2 | |
| 32 | 030208200 | WASHER, LOCK | 2 | |
| 33 | 031108160 | WASHER, FLAT | 2 | |
| 41 | 418910070 | VIB. PROOF HANDLE ASSY | 1 | INCLUDES ITEMS W/ # |
| 45 | 404433430 | RUBBER 20X32X28.5/52H | 2 | |
| 46 | 952403450 | WASHER 11X35X4.5 | 2 | |
| 47-1 | 001221020 | BOLT 10X55 H,SW | 2 | |
| 47-2 | 030210250 | WASHER, LOCK | 2 | |
| 49 | 413436720 | RUBBER, HANDLE | 2 | |
| 50 | 001520845 | SOCKET HEAD BOLT 8X45 T | 2 | |
| 51 | 020308060 | NUT M8 | 2 | |
| 52# | 418217060 | GRIP, HANDLE | 1 | |
| 53# | 416459340 | RUBBER, VIB. PROOF HANDLE | 2 | |
| 54# | 009120407 | BOLT, SUNK HEAD 10X20 T | 2 | |
| 55# | 416459320 | NUT, VIB. PROOF HANDLE | 2 | |
| 56# | 418217050 | VIB. PROOF HANDLE | 1 | |

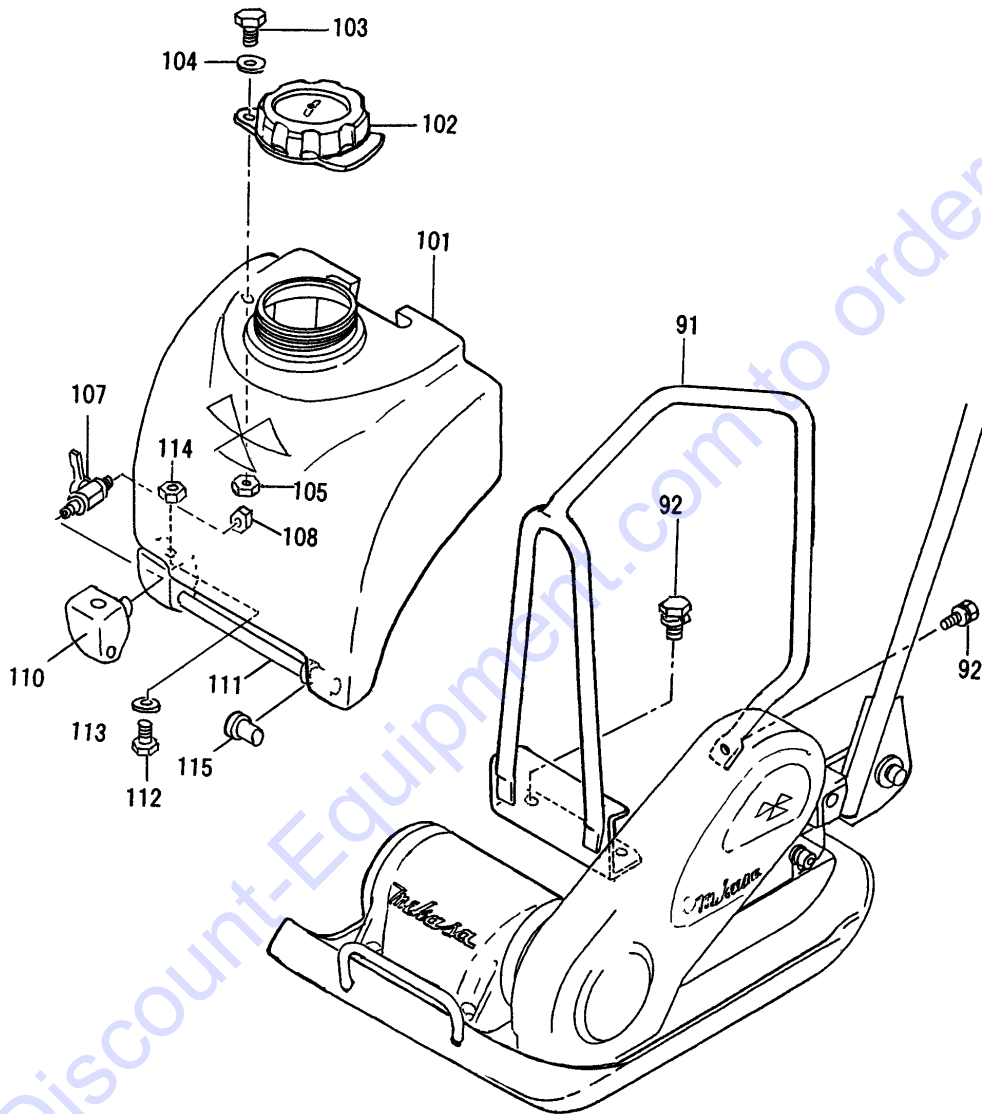
VIBRATOR ASSY.



VIBRATOR ASSY.

| <u>NO.</u> | <u>PART NO.</u> | <u>PART NAME</u> | <u>QTY.</u> | <u>REMARKS</u> |
|------------|-----------------|---------------------|-------------|----------------|
| 61 | 418117730 | VIBRATING CASE | 1 | |
| 62 | 001221445 | BOLT 14X45 T | 4 | |
| 63 | 030214350 | WASHER, LOCK M14 | 4 | |
| 64 | 031114260 | WASHER, FLAT M14 | 4 | |
| 65 | 418456950 | CASE COVER/PULLEY | 1 | |
| 66 | 060403020 | OIL SEAL TC-30458 | 1 | |
| 67 | 418456960 | CASE COVER/SHUT-OFF | 1 | |
| 68 | 418456970 | PACKING | 2 | |
| 69 | 002400820 | BOLT 8X20 SW, PW | 8 | |
| 70 | 418456990 | COVER SEAL, VIB. | 1 | |
| 71 | 418343400 | ECC. ROTOR SHAFT | 1 | |
| 72 | 040306307 | BEARING 6307C3 | 2 | |
| 72 | 040406307 | BEARING 6307C4 | 2 | |
| 73 | 418456980 | PULLEY, VIB. | 1 | |
| 74 | 951401920 | KEY 7X7X30 | 1 | |
| 75 | 952403450 | WASHER 11X35X4.5 | 1 | |
| 77 | 002211030 | BOLT 10X30 H, SW | 1 | |
| 78 | 953400270 | PLUG 1/4X14 10L | 1 | |
| 79 | 953405260 | PACKING | 1 | |

WATER TANK ASSY. (MVC64VHW ONLY)

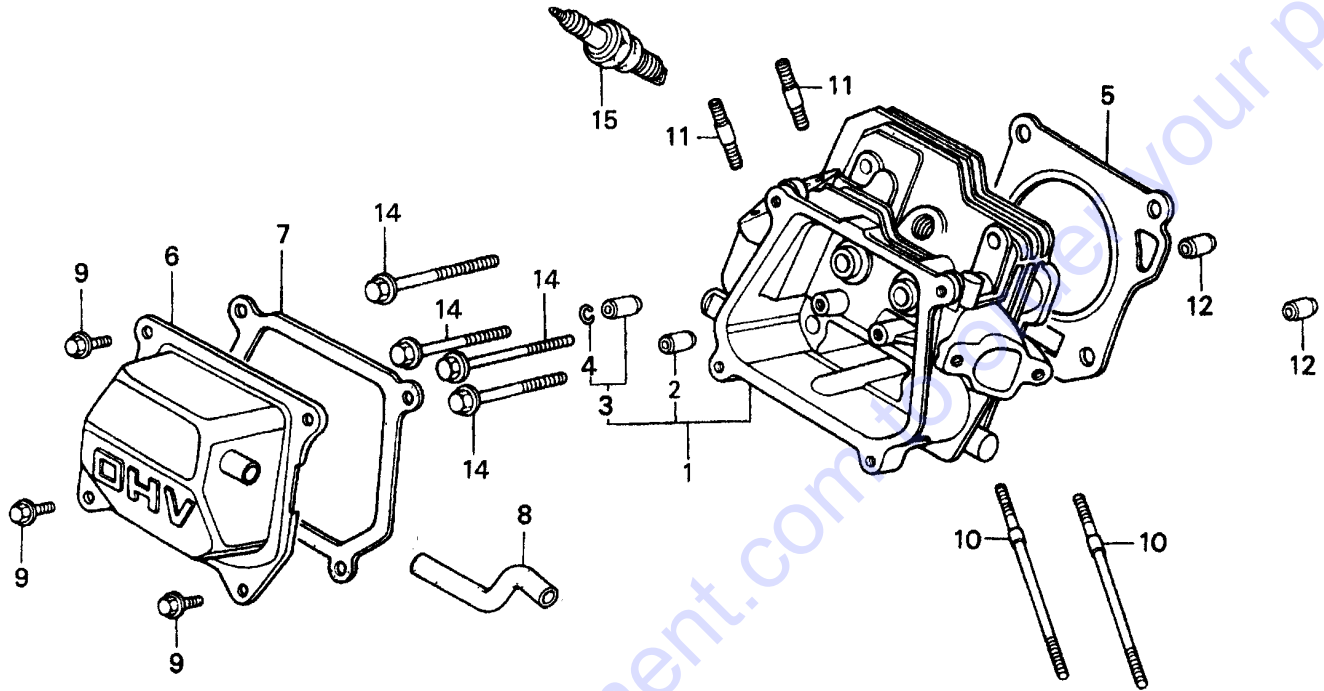


WATER TANK ASSY. (MVC64VHW ONLY)

| <u>NO.</u> | <u>PART NO.</u> | <u>PART NAME</u> | <u>QTY.</u> | <u>REMARKS</u> |
|------------|-----------------|--------------------------|-------------|--------------------|
| 91 | 418118580 | HOOK | 1..... | REPLACES 418216510 |
| 92 | 002211025 | BOLT 10X25 H, SW | 3 | |
| 101 | 418910020 | WATER TANK, ORANGE | 1..... | INCLUDES ITEM W/ * |
| 101 | 418910030 | WATER TANK, WHITE | 1..... | INCLUDES ITEM W/ * |
| 102* | 954300342 | CAP, WATER TANK | 1 | |
| 103* | 001241030 | BOLT 10X30 U | 1 | |
| 104* | 033910010 | WASHER 10.5X21X2 SUS. | 2 | |
| 105* | 022910180 | NYLON NUT M10 SUS. | 1 | |
| 107 | 954403241 | COCK PT1/4, BH-1211 AL. | 1 | |
| 108 | 959403790 | NUT PS-1/4 | 1 | |
| 110 | 416338940 | PIPE HOLDER, L | 1 | |
| 111 | 418343430 | SPRINKLING PIPE | 1 | |
| 112 | 001220825 | BOLT 8X25 T | 1 | |
| 113 | 031108160 | WASHER, FLAT M8 | 2 | |
| 114 | 020308060 | NUT M8 | 1 | |
| 115 | 418457010 | RUBBER CAP | 1 | |

Go to Discount-Equipment.com to order your parts

HONDA GX120U1SM12 ENGINE — CYLINDER HEAD ASSY.



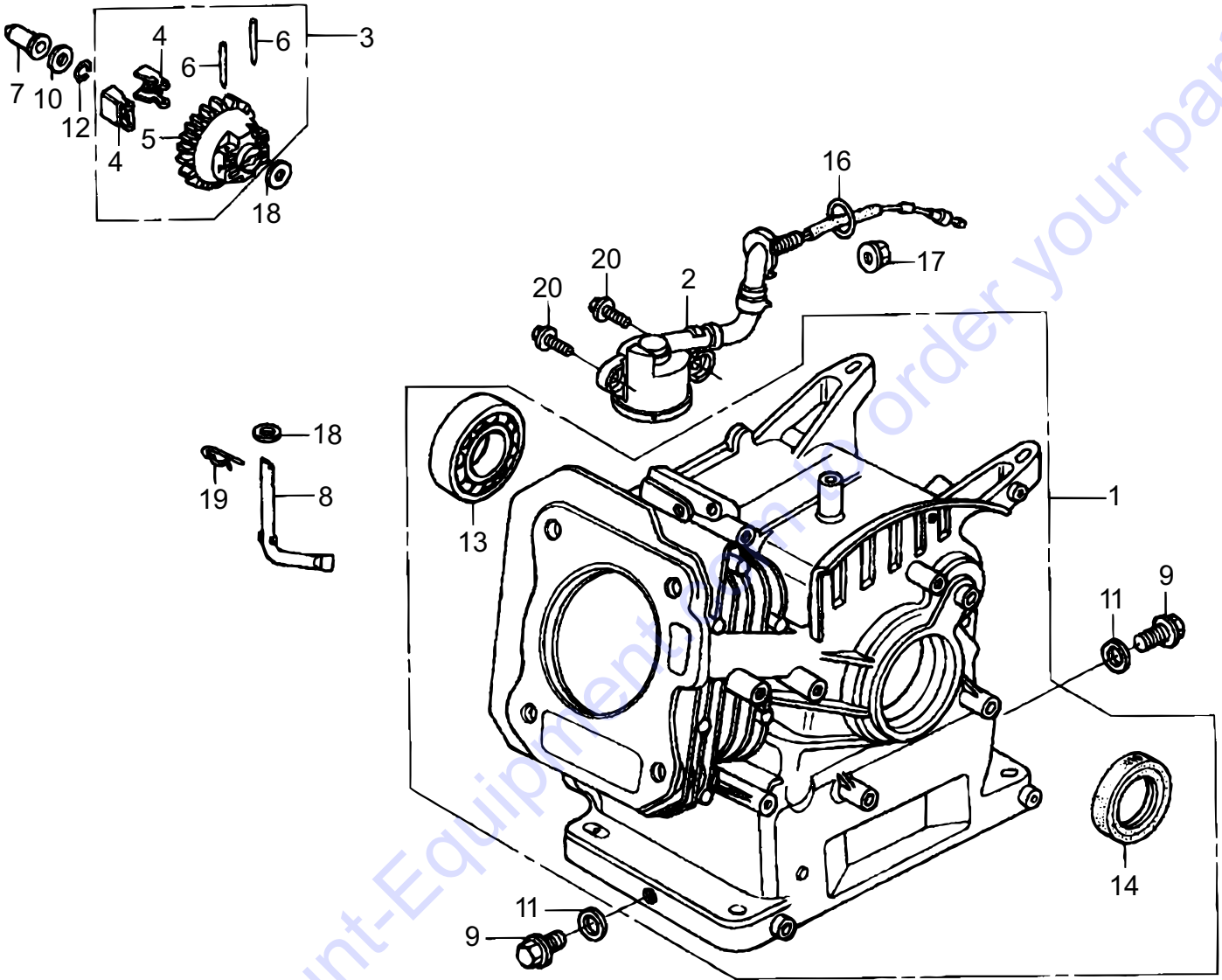
HONDA GX120U1SM12 ENGINE — CYLINDER HEAD ASSY.

CYLINDER HEAD ASSY.

| <u>NO.</u> | <u>PART NO.</u> | <u>PART NAME</u> | <u>QTY.</u> | <u>REMARKS</u> |
|------------|-----------------|--------------------------------------|-------------|--------------------|
| 1 | 12210ZH7405 | CYLINDER HEAD..... | 1..... | INCLUDES ITEMS W/@ |
| 2@ | 12204ZE1306 | GUIDE, VALVE (OS) OPTIONAL | 1 | |
| 3@ | 12205ZE1315 | GUIDE, EX. VALVE (OS) OPTIONAL | 1..... | INCLUDES ITEMS W/+ |
| 4@+ | 12216ZE5300 | CLIP, VALVE GUIDE | 1 | |
| 5 | 12251ZH7800 | GASKET, CYLINDER HEAD | 1 | |
| 6 | 12310ZE1020 | COVER, HEAD | 1 | |
| 7 | 12391ZE1000 | GASKET, CYLINDER HEAD COVER | 1 | |
| 8 | 15721ZH8000 | TUBE, BREATHER | 1 | |
| 9 | 90013883000 | BOLT, FLANGE 6X12 (CT200) | 4 | |
| 10 | 90043ZE1020 | BOLT, STUD 6X109 | 2 | |
| 11 | 90047ZE1000 | BOLT, STUD 8X32 | 2 | |
| 12 | 9430110160 | PIN, A, DOWEL 10X16 | 2 | |
| 14 | 957230805500 | BOLT, FLANGE 8X55 | 4 | |
| 15 | 9807956846 | SPARK PLUG BPR6ES (NGK) | 1 | |

Go to Discount-Equipment.com to order your parts

HONDA GX120U1SM12 ENGINE — CYLINDER BARREL ASSY.

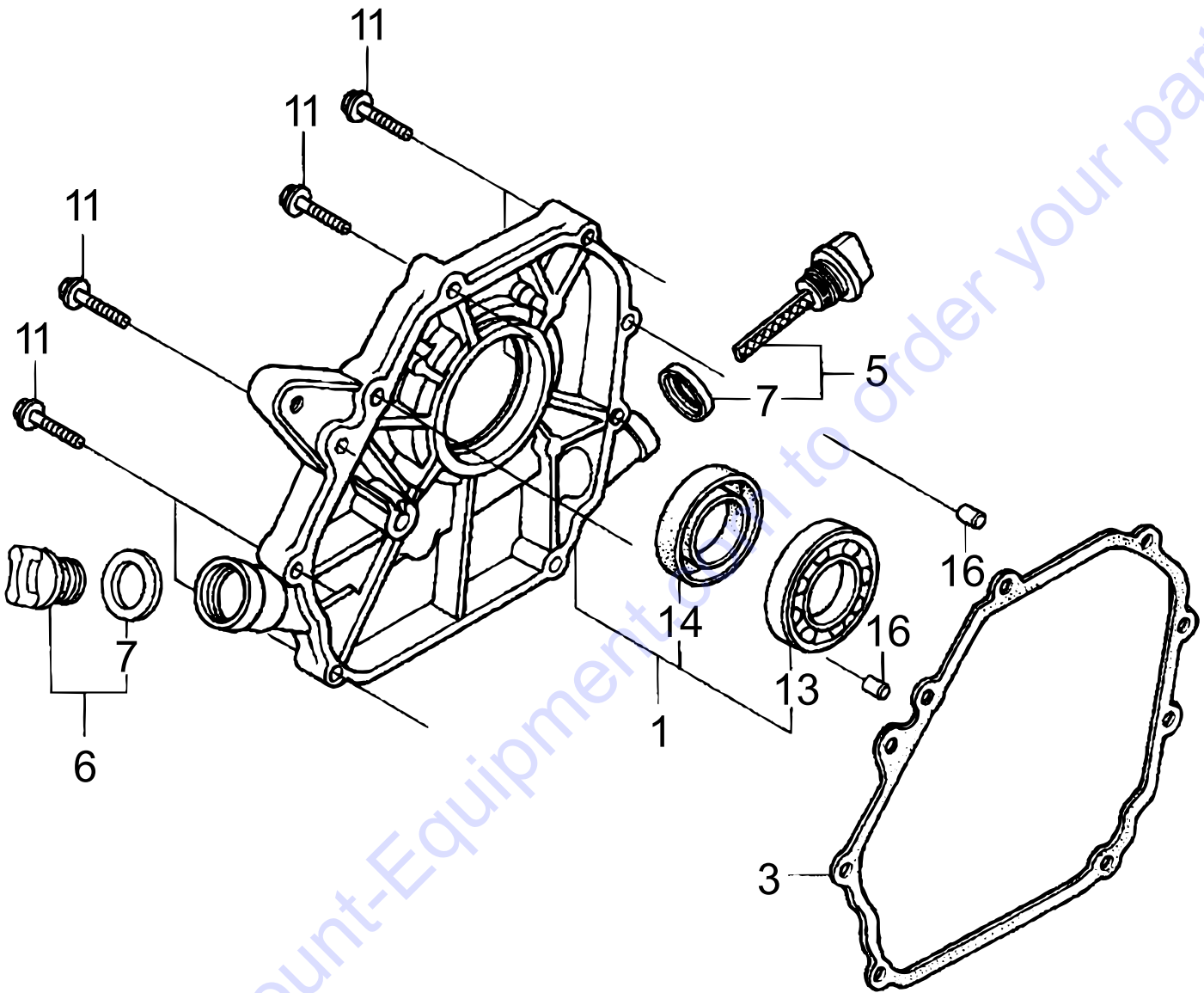


HONDA GX120U1SM12 ENGINE — CYLINDER BARREL ASSY.

CYLINDER BARREL ASSY.

| <u>NO.</u> | <u>PART NO.</u> | <u>PART NAME</u> | <u>QTY.</u> | <u>REMARKS</u> |
|------------|-----------------|------------------------------|-------------|--------------------|
| 1 | 12000ZH7425 | BARREL ASSY., CYLINDER | 1..... | INCLUDES ITEMS W/@ |
| 2 | 15510ZE1033 | SWITCH ASSY., OIL LEVEL | 1 | |
| 3 | 16510ZE1000 | GOVERNOR ASSY..... | 1..... | INCLUDES ITEMS W/# |
| 4# | 16511ZE1000 | WEIGHT, GOVERNOR | 2 | |
| 5# | 16512ZE1000 | HOLDER, GOVERNOR WEIGHT | 1 | |
| 6# | 16513ZE1000 | PIN, GOVERNOR WEIGHT | 2 | |
| 7 | 16531ZE1000 | SLIDER, GOVERNOR | 1 | |
| 8 | 16541ZE1000 | SHAFT, GOVERNOR ARM | 1 | |
| 9 | 90131ZE1000 | BOLT, DRAIN PLUG | 2 | |
| 10 | 90451ZE1000 | WASHER, THRUST 6mm | 1 | |
| 11 | 90601ZE1000 | WASHER, DRAIN PLUG 10.2mm | 2 | |
| 12 | 90602ZE1000 | CLIP, GOVERNOR HOLDER | 1 | |
| 13@ | 91001878003 | BEARING, RADIAL BALL 62/22 | 1 | |
| 14@ | 91202ZE6013 | OIL SEAL 22X35X6 | 1 | |
| 16 | 91353671004 | O- RING 14mm | 1 | |
| 17 | 9405010000 | NUT, FLANGE 10mm | 1 | |
| 18 | 9410106800 | WASHER, PLAIN 6mm | 2 | |
| 19 | 9425108000 | PIN, LOCK 8mm | 1 | |
| 20 | 957010601200 | BOLT, FLANGE 6X12 | 2 | |

HONDA GX120U1SM12 ENGINE — CRANKCASE COVER ASSY.



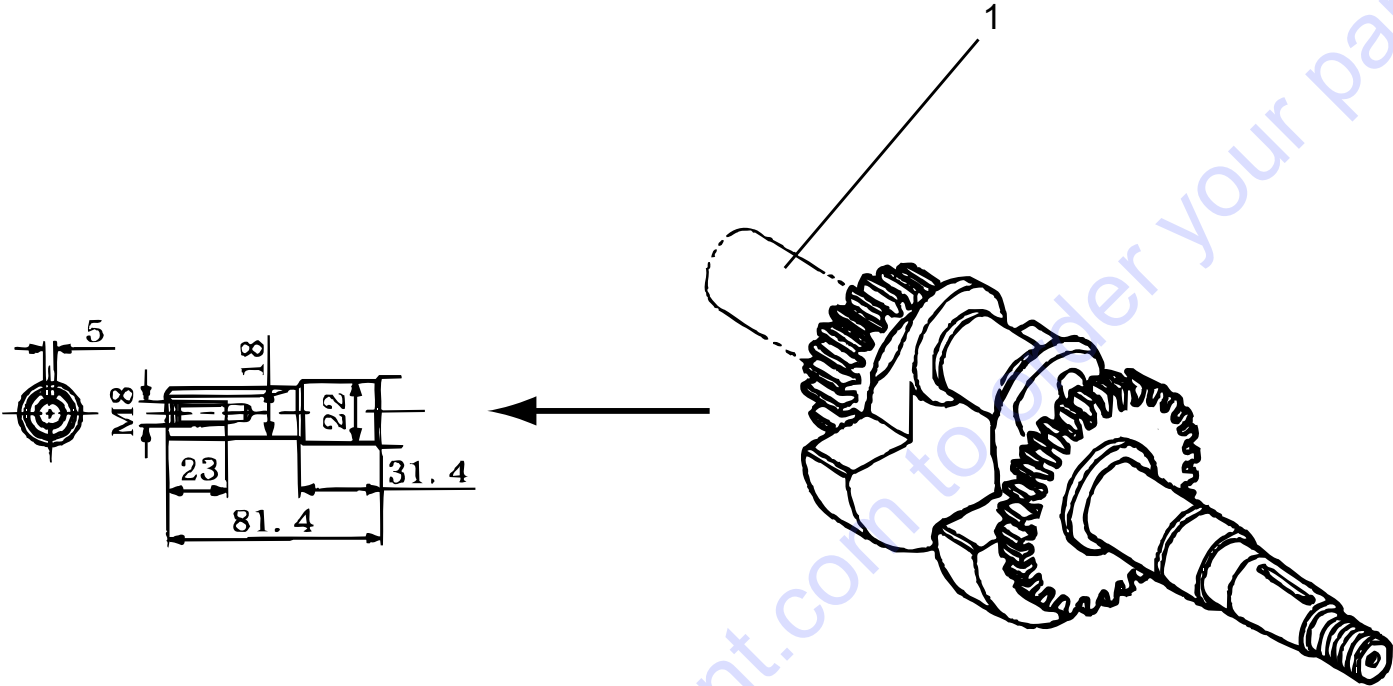
HONDA GX120U1SM12 ENGINE — CRANKCASE COVER ASSY.

CRANKCASE COVER ASSY.

| <u>NO.</u> | <u>PART NO.</u> | <u>PART NAME</u> | <u>QTY.</u> | <u>REMARKS</u> |
|------------|-----------------|------------------------------|-------------|--------------------|
| 1 | 11300ZE0634 | COVER ASSY., CRANKCASE | 1..... | INCLUDES ITEMS W/@ |
| 3 | 11381ZH7800 | GASKET, CRANKCASE | 1 | |
| 5 | 15600ZE1003 | CAP ASSY., OIL FILLER | 1..... | INCLUDES ITEMS W/# |
| 6 | 15600ZG4003 | CAP ASSY., OIL FILLER | 1..... | INCLUDES ITEMS W/+ |
| 7#+ | 15625ZE1003 | PACKING, OIL FILLER CAP | 2 | |
| 11 | 90015883000 | BOLT, FLANGE 6X28 | 7 | |
| 13@ | 91001878003 | BEARING, RADIAL 62/22 | 1 | |
| 14@ | 91203ZE0013 | OIL SEAL 22X41X6 | 1 | |
| 16 | 9430108140 | DOWEL PIN 8X14 | 2 | |

Go to Discount-Equipment.com to order your parts

HONDA GX120U1SM12 ENGINE — CRANKSHAFT ASSY.



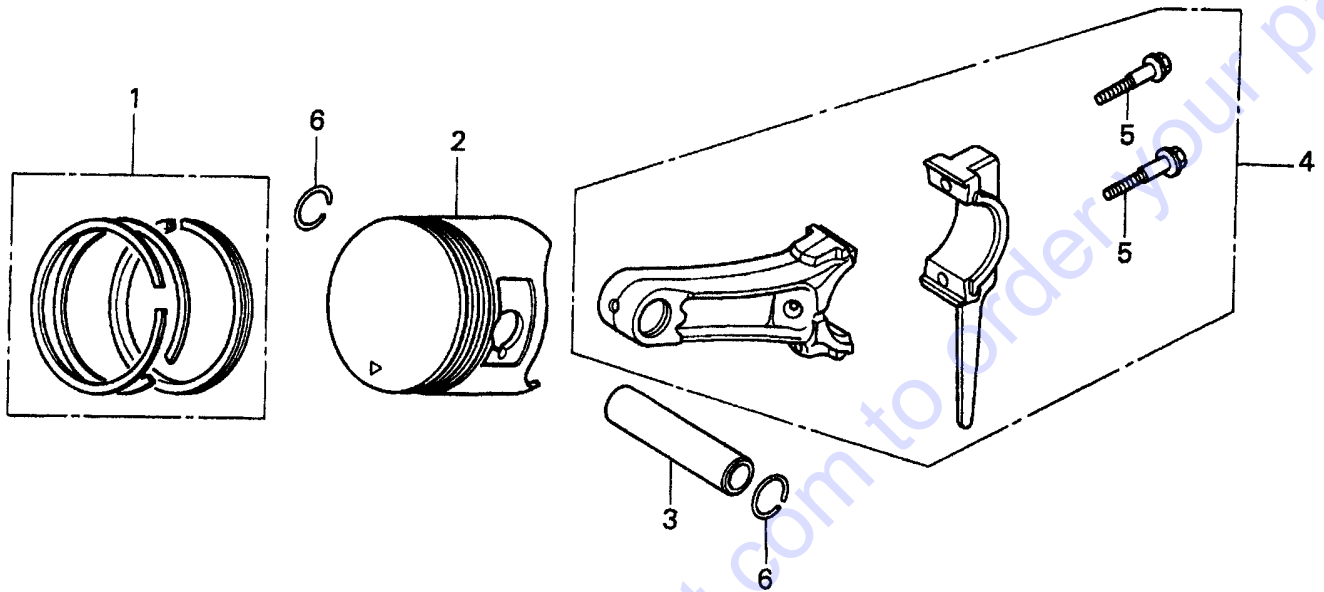
HONDA GX120U1SM12 ENGINE — CRANKSHAFT ASSY.

CRANKSHAFT ASSY.

| <u>NO.</u> | <u>PART NO.</u> | <u>PART NAME</u> | <u>QTY.</u> | <u>REMARKS</u> |
|------------|-----------------|------------------|-------------|----------------|
| 1 | 13310ZE0000 | CRANKSHAFT | 1 | |

Go to Discount-Equipment.com to order your parts

HONDA GX120U1SM12 ENGINE — PISTON ASSY.

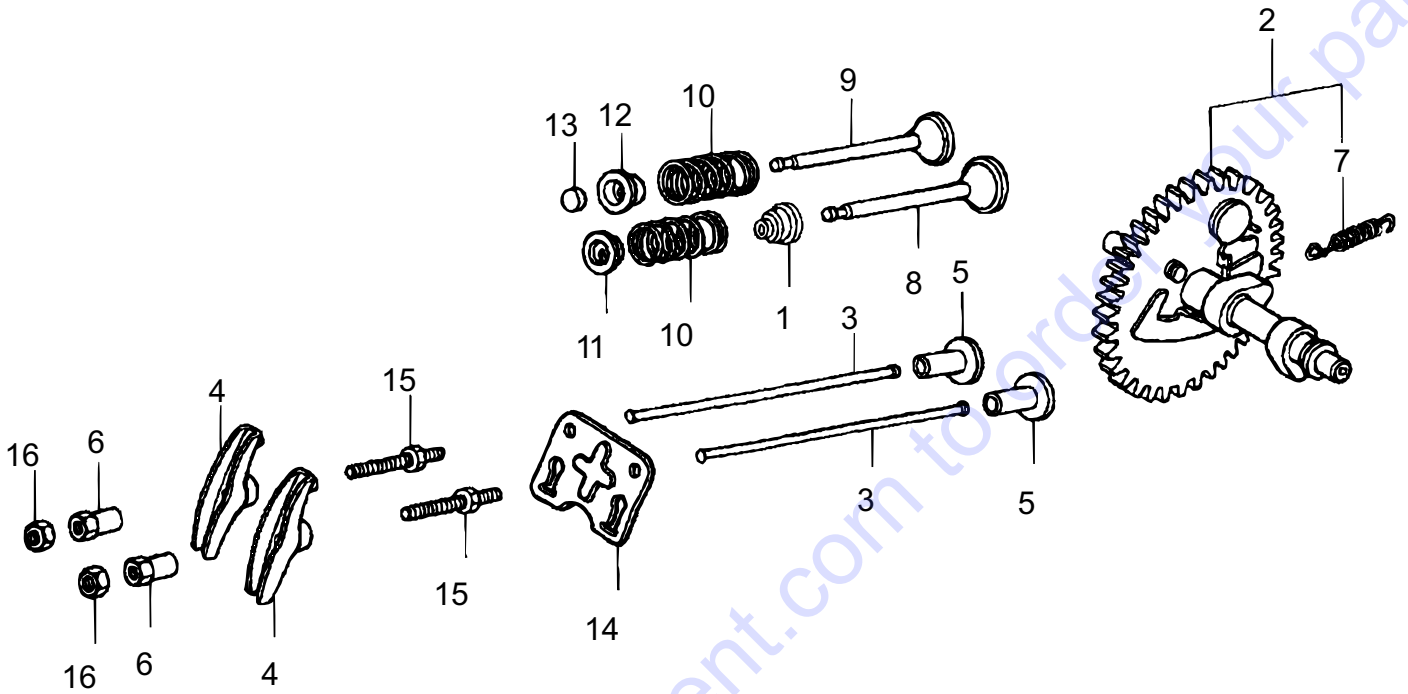


HONDA GX120U1SM12 ENGINE — PISTON ASSY.

PISTON/CONNECTING ROD ASSY.

| <u>NO.</u> | <u>PART NO.</u> | <u>PART NAME</u> | <u>QTY.</u> | <u>REMARKS</u> |
|------------|-----------------|--|-------------|--------------------|
| 1 | 13010ZH7003 | RING SET, PISTON (STANDARD) | 1 | |
| 1 | 13011ZH7003 | RING SET, PISTON (OS 0.25), OPTIONAL | 1 | |
| 1 | 13012ZH7003 | RING SET, PISTON (OS 0.50) , OPTIONAL | 1 | |
| 1 | 13013ZH7003 | RING SET, PISTON (OS 0.75), OPTIONAL | 1 | |
| 2 | 13101ZH7010 | PISTON, STANDARD | 1 | |
| 2 | 13102ZH7010 | PISTON, OS 0.25 | 1 | |
| 2 | 13103ZH7010 | PISTON, OS 0.50 | 1 | |
| 2 | 13104ZH7010 | PISTON, 0.75 | 1 | |
| 3 | 13111ZE0000 | PIN, PISTON | 1 | |
| 4 | 13200ZE0000 | ROD ASSY, CONNECTING (UNDER SIZE).....1..... | 1 | INCLUDES ITEMS W/@ |
| 4 | 13200ZE0000 | ROD ASSY., CONNECTING.....1..... | 1 | INCLUDES ITEMS W/@ |
| 5@ | 90001ZE1000 | BOLT, CONNECTING ROD | 2 | |
| 6 | 90551ZE0000 | CLIP, PISTON PIN 13MM | 2 | |

HONDA GX120U1SM12 ENGINE — CAMSHAFT ASSY.

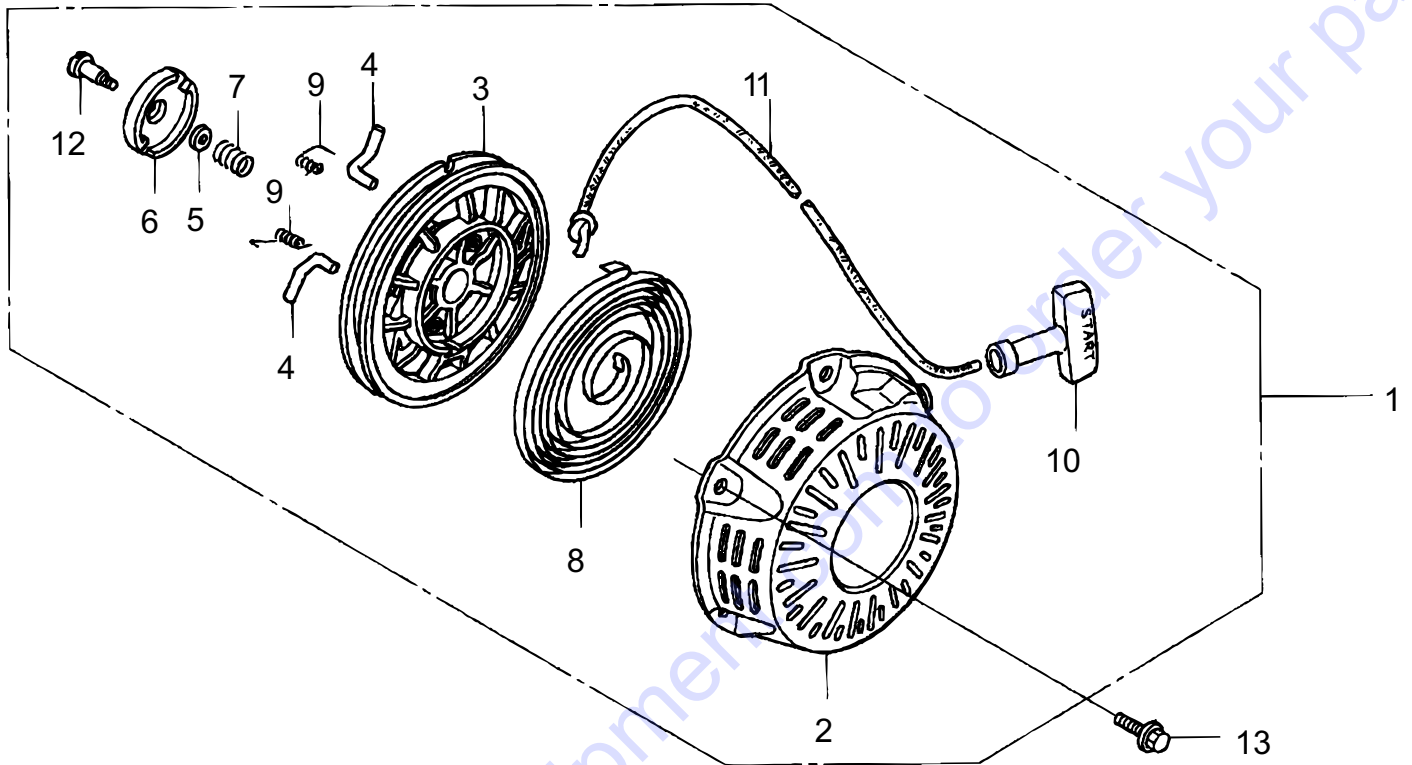


HONDA GX120U1SM12 ENGINE — CAMSHAFT ASSY.

CAMSHAFT ASSY.

| <u>NO.</u> | <u>PART NO.</u> | <u>PART NAME</u> | <u>QTY.</u> | <u>REMARKS</u> |
|------------|-----------------|----------------------------|-------------|--------------------|
| 1 | 12209ZH8003 | SEAL, VALVE STEM | 1 | |
| 2 | 14100ZE0812 | CAMSHAFT ASSY..... | 1 | INCLUDES ITEMS W/@ |
| 3 | 14410ZE0010 | ROD, PUSH | 2 | |
| 4 | 14431ZE1000 | ARM, VALVE ROCKER | 2 | |
| 5 | 14441ZE1010 | LIFTER, VALVE | 2 | |
| 6 | 14451ZE1013 | PIVOT, ROCKER ARM | 2 | |
| 7@ | 14568ZE1000 | SPRING, WEIGHT RETURN | 1 | |
| 8 | 14711ZF0000 | VALVE, IN. | 1 | |
| 9 | 14721ZF0000 | VALVE, EX. | 1 | |
| 10 | 14751ZF1000 | SPRING, VALVE | 2 | |
| 11 | 14771ZE1000 | RETAINER, IN. VALVE SPRING | 1 | |
| 12 | 14773ZE1000 | RETAINER, EX. VALVE SPRING | 1 | |
| 13 | 14781ZE1000 | ROTATOR, VALVE | 1 | |
| 14 | 14791ZE0010 | PLATE, PUSH ROD GUIDE | 1 | |
| 15 | 90012ZE0010 | BOLT, PIVOT 8MM | 2 | |
| 16 | 90206ZE1000 | NUT, PIVOT ADJ. | 2 | |

HONDA GX120U1SM12 ENGINE — RECOIL STARTER ASSY.



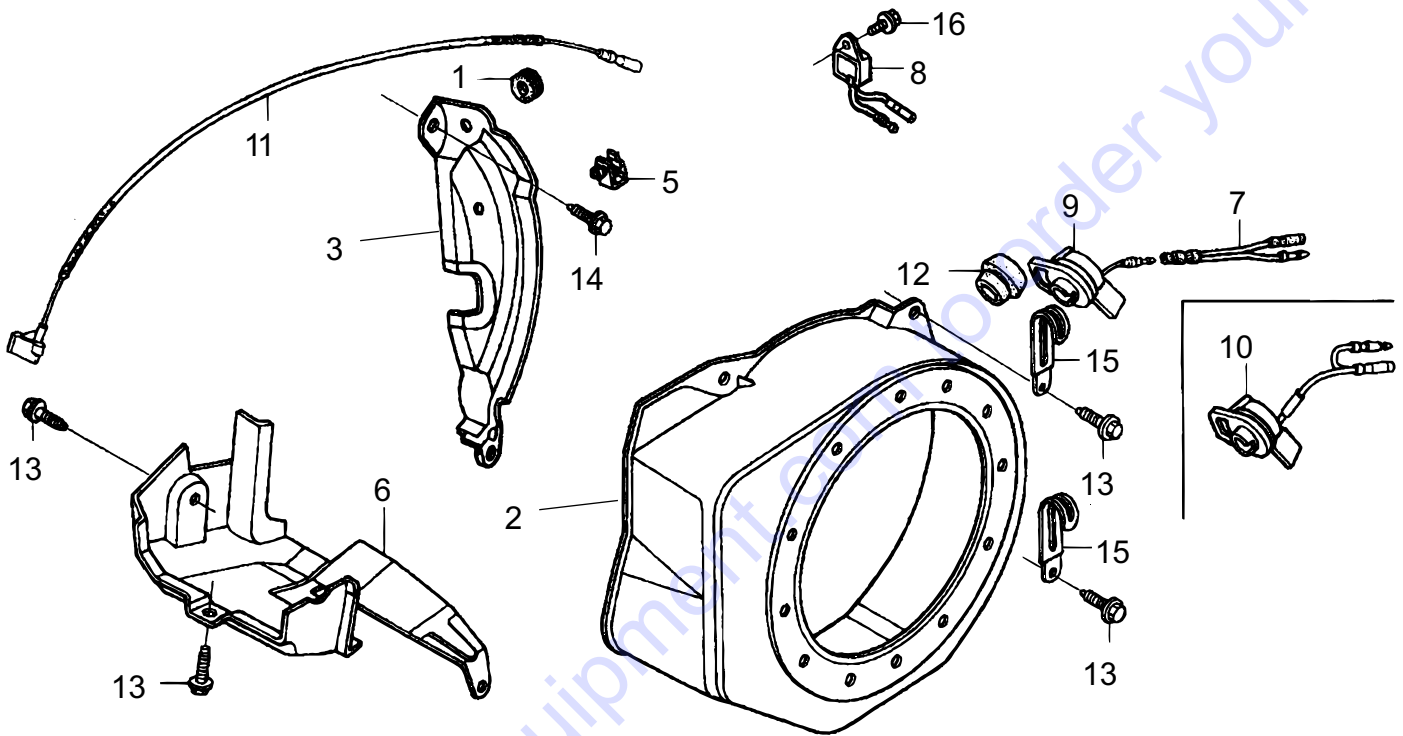
HONDA GX120U1SM12 ENGINE — RECOIL STARTER ASSY.

RECOIL STARTER ASSY.

| <u>NO.</u> | <u>PART NO.</u> | <u>PART NAME</u> | <u>QTY.</u> | <u>REMARKS</u> |
|------------|-----------------|-----------------------------------|-------------|--------------------|
| 1 | 28400ZH8023ZB | STARTER ASSY., RECOIL @NH1@ | 1..... | INCLUDES ITEMS W/@ |
| 2@ | 28410ZH8003ZB | CASE, RECOIL STARTER @NH1@ | 1 | |
| 3@ | 28421ZH8801 | REEL, RECOIL STARTER | 1 | |
| 4@ | 28422ZH8801 | RATCHET, STARTER | 2 | |
| 5@ | 28431ZH8801 | PLATE, FRICTION | 1 | |
| 6@ | 28433ZH8801 | GUIDE, RATCHET | 1 | |
| 7@ | 28441ZH8801 | SPRING, FRICTION | 1 | |
| 8@ | 28442ZH8003 | SPRING, RECOIL STARTER | 1 | |
| 9@ | 28443ZH8001 | SPRING, RETURN | 2 | |
| 10@ | 28461ZH8003 | GRIP, STARTER | 1 | |
| 11@ | 28462ZH8003 | ROPE, RECOIL STARTER | 1 | |
| 12@ | 90003ZH8001 | SCREW, SETTING | 1 | |
| 13 | 9008ZE2003 | BOLT, FLANGE 6X10 | 3 | |

Go to Discount-Equipment.com to order your parts

HONDA GX120U1SM12 ENGINE — FAN COVER ASSY.



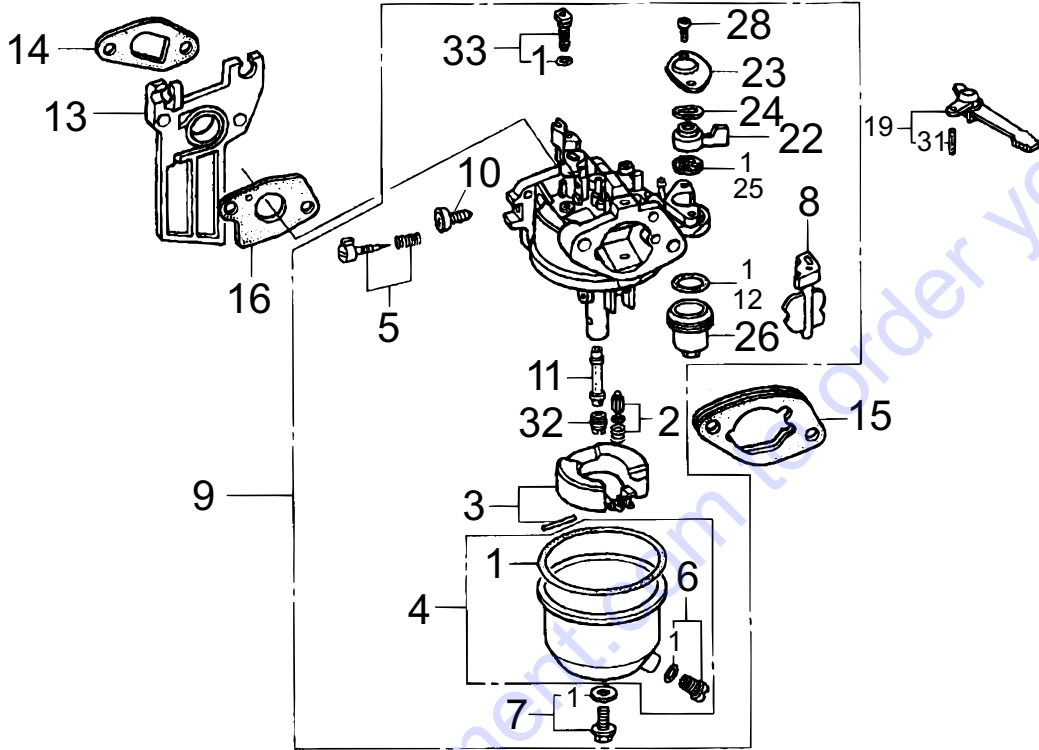
HONDA GX120U1SM12 ENGINE — FAN COVER ASSY.

FAN COVER ASSY.

| <u>NO.</u> | <u>PART NO.</u> | <u>PART NAME</u> | <u>QTY.</u> | <u>REMARKS</u> |
|------------|-----------------|------------------------------|-------------|----------------|
| 1 | 11347371300 | GROMMET, ADJUSTING COVER | 1 | |
| 2 | 19610ZE0000ZE | COVER, FAN *NH1* | 1 | |
| 3 | 19611ZH7810 | PLATE, SIDE (OIL ALERT) | 1 | |
| 5 | 90601ZH7013 | CLIP, HARNESS | 1 | |
| 6 | 19630ZH7000 | SHROUD | 1 | |
| 8 | 34150ZH7003 | ALERT UNIT, OIL | 1 | |
| 10 | 36100ZF6P81 | SWITCH ASSEMBLY, ENGINE STOP | 1 | |
| 11 | 36101ZE1010 | WIRE, STOP SWITCH 370MM | 1 | |
| 13 | 90013883000 | BOLT, FLANGE 6X12 (CT200) | 6 | |
| 14 | 90022888010 | BOLT, FLANGE 6X20(CT200) | 1 | |
| 16 | 95 7010600800 | BOLT, FLANGE 6X8 | 1 | |

Go to Discount-Equipment.com to order your parts

HONDA GX120U1SM12 ENGINE — CARBURETOR ASSY.

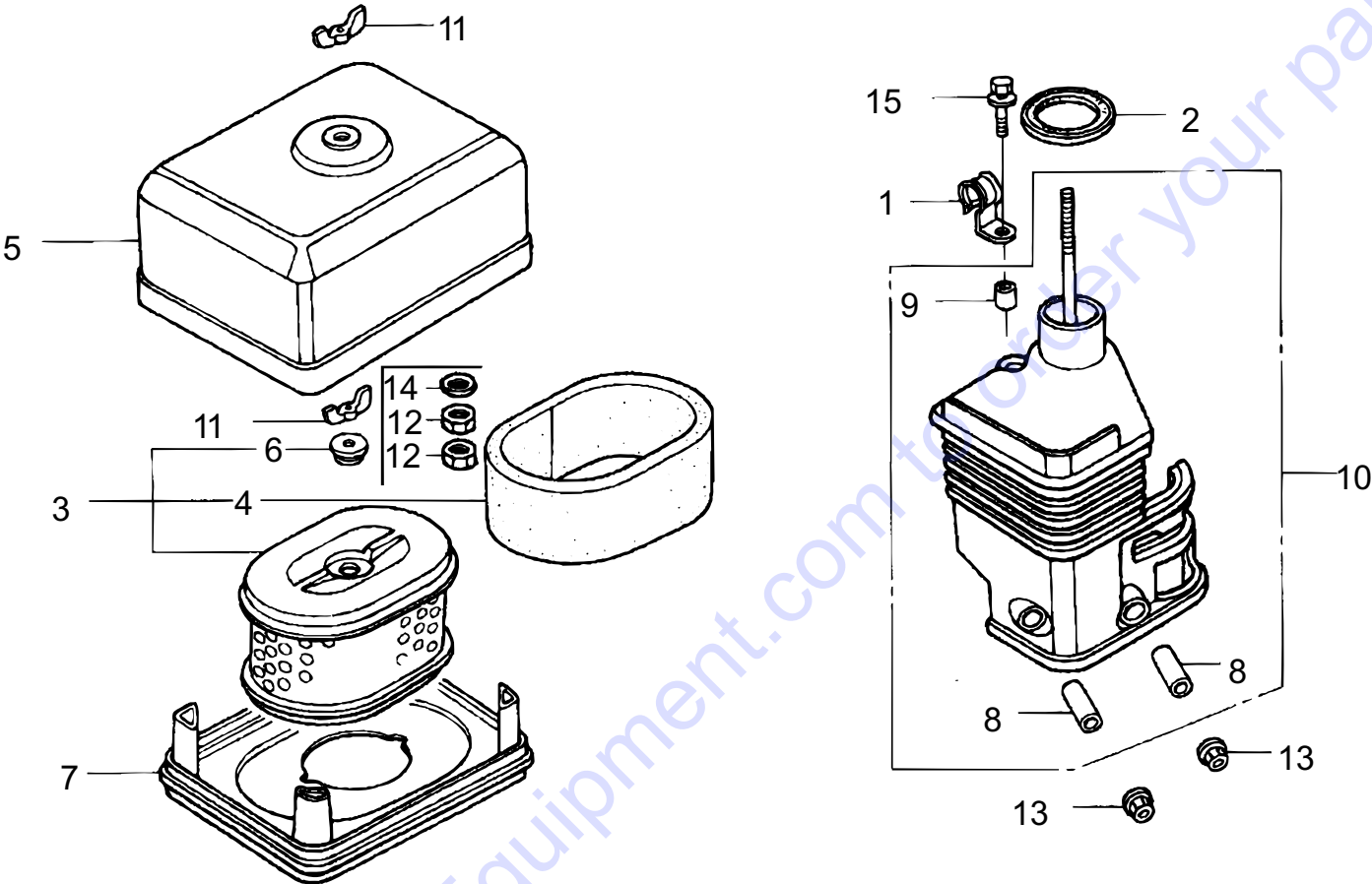


HONDA GX120U1SM12 ENGINE — CARBURETOR ASSY.

CARBURETOR ASSY.

| <u>NO.</u> | <u>PART NO.</u> | <u>PART NAME</u> | <u>QTY.</u> | <u>REMARKS</u> |
|------------|-----------------|---------------------------------|-------------|--------------------|
| 1@# | 16010ZE1812 | GASKET SET | 1 | |
| 2@ | 16011ZE0005 | VALVE SET, FLOAT | 1 | |
| 3@ | 16013ZE0005 | FLOAT SET | 1 | |
| 4@ | 16015ZE0831 | FLOAT CHAMBER SET | 1 | INCLUDES ITEMS W/# |
| 5@ | 16016ZH7W01 | SCREW SET, PILOT | 1 | |
| 6@# | 16024ZE1811 | SCREW SET, DRAIN | 1 | |
| 7@ | 16028ZE0005 | SCREW SET B | 1 | |
| 8@ | 16044ZE0005 | CHOKE SET | 1 | |
| 9 | 16100ZH7W51 | CARBURETOR ASSY., BE60B B | 1 | INCLUDES ITEMS W/@ |
| 10@ | 16124ZE0005 | SCREW, THROTTLE STOP | 1 | |
| 11@ | 16166ZH7W50 | NOZZLE, MAIN | 1 | |
| 12@ | 16173001004 | PACKING, CUP | 1 | |
| 13 | 16211ZE0000 | INSULATOR, CARBURETOR | 1 | |
| 14 | 16212ZH7800 | PACKING, INSULATOR | 1 | |
| 15 | 16220ZE1020 | SPACER, CARBURETOR | 1 | |
| 16 | 16221ZH8801 | GASKET, CARBURETOR | 1 | |
| 19 | 16610ZE1000 | LEVER, CHOKE (STANDARD) | 1 | INCLUDES ITEMS W/+ |
| 22@ | 16953ZE1812 | LEVER, VALVE | 1 | |
| 23@ | 16954ZE1812 | PLATE, LEVER SETTING | 1 | |
| 24@ | 16956ZE1811 | SPRING, VALVE LEVER | 1 | |
| 25@ | 16957ZE1812 | GASKET, VALVE | 1 | |
| 26@ | 16967ZE0811 | CUP, FUEL STRAINER | 1 | |
| 28@ | 93500030061H | SCREW, PAN (3 X 6) | 2 | |
| 31+ | 9430520122 | PIN, SPRING (2 X 12) | 1 | |
| 32@ | 99101ZH80600 | JET, MAIN (#60) | 1 | |
| 33@ | 99204ZE00350 | JET, SET, PILOT (#35) | 1 | |

HONDA GX120U1SM12 ENGINE — AIR CLEANER ASSY.



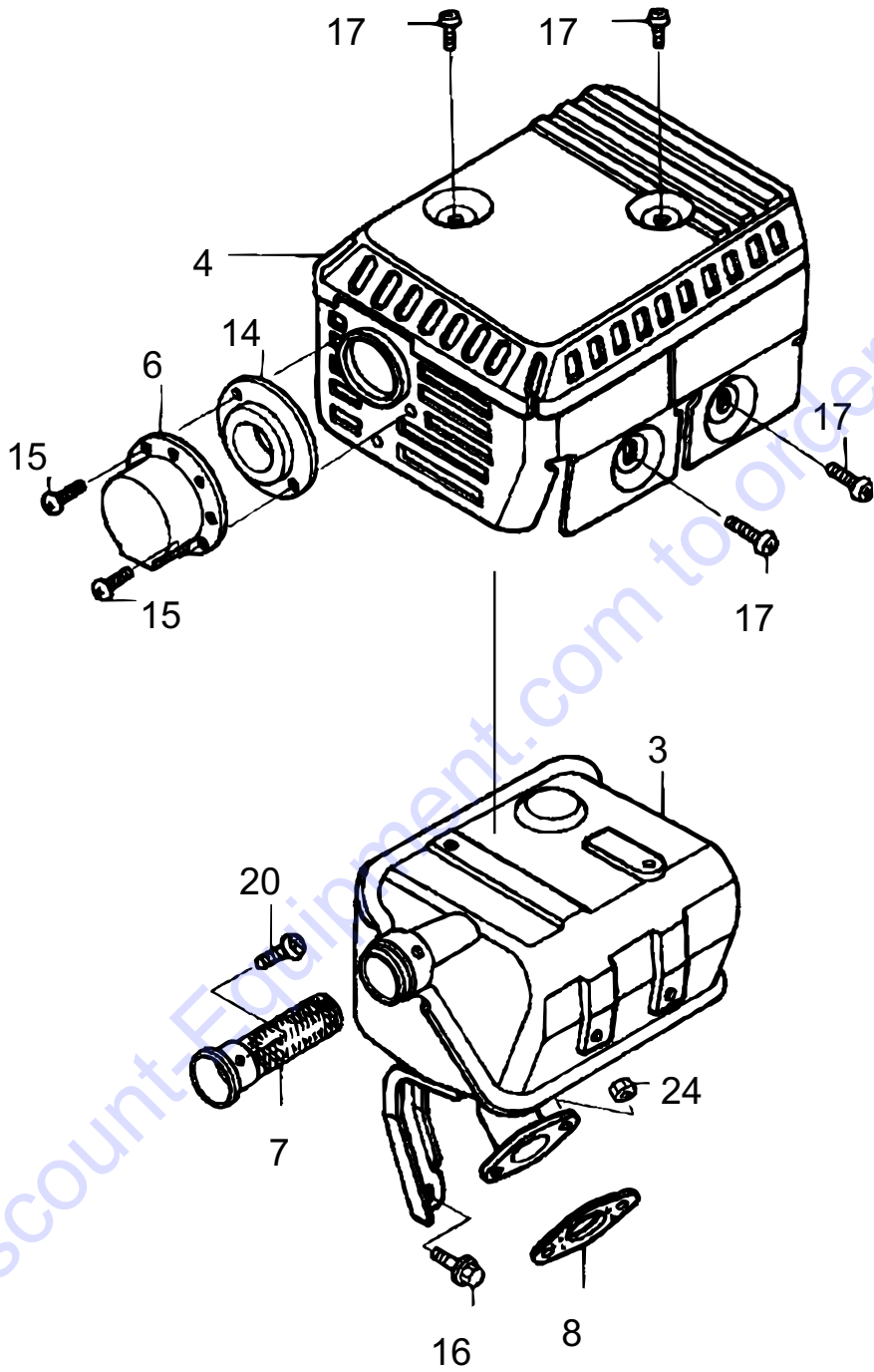
HONDA GX120U1SM12 ENGINE — AIR CLEANER ASSY.

AIR CLEANER ASSY.

| <u>NO.</u> | <u>PART NO.</u> | <u>PART NAME</u> | <u>QTY.</u> | <u>REMARKS</u> |
|------------|-----------------|---------------------------|-------------|--------------------|
| 2 | 16271ZE1000 | GASKET, ELBOW | 1 | |
| 3 | 17210ZE0822 | CLEANER ELEMENT | 1 | INCLUDES ITEMS W/# |
| 4# | 17218ZE0821 | ELEMENT OUTER | 1 | |
| 5 | 17230ZE0820 | COVER, AIR CLEANER | 1 | |
| 6# | 17232891000 | GROMMET, AIR CLEANER | 1 | |
| 7 | 17235ZE1831 | NOSE, SILENCER | 1 | |
| 8@ | 17238ZE0010 | COLLAR, AIR CLEANER | 2 | |
| 9@ | 17239ZE1000 | COLLAR B, AIR CLEANER | 1 | |
| 10 | 17410ZE0030 | ELBOW, AIR CLEANER | 1 | INCLUDES ITEMS W/@ |
| 11 | 90325044000 | WINGNUT, TOOL BOX SETTING | 2 | |
| 13 | 9405006000 | NUT, FLANGE 6MM | 2 | |
| 15 | 957010602000 | BOLT, FLANGE 6X20 | 1 | |

Go to Discount-Equipment.com to order your parts

HONDA GX120U1SM12 ENGINE — MUFFLER ASSY.



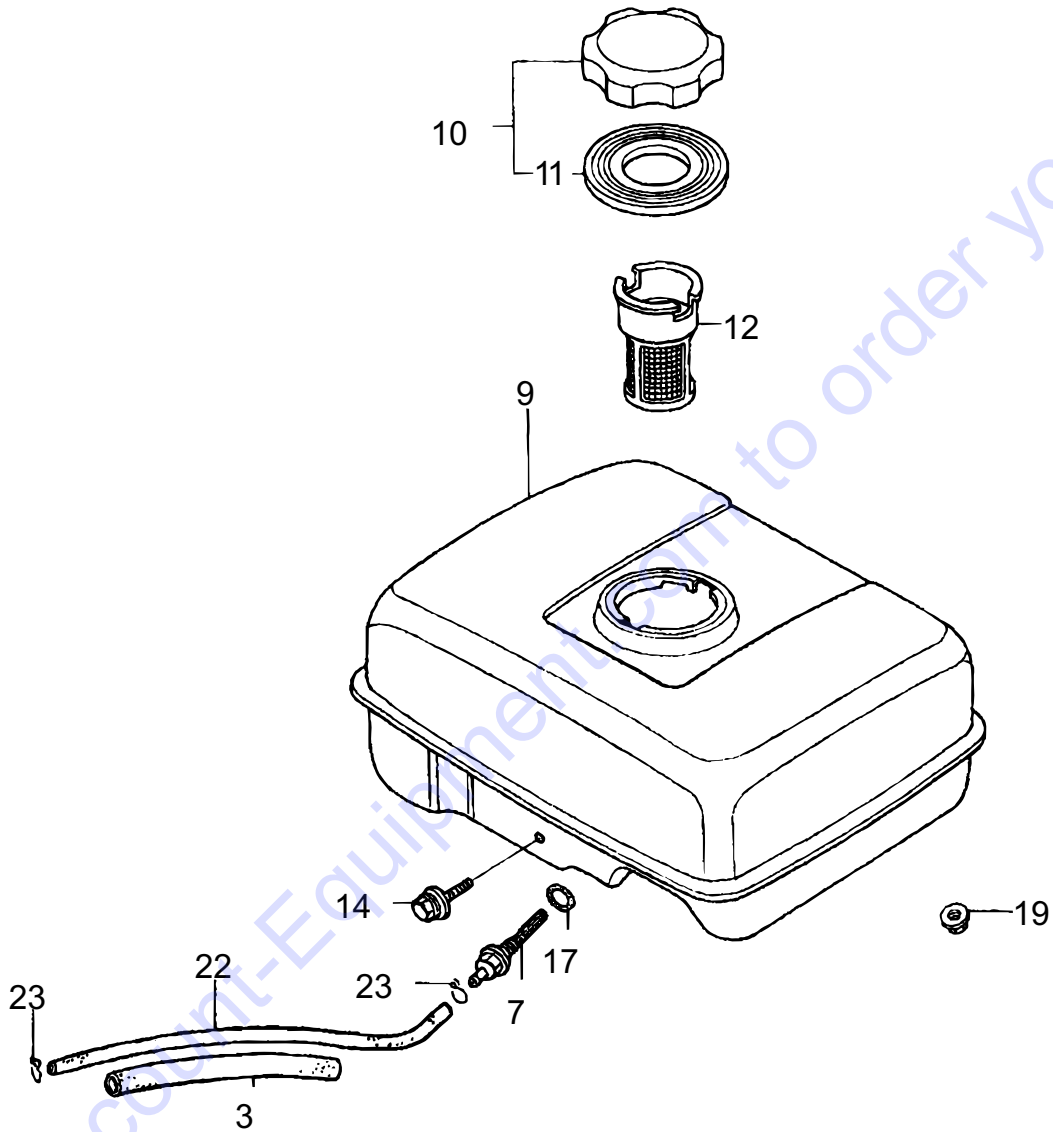
HONDA GX120U1SM12 ENGINE — MUFFLER ASSY.

MUFFLER ASSY.

| <u>NO.</u> | <u>PART NO.</u> | <u>PART NAME</u> | <u>QTY.</u> | <u>REMARKS</u> |
|------------|-----------------|---------------------|-------------|----------------|
| 3 | 18310ZH8810 | MUFFLER | 1 | |
| 4 | 18320ZF1H01 | PROTECTOR, MUFFLER | 1 | |
| 6 | 18340ZE1010 | DEFLECTOR | 1 | |
| 7 | 18355ZE1000 | ARRESTER, SPARK | 1 | |
| 8 | 18381ZH8800 | GASKET, MUFFLER | 1 | |
| 14 | 18522ZE1000 | GUIDE, MUFFLER | 1 | |
| 15 | 90002ZG0003 | SCREW, TAPPING 4X8 | 2 | |
| 16 | 90016ZE1000 | BOLT, FLANGE 6 X 13 | 1 | |
| 17 | 90050ZE1000 | SCREW, TAPPING 5X8 | 4 | |
| 20 | 90055ZE1000 | SCREW, TAPPING 4X6 | 1 | |
| 24 | 94001080000S | NUT, HEX. 8MM | 2 | |

Go to Discount-Equipment.com to order your parts

HONDA GX120U1SM12 ENGINE — FUEL TANK ASSY.

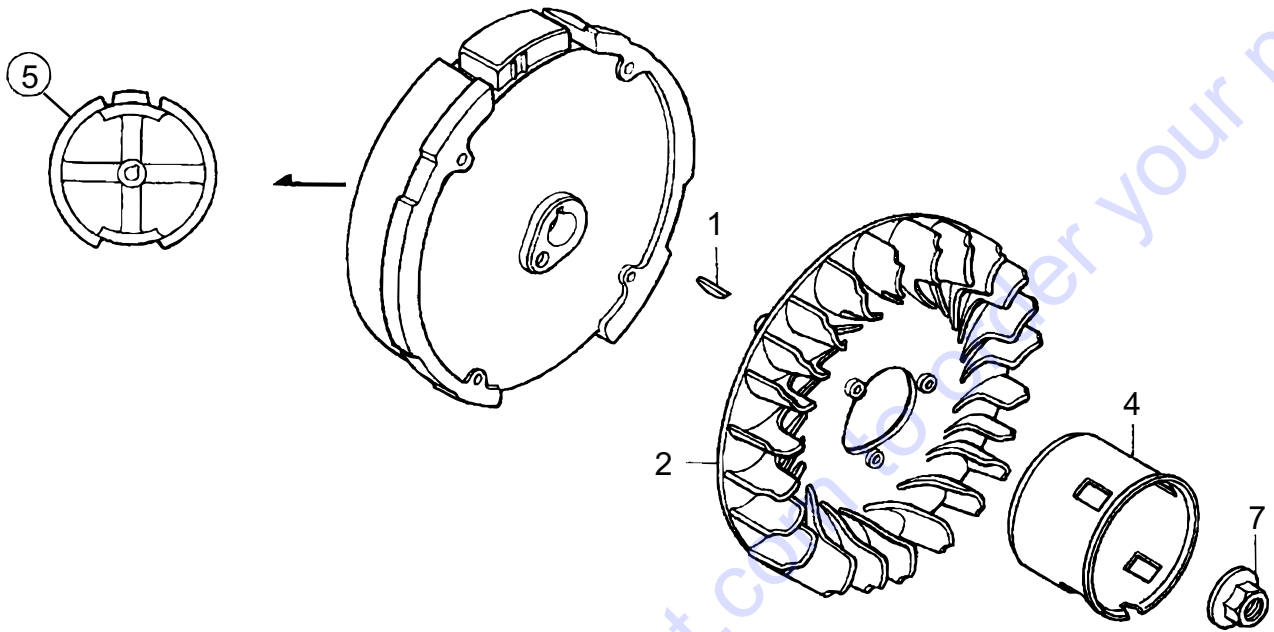


HONDA GX120U1SM12 ENGINE— FUEL TANK ASSY.

FUEL TANK ASSY.

| <u>NO.</u> | <u>PART NO.</u> | <u>PART NAME</u> | <u>QTY.</u> | <u>REMARKS</u> |
|------------|-----------------|--------------------------|-------------|--------------------|
| 3 | 16854ZH8000 | RUBBER, SUPPORTER 107MM | 1 | |
| 7 | 16955ZE1000 | JOINT, FUEL TANK | 1 | |
| 9 | 17510ZE0020ZD | TANK, FUEL *NH1* (BLACK) | 1 | |
| 10 | 17620ZH7023 | CAP, FUEL FILLER..... | 1 | INCLUDES ITEMS W/@ |
| 11@ | 17631ZH7003 | GASKET, FUEL FILLER CAP | 1 | |
| 12 | 17672ZE2W01 | FUEL FILTER | 1 | |
| 14 | 90004ZH7003 | BOLT, FLANGE 6X29 | 1 | |
| 17 | 91353671004 | O- RING 14MM | 1 | |
| 19 | 9405006000 | NUT, FLANGE 6MM | 2 | |
| 22 | 950014514040 | BULK HOSE, FUEL 4.5X140 | 1 | |
| 22 | 950014500160M | BULK HOSE, FUEL 4.5X1000 | 1 | |
| 23 | 9500202080 | CLIP, TUBE (B8) | 2 | |

HONDA GX120U1SM12 ENGINE — FLYWHEEL ASSY.



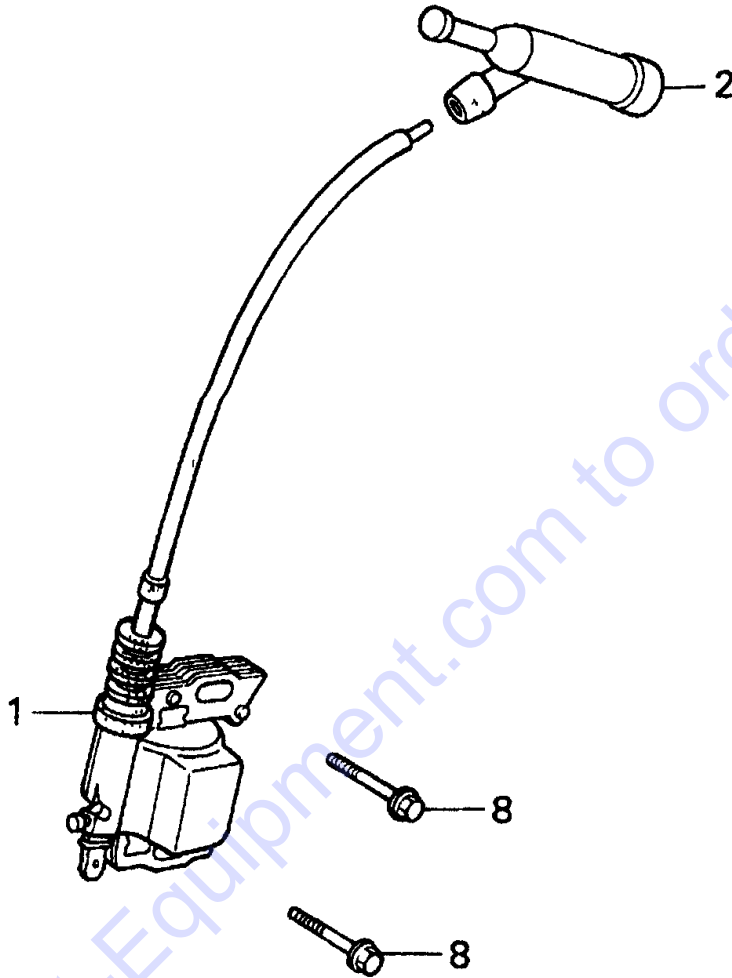
HONDA GX120U1SM12 ENGINE — FLYWHEEL ASSY.

FLYWHEEL ASSY.

| <u>NO.</u> | <u>PART NO.</u> | <u>PART NAME</u> | <u>QTY.</u> | <u>REMARKS</u> |
|------------|-----------------|-----------------------------|-------------|----------------|
| 1 | 13331357000 | KEY, SPECIAL WOODRUFF 25X18 | 1 | |
| 2 | 19511ZE0000 | FAN, COOLING | 1 | |
| 4 | 28451ZH7801 | PULLEY, STARTER | 1 | |
| 5 | 31100ZE0010 | FLYWHEEL | 1 | |
| 7 | 90201878003 | NUT, SPECIAL 14MM | 1 | |

Go to Discount-Equipment.com to order your parts

HONDA GX120U1SM12 ENGINE — IGNITION COIL ASSY.



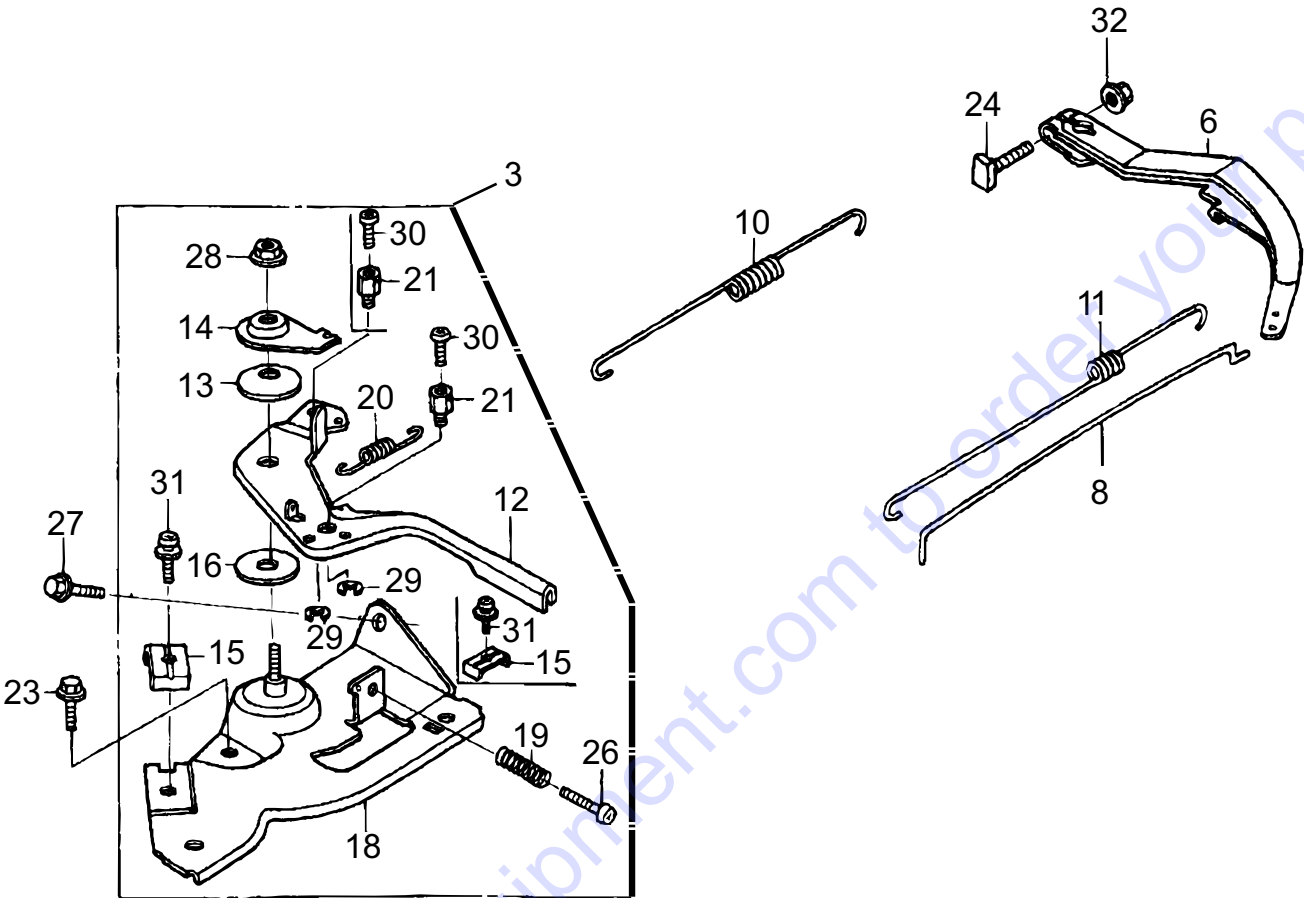
HONDA GX120U1SM12 ENGINE — IGNITION COIL ASSY.

IGNITION COIL ASSY.

| <u>NO.</u> | <u>PART NO.</u> | <u>PART NAME</u> | <u>QTY.</u> | <u>REMARKS</u> |
|------------|-----------------|-----------------------------|-------------|----------------|
| 1 | 30500ZE1063 | COIL ASSY., IGNITION | 1 | |
| 2 | 30700ZE1013 | CAP ASSY., NOISE SUPPRESSOR | 1 | |
| 8 | 90121952000 | BOLT, FLANGE 6X25 | 2 | |

Go to Discount-Equipment.com to order your parts

HONDA GX120U1SM12 ENGINE — CONTROL ASSY.

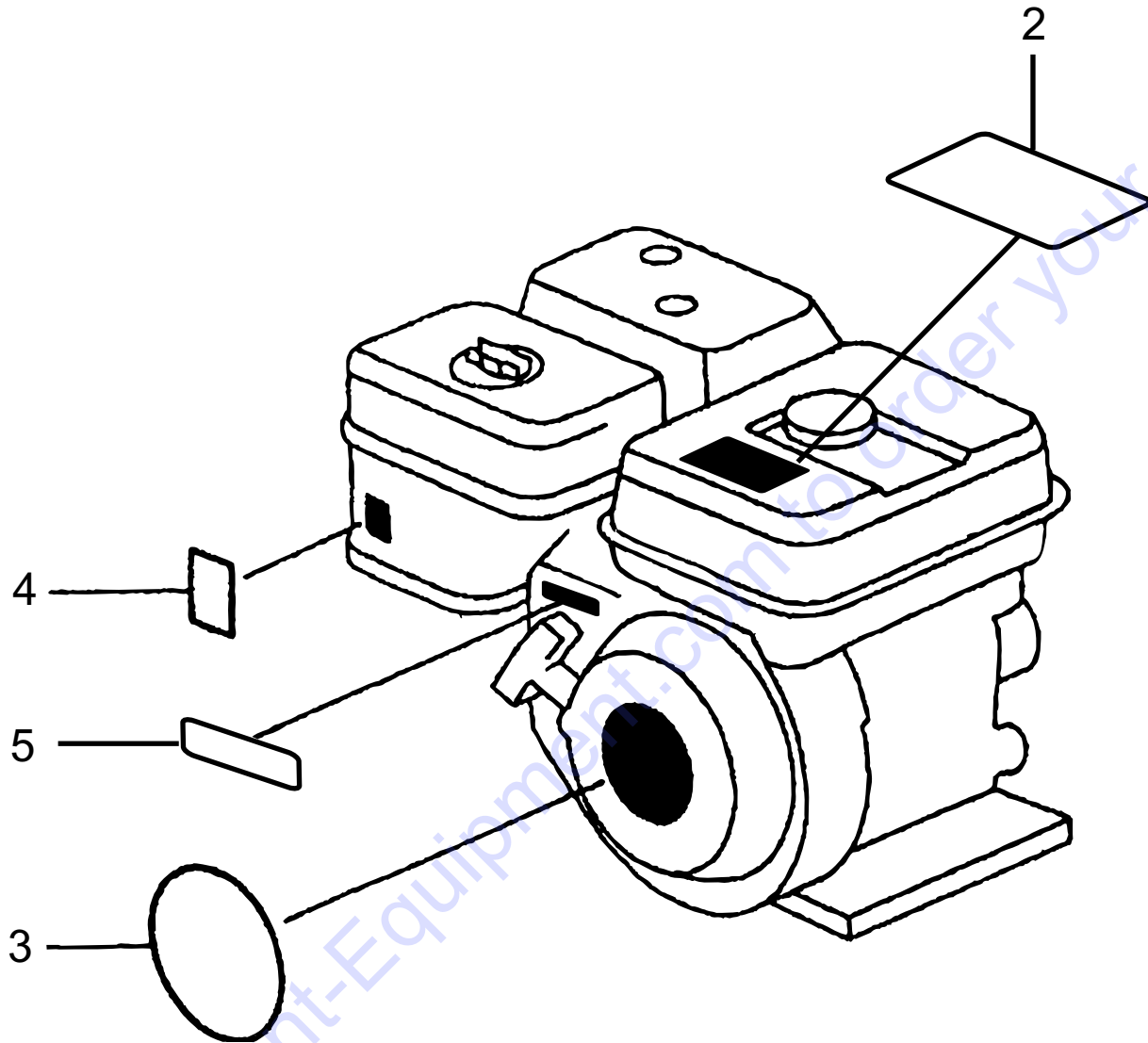


HONDA GX120U1SM12 ENGINE — CONTROL ASSY.

CONTROL ASSY.

| <u>NO.</u> | <u>PART NO.</u> | <u>PART NAME</u> | <u>QTY.</u> | <u>REMARKS</u> |
|------------|-----------------|---------------------------|-------------|--------------------|
| 3 | 16500ZK7U50 | CONTROL ASSY..... | 1..... | INCLUDES ITEMS W/# |
| 6 | 16551ZE0010 | ARM, GOVERNOR | 1 | |
| 8 | 16555ZE0000 | ROD, GOVERNOR | 1 | |
| 10 | 16561ZE0020 | SPRING, GOVERNOR | 1 | |
| 11 | 16562ZE0020 | SPRING, THROTTLE RETURN | 1 | |
| 12# | 16571ZH7000 | LEVER, CONTROL | 1 | |
| 13# | 16574ZE1000 | SPRING, LEVER | 1 | |
| 14# | 16575ZH8000 | WASHER, CONTROL LEVER | 1 | |
| 15# | 16576891000 | HOLDER, CABLE | 2 | |
| 16# | 16578ZE1000 | SPACER, CONTROL LEVER | 1 | |
| 18# | 16580ZH7810 | BASE CONTROL | 1 | |
| 19# | 16584883300 | SPRING, CONTROL ADJUSTING | 1 | |
| 20# | 16592ZE1810 | SPRING, CABLE RETURN | 1 | |
| 21# | 16594883010 | HOLDER, WIRE | 2 | |
| 23 | 90013883000 | BOLT, FLANGE 6X12 (CT200) | 1 | |
| 24 | 90015ZE5010 | BOLT, GOVERNOR ARM | 1 | |
| 26# | 93500050250H | SCREW, PAN 5X25 | 1 | |
| 27 | 90022888010 | BOLT, FLANGE 6X20 (CT200) | 1 | |
| 28# | 90114SA0000 | NUT, SELF- LOCK 6MM | 1 | |
| 29# | 90605230000 | CIRCLIP, 5 MM | 2 | |
| 30# | 93500040060H | SCREW 4X6 | 2 | |
| 31# | 93500050160A | SCREW, PAN 5X16 | 2 | |
| 32 | 9405006000 | NUT, FLANGE 6MM | 1 | |

HONDA GX120U1SM12 ENGINE — DECALS ASSY.



HONDA GX120U1SM12 ENGINE — DECALS ASSY.

LABELS ASSY.

| <u>NO.</u> | <u>PART NO.</u> | <u>PART NAME</u> | <u>QTY.</u> | <u>REMARKS</u> |
|------------|-----------------|---------------------------|-------------|----------------|
| 2 | 87521ZH7000 | MARK, OPERATOR CAUTION | 1 | |
| 3 | 87521ZH7030 | EMBLEM | 1 | |
| 4 | 87528ZH7000 | MARK, CHOKE | 1 | |
| 5 | 87532ZH7000 | MARK, THROTTLE INDICATION | 1 | |

Go to Discount-Equipment.com to order your parts

PARTS FINDER

**Search Website
by Part Number**



**Search Manual
Library For Parts
Manual & Lookup Part
Numbers – Purchase
or Request Quote**

Search Manuals

Enter your information to help us find the right parts manual for your machine.

* Brand:

* Model:

* Serial:

* Part Number:

SEARCH

**Can't Find Part or
Manual? Request Help
by Manufacturer,
Model & Description**

Parts Order Form

Please fill in the following information to help us find the right part for your machine.

MANUFACTURER:

MODEL:

DESCRIPTION:

DATE:

TIME:

PHONE:

EMAIL:

ADDRESS:

CITY:

STATE:

ZIP:

SEARCH

Discount-Equipment.com is your online resource for quality parts & equipment.

Florida: **561-964-4949** Outside Florida TOLL FREE: **877-690-3101**

Need parts?

Click on this link: <http://www.discount-equipment.com/category/5443-parts/> and choose one of the options to help get the right parts and equipment you are looking for. Please have the machine model and serial number available in order to help us get you the correct parts. If you don't find the part on the website or on one of the online manuals, please fill out the request form and one of our experienced staff members will get back to you with a quote for the right part that your machine needs.

We sell worldwide for the brands: Genie, Terex, JLG, MultiQuip, Mikasa, Essick, Whiteman, Mayco, Toro Stone, Diamond Products, Generac Magnum, Airman, Haulotte, Barreto, Power Blanket, Nifty Lift, Atlas Copco, Chicago Pneumatic, Allmand, Miller Curber, Skyjack, Lull, Skytrak, Tsurumi, Husquvarna Target, Stow, Wacker, Sakai, Mi-T-M, Sullair, Basic, Dynapac, MBW, Weber, Bartell, Bennar Newman, Haulotte, Ditch Runner, Menegotti, Morrison, Contec, Buddy, Crown, Edco, Wyco, Bomag, Laymor, EZ Trench, Bil-Jax, F.S. Curtis, Gehl Pavers, Heli, Honda, ICS/PowerGrit, IHI, Partner, Imer, Clipper, MMD, Koshin, Rice, CH&E, General Equipment, Amida, Coleman, NAC, Gradall, Square Shooter, Kent, Stanley, Tamco, Toku, Hatz, Kohler, Robin, Wisconsin, Northrock, Oztec, Toker TK, Rol-Air, APT, Wylie, Ingersoll Rand / Doosan, Innovatech, Con X, Ammann, Mecalac, Makinex, Smith Surface Prep, Small Line, Wanco, Yanmar