

PARTS MANUAL



GLOBUG MODEL GBX24BK LIGHT TOWER

Revision #2 (04/13/22)



THIS MANUAL MUST ACCOMPANY THE EQUIPMENT AT ALL TIMES.

PARTS FINDER

**Search Website
by Part Number**



**Search Manual
Library For Parts
Manual & Lookup Part
Numbers – Purchase
or Request Quote**

Search Manuals

Enter your information to help us find the right parts manual for your machine.

* Brand:

* Model:

* Serial:

* Part Number:

SEARCH

**Can't Find Part or
Manual? Request Help
by Manufacturer,
Model & Description**

Parts Order Form

Please fill in the following information to help us find the right part for your machine.

Manufacturer:	<input type="text"/>
Model:	<input type="text"/>
Description:	<input type="text"/>
Part Number:	<input type="text"/>
Quantity:	<input type="text"/>
Notes:	<input type="text"/>

Discount-Equipment.com is your online resource for quality parts & equipment.

Florida: **561-964-4949** Outside Florida TOLL FREE: **877-690-3101**

Need parts?

Click on this link: <http://www.discount-equipment.com/category/5443-parts/> and choose one of the options to help get the right parts and equipment you are looking for. Please have the machine model and serial number available in order to help us get you the correct parts. If you don't find the part on the website or on one of the online manuals, please fill out the request form and one of our experienced staff members will get back to you with a quote for the right part that your machine needs.

We sell worldwide for the brands: Genie, Terex, JLG, MultiQuip, Mikasa, Essick, Whiteman, Mayco, Toro Stone, Diamond Products, Generac Magnum, Airman, Haulotte, Barreto, Power Blanket, Nifty Lift, Atlas Copco, Chicago Pneumatic, Allmand, Miller Curber, Skyjack, Lull, Skytrak, Tsurumi, Husquvarna Target, Stow, Wacker, Sakai, Mi-T-M, Sullair, Basic, Dynapac, MBW, Weber, Bartell, Bennar Newman, Haulotte, Ditch Runner, Menegotti, Morrison, Contec, Buddy, Crown, Edco, Wyco, Bomag, Laymor, EZ Trench, Bil-Jax, F.S. Curtis, Gehl Pavers, Heli, Honda, ICS/PowerGrit, IHI, Partner, Imer, Clipper, MMD, Koshin, Rice, CH&E, General Equipment, Amida, Coleman, NAC, Gradall, Square Shooter, Kent, Stanley, Tamco, Toku, Hatz, Kohler, Robin, Wisconsin, Northrock, Oztec, Toker TK, Rol-Air, APT, Wylie, Ingersoll Rand / Doosan, Innovatech, Con X, Ammann, Mecalac, Makinex, Smith Surface Prep, Small Line, Wanco, Yanmar

TABLE OF CONTENTS

GBX24BK Light Tower

Explanation Of Code In Remarks Column.....	4
Suggested Spare Parts	5

Component Drawings

Nameplate And Decals.....	6-7
Nameplate And Decals (Control Box).....	8-9
Nameplate And Decals (Balloon)	10-11
Base Group 1 Assembly.....	12-13
Base Group 2 Assembly.....	14-15
Frame 1 Assembly (Muffler)	16-17
Frame 2 Assembly (Control Box).....	18-19
Engine Base Assembly.....	20-21
Engine Base Assembly (Radiator).....	22-23
Fuel Assembly	24-25
Enclosure Assembly	26-27
Rear Enclosure/Cover Assembly.....	28-29
Mast Group 1 Assembly	30-31
Mast Group 2 Assembly	32-33
Winch Assembly	34-35
Lamp Stand Assembly.....	36-37
Lamp Assembly	38-41
Battery Assembly.....	42-43
Control Panel Assembly	44-45
Electrical Components Assembly	46-47
AC Wiring Assembly	48-49
DC Wiring Assembly.....	50-51
Engine Wiring 1 Assembly.....	52-53
Engine Wiring 2 Assembly.....	54-55
Trailer Wiring Lights Assembly.....	56-57
Engine Service Parts.....	58-59

NOTICE

Part numbers are subject to change without notice.

EXPLANATION OF CODE IN REMARKS COLUMN

The following section explains the different symbols and remarks used in the Parts section of this manual. Use the help numbers found on the back page of the manual if there are any questions.

NOTICE

The contents and part numbers listed in the parts section are subject to change **without notice**. Multiquip does not guarantee the availability of the parts listed.

SAMPLE PARTS LIST

NO.	PART NO.	PART NAME	QTY.	REMARKS
1	12345	BOLT	1	INCLUDES ITEMS W/%
2%		WASHER, 1/4 IN.		NOT SOLD SEPARATELY
2%	12347	WASHER, 3/8 IN. ...	1	MQ-45T ONLY
3	12348	HOSE	A/R	MAKE LOCALLY
4	12349	BEARING	1	S/N 2345B AND ABOVE

NO. Column

Unique Symbols — All items with same unique symbol (@, #, +, %, or >) in the number column belong to the same assembly or kit, which is indicated by a note in the “Remarks” column.

Duplicate Item Numbers — Duplicate numbers indicate multiple part numbers, which are in effect for the same general item, such as different size saw blade guards in use or a part that has been updated on newer versions of the same machine.

NOTICE

When ordering a part that has more than one item number listed, check the remarks column for help in determining the proper part to order.

PART NO. Column

Numbers Used — Part numbers can be indicated by a number, a blank entry, or TBD.

TBD (To Be Determined) is generally used to show a part that has not been assigned a formal part number at the time of publication.

A blank entry generally indicates that the item is not sold separately or is not sold by Multiquip. Other entries will be clarified in the “Remarks” Column.

QTY. Column

Numbers Used — Item quantity can be indicated by a number, a blank entry, or A/R.

A/R (As Required) is generally used for hoses or other parts that are sold in bulk and cut to length.

A blank entry generally indicates that the item is not sold separately. Other entries will be clarified in the “Remarks” Column.

REMARKS Column

Some of the most common notes found in the “Remarks” Column are listed below. Other additional notes needed to describe the item can also be shown.

Assembly/Kit — All items on the parts list with the same unique symbol will be included when this item is purchased.

Indicated by:

“INCLUDES ITEMS W/(unique symbol)”

Serial Number Break — Used to list an effective serial number range where a particular part is used.

Indicated by:

“S/N XXXXX AND BELOW”

“S/N XXXX AND ABOVE”

“S/N XXXX TO S/N XXX”

Specific Model Number Use — Indicates that the part is used only with the specific model number or model number variant listed. It can also be used to show a part is NOT used on a specific model or model number variant.

Indicated by:

“XXXXX ONLY”

“NOT USED ON XXXX”

“Make/Obtain Locally” — Indicates that the part can be purchased at any hardware shop or made out of available items. Examples include battery cables, shims, and certain washers and nuts.

“Not Sold Separately” — Indicates that an item cannot be purchased as a separate item and is either part of an assembly/kit that can be purchased, or is not available for sale through Multiquip.

SUGGESTED SPARE PARTS

GBX24BK GLOBUG LIGHT TOWER

1 to 3 units

Qty.	P/N	Description
2	A400507500	SIDE WIND JACK STAND
1	A300397500	GENERATOR
1	E000220300	A TYPE FUSE, 50A
1	A400483301	FUSE 1
1	A400483401	FUSE 2
1	A400483501	FUSE 3
1	A400483601	FUSE 4
1	A400483701	FUSE 5
1	A400483801	FUSE 6
1	E000219900	FUSE 1, 5A
1	E000220000	FUSE 2, 10A
1	E000220100	FUSE 3, 20A
1	E000220200	FUSE 4, 30A
1	A100140900	MAIN BALLOON BAG
1	A100146600	VINYL BALLOON COVER
1	A100144600	TOP ZIPPER SHEET
1	A100144700	BALLOON SHEET
1	A300394100	DC FAN MOTOR
1	A300394200	DC BLOWER ASSY.
1	A000083100	CONTROL BOARD
1	EEN0021100	CAPACITOR, 20 μ F, 2"X4"
1	E000209100	IGNITION SWITCH
2	EEN0020900	START KEY

KUBOTA Z482-E4BG ENGINE

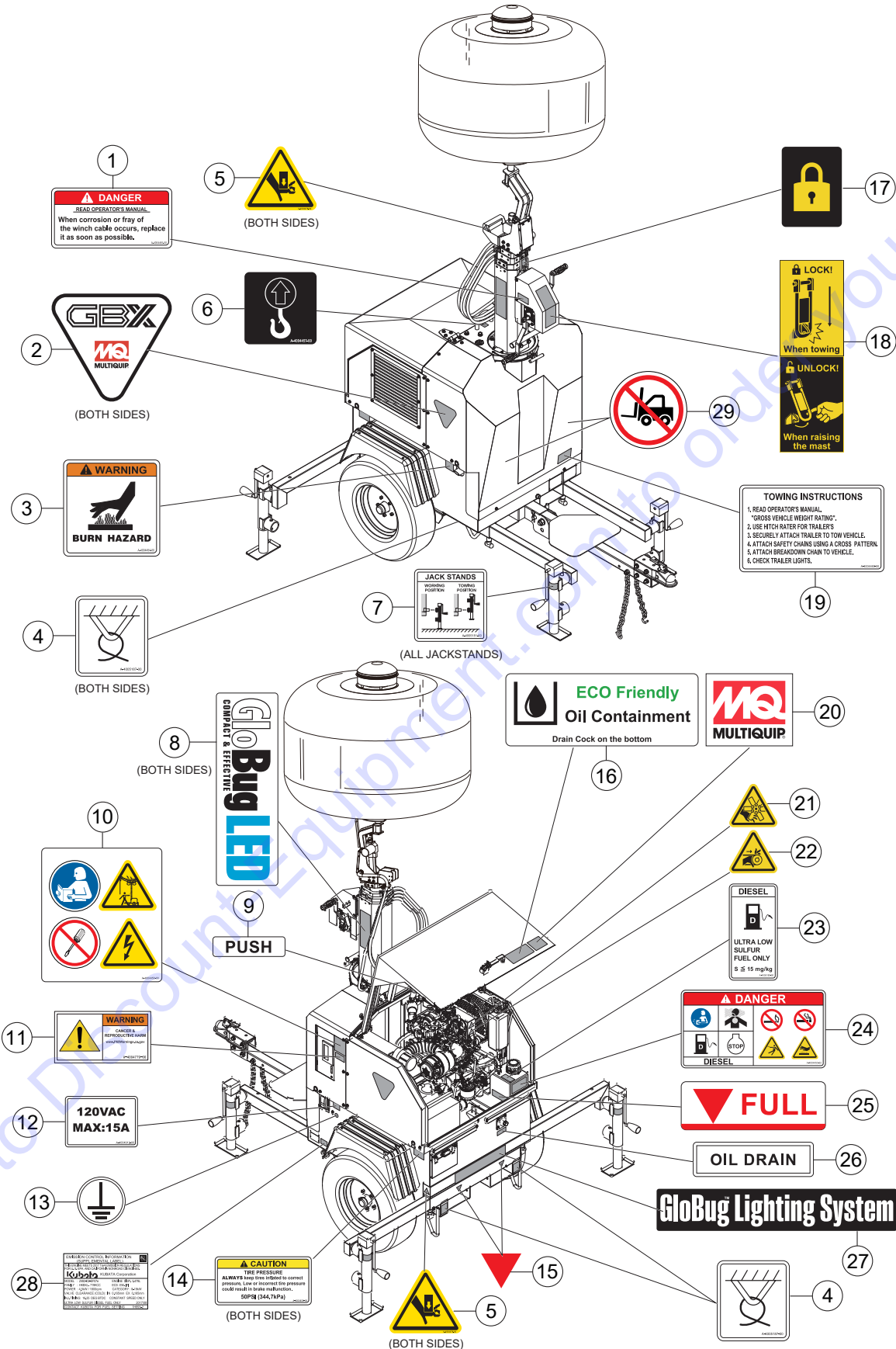
1 to 3 units

Qty.	P/N	Description
1	1T02143560	ELEM., FUEL/WATER SEP.
3	1J09032430	CARTRIDGE, OIL FILTER
3	1G65911220	ELEMENT, AIR FILTER
2	1C01042461	IN-LINE FUEL FILTER
1	E000170600	FUEL CAP SET W/ FILTER
1	A400449101	FUEL CAP O-RING
1	36920-4	FUEL PUMP, 12VDC
1	0602011079	CAP, RADIATOR
1	1522443010	CANISTER, FUEL FILTER
1	1980572530	V-BELT, 34.5"

NOTICE

Part numbers on this Suggested Spare Parts list may supersede/replace the part numbers shown in the following parts lists.

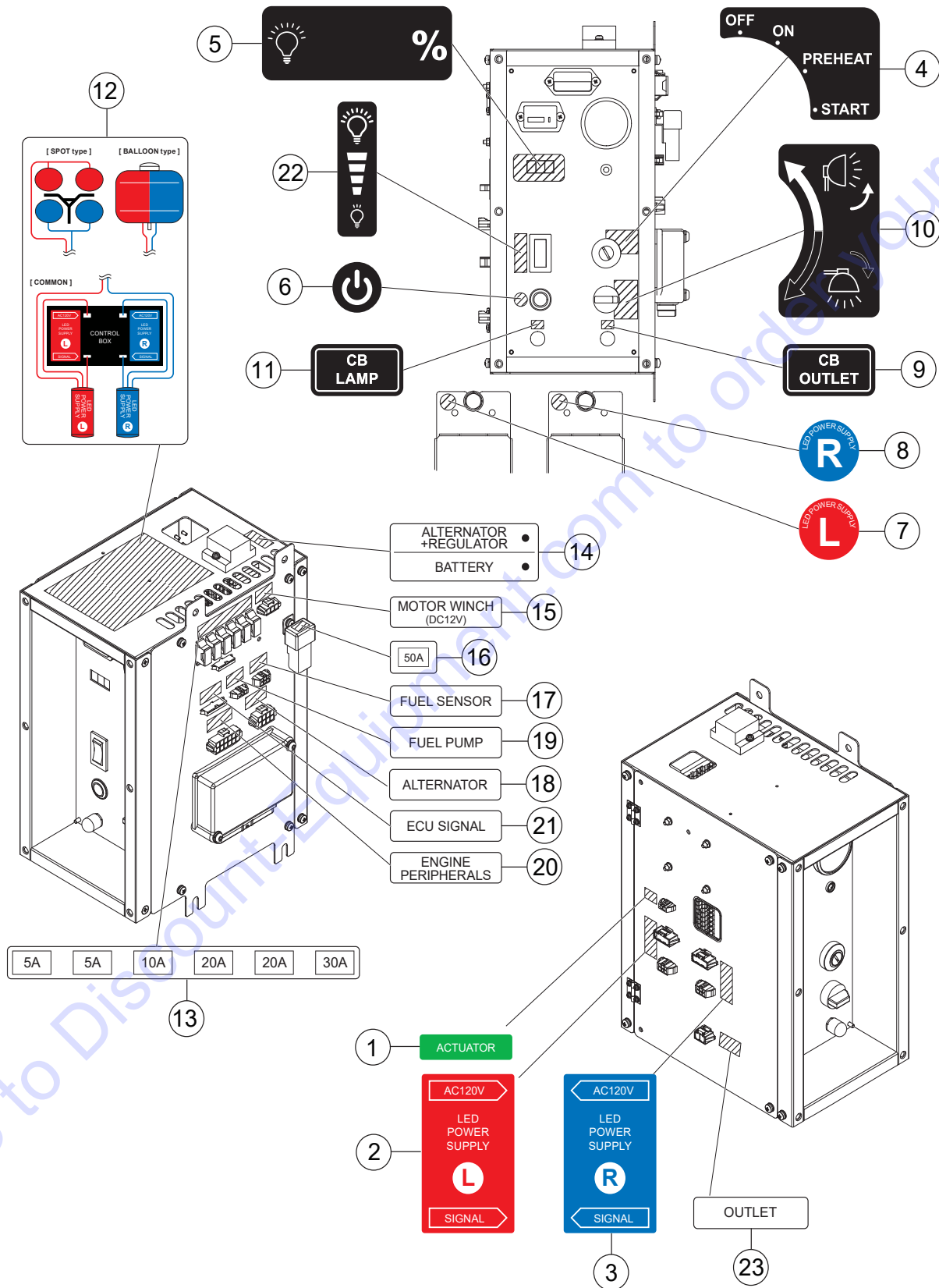
NAMEPLATE AND DECALS



NAMEPLATE AND DECALS

<u>NO.</u>	<u>PART NO.</u>	<u>PART NAME</u>	<u>QTY.</u>	<u>REMARKS</u>
1	A400446100	DECAL; WINCH CABLE	1	
2	A300376400	DECAL; GBX LOGO	2	
3	A400445400	DECAL; BURN HAZARD	1	
4	A400518700	DECAL; TIE DOWN	4	
5	A400447800	DECAL; FINGER CAUTION	4	
6	A400445700	DECAL; LIFTING POINT	1	
7	A400518100	DECAL; JACKSTANDS	4	
8	A300402500	DECAL; GLO BUG LED	2	
9	A400518800	DECAL; PUSH	1	
10	A400445900	DECAL; CAUTION, READ MANUAL	1	
11	A400477900	DECAL; WARNING (CALIFORNIA-P65)	1	
12	A400491200	DECAL; OUTLET	1	
13	A400457300	DECAL; EARTH \varnothing 25	1	
14	A400445800	DECAL; TIRE PRESSURE	2	
15	A400111200	DECAL; TRIANGLE, RED	2	
16	A300426200	DECAL; OIL CONTAINMENT	1	
17	A400488400	DECAL; LOCK	1	
18	A300402200	DECAL; LOCK/UNLOCK	1	
19	A400446000	DECAL; TOWING INSTRUCTION	1	
20	A400447300	DECAL; MQ LOGO	1	
21	A400481700	DECAL; DANGEROUS 1	1	
22	A400481800	DECAL; DANGEROUS 2	1	
23	A400518900	DECAL; DIESEL	1	
24	A400445502	DECAL; DANGER, FUEL	1	
25	A400491900	DECAL; FULL	1	
26	A400518600	DECAL; OIL DRAIN	1	
27	A400447600	DECAL; GLOBUG FRAME	1	
28	EEN0021200	DECAL; EPA EXHAUST CERTIFICATION	1	
29	A400551800	DECAL; NO FORKLIFT	2	

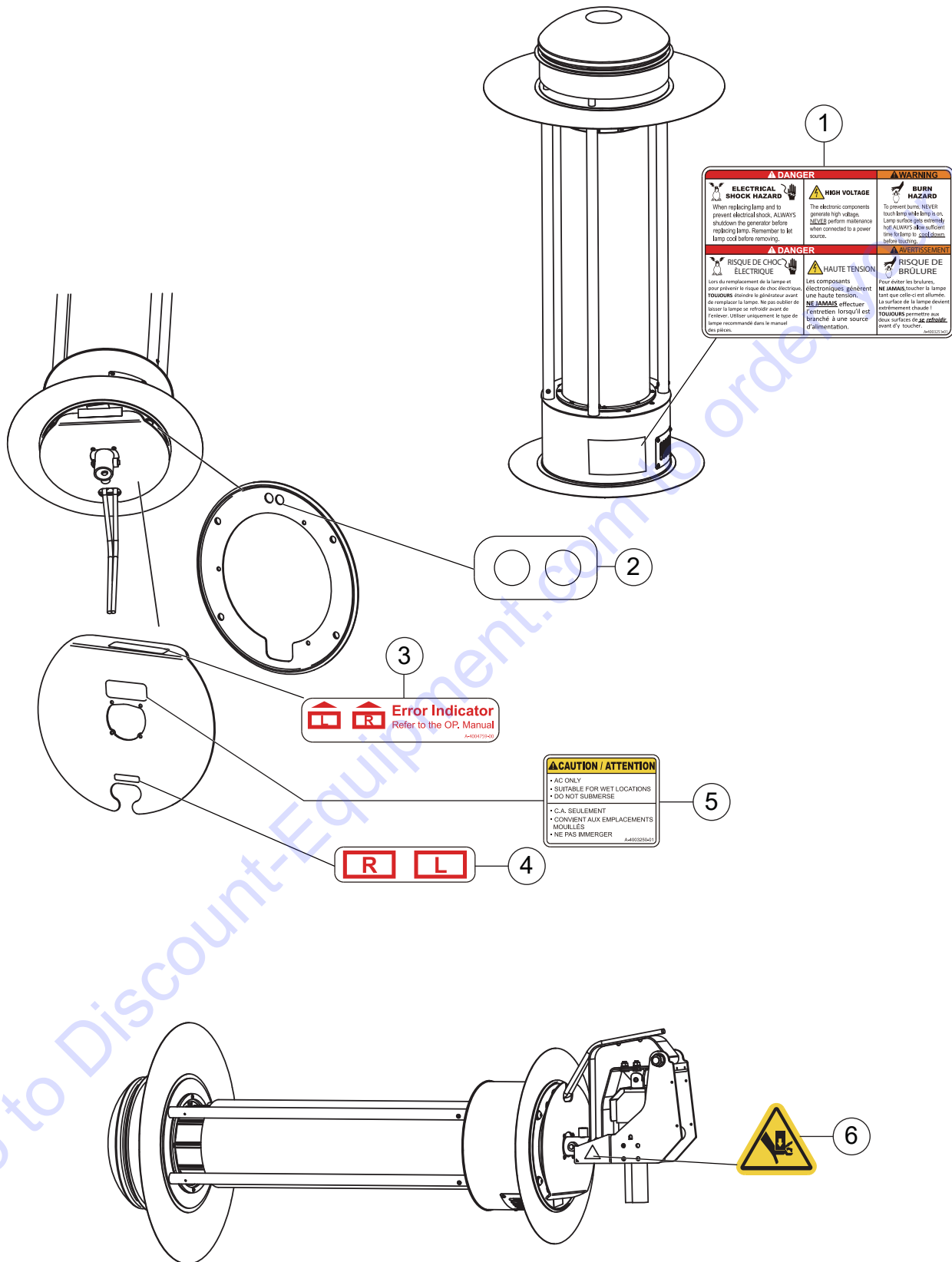
NAMEPLATE AND DECALS (CONTROL BOX)



NAMEPLATE AND DECALS (CONTROL BOX)

<u>NO.</u>	<u>PART NO.</u>	<u>PART NAME</u>	<u>QTY.</u>	<u>REMARKS</u>
1	A400490000	DECAL; ACTUATOR	1	
2	A400489800	DECAL; LED POWER SPLY. (L) CONNECT.	1	
3	A400489900	DECAL; LED POWER SPLY. (R) CONNECT.	1	
4	A400487400	DECAL; IGNITION KEY SWITCH	1	
5	A400448501	DECAL; DIMMING	1	
6	A400481301	DECAL; LIGHT SWITCH	1	
7	A400488700	DECAL; LED POWER SUPPLY, LEFT	1	
8	A400488800	DECAL; LED POWER SUPPLY, RIGHT	1	
9	A400490900	DECAL; CB OUTLET	1	
10	A400487500	DECAL; ACTUATOR SWITCH	1	
11	A400487600	DECAL; CB LAMP	1	
12	A400488600	DECAL; LED POWER CONNECTION	1	
13	A400488900	DECAL; FUSES	1	
14	A400490200	DECAL; ALTERNATOR + REGULATOR	1	
15	A400489000	DECAL; MOTOR WINCH, DC12V	1	
16	A400490100	DECAL; FUSE, 50A	1	
17	A400489100	DECAL; FUEL SENSOR	1	
18	A400489600	DECAL; ALTERNATOR	1	
19	A400489200	DECAL; FUEL PUMP	1	
20	A400489700	DECAL; ENGINE PERIPHERALS	1	
21	A400489500	DECAL; ECU SIGNAL	1	
22	A400481400	DECAL; DIMMING CONTROL SWITCH	1	
23	A400491200	DECAL; OUTLET	1	

NAMEPLATE AND DECALS (BALLOON)

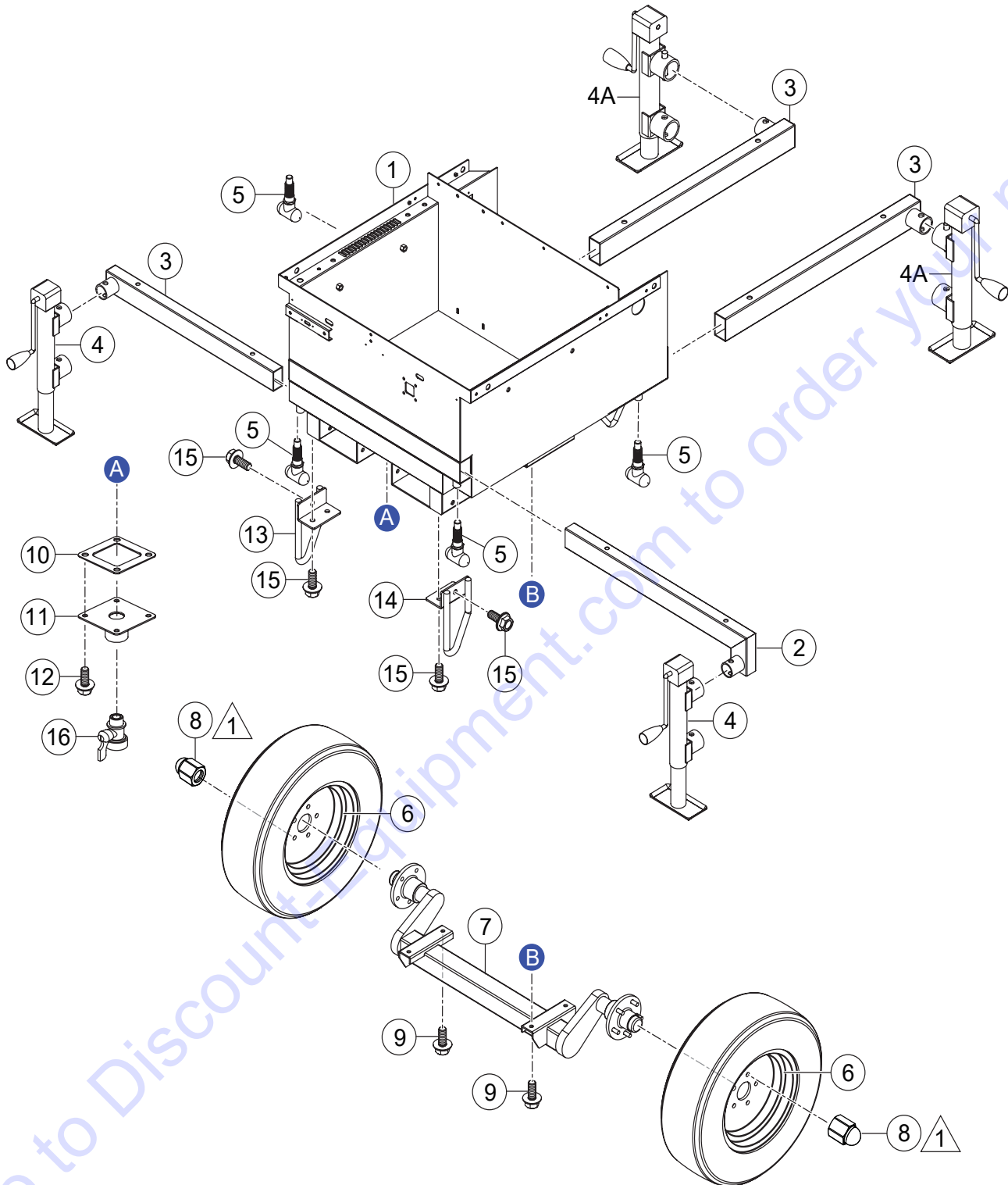


NAMEPLATE AND DECALS (BALLOON)

<u>NO.</u>	<u>PART NO.</u>	<u>PART NAME</u>	<u>QTY.</u>	<u>REMARKS</u>
1	A400325101	DECAL; DANGER, ELECTRICAL SHOCK HAZARD	1	
2	A400475600	DECAL; CLEAR	1	
3	A400475900	DECAL; ERROR INDICATOR	1	
4	A400476100	DECAL; L-R	1	
5	A400325001	DECAL; DANGER, BALLOON INFORMATION	1	
6	A400447800	DECAL; FINGER CAUTION	1	

Go to Discount-Equipment.com to order your parts

BASE GROUP 1 ASSY.



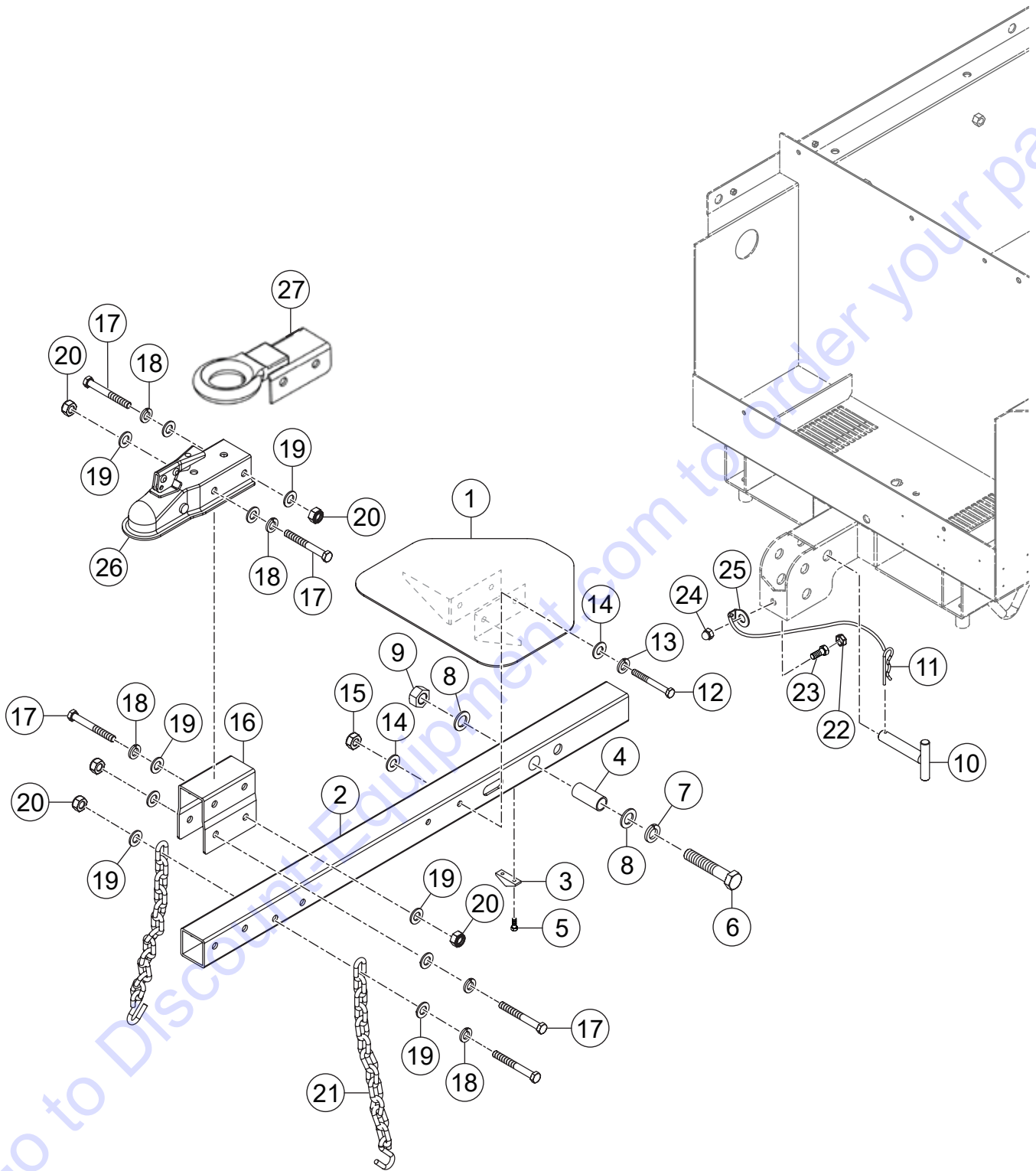
NOTES:

- ▲ 1 WHEEL NUT INCLUDED WITH ITEM 7 RUBBER TORSION AXLE.

BASE GROUP 1 ASSY.

<u>NO.</u>	<u>PART NO.</u>	<u>PART NAME</u>	<u>QTY.</u>	<u>REMARKS</u>
1	A100159000	FRAME	1	
2	A100150302	FRONT LEFT OUTRIGGER	1	
3	A100150202	FRONT RIGHT OUTRIGGER	3	
4	A400507500	SIDE WIND JACK STAND	2.....	S/N G4600009 AND BELOW
4	A400507500	SIDE WIND JACK STAND	2.....	S/N G4600010 AND ABOVE
4A	A400507500	SIDE WIND JACK STAND	2.....	S/N G4600009 AND BELOW
4A	A300445700	TOP WIND JACK STAND	2.....	S/N G4600065 AND ABOVE
5	A400433802	SPRING LOADED OUTRIGGER PIN	4	
6	EE45318	WHEEL/TIRE ST175/80-13 LR C	2	
7	A100152700	RUBBER TORSION AXLE W/WHEEL NUT ...	1.....	INCLUDES ITEMS W/#
8#	E000188700	WHEEL LUG NUT 1/2	10	
9	0013512030	BOLT AND WASHER ASSY. M12X30	4	
10	A400474700	OIL PAN GASKET	1	
11	A400473101	OIL PAN PLATE	1	
12	0016806015	FLANGE BOLT, M6X15	4	
13	A300419400	TIE DOWN POST, LEFT	1	
14	A300419500	TIE DOWN POST, RIGHT	1	
15	0013512025	BOLT AND WASHER ASSY. M12X25	6	
16	E000236100	OIL BALL VALVE	1	

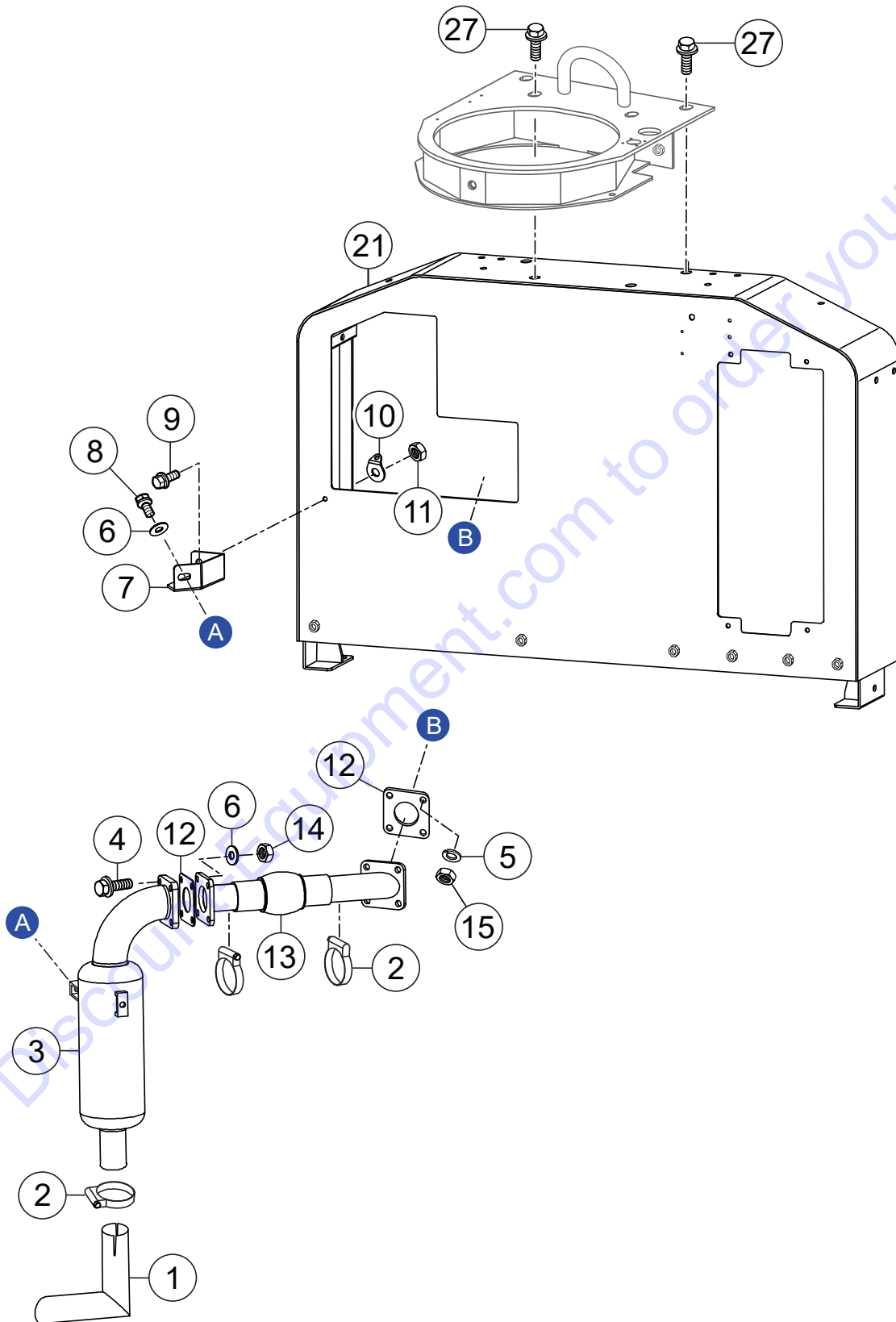
BASE GROUP 2 ASSY.



BASE GROUP 2 ASSY.

<u>NO.</u>	<u>PART NO.</u>	<u>PART NAME</u>	<u>QTY.</u>	<u>REMARKS</u>
1	A100142700	STEP PLATFORM	1	
2	A100153201	TOW BAR ASSY.	1	
3	A400425100	TOW BAR BUMPER PAD	1	
4	A400496001	TOW BAR BUSHING	1	
5	0015305016	BUMPER PAD BOLT, M5X16	2	
6	0013120110	BOLT, M20X110	1	
7	0043220000	WASHER, LOCK M20	1	
8	0043120000	WASHER, M20	2	
9	0033220000	SELF-LOCK NUT, M20	1	
10	A300410001	TOW BAR "T" BOLT	1	
11	E000245100	"T" BOLT SAFETY CLIP	1	
12	0013110090	BOLT, M10X90	2	
13	0043210000	WASHER, LOCK M10	2	
14	0043110000	WASHER, M10	4	
15	0033210000	SELF-LOCK NUT M10	2	
16	A300412801	COUPLER BRACKET	1	
17	0013110100	BOLT, M12X100	5	
18	0043212000	WASHER, LOCK M12	5	
19	0043112000	WASHER M12	10	
20	0033212000	SELF-LOCK NUT, M12	5	
21	13363KITLT	SAFETY CHAIN ASSY.	2	
22	E000236300	CAP BOLT, M10	1	
23	0013110025	BOLT, M10X25	1	
24	0036110000	CAP NUT, M10 BLACK	1	
25	A400520100	WIRE, TOW BAR CABLE W/WASHER	1	
26	29546	2" BALL COUPLER	1	
27	34953	LOOP COUPLER.....	1.....	OPTIONAL

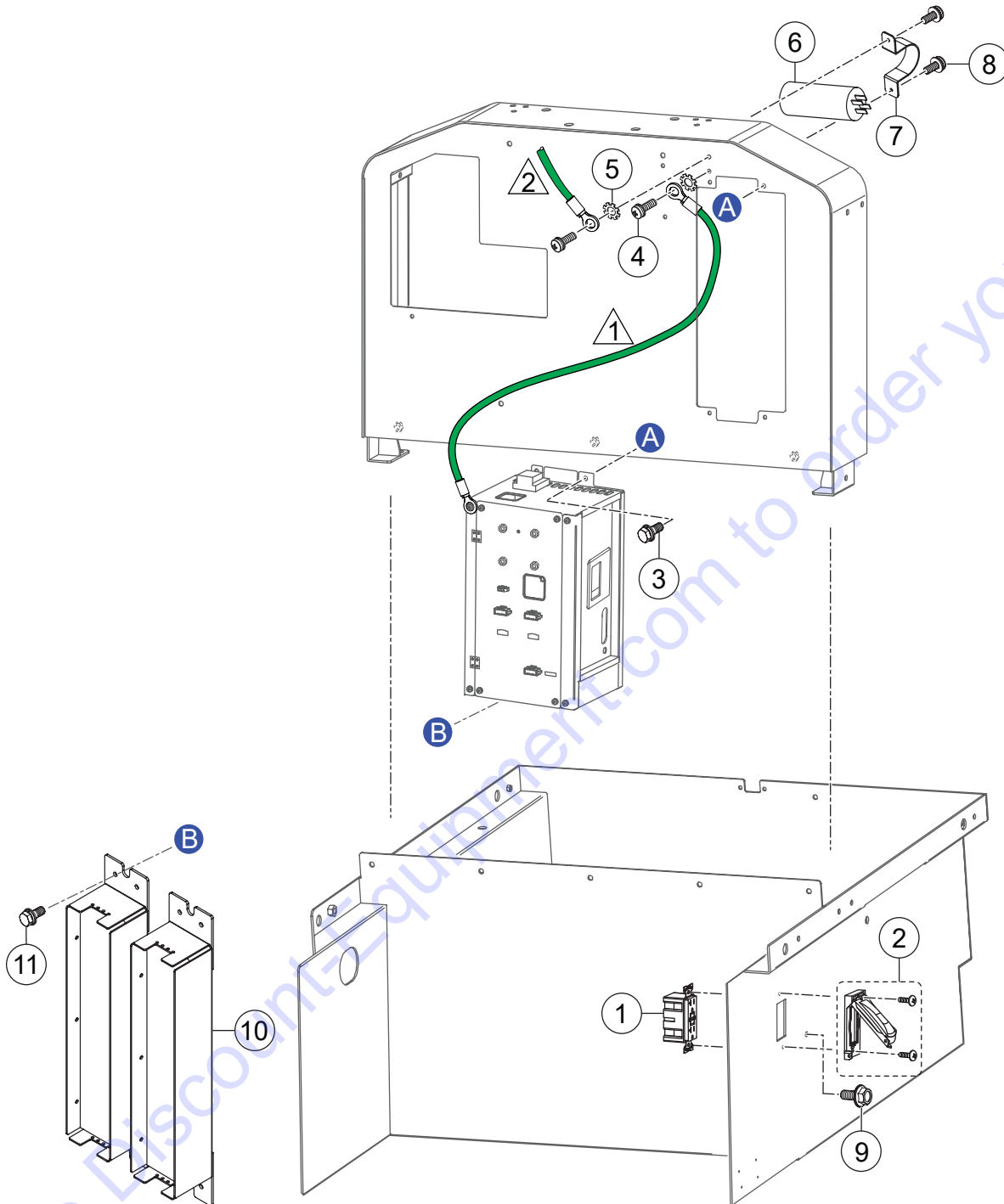
FRAME 1 ASSY. (MUFFLER)



FRAME 1 ASSY. (MUFFLER)

<u>NO.</u>	<u>PART NO.</u>	<u>PART NAME</u>	<u>QTY.</u>	<u>REMARKS</u>
1	A300409002	MUFFLER, ELBOW PIPE	1	
2	E000183100	MUFFLER, CLAMP	3	
3	E000210000	MUFFLER	1	
4	0013508030	BOLT AND WASHER ASSY. M8X30	4	
5	EEN0020800	WASHER, LOCK M8	4	
6	0043108000	WASHER, M8	5	
7	A300391102	BRACKET, MUFFLER	1	
8	0013506016	BOLT AND WASHER ASSY. M6X16	1	
9	0013508025	BOLT AND WASHER ASSY. M8X25	1	
10	2204510110	CABLE, FASTENER WASHER	1	
11	0033108000	NUT, M8	1	
12	E000209500	MUFFLER, GASKET	2	
13	A200145800	MUFFLER, EXHAUST PIPE.....	1.....	INCLUDES HEAT SHIELD WRAP
14	0033208000	SELF-LOCK NUT, M8	4	
15	EEN0020700	NUT, M8	4	
21	A100158900	FRONT CABINET COVER	1	
27	0013512025	BOLT AND WASHER ASSY. M12X25	4	

FRAME 2 ASSY. (CONTROL BOX)



NOTES:

△1 REFERENCE ELECTRICAL COMPONENTS ASSY., ITEM 12.

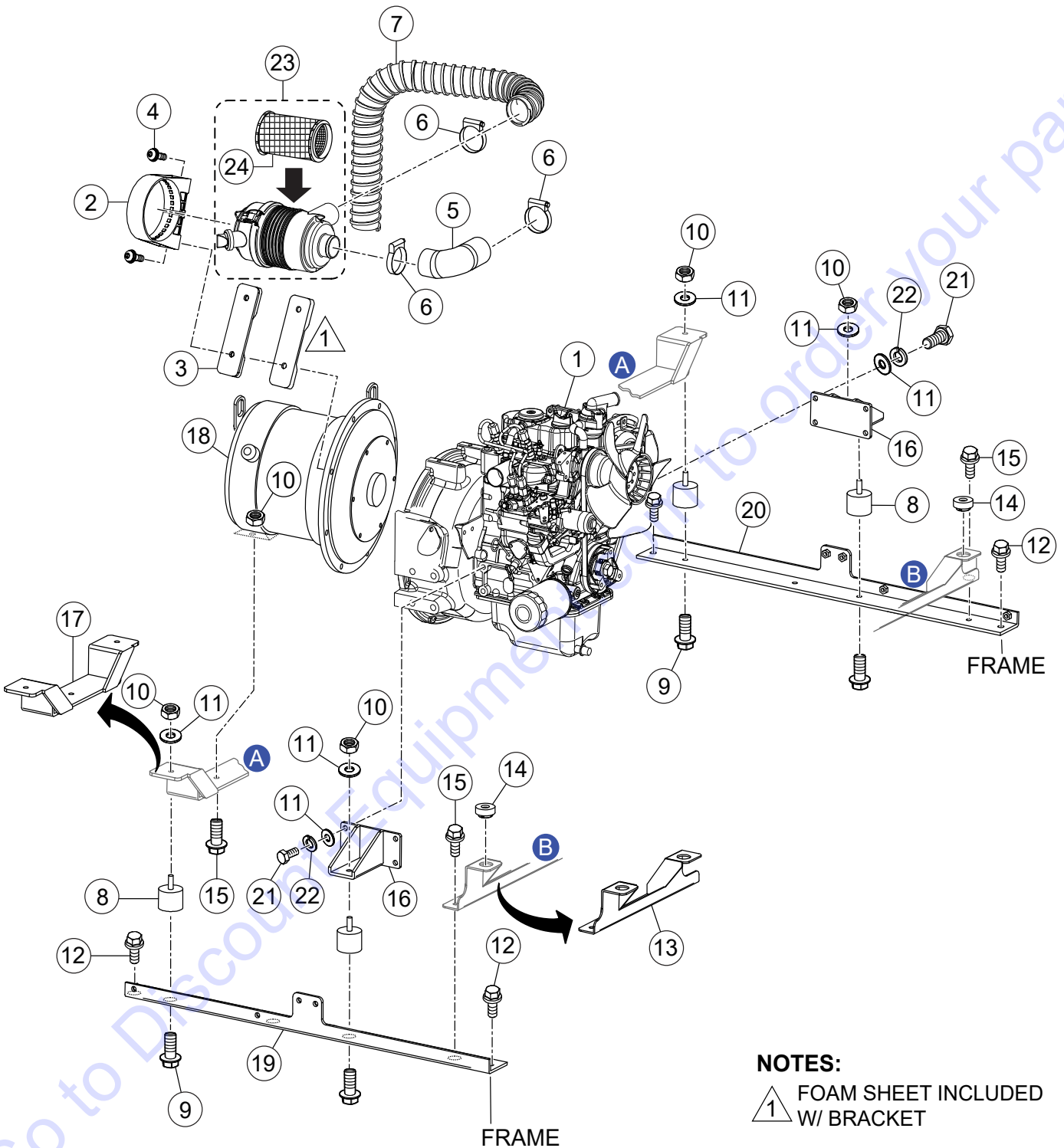
△2 REFERENCE LAMP STAND ASSY., ITEM 24. GROUND WIRE.

FRAME 2 ASSY. (CONTROL BOX)

<u>NO.</u>	<u>PART NO.</u>	<u>PART NAME</u>	<u>QTY.</u>	<u>REMARKS</u>
1	E000213400	PLUG, GFCI	1	
2	E000170800	COVER, GFCI W/SCREW M4X25	1	
3	0013508020	BOLT AND WASHER ASSY. M8X20	4	
4	0023305010	SCREW AND WASHER ASSY. M5X10	2	
5	0043905000	TOOTHED LOCK WASHER, M5	2	
6	EEN0021100	CAPACITOR, 20 μ F, SIZE 2"X4"	1	
7	E000215500	CAPACITOR HOLDER W/WASHER	1	
8	0023304010	SCREW AND WASHER ASSY. M4X10	2	
9	0016806015	FLANGE BOLT, M6X15	1	
10	A000094000	LED POWER SUPPLY ASSY.	2	
11	0013510025	BOLT AND WASHER ASSY. M10X25	2	

Go to Discount-Equipment.com to order your parts

ENGINE BASE ASSY.



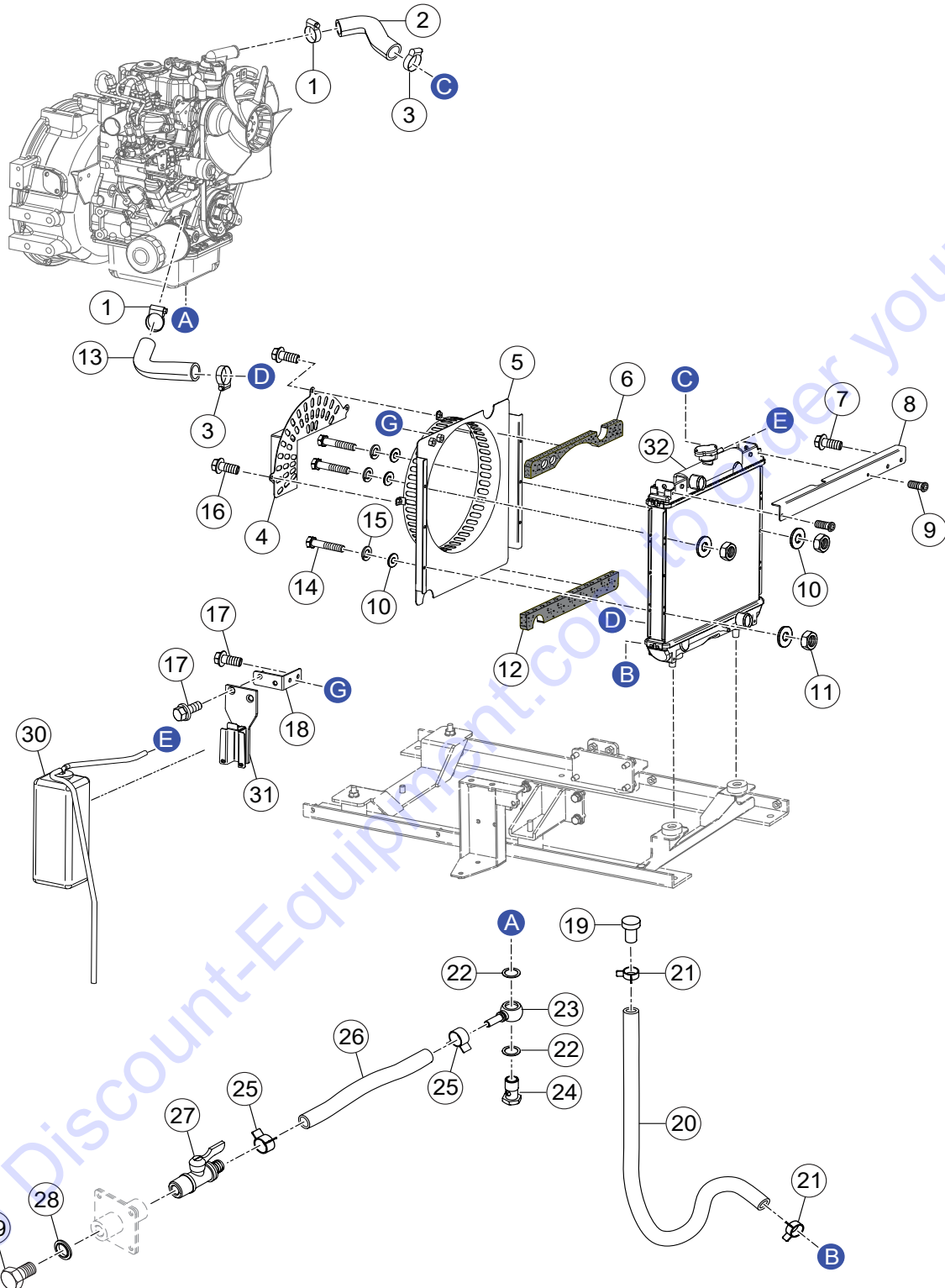
NOTES:

- △ 1 FOAM SHEET INCLUDED W/ BRACKET

ENGINE BASE ASSY.

<u>NO.</u>	<u>PART NO.</u>	<u>PART NAME</u>	<u>QTY.</u>	<u>REMARKS</u>
1	EEN0019800	ENGINE, KUBOTA Z482	1	
2	EEN0019900	AIR CLEANER HOLDER	1	
3	A300411800	AIR CLEANER BRACKET W/SHEET	1	
4	0014808025	BTN. BOLT AND WASHER ASSY. M8X25	2	
5	A300382401	AIR CLEANER HOSE	1	
6	E000214900	HOSE CLEANER C CLAMP	3	
7	A400482000	AIR CLEANER ELBOW HOSE	1	
8	E000215200	ENGINE ANTI-VIBRATION PAD	4	
9	0013510040	BOLT AND WASHER ASSY. M10X40	4	
10	0033110000	NUT, M10	5	
11	0043110000	WASHER, M10	12	
12	0013512025	BOLT AND WASHER ASSY. M12X25	4	
13	A100153001	RADIATOR BRACKET	1	
14	E000208000	RADIATOR ANTI-VIBRATION PAD	2	
15	0013510025	BOLT AND WASHER ASSY. M10X25	3	
16	A200158000	ENGINE BRACKET	2	
17	A100141600	GENERATOR BRACKET	1	
18	A300397500	GENERATOR	1	
19	A200157800	MAIN ENGINE BASE LEFT	1	
20	A200157900	MAIN ENGINE BASE RIGHT	1	
21	E000217900	BOLT, M10X25X1.25	8	
22	0043210000	WASHER, LOCK M10	8	
23	EEN0020000	AIR CLEANER ASSY.....	1	INCLUDES ITEMS W/#
24#	1G65911220	ELEMENT, AIR FILTER	1	

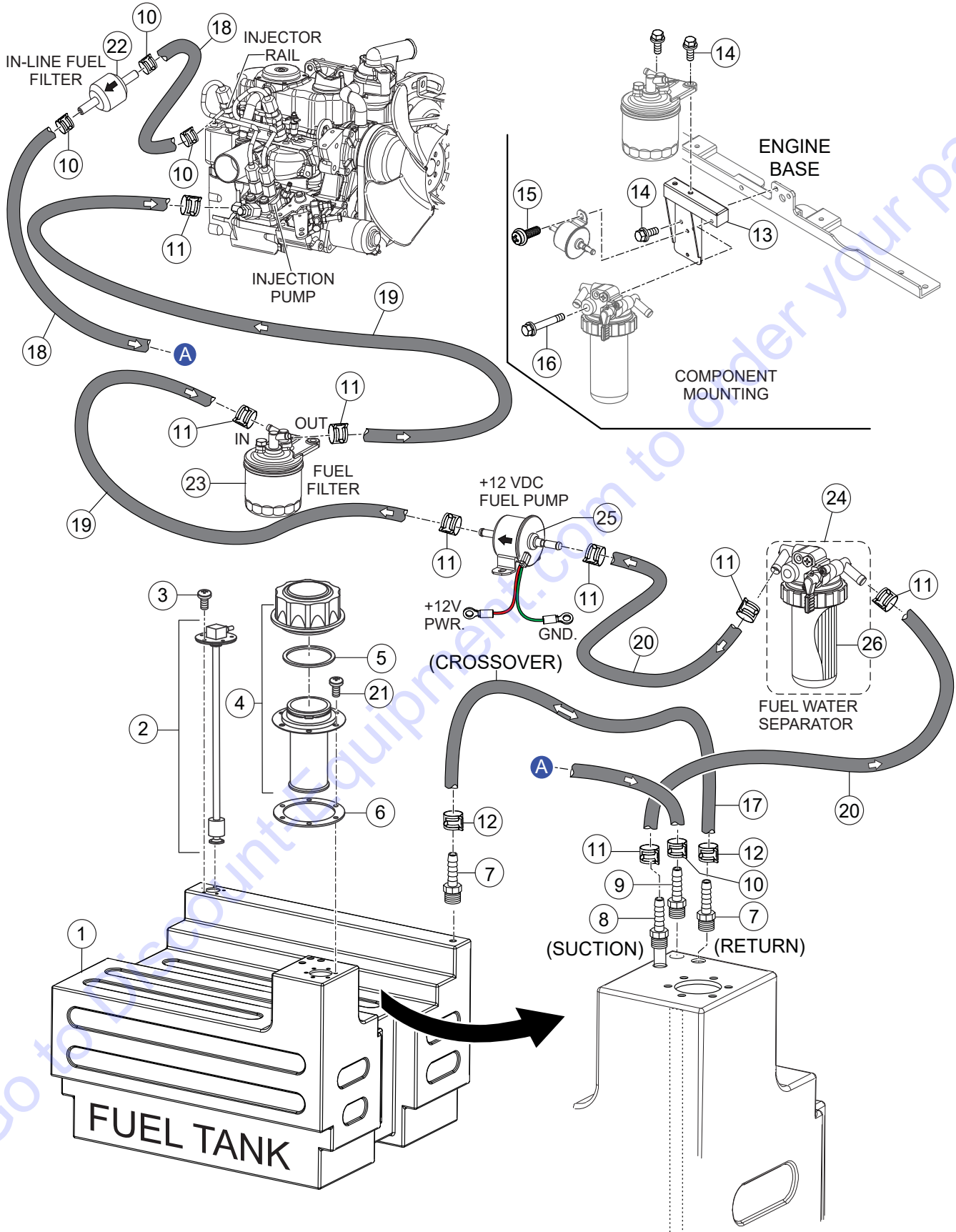
ENGINE BASE ASSY. (RADIATOR)



ENGINE BASE ASSY. (RADIATOR)

<u>NO.</u>	<u>PART NO.</u>	<u>PART NAME</u>	<u>QTY.</u>	<u>REMARKS</u>
1	E000214800	HOSE BAND 1	2	
2	A300382501	HOSE 1, RADIATOR	1	
3	E000214700	HOSE BAND 2	2	
4	A200145700	GUARD, FAN	1	
5	A100145100	SHROUD, FAN	1	
6	A300394500	RADIATOR GASKET, UPPER	1	
7	0013506016	BOLT AND WASHER ASSY. M6X16	2	
8	A200158301	BRACKET 2, RADIATOR	1	
9	0027006010	FLAT HD. SCREW, M6X10	2	
10	0043105000	WASHER, M5	12	
11	0033105000	NUT, M5	6	
12	A300394600	RADIATOR GASKET, LOWER	1	
13	A300382601	ELBOW HOSE, RADIATOR	1	
14	0013105045	BOLT, M5X45	6	
15	0043205000	WASHER, LOCK M5	6	
16	0013505010	BOLT AND WASHER ASSY. M5X10	3	
17	0013508020	BOLT AND WASHER ASSY. M8X20	4	
18	A400457200	BRACKET, RESERVOIR TANK	1	
19	E000241400	RADIATOR PLUG	1	
20	E000175100	HOSE, RADIATOR 23.6 IN. (599 MM)	1	
21	E000221000	HOSE CLAMP, RADIATOR	2	
22	E000236900	COPPER WASHER, M22	2	
23	E000236500	BANJO BOLT, M22X1.5	1	
24	E000236600	HOSE BANJO, M22X1.5X1/2"	1	
25	E000219700	HOSE CLAMP, RADIATOR DRAIN	2	
26	E000217700	OIL HOSE, 11.8 IN. (300 MM)	1	
27	E000236200	BALL VALVE	1	
28	E000182700	SEAL WASHER, M16	1	
29	0013116020	BOLT, M16X20	1	
30	EEN0020100	OVERFLOW RADIATOR TANK	1	
31	EEN0020200	BRACKET, RADIATOR OVERFLOW TANK	1	
32	EEN0021000	RADIATOR	1	

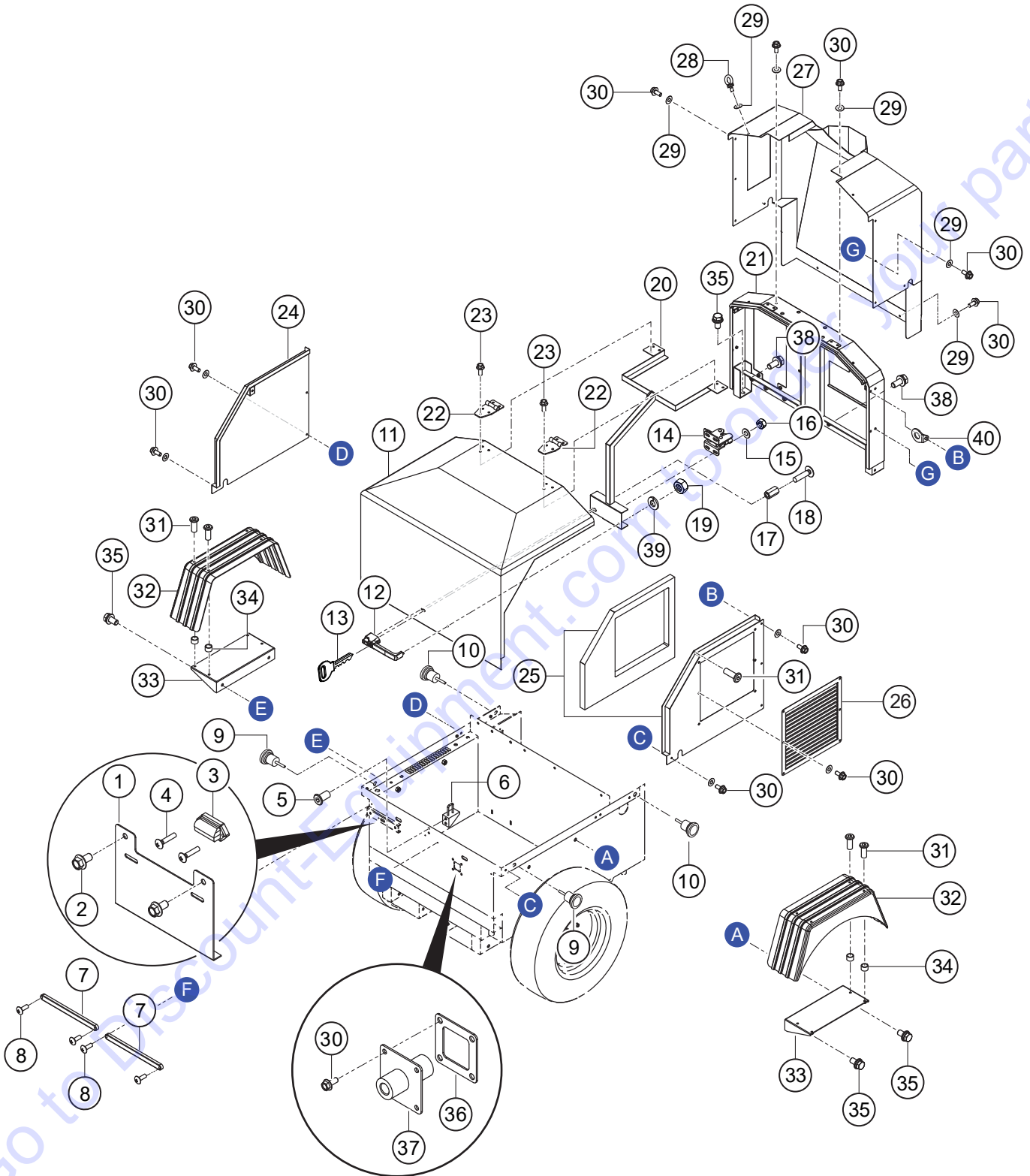
FUEL ASSY.



FUEL ASSY.

<u>NO.</u>	<u>PART NO.</u>	<u>PART NAME</u>	<u>QTY.</u>	<u>REMARKS</u>
1	A100151100	FUEL TANK	1	
2	A300397400	OIL TANK LEVEL SENSOR	1	
3	0019005012	BOLT, SMALL HEAD M5X12	5	
4	E000170600	FUEL CAP SET W/FILTER	1	
5	A400449101	FUEL CAP O-RING	1	
6	A400448900	BASE GASKET, FUEL FILL	1	
7	E000217400	HOSE BARB NIPPLE	2	
8	A400478000	HOSE BARB W/JOINT PIPE	1	
9	E000217500	HOSE BARB NIPPLE	1	
10	E000214300	HOSE CLAMP 001	4	
11	E000214500	HOSE CLAMP 005	8	
12	E000221000	HOSE CLAMP 003	2	
13	A200155202	FUEL FILTER BRACKET	1	
14	0013508025	BOLT AND WASHER ASSY. M8X25	4	
15	0023305015	SCREW AND WASHER ASSY. M5X15	2	
16	0013508070	BOLT AND WASHER ASSY. M8X70	1	
17	A400485600	HOSE, FUEL TANK 23.6 IN. (599 MM)	1	
18	A400485300	HOSE 1, FUEL TANK 141.6 IN. (3597 MM)	2	INCLUDES CORRUGATED TUBE
19	A400485400	HOSE 2, FUEL TANK 11.8 IN. (300 MM)	2	INCLUDES CORRUGATED TUBE
20	A400485500	HOSE 3, FUEL TANK 7.9 IN. (201 MM)	2	INCLUDES CORRUGATED TUBE
21#	0010505010	BOLT, M5X10	6	
22	EEN0020300	FUEL LINE CHECK VALVE	1	
23	EEN0020400	FUEL FILTER	1	
24	EEN0020500	WATER SEPARATOR	1	INCLUDES ITEMS W/\$
25	36920-4	FUEL PUMP, 12VDC	1	
26\$	1T02143560	ELEMENT, FUEL/WATER SEPARATOR	1	

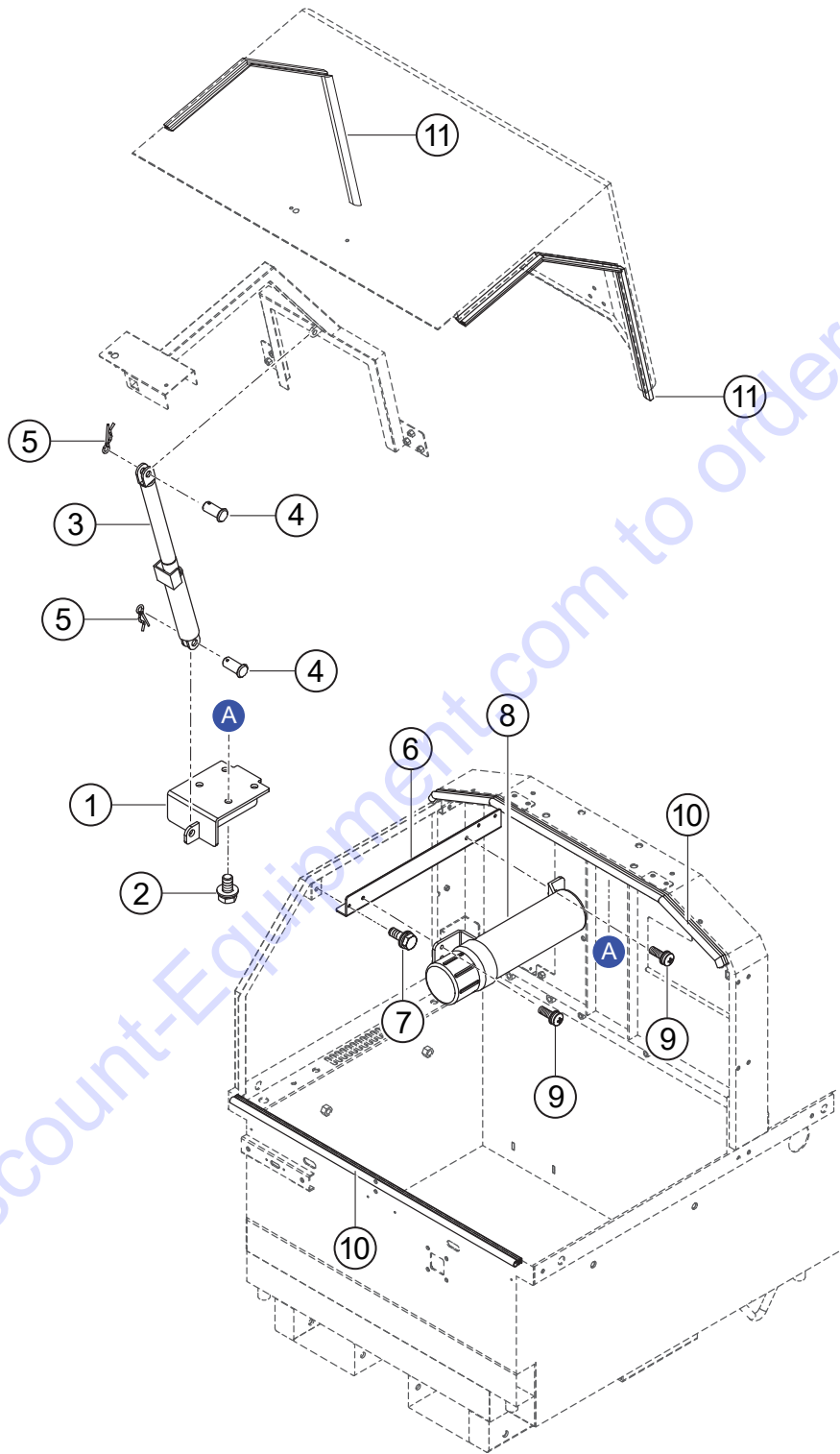
ENCLOSURE ASSY.



ENCLOSURE ASSY.

<u>NO.</u>	<u>PART NO.</u>	<u>PART NAME</u>	<u>QTY.</u>	<u>REMARKS</u>
1	A300409700	BACK PLATE	1	
2	0016808015	FLANGE BOLT, M8X15	2	
3	A300398300	LICENSE PLATE LAMP	1	
4	0026904012	COUNTERSUNK HEAD SCREW, M4X12	2	
5	0016008015	SOCKET HEAD BOLT, M8X15, BLACK	2	
6	A300409102	STRIKER	1	
7	A400487301	REAR TAIL LAMP	2	
8	0023404006	TRUSS SCREW, M4X6	4	
9	A300399500	REAR SIDE LAMP, RED	2	
10	A300399600	FRONT SIDE LAMP	2	
11	A100154700	REAR COVER	1	
12	E000235100	HANDLE, PUSH-BUTTON LOCKING	1	INCLUDES ITEMS W/#
13	E000249600	KEY, BACK COVER	1	
14	E000212900	REAR COVER LOCK ASSY.	1	
15	0043104000	WASHER, M4	4	
16	0033104000	NUT, M4	4	
17#	0034005015	NUT, COUPLING, M5X15	1	
18#	0025605020	SCREW, M5X20 PAN HEAD	1	
19	0033106000	NUT, M6	2	
20	A100154300	CABINET COVER BRACKET	1	
21	A100158900	FRONT CABINET COVER	1	
22	E000235800	REAR COVER HINGE	2	
23	0013808020	FLANGE BOLT, M8X20	10	
24	A100154400	SIDE COVER, LEFT	1	
25	A100154500	SIDE COVER, RIGHT	1	INCLUDES SND. PROOF FOAM
26	A100143100	AIR INLET LOUVER	1	
27	A100158800	FRONT COVER	1	
28	0014406000	EYEBOLT, M6X10	1	
29	E000181900	WASHER, PLASTIC	28	
30	0016806015	FLANGE BOLT, M6X15	31	
31	0016006015	SOCKET HEAD BOLT, M6X15, BLACK	9	
32	A100153900	FENDER	2	
33	A100152900	FENDER SUPPORT PLATE	2	
34	E000242300	FENDER SPACER	8	
35	0013512025	BOLT AND WASHER ASSY. M12X25	6	
36	A400474700	OIL DISCHARGE GASKET	1	
37	A400507300	OIL DISCHARGE FLANGE DRAIN	1	
38	0013508020	BOLT AND WASHER ASSY. M8X20	4	
39	0043206000	WASHER, LOCK M6	2	
40	2204510110	CABLE WASHER	1	

REAR ENCLOSURE/COVER ASSY.



REAR ENCLOSURE/COVER ASSY.

<u>NO.</u>	<u>PART NO.</u>	<u>PART NAME</u>	<u>QTY.</u>	<u>REMARKS</u>
1	A300414701	GAS BRACKET	1	
2	0013510020	BOLT AND WASHER ASSY. M10X20	4	
3	A300145000	GAS SPRING ASSY.	1	
4	A400443400	PIN, GAS SPRING ASSY.	2	
5	0053510000	SAFETY CLIP PIN 10	2	
6	A200161200	DOCUMENT HOLDER BRACKET	1	
7	0013506016	BOLT AND WASHER ASSY. M6X16	3	
8	E000171400	DOCUMENT HOLDER	1	
9	0023305015	SCREW AND WASHER ASSY. M5X15	2	
10	E000208100	CABINET GASKET 1780, 70 IN. (1778 MM).....1.....	1	1 PC = 70 IN. CUT TO 37 IN. AND 33 IN.
11	E000235900	CABINET GASKET 900, 35 IN. (889 MM).....2.....	2	1 PC = 35 IN.

Go to Discount-Equipment.com to order your parts

PARTS FINDER

**Search Website
by Part Number**



**Search Manual
Library For Parts
Manual & Lookup Part
Numbers – Purchase
or Request Quote**

Search Manuals

Enter your information to help us find the right parts manual for your machine.

* Brand:

* Model:

* Serial:

* Part Number:

SEARCH

**Can't Find Part or
Manual? Request Help
by Manufacturer,
Model & Description**

Parts Order Form

Please fill in the following information to help us find the right part for your machine.

Manufacturer:	<input type="text"/>
Model:	<input type="text"/>
Description:	<input type="text"/>
Part Number:	<input type="text"/>
Quantity:	<input type="text"/>
Notes:	<input type="text"/>

Submit

Discount-Equipment.com is your online resource for quality parts & equipment.

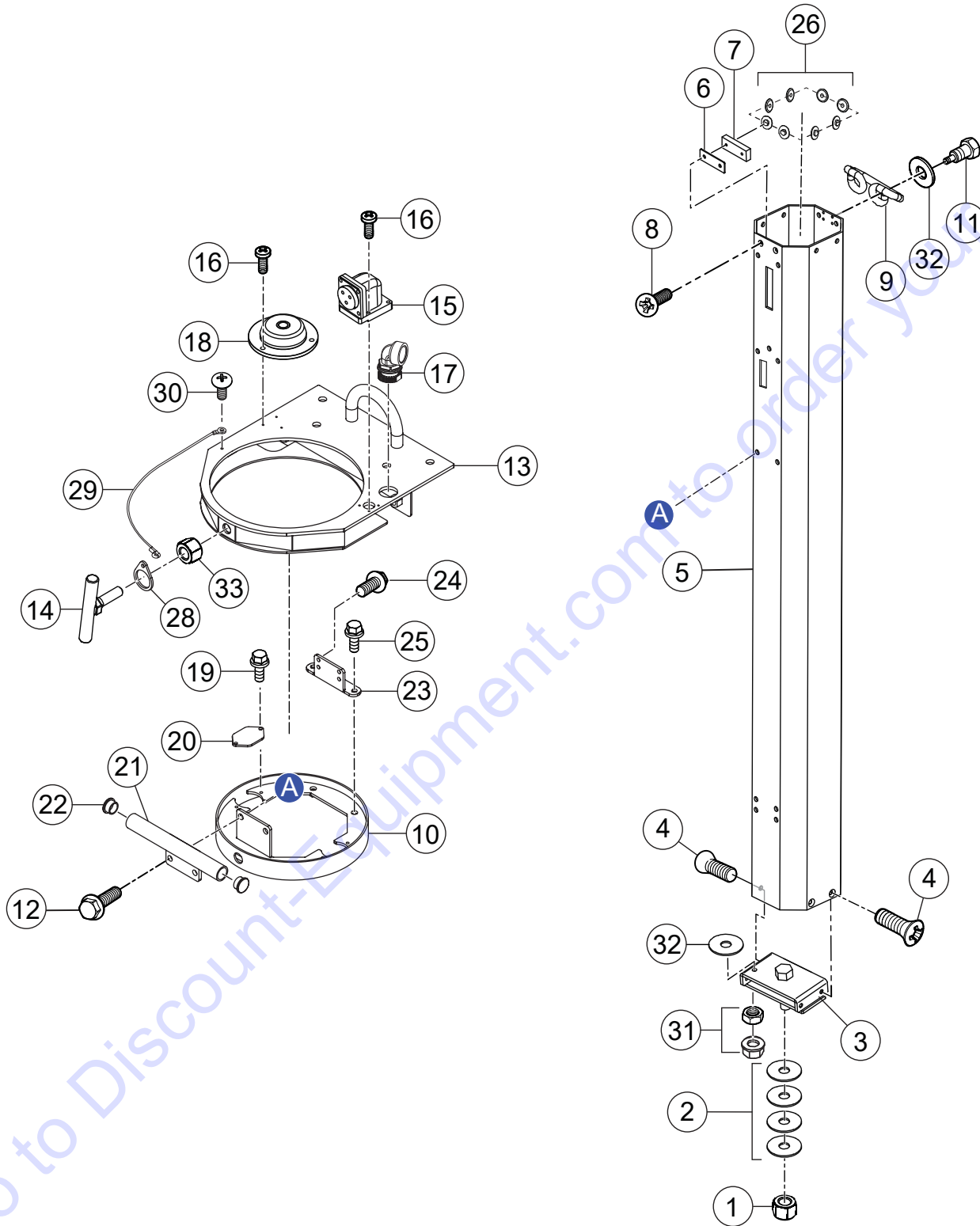
Florida: **561-964-4949** Outside Florida TOLL FREE: **877-690-3101**

Need parts?

Click on this link: <http://www.discount-equipment.com/category/5443-parts/> and choose one of the options to help get the right parts and equipment you are looking for. Please have the machine model and serial number available in order to help us get you the correct parts. If you don't find the part on the website or on one of the online manuals, please fill out the request form and one of our experienced staff members will get back to you with a quote for the right part that your machine needs.

We sell worldwide for the brands: Genie, Terex, JLG, MultiQuip, Mikasa, Essick, Whiteman, Mayco, Toro Stone, Diamond Products, Generac Magnum, Airman, Haulotte, Barreto, Power Blanket, Nifty Lift, Atlas Copco, Chicago Pneumatic, Allmand, Miller Curber, Skyjack, Lull, Skytrak, Tsurumi, Husquvarna Target, Stow, Wacker, Sakai, Mi-T-M, Sullair, Basic, Dynapac, MBW, Weber, Bartell, Bennar Newman, Haulotte, Ditch Runner, Menegotti, Morrison, Contec, Buddy, Crown, Edco, Wyco, Bomag, Laymor, EZ Trench, Bil-Jax, F.S. Curtis, Gehl Pavers, Heli, Honda, ICS/PowerGrit, IHI, Partner, Imer, Clipper, MMD, Koshin, Rice, CH&E, General Equipment, Amida, Coleman, NAC, Gradall, Square Shooter, Kent, Stanley, Tamco, Toku, Hatz, Kohler, Robin, Wisconsin, Northrock, Oztec, Toker TK, Rol-Air, APT, Wylie, Ingersoll Rand / Doosan, Innovatech, Con X, Ammann, Mecalac, Makinex, Smith Surface Prep, Small Line, Wanco, Yanmar

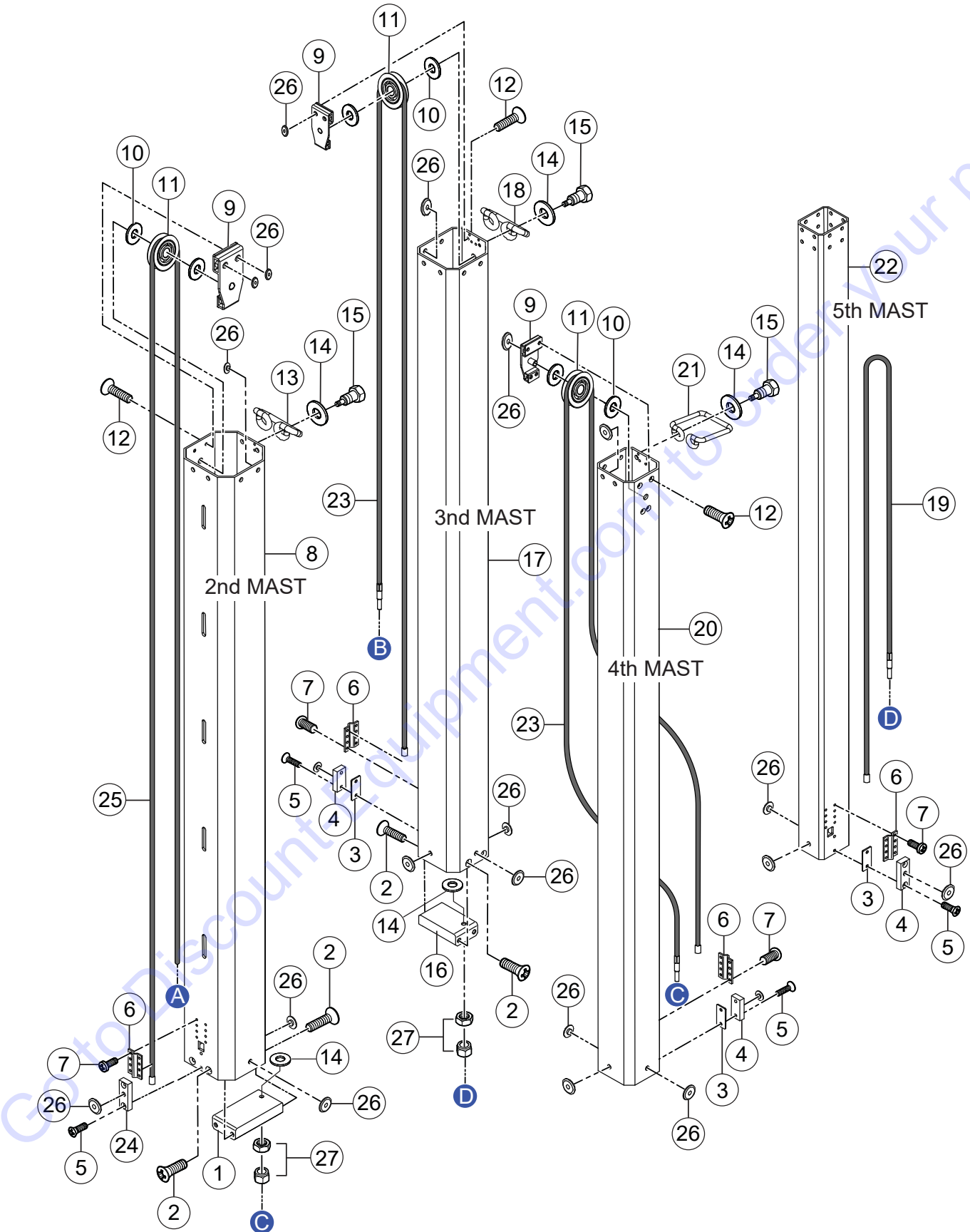
MAST GROUP 1 ASSY.



MAST GROUP 1 ASSY.

<u>NO.</u>	<u>PART NO.</u>	<u>PART NAME</u>	<u>QTY.</u>	<u>REMARKS</u>
1	0035220000	SELF-LOCK NUT, M20	1	
2	A400362100	WASHER, MAST	4	
3	A200145601	BRACKET, MAST 2	1	
4	0025008016	COUNTERSUNK SCREW, M8X16.....	4.....	W/LOCTITE
5	A300415100	FIRST MAST W/SLIDER	1	
6	A400427200	PLATE 1-2, SLIDER	1	
7	A400362501	PLATE, SLIDER	1	
8	0025006012	COUNTERSUNK SCREW, M6X12.....	2.....	W/LOCTITE
9	A400430801	CABLE BRACKET, MAST 2	1	
10	A100153301	GUIDE, MAST 2	1	
11	A400434000	BOLT, CABLE	2	
12	0013510030	BOLT AND WASHER ASSY. M10X30	2	
13	A100149902	MAIN GUIDE, MAST 1	1	
14	A400497402	MAST LOCKING KNOB	1	
15	A300417001	MOTOR WINCH CONNECTOR	1	
16	0023103010	SCREW, M3X10	11	
17	E000215300	CABLE GLAND W/WASHER AND NUT	1	
18	E000182900	BUBBLE LEVEL GUIDE	1	
19	0013505010	BOLT AND WASHER ASSY. M5X10	4	
20	A400503200	PLATE, CAP	2	
21	A300419600	MAST HANDLE	1	
22	E000241000	INNER CAP	2	
23	A400507400	BRACKET, MAST GUIDE	1	
24	0013505012	BOLT AND WASHER ASSY. M5X12	4	
25	0013508020	BOLT AND WASHER ASSY. M8X20	2	
26	A400423800	SLIDER	8	
28	A400510800	ROTATING BRACKET	1	
29	A400520000	T LOCK WIRE	1	
30	0026004012	TRUSS HEAD SCREW, M4X10	1	
31	0033808000	HARDLOCK NUT, M8	1	
32	0043108000	WASHER, M8	3	
33	0034116000	NUT M16, LOW	1	

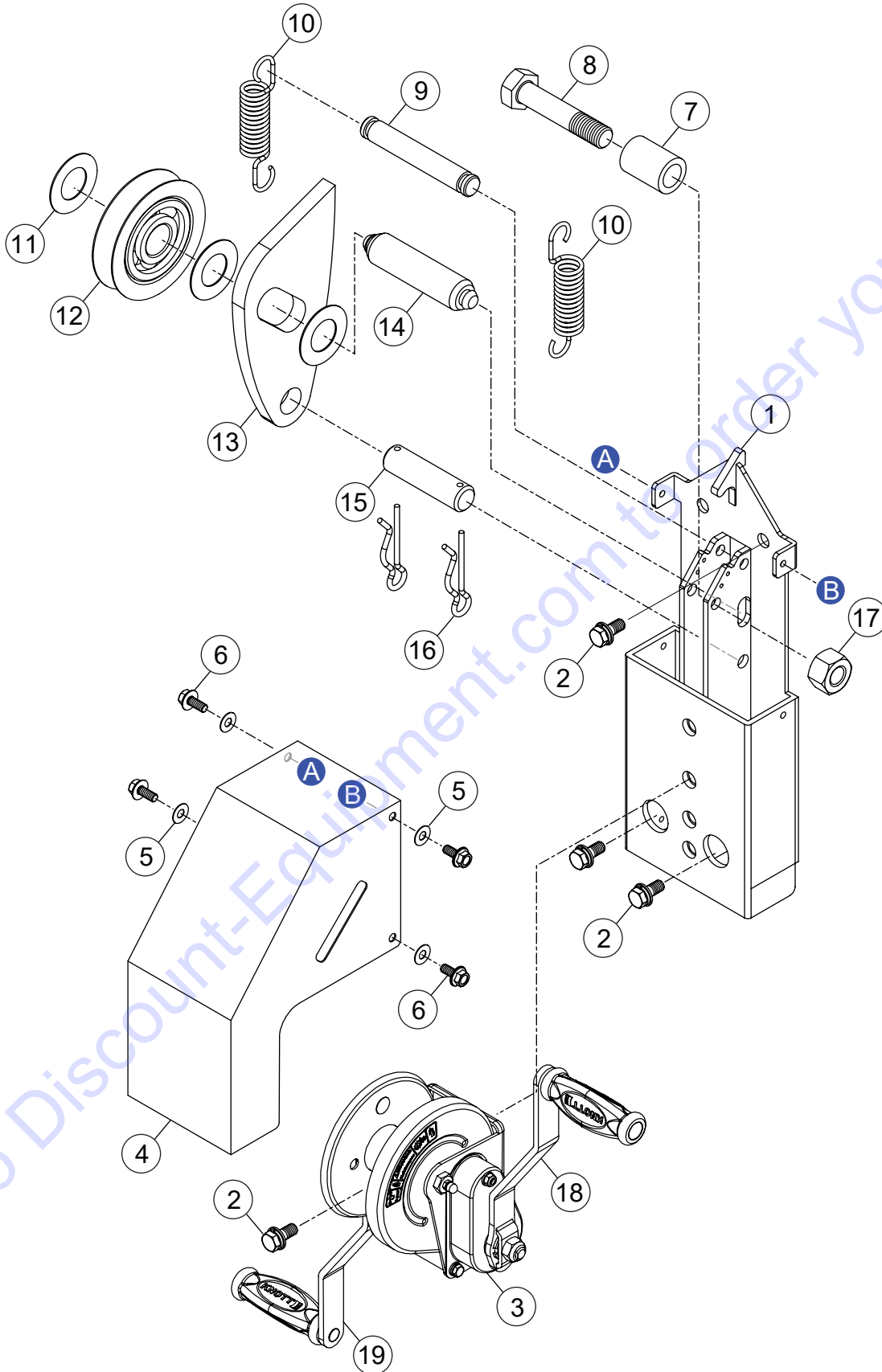
MAST GROUP 2 ASSY.



MAST GROUP 2 ASSY.

<u>NO.</u>	<u>PART NO.</u>	<u>PART NAME</u>	<u>QTY.</u>	<u>REMARKS</u>
1	A300360500	BRACKET, MAST THREE	1	
2	0025008016	COUNTERSUNK SCREW, M8X16.....	8.....	W/LOCTITE
3	A400427300	SLIDER PLATE, 2-2	3	
4	A400333402	SLIDER PLATE, 2-1	3	
5	0027106018	COUNTERSUNK SCREW, M6X18	8	
6	A400333600	WIRE BRACKET	4	
7	0027205008	SCREW, M5X8	32.....	W/LOCTITE
8	A300415200	SECOND MAST W/SLIDER	1	
9	A300284501	PULLEY BRACKET 2	3	
10	A400285200	WASHER, PULLEY	6	
11	A400333800	PULLEY	3	
12	0025006012	COUNTERSUNK SCREW, M6X12.....	12.....	W/LOCTITE
13	A400430901	CABLE BRACKET 3	1	
14	0043108000	WASHER, M8	8	
15	A400434000	BOLT, CABLE	6	
16	A300360600	MAST BRACKET, FOURTH MAST	1	
17	A300415300	THIRD MAST W/SLIDER	1	
18	A400431001	CABLE BRACKET 4	1	
19	A400432003	WIRE ROPE 1	1	
20	A300415400	FOURTH MAST W/SLIDER	1	
21	A400431101	CABLE BRACKET 5	1	
22	A300415500	FIFTH MAST W/SLIDER	1	
23	A400432103	WIRE ROPE 2	2	
24	A400351000	SLIDER PLATE, 3	1	
25	A400431901	WIRE ROPE COMPLETE	1	
26	A400423800	SLIDER	40	
27	0033808000	HARDLOCK NUT, M8	2	

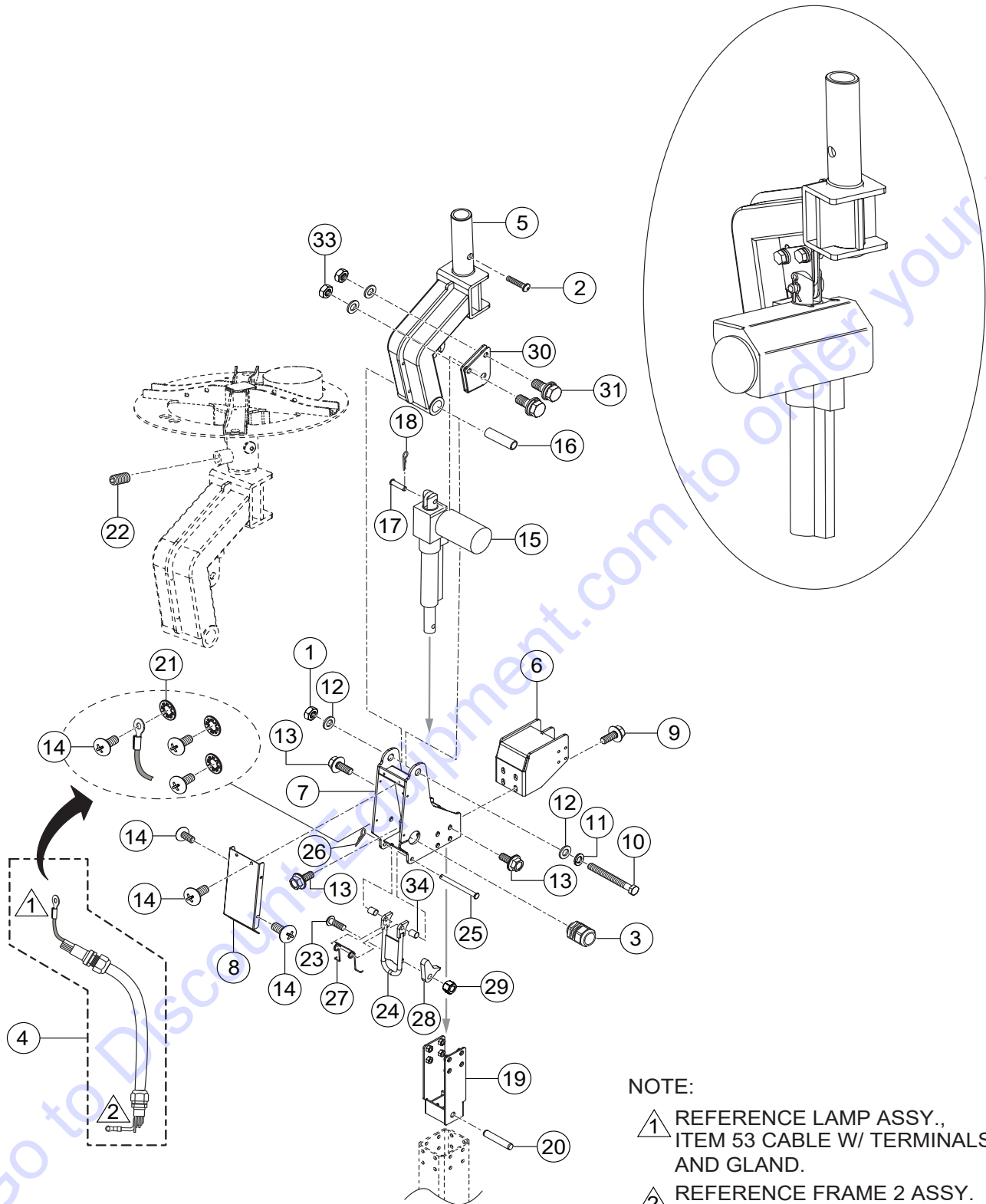
WINCH ASSY.



WINCH ASSY.

<u>NO.</u>	<u>PART NO.</u>	<u>PART NAME</u>	<u>QTY.</u>	<u>REMARKS</u>
1	A200153100	PULLEY BRACKET 1 COMPLETE	1	
2	0013510025	BOLT AND WASHER ASSY. M10X25	6	
3	A100157700	WINCH, DUAL HANDLE	1	
4	A100154000	COVER, WINCH	1	
5	E000181900	WASHER, PLASTIC	4	
6	0013806010	FLANGE BOLT, M6X10	4	
7	A400285000	PULLEY SPACER, 1	1	
8	0013108040	BOLT, M8X40	1	
9	A400333700	PULLEY PIN, 2	1	
10	A400285400	PULLEY SPRING	2	
11	A400285200	PULLEY WASHER	3	
12	A400333800	PULLEY	1	
13	A400333200	STOPPER	1	
14	A400284500	PIN 1, PULLEY	1	
15	A400284700	PIN, STOPPER	1	
16	0053512000	COTTER PIN 12	2	
17	0033208000	SELF-LOCK NUT, M8	1	
18	E000249100	HANDLE RIGHT, WINCH	1	
19	E000249000	HANDLE LEFT, WINCH	1	

LAMP STAND ASSY.



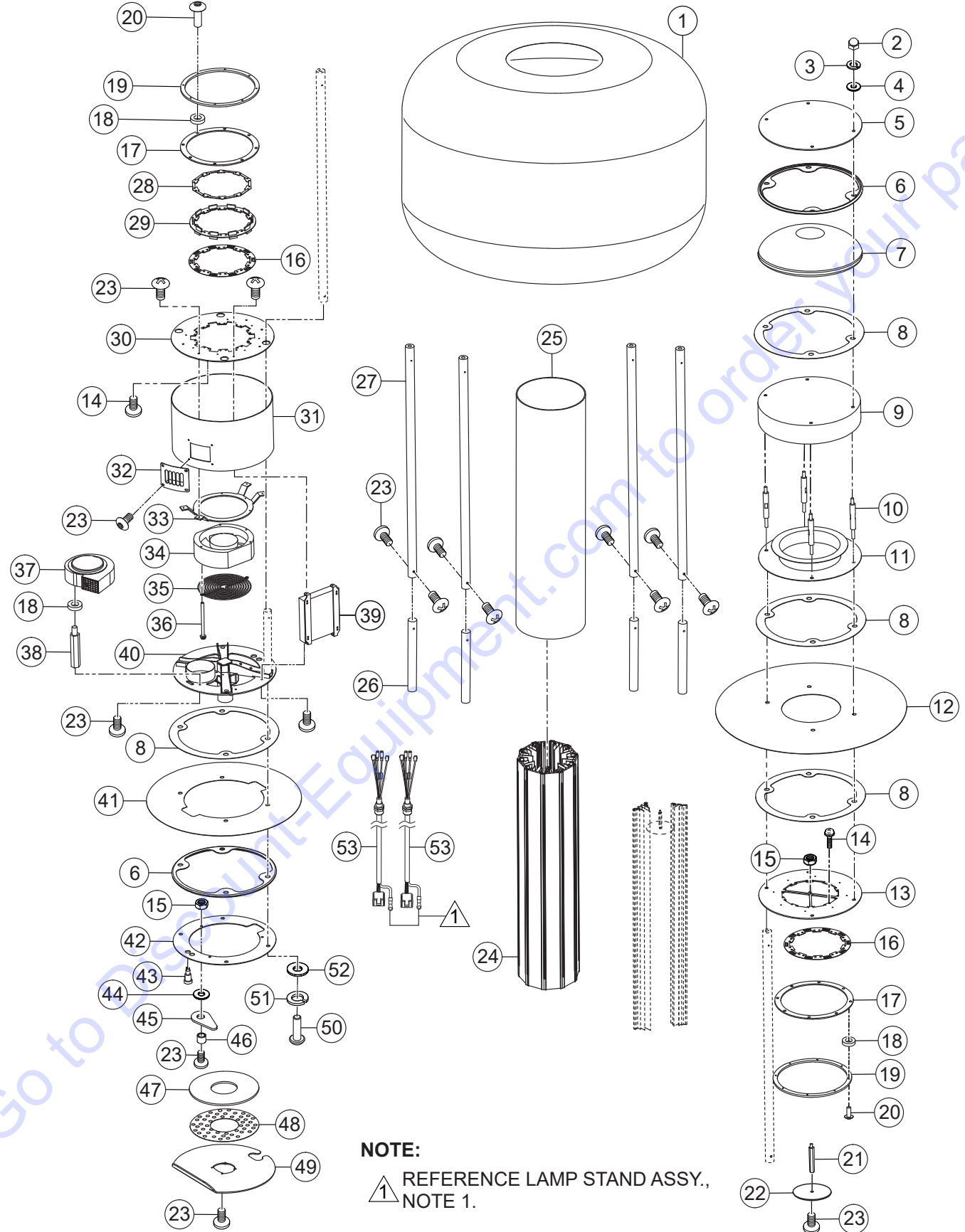
NOTE:

- ① REFERENCE LAMP ASSY.,
ITEM 53 CABLE W/ TERMINALS
AND GLAND.
- ② REFERENCE FRAME 2 ASSY.
(CONTROL BOX).

LAMP STAND ASSY.

<u>NO.</u>	<u>PART NO.</u>	<u>PART NAME</u>	<u>QTY.</u>	<u>REMARKS</u>
1	0033216000	SELF-LOCK NUT, M16	1	
2	0014710060	HEX BOLT AND WASHER ASSY. M10X60	1	
3	E000174200	CABLE GLAND	1	
4	A200149301	CABLE, LAMP-Z482 W/CABLE GLAND	1	
6	A200162900	SUPPORT, BALLOON	1	
7	A100148903	ADAPTER LAMP STAND	1	
8	A300409500	COVER, ADAPTER	1	
9	0013808025	FLANGE BOLT, M8X25	4	
10	0013516110	BOLT AND WASHER ASSY. M16X110	1	
11	0043216000	WASHER, LOCK M16	1	
12	0043116000	WASHER, M16	2	
13	0013808020	FLANGE BOLT, M8X20	12	
14	0026004010	TRUSS HEAD SCREW, M4X10	9	
15	E000165800	ACTUATOR	1	
16	A400430200	SPACER	1	
17	A400430100	CLEVIS PIN	1	
18	0053510000	COTTER PIN 10	1	
19	A200155101	BRACKET COMPLETE, ACTUATOR	1	
20	A400430000	PARALLEL PIN	1	
21	0043904000	TOOTHED LOCK WASHER, M4	3	
22	0021712020	SET SCREW SUS, M12X20	1	
23	0015305015	SLIM HEAD SCREW, M5X15	1	
24	A300402101	SHACKLE W/PLATE	1	
25	E000241300	HINGE PIN	1	
26	0053508000	COTTER PIN 8	1	
27	A400488201	RETURN SPRING	1	
28	A400497301	PLATE, STOPPER	1	
29	0033205000	SELF-LOCK NUT, M5	1	
30	A400509101	BRACKET, ACTUATOR	1	
31	0013508025	BOLT AND WASHER ASSY. M8X 25	2	
32	0043108000	WASHER, M8	2	
33	0033208000	SELF-LOCK NUT, M8	2	
34	E000245500	SPACER	2	

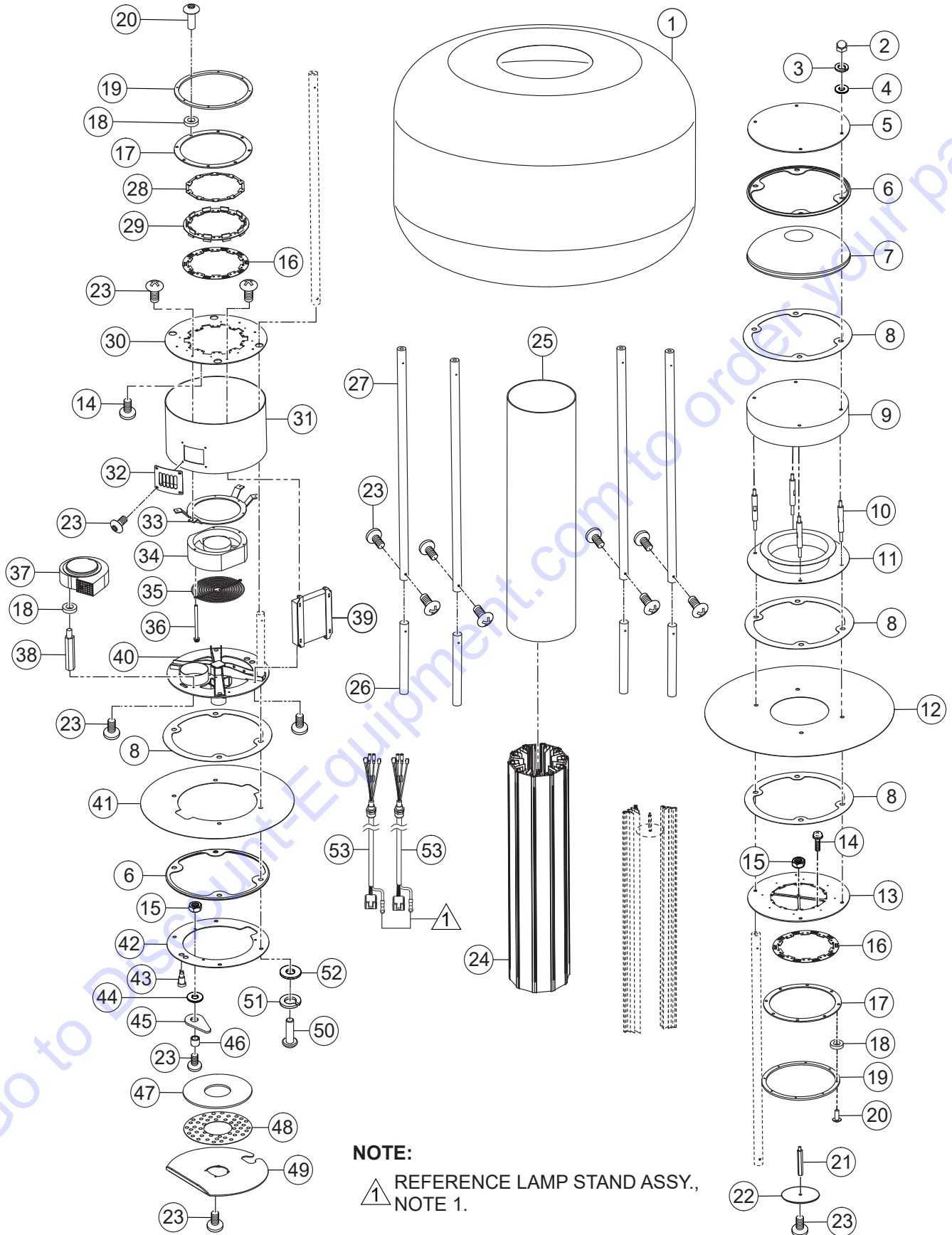
LAMP ASSY.



LAMP ASSY.

<u>NO.</u>	<u>PART NO.</u>	<u>PART NAME</u>	<u>QTY.</u>	<u>REMARKS</u>
1	A100140900	MAIN BALLOON BAG	1	
2	0030308000	CAP NUT, M8	4	
3	0043208000	WASHER, LOCK M8	4	
4	E000132100	SUS BD WASHER, M8	4	
5	2204220130	TOP CAP PLATE	1	
6	2204500230	SEAL, PACKING	2	
7	A100146600	VINYL BALLOON COVER	1	
8	2204500130	SEAL, NORMAL	4	
9	A200137101	BEZEL, TOP	1	
10	A400463701	SPACER, TOP	4	
11	A200140200	PLATE, TOP	1	
12	A100144600	TOP ZIPPER SHEET	1	
13	A200144201	PLATE, LAMP TOP	1	
14	0023004015	PAN HD SCR. AND WASHER ASSY. M4X15	40	
15	0033104000	NUT, M4	4	
16	A400385101	GASKET, IN	2	
17	A300379601	GASKET, GUARD	2	
18	E000205600	SPACER	19	
19	A300379501	FRAME, GUARD	2	
20	0024304010	TRUSS SCREW, M4X10 W/LOCTITE	16	
21	E000194800	SUPPORT BOLT, M4X50 F-M	1	
22	A400462900	PLATE, HEATSINK	1	
23	0024304008	TRUSS SCREW, M4X8 W/LOCTITE	31	
24	A000082100	HEATSINK ASSY.	10	
25	A300378500	GUARD, LED	1	
26	A400463600	SPACER, BOTTOM	4	
27	A300387702	POLE COMPLETE	4	
28	A300380001	GASKET, CIRCUIT BOARD	1	
29	A000083600	ADAPTER, CIRCUIT BOARD	1	
30	A200144301	PLATE, LAMP BOTTOM	1	
31	A300354101	BEZEL	1	
32	A300379800	COVER, BEZEL	1	
33	A200140400	BRACKET, FAN	1	
34	A300394100	DC FAN MOTOR ASSY.	1	
35	E000205300	FAN GUARD	1	
36	0023304060	PAN HD SCR. AND WASHER ASSY. M4X60	4	
37	A300394200	DC BLOWER ASSY.	1	
38	E000194900	SUPPORT BOLT, M4X30 F-M	3	
39	A000083100	CONTROL BOARD W/PLATES	1	
40	A100144501	FLANGE	1	
41	A100144700	BALLOON SHEET, BOTTOM	1	
42	A300379701	PLATE, BOTTOM	1	
43	A300393000	ERROR INDICATOR ASSY.....	1	INCLUDES PLATE AND NUTS
44	E000119300	WAVE WASHER, M6	3	
45	A400030700	STOPPER, FILTER	3	
46	E000010301	SPACER, M4X4	3	

LAMP ASSY. (CONT'D.)

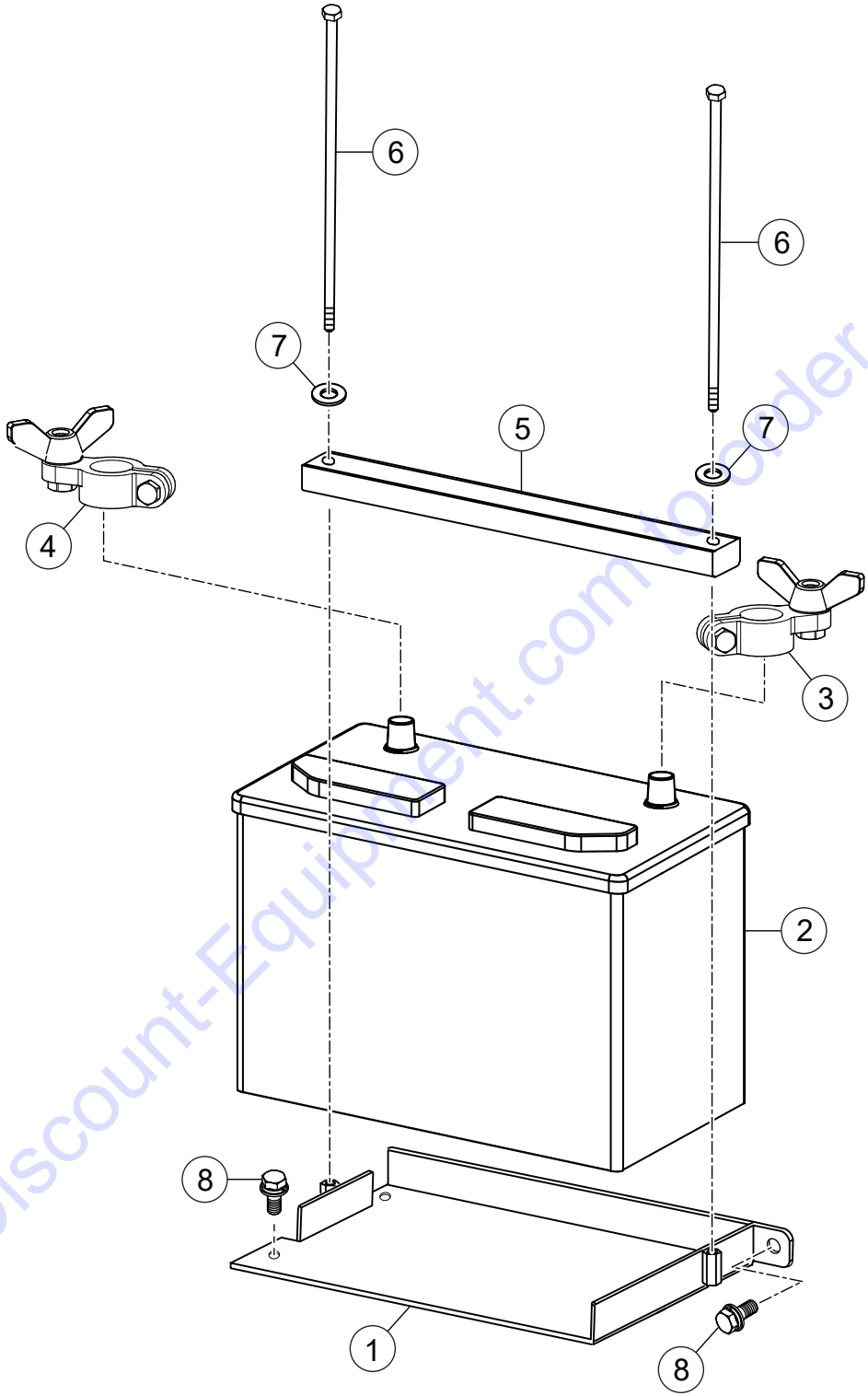


LAMP ASSY. (CONT'D.)

<u>NO.</u>	<u>PART NO.</u>	<u>PART NAME</u>	<u>QTY.</u>	<u>REMARKS</u>
47	A400454700	FILTER	1	
48	A300384900	PLATE, AIR	1	
49	A300379201	COVER, BOTTOM	1	
50	0014710035	BUTTON BOLT, M10X35	4	
51	0043210000	WASHER, LOCK M10	4	
52	0043110000	WASHER, M10	4	
53	A300388502	POWER CABLE, LED 2400.....	2.....	INCLUDES TERMINALS AND CABLE GLAND

Go to Discount-Equipment.com to order your parts

BATTERY ASSY.

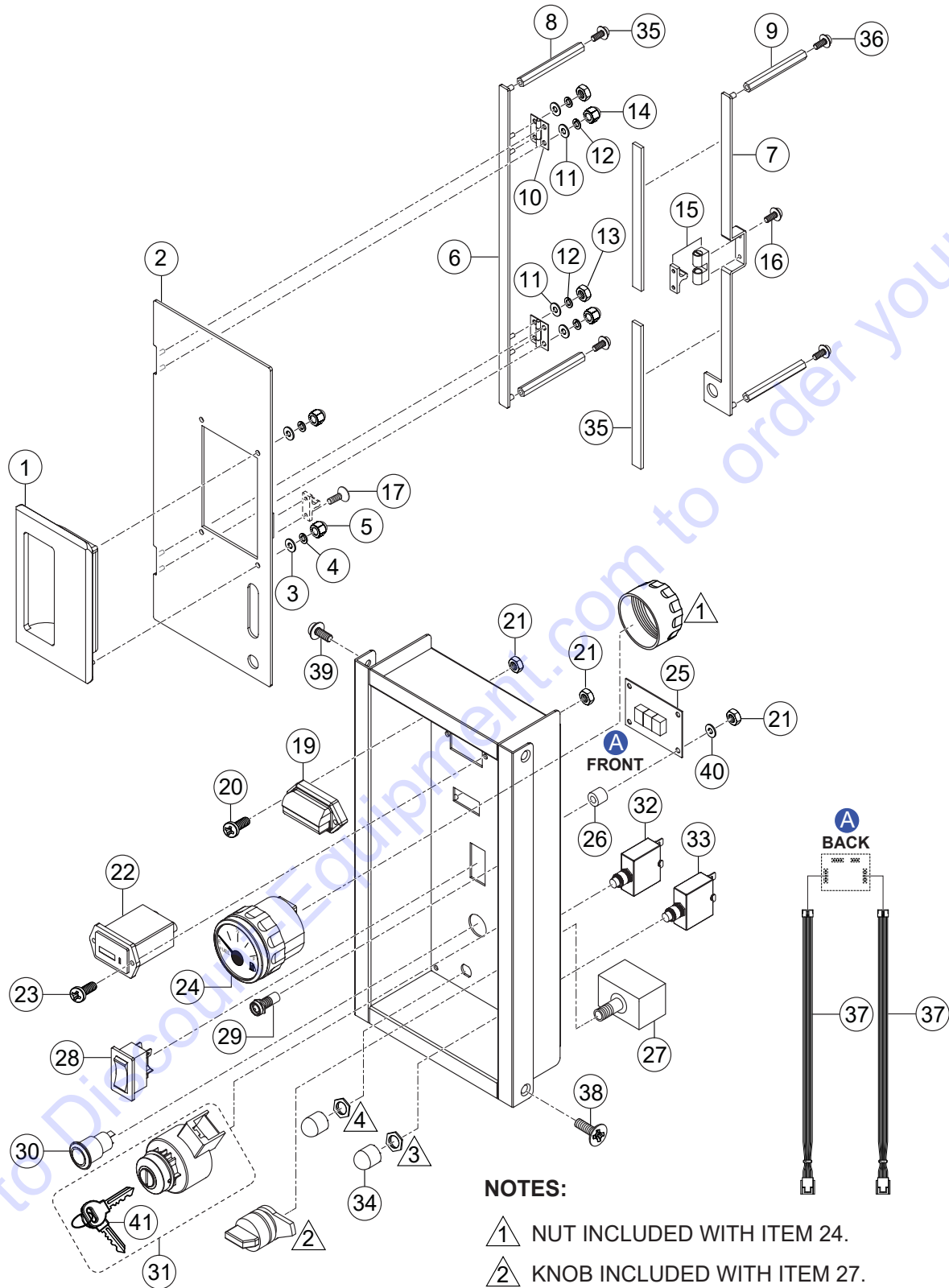


BATTERY ASSY.

<u>NO.</u>	<u>PART NO.</u>	<u>PART NAME</u>	<u>QTY.</u>	<u>REMARKS</u>
1	A200149101	BATTERY BRACKET	1	
2	10315	BATTERY, 12V GROUP 24 WET CELL	1	
3	E000215100	BATTERY TERMINAL, NEGATIVE POLE	1	
4	E000215000	BATTERY TERMINAL, POSITIVE POLE	1	
5	A300414800	HOLDER, BATTERY	1	
6	0013108210	BOLT, M8X210	2	
7	0043108000	WASHER, M8	2	
8	0013508020	BOLT AND WASHER ASSY. M8X20	3	

Go to Discount-Equipment.com to order your parts

CONTROL PANEL ASSY.



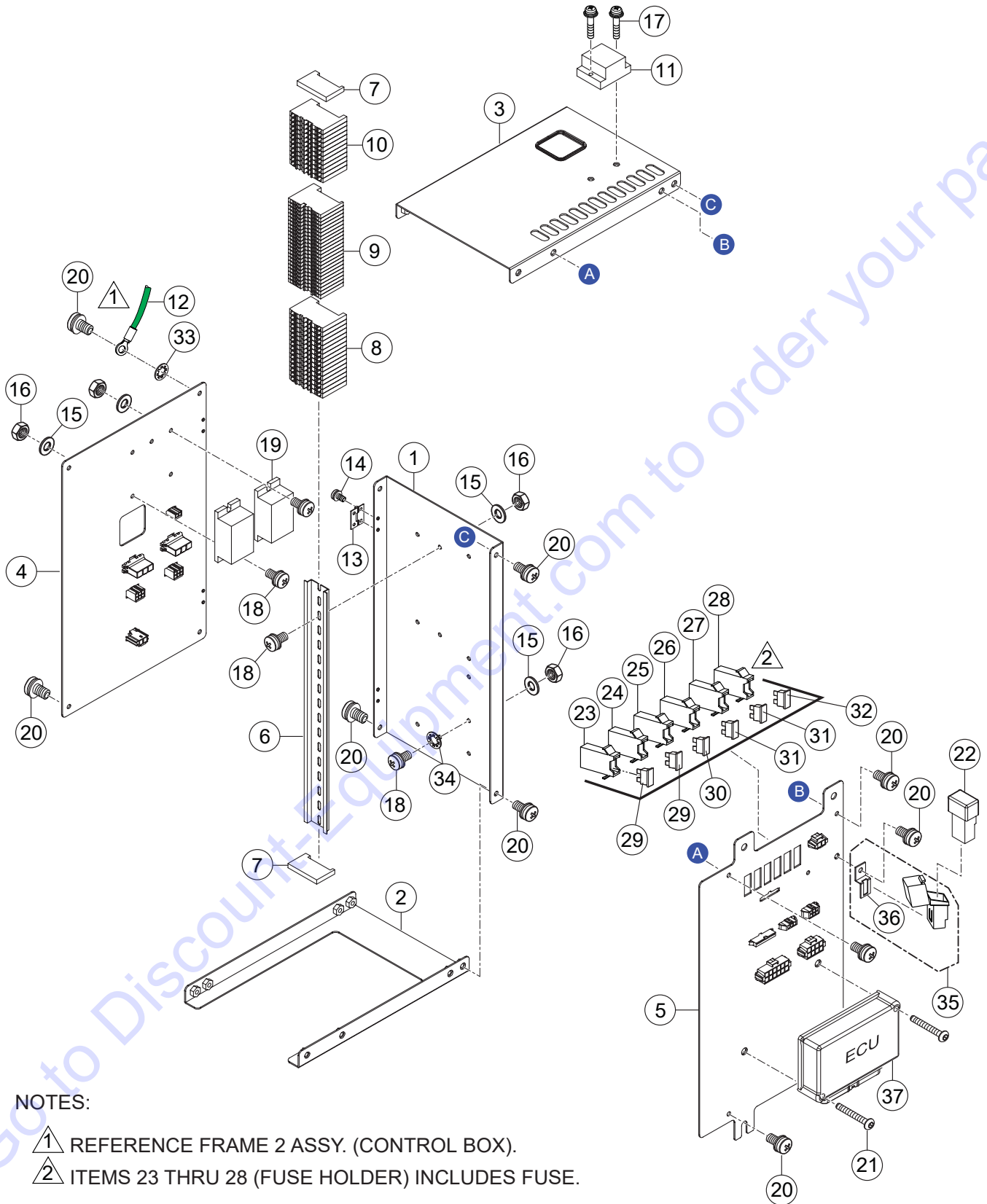
NOTES:

- ① NUT INCLUDED WITH ITEM 24.
- ② KNOB INCLUDED WITH ITEM 27.
- ③ CAP AND NUT INCLUDED WITH ITEM 33.
- ④ CAP AND NUT INCLUDED WITH ITEM 32.

CONTROL PANEL ASSY.

<u>NO.</u>	<u>PART NO.</u>	<u>PART NAME</u>	<u>QTY.</u>	<u>REMARKS</u>
1	E000242400	CONTROL BOX HANDLE	1	
2	A200162500	CONTROL BOX PANEL COVER	1	
3	0043104000	WASHER, M4	4	
4	0043204000	WASHER LOCK, M4	4	
5	0033304000	CAP NUT, M4	4	
6	A300420901	BRACKET, COVER-PANEL 1	1	
7	A300421001	BRACKET, COVER-PANEL 2	1	
8	E000245000	HEX SPACER, STEEL M4-70	2	
9	E000244900	HEX SPACER, STEEL M4-65	2	
10	E000249700	HINGE, B-1100-1	2	
11	0043103000	WASHER, M3	8	
12	0043203000	WASHER LOCK, M3	8	
13	0033103000	NUT, M3	4	
14	0033303000	CAP NUT, M3	4	
15	E000241100	BALL CATCH LATCH	1	
16	0023303008	SCREW AND WASHER ASSY. M3X8	2	
17	0023203005	SCREW, COUNTERSUNK HEAD M3X5	2	
18	A100151602	CONTROL BOX PANEL-24B	1	
19	A300398300	LAMP, CONTROL PANEL	1	
20	0026904012	COUNTERSUNK SCREW, M4X12	2	
21	0033104000	NUT, M4	8	
22	A300399901	HOUR METER W/WIRE	1	
23	0026004010	TRUSS HEAD SCREW, M4X12	2	
24	A300400001	FUEL GAUGE METER ASSY. W/NUT	1	
25	A000076100	DIMMING BOARD W/7-SEGMENT LEDS	1	
26	E000181800	PLASTIC SPACER, M4X7L	4	
27	A300401000	LAMP ACTUATOR SWITCH ASSY. W/WIRE	1	
28	A300366702	DIMMING SWITCH	1	
29	A300399702	ENGINE GLOW LAMP, WARNING W/NUT	1	
30	A400479500	LIGHT SWITCH W/NUT	1	
31	E000209100	IGNITION SWITCH W/KEY	1	
32	A300398001	AC BREAKER, 25A W/CAP	1	
33	A300398101	CIRCUIT BREAKER OUTLET 15A W/CAP	1	
34	E000168900	CAP, BREAKER	2	
35	E000208200	GASKET STRIP	2	
36	0023304010	SCREW AND WASHER ASSY. M4X10	4	
37	A300397701	CABLE, CONTROL BOX	2	
38	0023205010	COUNTERSUNK HEAD SCREW, M5X10	2	
39	0023305010	SCREW AND WASHER ASSY. M5X10	2	
40	E000181600	PLASTIC WASHER, M4	4	
41	EEN0020900	START KEY, IGNITION SWITCH	1	

ELECTRICAL COMPONENTS ASSY.



NOTES:

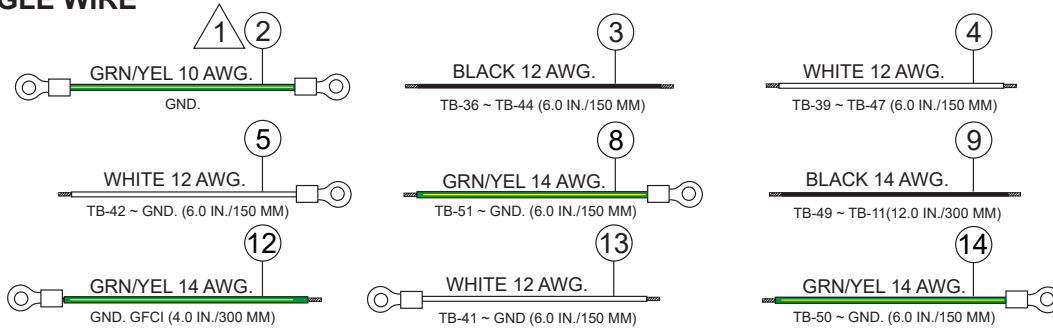
- ① REFERENCE FRAME 2 ASSY. (CONTROL BOX).
- ② ITEMS 23 THRU 28 (FUSE HOLDER) INCLUDES FUSE.

ELECTRICAL COMPONENTS ASSY.

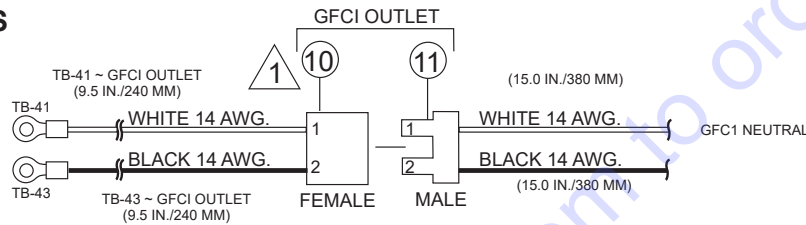
<u>NO.</u>	<u>PART NO.</u>	<u>PART NAME</u>	<u>QTY.</u>	<u>REMARKS</u>
1	A100151201	PLATE, CONTROL PANEL, BACK	1	
2	A200156202	PLATE, CONTROL PANEL, BOTTOM	1	
3	A200156302	PLATE, CONTROL PANEL, TOP	1	
4	A200160100	CONTROL PANEL, RELAY B	1	
5	A100157900	CONTROL PANEL, RELAY C	1	
6	E000185200	TERMINAL BLOCK SUPPORT RAIL	1	
7	E000185100	TERMINAL END	2	
8	A300401500	TERMINAL BLOCK, (36-51)	1	
9	A300401400	TERMINAL BLOCK, (13-35)	1	
10	A300401300	TERMINAL BLOCK, (1-12)	1	
11	E000210200	TERMINAL BLOCK	1	
12	A400484900	CONTROL BOX CABLE, 44	1	
13	E000249700	HINGE, B-1100-1	2	
14	0023103006	SCREW, M3X6	8	
15	0043104000	WASHER, M4	10	
16	0033104000	NUT, M4	10	
17	0023304020	SCREW AND WASHER ASSY. M4X20	2	
18	0023304012	SCREW AND WASHER ASSY. M4X12	10	
19	E000169000	RELAY	2	
20	0023305010	SCREW AND WASHER ASSY. M5X10	13	
21	0023306045	SCREW AND WASHER ASSY. M6X45	2	
22	E000220300	A TYPE FUSE, 50A	1	
23	A400483301	FUSE 1, HOLDER W/FUSE	1	
24	A400483401	FUSE 2, HOLDER W/FUSE	1	
25	A400483501	FUSE 3, HOLDER W/FUSE	1	
26	A400483601	FUSE 4, HOLDER W/FUSE	1	
27	A400483701	FUSE 5, HOLDER W/FUSE	1	
28	A400483801	FUSE 6, HOLDER W/FUSE	1	
29	E000219900	FUSE 1, 5A	2	
30	E000220000	FUSE 2, 10A	1	
31	E000220100	FUSE 3, 20A	2	
32	E000220200	FUSE 4, 30A	1	
33	0043905000	TOOTHED LOCK WASHER, M5	1	
34	0043904000	TOOTHED LOCK WASHER, M4	4	
35	A300401101	FUSE HOLDER, 50A.....	1.....	INCLUDES ITEMS W/#
36		BRACKET, FUSE HOLDER	1	
37	1J32260601	ENGINE CONTROLLER UNIT	1	

AC WIRING ASSY.

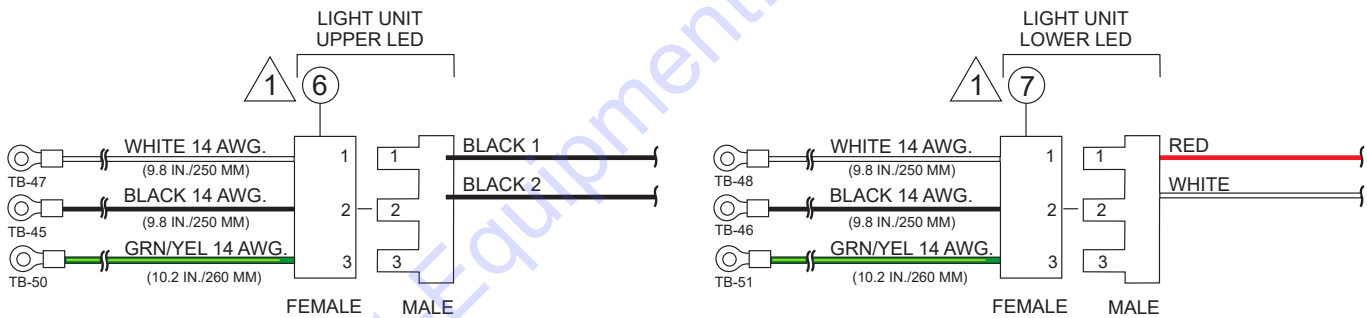
SINGLE WIRE



2-PIN CABLES

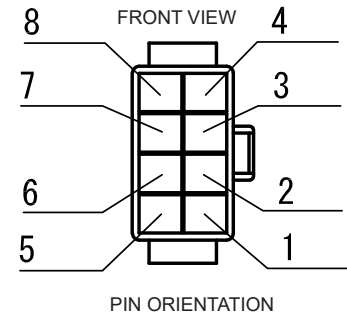
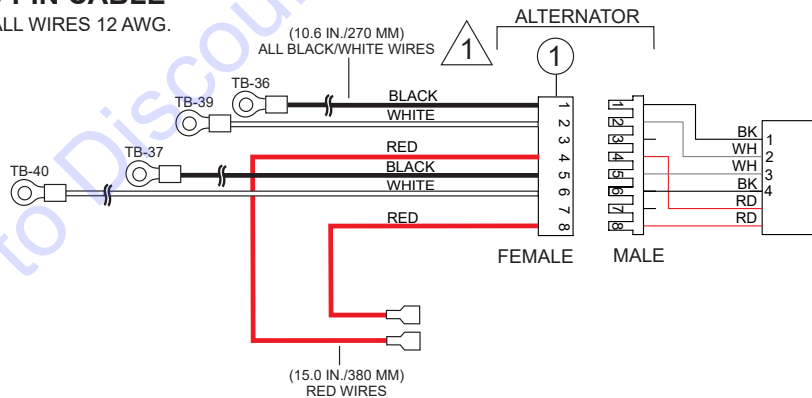


3-PIN CABLES



8-PIN CABLE

ALL WIRES 12 AWG.



NOTE:

1 ITEM NUMBERS ON THIS DRAWING CAN BE REFERENCED ON THE AC WIRING DIAGRAM IN THE GBX24BK OPERATION MANUAL

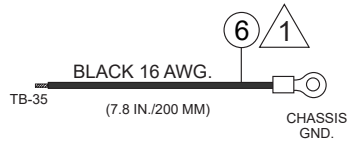
AC WIRING ASSY.

<u>NO.</u>	<u>PART NO.</u>	<u>PART NAME</u>	<u>QTY.</u>	<u>REMARKS</u>
1	A300400601	ALTERNATOR, 8-PIN CABLE (FEMALE)	1	
2	A400482300	WIRE, GRN/YEL 10 AWG.	1	
3	A400484501	WIRE, BLACK 12 AWG.	1	
4	A400484601	WIRE, WHITE 12 AWG.	1	
5	A400502500	WIRE, WHITE 12 AWG.	1	
6	A300417600	LIGHT UNIT UPPER LED, 3-PIN CABLE	1	
7	A300417700	LIGHT UNIT LOWER LED, 3-PIN CABLE	1	
8	A400502600	WIRE, GRN/YEL 14 AWG.	1	
9	A400484101	WIRE, BLACK 14 AWG.	1	
10	A300417501	GFCI OUTLET, 2-PIN CABLE FEMALE	1	
11	A300417400	GFCI OUTLET, 2-PIN CABLE MALE	1	
12	A300376000	WIRE, GRN/YEL 14 AWG.	1	
13	A400484301	WIRE, WHITE 12 AWG.	1	
14	A400484401	WIRE, GRN/YEL 14 AWG.	1	

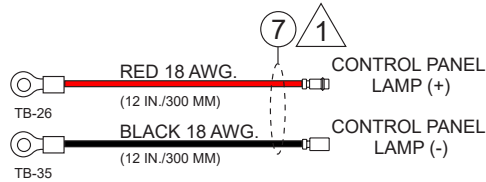
Go to Discount-Equipment.com to order your parts

DC WIRING ASSY.

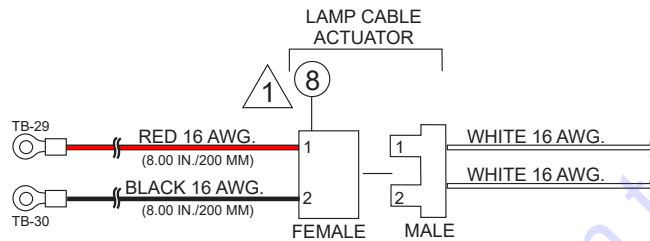
SINGLE WIRE



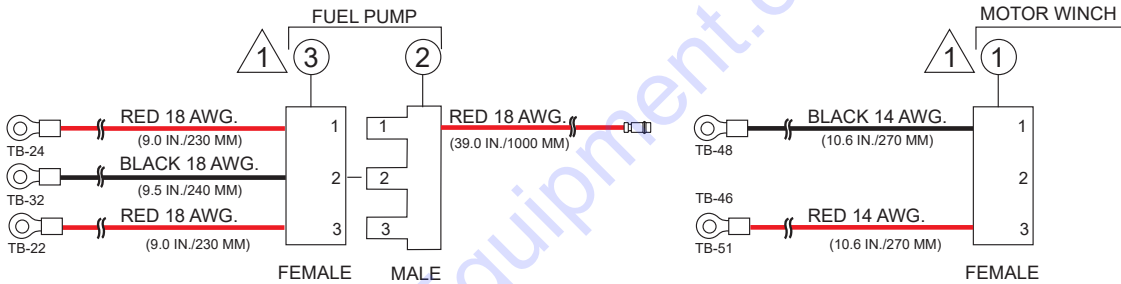
SINGLE WIRE (PAIRED)



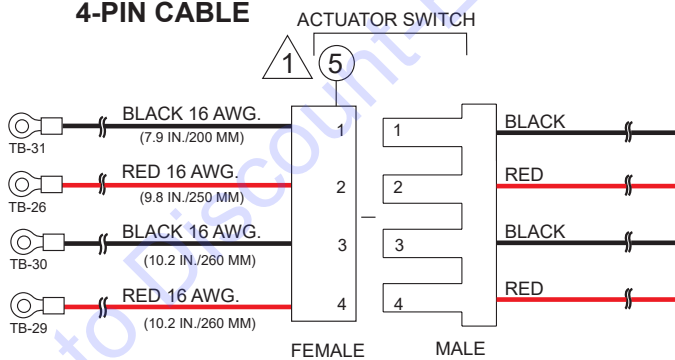
2-PIN CABLE



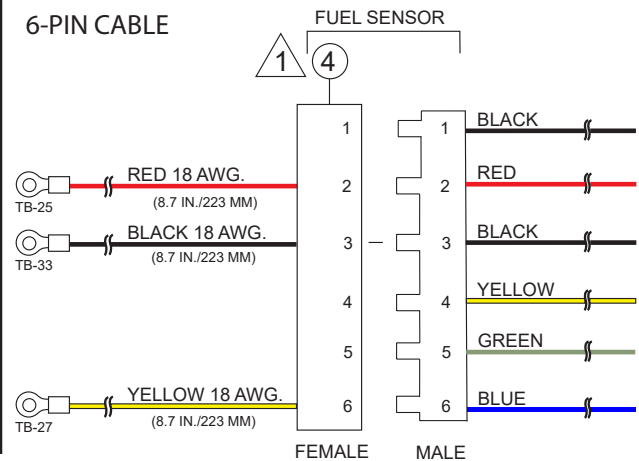
3-PIN CABLES



4-PIN CABLE



6-PIN CABLE



NOTE:

ITEM NUMBERS ON THIS DRAWING CAN BE REFERENCED ON THE DC WIRING DIAGRAM IN THE GBX24BK OPERATION MANUAL

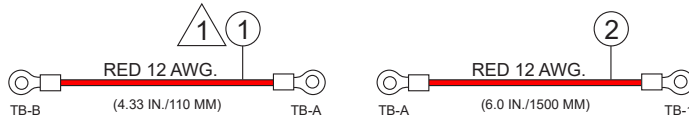
DC WIRING ASSY.

<u>NO.</u>	<u>PART NO.</u>	<u>PART NAME</u>	<u>QTY.</u>	<u>REMARKS</u>
1	A300417100	MOTOR WINCH, 2-PIN CABLE FEMALE	1	
2	A400482401	FUEL PUMP, 2 PIN CABLE MALE	1	
3	A300400401	FUEL PUMP, 3 PIN CABLE FEMALE	1	
4	A300400901	FUEL SENSOR, 6 PIN CABLE FEMALE	1	
5	A300400501	ACTUATOR SW, 4 PIN CABLE FEMALE	1	
6	A400484201	WIRE, BLACK 16 AWG.	1	
7	A400484801	CTRL. PANEL LAMP, 2 PIN CABLE M/F	1	
8	A300398801	LAMP CABLE ACTUATOR, 2 PIN CABLE (F)	1	

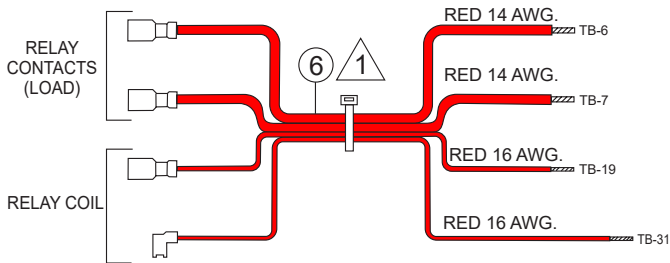
Go to Discount-Equipment.com to order your parts

ENGINE WIRING 1 ASSY.

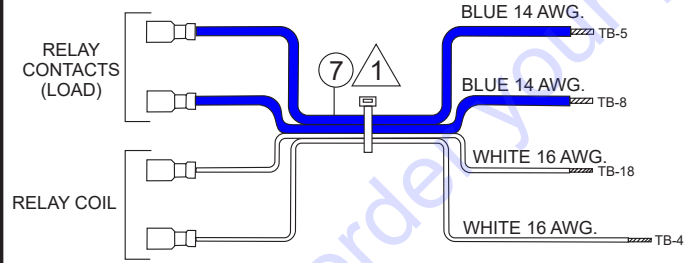
SINGLE WIRE



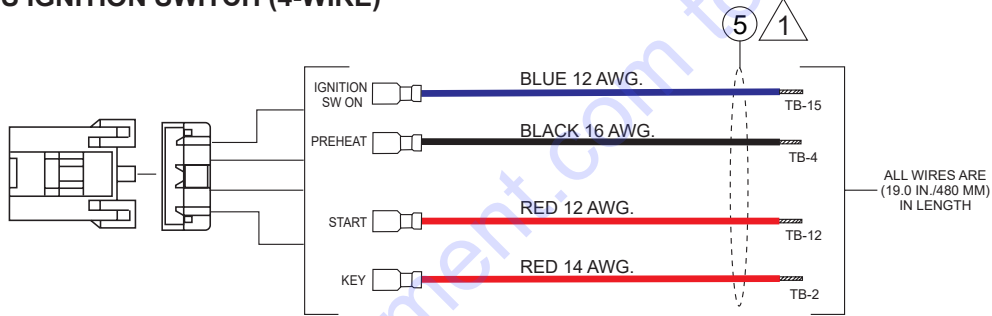
HARNES GLOW PLUG RELAY (4-WIRE)



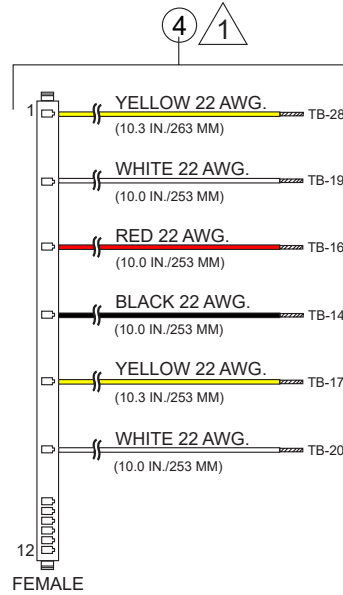
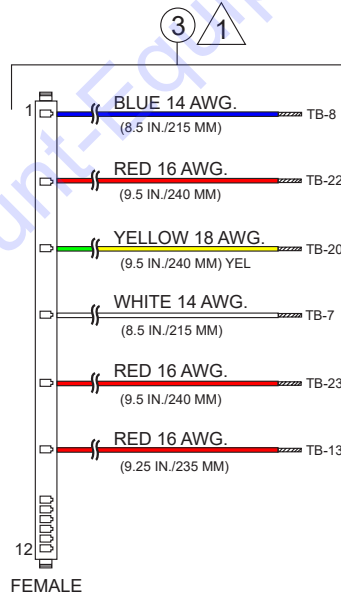
HARNES STARTER RELAY (4-WIRE)



HARNES IGNITION SWITCH (4-WIRE)



12-PIN CABLES



NOTE:

ITEM NUMBERS ON THIS DRAWING CAN BE REFERENCED ON THE ENGINE WIRING 1 DIAGRAM IN THE GBX24BK OPERATION MANUAL

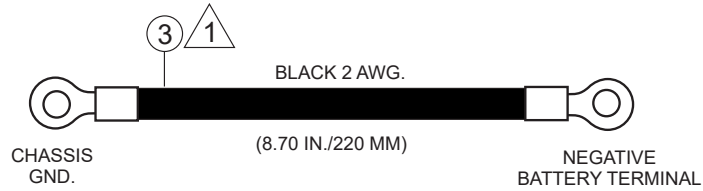
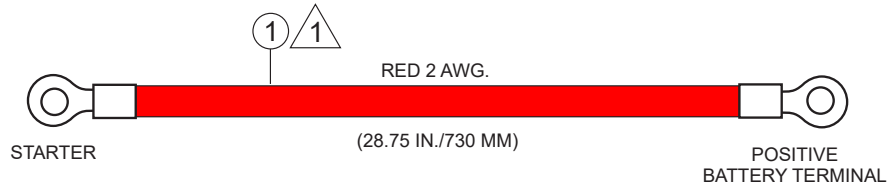
ENGINE WIRING 1 ASSY.

<u>NO.</u>	<u>PART NO.</u>	<u>PART NAME</u>	<u>QTY.</u>	<u>REMARKS</u>
1	A400483900	WIRE, RED 12 AWG.	1	
2	A400484001	WIRE, RED 12 AWG.	1	
3	A300400701	CONNECTOR, FEMALE 12-PIN	1	
4	A400484701	CONNECTOR, FEMALE 12-PIN	1	
5	A300399801	IGNITION SWITCH HARNESS, 4-WIRE	1	
6	A300417300	GLOW RELAY HARNESS, 4-WIRE	1	
7	A300417201	STARTER RELAY HARNESS, 4-WIRE	1	

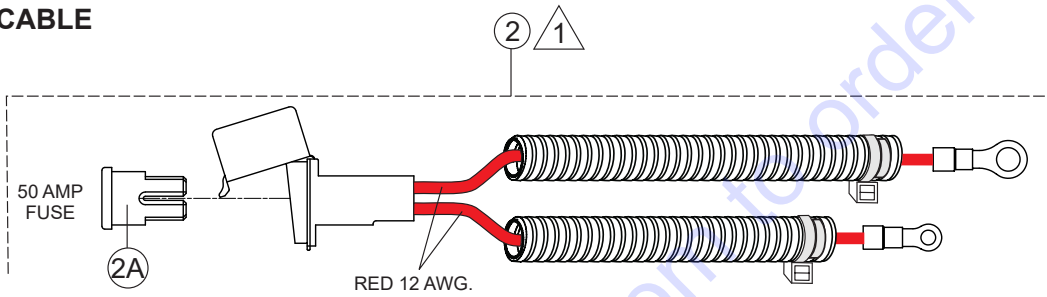
Go to Discount-Equipment.com to order your parts

ENGINE WIRING 2 ASSY.

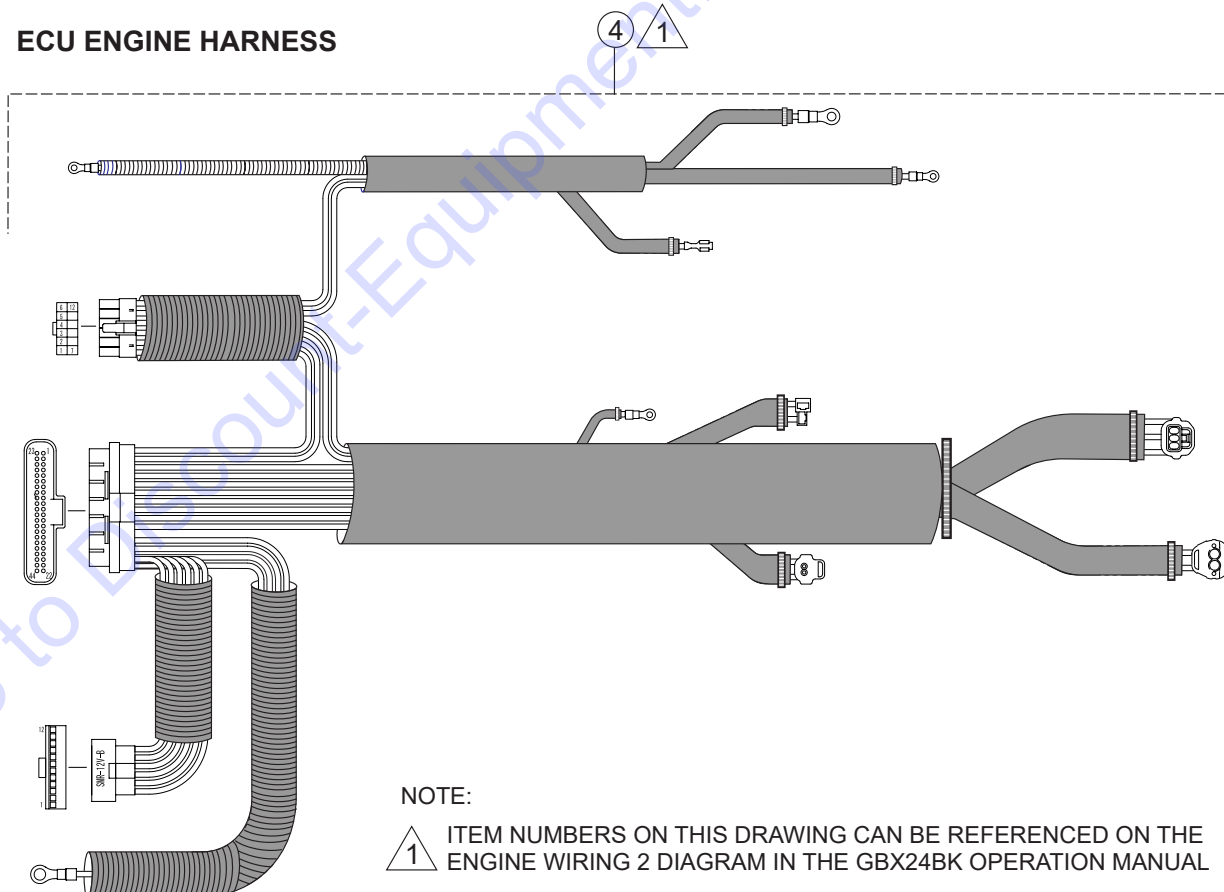
SINGLE WIRE



FUSE CABLE



ECU ENGINE HARNESS



NOTE:

1 ITEM NUMBERS ON THIS DRAWING CAN BE REFERENCED ON THE ENGINE WIRING 2 DIAGRAM IN THE GBX24BK OPERATION MANUAL

ENGINE WIRING 2 ASSY.

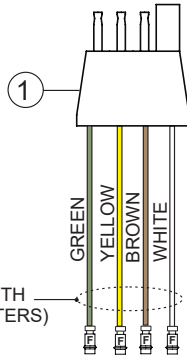
<u>NO.</u>	<u>PART NO.</u>	<u>PART NAME</u>	<u>QTY.</u>	<u>REMARKS</u>
1	A300397202	CABLE, BATTERY (28.75 IN./730 MM)	1	
2	A300401102	CABLE W/FUSE HOLDER	1.....	INCLUDES ITMEM W/#
2A#	E000220300	FUSE, 50 AMP		
3	A300397302	CABLE, BATTERY (8.70 IN./220 MM)	1	
4	A200149201	ECU ENGINE HARNESS	1.....	KUBOTA Z482

Go to Discount-Equipment.com to order your parts

TRAILER WIRING LIGHTS ASSY.

GREEN = TAIL LIGHT RIGHT
 YELLOW = TAIL LIGHT LEFT
 BROWN = TAIL LIGHT LEFT/RIGHT
 WHITE GND.

CONNECT TO
 TOW VEHICLE

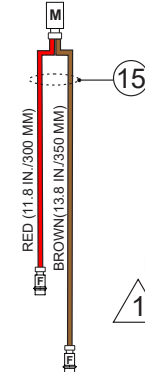
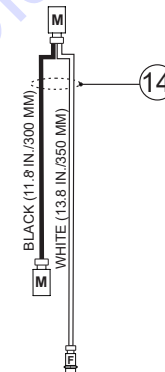
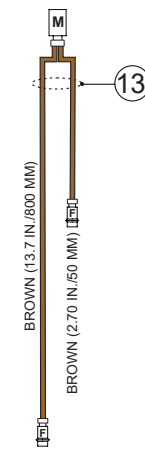
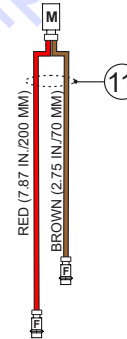
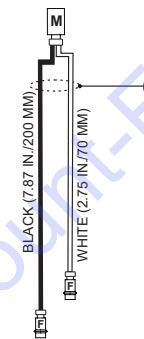
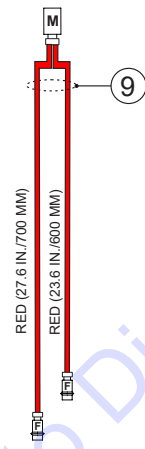
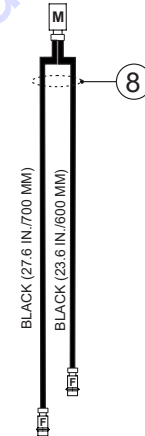
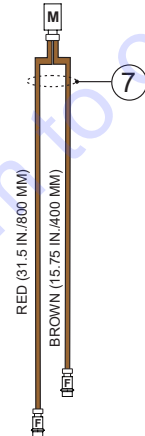
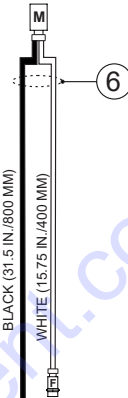
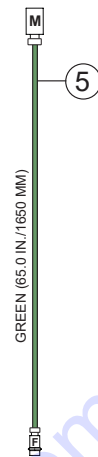
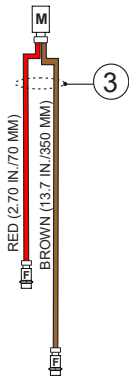


LIGHT TOWER
 TRAILER 4-PIN
 MALE MOLDED
 CONNECTOR

ALL WIRES 14 AWG.

CABLE LENGTH
 14 FT. (4.26 METERS)

ALL WIRES 18 AWG.



NOTE:



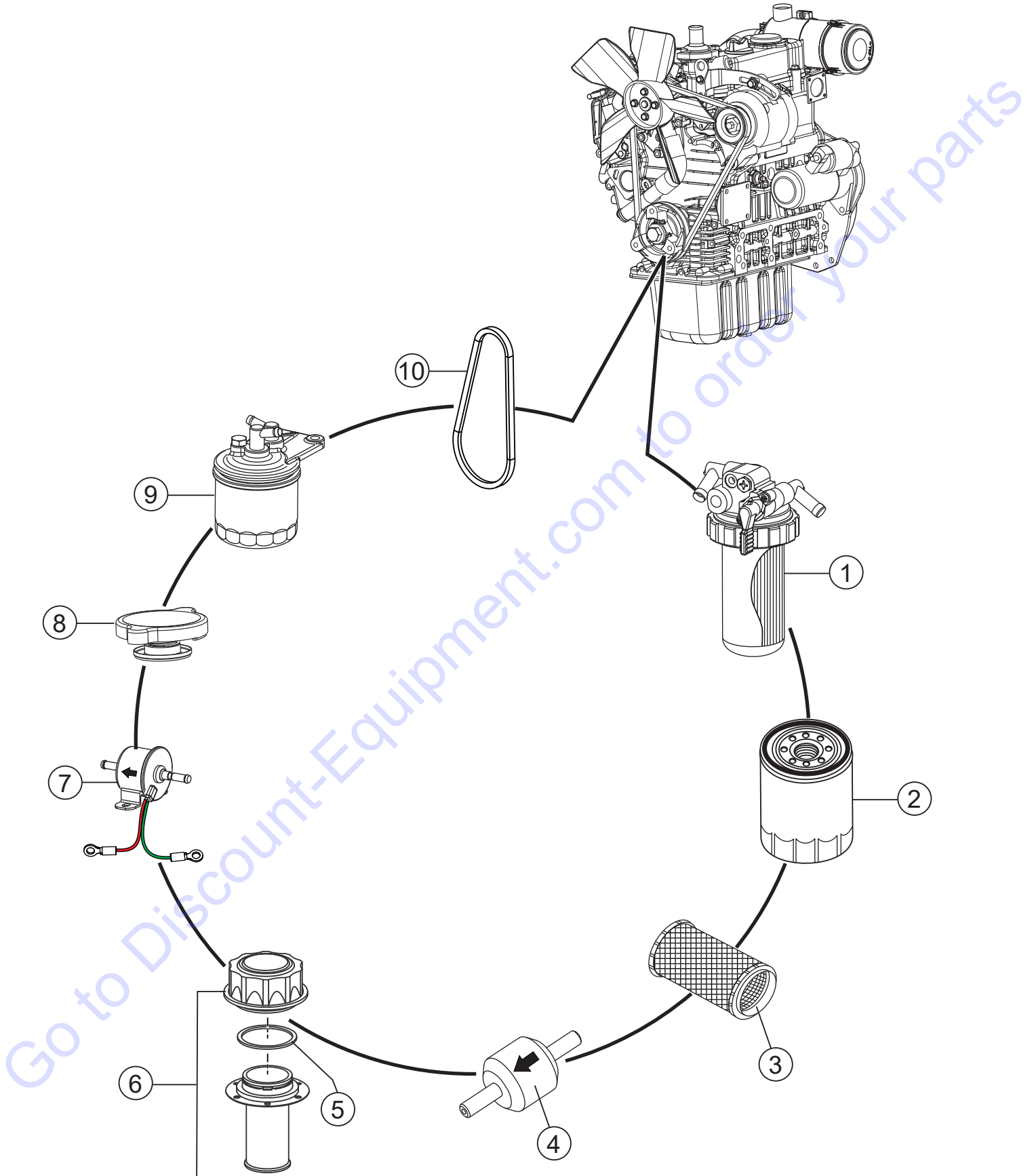
ITEM NUMBERS ON THIS DRAWING CAN BE REFERENCED
 ON THE TRAILER LIGHTS WIRING DIAGRAM IN THE GBX24BK
 OPERATION MANUAL

TRAILER WIRING LIGHTS ASSY.

<u>NO.</u>	<u>PART NO.</u>	<u>PART NAME</u>	<u>QTY.</u>	<u>REMARKS</u>
1	A300400800	TRAILER CABLE LIGHTS, 4-PIN MALE	1	
2	A400485900	BRANCH CABLE, NEGATIVE (BLK/WHITE)	1	
3	A400486000	BRANCH CABLE POSITIVE (RED/BROWN)	1	
4	A400486100	WIRE, YELLOW POSITIVE	1	
5	A400486200	WIRE, GREEN POSITIVE	1	
6	A400486300	BRANCH CABLE, NEGATIVE (BLK/WHITE)	1	
7	A400486400	BRANCH CABLE, POSITIVE (RED/BROWN)	1	
8	A400486500	BRANCH CABLE, NEGATIVE (BLK/BLK)	1	
9	A400486600	BRANCH CABLE, POSITIVE (RED/RED)	1	
10	A400486700	BRANCH CABLE, NEGATIVE (BLK/WHITE)	1	
11	A400486800	BRANCH CABLE, POSITIVE (RED/BROWN)	1	
12	A400486900	BRANCH CABLE, NEGATIVE (WHT/WHT)	1	
13	A400487000	BRANCH CABLE, POSITIVE (BRN/BRN)	1	
14	A400487100	BRANCH CABLE, NEGATIVE (BLK/WHITE)	1	
15	A400487200	BRANCH CABLE, POSITIVE (RED/BROWN)	1	

Go to Discount-Equipment.com to order your parts

ENGINE SERVICE PARTS



ENGINE SERVICE PARTS

<u>NO.</u>	<u>PART NO.</u>	<u>PART NAME</u>	<u>QTY.</u>	<u>REMARKS</u>
1	1T02143560	ELEMENT, FUEL WATER SEPARATOR	1	
2	1J09032430	CARTRIDGE, OIL FILTER	1	
3	1G65911220	ELEMENT, AIR FILTER	1	
4	1C01042461	IN-LINE FUEL FILTER	1	
5	A400449101	FUEL CAP, O-RING	1	
6	E000170600	FUEL CAP SET W/FILTER	1	
7	36920-4	FUEL PUMP, +12 VDC	1	
8	0602011079	CAP, RADIATOR	1	
9	1522443010	CANISTER, FUEL FILTER	1	
10	1980572530	V-BELT, 34.5 IN. (876 MM)	1	

Go to Discount-Equipment.com to order your parts

PARTS FINDER

**Search Website
by Part Number**



**Search Manual
Library For Parts
Manual & Lookup Part
Numbers – Purchase
or Request Quote**

Search Manuals

Enter your information to help us find the right parts manual for your machine.

* Brand:

* Model:

* Serial:

* Part Number:

SEARCH

**Can't Find Part or
Manual? Request Help
by Manufacturer,
Model & Description**

Parts Order Form

Please fill in the following information to help us find the right part for your machine.

Manufacturer:	<input type="text"/>
Model:	<input type="text"/>
Description:	<input type="text"/>
Part Number:	<input type="text"/>
Quantity:	<input type="text"/>
Notes:	<input type="text"/>

Submit

Discount-Equipment.com is your online resource for quality parts & equipment.

Florida: **561-964-4949** Outside Florida TOLL FREE: **877-690-3101**

Need parts?

Click on this link: <http://www.discount-equipment.com/category/5443-parts/> and choose one of the options to help get the right parts and equipment you are looking for. Please have the machine model and serial number available in order to help us get you the correct parts. If you don't find the part on the website or on one of the online manuals, please fill out the request form and one of our experienced staff members will get back to you with a quote for the right part that your machine needs.

We sell worldwide for the brands: Genie, Terex, JLG, MultiQuip, Mikasa, Essick, Whiteman, Mayco, Toro Stone, Diamond Products, Generac Magnum, Airman, Haulotte, Barreto, Power Blanket, Nifty Lift, Atlas Copco, Chicago Pneumatic, Allmand, Miller Curber, Skyjack, Lull, Skytrak, Tsurumi, Husquvarna Target, Stow, Wacker, Sakai, Mi-T-M, Sullair, Basic, Dynapac, MBW, Weber, Bartell, Bennar Newman, Haulotte, Ditch Runner, Menegotti, Morrison, Contec, Buddy, Crown, Edco, Wyco, Bomag, Laymor, EZ Trench, Bil-Jax, F.S. Curtis, Gehl Pavers, Heli, Honda, ICS/PowerGrit, IHI, Partner, Imer, Clipper, MMD, Koshin, Rice, CH&E, General Equipment, Amida, Coleman, NAC, Gradall, Square Shooter, Kent, Stanley, Tamco, Toku, Hatz, Kohler, Robin, Wisconsin, Northrock, Oztec, Toker TK, Rol-Air, APT, Wylie, Ingersoll Rand / Doosan, Innovatech, Con X, Ammann, Mecalac, Makinex, Smith Surface Prep, Small Line, Wanco, Yanmar