

# OPERATION AND PARTS MANUAL



## **GloBug SERIES GB8LED LIGHTING SYSTEM**

Revision #0 (03/09/15)



**THIS MANUAL MUST ACCOMPANY THE EQUIPMENT AT ALL TIMES.**

# PARTS FINDER

**Search Website  
by Part Number**



**Search Manual  
Library For Parts  
Manual & Lookup Part  
Numbers – Purchase  
or Request Quote**

**Search Manuals**

Enter your information to search for a manual or to purchase a manual or parts.

\* Brand:

\* Model:

\* Serial:

\* Part Number:

SEARCH

**Can't Find Part or  
Manual? Request Help  
by Manufacturer,  
Model & Description**

**Parts Order Form**

Please fill in the following information:

Manufacturer:

Model:

Description:

Quantity:

Part Number:

Part Name:

Part Description:

Part Category:

Part Location:

Part Status:

Part Condition:

Part Material:

Part Color:

Part Weight:

Part Dimensions:

Part Price:

Part Notes:

Submit

Discount-Equipment.com is your online resource for quality parts & equipment.

Florida: **561-964-4949** Outside Florida TOLL FREE: **877-690-3101**

**Need parts?**

Click on this link: <http://www.discount-equipment.com/category/5443-parts/> and choose one of the options to help get the right parts and equipment you are looking for. Please have the machine model and serial number available in order to help us get you the correct parts. If you don't find the part on the website or on one of the online manuals, please fill out the request form and one of our experienced staff members will get back to you with a quote for the right part that your machine needs.

We sell worldwide for the brands: Genie, Terex, JLG, MultiQuip, Mikasa, Essick, Whiteman, Mayco, Toro Stone, Diamond Products, Generac Magnum, Airman, Haulotte, Barreto, Power Blanket, Nifty Lift, Atlas Copco, Chicago Pneumatic, Allmand, Miller Curber, Skyjack, Lull, Skytrak, Tsurumi, Husquvarna Target, Stow, Wacker, Sakai, Mi-T-M, Sullair, Basic, Dynapac, MBW, Weber, Bartell, Bennar Newman, Haulotte, Ditch Runner, Menegotti, Morrison, Contec, Buddy, Crown, Edco, Wyco, Bomag, Laymor, EZ Trench, Bil-Jax, F.S. Curtis, Gehl Pavers, Heli, Honda, ICS/PowerGrit, IHI, Partner, Imer, Clipper, MMD, Koshin, Rice, CH&E, General Equipment, Amida, Coleman, NAC, Gradall, Square Shooter, Kent, Stanley, Tamco, Toku, Hatz, Kohler, Robin, Wisconsin, Northrock, Oztec, Toker TK, Rol-Air, APT, Wylie, Ingersoll Rand / Doosan, Innovatech, Con X, Ammann, Mecalac, Makinex, Smith Surface Prep, Small Line, Wanco, Yanmar

# TABLE OF CONTENTS

## GB8LED LIGHTING SYSTEM

Table Of Contents.....	2
Parts Ordering Procedures.....	3
Safety Information .....	4-7
Specifications .....	8
Dimensions.....	9
Illumination Range.....	10
General Information.....	11
Components .....	12-13
Setup .....	14-16
Operation.....	17-19
Maintenance.....	20-23
Wiring Diagram.....	24
Troubleshooting .....	25-28
Explanation Of Code In Remarks Column.....	30
Suggested Spare Parts .....	31

## Component Drawings

Nameplate And Decals.....	32-33
Electrical Assembly .....	34-35
Pentapod Assembly.....	36-37
Mast Assembly .....	38-39
Terms And Conditions Of Sale — Parts .....	40

### NOTICE

Specifications and part numbers are subject to change without notice.

# SAFETY INFORMATION


Do not operate or service the equipment before reading the entire manual. Safety precautions should be followed at all times when operating this equipment. Failure to read and understand the safety messages and operating instructions could result in injury to yourself and others.





## SAFETY MESSAGES

The four safety messages shown below will inform you about potential hazards that could injure you or others. The safety messages specifically address the level of exposure to the operator and are preceded by one of four words: **DANGER**, **WARNING**, **CAUTION** or **NOTICE**.

## SAFETY SYMBOLS



 <b>DANGER</b>
Indicates a hazardous situation which, if not avoided, <b>WILL</b> result in <b>DEATH</b> or <b>SERIOUS INJURY</b> .

 <b>WARNING</b>
Indicates a hazardous situation which, if not avoided, <b>COULD</b> result in <b>DEATH</b> or <b>SERIOUS INJURY</b> .

 <b>CAUTION</b>
Indicates a hazardous situation which, if not avoided, <b>COULD</b> result in <b>MINOR</b> or <b>MODERATE INJURY</b> .

<b>NOTICE</b>
Addresses practices not related to personal injury.

Potential hazards associated with the operation of this equipment will be referenced with hazard symbols which may appear throughout this manual in conjunction with safety messages.

Symbol	Safety Hazard
	Burn hazards
	Electric shock hazards

# SAFETY INFORMATION

## GENERAL SAFETY

### CAUTION

- **NEVER** operate this equipment without proper protective clothing, shatterproof glasses, respiratory protection, hearing protection, steel-toed boots and other protective devices required by the job or city and state regulations.



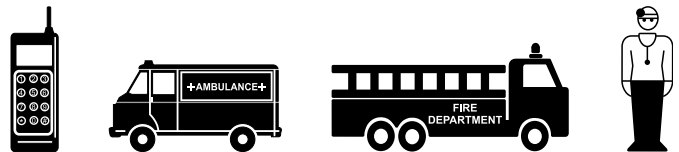
- **NEVER** operate this equipment when not feeling well due to fatigue, illness or when under medication.
- **NEVER** operate this equipment under the influence of drugs or alcohol.



- **ALWAYS** check the equipment for loosened threads or bolts before starting.
- **DO NOT** use the equipment for any purpose other than its intended purposes or applications.

### NOTICE

- This equipment should only be operated by trained and qualified personnel 18 years of age and older.
- Whenever necessary, replace nameplate, operation and safety decals when they become difficult read.
- Manufacturer does not assume responsibility for any accident due to equipment modifications. Unauthorized equipment modification will void all warranties.
- **NEVER** use accessories or attachments that are not recommended by Multiquip for this equipment. Damage to the equipment and/or injury to user may result.
- **ALWAYS** know the location of the nearest **fire extinguisher**.
- **ALWAYS** know the location of the nearest **first aid kit**.
- **ALWAYS** know the location of the nearest phone or **keep a phone on the job site**. Also, know the phone numbers of the nearest **ambulance, doctor and fire department**. This information will be invaluable in the case of an emergency.



# SAFETY INFORMATION

## LIGHTING SYSTEM SAFETY

### WARNING

- **NEVER** disconnect any **emergency or safety devices**. These devices are intended for operator safety. Disconnection of these devices can cause **severe injury, bodily harm or even death**. Disconnection of any of these devices will void all warranties.

### CAUTION

- **NEVER** attempt service on a running machine.

### NOTICE

- To prevent the lighting system from overturning, **NEVER** use in winds that exceed 25 mph (11 m/s).
- The lighting system should only be used in temperatures between 14° to 104°F (10° to 40° C). Failure to comply with these operating parameters could cause the lamp to malfunction and shorten the ballast life.
- **ALWAYS** keep the lighting system in proper running condition.
- Fix damage to lighting system and replace any broken parts immediately.
- **ALWAYS** store equipment properly when it is not being used. Equipment should be stored in a clean, dry location out of the reach of children and unauthorized personnel.

### NOTICE

- **NEVER** leave any grease or oil residue on lamp surface when replacing or removing lamp. This can create hot spots, reducing the service life of the lamp.
- **ALWAYS** make sure lamp surface is clean and dry.
- **ALWAYS** replace with MQ recommended type lamp. See parts section of this manual.
- If applicable, **ALWAYS** make sure the lamp guard is installed correctly. **NEVER** deform the lamp guard.
- **NEVER** unplug the lamp's AC power cable during operation.
- **ALWAYS** have a **trained technician** to install and remove lamp or replace any damaged fixture wiring.

## TRANSPORTING SAFETY

### NOTICE

- When transporting the pentapod lighting system, if applicable, always place in **stow position** and place pentapod in its carrying case.
- **ALWAYS** remove balloon/lamp assembly from the mast when transporting lighting system. This will prevent damage to the bulb due to vibration.
- **NEVER** leave the balloon/lamp exposed during transport. Exposure to excess wind or rain could damage the balloon's nylon cover.
- **ALWAYS** place balloon inside its protective cover during transport. Be sure the cover is secured tightly around the balloon/lamp assembly.

# SAFETY INFORMATION

## BALLOON SAFETY

### CAUTION

- **ALWAYS** keep the balloon away from sharp objects and excessive amounts of heat.

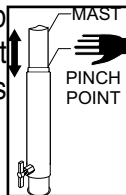
### NOTICE

- To prevent balloon deformation, **NEVER** use lighting system in strong winds.
- **DO NOT** place the balloon inside its protective cover until the lamp has had a sufficient amount of time to cool down. This will prevent the balloon's nylon cover from being burned (touching the lamp surface).
- **ALWAYS** place the balloon inside its protective cover after each use. This will prolong the life of the balloon material, keeping it protected from harsh environmental elements.
- Replace balloon immediately if damaged. A damaged balloon will not inflate properly, and may become more damaged by touching the hot lamp surface.
- **DO NOT** use excessive force when zipping and unzipping the balloon. Be gentle with the zipper mechanism. If the zipper is broken, the balloon will become unusable.

## MAST SAFETY

### CAUTION

- When raising or lowering the mast, keep hands and fingers clear of the various mast sections, this will prevent hands and fingers from getting pinched.
- **NEVER** attach anything to the mast.
- **ALWAYS** lower the mast when not in use, or if high winds or electrical storms are expected in the area.



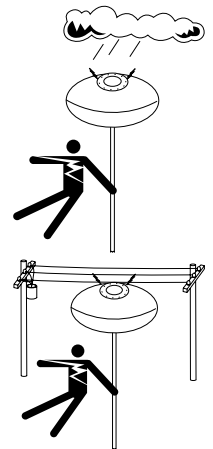
## ELECTRICAL SAFETY

### ! DANGER

- Lighting system is equipped with a ground pin on the power plug. For your protection, **ALWAYS** complete the grounding path. **NEVER** insert the AC power plug into a 2-prong receptacle to operate lighting system.

When applying power to the lighting system, **ALWAYS** connect the AC power plug to a 3-prong receptacle that is grounded. The possibility exists of **electrical shock, electrocution and even death** if the lighting system is not grounded.

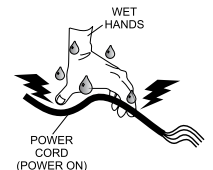
- **NEVER** operate lighting system or handle any electrical equipment while standing in water, while barefoot, while hands are wet or in the rain. A dangerous **electrical shock** could occur, causing **severe bodily harm or even death**.
- **ALWAYS** make sure the area above the lighting system is open and clear of overhead power lines and other obstructions. Contact with overhead power lines or other obstructions could result in equipment damage, **electrical shock, electrocution and even death**.



## Power Cord/Cable Safety

### ! DANGER

- **NEVER** let power cords or cables lay in water.
- **NEVER** use **damaged** or **worn** cables or cords. Inspect for cuts in the insulation
- **NEVER** grab or touch a live power cord or cable with wet hands. The possibility exists of **electrical shock, electrocution or death**.
- Make sure power cables are securely connected. Incorrect connections may cause **electrical shock** and damage to the lighting system.



### NOTICE

- **ALWAYS** make certain that proper power or extension cord has been selected for the job. See Cable Selection Chart in this manual.

## SPECIFICATIONS

<b>Table 1. Specifications</b>		
<b>Globug Lighting System</b>		
<b>Model</b>	GB8LED	
Input Voltage	120 VAC	
Frequency	50 Hz/ 60 Hz	
Max. Current	6.9 Amps (120V @800 W)	
Weight	Lamp Fixture	24.70 lb (11.2 kg)
	Mast	4.85 lb (2.2 kg)
	Pentapod	18.70 lb (8.5 kg)
	Storage Case	1.54 lb (0.7 kg)
	Cable	1.54 lb (0.7 kg)
	Total	51.33 lb (23.3 kg)
Appropriate Generator	850 W and above	
<b>Lamp</b>		
Lamp Type	LED	
Dimming Control	3 stages: 800W / 600W / 400W	
Total Luminous Flux (lm)	110000 ±7% @800W	
	68000 ±7% @600W	
	53000 ±7% @400W	
Operation_Enabled Temperature Range	14 to 104°F (-10 to 40 °C)	
<b>Mast</b>		
Number of Stages	3 (with gas assist)	
Maximum Height (Standard)	11.25 feet (3.42 meters)	



# DIMENSIONS

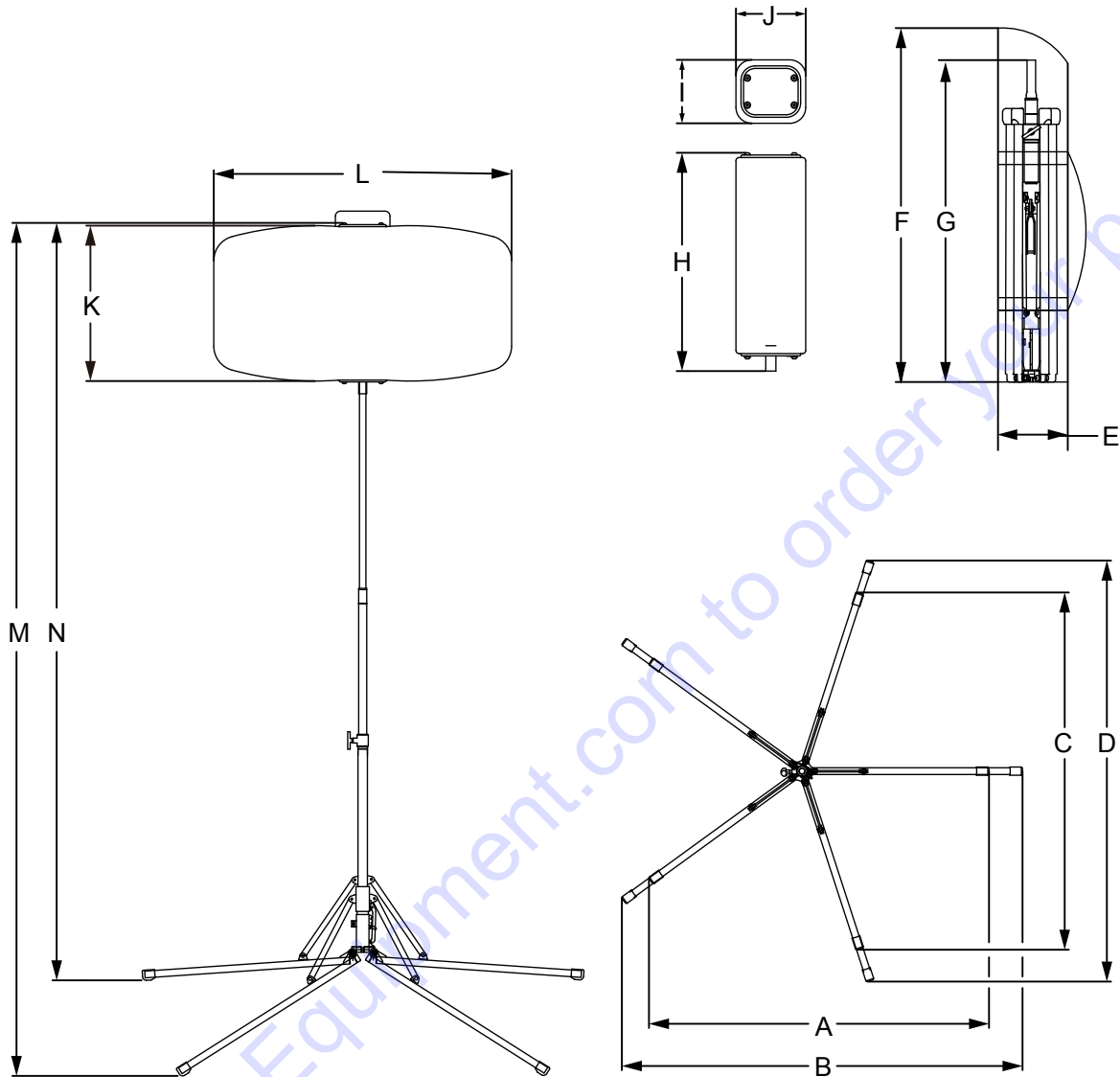
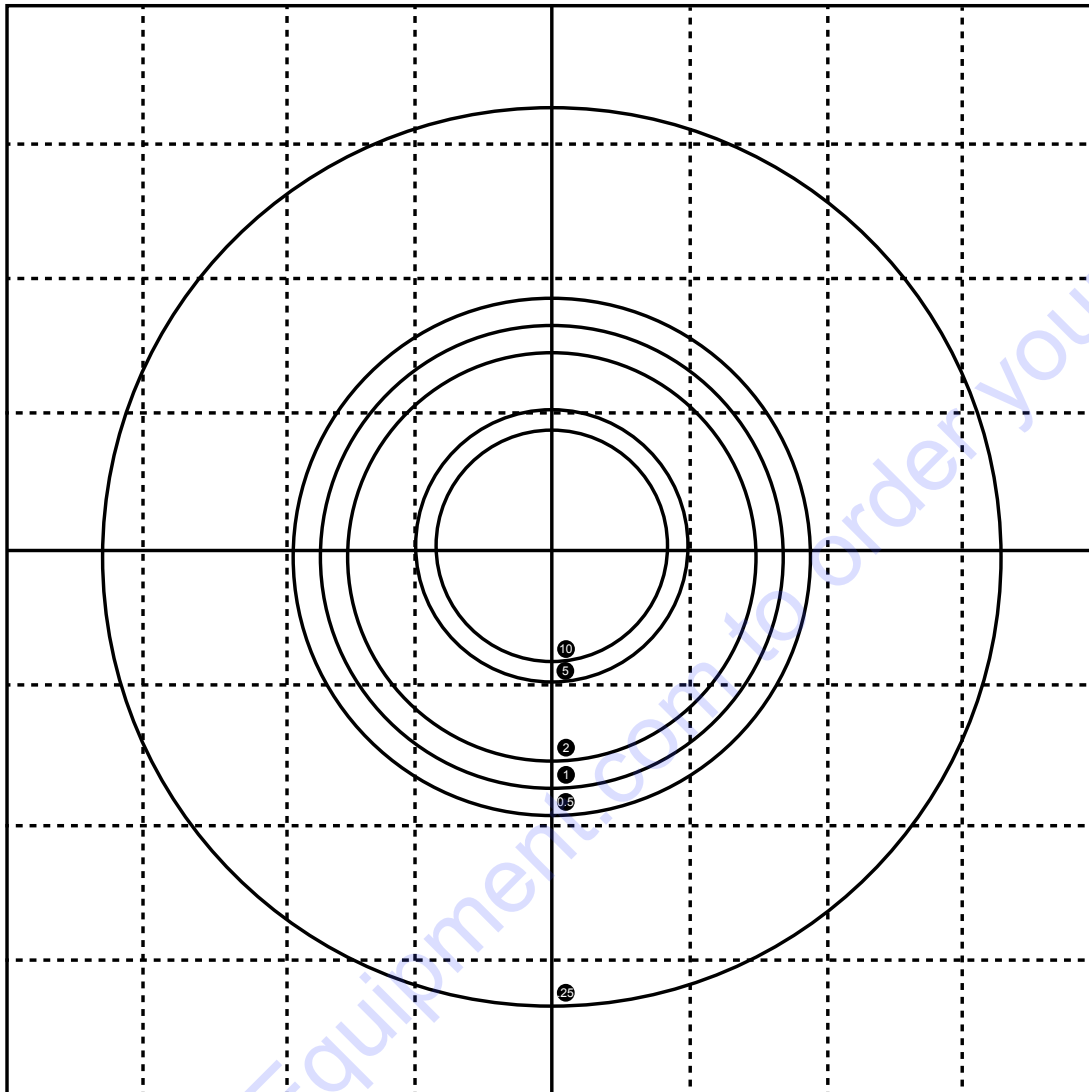


Figure 1. Dimensions

Table 2. Dimensions

Reference Letter	Dimension in. (mm.)	Reference Letter	Dimension in. (mm.)
A	Upper Position - 54.0 (1,372)	H	27.0 (690)
B	Lower Position - 64.0 (1,615)	I	8.0 (200)
C	Upper Position - 57.0 (1,440)	J	9.0 (220)
D	Lower Position - 67.0 (1,700)	K	25.0 (650)
E	7.5 (190)	L	47 in. (1200)
F	44.1 (1,120)	M	82.9 - 135.2 in. (2106 - 3435)
G	40.0 (1,016)	N	68 - 120 in. (1727 - 3048)

# ILLUMINATION RANGE



1 Grid = 20 ft. (6 meters)

Illuminance (Footcandle)	10	5	2	1	0.5	0.25
Diameter Ft. (Meters)	34 (10)	40 (12)	60 (18)	68 (21)	76 (23)	132 (40)

**Figure 2. Illumination Range (Foot Candles)**

## GENERAL INFORMATION

The Multiquip GloBug GB8LED is a general purpose, portable, glare-free lighting systems Typical applications for these types of lighting systems include construction sites, emergency road crews and backyard parties.

### LIGHTING

This GloBug lighting system is comprised of LED lamps in a shock-resistant, waterproof LED assembly. The LED assembly has an output of 110,000 lumens @800W. The LEDs have a long operating life of up to 40,000 hours. The lighting system has a 3-stage dimming control (400W, 600W and 800W).

### SETUP

The GB8LED lighting system can be set up quickly and easily. Pentapod legs can be deployed in one quick easy step and can be adjusted to two different heights.

In addition the unit is equipped with a gas-assist mast lowering system. This system allows the mast to be retracted slowly so that the mast will not fall rapidly when released. This feature reduces the amount of vibration or shock to the lamp.

### TRANSPORT

The GB8LED lighting system can be transported (Figure 3) quite easily in two carrying cases.

For ease of service or transport, the lamp assembly is equipped with a quick-disconnect connector that allows the lamp fixture to be removed quickly. This feature is extremely useful during transport of the lighting system. It is always best to remove the lamp and pack it safely so it will not be damaged.

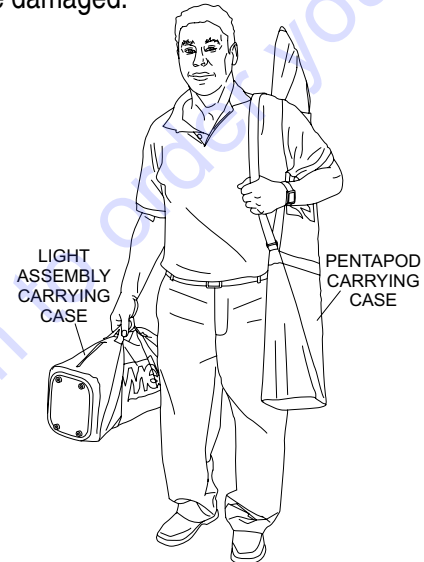


Figure 3. GB8LED Transporting

# COMPONENTS

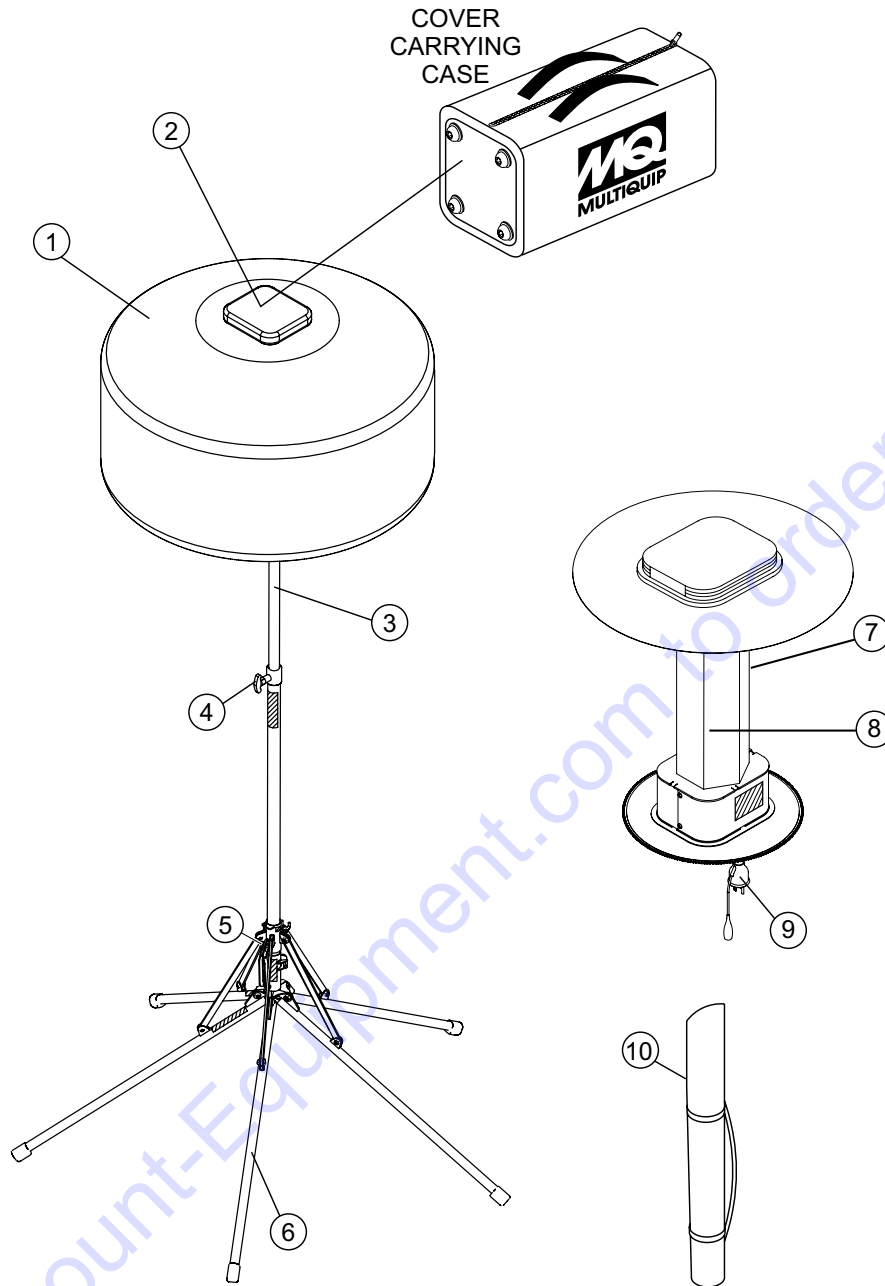


Figure 4. Major Components

## COMPONENTS

Figure 4 shows the location of the components for the GB8LED lighting system. The function of each component is described below:

1. **Balloon** — This balloon is made of heat-resistant polyester, with a diameter of 43 inches (1092 mm).
2. **Balloon Cover/Carrying Case** — When zipped, this protective cover acts like a carrying case. The complete lamp assembly is enclosed within the cover-carrying case. Allow a sufficient amount of time for the lamp to cool down before covering balloon. The possibility exists of the balloon getting burned.
3. **Mast** — Three stage gas-assist mast. Maximum mast height is 11.25 ft. (3.42 meters). When raising the mast, always be on the lookout for overhead obstructions.
4. **T-Handle Bolt Lock** — Always tighten this lock to hold the lamp/balloon securely in place before raising mast.
5. **Weight Support Hook** — To add additional weight to the tripod and make the tripod more stable in windy conditions. Place a sandbag or similar weight onto this hook.
6. **Pentapod** — Unbuckle velcro strap securing pentapod legs (5), push down on any leg until all legs are fully deployed. To place legs in the stowed position, pull upward on velcro strap while pushing down on pentapod pole. Pull all legs upward and secure with velcro strap.
7. **Lamp Guard** — This guard (cage) protects the lamp from being hit by objects.
8. **Lamp** — Comprised of LED lamps. The lamps have three stages of brightness: 800W, 600W, and 400W.
9. **AC Power Cable** — Connect this cable to a 120 VAC, 60 Hz power source.
10. **Pentapod Carrying Case** — Use this case when transporting of the tripod is required. **ALWAYS** store tripod in this carrying case when not in use.

## PENTAPOD DEPLOYMENT

1. Place the pentapod on a firm level surface so that it will not slide or turn over. Make sure there is enough space around the unit for the tripod legs to be deployed.
2. Remove pentapod from its carrying case. The pentapod legs are secured by a black velcro strap (Figure 5). Squeeze both tabs on each side of buckle to unlock strap and allow tripod legs (Figure 6) to be deployed.

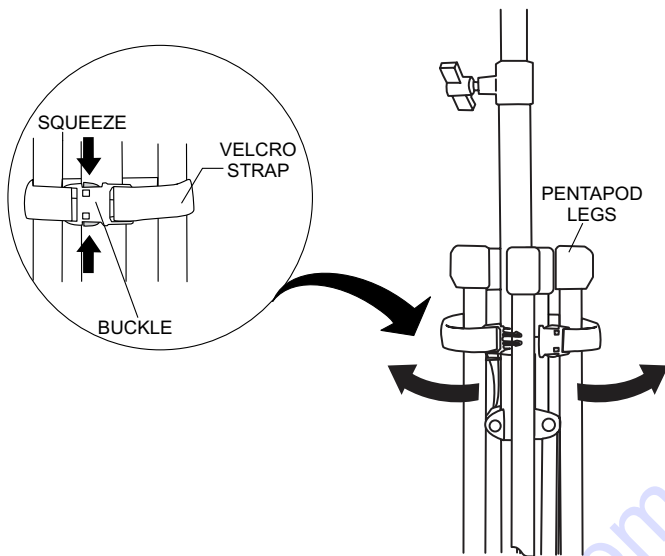


Figure 5. Velcro Strap (Open)

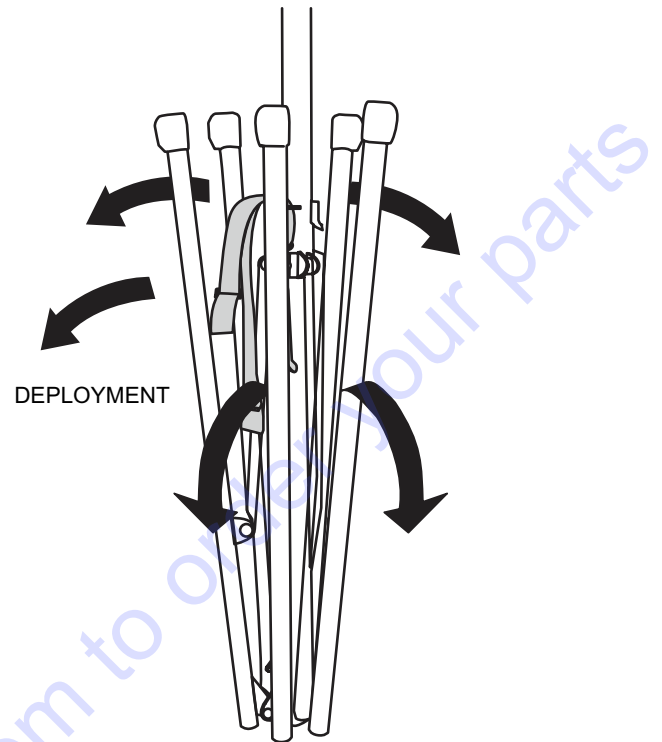
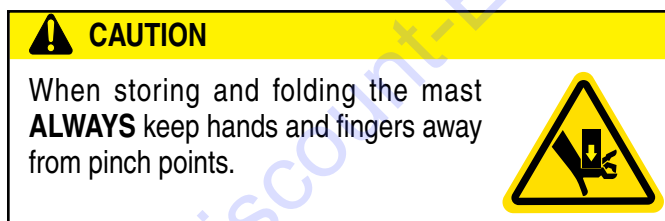


Figure 6. Pentapod Deployment

3. Next, pull upward on the mast and let the tripod legs deploy. Once the tripod legs have been fully deployed make sure the legs are locked by securing the latch.

The latch (Figure 7) has two positions, upper and lower. Placing the latch in the upper position will provide 1 ft. (305 mm) more height.

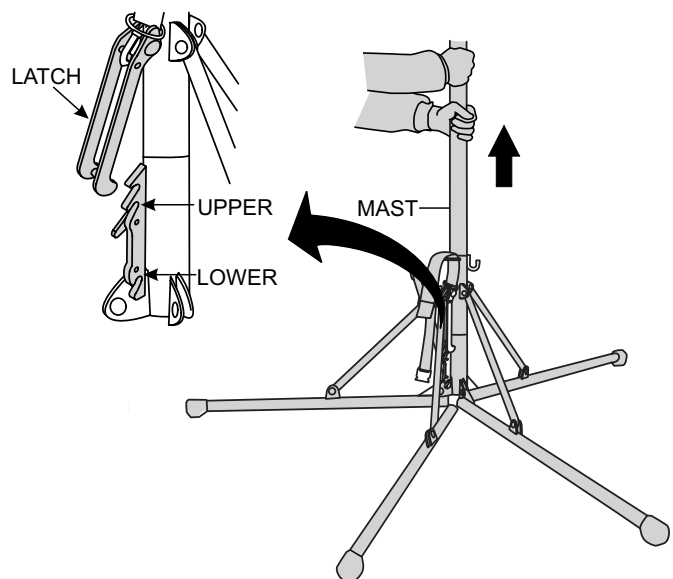
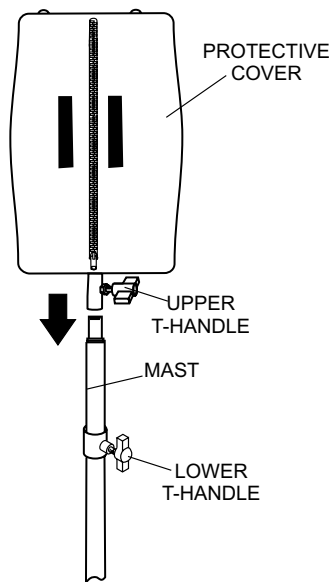


Figure 7. Securing the Tripod

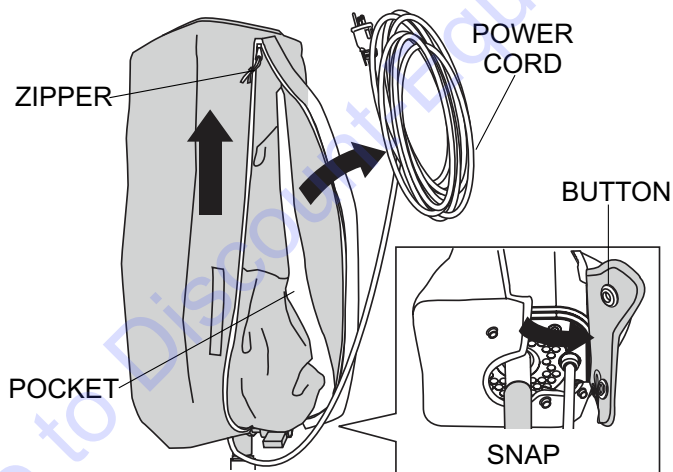
## BALLOON ASSEMBLY PLACEMENT

1. Place balloon assembly (Figure 8) onto mast and tighten Upper T-handle.



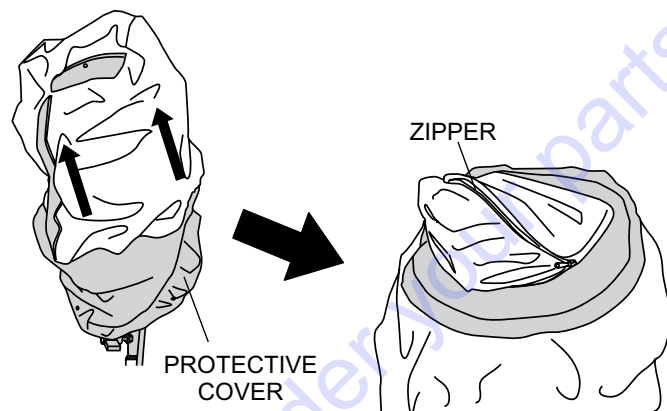
**Figure 8. Light Assembly Placement**

2. Unsnap the three buttons on the bottom of the balloon. Expose the balloon by pulling down on the velcro tab and unzip the protective cover as shown in Figure 9. Also remove the AC power cord at this time.



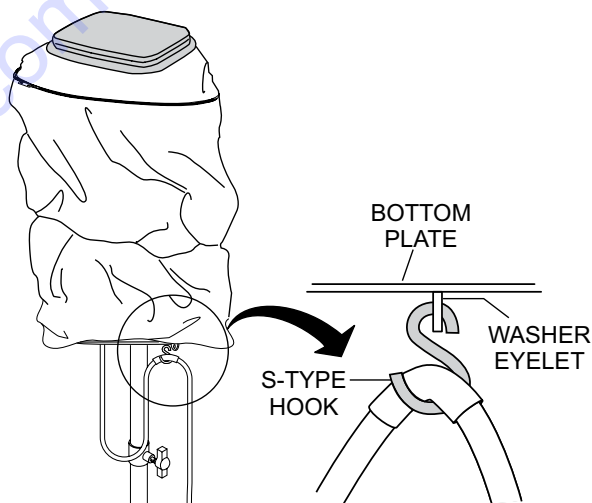
**Figure 9. Removing Balloon/AC Power Cord**

3. Next, fold the protective cover (Figure 10) into itself and zip.



**Figure 10. Folding Protective Cover**

4. Attach the S-type hook (Figure 11) on the AC power cable onto the washer-eyelet located on the bottom plate of the light assembly.

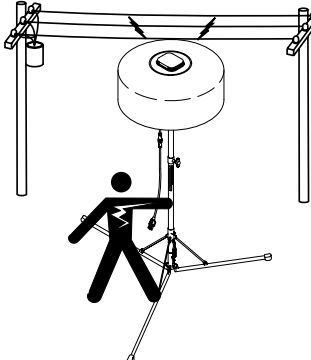


**Figure 11. Securing Power Cord**

## RAISING THE MAST

Before raising the mast, make sure the upper T-handle bolt lock (Figure 12) is securely tightened. This will prevent the balloon/lamp assembly from falling off. In addition make sure that the lamp power cable is connected to the mating end of the 11 ft (3.35 meters) power source cable.

**⚠ DANGER**




**ALWAYS** make sure the area above the lighting system is open and clear of overhead power lines and other obstructions. The mast extends in excess of 11 ft. (3.35 meters) when an optional extension is used. Contact with overhead power lines or other obstructions could result in equipment damage, serious injury or death!

**⚠ CAUTION**

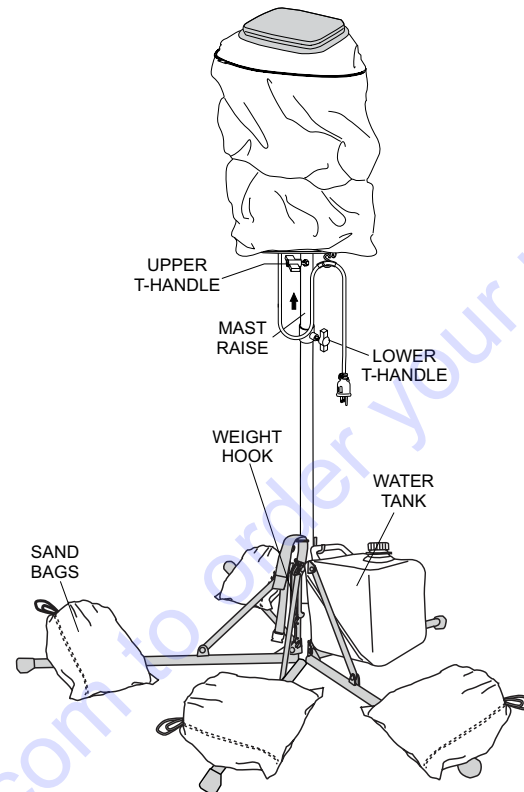
When raising mast, **ALWAYS** be on the lookout for overhead obstructions such as high voltage power lines. The possibility exists of electrocution, even death! if the lighting system comes in contact with high voltage power lines.

**⚠ DANGER**



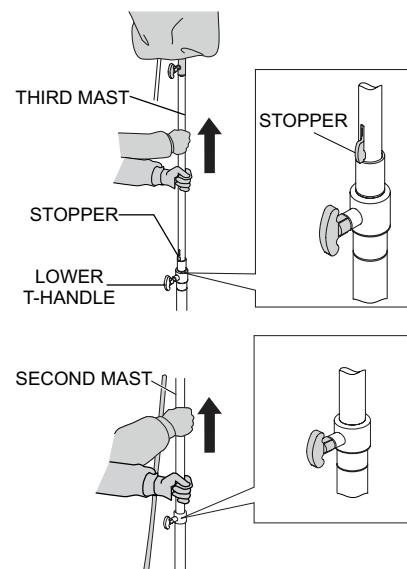
When raising mast, **ALWAYS** be on the lookout for overhead obstructions such as high voltage power lines. The possibility exists of electrocution, even death! if the lighting system comes in contact with high voltage power lines.

5. To improve stability and to prevent tipping of the light unit, place sand bags or similar type weight over the pentapod legs or weight hook as shown in Figure 12.



**Figure 12. Sand Bags**

6. Tighten lower T-handle (Figure 13) securely and raise third mast to desired height.
7. Next, loosen lower T-handle and raise second mast to desired height. Once desired height has been achieved tighten lower T-handle.

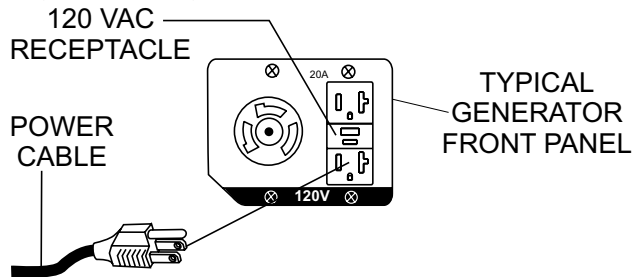


**Figure 13. Raising The Mast**



## APPLYING POWER

1. Connect the AC power cord to a 120 VAC external power source or to a 120 VAC receptacle on a generator (Figure 14).

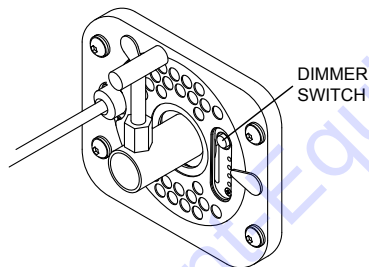


**Figure 14. Connecting to Power Source**

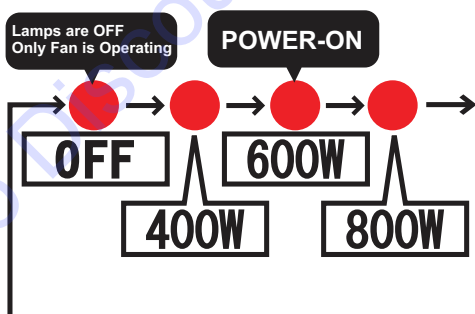
2. Start the generator as indicated in the generator manual.
3. Turn on the power of the generator. The balloon will start to inflate and the lamp will turn on at 600W.

## DIMMING THE LAMP

1. Press the dimmer switch to control the brightness of the lamp (Figure 15). The lamp can be turned off or set to 400W, 600W or 800W. The corresponding LED will light red when selected (Figure 16).



**Figure 15. Dimmer Switch**



**Figure 16. Brightness LED Indicators**

2. Zip up the bottom of the balloon completely after use of the dimmer switch.

## SILENT MODE

Noise coming from the unit during operation can be eliminated.

1. Press and hold the dimmer switch (Figure 15) for 2 seconds. The blue LED in the center of the switch will flash when in silent mode.
2. To switch back to normal mode, press and hold the dimmer switch for 3 seconds. The blue LED will stop flashing.

### NOTICE

The brightness of the lamp can still be adjusted when in silent mode.

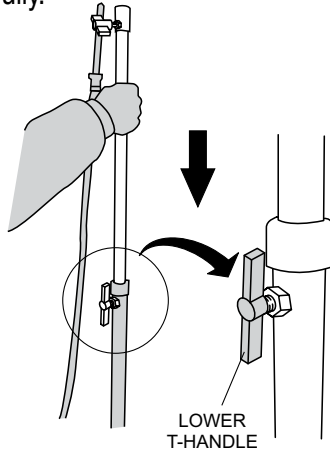
When unit is restarted, it will revert to normal mode even if silent mode was selected prior to shutdown.

## SHUTDOWN

1. Turn off the power switch of the generator. The balloon should start to deflate and the lamp will turn off.
2. Disconnect the AC power cord from the generator.

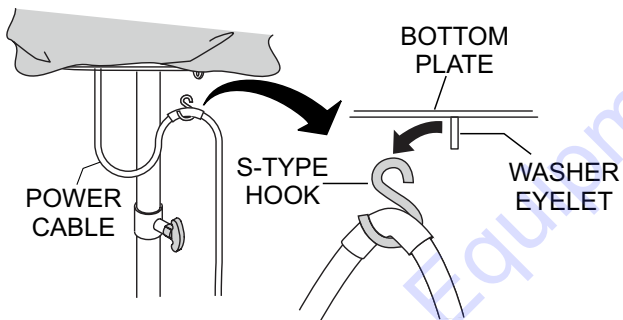
## STORAGE

1. Loosen the lower T-handle by turning handle counterclockwise (Figure 17). Push down on mast until mast is fully inserted into mast housing. Tighten T-handle fully.



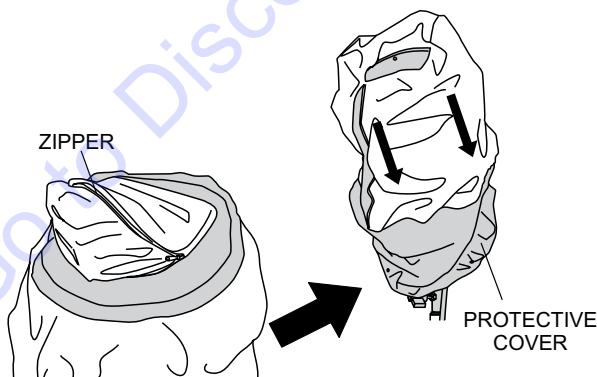
**Figure 17. Lowering the Mast**

2. Remove the S-type hook (Figure 18) on the AC power cord from the washer-eyellet located on the bottom plate of the light assembly.



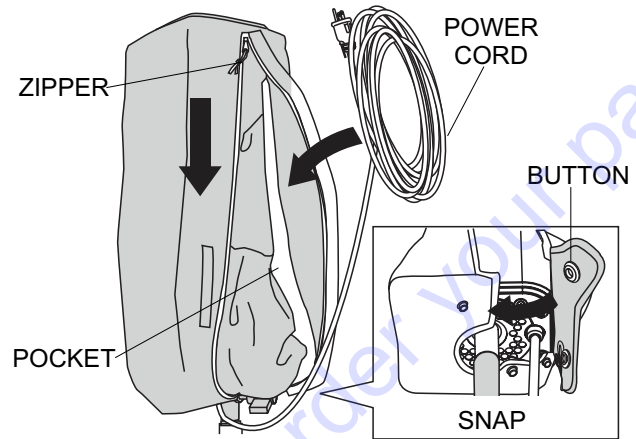
**Figure 18. removing Power Cable**

3. Unzip the zipper on the protective cover (Figure 19) and roll down the protective cover over the balloon cloth.



**Figure 19. Unzipping the Protective Cover**

4. Store the power cable inside the pocket of the protective cover (Figure 20). Zip up the protective cover and snap the buttons on the bottom of the protective cover.



**Figure 20. Zipping the Protective Cover**

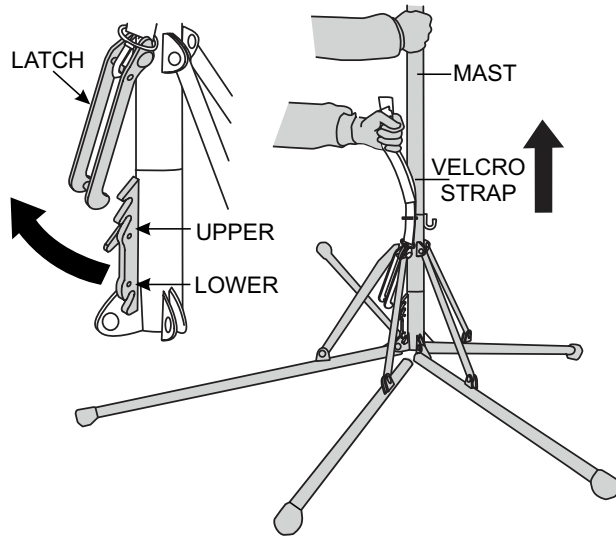
5. Loosen upper T-handle by turning counterclockwise and lift lamp assembly from mast.
6. Store lamp assembly enclosed with its protective cover (Figure 21) in a safe location where it will not be damaged.



**Figure 21. Storing Lamp Assembly**

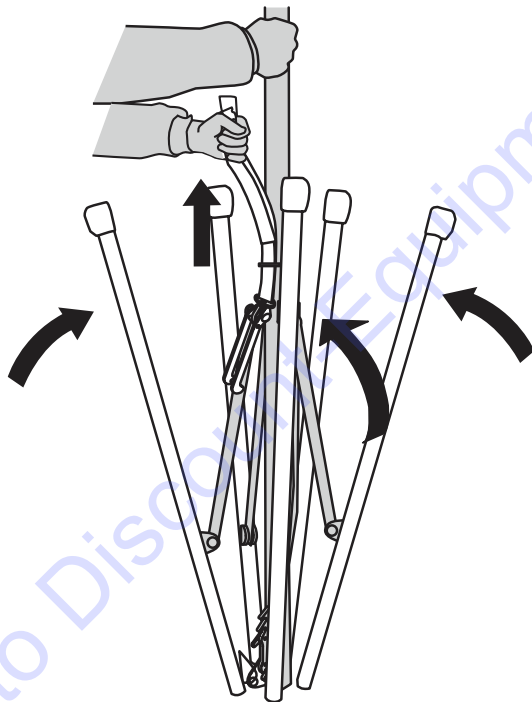
7. To retract pentapod legs (Figure 22) and place in the stow position, grab hold of the mast while pulling up on the velcro strap (releases latch). Continue pulling upward on the velcro strap until the pentapod legs are fully retracted and are in the stow position.

# OPERATION



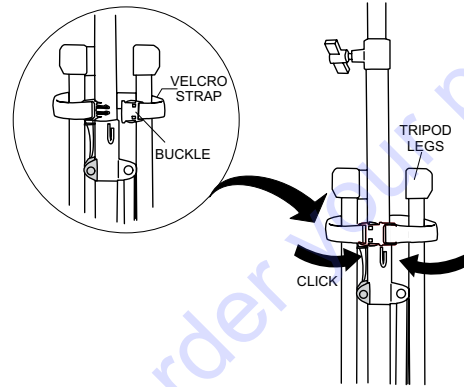
**Figure 22. Retracting Pentapod Legs**

8. Continue pulling upward (Figure 23) on the velcro strap until all 5 pentapod legs are fully retracted and are in the stow position.



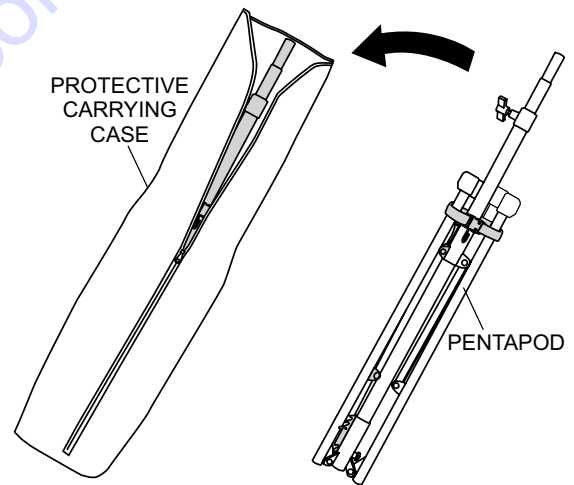
**Figure 23. Pentapod Legs Stow Position**

9. Once pentapod legs are in the stowed position, place velcro strap (Figure 24) around all 5 legs. Secure legs by inserting the male and female connector ends of the strap into each other.



**Figure 24. Velcro Strap (Closed)**

10. Place pentapod (Figure 25) inside protective carrying case.



**Figure 25. Carrying Case**

## REPLACING THE LAMP

### NOTICE

Contact Discount-equipment for assistance in replacing LED lamps.

## REPLACING BALLOON ENVELOPE

1. Unzip the zipper (Figure 26) at the top and bottom of the balloon envelope (cover).

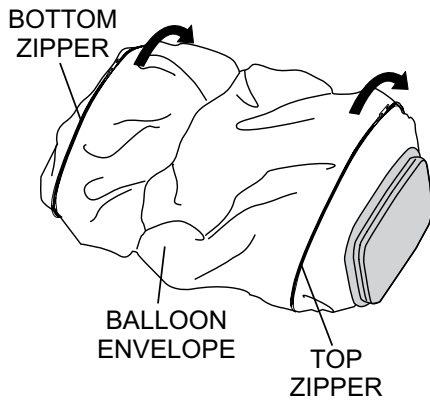


Figure 26. Unzipping the Balloon Envelope

2. Slide the old or worn balloon envelope (Figure 27) over the top of the lamp guard assembly.

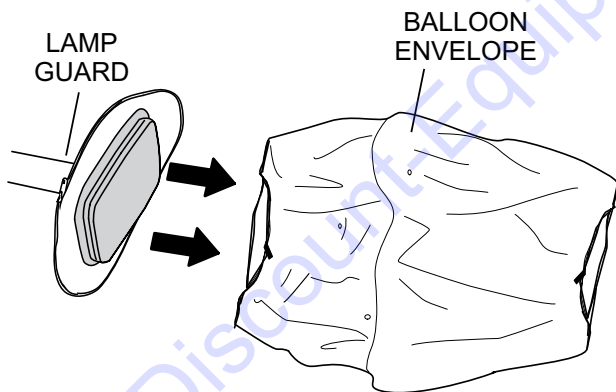


Figure 27. Removing the Balloon Envelope

3. Slide the new balloon (Figure 28) envelope over the top of the lamp guard assembly.

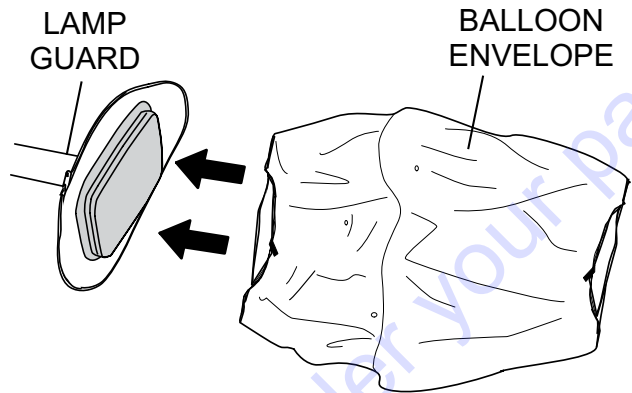


Figure 28. Installing New Balloon Envelope

4. Zip up the zipper (Figure 29) at the top and bottom of the balloon envelope (cover).

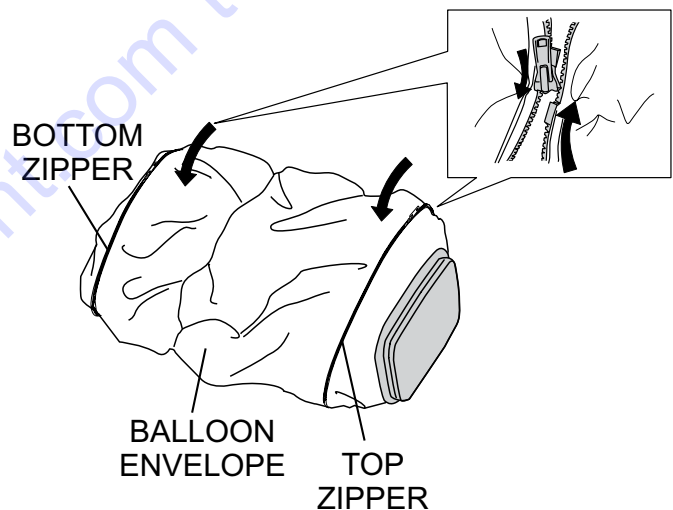
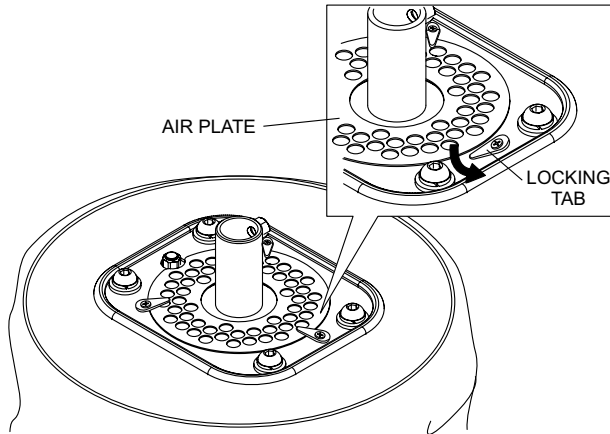


Figure 29. Zipping the Balloon Envelope

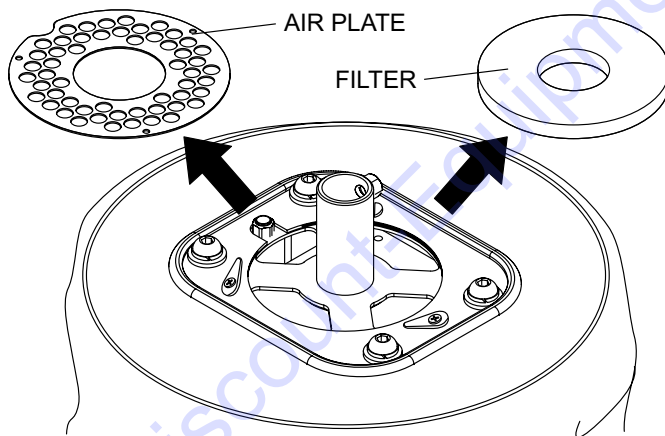
## FILTER REPLACEMENT

1. Remove the balloon as described in the STORAGE section.
2. Turn the balloon/lamp assembly upside down to access the filter. See Figure 30.



**Figure 30. Accessing Filter**

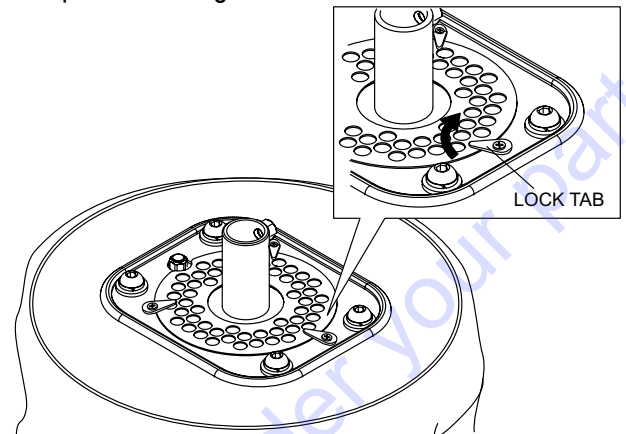
3. Turn the three locking tabs outwards to release the air plate. See Figure 30.
4. Remove the air plate and filter. See Figure 31.



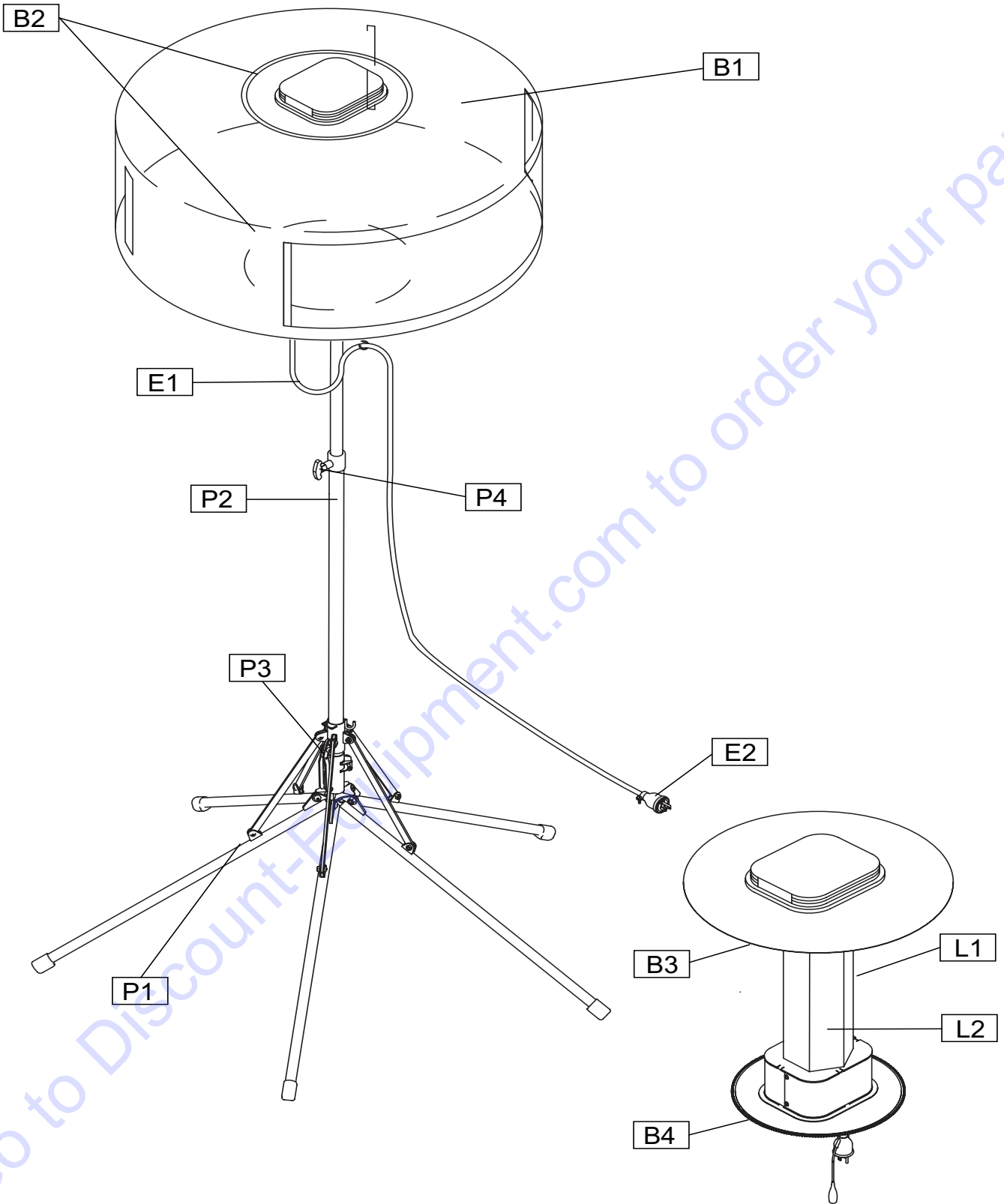
**Figure 31. Filter Removal**

5. Install a new filter and reinstall the air plate.

6. Turn the three locking tabs inwards to lock the air plate in place. See Figure 32.



**Figure 32. Locking Air Plate**



**Figure 33. Maintenance Check Points**

## MAINTENANCE

For a prolonged life cycle an extended quality follow the recommended GloBug lighting system service guidelines as referenced in Figure 33 and Table 3.

<b>Table 3. Periodic Check and Maintenance</b>					
<b>Figure</b>		<b>Part</b>	<b>Check Item</b>	<b>Solution</b>	<b>Symbol</b>
Lamp	L1	Lamp Guard	Dirty, rusty or damaged?	Clean/Replace	◇
	L2	LED Lamp	Defective or broken?	Replace	❖
Balloon	B1	Balloon (Envelope)	Ripped or dirty?	Replace	❖
	B2	Zipper	Broken?	Replace	❖
	B3	Fan Motor (Blower)	Not working properly?	Replace	■
	B4	T-Handle bolt (Balloon)	Broken?	Replace	❖
Electric	E1	Power Cable	Defective or worn cable?	Replace.	❖
	E2	Plug	Damaged?	Replace	◆
Pentapod	P1	Pentapod	Damaged or not working properly?	Replace	◆
	P2	Mast	Damaged or not working properly?	Replace	◆
	P3	Hook	Damaged?	Replace	❖
	P4	T-Handle Knob (Mast)	Damaged?	Replace	❖
❖ - Daily Check    ◆ - Every 20 Hours    ■ - Every 100 Hours    ◇ - Every 500 Hours					

# WIRING DIAGRAM

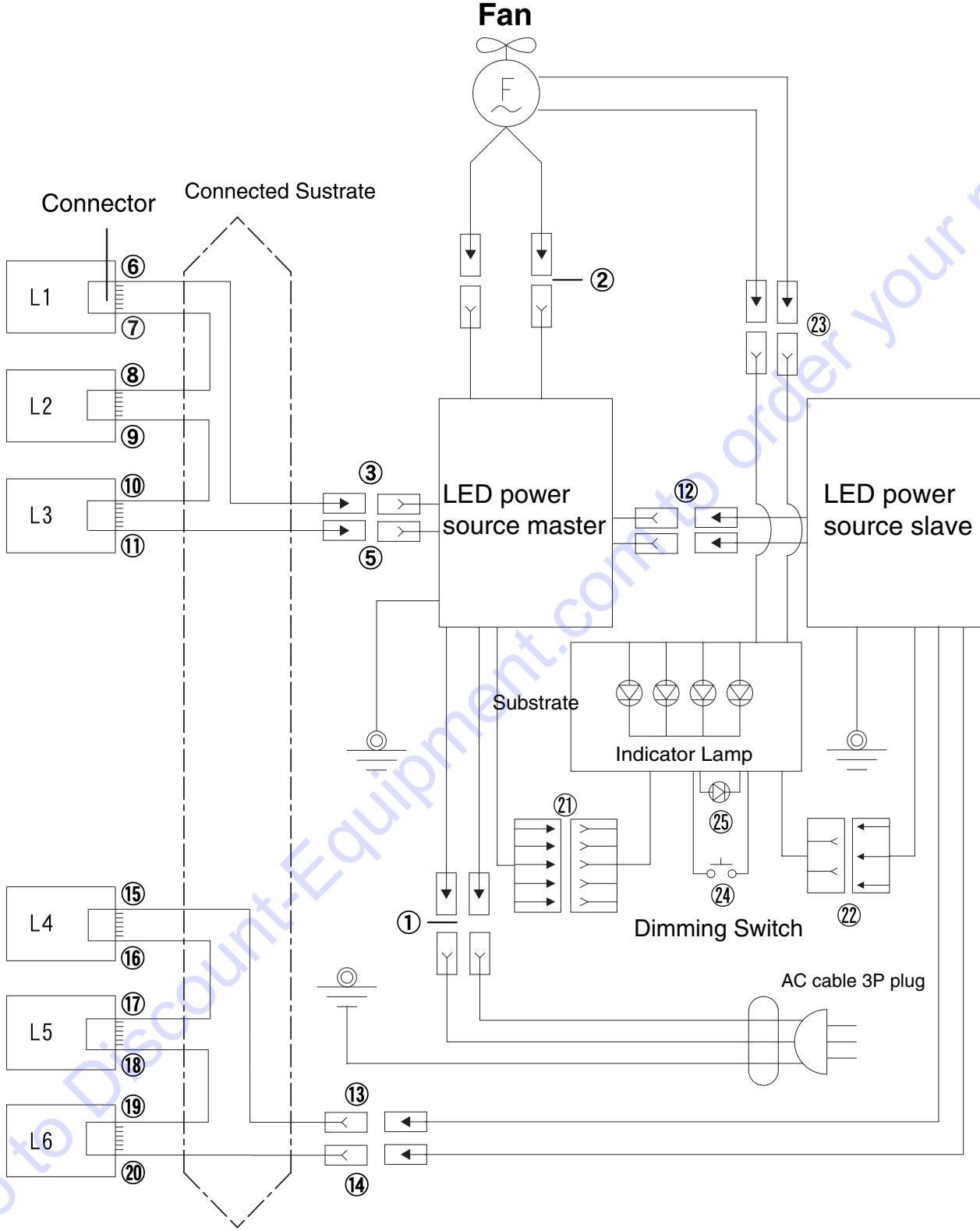
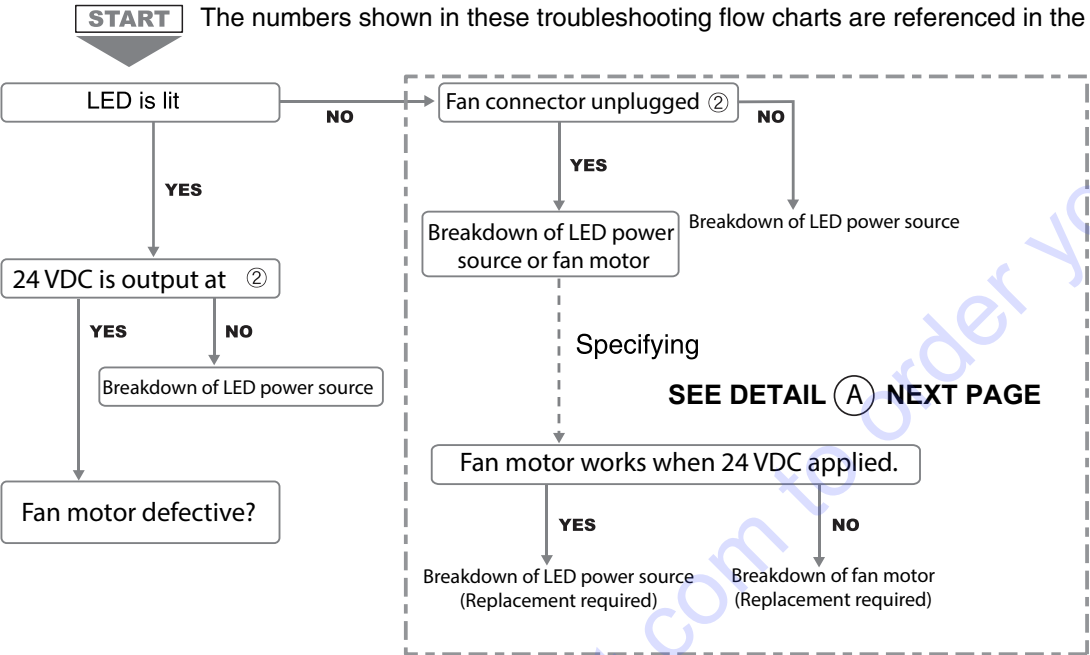


Figure 34. Electrical Wiring Diagram

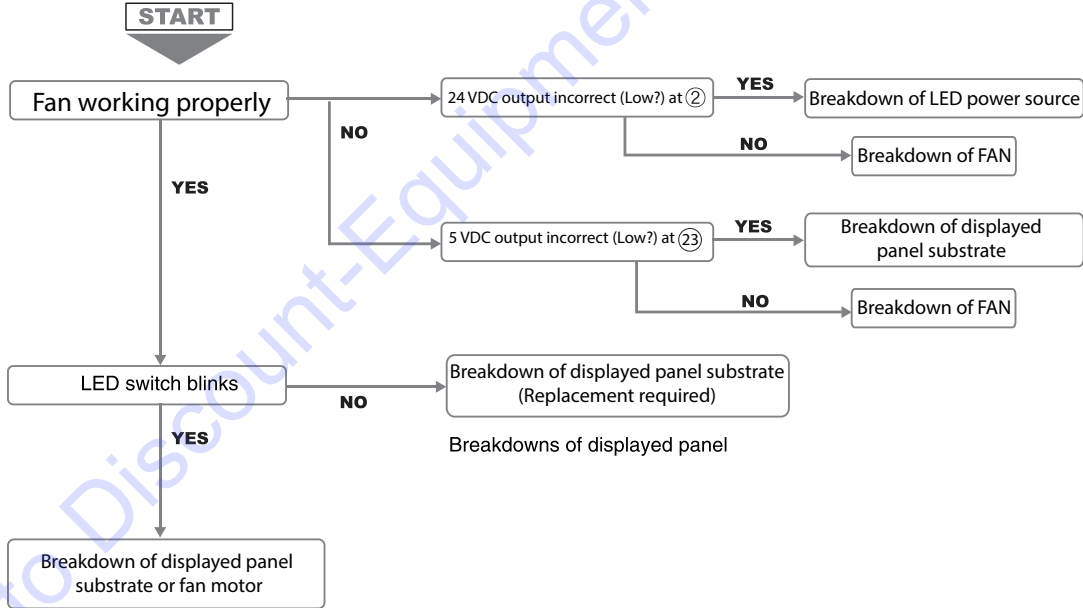


**Fan's Performance Impairment**

Fan is not working



Silent mode not working?





## Insufficient Air Inside Balloon

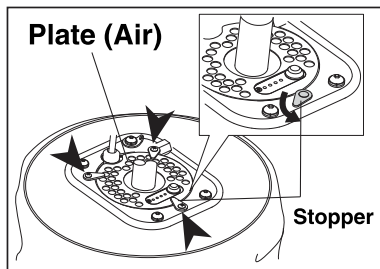
© Confirm the fan is working properly.

### Balloon is not bulged.

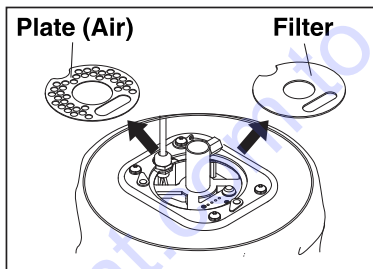
- 1 Zipper is opened → Close the zipper properly.
- 2 Balloon cloth is torn. → Repairing or exchanging the balloon cloth
- 3 The filter is clogged up → Cleaning up or exchanging the filter.
- 4 Silent mode → Holding down on switch to set up the normal mode.

### How to clean up the filter.

#### ■ Remove the filter.

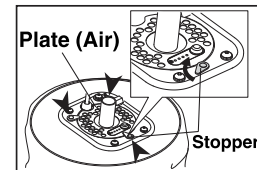


Use three stoppers to hold the plate.



Remove the plate and filter.

#### When installing.



Install the plate and filter in reverse order of when removing them.

#### ■ Simple cleaning

- Beat the dust out of the filter.



- Use a vacuum cleaner to remove dust and debris.



#### ■ Washing

- Use neutral detergent.
- When you put the filter in the washing machine, please use the laundry net.
- After washing, please dry it adequately and replace it. If filter is not completely DRY it will not filter properly. In cold weather conditions it could become frozen replace it.

If any debris or substance is firmly attached to the filter replace it.

## TROUBLESHOOTING

Troubleshooting		
Symptom	Possible Problem	Solution
Lamp does not light.	Is power plug connected?	Plug in correctly.
	Is generator's main CB turned off?	Turn on CB.
	Are any wire cables disconnected?	Connect disconnected wire cable.
	Are any other electric appliances (other than light tower) plugged into power source?	Unplug all other appliances.
	Is generator voltage not normal (standby voltage - $120 \pm 5$ V)?	Use proper voltage.
Balloon is not inflating.	Is zipper unzipped?	Zip balloon completely.
	Is fan motor not properly operating?	Inspect and repair fan motor if necessary.
	Is balloon torn?	Repair balloon.
	Is unit in silent mode?	Cancel silent mode.

# EXPLANATION OF CODE IN REMARKS COLUMN

The following section explains the different symbols and remarks used in the Parts section of this manual. Use the help numbers found on the back page of the manual if there are any questions.

## NOTICE

The contents and part numbers listed in the parts section are subject to change **without notice**. Multiquip does not guarantee the availability of the parts listed.

## SAMPLE PARTS LIST

NO.	PART NO.	PART NAME	QTY.	REMARKS
1	12345	BOLT.....	1	INCLUDES ITEMS W/%
2%		WASHER, 1/4 IN.....		NOT SOLD SEPARATELY
2%	12347	WASHER, 3/8 IN....	1	MQ-45T ONLY
3	12348	HOSE .....	A/R	MAKE LOCALLY
4	12349	BEARING .....	1	S/N 2345B AND ABOVE

## NO. Column

**Unique Symbols** — All items with same unique symbol

(@, #, +, %, or >) in the number column belong to the same assembly or kit, which is indicated by a note in the “Remarks” column.

**Duplicate Item Numbers** — Duplicate numbers indicate multiple part numbers, which are in effect for the same general item, such as different size saw blade guards in use or a part that has been updated on newer versions of the same machine.

## NOTICE

When ordering a part that has more than one item number listed, check the remarks column for help in determining the proper part to order.

## PART NO. Column

**Numbers Used** — Part numbers can be indicated by a number, a blank entry, or TBD.

TBD (To Be Determined) is generally used to show a part that has not been assigned a formal part number at the time of publication.

A blank entry generally indicates that the item is not sold separately or is not sold by Multiquip. Other entries will be clarified in the “Remarks” Column.

## QTY. Column

**Numbers Used** — Item quantity can be indicated by a number, a blank entry, or A/R.

A/R (As Required) is generally used for hoses or other parts that are sold in bulk and cut to length.

A blank entry generally indicates that the item is not sold separately. Other entries will be clarified in the “Remarks” Column.

## REMARKS Column

Some of the most common notes found in the “Remarks” Column are listed below. Other additional notes needed to describe the item can also be shown.

**Assembly/Kit** — All items on the parts list with the same unique symbol will be included when this item is purchased.

Indicated by:

“INCLUDES ITEMS W/(unique symbol)”

**Serial Number Break** — Used to list an effective serial number range where a particular part is used.

Indicated by:

“S/N XXXXX AND BELOW”

“S/N XXXX AND ABOVE”

“S/N XXXX TO S/N XXX”

**Specific Model Number Use** — Indicates that the part is used only with the specific model number or model number variant listed. It can also be used to show a part is NOT used on a specific model or model number variant.

Indicated by:

“XXXXX ONLY”

“NOT USED ON XXXX”

**“Make/Obtain Locally”** — Indicates that the part can be purchased at any hardware shop or made out of available items. Examples include battery cables, shims, and certain washers and nuts.

**“Not Sold Separately”** — Indicates that an item cannot be purchased as a separate item and is either part of an assembly/kit that can be purchased, or is not available for sale through Multiquip.

## SUGGESTED SPARE PARTS

---

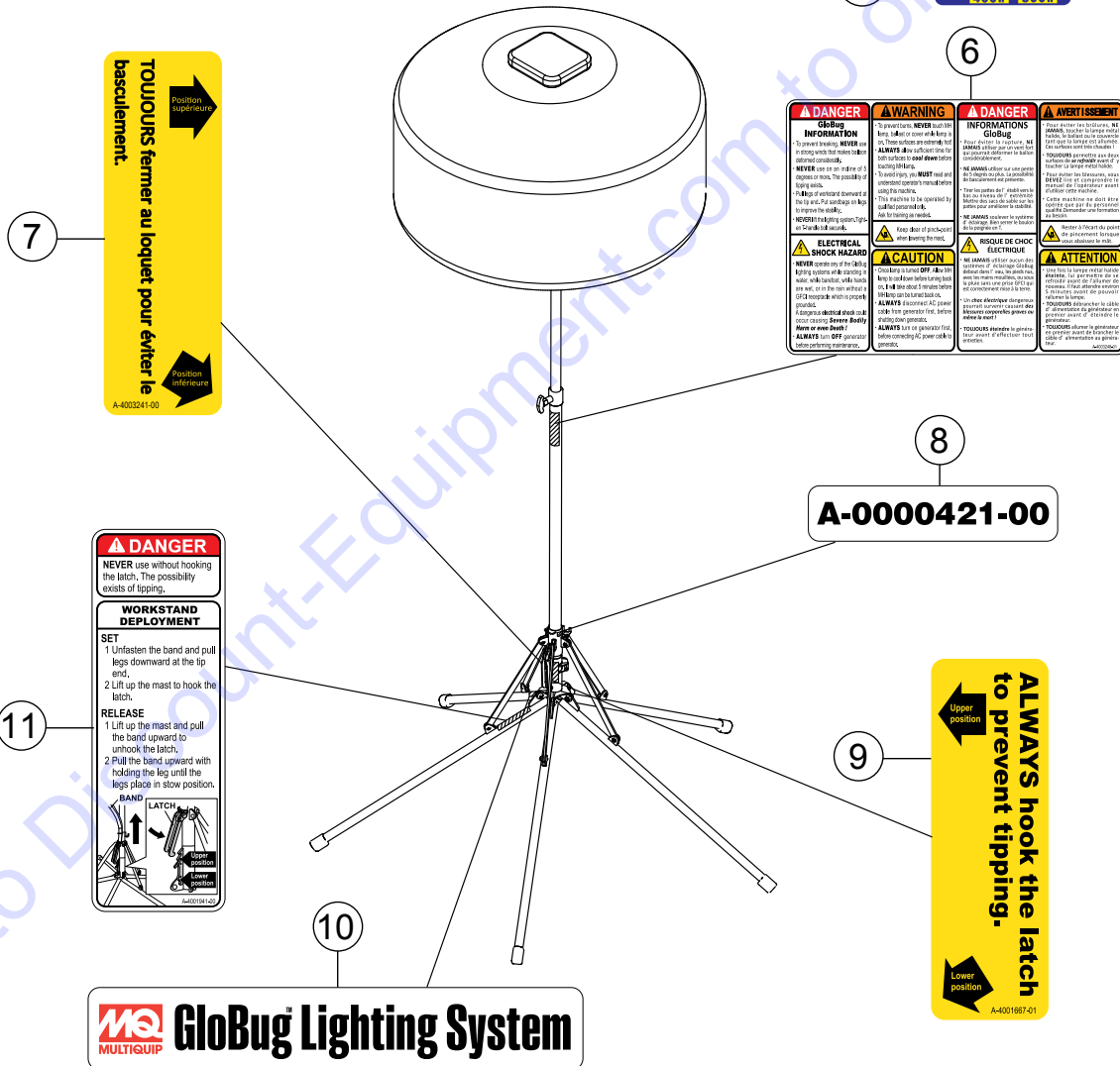
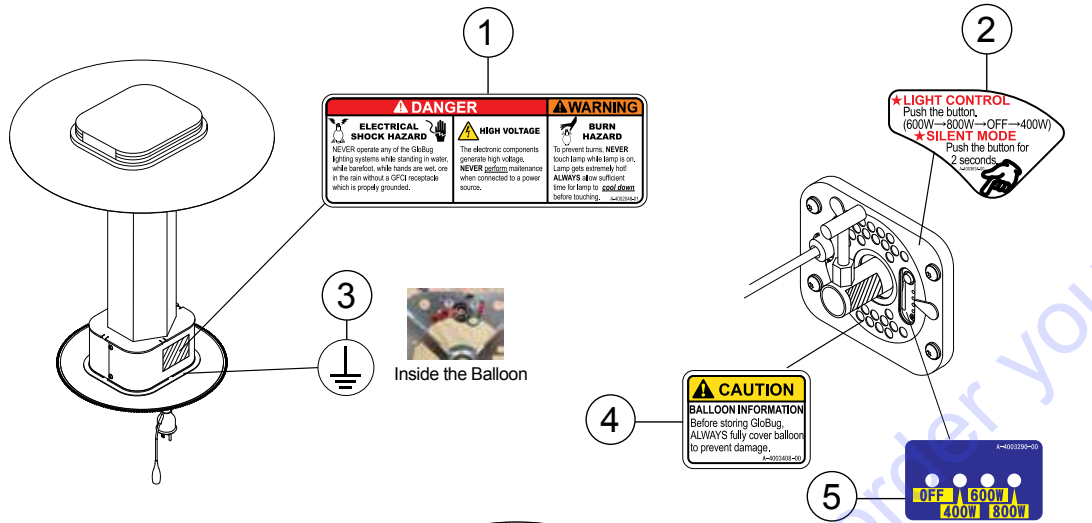
### GLOBUG GB8LED LIGHTING SYSTEM

#### 1 TO 3 UNITS

Qty.	P/N	Description
3.....	A300282600 .....	LED HEATSINK ASSY
2.....	A100108400 .....	BALLOON CLOTH

Go to Discount-Equipment.com to order your parts

# NAMEPLATE AND DECALS



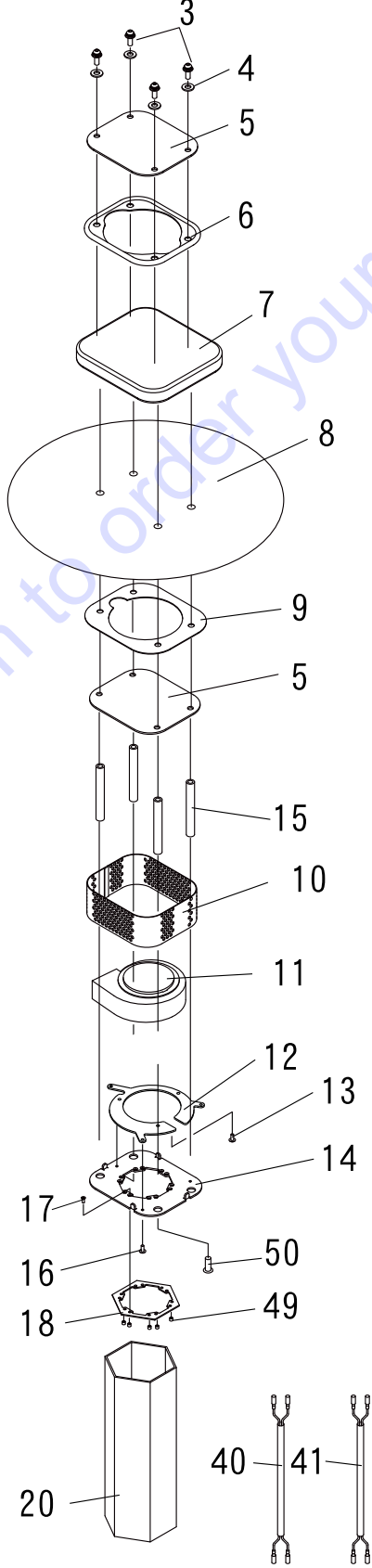
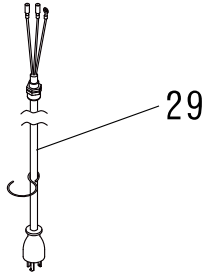
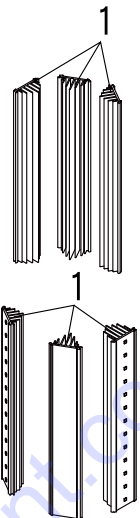
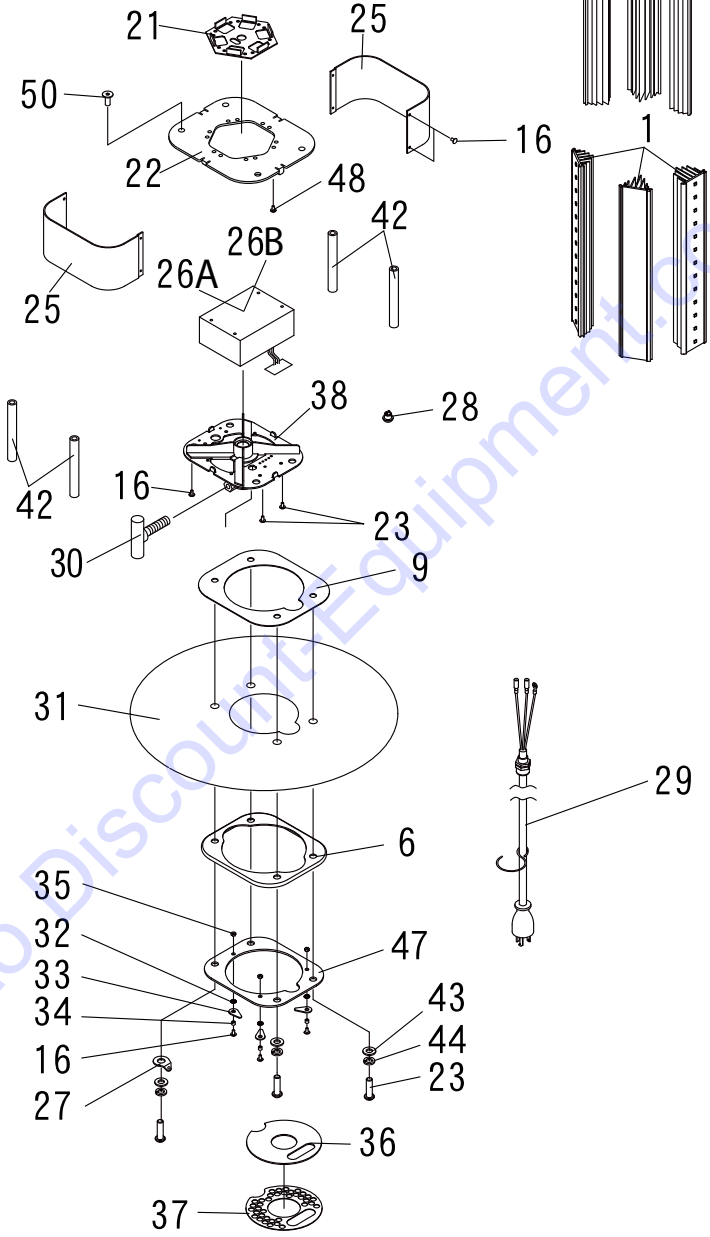
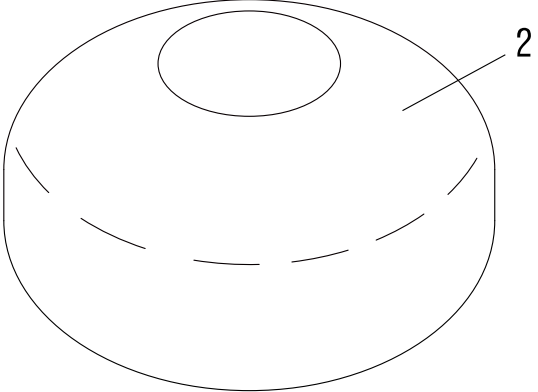
## NAMEPLATE AND DECALS

<u>NO.</u>	<u>PART NO.</u>	<u>PART NAME</u>	<u>QTY.</u>	<u>REMARKS</u>
1	A400204801	DECAL; ELECTRIC SHOCK, HIGH VOLTAGE, BURN HAZ.	1	
2	A400363400	DECAL; LIGHT CONTROL	1	
3	A400084300	DECAL; GROUND	1	
4	A400340800	DECAL; DANGER, BALLOON INFORMATION	1	
5	A400329000	DECAL; DIMMER SWITCH LEDS	1	
6	A400324801	DECAL; GLOBUG INFORMATION	1	
7	A400324100	DECAL: HOOK LATCH (FRENCH)	1	
8	A400207303	DECAL;NAME	1	
9	A400166701	DECAL; HOOK LATCH (ENGLISH)	1	
10	A400193300	DECAL; LOGO MQ-GLOBUG	1	
11	A400194100	DECAL; DANGER, WORKSTAND DEPLOYMENT	1	

Go to Discount-Equipment.com to order your parts



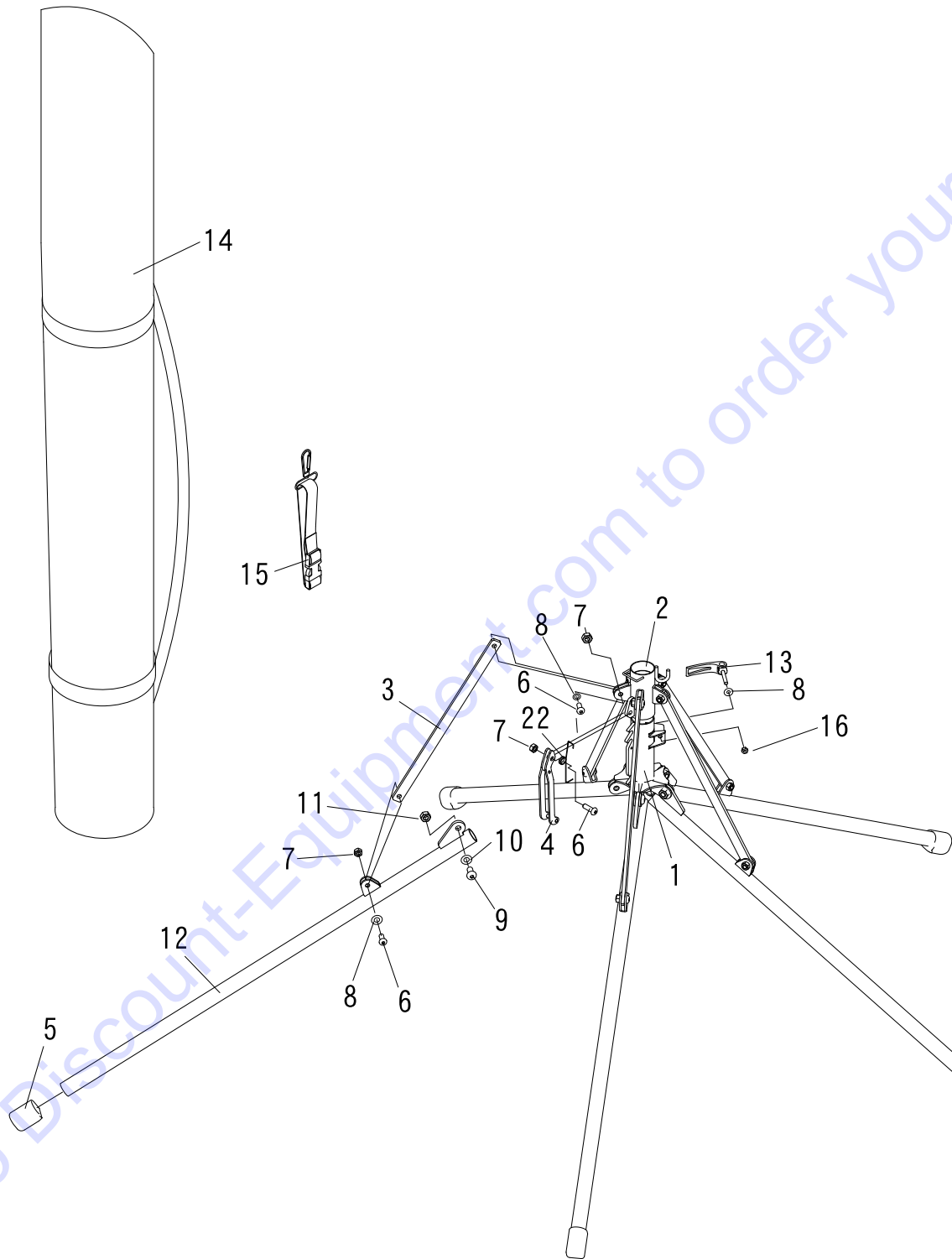
# ELECTRICAL ASSY.



## ELECTRICAL ASSY.

<u>NO.</u>	<u>PART NO.</u>	<u>PART NAME</u>	<u>QTY.</u>	<u>REMARKS</u>
1	A300282600	LED HEATSINK ASSY.	6	
2	A100108400	BALLOON, CLOTH	1	
3	0014708025	BUTTON SCREW, M8X25	4	
4	E000132100	SUS OPG BONDED WASHER	4	
5	A300257000	PLATE, TOP	2	
6	A300162400	SEAL, PACKING	2	
7	A100107700	BALLOON COVER (BLACK)	1	
8	A100101200	SHEET, TOP	1	
9	2214500230	SEAL, FLAT	2	
10	A300274701	VESSEL, TOP	1	
11	A300280600	FAN MOTOR ASSY.	1	
12	A300281401	PLATE, FAN	1	
13	0023204006	SCREW, M4X6	3	
14	A300247701	PLATE, LAMP, TOP	1	
15	A400317400	SPACER A	4	
16	0024304008	TRUSS SCREW, M4X8	15	
17	0023204012	COUNTERSUNK SCREW, M4X12	12	
18	A400295300	STOPPER, GUARD	1	
20	A300243602	GUARD, LED	1	
21	A300282500	ADAPTER BOARD	1	
22	A300290400	PLATE, LAMP	1	
23	0014708035	BUTTON SCREW, M8X35	4	
24	0023203005	SCREW, M3X5	2	
25	A300291200	COVER PLATE	2	
26A	A300269000	LED POWER SUPPLY (MASTER)	1	
26B	A300269100	LED POWER SUPPLY (SLAVE)	1	
27	2204510110	WASHER	1	
28	A400329900	DIMMING SWITCH	1	
29	A300181901	POWER CABLE	1	
30	A400209800	BALLOON KNOB (T-HANDLE)	1	
31	A100097600	SHEET, BOTTOM	1	
32	E000119300	WAVE WASHER, M6	3	
33	A400030700	STOPPER	3	
34	E000077500	SPACER	3	
35	0033104000	NUT, M4	5	
36	A400273800	FILTER	1	
37	A300244600	PLATE, AIR	1	
38	A200105100	FLANGE, LED	1	
40	A400305001	WIRE, FAN	1	
41	A400331100	WIRE, FAN (VC)	1	
42	A400311400	SPACER B	4	
43	0043108000	WASHER, M8	4	
44	030208200	WASHER, LOCK 8MM.....	4.....	REPLACES P/N 0043208000
47	A300256700	PLATE, BOTTOM	1	
48	0023304015	SCREW/WASHER, M4X15	12	
49	E000122300	SPACER	12	
50	E000119600	BOLT, M8X20	8	

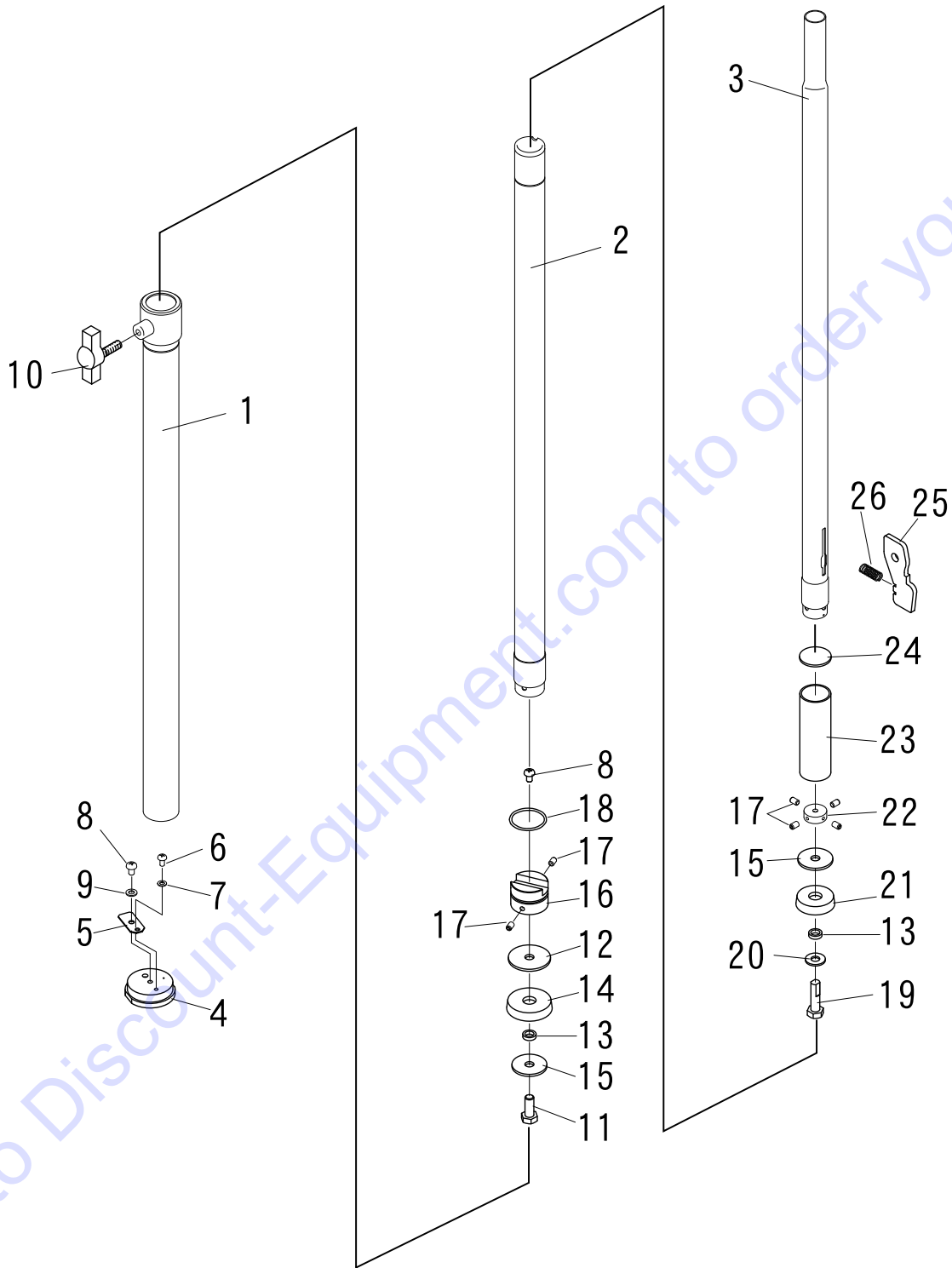
# PENTAPOD ASSY.



## PENTAPOD ASSY.

<u>NO.</u>	<u>PART NO.</u>	<u>PART NAME</u>	<u>QTY.</u>	<u>REMARKS</u>
1	A300180300	BASE PIPE 1	1	
2	A300178000	BASE PIPE 2	1	
3	A300113103	STAY	5	
4	A300108700	SHACKLE	1	
5	1641000330	RUBBER FOOT	5	
6	0014708025	BUTTON SCREW, M8X25	11	
7	0033208000	SELF LOCKNUT, M8	11	
8	0043108000	WASHER, M8	12	
9	0014710025	BUTTON SCREW, M10X25	5	
10	0043110000	WASHER, M10	5	
11	0033210000	SELFLOCK NUT, M10	5	
12	A300171601	PIPE, BASE	5	
13	2212780310	LEVER, CLAMP	1	
14	A300152700	PENTAPOD CARRYING CASE	1	
15	A300106500	BAND	1	
16	0033206000	SELF LOCKNUT, M6	1	
22	A400205901	SPRING, SHACKLE	1	

# MAST ASSY.



## MAST ASSY.

<u>NO.</u>	<u>PART NO.</u>	<u>PART NAME</u>	<u>QTY.</u>	<u>REMARKS</u>
1	A300175400	FIRST MAST	1	
2	A300175500	SECOND MAST	1	
3	A300175600	THIRD MAST	1	
4	A400199700	PLUG	1	
5	A400112700	LEAF VALVE	1	
6	0023104008	SCREW, M4X8	1	
7	0043104000	WASHER, M4	1	
8	0023105008	SCREW M5X8	2	
9	0043105000	WASHER, M5	1	
10	A400187601	KNOB, BLACK	1	
11	0013108020	BOLT, M8X20	1	
12	A400200500	WASHER	1	
13	A400110200	WASHER, FIRST MAST	2	
14	A400200700	RUBBER, MAST	1	
15	A400092801	WASHER, SECOND MAST	2	
16	A400200800	BOTTOM PLATE	1	
17	0024705008	SET SCREW, M5X8	6	
18	E000081200	O-RING	1	
19	A400202700	BOLT	1	
20	0043108000	WASHER, M8	1	
21	A400109600	RUBBER, MAST	1	
22	A400092402	BOTTOM PLATE	1	
23	A400200300	PIPE, LEVER	1	
24	A400321800	WASHER	1	
25	A400200201	LEVER, HOOK	1	
26	A400345900	SPRING, HOOK	1	

# PARTS FINDER

**Search Website  
by Part Number**



**Search Manual  
Library For Parts  
Manual & Lookup Part  
Numbers – Purchase  
or Request Quote**

**Search Manuals**

Enter your information to help us find the right parts manual for your machine.

\* Brand:

\* Model:

\* Serial:

\* Part Number:

SEARCH

**Can't Find Part or  
Manual? Request Help  
by Manufacturer,  
Model & Description**

**Parts Order Form**

Please fill in the following information to help us find the right part for your machine.

Manufacturer:	<input type="text"/>
Model:	<input type="text"/>
Description:	<input type="text"/>
Part Number:	<input type="text"/>
Quantity:	<input type="text"/>
Notes:	<input type="text"/>

Submit

Discount-Equipment.com is your online resource for quality parts & equipment.

Florida: **561-964-4949** Outside Florida TOLL FREE: **877-690-3101**

**Need parts?**

Click on this link: <http://www.discount-equipment.com/category/5443-parts/> and choose one of the options to help get the right parts and equipment you are looking for. Please have the machine model and serial number available in order to help us get you the correct parts. If you don't find the part on the website or on one of the online manuals, please fill out the request form and one of our experienced staff members will get back to you with a quote for the right part that your machine needs.

We sell worldwide for the brands: Genie, Terex, JLG, MultiQuip, Mikasa, Essick, Whiteman, Mayco, Toro Stone, Diamond Products, Generac Magnum, Airman, Haulotte, Barreto, Power Blanket, Nifty Lift, Atlas Copco, Chicago Pneumatic, Allmand, Miller Curber, Skyjack, Lull, Skytrak, Tsurumi, Husquvarna Target, Stow, Wacker, Sakai, Mi-T-M, Sullair, Basic, Dynapac, MBW, Weber, Bartell, Bennar Newman, Haulotte, Ditch Runner, Menegotti, Morrison, Contec, Buddy, Crown, Edco, Wyco, Bomag, Laymor, EZ Trench, Bil-Jax, F.S. Curtis, Gehl Pavers, Heli, Honda, ICS/PowerGrit, IHI, Partner, Imer, Clipper, MMD, Koshin, Rice, CH&E, General Equipment, Amida, Coleman, NAC, Gradall, Square Shooter, Kent, Stanley, Tamco, Toku, Hatz, Kohler, Robin, Wisconsin, Northrock, Oztec, Toker TK, Rol-Air, APT, Wylie, Ingersoll Rand / Doosan, Innovatech, Con X, Ammann, Mecalac, Makinex, Smith Surface Prep, Small Line, Wanco, Yanmar