

PARTS MANUAL



***WHITEMAN* SERIES**
MODEL HTXD6i
HYDRAULIC RIDE-ON TROWEL
(YANMAR 4TNV84T-Z-DSA2 DIESEL ENGINE)

Revision #8 (03/31/21)



THIS MANUAL MUST ACCOMPANY THE EQUIPMENT AT ALL TIMES.

PN: 32070

PARTS FINDER

**Search Website
by Part Number**



**Search Manual
Library For Parts
Manual & Lookup Part
Numbers – Purchase
or Request Quote**

Search Manuals

Enter your information to help us find the right parts manual for your equipment.

* Brand:

* Model:

* Serial:

* Part Number:

SEARCH

**Can't Find Part or
Manual? Request Help
by Manufacturer,
Model & Description**

Parts Order Form

Please fill in the following information to help us find the right part for your equipment.

Manufacturer:	<input type="text"/>
Model:	<input type="text"/>
Description:	<input type="text"/>
Part Number:	<input type="text"/>
Quantity:	<input type="text"/>
Notes:	<input type="text"/>

Submit

Discount-Equipment.com is your online resource for quality parts & equipment.

Florida: **561-964-4949** Outside Florida TOLL FREE: **877-690-3101**

Need parts?

Click on this link: <http://www.discount-equipment.com/category/5443-parts/> and choose one of the options to help get the right parts and equipment you are looking for. Please have the machine model and serial number available in order to help us get you the correct parts. If you don't find the part on the website or on one of the online manuals, please fill out the request form and one of our experienced staff members will get back to you with a quote for the right part that your machine needs.

We sell worldwide for the brands: Genie, Terex, JLG, MultiQuip, Mikasa, Essick, Whiteman, Mayco, Toro Stone, Diamond Products, Generac Magnum, Airman, Haulotte, Barreto, Power Blanket, Nifty Lift, Atlas Copco, Chicago Pneumatic, Allmand, Miller Curber, Skyjack, Lull, Skytrak, Tsurumi, Husquvarna Target, Stow, Wacker, Sakai, Mi-T-M, Sullair, Basic, Dynapac, MBW, Weber, Bartell, Bennar Newman, Haulotte, Ditch Runner, Menegotti, Morrison, Contec, Buddy, Crown, Edco, Wyco, Bomag, Laymor, EZ Trench, Bil-Jax, F.S. Curtis, Gehl Pavers, Heli, Honda, ICS/PowerGrit, IHI, Partner, Imer, Clipper, MMD, Koshin, Rice, CH&E, General Equipment, Amida, Coleman, NAC, Gradall, Square Shooter, Kent, Stanley, Tamco, Toku, Hatz, Kohler, Robin, Wisconsin, Northrock, Oztec, Toker TK, Rol-Air, APT, Wylie, Ingersoll Rand / Doosan, Innovatech, Con X, Ammann, Mecalac, Makinex, Smith Surface Prep, Small Line, Wanco, Yanmar

TABLE OF CONTENTS

HTXD6i Ride-On Trowel

Table of Contents.....	2
Explanation of Code in Remarks Column.....	4
Suggested Spare Parts	5

Component Drawings

Nameplate and Decals Assembly.....	6-7
Frame Assembly.....	8-9
Light Assembly	10-11
Front and Side Guard Assembly.....	12-13
Left Front Panel Assembly.....	14-15
Right Front Panel Assembly	16-17
Rear Panel Assembly	18-19
Platform Assembly.....	20-21
Seat Frame Assembly	22-23
Indicators - Switches - Meter Assembly	24-25
Controller Assembly	26-27
Relays - Fuses Assembly	28-29
Pivot Assembly.....	30-31
Hydraulic Steering Assembly.....	32-33
Hydraulic Cylinder Assembly.....	34-35
Hydraulic Cooler Assembly	36-37
Pump Assembly Complete	38-39
Pump Mounting Bracket Assembly.....	40-41
Pump Fittings Assembly	42-43
Pump Levers Assembly.....	44-45
Pump Stroker Mount Assembly	46-47

Hydraulic Hose Kit Assembly Complete	48-49
Hyd. Hose Assy. (Pitch Block Ports P0-P1)	50-51
Hyd. Hose Assy. (Pitch Block Ports C1-C4).....	52-53
Hyd. Hose Assy. (LH-RH Steering Valves #1)..	54-55
Hyd. Hose Assy. (LH-RH Steering Valves #2)..	56-57
Hyd. Hose Assy. (P. Block Ports SP-T3/Hyd. Motor)...	58-59
Hyd. Assy. (Burp Tank/Suction Filter/Valves) ...	60-61
Hyd. Hose Assy. (Pitch Block/Cooler/Pump)....	62-63
Pitch Block Assembly (Fittings)	64-65
Pitch Block Assembly (Valves)	66-67
Hydraulic Test Port Hoses Assembly.....	68-69
Burp Tank Assembly	70-71
Suction Filter Assembly	72-73
Test Port Assembly	74-75
Left-Hand Valve Assembly.....	76-77
Right-Hand Valve Assembly	78-79
Stabilizer Assembly	80-81
6-Blade Spider Assembly (Left-Side)	82-83
6-Blade Spider Assembly (Right-Side)	84-85
Spray Assembly.....	86-87
Engine Mounting Assembly	88-89
Engine Components and Radiator Assembly..	90-91
Air Cleaner and Exhaust Assembly	92-93
Water Pump, Fan, V-Belt Assembly	94-95
Fuel System Assembly	96-97
Battery Assembly.....	98-99
Radiator Mounting Hardware Assembly	100-101
Harness Assembly.....	102-103

NOTICE

Specifications and part numbers are subject to change without notice.

EXPLANATION OF CODE IN REMARKS COLUMN

The following section explains the different symbols and remarks used in the Parts section of this manual. Use the help numbers found on the back page of the manual if there are any questions.

NOTICE

The contents and part numbers listed in the parts section are subject to change **without notice**. Multiquip does not guarantee the availability of the parts listed.

SAMPLE PARTS LIST

NO.	PART NO.	PART NAME	QTY.	REMARKS
1	12345	BOLT	1	INCLUDES ITEMS W/%
2%		WASHER, 1/4 IN.		NOT SOLD SEPARATELY
2%	12347	WASHER, 3/8 IN. ...	1	MQ-45T ONLY
3	12348	HOSE	A/R	MAKE LOCALLY
4	12349	BEARING	1	S/N 2345B AND ABOVE

NO. Column

Unique Symbols — All items with same unique symbol (@, #, +, %, or >) in the number column belong to the same assembly or kit, which is indicated by a note in the “Remarks” column.

Duplicate Item Numbers — Duplicate numbers indicate multiple part numbers, which are in effect for the same general item, such as different size saw blade guards in use or a part that has been updated on newer versions of the same machine.

NOTICE

When ordering a part that has more than one item number listed, check the remarks column for help in determining the proper part to order.

PART NO. Column

Numbers Used — Part numbers can be indicated by a number, a blank entry, or TBD.

TBD (To Be Determined) is generally used to show a part that has not been assigned a formal part number at the time of publication.

A blank entry generally indicates that the item is not sold separately or is not sold by Multiquip. Other entries will be clarified in the “Remarks” Column.

QTY. Column

Numbers Used — Item quantity can be indicated by a number, a blank entry, or A/R.

A/R (As Required) is generally used for hoses or other parts that are sold in bulk and cut to length.

A blank entry generally indicates that the item is not sold separately. Other entries will be clarified in the “Remarks” Column.

REMARKS Column

Some of the most common notes found in the “Remarks” Column are listed below. Other additional notes needed to describe the item can also be shown.

Assembly/Kit — All items on the parts list with the same unique symbol will be included when this item is purchased.

Indicated by:

“INCLUDES ITEMS W/(unique symbol)”

Serial Number Break — Used to list an effective serial number range where a particular part is used.

Indicated by:

“S/N XXXXX AND BELOW”

“S/N XXXX AND ABOVE”

“S/N XXXX TO S/N XXX”

Specific Model Number Use — Indicates that the part is used only with the specific model number or model number variant listed. It can also be used to show a part is NOT used on a specific model or model number variant.

Indicated by:

“XXXXX ONLY”

“NOT USED ON XXXX”

“Make/Obtain Locally” — Indicates that the part can be purchased at any hardware shop or made out of available items. Examples include battery cables, shims, and certain washers and nuts.

“Not Sold Separately” — Indicates that an item cannot be purchased as a separate item and is either part of an assembly/kit that can be purchased, or is not available for sale through Multiquip.

SUGGESTED SPARE PARTS

HTXD6I RIDE-ON TROWEL WITH YANMAR 4TNV84T-ZDSA2 ENGINE

1 to 3 units

Qty.....	P/N.....	Description
1.....	20674.....	GRAB HANDLE
1.....	12017.....	RELAY, KILL
1.....	21470.....	SWITCH, ON-OFF-ON PITCH CNTRL
1.....	22702.....	SWITCH, MOMENTARY W/GRN LED
1.....	22703.....	SWITCH, LKG, W/GRN LED, PITCH MODE
1.....	22212.....	LIGHT ASSY., LED INDICT RED
1.....	22213.....	LIGHT ASSY., LED INDICT YELLOW
1.....	22706.....	CONTROLLER, MC 050-20
1.....	22725-200.....	FUSE, 20 AMP J CASE
1.....	22725-600.....	FUSE, 60 AMP J CASE
4.....	23284-200.....	FUSE, 20 AMP ATC/ATO
1.....	23284-050.....	FUSE, .5 AMP ATC/ATO
1.....	23284-075.....	FUSE, 7.5 AMP ATC/ATO
1.....	20165.....	PALM HANDLE KIT
1.....	21631.....	BOOT, STEERING HANDLE
2.....	12548.....	PUMP, SPRAY
4.....	21597.....	BUMPER
2.....	21468.....	KNOB
2.....	22347.....	LIGHT
2.....	2829-1.....	ARM, TROWEL
4.....	11039.....	BUSHING
2.....	2143.....	SPRING, R.S.
2.....	9111.....	SPRING, L.S.
1.....	23341.....	SPIDER, SERVICE KIT
1.....	20939.....	THRUST COLLAR KIT
2.....	22371.....	FILTER, HYDRAULIC SUCTION

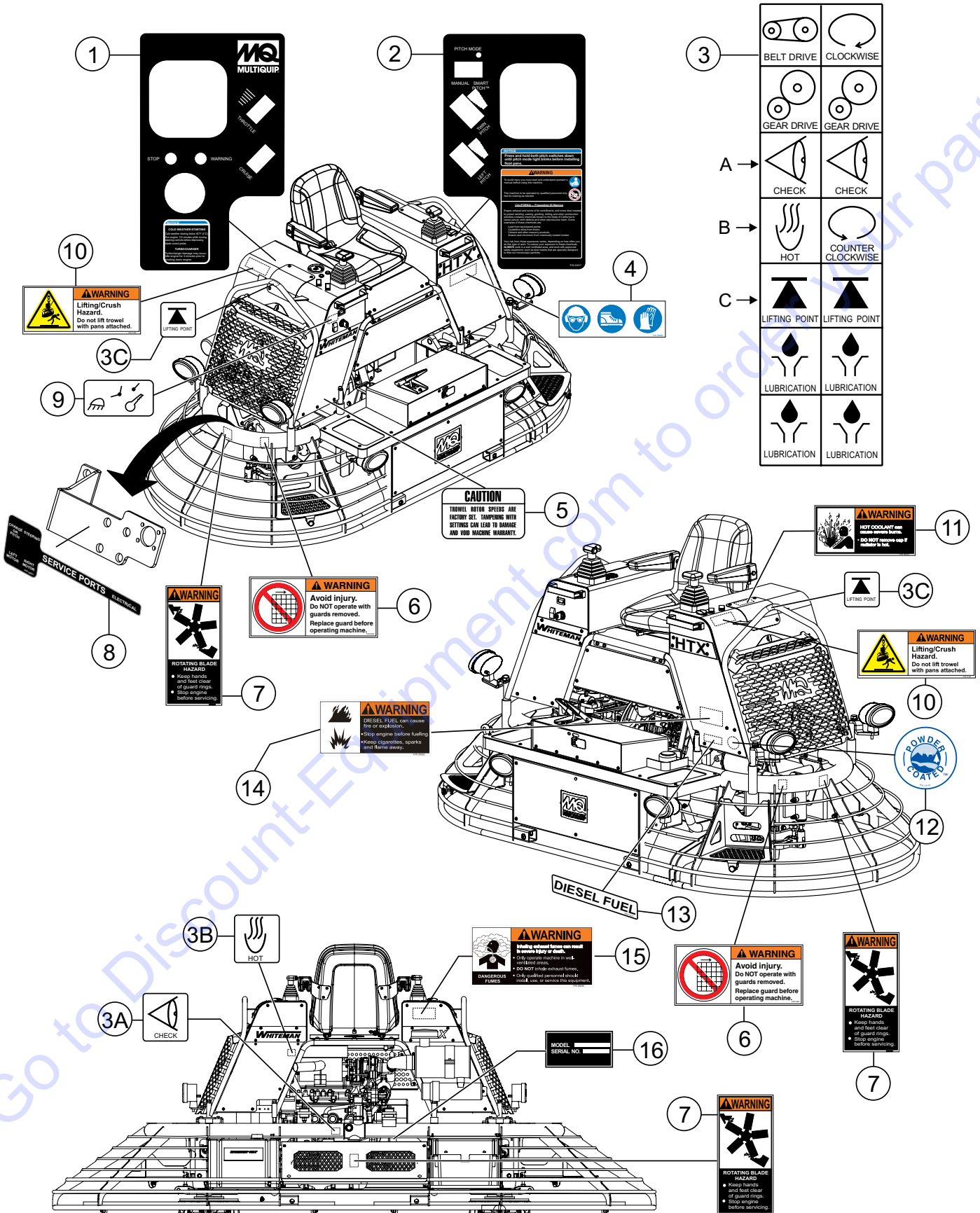
PARTS FOR YANMAR DIESEL ENGINE

3.....	11980255801.....	FUEL FILTER
2.....	12915035153.....	OIL FILTER
1.....	12924255730.....	ELEMENT, FUEL SEPARATOR
2.....	PMAF25436.....	ELEMENT, AIR CLEANER
2.....	12925842290.....	FAN BELT
1.....	406017.....	SWITCH, IGNITION W/KEY
2.....	406017-1.....	KEY, IGNITION
1.....	68900143.....	HOSE, RADIATOR LOWER
1.....	68900305.....	HOSE, RADIATOR UPPER
1.....	11976139450.....	SWITCH, OIL PRESSURE

NOTICE

Part numbers on this Suggested Spare Parts list may supersede/replace the part numbers shown in the following parts lists.

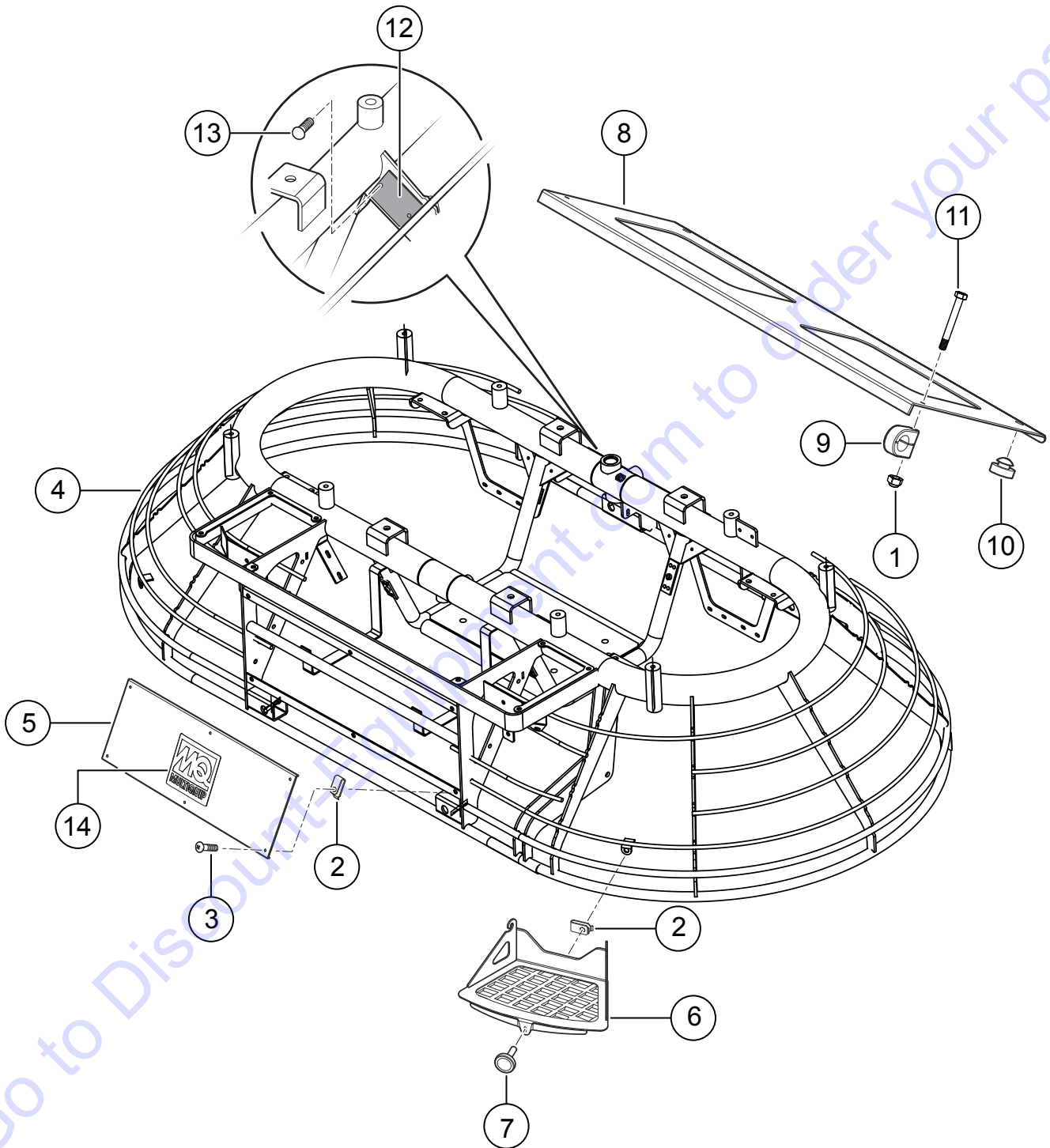
NAMEPLATE AND DECALS ASSY.



NAMEPLATE AND DECALS ASSY.

<u>NO.</u>	<u>PART NO.</u>	<u>PART NAME</u>	<u>QTY.</u>	<u>REMARKS</u>
1	22818	DECAL, RH CONSOLE OVERLAY	1	
2	22817	DECAL, LH CONSOLE OVERLAY	1	
3A	11246	DECAL, CHECK FLUID	1	
3B	11246	DECAL, HOT SURFACE	1	
3C	11246	DECAL, LIFT POINT	2	
4	36099	DECAL, PROTECTIVE CLOTHING	1	
5	20953	DECAL, WARNING, ROTOR SPEED SETTING		
6	21665	DECAL, REPLACE GUARDS 2.38" x 5.0"	2	
7	35168	DECAL, ROTATING BLADE HAZARD 2.0 x 4.3	2	
8	22827	DECAL, GAUGE PORT OVERLAY	1	
9	2814	DECAL, CONTROL PANEL, KEY, LIGHT	1	
10	21455	DECAL, LIFTING CRUSH HAZARD PANS	2	
11	36091	DECAL, HOT COOLANT 3.5 X 1.75	1	
12	13118	DECAL, POWDER COATED	1	
13	11811	DECAL, DIESEL FUEL 5.13" BLACK	1	
14	36092	DECAL, DIESEL FUEL 3.5 X 1.75	1	
15	36090	DECAL, VENTILATION 2X4"	1	
16		DECAL, SERIAL PLATE.....	1	..CONTACT DISCOUNT-EQUIPMENT.

FRAME ASSY.

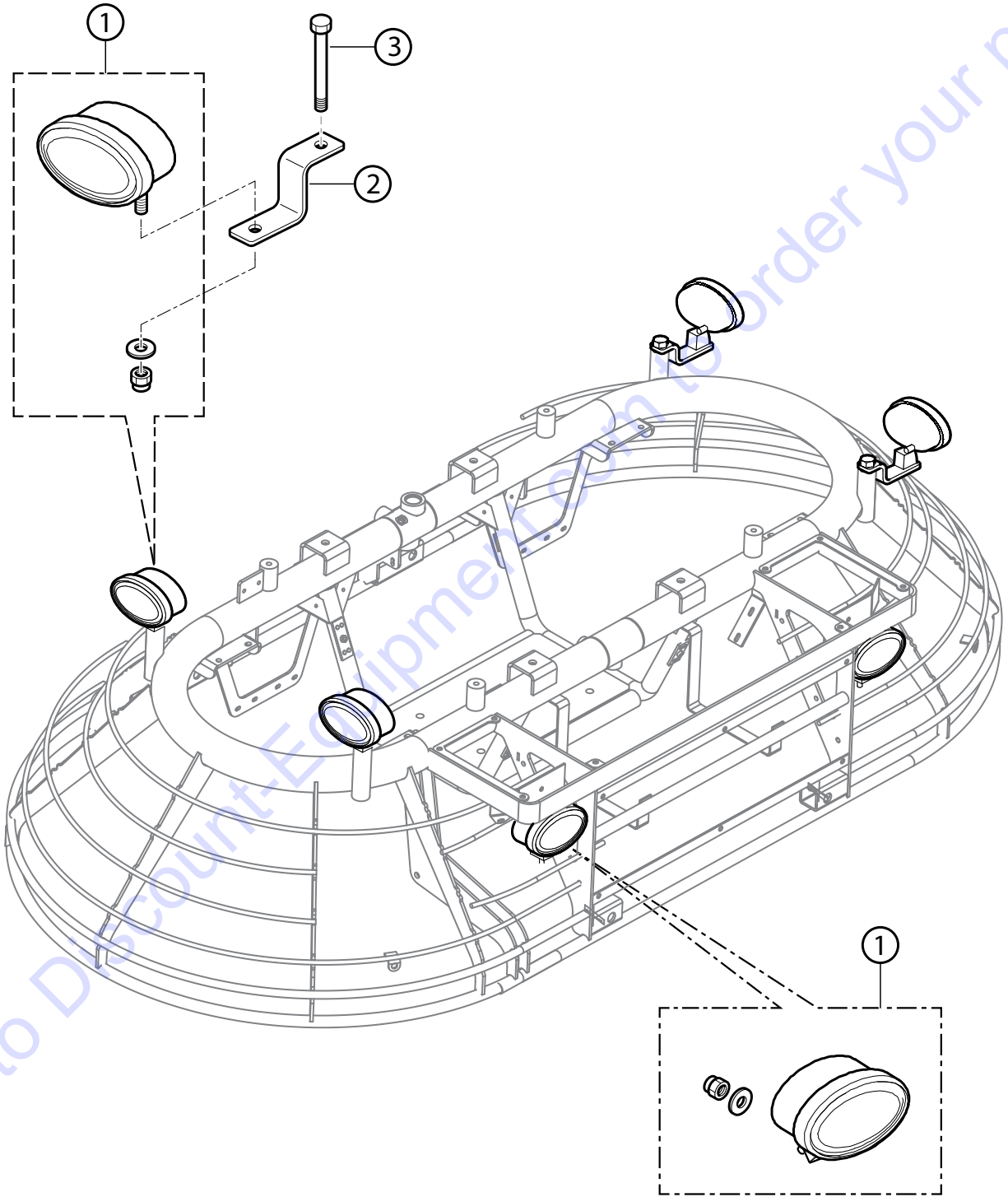


FRAME ASSY.

<u>NO.</u>	<u>PART NO.</u>	<u>PART NAME</u>	<u>QTY.</u>	<u>REMARKS</u>
1	10024	NUT, NYLOC 1/4-20	2	
2	11534	NUT U TYPE 1/4-20	12	
3	12287	SCREW, THP 1/4-20 X 3/4" SS	6	
4	22360	FRAME W/A HTXD6i	1	
5	20697	PANEL, ACCESS, FRONT.....	1.....	SAFETY ITEM
6	21374	STEP, W/A HTXD6i.....	2.....	SAFETY ITEM
7	21468	KNOB, PLASTIC 1/4-20 X 1" STUD	2	
8	21471	PANEL, ACCESS, REAR HTXD6i	1.....	SAFETY ITEM
9	21490	CLAMP, TUBE 18MM	2	
10	21597	BUMPER, STEM 1" DIA X .5" STEM X .31"TK	2	
11	26250	SCREW, HHC 1/4-20 X 1-3/4"	2	
12		DECAL, SERIAL PLATE	1.....	MUST ORDER FROM PARTS DEPT. WITH S/N
13	4014	SCREW, 2-3/16" P-K TYPE U-DRIVE	2	
14	23235	BADGE, FOOT PLATFORM, MQ	1	

Go to Discount-Equipment.com to order your parts

LIGHT ASSY.

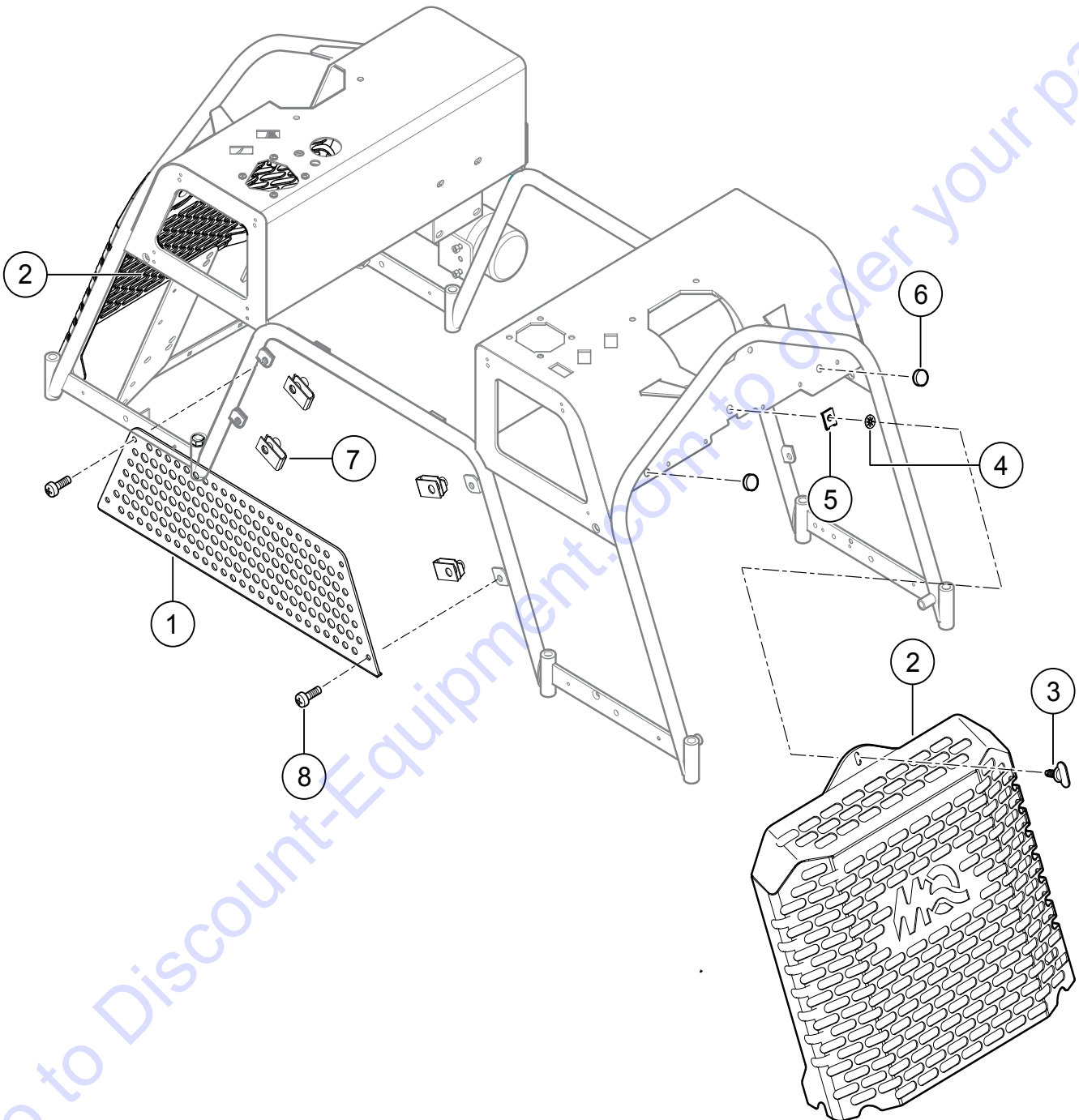


LIGHT ASSY.

<u>NO.</u>	<u>PART NO.</u>	<u>PART NAME</u>	<u>QTY.</u>	<u>REMARKS</u>
1	22347	LIGHT, HELLA 50W BOTTOM MOUNT	6	
2	22420	BRACKET,RIDER OP LIGHTS	4	
3	8087	SCREW, HHC 1/2-13 X 4"	8	

Go to Discount-Equipment.com to order your parts

FRONT AND SIDE GUARD ASSY.

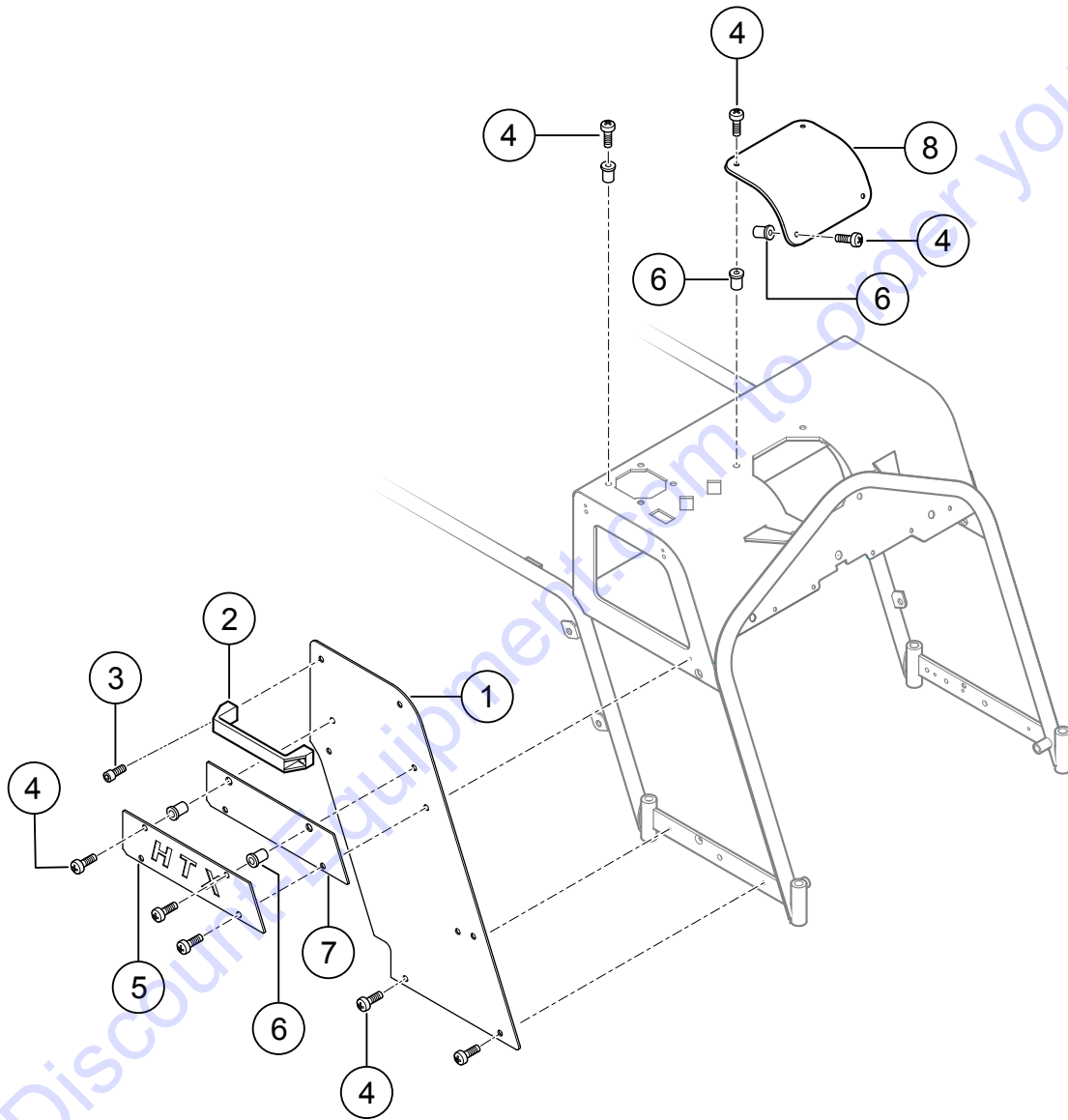


FRONT AND SIDE GUARD ASSY.

<u>NO.</u>	<u>PART NO.</u>	<u>PART NAME</u>	<u>QTY.</u>	<u>REMARKS</u>
1	32059	PANEL, SEATFRAME FRONT CENTER	1	
2	22367	GUARD, HYD RIDER	2	
3	21893	SCREW, FAST LEAD	2	
4	21986	WASHER, FAST LEAD-STAINLESS	2	
5	21894	CLIP, FAST LEAD	2	
6	21597	BUMPER, STEM, 1.0"D X .5"S X 31"	2	
7	11534	NUT, "U" TYPE, 1/4-20	4	
8	21575	SCREW, SHC 5/16-18 X 3/4"	4	

Go to Discount-Equipment.com to order your parts

LEFT FRONT PANEL ASSY.

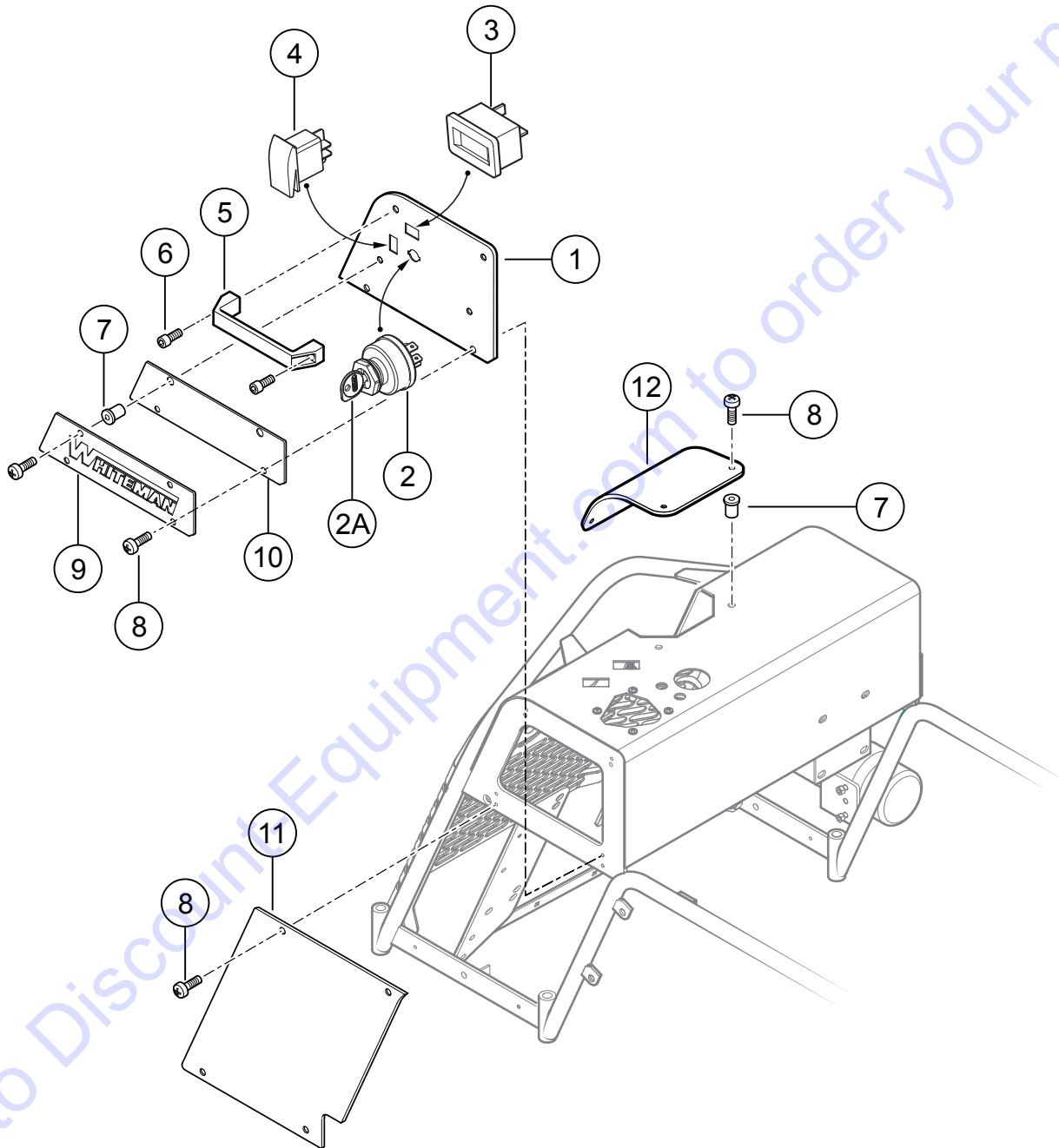


LEFT FRONT PANEL ASSY.

<u>NO.</u>	<u>PART NO.</u>	<u>PART NAME</u>	<u>QTY.</u>	<u>REMARKS</u>
1	20675	PANEL, SEATFRAME FRONT LEFT	1	
2	20674	HANDLE, GRAB	1	
3	21575	SCREW, SHC 5/16-18 X 3/4"	2	
4	12287	SCREW, THP 1/4-20 X 3/4" SS	AR	
5	32055	PANEL, SIDE TRIM "HTX"	1	
6	19266	NUT, BLIND 1/4-20 X .027-.165	AR	
7	32057	PLATE, TRIM BACKING B, HTX	1	
8	20693	PANEL, RADIATOR COVER	1	

Go to Discount-Equipment.com to order your parts

RIGHT FRONT PANEL ASSY.

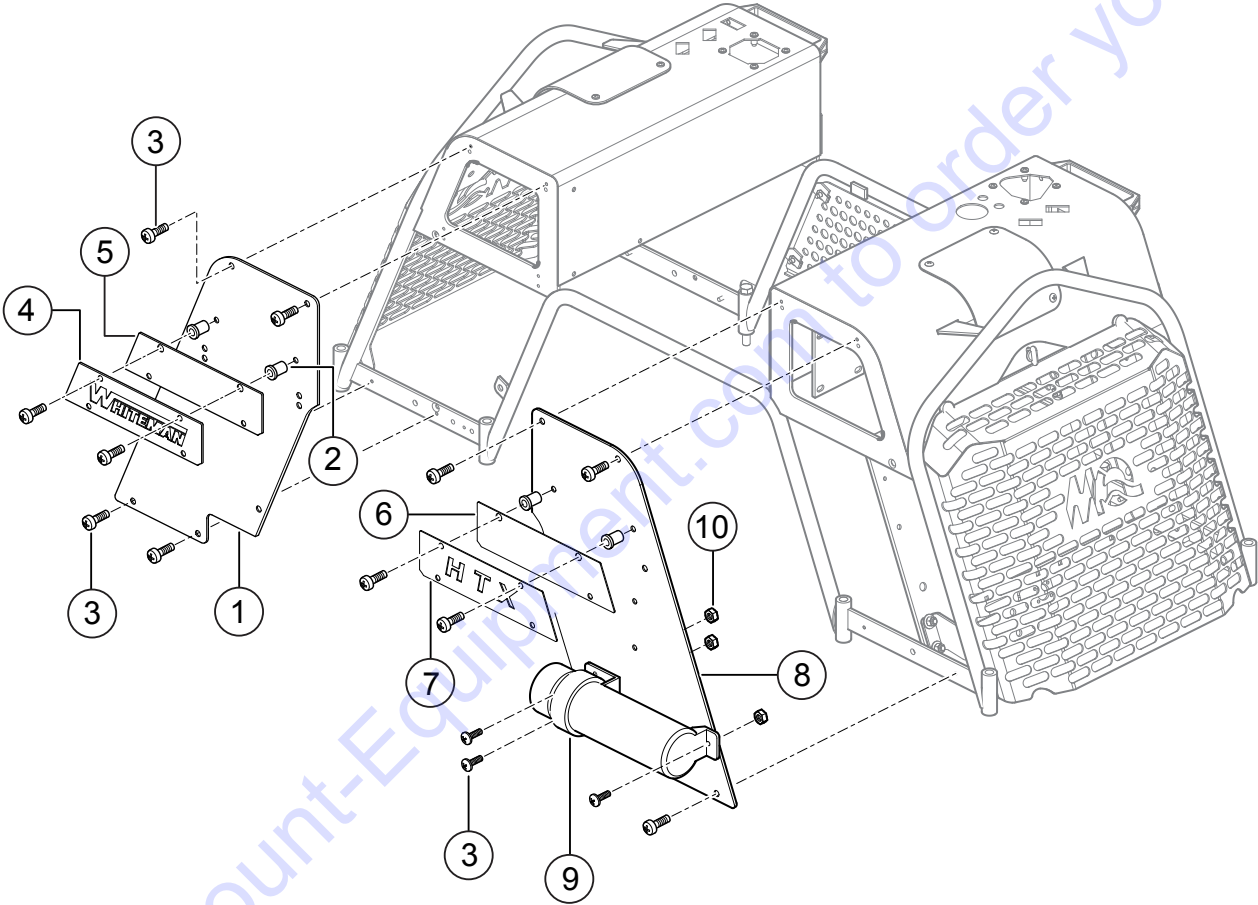


RIGHT FRONT PANEL ASSY.

<u>NO.</u>	<u>PART NO.</u>	<u>PART NAME</u>	<u>QTY.</u>	<u>REMARKS</u>
1	32058	PANEL, SEAT FRAME, UPPER FRONT RT	1	
2	406017	SWITCH, IGNITION, KEYED.....	1.....	INCLUDES ITEMS W/\$
2A\$	406017-1	KEY/ IGNITION SWITCH	1	
3	29640	HOUR METER, SENDER RECT FLUSH MT.	1	
4	406000	SWITCH, ROCKER	1	
5	20674	HANDLE, GRAB	1	
6	21575	SCREW, SHC 5/16-18 X 3/4"	2	
7	19266	NUT, BLIND 1/4-20 X .027-.165	AR	
8	12287	SCREW, THP 1/4-20 X 3/4" SS	AR	
9	32054	PANEL, SIDE TRIM "WHITEMAN"	1	
10	32056	PLATE, TRIM BACKING A,	1	
11	22781	PANEL, SEAT FRAME, FRT LOWER RIGHT	1	
12	20693	PANEL, RADIATOR COVER	1	

Go to Discount-Equipment.com to order your parts

REAR PANEL ASSY.

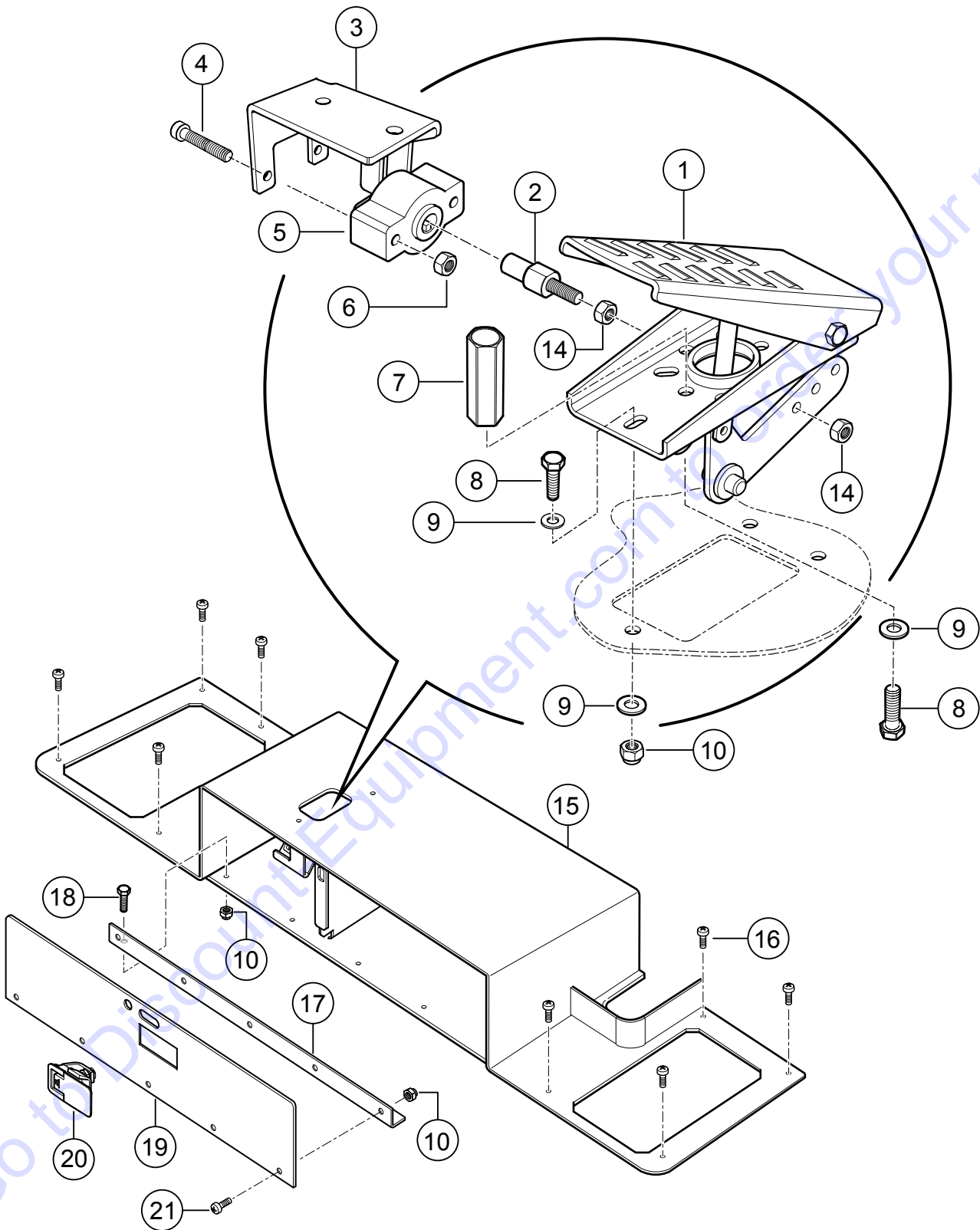


REAR PANEL ASSY.

<u>NO.</u>	<u>PART NO.</u>	<u>PART NAME</u>	<u>QTY.</u>	<u>REMARKS</u>
1	22729	PANEL, REAR, SEAT FRAME	1	
2	19266	NUT, BLIND 1/4-20 X .027-.165	AR	
3	12287	SCREW, THP 1/4-20 X 3/4" SS	AR	
4	32054	PANEL, SIDE TRIM "WHITEMAN"	1	
5	32056	PLATE, TRIM BACKING A,	1	
6	32057	PLATE, TRIM BACKING B,	1	
7	32055	PANEL, SIDE TRIM "HTX"	1	
8	22413	PANEL, SEATFRAME REAR RIGHT	1	
9	23297	MANUAL HOLDER, PICTOGRAPH	1	
10	10024	NUT, NYLOC 1/4-20	AR	

Go to Discount-Equipment.com to order your parts

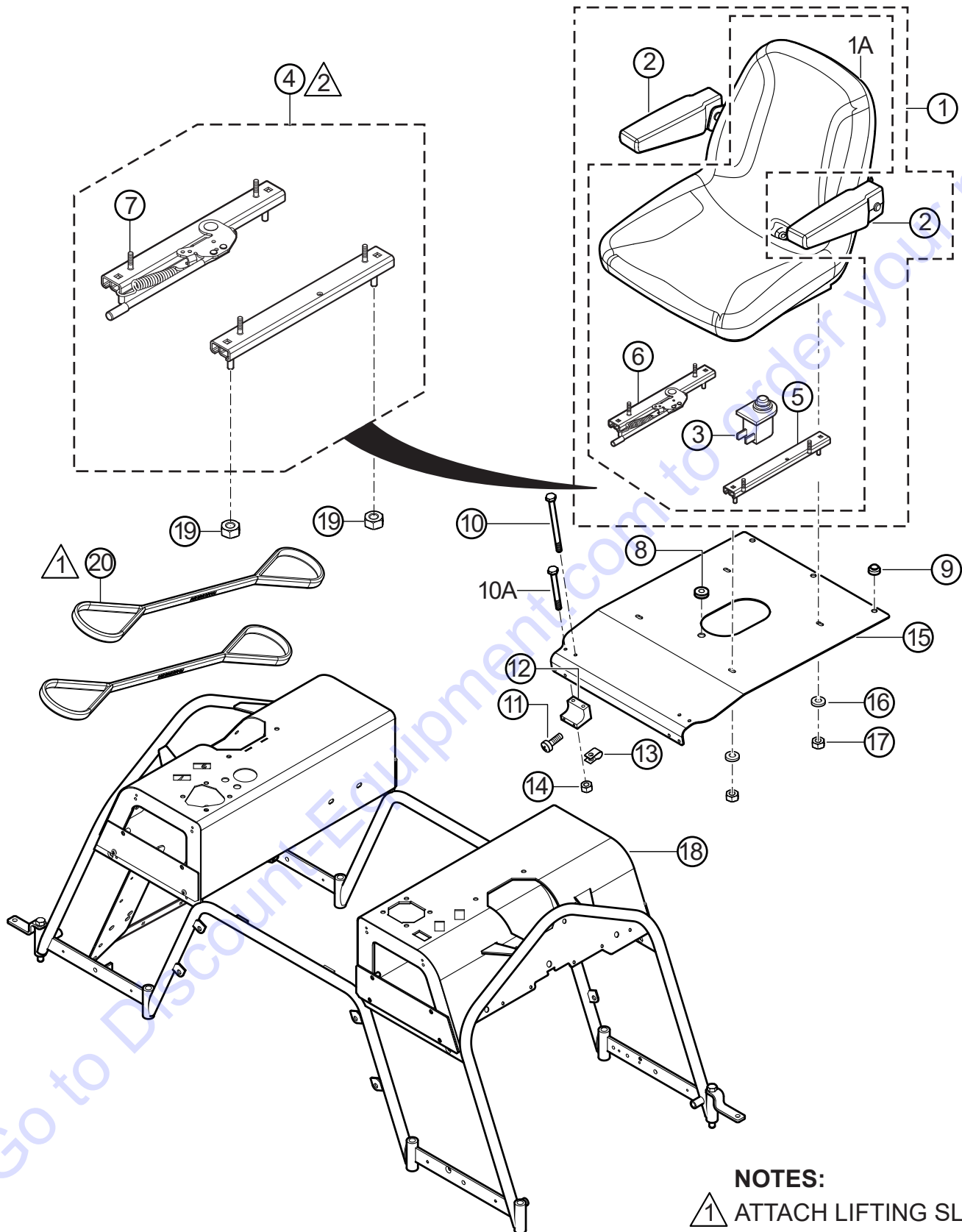
PLATFORM ASSY.



PLATFORM ASSY.

<u>NO.</u>	<u>PART NO.</u>	<u>PART NAME</u>	<u>QTY.</u>	<u>REMARKS</u>
1	22772	PEDAL, HYDRAULIC PUMP	1	
2	22764	SHAFT, FOOT PEDAL SENSOR	1	
3	22765	MOUNT, FOOT PEDAL SENSOR	1	
4	923199	SCREW, SHC 8/32 1-1/4"	2	
5	22710	SENSOR, FOOT PEDAL	1	
6	13287	NUT, NYLOC 8/32	2	
7	22883	STOP, FOOT PEDAL	1	
8	0730	SCREW, HHC 1/4-20 X 1"	4	
9	0948	WASHER, FLAT SAE 1/4	4	
10	10024	NUT, NYLOC 1/4-20	13	
14	6904	NUT, HEX FINISH 1/4-28 ZINC	2	
15	20720	PLATFORM, OPERATOR	1	
16	12287	SCREW, THF 1/4-20 X 3/4" SS	14	
17	20692	HINDGE, TOOLBOX ACCESS PANEL	1	
18	0131 A	SCREW, HHC 1/4-20 X 3/4"	5	
19	20698	DOOR, PLATFORM	1	
20	560020	LATCH, REAR SAW ACCESS PANEL	1	
21	21611	SCREW, THP 1/4-20 X 5/8" SS	5	

SEAT FRAME ASSY.



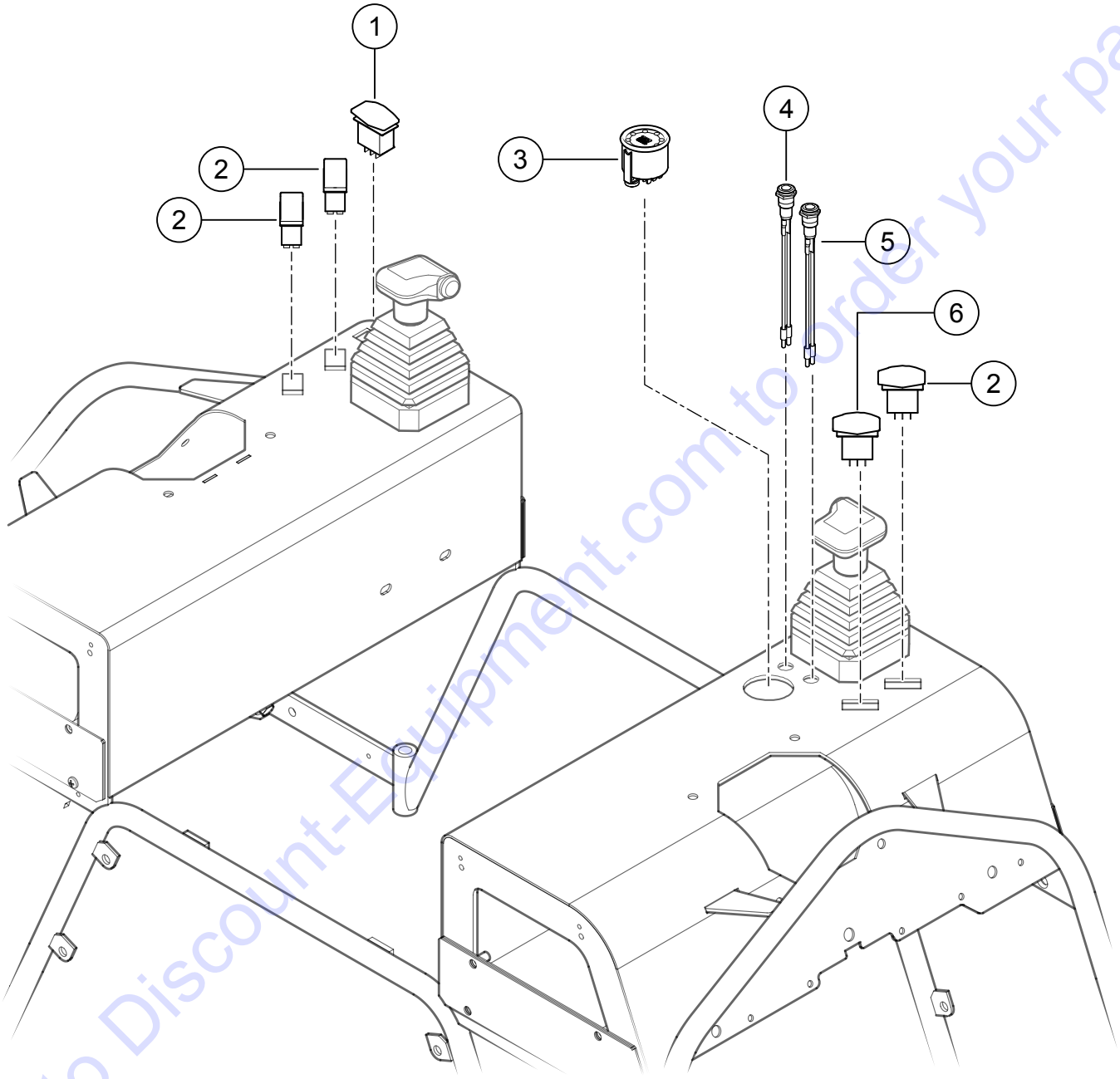
NOTES:

- ① ATTACH LIFTING SLING.
- ② MICHIGAN SEAT ONLY.

SEAT FRAME ASSY.

<u>NO.</u>	<u>PART NO.</u>	<u>PART NAME</u>	<u>QTY.</u>	<u>REMARKS</u>
1	21852-S	SEAT, MICHIGAN, ADJUSTABLE W/ ARMS.....1.....	1	INCLUDES ITEMS W/\$ NO LONGER AVAILABLE
1	32960-SK	SEAT, SEARS, ADJUSTABLE W/ ARMS.....1.....	1	INCLUDES ITEMS W/@
1A\$	21860	SEAT, MICHIGAN W/O ARMS.....1.....	1	NO LONGER AVAILABLE
1A@	32963-SK	SEAT, SEARS, ADJUSTABLE W/O ARMS.....1.....	1	INCLUDES ITEMS W/%
2\$	21868	ARM REST KIT, MICHIGAN	1	
2@	34792	ARM REST KIT, SEARS	1	
3\$	21870	KILL SWITCH, DELTA SYSTEMS	1	REPLACES P/N 32980
3@%	32962	KILL SWITCH, SEARS	1	
4\$	21865	SEAT ADJUSTER KIT, MICHIGAN	1	INCLUDES ITEMS W/#
5@%	32964	SEAT, ADJUSTER LH, SEARS	1	
6@%	32965	SEAT, ADJUSTER RH, SEARS	1	
7#	0400 B	SCREW, HHC 5/16-8 X 1/2"	4	
8	19468	GROMMET, 3/16 X 1/2" ID X 1-1/4" OD	1	
9	21597	BUMPER, STEM 1.0"D X .5"S X .31"	7	
10	4538	SCREW, HHC 1/4-20 X 2-1/2" GR 5	2	
10A	20909	SCREW, HHC 1/4-20 X 2"	2	
11	12287	SCREW, THP 1/4-20 X 3/4 SS	4	
12	20685	BLOCK, OPERATOR SEAT PIVOT	2	
13	8125	CLAMP, HOSE 5/8"	2	
14	10024	NUT, NYLOC 1/4-20	4	
15	22728	PLATFORM, OPERATOR SEAT VENTED	1	
16	0300 B	WASHER, FLAT SAE 5/16	4	
17	5283	NUT, NYLON 5/16-18	4	
18	22364	SEAT FRAME W/A	1	
19	49071	NUT, FLANGED, 5/16-18 SERRATED	4	
20	23165	SLING, LIFTING	2	

INDICATORS - SWITCHES - METER ASSY.



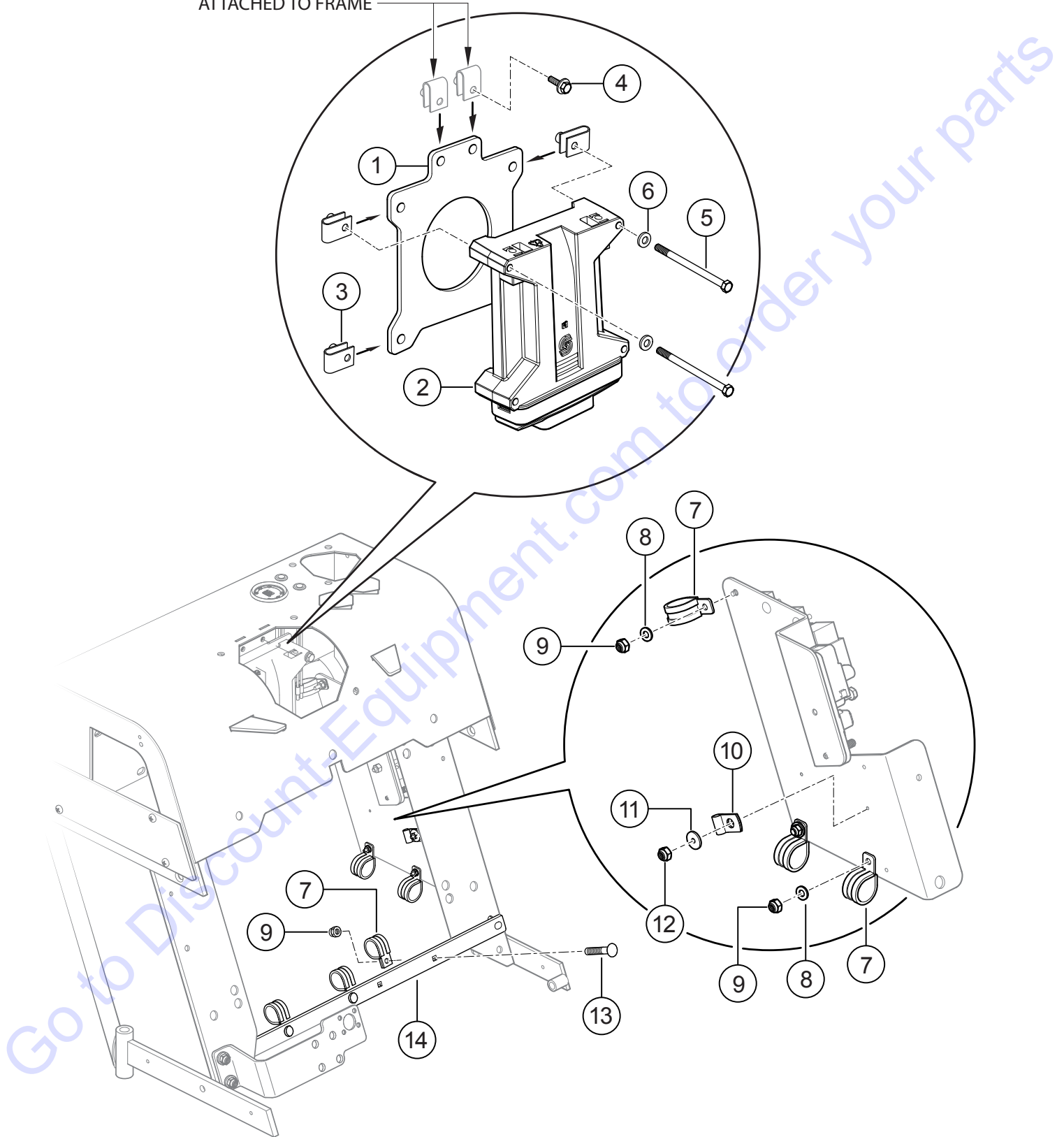
INDICATORS - SWITCHES - METER ASSY.

<u>NO.</u>	<u>PART NO.</u>	<u>PART NAME</u>	<u>QTY.</u>	<u>REMARKS</u>
1	22703	SWITCH, LKG,W/GREEN LED PITCH MODE	1	
2	21470	SWITCH, ON-OFF-ON PITCH CNTRL ONLY	3	
3	22408	GAUGE, MULTI-LOFA	1	
4	22212	LIGHT ASSY., LED INDICT RED 5/8 DIA	1	
5	22213	LIGHT ASSY., LED INDICT YELLOW 5/8 DIA	1	
6	22702	SWITCH, MOMENTARY W/GRN LED CRUISE	1	

Go to Discount-Equipment.com to order your parts

CONTROLLER ASSY.

ATTACHED TO FRAME

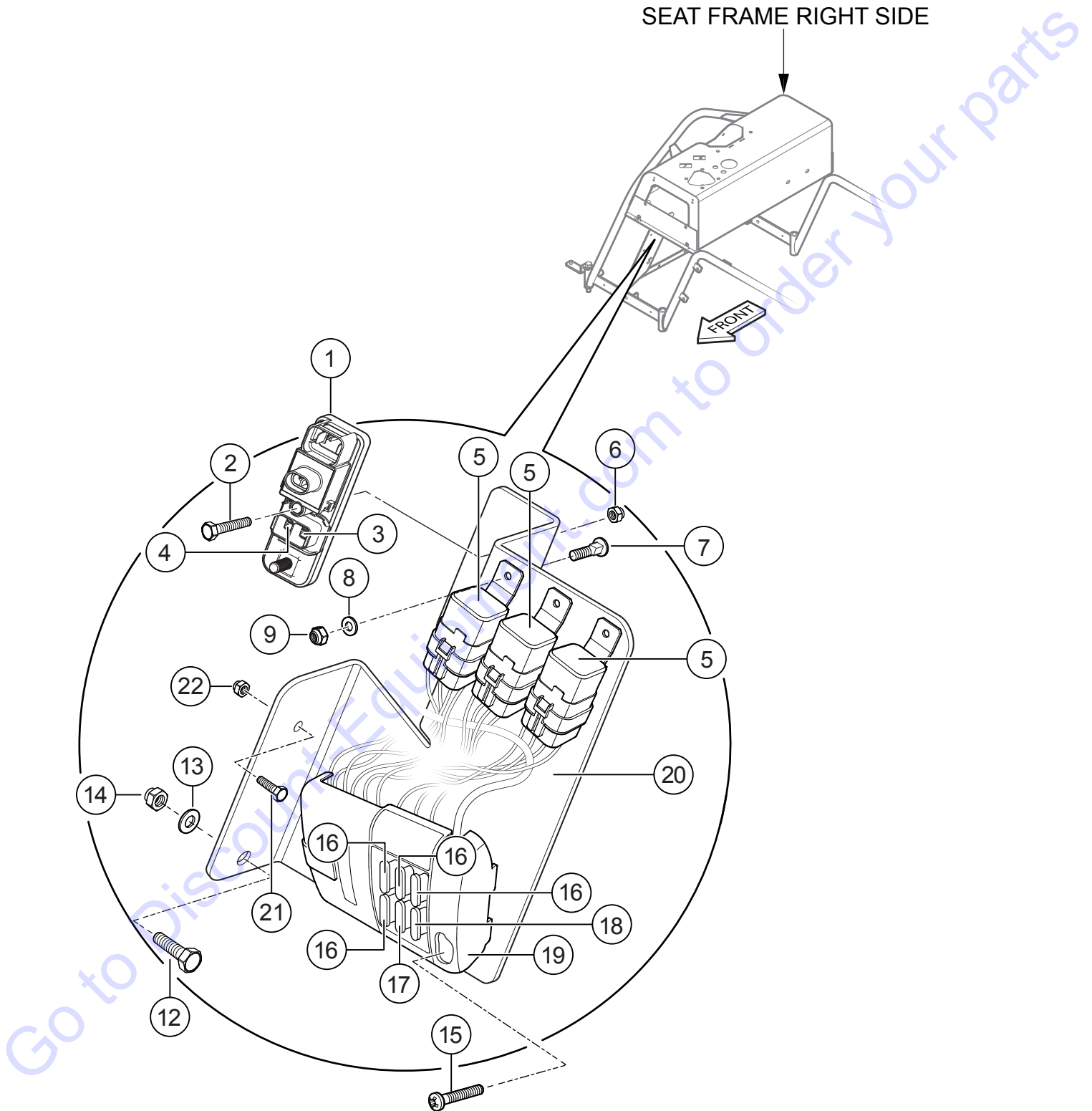


CONTROLLER ASSY.

<u>NO.</u>	<u>PART NO.</u>	<u>PART NAME</u>	<u>QTY.</u>	<u>REMARKS</u>
1	22758	MOUNT, MCU	1	
2	22706	CONTROLLER, MC 050-20.....	1.....	NOT PROGRAMMED
3	11534	NUT, "U" TYPE 1/4-20	6	
4	49048	SCREW, HHFS 1/4-20 X 3/4" GR5	3	
5	4538	SCREW, HHC 1/4-20 X 2-1/2" GR5	4	
6	0948	WASHER, FLAT SAE 1/4	4	
7	21574	CLAMP, LOOP CUSH'D #16 0.25 HOLE	6	
8	10136	WASHER, FLAT SAE 3/8	2	
9	10024	NUT, NYLOC 1/4-20	5	
10	8128	CLAMP, HOSE SUPPORT 5/16	1	
11	933201	WASHER, FENDER 3/16 X 3/4 ZINC	1	
12	13287	NUT, NYLOC 8-32	1	
13	29712	BOLT, CARRIAGE 1/4-20 X 3/4"	3	
14	22766	CHANNEL, WIRE ROUTING	1	

Go to Discount-Equipment.com to order your parts

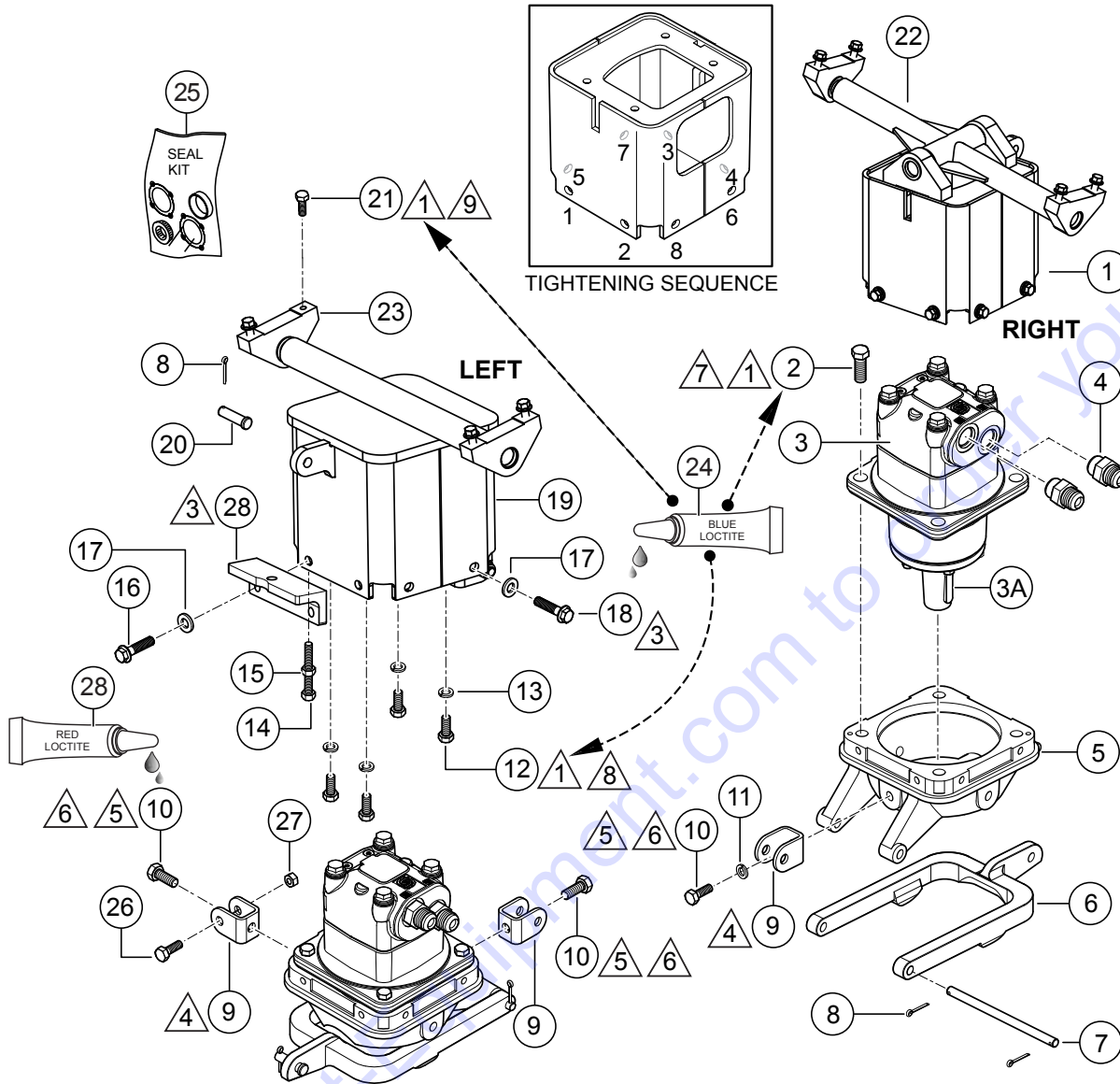
RELAYS - FUSES ASSY.



RELAYS - FUSES ASSY.

<u>NO.</u>	<u>PART NO.</u>	<u>PART NAME</u>	<u>QTY.</u>	<u>REMARKS</u>
1	22724	MODULE, POWER RELAY	1	
2	20909	SCREW, HHC 1/4-20 X 2	1	
3	22725-200	FUSE, 20 AMP J CASE	1	
4	22725-600	FUSE, 60 AMP J CASE	1	
5	12017	RELAY KILL	3	
6	10024	NUT, NYLOC 1/4-20	5	
7	22131	BOLT, CARRIAGE 10-32 X 3/4" ZINC	3	
8	2203	WASHER, FLAT #10	6	
9	10019	NUT, NYLOC 10-32	3	
12	0205	SCREW, HHC 3/8-16 X 1.0"	1	
13	10136	WASHER, FLAT SAE 3/8	2	
14	10133	NUT, NYLOC 3/8-16	1	
15	923118	SCREW, SHC 8-32 x 1" NP	4	
16	23284-200	FUSE, 20 AMP ATC/ATO	4	
17	23284-050	FUSE, .5 AMP ATC/ATO	1	
18	23284-075	FUSE, 7.5 AMP ATC/ATO	1	
19	22426	BLOCK, TERMINAL FUSE	1	
20	22759	PANEL, ELECTRICAL	1	
21	49048	SCREW, HHFS 1/4-20 X 3/4" GR5	1	
22	10024	NUT, NYLOC 1/4-20	1	

PIVOT ASSY.



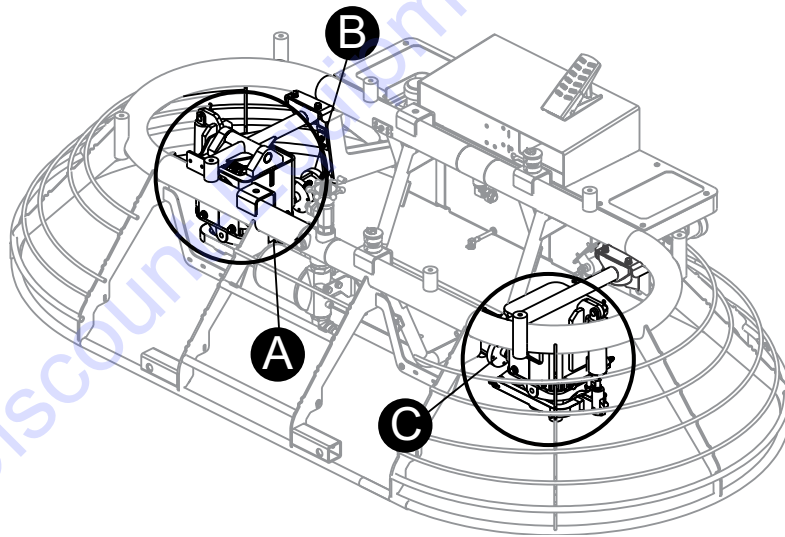
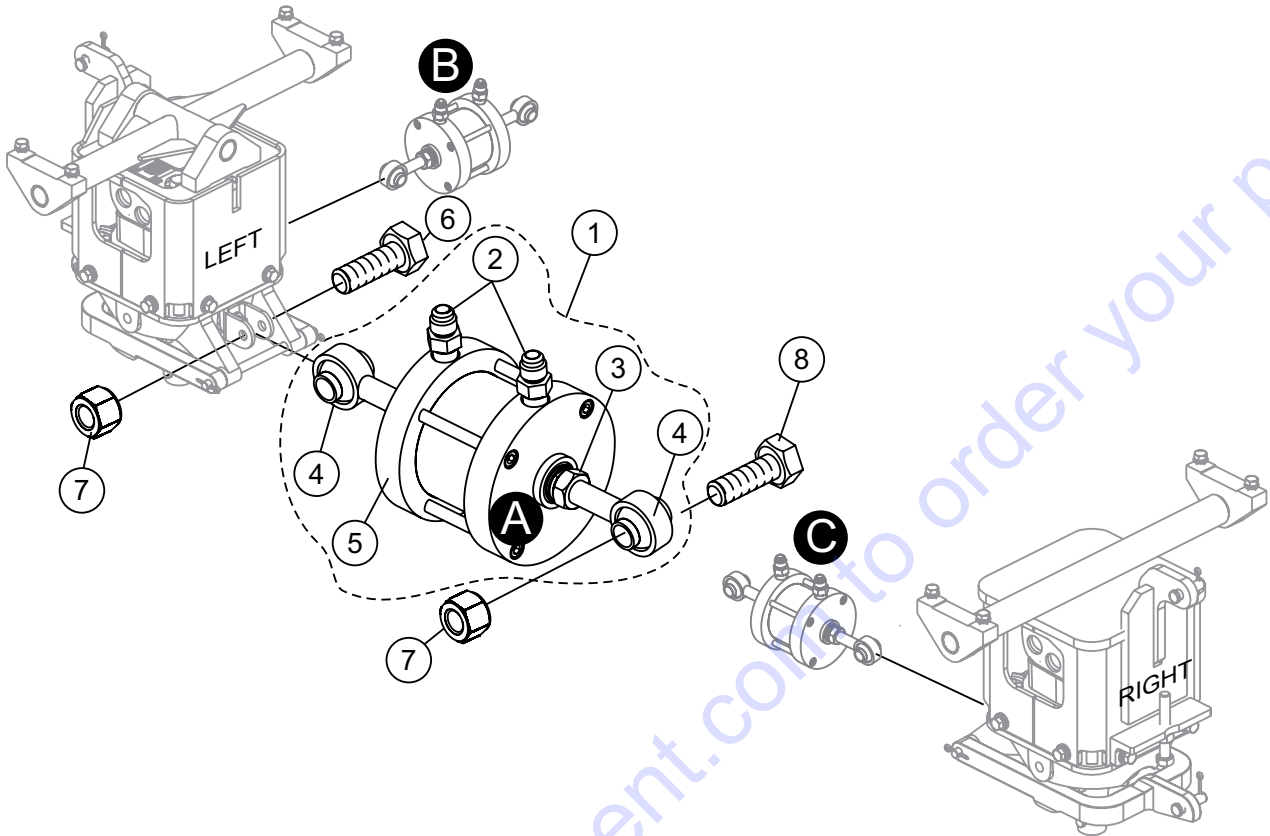
NOTES:

- 1 APPLY BLUE LOCTITE #246.
- 2 SET PITCH STOP USING .030" FEELER GAUGE WITH BLADES FLAT & YOKE RESTING ON THRUST COLLAR.
APPLY MINIMAL AMOUNT OF LPS ANTI-SEIZE GREASE TO THREADS OF SCREW (ITEMS 18).
- 3 HAND START SCREWS. FOLLOWING TIGHTENING SEQUENCE (SEE DIAGRAM ABOVE).
TORQUE SCREW ASSEMBLY (FIRST PASS) TO A VALUE OF 21 FT-LBS (28.47 N.m). FOLLOW
SAME SEQUENCE FOR FINAL TORQUE OF 41 FT-LBS (55.59 N.m).
- 4 CLEAN WITH NON-PETROLEUM BASE CLEANER BEFORE INSTALLING ITEMS 9 AND 10.
- 5 APPLY RED LOCTITE #271.
- 6 TORQUE BOLTS TO 57FT-LB (77.28 N.m.)
- 7 TORQUE BOLTS TO 125FT-LB (169.48 N.m.)
- 8 TORQUE BOLTS TO 33FT-LB (44.74 N.m.)
- 9 TORQUE BOLTS TO 23FT-LB (31.18 N.m.)

PIVOT ASSY.

<u>NO.</u>	<u>PART NO.</u>	<u>PART NAME</u>	<u>QTY.</u>	<u>REMARKS</u>
1	22297	HOUSING W/A, RH DRIVER MOTOR	1	
2	21376	SCREW, HHC 5/8-11 X 1-1/2	8	
3	21855	MOTOR, HYD SAUER-DANFOSS.....	2.....	INCLUDES ITEMS W/\$
3A\$	11009878	SHAFT/BEARING, HYD SAUER-DANFOSS	2	
4	21096	FITTING, STR 10MJ-12MO	4	
5	20643	HOUSING, LOWER MOTOR HSG	2	
6	22738	YOKE, HTX & STX, PITCH - MACHINED	2	
7	21022	PIN, YOKE PIVOT	2	
8	0183	PIN, COTTER 1/8D X 1-1/4	8	
9	20787	CLEVIS, STEERING CYLINDER	3	
10	2691	SCREW, SCREW, HHC 1/2-13 X 1	3	
12	32476	SCREW, HHC 3/8-16 X 1-1/4	4	
14	25002	SCREW, HHC 1/2-13 X 3-1/2 TAP	2	
15	968011	NUT, HEX FINNISH 1/2-13	2	
16	32009	SCREW, HHF 3/8-16 X 1.5 GRD 8	4	
17	21707	WASHER, FLAT 3/8 NORDLOC	16	
18	22228	SCREW, HHF 3/8-16 X 1.00 GRD 8	12	
19	22296	HOUSING, W/A LH DRIVE MOTOR	1	
20	22409	PIN, CLEVIS .50 X 1.50 STEEL ZINC PLTD	4	
21	22106`	SCREW, HHFS 3/8-16 x 1.25 ZINC	8	
22	20639	TRUNION W/A, PIVOT & PITCH	1	
23	11555	PIVOT BLOCK ASSY., MOTOR MT W/BUSH	6	
24	60097	LOCTITE, BLUE #246	AR	
25\$	151B0161	SEAL KIT COMPLETE, DRIVE MOTOR	1	
26	13178	SCREW, HHC 1/2-13 X 2 1/4--GR5	3	
27	10176	NUT, NYLOC 1/2-13	3	
28	19379-014	LOCTITE, #271, ANAEROBIC	AR	
29	32008	BRACKET, PITCH STOP	2	

HYDRAULIC STEERING ASSY.

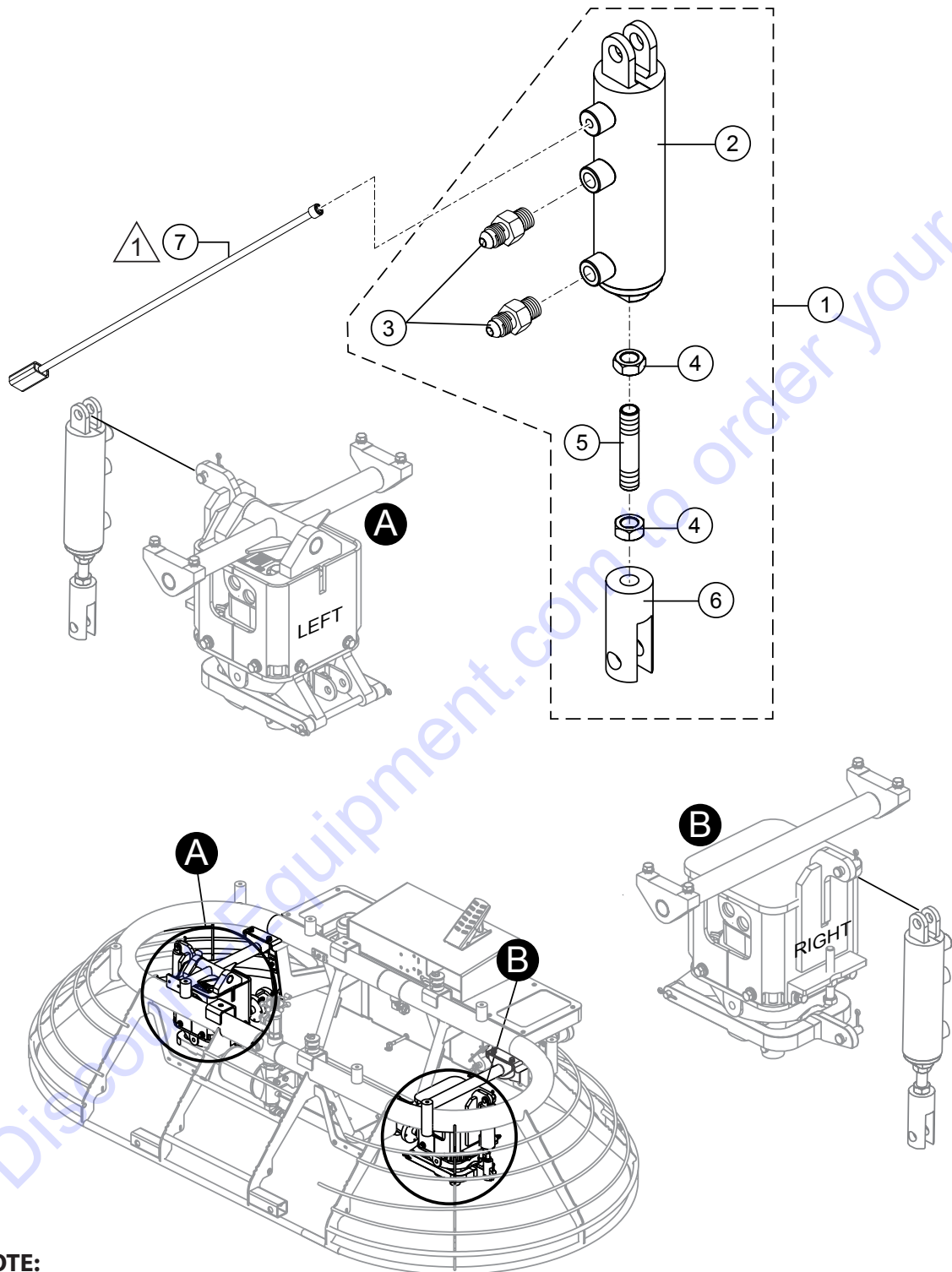


HYDRAULIC STEERING ASSY.

<u>NO.</u>	<u>PART NO.</u>	<u>PART NAME</u>	<u>QTY.</u>	<u>REMARKS</u>
1	20140	HYD. STEERING CYLINDER COMPLETE	3	INCLUDES ITEMS W/#
2#	11725	FITTING STR 6MJ-1/4 MP	6	
3#	11146	NUT, HEX JAM 1/2-20 PLATED	6	
4#	21944	ROD END, 1/2-20 M RH W/CUSTOM BALL	6	
5#	12056	CYL. 2.5" BORE X 1.5" STROKE X .75 ROD	3	
6	13178	SCREW, HHC 1/2-13 X 2 1/4 GR5	3	
7	10176	NUT, NYLOC 1/2-13	6	
8	12402	SCREW, HHC 1/2-13 X 2 1/2	3	

Go to Discount-Equipment.com to order your parts

HYDRAULIC CYLINDER ASSY.



NOTE:

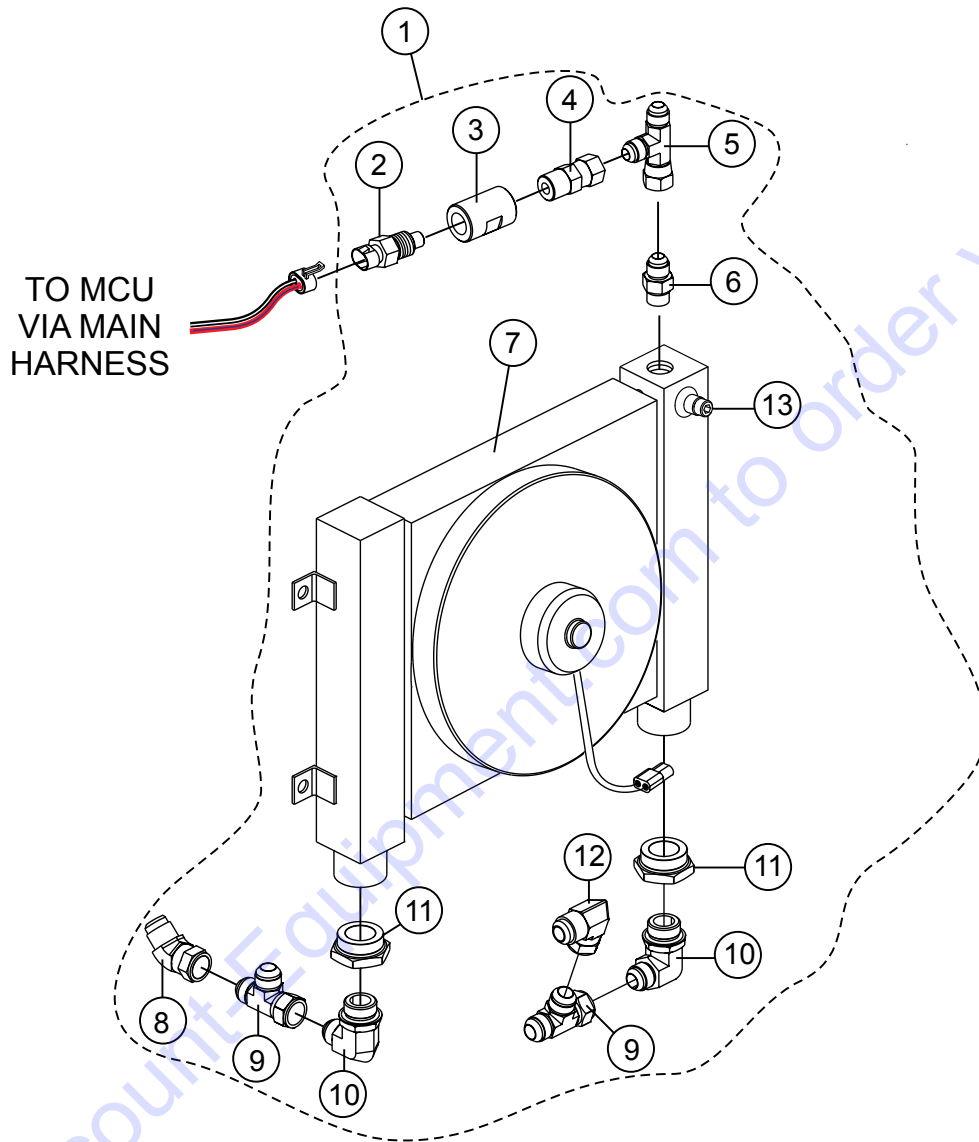
1 CONNECTS TO WIRING HARNESS.

HYDRAULIC CYLINDER ASSY.

<u>NO.</u>	<u>PART NO.</u>	<u>PART NAME</u>	<u>QTY.</u>	<u>REMARKS</u>
1	22866	HYDRAULIC PITCH CYL. COMPLETE	2.....	INCLUDES ITEMS W/#
2#	22252	CYLINDER, POSITION PITCH 1.5 BORE	2	
3#	21095	FITTING, STR 4MJ-4MO	4	
4#	11146	NUT, HEX JAM 1/2-20 PLATED	4	
5#	22279	SCREW, SHS 1/2-20 X 2.50"	2	
6#	23956	CLEVIS, SERVICE	1	
7	22681	WIRE ASSY., SMART CYL. PIGTAIL	2	

Go to Discount-Equipment.com to order your parts

HYDRAULIC COOLER ASSY.



HYDRAULIC COOLER ASSY.

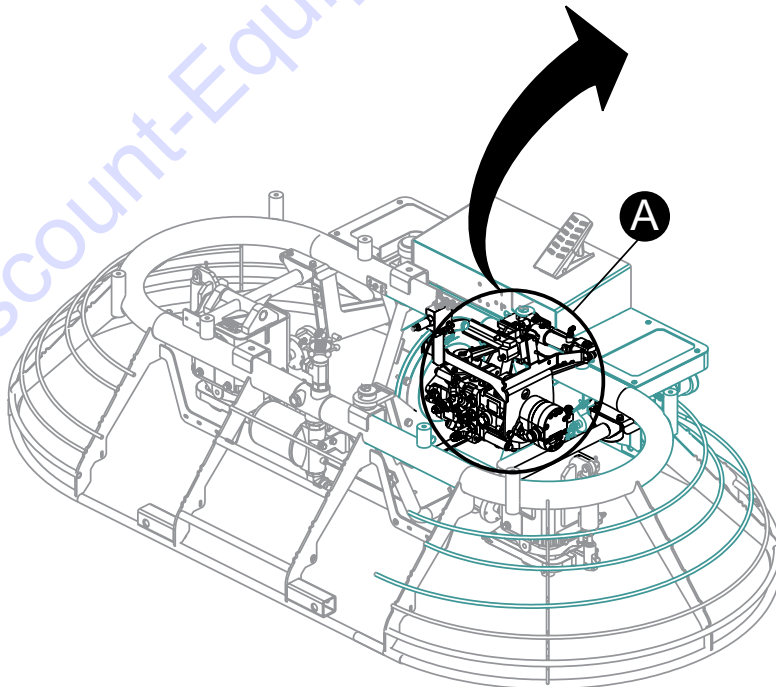
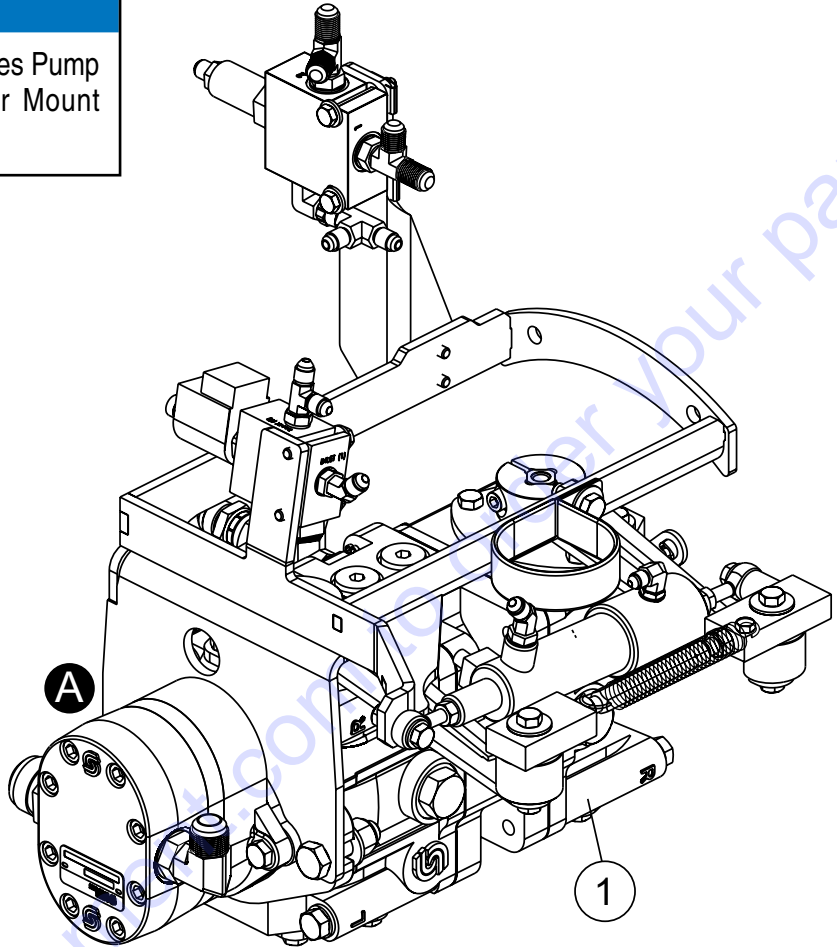
<u>NO.</u>	<u>PART NO.</u>	<u>PART NAME</u>	<u>QTY.</u>	<u>REMARKS</u>
1	22859	COOLER ASSY. COMPLETE	1.....	INCLUDES ITEMS W/#
2#	22746	SENSOR,TEMPERATURE-HYD OIL	1	
3#	22826	COUPLER,OIL COOLER SENSOR	1	
4#	22825	FITTING, STR 6FJ x 3/8MP	1	
5#	22830	FITTING, TEE 6FJ x 6MJ x 6MJ RUN	1	
6#	21985	FITTING, ORIFICE 6MJ-6MO x .078	1	
7#	21058	COOLER, OIL TH TRANSFER MF-30-2-4A	1	
8#	16609	FITTING, 45 12MJ - 12FJ	1	
9#	22114	FITTING, TEE 12MJ -12FJ -12MJ	2	
10#	22113	FITTING, 90 16MO - 12MJ	2	
11#	21060	FITTING, STR -24MO x -16FO	2	
12#	22799	FITTING, 90 12FJ x -12MJ	1	
13	5016 B	FITTING, PLUG 3/8MP HEX SKT HD	1	

Go to Discount-Equipment.com to order your parts

PUMP ASSY. COMPLETE

NOTICE

Complete Pump Assembly P/N 22863 includes Pump Fittings, Pump Levers and Pump Stroker Mount Assemblies. See preceding pages.

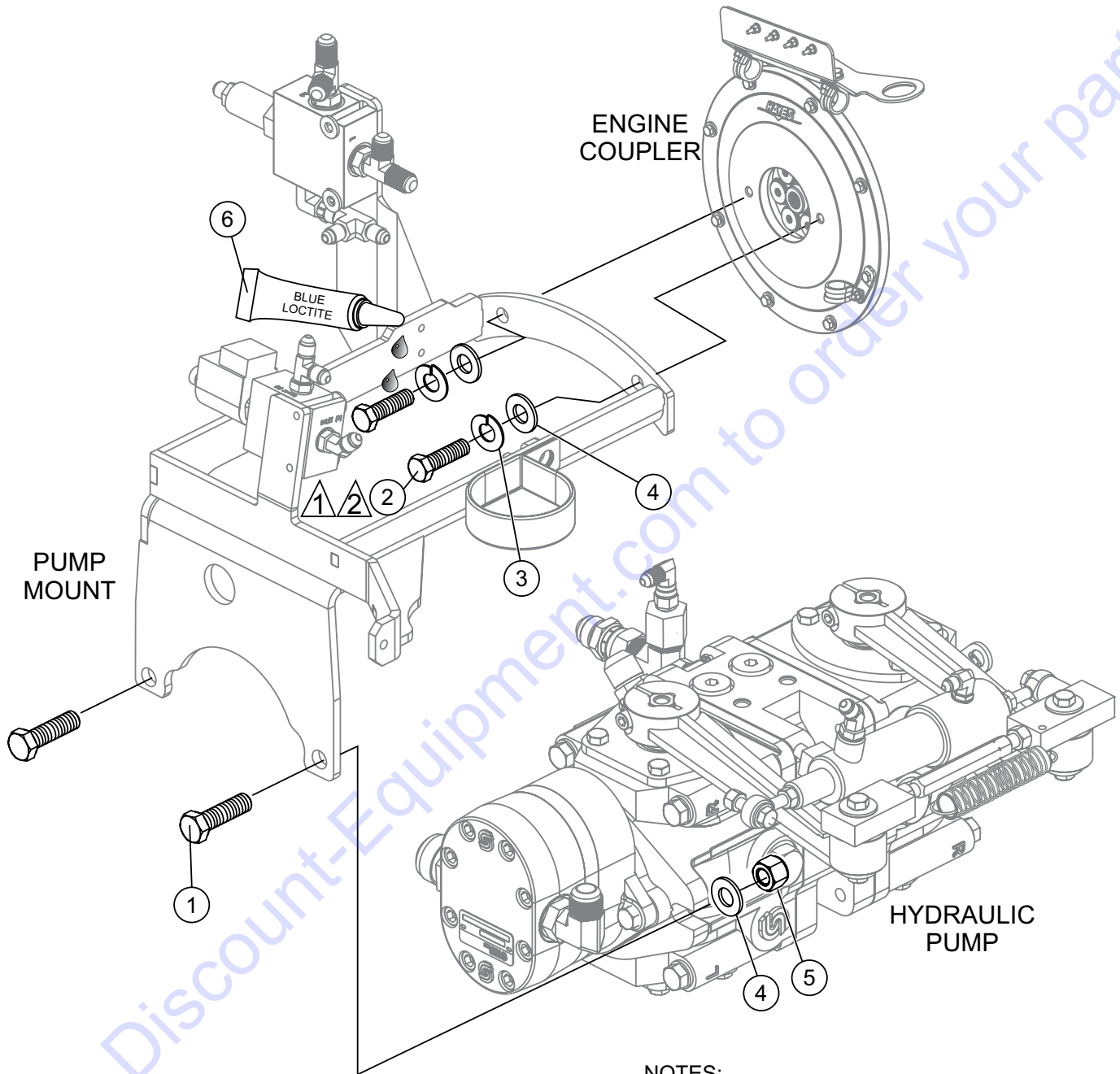


PUMP ASSY. COMPLETE

<u>NO.</u>	<u>PART NO.</u>	<u>PART NAME</u>	<u>QTY.</u>	<u>REMARKS</u>
1	22863	PUMP ASSY, COMPLETE	1	


Go to Discount-Equipment.com to order your parts

PUMP MOUNTING BRACKET ASSY.



NOTES:

 APPLY BLUE LOCTITE™

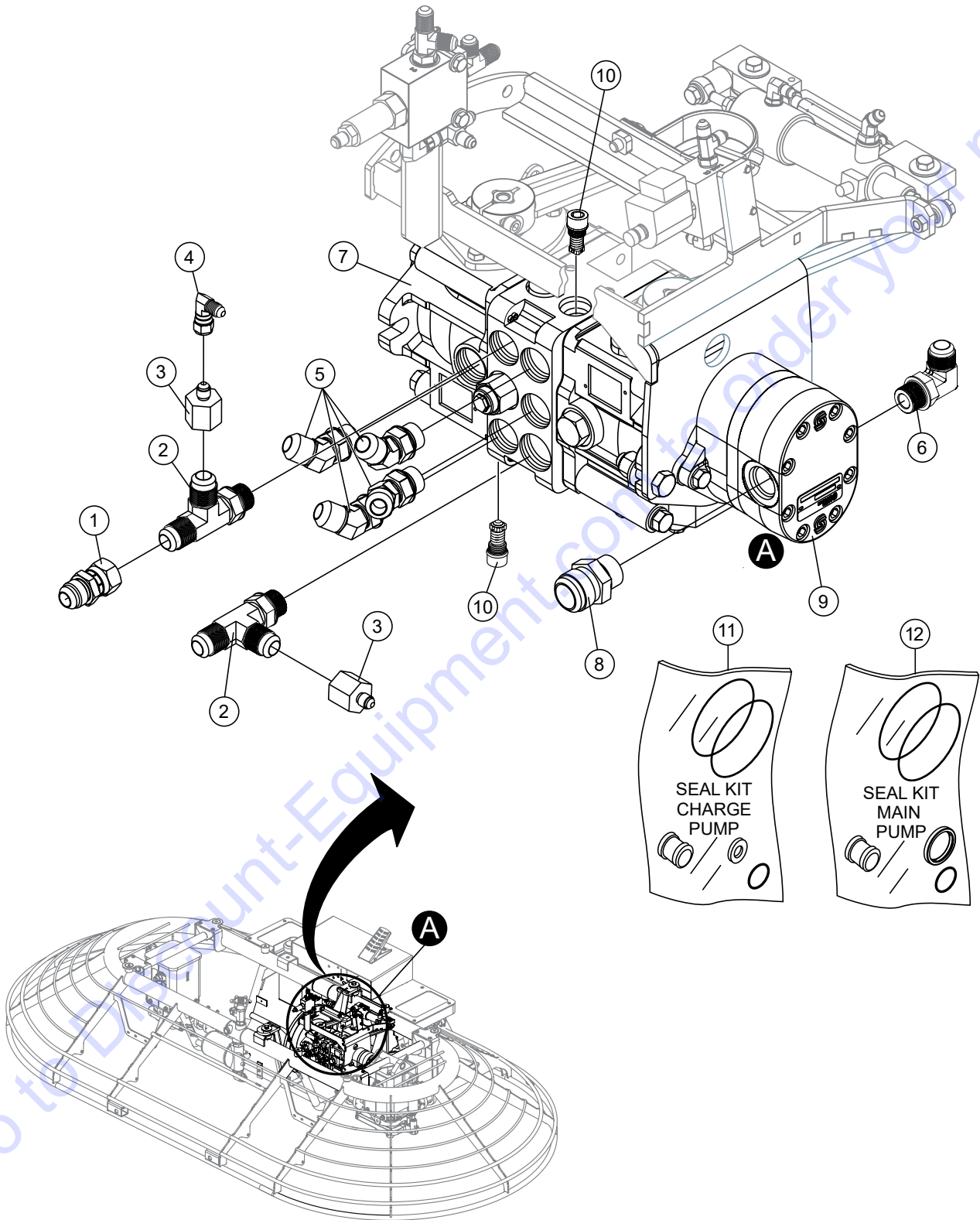
 TORQUE TO 46 FT-LBS 62.3 N·m

PUMP MOUNTING BRACKET ASSY.

<u>NO.</u>	<u>PART NO.</u>	<u>PART NAME</u>	<u>QTY.</u>	<u>REMARKS</u>
1	3242	SCREW, HHC 1/2-13 X 1-3/4	2	
2	5218	SCREW, HHC 1/2-13 X 1 1/2	2	
3	12220	WASHER, LOCK 1/2 HIGH STRENGTH	2	
4	16630	WASHER, FLAT SAE 1/2 HIGH STRENGTH	4	
5	10176	NUT, NYLOC 1/2-13	2	
6	1477	LOCTITE™ 242 BLUE .5CC	1	

Go to Discount-Equipment.com to order your parts

PUMP FITTINGS ASSY.

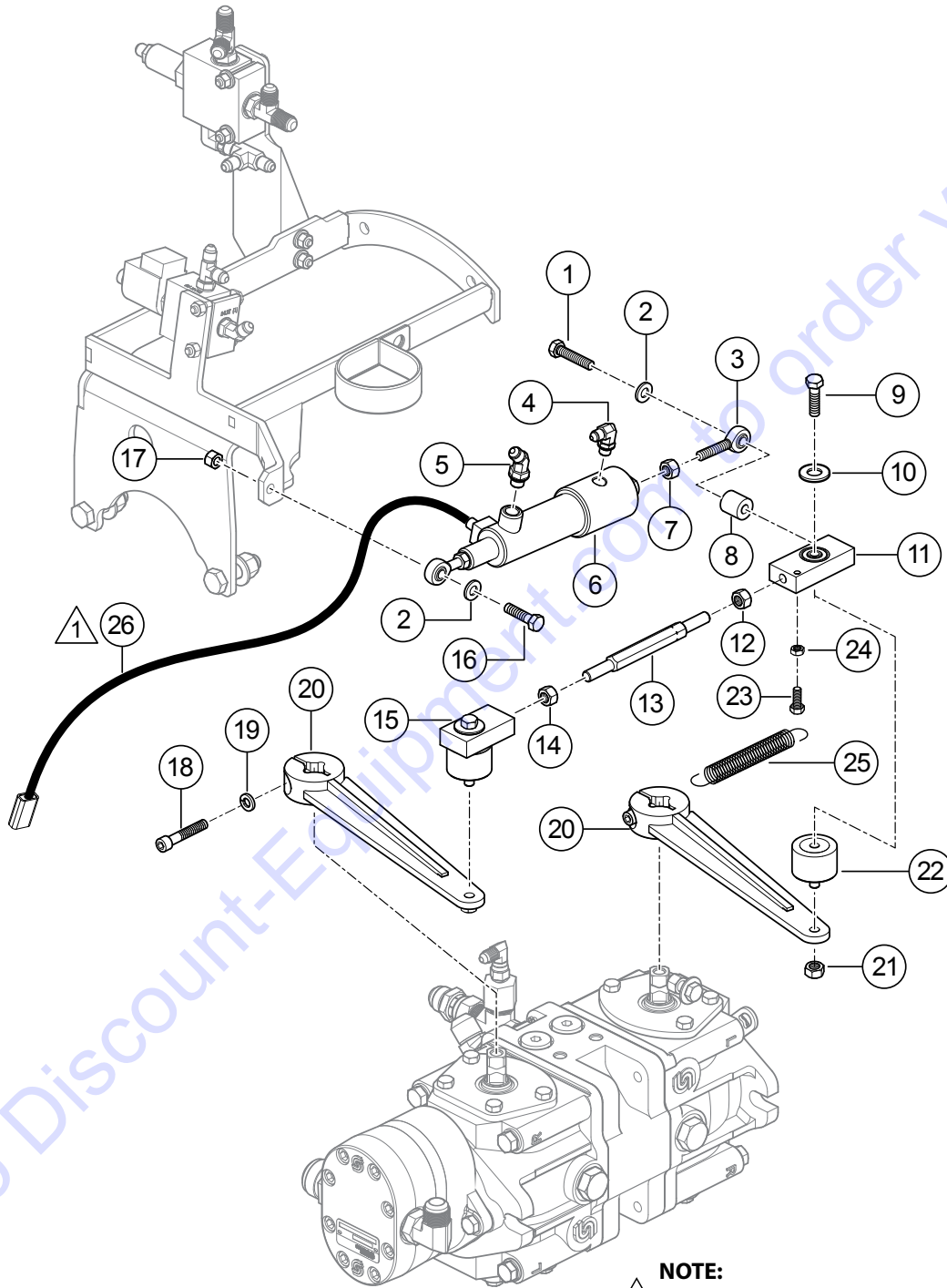


PUMP FITTINGS ASSY.

<u>NO.</u>	<u>PART NO.</u>	<u>PART NAME</u>	<u>QTY.</u>	<u>REMARKS</u>
1	21997	FITTING, STR -10FJ X -10MJ	1	
2	21093	FITTING, TEE 10MJ-10MJ-10MO RUN	2	
3	22791	FITTING, STR -10FJ x -4MJ REDUCER	2	
4	366640	FITTING, 90 4MJ - 4 FJ	1	
5	16336	FITTING, 45 10MJ-10MO	4	
6	3322	FITTING, 90 10MJ-10MO	1	
7	21287	PUMP ASSY, SAUER DANFOS M25	1.....	INCLUDES ITEM W/\$
8	22383	FITTING, STR 12MO x 16MJ	1	
9\$	32108	CHARGE PUMP, SAUER DANFOS	1	
10\$	22177	VALVE, PRESSURE RELIEF 300 BAR	2	
11	32112	SEAL KIT, CHARGE PUMP	1	
12	32114	SEAL KIT, MAIN PUMP	1.....	COMPLETE PUMP

Go to Discount-Equipment.com to order your parts

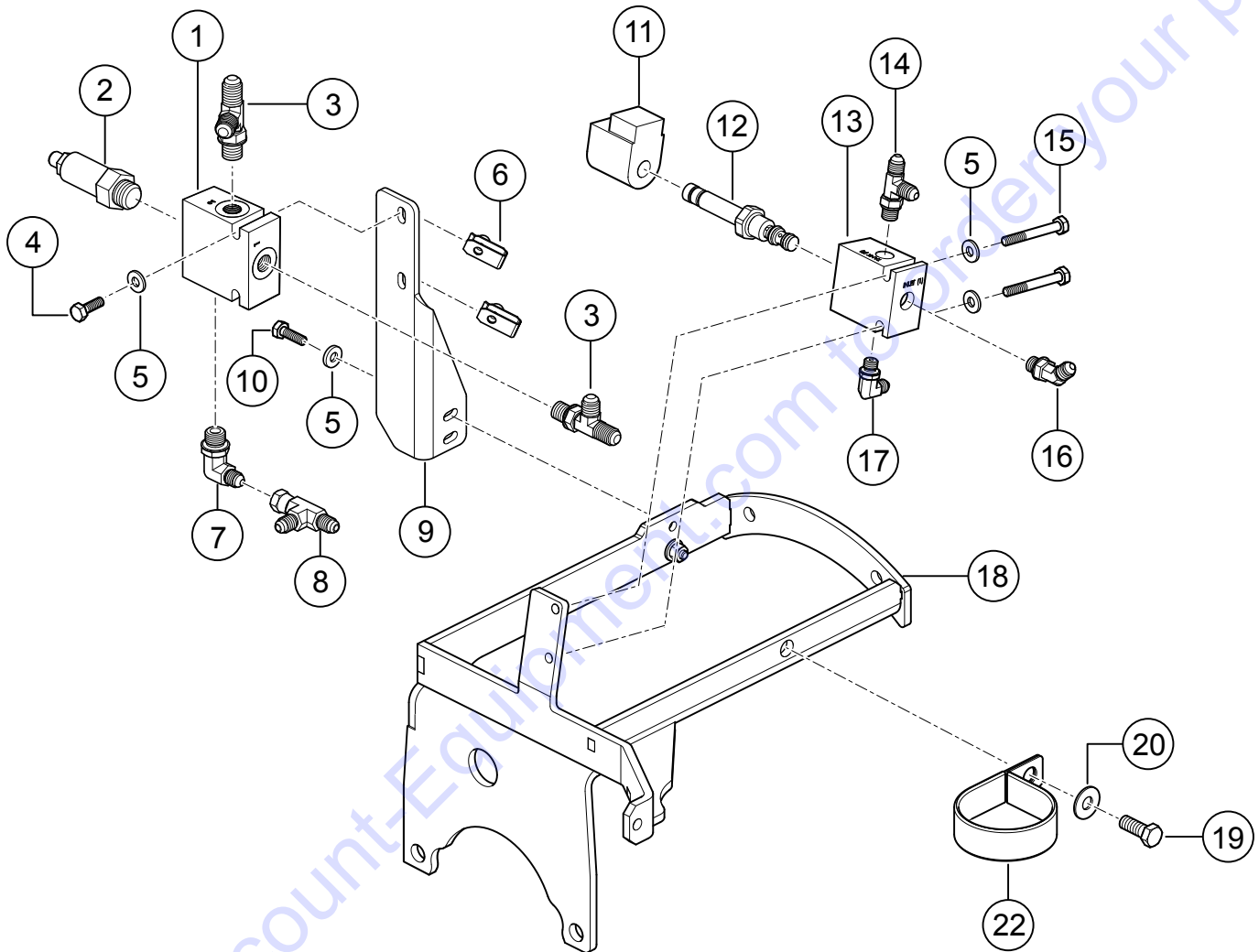
PUMP LEVERS ASSY.



PUMP LEVERS ASSY.

<u>NO.</u>	<u>PART NO.</u>	<u>PART NAME</u>	<u>QTY.</u>	<u>REMARKS</u>
1	22024	SCREW, HHC 5/16-24 X 1-3/4" GR 5 ZINC	1	
2	0300 B	WASHER, FLAT SAE 5/16"	2	
3	1723	ROD END, 5/16-24 MALE RH	2	
4	368817	FITTING, 90 4MU-4MO	2	
5	21159	FITTING, 45 4MJ-4MO	2	
6	22287	CYLINDER, PUMP STROKING #661563	1	
7	6014 C	NUT, HEX FINISH 5/16-24	2	
8	21391	SPACER, .75" OD X .318" ID X .75" L	1	
9	2623	SCREW, HHC 5/16-18 X 1-1/4"	2	
10	933213	WASHER, FENDER 5/16 X 1" ZINC	2	
11	22650	BEARING, BLOCK ASM PUMP CTRL RH-LG	1	
12	5023 B	NUT, HEX FINISH 3/8-24 PLAIN	1	
13	21301	ROD, PUMP ACTUATOR M25	1	
14	21342	NUT, HEX FINISH 3/8-24 PLAIN	1	
15	21267	BEARING BLOCK ASM., PUMP CTRL LH	1	
16	10181	SCREW, HHC 5/16-24 X 1-1/4"	1	
17	2656	NUT, NYLOC 5/16-24	1	
18	0243	SCREW, SHC 5/16-18 X 1-3/4"	2	
19	0161 C	WASHER, LOCK 5/16" MED	2	
20	21290	LEVER W/A, PUMP CONTROL M25	2	
21	0161 D	NUT, HEX FINISH 5/16-18	2	
22	21231	ISOLATOR PLATE STUD 5/16"	2	
23	0131 A	SCREW, HHC 1/4-20 X 3/4"	1	
24	07034-004	NUT, HEX JAM 1/4-20	1	
25	22716	SPRING, EXT. .75" OD X 4.50" X .062"	1	
26	22681	WIRING ASSY., SMART CYL. PIGTAIL	1	

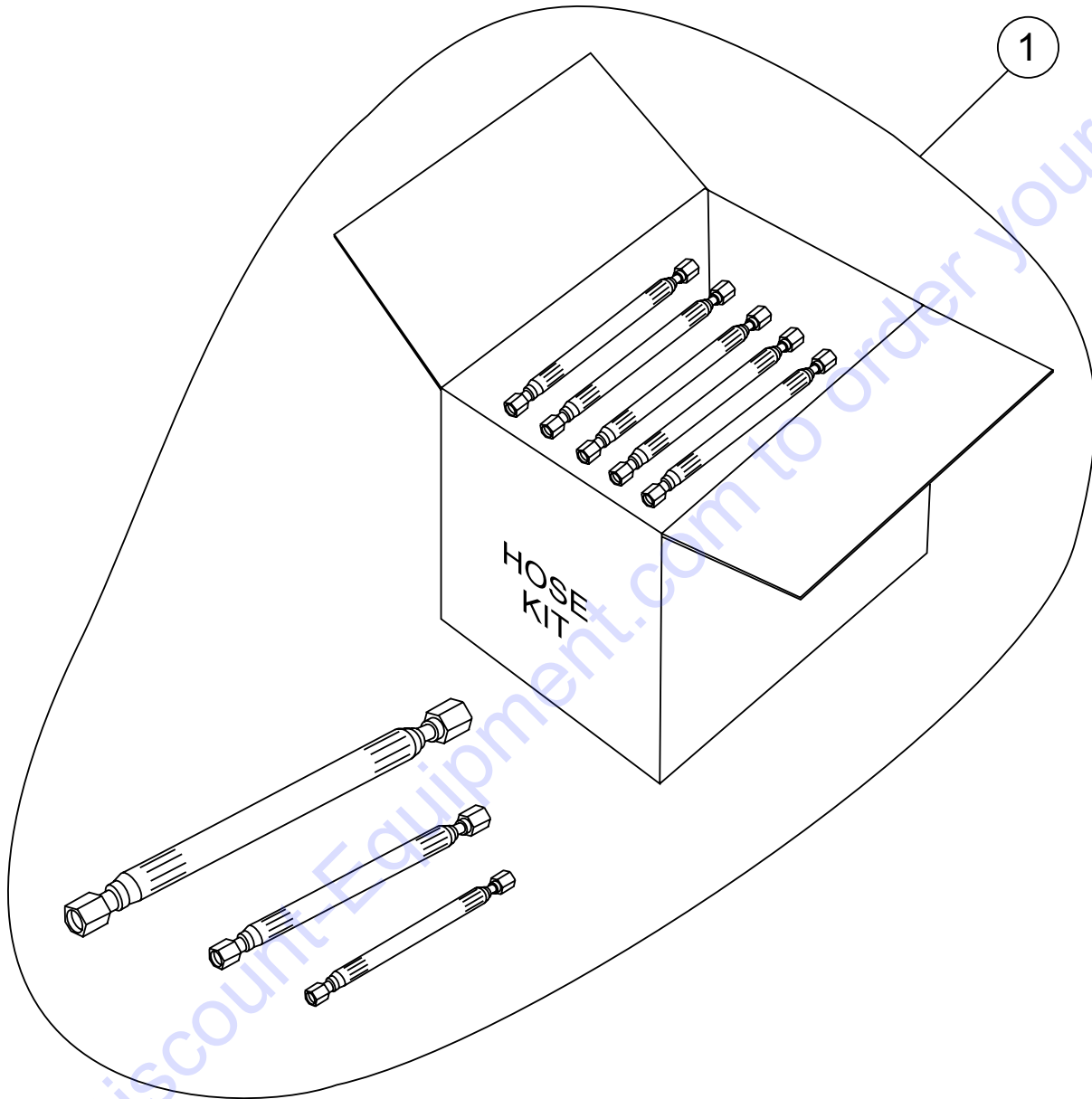
PUMP STROKER MOUNT ASSY.



PUMP STROKER MOUNT ASSY.

<u>NO.</u>	<u>PART NO.</u>	<u>PART NAME</u>	<u>QTY.</u>	<u>REMARKS</u>
1	22832	VALVE BODY, 3 PORT-CP 10-3-65	1	
2	22831	VALVE, PRESSURE REDUCING	1	
3	12159	FITTING, TEE 6MJ-6MJ-6MO RUN	2	
4	20909	SCREW, HHC 1/4-20 X 2"	2	
5	0948	WASHER, FLAT SAE 1/4"	6	
6	35358	PALNUT, U, 5/16-18 X .5/.20 PANEL	2	
7	37407	FITTING, 4MJ X 6MO-90	1	
8	366690	FITTING, TEE RUN 4MJ-4MJ-4FJ	1	
9	22843	BRACKET, 3 PORT VALVE BODY	1	
10	0131 A	SCREW, HHC 1/4-20 X 3-1/4"	2	
11	22283	COIL, STROKER VALVE	1	
12	22835	VALVE, PROP	1	
13	22285	BODY, VALVE-STROKER	1	
14	35157	FITTING, TEE 4MO-4MJ-4MJ RUN	1	
15	26250	SCREW, HHC 1/4-20 X 1-3/4"	2	
16	21159	FITTING, 45 4MJ-4MO	1	
17	368817	FITTING, 90 4MJ-4MO	1	
18	22675	MOUNT, PUMP STROKER	1	
19	0205	SCREW, HHC 3/8-16 X 1.0"	1	
20	10136	WASHER, FLAT SAE 3/8"	1	
22	21349	CLAMP, HOSE 2.63 VINYL	1	

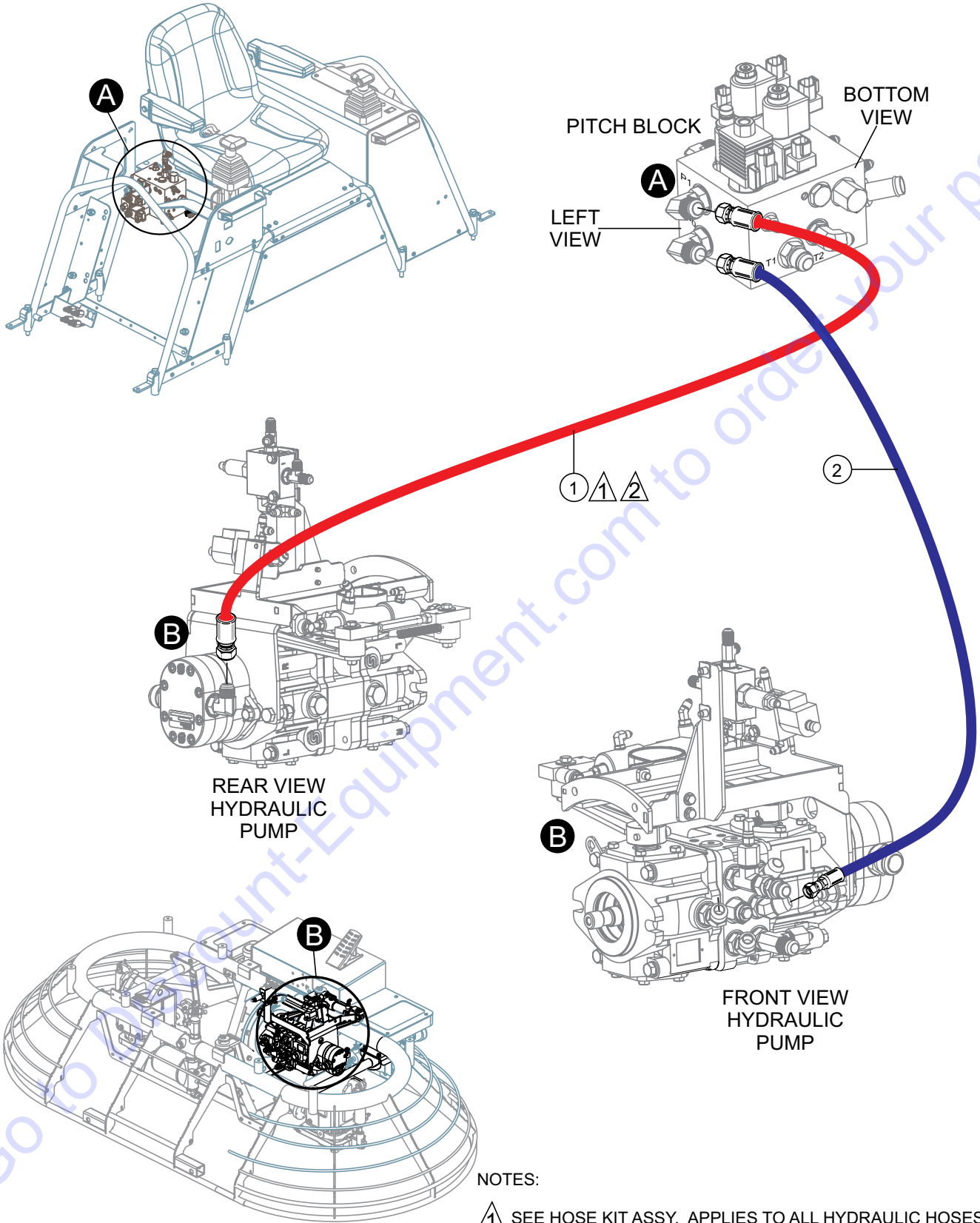
HYDRAULIC HOSE KIT ASSY. COMPLETE



HYDRAULIC HOSE KIT ASSY. COMPLETE

<u>NO.</u>	<u>PART NO.</u>	<u>PART NAME</u>	<u>QTY.</u>	<u>REMARKS</u>
1	22372	HOSE KIT ASSY.	1	INCLUDES ITEMS BELOW
	12901	HOSE ASSY., 1/2 ID x 18.00" STR ENDS	1	
	21102	HOSE ASSY., 5/8 ID x 20.00" 45° ENDS	1	
	22424	HOSE ASSY., 3/4 ID x 38.00" MEGAVAC	1	
	21158	HOSE ASSY., 1/2 ID x 24.00" STR ENDS	1	
	21201	HOSE ASSY., 3/8 ID x 36.50" STR ENDS	2	
	21695	HOSE ASSY., 3/8 ID x 40.00" STR AND LG 90° ENDS	2	
	21771	HOSE ASSY., 3/8 ID x 11.50" STR ENDS	1	
	21818	HOSE ASSY., 1.00 ID x 30" STR AND 90° ENDS	1	
	21995	HOSE ASSY., 3/8 ID x 40.50" STR ENDS	2	
	22771	HOSE ASSY., 5/8 ID x 19" STR ENDS	2	
	22466	HOSE ASSY., 3/8 ID x 67.00" STR ENDS	2	
	22469	HOSE ASSY., 5/8 ID x 65.50" STR AND 45° ENDS	1	
	22470	HOSE ASSY., 1/4 ID x 48" STR ENDS	2	
	22471	HOSE ASSY., 5/8 ID x 23.50" STR AND 90° ENDS	1	
	22472	HOSE ASSY., 5/8 ID x 44.50" 45 AND 90° ENDS	1	
	22474	HOSE ASSY., 1/4 ID x 83" STR ENDS	2	
	22475	HOSE ASSY., 1/4 ID x 10.00" STR ENDS	1	
	22476	HOSE ASSY., 1/4 ID x 8.00" STR ENDS	1	
	22477	HOSE ASSY., 1/4 ID x 24" STR AND 90° ENDS	1	
	22694	HOSE ASSY., 3/8 ID x 20.50" STR AND 90° ENDS	1	
	22695	HOSE ASSY., 1/2 ID x 26.50" STR AND 45° ENDS	1	
	22430	HOSE ASSY., 5/8 IDx22.0" STR ENDS-PUSHLOC	1	
	22478	HOSE ASSY., 1/4 ID x 22.50" STR ENDS	1	
	22395	HOSE ASSY., 1/4 ID x 14.00" STR ENDS	2	
	22836	HOSE ASSY., 1/4 ID x 11.0" STR AND 90° ENDS	1	
	22837	HOSE ASSY., 1/4 ID x 13.5" STR AND 90° ENDS	1	
	22838	HOSE ASSY., 1/4 ID x 22.0" STR AND 90° ENDS	1	
	22839	HOSE ASSY., 3/8 ID x 20.0" STR AND 90° ENDS	2	

HYDRAULIC HOSE ASSY. (PITCH BLOCK PORTS P0-P1)



NOTES:

- ▲ SEE HOSE KIT ASSY. APPLIES TO ALL HYDRAULIC HOSES.
- ▲ HOSE COLORS SHOWN FOR CLARITY ONLY.

PARTS FINDER

**Search Website
by Part Number**



**Search Manual
Library For Parts
Manual & Lookup Part
Numbers – Purchase
or Request Quote**

Search Manuals

Enter your information to help us find the right parts manual for your machine.

* Brand:

* Model:

* Serial:

* Part Number:

SEARCH

**Can't Find Part or
Manual? Request Help
by Manufacturer,
Model & Description**

Parts Order Form

Please fill in the following information to help us find the right part for your machine.

Manufacturer:	<input type="text"/>
Model:	<input type="text"/>
Description:	<input type="text"/>
Part Number:	<input type="text"/>
Quantity:	<input type="text"/>
Notes:	<input type="text"/>

Discount-Equipment.com is your online resource for quality parts & equipment.

Florida: **561-964-4949** Outside Florida TOLL FREE: **877-690-3101**

Need parts?

Click on this link: <http://www.discount-equipment.com/category/5443-parts/> and choose one of the options to help get the right parts and equipment you are looking for. Please have the machine model and serial number available in order to help us get you the correct parts. If you don't find the part on the website or on one of the online manuals, please fill out the request form and one of our experienced staff members will get back to you with a quote for the right part that your machine needs.

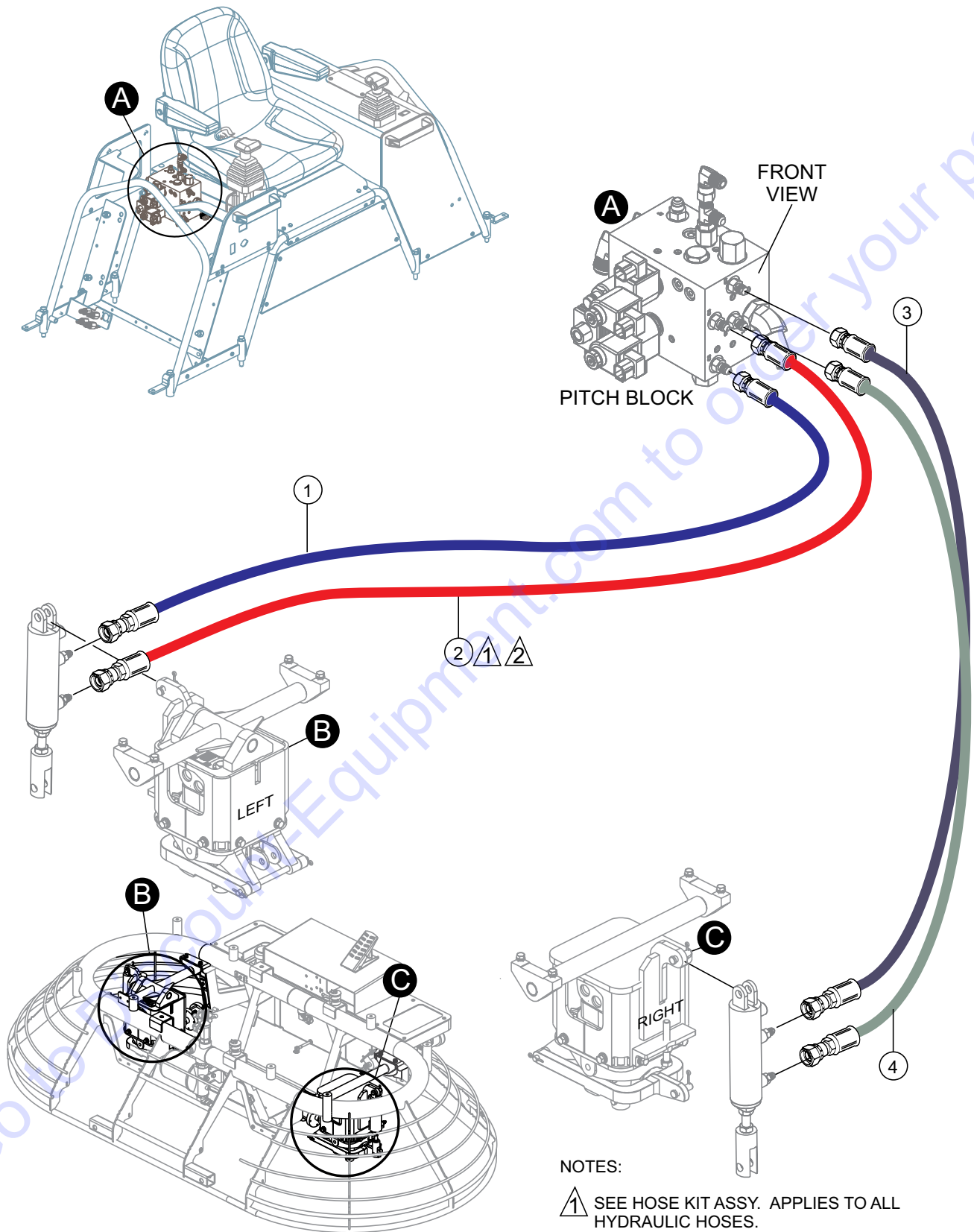
We sell worldwide for the brands: Genie, Terex, JLG, MultiQuip, Mikasa, Essick, Whiteman, Mayco, Toro Stone, Diamond Products, Generac Magnum, Airman, Haulotte, Barreto, Power Blanket, Nifty Lift, Atlas Copco, Chicago Pneumatic, Allmand, Miller Curber, Skyjack, Lull, Skytrak, Tsurumi, Husquvarna Target, Stow, Wacker, Sakai, Mi-T-M, Sullair, Basic, Dynapac, MBW, Weber, Bartell, Bennar Newman, Haulotte, Ditch Runner, Menegotti, Morrison, Contec, Buddy, Crown, Edco, Wyco, Bomag, Laymor, EZ Trench, Bil-Jax, F.S. Curtis, Gehl Pavers, Heli, Honda, ICS/PowerGrit, IHI, Partner, Imer, Clipper, MMD, Koshin, Rice, CH&E, General Equipment, Amida, Coleman, NAC, Gradall, Square Shooter, Kent, Stanley, Tamco, Toku, Hatz, Kohler, Robin, Wisconsin, Northrock, Oztec, Toker TK, Rol-Air, APT, Wylie, Ingersoll Rand / Doosan, Innovatech, Con X, Ammann, Mecalac, Makinex, Smith Surface Prep, Small Line, Wanco, Yanmar

HYDRAULIC HOSE ASSY. (PITCH BLOCK PORTS P0-P1)

<u>NO.</u>	<u>PART NO.</u>	<u>PART NAME</u>	<u>QTY.</u>	<u>REMARKS</u>
1	21076	HOSE ASM,1/2 ID x 29.50" STR ENDS	1	
2	21334	HOSE ASM,1/2 ID x 26.50" STR ENDS	1	

Go to Discount-Equipment.com to order your parts

HYDRAULIC HOSE ASSY. (PITCH BLOCK PORTS C1~C4)



NOTES:

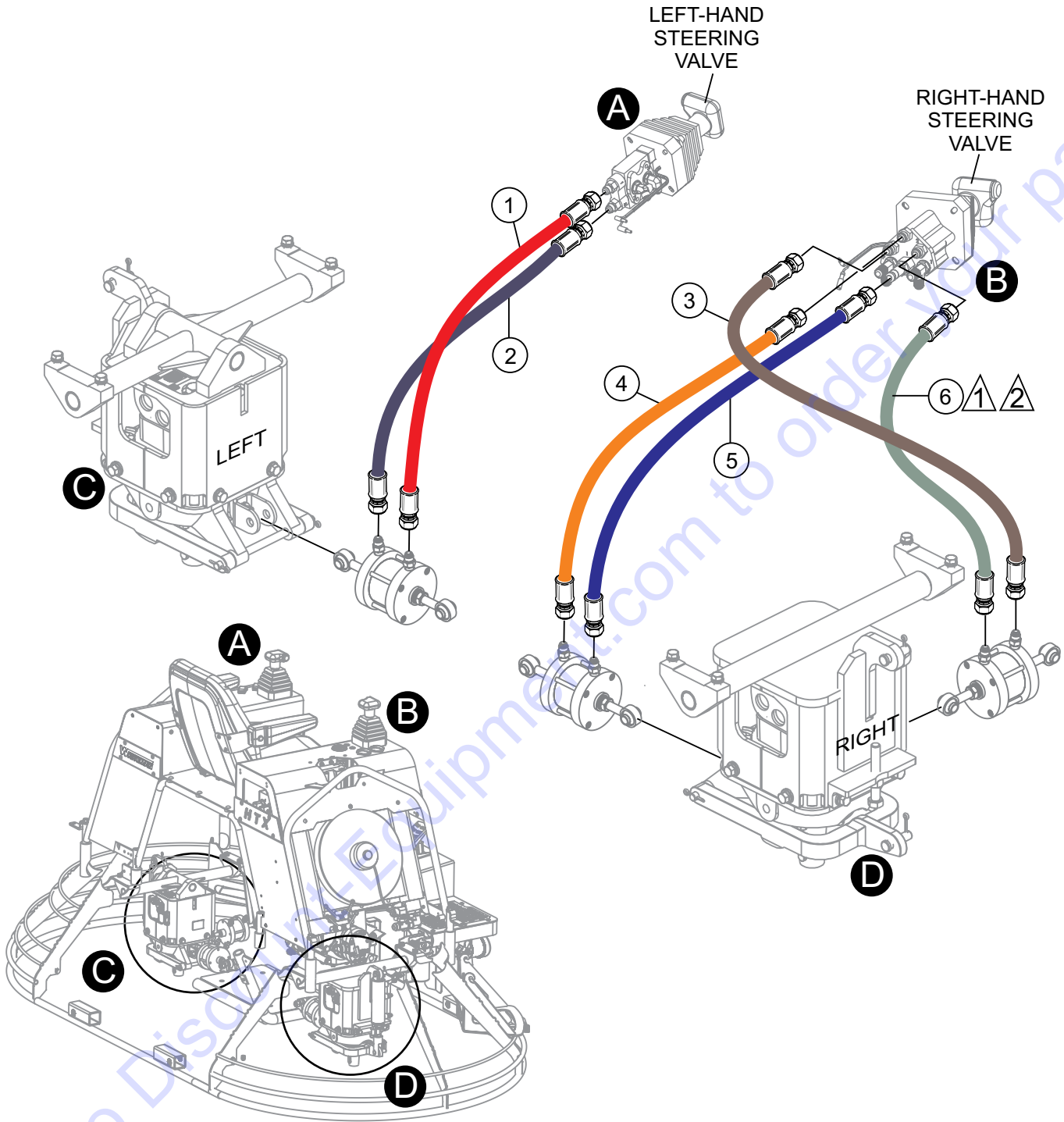
- ▲ 1 SEE HOSE KIT ASSY. APPLIES TO ALL HYDRAULIC HOSES.
- ▲ 2 HOSE COLORS SHOWN FOR CLARITY ONLY.

HYDRAULIC HOSE ASSY. (PITCH BLOCK PORTS C1~C4)

<u>NO.</u>	<u>PART NO.</u>	<u>PART NAME</u>	<u>QTY.</u>	<u>REMARKS</u>
1	22396	HOSE ASM, 1/4 ID x 98.50"-4FJ STR ENDS	1	
2	22396	HOSE ASM, 1/4 ID x 98.50"-4FJ STR ENDS	1	
3	22423	HOSE ASM, 1/4 ID x 53.50"-4FJ STR ENDS	1	
4	22423	HOSE ASM, 1/4 ID x 53.50"-4FJ STR ENDS	1	

Go to Discount-Equipment.com to order your parts

HYDRAULIC HOSE ASSY. (LH-RH STEERING VALVES #1)



NOTES:

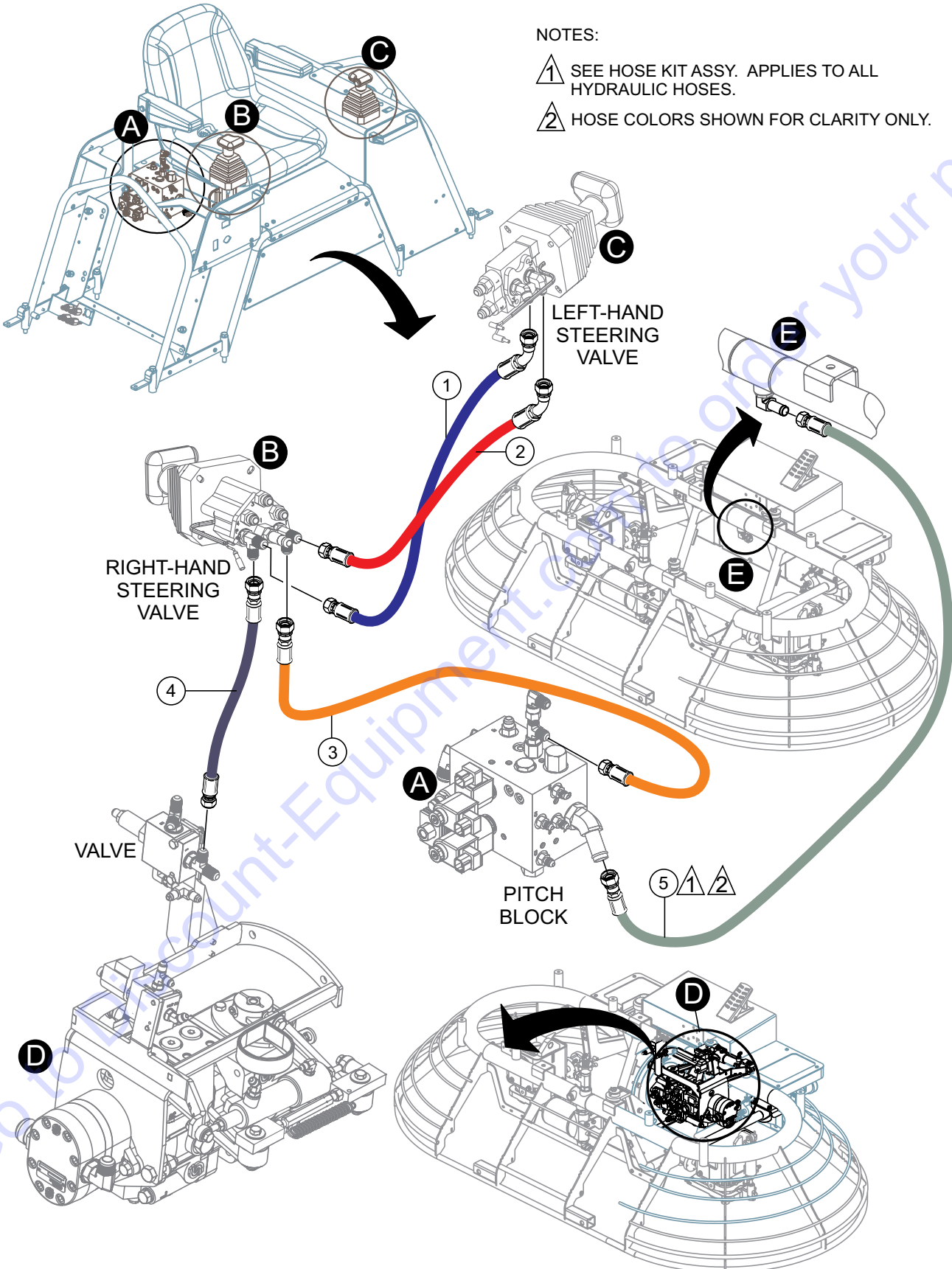
- ① SEE HOSE KIT ASSY. APPLIES TO ALL HYDRAULIC HOSES.
- ② HOSE COLORS SHOWN FOR CLARITY ONLY.

HYDRAULIC HOSE ASSY. (LH-RH STEERING VALVES #1)

<u>NO.</u>	<u>PART NO.</u>	<u>PART NAME</u>	<u>QTY.</u>	<u>REMARKS</u>
1	22427	HOSE ASM, 3/8 ID x 45.50"-6FJ STR ENDS	1	
2	22427	HOSE ASM, 3/8 ID x 45.50"-6FJ STR ENDS	1	
3	22428	HOSE ASM, 3/8 ID x 42.00"-6FJ STR ENDS	1	
4	22428	HOSE ASM, 3/8 ID x 42.00"-6FJ STR ENDS	1	
5	21995	HOSE ASM, 3/8 ID x 40.50" STR ENDS	1	
6	22428	HOSE ASM, 3/8 ID x 42.00"-6FJ STR ENDS	1	

Go to Discount-Equipment.com to order your parts

HYDRAULIC HOSE ASSY. (LH-RH STEERING VALVES #2)



NOTES:

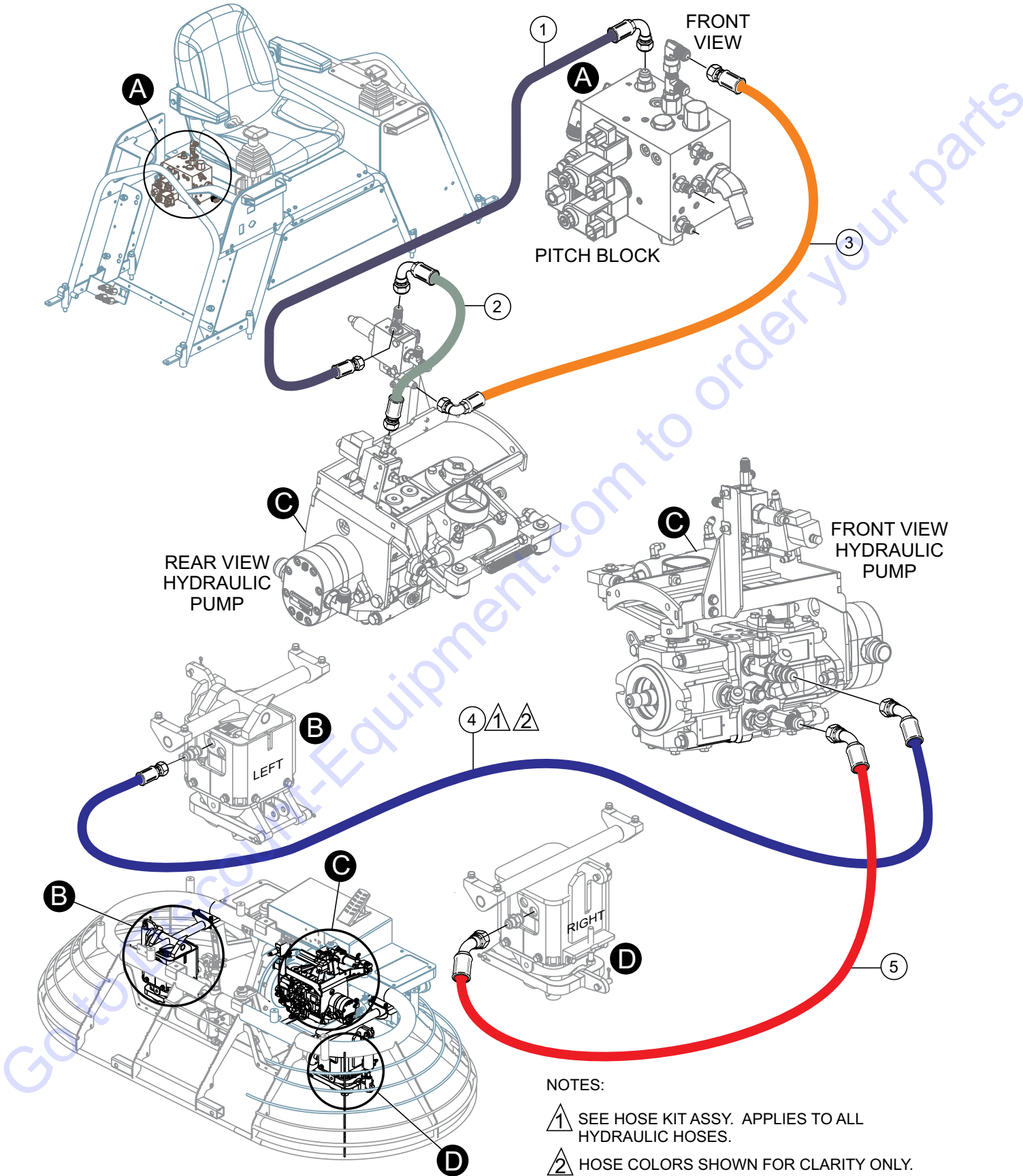
- ▲1 SEE HOSE KIT ASSY. APPLIES TO ALL HYDRAULIC HOSES.
- ▲2 HOSE COLORS SHOWN FOR CLARITY ONLY.

HYDRAULIC HOSE ASSY. (LH-RH STEERING VALVES #2)

<u>NO.</u>	<u>PART NO.</u>	<u>PART NAME</u>	<u>QTY.</u>	<u>REMARKS</u>
1	21695	HOSE ASM, 3/8 ID x 40.00" STR AND LG 90° ENDS	1	
2	21695	HOSE ASM, 3/8 ID x 40.00" STR AND LG 90° ENDS	1	
3	21771	HOSE ASM, 3/8 ID x 11.50" STR ENDS	1	
4	22694	HOSE ASM, 3/8 ID x 20.50" STR AND 90° ENDS	1	
5	22424	HOSE ASM, 3/4 ID x 38.00" MEGAVAC	1	

Go to Discount-Equipment.com to order your parts

HYD. HOSE ASSY. (PITCH BLOCK PORTS SP-T3/HYD. MOTOR)



HYD. HOSE ASSY. (PITCH BLOCK PORTS SP-T3/HYD. MOTOR)

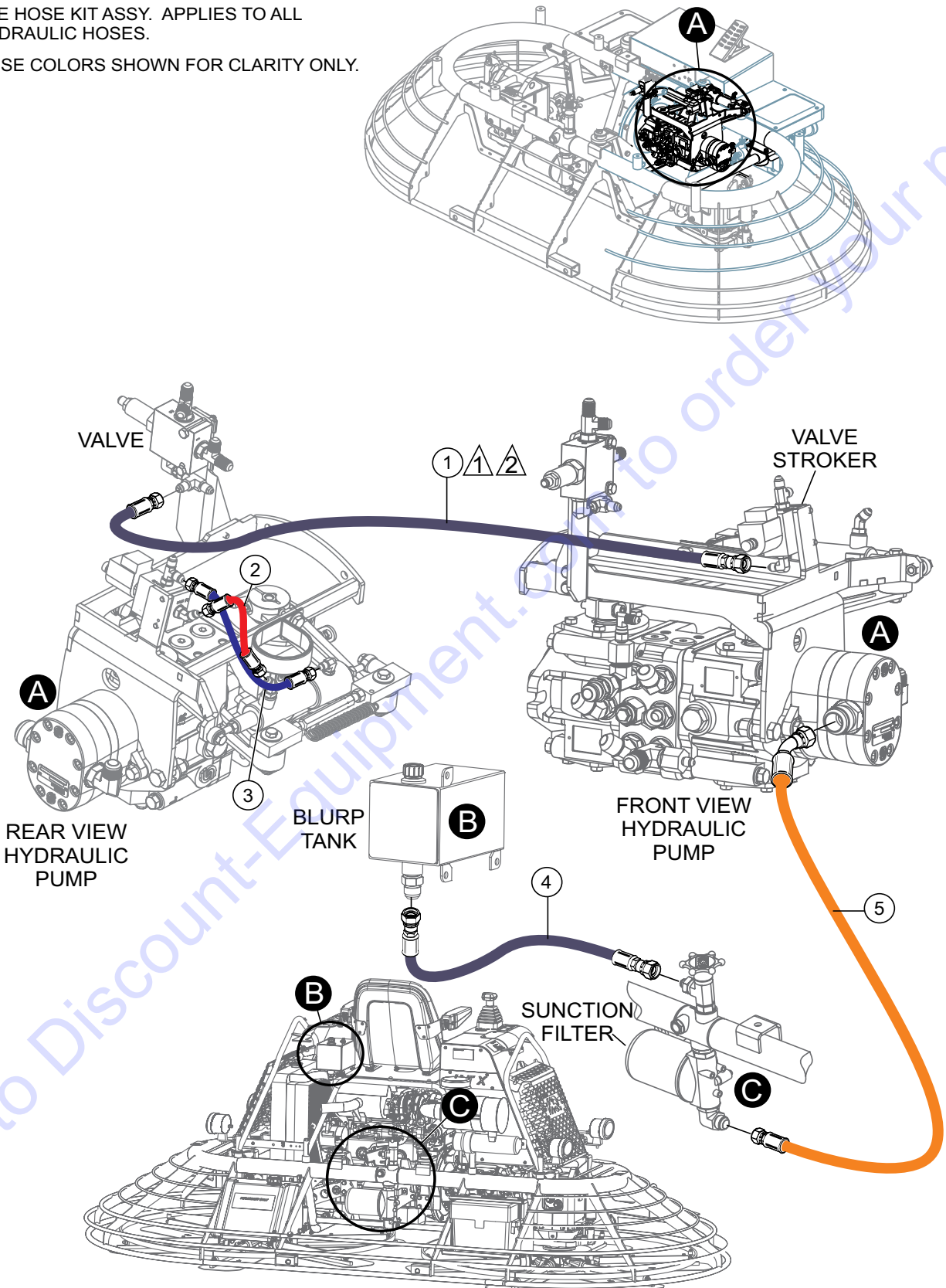
<u>NO.</u>	<u>PART NO.</u>	<u>PART NAME</u>	<u>QTY.</u>	<u>REMARKS</u>
1	22911	HOSE ASM, 3/8 ID x 23.00"-6STR AND-6 90°FJ ENDS	1	
2	22837	HOSE ASM, 1/4 ID x 13.5" STR AND 90° ENDS	1	
3	22477	HOSE ASM, 1/4 ID x 24" STR AND 90° ENDS	1	
4	22391	HOSE ASM, 5/8 ID x 55.50" STR AND 45°ENDS	1	
5	21102	HOSE ASM, 5/8 ID x 20.0"	1	

Go to Discount-Equipment.com to order your parts

HYD. HOSE ASSY. (BURP TANK/SUNCTION FILTER/VALVES)

NOTES:

- ① SEE HOSE KIT ASSY. APPLIES TO ALL HYDRAULIC HOSES.
- ② HOSE COLORS SHOWN FOR CLARITY ONLY.



HYD. HOSE ASSY. (BURP TANK/SUNCTION FILTER/VALVES)

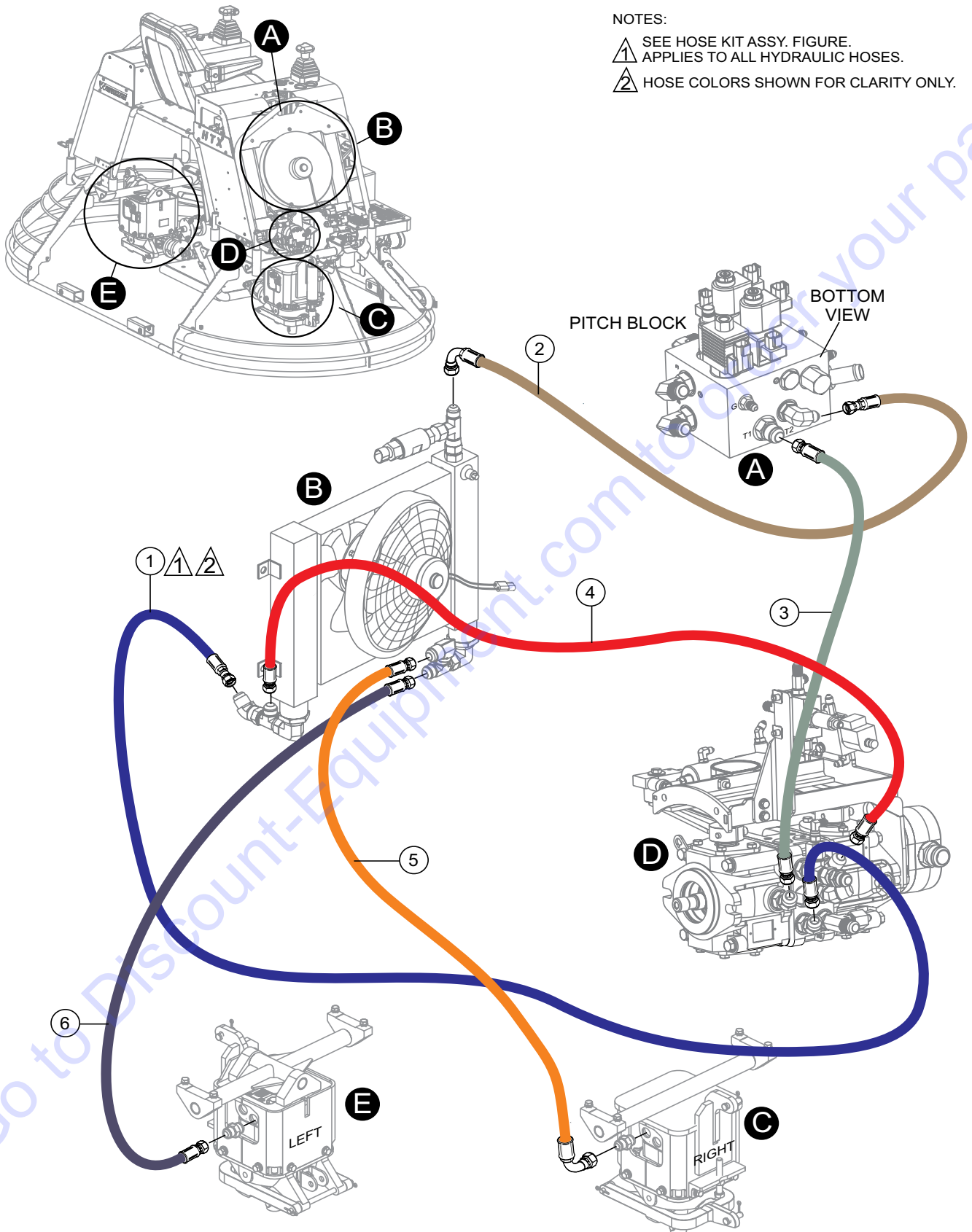
<u>NO.</u>	<u>PART NO.</u>	<u>PART NAME</u>	<u>QTY.</u>	<u>REMARKS</u>
1	22836	HOSE ASM, 1/4 ID x 11.0" STR AND 90° ENDS	1	
2	22476	HOSE ASM, 1/4 ID x 8.00" STR ENDS	1	
3	22475	HOSE ASM, 1/4 ID x 10.00" STR ENDS	1	
4	22430	HOSE ASM, 5/8 ID x 22.0" STR ENDS-PUSH LOC	1	
5	21816	HOSE ASM, 1.00" ID x 29.00" STR AND 45 ENDS	1	

Go to Discount-Equipment.com to order your parts

HYDRAULIC HOSE ASSY. (PITCH BLOCK/COOLER/ PUMP)

NOTES:

- ① SEE HOSE KIT ASSY. FIGURE.
APPLIES TO ALL HYDRAULIC HOSES.
- ② HOSE COLORS SHOWN FOR CLARITY ONLY.

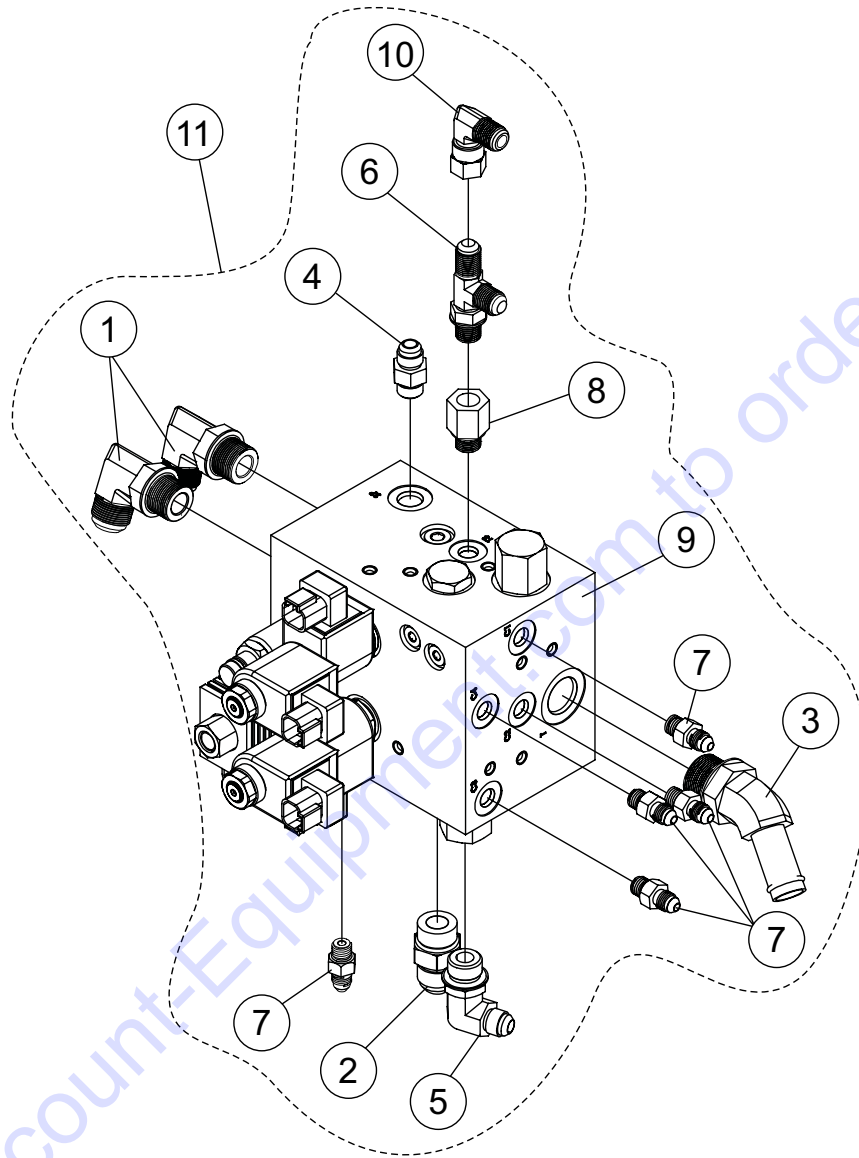


HYDRAULIC HOSE ASSY. (PITCH BLOCK/COOLER/ PUMP)

<u>NO.</u>	<u>PART NO.</u>	<u>PART NAME</u>	<u>QTY.</u>	<u>REMARKS</u>
1	22771	HOSE ASM, 5/8 ID x 19" STR ENDS	1	
2	22694	HOSE ASM, 3/8 ID x 20.50" STR&90° ENDS	1	
3	22425	HOSE ASM, 1/2 ID x 22.50" STR ENDS	1	
4	22771	HOSE ASM, 5/8 ID x 19" STR ENDS	1	
5	22392	HOSE ASM, 5/8 ID x 18.50" 12-90 AND 12FJ-STR END	1	
6	22390	HOSE ASM, 5/8 ID x 79.50"-12FJ STR ENDS	1	

Go to Discount-Equipment.com to order your parts

PITCH BLOCK ASSY. (FITTINGS)

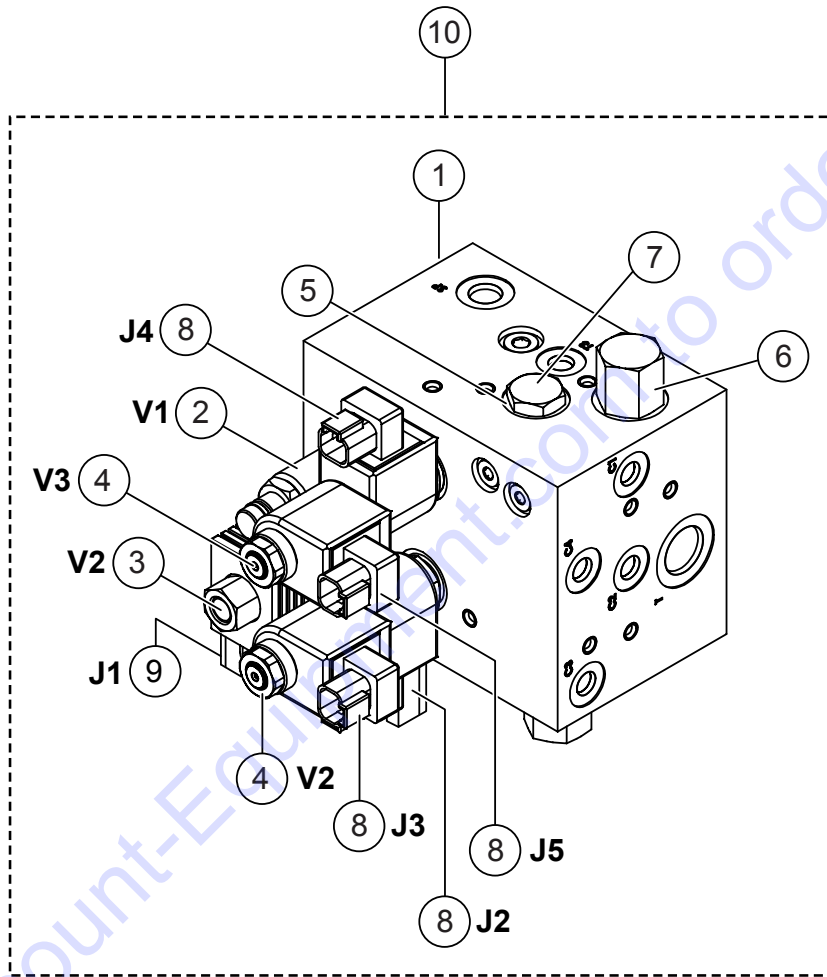


PITCH BLOCK ASSY. (FITTINGS)

<u>NO.</u>	<u>PART NO.</u>	<u>PART NAME</u>	<u>QTY.</u>	<u>REMARKS</u>
1\$	3322	FITTING, 90 10MJ-10MO	2	
2\$	3365	FITTING, STR 10MJ-10MO	1	
3\$	3366	FITTING, 45 12BARB-12MO	1	
4\$	11721	FITTING, STR 6MJ-6MO	1	
5\$	11723	FITTING, 90 6MJ-8MO	1	
6\$	12159	FITTING, TEE 6MJ-6MJ-6MO RUN	1	
7\$	21095	FITTING, STR 4MJ - 4MO	5	
8\$	21114	FITTING, STR 6FO-6MO	1	
9\$	22233	VALVE, ASSY., PITCH BLOCK	1	
10\$	26798	FITTING, 90 6MJ-6FJ	1	
11	22860	PITCH BLOCK ASSY.....	1.....	INCLUDES ITEMS W/ \$

Go to Discount-Equipment.com to order your parts

PITCH BLOCK ASSY. (VALVES)

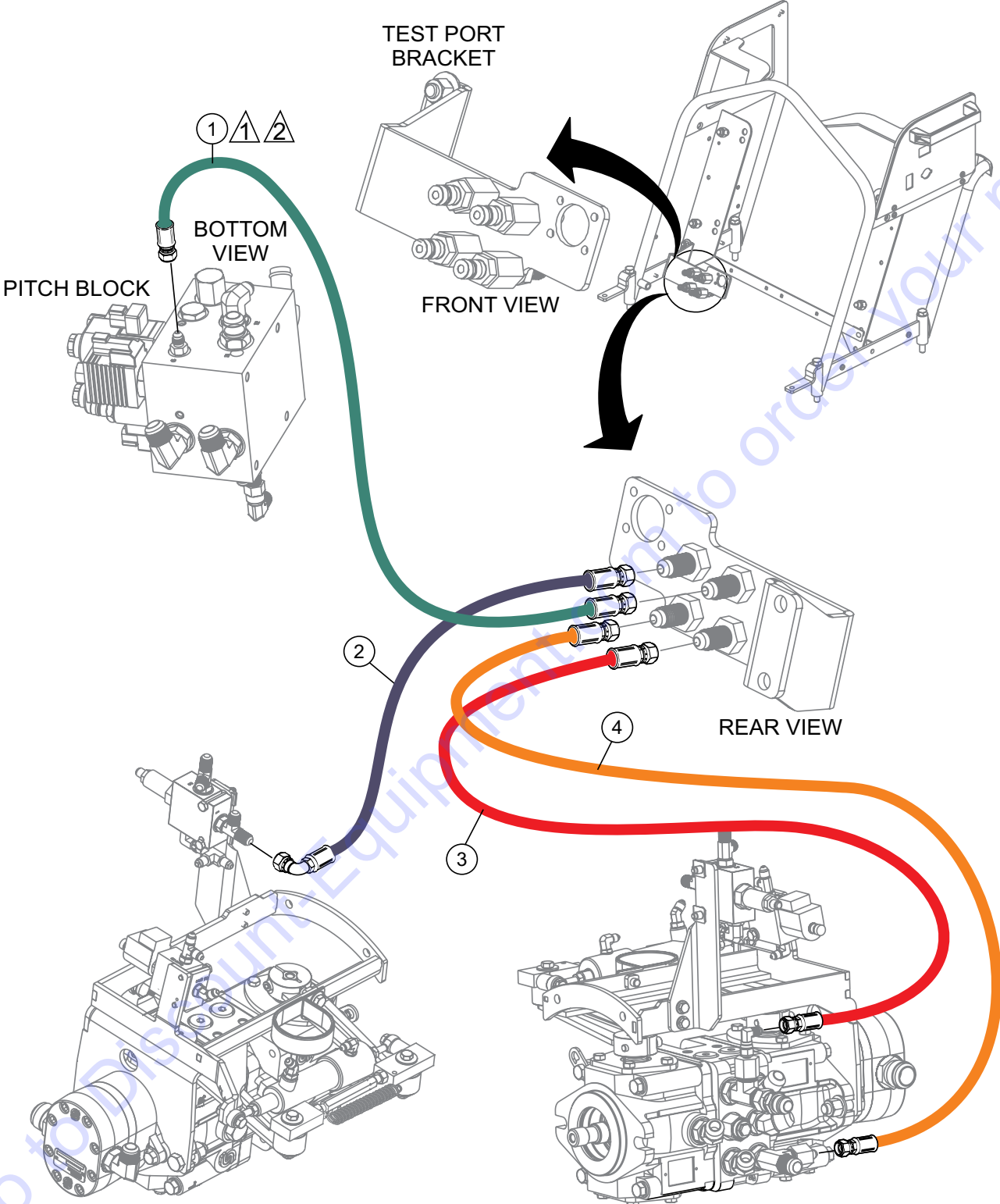


PITCH BLOCK ASSY. (VALVES)

<u>NO.</u>	<u>PART NO.</u>	<u>PART NAME</u>	<u>QTY.</u>	<u>REMARKS</u>
1\$		BODY	1.....	NOT SERVICED SEPARATELY
2\$	22233-7	RELIEF VALVE	1	
3\$	22233-1	BYPASS VALVE	1	
4\$	22233-3	PITCH VALVE	2	
5\$	22233-5	CHECK VALVE	2	
6\$	22233-6	FLOW CONTROL VALVE	2	
7\$		PISTON.....	2.....	NOT SERVICED SEPARATELY
8\$	22233-4	SOLENOID, PITCH VALVE	4	
9\$	22233-2	SOLENOID, BYPASS VALVE	1	
10	22233	PITCH BLOCK ASSY.....	1.....	INCLUDES ITEMS W/\$

Go to Discount-Equipment.com to order your parts

HYDRAULIC TEST PORT HOSES ASSY.



NOTES:

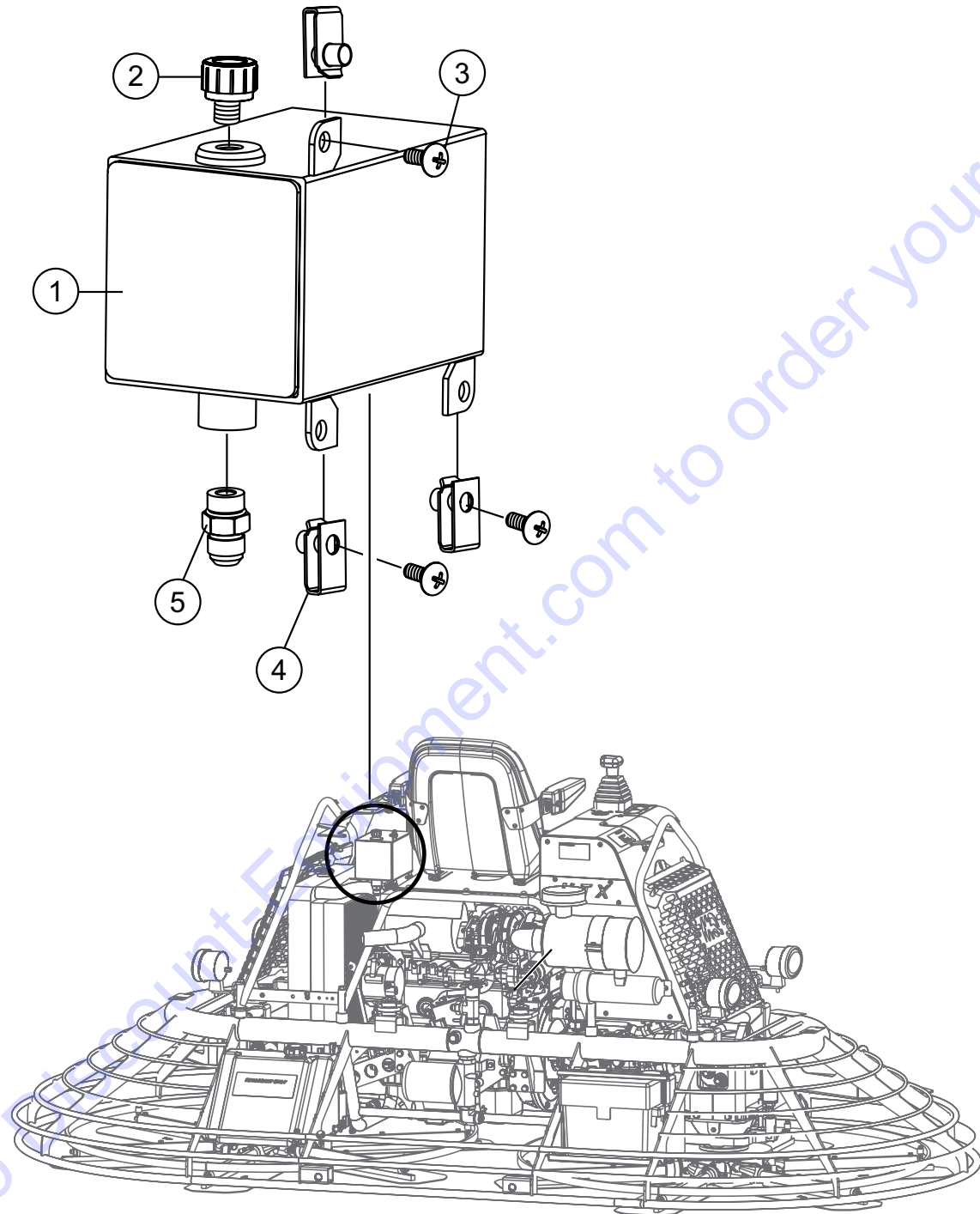
- ① SEE HOSE KIT ASSY. APPLIES TO ALL HYDRAULIC HOSES.
- ② HOSE COLORS SHOWN FOR CLARITY ONLY.

HYDRAULIC TEST PORT HOSES ASSY.

<u>NO.</u>	<u>PART NO.</u>	<u>PART NAME</u>	<u>QTY.</u>	<u>REMARKS</u>
1	22478	HOSE ASM, 1/4 ID x 22.50" STR ENDS	1	
2	22838	HOSE ASM, 1/4 ID x 22.0" STR AND 90° ENDS	1	
3	22394	HOSE ASM, 1/4 ID x 16.25" STR ENDS	1	
4	22394	HOSE ASM, 1/4 ID x 16.25" STR ENDS	1	

Go to Discount-Equipment.com to order your parts

BURP TANK ASSY.

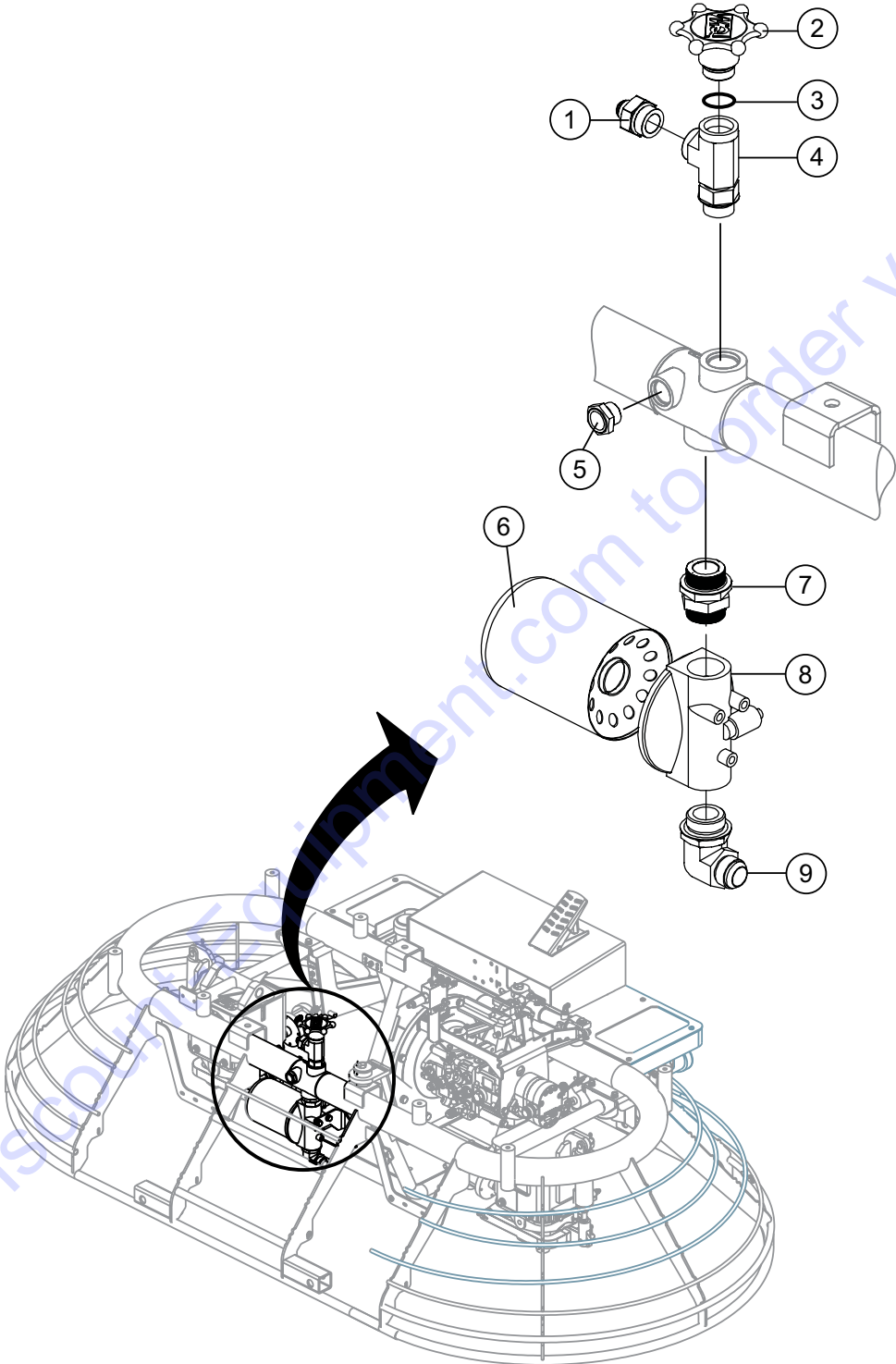


BURP TANK ASSY.

<u>NO.</u>	<u>PART NO.</u>	<u>PART NAME</u>	<u>QTY.</u>	<u>REMARKS</u>
1	22444	TANK, W/A, HYD BURP	1	
2	21513	BREATHER, FILTER 10 MICRON 1/4MP	1.....	PLASTIC
3	12287	SCREW, THP 1/4-20 X 3/4" SS	3	
4	11534	NUT, "U" TYPE, 1/4-20	3	
5	3365	FITTING, STR 10MJ-10MO	1	

Go to Discount-Equipment.com to order your parts

SUCTION FILTER ASSY.

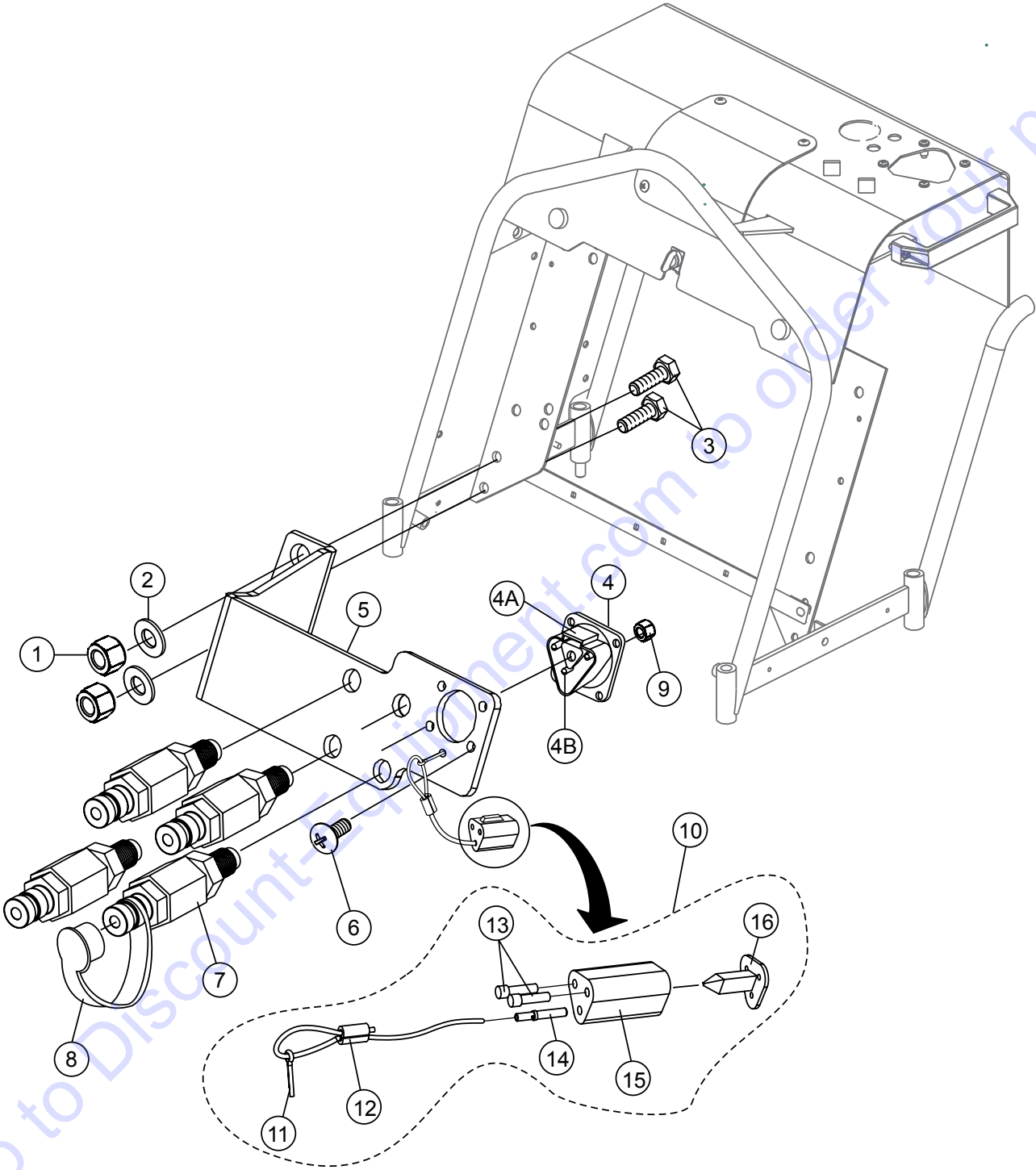


SUCTION FILTER ASSY.

<u>NO.</u>	<u>PART NO.</u>	<u>PART NAME</u>	<u>QTY.</u>	<u>REMARKS</u>
1	22116	FITTING, STR 10MJ -16MO	1	
2	21400	PLUG, HYDRAULIC HAND WHEEL	1	
3	21406	O-RING, SIZE-16 BUNA-N 90	1	
4	22115	FITTING, TEE 16MO -16FO -16FO	1	
5	21109	SIGHT GLASS ,DASH 12 ORB STEEL	1	
6	22371	FILTER, SUCTION 5" 10 MICRON SYN LHA	1	
7	21407	FITTING, STR 20MO-20MO ADJ	1	
8	22370	HOUSING, FILTER LHA SP50S*DN2	1	
9	21814	FITTING, 90 16MJ-20MO	1	

Go to Discount-Equipment.com to order your parts

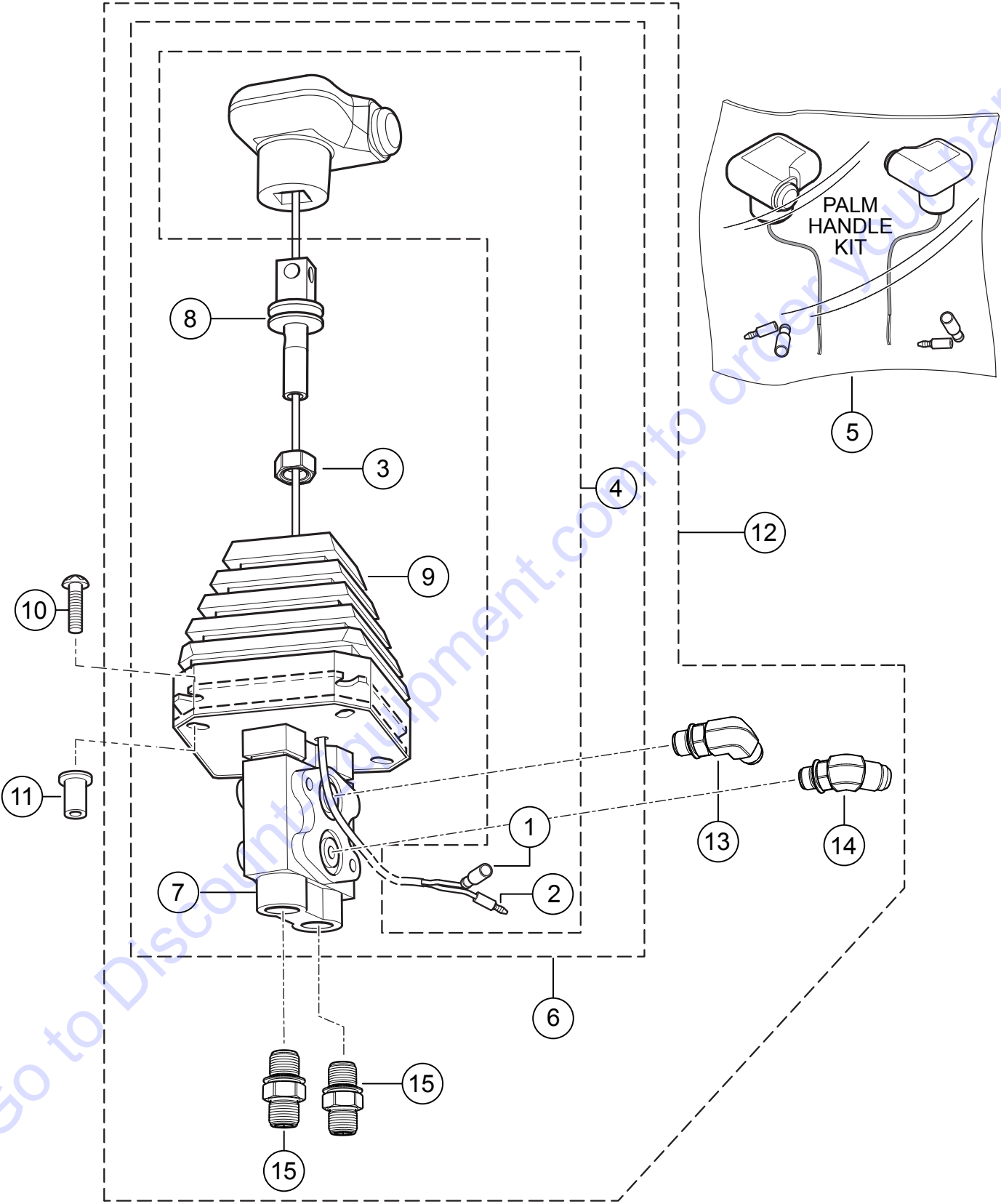
TEST PORT ASSY.



TEST PORT ASSY.

<u>NO.</u>	<u>PART NO.</u>	<u>PART NAME</u>	<u>QTY.</u>	<u>REMARKS</u>
1	10133	NUT, NYLOC 3/8-16	2	
2	10136	WASHER, FLAT SAE 3/8	2	
3	0205	SCREW, HHC 3/8-16 X 1.0	4	
4	22815	RECEPTACLE, RES. 120 OHM, DEUTSCH 3 POS.	1	
4A	22814	PLUG, SERVICE PORT, DEUTSCH 3 POS.	1	
4B	22812	CAP, SERVICE PORT, DEUTSCH, DTM 12 POS.	1	
5	22450	MOUNT, GAUGE PORT	1	
6	15175	SCREW, PHP 8-32 X 3/4"	4	
7	22789	FITTING, SERVICE PORT, 4MJ BLK-HEAD	4	
8	12148	CAP, DUST DIAG PARKER PD6-285	4	
9	13287	NUT, NYLOC 8-32	4	
10	23913	LANYARD, 3-WAY PLUG, DT SERIES.....	1	INCLUDES ITEMS W/#
11#	5117	PIN, COTTER 1/16" D x 1/2"	1	
12#	23914	LANYARD, .0625 DIA GALVANIZED WIRE	1	
13#	EE37935	PLUG, SEALING INDUST CONN. # 12 &16	2	
14#	EE37738	PIN, CONTACT SOCKET SIZE 16	1	
15#	23912	PLUG, 3 WAY, DT SERIES	1	
16#	EE37737	WEDGE LOCK, 3-PIN PLUG, DT SERIES	1	

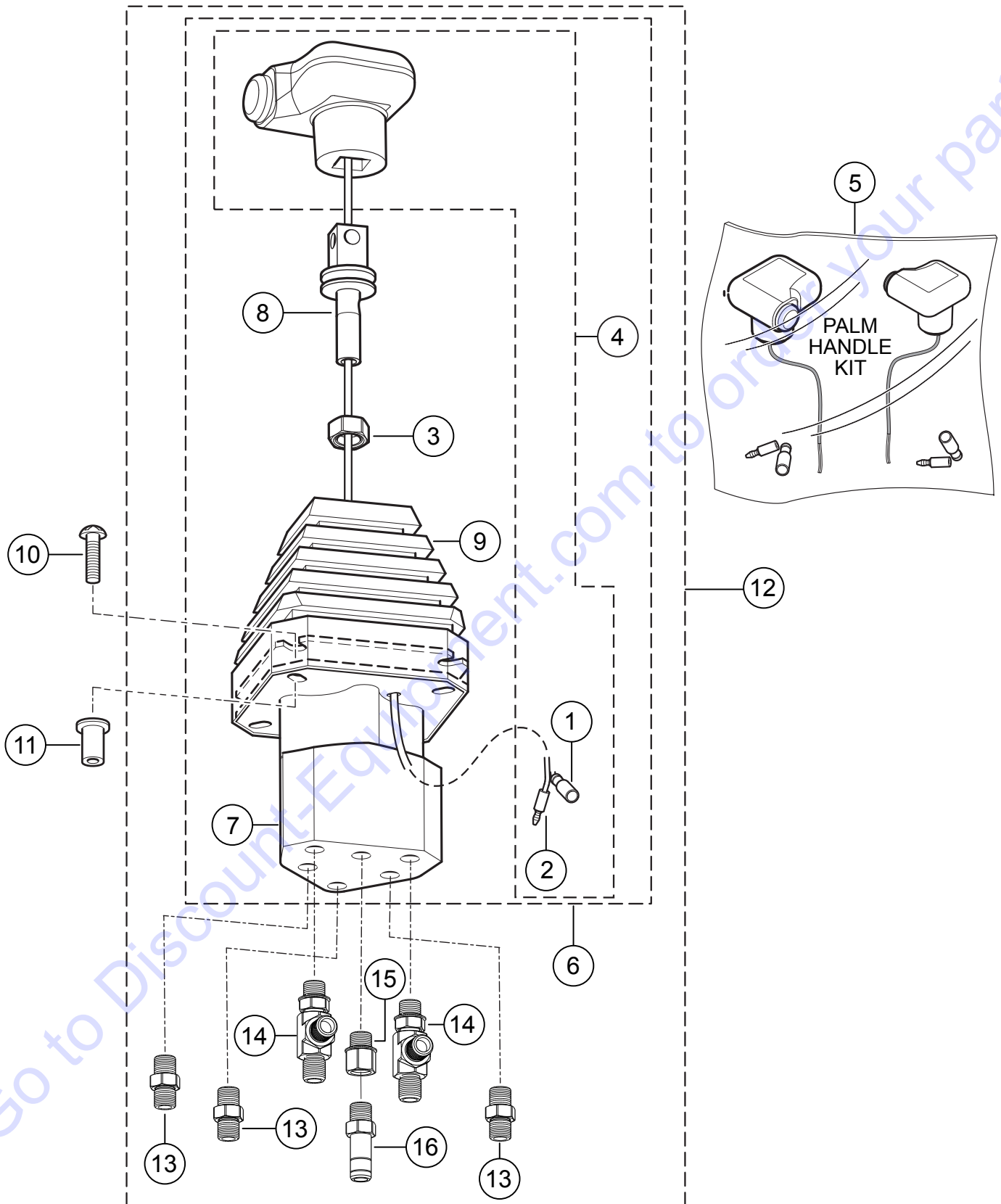
LEFT-HAND VALVE ASSY.



LEFT-HAND VALVE ASSY.

<u>NO.</u>	<u>PART NO.</u>	<u>PART NAME</u>	<u>QTY.</u>	<u>REMARKS</u>
1#%	1318	TERMINAL, BULLET, FEM, 18-22	1	
2#%	4692	TERMINAL, BULLET, MALE, 14-16	1	
3#%	16083	NUT, HEX M12-1.75 NO PLATE	1	
4#%	20150	HANDLE, PALM W/SWITCH, LEFT.....	1	INCLUDES ITEMS W/\$
5	20165	KIT, PALM HNDL W/TOGGLE SWITCH	1	
6%	20831	VALVE, LH STRG W/SWITCH ASSY.....	1	INCLUDES ITEMS W/#
7#%	20833	VALVE, LH STEERING	1	
8#%	21053	ADAPTOR, LH PALM HANDLE	1	
9#%	21631	BOOT, STEERING HANDLE	1	
10	12287	SCREW, THP 1/4-20 X 3/4" SS	4	
11	19266	NUT, BLIND 1/4-20 X .027-.165	4	
12	22862	VALVE ASSY., HYD, LH STEERING.....	1	INCLUDES ITEMS W/%
13%	11722	FITTING, 90° 6MJ-6MO	1	
14%	11780	FITTING, 45° 6MJ-6MO	1	
15%	11721	FITTING, STR 6MJ-6MO	2	

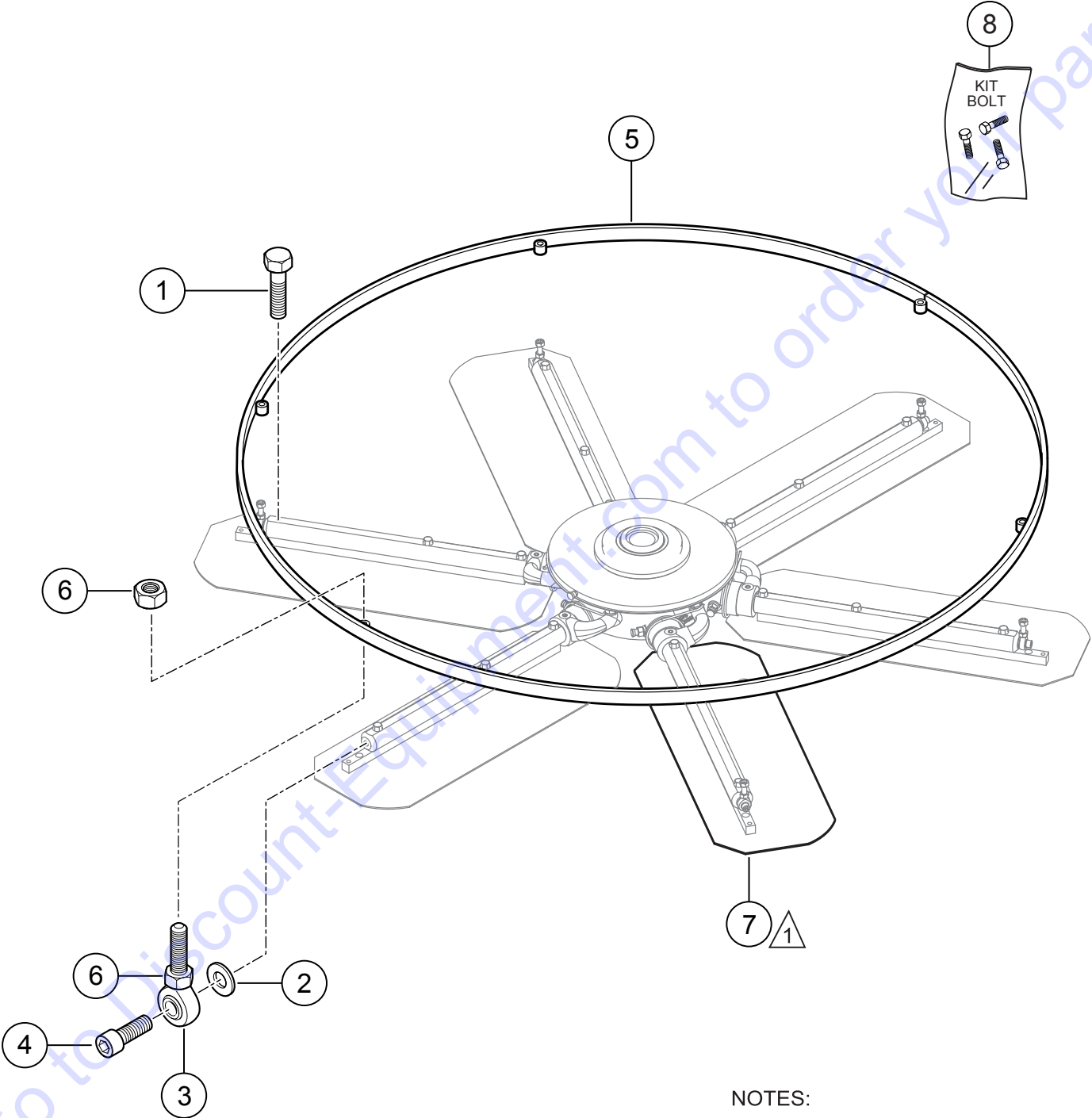
RIGHT-HAND VALVE ASSY.



RIGHT-HAND VALVE ASSY.

<u>NO.</u>	<u>PART NO.</u>	<u>PART NAME</u>	<u>QTY.</u>	<u>REMARKS</u>
1#%	1318	TERMINAL, BULLET, FEM, 18-22	1	
2#%	4692	TERMINAL, BULLER, MALE, 14-16	1	
3#%	16083	NUT, HEX M12-1.75 NO PLATE	1	
4#%	20155	KIT, PALMHANDLE RGHT, W/SWITCH.....	1	INCLUDES ITEMS W/\$
5	20165	KIT, PALM HNDL W/TOGGLE SWITCH	1	
6%	20829	VALVE, RH STEERING W/SWITCH ASSY.....	1	INCLUDES ITEMS W/#
7#%	20832	VALVE, RH STEERING	1	
8#%	20834	ADAPTER, PALM HANDLE	1	
9#%	21631	BOOT, STEERING HANDLE	1	
10	12287	SCREW, THP 1/4-20 x 3/4" SS	4	
11	19266	NUT, BLIND 1/4-20 X .027-.165	4	
12	22861	VALVE ASSY., HYD, RH STEERING.....	1	INCLUDES ITEMS W/%
13%	11721	FITTING, STR 6MJ-6MO	3	
14%	12159	FITTING, TEE 6MJ-6MJ-6MO RUN	2	
15%	21114	FITTING, STR 6FO-6MO	1	
16%	21115	FITTING, STR 6MJ-6MO LONG	1	

STABILIZER ASSY.



NOTES:

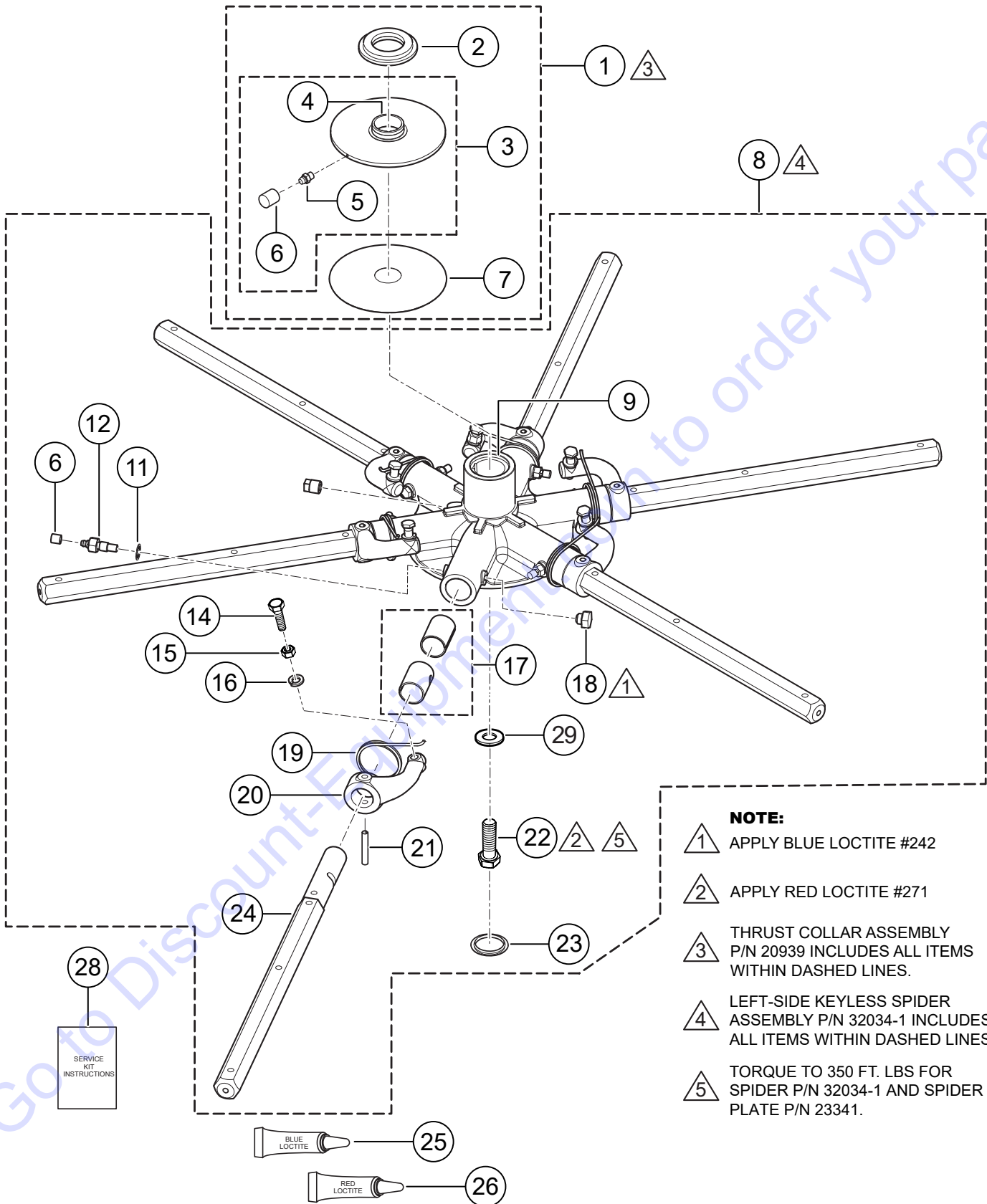
\triangle 1 TO PURCHASE BLADES
CONTACT UNIT SALES DEPT.

STABILIZER ASSY.

<u>NO.</u>	<u>PART NO.</u>	<u>PART NAME</u>	<u>QTY.</u>	<u>REMARKS</u>
1@	22174	SCREW, HHFS 5/16-18 X 1-3/4 GR5	38	
2	0300 B	WASHER, FLAT SAE 5/16"	12	
3	1723	ROD END 5/16-24 MALE RH	12	
4	1237	SCREW, SHC 5/16-18 X 7/8" NYLOC	12	
5	32031	RING, STABILIZER W/A 6 BLD	2	
6	6014 C	NUT, HEX FINISH 5/16-24	24	
7		BLADE ASSY.....	12	CONTACT DISCOUNT-EQUIPMENT
8	23642	KIT, BOLT SAE BLADE.....	1	INCLUDES ITEM W/@

Go to Discount-Equipment.com to order your parts

6-BLADE SPIDER ASSY. (LEFT-SIDE)



NOTE:

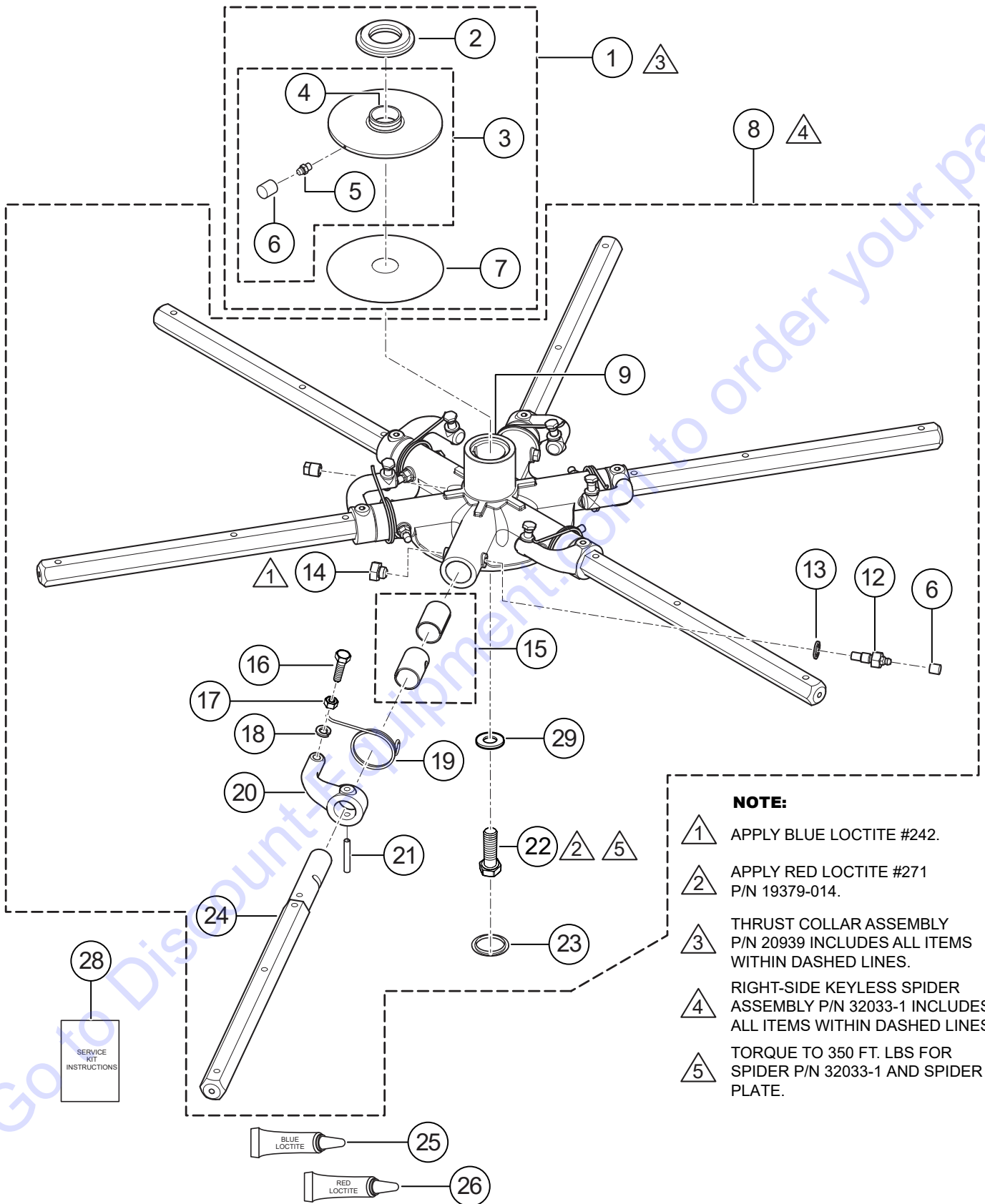
- 1 △ APPLY BLUE LOCTITE #242
- 2 △ APPLY RED LOCTITE #271
- 3 △ THRUST COLLAR ASSEMBLY P/N 20939 INCLUDES ALL ITEMS WITHIN DASHED LINES.
- 4 △ LEFT-SIDE KEYLESS SPIDER ASSEMBLY P/N 32034-1 INCLUDES ALL ITEMS WITHIN DASHED LINES.
- 5 △ TORQUE TO 350 FT. LBS FOR SPIDER P/N 32034-1 AND SPIDER PLATE P/N 23341.

6-BLADE SPIDER ASSY. (LEFT-SIDE)

<u>NO.</u>	<u>PART NO.</u>	<u>PART NAME</u>	<u>QTY.</u>	<u>REMARKS</u>
1	20939	THRUST COLLAR ASSY.....	1.....	INCLUDES ITEMS W/@
2@	12779	BEARING, THRUST 6017 2 RS. W/FLANGE	1	
3@	12315	THRUST COLLAR W/BUSHING	1.....	INCLUDES ITEMS W/\$
4@\$	12316	BUSHING, THRUST COLLAR	1	
5@	2621	ZERK, GREASE STR 1/4-28	1	
6#@	1162 A	CAP, GREASE ZERK #2	7	
7@	12250	PLATE, WEAR	1	
8	32034-1	SPIDER ASSY., TAPERED, LS SILVER	1.....	INCLUDES ITEMS W/#
9#	23341	SPIDER, 6 BLD TAPERED SPIDER KIT	1.....	INCLUDES ITEMS W/%
10#	0121 A	FITTING, PLUG 3/8 MP SQ HEAD	1	
11#	1875	WASHER, INT. SHKP. 3/8	6	
12#	1322	SCREW, RETAINING	6	
14#	21031	SCREW, HHC RND"7/16-14 UNC SPCL GR8	6	
15#	07034-007	NUT, HEX JAM 7/16-14	6	
16#	2955	WASHER, LOCK 7/16 MED	6	
17#	11039	BUSHING, ARM 2 PIECE	12	
18#%	11602	SCREW, HHC 3/8-16 X 1/4	6	
19#	9111	SPRING, LS ARM RETURN, SMALL BOSS	6	
20#	21049-1	LEVER, TROWEL ARM, LS SILVER	6	
21#	32045	PIN, COILED SPRING 5/16-2.00"	6	
22#%	32788	SCREW, HHC 3/4-16 X 2-1/4" GRD 8	1	
23#%	20121	PLUG, SPIDER SNAP IN	1	
24#	2829-1	ARM, TROWEL, HD EXTENDED SILVER	6	
25#%	1477	LOCTITE 242 BLUR .5CC	1	
26#%	19379-014	LOCTITE 271 RED, ANAEROBIC	1	
28%	23342	INSTRUCTIONS, TAPERED SPIDER KIT	1.....	TO OBTAIN COPY SEE BELOW
29#%	933247	WASHER, FLAT SAE 3/4 GRD9	1	

TO OBTAIN A COPY OF INSTRUCTIONS P/N 32771 GO TO DISCOUNT-EQUIPMENT

6-BLADE SPIDER ASSY. (RIGHT-SIDE)



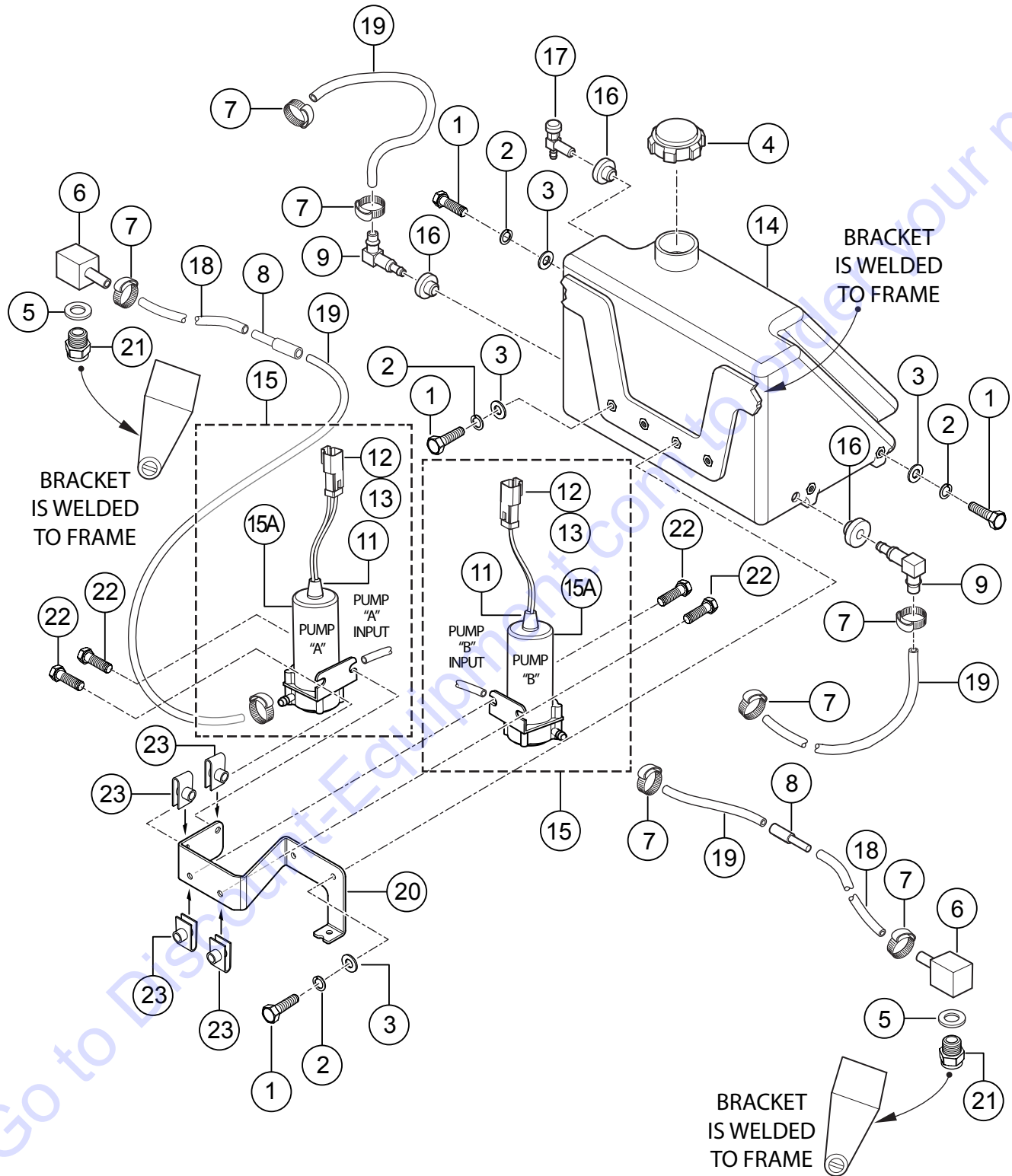
NOTE:

- ▲ 1 APPLY BLUE LOCTITE #242.
- ▲ 2 APPLY RED LOCTITE #271 P/N 19379-014.
- ▲ 3 THRUST COLLAR ASSEMBLY P/N 20939 INCLUDES ALL ITEMS WITHIN DASHED LINES.
- ▲ 4 RIGHT-SIDE KEYLESS SPIDER ASSEMBLY P/N 32033-1 INCLUDES ALL ITEMS WITHIN DASHED LINES.
- ▲ 5 TORQUE TO 350 FT. LBS FOR SPIDER P/N 32033-1 AND SPIDER PLATE.

6-BLADE SPIDER ASSY. (RIGHT-SIDE)

<u>NO.</u>	<u>PART NO.</u>	<u>PART NAME</u>	<u>QTY.</u>	<u>REMARKS</u>
1	20939	THRUST COLLAR ASSY.....	1.....	INCLUDES ITEMS W/@
2@	12779	BEARING, THRUST 6017 2 RS W/FLANGE.....	1	
3@	12315	THRUST COLLAR W/BUSHING	1.....	INCLUDES ITEM W/\$
4@\$	12316	BUSHING, THRUST COLLAR	1	
5@	2621	ZERK, GREASE ZERK #2	6	
6#@	1162 A	CAP, GREASE ZERK #2	7	
7@	12250	PLATE, WEAR	1	
8	32033-1	SPIDER ASSY. , TAPERED RS..SILVER.....	1.....	INCLUDES ITEMS W/#
9#	23341	SPIDER, 6 BLD TAPERED SPIDER KIT	1.....	INCLUDES ITEMS W/%
12#	1322	SCREW, RETAINING	6	
13#	1875	WASHER, INT. SHKP. 3/8	6	
14#%	11602	SCREW, HHC 3/8-16 X 1/4	6	
15#	11039	BUSHING ARM 2 PIECE	12	
16#	21031	SCREW, HHC RND' 7/16-14 UNC SPCL GR8	6	
17#	07034-007	NUT, HEX JAM 7/16-14	6	
18#	2955	WASHER, LOCK, 7/16 MED.	6	
19#	2143	SPRING, RS ARM RETURN, SMALL BOSS	6	
20#	21050-1	LEVER, TROWEL ARM HYD. RS. SILVER	6	
21#	32045	PIN, COILED SPRING 5/16 X 2	6	
22#%	32788	SCREW, HHC 3/4-16 X 2-1/4" GRD 8	1	
23	20121	PLUG, SPIDER SNAP IN	1	
24#	2829-1	ARM, TROWEL, 6 BLADE SILVER	6	
25#%	1477	LOCTITE 242 BLUE .5CC	AR	
26#%	19379-014	LOCTITE 271 RED, ANAEROBIC	AR	
28#%	23342	INSTRUCTIONS, TAPERED SPIDER KIT	1.....	TO OBTAIN COPY SEE BELOW
29#%	933247	WASHER, FLAT SAE 3/4 GRD 9YZ	1	

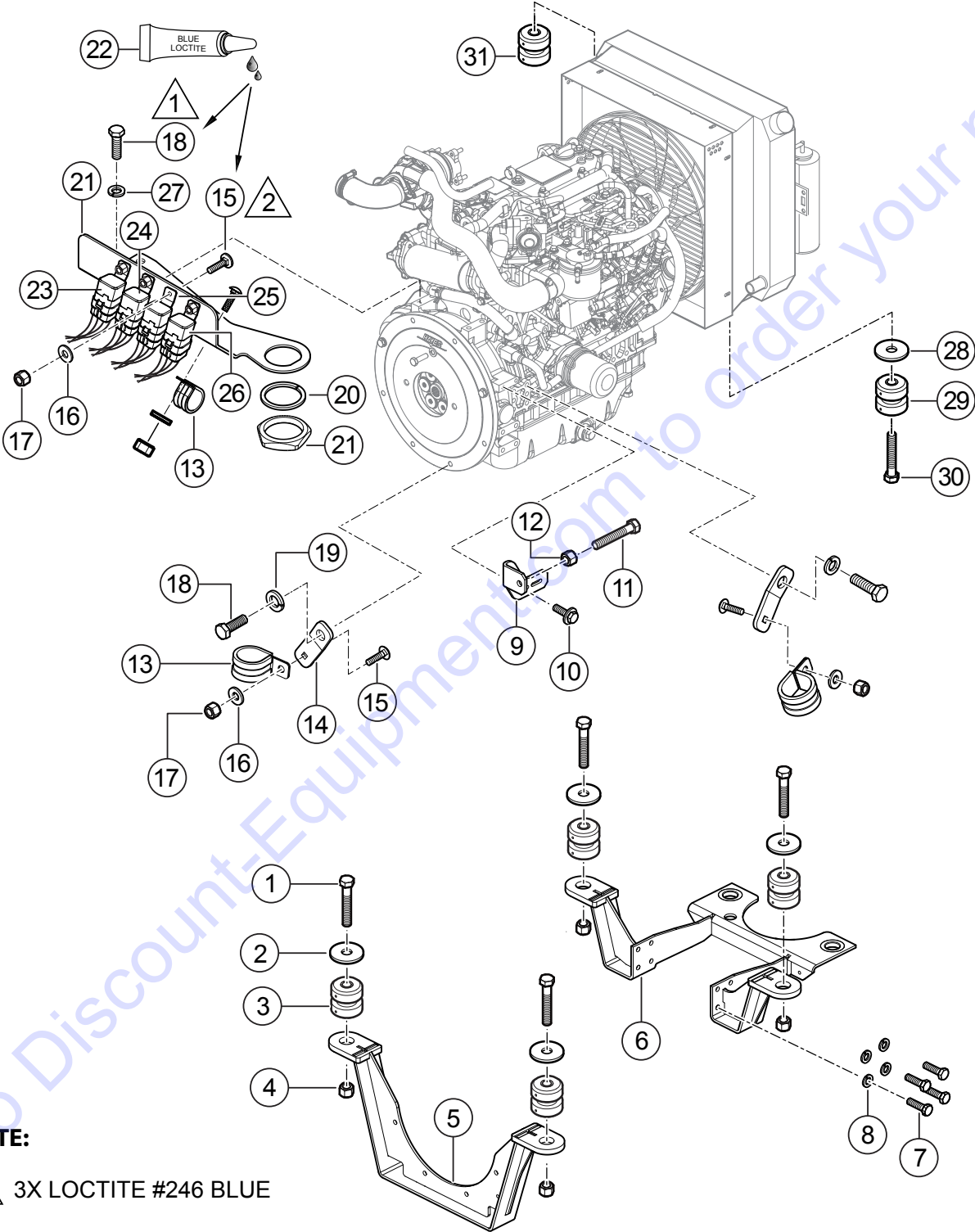
SPRAY ASSY.



SPRAY ASSY.

<u>NO.</u>	<u>PART NO.</u>	<u>PART NAME</u>	<u>QTY.</u>	<u>REMARKS</u>
1	0131 A	SCREW, HHC 1/4-20 X 3/4"	6	
2	0181 B	WASHER, LOCK 1/4" MED	6	
3	0948	WASHER, FLAT 1/4" SAE	6	
4	2108	CAP, SPRAY TANK	1	
5	2898	WASHER, ROUNDED NEOPRENE 1" X 1/2"	2	
6	2912	FITTING 90°	2	
7	2918	CLAMP HOSE .475-.536 ID	8	
8	10022	FITTING, PLASTIC-TEE 1/4" BARB	2	
9	29677	FITTING, 90° FUEL	2	
11#	12171	SEAL, WPACK 16-18 (GRN)	4	
12#	12176	CONNECTOR, WEATHERPACK 2 MALE PIN	2	
13#	12179	TERMINAL, WEATHERPACK MALE 14-16 GA	4	
14	12403	TANK	1	
15	23434	PUMP, SPRAY W/CONNECTORS.....	2.....	INCLUDES ITEMS W/ #
15A#	12548	PUMP, SPRAY	2	
16	19633	BUSHING, RUBBER FUEL	5	
17	19661	VALVE, DRAIN	1	
18	60001	HOSE, .25ID X .375OD TYGON 7FT 5IN.....	8.....	1PC=1FT
19	60002	HOSE, .375ID X .5OD TYGON 4FT 3IN.....	5.....	1PC=1FT
20	22449	MOUNT, SPRAY PUMP	1	
21	392292	NOZZLE, SPRAY2	2	
22	923203	SCREW, SHC 1/4-20 X 3/4"	4	
23	11534	NUT, "U" TYPE, 1/4--20	4	

ENGINE MOUNTING ASSY.



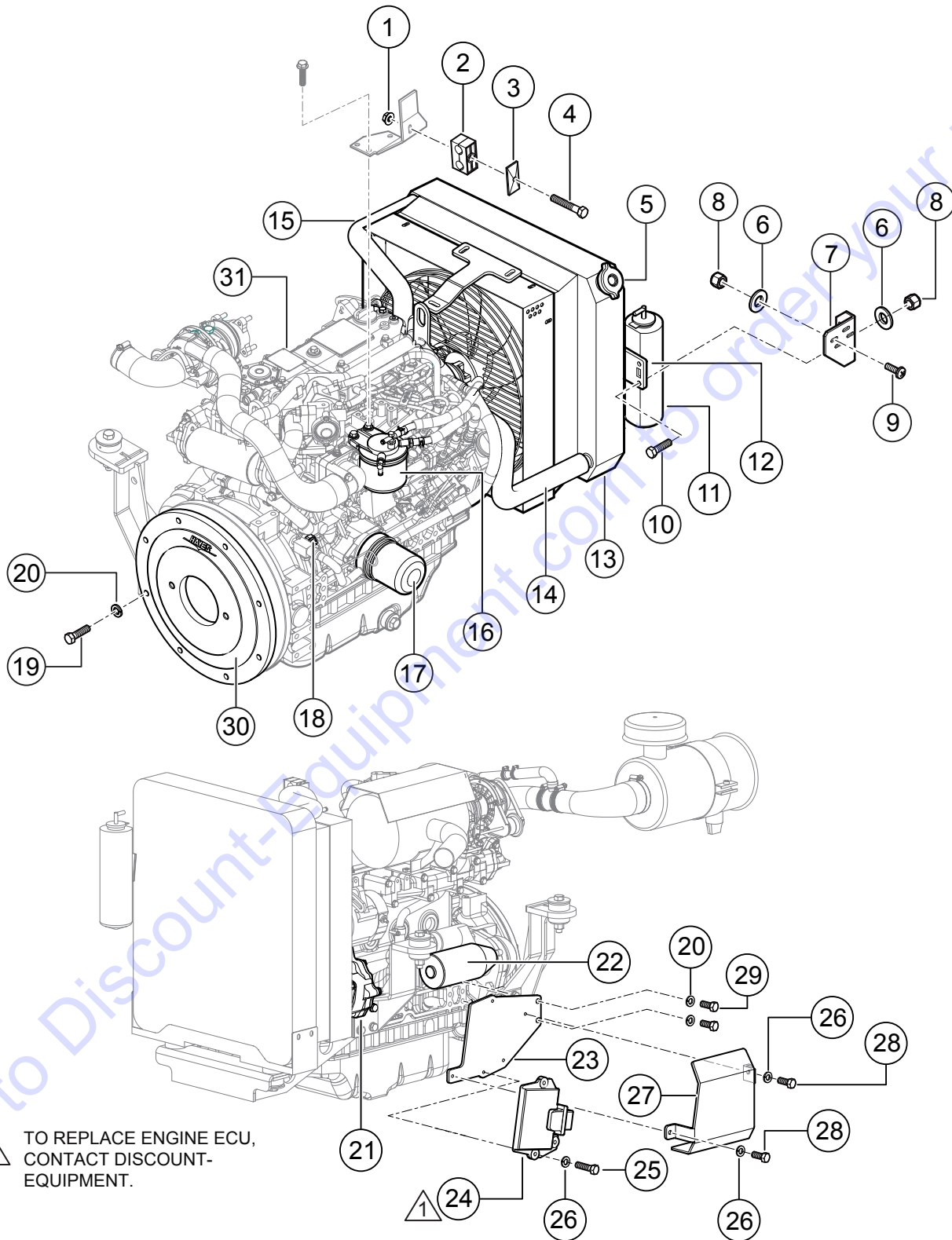
NOTE:

- ▲ 1 3X LOCTITE #246 BLUE
- ▲ 2 8X LOCTITE #246 BLUE

ENGINE MOUNTING ASSY.

<u>NO.</u>	<u>PART NO.</u>	<u>PART NAME</u>	<u>QTY.</u>	<u>REMARKS</u>
1	2549	SCREW, HHC 1/2-13 X 3"	4	
2	20743	WASHER, ISO SNUB KROFUND	4	
3	20742	ISOLATOR, RB2 RING/BUSHING	4	
4	10176	NUT, NYLOC 1/2-13	4	
5	22339	MOUNT, REAR ENGINE	1	
6	22311	MOUNT, FRONT ENGINE	1	
7	16056	SCREW, HHC M10-1.5 X 25MM GRD 8.8	10	
8	2955	WASHER, LOCK 7/16" ZINC	16	
9	22696	STOP, PUMP STROKER	1	
10	22021	SCREW, HEX FLG M8-1.25 X 20MM GR10.9	2	
11	20473	SCREW, HHC 3/8-16 X 3" FULL THRD GRD	1	
12	1456	NUT, HEX FINISH 3/8-16	1	
13	79000511	CLAMP, LOOP CUSHIONED #16 0.25 HOLE	4	
14	23872	BRACKET, ADAPTER	2	
15	22131	BOLT, CARRIAGE 10-32 X 3/4" ZINC	8	
16	2203	WASHER, FLAT #10	8	
17	10019	NUT, NYLOC 10-32	8	
18	16056	SCREW, HHC M10-1.5 X 25MM GRD 8.8	14	
19	23901	NUT, PANEL, DEUTSCH 24	1	
20	23902	LOCKWASHER, PANEL	1	
21	23871	MOUNT, ENGINE HARNESS	1	
22	60097	LOCTITE, #246 BLUE	AR	
23	32096	RELAY, ENGINE, SUB.....	1	REPLACES P/N 32097
24	32096	RELAY, ENGINE, MAIN	1	
25	32094	RELAY, ENGINE, PRE-HEAT	1	REPLACES P/N 32095
26	32094	RELAY, ENGINE. STARTER	1	
27	0948	WASHER, FLAT, SAE, 1/4"	4	
28	64700096	WASHER, 1/2" x 2"D	2	
29	68800002	ISOLATORS, RADIATOR, MOUNT	2	
30	64900093	SCREW, 1/2-13 X 2-3/4"	2	
31	68800001	ISOLATOR	1	

ENGINE COMPONENTS AND RADIATOR ASSY.



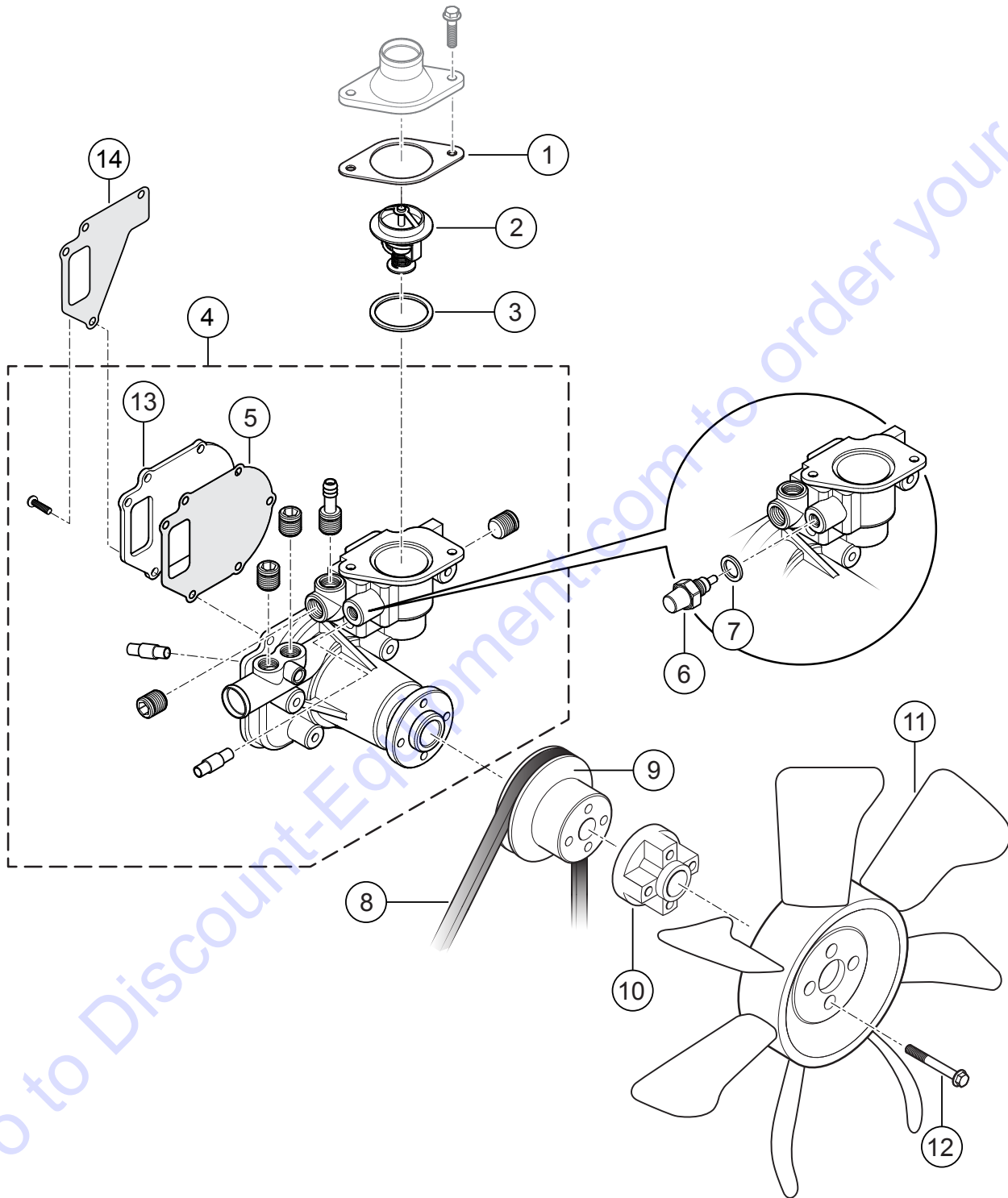
ENGINE COMPONENTS AND RADIATOR ASSY.

<u>NO.</u>	<u>PART NO.</u>	<u>PART NAME</u>	<u>QTY.</u>	<u>REMARKS</u>
1	49071	NUT, FLANGED 5/16-18 SERRATED PLTD	1	
2	20913	CLAMP, 0.75 OD TUBE STAUFF	1	
3	20912	COVER, 0.75 OD TUBE STAUFF	1	
4	06500-020	SCREW, HHC 5/16-18 X 2-1/2"	1	
5	69300001	RADIATOR CAP	1	
6	0948	WASHER, FLAT SAE 1/4"	4	
7	21947	BRACKET, RAD. BOTTLE MOUNT	1	
8	10024	NUT, NYLOC 1/4-20	4	
9	12287	SCREW, THP 1/4-20 X 3/4" SS	2	
10	0131 A	SCREW, HHC 1/4-20 X 3/4"	2	
11	12125244510	SUB RESEVOIR	1	
12	12125644600	BRACKET, RADIATOR BOTTLE	1	
13	79000511	RADIATOR	1	
14	68900480	HOSE, RADIATOR LOWER	1	
15	68900479	HOSE, RADIATOR UPPER	1	
16	11980255801	FILTER, FUEL	1	
17	12915035153	FILTER, OIL	1	
18	11976139450	SWITCH, OIL PRESSURE	1	
19	21584	SCREW, HHC M10-1.5 X 35MM GRD 10.9	6	
20	2955	WASHER, LOCK 7/16" ZINC	8	
21	11962677210	ALTERNATOR, 12V 55AMP	1	
22	12913677011	STARTER	1	
23	22888	MOUNT, ENGINE ECU	1	
24	12992775900	ECU ASSY.	1	PURCHASE FROM YANMAR
25	0202	SCREW, HHC 5/16-18 X 1" ZINC	3	
26	0161 C	WASHER, LOCK 5/16" MED	5	
27	22887	COVER, ENGINE ECU	1	
28	0655	SCREW, HHC 5/16-18 X 3/4"	2	
29	16056	SCREW, HHC M10-1.5 X 25MM GRD8.8	2	
30	22328-01	COUPLER, HAYES	1	
31	22329	ENGINE ASSY., YANMAR 4TNV84TZDSA2	1	

AIR CLEANER AND EXHAUST ASSY.

<u>NO.</u>	<u>PART NO.</u>	<u>PART NAME</u>	<u>QTY.</u>	<u>REMARKS</u>
1	22682	GUARD, MUFFLER	1	
2	22876	MUFFLER	1	
3	21755	GASKET, MUFFLER, YANMAR 55HP	2	
4	21906	SCREW, HHFS 5/16-18 X 1-1/2" GRD 5	7	
5	49071	NUT, FLANGED 5/16-18 SERRATED PLTD	8	
6	22680	TUBE, MUFFLER EXHAUST	1	
7	26306080002	NUT, EXHAUST TUBE	5	
9	KAC8	AIR CLEANER ASSY.....	1	INCLUDES ITEMS W/\$
10\$	PMAF25436	CARTRIDGE, AIR CLEANER	1	
11\$	12968712600	RAIN CAP ASSY.	1	
12	129560912080	HOSE, AIR INTAKE	1	
13	Y23000080000	CLAMP, HOSE 80	1	
14	Y23000060000	CLAMP, HOSE 60	3	
15	12950903050	JOINT, BREATHER	1	
16	12941003990	CLAMP, HOSE 22	2	
17	15538	CLAMP, HOSE WORM #6 7/16 TO 11/16	2	
18	22853	TUBE, HOSE SECTION	1	
19	60130	HOSE, FUEL 5/8ID SAE 30R7 9" LONG.....	1	1PC=1FT
20	12950912070	HOSE, AIR INTAKE	1	
21	12950903090	HOSE, BREATHER	1	
22	21989	SPACER, .75 X 2.0 X 4.5 UHMW	1	

WATER PUMP, FAN, V-BELT ASSY

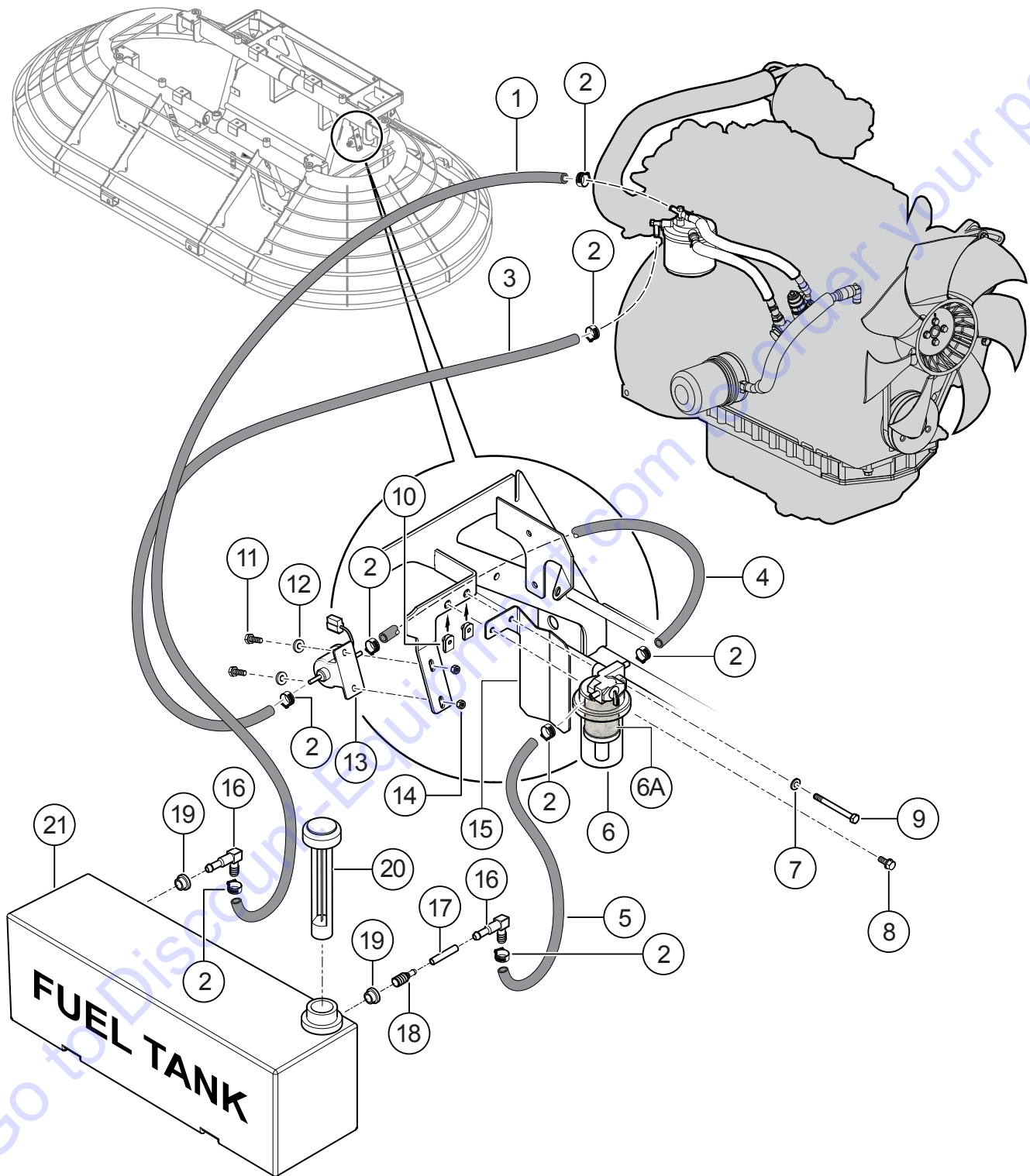


WATER PUMP, FAN, V-BELT ASSY

<u>NO.</u>	<u>PART NO.</u>	<u>PART NAME</u>	<u>QTY.</u>	<u>REMARKS</u>
1	12979549551	GASKET, COVER	1	
2	12915549801	THERMOSTAT	1	
3	12915049811	GASKET, THERMOSTAT	1	
4	12950942010	PUMP ASSY., WATER	1	
5\$	12910042051	GASKET, WATER PUMP	1	
6	12992744900	THERMOMETER	1	
7	22190120002	SEAL, WASHER 12	1	
8	12925842290	V-BELT	1	
9	12940342380	V-PULLEY, WATER PUMP	1	
10	17135344760	SPACER, FAN	1	
11	12961244700	FAN, PUSHER	1	
12	26106060402	BOLT, M 6 X 40 PLATED	4	
13\$	12910042121	PLATE	1	
14	12948642021	GASKET	1	

Go to Discount-Equipment.com to order your parts

FUEL SYSTEM ASSY.

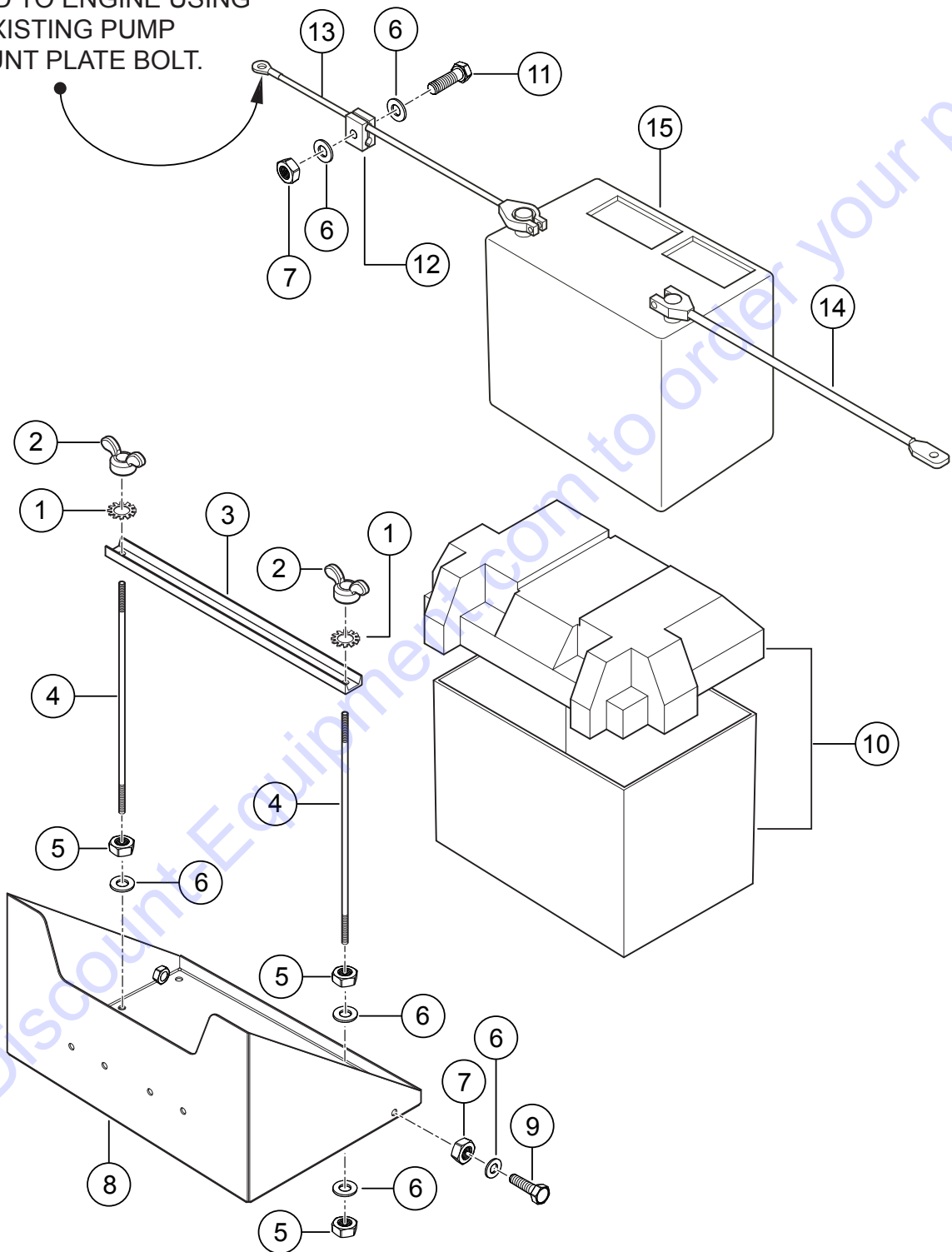


FUEL SYSTEM ASSY.

<u>NO.</u>	<u>PART NO.</u>	<u>PART NAME</u>	<u>QTY.</u>	<u>REMARKS</u>
1	60028	HOSE, FUEL .312 LOW PERM 50 PSI 46"	4.....	1PC=1FT
2	19473	CLAMP, HOSE WORM #2 1/4 TO 5/8.....	8.....	
3	60028	HOSE, FUEL .312 LOW PERM 50 PSI 58"	5.....	1PC=1FT
4	60028	HOSE, FUEL .312 LOW PERM 50 PSI 12"	1.....	1PC=1FT
5	60028	HOSE, FUEL .312 LOW PERM 50 PSI 29"	3.....	1PC=1FT
6	12924255700	FUEL SEPARATOR.....	1.....	INCLUDES ITEMS W/\$
6A\$	12924255730	ELEMENT, FUEL SEPARATOR	1	
7	0300 B	WASHER, FLAT SAE 5/16	1	
8	36720	SCREW, HHFS 5/16-18 X 3/4 GR5	1	
9	1404	SCREW, HHC 5/16-18 X 3-1/4 GR5	1	
10	35358	PALNUT, U. 5/16-18 X .05/.20 PANEL	2	
11	0131 A	SCREW, HHC 1/4-20 X 3/4	4	
12	0948	WASHER, FLAT SAE 1/4	8	
13	11922552102	PUMP, FUEL	1	
14	10024	NUT, NYLOC 1/4-20	4	
15	22757	GUARD, SPLASH SEDIMENT BULB	1	
16	W12023	FITTING, 90 5MBARB X 6-4SBARB	2	
17	60058	HOSE, 1/4 X 3/8 PCV, YELLOW FUEL.....	1.....	1PC=1FT
18	12010	SCREEN, FILTER	1	
19	19633	BUSHING, RUBBER FUEL	2	
20	23515	CAP, RATCHET W/GAUGE "DIESEL" (10.5")	1	
21	21576	TANK, 11 GALLON POLYETHLENE	1	

BATTERY ASSY.

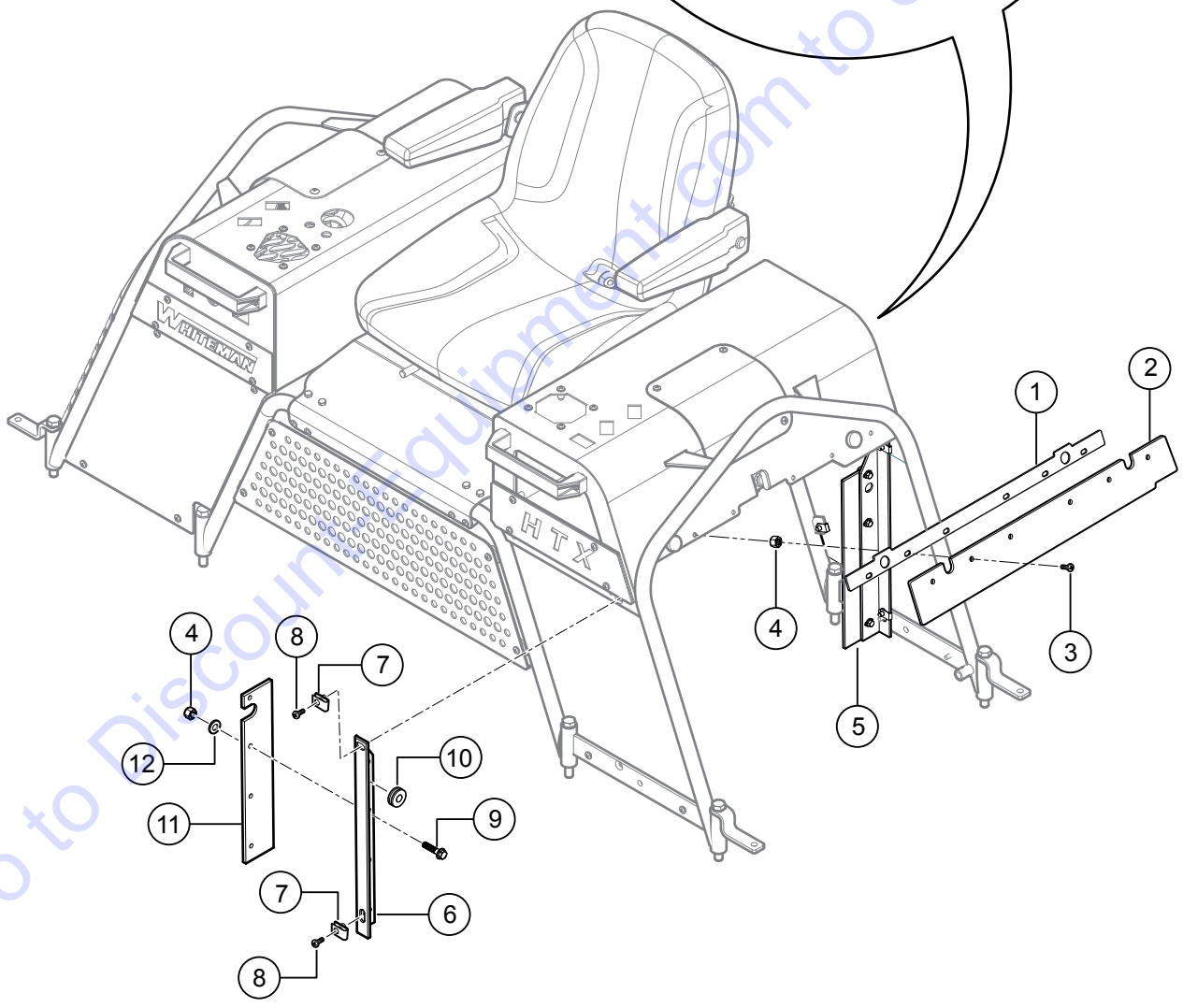
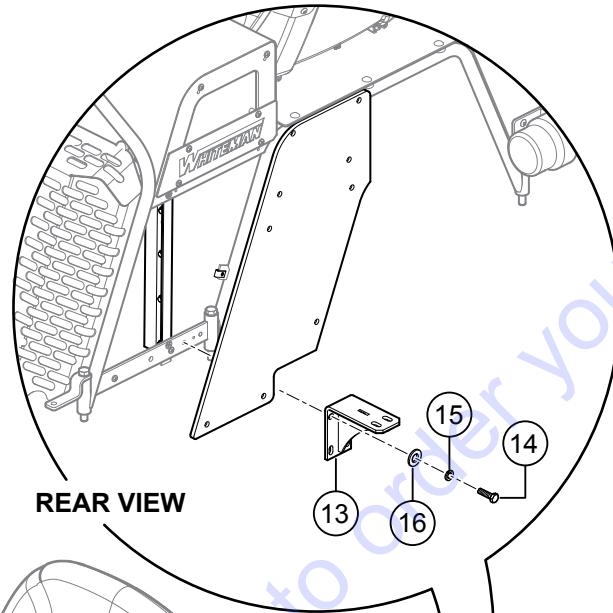
GROUND TO ENGINE USING
EXISTING PUMP
MOUNT PLATE BOLT.



BATTERY ASSY.

<u>NO.</u>	<u>PART NO.</u>	<u>PART NAME</u>	<u>QTY.</u>	<u>REMARKS</u>
1	10031	WASHER, EXT SHKP 1/4	8	
2	2509	NUT, WING 1/4-20 PLATED	2	
3	11692	BRACKET, BATTERY BOX HOLD DOWN	1	
4	11693	BOLT, BATTERY BRACKET	2	
5	0949	NUT, HEX FINISH 1/4-20	6	
6	0948	WASHER, FLAT 1/4" SAE	9	
7	10024	NUT, NYLOC 1/4-20	5	
8	20696	BATTERY BOX	1	
9	0730	SCREW, HHC 1/4-20 X 1	4	
10	10318	BATTERY BOX, GROUP 24	1	
11	12275	SCREW, HHC 1/4-20 X 1"	1	
12	12273	CLAMP, 3/8 TUBE	1	
13	22809	CABLE, BATTERY, NEGATIVE 62" 6GA.	1	
14	22808	CABLE, BATTERY, POSITIVE RED 55" 6GA.	1	
15		BATTERY, OPTIMA 8022-091	1.....	OBTAIN LOCALLY

RADIATOR MOUNTING HARDWARE ASSY.

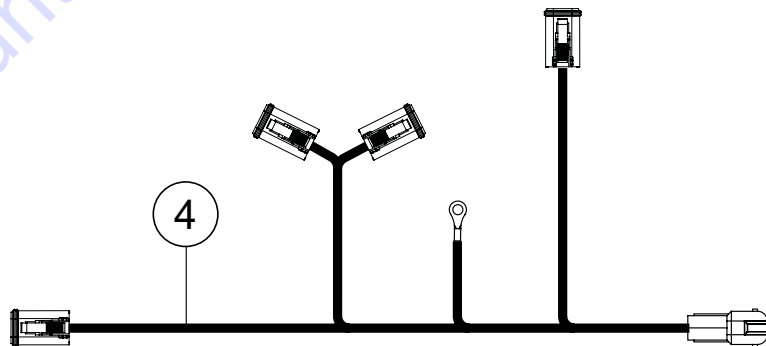
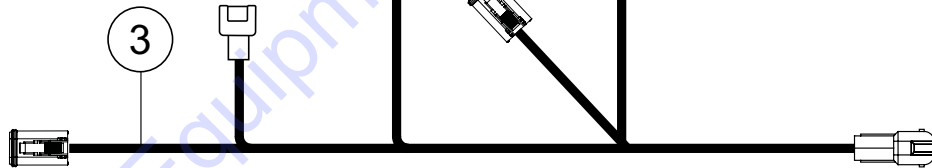
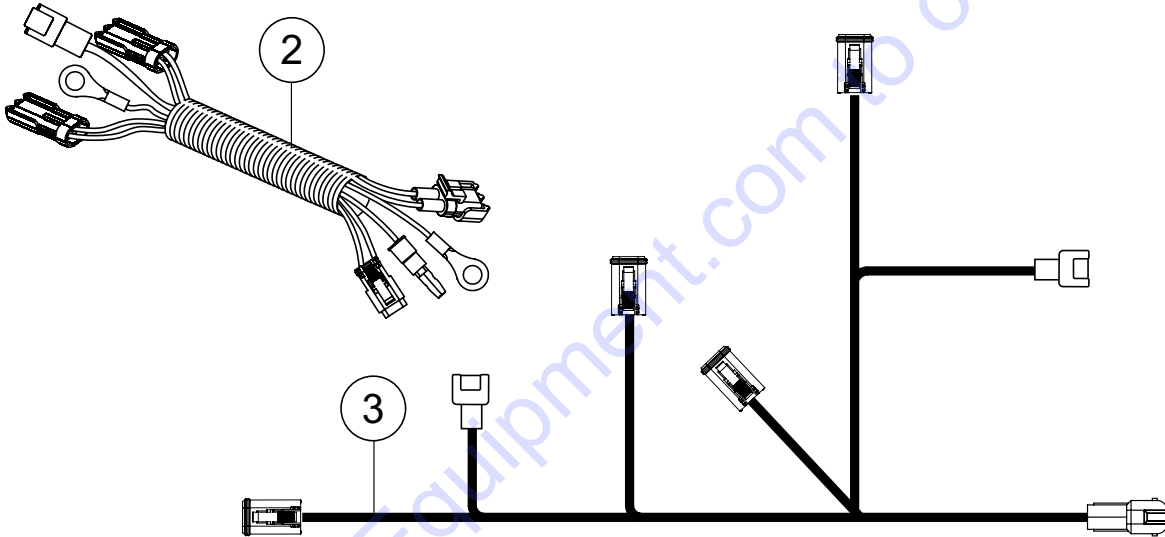
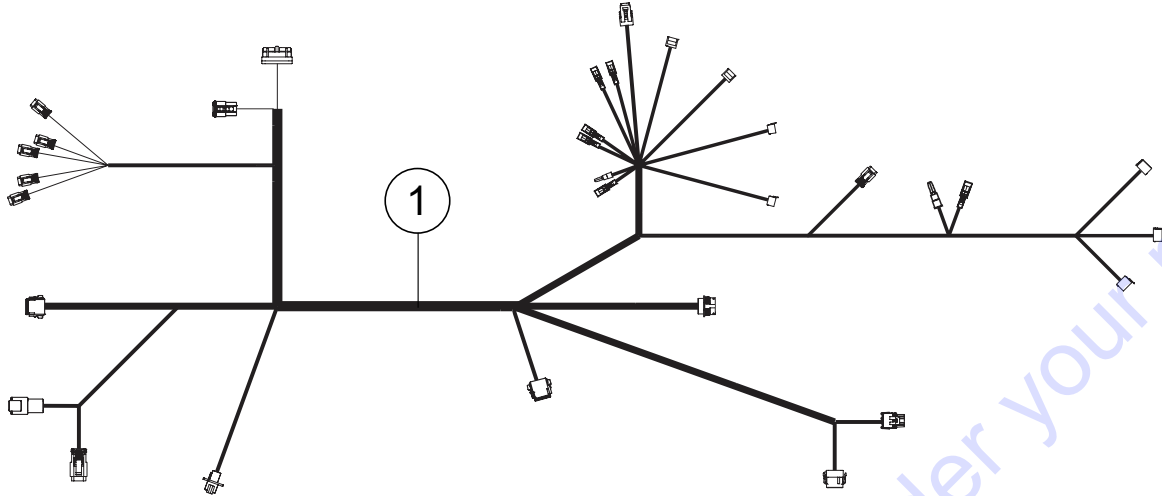


RADIATOR FRAME MOUNTING HARDWARE ASSY.

<u>NO.</u>	<u>PART NO.</u>	<u>PART NAME</u>	<u>QTY.</u>	<u>REMARKS</u>
1	22804	SUPPORT, BELT-TOP	1	
2	22803	BELT, RADIATOR-TOP	1	
3	12287	SCREW, THP 1/4-20 X 3/4" SS	8	
4	10024	NUT, NYLOC 1/4-20	14	
5	22785	SHROUD , LEFT SIDE	1	
6	22784	SHROUD, RIGHT SIDE	1	
7	11534	NUT, "U" TYPE, 1/4-20	5	
8	22790	SCREW, PHILLIPS HD MACH 10-24 X .75"	4	
9	49048	SCREW, HHFS 1/4-20 X 3/4" GR5	9	
10	19468	GROMMET, 3/16 X 1/2ID X 1-1/4" OD	1	
11	22805	BELT, RADIATOR-SIDE	2	
12	0948	WASHER, FLAT SAE 1/4"	8	
13	22453	MOUNT, W/A MUFFLER	1	
14	0205	SCREW, HHC 3/8-16 X 1.0"	4	
15	0166 A	WASHER, LOCK 3/8" MED	4	
16	10136	WASHER, FLAT SAE 3/8"	4	

Go to Discount-Equipment.com to order your parts

HARNES ASSY.



HARNES ASSY.

<u>NO.</u>	<u>PART NO.</u>	<u>PART NAME</u>	<u>QTY.</u>	<u>REMARKS</u>
1	22792	HARNES, MAIN	1	
2	22318	HARNES, ENGINE	1	
3	22794	HARNES, FRONT	1	
4	22795	HARNES, REAR	1	
5	22796	HARNES, SEAT SWITCH	1	

Go to Discount-Equipment.com to order your parts

PARTS FINDER

**Search Website
by Part Number**



**Search Manual
Library For Parts
Manual & Lookup Part
Numbers – Purchase
or Request Quote**

Search Manuals

Enter your information to help us find the right parts manual for your machine.

* Brand:

* Model:

* Serial:

* Part Number:

SEARCH

**Can't Find Part or
Manual? Request Help
by Manufacturer,
Model & Description**

Parts Order Form

Please fill in the following information to help us find the right part for your machine.

MANUFACTURER:

MODEL:

DESCRIPTION:

DATE:

TIME:

PHONE:

EMAIL:

ADDRESS:

CITY:

STATE:

ZIP:

SEARCH

Discount-Equipment.com is your online resource for quality parts & equipment.

Florida: **561-964-4949** Outside Florida TOLL FREE: **877-690-3101**

Need parts?

Click on this link: <http://www.discount-equipment.com/category/5443-parts/> and choose one of the options to help get the right parts and equipment you are looking for. Please have the machine model and serial number available in order to help us get you the correct parts. If you don't find the part on the website or on one of the online manuals, please fill out the request form and one of our experienced staff members will get back to you with a quote for the right part that your machine needs.

We sell worldwide for the brands: Genie, Terex, JLG, MultiQuip, Mikasa, Essick, Whiteman, Mayco, Toro Stone, Diamond Products, Generac Magnum, Airman, Haulotte, Barreto, Power Blanket, Nifty Lift, Atlas Copco, Chicago Pneumatic, Allmand, Miller Curber, Skyjack, Lull, Skytrak, Tsurumi, Husquvarna Target, Stow, Wacker, Sakai, Mi-T-M, Sullair, Basic, Dynapac, MBW, Weber, Bartell, Bennar Newman, Haulotte, Ditch Runner, Menegotti, Morrison, Contec, Buddy, Crown, Edco, Wyco, Bomag, Laymor, EZ Trench, Bil-Jax, F.S. Curtis, Gehl Pavers, Heli, Honda, ICS/PowerGrit, IHI, Partner, Imer, Clipper, MMD, Koshin, Rice, CH&E, General Equipment, Amida, Coleman, NAC, Gradall, Square Shooter, Kent, Stanley, Tamco, Toku, Hatz, Kohler, Robin, Wisconsin, Northrock, Oztec, Toker TK, Rol-Air, APT, Wylie, Ingersoll Rand / Doosan, Innovatech, Con X, Ammann, Mecalac, Makinex, Smith Surface Prep, Small Line, Wanco, Yanmar