

PARTS MANUAL



 **MAYCO SERIES**
MODEL LS450
CONCRETE PUMP
(HATZ 4H50TIC DIESEL ENGINE)

Revision #4 (02/09/23)



THIS MANUAL MUST ACCOMPANY THE EQUIPMENT AT ALL TIMES.

PARTS FINDER

**Search Website
by Part Number**



**Search Manual
Library For Parts
Manual & Lookup Part
Numbers – Purchase
or Request Quote**

Search Manuals

Enter your information to help us find the right parts manual for your machine.

* Brand:

* Model:

* Serial:

* Part Number:

SEARCH

**Can't Find Part or
Manual? Request Help
by Manufacturer,
Model & Description**

Parts Order Form

Please fill in the following information to help us find the right part for your machine.

Manufacturer:	<input type="text"/>
Model:	<input type="text"/>
Description:	<input type="text"/>
Part Number:	<input type="text"/>
Quantity:	<input type="text"/>
Notes:	<input type="text"/>

Submit

Discount-Equipment.com is your online resource for quality parts & equipment.

Florida: **561-964-4949** Outside Florida TOLL FREE: **877-690-3101**

Need parts?

Click on this link: <http://www.discount-equipment.com/category/5443-parts/> and choose one of the options to help get the right parts and equipment you are looking for. Please have the machine model and serial number available in order to help us get you the correct parts. If you don't find the part on the website or on one of the online manuals, please fill out the request form and one of our experienced staff members will get back to you with a quote for the right part that your machine needs.

We sell worldwide for the brands: Genie, Terex, JLG, MultiQuip, Mikasa, Essick, Whiteman, Mayco, Toro Stone, Diamond Products, Generac Magnum, Airman, Haulotte, Barreto, Power Blanket, Nifty Lift, Atlas Copco, Chicago Pneumatic, Allmand, Miller Curber, Skyjack, Lull, Skytrak, Tsurumi, Husquvarna Target, Stow, Wacker, Sakai, Mi-T-M, Sullair, Basic, Dynapac, MBW, Weber, Bartell, Bennar Newman, Haulotte, Ditch Runner, Menegotti, Morrison, Contec, Buddy, Crown, Edco, Wyco, Bomag, Laymor, EZ Trench, Bil-Jax, F.S. Curtis, Gehl Pavers, Heli, Honda, ICS/PowerGrit, IHI, Partner, Imer, Clipper, MMD, Koshin, Rice, CH&E, General Equipment, Amida, Coleman, NAC, Gradall, Square Shooter, Kent, Stanley, Tamco, Toku, Hatz, Kohler, Robin, Wisconsin, Northrock, Oztec, Toker TK, Rol-Air, APT, Wylie, Ingersoll Rand / Doosan, Innovatech, Con X, Ammann, Mecalac, Makinex, Smith Surface Prep, Small Line, Wanco, Yanmar

TABLE OF CONTENTS

LS450 Concrete Pump

Explanation Of Code In Remarks Column.....	4
Suggested Spare Parts	5

Component Drawings

Nameplate And Decals.....	6-9
Frame Assembly.....	10-11
Axle/Brake Line Assembly.....	12-13
Trailer Hitch Assembly.....	14-15
Battery Assembly.....	16-17
Hopper Assembly.....	18-19
Hopper Attachment Assembly.....	20-21
Hopper Interior Assembly.....	22-23
Shuttle Cylinder Assembly.....	24-25
Lubrication Pistons Assembly.....	26-29
Fuel Tank Assembly.....	30-31
Heat Exchanger Assembly.....	32-33
Accumulator Assembly.....	34-35
Remixer Control Assembly.....	36-37
Lubrication Panel Assembly.....	38-39
Engine Cover Assembly.....	40-41
Hydraulic Tank Assembly.....	42-45
Engine Mounting Exhaust Assembly.....	46-47
Engine Air Filter Assembly.....	48-49
Fuel Filter-Water Separator Assembly.....	50-51
Hydraulic Pump Assembly.....	52-53
Manifold Assembly.....	54-55
Control Box Assembly.....	56-57
Control Box Harness Assembly.....	58-59
Remote Control Cable Assembly.....	60-61
Hydraulic Stabilizer Assembly (Optional).....	62-63
Fuses And Relays Assembly.....	64-65

NOTICE

Part numbers are subject to change without notice.

EXPLANATION OF CODE IN REMARKS COLUMN

The following section explains the different symbols and remarks used in the Parts section of this manual. Use the help numbers found on the back page of the manual if there are any questions.

NOTICE

The contents and part numbers listed in the parts section are subject to change **without notice**. Multiquip does not guarantee the availability of the parts listed.

SAMPLE PARTS LIST

NO.	PART NO.	PART NAME	QTY.	REMARKS
1	12345	BOLT	1	INCLUDES ITEMS W/%
2%		WASHER, 1/4 IN.		NOT SOLD SEPARATELY
2%	12347	WASHER, 3/8 IN. ...	1	MQ-45T ONLY
3	12348	HOSE	A/R	MAKE LOCALLY
4	12349	BEARING	1	S/N 2345B AND ABOVE

NO. Column

Unique Symbols — All items with same unique symbol (@, #, +, %, or >) in the number column belong to the same assembly or kit, which is indicated by a note in the “Remarks” column.

Duplicate Item Numbers — Duplicate numbers indicate multiple part numbers, which are in effect for the same general item, such as different size saw blade guards in use or a part that has been updated on newer versions of the same machine.

NOTICE

When ordering a part that has more than one item number listed, check the remarks column for help in determining the proper part to order.

PART NO. Column

Numbers Used — Part numbers can be indicated by a number, a blank entry, or TBD.

TBD (To Be Determined) is generally used to show a part that has not been assigned a formal part number at the time of publication.

A blank entry generally indicates that the item is not sold separately or is not sold by Multiquip. Other entries will be clarified in the “Remarks” Column.

QTY. Column

Numbers Used — Item quantity can be indicated by a number, a blank entry, or A/R.

A/R (As Required) is generally used for hoses or other parts that are sold in bulk and cut to length.

A blank entry generally indicates that the item is not sold separately. Other entries will be clarified in the “Remarks” Column.

REMARKS Column

Some of the most common notes found in the “Remarks” Column are listed below. Other additional notes needed to describe the item can also be shown.

Assembly/Kit — All items on the parts list with the same unique symbol will be included when this item is purchased.

Indicated by:

“INCLUDES ITEMS W/(unique symbol)”

Serial Number Break — Used to list an effective serial number range where a particular part is used.

Indicated by:

“S/N XXXXX AND BELOW”

“S/N XXXX AND ABOVE”

“S/N XXXX TO S/N XXX”

Specific Model Number Use — Indicates that the part is used only with the specific model number or model number variant listed. It can also be used to show a part is NOT used on a specific model or model number variant.

Indicated by:

“XXXXX ONLY”

“NOT USED ON XXXX”

“Make/Obtain Locally” — Indicates that the part can be purchased at any hardware shop or made out of available items. Examples include battery cables, shims, and certain washers and nuts.

“Not Sold Separately” — Indicates that an item cannot be purchased as a separate item and is either part of an assembly/kit that can be purchased, or is not available for sale through Multiquip.

SUGGESTED SPARE PARTS

MAYCO SERIES LS450 CONCRETE PUMP

1 TO 3 UNITS

Qty.	P/N	Description
2	EM98206K	KEY, IGNITION SWITCH
1	23284-300	FUSE, 30 AMP ATC/ATO
1	EM802378	RELAY, 40 AMP, FAN
1	804996	CIRCUIT BREAKER, 40 AMP
1	EM98163	SWITCH, PROXIMITY W/ CABLE
1	34507	FUEL CAP W/GAUGE
1	EM16462	FELT HOLDER
4	EM98050	CUP PISTON-ORANGE
4	EM16493	RING, FELT
2	EM14408	RING, BRONZE
2	EM16145A	BUSHING, SWING AXLE
1	EM168161A	RING, ENERGIZER RUBBER
1	EM168162	RING, INSERT STEEL
2	EM98065	SEAL, GROOVED RUBBER
1	EM98022	RING, WEAR H/F
4	EM14407	O-RING, OILER PLATE
1	EM98021A	WEAR PLATE
2	EM517700	O-RING
1	EM98033	OILER PLATE

HATZ 4H50TIC DIESEL ENGINE

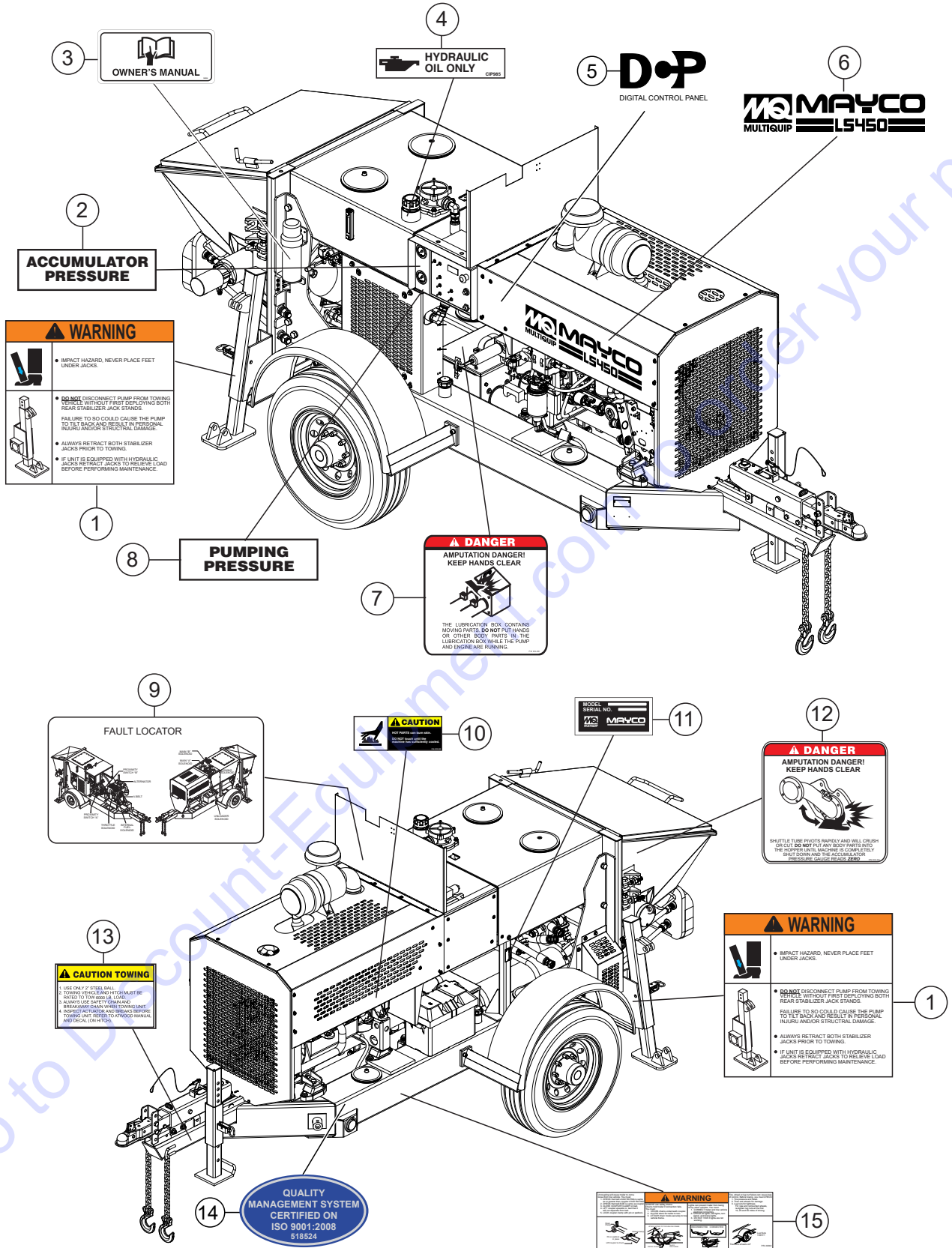
1 to 3 units

Qty.	P/N	Description
3	802513	FILTER, IN-LINE FUEL
3	50640800	ELECTRIC FUEL PUMP
3	50638000	FUEL/WATER PRE-FILTER
3	50628800	OIL FILTER
3	50638200	AIR FILTER, MAIN
3	50638300	AIR FILTER, INNER
3	50640500	FILTER, BREATHER CRANK

NOTICE

Part numbers on this Suggested Spare Parts list may supersede/replace the part numbers shown in the following parts lists.

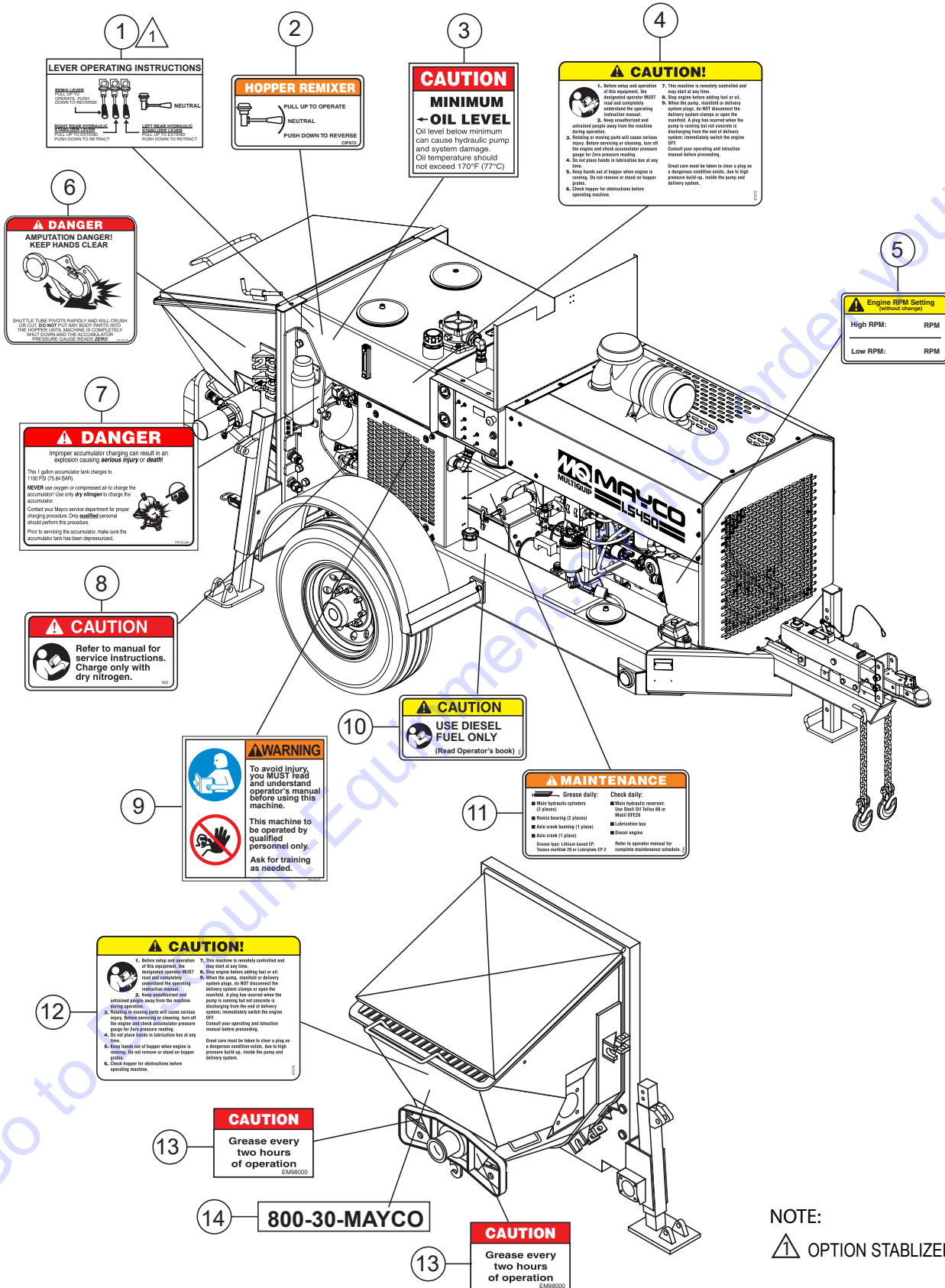
NAMEPLATE AND DECALS



NAMEPLATE AND DECALS

<u>NO.</u>	<u>PART NO.</u>	<u>PART NAME</u>	<u>QTY.</u>	<u>REMARKS</u>
1	518090	DECAL, WARNING IMPACT HAZARD	1	
2%	EM97070	DECAL, ACCUMULATOR PRESSURE	1.....	INCLUDES ITEMS W/\$
3	EM97072	DECAL, CAUTION OPERATIONS INSTRUCT.	1	
4	EM985	DECAL, HYDRAULIC OIL	1	
5	517907	DIGITAL CONTROL PANEL LOGO	1	
6	807542	DECAL, MQ/MAYCO LS450 LOGO LARGE	1	
7	DCL300	DECAL, LUBRICATION BOX	1	
8\$	EM97070	DECAL, PUMPING PRESSURE	1.....	INCLUDES ITEMS W/%
9	518088	DECAL, FAULT LOCATOR	1	
10	DCL302	DECAL, WARNING BURN HAZARD	1	
11		PLATE, SERIAL NUMBER.....	1.....	CONTACT MQ PARTS DEPT.
12	DCL301	DECAL, DANGER SHUTTLE TUBE	1	
13	EM969	DECAL, CAUTION TOWING	1	
14	518524	DECAL; ISO 9001:2008 EXPORT	1	
15	34627	DECAL, WARNING TOWING	1	

NAMEPLATE AND DECALS (CONT'D.)

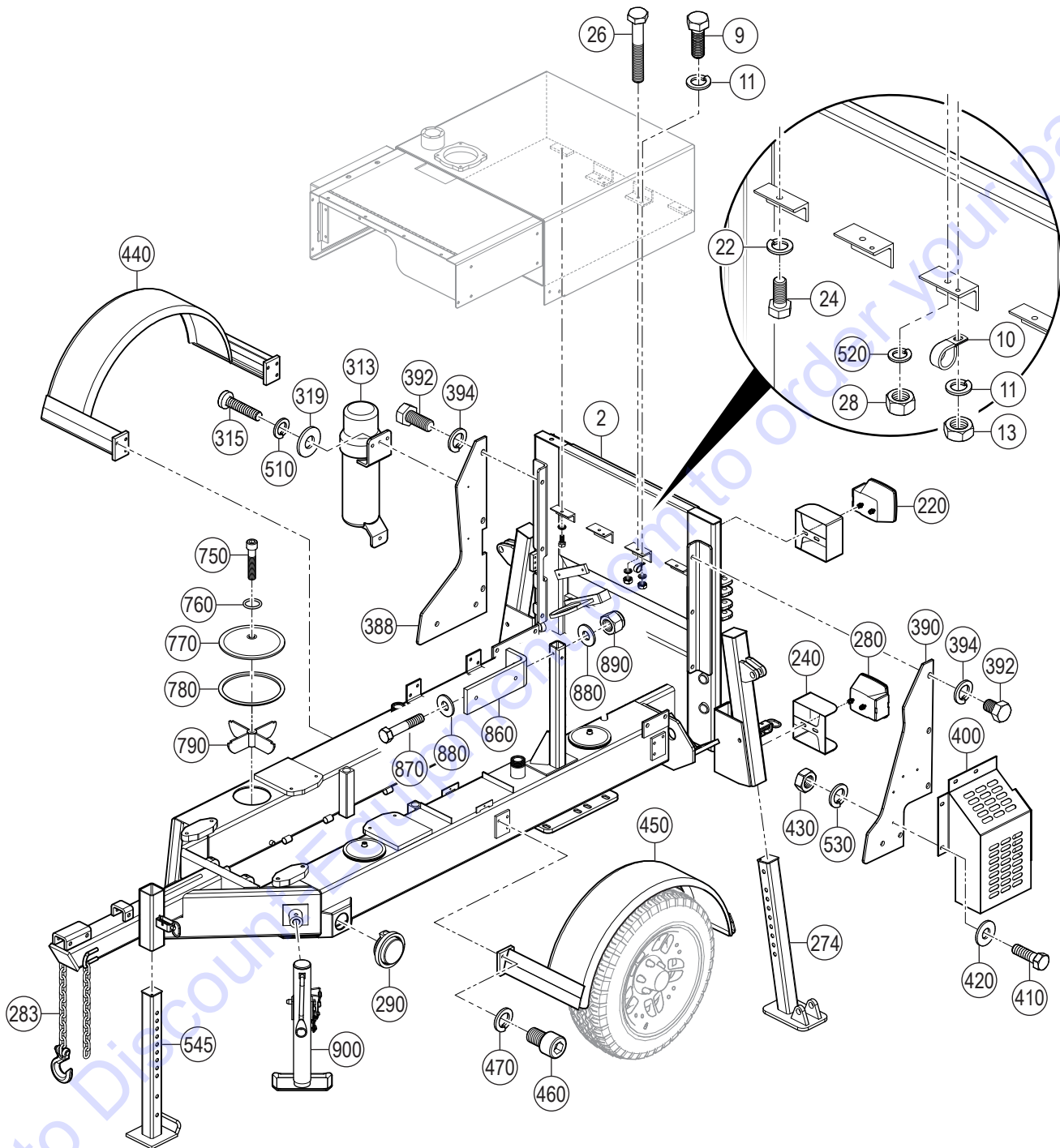


NAMEPLATE AND DECALS (CONT'D.)

<u>NO.</u>	<u>PART NO.</u>	<u>PART NAME</u>	<u>QTY.</u>	<u>REMARKS</u>
1	518091	DECAL, LEVER OPERATING INSTRUCT.....1.....	1	OPTION, STABLIZER JACKS
2	EM970	DECAL, HOPPER REMIXER	1	
3	EM511901	DECAL, CAUTION MINIMUM OIL LEVEL	1	
4	EM97072	DECAL, CAUTION OPERATIONS INSTRUCT.	1	
5	513580	DECAL, ENGINE RPM SETTING	1	
6	DCL301	DECAL, DANGER SHUTTLE TUBE	1	
7	DCL304	DECAL, DANGER IMPROPER CHARGING	1	
8	EM955	DECAL, CAUTION DRY NITROGEN	1	
9	35137	DECAL, CAUTION READ MANUAL	1	
10	EM995	DECAL, CAUTION USE DIESEL FUEL		
11	EM97084	DECAL, MAINTENANCE	1	
12	EM97072	DECAL, CAUTION OPERATIONS INSTRUCT.	1	
13	EM510386	DECAL, CAUTION-GREASE 2 HOURS	2	
14	EM511709	DECAL, 800-30-MAYCO	1	

Go to Discount-Equipment.com to order your parts

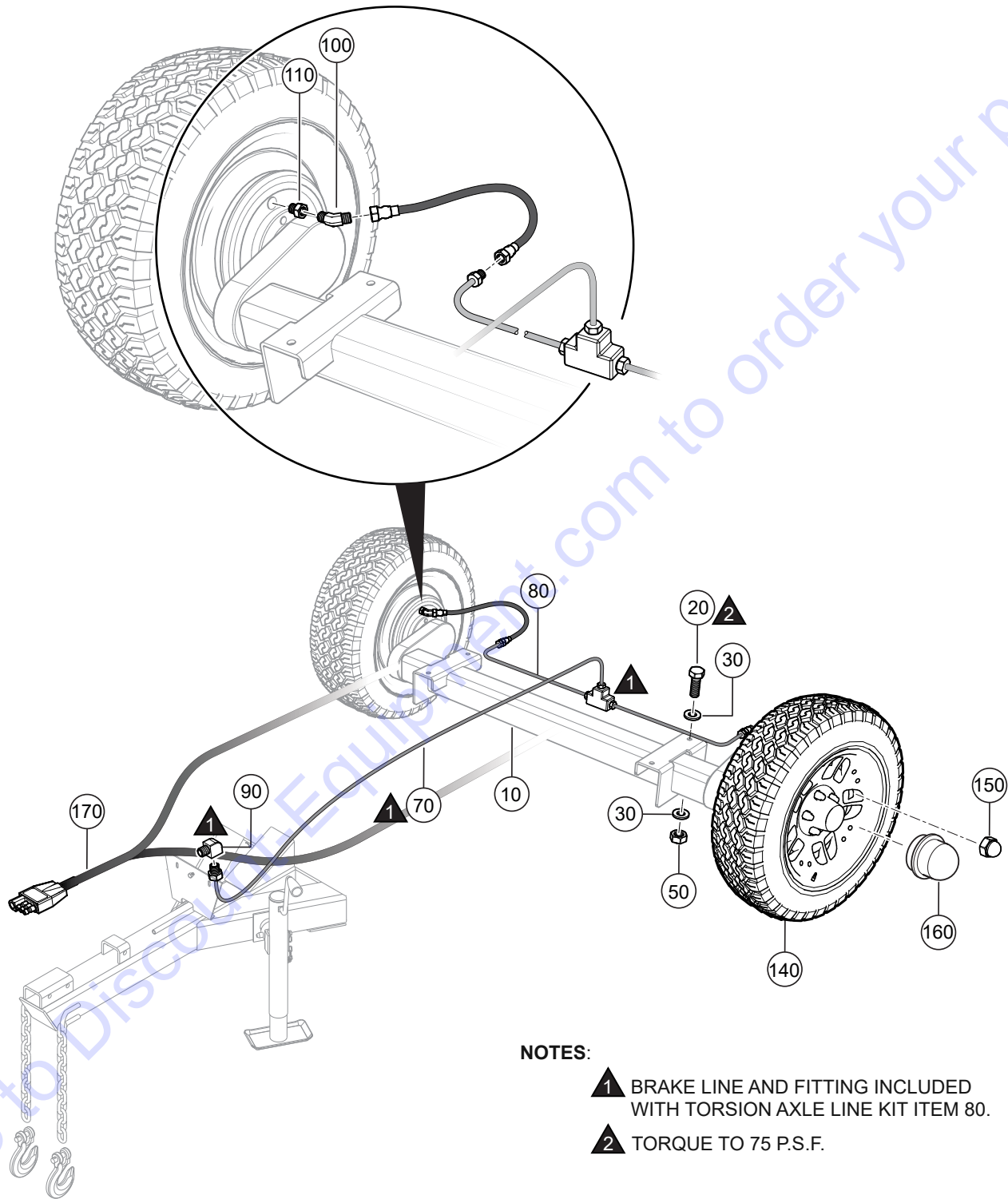
FRAME ASSY.



FRAME ASSY.

<u>NO.</u>	<u>PART NO.</u>	<u>PART NAME</u>	<u>QTY.</u>	<u>REMARKS</u>
2	807053	CHASSIS, LS450 HATZ	1	
9	492356	BOLT 1/4" X 3/4"	2	
10	801130	CLAMP, HOSE	2	
11	2101402	WASHER, LOCK 1/4" DIA.	4	
13	2101428	NUT, HEX 1/4-20	2	
22	0166 A	WASHER, LOCK 3/8" DIA.	2	
24	509562	BOLT 3/8" NC X 5/8" G5	2	
26	EM963610	BOLT 3/8"	2	
28	492542	NUT 3/8" NC	2	
220	29242	LIGHT, TAIL, BRAKE, RIGHT	1	
240	807322	GUARD, TAIL LIGHT	2	
274	EM517113	STABILIZER STAND	2	
280	28243	LIGHT, TAIL, BRAKE, LEFT	1	
283	516581	SAFETY HOOK W/LATCH 1/2"	2	
290	801258	LAMP, AMBER 2-1/2"	2	
313	23297	CONTAINER, MANUAL	1	
315	492363	BOLT, 5/16" DIA. NC X 3/4" G-5	2	
319	492628	WASHER, FLAT 3/4"	1	
388	517092	SUPPORT PLATE, RIGHT	1	
390	517095	SUPPORT PLATE, LEFT	1	
392	517124	CAP SCREW, 3/4"NC X 1" G5	10	
394	492628	WASHER, LOCK 3/4"	10	
400	EM517742	COVER, SHUTTLE CYLINDER	1	
410	0202	SCREW, HHC 5/16" X 18" X 1"	4	
420	EM923023	WASHER, FLAT 5/16"	4	
430	492541	NUT, HEX 5/16"NC G2	4	
440	EM801221	FENDER, RIGHT WHEEL	1	
450	EM807522	FENDER, LEFT WHEEL	1	
460	803692	SCREW 1/2"NC X 3/4" G5	12	
470	6109180	WASHER, LOCK 1/2" DIA.	12	
510	EM923343	WASHER, LOCK 5/16"	2	
520	0166 A	WASHER, LOCK 3/8" DIA.	2	
530	EM923343	WASHER, LOCK 5/16"	4	
545	EM70186	JACK STAND	1	
750	505990	BOLT, 1/2" X 2-1/2"	4	
760	520343	O-RING	4	
770	EM800302	COVER, TANK	4	
780	EM801790	GASKET	4	
790	EM800304	RETAINER	4	
860	520672	CASTE COVER REINFORCEMENT	1	
870	EM963064	BOLT, HEX 3/8" X 16" X 3-1/4"	1	
880	504679	WASHER, FLAT 3/8"	2	
890	EM969013	NUT, NYLOC	1	
900	EM25610	JACK STAND	1	

AXLE/BRAKE LINE ASSY.



NOTES:

- 1** BRAKE LINE AND FITTING INCLUDED WITH TORSION AXLE LINE KIT ITEM 80.
- 2** TORQUE TO 75 P.S.F.

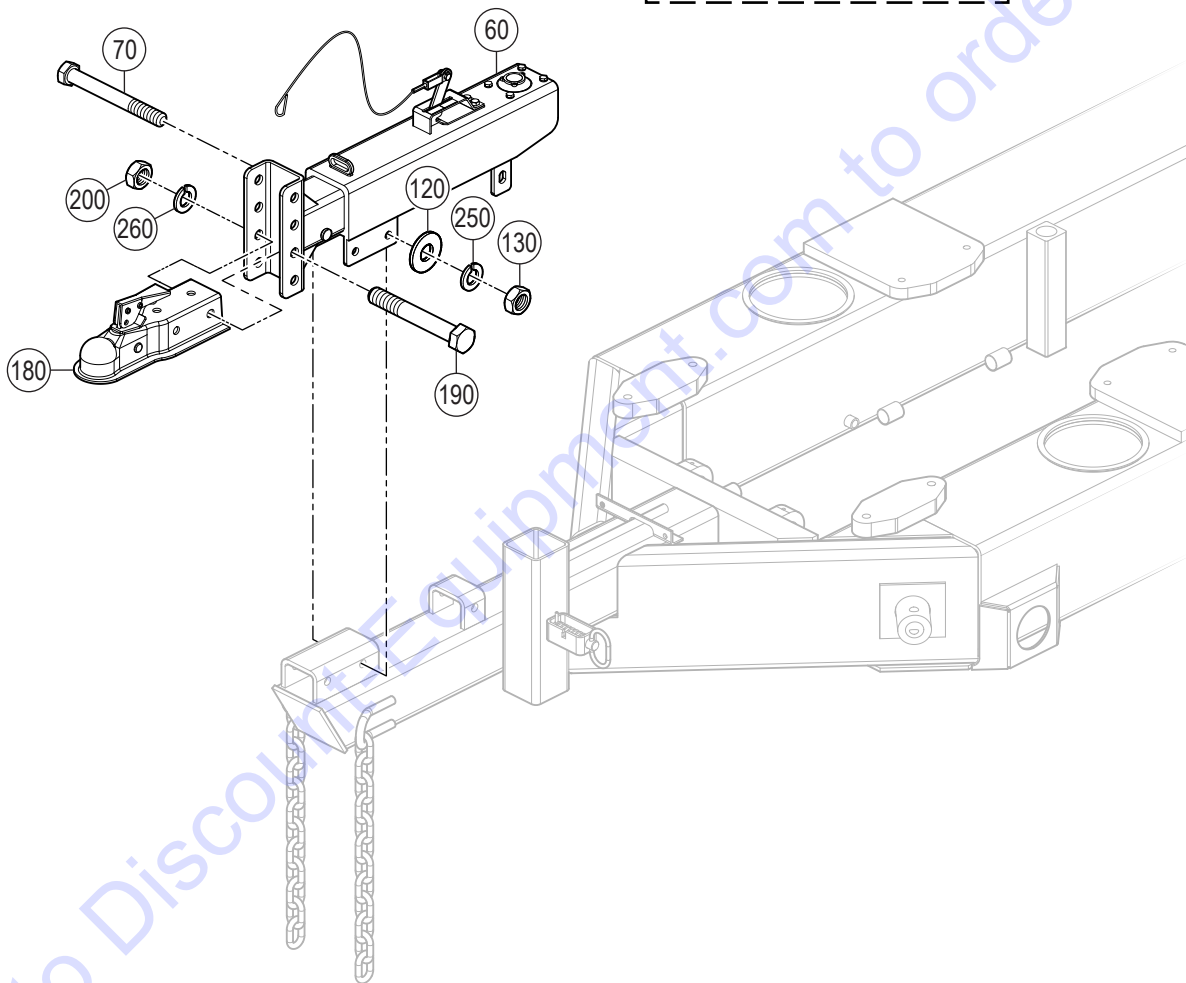
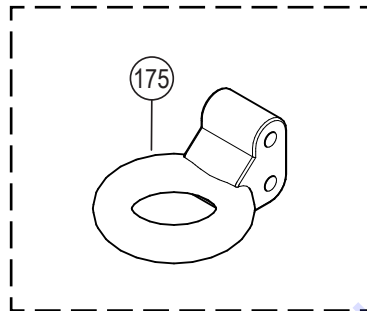
AXLE/BRAKE LINE ASSY.

<u>NO.</u>	<u>PART NO.</u>	<u>PART NAME</u>	<u>QTY.</u>	<u>REMARKS</u>
10	EM800863	AXLE ASSEMBLY	1	
20	TK31C1032J	BOLT, HHCS 1/2" NC X 2" G8	4	
30	EM621	WASHER, 1/2" SPECIAL	8	
50	TK83D10J	NUT, STOFFER CRIMP G8	4	
70#	34565	KIT, HYDRAULIC BRAKE LINE	1	
80	34566	KIT, TORSION AXLE LINE	1.....	INCLUDES ITEMS W/#
90#		ADAPTER, ELBOW	2.....	NOT SOLD SEPARATELY
100	EM512877	ADAPTER, STRAIGHT	2	
140	800864	TIRE/RIM 16"	2	
150	EM26519	NUT, CHROME	16	
160	801684	CAP, DUST	2	
170	807332	WIRING HARNESS, TAIL LIGHTS	1	

Go to Discount-Equipment.com to order your parts

TRAILER HITCH ASSY.

OPTIONAL TOW RING

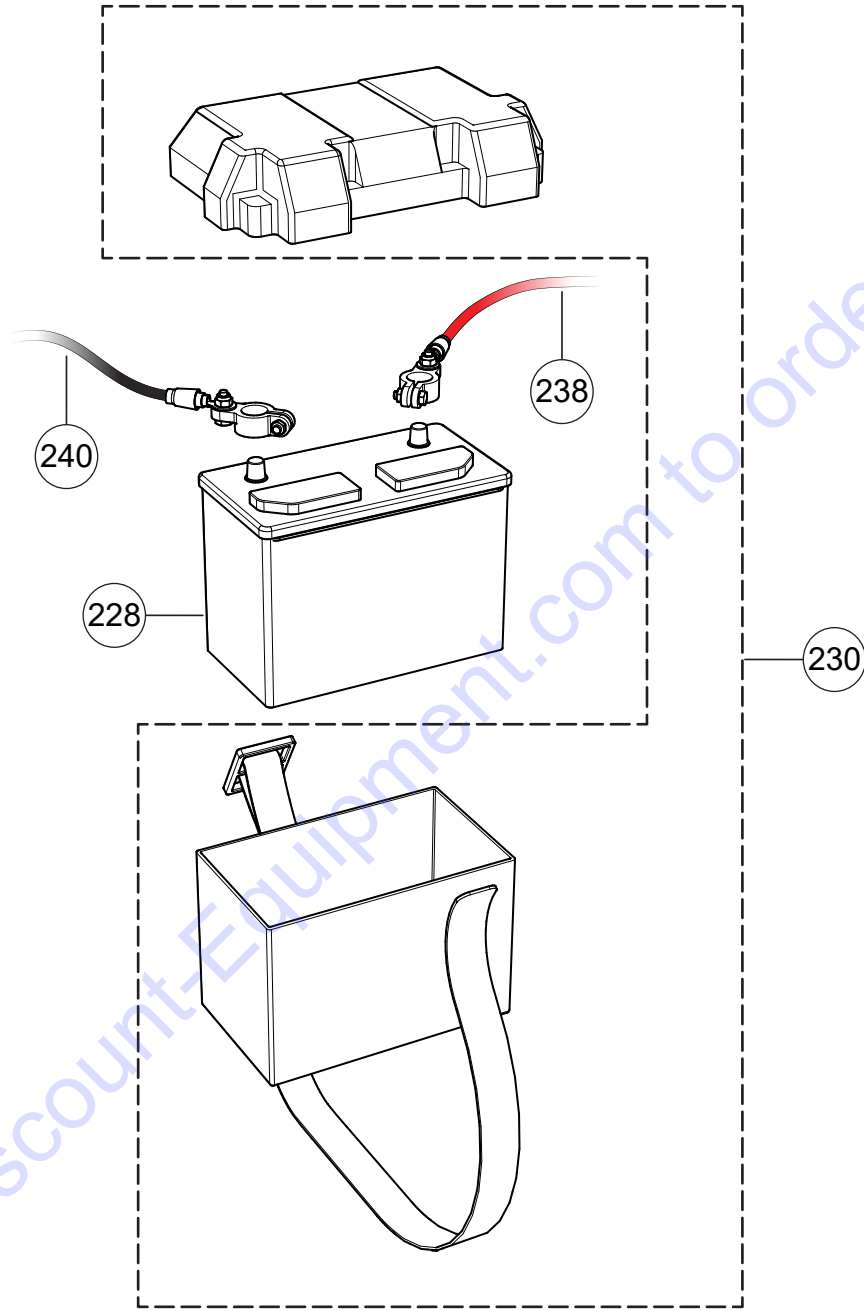


TRAILER HITCH ASSY.

<u>NO.</u>	<u>PART NO.</u>	<u>PART NAME</u>	<u>QTY.</u>	<u>REMARKS</u>
60	19067	ACTUATOR, BRAKE	1	
70	518257	BOLT, HEX HD 1/2" X 4-1/2" NC GRD. 8	3	
120	6109170	WASHER, FLAT 1/2" DIA.	3	
130	6109160	NUT, HEX 1/2" DIA. NC	3	
175	29369	COUPLER, 3" PINTLE EYE, 14,000 LBS.....	1.....	OPTIONAL
180	29228	COUPLER, 2" BALL	1	
190	518256	BOLT, HEX HD 5/8" X 4-1/2" NC GRD. 8	2	
200	EM968013	NUT, 5/8" DIA.	2	
250	6109180	WASHER, LOCK 1/2" DIA.	3	
260	EM923348	WASHER, LOCK 5/8"	2	

Go to Discount-Equipment.com to order your parts

BATTERY ASSY.

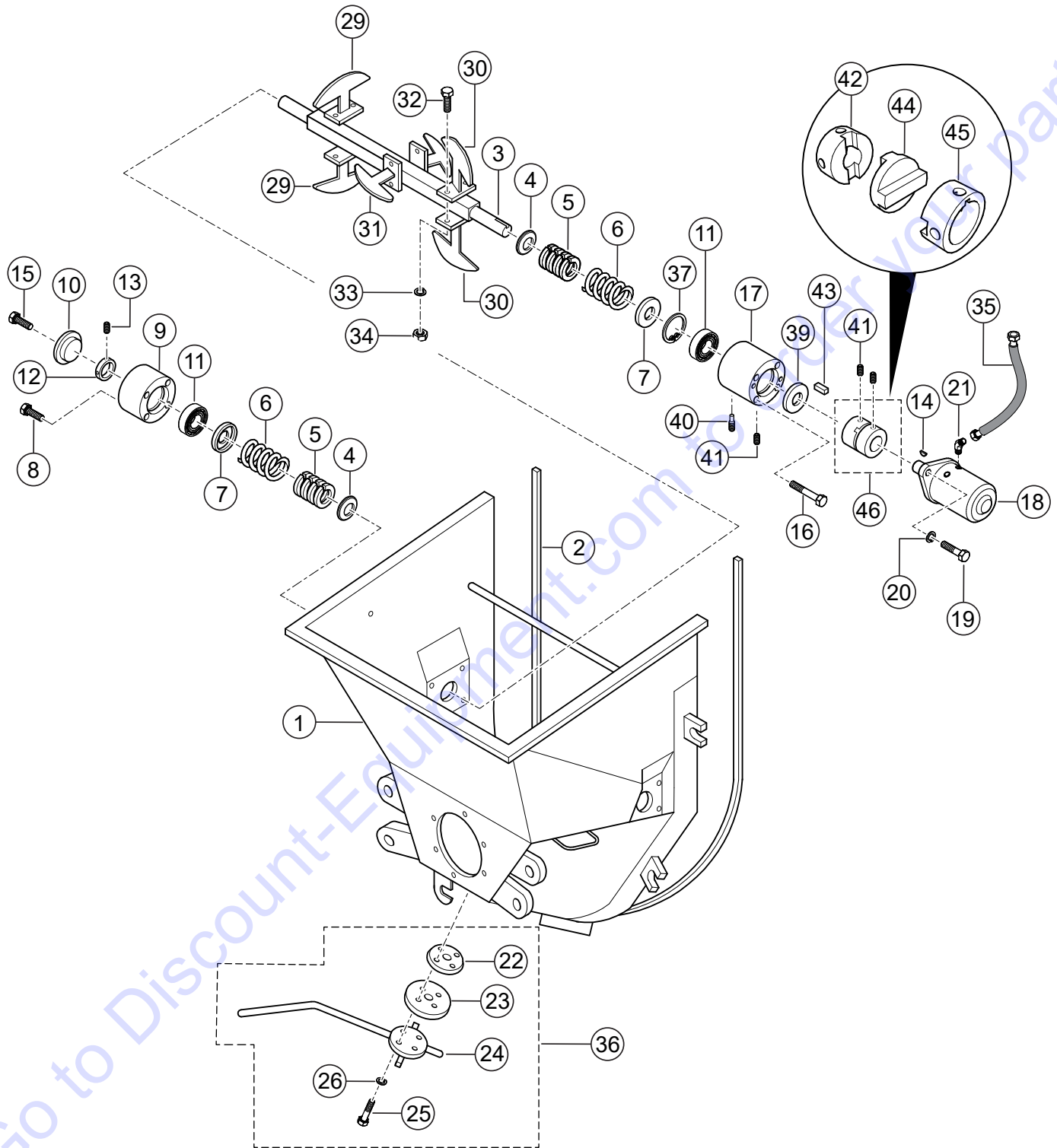


BATTERY ASSY.

<u>NO.</u>	<u>PART NO.</u>	<u>PART NAME</u>	<u>QTY.</u>	<u>REMARKS</u>
228	EM16738	BATTERY, 12V	1.....	OBTAIN LOCALLY
230	804691	BATTERY BOX	1	
238	514856	BATTERY CABLE, POSITIVE.....	1.....	3.7 FT. (1130 MM)
240	513577	BATTERY CABLE, NEGATIVE	1.....	3.0 FT. (900 MM)

Go to Discount-Equipment.com to order your parts

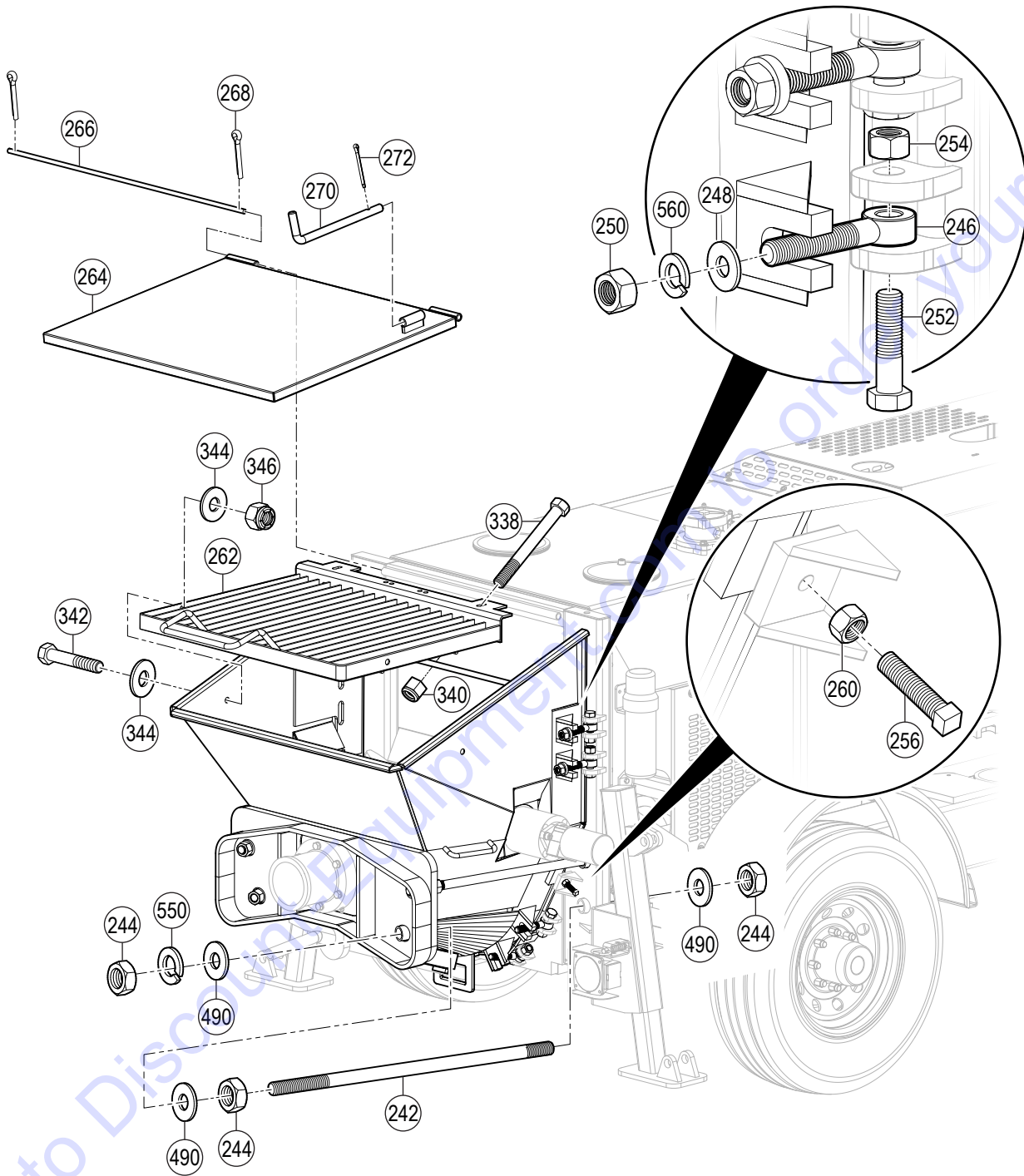
HOPPER ASSY.



HOPPER ASSY.

<u>NO.</u>	<u>PART NO.</u>	<u>PART NAME</u>	<u>QTY.</u>	<u>REMARKS</u>
1	EM515980	HOPPER ASSY.	1	
2	EM16184	HOPPER SEAL	1	
3	802873	REMIXER SHAFT	1	
4	EM200303	FOLLOWER RING	2	
5	EM200301	RING, PACKING	8	
6	EM516820	COMPRESSION SPRING	2	
7	EM514339	HOPPER SPRING SEAT	2	
8	EM510717	BOLT, 1/2" X 1-3/4"	4	
9	EM514338	SUPPORT, LEFT	1	
10	EM514706	END CAP, SHAFT SUPT.	1	
11	EM902153	BEARING	2	
12	EM200018	SET COLLAR	1	
13	EM703	SET SCREW	2	
14	EM500264	KEY, 3/8" X 30MM	1	
15	520467	BOLT, 5/16"NF X 1" GRD 8.8	4	
16	511427	SCREW, 1/2-13 X 3" ALLEN HD	4	
17	EM516780	HOUSING	1	
18	EM98108	MOTOR, REMIX	1	
19	505989	SCREW, SOCKET 1/2-13 X 1-1/4" GRD5	2	
20	6109180	WASHER, LOCK 1/2"	2	
21	EM25508	ADAPTER, FITTING	2	
22\$	EM708601	PISTON CUP HOLDER	1	
23\$	EM50417	PISTON CUP	1	
24\$	EM508830	HANDLE	1	
25\$	492378	BOLT, 3/8" X 1-3/4"	4	
26\$	0166 A	WASHER, LOCK 3/8"	4	
29	EM514031	PADDLE ARM, END	2	
30	EM514032	PADDLE ARM, MOTOR END	2	
31	EM514033	PADDLE ARM, CENTER	2	
32	EM963110	BOLT, HX HD 1/2-13 X 3-1/4"	6	
33	6109180	WASHER, LOCK 1/2"	6	
34	492589	NUT, HEX 1/2"	6	
36	EM70860	HOPPER CLEANOUT PLUG ASSY.....	1	INCLUDES ITEMS W/\$
37	EM490985	RETAINING RING	1	
39	EM516799	SPACER, 6MM	1	
40	EM702	SET SCREW, DOG POINT 3/8"	1	
41%	EM703	SET SCREW, 3/8"	3	
42%		REMIX SHAFT COUPLER.....	1	NOT SOLD SEPARATELY
43	EM500264	SQUARE KEY, 3/8" X 30MM	1	
44%		DRIVE MEMBER COUPLER.....	1	NOT SOLD SEPARATELY
45%		MOTOR SHAFT COUPLER.....	1	NOT SOLD SEPARATELY
46	802590	COUPLER ASSY.....	1	INCLUDES ITEMS W/%

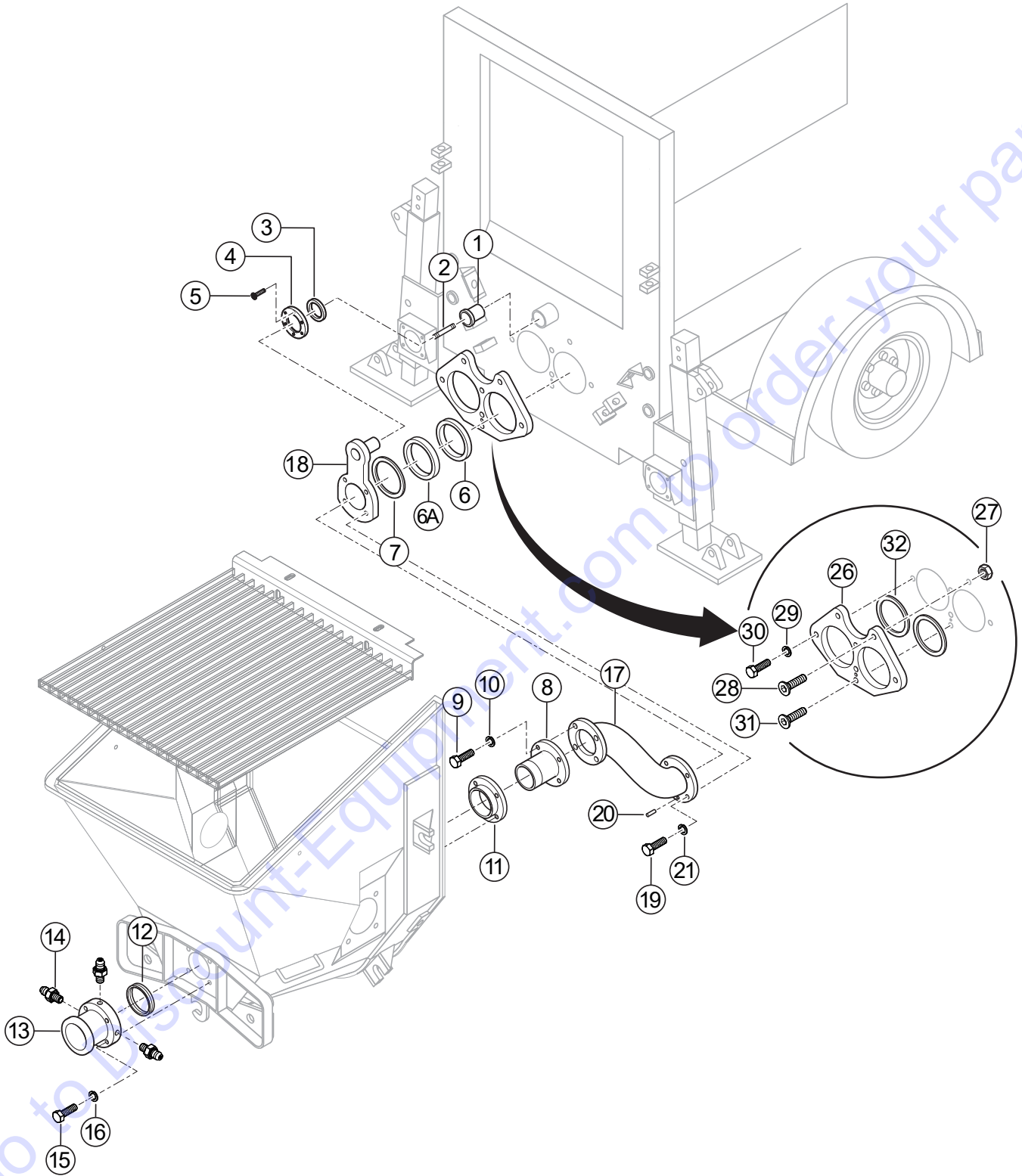
HOPPER ATTACHMENT ASSY.



HOPPER ATTACHMENT ASSY.

<u>NO.</u>	<u>PART NO.</u>	<u>PART NAME</u>	<u>QTY.</u>	<u>REMARKS</u>
242	EM16166	TIE-ROD 1"	4	
244	EM424	NUT, HEX 1" NC	12	
246	EM14165	BOLT EYE	8	
248	EM619	WASHER, 3/4"	8	
250	EM968446	NUT, HEX 3/4"	8	
252	505121	BOLT, 3/4" X 3"	8	
254	EM968446	NUT, HEX 3/4"	8	
256	505123	BOLT HEX HD. 1/2"X 2.1/2" NC	2	
260	492556	NUT, 1/2" HEX. NC G5 G.	5	
262	EM514357	GRATE	1	
264	EM514204	COVER, SPLASH	1	
266	EM514620	PIN, HINGE	1	
268	EM491686	PIN, COTTER	2	
270	EM70134-2	PIN	1	
272	EM505723	PIN, COTTER 5/32" X 1-1/2"	1	
338	515395	CAP SCREW 7/16"NC X 4" G5	2	
340	505081	NUT, HEX 7/16"	2	
342	492379	SCREW, CAP 3/8"	2	
344	3019092	WASHER, FLAT 3/8"	2	
346	EM969013	NUT, NYLOC	2	
490	EM501299	WASHER, 1" THICK .135	6	
550	492628	WASHER, LOCK 3/4"	8	
560	603	WASHER, LOCK 1"	6	

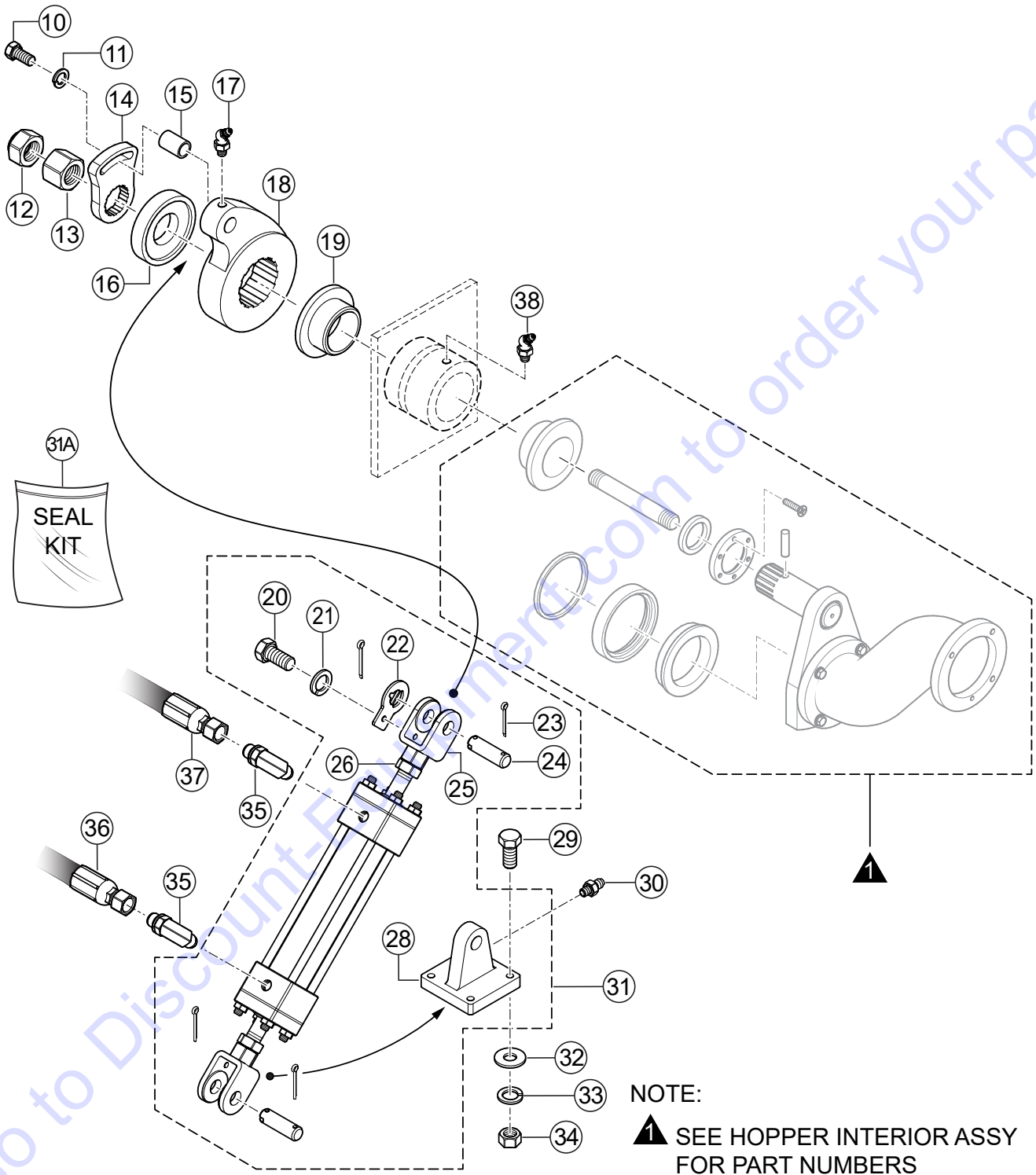
HOPPER INTERIOR ASSY.



HOPPER INTERIOR ASSY.

<u>NO.</u>	<u>PART NO.</u>	<u>PART NAME</u>	<u>QTY.</u>	<u>REMARKS</u>
1	EM800609	BUSHING, HOPPER SIDE	1	
2	EM284	STUD, 1-14 X 5" GRD 8	1	
3	800426	RUBBER SEAL	1	
4	800427	RETAINER PLATE	1	
5	506176	BOLT, 5/16-18 X 1" FHAS	6	
6	EM98022	RING, WEAR H/F	1	
6A	EM168161A	RING, ENERGIZER RUBBER	1	
7	EM168162	RING, INSERT STEEL	1	
8	EM16804	SLEEVE 5"	1	
9	EM104	BOLT, 5/8" X 2"	4	
10	EM923348	WASHER, LOCK 5/8"	4	
11	EM25803	BEARING, DISCHARGE PLATE	1	
12	EM98065	SEAL, GROOVED RUBBER	1	
13	EM512212	DISCHARGE NIPPLE	1	
14	491701	GREASE FITTING	3	
15	EM210	BOLT, 5/8" X 2"	6	
16	6109180	WASHER, 1/2"	6	
17	EM16811	SHUTTLE CYLINDER	1	
18	EM25843	NUN PLATE	1	
19	EM104	BOLT, HEX HD 5/8" X 2"	4	
20	419719	PIN	1	
21	EM923348	WASHER, LOCK 5/8"	4	
26	EM98021A	WEAR PLATE, ONE SIDED	1	
27	EM968013	NUT, HEX 5/8-11 BRT. FIN.	2	
28	EM265	BOLT, 5/8-11 X 3" COUNTER SUNK	2	
29	492628	WASHER, LOCK 3/4"	2	
30	EM151	BOLT, HEX HD 3/4-10 X 2"	2	
31	EM264	BOLT, 1/2-13 X 3"	1	
32	EM517700	O-RING	2	

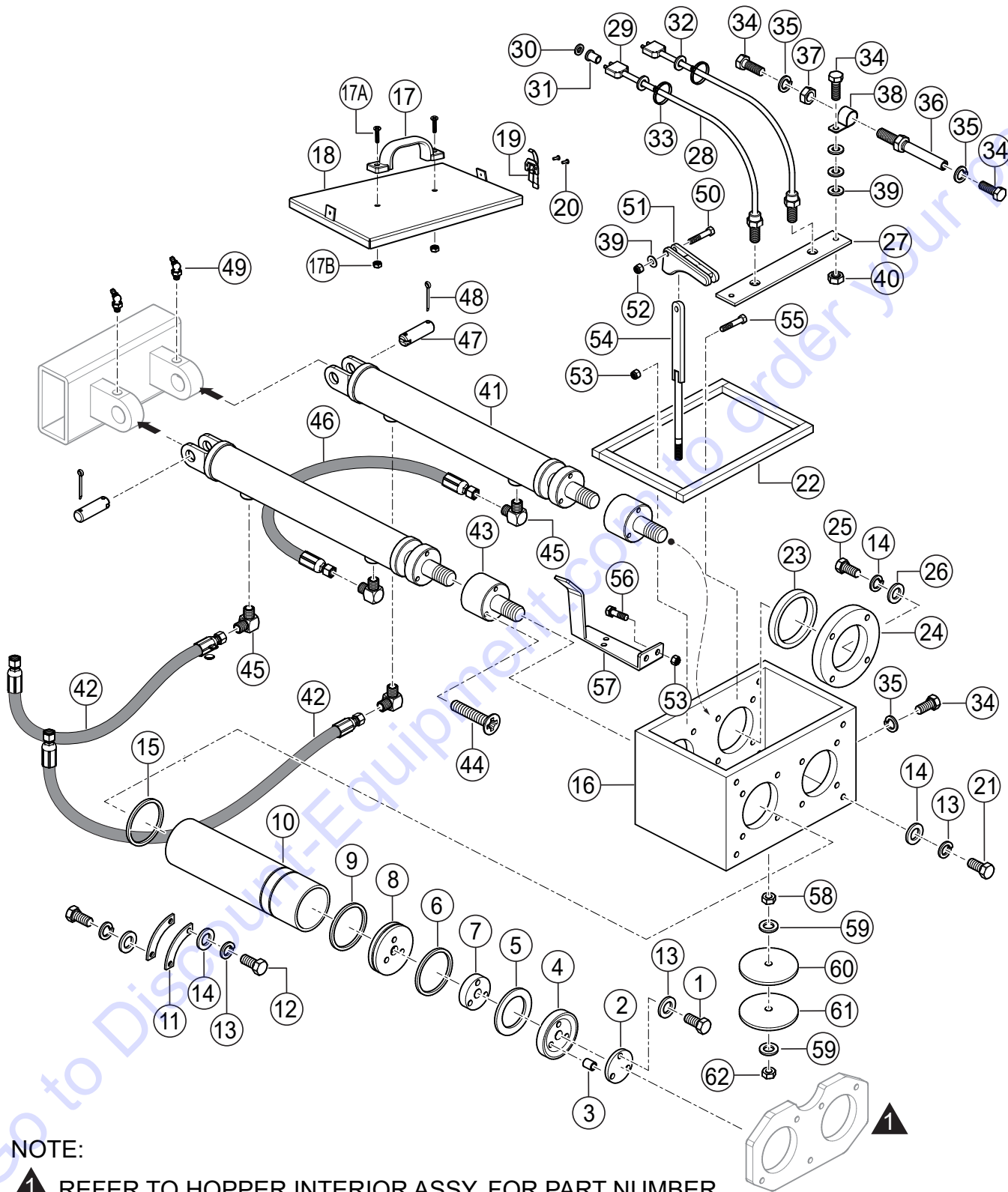
SHUTTLE CYLINDER ASSY.



SHUTTLE CYLINDER ASSY.

<u>NO.</u>	<u>PART NO.</u>	<u>PART NAME</u>	<u>QTY.</u>	<u>REMARKS</u>
10	EM963692	BOLT, 1/2" UNC X 1-1/2"	1	
11	492626	WASHER, LOCK 1/2"	1	
12	EM417	NUT, FLEX LOCK 1-14NF GRD 5	1	
13	EM509221	NUT, 1-14UNF, GRD 5	1	
14	518555	CRANK ARM NUT LOCK	1	
15	518556	BUSHING, CRANK ARM	1	
16	EM16814	SHUTTLE TENSIONER	1	
17	EM50449	FITTING ELBOW	1	
18	EM25236	SHUTTLE CRANK, SPLINED SHAFT	1	
19	EM16145A	BUSHING, SWING AXLE	1	
20\$	492363	BOLT, 5/16" NC X 3/4" GRD 5	1	
21\$	EM923343	WASHER, LOCK 5/16"	1	
22\$	802009	LOCK	1	
23\$	EM924008	COTTER PIN, 1/8" X 1-1/2"	4	
24\$	521139	WRIST PIN	2	
25\$	521141	FEMALE CLEVIS	1	
26\$	515249	NUT, JAM 1-14	2	
28\$	EM254549	PIVOT BRACKET	1	
29	492397	SCREW, 1/2"NC X 2-1/2" GRD 5	4	
30	EM505490	GREASE FITTING	2	
31	EM98106	CYLINDER SHUTTLE ASSY.	1	INCLUDES ITEMS W/\$
31A	EM98106SK	SEAL KIT, SHUTTLE CYLINDER	1	
32	EM621	WASHER, 1/2"	4	
33	6109180	WASHER, LOCK 1/2"	4	
34	492584	NUT, LOCK 1/2"NC	4	
35	3322	FITTING, 90° 10MJ-10MO	2	
36	802797	HOSE, HYDRAULIC	1	
37	802798	HOSE, HYDRAULIC	1	
38	EM510684	GREASE FITTING	1	

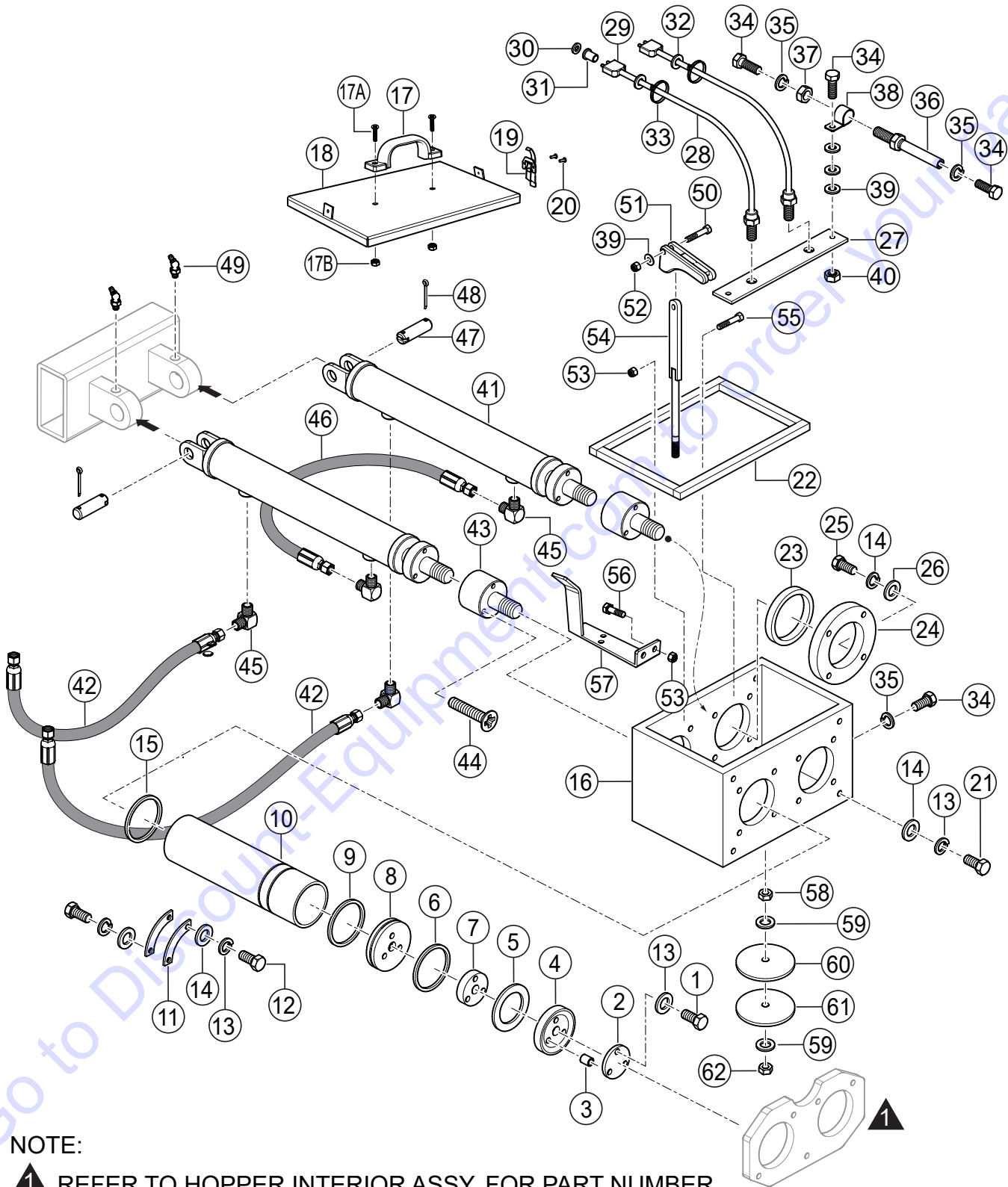
LUBRICATION PISTONS ASSY.



LUBRICATION PISTONS ASSY.

<u>NO.</u>	<u>PART NO.</u>	<u>PART NAME</u>	<u>QTY.</u>	<u>REMARKS</u>
1	510265	BOLT, HX HD 3/8"NC X 3-1/2" GRD 8	6	
2	EM806441TT	FACE PLATE	2	
3	EM16465	PISTON CUP SPACER	6	
4	EM98050Y	CUP, PISTON-YELLOW	2	
5	EM806440	RING, BRONZE	2	
6	EM16493	RING, FELT	2	
7	EM806439	HOLDER, FELT	2	
8	EM16461	OILER PLATE	2	
9	EM14407	O-RING, OILER PLATE	2	
10	EM25801	CYLINDER, CONCRETE	2	
11	EM25110	RETAINER, CYLINDER	4	
12	EM963610	CAP SCREW, 3/8"NC X 1-1/4" GRD 8	8	
13	804602	WASHER, LOCK 3/8" GRD 8	20	
14	3019092	WASHER, FLAT 3/8"	22	
15	EM16174	O-RING, A440	2	
16	802761	LUBRICATION BOX	1	
17	802751	HANDLE, PLASTIC	1	
17A	513312	BOLT, 1/4" X 1"	2	
17B	492581	NUT, 1/4-20 NYLON LOCK	2	
18	802997	COVER, LUBRICATION BOX	1	
19	EM514610	LATCH, COVER	1	
20	491754	RIVET, AM-66	4	
21	492378	BOLT, 3/8"NC X 1-3/4"	6	
22	800033	SEAL, SQUARE	1	
23	EM274351	SEAL, LUBE BOX	2	
24	EM50425	FLANGE, RING	2	
25	492451	BOLT, 3/8-24 X 1"	8	
26	EM50443	SEAL, OIL BOX	8	
27	EM514208	BAR, PROXIMITY SWITCH SUPPORT	2	
28	EM98163	SWITCH, PROXIMITY W/CABLE	2	
29	EM98135	HOUSING, FEMALE	2	
30	EM98134	SEAL, CONNECTOR HOUSING	6	
31	EM98138	TERMINAL PIN, FEMALE	6	
32	514611	GROMMET	2	
33	EM504505	TIE WRAP	8	
34	492303	SCREW, 5/16-18 X 1-1/4"	6	
35	EM923343	WASHER, LOCK 5/16"	6	
36	EM514216	ADJUSTMENT ROD, PROX. SWITCH	2	
37	6109160	NUT, HEX 1/2"	4	
38	EM514207	BRACKET, ADJUSTMENT ROD	2	
39	923023	WASHER, FLAT 5/16"	7	
40	2105164	NUT, 5/16"	2	

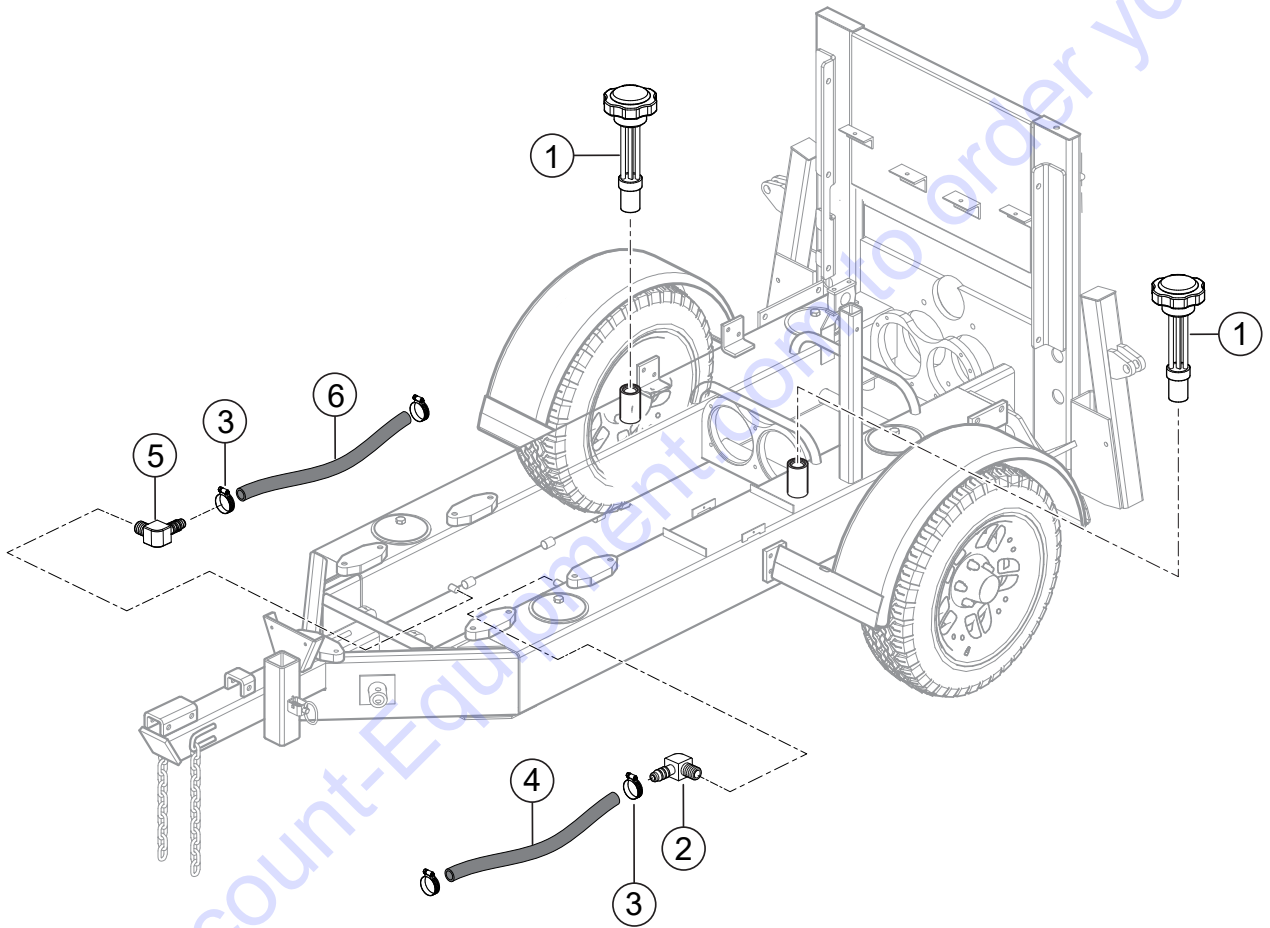
LUBRICATION PISTONS ASSY. (CONT'D.)



LUBRICATION PISTONS ASSY. (CONT'D.)

<u>NO.</u>	<u>PART NO.</u>	<u>PART NAME</u>	<u>QTY.</u>	<u>REMARKS</u>
41	EM98211	CYLINDER, HYDRAULIC, MAIN	2	
42	EM514920	HOSE, HYDRAULIC, MAIN CYL.	2	
43	EM806438	ADAPTER, PISTON	2	
44	EM185	BOLT, SOCKET HEAD 3/8-16 X 3"	6	
45	EM25497	FITTING, 90°	4	
46	514067	HOSE, HYDRAULIC SLAVE	1	
47	EM16459	PIN, WRIST	2	
48	EM505723	PIN, COTTER	4	
49	EM491701	FITTING, GREASE	2	
50	492379	SCREW, CAP 3/8"	1	
51	802678	LEVER, RELEASE	1	
52	EM969013	NUT, NYLOK 3/8"NC	1	
53	2105164	NUT, NYLOK 5/16-18	1	
54	802677	PLUNGER, ROD	1	
55	2105162	BOLT, 5/16"NC X 1-3/4" GRD 5	2	
56	0202	SCREW, HHC 5/16-18 X 1" ZN	2	
57	802850	BRACKET, HOSE	1	
58	802955	NUT	1	
59	492599	WASHER, 1/2"	2	
60	802682	RUBBER SEAL	1	
61	802681	SEAL PLATE	1	
62	492584	NUT, LOCK 1/2"	1	

FUEL TANK ASSY.

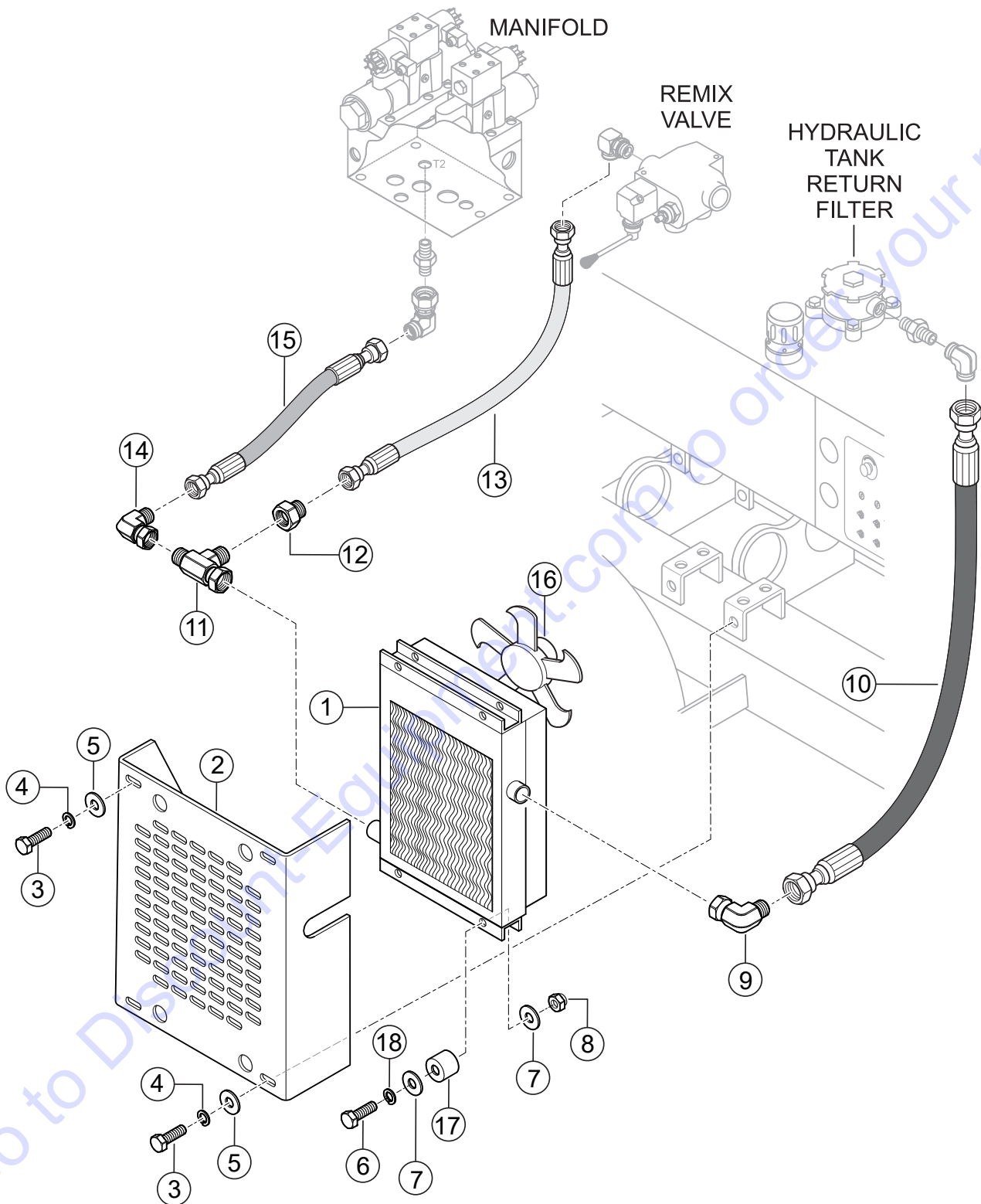


FUEL TANK ASSY.

<u>NO.</u>	<u>PART NO.</u>	<u>PART NAME</u>	<u>QTY.</u>	<u>REMARKS</u>
1	34507	FUEL CAP W/GAUGE	2	
2	EM514559	ELBOW, ADAPTER 90° MALE	1	
3	506208	CLAMP	4	
4	EM514536	HOSE, FUEL RETURN 5/16"	A/R.....	1 PC. =1 FT.
5	EM20426	ELBOW, BRASS 1/4" X 1/4" H	1	
6	EM20427	HOSE, 1/4" FUEL	A/R.....	1 PC. =1 FT.

Go to Discount-Equipment.com to order your parts

HEAT EXCHANGER ASSY.



HEAT EXCHANGER ASSY.

<u>NO.</u>	<u>PART NO.</u>	<u>PART NAME</u>	<u>QTY.</u>	<u>REMARKS</u>
1	EM518993	HEAT EXCHANGER ASSY.	1	
2	EM519002	COVER, HEAT EXCHANGER	1	
3	EM963610	CAP SCREW, 3/8" NC X 1-1/4" GRD 8	4	
4	0166 A	WASHER, LOCK 3/8"	4	
5	3019092	WASHER, FLAT 3/8"	4	
6	EM492366	BOLT 5/16 X 1-1/2"	4	
7	EM923023	WASHER, FLAT 5/16"	8	
8	2105164	NUT 5/16"	4	
9	EM25497	FITTING	1	
10	EM514607	HOSE 4000 PSI	1	
11	EM25566	TEE 1", O-RING HYD. FITTING	1	
12	EM509345	FITTING	1	
13	EM514606	HOSE, 2000 PSI	1	
14	EM509401	ADAPTER	1	
15	519136	HOSE, 2000 PSI	1	
16	EM518993FM	MOTOR AND FAN ASSY.	1	
17	519271	CUSHION	2	
18	EM923343	WASHER, LOCK 5/16"	8	

PARTS FINDER

**Search Website
by Part Number**



**Search Manual
Library For Parts
Manual & Lookup Part
Numbers – Purchase
or Request Quote**

Search Manuals

Enter your information to help us find the right parts manual for your machine.

* Brand:

* Model:

* Serial:

* Part Number:

SEARCH

**Can't Find Part or
Manual? Request Help
by Manufacturer,
Model & Description**

Parts Order Form

Please fill in the following information to help us find the right part for your machine.

Manufacturer:	<input type="text"/>
Model:	<input type="text"/>
Description:	<input type="text"/>
Part Number:	<input type="text"/>
Quantity:	<input type="text"/>
Notes:	<input type="text"/>

Submit

Discount-Equipment.com is your online resource for quality parts & equipment.

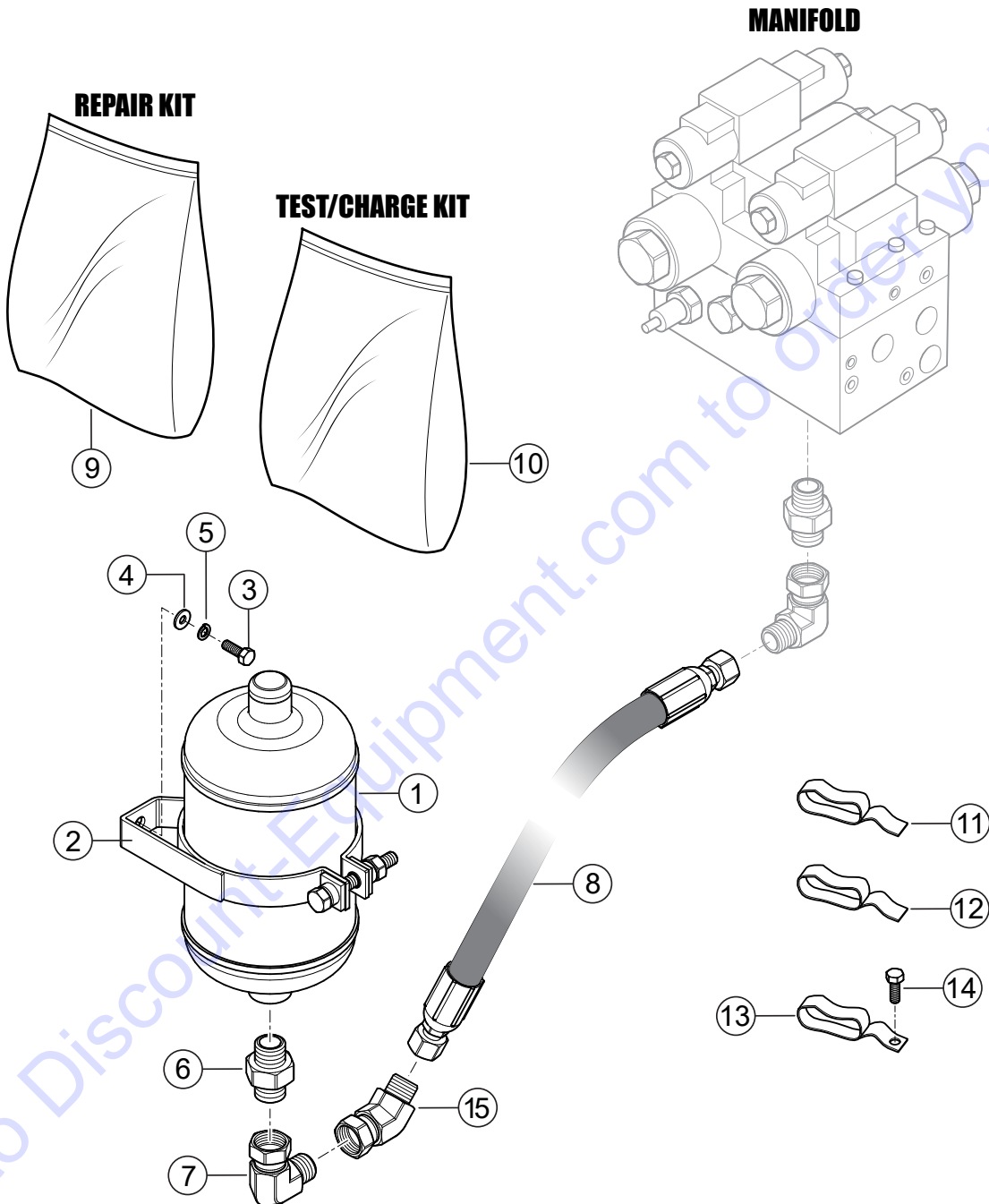
Florida: **561-964-4949** Outside Florida TOLL FREE: **877-690-3101**

Need parts?

Click on this link: <http://www.discount-equipment.com/category/5443-parts/> and choose one of the options to help get the right parts and equipment you are looking for. Please have the machine model and serial number available in order to help us get you the correct parts. If you don't find the part on the website or on one of the online manuals, please fill out the request form and one of our experienced staff members will get back to you with a quote for the right part that your machine needs.

We sell worldwide for the brands: Genie, Terex, JLG, MultiQuip, Mikasa, Essick, Whiteman, Mayco, Toro Stone, Diamond Products, Generac Magnum, Airman, Haulotte, Barreto, Power Blanket, Nifty Lift, Atlas Copco, Chicago Pneumatic, Allmand, Miller Curber, Skyjack, Lull, Skytrak, Tsurumi, Husquvarna Target, Stow, Wacker, Sakai, Mi-T-M, Sullair, Basic, Dynapac, MBW, Weber, Bartell, Bennar Newman, Haulotte, Ditch Runner, Menegotti, Morrison, Contec, Buddy, Crown, Edco, Wyco, Bomag, Laymor, EZ Trench, Bil-Jax, F.S. Curtis, Gehl Pavers, Heli, Honda, ICS/PowerGrit, IHI, Partner, Imer, Clipper, MMD, Koshin, Rice, CH&E, General Equipment, Amida, Coleman, NAC, Gradall, Square Shooter, Kent, Stanley, Tamco, Toku, Hatz, Kohler, Robin, Wisconsin, Northrock, Oztec, Toker TK, Rol-Air, APT, Wylie, Ingersoll Rand / Doosan, Innovatech, Con X, Ammann, Mecalac, Makinex, Smith Surface Prep, Small Line, Wanco, Yanmar

ACCUMULATOR ASSY.

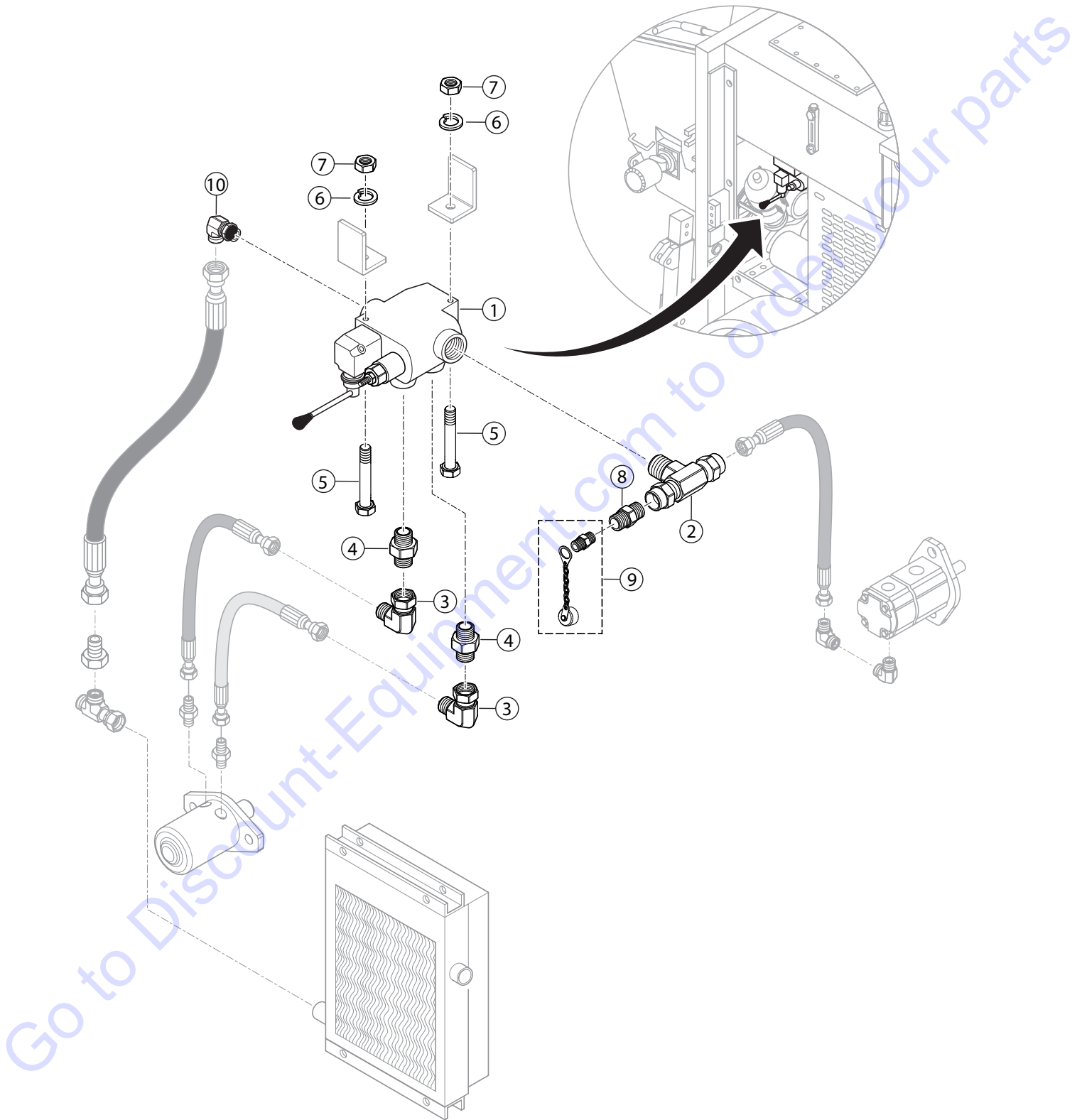


ACCUMULATOR ASSY.

<u>NO.</u>	<u>PART NO.</u>	<u>PART NAME</u>	<u>QTY.</u>	<u>REMARKS</u>
1	EM97015	ACCUMULATOR 1 GAL.	1	
2	EM97016	BRACKET, ACCUMULATOR	1	
3	EM963055	BOLT, HHCS 3/8" NC X 3/4" GRD 5	2	
4	3019092	WASHER, FLAT 3/8"	2	
5	0166 A	WASHER, LOCK 3/8"	2	
6	EM509425	FITTING, STRAIGHT	1	
7	EM509353	FITTING, 90° ELBOW	1	
8	EM514603	HOSE, ACCUMULATOR	1	
9	EM98009	KIT, ACCUMULATOR REPAIR	1	
10	EM98052	KIT, ACCUMULATOR TEST/CHARGE	1	
11	EM515105	STRAP CINCH 4" STD DUTY	2	
12	EM515106	STRAP CINCH 6" STD DUTY	6	
13	EM515107	STRAP HANGING, 8" HVY DUTY	2	
14	EM492299	BOLT, HEX HD 5/16" X 1/2"	2	
15	518198	ADAPTER, ELBOW 45°	1	

Go to Discount-Equipment.com to order your parts

REMIXER CONTROL ASSY.

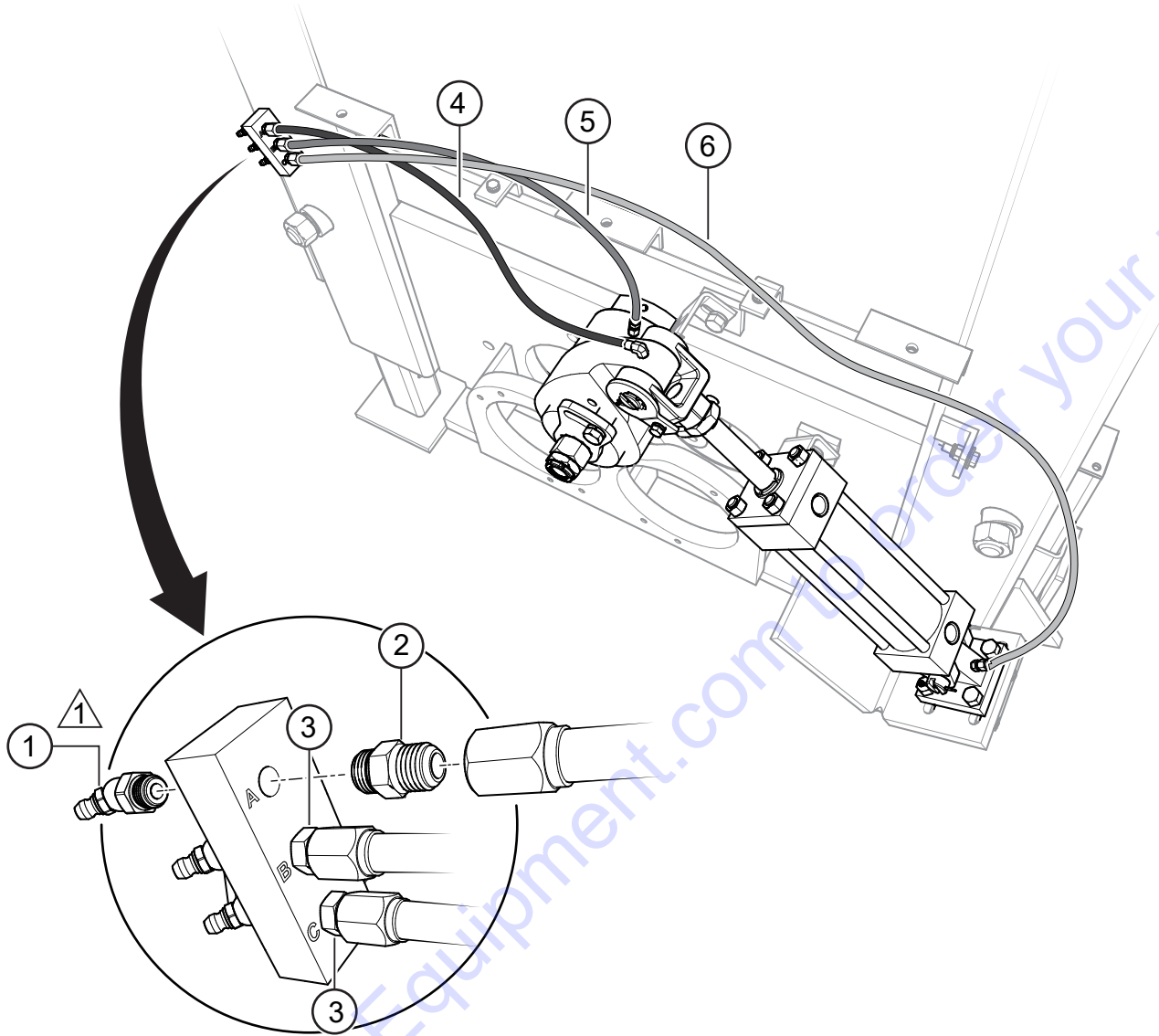


REMIXER CONTROL ASSY.

<u>NO.</u>	<u>PART NO.</u>	<u>PART NAME</u>	<u>QTY.</u>	<u>REMARKS</u>
1	EM97017	VALVE REMIXER W/LEVER	1	
2	515384	ADAPTER FITTING, TEE	1	
3	506195	FITTING, 90° ELBOW	1	
4	EM25509	ADAPTER FITTING, STRAIGHT	2	
5	EM218	BOLT 5/16" X 2-1/2"	2	
6	EM923343	WASHER, LOCK 5/16"	2	
7	2105164	NUT, HEX 5/16"	2	
8	EM98015	COUPLING 1/4" PIPE	1	
9	EM98014	TEST PORT	1	
10	EM25507	FITTING, 90° ELBOW	1	

Go to Discount-Equipment.com to order your parts

LUBRICATION PANEL ASSY.



POSITION	LOCATION	LENGTH OF LINES
A	CLEVIS GREASE POINT	34 in. (1.1 m)
B	SWING AXLE BUSHING GREASE POINT	26 in. (.85 m)
C	PIVOT BRACKET GREASE POINT	41 in. (1.5 m)

NOTE:

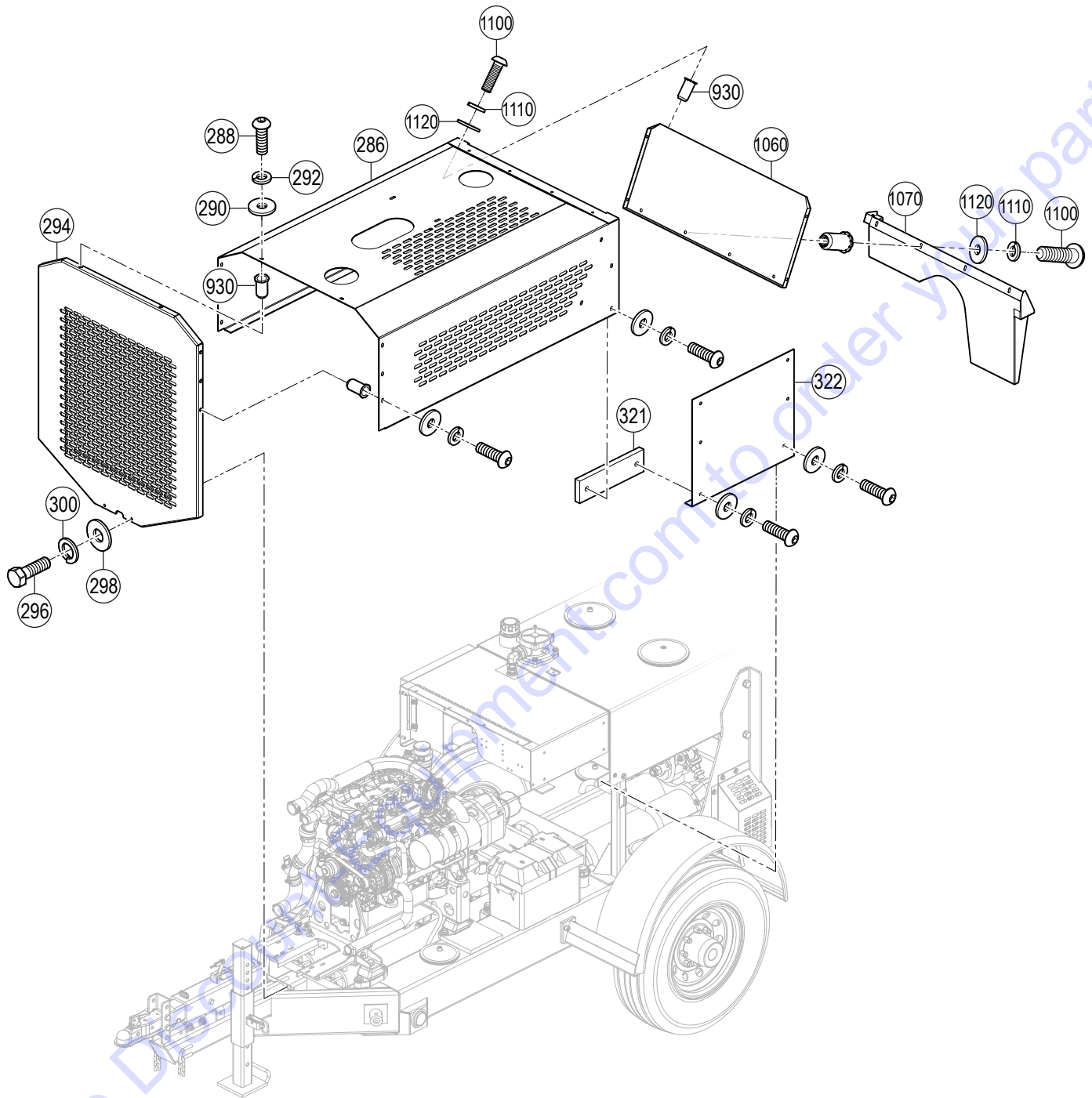
- 1 GREASE DAILY, TWO OR THREE SHOTS OF #2 MULTIPURPOSE AUTOMOTIVE GREASE. OVERGREASING ANY BEARING WILL NOT DAMAGE THE MACHINE. ALWAYS GREASE **BEFORE AND AFTER OPERATION.**

LUBRICATION PANEL ASSY.

<u>NO.</u>	<u>PART NO.</u>	<u>PART NAME</u>	<u>QTY.</u>	<u>REMARKS</u>
1	EM491701	GREASE FITTING	3	
2	515328	ADAPTOR, FITTING	1	
3	EM510684	GREASE FITTING	2	
4	802639	HOSE, RUBBER	1	
5		STEEL LINE.....	AR.....	OBTAIN LOCALLY
6	EM505516	HOSE, PLASTIC 1/4"	AR.....	1 PC=1 FT

Go to Discount-Equipment.com to order your parts

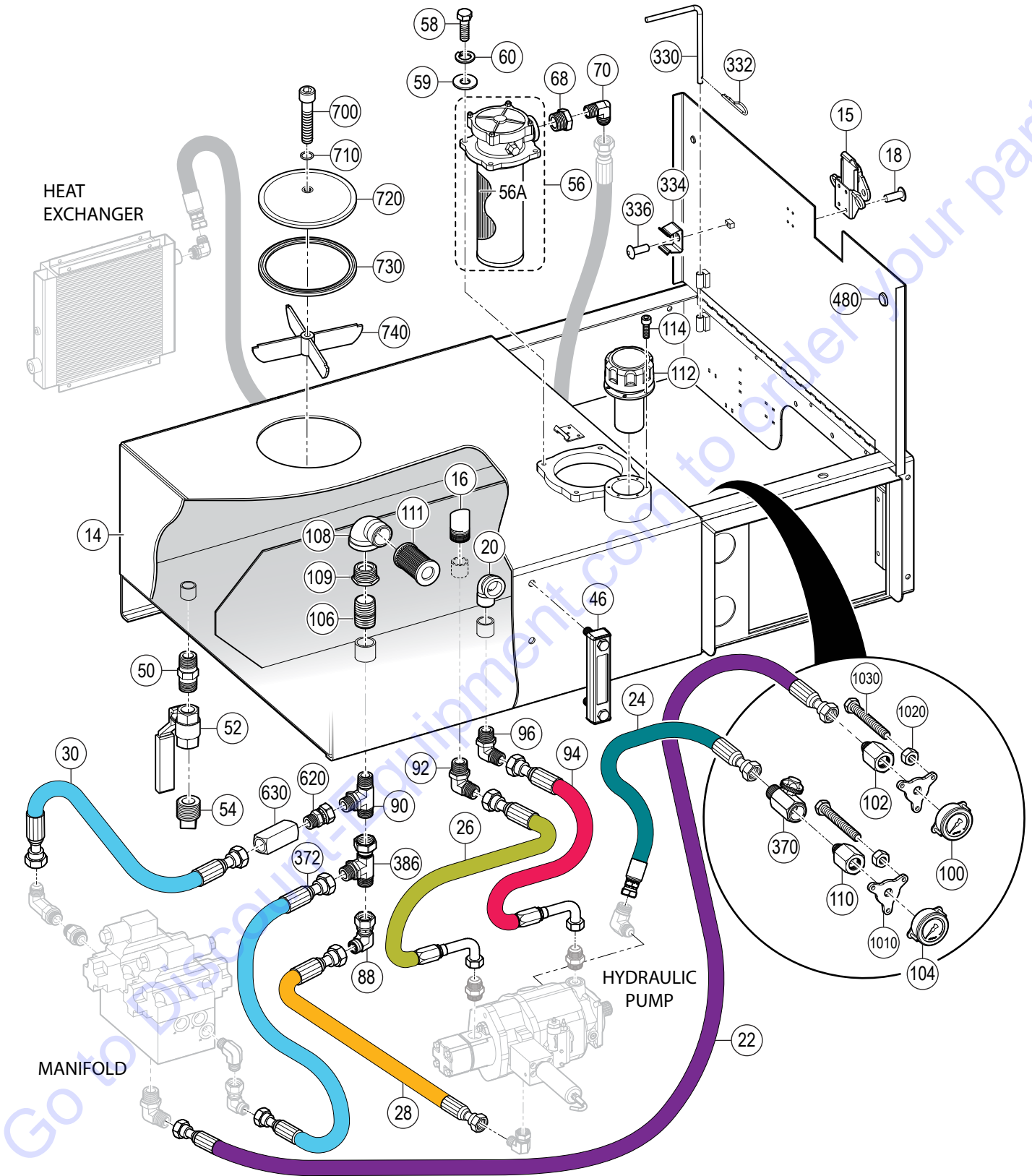
ENGINE COVER ASSY.



ENGINE COVER ASSY.

<u>NO.</u>	<u>PART NO.</u>	<u>PART NAME</u>	<u>QTY.</u>	<u>REMARKS</u>
286	EM806936	COVER, TOP ENGINE	1	
288	DULT100443	SCREW M6 X 20 GRD. 2	18	
290	EM923057	WASHER, 1/4"	18	
292	2101402	WASHER, LOCK 1/4" DIA.	18	
294	EM806943	COVER, FRONT ENGINE	1	
296	492356	BOLT, 1/4" X 3/4"	2	
298	EM923057	WASHER, 1/4"	2	
300	2101402	WASHER, LOCK 1/4" DIA.	2	
321	517733	COVER SUPPORT BRACKET	1	
322	517734	COVER	1	
930	DULT100602	RIVET, NUT M6	11	
1060	806944	INTERIOR, DEFLECTOR	1	
1070	806948	ASSEMBLY, DEFLECTOR SKIRT	1	
1100	DULT100443	BOLT, M6 X 20 GRD 2	14	
1110	EM923057	WASHER, 1/4"	14	
1120	2101402	WASHER, LOCK 1/4" DIA.	14	

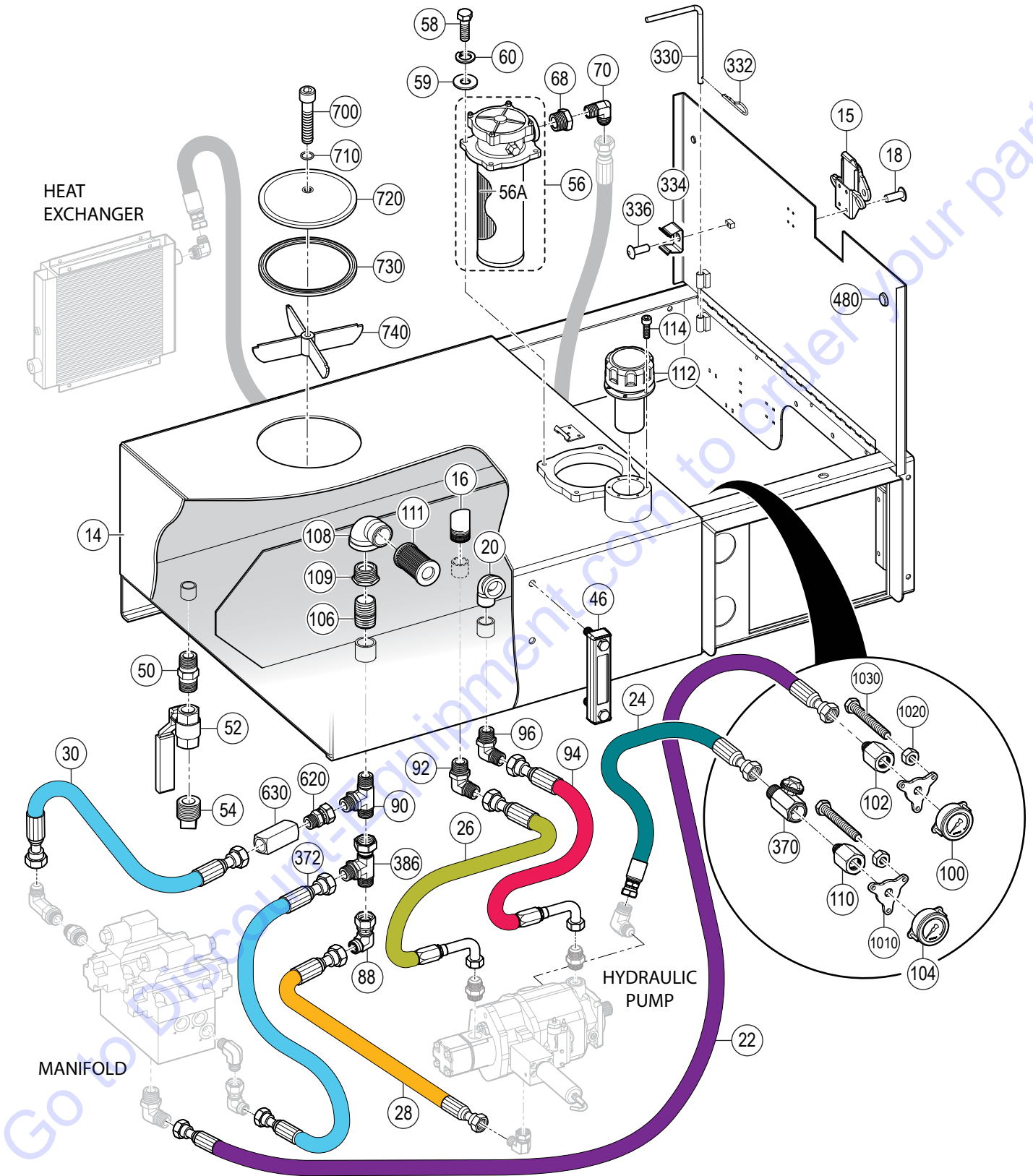
HYDRAULIC TANK ASSY.



HYDRAULIC TANK ASSY.

NO.	PART NO.	PART NAME	QTY.	REMARKS
14	EM514040	TANK, HYDRAULIC	1	USED UNTIL MARCH 2022 UP TO S/N N03
14	EM522254	TANK, HYDRAULIC	1	USED FROM APRIL 2022 STARTING S/N N04
15	EM517295	LOCK, TWIST	1	
16	EM514622	FITTING 1"	1	
18	491757	RIVET, ID PLATE	4	
20	EM491164	ELBOW 3/4"	1	
22	514602	HOSE, HYD. ACCUMULATOR GUAGE	1	
24	516448	HOSE, HYD. MAIN PRESSURE GUAGE	1	
26	514597	HOSE, HYDRAULIC PUMP SECONDARY	1	
28	517027	HOSE, HYD. CONTROL VALVE	1	
30	802794	HOSE, HYD. MANIFOLD	1	
46	EM98188	SIGHT GAUGE	1	
50	509369	ADAPTER, 1/2-FF-S	1	
52	491237	GATE VALVE 1/2"NPT FEMALE VALVE	1	
54	506094	PLUG 1/2"NPT GALVANIZED	1	
56	EM98112A	FILTER RETURN	1	INCLUDES ITEMS W/# USED UNTIL MARCH 2022 UP TO S/N N03
56	EM522326	FILTER RETURN	1	INCLUDES ITEMS W/\$ USED FROM APRIL 2022 STARTING S/N N04
56A#	EM98275	INTERNAL FILTER ELEMENT	1	USED UNTIL MARCH 2022 UP TO S/N N03
56A\$	EM522326E	INTERNAL FILTER ELEMENT	1	USED FROM APRIL 2022 STARTING S/N N04
58	EM963610	CAP SCREW	4	
59	3019092	WASHER, FLAT 3/8"	4	
60	0166 A	WASHER, LOCK 3/8" DIA.	4	
68	EM16517	BUSHING.....	1	USED UNTIL MARCH 2022 UP TO S/N N03
68	EM522324	BUSHING.....	1	USED FROM APRIL 2022 STARTING S/N N04
70	EM18436	ELBOW 90 DEG. MALE	1	
88	EM509401	ELBOW	1	
90	EM509343	TEE	1	
92	EM18436	ELBOW 90 DEG. MALE	1	
94	EM514597	HOSE	1	
96	509784	ADAPTER	1	
100	EM97066	GAUGE, 3000 PSI	1	
102	EM25523	ADAPTER	1	
104	EM97067	GAUGE, 5000 PSI	1	
106	EM491189	ELBOW	1	
108	16433	TUBE, FRONT DRIVE	1	
109	516813	REDUCTION, BUSHING 1-1/2"	1	
110	EM25523	ADAPTER	1	
111	EM16513	DEFUSER HYDRAULIC TANK	1	
112	EM98263	CAP, FILLER	1	
114	492267	BOLT, ALLEN 10 X 32 X 26" SC-40	6	

HYDRAULIC TANK ASSY. (CONT'D.)

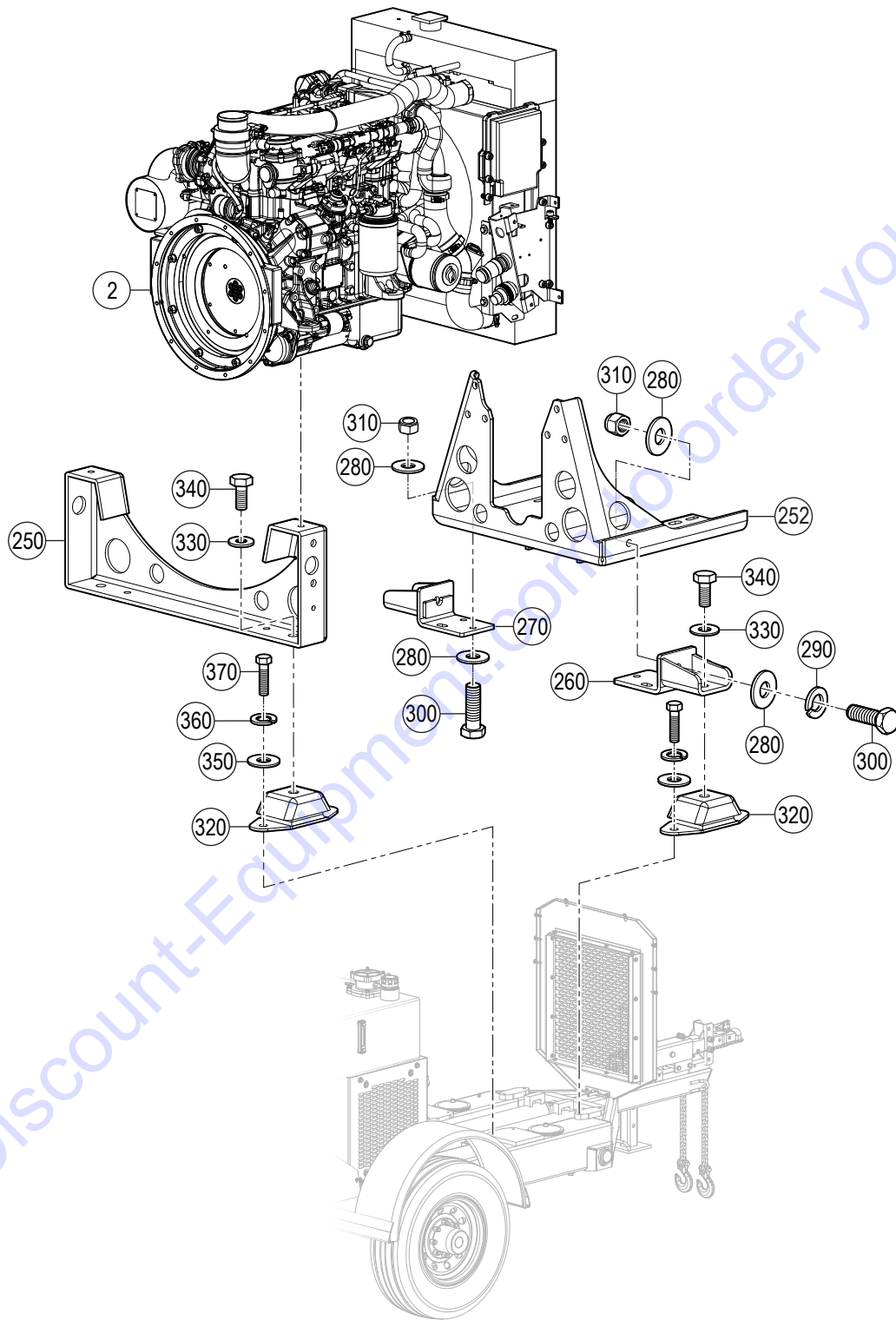


HYDRAULIC TANK ASSY. (CONT'D.)

<u>NO.</u>	<u>PART NO.</u>	<u>PART NAME</u>	<u>QTY.</u>	<u>REMARKS</u>
330	515129	LEVER, LOCK	1	
332	745	PIN, LOCK	1	
334	511474	FASTENER, ACCESS DOOR	1	
336	512881	RIVET	1	REPLACES P/N 503723
370	EM16414	VALVE, NEEDLE	1	
372	800800	HOSE	1	
386	EM509344	TEE	1	
480	EM505186	CUSHION, RUBBER.....	2	REPLACES P/N 505186
600	519271	CUSHION	4	
610	2105164	NUT, NYLON 5/16"-18	4	
620	519268	ADAPTER FITTING	1	
630	519138	CHECK VALVE	1	
700	505990	BOLT 1/2" X 2-1/2"	2	
710	520343	O-RING	2	
720	800299	HYDRAULIC TANK COVER	2	
730	EM801789	GASKET, TANK	2	
740	301010630	SPRING CYLINDER	2	
1010	804077	BRACKET, GAUGE	2	
1020	2105164	NUT, HEX 5/16" DIA-NC	6	
1030	518702	SCREW	6	

Go to Discount-Equipment.com to order your parts

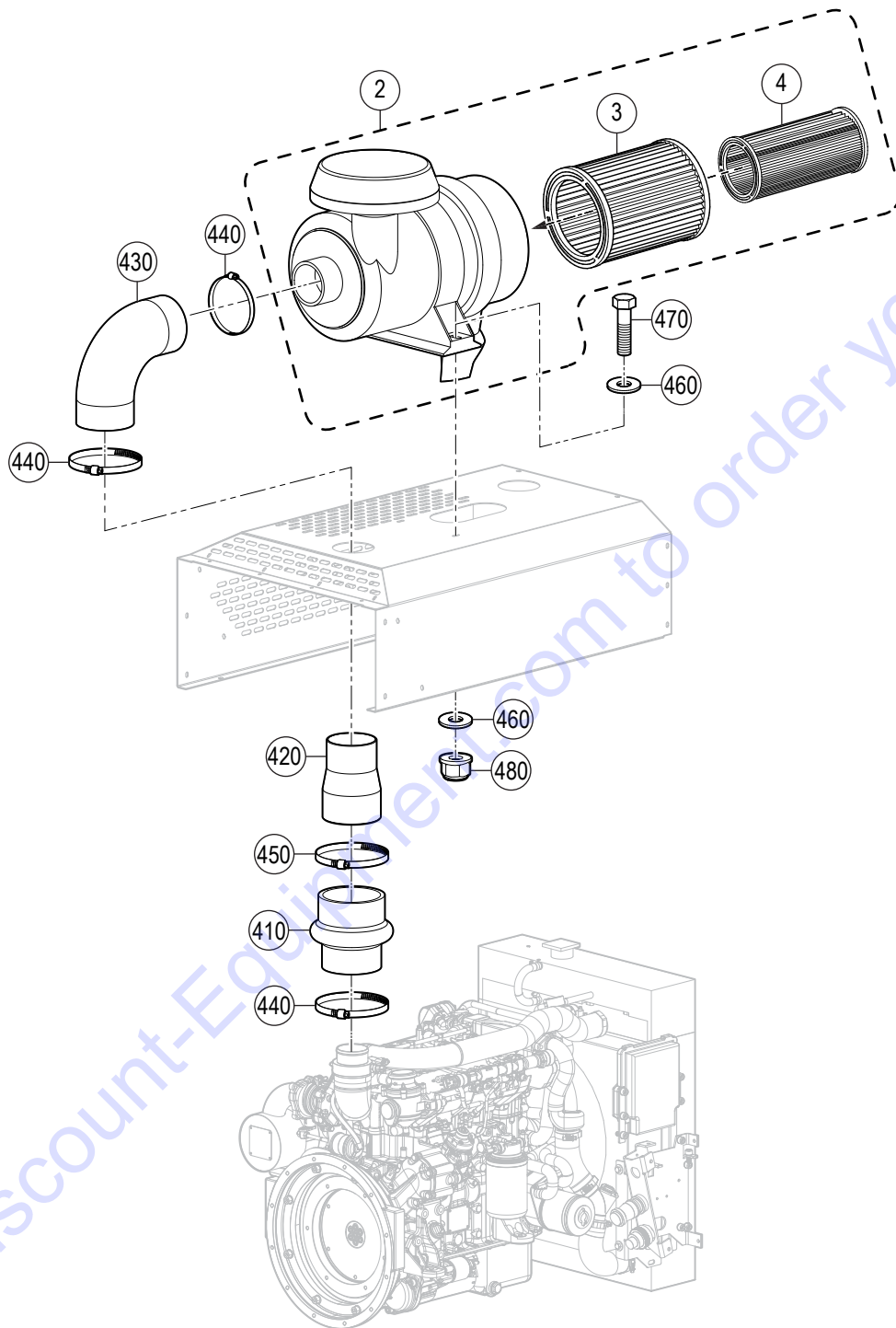
ENGINE MOUNTING EXHAUST ASSY.



ENGINE MOUNTING EXHAUST ASSY.

2	521604	ENGINE, HATZ 74.5 HP, T4F	1
250	807052	SUPPORT, HATZ ENGINE (REAR)	1
252	05482800	SUPPORT, HATZ ENGINE (FRONT)	1
260	806977	FRONT SUPPORT, RIGHT ENGINE	1
270	806980	FRONT SUPPORT, LEFT ENGINE	1
280	504485	WASHER, FLAT 7/16"	16
290	EM492625	WASHER, LOCK 7/16"	2
300	521755	SCREW, 7/16"NC X 1-3/4" G5	8
310	505081	NUT, HEX 7/16"	8
320	518883	MOUNT, ENGINE FOOT	4
330	EM923023	WASHER, FLAT 5/8"	4
340	DULT100301	SCREW, M16 X 30 G8	4
350	6109170	WASHER, FLAT 1/2" DIA.	8
360	6109180	WASHER, LOCK 1/2" DIA.	8
370	EM963102	BOLT, G-5	8
380	506622	WASHER, M10	6
390	54812	SOCKET HD. BOLT 10 X 25MM	6

ENGINE AIR FILTER ASSY.

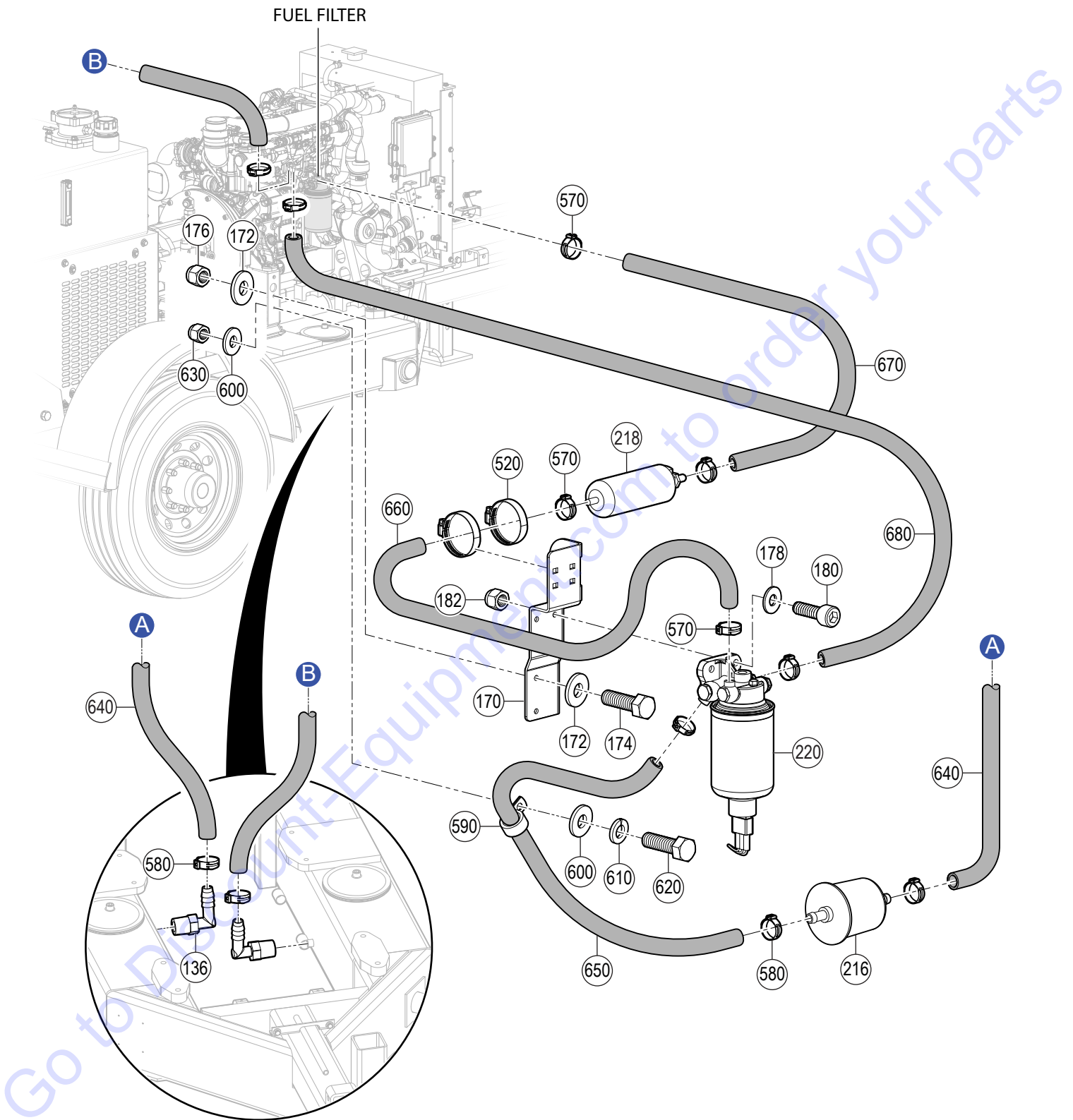


ENGINE AIR FILTER ASSY.

<u>NO.</u>	<u>PART NO.</u>	<u>PART NAME</u>	<u>QTY.</u>	<u>REMARKS</u>
2	02366900	AIR FILTER ASSEMBLY	1.....	INCLUDES ITEMS W/\$
3\$	50638200	AIR FILTER, MAIN	1	
4\$	50638300	AIR FILTER, INNER	1	
410	SU-00077353	RUBBER UNION, 3.5" X 3"	1	
420	806854G	ADAPTER FOR FILTER 3" X 3.5"	1	
430	521639	ELBOW, RUBBER	1	
440	804495	CLAMP	3	
450	493108	CLAMP	1	
460	492595	WASHER, FLAT 1/4"	4	
470	EM963007	CAP SCREW	2	
480	492581	NUT, 1/4"-20 NYLON LOCKNUT	2	

Go to Discount-Equipment.com to order your parts

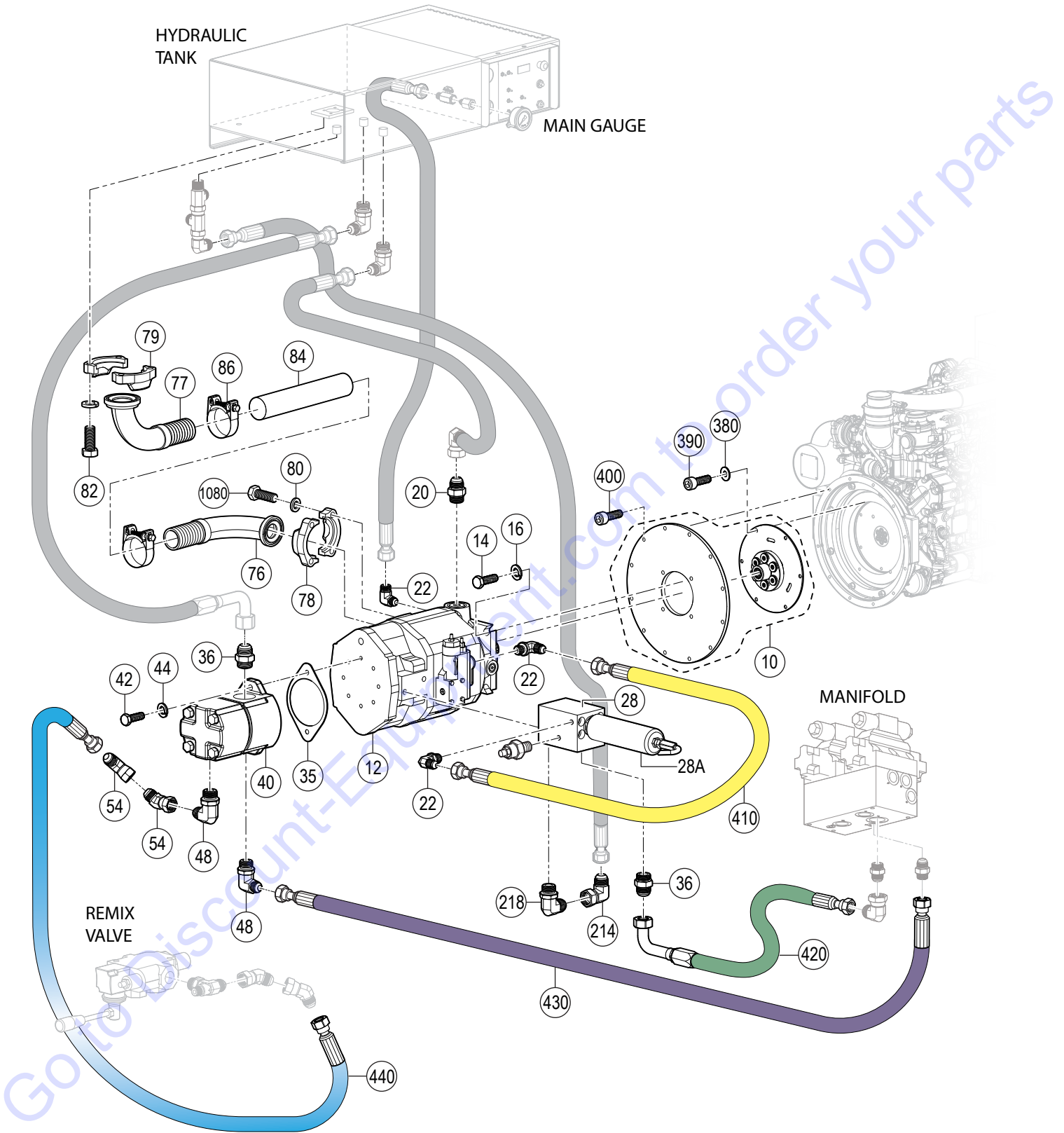
FUEL FILTER-WATER SEPARATOR ASSY.



FUEL FILTER-WATER SEPARATOR ASSY.

<u>NO.</u>	<u>PART NO.</u>	<u>PART NAME</u>	<u>QTY.</u>	<u>REMARKS</u>
136	807311	90°ADAPTER, NYLON 5/16"ID X 1/4 NPT	2	
170	806989	FILTER-PUMP SUPPORT	1	
172	3019092	WASHER, FLAT 3/8"	4	
174	EM963610	BOLT, 3/8"	2	
176	EM969013	NUT, NYLOC 3/8" NC	2	
178	EM923023	WASHER, FLAT 5/16"	2	
180	EM963610	BOLT 3/8"	2	
182	EM969013	NUT, NYLOC 3/8" NC	2	
216	802513	IN-LINE FUEL FILTER	1	
218	50640800	FUEL PUMP, ELECTRIC +12 VDC	1	
220	50638000	FUEL/WATER PRE-FILTER	1	
520	515802	CLAMP	2	
570	37822	CLAMP, 5/16"	8	
580	802575	CLAMP, HOSE	4	
590	801130	CLAMP, HOSE	1	
600	DULT100531	WASHER, FLAT M6	2	
610	2101402	WASHER, LOCK 1/4" DIA.	1	
620	492357	BOLT, 1/4" X 1" G5	1	
630	492581	NUT, 1/4"-20 NYLON LOCKNUT	1	
640	42459	HOSE, RUBBER, 0.3 IN. (7.62MM)	AR	1 PC. = 1 FT.
650	42459	HOSE, RUBBER, 0.28 IN. (7.112MM)	AR	1 PC. = 1 FT.
660	42459	HOSE, RUBBER, 0.38 IN. (9.652MM)	AR	1 PC. = 1 FT.
670	42459	HOSE, RUBBER, 0.315 IN. (8.001MM)	AR	1 PC. = 1 FT.
680	42459	HOSE, RUBBER, 0.33 IN. (8.382MM)	AR	1 PC. = 1 FT.
690	42459	HOSE, RUBBER, 1.22 IN. (30.988MM)	AR	1 PC. = 1 FT.

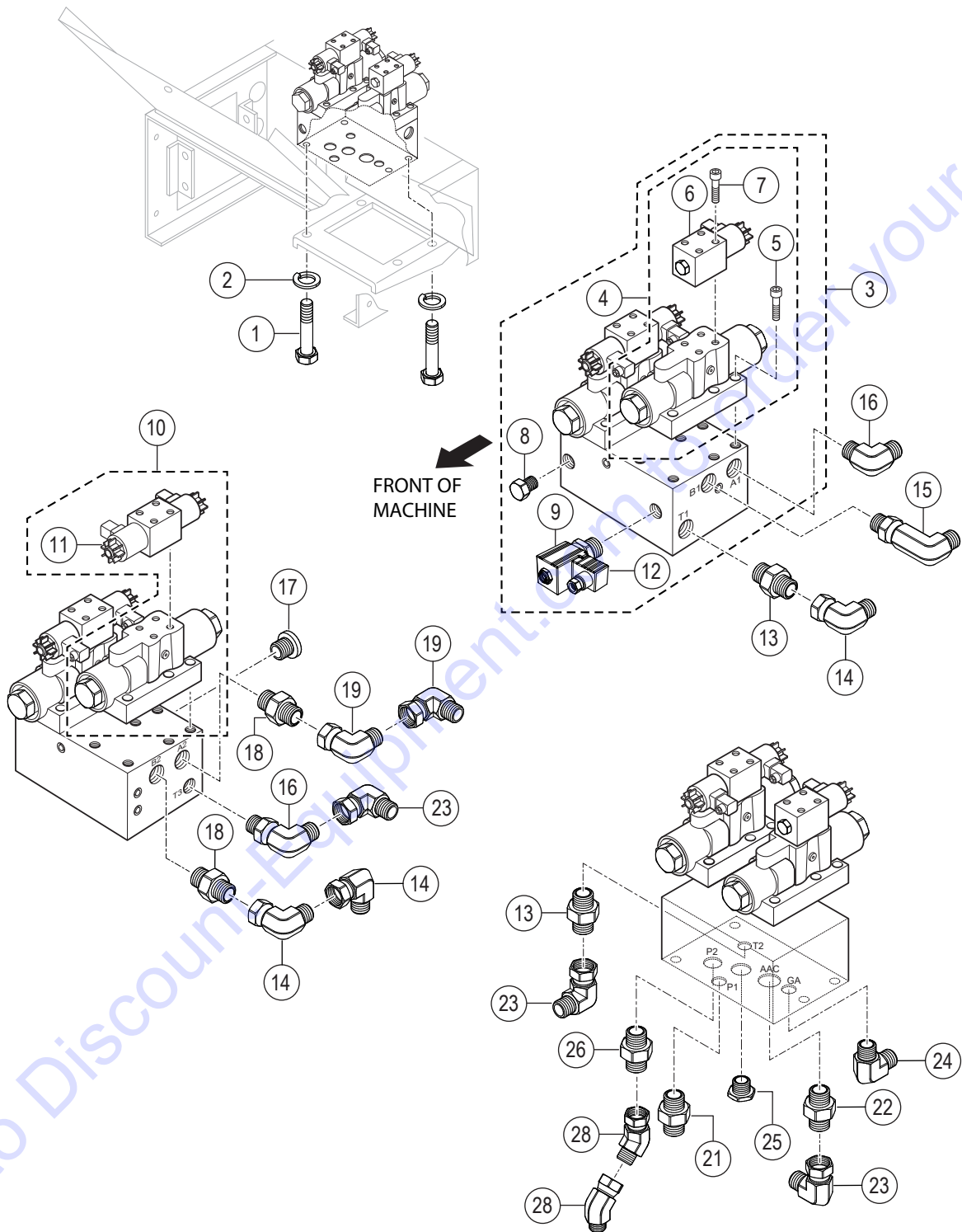
HYDRAULIC PUMP ASSY.



HYDRAULIC PUMP ASSY.

<u>NO.</u>	<u>PART NO.</u>	<u>PART NAME</u>	<u>QTY.</u>	<u>REMARKS</u>
10	806665	DRIVE COUPLER ASSY.	1	
12	EM98256	PUMP, PISTON	1	
14	EM510902	SCREW, 1/2"NC X 1-1/2" GRD. 8	4	
16	6109180	WASHER, LOCK 1/2"	4	
20	EM491372	FITTING, STRAIGHT	1	
22	EM25429	ELBOW 90°	3	
28	EM517649	MANIFOLD W/MOTORIZED FLOW CTRL.	1	
28A	EM98273	MOTORIZED FLOW CTRL. CARTRIDGE	1	
35	EM16190	GASKET, PUMP	1	
36	25498	FITTING, STRAIGHT	2	
40	EM98107	PUMP, SECONDARY	1	
42	EM963610	HEX HD. CAP SCREW	2	
44	0166 A	WASHER, LOCK 3/8"	2	
48	EM16524	FITTING 90°	2	
54	506200	FITTING 45°	2	
76	EM514627	ADAPTER, SUCTION PIPE	1	
77	EM514718	ADAPTER, SUCTION PIPE	1	
78	EM514628	FLANGE, SUCTION PUMP	1	
79	EM514719	FLANGE, SUCTION PUMP	1	
80	6109180	WASHER, LOCK 1/2" DIA.	4	
82	492444	CAP SCREW 1/2"NF X 1-1/4" G5	4	
84	EM514623	HOSE, SUCTION 2"	1	
86	EM515207	CLAMP, SUCTION HOSE	2	
214	EM509353	ELBOW 90°	2	
218	EM25459	FITTING, 90° 12 C50X-S	1	
380	506622	WASHER, M10	6	
390	54812	ALLEN HEAD SCREW M10 X 25 MM	6	
400	EM269	ALLEN HEAD SCREW M10 X 30 MM	12	
410	516875	HOSE, HYDRAULIC	1	
420	517038	HOSE, HYDRAULIC	1	
430	514608	HOSE, HYDRAULIC	1	
440	514601	HOSE, HYDRAULIC	1	
1080	EM510902	SCREW 1/2" X 1-1/2" NC GRD. 8	4	

MANIFOLD ASSY.



MANIFOLD ASSY.

<u>NO.</u>	<u>PART NO.</u>	<u>PART NAME</u>	<u>QTY.</u>	<u>REMARKS</u>
1	EM963102	BOLT, 1/2" X 1-1/4"	4	
2	6109180	WASHER, LOCK 1/2"	4	
3	EM98261	MANIFOLD ASSY.	1	INCLUDES ITEMS W/%
4%	EM98220	CYCLING VALVE, SWING W/PILOTS	1	INCLUDES ITEMS W/#
5%#	EMBK227	BOLT, SHCS 1/2" X 2-1/4"	12	
6%#	EM98223	PILOT VALVE, SHUTTLE	1	
7%#	EMBK2097	BOLT, SHCS 1/2" X 1-1/4"	8	
8%	EM98227	CHECK VALVE	1	
9%	EM98228	COIL, 12 VDC ACCUMULATOR	1	
10	EM98221	CYCLING VALVE, MAIN	1	INCLUDES ITEM W/\$
11\$	EM98222	PILOT VALVE, MAIN CYL.	1	
12%	EM98229	CARTRIDGE ASSY., ACCUM. UNLOADER	1	
13	EM25498	FITTING, STRAIGHT	3	
14	EM509401	FITTING, 90°	3	
15	EM514488	FITTING, 90°	1	
16	EM25459	FITTING, 90° 3/4"	2	
17	519663	ADAPTER, PLUG	1	
18	EM514231	FITTING, STRAIGHT	2	
19	EM514489	FITTING 90°	2	
21	EM506193	FITTING, STRAIGHT	1	
22	EM25462	FITTING, STRAIGHT	1	
23	EM509353	FITTING, 90°	3	
24	EM25497	FITTING, 90°	1	
25	EM98230	LOGIC VALVE	1	
26	EM509796	FITTING, STRAIGHT	1	
28	518198	ADAPTER, ELBOW 45°	2	

CONTROL BOX ASSY.



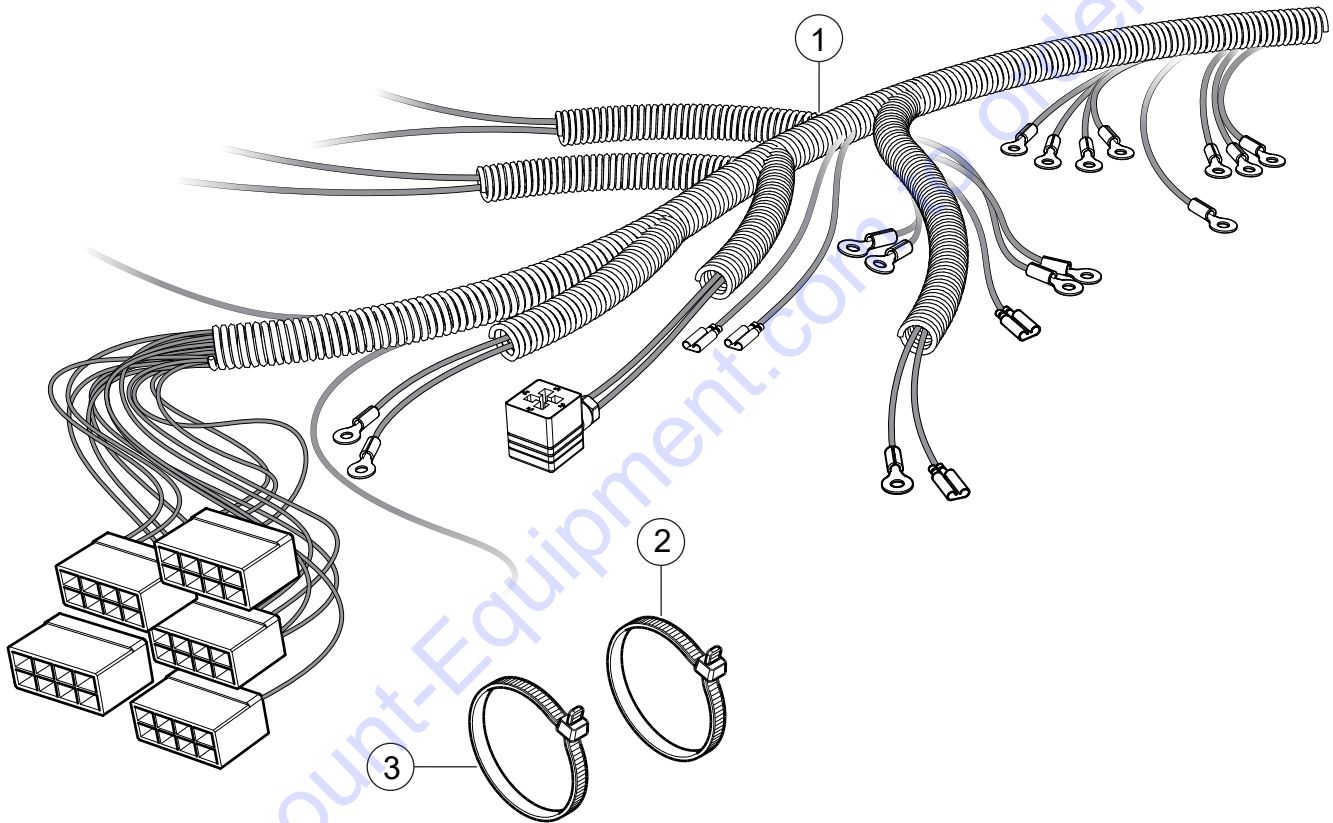
NOTE:

△ PART OF FRONT PANEL.

CONTROL BOX ASSY.

<u>NO.</u>	<u>PART NO.</u>	<u>PART NAME</u>	<u>QTY.</u>	<u>REMARKS</u>
1	Z300262	SWITCH, SCROLLING, JOG, VOL. RESET	1	
2	EM517648B	PANEL, CONTROL DIGITAL LS PUMPS	1	
3	EM515177	SWITCH ASSEMBLY	1	INCLUDES ITEMS W/#
4#	EM517186	CONTACT BLOCK	1	
5	0202	SCREW HHC 5/16" X 18 X 1	4	
6	EM923023	WASHER, FLAT 5/16"	4	
7	EM923343	WASHER, LOCK 5/16"	4	
8	2105164	NUT, NYLON 5/16-18	4	
9	EM98206	SWITCH, IGNITION.....	1	INCLUDES ITEMS W/\$
10\$	EM98206K	KEY, IGNITION SWITCH	1	
11	EM97068	RECEPTACLE, REMOTE	1	
12	Z300261	SWITCH, AUTO AND JOG	1	
13	Z300261	SWITCH, FLOW DIRECTION	1	
14	Z300262	SWITCH, VOLUME	1	
15	Z300262	SWITCH, RESET	1	
16	Z300260	SWITCH, MAIN CONTROL	1	
17	Z300262	SWITCH, JOG A AND B	1	

CONTROL BOX HARNESS ASSY.

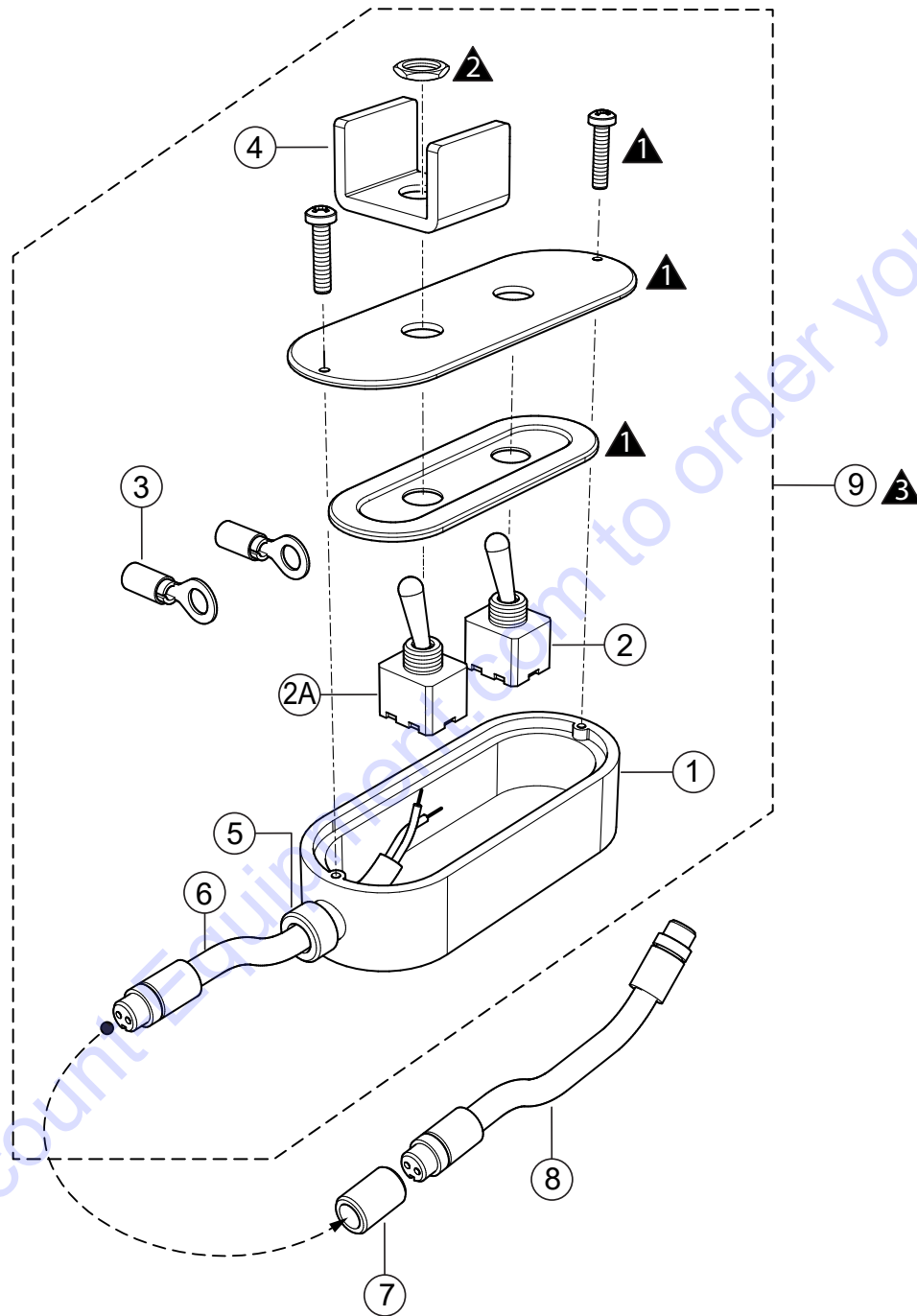


CONTROL BOX HARNESS ASSY.

<u>NO.</u>	<u>PART NO.</u>	<u>PART NAME</u>	<u>QTY.</u>	<u>REMARKS</u>
1	807047	WIRE HARNESS, MAIN	1	
2	491028	WRAP, TIE 2.5 X 142MM	5	
3	EM504505	WRAP, TIE 4.6 X 360MM	2	

Go to Discount-Equipment.com to order your parts

REMOTE CONTROL CABLE ASSY.



NOTES

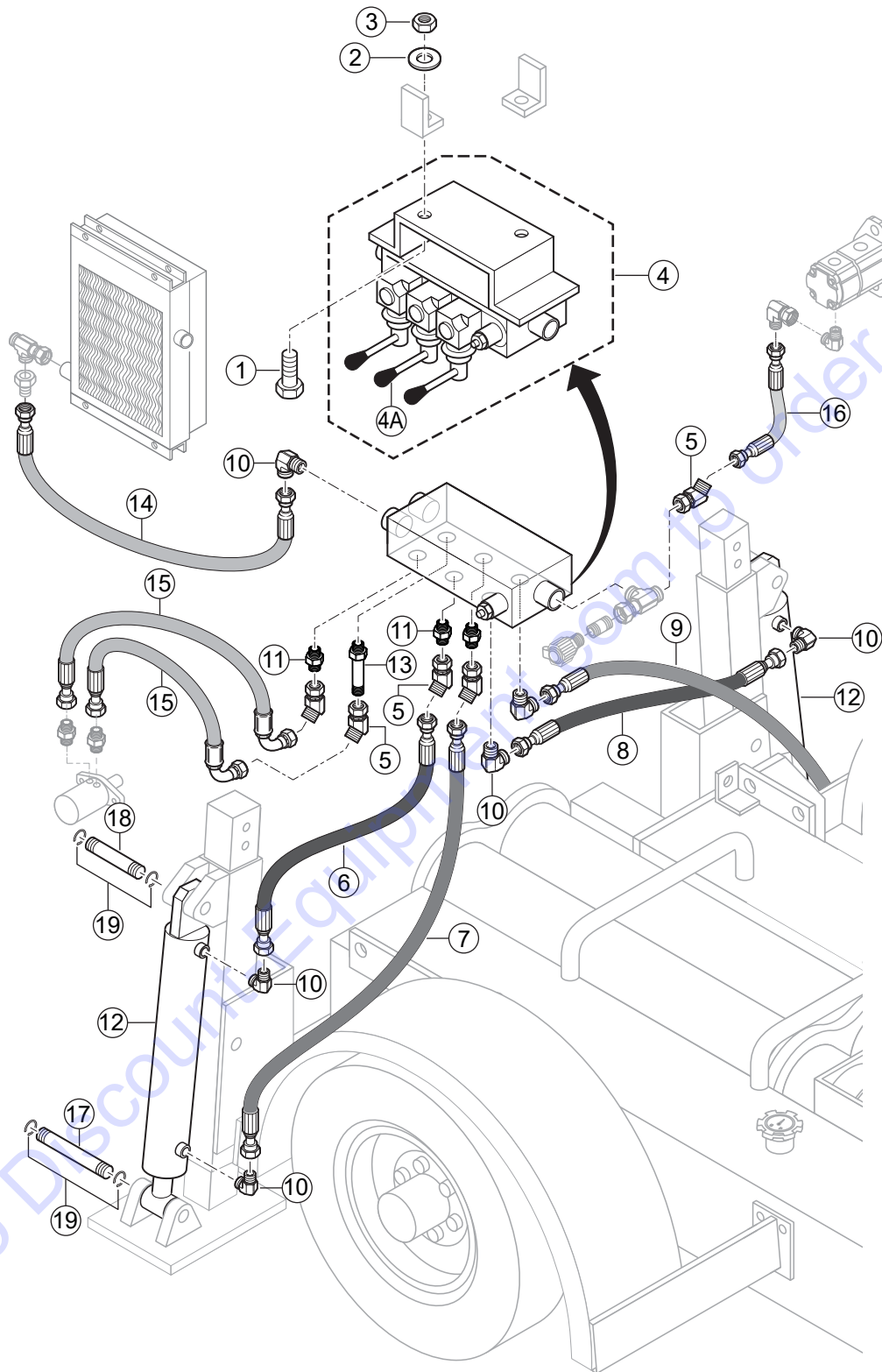
- ▲ 1 INCLUDED WITH ITEM 1.
- ▲ 2 INCLUDED WITH ITEMS 2 AND 2A.
- ▲ 3 COMPLETE CORD ASSY. INCLUDES ITEMS WITHIN DASHED LINES.

REMOTE CONTROL CABLE ASSY.

<u>NO.</u>	<u>PART NO.</u>	<u>PART NAME</u>	<u>QTY.</u>	<u>REMARKS</u>
1\$	EM16753	JUNCTION BOX	1	
2\$	EM16754	SWITCH	1	
2A\$	EM97075	SWITCH	1	
3\$	EM491897	CONNECTOR, RING 3/16"	4	
4\$	EM16756	GUARD SWITCH, ALUMINUM	2	
5\$	EM26791	SEAL, GRIP CORD	1	
6\$	EM26790	CORD, MX P/E 25'	1	
7	EM26793	ADAPTER, CORD GRIP 1/2"	1	
8	EM97065	CORD, 100', REMOTE CONTROL	1.....	OPTION
9	EM97099	CABLE REMOTE CONTROL ASSY., 25'	1.....	INCLUDES ITEMS W/\$

Go to Discount-Equipment.com to order your parts

HYDRAULIC STABILIZER ASSY. (OPTIONAL)

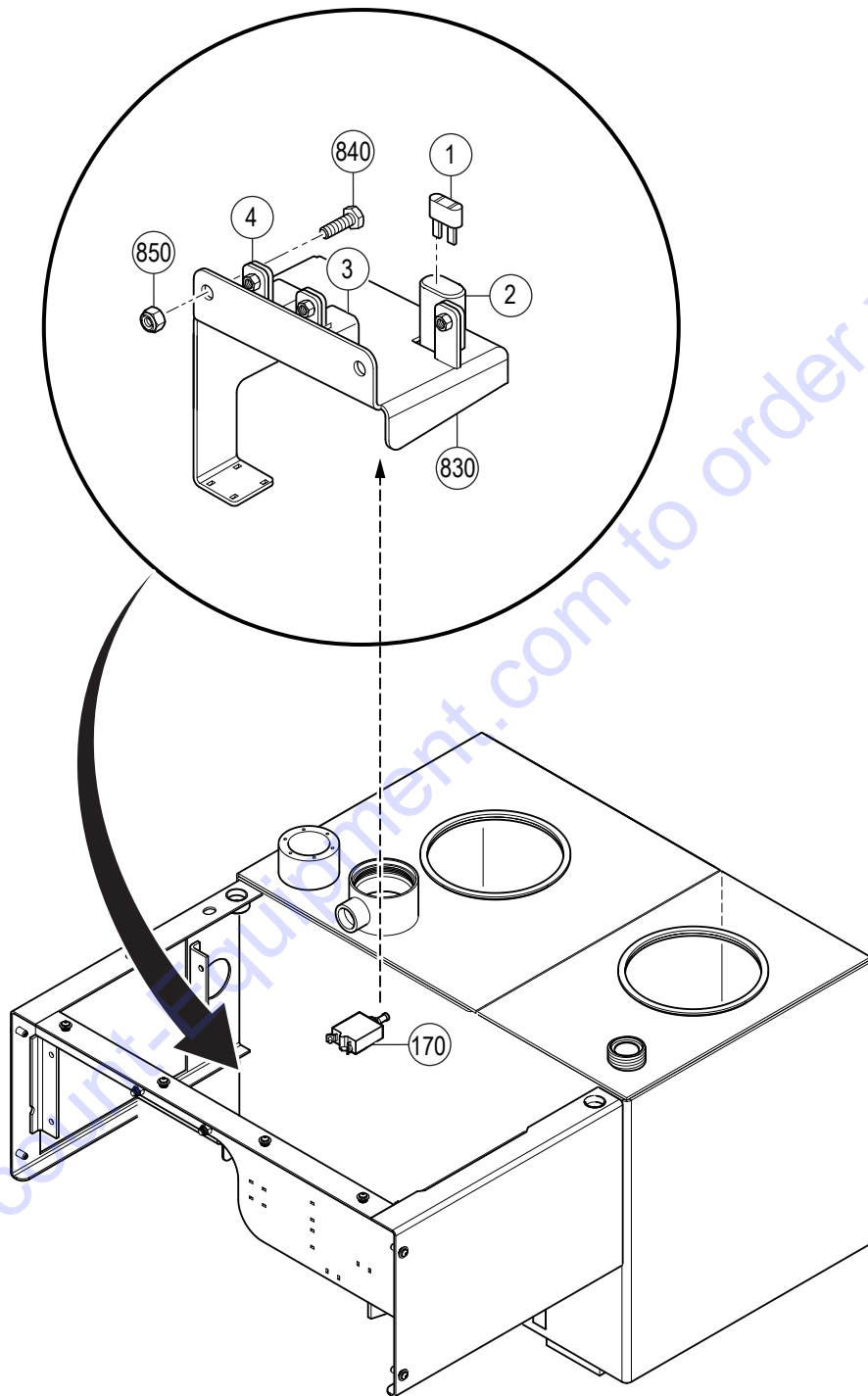


HYDRAULIC STABILIZER ASSY. (OPTIONAL)

<u>NO.</u>	<u>PART NO.</u>	<u>PART NAME</u>	<u>QTY.</u>	<u>REMARKS</u>
1		BOLT	2.....	OBTAIN LOCALLY
2		WASHER	2.....	OBTAIN LOCALLY
3		NUT.....	2.....	OBTAIN LOCALLY
4	EM98046	VALVE REMIXER W/3 LEVERS	1.....	INCLUDES ITEMS W/\$
4A\$	EM98047	HANDLE, DIRECTIONAL VALVE	3	
5	503200	FITTING, 45°	5	
6	517101	HOSE	1	
7	517102	HOSE	1	
8	517103	HOSE	1	
9	517104	HOSE	1	
10	EM512655	ADAPTER, 90°	7	
11	EM25509	FITTING, STRAIGHT	3	
12	EM516382	HYDRAULIC CYLINDER	2	
13	EM517107	FITTING, STRAIGHT	1	
14	517105	HOSE	1	
15	517100	HOSE	1	
16	517106	HOSE	1	
17	517153	PIPE	2	
18	517154	PIPE	2	
19	JISB2804C25	RING, RETAINING M25	8	

Go to Discount-Equipment.com to order your parts

FUSES AND RELAYS ASSY.



FUSES AND RELAYS ASSY.

<u>NO.</u>	<u>PART NO.</u>	<u>PART NAME</u>	<u>QTY.</u>	<u>REMARKS</u>
1	23284-300	FUSE, 30 AMP ATC/ATO	1	
2	EM98066	FUSE HOLDER, 30 AMP MAIN	1	
3	EM802378	RELAY, 40 AMP, FAN-SLAVE	1	
4	EM802515	RELAY, 80 AMP, HEAT EXCHANGER	1	
170	804996	CIRCUIT BREAKER, 40 AMP	1	
830	801797	BRACKET SUPPORT, FUSES	1	
840	492311	BOLT, 3/8" X 1" NC GRD. 2	2	
850	492583	NUT, 3/8" NYLON NC GRD. 8	2	

Go to Discount-Equipment.com to order your parts

PARTS FINDER

**Search Website
by Part Number**



**Search Manual
Library For Parts
Manual & Lookup Part
Numbers – Purchase
or Request Quote**

Search Manuals

Enter your information to help us find the right parts manual for your machine.

* Brand:

* Model:

* Serial:

* Part Number:

SEARCH

**Can't Find Part or
Manual? Request Help
by Manufacturer,
Model & Description**

Parts Order Form

Please fill in the following information to help us find the right part for your machine.

Manufacturer:	<input type="text"/>
Model:	<input type="text"/>
Description:	<input type="text"/>
Part Number:	<input type="text"/>
Quantity:	<input type="text"/>
Notes:	<input type="text"/>

Discount-Equipment.com is your online resource for quality parts & equipment.

Florida: **561-964-4949** Outside Florida TOLL FREE: **877-690-3101**

Need parts?

Click on this link: <http://www.discount-equipment.com/category/5443-parts/> and choose one of the options to help get the right parts and equipment you are looking for. Please have the machine model and serial number available in order to help us get you the correct parts. If you don't find the part on the website or on one of the online manuals, please fill out the request form and one of our experienced staff members will get back to you with a quote for the right part that your machine needs.

We sell worldwide for the brands: Genie, Terex, JLG, MultiQuip, Mikasa, Essick, Whiteman, Mayco, Toro Stone, Diamond Products, Generac Magnum, Airman, Haulotte, Barreto, Power Blanket, Nifty Lift, Atlas Copco, Chicago Pneumatic, Allmand, Miller Curber, Skyjack, Lull, Skytrak, Tsurumi, Husquvarna Target, Stow, Wacker, Sakai, Mi-T-M, Sullair, Basic, Dynapac, MBW, Weber, Bartell, Bennar Newman, Haulotte, Ditch Runner, Menegotti, Morrison, Contec, Buddy, Crown, Edco, Wyco, Bomag, Laymor, EZ Trench, Bil-Jax, F.S. Curtis, Gehl Pavers, Heli, Honda, ICS/PowerGrit, IHI, Partner, Imer, Clipper, MMD, Koshin, Rice, CH&E, General Equipment, Amida, Coleman, NAC, Gradall, Square Shooter, Kent, Stanley, Tamco, Toku, Hatz, Kohler, Robin, Wisconsin, Northrock, Oztec, Toker TK, Rol-Air, APT, Wylie, Ingersoll Rand / Doosan, Innovatech, Con X, Ammann, Mecalac, Makinex, Smith Surface Prep, Small Line, Wanco, Yanmar