

PARTS MANUAL



Mikasa SERIES
MODEL MTR40HF
TAMPING RAMMER
(HONDA GX100RTKRB6 GASOLINE ENGINE)

Revision #3 (04/26/21)



THIS MANUAL MUST ACCOMPANY THE EQUIPMENT AT ALL TIMES.

PARTS FINDER

**Search Website
by Part Number**



**Search Manual
Library For Parts
Manual & Lookup Part
Numbers – Purchase
or Request Quote**

Search Manuals

Enter your information to help us find the right parts manual for your machine.

* Brand:

* Model:

* Serial:

* Part Number:

SEARCH

**Can't Find Part or
Manual? Request Help
by Manufacturer,
Model & Description**

Parts Order Form

Please fill in the following information to help us find the right part for your machine.

| | |
|---------------|----------------------|
| Manufacturer: | <input type="text"/> |
| Model: | <input type="text"/> |
| Description: | <input type="text"/> |
| Part Number: | <input type="text"/> |
| Quantity: | <input type="text"/> |
| Notes: | <input type="text"/> |

Submit

Discount-Equipment.com is your online resource for quality parts & equipment.

Florida: **561-964-4949** Outside Florida TOLL FREE: **877-690-3101**

Need parts?

Click on this link: <http://www.discount-equipment.com/category/5443-parts/> and choose one of the options to help get the right parts and equipment you are looking for. Please have the machine model and serial number available in order to help us get you the correct parts. If you don't find the part on the website or on one of the online manuals, please fill out the request form and one of our experienced staff members will get back to you with a quote for the right part that your machine needs.

We sell worldwide for the brands: Genie, Terex, JLG, MultiQuip, Mikasa, Essick, Whiteman, Mayco, Toro Stone, Diamond Products, Generac Magnum, Airman, Haulotte, Barreto, Power Blanket, Nifty Lift, Atlas Copco, Chicago Pneumatic, Allmand, Miller Curber, Skyjack, Lull, Skytrak, Tsurumi, Husquvarna Target, Stow, Wacker, Sakai, Mi-T-M, Sullair, Basic, Dynapac, MBW, Weber, Bartell, Bennar Newman, Haulotte, Ditch Runner, Menegotti, Morrison, Contec, Buddy, Crown, Edco, Wyco, Bomag, Laymor, EZ Trench, Bil-Jax, F.S. Curtis, Gehl Pavers, Heli, Honda, ICS/PowerGrit, IHI, Partner, Imer, Clipper, MMD, Koshin, Rice, CH&E, General Equipment, Amida, Coleman, NAC, Gradall, Square Shooter, Kent, Stanley, Tamco, Toku, Hatz, Kohler, Robin, Wisconsin, Northrock, Oztec, Toker TK, Rol-Air, APT, Wylie, Ingersoll Rand / Doosan, Innovatech, Con X, Ammann, Mecalac, Makinex, Smith Surface Prep, Small Line, Wanco, Yanmar

TABLE OF CONTENTS

MTR40HF Rammer

| | |
|--|---|
| Explanation Of Code In Remarks Column..... | 4 |
| Suggested Spare Parts | 5 |

Rammer Component Drawings

| | |
|--|-------|
| Nameplates And Decals Assembly | 6-7 |
| Crankcase And Engine Assembly | 8-11 |
| Fuel Tank And Handle Assembly..... | 12-13 |
| Spring And Guide Cylinder Assembly | 14-15 |
| Foot Assembly | 16-17 |
| Foot (Option) Assembly | 18-19 |

Honda GX100RTKRB6 Gasoline Engine

| | |
|---------------------------------------|-------|
| Cylinder Barrel Assembly | 20-21 |
| Crankcase Cover Assembly | 22-23 |
| Crankshaft Assembly..... | 24-25 |
| Piston/Connecting Rod Assembly | 26-27 |
| Camshaft Pulley Assembly | 28-29 |
| Recoil Starter Assembly | 30-31 |
| Fan Cover Assembly..... | 32-33 |
| Carburetor Assembly | 34-35 |
| Air Cleaner Assembly | 36-37 |
| Muffler Assembly | 38-39 |
| Flywheel/Ignition Coil Assembly | 40-41 |
| Control Assembly | 42-43 |
| Label Assembly | 44-45 |

NOTICE

Specifications and part numbers are subject to change without notice.

EXPLANATION OF CODE IN REMARKS COLUMN

The following section explains the different symbols and remarks used in the Parts section of this manual. Use the help numbers found on the back page of the manual if there are any questions.

NOTICE

The contents and part numbers listed in the parts section are subject to change **without notice**. Multiquip does not guarantee the availability of the parts listed.

SAMPLE PARTS LIST

| NO. | PART NO. | PART NAME | QTY. | REMARKS |
|-----|----------|----------------------|------|---------------------|
| 1 | 12345 | BOLT | 1 | INCLUDES ITEMS W/% |
| 2% | | WASHER, 1/4 IN. | | NOT SOLD SEPARATELY |
| 2% | 12347 | WASHER, 3/8 IN. ... | 1 | MQ-45T ONLY |
| 3 | 12348 | HOSE | A/R | MAKE LOCALLY |
| 4 | 12349 | BEARING | 1 | S/N 2345B AND ABOVE |

NO. Column

Unique Symbols — All items with same unique symbol (@, #, +, %, or >) in the number column belong to the same assembly or kit, which is indicated by a note in the “Remarks” column.

Duplicate Item Numbers — Duplicate numbers indicate multiple part numbers, which are in effect for the same general item, such as different size saw blade guards in use or a part that has been updated on newer versions of the same machine.

NOTICE

When ordering a part that has more than one item number listed, check the remarks column for help in determining the proper part to order.

PART NO. Column

Numbers Used — Part numbers can be indicated by a number, a blank entry, or TBD.

TBD (To Be Determined) is generally used to show a part that has not been assigned a formal part number at the time of publication.

A blank entry generally indicates that the item is not sold separately or is not sold by Multiquip. Other entries will be clarified in the “Remarks” Column.

QTY. Column

Numbers Used — Item quantity can be indicated by a number, a blank entry, or A/R.

A/R (As Required) is generally used for hoses or other parts that are sold in bulk and cut to length.

A blank entry generally indicates that the item is not sold separately. Other entries will be clarified in the “Remarks” Column.

REMARKS Column

Some of the most common notes found in the “Remarks” Column are listed below. Other additional notes needed to describe the item can also be shown.

Assembly/Kit — All items on the parts list with the same unique symbol will be included when this item is purchased.

Indicated by:

“INCLUDES ITEMS W/(unique symbol)”

Serial Number Break — Used to list an effective serial number range where a particular part is used.

Indicated by:

“S/N XXXXX AND BELOW”

“S/N XXXX AND ABOVE”

“S/N XXXX TO S/N XXX”

Specific Model Number Use — Indicates that the part is used only with the specific model number or model number variant listed. It can also be used to show a part is NOT used on a specific model or model number variant.

Indicated by:

“XXXXX ONLY”

“NOT USED ON XXXX”

“Make/Obtain Locally” — Indicates that the part can be purchased at any hardware shop or made out of available items. Examples include battery cables, shims, and certain washers and nuts.

“Not Sold Separately” — Indicates that an item cannot be purchased as a separate item and is either part of an assembly/kit that can be purchased, or is not available for sale through Multiquip.

SUGGESTED SPARE PARTS

MTR40HF TAMPING RAMMER WITH HONDA GX100RTKRB6 GASOLINE ENGINE

1 to 3 units

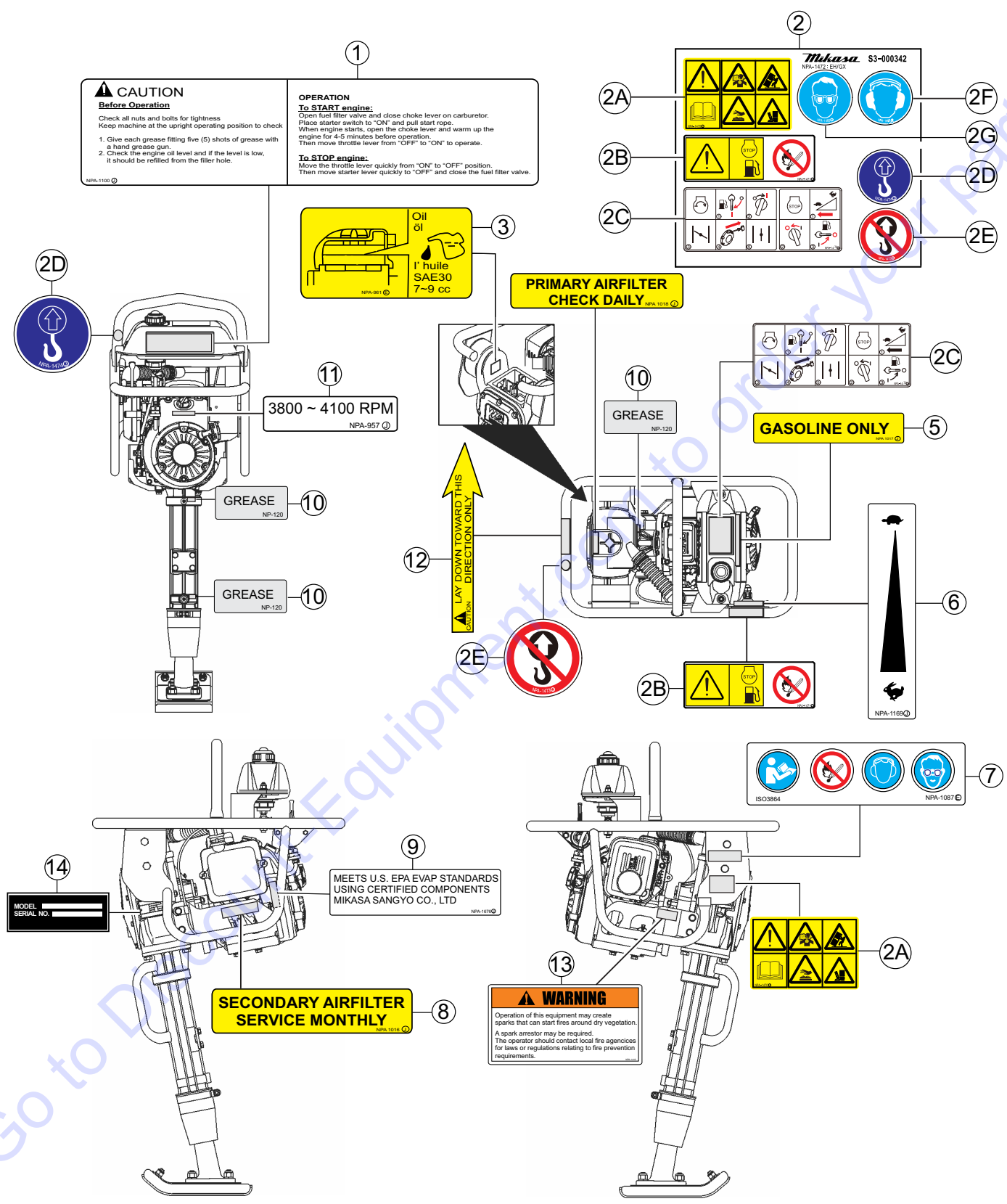
| Qty. | P/N | Description |
|--------|-------------------|---------------------------|
| 1..... | 956100077..... | THROTTLE WIRE |
| 3..... | 362030030..... | ELEMENT, AIR CLEANER |
| 1..... | 361910070..... | CAP, FUEL TANK COMP. |
| 3..... | 16910GB2005 | FILTER, IN-LINE FUEL |
| 3..... | 9805655777..... | SPARK PLUG |
| 1..... | 28462Z0DV03..... | ROPE, RECOIL STARTER |
| 3..... | 17211ZL8023 | CLEANER, ELEMENT (ENGINE) |

NOTICE

Part numbers on this Suggested Spare Parts list may supersede/replace the part numbers shown in the following parts lists.

Go to Discount-Equipment.com to order your parts

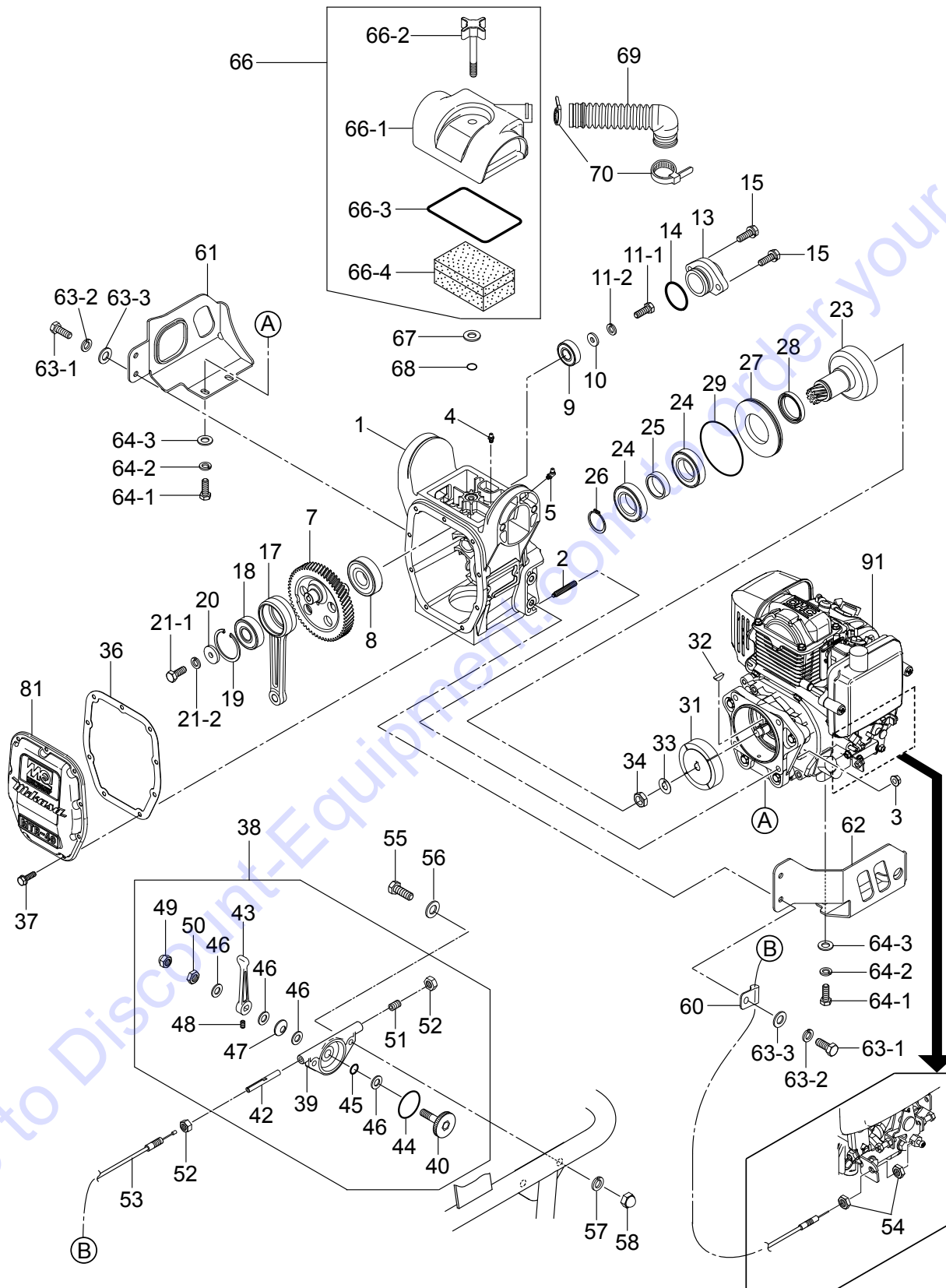
NAMEPLATES AND DECALS ASSY.



NAMEPLATES AND DECALS ASSY.

| <u>NO.</u> | <u>PART NO.</u> | <u>PART NAME</u> | <u>QTY.</u> | <u>REMARKS</u> |
|------------|-----------------|--|-------------|-----------------------------|
| 1 | 920211000 | DECAL, CAUTION 4 CYCLE AND GREASE | 1 | |
| 2 | 920900100 | DECAL, SET, (NPA-1472) | 1 | INCLUDES ITEMS W/# |
| 2A# | | DECAL, | 1 | NOT SOLD SEPARATELY |
| 2B# | | DECAL, CAUTION | 1 | NOT SOLD SEPARATELY |
| 2C# | | DECAL, OPERATION | 1 | NOT SOLD SEPARATELY |
| 2D# | | DECAL, LIFTING POSITION | 1 | NOT SOLD SEPARATELY |
| 2E# | | DECAL, DO NOT LIFT | 1 | NOT SOLD SEPARATELY |
| 2F# | | DECAL, DANGER HEARING PROTECTION | 1 | NOT USED |
| 2G# | | DECAL, DANGER EYE PROTECTION | 1 | NOT USED |
| 3 | 920209610 | DECAL, CLEANING ELEMENT | 1 | NPA-961 |
| 4 | 920210180 | DECAL, CHECK DAILY, PRIMARY AIR FILTER | 1 | NPA-1018 |
| 5 | 920210170 | DECAL, GASOLINE ONLY | 1 | NPA-1017 |
| 6 | 920211690 | DECAL, LEVER OPERATION | 1 | NPA-1169 |
| 7 | 920210870 | DECAL, CAUTION | 1 | NPA-1087 |
| 8 | 920210160 | DECAL, SERVICE MONTHLY | 1 | NPA-1016 |
| 9 | 920216780 | DECAL, EPA/EVAP COMPLIANT | 1 | NPA-1676 |
| 10 | 920101200 | DECAL, GREASE | 3 | NP-120 |
| 11 | 920209570 | DECAL, R.P.M.,3800-4100 | 1 | NPA-957 |
| 12 | 920206910 | DECAL, LAY DOWN TOWARD DIRECTION | 1 | |
| 13 | 920214100 | DECAL, FIRE WARNING | 1 | NPA-1410 |
| 14 | | PLATE, SERIAL NO. | 1 | CONTACT DISCOUNT-EQUIPMENT. |

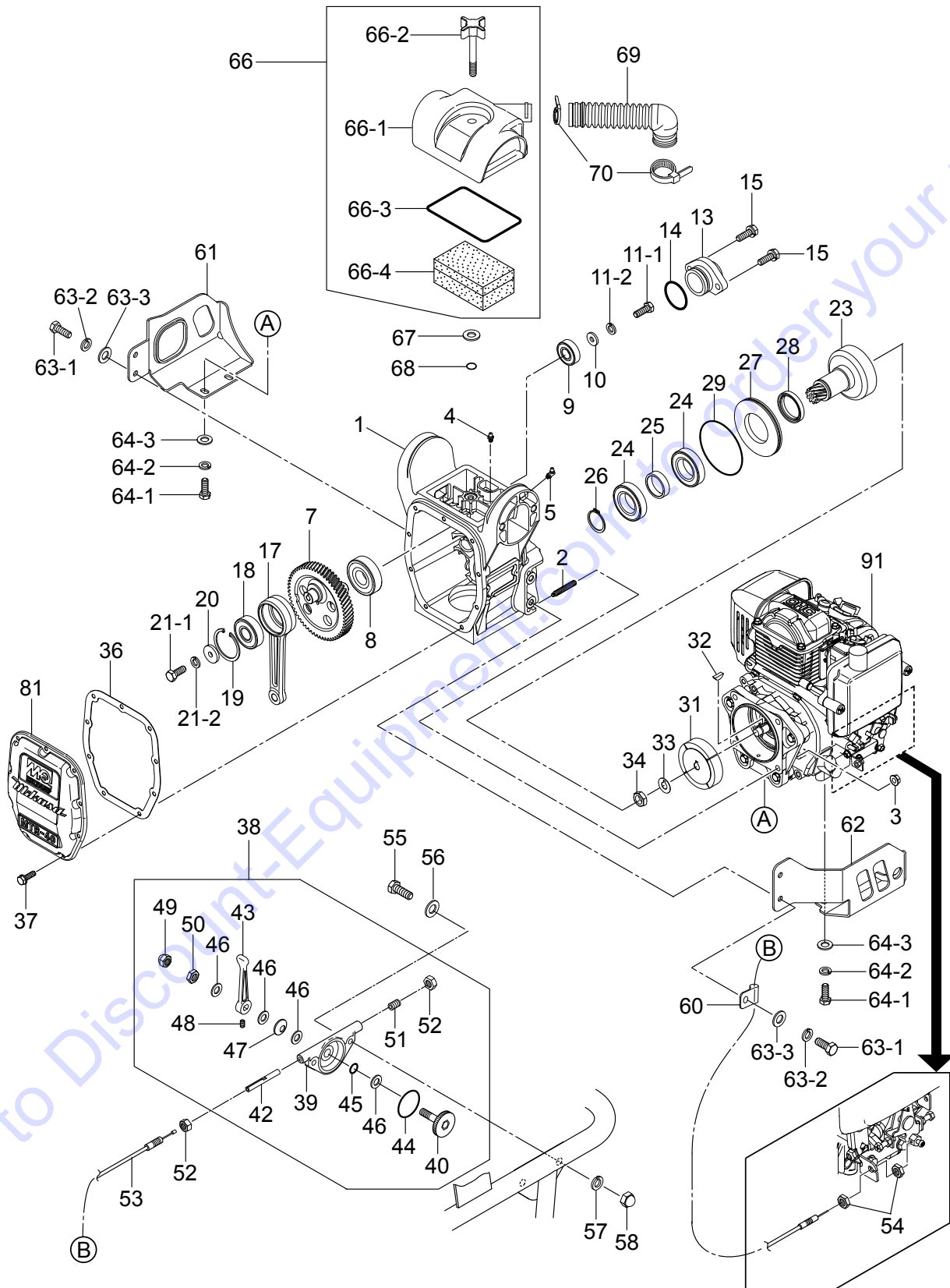
CRANKCASE AND ENGINE ASSY.



CRANKCASE AND ENGINE ASSY.

| <u>NO.</u> | <u>PART NO.</u> | <u>PART NAME</u> | <u>QTY.</u> | <u>REMARKS</u> |
|------------|-----------------|------------------------------|-------------|------------------------|
| 1 | 305117260 | CRANKCASE | 1 | |
| 2 | 959409790 | SOCKET HEAD SCREW 8X50 | 4 | |
| 3 | 022910300 | FLANGE NUT M8 | 4 | |
| 4 | 351010050 | GREASE FITTING | 1 | |
| 5 | 959010320 | GREASE FITTING | 1 | |
| 7 | 305343780 | CRANK GEAR | 1 | |
| 8 | 041006305 | BEARING, 6305Z | 1 | |
| 9 | 041006203 | BEARING, 6203Z | 1 | |
| 10 | 952401450 | WASHER, 8.5X22X3 | 1 | |
| 11-1 | 011208025 | BOLT 8X25..... | 1 | REPLACES P/N 001220825 |
| 11-2 | 030208200 | WASHER, LOCK M8 | 1 | |
| 13 | 362455660 | BEARING COVER | 1 | |
| 14 | 050100350 | O-RING | 1 | |
| 15 | 002200620 | BOLT, 6X20 MM, SOC. HD | 2 | |
| 17 | 305333090 | CONNECTING ROD | 1 | |
| 18 | 042006304 | BEARING 6304ZZ | 1 | |
| 19 | 080100520 | STOP RING | 1 | |
| 20 | 952400130 | WASHER | 1 | |
| 21-1 | 011208025 | BOLT 8X25..... | 1 | REPLACES P/N 001220825 |
| 21-2 | 030208200 | WASHER, LOCK M8 | 1 | |
| 23 | 303010084 | PINION | 1 | |
| 24 | 042006007 | BEARING 6007ZZ | 2 | |
| 25 | 351437750 | SPACER | 1 | |
| 26 | 080200350 | STOP RING | 1 | |
| 27 | 351421900 | SPACER, CLUTCH DRUM | 1 | |
| 28 | 060504010 | OIL SEAL | 1 | |
| 29 | 050300900 | O-RING | 1 | |
| 31 | 361463840 | CLUTCH ASSY. | 1 | |
| 32 | 0053204201 | WOODRUFF KEY | 1 | |
| 33 | 301010210 | LOCK WASHER, CLUTCH | 1 | |
| 34 | 94002120000S | NUT M12 | 1 | |
| 36 | 362341610 | PACKING, FRONT COVER | 1 | |
| 37 | 002200620 | BOLT 6X20 MM, SOC. HD | 9 | |
| 38 | 362910060 | THROTTLE LEVER ASSY. | 1 | INCLUDES ITEMS W/\$ |
| 39\$ | 362341550 | THROTTLE BODY | 1 | |
| 40\$ | 362910090 | THROTTLE, GEAR COMP., W/BOLT | 1 | |
| 42\$ | 362455620 | SLIDER | 1 | |
| 43\$ | 362455630 | THROTTLE LEVER | 1 | |
| 44\$ | 050100450 | O-RING | 1 | |
| 45\$ | 050200100 | O-RING | 1 | |
| 46\$ | 031110160 | WASHER, FLAT M10 | 4 | |
| 47\$ | 032210220 | WASHER, CONICAL SPRING M10 | 1 | |
| 48\$ | 096206006 | SOCKET HEAD SCREW 6X6 | 1 | |
| 49\$ | 022131008 | CAP NUT M10 | 1 | |
| 50\$ | 020310080 | NUT M10 | 1 | REPLACES P/N 020410060 |

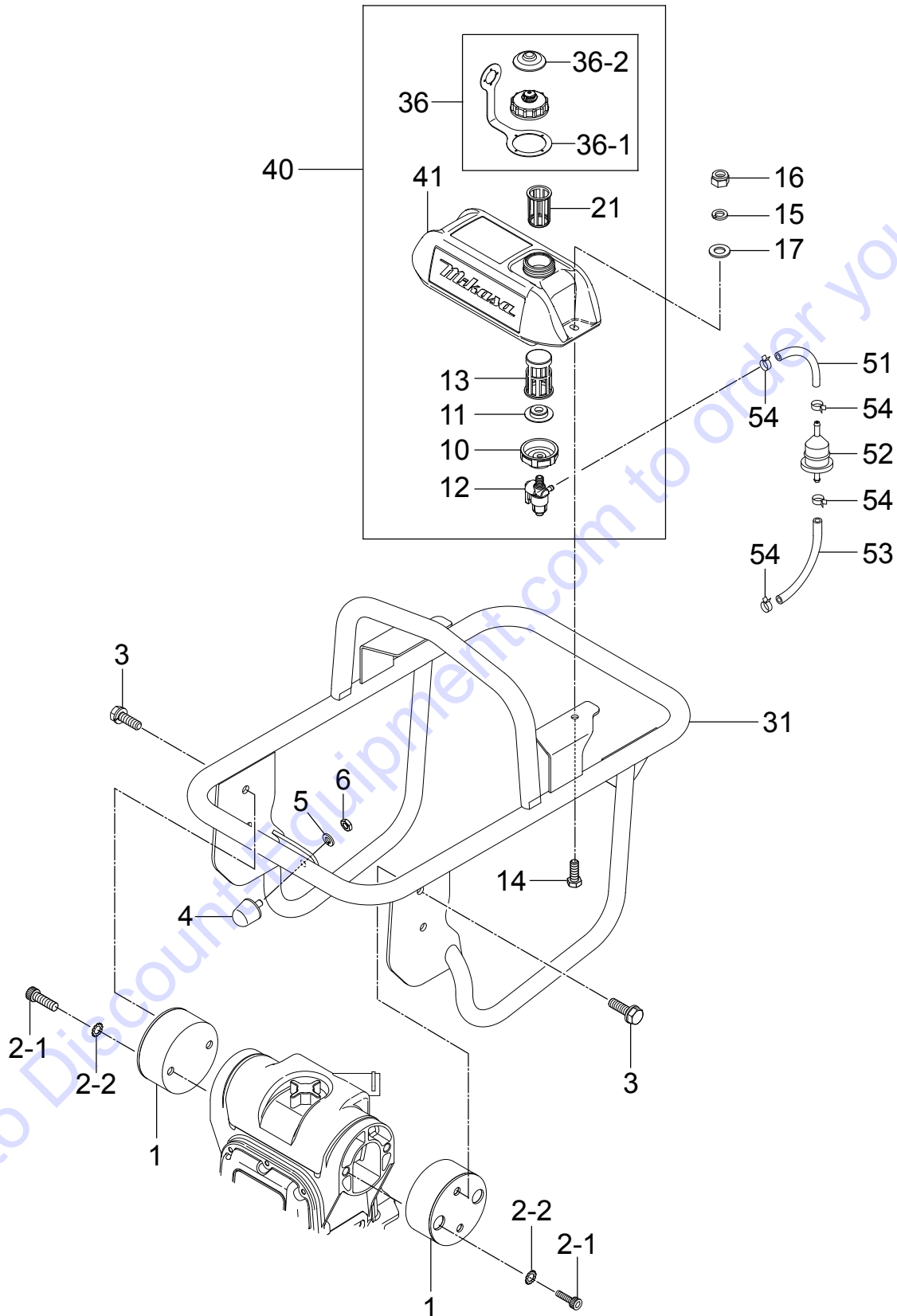
CRANKCASE AND ENGINE ASSY. CONT'D.



CRANKCASE AND ENGINE ASSY. CONT'D.

| <u>NO.</u> | <u>PART NO.</u> | <u>PART NAME</u> | <u>QTY.</u> | <u>REMARKS</u> |
|------------|-----------------|------------------------------|-------------|------------------------|
| 51\$ | 096208020 | SOCKET HEAD SCREW 8X20 | 1 | |
| 52\$ | 020408050 | NUT, SPECIAL 8 MM | 2 | |
| 53 | 956100077 | THROTTLE WIRE | 1 | |
| 54 | 020406040 | NUT M6 | 2 | |
| 55 | 011206020 | BOLT 6X20..... | 2 | REPLACES P/N 001220620 |
| 56 | 952404470 | WASHER, FLAT M6..... | 2 | REPLACES P/N 031106100 |
| 57 | 030206150 | WASHER, LOCK M6 | 2 | |
| 58 | 022130605 | NUT, CAP M6 | 2 | |
| 60 | 959006120 | CLIP | 1 | |
| 61 | 356354880 | OIL GAUGE PROTECTOR | 1 | |
| 62 | 356354870 | LINK PROTECTOR | 1 | |
| 63-1 | 001220820 | BOLT 8X20 | 4 | |
| 63-2 | 030208200 | WASHER, LOCK M8 | 4 | |
| 63-3 | 0401450080 | WASHER, FLAT M8..... | 4 | REPLACES P/N 031108160 |
| 64-1 | 011208025 | BOLT 8X25..... | 4 | REPLACES P/N 001220825 |
| 64-2 | 030208200 | WASHER, LOCK M8 | 4 | |
| 64-3 | 0401450080 | WASHER, FLAT M8..... | 4 | REPLACES P/N 031108160 |
| 66 | 362116871 | AIR CLEANER ASSY..... | 1 | INCLUDES ITEMS W/# |
| 66-1# | 362030011 | COVER COMP., AIR CLEANER | 1 | |
| 66-2# | 362030040 | GRIP BOLT COMP., AIR CLEANER | 1 | |
| 66-3# | 362030020 | PACKING, AIR CLEANER | 1 | |
| 66-4# | 362030030 | ELEMENT, AIR CLEANER | 1 | |
| 67 | 0401450080 | WASHER, FLAT M8..... | 1 | REPLACES P/N 031108160 |
| 68 | 050300070 | O-RING | 1 | |
| 69 | 353342400 | INTAKE PIPE | 1 | |
| 70 | 507010110 | CLAMP | 2 | |
| 81 | 307010110 | FRONT COVER | 1 | |
| 91 | 912210028 | ENGINE ASSY., GX100RTKRB6 | 1 | |

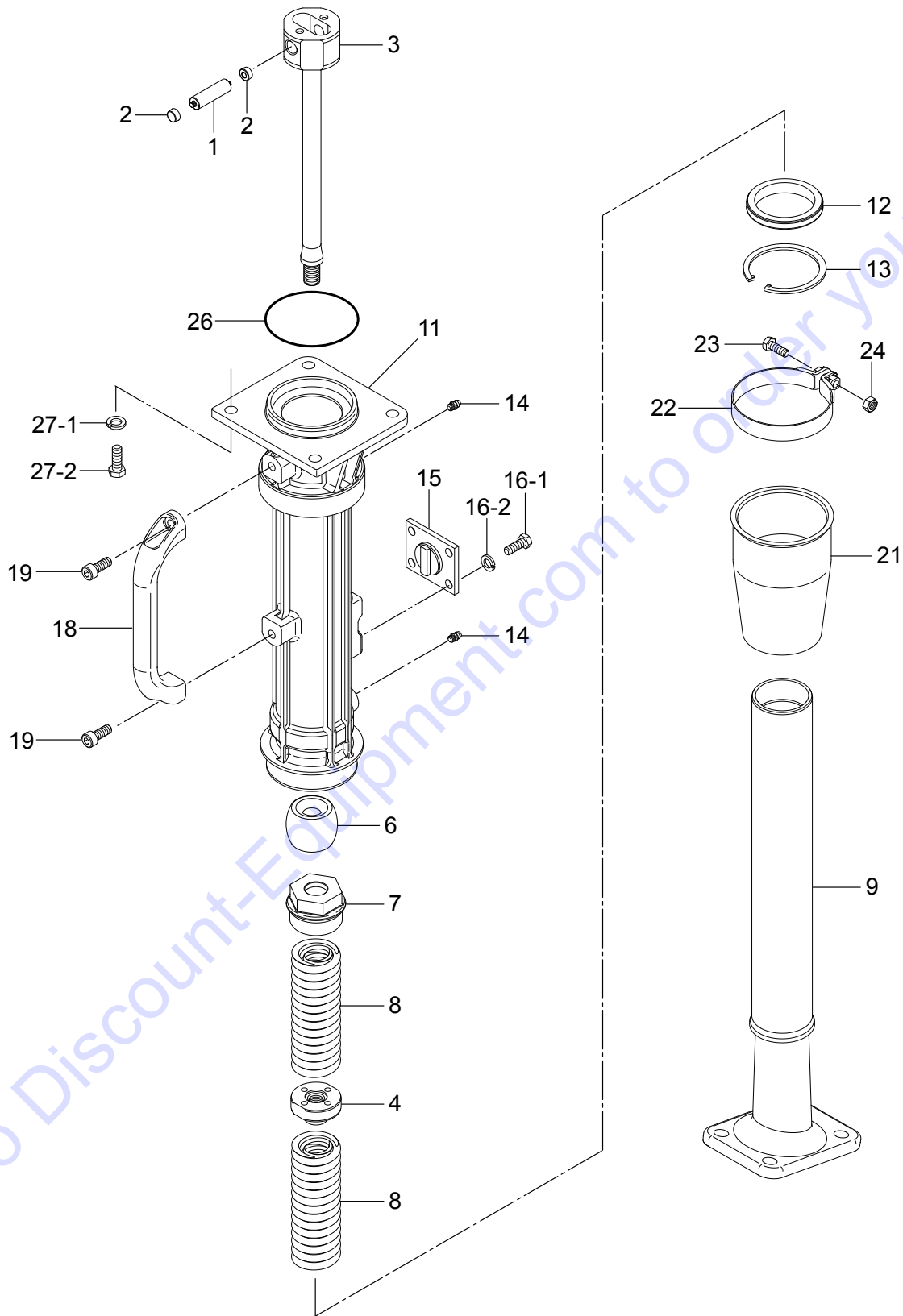
FUEL TANK AND HANDLE ASSY.



FUEL TANK AND HANDLE ASSY.

| <u>NO.</u> | <u>PART NO.</u> | <u>PART NAME</u> | <u>QTY.</u> | <u>REMARKS</u> |
|------------|-----------------|-------------------------------------|-------------|---|
| 1 | 351319900 | SHOCK ABSORBER | 2 | |
| 2-1 | 014210020 | SOCKET HEAD BOLT 10X20..... | 4..... | REPLACES P/N 001521020 |
| 2-2 | 033121009 | TOOTHED LOCK WASHER B M10 | 4 | |
| 3 | 012210020 | BOLT 10X20 H, SW | 4..... | REPLACES P/N 002211020 |
| 4 | 939010210 | STOPPER RUBBER | 1 | |
| 5 | 030208200 | WASHER, LOCK M8 | 1 | |
| 6 | 020108060 | NUT M8 | 1..... | REPLACES P/N 020308060 |
| 10# | 351437785 | HOLDER, COCK | 1 | |
| 11# | 954406020 | PACKING, FUEL TANK | 1 | |
| 12# | 954300720 | FUEL COCK ASSY. | 1 | |
| 13# | 954406010 | STRAINER (#110) | 1 | |
| 14 | 011208030 | BOLT 8X30..... | 2..... | REPLACES P/N 001220830 |
| 15 | 030208200 | WASHER, LOCK M8 | 2 | |
| 16 | 022710809 | NYLON NUT M8 | 2 | |
| 17 | 952401450 | WASHER 8.5X22X3 | 2 | |
| 21# | 954407840 | STRAINER (#80) | 1 | |
| 31 | 306117960 | HANDLE | 1 | |
| 36# | 361910070 | CAP, FUEL TANK COMP. (ORANGE) | 1..... | REPLACES P/N 361910021 INCLUDES ITEMS W/\$ |
| 36-1#\$ | 353449010 | STRAP, OIL TANK CAP | 1 | |
| 36-2#\$ | 362458350 | SUB CAP, BLACK | 1 | |
| 40 | 305910037 | FUEL TANK ASSY. 2L (EVP) | 1..... | INCLUDES ITEMS W/# |
| 41# | 363218261 | FUEL TANK, 2L (EVAPO) | 1 | |
| 51 | 91434Z4E812 | FUEL HOSE, 5.5X11.5X80..... | 1..... | REPLACES P/N 959026103 |
| 52 | 16910GB2005 | FILTER, IN-LINE FUEL | 1 | |
| 53 | 34479 | FUEL HOSE, 1M..... | 1..... | REPLACES P/N 950014500150M |
| 54 | H950024085008 | CLAMP, TUBE..... | 4..... | REPLACES P/N 950024085008 |

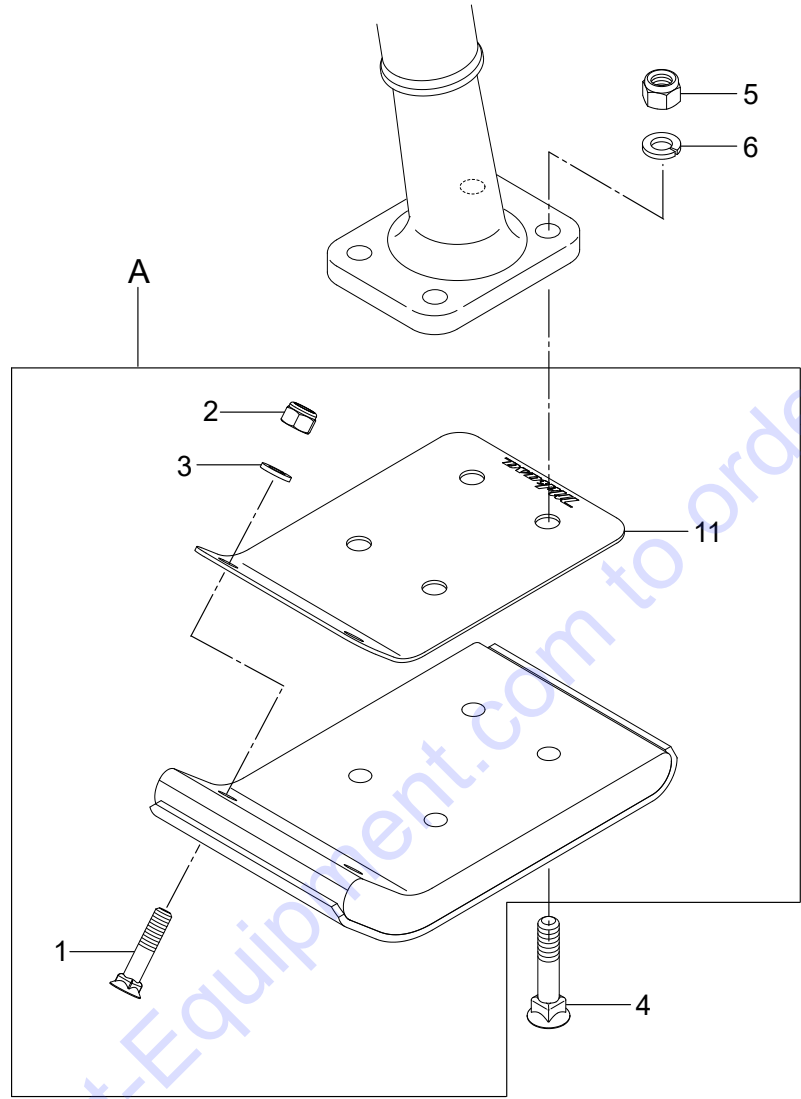
SPRING AND GUIDE CYLINDER ASSY.



SPRING AND GUIDE CYLINDER ASSY.

| <u>NO.</u> | <u>PART NO.</u> | <u>PART NAME</u> | <u>QTY.</u> | <u>REMARKS</u> |
|------------|-----------------|-----------------------|-------------|------------------------|
| 1 | 305464130 | PISTON PIN | 1 | |
| 2 | 368459920 | PISTON PIN PLUG | 1 | |
| 3 | 305337982 | PISTON ROD, M14 | 1 | |
| 4 | 305451550 | PISTON END, M14 | 1 | |
| 6 | 305446400 | STOPPER, UPPER | 1 | |
| 7 | 305446410 | CYLINDER CAP | 1 | |
| 8 | 305446420 | MAIN SPRING | 2 | |
| 9 | 307219790 | SPRING CYLINDER | 1 | |
| 11 | 305112730 | GUIDE CYLINDER | 1 | |
| 12 | 065105010 | DUST SEAL | 1 | |
| 13 | 080510680 | STOP RING | 1 | |
| 14 | 351010050 | GREASE FITTING | 2 | |
| 15 | 305446430 | STOPPER | 1 | |
| 16-1 | 011008015 | BOLT 8X15..... | 4 | REPLACES P/N 001220815 |
| 16-2 | 030208200 | WASHER, LOCK 8 MM | 4 | |
| 18 | 305446440 | GRIP | 1 | |
| 19 | 001520815 | SOCKET HEAD BOLT 8X15 | 2 | |
| 21 | 305446450 | DUST SLEEVE | 1 | |
| 22 | 305446460 | SLEEVE BAND | 1 | |
| 23 | 011208035 | BOLT 8X35..... | 1 | REPLACES P/N 001220835 |
| 24 | 020108060 | NUT M8..... | 1 | REPLACES P/N 020308060 |
| 26 | 050100800 | O-RING | 1 | |
| 27-1 | 0105091025 | BOLT 10X25..... | 4 | REPLACES P/N 001221025 |
| 27-2 | 030210250 | WASHER, LOCK M10 | 4 | |

FOOT ASSY.



FOOT ASSY.

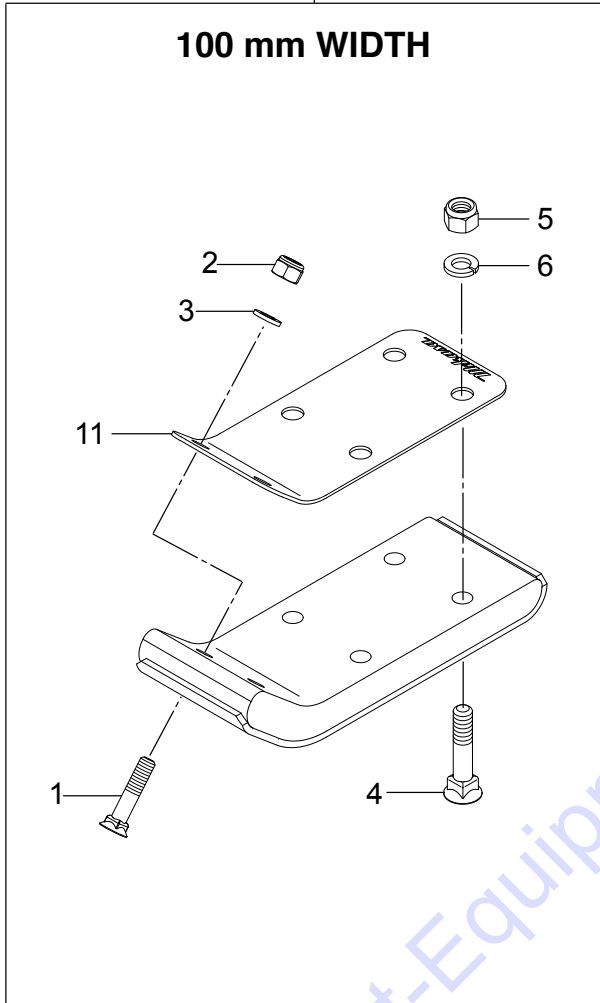
| <u>NO.</u> | <u>PART NO.</u> | <u>PART NAME</u> | <u>QTY.</u> | <u>REMARKS</u> |
|------------|-----------------|-------------------------|-------------|------------------------|
| A | 305910050 | FOOT ASSY., 150B..... | 1..... | INCLUDES ITEMS W/\$ |
| 1\$ | 009110033 | BOLT, SQUARE NECK 10X50 | 2 | |
| 2\$ | 021110120 | NYLON NUT M10 | 2..... | REPLACES P/N 022711012 |
| 3\$ | 030210250 | WASHER, LOCK M10 | 2 | |
| 4 | 009110034 | BOLT, SQUARE NECK 12X65 | 4 | |
| 5 | 021112140 | NYLON NUT M12 | 4..... | REPLACES P/N 022711214 |
| 6 | 030212300 | WASHER, LOCK M12 | 4 | |
| 11\$ | 306461630 | FOOT COVER, 140 | 1 | |

Go to Discount-Equipment.com to order your parts

FOOT (OPTION) ASSY.

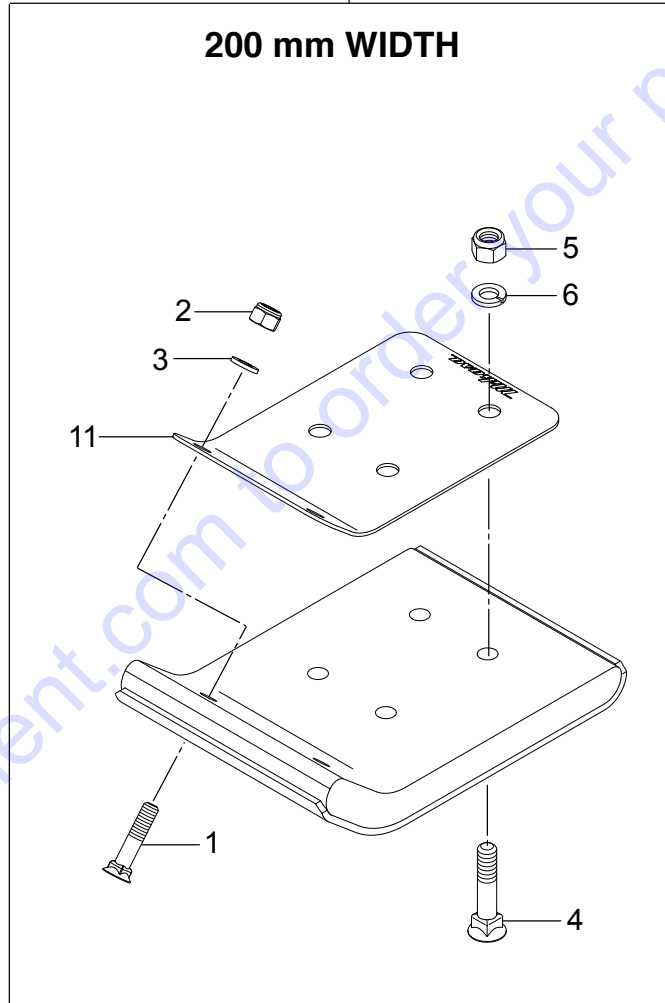
A

100 mm WIDTH



B

200 mm WIDTH

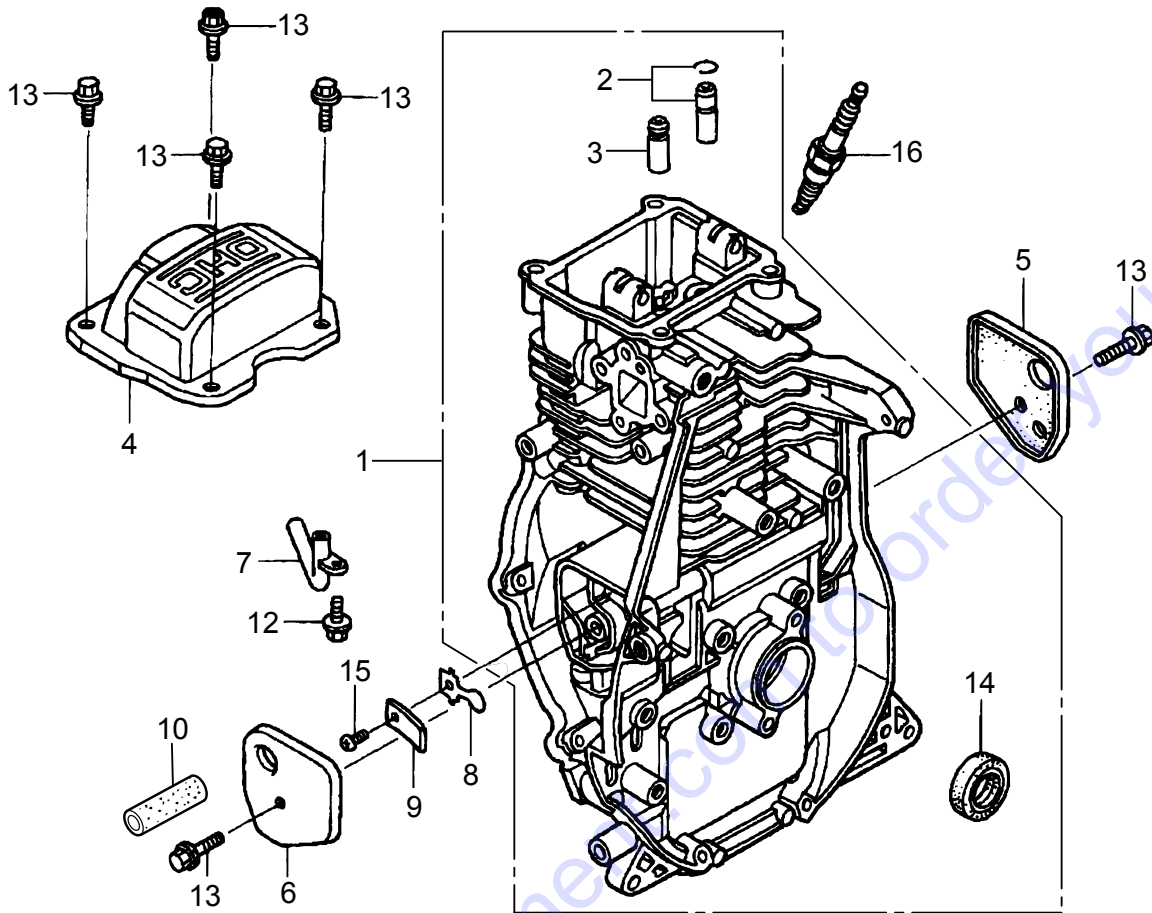


FOOT (OPTION) ASSY.

| <u>NO.</u> | <u>PART NO.</u> | <u>PART NAME</u> | <u>QTY.</u> | <u>REMARKS</u> |
|------------|-----------------|-------------------------|-------------|------------------------|
| A | 305910070 | FOOT ASSY. 100B..... | 1..... | INCLUDES ITEMS W/# |
| B | 305910060 | FOOT ASSY. 200B..... | 1..... | INCLUDES ITEMS W/\$ |
| 1#\$ | 009110033 | BOLT, SQUARE NECK 10X50 | 2 | |
| 2#\$ | 021110120 | NUT, NYLON M10..... | 2..... | REPLACES P/N 022711012 |
| 3#\$ | 030210250 | WASHER, LOCK M10 | 2 | |
| 4#\$ | 009110034 | BOLT, SQUARE NECK 12X65 | 4 | |
| 5#\$ | 021112140 | NUT, NYLON M12..... | 4..... | REPLACES P/N 022711214 |
| 6#\$ | 030212300 | WASHER, LOCK 12 MM | 4 | |
| 11# | 306461620 | FOOT COVER, 96B..... | 1..... | 100B |
| 11\$ | 306461630 | FOOT COVER, 140..... | 1..... | 200B |

Go to Discount-Equipment.com to order your parts

HONDA GX100RTKRB6 ENG. — CYLINDER BARREL ASSY.

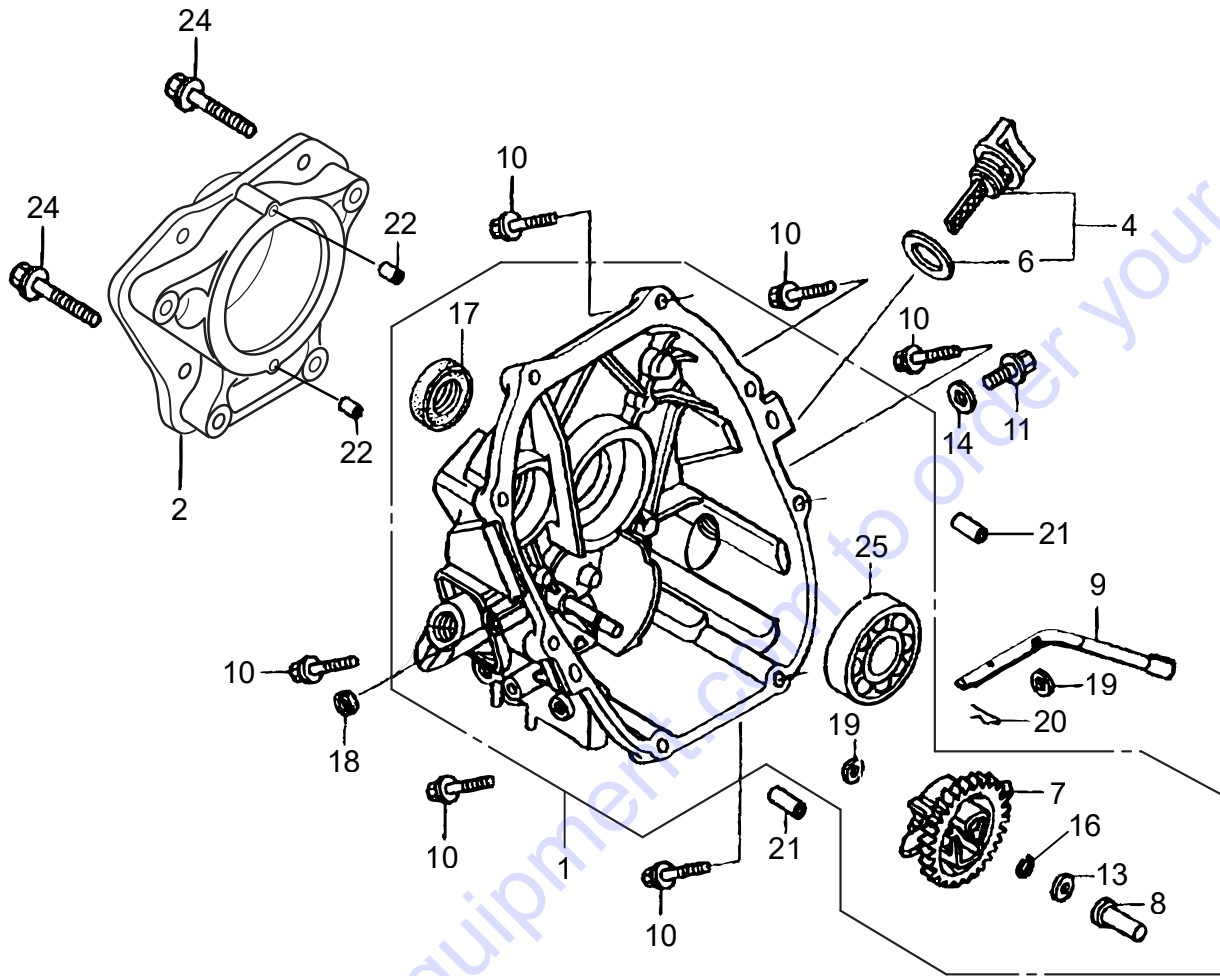


HONDA GX100RTKRB6 ENG. — CYLINDER BARREL ASSY.

| <u>NO.</u> | <u>PART NO.</u> | <u>PART NAME</u> | <u>QTY.</u> | <u>REMARKS</u> |
|------------|-----------------|---------------------------------|-------------|---------------------|
| 1 | 12000Z0D405 | BARREL ASSY., CYLINDER | 1..... | INCLUDES ITEMS W/\$ |
| 2\$ | 12201Z0D305 | GUIDE ASSY., EXHAUST VALVE (OS) | 1 | |
| 3\$ | 12204Z0D305 | GUIDE, INLET VALVE (O.S.) | 1 | |
| 4 | 12311Z0D000 | COVER, HEAD | 1 | |
| 5 | 12355Z0D000 | COVER COMPLETE A, BREATHER | 1 | |
| 6 | 12365Z0D000 | COVER COMPLETE B, BREATHER | 1 | |
| 7 | 15171Z0DV00 | PIPE, BREATHER | 1 | |
| 8 | 15571Z0DV71 | VALVE, OIL OUTLET | 1 | |
| 9 | 15572ZM7000 | PLATE, STOPPER | 1 | |
| 10 | 15721Z0D000 | TUBE, BREATHER | 1 | |
| 12 | 90008ZM7000 | BOLT 4X10 | 1 | |
| 13 | 90014952000 | BOLT, FLANGE 6X14 | 6 | |
| 14\$ | 91202KJ9003 | OIL SEAL 20X32X6 | 1 | |
| 15 | 93500030050A | SCREW, PAN 3X5 | 1 | |
| 16 | 9805655777 | SPARK PLUG | 1 | |

Go to Discount-Equipment.com to order your parts

HONDA GX100RTKRB6 ENG. — CRANKCASE COVER ASSY.

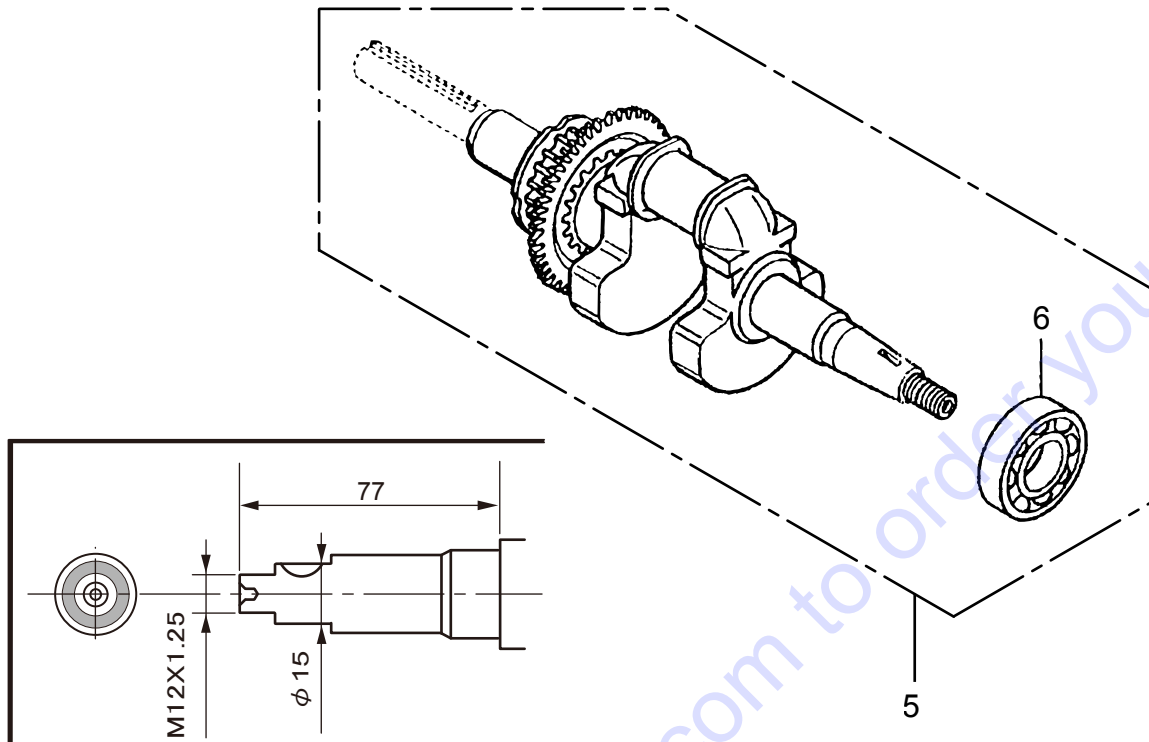


HONDA GX100RTKRB6 ENG. — CRANKCASE COVER ASSY.

| <u>NO.</u> | <u>PART NO.</u> | <u>PART NAME</u> | <u>QTY.</u> | <u>REMARKS</u> |
|------------|-----------------|------------------------------|-------------|--------------------------|
| 1 | 11300Z0D409 | COVER ASSY., CRANK CASE..... | 1..... | INCLUDES ITEMS W/# |
| 2 | 11511Z0DV00 | FLANGE, P.T.O. | 1 | |
| 4 | 15600ZDF000 | CAP ASSY., OIL FILLER | 1..... | INCLUDES ITEMS W/\$ |
| 6\$ | 15625Z0T800 | PACKING, OIL FILLER CAP | 1 | |
| 7# | 16510ZL8000 | GOVERNOR ASSY. | 1 | |
| 8# | 16531ZE1000 | SLIDER, GOVERNOR | 1 | |
| 9 | 16541Z0D000 | SHAFT, GOVERNOR ARM | 1 | |
| 10 | 957010602500 | FLANGE BOLT 6X25 | 8..... | REPLACES P/N 90121952000 |
| 11 | 90131ZE1000 | BOLT, DRAIN PLUG | 1 | |
| 13# | 90451ZE1000 | THRUST WASHER 6MM | 1 | |
| 14 | 90601ZE1000 | WASHER, DRAIN PLUG | 1 | |
| 16# | 90602ZE1000 | CLIP, GOVERNOR HOLDER | 1 | |
| 17# | 91202KJ9003 | OIL SEAL 20X32X6 | 1 | |
| 18 | 91231891003 | OIL SEAL 6X11X4 | 1 | |
| 19 | 58176 | WASHER, FLAT 6MM..... | 2..... | REPLACES P/N 9410106800 |
| 20 | 9425108000 | LOCK PIN 8MM | 1 | |
| 21 | 9430108200 | KNOCK PIN 8X20 | 2 | |
| 22 | 9430306100 | KNOCK PIN 6X10 | 2 | |
| 24 | 957010804000 | BOLT, FLANGE 8X40 | 4 | |
| 25# | 91001Z0DV01 | BEARING, RADIAL BALL | 1 | |

Go to Discount-Equipment.com to order your parts

HONDA GX100RTKRB6 ENG. — CRANKSHAFT ASSY.

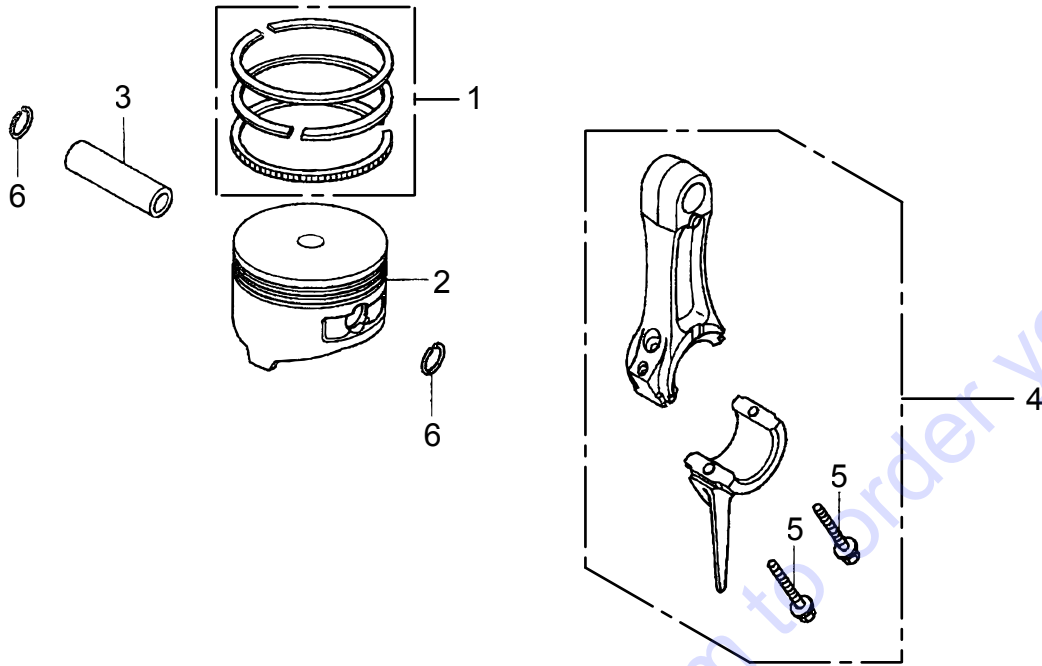


HONDA GX100RTKRB6 ENG. — CRANKSHAFT ASSY.

| <u>NO.</u> | <u>PART NO.</u> | <u>PART NAME</u> | <u>QTY.</u> | <u>REMARKS</u> |
|------------|-----------------|---------------------------|-------------|--------------------|
| 5 | 13310Z0DV00 | CRANK SHAFT COMPLETE..... | 1..... | INCLUDES ITEM W/\$ |
| 6\$ | 91001Z0DV01 | BEARING, RADIAL BALL | 1 | |

Go to Discount-Equipment.com to order your parts

HONDA GX100RTKRB6 ENG. — PISTON/CONN. ROD ASSY.



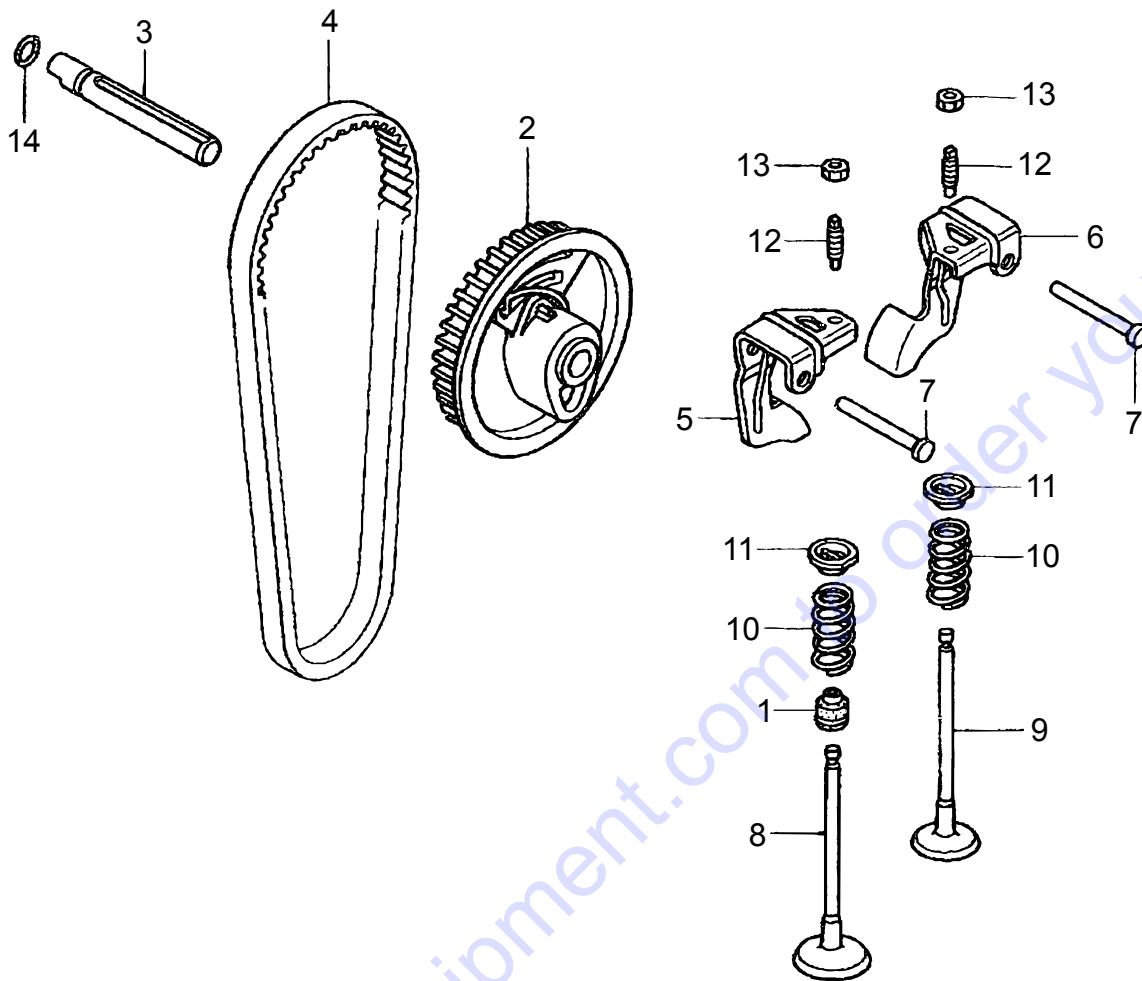
Go to Discount-Equipment.com to order your parts

HONDA GX100RTKRB6 ENG. — PISTON/CONN. ROD ASSY.

| <u>NO.</u> | <u>PART NO.</u> | <u>PART NAME</u> | <u>QTY.</u> | <u>REMARKS</u> |
|------------|-----------------|--------------------------|-------------|-------------------|
| 1 | 13010Z0D003 | RING SET, PISTON | 1 | |
| 2 | 13101ZDD000 | PISTON | 1 | |
| 3 | 13111ZE0000 | PISTON PIN | 1 | |
| 4 | 13200Z0D000 | CONNECTING ROD ASSY..... | 1..... | INCLUDES ITEM W/# |
| 5# | 90001ZM7000 | CONNECTING ROD BOLT | 2 | |
| 6 | 90551ZE0000 | CLIP, PISTON PIN 13MM | 2 | |

Go to Discount-Equipment.com to order your parts

HONDA GX100RTKRB6 ENG. — CAMSHAFT PULLEY ASSY.

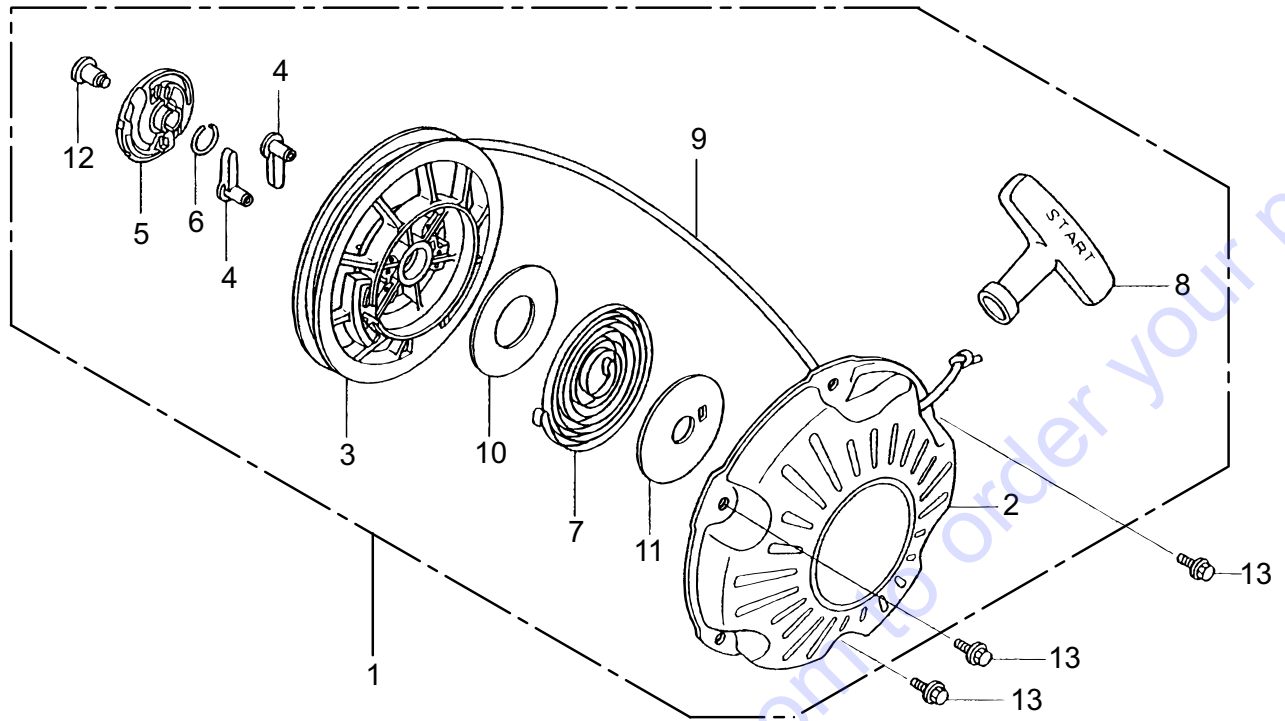


HONDA GX100RTKRB6 ENG. — CAMSHAFT PULLEY ASSY.

| <u>NO.</u> | <u>PART NO.</u> | <u>PART NAME</u> | <u>QTY.</u> | <u>REMARKS</u> |
|------------|-----------------|----------------------------|-------------|----------------|
| 1 | 12209KT7013 | SEAL, VALVE STEM | 1 | |
| 2 | 14320ZDD000 | PULLEY COMP., CAMSHAFT/RTE | 1 | |
| 3 | 14324Z0D000 | SHAFT, CAM PULLEY | 1 | |
| 4 | 14400Z0D003 | TIMING BELT | 1 | |
| 5 | 14431ZDD000 | ROCKER ARM, INTAKE VALVE | 1 | |
| 6 | 14441ZDD000 | ROCKER ARM, EXHAUST VALVE | 1 | |
| 7 | 14461ZL8000 | SHAFT, ROCKER ARM | 2 | |
| 8 | 14711Z0D000 | INLET VALVE | 1 | |
| 9 | 14721Z0D000 | EXHAUST VALVE | 1 | |
| 10 | 14751Z0D000 | SPRING, VALVE | 2 | |
| 11 | 14771ZM3010 | RETAINER, VALVE SPRING | 2 | |
| 12 | 90012333000 | SCREW, TAPPET ADJUSTING | 2 | |
| 13 | 90206001000 | NUT, TAPPET ADJUSTING | 2 | |
| 14 | 91301ZM0V31 | O-RING 6.8X1.9 | 1 | |

Go to Discount-Equipment.com to order your parts

HONDA GX100RTKRB6 ENG. — RECOIL STARTER ASSY.

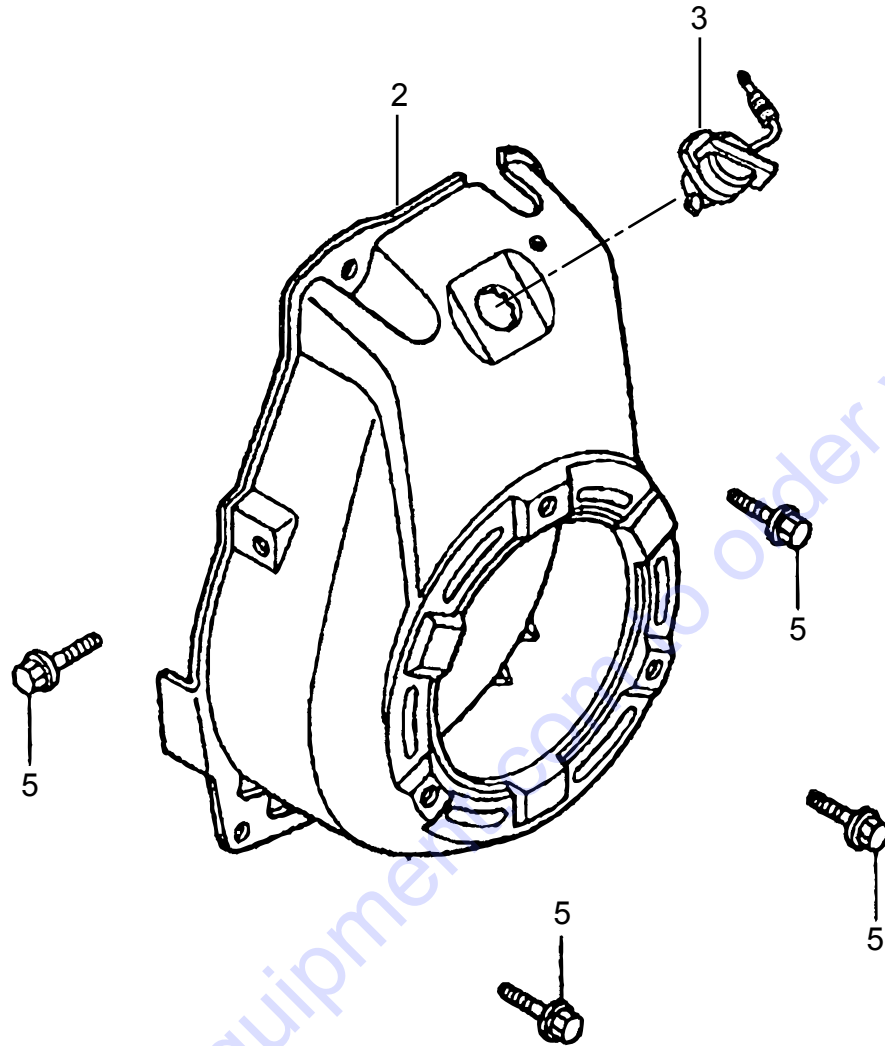


HONDA GX100RTKRB6 ENG. — RECOIL STARTER ASSY.

| <u>NO.</u> | <u>PART NO.</u> | <u>PART NAME</u> | <u>QTY.</u> | <u>REMARKS</u> |
|------------|-----------------|--------------------------------|-------------|--------------------------|
| 1 | 28400Z0DV04ZA | RECOIL STARTER ASSY..... | 1..... | INCLUDES ITEMS W/\$ |
| 2\$ | 28410Z0DV02ZA | CASE COMPLETE/RECOIL *5-3-5(B) | 1 | |
| 3\$ | 28421ZDD003 | REEL, RECOIL STARTER | 1 | |
| 4\$ | 28422ZG0W02 | RATCHET, STARTER | 2 | |
| 5\$ | 28433ZG0W02 | GUIDE, RATCHET | 1 | |
| 6\$ | 28441ZW9003 | SPRING, FRICTION..... | 1..... | REPLACES P/N 28441ZW6003 |
| 7\$ | 28442ZH8003 | SPRING, RECOIL STARTER | 1 | |
| 8\$ | 28461ZDD003 | KNOB, RECOIL STARTER | 1 | |
| 9\$ | 28462Z0DV03 | ROPE, RECOIL STARTER | 1 | |
| 10\$ | 28467Z0DV02 | PLATE, SIDE | 1 | |
| 11\$ | 28468Z0DV02 | PLATE, SLIDE | 1 | |
| 12\$ | 90003ZH8003 | SET SCREW | 1 | |
| 13 | 957010600800 | FLANGE BOLT 6X8 | 3 | |

Go to Discount-Equipment.com to order your parts

HONDA GX100RTKRB6 ENG. — FAN COVER ASSY.

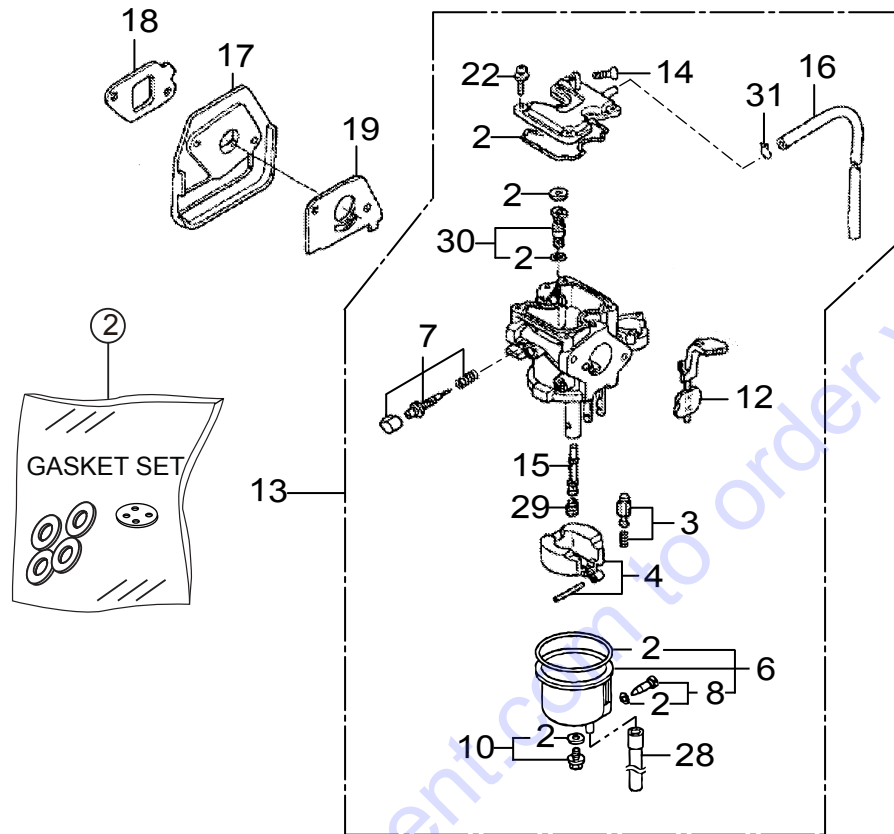


HONDA GX100RTKRB6 ENG. — FAN COVER ASSY.

| <u>NO.</u> | <u>PART NO.</u> | <u>PART NAME</u> | <u>QTY.</u> | <u>REMARKS</u> |
|------------|-----------------|-----------------------------|-------------|----------------|
| 2 | 19610Z0DV00ZB | FAN COVER COMPLETE, BLK. | 1 | |
| 3 | 35120Z0DV81 | SWITCH ASSY., ENGINE STOP/U | 1 | |
| 5 | 90014952000 | BOLT, FLANGE 6X14 | 4 | |

Go to Discount-Equipment.com to order your parts

HONDA GX100RTKRB6 ENG. — CARBURETOR ASSY.



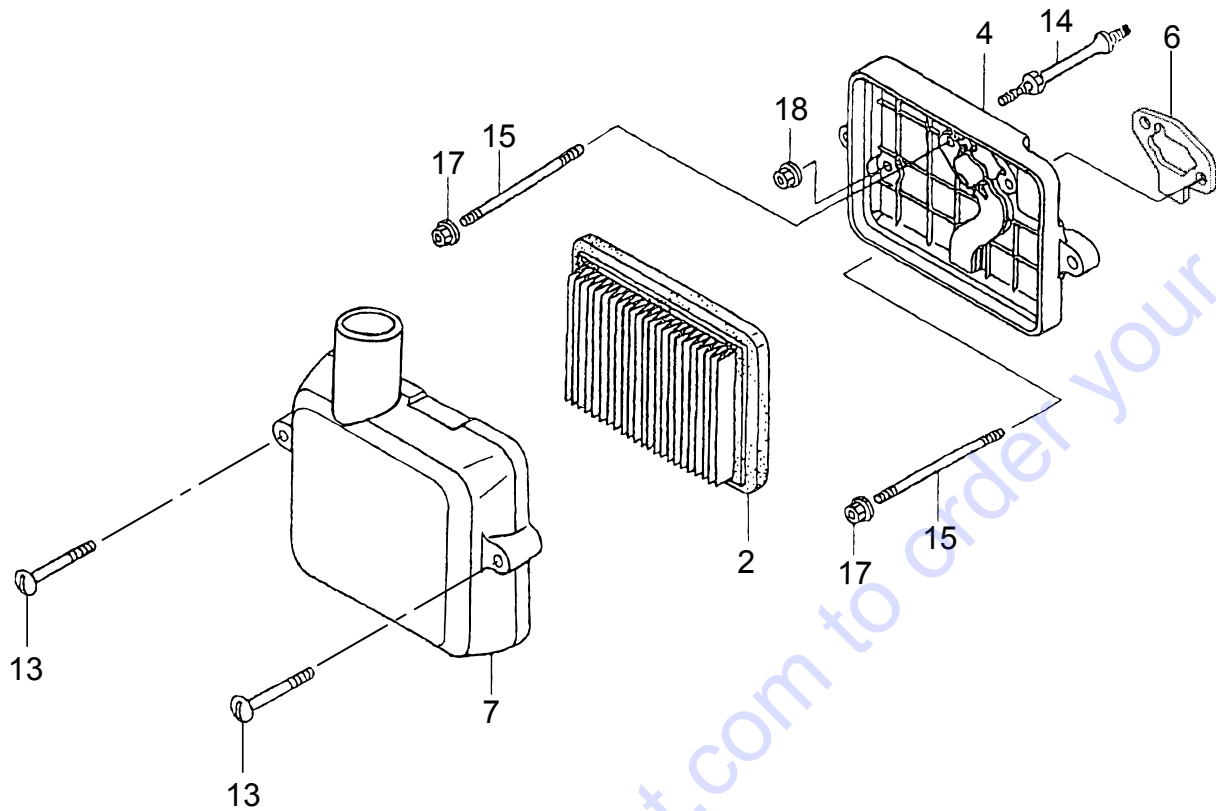
NOTICE

Gasket set, item 2 included with items 6, 8, 10 and 30.

HONDA GX100RTKRB6 ENG. — CARBURETOR ASSY.

| <u>NO.</u> | <u>PART NO.</u> | <u>PART NAME</u> | <u>QTY.</u> | <u>REMARKS</u> |
|------------|-----------------|--------------------------|-------------|---------------------|
| 2\$% | 16010Z4EW51 | GASKET SET | 1 | |
| 3\$ | 16011ZDJ851 | VALVE SET, FLOAT | 1 | |
| 4\$ | 16013ZG0811 | FLOAT SET | 1 | |
| 6\$ | 16015Z4EW51 | FLOAT CHAMBER SET | 1 | INCLUDES ITEM W/% |
| 7\$ | 16016Z0DV21 | SCREW SET | 1 | |
| 8\$ | 16024124760 | SCREW SET, DRAIN | 1 | INCLUDES ITEM W/% |
| 10\$ | 16028ZC0005 | SCREW SET | 1 | INCLUDES ITEM W/% |
| 12\$ | 16044Z0DV21 | LEVER SET, CHOKE | 1 | |
| 13 | 16100Z4EV11 | CARBURETOR ASSY..... | 1 | INCLUDES ITEMS W/\$ |
| 14\$ | 16124ZE0005 | SCREW, THROTTLE STOP | 1 | |
| 15\$ | 16166Z0D003 | MAIN NOZZLE | 1 | |
| 16\$ | 16199Z0DV21 | TUBE, VENT | 1 | |
| 17 | 16211Z0D010 | INSULATOR, CARBURETOR | 1 | |
| 18 | 16212Z0DV20 | PACKING, INSULATOR | 1 | |
| 19 | 16221ZG0801 | PACKING, CARBURETOR | 1 | |
| 22\$ | 938920401208 | SCREW-WASHER, 4X12 | 4 | |
| 28\$ | 950030501931 | TUBE, VINYL, 3.5X6.5X190 | 1 | |
| 29\$ | 99101ZG00580 | JET, MAIN #58 | 1 | |
| 30\$ | 99204ZE00350 | PILOT JET SET #35 | 1 | INCLUDES ITEM W/% |
| 31\$ | 9500202089 | CLIP, TUBE | 1 | |

HONDA GX100RTKRB6 ENG. — AIR CLEANER ASSY.

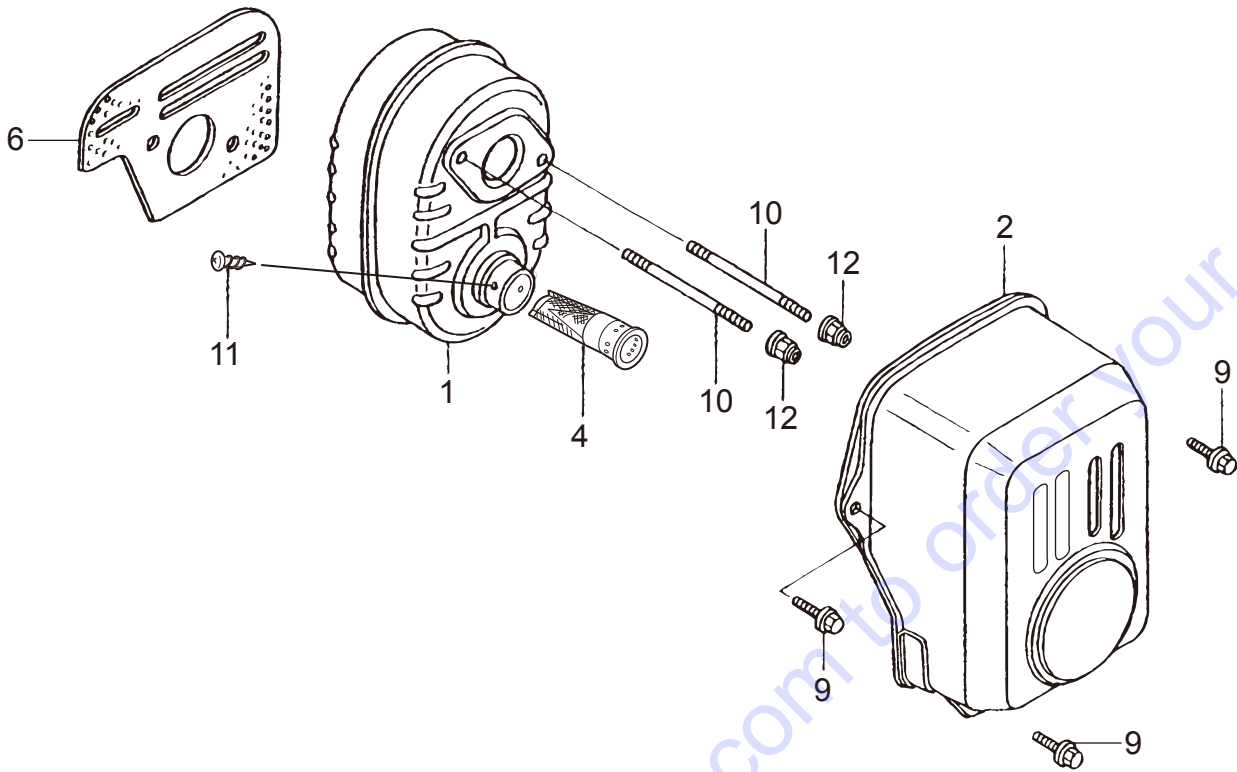


HONDA GX100RTKRB6 ENG. — AIR CLEANER ASSY.

| <u>NO.</u> | <u>PART NO.</u> | <u>PART NAME</u> | <u>QTY.</u> | <u>REMARKS</u> |
|------------|-----------------|----------------------------|-------------|----------------|
| 2 | 17211ZL8023 | CLEANER, ELEMENT | 1 | |
| 4 | 17220Z0DV22 | CASE COMPLETE, AIR CLEANER | 1 | |
| 6 | 17228Z0DV21 | PACKING, AIR CLEANER | 1 | |
| 7 | 17231Z0DV62 | COVER, AIR CLEANER | 1 | |
| 13 | 90011Z0D000 | BOLT, AIR CLEANER COVER | 2 | |
| 14 | 90041Z0DV20 | STUD BOLT | 1 | |
| 15 | 90042Z0DV20 | STUD BOLT 5X75 | 2 | |
| 17 | 9405005000 | FLANGE NUT 5MM | 2 | |
| 18 | 9405006000 | FLANGE NUT 6MM | 1 | |

Go to Discount-Equipment.com to order your parts

HONDA GX100RTKRB6 ENG. — MUFFLER ASSY.

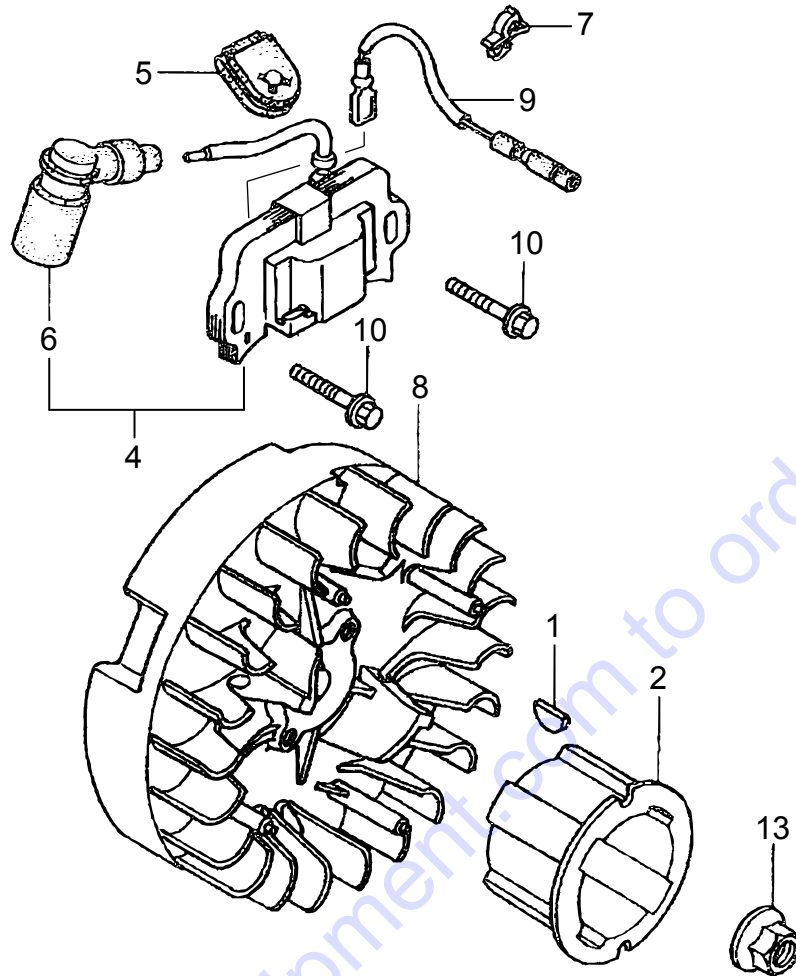


HONDA GX100RTKRB6 ENG. — MUFFLER ASSY.

| <u>NO.</u> | <u>PART NO.</u> | <u>PART NAME</u> | <u>QTY.</u> | <u>REMARKS</u> |
|------------|-----------------|---------------------------|-------------|----------------|
| 1 | 18310ZDD810 | MUFFLER COMPLETE | 1 | |
| 2 | 18321Z0DV22 | MUFFLER PROTECTOR | 1 | |
| 4 | 18350ZL8000 | ARRESTER COMP.,SPARK/RT-E | 1 | |
| 6 | 18381Z0D000 | GASKET, MUFFLER | 1 | |
| 9 | 90014952000 | BOLT, FLANGE 6X14 | 3 | |
| 10 | 90048Z0DV00 | STUD BOLT 6X78 | 2 | |
| 11 | 90055ZE1000 | TAPPING SCREW 4X6 | 1 | |
| 12 | 90343ZE6000 | NUT, SELF-LOCK 6 MM | 2 | |

Go to Discount-Equipment.com to order your parts

HONDA GX100RTKRB6 ENG. — FLYWHEEL/IGN. COIL ASSY.

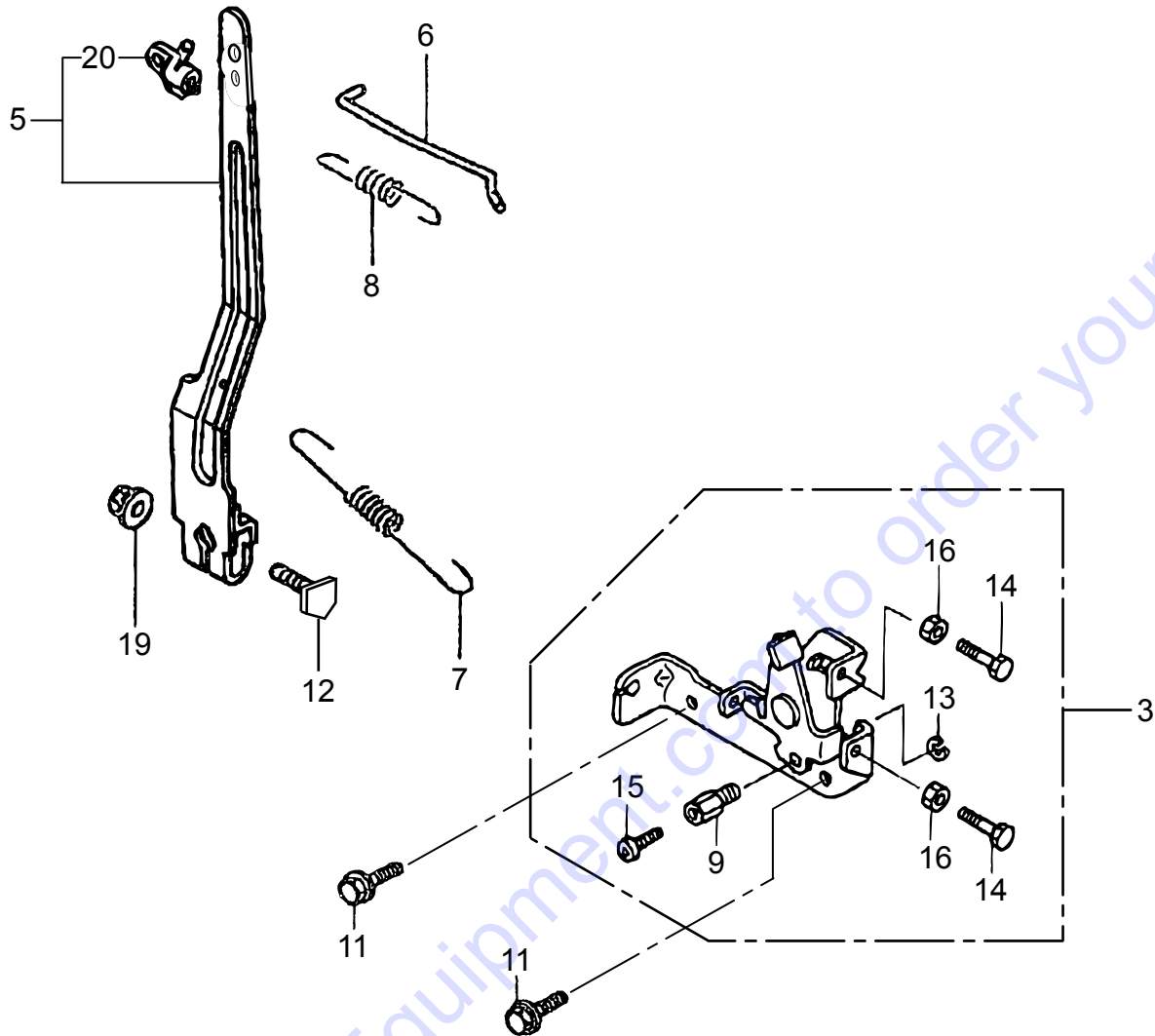


HONDA GX100RTKRB6 ENG. — FLYWHEEL/IGN. COIL ASSY.

| <u>NO.</u> | <u>PART NO.</u> | <u>PART NAME</u> | <u>QTY.</u> | <u>REMARKS</u> |
|------------|-----------------|-------------------------|-------------|-------------------|
| 1 | 13331ZM7000 | WOODRUFF KEY 25X18 | 1 | |
| 2 | 28451Z0DV03 | STARTER PULLEY | 1 | |
| 4 | 30500Z0DV02 | IGNITION COIL ASSY..... | 1 | INCLUDES ITEM W/# |
| 5 | 30564ZA5000 | GROMMET, CORD | 1 | |
| 6# | 30700Z0DV01 | TERMINAL ASSY. | 1 | |
| 7 | 30701883000 | CLIP, HIGH TENSION CORD | 1 | |
| 8 | 31110Z0D003 | FLYWHEEL COMPLETE | 1 | |
| 9 | 32195Z0D000 | CORD, STOP SWITCH | 1 | |
| 10 | 90022888010 | FLANGE BOLT 6X20 | 2 | |
| 13 | 9405012000 | FLANGE NUT M12 | 1 | |

Go to Discount-Equipment.com to order your parts

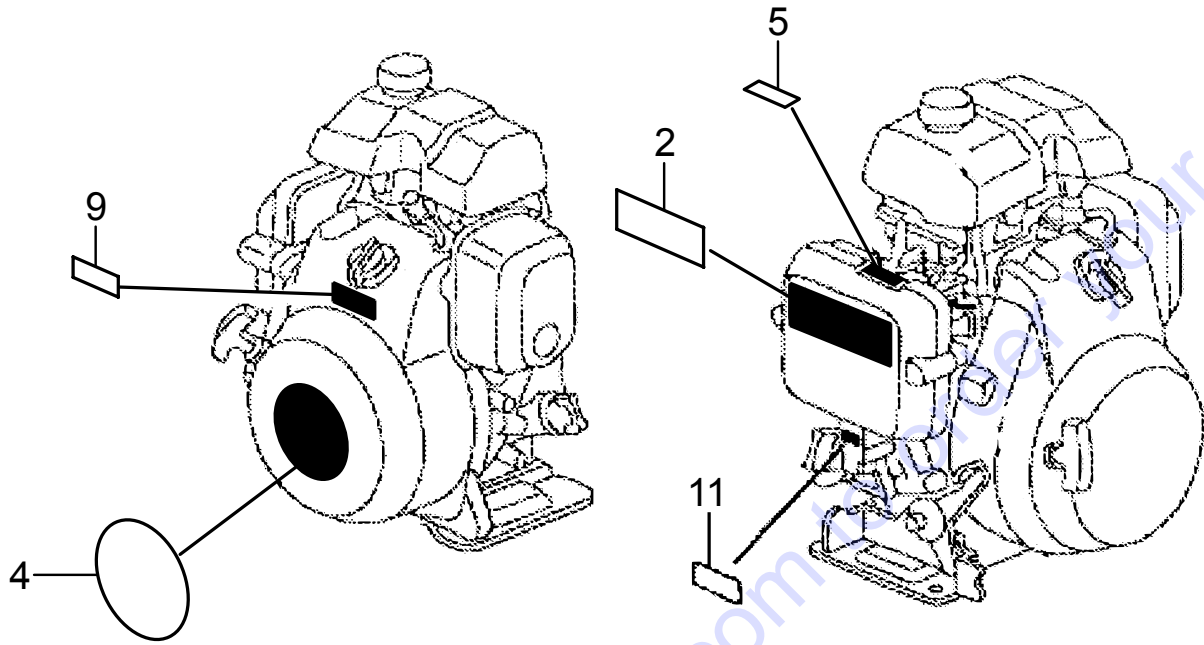
HONDA GX100RTKRB6 ENG. — CONTROL ASSY.



HONDA GX100RTKRB6 ENG. — CONTROL ASSY.

| <u>NO.</u> | <u>PART NO.</u> | <u>PART NAME</u> | <u>QTY.</u> | <u>REMARKS</u> |
|------------|-----------------|--------------------|-------------|---------------------------|
| 3 | 16500Z4ES30 | CONTROL ASSY..... | 1..... | INCLUDES ITEMS W/\$ |
| 5 | 16550Z0DV21 | GOVERNOR ARM | 1..... | INCLUDES ITEM W/# |
| 6 | 16555Z0DV20 | GOVERNOR ROD | 1 | |
| 7 | 16561Z0DV20 | GOVERNOR SPRING | 1 | |
| 8 | 16562Z0DV20 | SPRING, THROTTLE | 1 | |
| 9\$ | 16594883010 | HOLDER, WIRE | 1 | |
| 11 | 90014952000 | BOLT, FLANGE 6X14 | 2 | |
| 12 | 90015Z5T000 | BOLT, GOVERNOR ARM | 1 | |
| 13\$ | 90605230000 | CIR CLIP | 1 | |
| 14\$ | 92301050220A | BOLT 5X20..... | 2..... | REPLACES P/N 92301050200A |
| 15\$ | 0043504060 | SCREW 4X6 | 1..... | REPLACES P/N 93500040060H |
| 16\$ | 940010500005 | NUT M5..... | 2..... | REPLACES P/N 9400105000 |
| 19 | 9405006000 | FLANGE NUT 6MM | 1 | |
| 20# | 16263883W10 | JOINT, ROD | 1 | |

HONDA GX100RTKRB6 ENG. — LABEL ASSY.



HONDA GX100RTKRB6 ENG. — LABEL ASSY.

| <u>NO.</u> | <u>PART NO.</u> | <u>PART NAME</u> | <u>QTY.</u> | <u>REMARKS</u> |
|------------|-----------------|----------------------------|-------------|----------------|
| 2 | 87516ZDD000 | MARK, OPERATOR CAUTION/ENG | 1 | |
| 4 | 87521ZDDP10 | EMBLEM (GX100) (RAMMER) | 1 | |
| 5 | 87528Z0D000 | MARK, CHOKE | 1 | |
| 9 | 87539Z0J000 | MARK, EX. CAUTION/PICTO | 1 | |
| 11 | 87601ZDJV20 | MARK, TYPE (KRB6) | 1 | |

Go to Discount-Equipment.com to order your parts

PARTS FINDER

**Search Website
by Part Number**



**Search Manual
Library For Parts
Manual & Lookup Part
Numbers – Purchase
or Request Quote**

Search Manuals

Enter your information to help us find the right parts manual for your machine.

* Brand:

* Model:

* Serial:

* Part Number:

SEARCH

**Can't Find Part or
Manual? Request Help
by Manufacturer,
Model & Description**

Parts Order Form

Please fill in the following information to help us find the right part for your machine.

| | |
|---------------|----------------------|
| Manufacturer: | <input type="text"/> |
| Model: | <input type="text"/> |
| Description: | <input type="text"/> |
| Part Number: | <input type="text"/> |
| Quantity: | <input type="text"/> |
| Notes: | <input type="text"/> |

Submit

Discount-Equipment.com is your online resource for quality parts & equipment.

Florida: **561-964-4949** Outside Florida TOLL FREE: **877-690-3101**

Need parts?

Click on this link: <http://www.discount-equipment.com/category/5443-parts/> and choose one of the options to help get the right parts and equipment you are looking for. Please have the machine model and serial number available in order to help us get you the correct parts. If you don't find the part on the website or on one of the online manuals, please fill out the request form and one of our experienced staff members will get back to you with a quote for the right part that your machine needs.

We sell worldwide for the brands: Genie, Terex, JLG, MultiQuip, Mikasa, Essick, Whiteman, Mayco, Toro Stone, Diamond Products, Generac Magnum, Airman, Haulotte, Barreto, Power Blanket, Nifty Lift, Atlas Copco, Chicago Pneumatic, Allmand, Miller Curber, Skyjack, Lull, Skytrak, Tsurumi, Husquvarna Target, Stow, Wacker, Sakai, Mi-T-M, Sullair, Basic, Dynapac, MBW, Weber, Bartell, Bennar Newman, Haulotte, Ditch Runner, Menegotti, Morrison, Contec, Buddy, Crown, Edco, Wyco, Bomag, Laymor, EZ Trench, Bil-Jax, F.S. Curtis, Gehl Pavers, Heli, Honda, ICS/PowerGrit, IHI, Partner, Imer, Clipper, MMD, Koshin, Rice, CH&E, General Equipment, Amida, Coleman, NAC, Gradall, Square Shooter, Kent, Stanley, Tamco, Toku, Hatz, Kohler, Robin, Wisconsin, Northrock, Oztec, Toker TK, Rol-Air, APT, Wylie, Ingersoll Rand / Doosan, Innovatech, Con X, Ammann, Mecalac, Makinex, Smith Surface Prep, Small Line, Wanco, Yanmar