

PARTS MANUAL



 **MAYCO SERIES**
MODEL LS300G
CONCRETE PUMP
(ZENITH Z428 GASOLINE ENGINE)

Revision #2 (10/12/21)



THIS MANUAL MUST ACCOMPANY THE EQUIPMENT AT ALL TIMES.

PARTS FINDER

**Search Website
by Part Number**



**Search Manual
Library For Parts
Manual & Lookup Part
Numbers – Purchase
or Request Quote**

Search Manuals

Enter your information to help us find the right parts manual for your equipment.

* Brand:

* Model:

* Serial:

* Part Number:

SEARCH

**Can't Find Part or
Manual? Request Help
by Manufacturer,
Model & Description**

Parts Order Form

Please fill in the following information to help us find the right part for your equipment.

Manufacturer:	<input type="text"/>
Model:	<input type="text"/>
Description:	<input type="text"/>
Part Number:	<input type="text"/>
Quantity:	<input type="text"/>
Notes:	<input type="text"/>

Submit

Discount-Equipment.com is your online resource for quality parts & equipment.

Florida: **561-964-4949** Outside Florida TOLL FREE: **877-690-3101**

Need parts?

Click on this link: <http://www.discount-equipment.com/category/5443-parts/> and choose one of the options to help get the right parts and equipment you are looking for. Please have the machine model and serial number available in order to help us get you the correct parts. If you don't find the part on the website or on one of the online manuals, please fill out the request form and one of our experienced staff members will get back to you with a quote for the right part that your machine needs.

We sell worldwide for the brands: Genie, Terex, JLG, MultiQuip, Mikasa, Essick, Whiteman, Mayco, Toro Stone, Diamond Products, Generac Magnum, Airman, Haulotte, Barreto, Power Blanket, Nifty Lift, Atlas Copco, Chicago Pneumatic, Allmand, Miller Curber, Skyjack, Lull, Skytrak, Tsurumi, Husquvarna Target, Stow, Wacker, Sakai, Mi-T-M, Sullair, Basic, Dynapac, MBW, Weber, Bartell, Bennar Newman, Haulotte, Ditch Runner, Menegotti, Morrison, Contec, Buddy, Crown, Edco, Wyco, Bomag, Laymor, EZ Trench, Bil-Jax, F.S. Curtis, Gehl Pavers, Heli, Honda, ICS/PowerGrit, IHI, Partner, Imer, Clipper, MMD, Koshin, Rice, CH&E, General Equipment, Amida, Coleman, NAC, Gradall, Square Shooter, Kent, Stanley, Tamco, Toku, Hatz, Kohler, Robin, Wisconsin, Northrock, Oztec, Toker TK, Rol-Air, APT, Wylie, Ingersoll Rand / Doosan, Innovatech, Con X, Ammann, Mecalac, Makinex, Smith Surface Prep, Small Line, Wanco, Yanmar

TABLE OF CONTENTS

LS300G Concrete Pump

Explanation Of Code In Remarks Column.....	4
Suggested Spare Parts	5

Component Drawings

Nameplate And Decals.....	6–9
Frame Assembly	10–11
Axle/Brake Line Assembly	12–13
Trailer Hitch Assembly	14–15
Battery Assembly.....	16–17
Hopper Assembly	18–19
Hopper Attachment Assembly	20–21
Hopper Interior Assembly	22–23
Shuttle Cylinder Assembly.....	24–25
Lubrication Pistons Assembly.....	26–29
Fuel Tank Assembly.....	30–31
Heat Exchanger Assembly	32–33
Piston Accumulator Assembly	34–35
Lubrication Panel Assembly	36–37
Engine Cover Assembly	38–39
Hydraulic Tank Assembly.....	40–41
Engine Mounting Assembly	42–43
Air Filter Assembly.....	44–45
Exhaust Assembly	46–47
Fuel System Assembly	48–49
Hydraulic Pump Assembly.....	50–51
Manifold Assembly.....	52–53
Control Box Assembly	54–55
Control Box Harness Assembly.....	56–57
Remote Control Cable Assembly	58–59
Fuses And Relays Assembly.....	60–61

NOTICE

Part numbers are subject to change without notice.

EXPLANATION OF CODE IN REMARKS COLUMN

The following section explains the different symbols and remarks used in the Parts section of this manual. Use the help numbers found on the back page of the manual if there are any questions.

NOTICE

The contents and part numbers listed in the parts section are subject to change **without notice**. Multiquip does not guarantee the availability of the parts listed.

SAMPLE PARTS LIST

NO.	PART NO.	PART NAME	QTY.	REMARKS
1	12345	BOLT	1	INCLUDES ITEMS W/%
2%		WASHER, 1/4 IN.		NOT SOLD SEPARATELY
2%	12347	WASHER, 3/8 IN. ...	1	MQ-45T ONLY
3	12348	HOSE	A/R	MAKE LOCALLY
4	12349	BEARING	1	S/N 2345B AND ABOVE

NO. Column

Unique Symbols — All items with same unique symbol (@, #, +, %, or >) in the number column belong to the same assembly or kit, which is indicated by a note in the “Remarks” column.

Duplicate Item Numbers — Duplicate numbers indicate multiple part numbers, which are in effect for the same general item, such as different size saw blade guards in use or a part that has been updated on newer versions of the same machine.

NOTICE

When ordering a part that has more than one item number listed, check the remarks column for help in determining the proper part to order.

PART NO. Column

Numbers Used — Part numbers can be indicated by a number, a blank entry, or TBD.

TBD (To Be Determined) is generally used to show a part that has not been assigned a formal part number at the time of publication.

A blank entry generally indicates that the item is not sold separately or is not sold by Multiquip. Other entries will be clarified in the “Remarks” Column.

QTY. Column

Numbers Used — Item quantity can be indicated by a number, a blank entry, or A/R.

A/R (As Required) is generally used for hoses or other parts that are sold in bulk and cut to length.

A blank entry generally indicates that the item is not sold separately. Other entries will be clarified in the “Remarks” Column.

REMARKS Column

Some of the most common notes found in the “Remarks” Column are listed below. Other additional notes needed to describe the item can also be shown.

Assembly/Kit — All items on the parts list with the same unique symbol will be included when this item is purchased.

Indicated by:

“INCLUDES ITEMS W/(unique symbol)”

Serial Number Break — Used to list an effective serial number range where a particular part is used.

Indicated by:

“S/N XXXXX AND BELOW”

“S/N XXXX AND ABOVE”

“S/N XXXX TO S/N XXX”

Specific Model Number Use — Indicates that the part is used only with the specific model number or model number variant listed. It can also be used to show a part is NOT used on a specific model or model number variant.

Indicated by:

“XXXXX ONLY”

“NOT USED ON XXXX”

“Make/Obtain Locally” — Indicates that the part can be purchased at any hardware shop or made out of available items. Examples include battery cables, shims, and certain washers and nuts.

“Not Sold Separately” — Indicates that an item cannot be purchased as a separate item and is either part of an assembly/kit that can be purchased, or is not available for sale through Multiquip.

SUGGESTED SPARE PARTS

MAYCO SERIES LS300G CONCRETE PUMP

1 TO 3 UNITS

Qty.	P/N	Description
3	201287	FILTER, FUEL
2	EM98206K	KEY, IGNITION SWITCH
1	23284-300	FUSE, 30 AMP
1	23284-030	FUSE, 3 AMP ATC/ATO
1	42446	CAP, FUEL
1	EM16493	RING HOLDER
1	EM806439	FELT HOLDER
4	EM98050Y	CUP PISTON-YELLOW
4	EM16493	RING, FELT
2	EM806440	RING, BRONZE
1	EM168161A	RING, ENERGIZER, RUBBER
1	EM168162	RING, STEEL, INSERT
2	EM98065	SEAL, GROOVED, RUBBER
1	EM98022	RING, WEAR H/F
4	EM14407	O-RING, OILER PLATE
1	EM98021A	WEAR PLATE
2	EM16174	O-RING, WEAR PLATE
1	EM16461	OILER PLATE
2	EM807145A	ELEMENT, PRIMARY
2	EM807145B	ELEMENT, SAFETY

ZENITH ZPP428 GASOLINE ENGINE

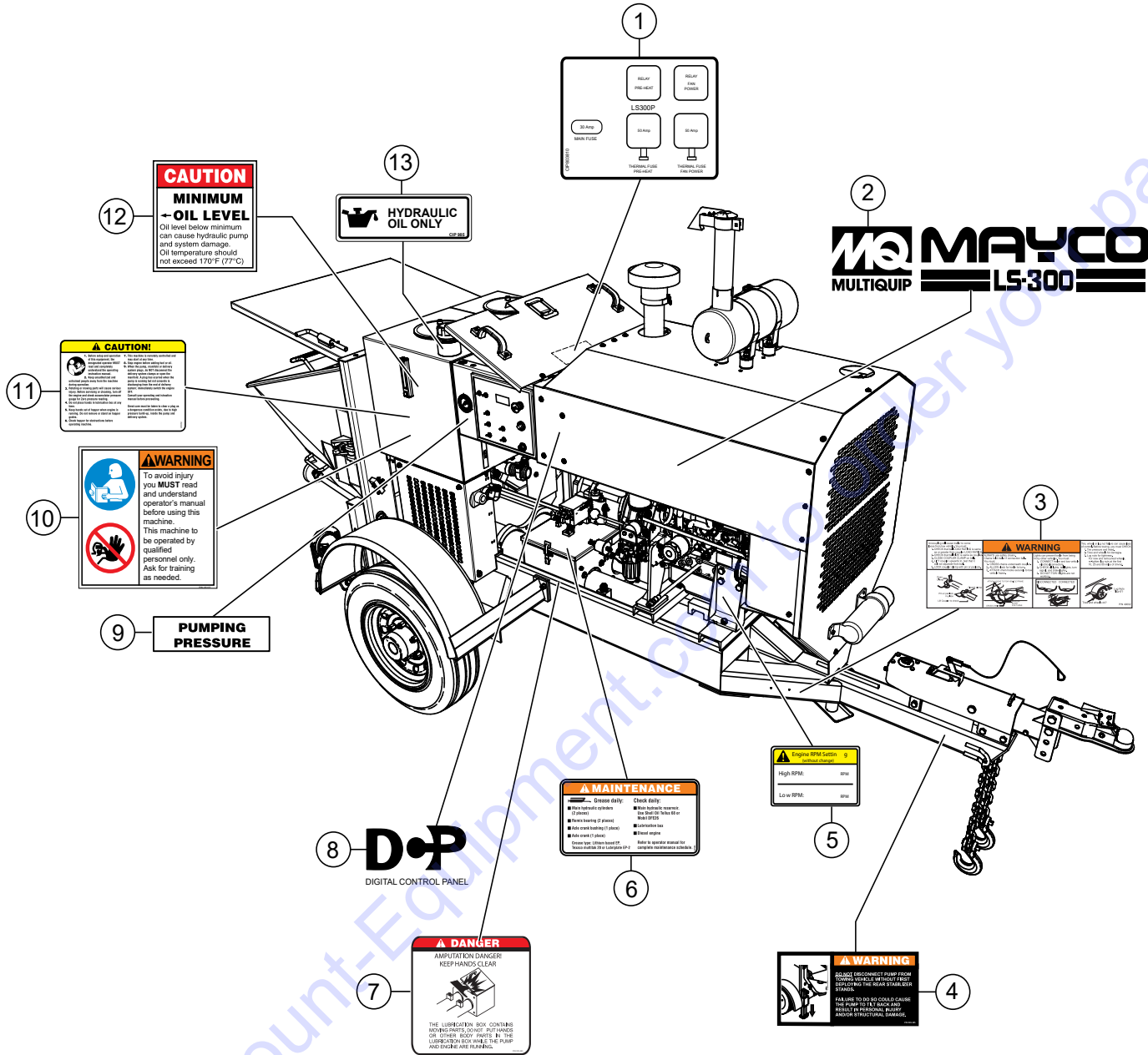
1 to 3 units

Qty.	P/N	Description
3	200449	OIL FILTER, ENGINE

NOTICE

Part numbers on this Suggested Spare Parts list may supersede/replace the part numbers shown in the following parts lists.

NAMEPLATE AND DECALS

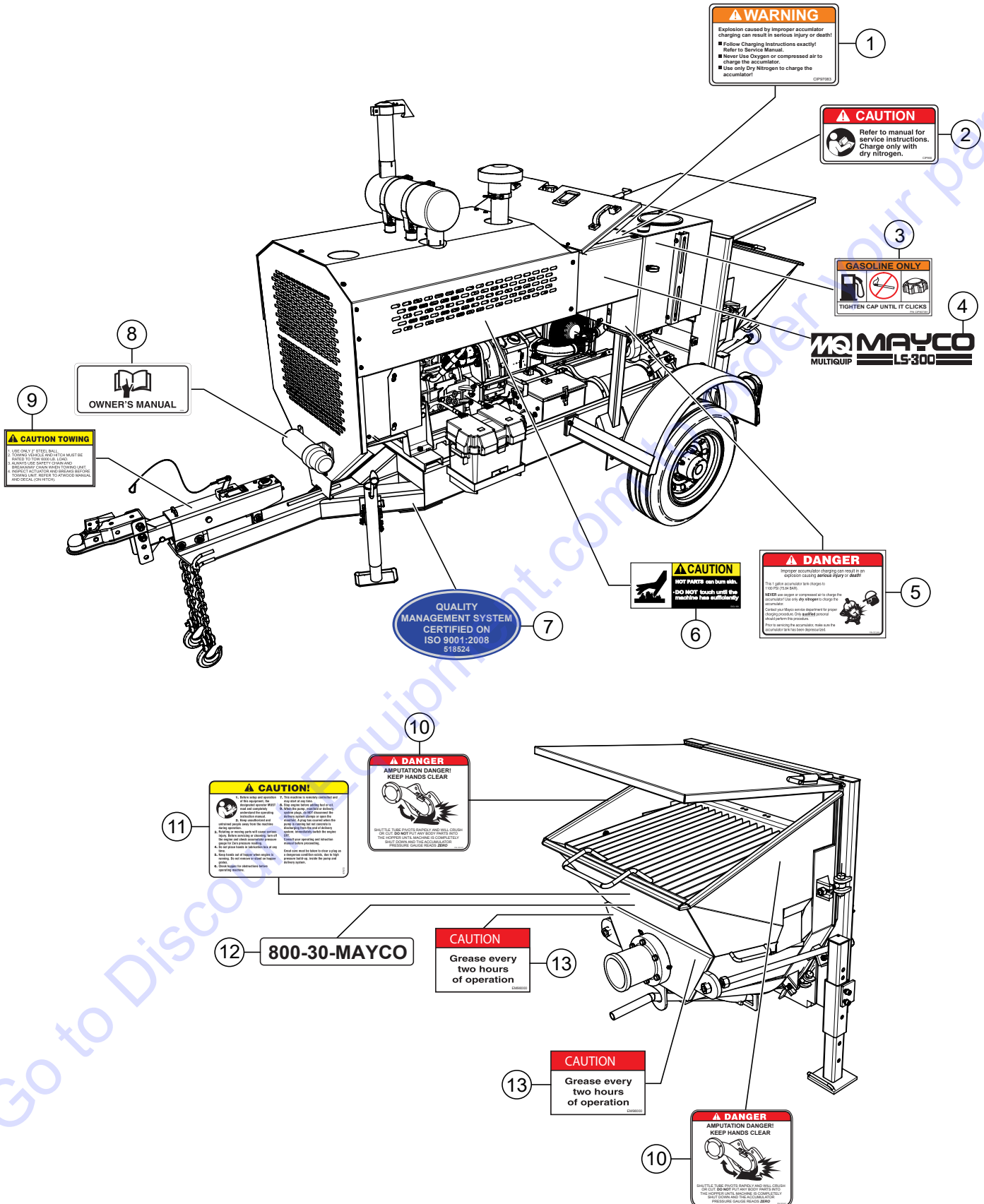


NAMEPLATE AND DECALS

<u>NO.</u>	<u>PART NO.</u>	<u>PART NAME</u>	<u>QTY.</u>	<u>REMARKS</u>
1	803810	DECAL, FUSE/RELAY OVERLAY	1	
2	807329	DECAL, MQ/MAYCO LS300 LOGO LARGE	1	
3	34627	DECAL, TOWING, WARNING	1	
4	DCL305	DECAL, WARNING REAR STABILIZERS	1	
5	513580	DECAL, ENGINE RPM SETTING	1	
6	EM97084	DECAL, MAINTENANCE	1	
7	DCL300	DECAL, LUBRICATION BOX	1	
8	517907	DIGITAL CONTROL PANEL LOGO	1	
9	EM97070	DECAL, PUMPING PRESSURE	1	
10	35137	DECAL, CAUTION READ MANUAL	1	
11	EM97072	DECAL, CAUTION OPERATIONS INSTRUCT.	1	
12	EM511901	DECAL, CAUTION MINIMUM OIL LEVEL	1	
13	EM985	DECAL, HYDRAULIC OIL	1	

Go to Discount-Equipment.com to order your parts

NAMEPLATE AND DECALS (CONT'D.)

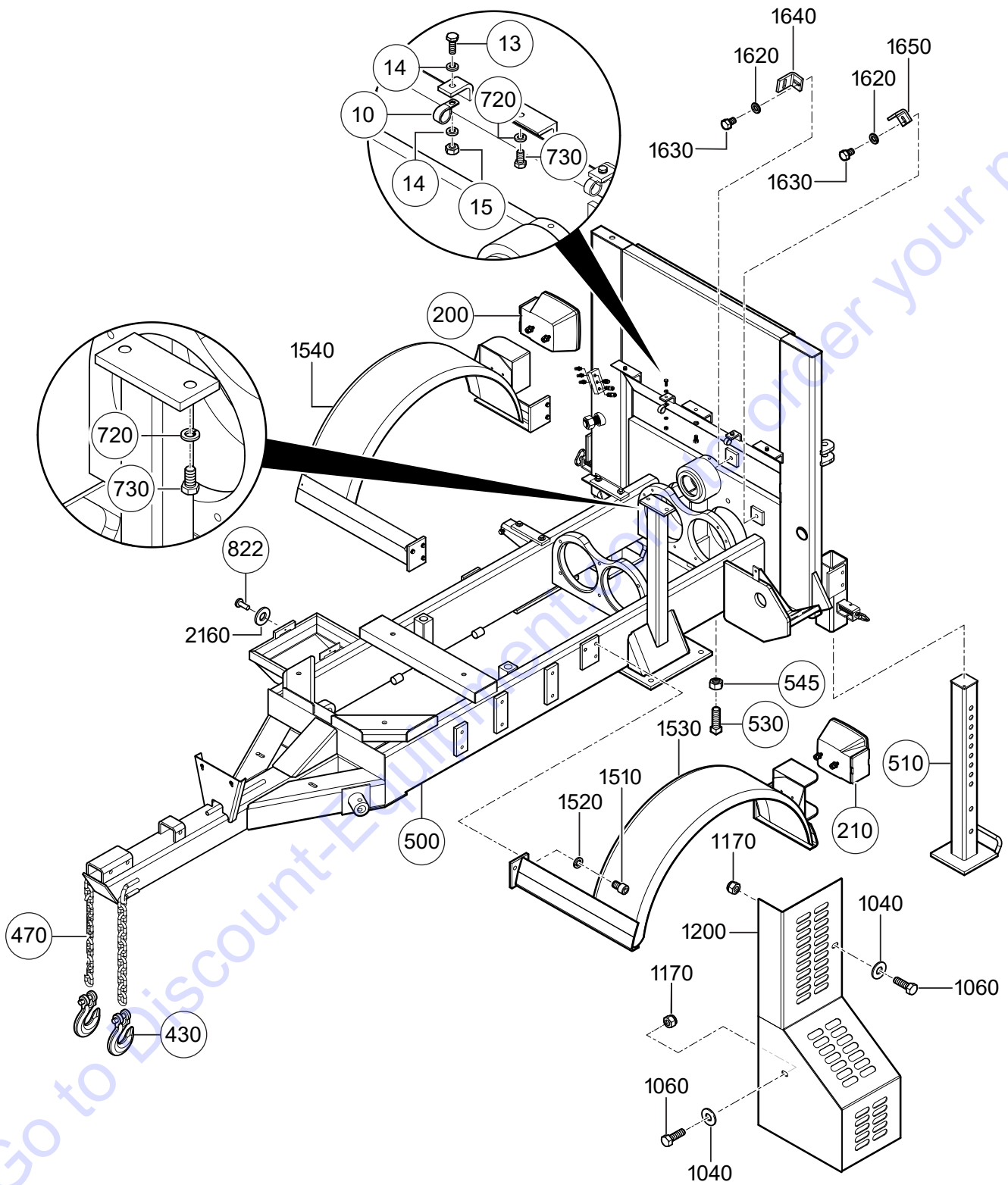


NAMEPLATE AND DECALS (CONT'D.)

<u>NO.</u>	<u>PART NO.</u>	<u>PART NAME</u>	<u>QTY.</u>	<u>REMARKS</u>
1	EM97083	DECAL; WARNING	1	
2	EM955	DECAL; CAUTION DRY NITROGEN	1	
3	807381	DECAL; GASOLINE	1	
4	807330	DECAL; MAYCO LOGO SMALL	1	
5	DCL304	DECAL; DANGER IMPROPER CHARGING	1	
6	DCL302	DECAL; WARNING BURN HAZARD	1	
7	518524	DECAL; ISO 9001:2008 EXPORT	1	
8	34536	DECAL; OWNER'S MANUAL	1	
9	EM969	DECAL; CAUTION TOWING	1	
10	DCL301	DECAL; DANGER SHUTTLE TUBE	2	
11	EM97072	DECAL; CAUTION OPERATIONS INSTRUCT.	1	
12	EM511709	DECAL; 800-30-MAYCO	1	
13	EM510386	DECAL; CAUTION-GREASE 2 HOURS	2	

Go to Discount-Equipment.com to order your parts

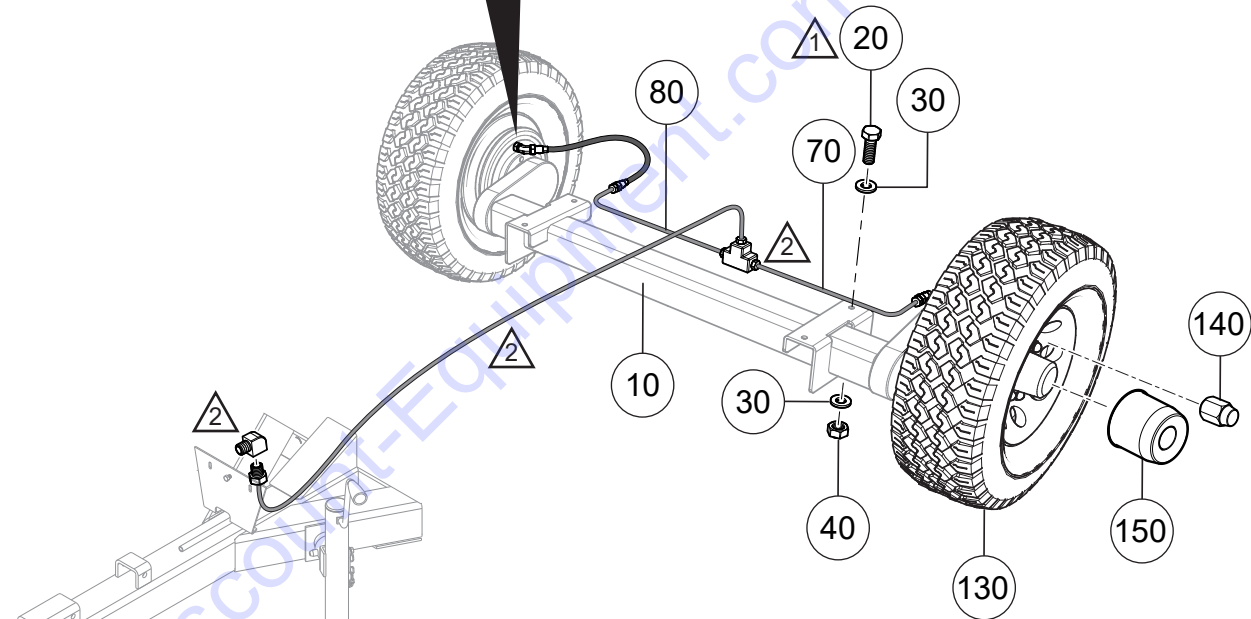
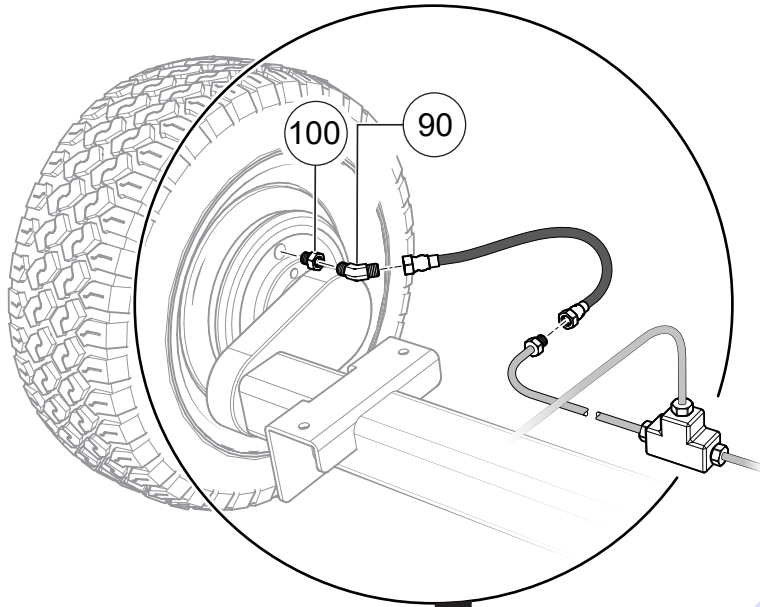
FRAME ASSY.



FRAME ASSY.

<u>NO.</u>	<u>PART NO.</u>	<u>PART NAME</u>	<u>QTY.</u>	<u>REMARKS</u>
10	801130	CLAMP HOSE	2	
13	492356	BOLT 1/4" X 3/4"	2	
14	2101402	WASHER LOCK 1/4" DIA.	4	
15	2101428	NUT HEX 1/4-20	2	
200	29243	SQUARE RED TAIL LIGHT, RIGHT	1	
210	29243	SQUARE RED TAIL LIGHT, LEFT	1	
430	522049	SAFETY HOOK W/LATCH 3/8"	2	
470	516784	CHAIN	2	
500	807144	FRAME, MAIN CHASSIS	1	
510	EM70186	JACK STAND, FRONT	2	
530	492491	SCREW SET	1	
545	6109160	NUT, HEX 1/2" DIA-NC	3	
720	0166 A	WASHER, LOCK 3/8" DIA.	5	
730	EM963055	BOLT, 3/8" DIA.	5	
822	491757	RIVET, ID PLATE	4	
1040	EM923023	WASHER, FLAT 5/16"	8	
1060	0202	SCREW, HHC 5/16 X 18 X 1	6	
1170	2105164	NUT, NYLON 5/16-18	6	
1200	516965	GUARD, CYLINDER	1	
1510	803692	CAP SCREW 1/2" NC X 3/4" G5	10	
1520	6109180	WASHER, LOCK 1/2" DIA.	10	
1530	EM807204	FENDER, LEFT	1	
1540	EM807203	FENDER, RIGHT	1	
1620	6109180	WASHER, LOCK 1/2" DIA.	2	
1630	504456	CAP SCREW 1/2" NC X 3/4" G5	2	
1640	517860	UPPER SENSOR SUPPORT	1	
1650	517861	LOWER SENSOR SUPPORT	1	
2160	492595	WASHER, FLAT 1/4"	2	

AXLE/BRAKE LINE ASSY.



NOTE:

△ 1 TORQUE TO 75 P.S.F.

△ 2 BRAKE LINE AND FITTING INCLUDED WITH BRAKE LINE KIT ITEM 80.

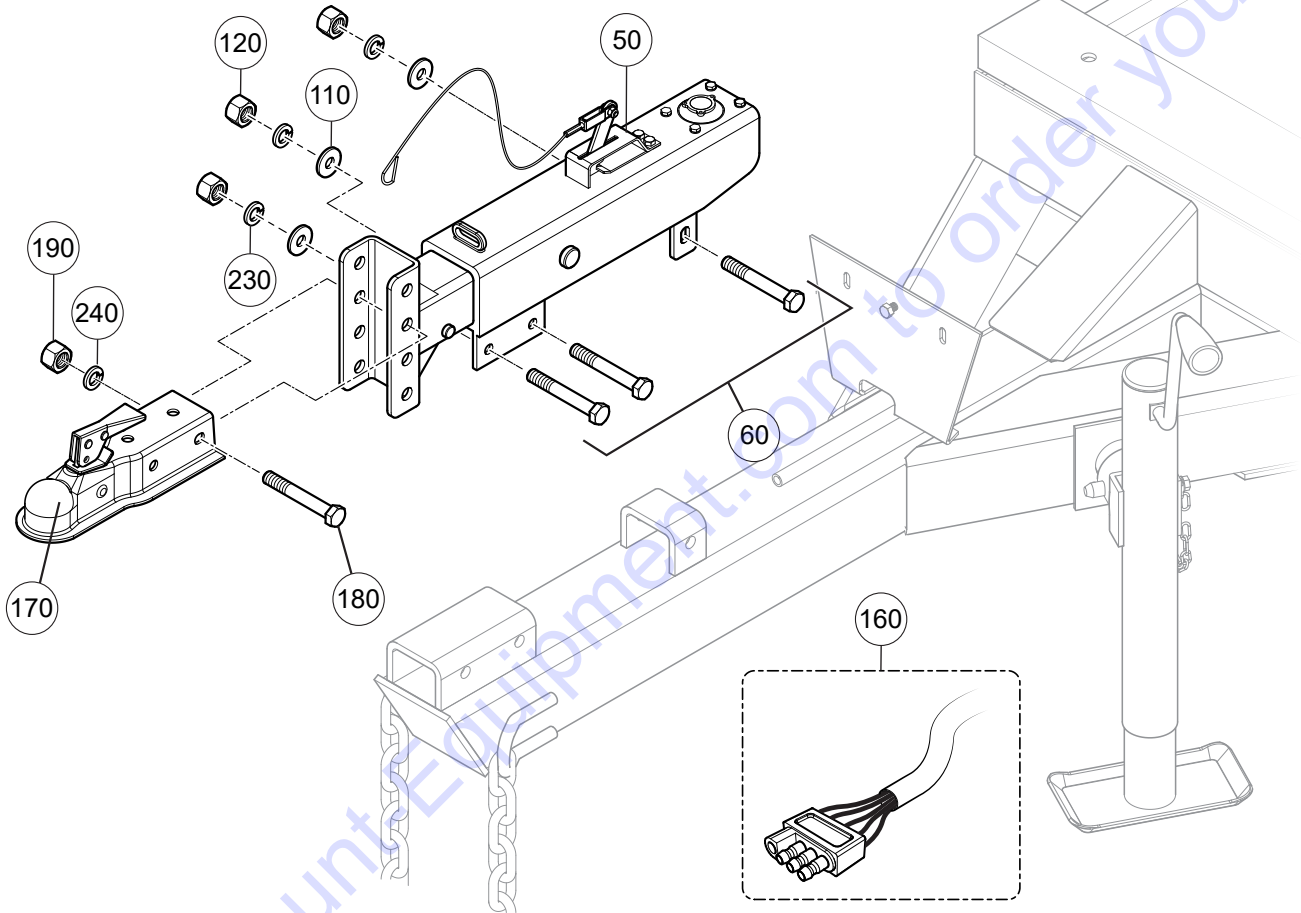
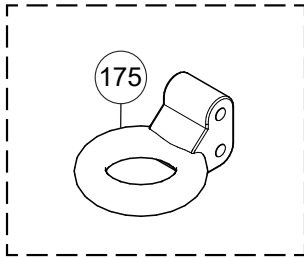
AXLE/BRAKE LINE ASSY.

<u>NO.</u>	<u>PART NO.</u>	<u>PART NAME</u>	<u>QTY.</u>	<u>REMARKS</u>
10	EM516931	AXLE ASSEMBLY	1	
20	TK31C1032J	BOLT, HHCS 1/2" NC X 2" G8	4	
30	EM621	WASHER, 1/2" SPECIAL	8	
40	TK83D10J	NUT, STOFFER CRIMP G8	4	
70	34565	KIT, HYDRAULIC BRAKE LINE	1	
80	34566	KIT, TORSION AXLE LINE	1	
90	EM512876	ADAPTER, ELBOW	2	
100	EM512877	ADAPTER, STRAIGHT	2	
130	516479	WHEEL, TIRE/RIM, 15"	2	
140	EM26519	NUT, CHROME LUG 1/2"	12	
150	EM26520	CAP, 15" CHROME	2	

Go to Discount-Equipment.com to order your parts

TRAILER HITCH ASSY.

OPTIONAL TOW RING

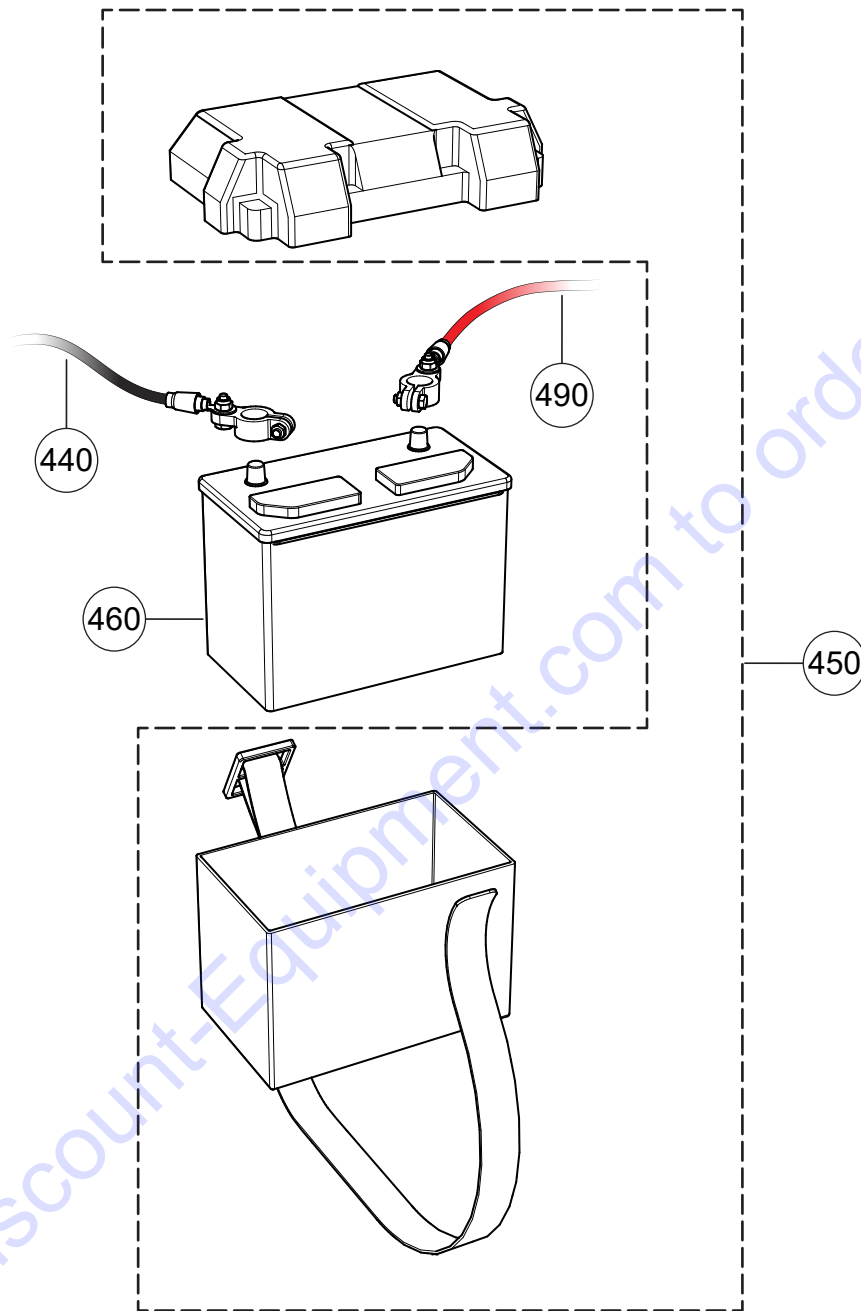


TRAILER HITCH ASSY.

<u>NO.</u>	<u>PART NO.</u>	<u>PART NAME</u>	<u>QTY.</u>	<u>REMARKS</u>
50	19067	ACTUATOR, BRAKE	1	
60	518257	BOLT, 1/2" NC X 4-1/2" G8	3	
110	6109170	WASHER, FLAT 1/2"	3	
120	6109160	NUT, HEX 1/2" DIA-NC	3	
160	EM515419	HARNESS ASSEMBLY, LIGHTS	1	
170	29228	COUPLER, 2" BALL	1	
175	29369	COUPLER, 3" PINTLE EYE, 14,000 LBS.....	1.....	OPTIONAL
180	518256	CAP SCREW 5/8" NC X 4-1/2" G8	2	
190	EM968013	NUT, 5/8"	2	
230	6109180	WASHER, LOCK 1/2"	3	
240	EM923348	WASHER, LOCK 5/8"	2	

Go to Discount-Equipment.com to order your parts

BATTERY ASSY.

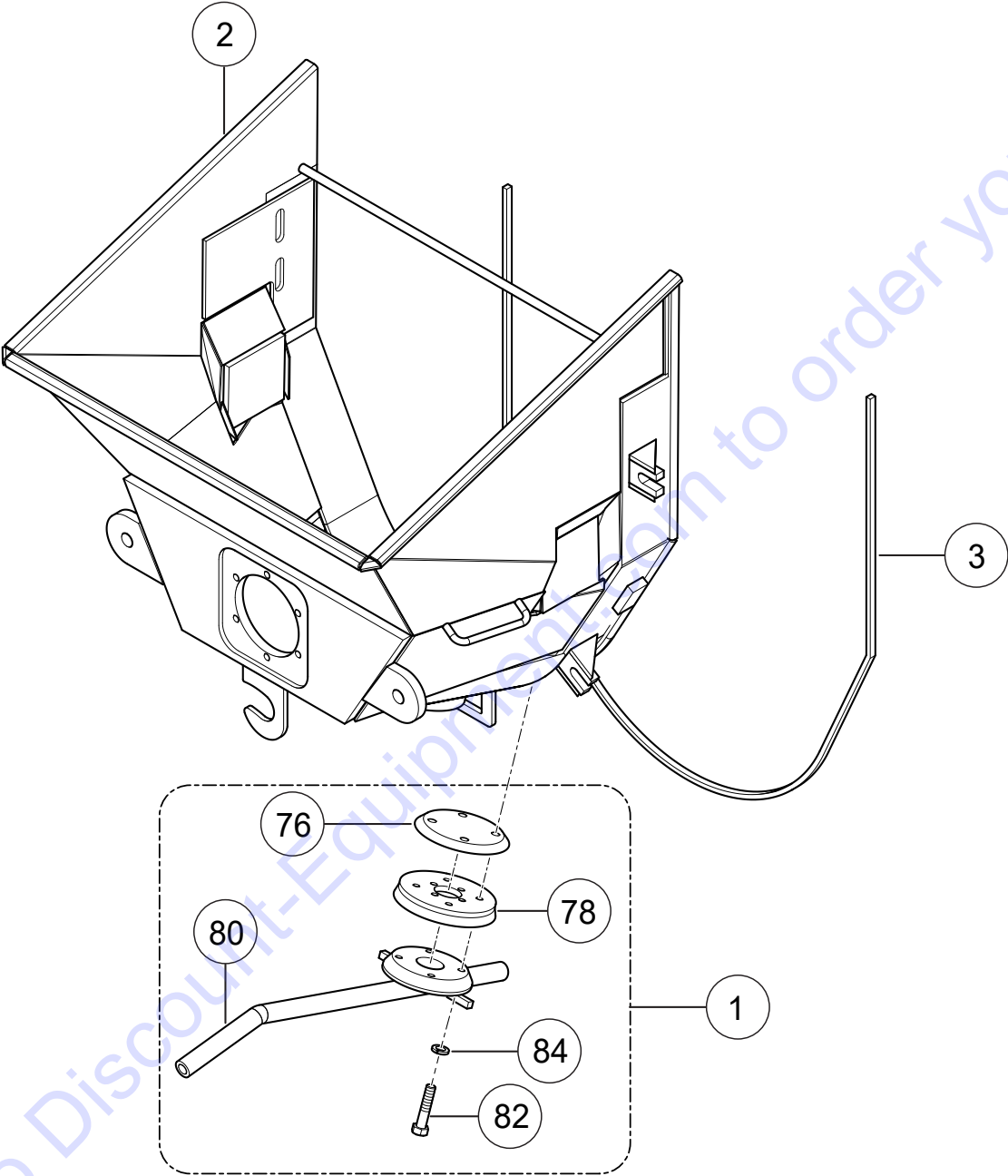


BATTERY ASSY.

<u>NO.</u>	<u>PART NO.</u>	<u>PART NAME</u>	<u>QTY.</u>	<u>REMARKS</u>
440	515118	BATTERY CABLE, NEGATIVE	1.....	1.68 FT/512 MM
450	804690	BATTERY BOX W/ STRAP	1	
460	520520	BATTERY, 12V	1.....	OBTAIN LOCALLY
490	804039	BATTERY CABLE, POSITIVE.....	1.....	2.36 FT/720 MM

Go to Discount-Equipment.com to order your parts

HOPPER ASSY.

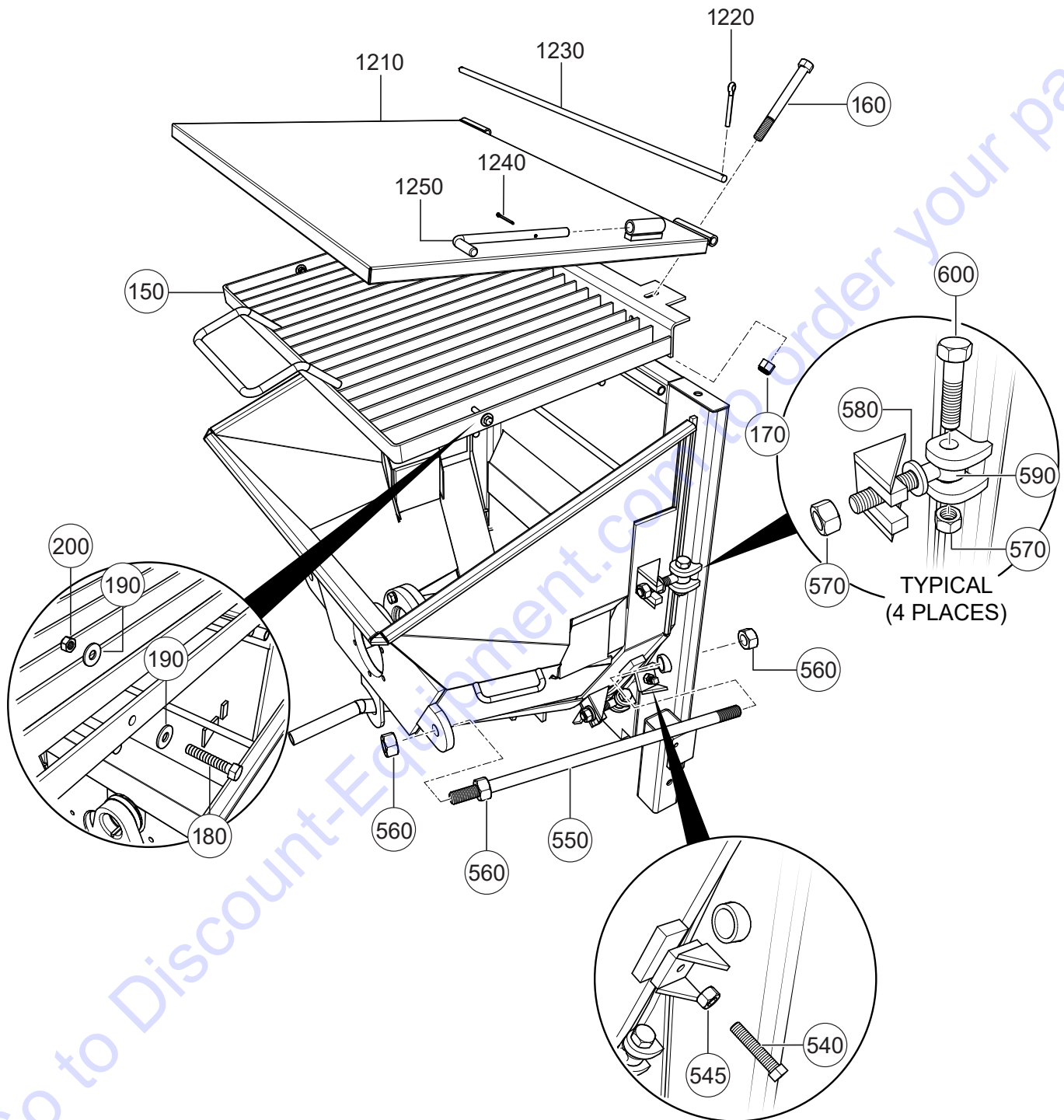


HOPPER ASSY.

<u>NO.</u>	<u>PART NO.</u>	<u>PART NAME</u>	<u>QTY.</u>	<u>REMARKS</u>
1	EM70860	HOPPER CLEANOUT PLUG ASSEMBLY	1	INCLUDES ITEMS W/\$
2	EM517753	HOPPER ASSEMBLY	1	
3	EM16184	SEAL, HOPPER 3/8" X 1/2"	1	
76\$	EM708601	PISTON, CUP HOLDER	1	
78\$	EM50417	CUP, SPECIAL	1	
80\$	EM508830	HANDLE	1	
82\$	492378	BOLT, HHCS 3/8" X 1-3/4" G-5	4	
84\$	0166 A	WASHER, LOCK 3/8"	4	

Go to Discount-Equipment.com to order your parts

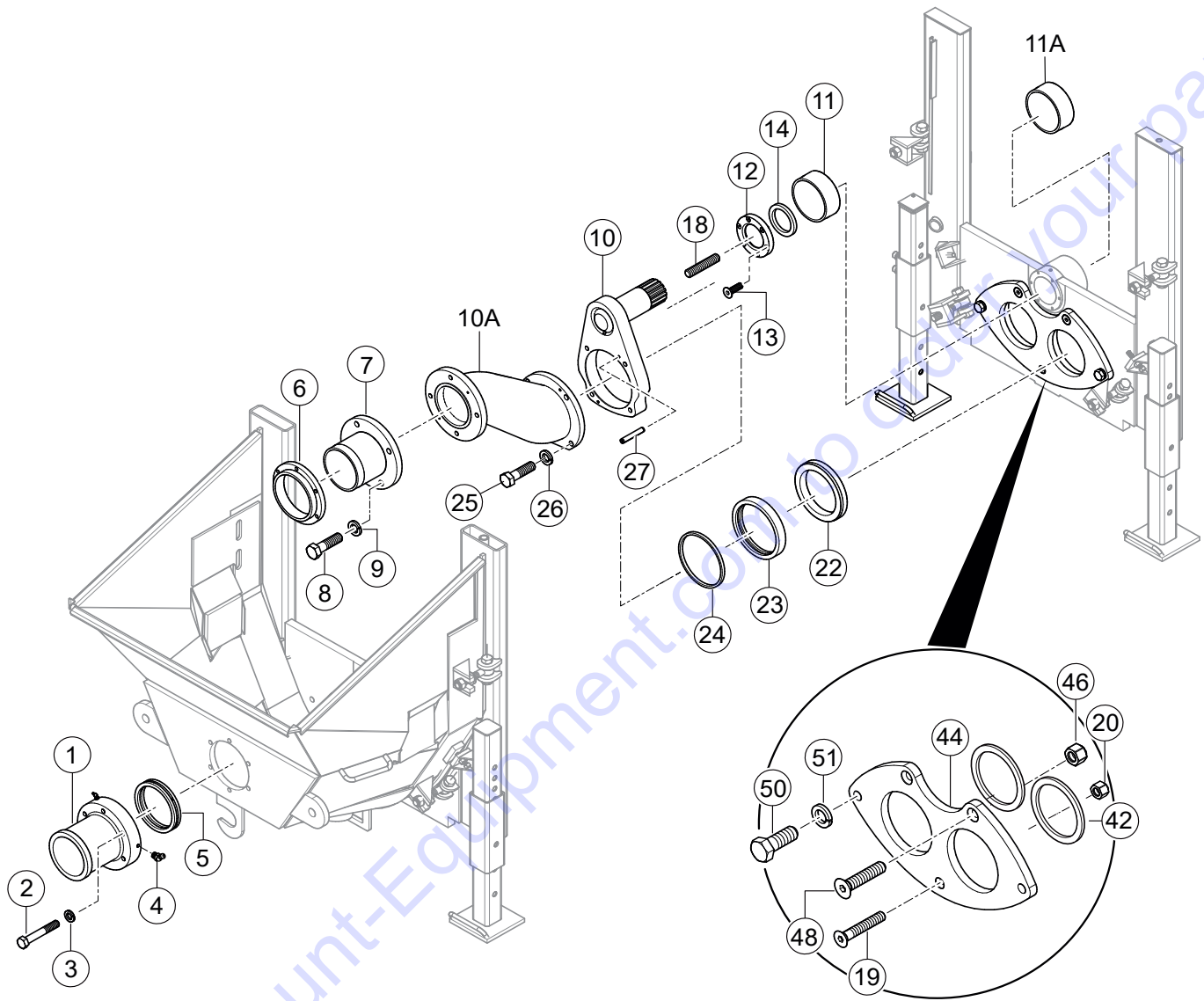
HOPPER ATTACHMENT ASSY.



HOPPER ATTACHMENT ASSY.

<u>NO.</u>	<u>PART NO.</u>	<u>PART NAME</u>	<u>QTY.</u>	<u>REMARKS</u>
150	EM514357	GRATE, HOPPER	1	
160	515395	BOLT, 7/16"NC X 4" G5	2	
170	505081	NUT, HEX 7/16"	2	
180	492379	SCREW, CAP 3/8"	2	
190	3019092	WASHER, FLAT 3/8"	4	
200	EM969013	NUT, 3/8"NC NYLOK G8	2	
540	505123	BOLT, HEX 1/2" X 2-1/2"	2	
545	6109160	NUT, HEX 1/2" DIA-NC	3	
550	EM16166	TIE ROD	2	
560	EM424	NUT, HEX 1" NC	6	
570	EM968446	NUT, HEX 3/4"	8	
580	EM619	WASHER, 3/4"	4	
590	EM14165	BOLT EYE	4	
600	505121	BOLT, 3/4" X 3"	4	
1210	EM514204	COVER, SPLASH	1	
1220	EM491686	PIN, COTTER	4	
1230	EM514620	PIN, HINGE	1	
1240	EM505723	PIN, COTTER 5/32" X 1-1/2"	1	
1250	EM70134-2	PIN, SPLASH PLATE	1	

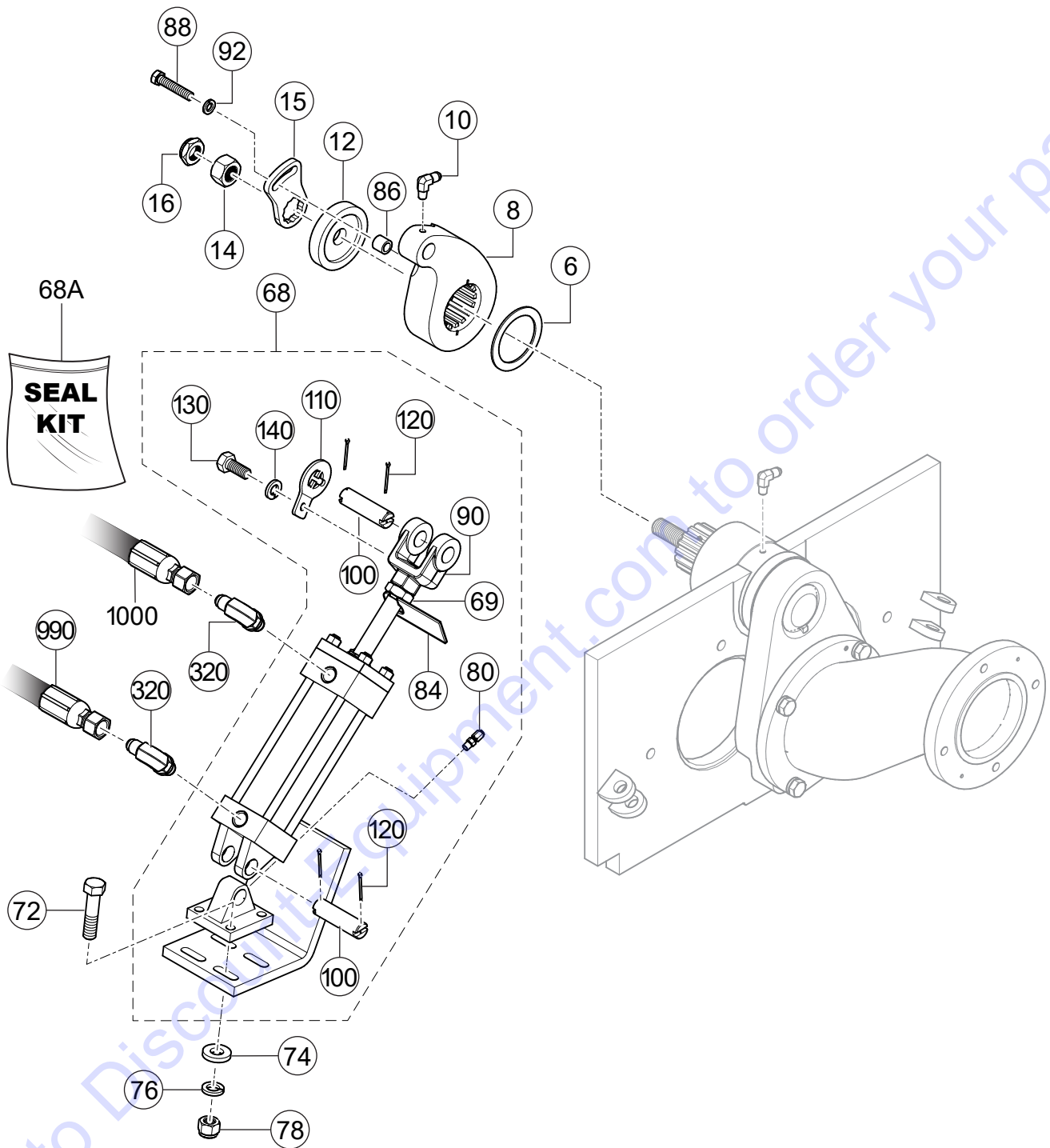
HOPPER INTERIOR ASSY.



HOPPER INTERIOR ASSY.

<u>NO.</u>	<u>PART NO.</u>	<u>PART NAME</u>	<u>QTY.</u>	<u>REMARKS</u>
1	EM512212	NIPPLE, DISCHARGE	1	
2	EM210	BOLT HEX HEAD	6	
3	6109180	WASHER, LOCK 1/2"	6	
4	EM491701	GREASE FITTING, ZERK	3	
5	EM98065	SEAL, GROOVED	1	
6	EM25803	BEARING, DISCHARGE PLATE	1	
7	EM16804	SLEEVE, 5" ASSY.	1	
8	EM104	BOLT, 5/8"-11 X 2"	4	
9	EM923348	WASHER, LOCK 5/8"	4	
10	EM25843	NUN PLATE	1	
10A	EM16811	SHUTTLE TUBE	1	
11	EM800609	BUSHING, BRONZE	1	
11A	EM16145A	BUSHING, BRONZE	1	
12	EM801994	RETAINER, NUN PLATE	1	
13	506176	BOLT, 5/16"-18 X 1"	6	
14	EM800426	RUBBER SEAL, NUN PLATE	1	
18	EM284	STUD, 1"-14 X 5" GR8	1	
19	EM264	BOLT, 1/2"-13 X 3" COUNTERSUNK	1	
20	492584	NUT, 1/2"-13 NYLOCK	1	
22	EM98022	RING WEAR, H/F	1	
23	EM168161A	RING, ENERGIZER, RUBBER	1	
24	EM168162	RING, STEEL INSERT	1	
25	EM104	BOLT, HEX HD 5/8" X 2	4	
26	EM923348	WASHER, LOCK 5/8"	4	
27	419719	PIN	1	
42	EM16174	O-RING, A440	2	
44	EM98021A	WEAR PLATE, HARDFACED	1	
46	EM969023	NUT, LOCK 5/8"	2	
48	EM265	BOLT, FLAT HEAD 5/8"-11 X 3"	2	
50	EM151	BOLT, HHCS 3/4"-10 X 2" G5	2	
51	492628	WASHER, LOCK 3/4"	2	

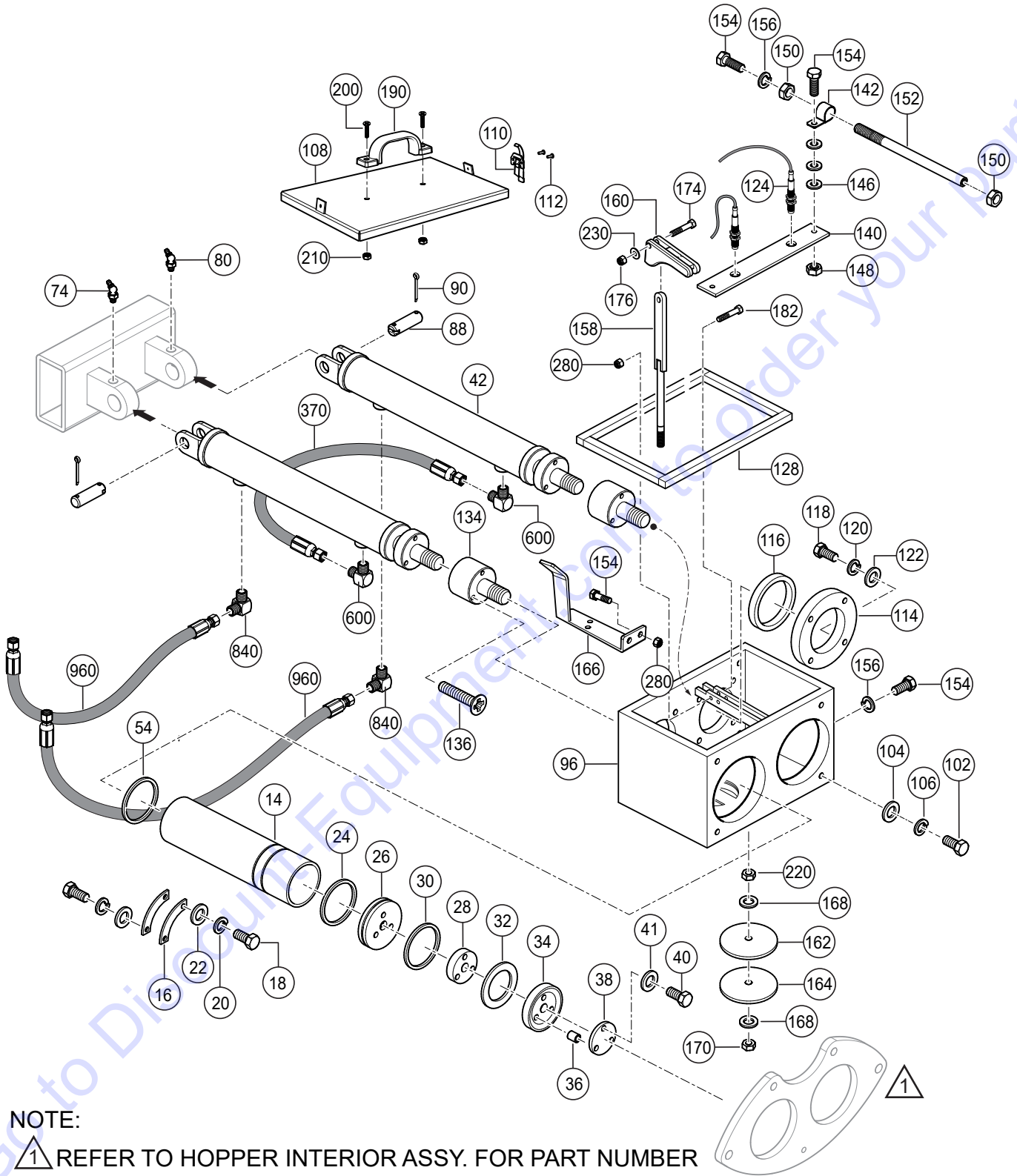
SHUTTLE CYLINDER ASSY.



SHUTTLE CYLINDER ASSY.

<u>NO.</u>	<u>PART NO.</u>	<u>PART NAME</u>	<u>QTY.</u>	<u>REMARKS</u>
6	EM16169	THRUST WASHER	1	
8	EM510514	SHUTTLE CRANK	1	
10	EM50449	FITTING, ELBOW	1	
12	EM16814	SHUTTLE, TENSIONER	1	
14	EM509221	NUT, 1"-14 UNF GR5	1	
15	EM518555	CRANK ARM NUT LOCK	1	
16	EM417	NUT, FLEX LOCK	1	
68	EM98205	CYLINDER SHUTTLE ASSEMBLY	1.....	INCLUDES ITEMS W/\$
68A	EM98106SK	SEAL KIT, SHUTTLE CYLINDER	1	
69\$	515249	NUT, JAM 1"-14	1	
72	492397	SCREW, HEX 1/2" NC X 2-1/2" G5	4	
74	EM621	WASHER, FLAT 1/2"	4	
76	6109180	WASHER, LOCK 1/2"	4	
78	492584	NUT, LOCK 1/2"	4	
80\$	EM510684	GREASE FITTING	1	
84\$	518044	PLATE, SENSOR	1	
86	EM518556	BUSHING, CRANK ARM	1	
88	EM963692	BOLT, 1/2" UNC X 1-1/2"	1	
90\$	521141	CLEVIS, FEMALE	1	
92	492266	WASHER, LOCK 1/2"	1	
100\$	521139	WRIST PIN	1	
110\$	802009	LOCK	1	
120\$	EM924008	PIN, COTTER 1/8" X 1-1/2"	2	
130\$	492363	BOLT, 5/16" DIA NC X 3/4" G-5	1	
140\$	EM923343	WASHER, LOCK 5/16"	1	
320	3322	FITTING, 90°	2	
990	803698	HOSE, 302-12 LG. 625 MM (2.05 FT.) C/C	1.....	1 PC = 1 FT
1000	803699	HOSE, 302-12 LG. 465 MM (1.52 FT.) C/C	1.....	1 PC = 1 FT.

LUBRICATION PISTONS ASSY.



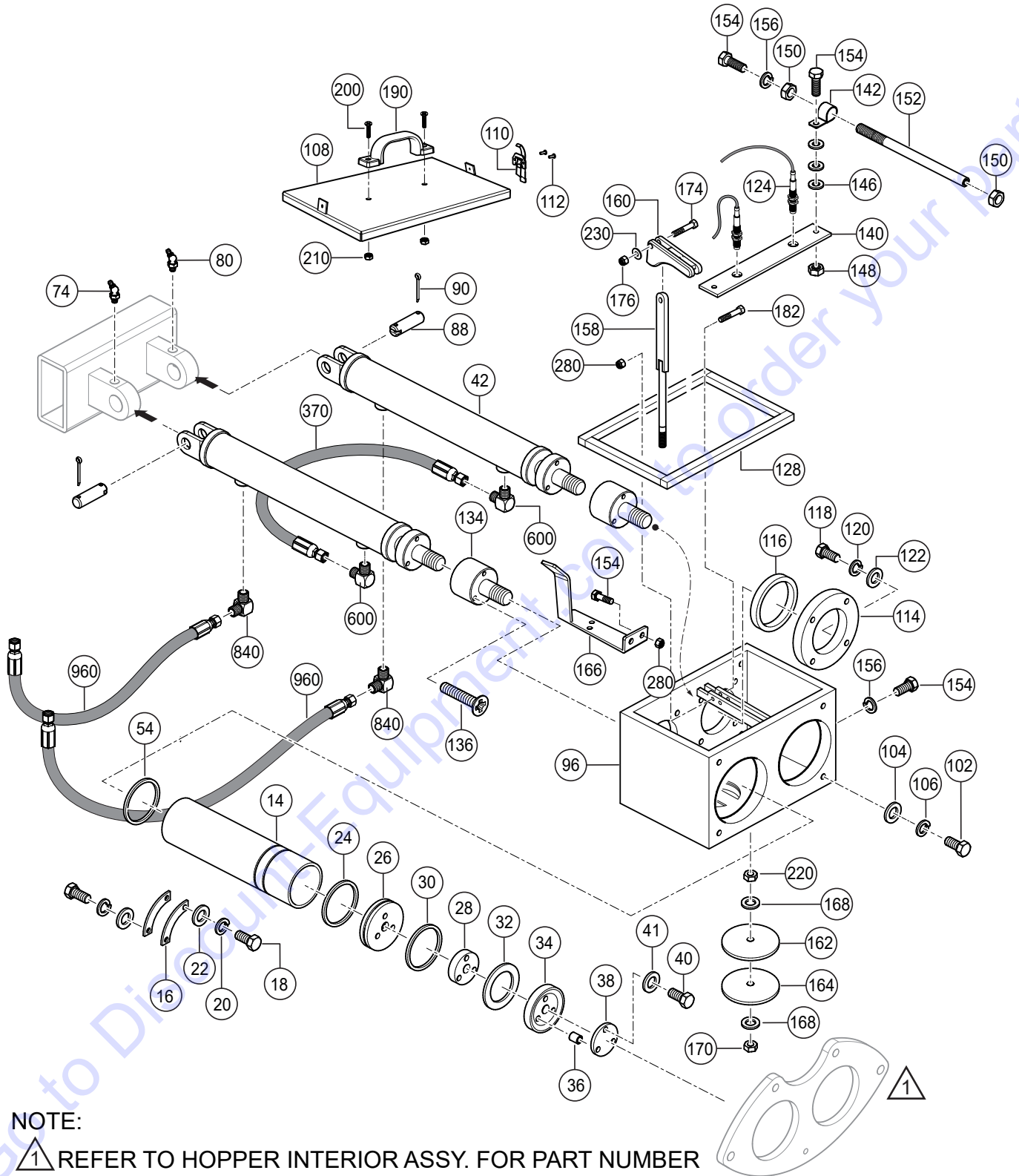
NOTE:

△ REFER TO HOPPER INTERIOR ASSY. FOR PART NUMBER

LUBRICATION PISTONS ASSY.

<u>NO.</u>	<u>PART NO.</u>	<u>PART NAME</u>	<u>QTY.</u>	<u>REMARKS</u>
14	EM80801	CONCRETE CYLINDER	2	
16	EM25110	RETAINER, CYLINDER	8	
18	EM963610	CAP SCREW 3/8" NC X 1" GRD. 5	16	
20	0166 A	WASHER, LOCK 3/8"	16	
22	3019092	WASHER, FLAT 3/8"	16	
24	EM14407	O-RING, OILER PLATE	2	
26	EM16461	OILER PLATE	2	
28	EM806439	HOLDER, FELT	2	
30	EM16493	RING, FELT	2	
32	EM806440	RING, BRONZE	2	
34	EM98050Y	CUP, PISTON-YELLOW	2	
36	EM16465	SPACER, PISTON CUP	6	
38	EM806441TT	PLATE, FACE	2	
40	510265	BOLT, HEX HD 3/8" NC X 3-1/2" GRD. 8	6	
41	804602	LOCK WASHER, 3/8" GRD. 8	6	
42	EM80423A	MAIN HYDRAULIC CYLINDER	2	
53	2105164	NUT, NYLOC 5/16"-18	1	
54	EM16174	O-RING	2	
74	491701	FITTING, ZERK	1	
80	491701	FITTING, ZERK	1	
88	EM16459	PIN, CLEVIS 1-1/8"	2	
90	EM505723	PIN, COTTER 5/32" X 1-1/2"	4	
96	806336	LUBRICATION BOX	1	
102	492378	BOLT, 3/8" NC X 1-3/4" G-5, HHCS	6	
104	3019092	WASHER, FLAT 3/8"	6	
106	0166 A	WASHER, LOCK 3/8"	6	
108	802997	COVER, LUBRICATION BOX	1	
110	EM514610	LATCH, COVER	2	
112	EM491754	RIVET, POP	4	
114	EM50425	FLANGE, SEAL	2	
116	EM274351	SEAL, LUBE BOX	2	
118	EM492451	BOLT, 3/8"-24 X 1" HX HD	8	
120	3019092	WASHER, FLAT 3/8"	8	
122	EM50443	SEAL, STATOR	8	
124	EM98163	PROXIMITY SENSOR	4	
128	EM800033	SEAL, SQUARE	1	

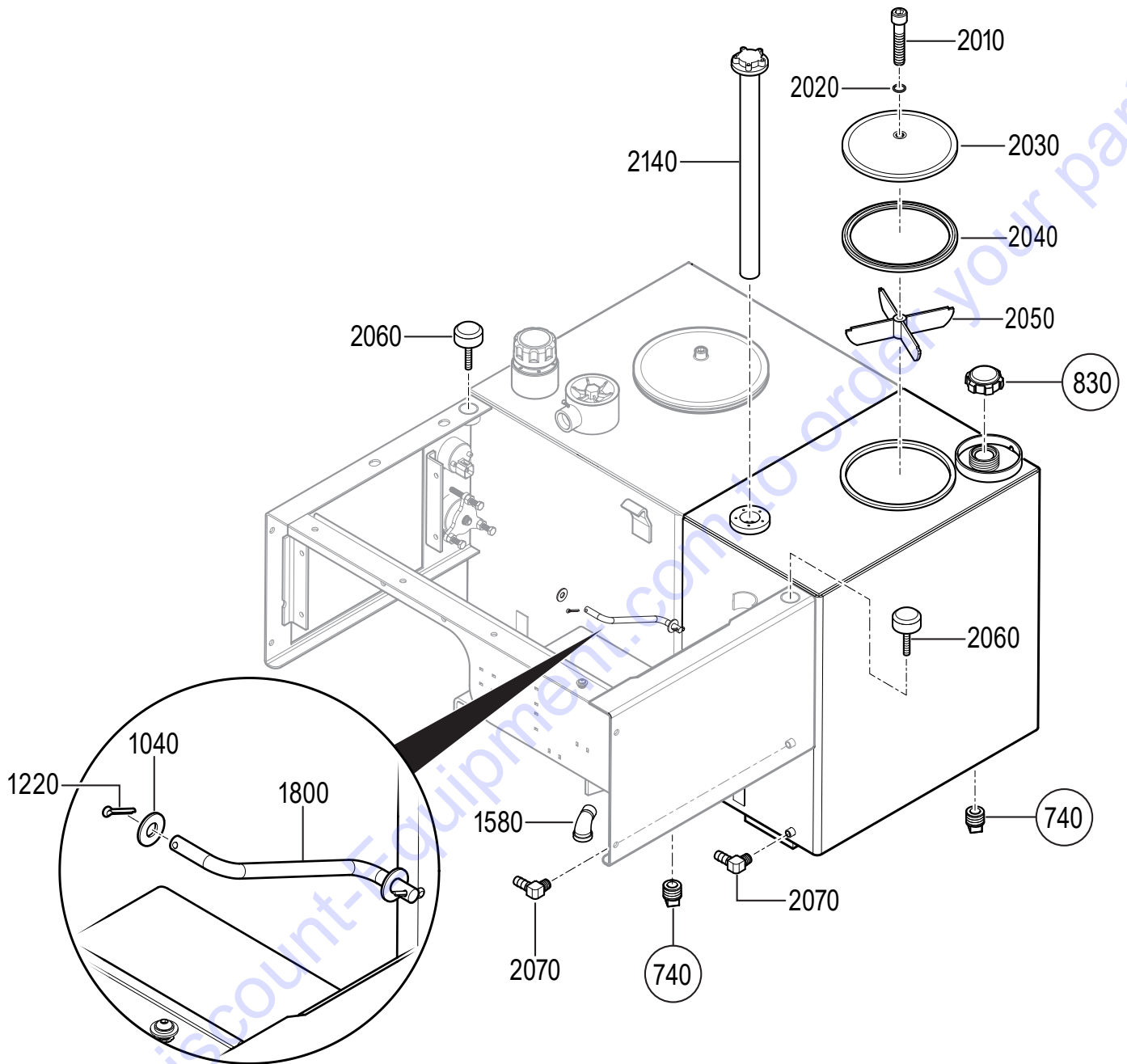
LUBRICATION PISTONS ASSY. (CONT'D.)



LUBRICATION PISTONS ASSY. (CONT'D.)

<u>NO.</u>	<u>PART NO.</u>	<u>PART NAME</u>	<u>QTY.</u>	<u>REMARKS</u>
134	EM806438	ADAPTER, PISTON	2	
136	EM185	BOLT, SOCKET HEAD 3/8"-16 X 3"	6	
140	EM514208	BAR, PROXIMITY SENSOR SUPPORT	1	
142	EM514207	BRACKET	2	
146	EM923023	WASHER, FLAT 5/16"	6	
148	2105164	NUT, NYLON 5/16"-18	6	
150	6109160	NUT, HEX 1/2"	4	
152	EM514216	ROD	2	
154	0202	SCREW HHC 5/16"-18 X 1	6	
156	EM923343	WASHER, LOCK 5/16"	4	
158	802677	PLUNGER, ROD	1	
160	802678	LEVER, RELEASE	1	
162	EM802682	RUBBER SEAL	1	
164	802681	SEAL, PLATE	1	
166	802850	BRACKET, PROXIMITY SENSOR HARNESS	1	
168	EM492599	WASHER, FLAT 1/2"	2	
170	492584	NUT, LOCK 1/2" DIA. NC	1	
174	492379	SCREW, CAP 3/8"	1	
176	EM969013	NUT, 3/8" NC NYLON G8	1	
182	2105162	BOLT, 5/16"NC X 1-3/4" GRD 5	2	
190	802751	HANDLE, COVER	1	
200	513312	BOLT, 1/4" X 1"	2	
210	492581	NUT, 1/4"-20 NYLON LOCKNUT	2	
220	802955	NUT	1	
230	EM923023	WASHER, FLAT 5/16"	1	
280	2105164	NUT, NYLOC 5/16"-18	1	
370	EM514607	HOSE, HYDRAULIC	1	
600	EM25497	FITTING	4	
840	516411	ADAPTER	2	
960	803695	HOSE, 302-12 LG. 445 MM (1.45 FT.) C/C2.....1 PC. = 1 FT.		

FUEL TANK ASSY.



PARTS FINDER

**Search Website
by Part Number**



**Search Manual
Library For Parts
Manual & Lookup Part
Numbers – Purchase
or Request Quote**

Search Manuals

Enter your information to help us find the right parts manual for your equipment.

* Brand:

* Model:

* Serial:

* Part Number:

SEARCH

**Can't Find Part or
Manual? Request Help
by Manufacturer,
Model & Description**

Parts Order Form

Please fill in the following information to help us find the right part for your equipment.

MANUFACTURER:

MODEL:

DESCRIPTION:

DATE:

TIME:

PHONE:

EMAIL:

ADDRESS:

CITY:

STATE:

ZIP:

COUNTRY:

SEARCH

Discount-Equipment.com is your online resource for quality parts & equipment.

Florida: **561-964-4949** Outside Florida TOLL FREE: **877-690-3101**

Need parts?

Click on this link: <http://www.discount-equipment.com/category/5443-parts/> and choose one of the options to help get the right parts and equipment you are looking for. Please have the machine model and serial number available in order to help us get you the correct parts. If you don't find the part on the website or on one of the online manuals, please fill out the request form and one of our experienced staff members will get back to you with a quote for the right part that your machine needs.

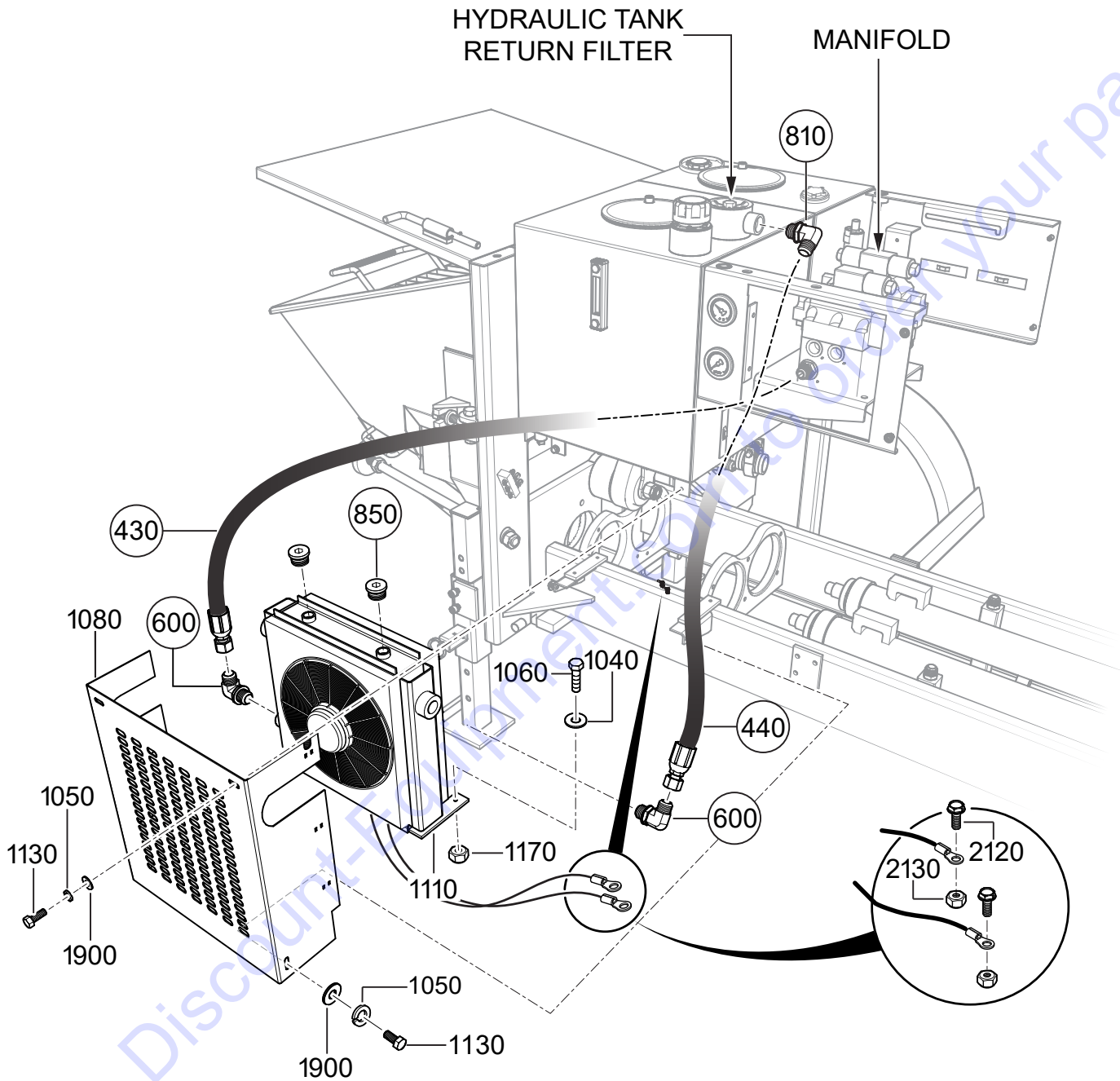
We sell worldwide for the brands: Genie, Terex, JLG, MultiQuip, Mikasa, Essick, Whiteman, Mayco, Toro Stone, Diamond Products, Generac Magnum, Airman, Haulotte, Barreto, Power Blanket, Nifty Lift, Atlas Copco, Chicago Pneumatic, Allmand, Miller Curber, Skyjack, Lull, Skytrak, Tsurumi, Husquvarna Target, Stow, Wacker, Sakai, Mi-T-M, Sullair, Basic, Dynapac, MBW, Weber, Bartell, Bennar Newman, Haulotte, Ditch Runner, Menegotti, Morrison, Contec, Buddy, Crown, Edco, Wyco, Bomag, Laymor, EZ Trench, Bil-Jax, F.S. Curtis, Gehl Pavers, Heli, Honda, ICS/PowerGrit, IHI, Partner, Imer, Clipper, MMD, Koshin, Rice, CH&E, General Equipment, Amida, Coleman, NAC, Gradall, Square Shooter, Kent, Stanley, Tamco, Toku, Hatz, Kohler, Robin, Wisconsin, Northrock, Oztec, Toker TK, Rol-Air, APT, Wylie, Ingersoll Rand / Doosan, Innovatech, Con X, Ammann, Mecalac, Makinex, Smith Surface Prep, Small Line, Wanco, Yanmar

FUEL TANK ASSY.

<u>NO.</u>	<u>PART NO.</u>	<u>PART NAME</u>	<u>QTY.</u>	<u>REMARKS</u>
740	506094	PLUG, 1/2" NPT	2	
830	42446	CAP, FUEL TANK	1	
1040	EM923023	WASHER, FLAT 5/16"	8	
1220	EM491686	PIN, COTTER	4	
1580	EM491164	NIPPLE, ELBOW 90° 3/4" NPT	2	
1800	802875	SUPPORT, TOP COVER	1	
2010	505990	BOLT, 1/2" X 2-1/2"	2	
2020	520343	O-RING	6	
2030	EM800299	COVER, HYDRAULIC TANK	2	
2040	EM801789	GASKET, TANK SEAL, 220 MM	2	
2050	EM800301	SUPPORT, TANK COVER	2	
2060	513955	STOP SCREW 1/4" NC	2	
2070	EM514559	ADAPTER, ELBOW 90° MALE	2	
2140	806435	SENDER, FUEL LEVEL, 19"	1	

Go to Discount-Equipment.com to order your parts

HEAT EXCHANGER ASSY.



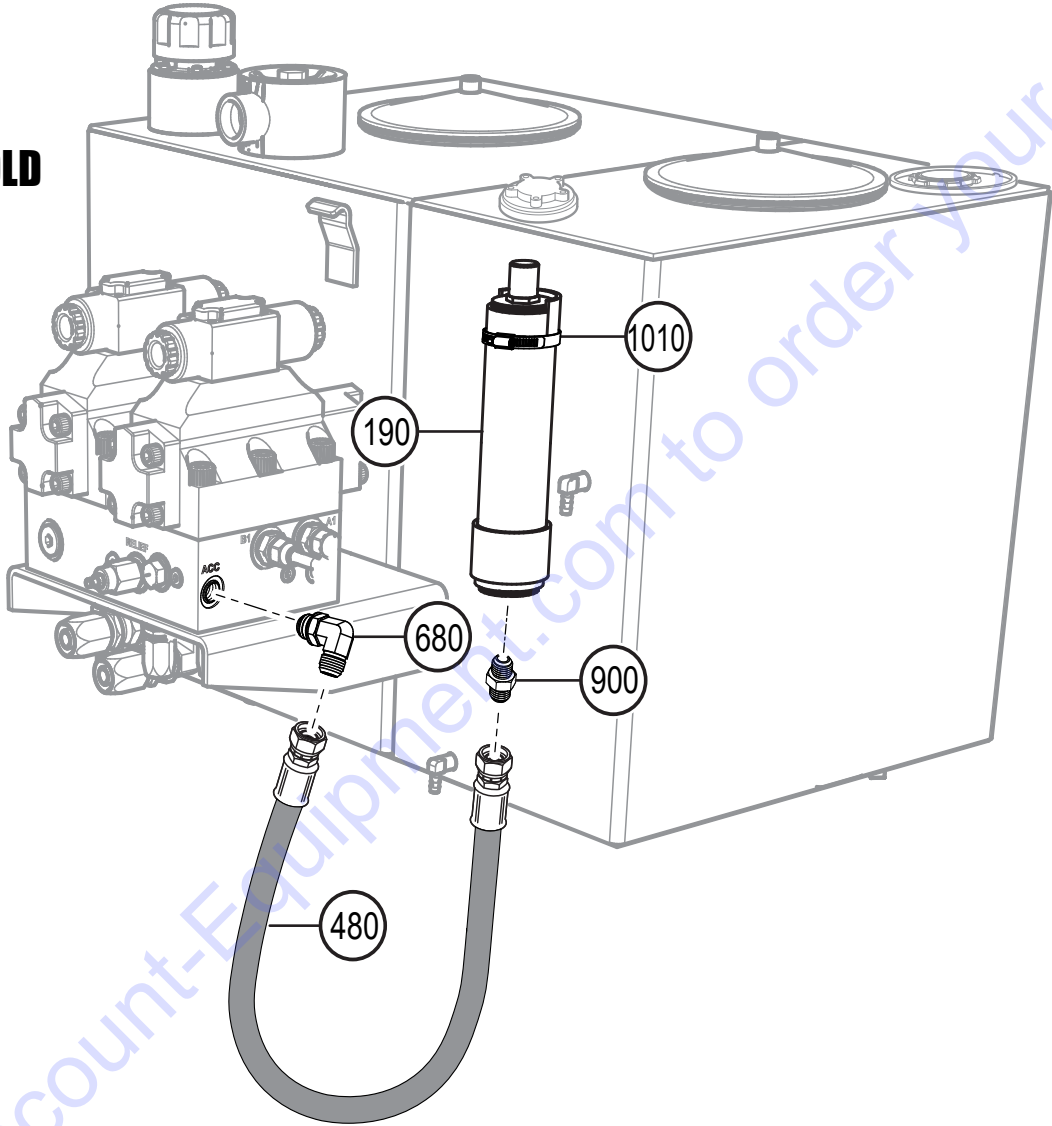
HEAT EXCHANGER ASSY.

<u>NO.</u>	<u>PART NO.</u>	<u>PART NAME</u>	<u>QTY.</u>	<u>REMARKS</u>
430	518000	HOSE, 381-16 LG. 1180 MM C/C (3.87 FT.)	1	1 PC = 1 FT
440	518001	HOSE, 381-16 LG. 610 MM C/C (2.00 FT.)	1	1 PC = 1 FT
600	EM25497	FITTING	4	
810	EM18436	ELBOW, 90° MALE	1	
850	18147	ADAPTER	2	
1040	EM923023	WASHER, FLAT 5/16"	8	
1050	EM923343	WASHER, LOCK 5/16"	4	
1060	0202	SCREW, HHC 5/16" X 18 X 1	6	
1080	516812	COVER, HEAT EXCHANGER	1	
1110	EM98118	HEAT EXCHANGER ASSEMBLY, QAD11-12V	1	
1130	492363	BOLT, 5/16" DIA. NC X 3/4" G-5	6	
1170	2105164	NUT, NYLON 5/16-18	6	
1900	EM923057	WASHER, FLAT 5/16"	4	
2120	512367	CAP SCREW 3/16"NC X 1/2" G2	2	
2130	503119	NUT, LOCK 3/16"NC NYLON G8	2	

Go to Discount-Equipment.com to order your parts

PISTON ACCUMULATOR ASSY.

MANIFOLD

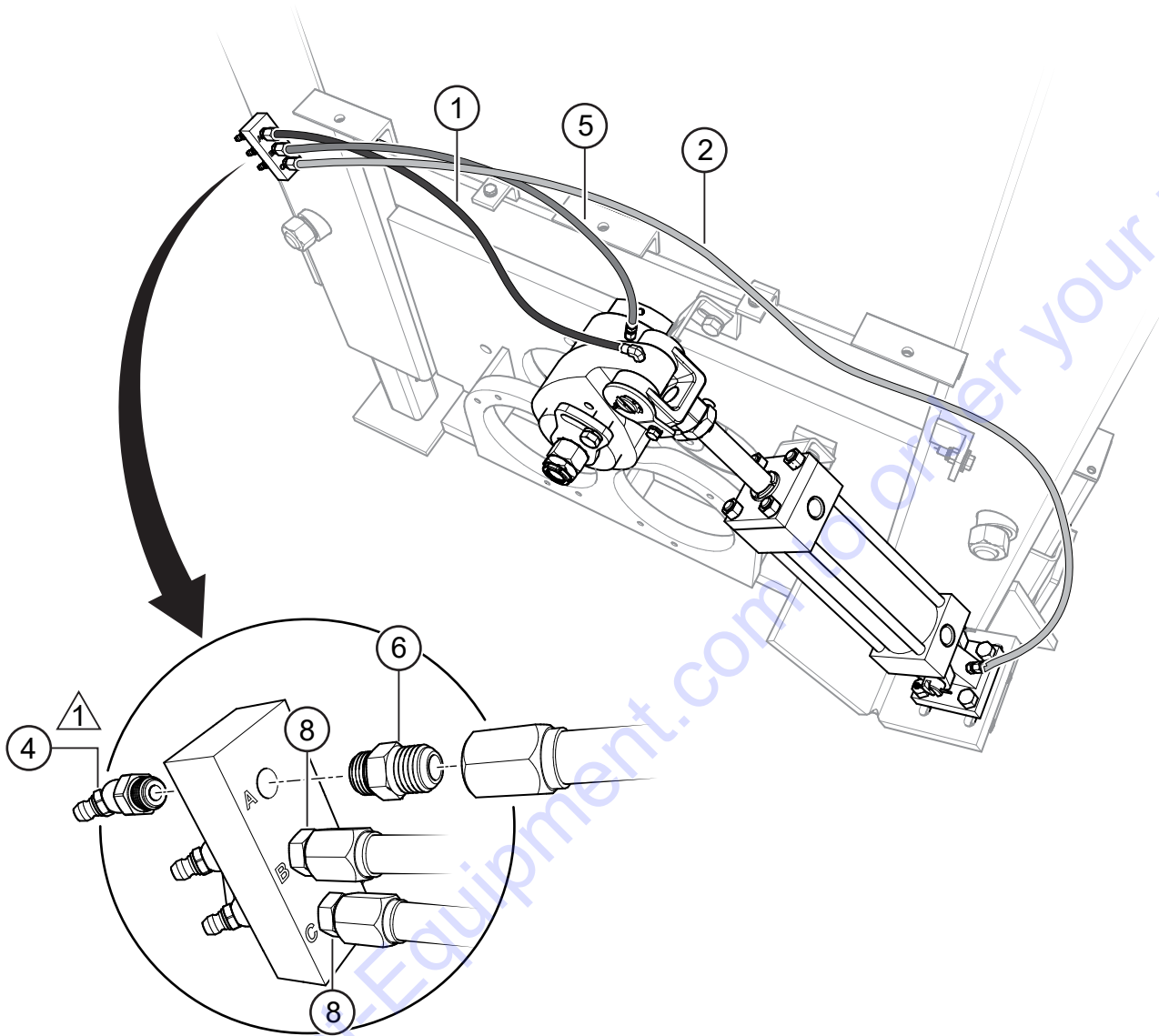


PISTON ACCUMULATOR ASSY.

<u>NO.</u>	<u>PART NO.</u>	<u>PART NAME</u>	<u>QTY.</u>	<u>REMARKS</u>
190	EM98265	ACCUMULATOR, 1 PINT	1	
480	518009	HOSE, 381-6 LG. 692 MM C/C (2.27 FT).....	1.....	1 PC = 1 FT
680	511803	ADAPTER ELBOW WPB-16	1	
900	518192	STRAIGHT 3/8" MALE CONNECTOR	1	
1010	EM513126	CLAMP	1	

Go to Discount-Equipment.com to order your parts

LUBRICATION PANEL ASSY.



POSITION	LOCATION	LENGTH OF LINES
A	CLEVIS GREASE POINT	34 in. (1.1 m)
B	SWING AXLE BUSHING GREASE POINT	26 in. (.85 m)
C	PIVOT BRACKET GREASE POINT	41 in. (1.5 m)

NOTE:

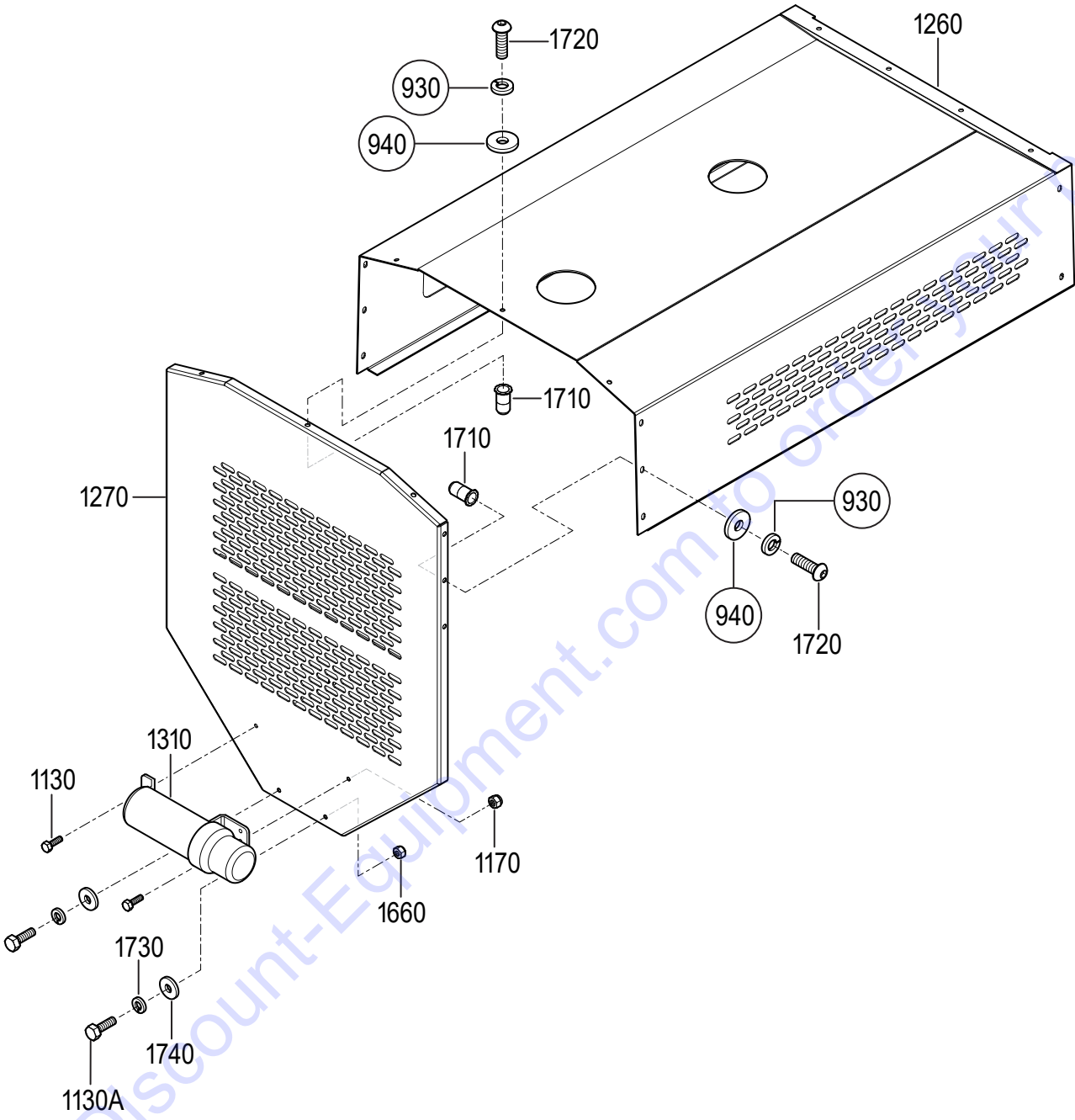
- 1 GREASE DAILY, TWO OR THREE SHOTS OF #2 MULTIPURPOSE AUTOMOTIVE GREASE. OVERGREASING ANY BEARING WILL NOT DAMAGE THE MACHINE. ALWAYS GREASE **BEFORE AND AFTER OPERATION.**

LUBRICATION PANEL ASSY.

<u>NO.</u>	<u>PART NO.</u>	<u>PART NAME</u>	<u>QTY.</u>	<u>REMARKS</u>
1	802639	HOSE, RUBBER	1	
2	EM505516	HOSE, PLASTIC 1/4"	AR.....	1 PC = 1 FT
4	EM491701	FITTING, ZERK GREASE	3	
5		STEEL LINE.....	AR.....	OBTAIN LOCALLY
6	515328	ADAPTER, FITTING	1	
8	EM510684	FITTING, GREASE	2	

Go to Discount-Equipment.com to order your parts

ENGINE COVER ASSY.

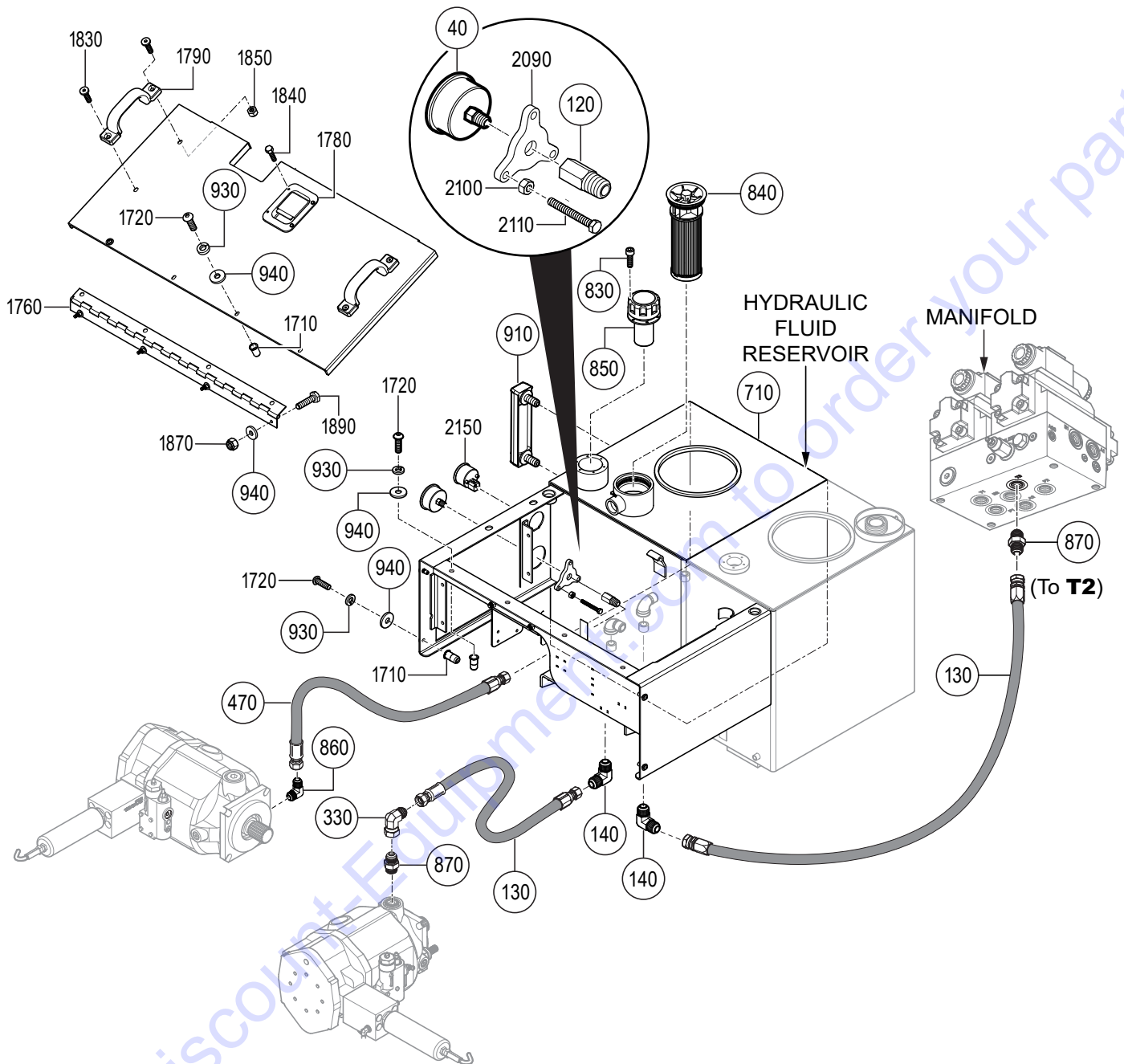


ENGINE COVER ASSY.

<u>NO.</u>	<u>PART NO.</u>	<u>PART NAME</u>	<u>QTY.</u>	<u>REMARKS</u>
930	2101402	WASHER, LOCK 1/4" DIA.	21	
940	DULT100531	WASHER, FLAT M6 17.8-6.4-1.5 MM	25	
1130	492363	BOLT, 5/16" DIA. NC X 3/4" G-5	2	
1130A	492356	BOLT, 1/4" DIA. NC X 3/4" G-5	2	
1170	2105164	NUT, NYLON 5/16-18	2	
1260	806499	COVER, TOP ENGINE	1	
1270	EM805053	COVER, FRONT ENGINE	1	
1310	23297	MANUAL HOLDER	1	
1660	492581	NUT 1/4"-20 NYLON LOCKNUT	2	
1710	DULT100602	RIVET, NUT M6	21	
1720	DULT100443	CAP SCREW M6 X 20P-1 G2	21	
1730	2101402	WASHER, LOCK 1/4" DIA.	2	
1740	DULT100531	WASHER, FLAT M6 17.8-6.4-1.5 MM	2	

Go to Discount-Equipment.com to order your parts

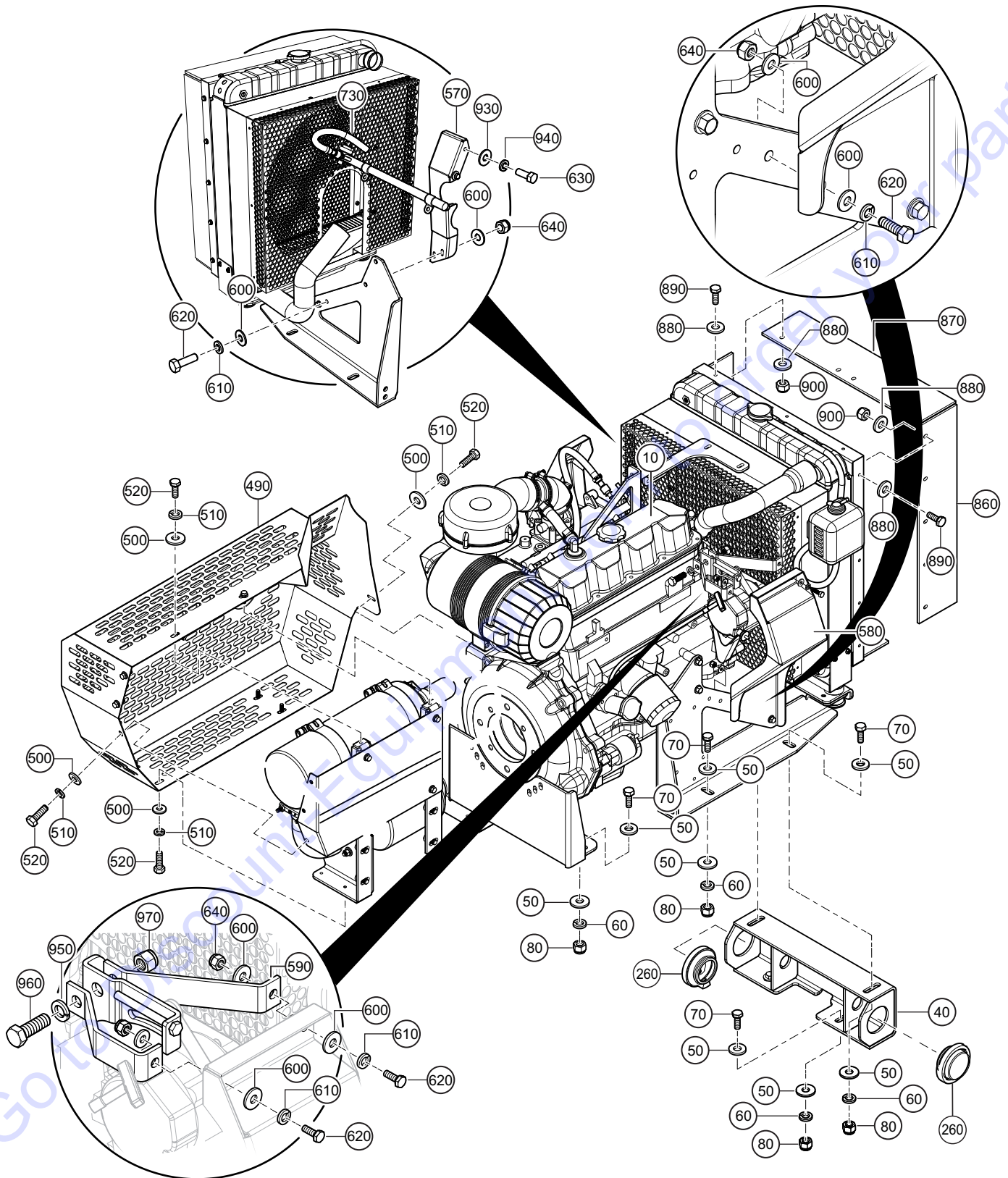
HYDRAULIC TANK ASSY.



HYDRAULIC TANK ASSY.

<u>NO.</u>	<u>PART NO.</u>	<u>PART NAME</u>	<u>QTY.</u>	<u>REMARK</u>
40	EM97067	GAUGE, HYDRAULIC, 5000 PSI	1	
120	EM25523	ADAPTER, PRESSURE GAUGE	1	
130	518010	HOSE, 770 MM (2.5 FT.)	2.....	1 PC = 1 FT
140	509784	ADAPTER	2	
330	EM509353	ELBOW	4	
470	EM518008	HOSE, HYDRAULIC	1	
710	805049	TANK, HYDRAULIC/FUEL	1	
830	492267	BOLT, ALLEN 10 X 32 X 26"	6	
840	EM98245	FILTER, HYDRAULIC TANK	1	
850	EM98263	CAP FILLER, HYDRAULIC TANK	1	
860	EM25429	FITTING, ELBOW 90°	1	
870	EM491372	ADAPTER	6	
910	EM98188	SIGHT GAUGE	1	
930	2101402	WASHER, LOCK 1/4" DIA.	21	
940	DULT100531	WASHER, FLAT M6 17.8-6.4-1.5 MM	25	
1040	EM923023	WASHER, FLAT 5/16"	8	
1220	EM491686	PIN, COTTER	4	
1710	DULT100602	NUT, RIVET M6	21	
1720	DULT100443	CAP SCREW M6 X 20P-1 G2	21	
1760	521262	HINGE, TANK	1	
1780	802579	STAINLESS STEEL PALETTE LOCK	1	
1790	802751	HANDLE, COVER	2	
1800	802875	SUPPORT, VALVE COVER	1	
1830	513312	BOLT, 1/4" X 1"	4	
1840	EM503115	SCREW	4	
1850	492581	NUT, 1/4"-20 NYLON LOCKNUT	4	
1890	492357	BOLT, G8	4	
2090	804077	BRACKET, GAUGE	1	
2100	2105164	NUT, HEX 5/16" DIA-NC	3	
2110	518702	SCREW 5/16"NC X 2-1/2" G5	3	
2150	42424	FUEL GAUGE	1	

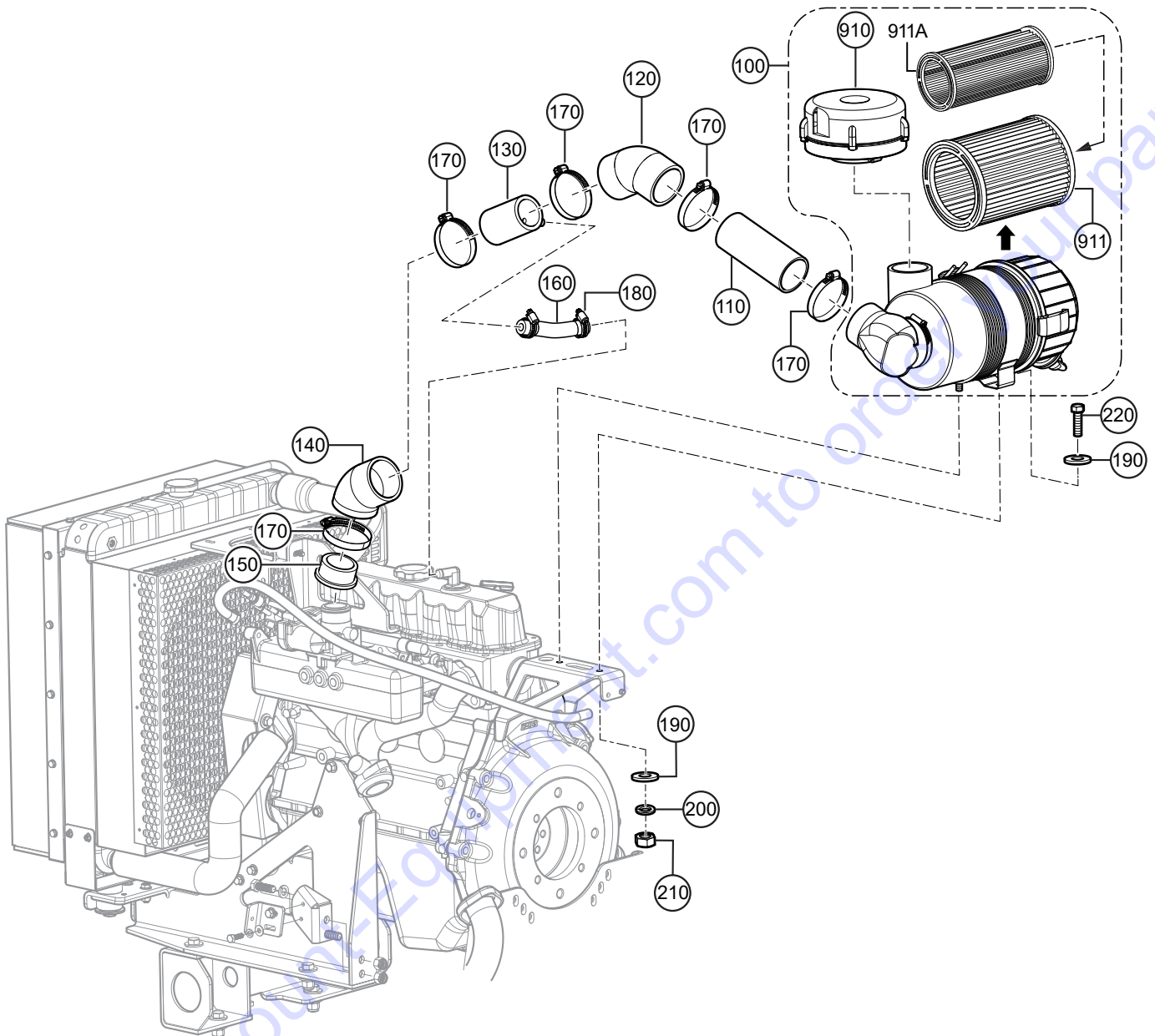
ENGINE MOUNTING ASSY.



ENGINE MOUNTING ASSY.

<u>NO.</u>	<u>PART NO.</u>	<u>PART NAME</u>	<u>QTY.</u>	<u>REMARK</u>
10	EM805876	ENGINE, ZENITH 71.3 HP	1	
40	806491	RADIATOR SUPPORT	1	
50	492599	WASHER, FLAT 1/2"	16	
60	6109180	WASHER, LOCK 1/2"	8	
70	510902	CAP SCREW 1/2" NC X 1-1/2" G8	8	
80	492584	NUT, LOCK 1/2" DIA. NC	8	
260	801258	LIGHT, AMBER SIDE MARKER	2	
490	806907	COVER, MUFFLER	1	
500	EM923057	WASHER, 1/4"	9	
510	EM923343	WASHER, LOCK 5/16"	9	
520	0202	SCREW, HHC 5/16" X 18 X 1	9	
570	807177	LEFT GUARD ENGINE	1	
580	807178	RIGHT GUARD ENGINE	1	
590	807164	SUPPORT GUARD	1	
600	EM923057	WASHER, 1/4"	14	
610	EM923343	WASHER, LOCK 5/16"	7	
620	0202	SCREW, HHC 5/16" X 18 X 1	7	
630	EM963610	CAP SCREW	2	
640	2105164	NUT, NYLON 5/16"	7	
730	42459	HOSE, RUBBER .3125, LOW PERM 145 PSI (49.2 IN.).....	1.....	1 PC. = 1 FT
860	807165	RUBBER, LONG RADIATOR	2	
870	807166	RUBBER, SHORT RADIATOR	2	
880	492595	WASHER, FLAT 3/16"	36	
890	492356	BOLT, 1/4" X 3/4"	18	
900	492581	NUT, 1/4"-20 NYLON LOCKNUT	18	
930	3019092	WASHER, FLAT 3/8"	2	
940	0166 A	WASHER, LOCK 3/8"	2	
950	6109180	WASHER, LOCK 1/2"	1	
960	EM963692	BOLT, 1/2" UNC X 1-1/2"	1	
970	492584	NUT, LOCK 1/2"	1	

AIR FILTER ASSY.

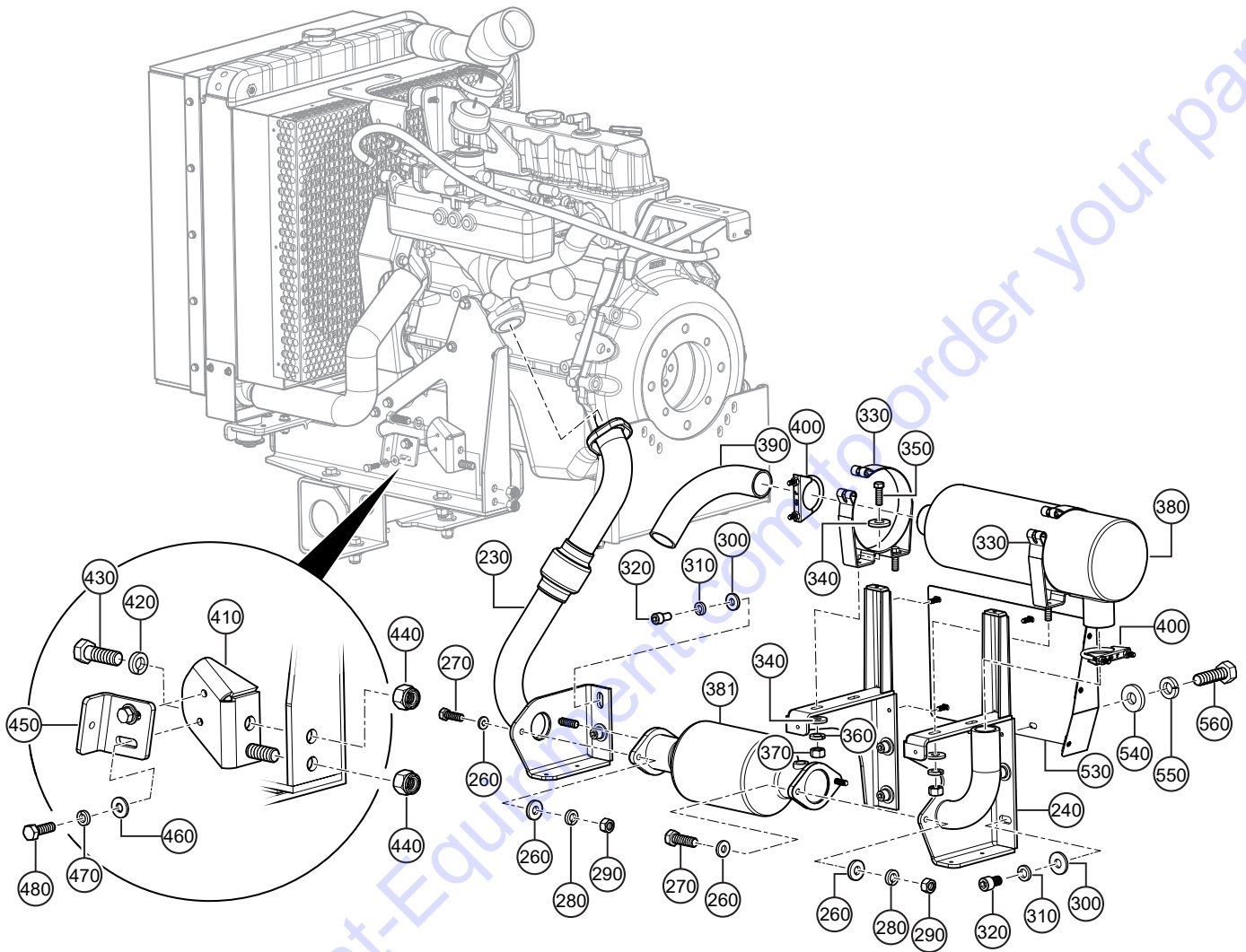


AIR FILTER ASSY.

<u>NO.</u>	<u>PART NO.</u>	<u>PART NAME</u>	<u>QTY.</u>	<u>REMARK</u>
100	EM807145	AIR FILTER ASSEMBLY	1.....	INCLUDES ITEMS W/\$
110	807156G	SLEEVE, CONNECTOR AIR FILTER	1	
120	807147	ELBOW, RUBBER 45	1	
130	807157G	SLEEVE, CONNECTOR AIR FILTER	1	
140	807159	ELBOW, RUBBER 45°	1	
150	807158	RUBBER REDUCER, AIR FILTER	1	
160	807162	HOSE, ENGINE BREATHER	1	
170	EM510725	CLAMP	5	
180	506207	CLAMP	2	
190	EM923023	WASHER, FLAT 5/16"	4	
200	0166 A	WASHER, LOCK 3/8" DIA.	2	
210	EM969013	NUT, NYLOC	2	
220	EM963610	CAP SCREW 3/8"NC X 1" G5	2	
910\$	EM807146	PRE-AIR FILTER	1	
911\$	EM807145A	ELEMENT, PRIMARY AIR FILTER	1	
911A	EM807145B	ELEMENT, SAFETY AIR FILTER	1	

Go to Discount-Equipment.com to order your parts

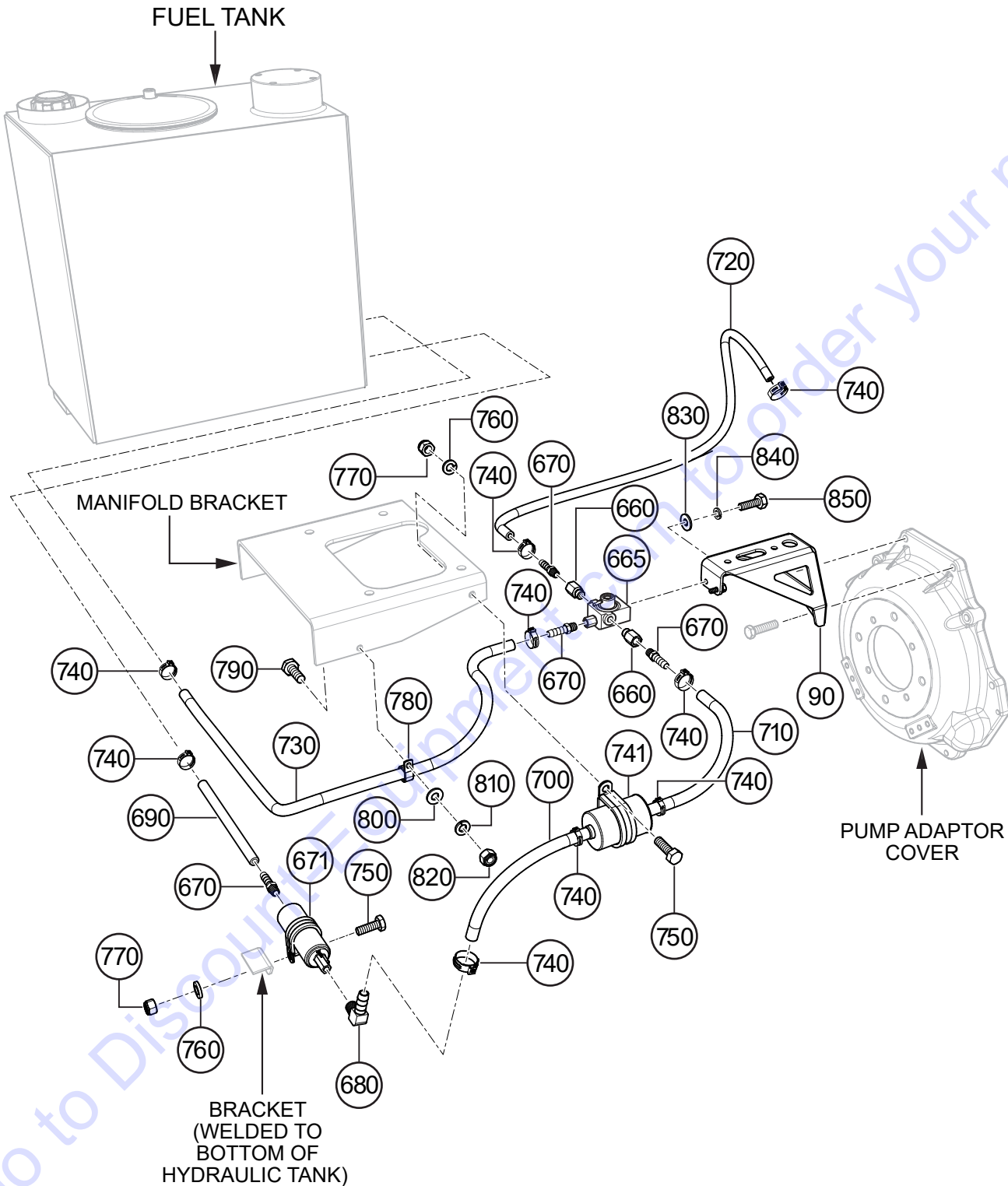
EXHAUST ASSY.



EXHAUST ASSY.

<u>NO.</u>	<u>PART NO.</u>	<u>PART NAME</u>	<u>QTY.</u>	<u>REMARK</u>
230	806675	EXHAUST PIPE CATALYST, MOTOR	1	
240	807181	FLANGE, CATALYST SUPPORT STAND	1	
260	EM923023	WASHER, FLAT 5/16"	8	
270	EM963057	BOLT 3/8".	4	
280	0166 A	WASHER, LOCK 3/8"	4	
290	1456	NUT, HEX 3/8"-16	4	
300	EM492599	WASHER, FLAT 1/2"	6	
310	6109180	WASHER, LOCK 1/2"	6	
320	803692	CAP SCREW 1/2"NC X 3/4" G5	6	
330	521020	CLAMP	2	
340	EM923023	WASHER, FLAT 5/16"	8	
350	EM963610	BOLT, 3/8"	4	
360	0166 A	WASHER, LOCK 3/8" DIA.	4	
370	1456	NUT, HEX 3/8"	4	
380	806629	MUFFLER	1	
381	201380	CATALYST	1	
390	806780	ELBOW, EXHAUST OUTLET	1	
400	510882	CLAMP 2"	2	
410	806916	SUPPORT, LATERAL FIXED	1	
420	6109180	WASHER, LOCK 1/2"	2	
430	EM510902	CAP SCREW 1/2" NC X 1-1/2" G8	2	
440	492584	NUT, LOCK 1/2" DIA. NC	2	
450	806917	SUPPORT, LATERAL	1	
460	EM923057	WASHER, 1/4"	2	
470	EM923343	WASHER, LOCK 5/16"	2	
480	0202	SCREW, HHC 5/16" X 18 X 1	2	
530	807127	HEAT SHIELD	1	
540	EM923057	WASHER, 1/4"	7	
550	EM923343	WASHER, LOCK 5/16"	7	
560	0202	SCREW, HHC 5/16" X 18 X 1	7	

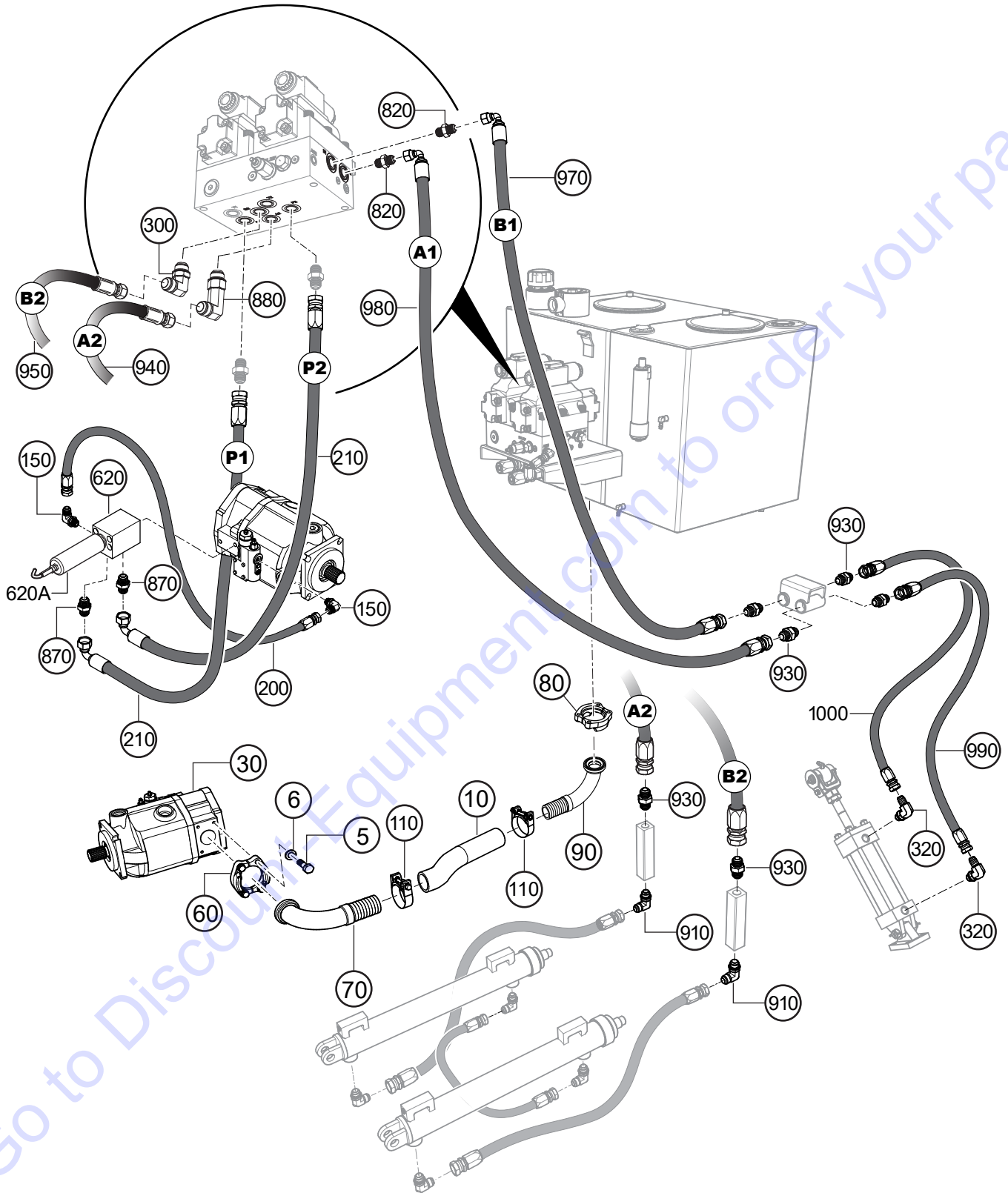
FUEL SYSTEM ASSY.



FUEL SYSTEM ASSY.

<u>NO.</u>	<u>PART NO.</u>	<u>PART NAME</u>	<u>QTY.</u>	<u>REMARK</u>
90	806487	AIR FILTER SUPPORT	1	
660	807171	ADAPTER	3	
665	ZPP200909	REGULATOR, FUEL	1	
670	512731	ADAPTER	4	
671	ZPP201285	PUMP, FUEL	1	
680	514559	ADAPTER	1	
690	42459	HOSE, RUBBER .3125, LOW PERM 145 PSI 0.2	1	PC = 1 FT
700	42459	HOSE, RUBBER .3125, LOW PERM 145 PSI 0.25.....	1	PC = 1 FT
710	42459	HOSE, RUBBER .3125, LOW PERM 145 PSI 0.28.....	1	PC = 1 FT
720	42459	HOSE, RUBBER .3125, LOW PERM 145 PSI 0.85.....	1	PC = 1 FT
730	42459	HOSE, RUBBER .3125, LOW PERM 145 PSI 1.25.....	1	PC = 1 FT
740	37822	CLAMP	10	
741	ZPP201287	FILTER, FUEL	1	
750	0202	SCREW HHC 5/16" X 18 X 1	2	
760	EM923343	WASHER, LOCK 5/16"	2	
770	2105164	NUT 5/16"-18 NYLON	2	
780	801130	CLAMP, HOSE	1	
790	492356	BOLT, 1/4" X 3/4"	1	
800	492595	WASHER, FLAT 3/16"	1	
810	2101402	WASHER, LOCK 1/4"	1	
820	492581	NUT, 1/4"-20 NYLON LOCKNUT	1	
830	DULT100494	WASHER, FLAT M8	2	
840	030208200	WASHER, LOCK M8	2	
850	DULT100265	CAP SCREW M8 X16 P-1-1/4" G8	2	

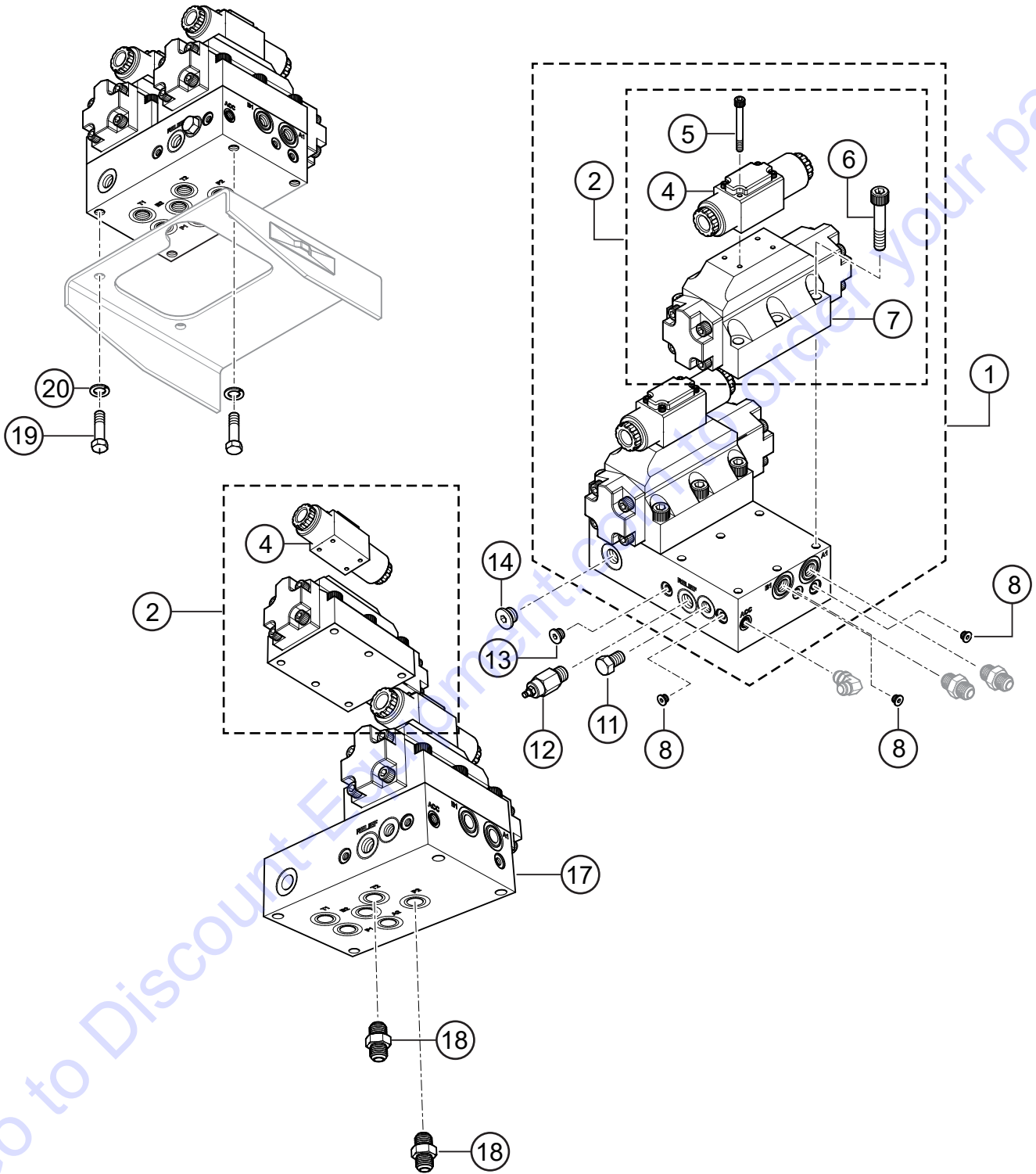
HYDRAULIC PUMP ASSY.



HYDRAULIC PUMP ASSY.

<u>NO.</u>	<u>PART NO.</u>	<u>PART NAME</u>	<u>QTY.</u>	<u>REMARK</u>
30	EM801362	HYDRAULIC PUMP	1	
60	EM514628	FLANGE, SUCTION PIPE PUMP SIDE	1	
70	EM514627	ADAPTER, SUCTION PIPE	1	
80	EM514719	FLANGE, SUCTION PIPE	1	
90	EM514718	ADAPTER, SUCTION PIPE	1	
110	EM515207	CLAMP, SUCTION HOSE 2"	2	
120	EM25523	ADAPTER	1	
150	EM25429	ELBOW	2	
200	516875	HOSE, 381-4 LG. 500 MM C/C (1.64 FT.)	1	1 PC = 1 FT
210	518004	HOSE, 301-12 LG. 620 MM C/C (2.03 FT.)	2	1 PC = 1 FT
300	EM25459	ELBOW, 3/4"-90	1	
320	3322	FITTING, 90°	2	
620	EM806662	MANIFOLD ASSEMBLY, FLOW CONTROL	1	
620A	EM98273	FLOW CONTROL CARTRIDGE	1	
820	513548	ADAPTER	2	
840	516411	ADAPTER	2	
870	EM491372	ADAPTER	6	
880	EM514488	ADAPTER	1	
910	509784	ADAPTER	2	
930	516675	ADAPTER	6	
940	803693	HOSE, 302-12 LG. 780 MM (2.55 FT.) C/C	1	1 PC = 1 FT
950	803694	HOSE, 302-12 LG. 890 MM (2.91 FT.) C/C	1	1 PC = 1 FT
970	803696	HOSE, 302-12 LG. 455 MM (1.49 FT.) C/C	1	1 PC = 1 FT
980	803697	HOSE, 302-12 LG. 475 MM (1.55 FT.) C/C	1	1 PC = 1 FT
990	803698	HOSE, 302-12 LG. 625 MM (2.05 FT.) C/C	1	1 PC = 1 FT
1000	803699	HOSE, 302-12 LG. 465 MM (1.52 FT.) C/C	1	1 PC = 1 FT

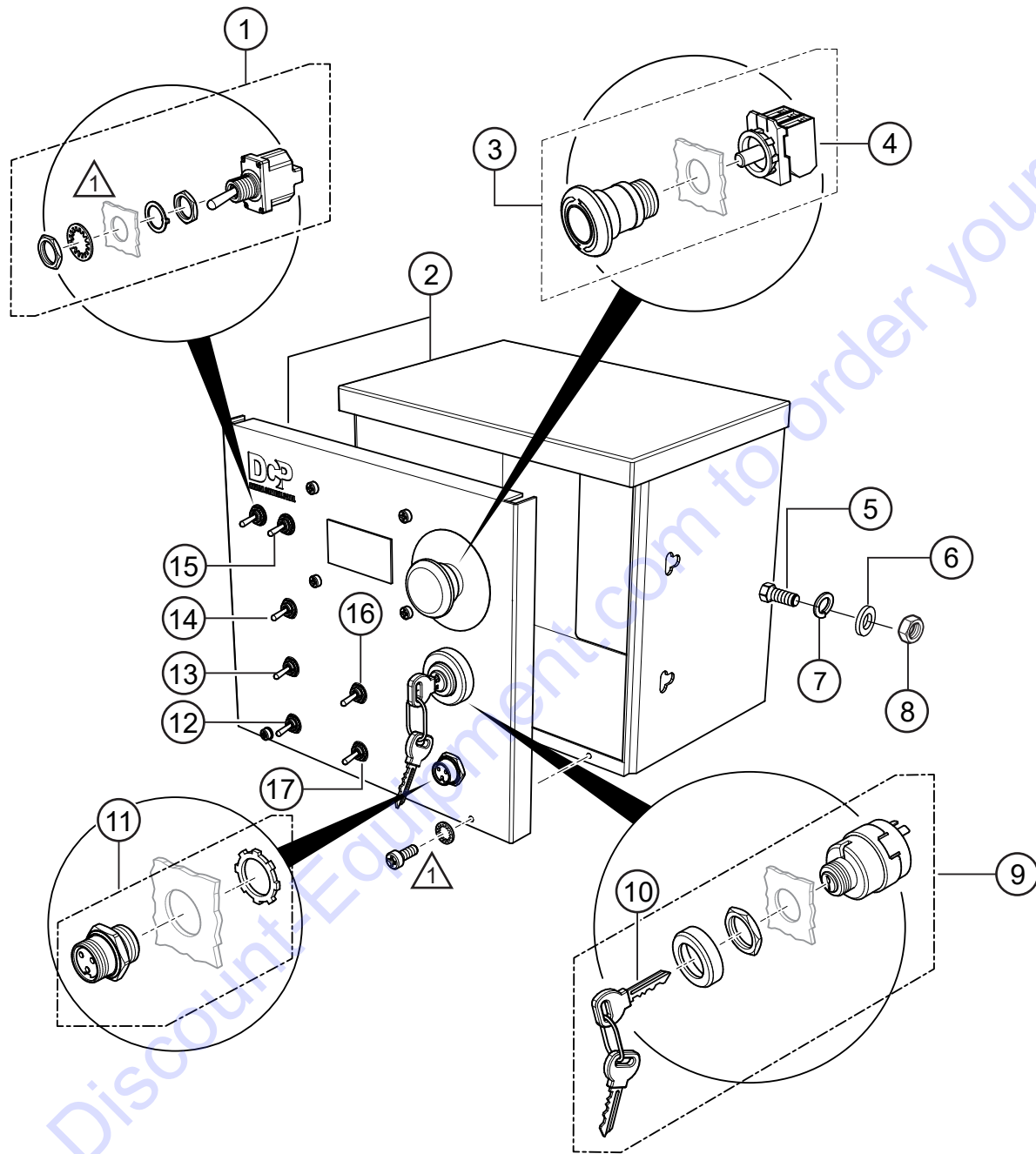
MANIFOLD ASSY.



MANIFOLD ASSY.

<u>NO.</u>	<u>PART NO.</u>	<u>PART NAME</u>	<u>QTY.</u>	<u>REMARK</u>
1	EM98243A	MANIFOLD ASSEMBLY	2.....	INCLUDES ITEMS W/%
2%	EM98221	CYCLING VALVE, SWING W/PILOTS	2.....	INCLUDES ITEMS W/\$
4%\$	EM98222	PILOT VALVE, SHUTTLE	2	
5%\$		BOLT, SHCS 1/2" X 1-1/4"	8.....	CONTACT MQ PARTS DEPT.
6%\$		BOLT, SHCS 1/2" X 2-1/4"	12.....	CONTACT MQ PARTS DEPT.
7%\$		SWING VALVE	1.....	CONTACT MQ PARTS DEPT.
8		PLUG	3.....	CONTACT MQ PARTS DEPT.
9	513548	FITTING, STRAIGHT	2	
10	511803	ADAPTER ELBOW	1	
11		PLUG	1.....	CONTACT MQ PARTS DEPT.
12	EM98226	RELIEF VALVE	1	
13		PLUG	3.....	CONTACT MQ PARTS DEPT.
14		PLUG	3.....	CONTACT MQ PARTS DEPT.
17		BODY	1.....	CONTACT MQ PARTS DEPT.
18	491372	STRAIGHT FITTING	4	
19	EM963102	BOLT, 1/2" X 1-1/4"	4	
20	6109180	WASHER, LOCK 1/2"	4	

CONTROL BOX ASSY.



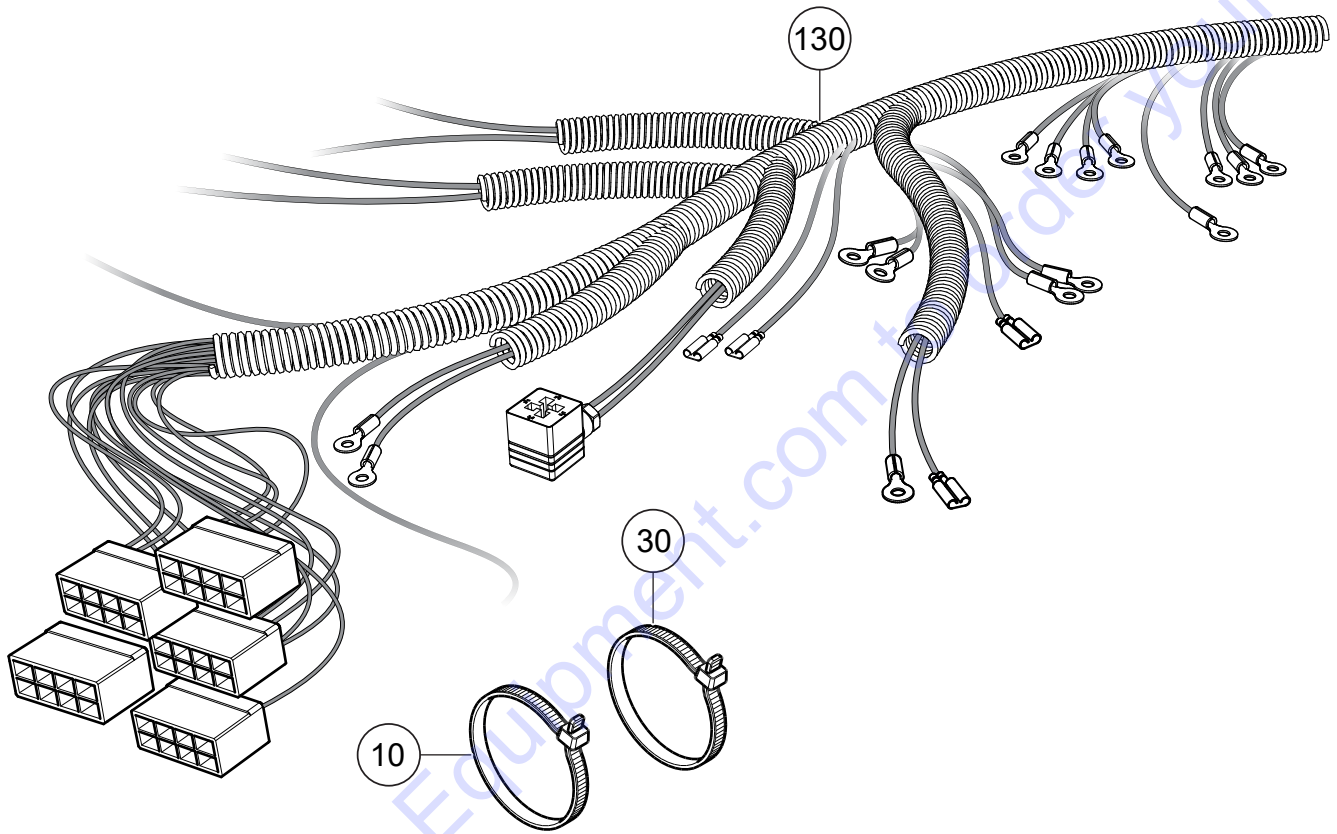
NOTES:

△ PART OF FRONT PANEL.

CONTROL BOX ASSY.

<u>NO.</u>	<u>PART NO.</u>	<u>PART NAME</u>	<u>QTY.</u>	<u>REMARKS</u>
1	EM98122	SWITCH, SCROLLING, JOG, VOL. RESET	1	
2	EM517648B	PANEL, CONTROL DIGITAL LS PUMPS	1	
3	EM517177	SWITCH ASSEMBLY	1	INCLUDES ITEMS W/#
4#	EM517186	CONTACT BLOCK	1	
5	0202	SCREW HHC 5/16" X 18 X 1	4	
6	EM923023	WASHER, FLAT 5/16"	4	
7	EM923343	WASHER, LOCK 5/16"	4	
8	2105164	NUT, NYLON 5/16-18	4	
9	EM98206	SWITCH, IGNITION.....	1	INCLUDES ITEMS W/\$
10\$	EM98206K	KEY, IGNITION SWITCH	1	
11	EM97068	RECEPTACLE, REMOTE	1	
12	EM98121	SWITCH, AUTO AND JOG	1	
13	EM98120	SWITCH, FLOW DIRECTION	1	
14	EM98122	SWITCH, VOLUME	1	
15	EM98122	SWITCH, RESET	1	
16	EM98119	SWITCH, MAIN CONTROL	1	
17	EM98122	SWITCH, JOG A AND B	1	

CONTROL BOX HARNESS ASSY.

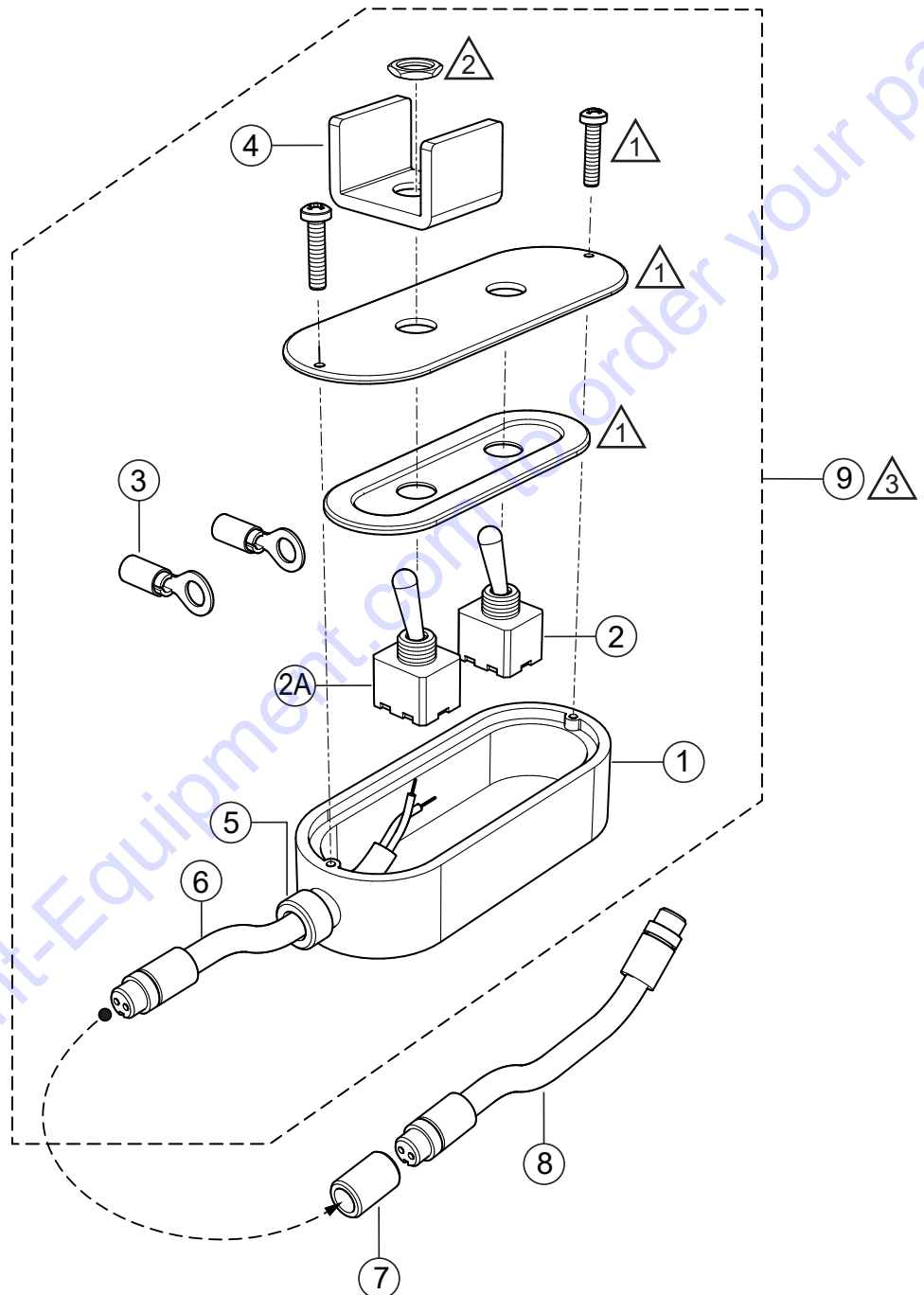


CONTROL BOX HARNESS ASSY.

<u>NO.</u>	<u>PART NO.</u>	<u>PART NAME</u>	<u>QTY.</u>	<u>REMARK</u>
10	EM491028	WRAP, CABLE TIE	5	
30	491030	WRAP, CABLE TIE	6	
130	807163	WIRE HARNESS, MAIN	1	

Go to Discount-Equipment.com to order your parts

REMOTE CONTROL CABLE ASSY.



NOTES

① INCLUDED WITH ITEM 1.

② INCLUDED WITH ITEMS 2 AND 2A.

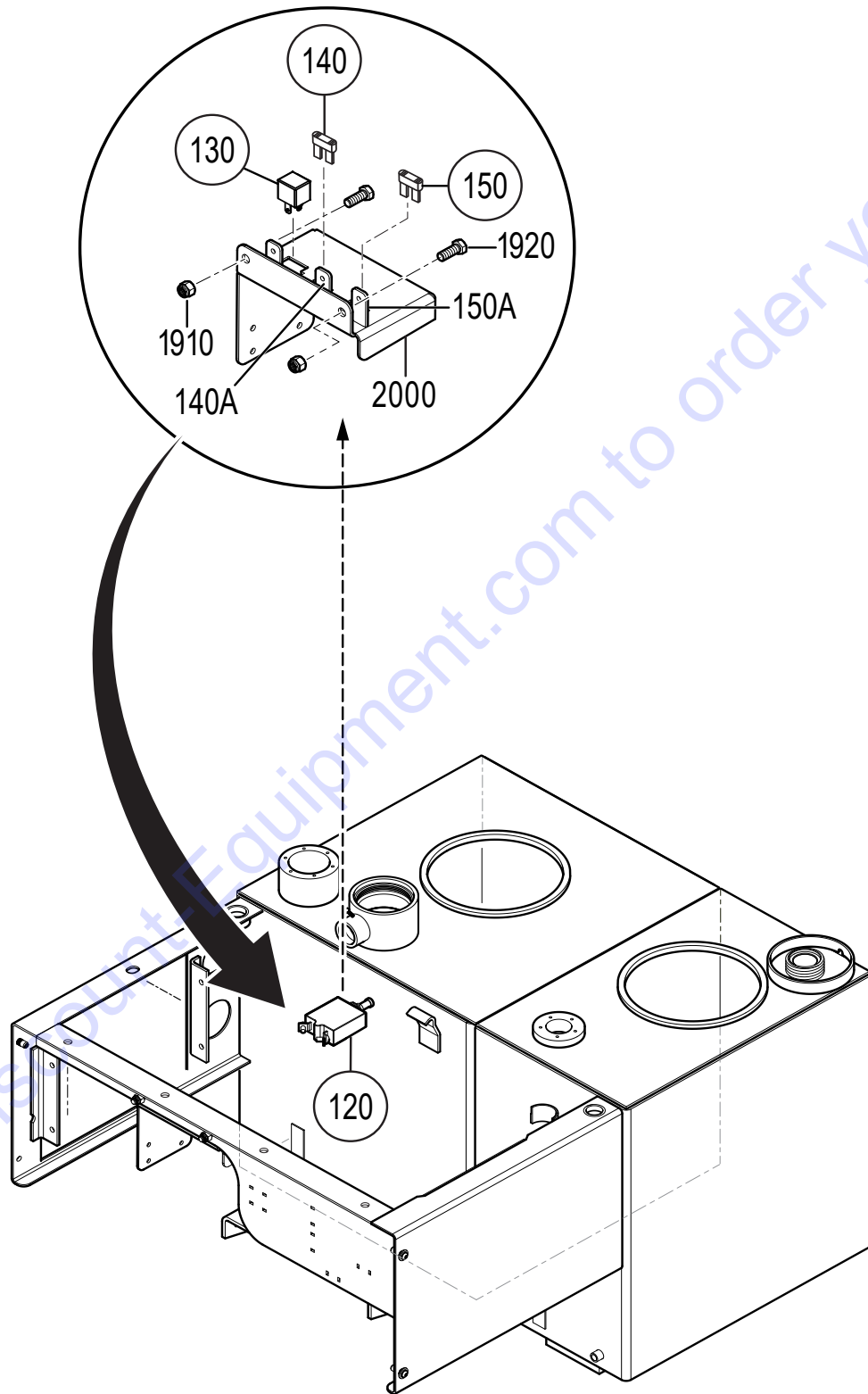
③ COMPLETE CORD ASSY. INCLUDES ITEMS WITHIN DASHED LINES.

REMOTE CONTROL CABLE ASSY.

<u>NO.</u>	<u>PART NO.</u>	<u>PART NAME</u>	<u>QTY.</u>	<u>REMARK</u>
1\$	EM16753	JUNCTION BOX	1	
2\$	EM16754	SWITCH	1	
2A\$	EM97075	SWITCH	1	
3\$	EM491897	CONNECTOR, RING 3/16"	4	
4\$	EM16756	GUARD SWITCH, ALUMINUM	2	
5\$	EM26791	SEAL, GRIP CORD	1	
6\$	EM26790	CORD, MX P/E 25 FT.	1	
7	EM26793	ADAPTER, CORD GRIP 1/2"	1	
8	EM97065	CORD, 100 FT., REMOTE CONTROL.....	1 OPTION
9	EM97099	CABLE REMOTE CONTROL ASSEMBLY, (25 FT.)...	1 INCLUDES ITEMS W/\$

Go to Discount-Equipment.com to order your parts

FUSES AND RELAYS ASSY.



FUSES AND RELAYS ASSY.

<u>NO.</u>	<u>PART NO.</u>	<u>PART NAME</u>	<u>QTY.</u>	<u>REMARK</u>
120	804996	CIRCUIT BREAKER, HEAT EXCHANGER	1	
130	EM802378	RELAY, HEAT EXCHANGER 40 AMP	1	
140	23284-300	FUSE, MAIN, 30 AMP	1	
140A	EM98066	HOLDER, FUSE	1	
150	23284-030	FUSE, FUEL, 3 AMP	1	
150A	EM98066	HOLDER, FUSE	1	
1910	EM969013	NUT 3/8" NC NYLON G8	2	
2000	807191	BOX, FOR RELAYS AND FUSES	1	

Go to Discount-Equipment.com to order your parts

PARTS FINDER

**Search Website
by Part Number**



**Search Manual
Library For Parts
Manual & Lookup Part
Numbers – Purchase
or Request Quote**

Search Manuals

Enter your information to help us find the right parts manual for your machine.

* Brand:

* Model:

* Serial:

* Part Number:

SEARCH

**Can't Find Part or
Manual? Request Help
by Manufacturer,
Model & Description**

Parts Order Form

Please fill in the following information to help us find the right part for your machine.

Manufacturer:	<input type="text"/>
Model:	<input type="text"/>
Description:	<input type="text"/>
Part Number:	<input type="text"/>
Quantity:	<input type="text"/>
Notes:	<input type="text"/>
Submit	<input type="button" value="Submit"/>

Discount-Equipment.com is your online resource for quality parts & equipment.

Florida: **561-964-4949** Outside Florida TOLL FREE: **877-690-3101**

Need parts?

Click on this link: <http://www.discount-equipment.com/category/5443-parts/> and choose one of the options to help get the right parts and equipment you are looking for. Please have the machine model and serial number available in order to help us get you the correct parts. If you don't find the part on the website or on one of the online manuals, please fill out the request form and one of our experienced staff members will get back to you with a quote for the right part that your machine needs.

We sell worldwide for the brands: Genie, Terex, JLG, MultiQuip, Mikasa, Essick, Whiteman, Mayco, Toro Stone, Diamond Products, Generac Magnum, Airman, Haulotte, Barreto, Power Blanket, Nifty Lift, Atlas Copco, Chicago Pneumatic, Allmand, Miller Curber, Skyjack, Lull, Skytrak, Tsurumi, Husquvarna Target, Stow, Wacker, Sakai, Mi-T-M, Sullair, Basic, Dynapac, MBW, Weber, Bartell, Bennar Newman, Haulotte, Ditch Runner, Menegotti, Morrison, Contec, Buddy, Crown, Edco, Wyco, Bomag, Laymor, EZ Trench, Bil-Jax, F.S. Curtis, Gehl Pavers, Heli, Honda, ICS/PowerGrit, IHI, Partner, Imer, Clipper, MMD, Koshin, Rice, CH&E, General Equipment, Amida, Coleman, NAC, Gradall, Square Shooter, Kent, Stanley, Tamco, Toku, Hatz, Kohler, Robin, Wisconsin, Northrock, Oztec, Toker TK, Rol-Air, APT, Wylie, Ingersoll Rand / Doosan, Innovatech, Con X, Ammann, Mecalac, Makinex, Smith Surface Prep, Small Line, Wanco, Yanmar