

PARTS MANUAL



***WHITEMAN* SERIES**

MODEL

WM70SH5/WM70PH5

WM70SH8/WM70PH8

WM70SE/WM70PE

PLASTER AND MORTAR MIXER

**(HONDA GX160/GX240 SERIES GASOLINE ENGINES
AND 1.5 HP ELECTRIC MOTOR)**

Revision #9 (11/04/19)



THIS MANUAL MUST ACCOMPANY THE EQUIPMENT AT ALL TIMES.

PARTS FINDER

**Search Website
by Part Number**



**Search Manual
Library For Parts
Manual & Lookup Part
Numbers – Purchase
or Request Quote**

Search Manuals

Enter your information to help us find the right parts manual for your machine.

* Brand:

* Model:

* Serial:

* Part Number:

SEARCH

**Can't Find Part or
Manual? Request Help
by Manufacturer,
Model & Description**

Parts Order Form

Please fill in the following information to help us find the right part for your machine.

Manufacturer:	<input type="text"/>
Model:	<input type="text"/>
Description:	<input type="text"/>
Part Number:	<input type="text"/>
Quantity:	<input type="text"/>
Notes:	<input type="text"/>

Submit

Discount-Equipment.com is your online resource for quality parts & equipment.

Florida: **561-964-4949** Outside Florida TOLL FREE: **877-690-3101**

Need parts?

Click on this link: <http://www.discount-equipment.com/category/5443-parts/> and choose one of the options to help get the right parts and equipment you are looking for. Please have the machine model and serial number available in order to help us get you the correct parts. If you don't find the part on the website or on one of the online manuals, please fill out the request form and one of our experienced staff members will get back to you with a quote for the right part that your machine needs.

We sell worldwide for the brands: Genie, Terex, JLG, MultiQuip, Mikasa, Essick, Whiteman, Mayco, Toro Stone, Diamond Products, Generac Magnum, Airman, Haulotte, Barreto, Power Blanket, Nifty Lift, Atlas Copco, Chicago Pneumatic, Allmand, Miller Curber, Skyjack, Lull, Skytrak, Tsurumi, Husquvarna Target, Stow, Wacker, Sakai, Mi-T-M, Sullair, Basic, Dynapac, MBW, Weber, Bartell, Bennar Newman, Haulotte, Ditch Runner, Menegotti, Morrison, Contec, Buddy, Crown, Edco, Wyco, Bomag, Laymor, EZ Trench, Bil-Jax, F.S. Curtis, Gehl Pavers, Heli, Honda, ICS/PowerGrit, IHI, Partner, Imer, Clipper, MMD, Koshin, Rice, CH&E, General Equipment, Amida, Coleman, NAC, Gradall, Square Shooter, Kent, Stanley, Tamco, Toku, Hatz, Kohler, Robin, Wisconsin, Northrock, Oztec, Toker TK, Rol-Air, APT, Wylie, Ingersoll Rand / Doosan, Innovatech, Con X, Ammann, Mecalac, Makinex, Smith Surface Prep, Small Line, Wanco, Yanmar

TABLE OF CONTENTS

WM70 Series Plaster and Mortar Mixer

Table of Contents.....	2
Explanation of Code in Remarks Column.....	4
Suggested Spare Parts	5

Component Drawings

Nameplate and Decals	6-7
Frame Assembly.....	8-9
Paddle Shaft Assembly.....	10-11
Steel Drum Assembly.....	12-13
Plastic Drum Assembly.....	14-15
Drum and Paddle Shaft Complete Assembly (Plastic).....	16-17
Drum and Paddle Shaft Complete Assembly (Steel).....	18-19
Axle Assembly	20-21
Engine Assembly	22-23
Electric Motor Assembly.....	24-25
Cabinet Assembly.....	26-27
Engine Service Parts.....	28-29

Go to Discount-Equipment.com to order your parts

EXPLANATION OF CODE IN REMARKS COLUMN

The following section explains the different symbols and remarks used in the Parts section of this manual. Use the help numbers found on the back page of the manual if there are any questions.

NOTICE

The contents and part numbers listed in the parts section are subject to change **without notice**. Multiquip does not guarantee the availability of the parts listed.

SAMPLE PARTS LIST

NO.	PART NO.	PART NAME	QTY.	REMARKS
1	12345	BOLT.....	1	INCLUDES ITEMS W/%
2%		WASHER, 1/4 IN.....		NOT SOLD SEPARATELY
2%	12347	WASHER, 3/8 IN....	1	MQ-45T ONLY
3	12348	HOSE	A/R	MAKE LOCALLY
4	12349	BEARING	1	S/N 2345B AND ABOVE

NO. Column

Unique Symbols — All items with same unique symbol

(@, #, +, %, or >) in the number column belong to the same assembly or kit, which is indicated by a note in the “Remarks” column.

Duplicate Item Numbers — Duplicate numbers indicate multiple part numbers, which are in effect for the same general item, such as different size saw blade guards in use or a part that has been updated on newer versions of the same machine.

NOTICE

When ordering a part that has more than one item number listed, check the remarks column for help in determining the proper part to order.

PART NO. Column

Numbers Used — Part numbers can be indicated by a number, a blank entry, or TBD.

TBD (To Be Determined) is generally used to show a part that has not been assigned a formal part number at the time of publication.

A blank entry generally indicates that the item is not sold separately or is not sold by Multiquip. Other entries will be clarified in the “Remarks” Column.

QTY. Column

Numbers Used — Item quantity can be indicated by a number, a blank entry, or A/R.

A/R (As Required) is generally used for hoses or other parts that are sold in bulk and cut to length.

A blank entry generally indicates that the item is not sold separately. Other entries will be clarified in the “Remarks” Column.

REMARKS Column

Some of the most common notes found in the “Remarks” Column are listed below. Other additional notes needed to describe the item can also be shown.

Assembly/Kit — All items on the parts list with the same unique symbol will be included when this item is purchased.

Indicated by:

“INCLUDES ITEMS W/(unique symbol)”

Serial Number Break — Used to list an effective serial number range where a particular part is used.

Indicated by:

“S/N XXXXX AND BELOW”

“S/N XXXX AND ABOVE”

“S/N XXXX TO S/N XXX”

Specific Model Number Use — Indicates that the part is used only with the specific model number or model number variant listed. It can also be used to show a part is NOT used on a specific model or model number variant.

Indicated by:

“XXXXX ONLY”

“NOT USED ON XXXX”

“Make/Obtain Locally” — Indicates that the part can be purchased at any hardware shop or made out of available items. Examples include battery cables, shims, and certain washers and nuts.

“Not Sold Separately” — Indicates that an item cannot be purchased as a separate item and is either part of an assembly/kit that can be purchased, or is not available for sale through Multiquip.

SUGGESTED SPARE PARTS

WM70P/S PLASTER MOTOR MIXER

1 to 3 units

Qty.	P/N	Description
6	491010	LATCH KIT, CABINET
1	EM202899	PADDLE ARM, TOW END
1	EM202897	PADDLE ARM CTR.TOW END
1	EM202896	PADDLE ARM CTR.ENG END
1	EM202898	PADDLE ARM, ENGINE END
4	EM200297	U-BOLT
3	EM204624	BLADE KIT, RUBBER
3	EM203010	BLADE KIT, STEEL
2	EM914288	OIL SEAL, AXLE
2	EM903113	BEARING, CONE, AXLE
2	EM903112	BEARING, CUP, AXLE
2	20654-001	SEAL, PADDLE SHAFT
2	530029	RING, RETENTION
2	20104-002	SEAL, SHAFT URETHANE
6	508473	V-BELT A37, 5.0 HP
6	505834	V-BELT A36, 8.0 HP
6	491112	V-BELT A40, ELECT. MOTOR
2	29173-001	SWITCH, STOP

NOTICE

Part numbers on this Suggested Spare Parts list may supersede/replace the part numbers shown in the following parts lists.

HONDA GX160/240 SERIES ENGINES

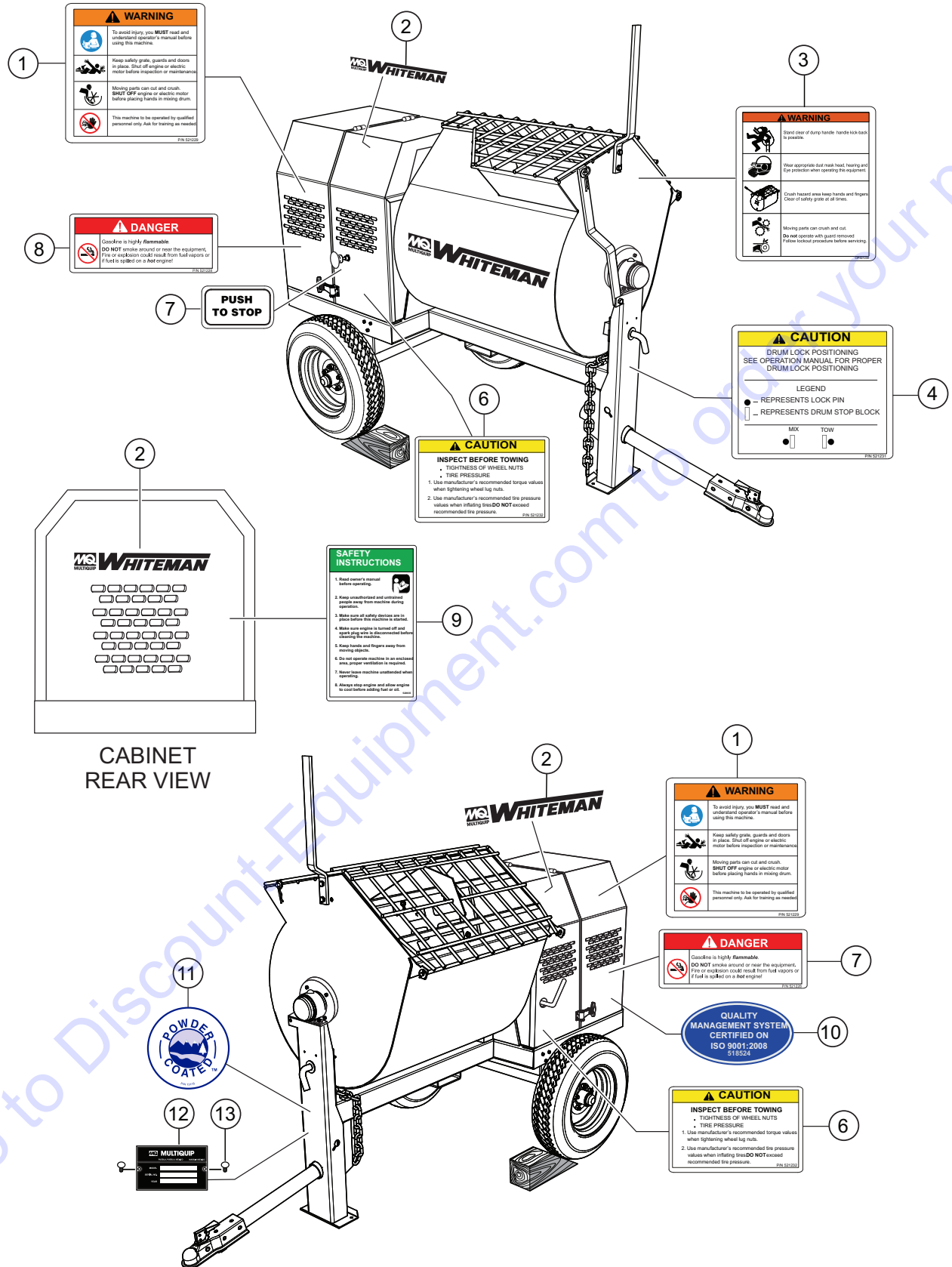
1 to 3 units

3	9807956846	SPARK PLUG
3	9807955846	SPARK PLUG
1	17620ZH7023	TANK CAP
1	17620Z4H020	TANK CAP
3	17210ZE1517	AIR CLEANER ELEMENT
3	17210ZE1822	AIR CLEANER ELEMENT
3	17210ZE2822	AIR CLEANER ELEMENT
3	17218ZE1505	AIR FILTER, OUTER
3	17218ZE1821	AIR FILTER, OUTER
1	28462ZH8003	ROPE, RECOIL
1	28462ZE2W11	ROPE, RECOIL
3	17672ZE2W01	FILTER, FUEL
3	17672880000	FILTER, FUEL
3	17672Z4H000	FILTER, FUEL

NOTICE

- ◆ HONDA GX160K1HX2
- ♣ HONDA GX160UT1HX2
- ♣ HONDA GX240K1HA2 (~S/N 3190917)
- ▶ HONDA GX240K1HA2 (S/N 3118370 ~ 3190916)
- ◇ HONDA GX240UT1HA2

NAMEPLATE AND DECALS ASSY.

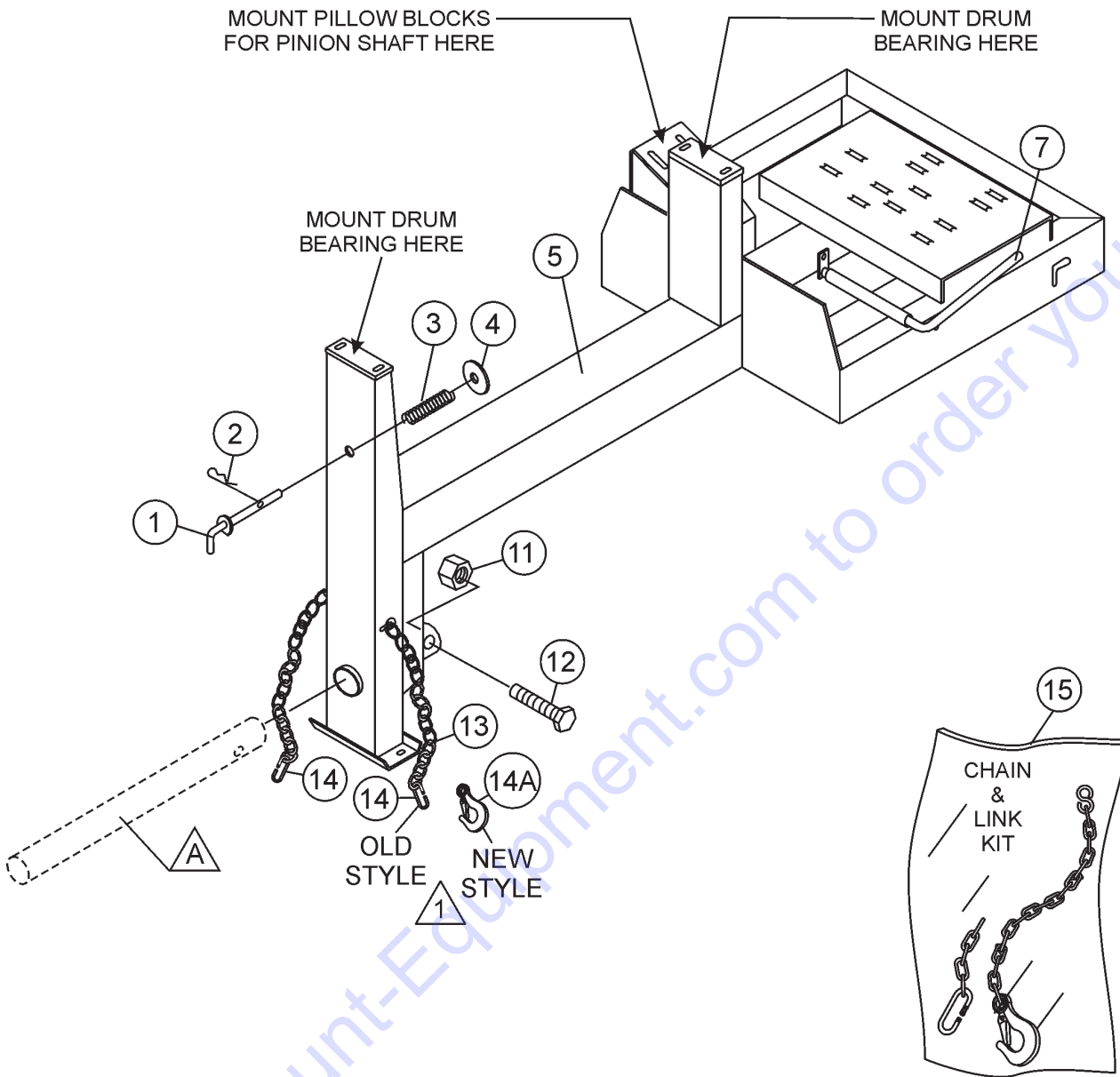


NAMEPLATE AND DECALS ASSY.

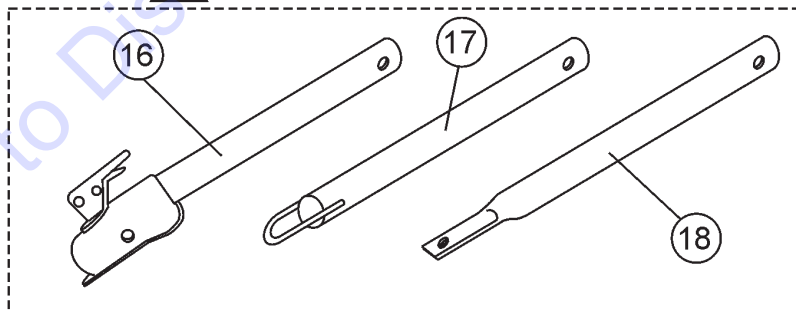
<u>NO.</u>	<u>PART NO.</u>	<u>PART NAME</u>	<u>QTY.</u>	<u>REMARKS</u>
1	521229	DECAL; WARNING, BODILY INJURY	2	
2	515275	DECAL; MQ WHITEMAN (SMALL)	3	
3	521230	DECAL; WARNING, PREVENT ACCIDENTS	1	
4	521231	DECAL; DRUM LOCK POSITION	1	
5	504714	DECAL; MQ WHITEMAN (LARGE)	1	
6	521232	DECAL; CAUTION INSPECT BEFORE TOW	2	
7	948630	DECAL; PUSH TO STOP	1	
8	521228	DECAL; DANGER, NO SMOKING	2	
9	520935	DECAL; SAFETY INSTRUCTIONS	1	
10	518524	DECAL; ISO 9001:2000 EXPORT	1	
11	13118	DECAL; POWDER COATED	1	
12		NAMEPLATE.....	1	CONTACT DISCOUNT-EQUIPMENT.
13	503723	RIVET; ID PLATE	2	

Go to Discount-Equipment.com to order your parts

FRAME ASSY.



A OPTIONAL TOW BARS

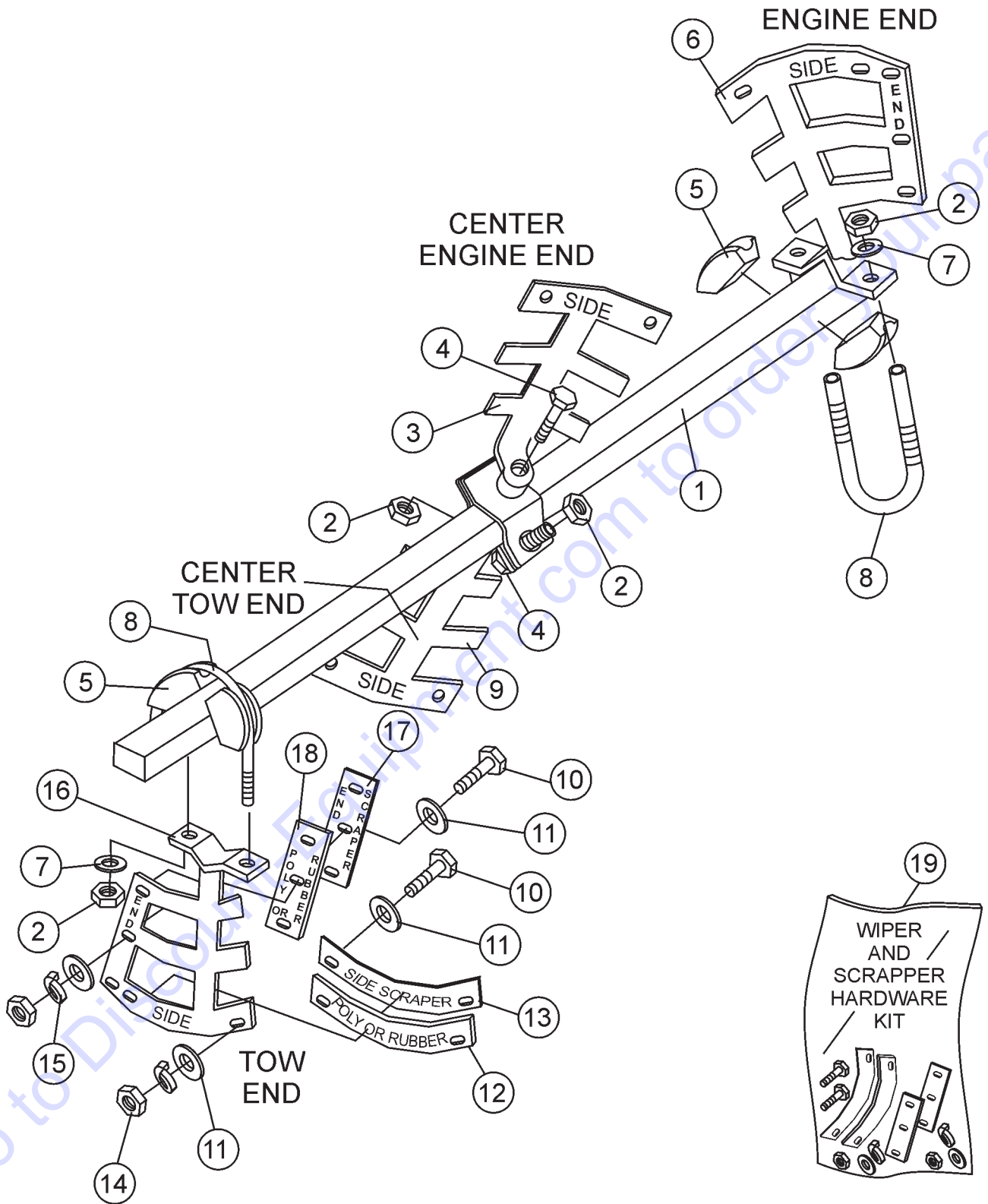


1 Quantity of item 14, Connector Link, changed from 2 to 1 in January 2006. Item 14A, Clevis Safety Hook, replaces discontinued Connector Link.

FRAME ASSY.

<u>NO.</u>	<u>PART NO.</u>	<u>PART NAME</u>	<u>QTY.</u>	<u>REMARKS</u>
1	514842	LOCK PIN UNIT	1	
2	491692	COTTER PIN	1	
3	530023	SPRING LOCKING PIN	1	
4	507444	WASHER, FLAT 3/4"	1	
5	514835	MAIN FRAME	1	
7	514836	HANDLE, CLUTCH ENGAGE	1	
11	10176	LOCK NUT 1/2" NC	1	
12	EM124	BOLT 1/2"-13 X 4 G5	1	
13%		SAFETY CHAIN	1	
14%	01004	CONNECTOR LINK.....	2.....	BEFORE JANUARY 2006
14%	01004	CONNECTOR LINK.....	1.....	AFTER JANUARY 2006
14A%	516580	CLEVIS SAFETY HOOK.....	1.....	AFTER JANUARY 2006
15	13363KIT	CHAIN AND LINK KIT.....	1.....	INCLUDES ITEMS W/%
16	HBC-1	BALL HITCH 2-INCH	1.....	CONTACT DISCOUNT-EQUIPMENT
17	HLC-1	LOOP HITCH.....	1.....	CONTACT DISCOUNT-EQUIPMENT
18	HPC-1	PIN HITCH 1-INCH.....	1.....	CONTACT DISCOUNT-EQUIPMENT

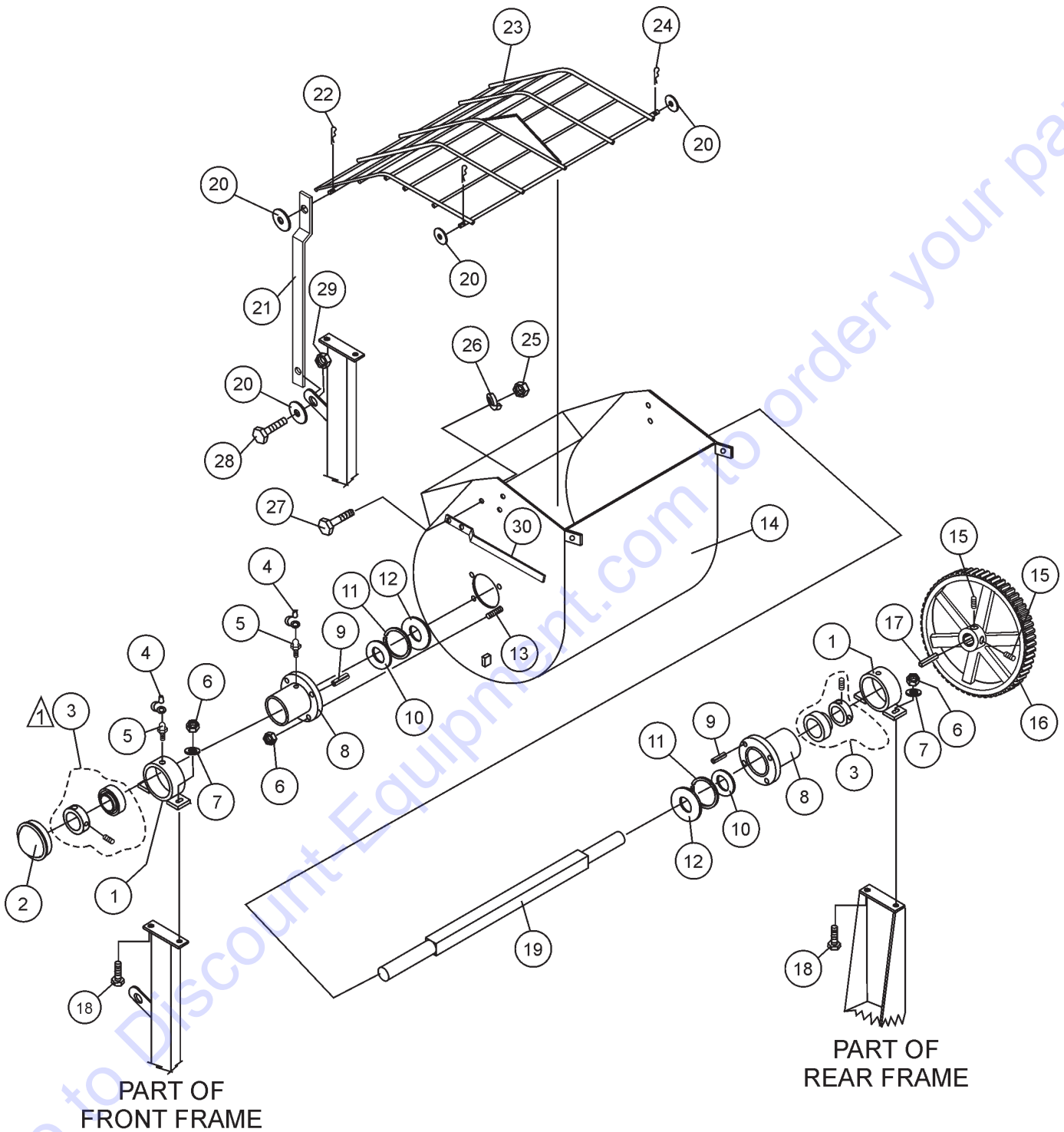
PADDLE SHAFT ASSY.



PADDLE SHAFT ASSY.

<u>NO.</u>	<u>PART NO.</u>	<u>PART NAME</u>	<u>QTY.</u>	<u>REMARKS</u>
1	514752	PADDLE SHAFT	1	
2	492584	NUT, LOCK 1/2"	6	
3	EM202896	PADDLE ARM, CENTER ENGINE END	1	
4	EM963110	BOLT, 1/2-13 X 3-3/4"	2	
5	EM200292	INSERT, PADDLE ARM	4	
6	EM202898	PADDLE ARM, ENGINE END	1	
7	504322	WASHER, FLAT 1/2"	6	
8	EM200297	U-BOLT, END PADDLES	2	
9	EM202897	PADDLE ARM, CENTER TOW END	1	
10%#	492367	SCREW, HHC 5/16-18 X 1-3/4 G5	14	
11%#	EM923023	WASHER, FLAT 5/16"	28	
12#	EM507497	BLADE, SIDE, POLY.....	4	PLASTIC DRUM
12%	EM202929	BLADE, SIDE, RUBBER.....	4	STEEL DRUM
13%#	EM202928	BLADE, SIDE, SCRAPPER.....	4	STEEL & PLASTIC DRUM
14%#	2105164	NUT, HEX 5/16" NC G5	14	
15%	EM923343	WASHER, LOCK 5/16"	14	
16	EM202899	PADDLE ARM, TOW END	1	
17%#	EM202927	BLADE, SCRAPPER END.....	4	STEEL & PLASTIC DRUM
18#	EM507496	BLADE, PLASTIC END.....	4	PLASTIC DRUM
18%	EM202926	BLADE, RUBBER END.....	4	STEEL DRUM
19	EM203010	KIT, WIPERS, SCRAPPERS & HDWARE.....	1	INCLUDES ITEMS W/% STEEL DRUM
19	EM204624	KIT, WIPERS, SCRAPPERS & HDWARE.....	1	INCLUDES ITEMS W/# PLASTIC DRUM

STEEL DRUM ASSY.



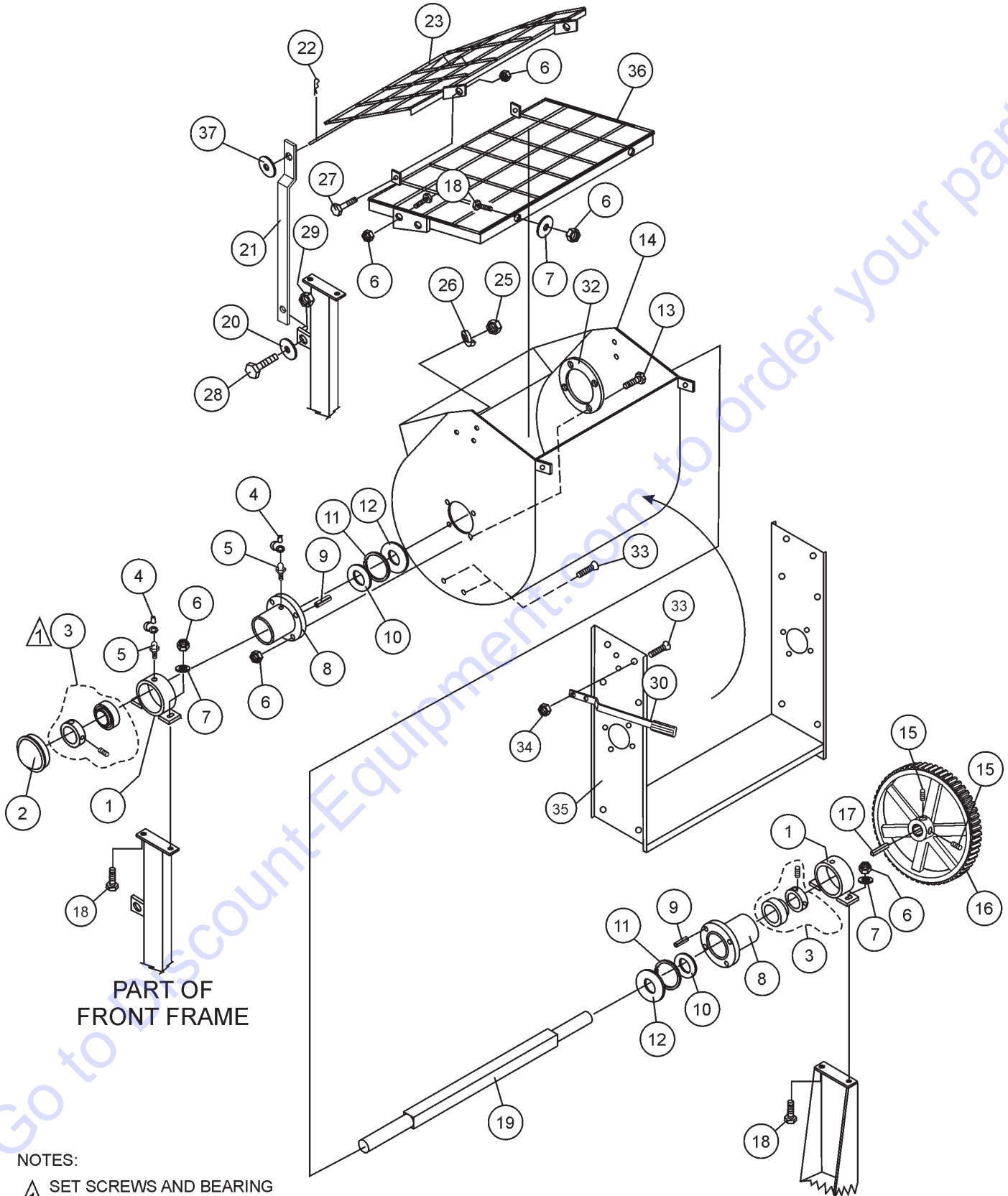
NOTES:

- ⚠ SET SCREWS AND BEARING COLLAR ARE INCLUDED WITH BEARING AND CANNOT BE PURCHASED SEPARATELY.

STEEL DRUM ASSY.

<u>NO.</u>	<u>PART NO.</u>	<u>PART NAME</u>	<u>QTY.</u>	<u>REMARKS</u>
1	530028	DRUM BEARING BRACKET	2	
2	3249	CAP, DUST	1	
3	20561-001	BEARING SEALED.....	2.....	SET SCREWS AND BEARING COLLAR CANNOT BE PURCHASED SEPARATELY
4	491008	CAP, GREASE FITTING	2	
5	EM916019	FITTING, GREASE	2	
6	EM969013	NUT, LOCK 3/8"	12	
7	3019092	WASHER, FLAT 3/8"	4	
8	514778	TRUNNION HUB	2	
9	513453	ROLL PIN 3/16" X 3/4"	2	
10	20654-001	SEAL, SHAFT (BLACK)	2	
11	530029	RING, RETENTION	2	
12	20104-002	SEAL, SHAFT URETHANE (YELLOW)	2	
13	504943	BOLT, FHCS 3/8" NC X 2" G5	8	
14	514749	DRUM, STEEL	1	
15	EM961019	SET SCREW	2	
16	530043	MAIN GEAR	1	
17	501016	KEY, 3/8" X 88 MM	1	
18	17985-012	CARRIAGE BOLT 3/8-16 X 1-1/2"	4	
19	514752	SHAFT, PADDLE	1	
20	492600	WASHER, FLAT 1/2"	4	
21	514986	LIFT BAR	1	
22	EM925191	PIN, COTTER	1	
23	514962	GRATE	1	
24	505070	PIN, COTTER	2	
25	6109160	HEX NUT 1/2" G5	2	
26	6109180	WASHER, LOCK 1/2"	2	
27	EM963692	BOLT 1/2" UNC 1-1/2"	2	
28	EM963102	CAPSCREW, HHCS 1/2" NC X 1-1/4"	1	
29	492584	NUT, LOCK 1/2" NC	1	
30	EM201537	HANDLE DUMP	1	

PLASTIC DRUM ASSY.



PART OF
FRONT FRAME

PART OF
REAR FRAME

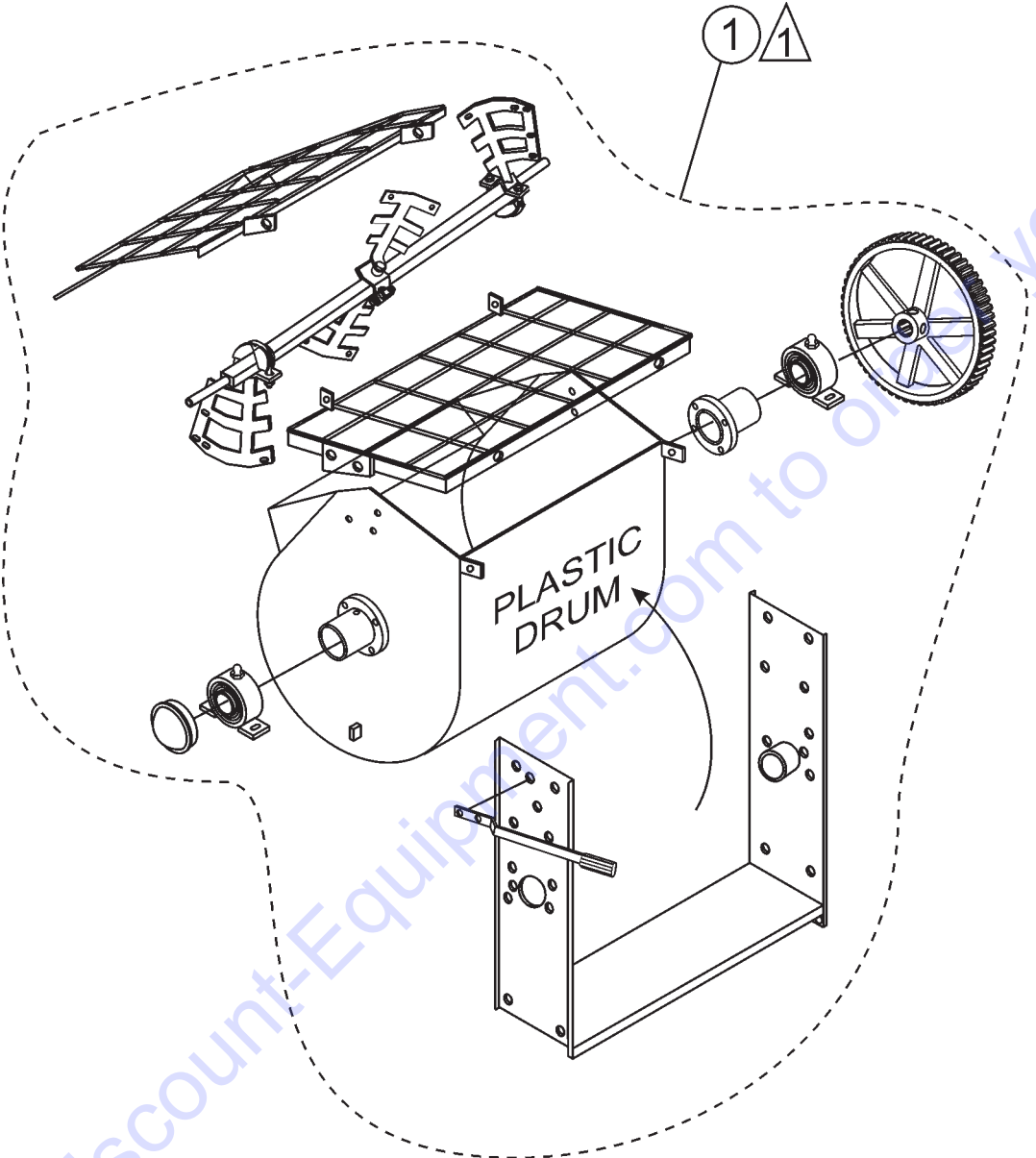
NOTES:

- ⚠ SET SCREWS AND BEARING COLLAR ARE INCLUDED WITH BEARING AND CANNOT BE PURCHASED SEPARATELY.

PLASTIC DRUM ASSY.

<u>NO.</u>	<u>PART NO.</u>	<u>PART NAME</u>	<u>QTY.</u>	<u>REMARKS</u>
1	530028	DRUM BEARING BRACKET	2	
2	3249	CAP, DUST	1	
3	20561-001	BEARING SEALED.....	2.....	SET SCREWS AND BEARING COLLAR CANNOT BE PURCHASED SEPARATELY
4	491008	CAP, GREASE FITTING	2	
5	EM916019	FITTING, GREASE	2	
6	EM969013	NUT, LOCK 3/8"	20	
7	3019092	WASHER, FLAT 3/8"	6	
8	514778	TRUNNION HUB	2	
9	513453	ROLL PIN 3/16" X 3/4"	2	
10	20654-001	SEAL, SHAFT (BLACK)	2	
11	530029	RING, RETENTION	2	
12	20104-002	SEAL, SHAFT URETHANE (YELLOW)	2	
13	504943	BOLT, FHCS 3/8" NC X 2" G5	8	
14	515053	DRUM, PLASTIC	1	
15	EM961019	SET SCREW	2	
16	530043	MAIN GEAR	1	
17	501016	KEY, 3/8" X 88 MM	1	
18	17985-012	CARRIAGE BOLT 3/8-16 X 1-1/2"	4	
19	514752	SHAFT, PADDLE	1	
20	492600	WASHER, FLAT 1/2"	1	
21	514987	LIFT BAR	1	
22	EM925191	PIN, COTTER	1	
23	504535	GRATE, MOVABLE	1	
24	505070	PIN, COTTER	2	
25	6109160	HEX NUT 1/2" G5	2	
26	6109180	WASHER, LOCK 1/2"	2	
27	EM963692	BOLT 1/2" UNC 1-1/2"	2	
28	EM963102	CAPSCREW, HHCS 1/2" NC X 1-1/4"	1	
29	492584	NUT, LOCK 1/2" NC	1	
30	EM201537	HANDLE DUMP	1	
32	515033	RETAINING RING	1	
33	511910	BOLT 1/4" NC X 1-1/4" G5	8	
34	2101428	NUT 1/4" NC	8	
35	514934	U-SUPPORT PLASTIC DRUM	1	
36	504534	GRATE, STATIONARY	1	
37	0401450160	WASHER, FLAT 5/8"	1	

DRUM AND PADDLE SHAFT COMPLETE ASSY. (PLASTIC)

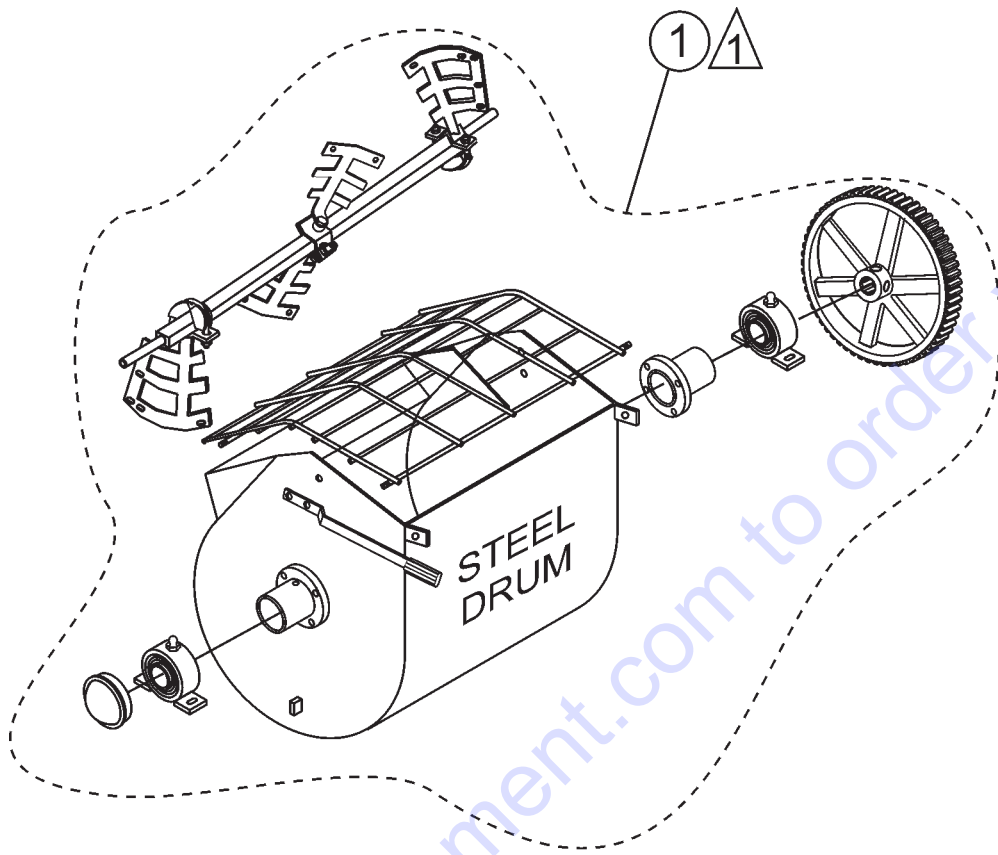


NOTES:
1 COMPLETE DRUM AND PADDLE
SHAFT ASSEMBLIES ARE INCLUDED
WITHIN DASHED LINES.

DRUM AND PADDLE SHAFT COMPLETE ASSY. (PLASTIC)

NO.	PART NO.	PART NAME	QTY.	REMARKS
1	516062	DRUM AND SHAFT COMPLETE ASSY.....	1	INCLUDES ALL ITEMS BELOW
	530028	DRUM BEARING BRACKET	2	
	3249	CAP, DUST	1	
	20561-001	BEARING SEALED	2	
	491008	CAP, GREASE FITTING	2	
	EM916019	FITTING, GREASE	2	
	EM969013	NUT, LOCK 3/8"	20	
	3019092	WASHER, FLAT 3/8"	6	
	514778	TRUNNION HUB	2	
	513453	ROLL PIN 3/16" X 3/4"	2	
	20654-001	SEAL, SHAFT (BLACK)	2	
	530029	RING, RETENTION	2	
	20104-002	SEAL, SHAFT URETHANE (YELLOW)	2	
	513452	BOLT 3/8" NC X 1/4" G5	8	
	515053	DRUM, PLASTIC	1	
	492484	SET SCREW	2	
	530043	MAIN GEAR	1	
	500432	KEY, 3/8" X 50 MM	1	
	EM963057	CAPSCREW HHCS 3/8 X 1-1/2"	4	
	514752	SHAFT, PADDLE	1	
	504535	GRATE, MOVABLE	1	
	505070	PIN COTTER	2	
	492556	HEX NUT 1/2" G5	2	
	6109180	WASHER, LOCK 1/2"	2	
	EM963692	BOLT 1/2" UNC 1-1/2"	2	
	514752	PADDLE SHAFT	1	
	492584	NUT, LOCK 1/2"	6	
	EM202896	PADDLE ARM, CENTER ENGINE END	1	
	510721	BOLT, 1/2 " X 6" G5	2	
	EM200292	INSERT, PADDLE ARM	4	
	EM202898	PADDLE ARM, ENGINE END	1	
	504322	WASHER, FLAT 1/2"	6	
	EM200297	U-BOLT, END PADDLES	2	
	EM202897	PADDLE ARM, CENTER TOW END	1	
	492367	SCREW, HHC 5/16-18 X 1-3/4 G5	14	
	EM923023	WASHER, FLAT 5/16"	28	
	EM507497	BLADE, SIDE, POLY	4	
	EM202899	BLADE, SIDE, SCRAPPER	4	
	2105164	NUT, HEX 5/16" NC G5	14	
	EM923343	WASHER, LOCK 5/15"	14	
	EM202899	PADDLE ARM, TOW END	1	
	EM202927	BLADE ,SCRAPPER END	4	
	EM507496	BLADE, PLASTIC END	4	

DRUM AND PADDLE SHAFT COMPLETE ASSY. (STEEL)



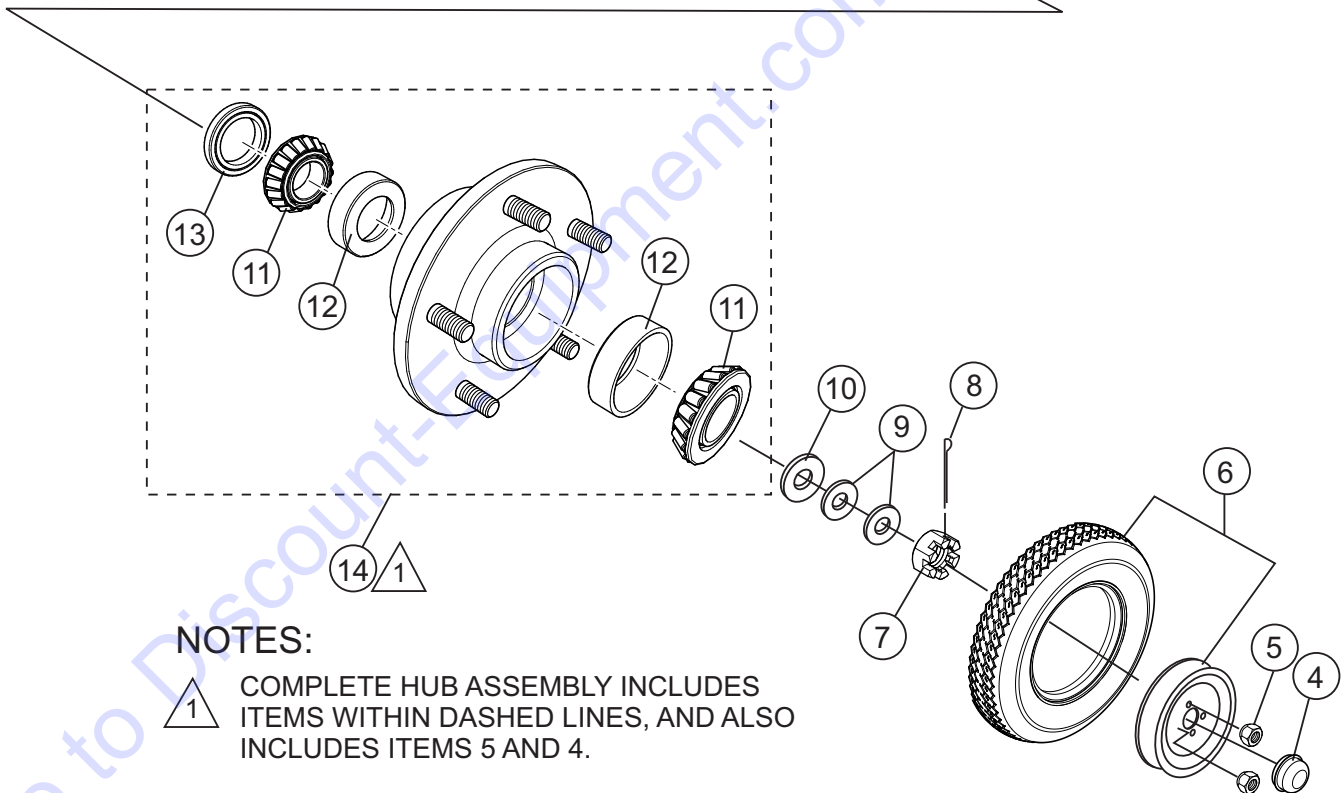
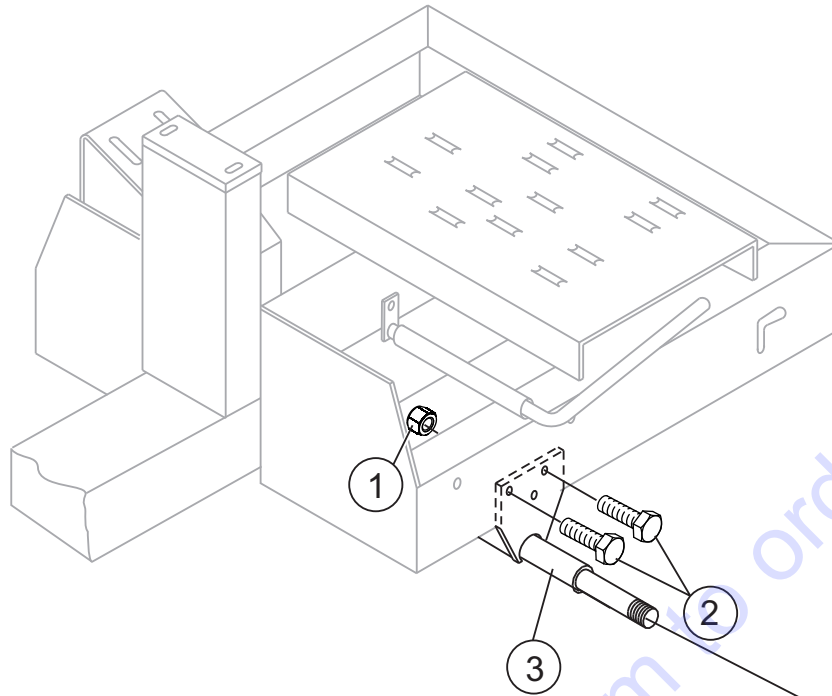
NOTES:

- 1 COMPLETE DRUM AND PADDLE
SHAFT ASSEMBLIES ARE INCLUDED
WITHIN DASHED LINES.

DRUM AND PADDLE SHAFT COMPLETE ASSY. (STEEL)

NO.	PART NO.	PART NAME	QTY.	REMARKS
1	516061	DRUM AND SHAFT COMPLETE ASSY.....	1	INCLUDES ALL ITEMS BELOW
	530028	DRUM BEARING BRACKET	2	
	3249	CAP, DUST	1	
	20561-001	BEARING SEALED	2	
	491008	CAP, GREASE FITTING	2	
	EM916019	FITTING, GREASE	2	
	EM969013	NUT, LOCK 3/8"	12	
	3019092	WASHER, FLAT 3/8"	4	
	514778	TRUNNION HUB	2	
	513453	ROLL PIN 3/16" X 3/4"	2	
	20654-001	SEAL, SHAFT (BLACK)	2	
	530029	RING, RETENTION	2	
	20104-002	SEAL, SHAFT URETHANE (YELLOW)	2	
	504943	BOLT 3/8" NC X 2" G5	8	
	514749	DRUM, STEEL	1	
	492484	SET SCREW	2	
	530043	MAIN GEAR	1	
	501016	KEY, 3/8" X 88 MM	1	
	EM963057	CAPSCREW HHCS 3/8 X 1-1/2"	4	
	514752	SHAFT, PADDLE	1	
	492600	WASHER, FLAT 1/2"	2	
	514962	GRATE	1	
	505070	PIN COTTER	2	
	492556	HEX NUT 1/2" G5	2	
	6109180	WASHER, LOCK 1/2"	2	
	EM963692	BOLT 1/2" UNC 1-1/2"	2	
	EM201537	HANDLE DUMP	1	
	EM98195	GRIP, DUMP HANDLE	1	
	514752	PADDLE SHAFT	1	
	492584	NUT, LOCK 1/2"	6	
	EM202896	PADDLE ARM, CENTER ENGINE END	1	
	510721	BOLT, 1/2 " X 6" G5	2	
	EM200292	INSERT, PADDLE ARM	4	
	EM202898	PADDLE ARM, ENGINE END	1	
	504322	WASHER, FLAT 1/2"	6	
	EM200297	U-BOLT, END PADDLES	2	
	EM202897	PADDLE ARM, CENTER TOW END	1	
	492367	SCREW, HHC 5/16-18 X 1-3/4 G5	14	
	EM923023	WASHER, FLAT 5/16"	28	
	EM202929	BLADE, SIDE, RUBBER	4	
	EM202899	BLADE, SIDE, SCRAPPER	4	
	2105164	NUT, HEX 5/16" NC G5	14	
	EM923343	WASHER, LOCK 5/15"	14	
	EM202899	PADDLE ARM, TOW END	1	
	EM202927	BLADE ,SCRAPPER END	4	
	EM202926	BLADE, RUBBER END	4	

AXLE ASSY.



NOTES:

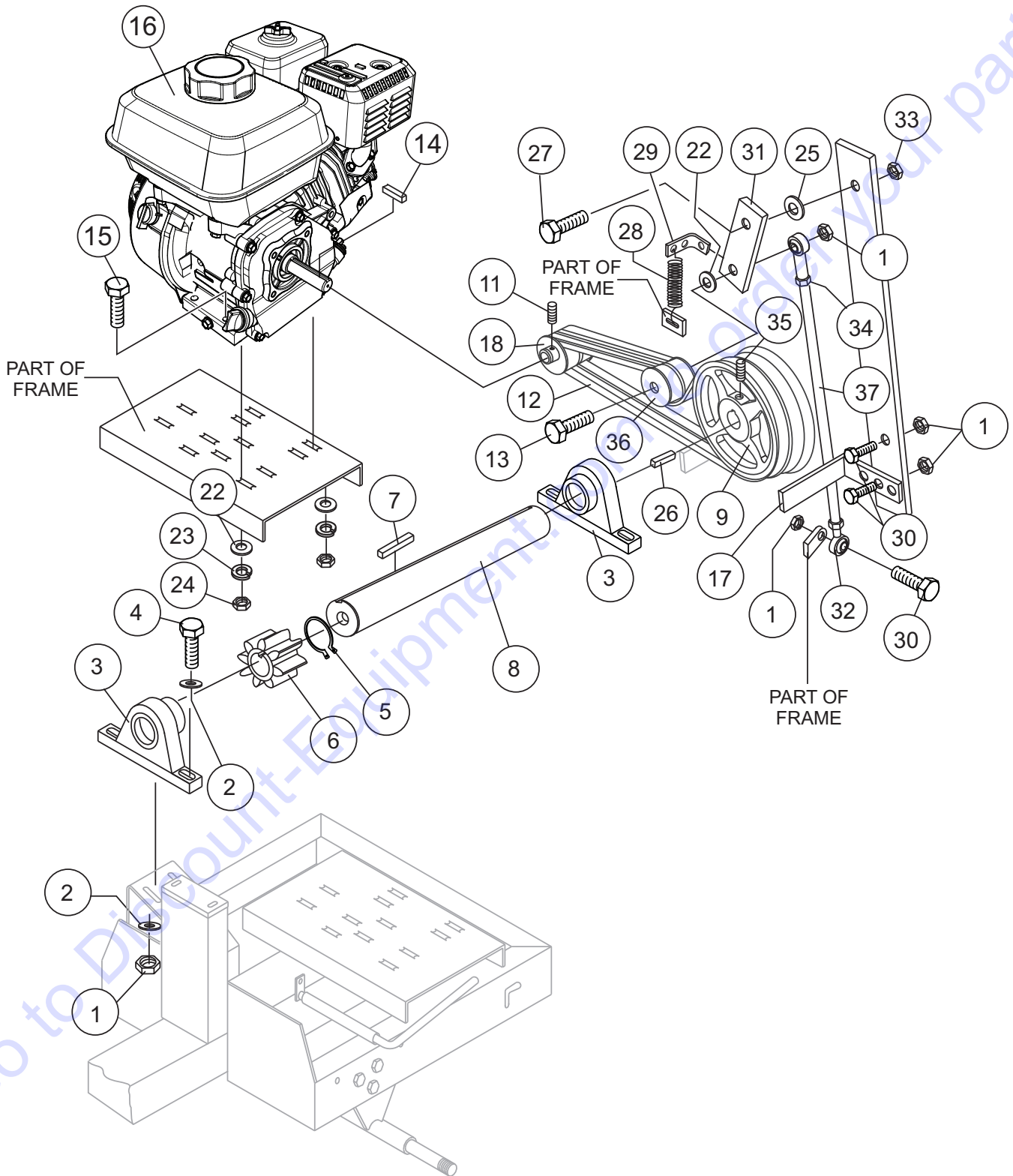
- 1 COMPLETE HUB ASSEMBLY INCLUDES ITEMS WITHIN DASHED LINES, AND ALSO INCLUDES ITEMS 5 AND 4.

AXLE ASSY.

<u>NO.</u>	<u>PART NO.</u>	<u>PART NAME</u>	<u>QTY.</u>	<u>REMARKS</u>
1	492584	NUT, LOCK 1/2"	6	
2	EM963692	BOLT 1/2" UNC 1-1/2"	6	
3	514802	AXLE, UNIVERSAL	1	
4#	3469	DUST CAP	2	
5#	8115	LUG NUTS	8	
6	516476	TIRE AND RIM	2	
7	8164	CASTLE NUT 1"	2	
8	491688	COTTER PIN 1/8" X 1-1/2"	2	
9	EM501299	WASHER, FLAT, .135" THICKNESS	4	
10	EM511159	WASHER, FLAT, .087" THICKNESS	2	
11#	EM903113	BEARING CONE	4	
12#	EM903012	BEARING CUP	4	
13#	EM914288	OIL SEAL	2	
14	EM941306	HUB ASSY., 4-BOLT	2.....	INCLUDES ITEMS W/#

Go to Discount-Equipment.com to order your parts

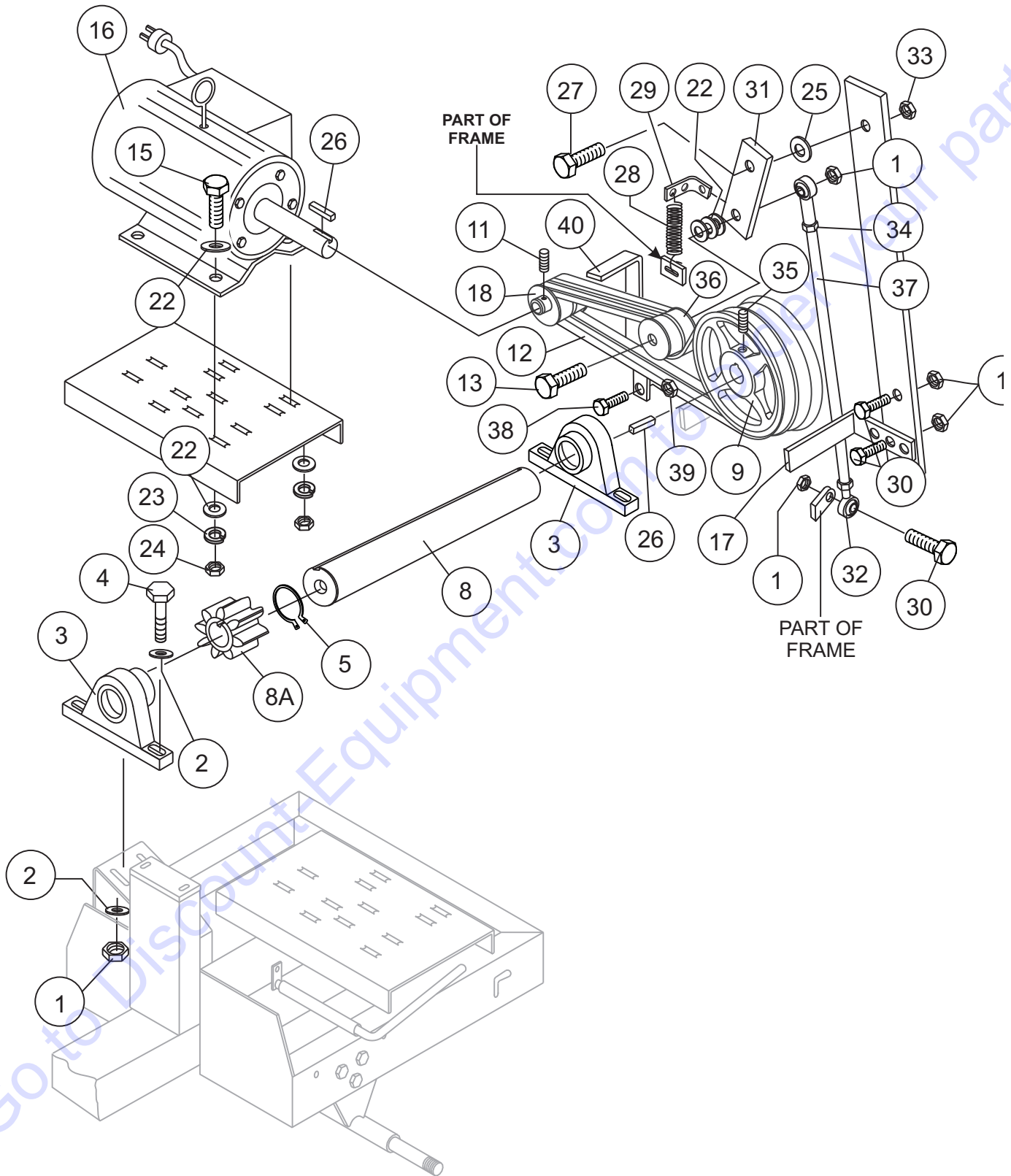
ENGINE ASSY.



ENGINE ASSY.

<u>NO.</u>	<u>PART NO.</u>	<u>PART NAME</u>	<u>QTY.</u>	<u>REMARKS</u>
1	EM969013	NUT 3/8" NC G5	8.....	REPLACES P/N 492583
2	506488	FLAT WASHER 3/8	8	
3	EM905016	PILLOW BLOCK BEARING	2	
4	492378	BOLT 3/8" NC X 1-3/4" G5	4	
5	490957	RING, RETENTION	1	
6	513868	PINION GEAR	1	
7	500214	KEY, 1/4" X 30 MM	1	
8	EM502226	PINION SHAFT	1.....	REPLACES P/N 502226
9	492057	PULLEY (LARGE)	1	
10	505084	KEY, 1/4" X 55 MM	1	
11	492467	SET SCREW, 5/16" NC 3/8"	4	
12	070100370	V-BELT, A-37, HONDA 5.5 HP	2.....	REPLACES P/N 508473
12	505834	V-BELT, A-36, HONDA 8.0 HP	2	
13	503117	BOLT, 3/8" NC X 3" G5	1	
14	501019	SQ. KEY 3/16" X 45 MM 5.5 HP	1	
14	90745ZE2600	SQ. KEY 6.3 X 6.3 X 43 MM 8.0 HP	1	
15	492367	BOLT 5/16" NC X 1-3/4" G5.....	4.....	HONDA 5.5 HP
15	492378	BOLT 3/8" NC X 1-3/4" G5.....	4.....	HONDA 8.0 HP
16	GX160UT1HX2	ENGINE, HONDA 5.5 HP	1.....	REPLACES P/N GX160K1HX2
16	GX240UT1HA2	ENGINE, HONDA 8.0 HP	1.....	REPLACES P/N GX240K1HA2
17	515040	BELT RETAINER BAR	1	
18	492055	PULLEY, (SMALL), HONDA 5.5 HP	1	
18	EM901074	PULLEY, (SMALL), HONDA 8.0 HP	1	
22	EM923023	WASHER, FLAT 5/16", HONDA 5.5 HP	6.....	REPLACES P/N 492597
22	492598	WASHER, FLAT 3/8".....	6.....	HONDA 8.0 HP
23	492623	WASHER, LOCK 5/16"	4.....	HONDA 5.5 HP
23	492624	WASHER, LOCK 3/8"	4.....	HONDA 8.0 HP
24	492553	NUT, HEX 5/16"	4.....	HONDA 5.5 HP
24	492554	NUT, HEX 3/8"	4.....	HONDA 8.0 HP
25	492600	WASHER, FLAT 1/2"	1	
26	505084	SQ. KEY, 1/4" X 55 MM	1	
27	492394	BOLT 1/2" NC X 1-1/2" G5	1	
28	EM102014	SPRING, EXTENSION	1	
29	EM203098	SPRING CLIP	1	
30	492313	BOLT 3/8" NC X 1-1/2" G5	3	
31	EM507713	ARM, IDLER	1.....	HONDA 5.5 HP
31	EM507491	ARM, IDLER	1.....	HONDA 8.0 HP
32	EM959080	ROD-END	2	
33	492584	NUT, HEX 1/2"	1	
34	492574	NUT, HEX 3/8" NF G5	2	
35	492476	SET SCREW, 5/16" NC 3/4"	1	
36	EM901515	PULLEY, IDLER	1	
37	515299	ROD	1.....	HONDA 5.5 HP
37	515045	ROD	1.....	HONDA 8.0 HP

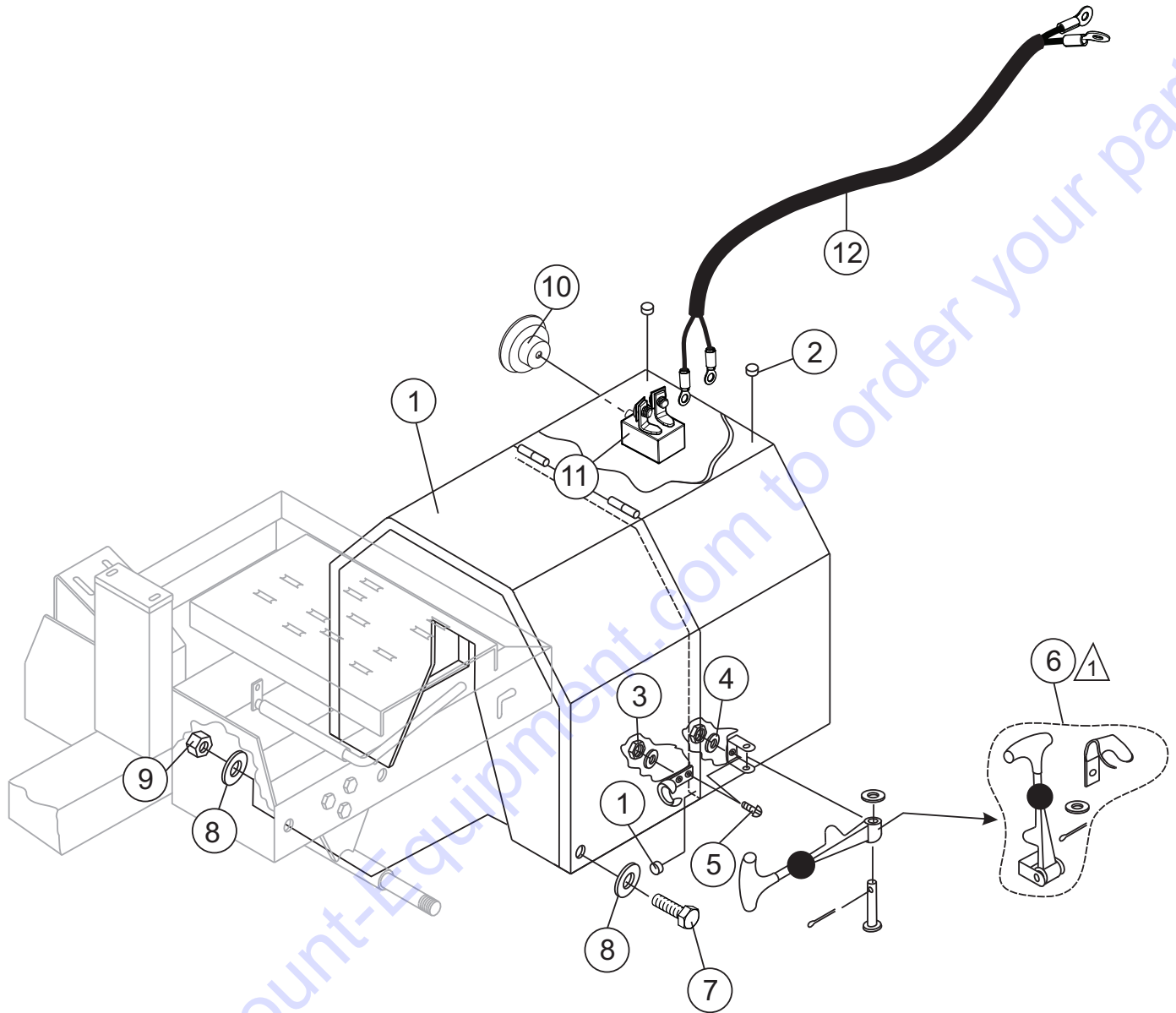
ELECTRIC MOTOR ASSY. (1Ø 120/240 VAC, 60 HZ.)



ELECTRIC MOTOR ASSY. (1Ø 120/240 VAC, 60 HZ.)

<u>NO.</u>	<u>PART NO.</u>	<u>PART NAME</u>	<u>QTY.</u>	<u>REMARKS</u>
1	492583	NUT 3/8" NC G5	8	
2	506488	FLAT WASHER 3/8	8	
3	EM905016	PILLOW BLOCK BEARING	2	
4	492378	BOLT 3/8" NC X 1-3/4" G5	4	
5	490957	RING, RETENTION	1	
8	EM50226	PINION SHAFT	1	
8A	EM513868	PINION	1	
9	505204	PULLEY (LARGE)	1	
10	505084	KEY, 1/4" X 55 MM	1	
11	492467	SET SCREW, 5/16" NC 3/8"	4	
12	507725	V-BELT, A-48	2	
13	503117	BOLT, 3/8" NC X 3" G5	1	
15	492378	BOLT 3/8" NC X 1-3/4" G5	4	
16	35L229S302	ELECTRIC MOTOR 1.5 HP	1	
17	515040	BELT RETAINER BAR	1	
18	502213	PULLEY, (SMALL)	1	
22	492598	WASHER, FLAT 3/8"	5	
23	492624	WASHER, LOCK 3/8"	4	
24	492554	NUT, HEX 3/8"	4	
25	492600	WASHER, FLAT 1/2"	1	
26	505084	KEY, 1/4" X 55 MM	1	
27	492394	BOLT 1/2" NC X 1-1/2" G5	1	
28	EM102014	SPRING, EXTENSION	1	
29	EM203098	SPRING CLIP	1	
30	492313	BOLT 3/8" NC X 1-1/2" G5	3	
31	515300	ARM, IDLER	1	
32	959080	ROD-END	2	
33	492584	NUT, HEX 1/2"	1	
34	492574	NUT, HEX 3/8" NF G5	2	
35	492476	SET SCREW, 5/16" NC 3/4"	1	
36	EM901515	PULLEY, IDLER	1	
37	515045	ROD	1	
38	492364	BOLT, 5/16" NC X 1" G5	1	
39	492554	NUT, HEX 3/8"	4	
40	515365	BELT RETAINER BAR	1	

CABINET ASSY.

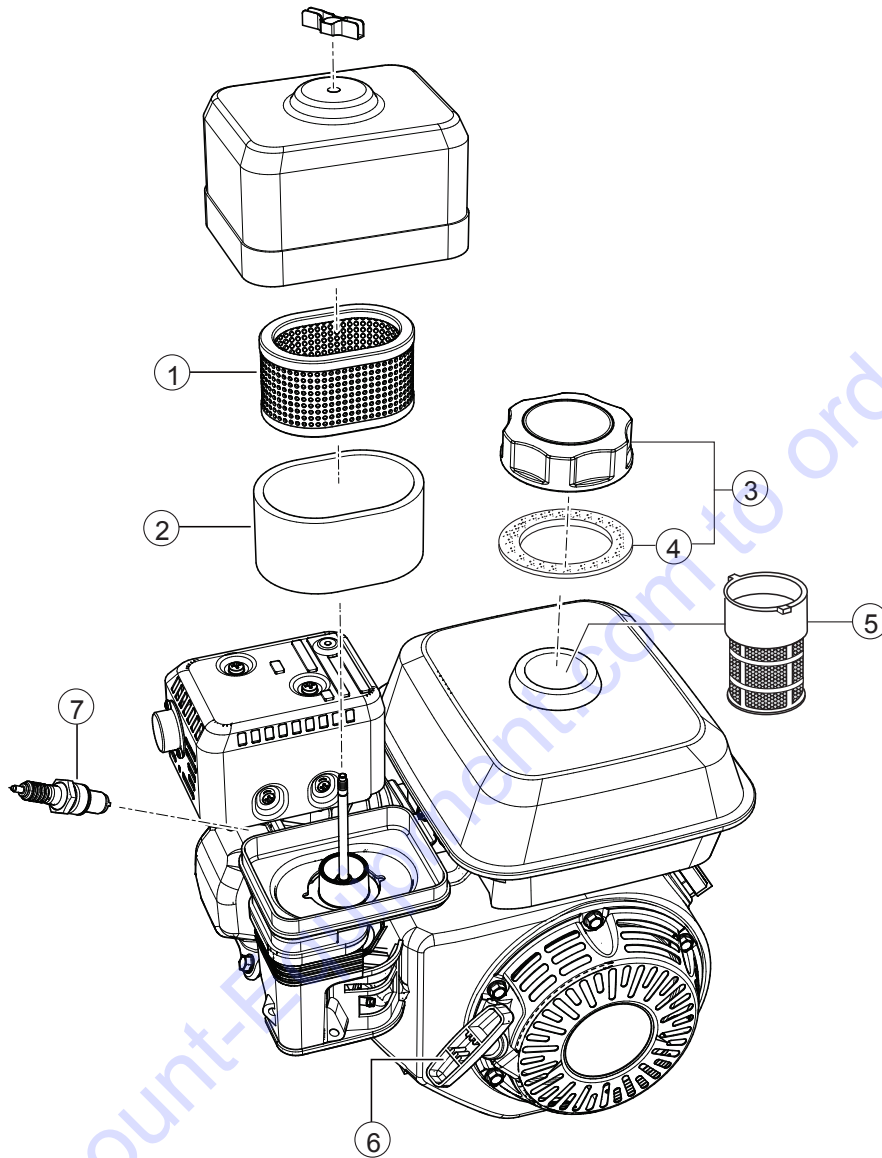


CABINET ASSY.

<u>NO.</u>	<u>PART NO.</u>	<u>PART NAME</u>	<u>QTY.</u>	<u>REMARKS</u>
1	514964	CABINET, GASOLINE ENGINE W/DECALS	1	INCLUDES ITEMS W/%
1	516585	CABINET, ELECTRIC MOTOR W/DECALS	1	INCLUDES ITEMS W/%
2	490202	RUBBER PROTECTOR	4	
3	13287	LOCK NUT 8-32.....	6.....	REPLACEMENT PART ONLY
4	2203	WASHER, FLAT #10.....	6.....	REPLACEMENT PART ONLY
5	1307	SCREW RHMS 8-32 X 1/2"	6.....	REPLACEMENT PART ONLY
6%	491010	LATCH ASSY., COMPLETE	2	
7	492375	BOLT 3/8" NC X 1" G5	4	
8	492598	WASHER, FLAT 3/8"	4	
9	492583	NUT 3/8" NC G5	4	
10	29174-001	KNOB, MUSHROOM	1	
11	29173-001	SWITCH, PUSH-PULL	1	
12	504135C	WIRE HARNESS	1	

Go to Discount-Equipment.com to order your parts

ENGINE SERVICE PARTS



ENGINE SERVICE PARTS

NO.	PART NO.	PART NAME	QTY.	REMARKS
1\$	17218ZE1505	AIR FILTER, OUTER	1	
1#@	17218ZE1821	AIR FILTER, OUTER	1	
2♦	17210ZE1517	AIR CLEANER ELEMENT DUAL.....	1	INCLUDES ITEM W/\$
2♣	17210ZE1822	AIR CLEANER ELEMENT DUAL.....	1	INCLUDES ITEM W/#
2♣◇	17210ZE2822	AIR CLEANER ELEMENT DUAL.....	1	INCLUDES ITEM W/@
3♣♣	17620ZH7023	TANK CAP	1	INCLUDES ITEM W/%
3♣	17620Z4H020	TANK CAP	1	INCLUDES ITEM W/@
3◇	17620Z4H020	TANK CAP	1	INCLUDES ITEM W/&
4%	17631ZH7003	GASKET	1	
4@	17631ZH7003	GASKET	1	
4&	17631Z0T801	GASKET	1	
5♣	17672ZE2W01	FILTER, FUEL.....	1	S/N 3190917 AND BELOW
5♣	17672880000	FILTER, FUEL.....	1	S/N 3118370 ~ 3190916
5◇	17672Z4H000	FILTER, FUEL	1	
6♦♣	28462ZH8003	ROPE, RECOIL	1	
6◇♣	28462ZE2W11	ROPE, RECOIL	1	
7	9807956846	SPARK PLUG, BPR6ES (NGK)	1	
7◇	9807955846	SPARK PLUG, BPR5ES (NGK)	1	

NOTICE

- ♦ HONDA GX160K1HX2
- ♣ HONDA GX160UT1HX2
- ♣ HONDA GX240K1HA2
- ◇ HONDA GX240UT1HA2

PARTS FINDER

**Search Website
by Part Number**



**Search Manual
Library For Parts
Manual & Lookup Part
Numbers – Purchase
or Request Quote**

Search Manuals

Enter your information to help us find the right parts manual for your equipment.

* Brand:

* Model:

* Serial:

* Part Number:

SEARCH

**Can't Find Part or
Manual? Request Help
by Manufacturer,
Model & Description**

Parts Order Form

Please fill in the following information to help us find the right part for your equipment.

Manufacturer:	<input type="text"/>
Model:	<input type="text"/>
Description:	<input type="text"/>
Part Number:	<input type="text"/>
Quantity:	<input type="text"/>
Notes:	<input type="text"/>

Submit

Discount-Equipment.com is your online resource for quality parts & equipment.

Florida: **561-964-4949** Outside Florida TOLL FREE: **877-690-3101**

Need parts?

Click on this link: <http://www.discount-equipment.com/category/5443-parts/> and choose one of the options to help get the right parts and equipment you are looking for. Please have the machine model and serial number available in order to help us get you the correct parts. If you don't find the part on the website or on one of the online manuals, please fill out the request form and one of our experienced staff members will get back to you with a quote for the right part that your machine needs.

We sell worldwide for the brands: Genie, Terex, JLG, MultiQuip, Mikasa, Essick, Whiteman, Mayco, Toro Stone, Diamond Products, Generac Magnum, Airman, Haulotte, Barreto, Power Blanket, Nifty Lift, Atlas Copco, Chicago Pneumatic, Allmand, Miller Curber, Skyjack, Lull, Skytrak, Tsurumi, Husquvarna Target, Stow, Wacker, Sakai, Mi-T-M, Sullair, Basic, Dynapac, MBW, Weber, Bartell, Bennar Newman, Haulotte, Ditch Runner, Menegotti, Morrison, Contec, Buddy, Crown, Edco, Wyco, Bomag, Laymor, EZ Trench, Bil-Jax, F.S. Curtis, Gehl Pavers, Heli, Honda, ICS/PowerGrit, IHI, Partner, Imer, Clipper, MMD, Koshin, Rice, CH&E, General Equipment, Amida, Coleman, NAC, Gradall, Square Shooter, Kent, Stanley, Tamco, Toku, Hatz, Kohler, Robin, Wisconsin, Northrock, Oztec, Toker TK, Rol-Air, APT, Wylie, Ingersoll Rand / Doosan, Innovatech, Con X, Ammann, Mecalac, Makinex, Smith Surface Prep, Small Line, Wanco, Yanmar