

# POWER HAMMER TROLLEY OPERATING & SERVICE MANUAL



Read Manual Before Operating or  
Servicing Machine

402616 Rev E

**Discount  
Equipment**

**TO PURCHASE THIS PRODUCT PLEASE CONTACT US**



**Equipment Financing and  
Extended Warranties Available**



**Discount-Equipment.com is your online resource for  
commercial and industrial quality parts and equipment sales.**

**561-964-4949**

**visit us on line @ [www.discount-equipment.com](http://www.discount-equipment.com)**

Select an option below to find your Equipment

**Search by Manufacturer**

**Search by Product Type**

**Request a Quote**

We sell worldwide for the brands: Genie, Terex, JLG, MultiQuip, Mikasa, Essick, Whiteman, Mayco, Toro Stone, Diamond Products, Generac Magnum, Airman, Haulotte, Barreto, Power Blanket, Nifty Lift, Atlas Copco, Chicago Pneumatic, Allmand, Miller Curber, Skyjack, Lull, Skytrak, Tsurumi, Husquvarna Target, Stow, Wacker, Sakai, Mi-T-M, Sullair, Basic, Dynapac, MBW, Weber, Bartell, Bennar Newman, Haulotte, Ditch Runner, Menegotti, Morrison, Contec, Buddy, Crown, Edco, Wyco, Bomag, Laymor, EZ Trench, Bil-Jax, F.S. Curtis, Gehl Pavers, Heli, Honda, ICS/PowerGrit, IHI, Partner, Imer, Clipper, MMD, Koshin, Rice, CH&E, General Equipment, Amida, Coleman, NAC, Gradall, Square Shooter, Kent, Stanley, Tamco, Toku, Hatz, Kohler, Robin, Wisconsin, Northrock, Oztec, Toker TK, Rol-Air, APT, Wylie, Ingersoll Rand / Doosan, Innovatech, Con X, Ammann, Mecalac, Makinex, Smith Surface Prep, Small Line, Wanco, Yanmar

# Table of Contents


---

<b>Table of Contents</b> .....	<b>3</b>
<b>Specifications</b> .....	<b>4</b>
<b>Safety</b> .....	<b>5</b>
General Rules.....	5
Warnings.....	6
Organizational Measures and Safety.....	6
Maintenance and Troubleshooting During Work.....	6
<b>General Information</b> .....	<b>7</b>
Description of Machine .....	7
Switchbox .....	7
<b>Components and Assembly</b> .....	<b>8</b>
Power Tool Assembly.....	8
<b>Operation</b> .....	<b>9</b>
Starting the Machine.....	9
Operating the Machine .....	9
<b>Maintenance</b> .....	<b>10</b>
Maintenance Information .....	10
Repairs .....	10
Replacing the Chisel.....	10
<b>Parts List and Diagrams</b> .....	<b>11</b>

# Specifications

Product Specifications					
Max. Length	Typical Operating Length	Width	Max. Height	Weight	Speed
39" (99 cm)	24" (61 cm)	19" (48 cm)	44" (111.8 cm)	99 lbs (45 kg)	Manual

Machine Variants			
Region	Serial Number	Input Power	Plug Type
Domestic (North America)	TROLLEY-10XXXX	120V / 60 Hz	15A NEMA 5-15P Plug
International	TROLLEY-11XXXX	230V / 50 Hz	EU1-16P, 250V, 16A Plug
	TROLLEY-20XXXX	110V / 50 Hz	IEC 60309, 16A, 3W Plug

 **WARNING:** THIS MACHINE IS DESIGNED FOR WORKING HORIZONTAL SURFACES, SPECIFICALLY CHISELING AND DEMOLITION. ALL OTHER APPLICATIONS ARE DEEMED TO BE INCORRECT USE. THE MANUFACTURERS WILL NOT BE LIABLE FOR ANY DAMAGE RESULTING FROM INCORRECT USE. THE USER IS SOLELY RESPONSIBLE FOR ANY RISK.

## GENERAL RULES FOR SAFE OPERATION

Before use, anyone operating or performing maintenance on this equipment must read and understand this manual, as well as any labels packaged with or attached to the machine and its components. Read the manual carefully to learn equipment applications and limitations, as well as potential hazards associated with this type of equipment. Keep manual near machine at all times. If your manual is lost or damaged, contact Discount-equipment for a replacement.

### Personal

#### **Dress properly and use safety gear.**

Do not wear loose clothing; it may be caught in moving parts. Anyone in the work area must wear safety goggles or glasses and hearing protection. Wear a dust mask for dusty operations. Hard hats, face shields, safety shoes, etc. should be worn when specified or necessary.

#### **Maintain control; stay alert.**

Keep proper footing and balance, and maintain a firm grip. Observe surroundings at all times. Do not use when tired, distracted, or under the influence of drugs, alcohol, or any medication that may cause decreased control.

#### **Keep hands away from all moving parts and tooling.**

Wear gloves when changing tooling. Remove tooling when machine is not in use and/or lower cutting head to the floor.

#### **Do not force equipment.**

Equipment will perform best at the rate for which it was designed. Excessive force only causes operator fatigue, increased wear, and reduced control.

### Environment

#### **Avoid use in dangerous environments.**

Do not use in rain, damp or wet locations, or in the presence of explosive atmospheres (gaseous fumes, dust, or flammable materials). Remove materials or debris that may be ignited by sparks. Keep work area tidy and well-lit - a cluttered or dark work area may lead to accidents. Extreme heat or cold may affect performance.

#### **Protect others in the work area and be aware of surroundings.**

Provide barriers or shields as needed to protect others from debris and machine operation. Children and other bystanders should be kept at a safe distance from the work area to avoid distracting the operator and/or coming into contact with the machine. Operator should be aware of who is around them and their proximity. Support personnel should never stand next to, in front of, or behind the machine while the machine is running. Operator should look behind them before backing up.

#### **Do not come within 3 ft. of the machine's perimeter during operation.**

#### **Guard against electric shock.**

Ensure that machine is connected to a properly grounded outlet. Prevent bodily contact with grounded surfaces, e.g. pipes, radiators, ranges, and refrigerators. When scoring or making cuts, always check the work area for hidden wires or pipes.

### Maintenance & Repairs

#### **Begin maintenance work only when the machine is shut down, unplugged, and cooled down.**

#### **Use proper cleaning agents.**

Ensure that all cleaning rags are fiber-free; do not use any aggressive cleaning products.

#### **Schedule regular maintenance check-ups.**

Ensure machine is properly cleaned and serviced. Remove all traces of oil, combustible fuel, or cleaning fluids from the machine and its connections and fittings. Retighten all loose fittings found during maintenance and repair work. Loose or damaged parts should be replaced immediately; use only NFE parts.

#### **Do not weld or flame-cut on the machine during repairs, or make changes to machine without authorization from NFE.**

### Equipment

#### **Use proper parts and accessories.**

Only use NFE-approved or recommended parts and accessories. Using any that are not recommended may be hazardous.

#### **Ensure accessories are properly installed and maintained.**

Do not permanently remove a guard or other safety device when installing an accessory or attachment.

#### **Inspect for damaged parts.**

Check for misalignment, binding of moving parts, loose fasteners, improper mounting, broken parts, and any other conditions that may affect operation. If abnormal noise or vibration occurs, turn the machine off immediately. Do not use damaged equipment until repaired. Do not use if power switch does not turn machine on and off. For all repairs, insist on only identical NFE replacement parts.

#### **Maintain equipment and labels.**

Keep handles dry, clean, and free from oil and grease. Keep cutting edges sharp and clean. Follow instructions for lubricating and changing accessories. Motor and switches should be completely enclosed at all times with no exposed wiring. Inspect cord regularly. Labels carry important information; if unreadable or missing, contact Discount-equipment for a free replacement.

#### **Avoid accidental starting; store idle equipment.**

When not in use, ensure that the machine is unplugged; do not turn on before plugging in. Store in a dry, secured place. Remove tooling when storing, and keep away from children.

# Safety

---

## WARNINGS

Be aware of warning and cautionary information, designated by a gray text box. These areas will contain information regarding dangers to the operator and/or the machine and instruction to prevent injury.

## ORGANIZATIONAL MEASURES AND SAFETY

Before starting any work with or on the machine, all authorized personnel must read the instruction manual and, in particular, the section regarding safety instructions.

Appliances used in different locations must be connected via a current surge prevention switch.

Always wear goggles when using the machine. Wearing gloves, non-slip shoes, and an apron is recommended.



**WARNING:** THE MAX PERMITTED NOISE LEVEL MAY BE EXCEEDED. OPERATORS MUST WEAR NOISE-PROTECTIVE GEAR.

Sawdust and splinters must be removed while the machine is running.

Extreme electromagnetic interferences from the outside could temporarily cause variations in the rotation speed.



**CAUTION:** SPARE PARTS MUST CONFORM TO THE MANUFACTURER'S SPECIFICATIONS. THIS IS ALWAYS GUARANTEED WITH NFE ORIGINAL PARTS.

## MAINTENANCE AND TROUBLESHOOTING DURING WORK

Disconnect machine from power supply prior to performing any maintenance. Only unplug or plug in machine when it is turned off.

Keep mains lead clear of the machine during operation; always lead the cable away from behind.

The ventilation slots of the machine must be kept clear at all times. If the carbon brushes are worn, the brushes should be exchanged and the tool should be sent to a service center for inspection.



**WARNING:** ALL MACHINERY CAN BE DANGEROUS FOR OPERATING, MAINTENANCE, AND REPAIR PERSONNEL IF USED INCORRECTLY. OWNERS ARE RESPONSIBLE FOR COMPLIANCE WITH SAFETY REGULATIONS DURING OPERATIONS AND MAINTENANCE OF THE SAFETY DEVICES SUPPLIED WITH THE MACHINE, AND FOR PROVIDING SUITABLE SAFETY DEVICES. IT IS STRICTLY PROHIBITED TO REMOVE OR CHANGE THE SECURITY SYSTEM OF THE MACHINE!

## DESCRIPTION OF MACHINE

Features:

- Rubber handle grip
- Clamping grip for height adjustment
- Emergency stop button
- Clamping grip for work angles
- Special tool holder
- Rubber wheels: 3.3" x 10.2" (8.4 x 26 cm)
- Vibration reduce

This machine is a sturdy and powerful removal stripper that can be used on a large number of surfaces:

- Epoxy, ceramic, tiles, adhesives
- Wooden parquet, fiberglass spills
- Cork, latex, paint, build-up, mastics
- Sport surfaces, membranes

## SWITCHBOX

The switchbox is fitted with an ON and emergency stop button.

- ON switch
- Emergency stop button

### ON Switch

The ON switch is the small black switch on the switchbox.

### Emergency Stop Switch and Restart

The circular emergency button will immediately cut off current to the hammer when pushed.

### Under-voltage Release

An integrated under-voltage release cuts off the current supply immediately if, e.g. the fuse falls out, current fluctuations occur, or a cable is damaged.

# Components and Assembly

## POWER TOOL ASSEMBLY

This machine is currently only compatible with the HILTI TE1000 and TE1500 jackhammers. Using a 17 mm wrench and an Allen key, complete the following steps to assemble the power tool to the machine:

1. Unscrew lower tool holder (Figure 1) and upper tool holder (Figures 2-4).



FIG. 1



FIG. 2

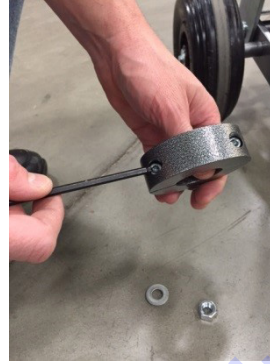


FIG. 3



FIG. 4

2. Re-attach top half of the upper tool holder so that the nuts and upper half resemble Figure 5.
3. Place power tool on the holder (Figure 6); re-place top half of the lower tool holder and screw it into place (Figure 7). Note: Notched side of the washers must be facing the nut (Figure 8).



FIG. 5



FIG. 6



FIG. 7



FIG. 8

4. Lower the top half of the tool holder until it meets the handle of the hammer (Figure 9).
5. Re-place the lower half of the upper tool holder and screw it into place (Figure 9). This will secure the power tool; the tool can now be plugged into the machine for operation.
6. Adjust the height as needed (Figure 10).

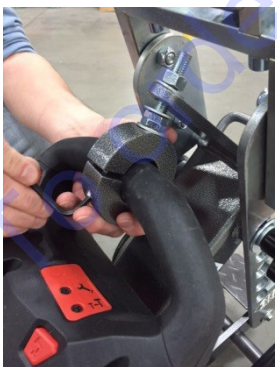


FIG. 9

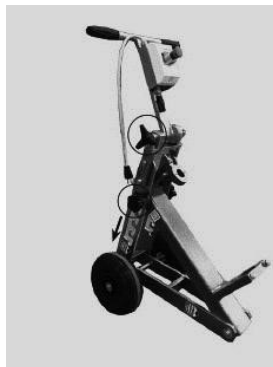


FIG. 10



## STARTING THE MACHINE

Regular inspections are important to prevent breakdowns. Before starting:

1. Check that all machine components have been correctly assembled.
2. Check that all screws and other fasteners are tight.
3. Check that all safety devices are functioning as designed.
4. Check the electrical cords for damage.

To start the machine:

1. Press the black ON switch on the switchbox.
2. Press the red ON/OFF button on the power tool to turn it on.
3. The machine can be turned off by pressing the red ON/OFF button on the power tool, or by pressing the emergency stop button on the switchbox.

## OPERATING THE MACHINE

When operating, machine must be placed evenly to the surface. Do not tilt machine while the motor is running.

# Maintenance



**WARNING:** BEFORE BEGINNING ANY REPAIR WORK ON THE MACHINE, MAKE SURE THAT IT IS TURNED OFF AND DISCONNECTED FROM THE POWER SOURCE.

## MAINTENANCE INFORMATION

Breakdowns caused by insufficient and unprofessional maintenance can lead to very high repair costs and long downtimes. Regular maintenance is essential. Operational safety and the service life of the machine depend on several factors, including proper maintenance.

The following table contains information on schedules, inspections, and maintenance for normal working. The times are based on daily use. If the number of working hours shown here is not reached in the corresponding period, the period may be extended. However, a complete inspection must take place every year.

Because operation conditions can vary considerably, it is not possible to state in advance how often checks for wear, inspections, maintenance, and repairs are necessary. A practical inspection schedule should be drawn up taking the operating conditions into account. Contact Discount-equipment if you require further assistance.

## REPAIRS

It is recommended that the repairs are carried out by NFE or an authorized dealer.

Always keep stocks of spare parts that cannot be supplied at short notice. Production losses are usually more expensive than the costs of the spare part. Any screws that are removed must be replaced in the same quality and design. Only use NFE original parts.

## REPLACING THE CHISEL

1. Unplug the hammer.
2. Tilt the machine backwards, so that it lies with its handle on the floor.
3. With one hand, twist the chisel lock 180°; pull the chisel out with the other hand.
4. Hold the new chisel with the locking surface facing up, and slide the chisel in.
5. Turn the chisel lock back and ensure it is fixed in place.



FIG. 11



FIG. 12

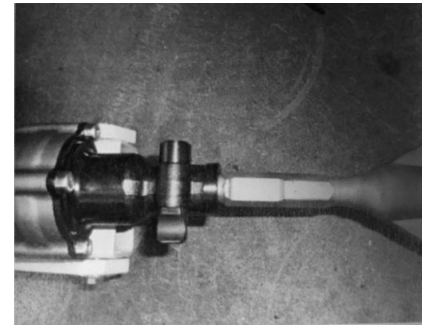
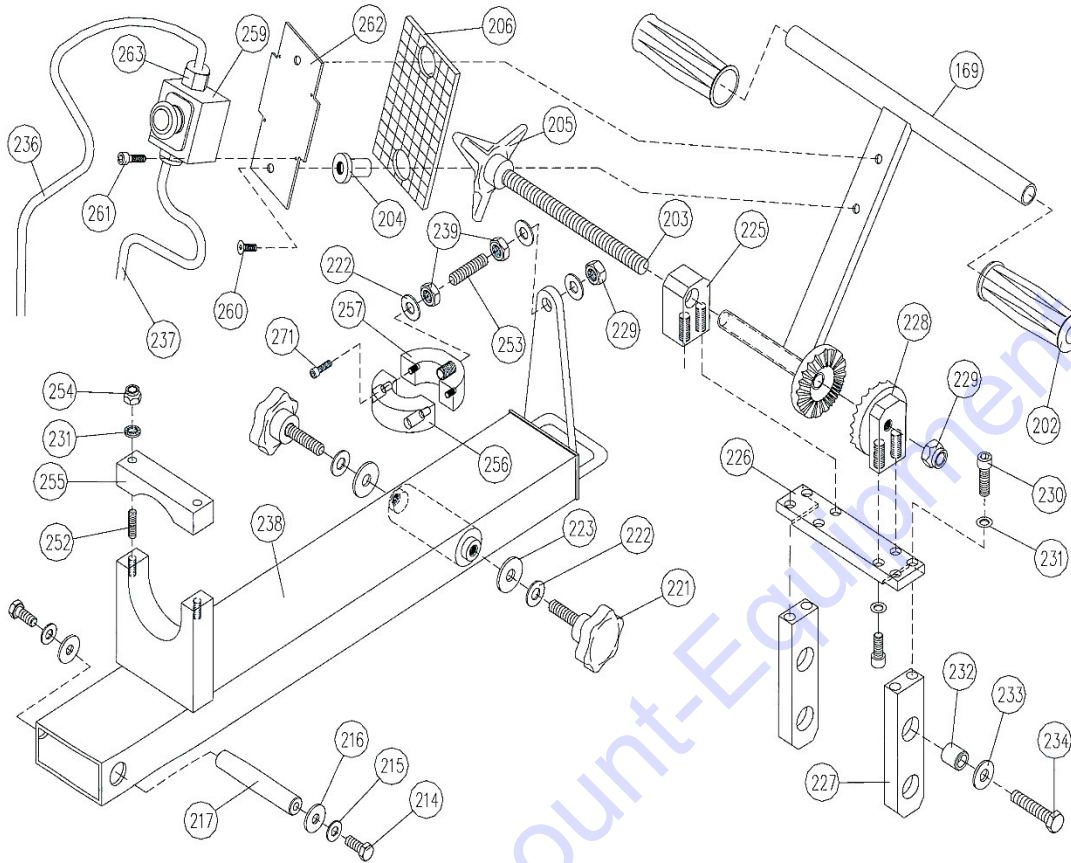


FIG. 13

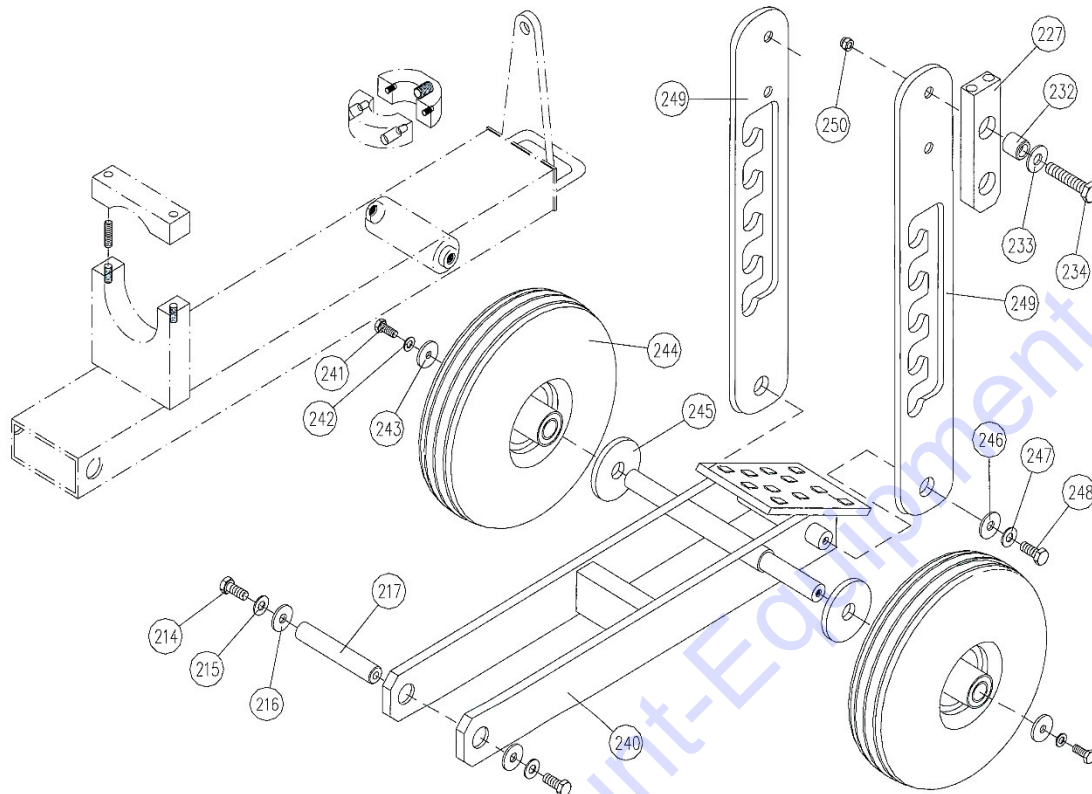
# Parts List and Diagrams



Item#	Part#	Spare Parts	QTY	Item#	Part#	Spare Parts	QTY
169		Handle upper part	1	232		Rubber bushing	4
202	402838	Rubber grip	2	233		Washer	4
203		Threaded rod M12	1	234		Hexagon screw	4
204		Shock-reducer	2	236		Lead wire 5m 2.5mm2	1
205		Star-shaped handle	1	237		Connection cable 2.5mm2	1
206		Rubber plate	1	238		Housing cpl. for HILTI	1
214		Hexagon screw	2	239		Hexagon nut	2
215		Locking ring	2	252		Threaded pin	2
216		Spacer	2	253		Threaded pin	1
217		Bolt	1	254		Safety nut	2
221	402840	Star grip	2	255	405105	Holder front upper part	1
222		Locking ring	5	256*		Clamping piece part front	1
223		Washer	2	257*		Clamping piece part back	1
225		Top mount	1	259	402842	Emergency stop switch (-11XXXX machines only)	1
226		Carrier plate	1	260		Countersunk screw	2
227		Support for rubber bush.	2	261		Allen screw	4
228		Outer support	1	262		Baffle plate	1
229		Safety nut	2	263		Conduit gland	2
230		Allen screw	8	271*		Allen screw	2
231		Locking ring	10				

\*404651 Clamp and Screws Kit (not shown) includes Items 256, 257 and 271.

# Parts List and Diagrams



Item#	Part#	Spare Parts	QTY	Item#	Part#	Spare Parts	QTY
214		Hexagon screw	2	242		Locking ring	2
215		Locking ring	2	243		Spacer	2
216		Spacer	2	244	402841	Rubber wheel	2
217		Bolt	1	245		Distance washer	2
227		Support for rubber bush.	2	246		Spacer	2
232		Rubber bushing	4	247		Locking ring	2
233		Washer	4	248		Hexagon screw	2
234		Hexagon screw	4	249	403143	Locking ratchet plate	2
240		Chassis cpl.	1	250		Safety nut	2
241		Hexagon screw	2				

**TO PURCHASE THIS PRODUCT PLEASE CONTACT US**



**Equipment Financing and  
Extended Warranties Available**



**Discount-Equipment.com is your online resource for  
commercial and industrial quality parts and equipment sales.**

**561-964-4949**

**visit us on line @ [www.discount-equipment.com](http://www.discount-equipment.com)**

Select an option below to find your Equipment

**Search by Manufacturer**

**Search by Product Type**

**Request a Quote**

We sell worldwide for the brands: Genie, Terex, JLG, MultiQuip, Mikasa, Essick, Whiteman, Mayco, Toro Stone, Diamond Products, Generac Magnum, Airman, Haulotte, Barreto, Power Blanket, Nifty Lift, Atlas Copco, Chicago Pneumatic, Allmand, Miller Curber, Skyjack, Lull, Skytrak, Tsurumi, Husquvarna Target, Stow, Wacker, Sakai, Mi-T-M, Sullair, Basic, Dynapac, MBW, Weber, Bartell, Bennar Newman, Haulotte, Ditch Runner, Menegotti, Morrison, Contec, Buddy, Crown, Edco, Wyco, Bomag, Laymor, EZ Trench, Bil-Jax, F.S. Curtis, Gehl Pavers, Heli, Honda, ICS/PowerGrit, IHI, Partner, Imer, Clipper, MMD, Koshin, Rice, CH&E, General Equipment, Amida, Coleman, NAC, Gradall, Square Shooter, Kent, Stanley, Tamco, Toku, Hatz, Kohler, Robin, Wisconsin, Northrock, Oztec, Toker TK, Rol-Air, APT, Wylie, Ingersoll Rand / Doosan, Innovatech, Con X, Ammann, Mecalac, Makinex, Smith Surface Prep, Small Line, Wanco, Yanmar