



**RIDE-ON SCRAPER**

# **SUPPLEMENTAL MANUAL**

**FOR MACHINE SERIAL NUMBERS:**

<b>5700-16XXXX</b>
<b>5700-30XXXX</b>
<b>2900-30XXXX</b>



**Read Manual Before Lifting Or Operating Machine**

**TO PURCHASE THIS PRODUCT PLEASE CONTACT US**



**Equipment Financing and  
Extended Warranties Available**



**Discount-Equipment.com is your online resource for  
commercial and industrial quality parts and equipment sales.**

**561-964-4949**

**visit us on line @ [www.discount-equipment.com](http://www.discount-equipment.com)**

Select an option below to find your Equipment

**Search by Manufacturer**

**Search by Product Type**

**Request a Quote**

We sell worldwide for the brands: Genie, Terex, JLG, MultiQuip, Mikasa, Essick, Whiteman, Mayco, Toro Stone, Diamond Products, Generac Magnum, Airman, Haulotte, Barreto, Power Blanket, Nifty Lift, Atlas Copco, Chicago Pneumatic, Allmand, Miller Curber, Skyjack, Lull, Skytrak, Tsurumi, Husquvarna Target, Stow, Wacker, Sakai, Mi-T-M, Sullair, Basic, Dynapac, MBW, Weber, Bartell, Bennar Newman, Haulotte, Ditch Runner, Menegotti, Morrison, Contec, Buddy, Crown, Edco, Wyco, Bomag, Laymor, EZ Trench, Bil-Jax, F.S. Curtis, Gehl Pavers, Heli, Honda, ICS/PowerGrit, IHI, Partner, Imer, Clipper, MMD, Koshin, Rice, CH&E, General Equipment, Amida, Coleman, NAC, Gradall, Square Shooter, Kent, Stanley, Tamco, Toku, Hatz, Kohler, Robin, Wisconsin, Northrock, Oztec, Toker TK, Rol-Air, APT, Wylie, Ingersoll Rand / Doosan, Innovatech, Con X, Ammann, Mecalac, Makinex, Smith Surface Prep, Small Line, Wanco, Yanmar

# Table of Contents

---

<b>Table of Contents</b> .....	<b>3</b>
<b>Machine-Specific Features</b> .....	<b>4</b>
Lift Arms .....	4
Lifting Chain Requirements .....	4
Lifting Procedure.....	5
Parts List—403846 Lift Arms .....	8
Parts List—405498 Lift Arms .....	9
403941 Seat Belt .....	10
Operation .....	10
Parts List.....	10
405488 Beacon/Seat Belt Mount Tube Weldment.....	11
405501 Round Plug .....	11
402310 Beacon Assembly .....	11
Parts List.....	11
404035 Headlight Assembly .....	12
Operation .....	12
Parts List.....	12
2900-30XXXX Machine Weights .....	13

**NOTE:**

This supplemental manual only includes features specific to machines with serial numbers 5700-16XXXX, 5700-30XXXX and 2900-30XXXX.

For general operating and service information, reference the specific machine's operating and service manuals.

# Machine-Specific Features

## LIFT ARMS

Applicable Serial Numbers: 5700-16XXXX, 5700-30XXXX, 2900-30XXXX



**WARNING:** READ THIS PROCEDURE BEFORE LIFTING THE MACHINE. FAILURE TO FOLLOW THIS PROCEDURE COULD RESULT IN EXTENSIVE DAMAGE TO THE MACHINE AND/OR BODILY INJURY.

## Lifting Chain Requirements

- Three lifting chains are required to lift the machine.
- Lifting chains must have locking hooks on each end.
- Chains and hooks must be load rated at a minimum of 5,000 lbs (2,270 kg).
- Hook opening size must be a minimum of .75 inches (19 mm) and be compatible with the eye bolt.
- Chain lengths (hook-to-hook) must be a minimum of 35.4 inches (900 mm). See Figure 2.  
*WARNING: Shorter length increases stress on lifting members.*
- All chain lengths (hook-to-hook) must be the same length within 1 inch (25 mm) for stability.
- See Figure 1 for an example of a proper 3-leg chain sling for this application.
- NFE requires the customer/end user to provide a reasonable safety program for training and regular inspection of components.



FIG. 1

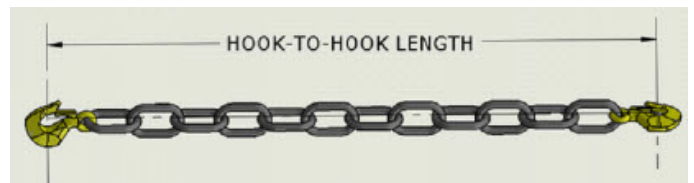


FIG. 2

# Machine-Specific Features

## Lifting Procedure

**Note:** The 5700 machine is shown in the following procedure. The procedure is the same for the 2900 machine.

1. Before lifting machine, ensure that the pins securing the three lift arms are in place. See Figure 3.
2. Pull each side arm forward to release from latch. See Figure 4.
3. A 3-leg chain sling must be used to lift the machine. Attach a hook to each of the three lift arm eye bolts. See Figure 5.

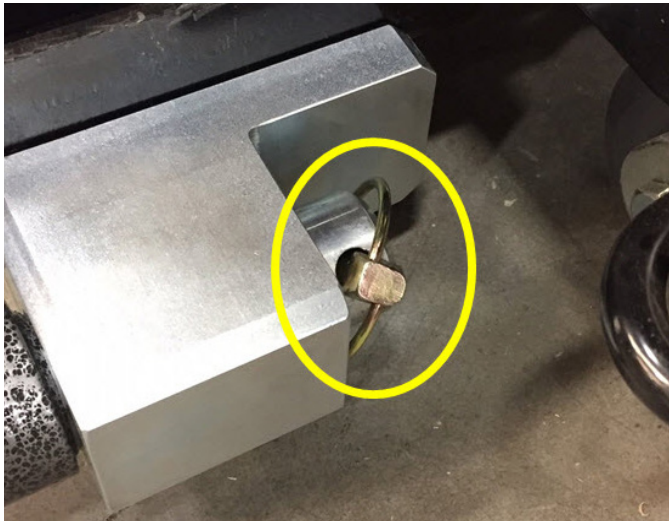


FIG. 3

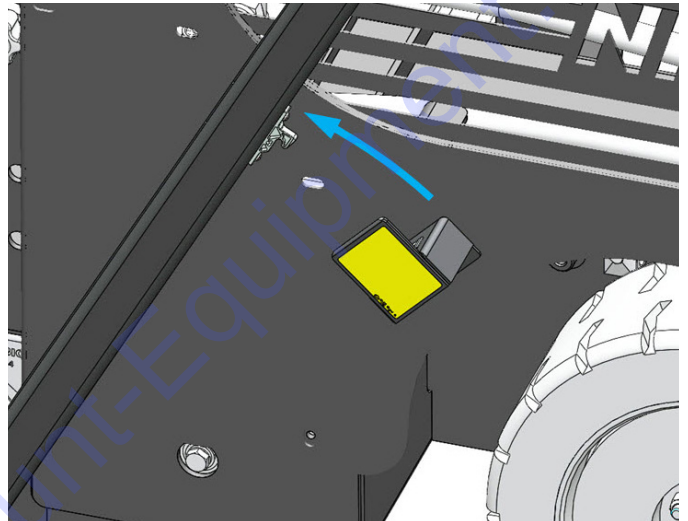


FIG. 4



FIG. 5



# Machine-Specific Features

## Lifting Procedure—continued

4. Slowly lift the machine. Figures 6 and 7 show a CORRECT lift using a 3-leg chain sling.



**CORRECT**



**CORRECT**

# Machine-Specific Features

## Lifting Procedure—continued

5. Do NOT use a 1-leg or 2-leg chain sling! Figures 8-10 show examples of INCORRECT lifts.



**WRONG!**



**WRONG!**

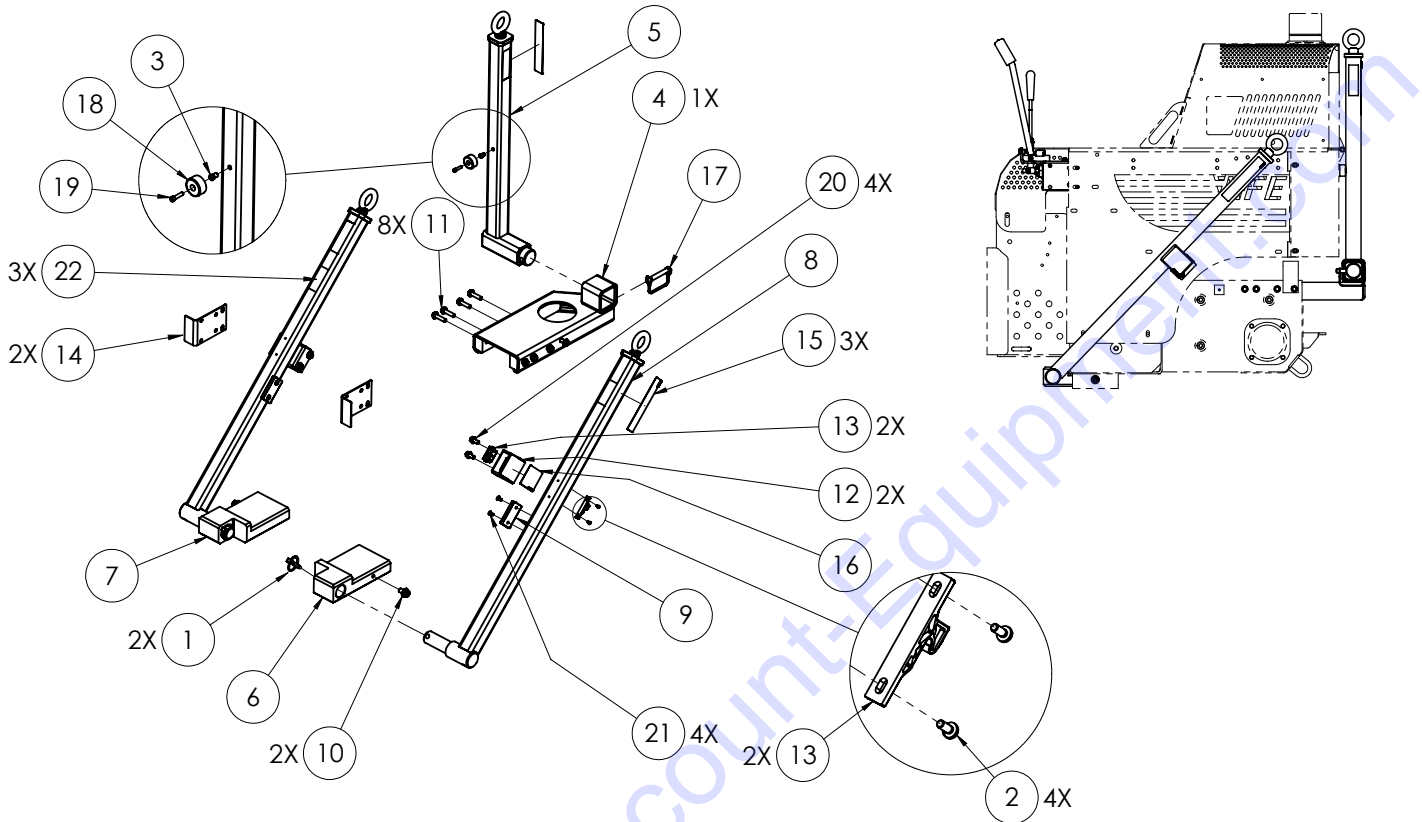


**WRONG!**

# Machine-Specific Features

## Parts List—403846 Lift Arms

Applicable Serial Numbers: 5700-16XXXX, 5700-30XXXX



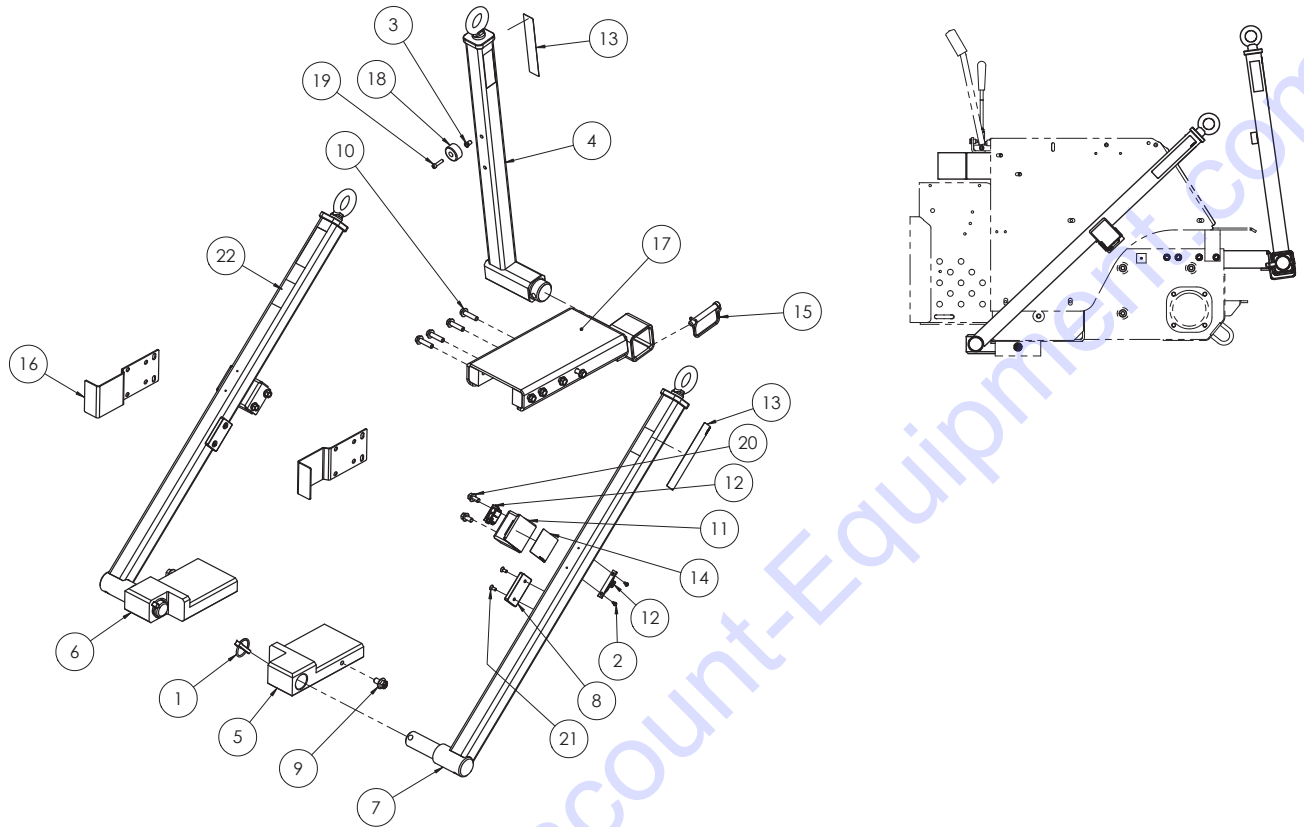
Item#	Part#	Description	QTY
1	402239	Pin, Lynch, 3/8x1-1/2	2
2	403075	Screw, Pan Head Machine, M4X0.7 - 10mm	4
3	403839	Rivnut, Steel, 1/4-20 x .140-.200 Grip	1
4	403842	Weldment, Hitch, Rear, Rider Lift	1
5	403843	Weldment, Lift Arm, Rear	1
6	403853	Mount, Lift, Front, LH, Rider	1
7	403854	Mount, Lift, Front, RH, Rider	1
8	403855	Weldment, Lift Arm, Front	2
9	403918	Pad, Glide, Lift Arm	2
10	403920	Bolt, Wizlock, M12 x 1.75 x 20	2
11	403921	Bolt, Wizlock, M10 x 1.5 x 40	8
12	403937	Mount, Grabber, Lift Arm	2
13	403938	Latch, Grabber Catch, Snap-in, 10-lb	2
14	403939	Stop, Lift Arm, Forward	2
15	403957-JA	Label, Warning, Lifting Arms, Ride-On	3
16	403958-JA	Label, Warning, Latch, Lifting Arms, Ride-On	2
17	404697	Pin, Locking, 1/2 x 3	1
18	5600-66	Hood Bumper	1
19	73070	Bolt, Socket Head Cap 1/4-20x1	1
20	73259	Bolt, Wizlock, 3/8-16X3/4	4
21	74620	Screw, Flat Head Socket Cap, M6-1.0 x 14	4
22	406534-JA	Label, Warning, Lifting Arms	3



# Machine-Specific Features

## Parts List—405498 Lift Arms

Applicable Serial Numbers: 2900-30XXXX



Item#	Part#	Description	QTY
1	402239	Pin, Lynch, 3/8x1-1/2	2
2	403075	Screw, Pan Head Machine, M4X0.7 - 10mm	4
3	403839	Rivnut, Steel, 1/4-20 x .140-.200 Grip	1
4	403843	Weldment, Lift Arm, Rear	1
5	403853	Mount, Lift, Front, LH, Rider	1
6	403854	Mount, Lift, Front, RH, Rider	1
7	403855	Weldment, Lift Arm, Front	2
8	403918	Pad, Glide, Lift Arm	2
9	403920	Bolt, Wizlock, M12 x 1.75 x 20	2
10	403921	Bolt, Wizlock, M10 x 1.5 x 40	8
11	403937	Mount, Grabber, Lift Arm	2
12	403938	Latch, Grabber Catch, Snap-in, 10-lb	2
13	403957-JA	Label, Warning, Lifting Arms, Ride-On	3
14	403958-JA	Label, Warning, Latch, Lifting Arms, Ride-On	2
15	404697	Pin, Locking, 1/2 x 3	1
16	405492	Stop, Lift Arm, Forward	2
17	405494	Weldment, Hitch, Rear, Rider Lift	1
18	5600-66	Hood Bumper	1
19	73070	Bolt, Socket Head Cap 1/4-20x1	1
20	73259	Bolt, Wizlock, 3/8-16X3/4	4
21	74620	Screw, Flat Head Socket Cap, M6-1.0 x 14	4
22	406534-JA	Label, Warning, Lifting Arms	3


# Machine-Specific Features

## 403941 SEAT BELT

Applicable Serial Numbers: 5700-16XXXX, 5700-30XXXX, 2900-30XXXX

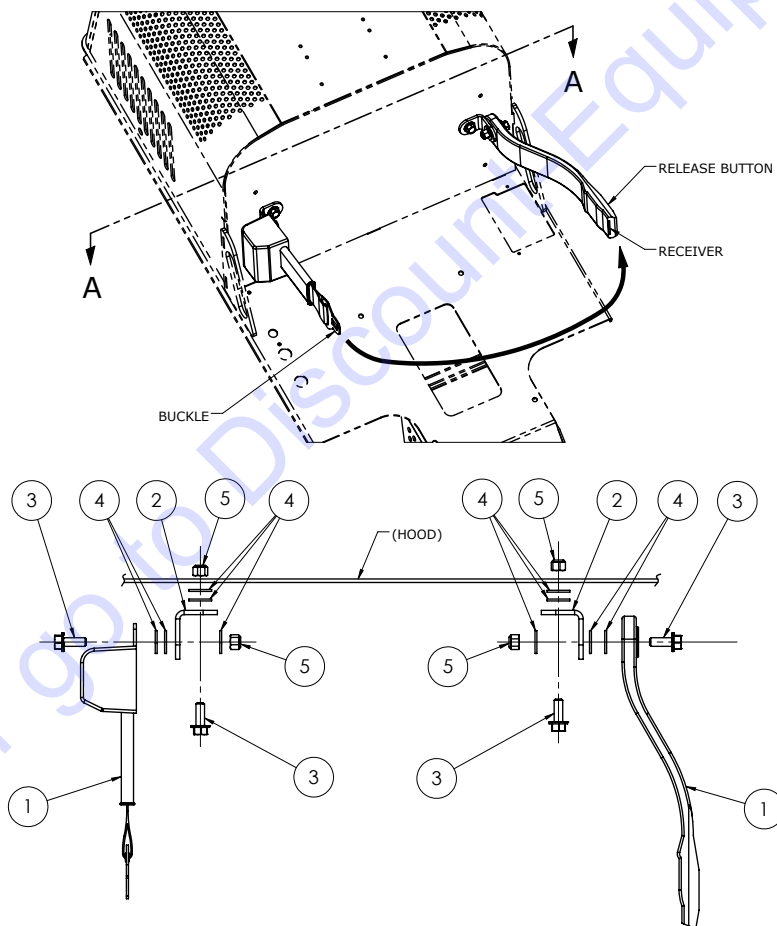
### Operation

1. To use seat belt, sit upright and pull buckle across lap and fasten into receiver.
2. Ensure belt is snug and lies low across your hips.
3. To release seat belt, press the red button and allow belt to retract.



**WARNING:** IMPROPER USE MAY RESULT IN REDUCED EFFECTIVENESS OR INJURY.

### Parts List



Item#	Part#	Description	QTY
1	403897	Belt, Seat, Lap, 2-Point, Retractable	1
2	403906	Bracket, L, Mount, Seat Belt	2
3	73222	Bolt, Wizlock, 3/8-16x1, Zinc Plated	4
4	73264	Washer, Flat, Zinc USS 3/8	10
5	73207	Nut, Hex, Nylon Insert, 3/8-16	4

# Machine-Specific Features

405488 BEACON/SEAT BELT MOUNT TUBE WELDMENT

405501 ROUND PLUG

402310 BEACON ASSEMBLY

Applicable Serial Numbers: 2900-30XXXX

## Parts List



Item#	Part#	Description	QTY
1	405488	Weldment, Tube, Mount, Beacon/Seat Belt	1
2	405501	Plug, Round, 1", Poly	2
3	402310	Assembly, Beacon, Battery	1
	70610*	Loom, Corrugated, Split, Black Nylon, 1/4" ID	4 FT
	70629	Light, Flashing	1
	72771*	Terminal, 18-16 Gauge, Male	2
	72775*	Terminal, 18-16 Gauge, Female	2
	72785*	Connector, Female, 2 Pole	1
	72790*	Connector, Male, 2 Pole	1
	72892*	Lock, Secondary, TPA, 2 Pole	2
	72931*	Seal, Cable	4
	74425*	Nut, Keps, 10-32	3
	74430*	Screw, Phillips Pan Head, 10-32x3/4, Clear Zinc	3

\*NOT SHOWN

# Machine-Specific Features

## 404035 HEADLIGHT ASSEMBLY

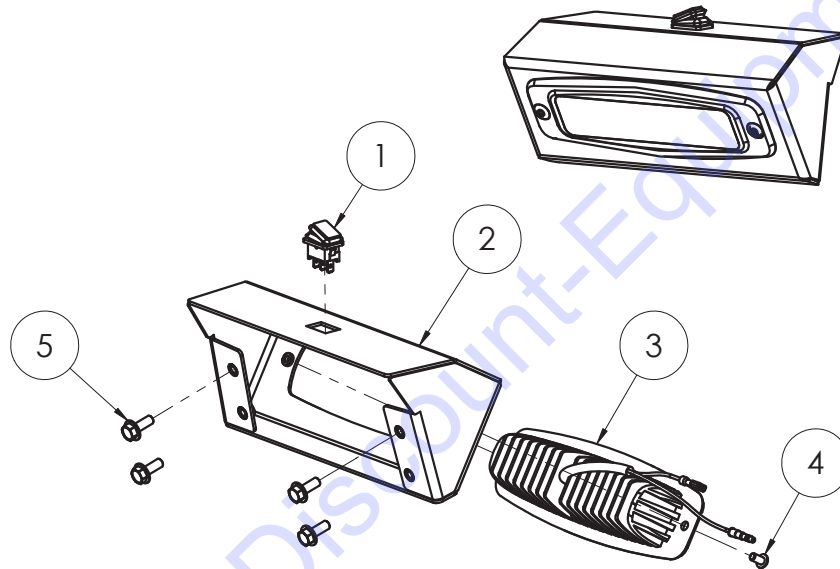
Applicable Serial Numbers: 2900-30XXXX

### Operation

The headlight illuminates the work zone.

- Use the toggle switch to turn the headlight ON and OFF. *NOTE: The headlight only operates when the machine is running.*
- The light is fixed-mounted with fixed brightness--it is not adjustable.

### Parts List



Item#	Part#	Description	QTY
1	403976	Switch, Rocker, SP, 14V, 16A	1
2	404009	Shroud, Worklight, Rider, Low Profile	1
3	404041	Light, Work, 6"x2", Flush, 18W	1
4	404060	Screw, Button Head Cap, M5-0.8 x 10, Black Oxide	2
5	74631	Bolt, Wizlock, M6-1.0 x 16, Plain	4



# Machine-Specific Features

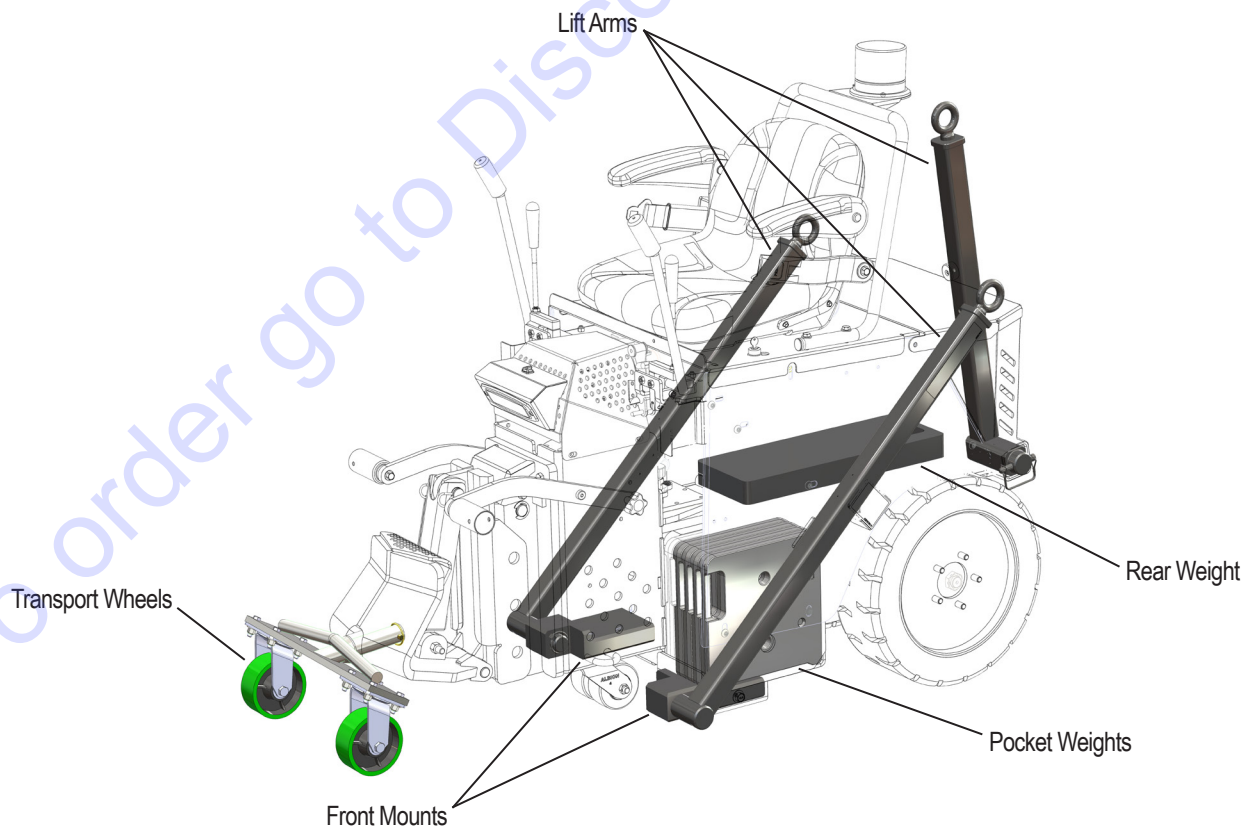
## 2900-30XXXX MACHINE WEIGHTS

MACHINE WEIGHTS	
<b>Unweighted (Machine Only)</b> (All removable components removed)*	1,653 lbs (750 kg)
<b>Fully-Weighted</b> (All removable components installed)*	2,055 lbs (932 kg)

\*See table below for weights of removable components.

REMOVABLE COMPONENT WEIGHTS	
<b>Lift Arms and Front Mounts</b> (2) Front Mounts, 23 lbs (10 kg) each (3) Lift Arms, 62 lbs (28 kg)	108 lbs (49 kg)
<b>Pocket Weights</b> (5) Pocket Weights, 37 lbs (17 kg) each	185 lbs (84 kg)
<b>Rear Weight</b>	77 lbs (35 kg)
<b>Transport Wheels</b>	32 lbs (15 kg)
<b>Total Removable Weight</b>	402 lbs (182 kg)

NOTE: Weights of the above components may vary slightly due to manufacturing tolerances.



**TO PURCHASE THIS PRODUCT PLEASE CONTACT US**



**Equipment Financing and  
Extended Warranties Available**



**Discount-Equipment.com is your online resource for  
commercial and industrial quality parts and equipment sales.**

**561-964-4949**

**visit us on line @ [www.discount-equipment.com](http://www.discount-equipment.com)**

Select an option below to find your Equipment

**Search by Manufacturer**

**Search by Product Type**

**Request a Quote**

We sell worldwide for the brands: Genie, Terex, JLG, MultiQuip, Mikasa, Essick, Whiteman, Mayco, Toro Stone, Diamond Products, Generac Magnum, Airman, Haulotte, Barreto, Power Blanket, Nifty Lift, Atlas Copco, Chicago Pneumatic, Allmand, Miller Curber, Skyjack, Lull, Skytrak, Tsurumi, Husquvarna Target, Stow, Wacker, Sakai, Mi-T-M, Sullair, Basic, Dynapac, MBW, Weber, Bartell, Bennar Newman, Haulotte, Ditch Runner, Menegotti, Morrison, Contec, Buddy, Crown, Edco, Wyco, Bomag, Laymor, EZ Trench, Bil-Jax, F.S. Curtis, Gehl Pavers, Heli, Honda, ICS/PowerGrit, IHI, Partner, Imer, Clipper, MMD, Koshin, Rice, CH&E, General Equipment, Amida, Coleman, NAC, Gradall, Square Shooter, Kent, Stanley, Tamco, Toku, Hatz, Kohler, Robin, Wisconsin, Northrock, Oztec, Toker TK, Rol-Air, APT, Wylie, Ingersoll Rand / Doosan, Innovatech, Con X, Ammann, Mecalac, Makinex, Smith Surface Prep, Small Line, Wanco, Yanmar