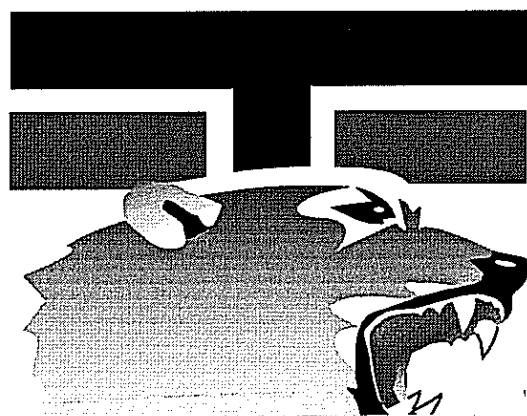
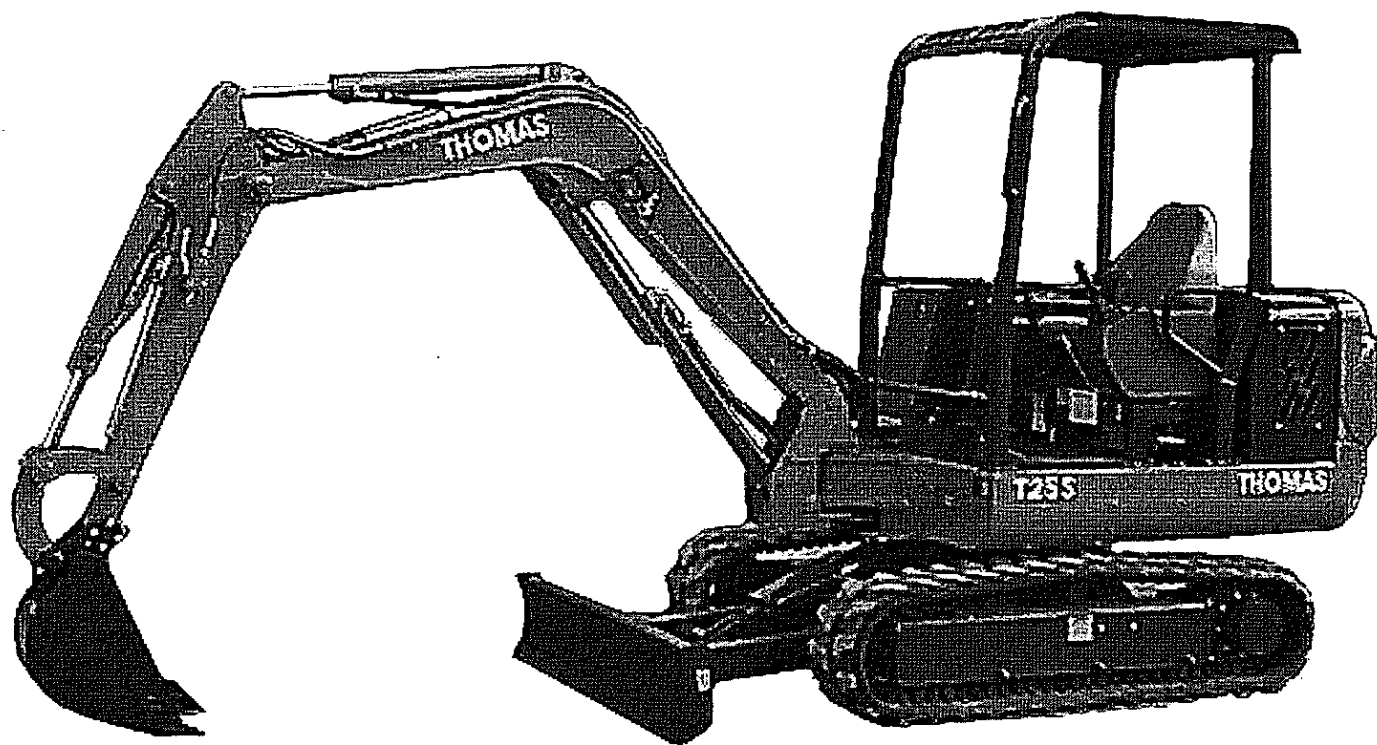


# T25 S

# MINI-EXCAVATOR



## PARTS

## MANUAL

PUBLICATION No. 44208  
DATE: September 1998

**THOMAS EQUIPMENT INC.**

## THOMAS EQUIPMENT LIABILITY WARRANTY

THE WARRANTY IS THE ONLY OBLIGATION OF THOMAS OR A THOMAS DEALER TO THE PURCHASER OR ANYONE ELSE CONCERNING A PRODUCT, ITS SERVICE, ITS USE OR PERFORMANCE OR ITS LOSS OF USE OR FAILURE TO PERFORM. NEITHER THOMAS NOR A THOMAS DEALER HAVE MADE AND NEITHER WILL MAKE ANY OTHER EXPRESSED OR IMPLIED REPRESENTATION, WARRANTY OR AGREEMENT CONCERNING A PRODUCT. NEITHER THOMAS NOR A THOMAS DEALER HAVE MADE OR WILL MAKE ANY REPRESENTATION, WARRANTY OR AGREEMENT CONCERNING A PRODUCT'S MERCHANTABILITY OR OTHER QUALITY, ITS SUITABILITY FOR PURCHASER'S PURPOSE (EVEN IF A PURCHASER HAS INFORMED THOMAS OR A THOMAS DEALER OF THAT PURPOSE), ITS DURABILITY, PERFORMANCE OR OTHER CONDITION.

EVEN IF THOMAS OR A THOMAS DEALER WAS ADVISED OF THE POSSIBILITY OF SUCH LOSS, NEITHER THOMAS NOR A THOMAS DEALER WILL BE LIABLE TO PURCHASER OR ANYONE ELSE FOR ANY INDIRECT, INCIDENTAL CONSEQUENTIAL, PUNITIVE, ECONOMIC, COMMERCIAL, OR SPECIAL LOSS WHICH IS IN ANY WAY ASSOCIATED WITH A PRODUCT. THIS INCLUDES ANY LOSS OF USE OR NON-PERFORMANCE OF A PRODUCT, ANY REPLACEMENT RENTAL OR ACQUISITION COST, ANY LOSS OF REVENUE OR PROFITS, ANY FAILURE TO REALIZE EXPECTED SAVINGS, ANY INTEREST COSTS, ANY IMPAIRMENT OF OTHER GOODS, ANY INCONVENIENCE OR ANY LIABILITY OF PURCHASER TO ANY OTHER PERSON.

PURCHASER MAY NOT ATTEMPT TO ENLARGE ITS RIGHTS UNDER THE WARRANTY BY MAKING A CLAIM FOR INDEMNITY, FOR BREACH OF CONTRACT, FOR BREACH OF COLLATERAL WARRANTY, FOR A TORT (INCLUDING NEGLIGENCE, MISREPRESENTATION OR STRICT LIABILITY) OR BY CLAIMING ANY OTHER CAUSE OF ACTION.

THE WARRANTY IS A CONDITION OF SALE OF THE PRODUCT TO PURCHASER AND WILL THEREFORE APPLY EVEN IF PURCHASER ALLEGES THAT THERE IS A TOTAL FAILURE OF THE PRODUCT.

*N.B. Read and practice your Thomas operating and servicing instructions. Failure to do this may void your warranty.*

PUBLICATION NO. 44208 September 1998

## How to Use Parts Catalogue

1. This parts catalogue covers all components for excavator model T25 S when ordering parts refer to the under mentioned items.

2. To read the parts catalogue:

a) Parts marked with Åñ are composed of assembly parts, \* shows component parts.

b) Originally the parts are shown in essential numbers for unit machine in the column, however, the component parts are meant for unit.

c) Parts marked with Å, in the parts No. column are not supplied by single piece but are supplied in components are assembly.

d) Marks appearing in the column of interchangeability are as follows:

A..... New parts can take place of old parts, but no vice-versa.

B..... No interchangeability between new and old parts.

C..... Discontinued.

D..... Newly added parts.

E..... Both new and old parts applicable.

Q..... Quantity altered.

e) In the column of applicable machines are shown the machine serial numbers for which the parts in the same column are used.

The year and month appearing there instead of machine serial number means the time of alteration.

f) Standards and dimensions of parts are shown in the remarks column.

Note "Inc. ~" in case of supply in assembly.

g) In case of \_\_\_\_\_ line is drawn on the part number, replace that part with the part below.

h) The abbreviations have meaning as follows:

ASSY..... ASSEMBLY

CYL..... CYLINDER

ASS'Y..... ASSEMBLY

COUN..... COUNTER

HYD..... HYDRAULIC

VALA..... VALANCE

H..... HEAD

J..... JOINT

## INDEX

### WORK EQUIPMENT

A11	:	WORK EQUIPMENT (1) .....	2
A12	:	WORK EQUIPMENT (2) .....	4

### UPPER FRAME

B10	:	SWING FRAME .....	8
B15	:	FLOOR PLATE .....	12
B21	:	CONTROL SYSTEM (1) .....	16
B22	:	CONTROL SYSTEM (2) .....	18
B23	:	CONTROL SYSTEM (3) .....	22
B24	:	CONTROL SYSTEM (4) .....	26
B25	:	CONTROL SYSTEM (5) .....	30
B30	:	TANK UNIT .....	34
B40	:	ENGINE COVER .....	38
B50	:	CANOPY .....	42
B61	:	CABIN(1) .....	44
B62	:	CABIN(2) .....	50

### LOWER MACHINE

C11	:	TRACK FRAME (1) .....	54
C12	:	TRACK FRAME (2) .....	58

### POWER UNIT

D21	:	POWER UNIT (1) .....	64
D22	:	POWER UNIT (2) .....	68
D23	:	POWER UNIT (3) .....	72

D24	:	POWER UNIT (4).....	74
-----	---	---------------------	----

### **HYDRAULIC PIPING**

E10	:	WORK EQUIPMENT PIPING.....	78
E21	:	UPPER FRAME PIPING(1).....	82
E22	:	UPPER FRAME PIPING(2).....	86
E23	:	UPPER FRAME PIPING(3).....	88
E24	:	UPPER FRAME PIPING(4).....	92
E25	:	UPPER FRAME PIPING(5).....	96
E30	:	CHASSIS FRAME PIPING.....	98

### **HYDRAULIC COMPONENT**

F11	:	CONTROL VALVE(1).....	102
F12	:	CONTROL VALVE(2).....	106
F20	:	BOOM CYLINDER.....	110
F22	:	ARM CYLINDER.....	114
F24	:	BUCKET CYLINDER.....	118
F26	:	SWING CYLINDER.....	120
F28	:	DOZER CYLINDER.....	122
F40	:	SWIVEL JOINT.....	124
F45	:	PUMP.....	126
F50	:	DRIVE MOTOR.....	128
F55	:	TURNING MOTOR.....	130
F61	:	HYDRAULIC COMPONENT.....	132

## **ELECTRIC SYSTEM**

G10	:	ELECTRIC SYSTEM(1) .....	136
G12	:	ELECTRIC SYSTEM(2) .....	140

## **LABEL**

H10	:	LABEL (ENGLISH) .....	144
-----	---	-----------------------	-----

## **OPTION**

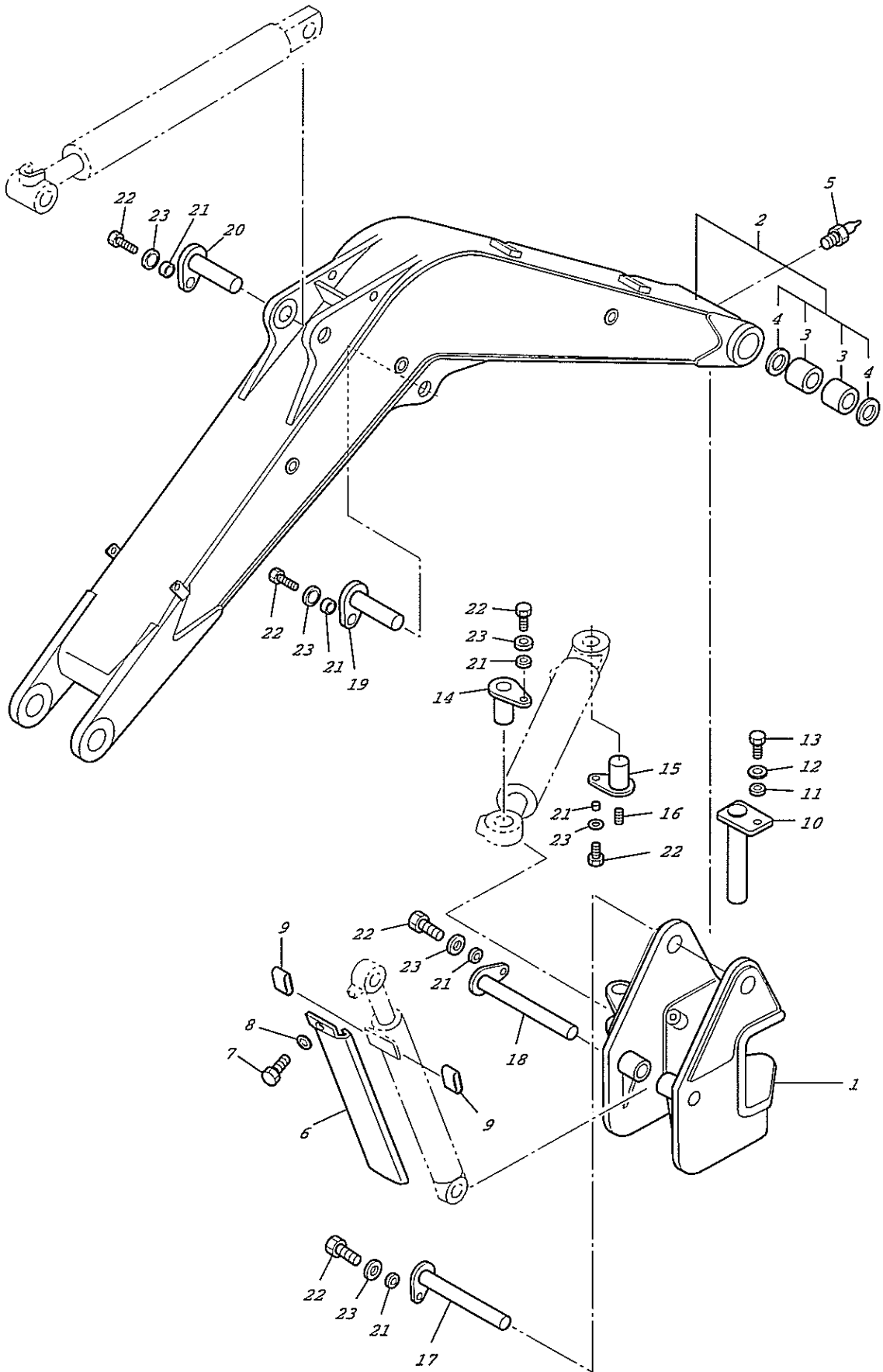
J11	:	OPTION BUCKET .....	148
J12	:	LONG ARM.....	150
J21	:	PTO PIPING .....	152
J22	:	J/D PATTERN PIPING .....	154
J30	:	TOPS ROOF .....	158
J41	:	ARM REST .....	160
J42	:	JOYSTICK VALVE(FOR ARM REST) .....	162

## **ACCESSORY PARTS**

K10	:	TOOLS .....	166
-----	---	-------------	-----

**WORK EQUIPMENT**

WORK EQUIPMENT(1)



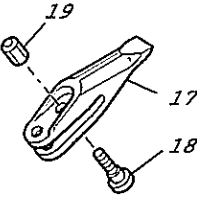
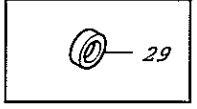
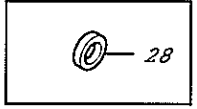
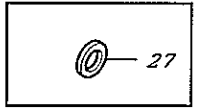
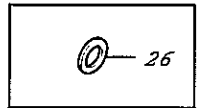


## WORK EQUIPMENT(1)

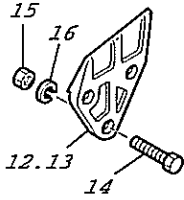
SER. No: NS252001

Key No.	Part No.	Interchange-ability	Part Name	Qty.	Applicable Ser. No.	Remarks
1	MENPS3-11000-1		SWING POST ASS'Y	1		
*2	MENPS3-21000-1		BOOM ASSY	1		INC. 3, 4
3	ME8522-030021		BUSH	2		
4	ME0493-40050-h		SEAL, DUST	2		
5	ME0540-02000-F		NIPPLE, GREASE	1		
6	MENPS3-00001		COVER, BOOM CYL	1		
7	ME0211-12020-a		BOLT	1		
8	ME0389-12000-a		WASHER	1		
9	MENCU3-00002		HOSE, VINYL	2		
10	MENPS3-60400		SWING POST PIN ASSY	1		
11	MEHCA3-60001		COLLAR, POST PIN	1		
12	MEHCA3-60004		WASHER	1		
13	ME0103-16035-a		BOLT	1		
14	MENPS3-60500		PIN	1		
15	MENPS3-60600		PIN	1		
16	ME0545-02000-h		PLUG	1		
17	MENPS3-60700		PIN	1		
18	MENPS3-60800		PIN	1		
19	MENPS3-60900		PIN	1		
20	MENPS3-61100		PIN	1		
21	MEMBC3-00001-1		COLLAR	6		
22	ME0211-12025-a		BOLT	6		
23	ME0389-12000-a		WASHER	6		

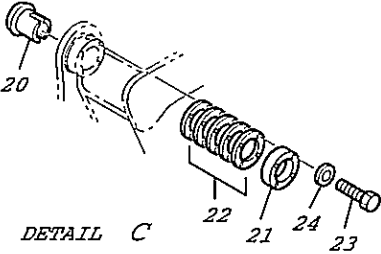
WORK EQUIPMENT(2)



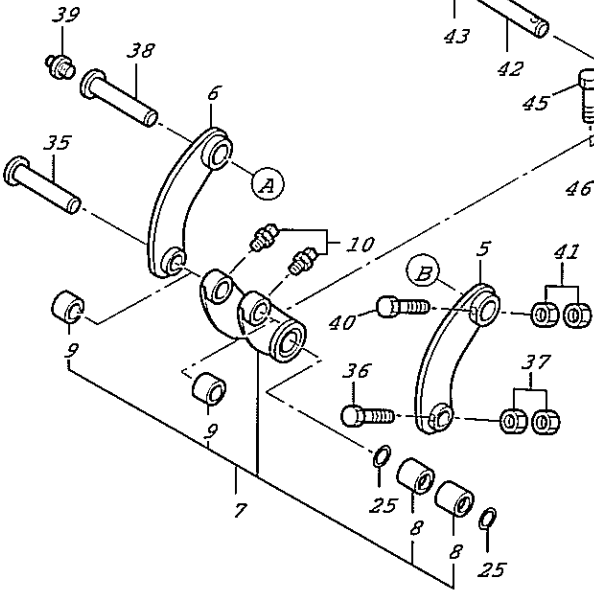
DETAIL A



DETAIL B



DETAIL C



## WORK EQUIPMENT(2)

SER. No: NS252001

Key No.	Part No.	Interchange-ability	Part Name	Qty.	Applicable Ser. No.	Remarks
*1	MENPS3-31000		ARM ASSY	1		INC.2.3
2	ME8522-030022		BUSH	6		
3	ME0493-35045-h		SEAL,DUST	6		
4	ME0540-02000-F		NIPPLE, GREASE	1		
5	MEHBA3-41000		LINK,BUCKET(L)ASSY	1		
6	MEHBA3-42000		LINK,BUCKET(R)ASSY	1		
*7	MEHBA3-43000		DUMP LINK ASSY	1		INC.8.9
8	ME8522-030022		BUSH	2		
9	ME8822-035010		BUSH	2		
10	ME0542-02000-F		NIPPLE, GREASE	2		
*11	MENPS3-51000		BUCKET ASSY	1		INC.12-19
12	ME02-000141		CUTTER, SIDE(R)	1		
13	ME02-000151		CUTTER, SIDE(L)	1		
14	ME0212-12030-a		BOLT	6		
15	ME0311-12000-a		NUT	6		
16	ME0381-12000-a		WASHER&SPRING	6		
17	ME952-62001		TOOTH	4		
18	ME04-103761		BOLT	8		
19	ME04-103771		NUT	8		
20	ME8822-030041		BUSH, SLIDE(A)	1		
21	ME8822-030042		COVER	1		
22	ME8822-030043		SPACER	4~5		
23	ME0211-10030-a		BOLT	4		
24	ME0389-10000-a		WASHER	4		
25	ME30809-00438		O-RING	4		
26	MEMBU3-00020		SHIM(A)	AR		E≥36-t0.5

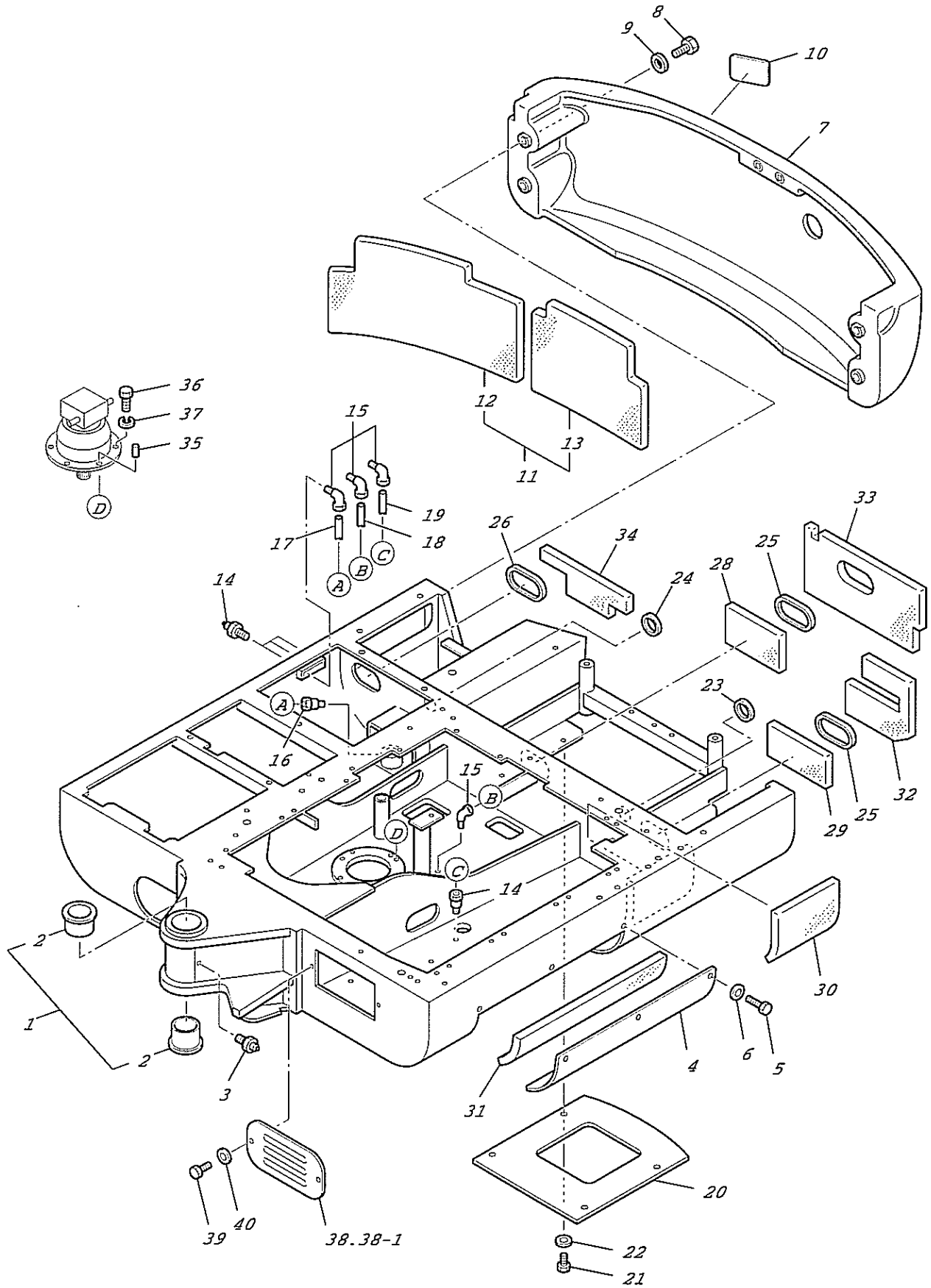
## WORK EQUIPMENT(2)

SER. No: NS252001

Key No.	Part No.	Interchange-ability	Part Name	Qty.	Applicable Ser. No.	Remarks
27	MEMBU3-00021		SHIM(B)	AR		É≥36-t1.0
28	MEMBU3-00022		SHIM(C)	AR		É≥41-t0.5
29	MEMBU3-00023		SHIM(D)	AR		É≥41-t1.0
30	MENPS3-61200		PIN	2		
31	MENPS3-61000		PIN	1	→ NS252022	
31-1	MENPS3-61000-1	A	PIN	1	NS252023 →	
32	MEMBC3-00001-1		COLLAR	3		
33	ME0211-12025-a		BOLT	3		
34	ME0389-12000-a		WASHER	3		
35	ME8522-060006		PIN, BUCKET CYL ROD	1		
36	ME0211-10080-a		BOLT	1		
37	ME0311-10000-e		NUT	2		
38	ME8522-060007		PIN, BUCKET LINK	1		
39	ME0540-02000-F		NIPPLE, GREASE	1		
40	ME0211-10080-a		BOLT	1		
41	ME0311-10000-e		NUT	2		
42	ME8822-060008		PIN, BUCKET	2		
43	ME0540-02000-F		NIPPLE, GREASE	2		
44	ME0211-10110-a		BOLT	1		
45	ME0211-10080-a		BOLT	1		
46	ME0311-10000-e		NUT	4		
47	ME0294-30000-a	D	NUT, U	1	NS252023 →	
48	ME0383-30000-a	D	WASHER	1	NS252023 →	

**UPPER FRAME**

SWING FRAME



## SWING FRAME

SER. No: NS252001

Key No.	Part No.	Interchange-ability	Part Name	Qty.	Applicable Ser. No.	Remarks
*1	MENPS2-10000-1		FRAME, SWING	1		
2	MENPS2-10109		BUSH	2		
3	ME0540-02000-F		NIPPLE, GREASE	1		
4	MENPS2-00009		COVER	1		
5	ME0102-08020-a		BOLT	6		
6	ME0389-08000-a		WASHER	6		
7	MENPS2-00100-1		WEIGHT, COUNTER	1		
8	ME0108-14085-a		BOLT	4		
9	MENOS2-00005		WASHER	4		
10	MENK27-80012		REFLECTOR	2		
*11	MENPS2-00400		URETHANE FOAM ASS'Y	1		INC 12,13
12	MENPS2-00401		URETHANE FOAM(A)	1		
13	MENPS2-00402		URETHANE FOAM(B)	1		
14	ME0540-02000-F		NIPPLE, GREASE	3		
15	ME0731-02004-o		ELBOW, CONNECTOR 90°	4		
16	ME0730-02004-o		ELBOW, CONNECTOR	2		
17	ME0754-04035-o		TUBE, GREASE	1		
18	ME0754-04095-o		TUBE, GREASE	1		
19	ME0754-04130-o		TUBE, GREASE	1		
20	MENPS2-0004		COVER, UNDER	1		
21	ME0102-08020-a		BOLT	4		
22	ME0389-08000-a		WASHER	4		
23	ME0800-60005-o		GROMMET	1		
24	ME0800-60005-s		GROMMET	1		
25	ME0807-00370-o		RUBBER, TRIM	2		
26	ME0807-00260-o		RUBBER, TRIM	1		

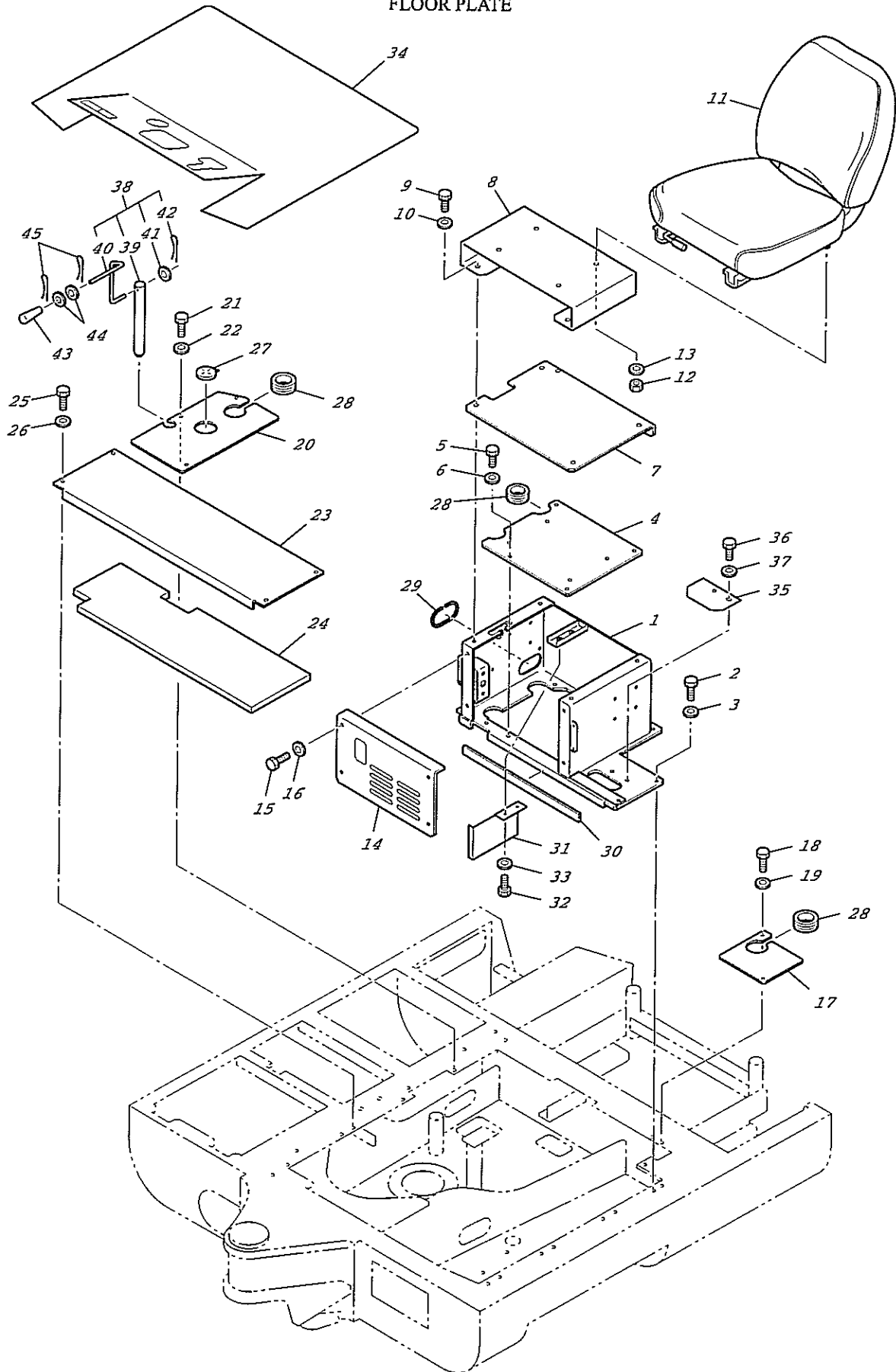
SWING FRAME

SER. No: NS252001

Key No.	Part No.	Interchangeability	Part Name	Qty.	Applicable Ser. No.	Remarks
*27	MENPS2-00600		URETHANE FOAM ASS'Y	1		INC 28-34
28	MENPS2-00601		URETHANE FOAM(A)	1		
29	MENPS2-00602		URETHANE FOAM(B)	1		
30	MENPS2-00603		URETHANE FOAM(C)	1		
31	MENPS2-00604		URETHANE FOAM(D)	1		
32	MENPS2-00605		URETHANE FOAM(E)	1		
33	MENPS2-00606		URETHANE FOAM(F)	1		
34	MENPS2-00607		URETHANE FOAM(G)	1		
35	ME8822-010012		PIN, KNOCK	1		
36	ME0212-12035-a		BOLT	4		
37	ME0389-12000-a		WASHER	4		
38	MENPS2-00500		COVER	1	→ NS252012	
38-1	MENPS2-00500-1	B	COVER	1	NS252013 →	
39	ME0102-08020-a		BOLT	4	→NS252012	
39	ME0102-08020-a	Q	BOLT	2	NS252013 →	
40	ME0389-08000-a		WASHER	4	→NS252012	
40	ME0389-08000-a	Q	WASHER	2	NS252013→	



FLOOR PLATE



## FLOOR PLATE

SER. No: NS252001

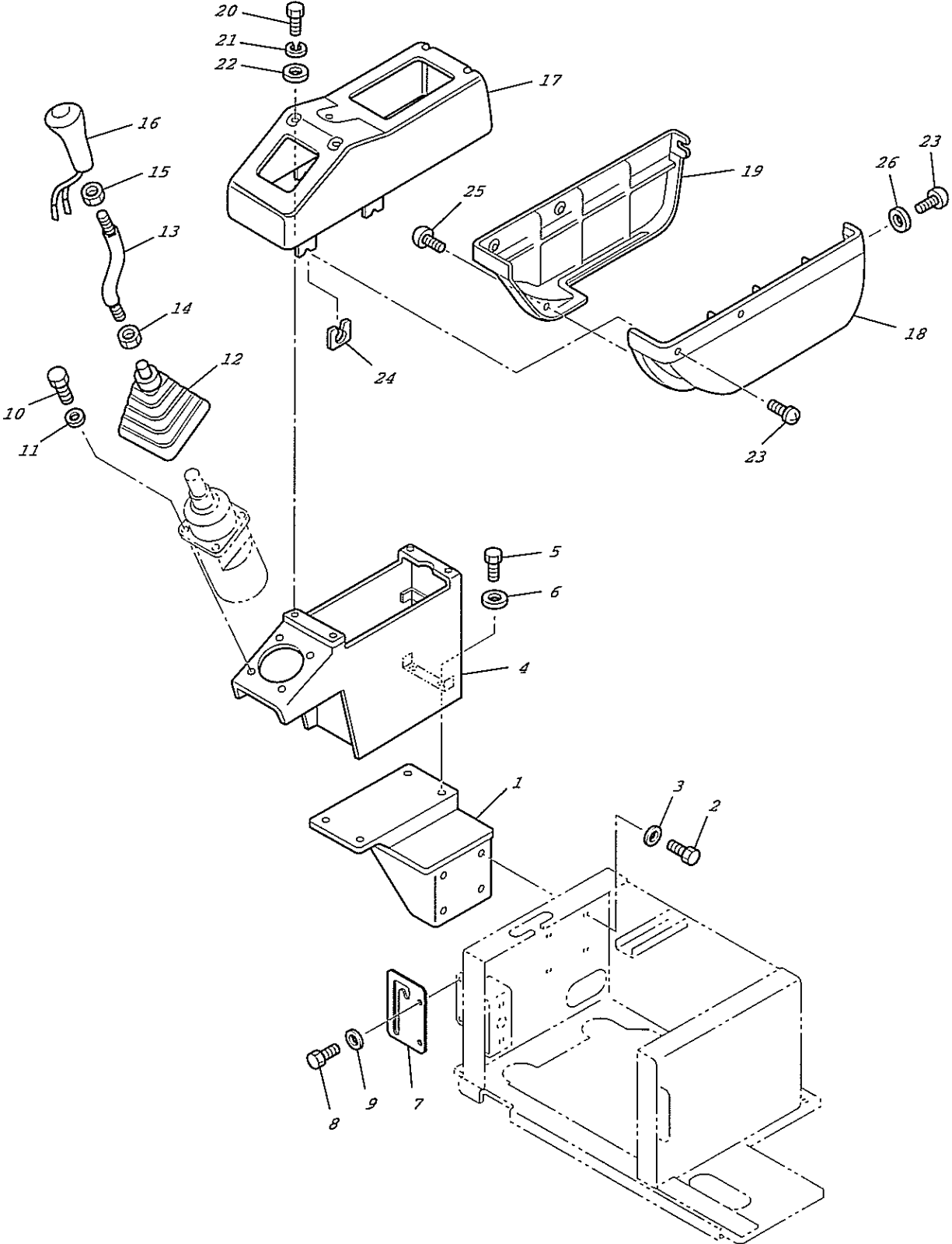
Key No.	Part No.	Interchange-ability	Part Name	Qty.	Applicable Ser. No.	Remarks
1	MENPS2-61000		BOX, SEAT	1		
2	ME0102-08020-a		BOLT	5		
3	ME0389-08000-a		WASHER	5		
4	MENPS2-60700		PLATE, FLOOR(B)ASSY	1		
5	ME0102-08020-a		BOLT	4		
6	ME0389-08000-a		WASHER	4		
7	MENFSH-40001		PLATE, SEAT	1		
8	MENPS2-60002		PLATE, SEAT	1		
9	ME0211-10020-a		BOLT	4		
10	ME0389-10000-a		WASHER	4		
11	MENK27-80013		SEAT	1		
12	ME0251-08000-a		NUT	4		
13	ME0389-08000-a		WASHER	4		
14	MENPS2-60007		COVER	1		
15	ME0101-06015-a		BOLT	4		
16	ME0383-06000-a		WASHER	4		
17	MENPS2-60008-1		PLATE, FLOOR(C)	1		
18	ME0102-08020-a		BOLT	2		
19	ME0389-08000-a		WASHER	2		
20	MENPS2-60003-2		PLATE, FLOOR(D)	1		
21	ME0102-08020-a		BOLT	3		
22	ME0389-08000-a		WASHER	3		
23	MENPS2-60004-1		PLATE, FLOOR(E)	1		
24	MENPS2-60012		URETHANE FOAM	1		
25	ME0102-08020-a		BOLT	4		
26	ME0389-08000-a		WASHER	4		

FLOOR PLATE

SER. No: NS252001

Key No.	Part No.	Interchange-ability	Part Name	Qty.	Applicable Ser. No.	Remarks
27	ME0800-60005-s		GROMMET	1		
28	ME0800-60005-o		GROMMET	3		
29	ME0807-00210-o		RUBBER, TRIM	1		
30	ME0807-00450-o		RUBBER, TRIM	1		
31	MENPS2-60006		BRACKET, ELECTRICAL	1		
32	ME0102-08020-a		BOLT	2		
33	ME0389-08000-a		WASHER	2		
34	MENPS2-60001-1		FLOOR MAT	1		
35	MENPS2-60011		COVER	1		
36	ME0211-10020-a		BOLT	2		
37	ME0389-10000-a		WASHER	2		
*38	MENPS3-61300		SLEW LOCK PIN ASSY	1		INC.39-42
39	MENPS3-61301		PIN	1		
40	MENPS3-61302		BAR	1		
41	ME0383-10000-a		WASHER	1		
42	ME0420-02016-o		PIN, SPLIT	1		
43	ME870-00008		GRIP	1		
44	ME0387-10000-a		WASHER	2		
45	ME0420-02016-o		PIN, SPLIT	2		

CONTROL SYSTEM(1)

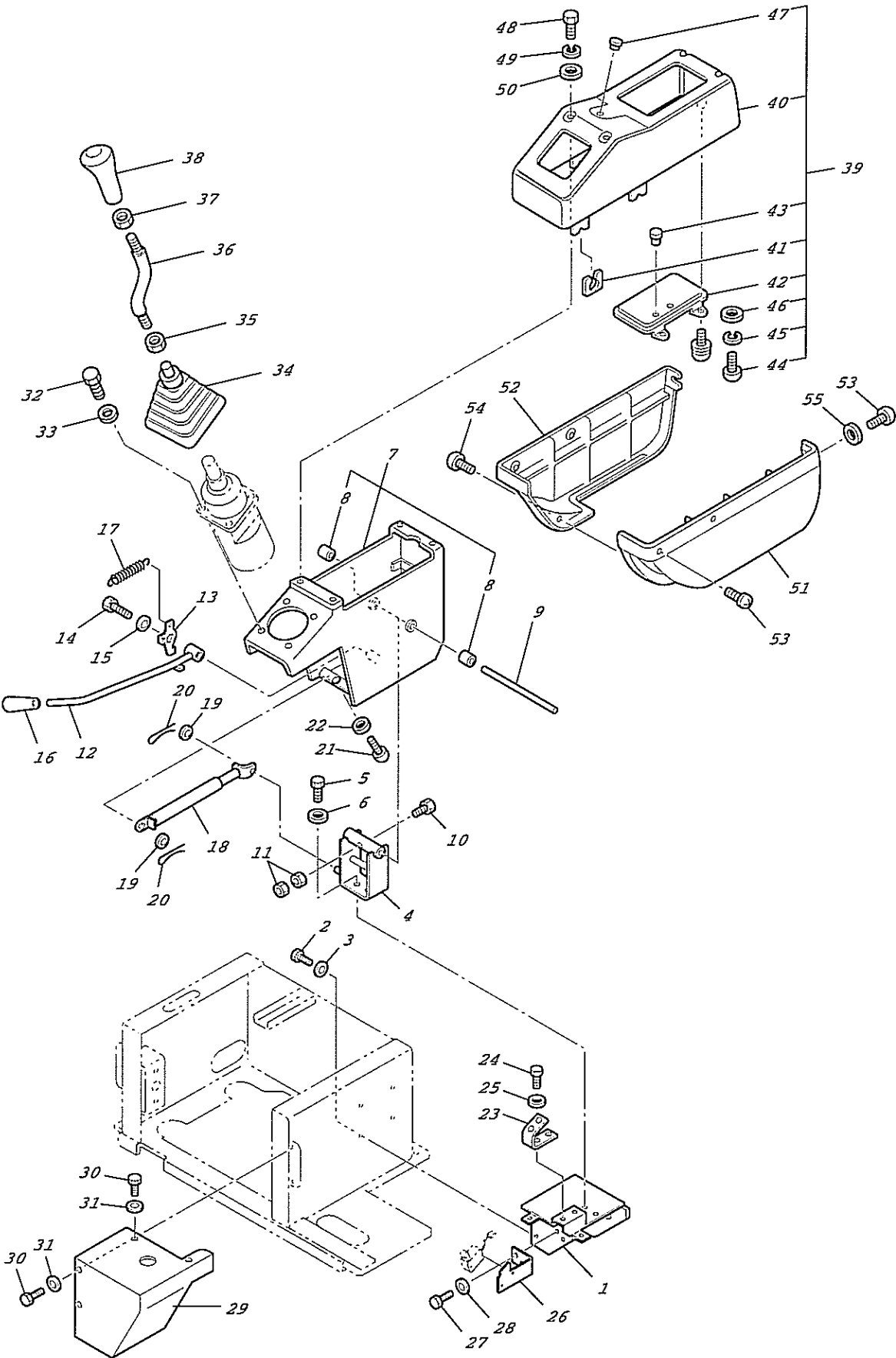


## CONTROL SYSTEM(1)

SER. No: NS252001

Key No.	Part No.	Interchange-ability	Part Name	Qty.	Applicable Ser. No.	Remarks
1	MENFSH-42300		BRACKET(R)	1		
2	ME0102-08020-a		BOLT	4		
3	ME0389-08000-a		WASHER	4		
4	MENFSH-42400		LEVER STAND(R) ASS'Y	1		
5	ME0211-08020		BOLT	4		
6	ME0389-08000		WASHER	4		
7	MENPS4-10004		PLATE	1		
8	ME0102-08015-a		BOLT	2		
9	ME0389-08000-a		WASHER	2		
10	ME0102-06025-a		BOLT	4		
11	ME0383-06000-a		WASHER	4		
12	ME12002-03860-1		BOOTS	1		
13	MENAS4-10600		LEVER, JOYSTICK	1		
14	ME0251-14000-a		NUT	1		
15	ME0257-14000-f		NUT	1		
16	ME41301-01600		GRIP(R)	1		
17	MENK27-80008		VISOR	1		
18	MENK27-80010		COVER(1)	1		
19	MENK27-80011		COVER(2)	1		
20	ME0330-05025-a		SCREW,PANHEAD	4		
21	ME0380-05000-a		WASHER, SPRING	4		
22	ME0383-05000-a		WASHER	4		
23	ME0353-40210-a		SCW, TAPPING	6		
24	ME41301-01740		NUT, SPRING	6		
25	ME0353-40212-a		SCREW, TAPPING	2		
26	MENOS4-10001		WASHER	2		

CONTROL SYSTEM(2)



## CONTROL SYSTEM(2)

SER. No: NS252001

Key No.	Part No.	Interchange-ability	Part Name	Qty.	Applicable Ser. No.	Remarks
1	MENFSH-42600		BRACKET(L)	1		
2	ME0102-08020-a		BOLT	4		
3	ME0389-08000-a		WASHER	4		
4	MENFSH-42800		STAND BRACKET ASSY	1		
5	ME0211-10020-a		BOLT	2		
6	ME0389-10000-a		WASHER	2		
7	MENFSH-42700		LEVER, STAND ASSY	1		
8	ME0480-20025-0		BUSH	2		
9	MENOS2-42001		SHAFT	1		
10	ME0102-06040-a		BOLT	1		
11	ME0251-06000-a		NUT	2		
12	MENFSH-42900		LEVER, LOCK	1		
13	MENFSH-42003		PLATE	1		
14	ME0102-08020-a		BOLT	1		
15	ME0389-08000-a		WASHER	1		
16	ME870-00008		GRIP	1		
17	MENOS2-42003		SPRING, RETURN	1		
18	MENFSH-80001		DAMPER	1		
19	ME0389-10000-a		WASHER	2		
20	ME0420-02020-o		PIN, SPLIT	2		
21	ME30-028401-1		BOLT, PUSH	1		
22	ME0263-10000-f		NUT	1		
23	MENOS2-42002		PLATE, ROCK	1		
24	ME0102-08020-a		BOLT	2		
25	ME0389-08000-a		WASHER	2		
26	MENPS4-10001		BRACKET, SWITCH	1		

## CONTROL SYSTEM(2)

SER. No: NS252001

Key No.	Part No.	Interchange-ability	Part Name	Qty.	Applicable Ser. No.	Remarks
27	ME0102-08025-a		BOLT	2		
28	ME0389-08000-a		WASHER	2		
29	MENPS4-10003-1		COWL	1		
30	ME0102-08015-a		BOLT	4		
31	ME0389-08000-a		WASHER	4		
32	ME0102-06025-a		BOLT	4		
33	ME0383-06000-a		WASHER	4		
34	ME12002-03860-1		BOOTS	1		
35	ME0251-14000-a		NUT	1		
36	MENAS4-10600		LEVER, JOYSTICK	1		
37	ME0257-14000-f		NUT	1		
38	ME41301-01590		GRIP(L)	1		
39	MENK27-80009		CONSOL BOX ASSY	1		
40	MENK27-80008		CONSOL BOX(L)	1		
41	ME41301-01740		NUT, SPRING	6		
42	ME0531-00822		PLATE, PANEL	1		
43	ME0550-00361		GROMMET(2)	2		
44	ME0330-04010-a		SCREW, PANHEAD	4		
45	ME0380-04000-a		WASHER, SPRING	4		
46	ME0383-04000-a		WASHER	4		
47	ME0550-00362		GROMMET(1)	1		
48	ME0330-05025-a		SCREW, PANHEAD	4		
49	ME0380-05000-a		WASHER, SPRING	4		
50	ME0383-05000-a		WASHER	4		
51	MENFSH-43100		COVER(1)	1		
52	MENK27-80011		COVER(2)	1		

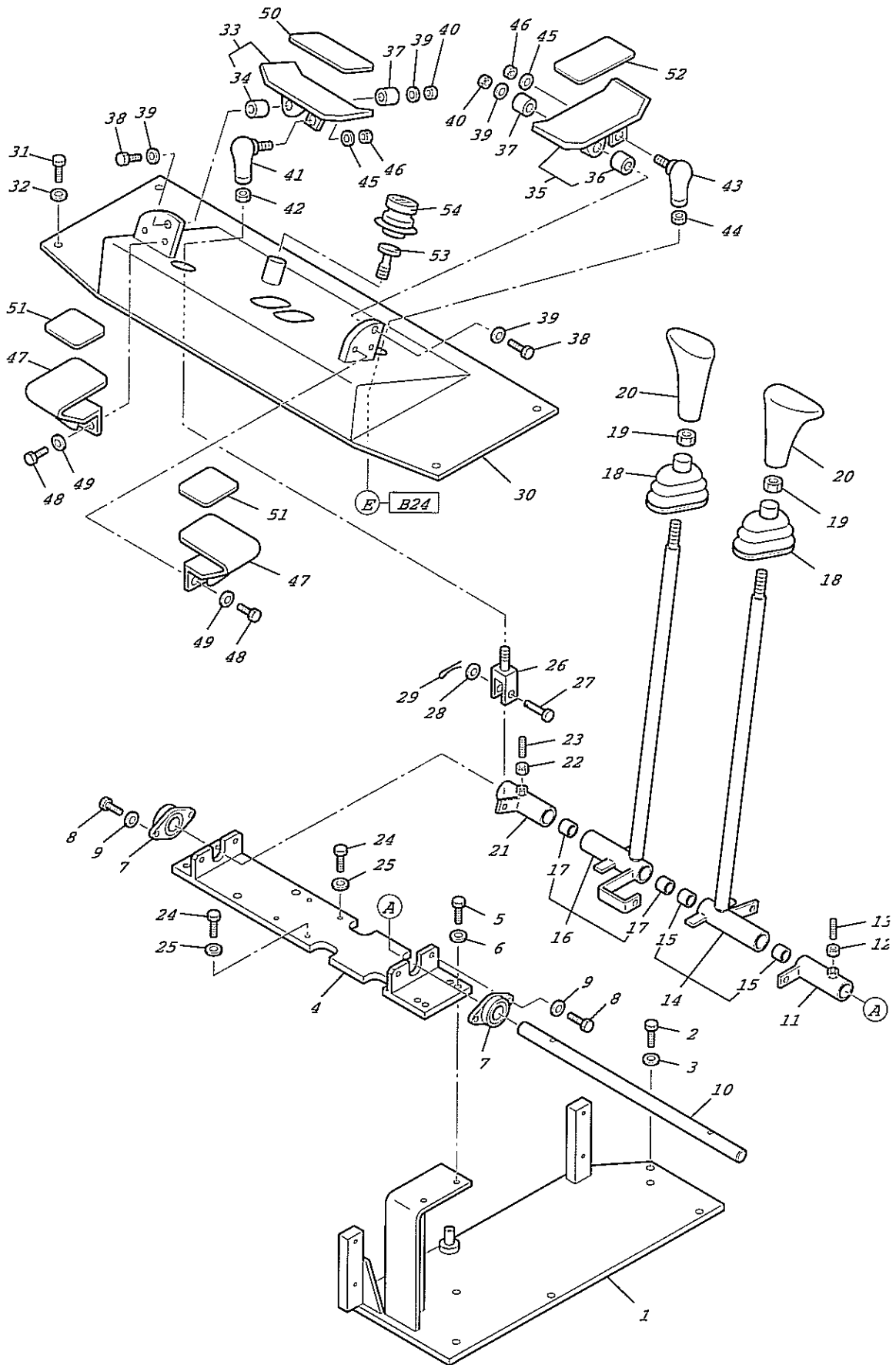


CONTROL SYSTEM(2)

SER. No: NS252001

Key No.	Part No.	Interchange-ability	Part Name	Qty.	Applicable Ser. No.	Remarks
53	ME0353-40210-a		SCREW, TAPPING	6		
54	ME0353-40212-a		SCREW, TAPPING	2		
55	MENAS4-10001		WASHER	2		

CONTROL SYSTEM(3)



## CONTROL SYSTEM(3)

SER. No: NS252001

Key No.	Part No.	Interchange-ability	Part Name	Qty.	Applicable Ser. No.	Remarks
1	MENPS4-20100		VALVE MOUNT	1		
2	ME0211-10025-a		BOLT	3		
3	ME0389-10000-a		WASHER	3		
4	MENPS4-20200		PLATE ASSY	1		
5	ME0211-10025-a		BOLT	4		
6	ME0389-10000-a		WASHER	4		
7	ME30640-60006		UNIT, PILLOW	2		YH-UFL004
8	ME0102-08025-a		BOLT	4		
9	ME0389-08000-a		WASHER	4		
10	MENPS4-20004		SHAFT	1		
11	MENAS4-20600		LINK	1		
12	ME0251-10000-a		NUT	1		
13	ME0344-10025-c		SCREW, SET	1		
14	MENPS4-20400		LEVER, DRIVE(L)	1		
15	ME0480-20020-0		BUSH	2		
16	MENPS4-20300		LEVER, DRIVE(R)	1		
17	ME0480-20020-0		BUSH	2		
18	ME822-00080		BOOTS	2		
19	ME0251-14000-f		NUT	2		
20	ME41301-01610		GRIP	2		
21	MENPS4-20500		LINK, SWING	1		
22	ME0251-10000-a		NUT	1		
23	ME0344-10025-c		SCREW, SET	1		
24	ME0102-08020-a		BOLT	4		
25	ME0251-08000-a		NUT	4		
26	MENOS2-40002		ROD	1		

## CONTROL SYSTEM(3)

SER. No: NS252001

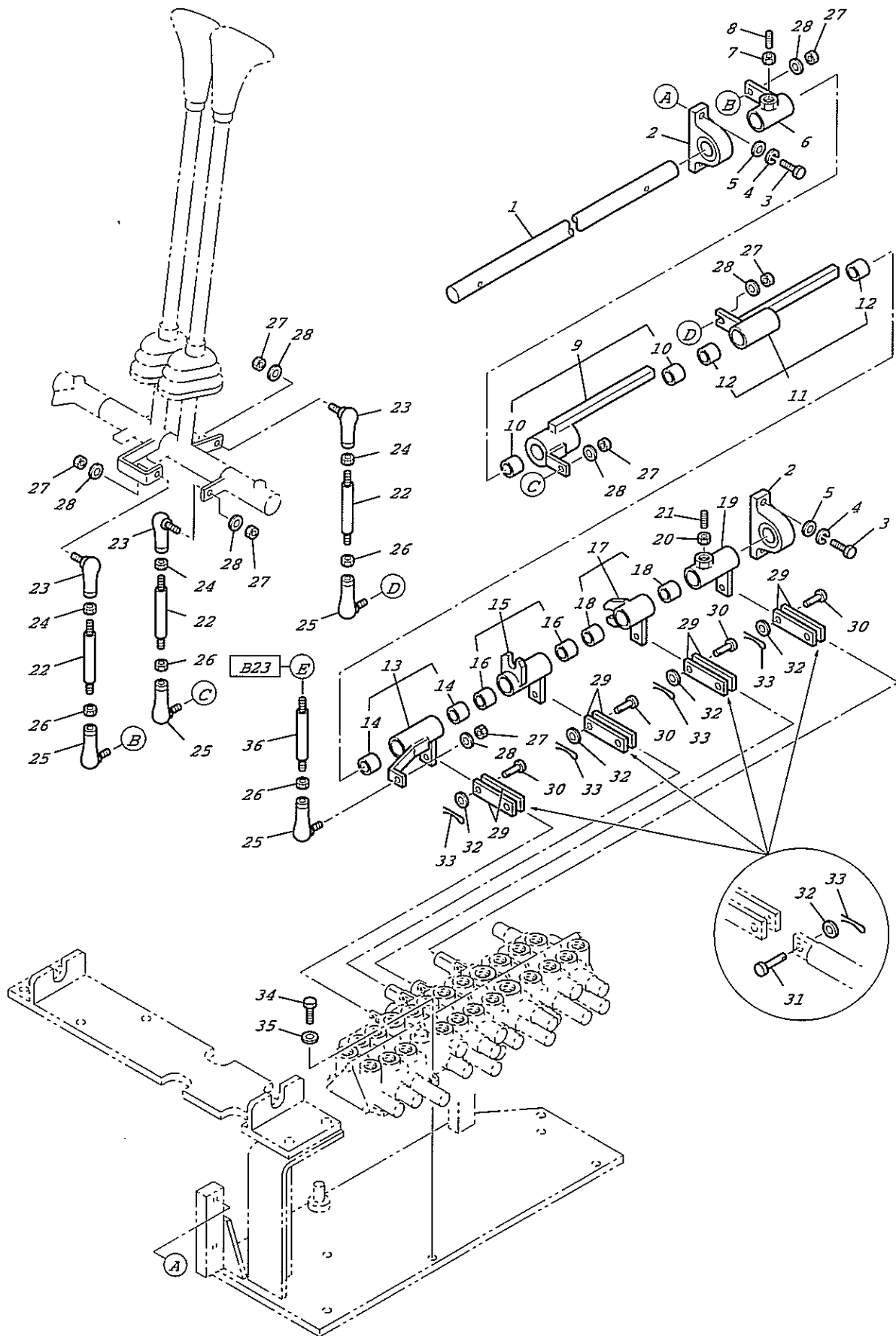
Key No.	Part No.	Interchange-ability	Part Name	Qty.	Applicable Ser. No.	Remarks
27	MENOS2-40005		PIN	1		
28	ME0383-05000-a		WASHER	1		
29	ME0420-01015-a		PIN, SPRIT	1		
30	MENPS4-20600		STAND, LEVER	1		
31	ME0102-08020-a		BOLT	4		
32	ME0389-08000-a		WASHER	4		
33	MENCU2-42600		PEDAL, SWING	1		
34	ME0480-20025-0		BUSH	1		
35	MENPS4-20900		PEDAL, PTO	1		
36	ME0480-20025-0		BUSH	1		
37	MENB50-023013-1		COLLAR	2		
38	ME0211-10055-a		BOLT	2		
39	ME0387-10000-a		WASHER	4		
40	ME0311-10000-e		NUT	2		
41	ME0450-10B15-a		BALL, LINK	1		
42	ME0251-10000-a		NUT	1		
43	ME0450-10B15-b		BALL, LINK	1		
44	ME0251-10000-b		NUT	1		
45	ME0389-10000-a		WASHER	2		
46	ME0251-10000-a		NUT	2		
47	MENCU2-42700		STOPPER, PEDAL	2		
48	ME0102-08015-a		BOLT	4		
49	ME0389-08000-a		WASHER	4		
50	MEMBU6-24001		NONSLIP	1		
51	MEMBU6-27001		NONSLIP	2		
52	MENPS4-20006		NONSLIP	1		

CONTROL SYSTEM(3)

SER. No: NS252001

Key No.	Part No.	Interchange-ability	Part Name	Qty.	Applicable Ser. No.	Remarks
53	MEMBC6-26001		SHAFT	1		
54	ME144-2317		BOOT	1		

CONTROL SYSTEM(4)



## CONTROL SYSTEM(4)

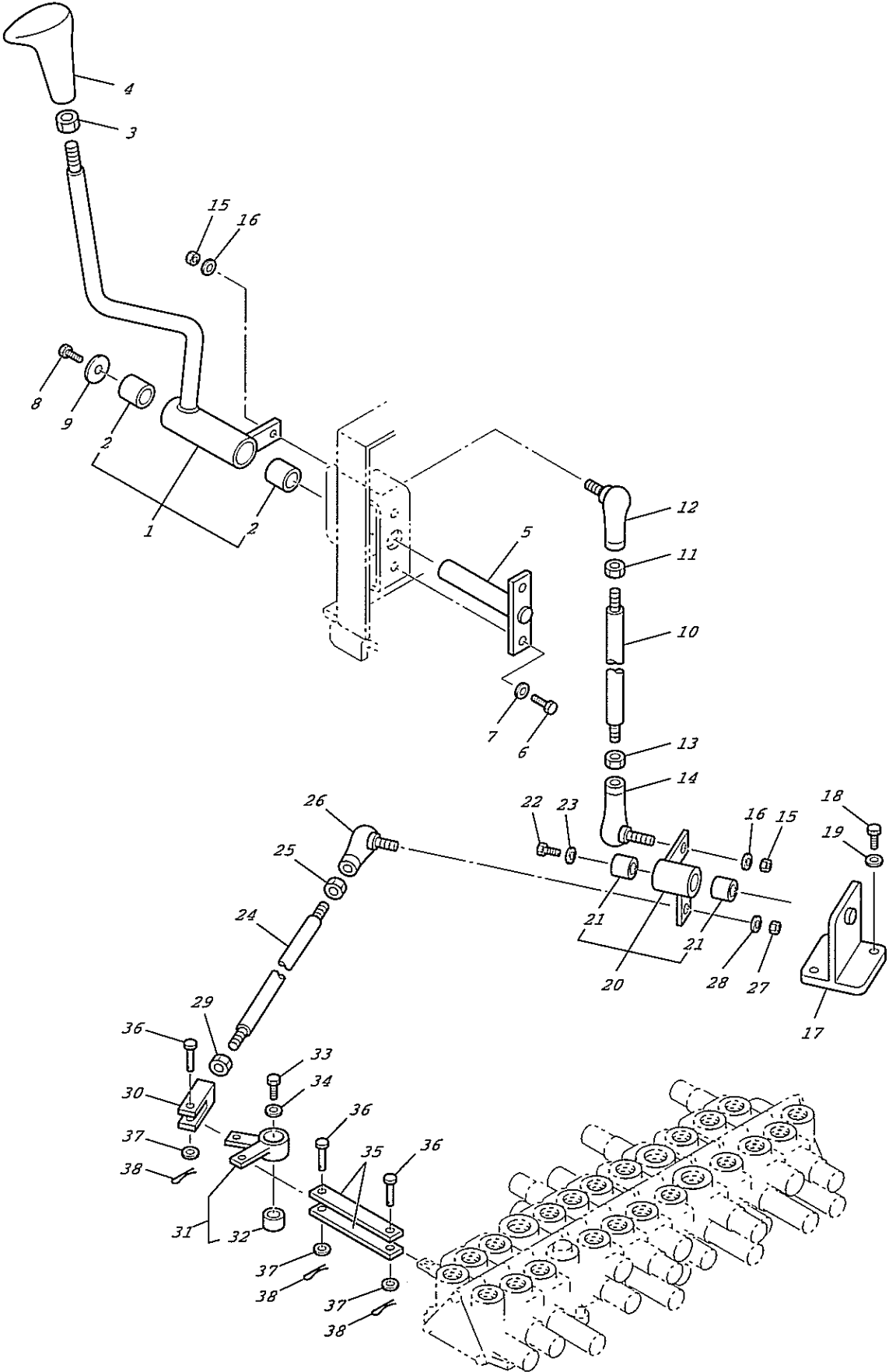
SER. No: NS252001

Key No.	Part No.	Interchange-ability	Part Name	Qty.	Applicable Ser. No.	Remarks
1	MENAS4-20002		SHAFT	1		
2	ME30640-60005		UNIT, PILLOW	2		
3	ME0102-08025-a		BOLT	4		
4	ME0380-08000-a		WASHER, SPRING	4		
5	ME0389-08000-a		WASHER	4		
6	MENPS4-21200		LINK, DRIVE	1		
7	ME0251-10000-a		NUT	1		
8	ME0344-10025-c		SCREW, SET	1		
9	MENK27-41500		LINK	1		
10	ME0480-20020-0		BUSH	2		
11	MENK27-41300		LINK	1		
12	ME0480-20020-0		BUSH	2		
13	MENK27-41700		LINK, PTO	1		
14	ME0480-20020-0		BUSH	2		
15	MENK27-41600		LINK	1		
16	ME0480-20020-0		BUSH	2		
17	MENK27-41400		LINK	1		
18	ME0480-20020-0		BUSH	2		
19	MENAS4-204000		LINK	1		
20	ME0251-10000-a		NUT	1		
21	ME0344-10025-c		SCREW, SET	1		
22	MENPS4-20005		ROD	3		
23	ME0450-10B15-b		BALL, LINK(L)	3		
24	ME0251-10000-b		NUT(L)	3		
25	ME0450-10B15-a		BALL, LINK	4		
26	ME0251-10000-a		NUT	4		





CONTROL SYSTEM(5)



## CONTROL SYSTEM(5)

SER. No: NS252001

Key No.	Part No.	Interchange-ability	Part Name	Qty.	Applicable Ser. No.	Remarks
1	MENPS4-21000		LEVER, DOZER	1		
2	ME0480-20020-0		BUSH	2		
3	ME0257-14000-f		NUT	1		
4	MENK27-80700		GRIP	1		TBS-45500
5	MENPS4-20800		SHAFT	1		
6	ME0211-10020-a		BOLT	2		
7	ME0389-10000-a		WASHER	2		
8	ME0211-10020-a		BOLT	1		
9	ME0387-10000-a		WASHER	1		
10	MENPS4-20003		ROD(I)	1		
11	ME0251-10000-b		NUT(L)	1		
12	ME0450-10B15-b		BALL, LINK(L)	1		
13	ME0251-10000-a		NUT	1		
14	ME0450-10B15-a		BALL, LINK	1		
15	ME0251-10000-a		NUT	2		
16	ME0389-10000-a		WASHER	2		
17	MENPS4-21300		BRACKET, LINK	1		
18	ME0211-10025-a		BOLT	2		
19	ME0389-10000-a		WASHER	2		
20	MENPS4-20700		LINK	1		
21	ME0480-15020-0		BUSH	2		
22	ME0102-08020-a		BOLT	1		
23	ME0387-08000-a		WASHER	1		
24	MENK27-41001		ROD	1		
25	ME0251-10000-b		NUT(L)	1		
26	ME0450-10B15-b		BALL, LINK(L)	1		

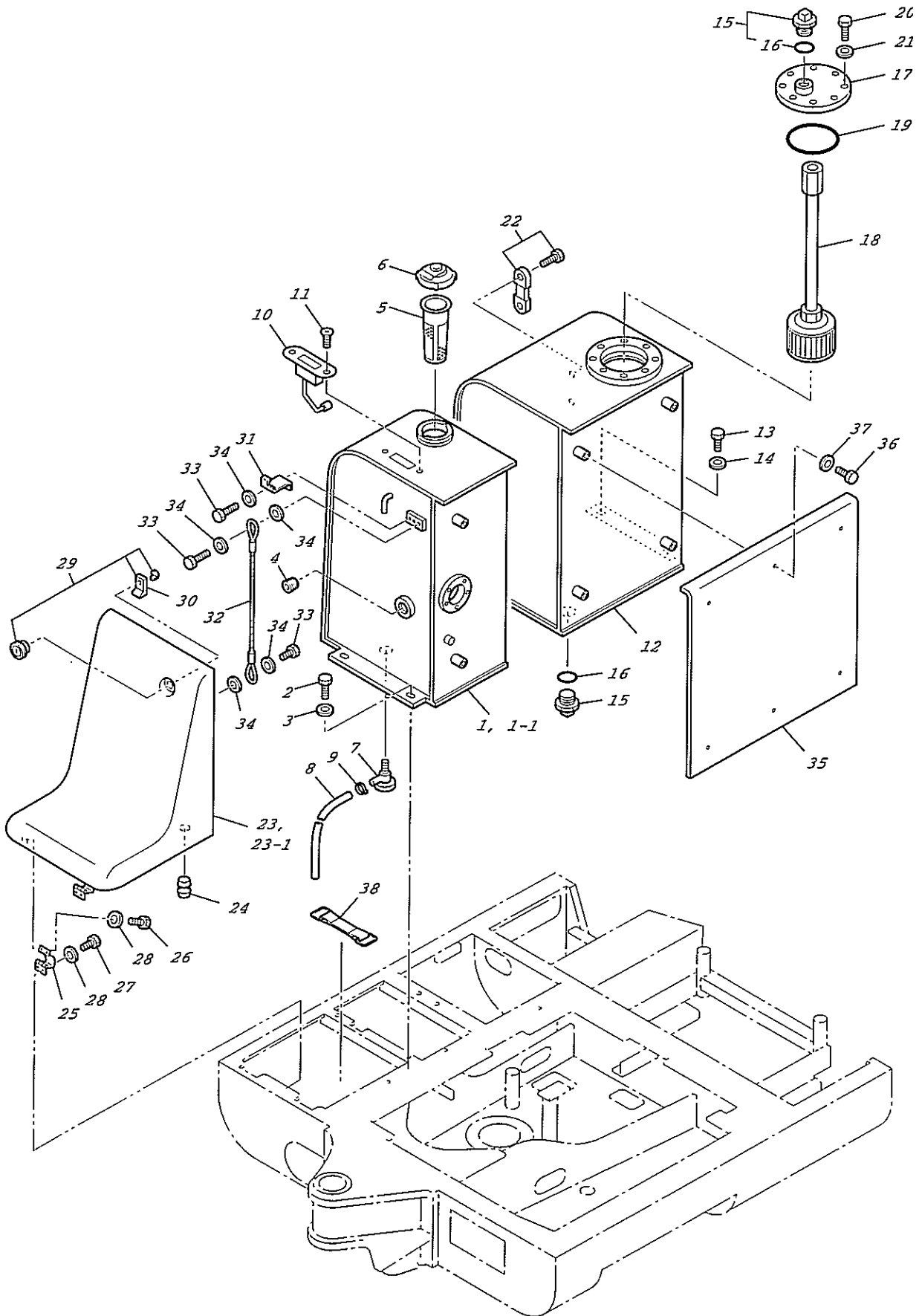
CONTROL SYSTEM(5)

SER. No: NS252001

Key No.	Part No.	Interchange-ability	Part Name	Qty.	Applicable Ser. No.	Remarks
27	ME0251-10000-a		NUT	1		
28	ME0389-10000-a		WASHER	1		
29	ME0251-10000-a		NUT	1		
30	MENOS2-40003		END, ROD	1		
31	MENPS4-21100		LINK	1		
32	ME0480-15025-0		BUSH	1		
33	ME0102-08025-a		BOLT	1		
34	ME0387-08000-a		WASHER	1		
35	MENPS4-20002		PLATE	2		
36	MENOS2-40005		PIN,CLEVIS	3		
37	ME0383-05000-a		WASHER	3		
38	ME0420-01015-o		PIN,SPLIT	3		

B30

TANK UNIT



## TANK UNIT

SER. No: NS252001

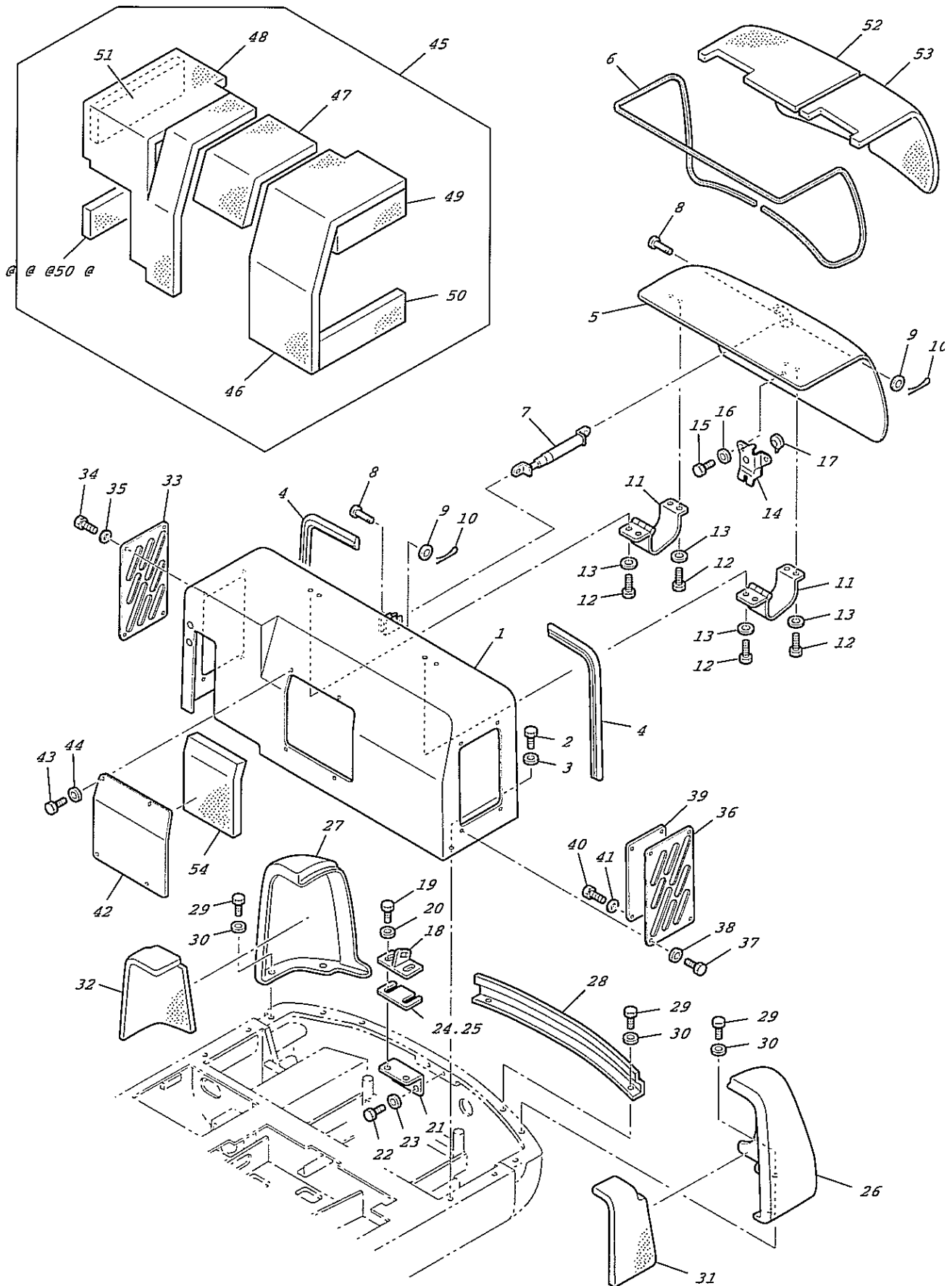
Key No.	Part No.	Interchangeability	Part Name	Qty.	Applicable Ser. No.	Remarks
1	MENPS2-21000-1		TANK, FUEL	1	→ NS252022	
1-1	MENPS2-21000-2	A	TANK, FUEL	1	NS252023 →	
2	ME0211-10025-a		BOLT	3		
3	ME0389-10000-a		WASHER	3		
4	ME0545-12000-h		PLUG	1		
5	ME562-00900		STRAINER	1		
6	MENAS8-00010		CAP, TANK	1		
7	ME41301-01430		COCK, DRAIN	1		
8	ME0757-10017-o		HOSE, VINYL	1		
9	ME0760-11500-o		CLIP	1		
10	MEPA-5219		GAUGE, FUEL	1		
11	ME0331-06015-a		SCREW FLAT HEAD	2		
12	MENPS2-22000-1		TANK, HYDOIL	1		
13	ME0211-10025-a		BOLT	3		
14	ME0389-10000-a		WASHER	3		
15	ME30554-61024		PLUG	2		
16	ME0490-00029-a		O-RING	1		
17	MENAS2-20100		COVER	1		
18	ME40701-00360		STRAINER, SUCTION	1		
19	ME0491-00125-a		O-RING	1		
20	ME0102-08015-a		BOLT	6		
21	ME0389-08000-a		WASHER	6		
22	ME41301-01240		GAUGE, LEVEL	1		
23	MENPS2-20100		COVER, BATTERY	1	→ NS252022	
23-1	MENPS2-20100-1	A	COVER, BATTERY	1	NS252023 →	
24	ME0909-00000		CUSHION RUBBER	2		

TANK UNIT

SER. No: NS252001

Key No.	Part No.	Interchange-ability	Part Name	Qty.	Applicable Ser. No.	Remarks
25	MEHCA2-23001-1		HINGE	2		
26	ME0102-08020-a		BOLT	4		
27	ME0102-08012-a		BOLT	4		
28	ME0389-08000-a		WASHER	8		
*29	ME41301-01630		CYLINDER KEY ASSY	1		
30	MEHCA2-23002		PLATE, LOCK	1		
31	MENK27-23011		PLATE, LOCK	1		
32	MENK27-80005		WIRE, ROPE	1		
33	ME0102-08010-a		BOLT	4		
34	ME0389-08000-a		WASHER	6		
35	MENPS2-20001		COVER, TANK	1		
36	ME0102-08015-a		BOLT	6		
37	ME0387-08000-a		WASHER	6		
38	ME12002-02900		BAND, RUBBER	1		

ENGINE COVER



## ENGINE COVER

SER. No: NS252001

Key No.	Part No.	Interchange-ability	Part Name	Qty.	Applicable Ser. No.	Remarks
1	MENPS2-51000		COVER, ENGINE(A) ASS'Y	1		
2	ME0211-12035-a		BOLT	4		
3	ME0389-12000-a		WASHER	4		
4	MEMBU2-40011		WEATHER STRIP	2		
5	MENPS2-52000		COVER, ENGINE(B) ASS'Y	1		
6			WEATHER STRIP	1		AY-43(2000L)
7	MENPS8-00001		DAMPER	1		
8	ME071340093		PIN	2		
9	ME0389-08000-a		WASHER	2		
10	ME0420-25020-o		PIN, SPLIT	2		
11	MEHCA2-70100		HINGE	2		
12	ME0102-08015-a		BOLT	8		
13	ME0387-08000-a		WASHER	8		
14	ME41301-01620		LOCK, COVER	1		
15	ME0101-06015-a		BOLT	2		
16	ME0383-06000-a		WASHER	2		
17	ME41301-01630		CYLINDER KEY ASS'Y	1		
18	MENOS2-50400		BRACKET, LATCH	1		
19	ME0102-08025-a		BOLT	2		
20	ME0387-08000-a		WASHER	2		
21	MENPS2-50200		BRACKET ASS'Y	2		
22	ME0102-08025-a		BOLT	2		
23	ME0387-08000-a		WASHER	2		
24	MENOS2-50005		SHIM	AR		
25	MENOS2-50006		SHIM	AR		
26	MENPS2-00001-1		GUARD(L)	1		



## ENGINE COVER

SER. No: NS252001

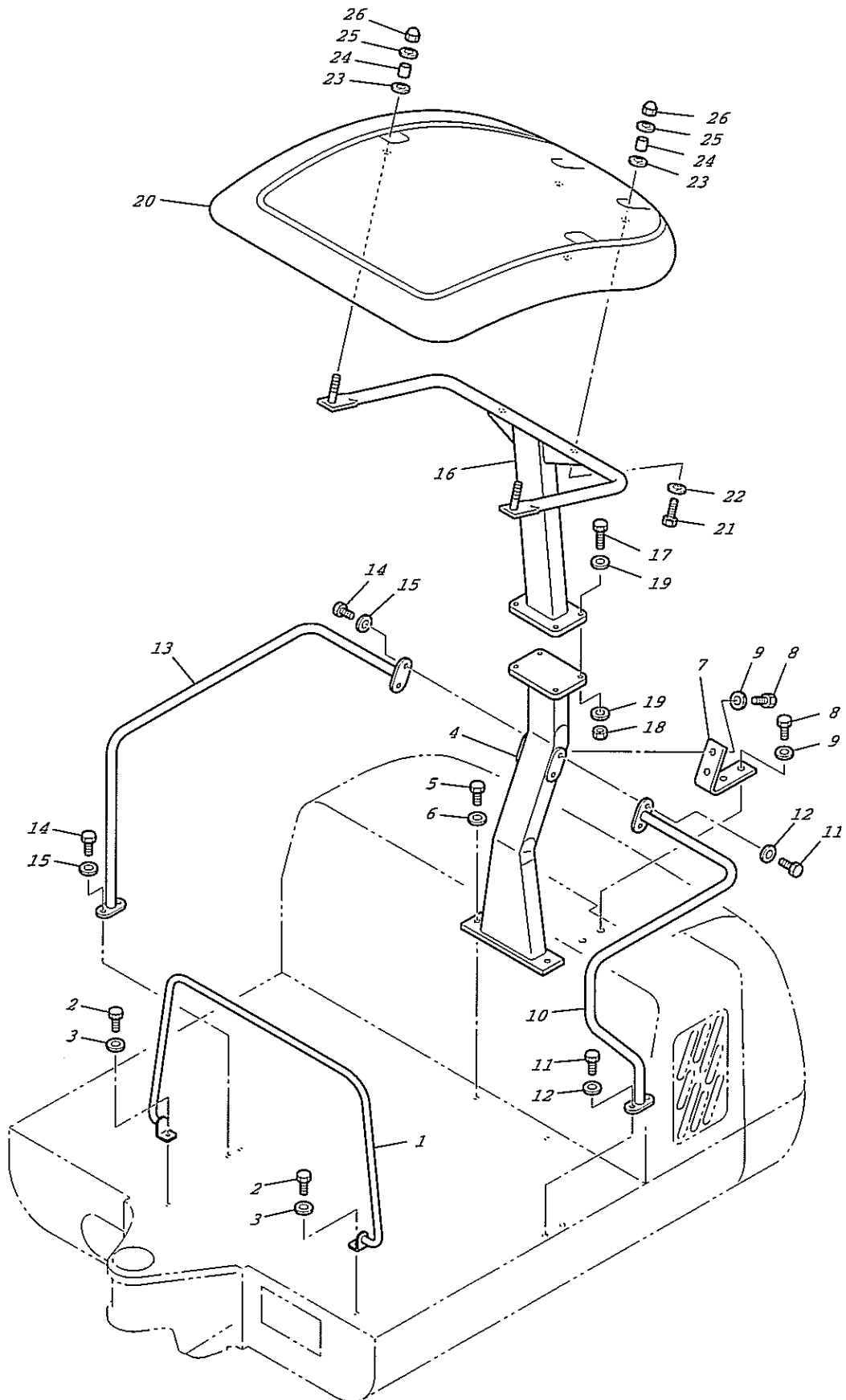
Key No.	Part No.	Interchange-ability	Part Name	Qty.	Applicable Ser. No.	Remarks
27	MENPS2-00002-1		GUARD(R)	1		
28	MENPS2-00003		GUARD (CENTER)	1		
29	ME0211-12035-a		BOLT	6		
30	ME0389-12000-a		WASHER	6		
31	MENPS2-00006		URETHANE FOAM(L)	1		
32	MENPS2-00007		URETHANE FOAM(R)	1		
33	MENPS2-50002-1		COVER(R)	1		
34	ME0101-06015-a		BOLT	4		
35	ME0383-06000-a		WASHER	4		
36	MENPS2-50300		COVER(L) ASS'Y	1		
37	ME0101-06015-a		BOLT	4		
38	ME0383-06000-a		WASHER	4		
39	MENPS2-50006-1		COVER(L)	1		
40	ME0101-06015-a		BOLT	2		
41	ME0383-06000-a		WASHER	2		
42	MENPS2-50007		COVER, FRONT	1		
43	ME0102-08025-a		BOLT	4		
44	ME0389-08000-a		WASHER	4		
*45	MENPS2-50100-1		URETHANE FOAM ASS'Y	1		INC.46-51
46	MENPS2-50101		URETHANE FOAM(A)	1		
47	MENPS2-50102		URETHANE FOAM(B)	1		
48	MENPS2-50103		URETHANE FOAM(C)	1		
49	MENPS2-50104		URETHANE FOAM(D)	1		
50	MENPS2-50105		URETHANE FOAM(E)	2		
51	MENPS2-50106		URETHANE FOAM(F)	1		
52	MENPS2-50003		URETHANE FOAM(G)	1		

ENGINE COVER

SER. No: NS252001

Key No.	Part No.	Interchange- ability	Part Name	Qty.	Applicable Ser. No.	Remarks
53	MENPS2-50008		URETHANE FOAM(B)	1		
54	MENPS2-50004		URETHANE FOAM	1		

CANOPY

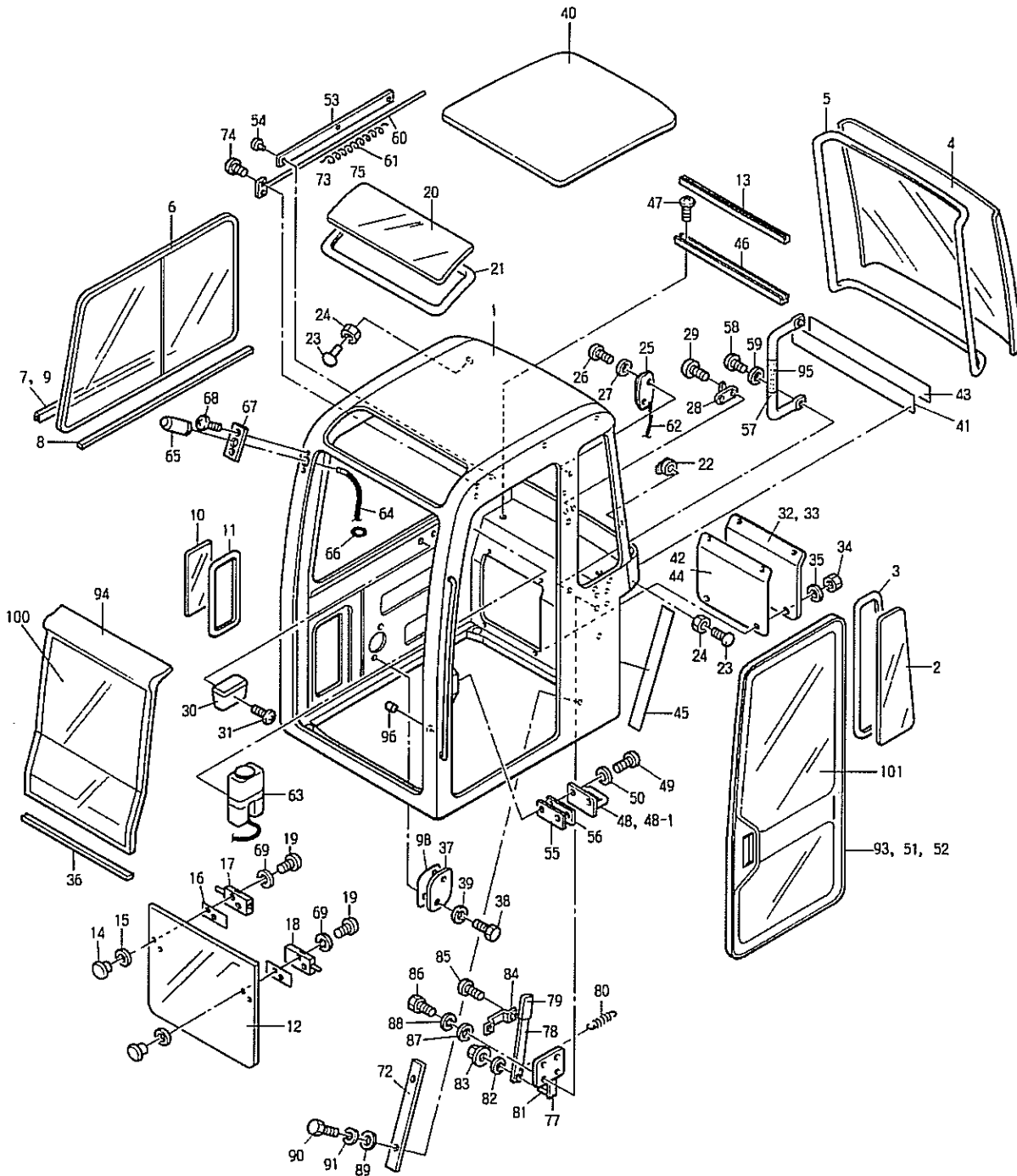


## CANOPY

SER. No: NS252001

Key No.	Part No.	Interchange-ability	Part Name	Qty.	Applicable Ser. No.	Remarks
1	MENPS2-60800		RAIL, HAND ASS'Y	1		
2	ME0211-12030-a		BOLT	2		
3	ME0389-12000-a		WASHER	2		
4	MENPS2-60500		POST, ROOF	1		
5	ME0211-12025-a		BOLT	2		
6	ME0389-12000-a		WASHER	2		
7	MENPS2-60010		BRACKET, ROOF POST	1		
8	ME0211-10020-a		BOLT	4		
9	ME0389-10000-a		WASHER	4		
10	MENPS2-60300		RAIL, HAND(L) ASS'Y	1		
11	ME0211-10020-a		BOLT	4		
12	ME0389-10000-a		WASHER	4		
13	MENPS2-60400		RAIL, HAND(R) ASS'Y	1		
14	ME0211-10020-a		BOLT	4		
15	ME0389-10000-a		WASHER	4		
16	MENOS2-60600-1		BRACKET, ROOF ASS'Y	1		
17	ME0211-10030-a		BOLT	4		
18	ME0311-10000-a		NUT	4		
19	ME0389-10000-a		WASHER	8		
20	MENOS2-60700		ROOF ASS'Y	1		
21	ME0211-10055-a		BOLT	2		
22	ME0389-10000-a		WASHER	2		
23	ME0387-10000-a		WASHER	4		
24	ME140-3354		SPACER(E)	4		
25	ME140-3355		RUBBER, PLATE	4		
26	ME0270-10000-a		NUT	4		

CABIN(1)



## CABIN(1)

SER. No: NS252001

Key No.	Part No.	Interchangeability	Part Name	Qty.	Applicable Ser. No.	Remarks
*1	ME01200-00550-1		CABIN ASS'Y	1		INC. 2-101
2	MEG03 GLA 12352		GLASS	1		
3	MES00 HRU AC200		H. RUBBER	1		2000
4	MEG03 GLA 12353		GLASS	1		
5	MES00 HRU AC350		H. RUBBER	1		3500
6	MEG03 SHS 12390		SASH ASS'Y	1		
7	MES00 TRM DC310		TRIM	1		3100
8	ME286 SPA 11269		SPACER	7		
9			SEALING	1		
10	MEG03 GLA 12354		GLASS	1		
11	MES00 HRU AB140		H. RUBBER	1		1400
12	MEG03 GLA 12355		GLASS	1		
13	MES16 STP 10161		STOPPER	3		
14	MES16 RET 10106		RETAINER	6		
15	MES16 PAC 10107		PACKING	6		
16	MES16 SEA 10112		SEAL	2		12
17	MEG03 LAT 12392		LATCH	1		
18	MEG03 LAT 12391		LATCH	1		
19	ME0330-05010-a		SCREW, PAN HEAD	6		
20	MEG03 PLA 12356		PLATE, ROOF	1		15
21	MES00 HRU AC230		H. RUBBER	1		2300
22	ME286 GRM 11266		GROMMET	2		
23	ME286 STP 11267		STOPPER	3		
24	ME0263-12000-a		NUT	3		
25	MEZ14-LAM-11021		LAMP, ROOM	1		12V
26	ME0330-04010-a		SCREW, PAN HEAD	2		

## CABIN(1)

SER. No: NS252001

Key No.	Part No.	Interchange-ability	Part Name	Qty.	Applicable Ser. No.	Remarks
27	ME0380-04000-a		WASHER, SPRING	2		
28	MEG7B HAN 10597		HANGER	1		
29			SCREW	2		À{° M4Å-10
30	MEZ14 ASH 11059		ASH TRAY	1		
31			TAPPING, SCREW	3		M4Å-8
32	MEG03 PLA 60301		PLATE	1		
33	MEG03 SEA 12357		SEAL	1		
34	ME0263-08000-a		NUT	4		
35	ME0380-08000-a		WASHER, SPRING	4		
36	MEG03 STP 12387		STOPPER	2		
37	MEG03 COV 60302		COVER	1		
38	ME0121-06012-a		BOLT	2		
39	ME0380-06000-a		WASHER, SPRING	2		
40	MEG03 INS 12358		BOARD	1		
41	MEG03 INS 12359		INSULATION	1		
42	MEG03 INS 12360		INSULATION	1		
43	MEG03 RUB 12361		RUBBER	1		
44	MEG03 RUB 12362		RUBBER	1		
45	MEG03 INS 12363		INSULATION	1		
46	MEG03 PLA 60303		PLATE	1		
47	ME0330-04006-a		SCREW, PAN HEAD	2		
48	MED11-STR-11459		STRIKER	1		
48-1	MENFST-00003		STRIKER	1		
49	MEG03-SCR-12369		SCREW	2		M10Å-25
50	ME286 WAS 11282		WASHER	2		M10
51	MES00 SEA EG390		SEAL	1		3900

## CABIN(1)

SER. No: NS252001

Key No.	Part No.	Interchangeability	Part Name	Qty.	Applicable Ser. No.	Remarks
52	MES00 SEA BG410		SEAL	1		L=4100
53	MEG03 FIN 60306		FINISHER	2		
54	MEG03 RIV 12370		RIVET	6		
55	MEG03 SHM 60307		SHIM	1		t=2, 3
56			SHIM	1		t=1, 6
57	MEG03 HAN 12371		HANDLE	1		
58	ME0121-10015-a		BOLT	2		
59	ME0383-10000-a		WASHER	2		
60	MES16 CLP 10101		CLIP	4		
61	MEG03 HAR 12385		HARNESS	1		
62	MEG03 HAR 12386		HARNESS	1		
63	MEG03 WWA 12388		TANK, WASHER	1		12V
64	MEZ14 HOS 11073		HOSE	1		
65	ME286 NOZ 11540		NOZZLE	1		
66			GROMMET	3		É≥15
67	MEG03 PLA G0323		PLATE	1		
68			SCREW, TAPPING	2		M4Å~10
69	ME0380-05000-a		WASHER, SPRING	6		
70	MEG03 RUB 12364		RUBBER	1		
71						
72	ME286 PLA 11337		PLATE	2		
73	MEG03 BAR 60324		BAR	1		
74	ME0330-05010-a		SCREW, PANHEAD	2		
75	MEG03 RIN 12389		RING	1		
76						
77	MED21 LOC 11890		LOCK ASS'Y	1		

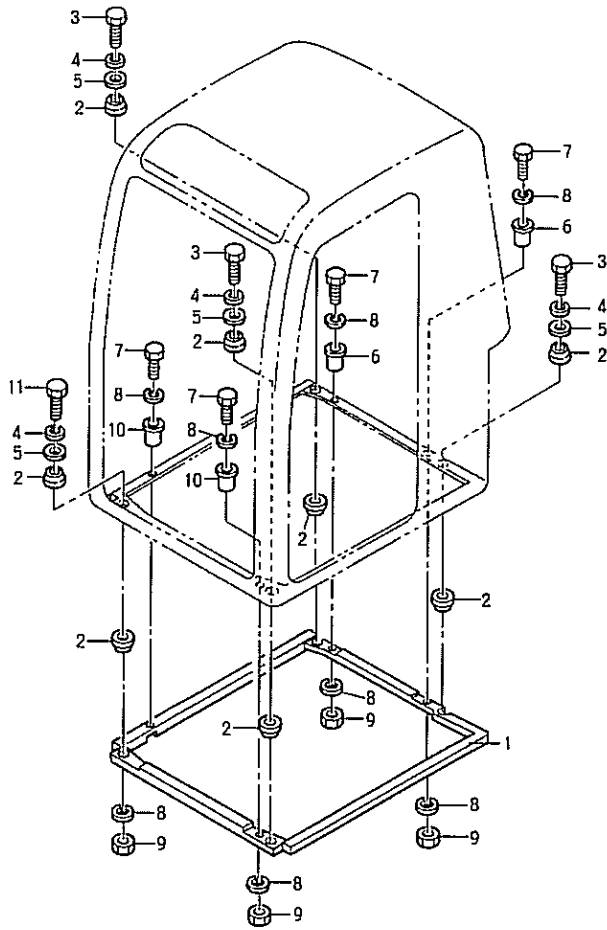


## CABIN(1)

SER. No: NS252001

Key No.	Part No.	Interchange-ability	Part Name	Qty.	Applicable Ser. No.	Remarks
78	MEG03 LEV 60327		LEVER	1		
79	MEZ14 COV 11032		COVER	1		
80	MED21 SPR 11891		SPRING	1		
81	MED31 PIN 10737		PIN	1		
82	ME0383-06000-a		WASHER	1		
83			NUT	1		
84	MEG03 LEV 60328		GUIDE	1		
85	ME0330-06016-a		SCREW, PANHEAD	2		
86	ME0121-08020-a		BOLT	4		
87	ME0383-08000-a		WASHER	4		
88	ME0380-08000-a		WASHER, SPRING	4		
89	MEG03 SPA 60329		SPACER	1		
90	ME0121-06012-a		BOLT	2		
91	ME0380-06000-a		WASHER, SPRING	2		
92	ME0383-06000-a		WASHER	2		
93	MEG03 A00 12401		DOOR ASSY	1		
94	MEG03 A00 12402		F.DOOR ASSY	1		
95	MEG03 HAN 12368		HANDLE, RUBBER	1		
96	MEG03 STP 12365		STOPPER	1		
97	MEG03 STP 12366		STOPPER	1		
98	MEG03 SEA 12367		SEAL	1		
99			CAP	1		
100	MEG03 GLA 12381		GLASS	1		FRONT UP
101	MEG03 GLA 12373		GLASS	1		DOOR

CABIN(2)



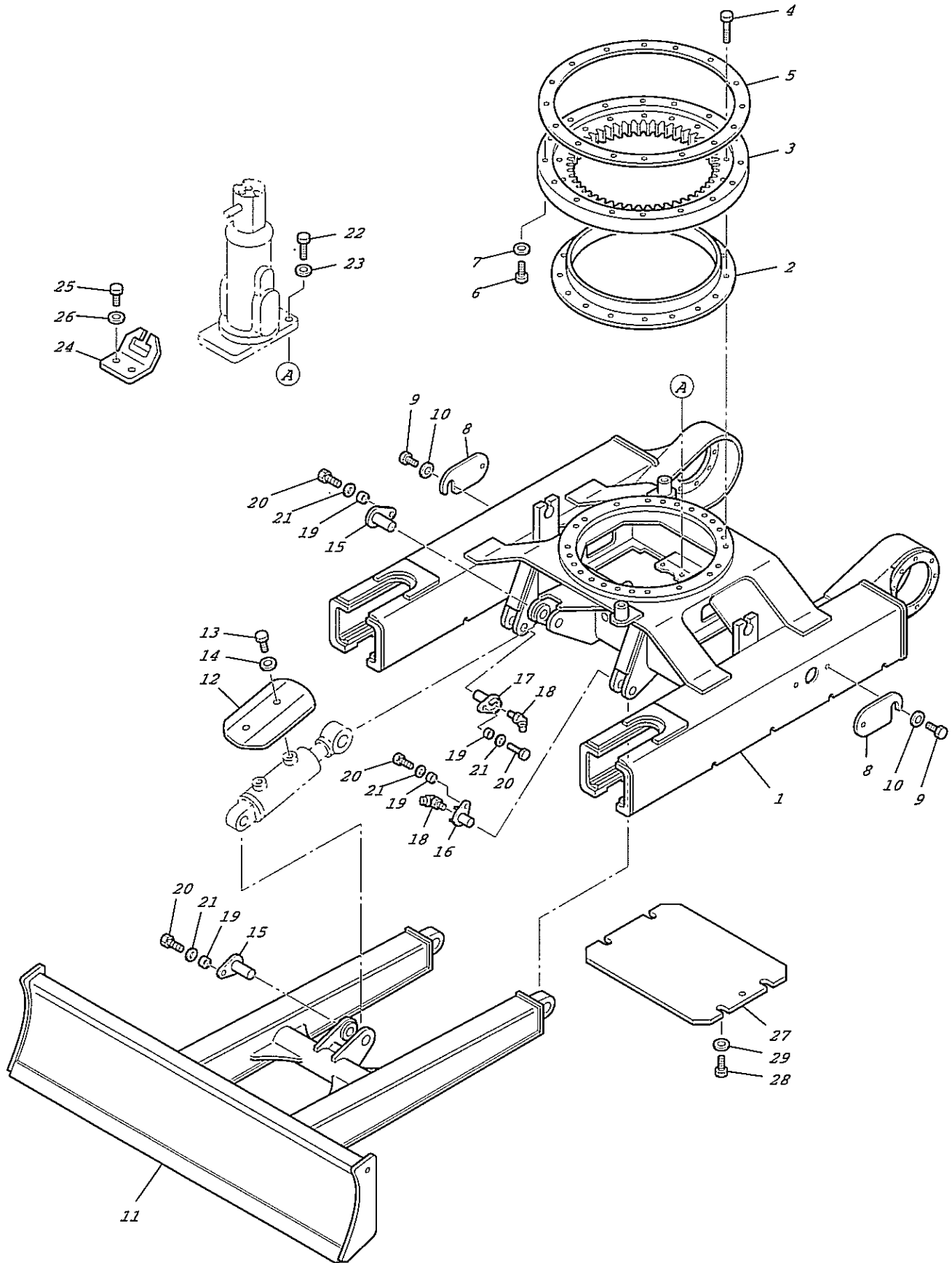
CABIN(2)

SER. No: NS252001

Key No.	Part No.	Interchange-ability	Part Name	Qty.	Applicable Ser. No.	Remarks
1	ME11200-05210		RUBBER ABSORBER ASSY	1		
2	ME855-00005		RUBBER ABSORBER	8		FQ-0454-000
3	ME0121-12000-a		BOLT	3		
4	ME0380-12000-a		WASHER, SPRING	4		
5	ME0387-12000-a		WASHER	4		
6	ME11210-00760		COLLAR	2		
7	ME0160-16070-a		BOLT, SOCKET HEAD	8		
8	ME0383-16000-a		WASHER	16		
9	ME30736-00016		NUT NILON	8		
10	ME11210-00770		COLLAR	2		
11	ME0121-12080-a		BOLT	1		

**LOWER MACHINE**

TRACK FRAME(1)



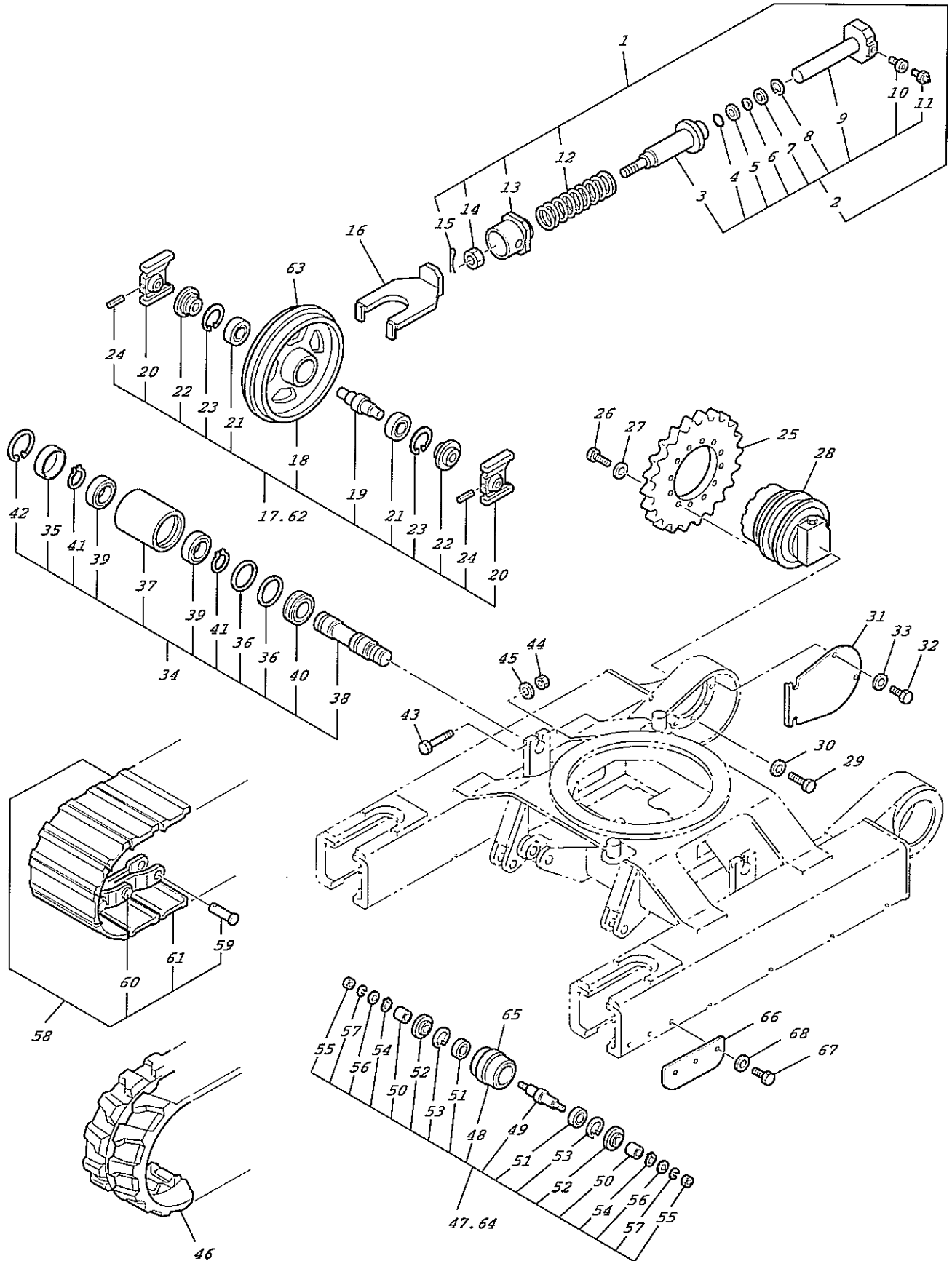
## TRACK FRAME(1)

SER. No: NS252001

Key No.	Part No.	Interchange-ability	Part Name	Qty.	Applicable Ser. No.	Remarks
1	MENPS1-10000		TRUCK FRAME ASSY	1		
2	MESB15-010001		BATH, GREASE	1		
3	MENK27-80014		BEARING, SWING	1		
4	ME0212-12065-c		BOLT	16		
5	MEHCA2-00003-1		RING, TURNING	1		
6	ME0211-12065-a		BOLT	16		
7	ME0389-12000-a		WASHER	16		
8	MENOS1-00002-1		COVER	2		
9	ME0211-10016-a		BOLT	4		
10	ME0389-10000-a		WASHER	4		
11	MENPS1-20000		DOZER ASS'Y	1		
12	MENCUI-00001		COVER	1		
13	ME0211-10020-a		BOLT	2		
14	ME0389-10000-a		WASHER	2		
15	MENPS3-60300		DOZER CYL PIN ASS'Y	2		
16	MENPS3-60100		PIN(L)	1		
17	MENPS3-60200		PIN(R)	1		
18	ME0542-02000-F		NIPPLE, GREASE	2		
19	MEMBC3-00001-1		COLLAR	4		
20	ME0211-12025-a		BOLT	4		
21	ME0389-12000-a		WASHER	4		
22	ME0211-12030-a		BOLT	4		
23	ME0389-12000-a		WASHER	4		
24	MEHBA2-00100		PLATE, STOPPER	1		
25	ME0212-12030-a		BOLT	2		
26	ME0389-12000-a		WASHER	2		



TRACK FRAME(2)





## TRACK FRAME(2)

SER. No: NS252001

Key No.	Part No.	Interchange-ability	Part Name	Qty.	Applicable Ser. No.	Remarks
*1	MENK27-80100		ADJUST CYL ASSY	2		INC. 2-15
*2	MENK27-80110		GREASE CYL ASSY	1		INC. 3-11
3	ME17P-B-22520		TUBE	1		
4	ME0491-00040-b		O RING	1		
5	ME0494-07040-b		RING, BACK UP	1		
6	ME17P-B-68300		SEAL, DUST	1		
7	ME17P-B-22500		SPACER	1		
8	ME0446-05200-o		RING, SNAP (H)	1		
9	ME17P-B-22530		ROD	1		
10	ME17P-B-68310		VALVE, CARTRIDGE	1		
11	ME0540-02000-F		NIPPLE, GREASE	1		
12	ME17P-B-68290		SPPING	1		
13	ME17P-B-22510		PLATE	1		
14	ME0238-24000-a		NUT, CASTLE	1		
15	ME0420-05045-o		PIN, SPLIT	1		
16	ME8822-013100-1		IDLER YORK ASSY	2		
*17	MEHCA1-42000		FRONT IDLER ASSY	2		INC.18-24
18	HCA1-42001		IDLER	1		
19	ME8522-012002		SHAFT, IDLER	1		
20	ME8522-012010		GUIDE, FORK	2		
21	MEBL207X-IC3		BEARING, BALL	2		
22	ME0495-35072-a		SEAL, OIL	2		
23	ME0446-07200-o		RING, SNAP (H)	2		
24	ME0425-10060-o		PIN, SPRING	2		
25	MENCUI-00002		SPROCKET	2		
26	ME0211-12030-a		BOLT	18		

## TRACK FRAME(2)

SER. No: NS252001

Key No.	Part No.	Interchange-ability	Part Name	Qty.	Applicable Ser. No.	Remarks
27	ME0389-12000-a		WASHER	18		
28	MENPS7-00900		DRIVE MOTOR ASSY	2		
29	ME0211-12030-a		BOLT	18		
30	ME0389-12000-a		WASHER	18		
31	MEMBC1-70001		MOTOR CASE COVER	2		
32	ME0102-08020-a		BOLT	6		
33	ME0389-08000-a		WASHER	6		
*34	MEMBU1-46000		CARRIER ROLLER ASSY	2		INC. 35-42
35	ME1204676		CAP, SEAL	1		
36	ME1204650		LINER	2		
37	ME1204674		ROLLER	1		
38	ME1204675		SHAFT	1		
39	ME1B3867		BEARING, BALL	2		
40	ME1204677		SEAL, OIL	1		
41	ME0445-03000-o		RING, SNAP (S)	2		
42	ME0446-06200-o		RING, SNAP (H)	1		
43	ME0211-10065-a		BOLT	2		
44	ME0311-10000-a		NUT	2		
45	ME0389-10000-a		WASHER	2		
46	MENK27-80004		RUBBER CRAWLER ASSY	2		
*47	MEHCA1-61000-2	C	TRUCK ROLLER ASSY	6	→ NS252022	FOR RUBBER
48	MEHCA1-61001	C	ROLLER	1	→ NS252022	FOR RUBBER
49	ME8522-015002-3		SHAFT	1		
50	ME8522-015003-2		SPACER	2		
51	ME0460-62035-o		BEARING, BALL	2		
52	ME0495-35072-a		SEAL,OIL	2		

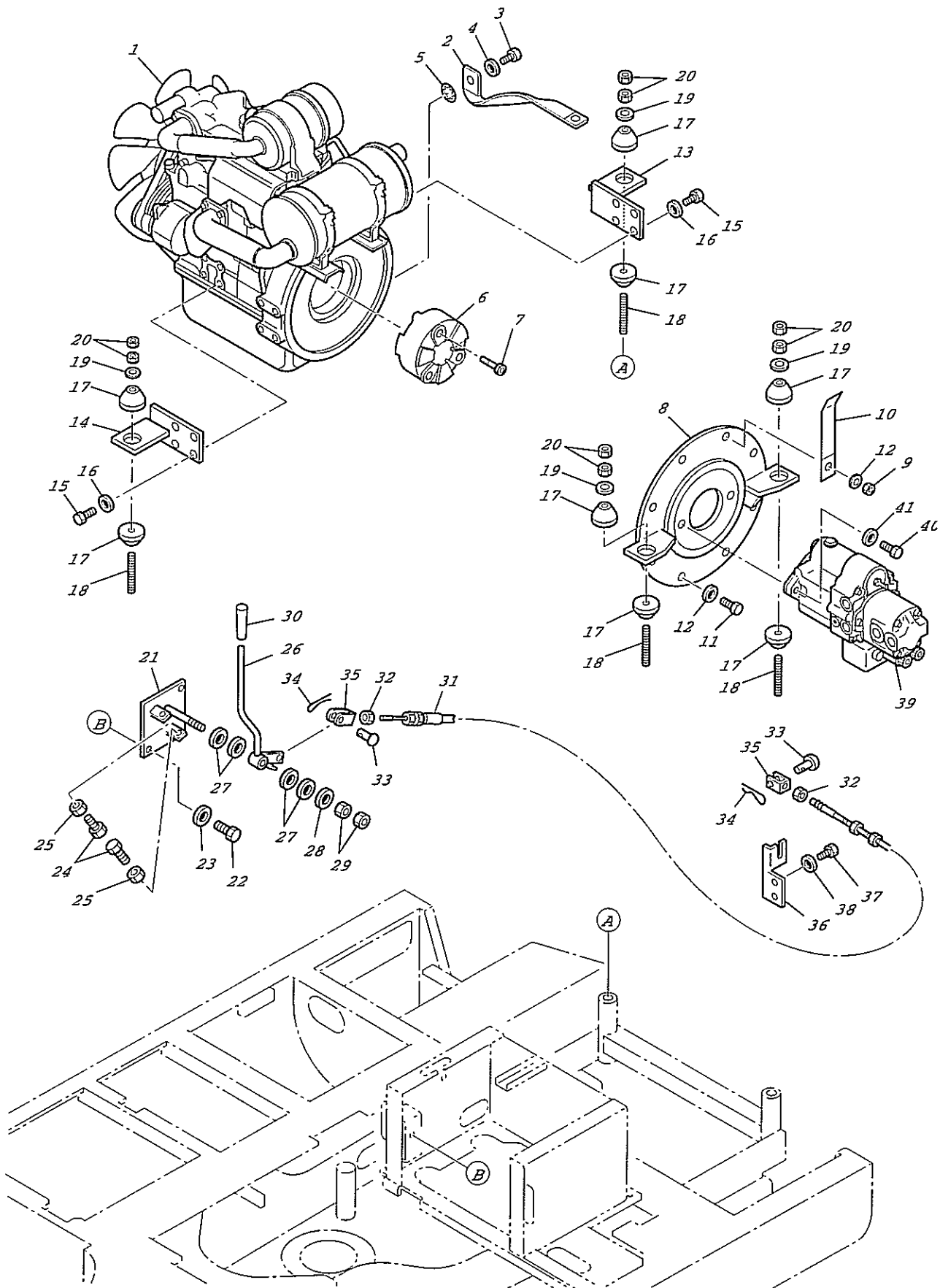
TRACK FRAME(2)

SER. No: NS252001

Key No.	Part No.	Interchangeability	Part Name	Qty.	Applicable Ser. No.	Remarks
53	ME0446-07000-a		RING, SNAP (H)	2		
54	ME0445-03500-a		RING, SNAP (S)	2		
55	ME0275-20000-a		NUT	2		
56	ME0383-20000-a		WASHER	2		
57	ME0381-20000-a		WASHER, SPRING	2		
*58	MENK27-80015		CRAWLER ASSY	2		FOR STEEL
59	MES10035		PIN, MASTER	1		FOR STEEL
60	MES10028		PIN, JOINT	36		FOR STEEL
61	MEB10234#3		PLATE, SHOE	37		FOR STEEL
*62	MEHCA1-41000	C	FRONT IDLER ASSY	2	→ NS252022	FOR STEEL
63	MEHCA1-41001	C	IDLER	1	→ NS252022	FOR STEEL
*64	ME8522-015000-3	A	TRUCK ROLLER ASSY	6	NS252023 →	FOR STEEL
65	ME8522-015001	A	ROLLER	1	NS252023 →	FOR STEEL
66	ME8522010011		PLATE, GUIDE	4		FOR STEEL
67	ME0211-10025-a		BOLT	12		FOR STEEL
68	ME0389-10000-a		WASHER	12		FOR STEEL

**POWER UNIT**

POWER UNIT(1)



## POWER UNIT(1)

SER. No: NS252001

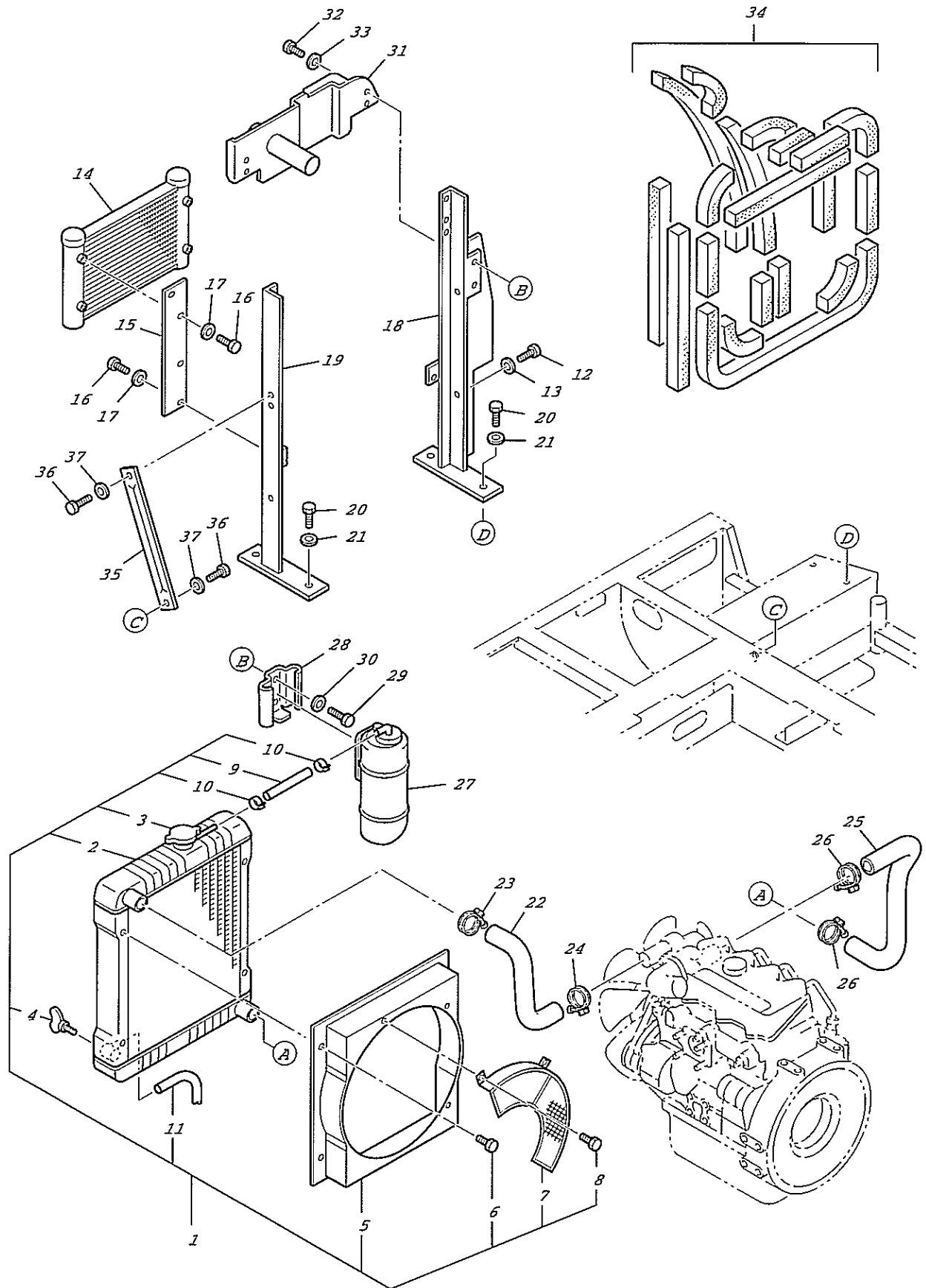
Key No.	Part No.	Interchangeability	Part Name	Qty.	Applicable Ser. No.	Remarks
1	MENK27-80300		ENGINE ASSY	1		3LD1-PA04
2	ME905-00140		CORD, GROUND	1		
3	ME0211-10020-a		BOLT	2		
4	ME0389-10000-a		WASHER	2		
5	ME0388-10000-c		WASHER, TOOTHED	2		
6	MENCU2-30700		COUPLING ASSY	1		
7	ME0160-10030-e		BOLT	3		
8	MENPS2-30300		PUMP FLANGE ASSY	1		
9	ME0251-10000-f		NUT	2		
10	ME942-00004		PLATE, DEPPING	2		
11	ME0211-10025-a		BOLT	6		
12	ME0389-10000-a		WASHER	8		
13	MENPS2-30100		BRACKET, ENGINE(A) ASSY	1		
14	MENPS2-30200		BRACKET, ENGINE(B) ASSY	1		
15	ME0211-10030-a		BOLT	8		
16	ME0389-10000-a		WASHER	8		
17	ME145-9704		RUBBER, ABSORBER	8		
18	MEMBC4-12101		BOLT	4		
19	ME0387-12000-a		WASHER	4		
20	ME0311-12000-a		NUT	8		
21	MENFSH-42100		BRACKET, ACCEL ASSY	1		
22	ME0211-10020-a		BOLT	2		
23	ME0389-10000-a		WASHER	2		
24	ME0101-06020-a		BOLT	2		
25	ME0250-06000-a		NUT	2		
26	MENFSH-42200		LEVER, ACCEL ASSY	1		

POWER UNIT(1)

SER. No: NS252001

Key No.	Part No.	Interchangeability	Part Name	Qty.	Applicable Ser. No.	Remarks
27	ME0390-12000-c		WASHER, CONICAL	4		
28	ME0387-12000-a		WASHER	2		
29	ME0311-12000-a		NUT	2		
30	ME870-00007		GRIP	1		
31	MENK27-81100		CABLE, PUSH PULL	1		
32	MENK27-81104		NUT	2		
33	MENK27-81112		PIN, CLEVIS	2		
34	MENK27-81113		PIN, SPLIT	2		
35	MENK27-81114		CLEVIS	2		
36	MENPS2-30003		BRACKET	1		
37	ME0101-06020-a		BOLT	2		
38	ME0383-06000-a		WASHER	2		
39	MENPS7-00300		PUMP ASSY	1		
40	ME0211-12030-a		BOLT	2		
41	ME0389-12000-a		WASHER	2		

POWER UNIT(2)





## POWER UNIT(2)

SER. No: NS252001

Key No.	Part No.	Interchange-ability	Part Name	Qty.	Applicable Ser. No.	Remarks
*1	MENPS8-00100		RADIATOR	1		INC. 2-11
2	MEV300188110		RADIATOR CORE	1		
3	MEP714K11100		CAP	1		
4	ME7362K13300		PLUG, DRAIN	1		
5	MEV300231100		SHROUD	1		
6	MEU280806100		FLANGE BOLT	4		
7	MEQ891232100		FUN GUARD ASSY	1		
8	MEU280808160		FLANGE BOLT	3		
9	MEN078111910		HOSE	1		
10	ME7913111900		CLIP	2		
11	MET091011220		HOSE, VINYL	1		
12	ME0102-08020-a		BOLT	4		
13	ME0389-08000-a		WASHER	4		
14	MENPS8-00300		COOLER, OIL	1		
15	MEV300188110		PLATE	2		
16	ME0102-08015-a		BOLT	8		
17	ME0389-08000-a		WASHER	8		
18	MENPS2-30400-1		BRACKET, RADIATOR (A)	1		
19	MENPS2-30500-1		BRACKET, RADIATOR (B)	1		
20	ME0211-10025-a		BOLT	4		
21	ME0387-10000-a		WASHER	4		
22	ME4B791		RADIATOR UPPER HOSE	1		
23	ME0750-40055-a		BAND, JUBILEE	1		
24	ME0759-04200-b		BAND, WIRE	1		
25	ME4B792		RADIATOR LOWER HOSE	1		
26	ME0759-04500-b		BAND, WIRE	2		

MODEL: T25 S

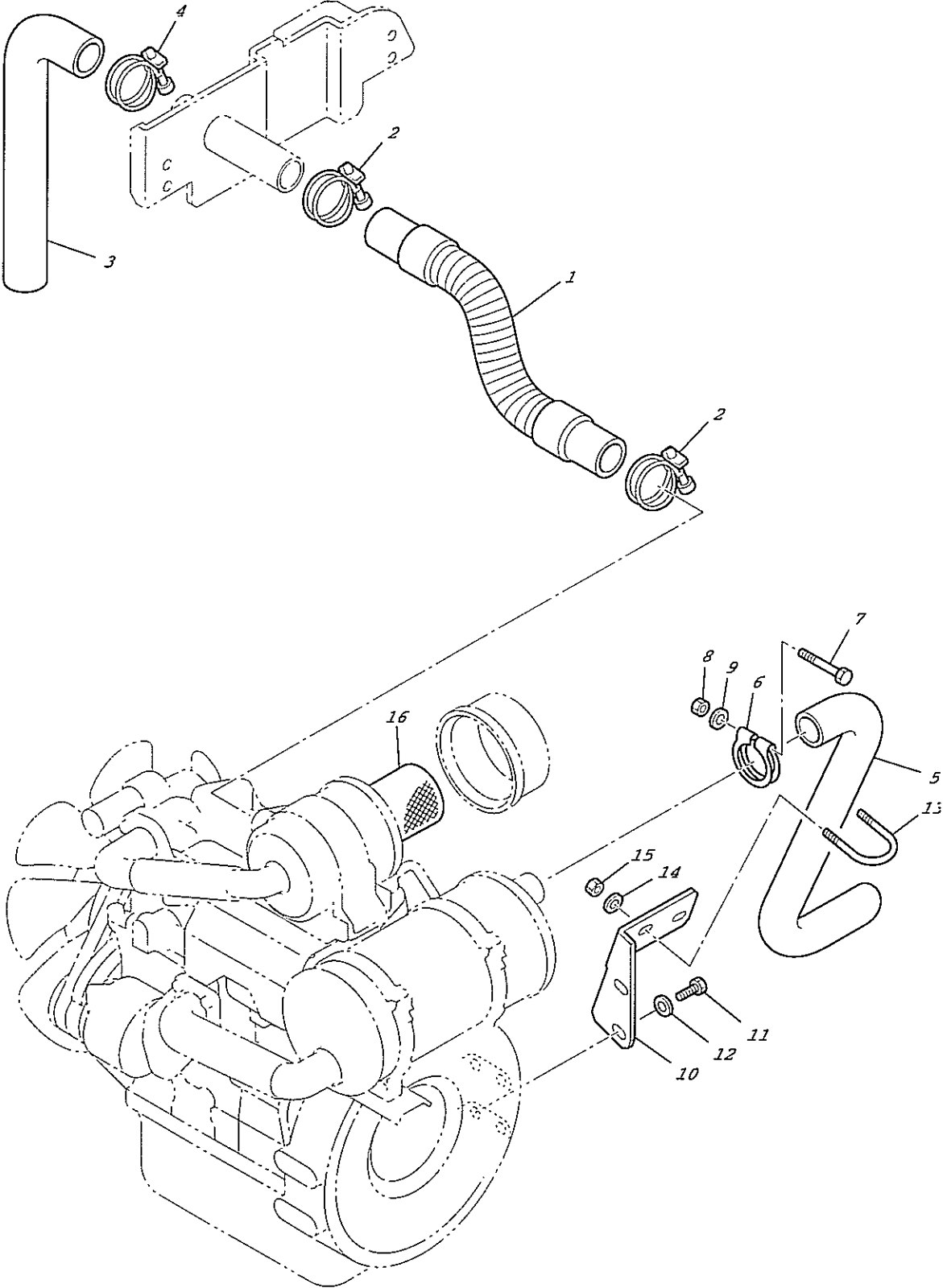
D22

POWER UNIT(2)

SER. No: NS252001

Key No.	Part No.	Interchangeability	Part Name	Qty.	Applicable Ser. No.	Remarks
27	ME894370-4500		TANK, SURGE	1		
28	ME897041-0220		HANGER	1		
29	ME0101-06015-a		BOLT	2		
30	ME0383-06000-a		WASHER	2		
31	MENPS2-30800		BAFFLE	1		
32	ME0102-08020-a		BOLT	4		
33	ME0389-08000-a		WASHER	4		
34	MENPS2-30900		URETHANE FOAM ASSY	1		
35	MEHCA2-30003		STAY	1		
36	ME0102-08015-a		BOLT	2		
37	ME0389-08000-a		WASHER	2		

POWER UNIT(3)



POWER UNIT(3)

SER. No: NS252001

Key No.	Part No.	Interchange-ability	Part Name	Qty.	Applicable Ser. No.	Remarks
1	MENPS2-31000		HOSE	1		
2	ME0759-05600-b		BAND, WIRE	2		
3	MENFS2-40011		HOSE	1		
4	ME0759-06200-b		BAND, WIRE	1		
5	MENPS2-30002		PIPE, TAIL	1		
6	ME894473-5630		CLAMP	1		
7	ME0102-08065-a		BOLT	1		
8	ME0251-08000-a		NUT	2		
9	ME0389-08000-a		WASHER	2		
10	MENPS2-30001-1		BRACKET, TAIL PIPE	1		
11	ME0211-10020-a		BOLT	2		
12	ME0389-10000-a		WASHER	2		
13	ME0205-03200-a		U-BOLT	1		
14	ME0387-10000-a		WASHER	2		
15	ME0311-10000-e		NUT	2		
16	ME8970763960		ELEMENT	1		

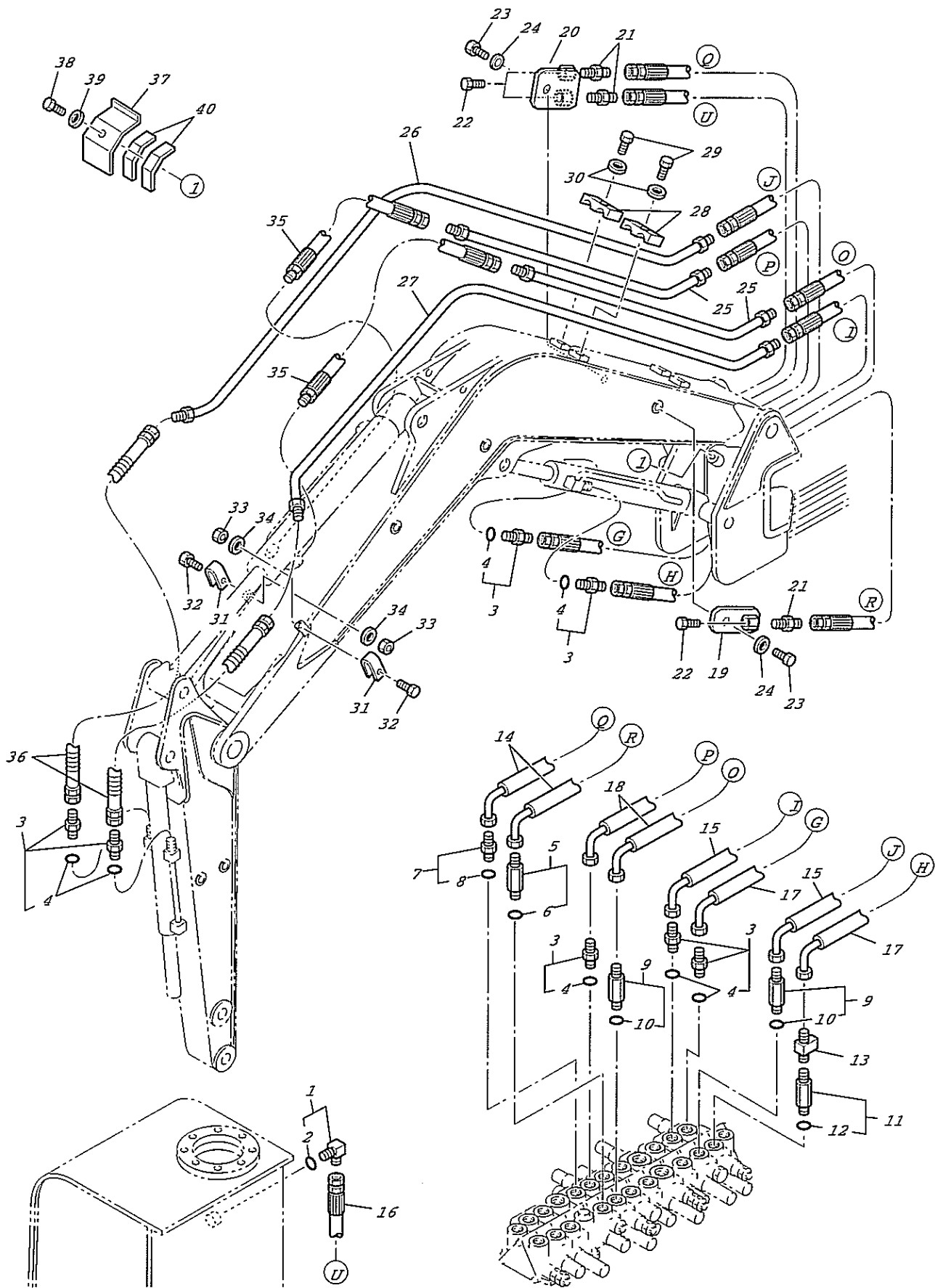
## POWER UNIT(4)

SER. No: NS252001

Key No.	Part No.	Interchange-ability	Part Name	Qty.	Applicable Ser. No.	Remarks
1	ME894241-1791		PUMP, FUEL	1		
2	ME894250-1761		FILTER, FUEL	1	→ NS252022	
3	ME922518-0510		CLIP	1	→ NS252022	
4	ME0101-06010-a		BOLT	1	→ NS252022	
5	ME0383-06000-a		WASHER	1	→ NS252022	
*6	ME897086-2450		WATER SEDIMENTER	1		
7	ME894360-2540		ELEMENT	1		
8	ME0102-08065-a		BOLT	1		
9	ME0389-08000-a		WASHER	1		
10	MENPS2-31100		BRACKET ASSY	1		
11	ME0211-10025-a		BOLT	2		
12	ME0389-10000-a		WASHER	2		
13	ME0753-08040-o		HOSE	1		
14	ME0753-08035-o		HOSE	1	→ NS252022	
14-1	ME0753-08026-o	B	HOSE	1	NS252023 →	
15	ME0753-08210-o		HOSE	1	→ NS252022	
15-1	ME0753-08200-o	B	HOSE	1	NS252023 →	
16	ME0753-08070-o		HOSE	1		
17	ME0760-12500-o		CLIP	8		
18	ME0751-06245-o		HOSE	1		
19	ME0757-04002-o		HOSE, VINYL	1		
20	ME0760-11500-o		CLIP	2		
21	ME894415-0771	B	FILTER, FUEL	1	NS252023 →	
22	ME8941329471	B	ELEMENT	1	NS252023 →	
23	ME0211-10025-a	B	BOLT	2	NS252023 →	
24	ME0389-10000-a	B	WASHER	2	NS252023 →	

**HYDRAULIC PIPING**

WORK EQUIPMENT PIPING



## WORK EQUIPMENT PIPING

SER. No: NS252001

Key No.	Part No.	Interchangeability	Part Name	Qty.	Applicable Ser. No.	Remarks
1	ME0602-08008-x		ELBOW, HOSE 90°	1		
2	ME0490-00018-b		O RING	1		
3	ME0600-06006-x		NIPPLE, HOSE	7		
4	ME0490-00014-b		O RING	1		
5			NIPPLE, HOSE	1		Y, A 1067-06-08-75A
6	ME0490-00014-b		O RING	1		
7	ME0600-06008-x		NIPPLE, HOSE	1		
8	ME0490-00014-b		O RING	1		
9			NIPPLE, HOSE	2		1067-06-61A
10	ME0490-00014-b		O RING	1		
11			BUSHING	1		Y, A 1068-06-75A
12	ME0490-00014-b		O RING	1		
13			TEE	1		Y, A 9057-06
14			HOSE (Q)(R)	2		K210E≥12- 2600VN04-04-90
15			HOSE (I)(J)	2		K210E≥9- 2500VN04-04-90
16			HOSE (U)	1		F15E≥12- 3100VN04-04
17			HOSE(G)(H)	2		K210E≥9- 2400VN04-04-90
18			HOSE (P)(O)	2		K210E≥9- 2500VN04-04-90
19	MENPS5-00500		MANIFOLD (L) ASSY	1		
20	MENPS5-00600		MANIFOLD (R) ASSY	1		
21	ME0580-08008-x		NIPPLE, HOSE	3		
22	ME0546-08000-h		PLUG	3		
23	ME0102-08020-a		BOLT	2		
24	ME0389-08000-a		WASHER	2		
25	MEHCA5-00200		PIPE, ARM	2		
26	MENPS5-00100		PIPE, BUCKET(R)	1		



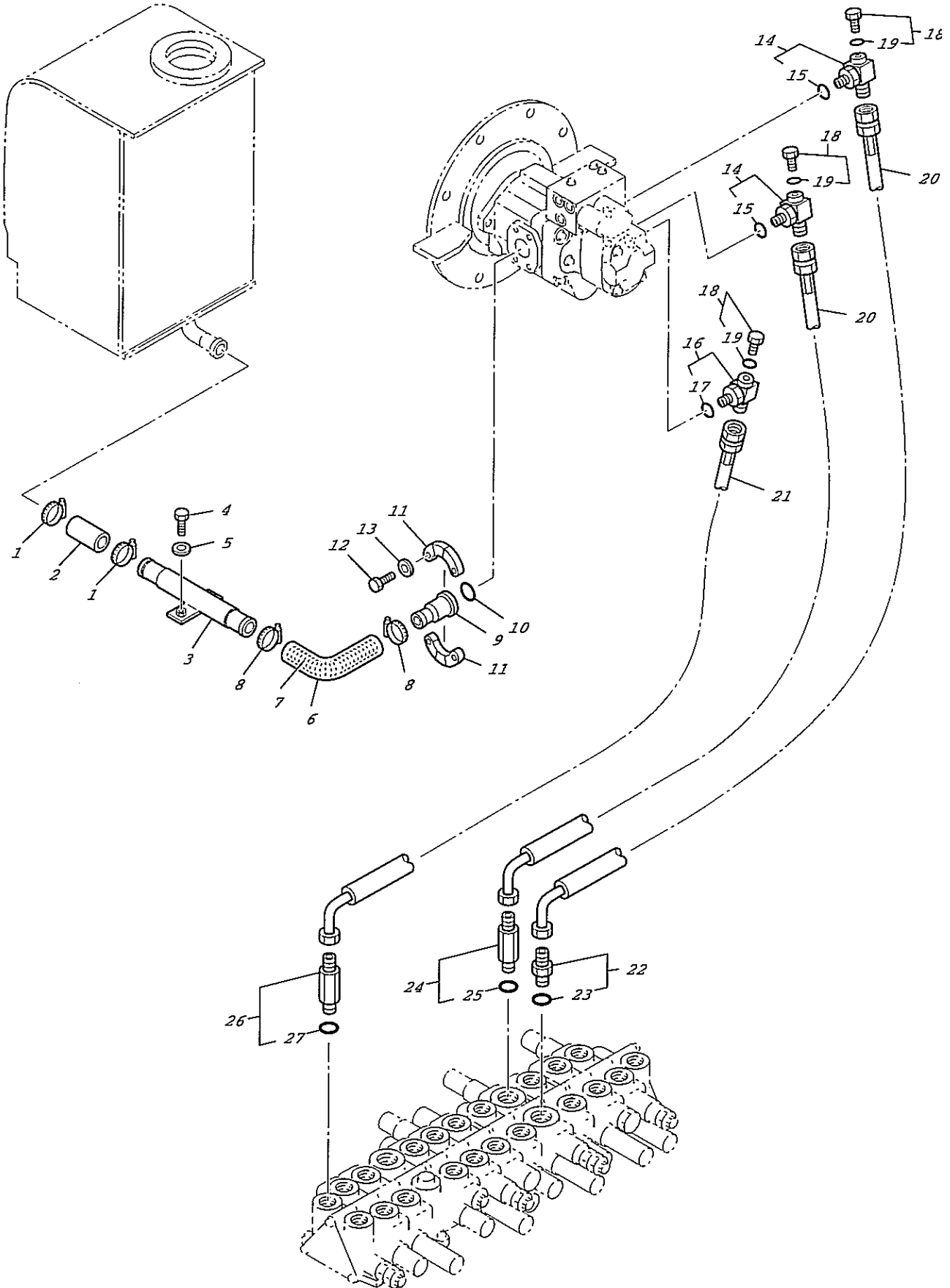
WORK EQUIPMENT PIPING

SER. No: NS252001

Key No.	Part No.	Interchange-ability	Part Name	Qty.	Applicable Ser. No.	Remarks
27	MENPS5-00200		PIPE, BUCKET(L)	1		
28	ME12-032021		CLAMP, PIPE	4		
29	ME0211-10025-a		BOLT	4		
30	ME0389-10000-a		WASHER	4		
31	MENB46-030902		CLAMP, PIPE	2		
32	ME0102-08030		BOLT	2		
33	ME0251-08000-a		NUT	2		
34	ME0389-08000-a		WASHER	2		
35			HOSE (OO)(PP)	2		K210E≥9-1130VN04-02-0
36	ME0788-06119-M		HOSE	2		
37	MENPS3-00002		COVER, HOSE	1		
38	ME0211-10020-a		BOLT	2		
39	ME0389-10000-a		WASHER	2		
40	MENPS3-00003		PLATE, RUBBER	2		

E21

UPPER FRAME PIPING(1)



## UPPER FRAME PIPING(1)

SER. No: NS252001

Key No.	Part No.	Interchange-ability	Part Name	Qty.	Applicable Ser. No.	Remarks
1	ME0750-35050-o		BAND, JUBILEE	2		
2	ME0751-38022-o		HOSE	1		
3	MENPS5-00300		PIPE, SUCTION	1		
4	ME0211-10030-a		BOLT	2		
5	ME0389-10000-a		WASHER	2		
6	ME0751-38040-o		HOSE	1		
7	MEHCA5-00008		SPRING	1		
8	ME0750-35050-o		BAND, JUBILEE	2		
9	MEHCA5-00001		PIPE, SUCTION (A)	1		
10	ME0490-00038-a		O RING	1		
11	MENK27-79001		FLANGE, SPLIT HALF	2		
12	ME0211-10030-a		BOLT	4		
13	ME0389-10000-a		WASHER	4		
14	ME30554-62020		TEE	2		
15	ME0490-00018-b		O RING	1		
16	ME30554-62022		TEE	1		
17	ME0490-00018-b		O RING	1		
18	ME0547-04000-h		PLUG	3		
19	ME0490-00011-b		O RING	1		
20			HOSE (P1)(P2)	2		K210E≥12-1100L 04-04-90
21			HOSE (P3)	1		K210E≥9-1300L 04-04-90
22	ME0600-08008-x		NIPPLE, HOSE	1		
23	ME0490-00018-b		O RING	1		
24			NIPPLE, HOSE	1		1067-08-72A
25	ME0490-00018-b		O RING	1		
26			NIPPLE, HOSE	1		1067-06-61A

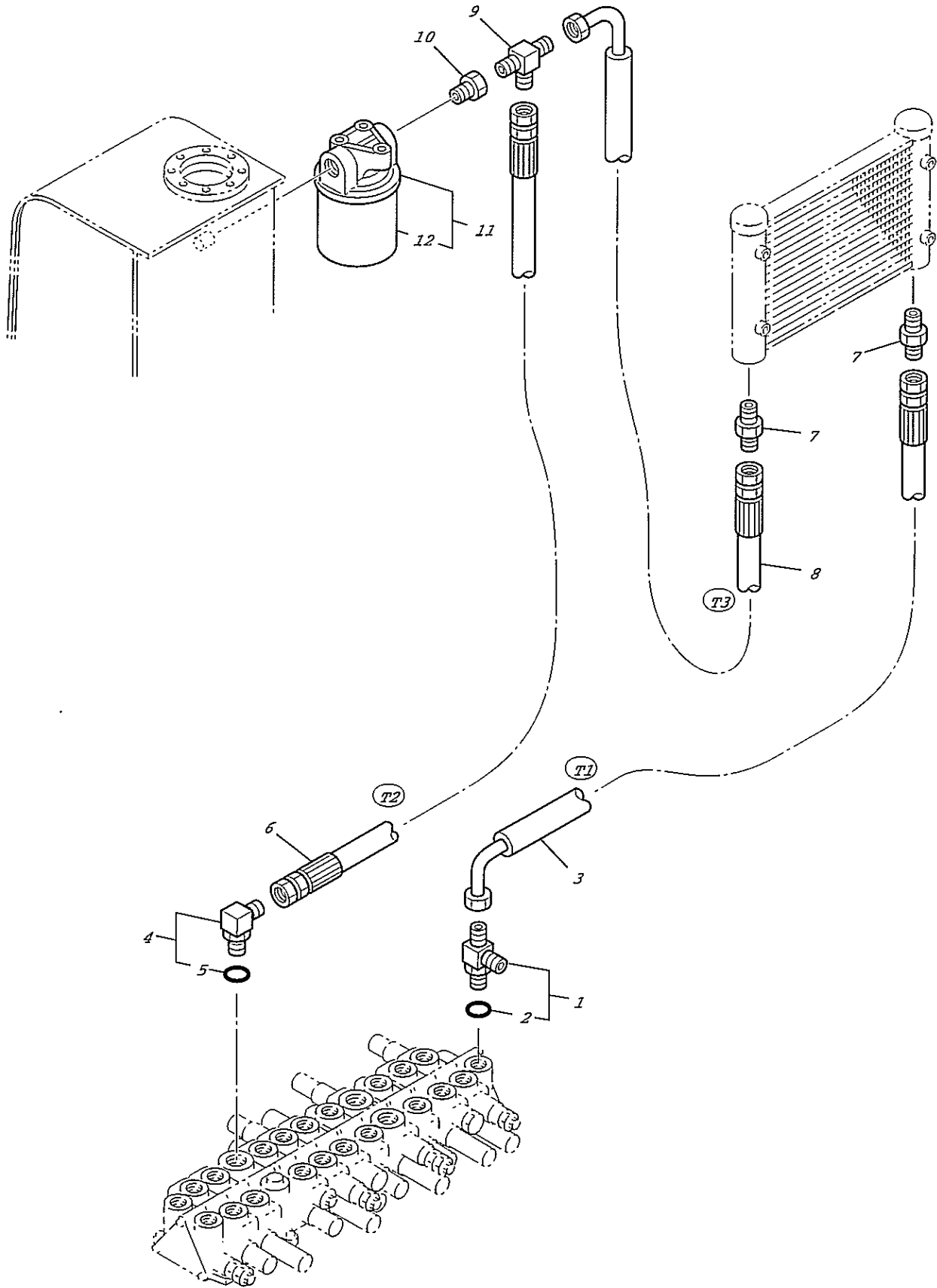
E21

UPPER FRAME PIPING(1)

SER. No: NS252001

Key No.	Part No.	Interchange-ability	Part Name	Qty.	Applicable Ser. No.	Remarks
27	ME0490-00014-b		O RING	1		

UPPER FRAME PIPING(2)

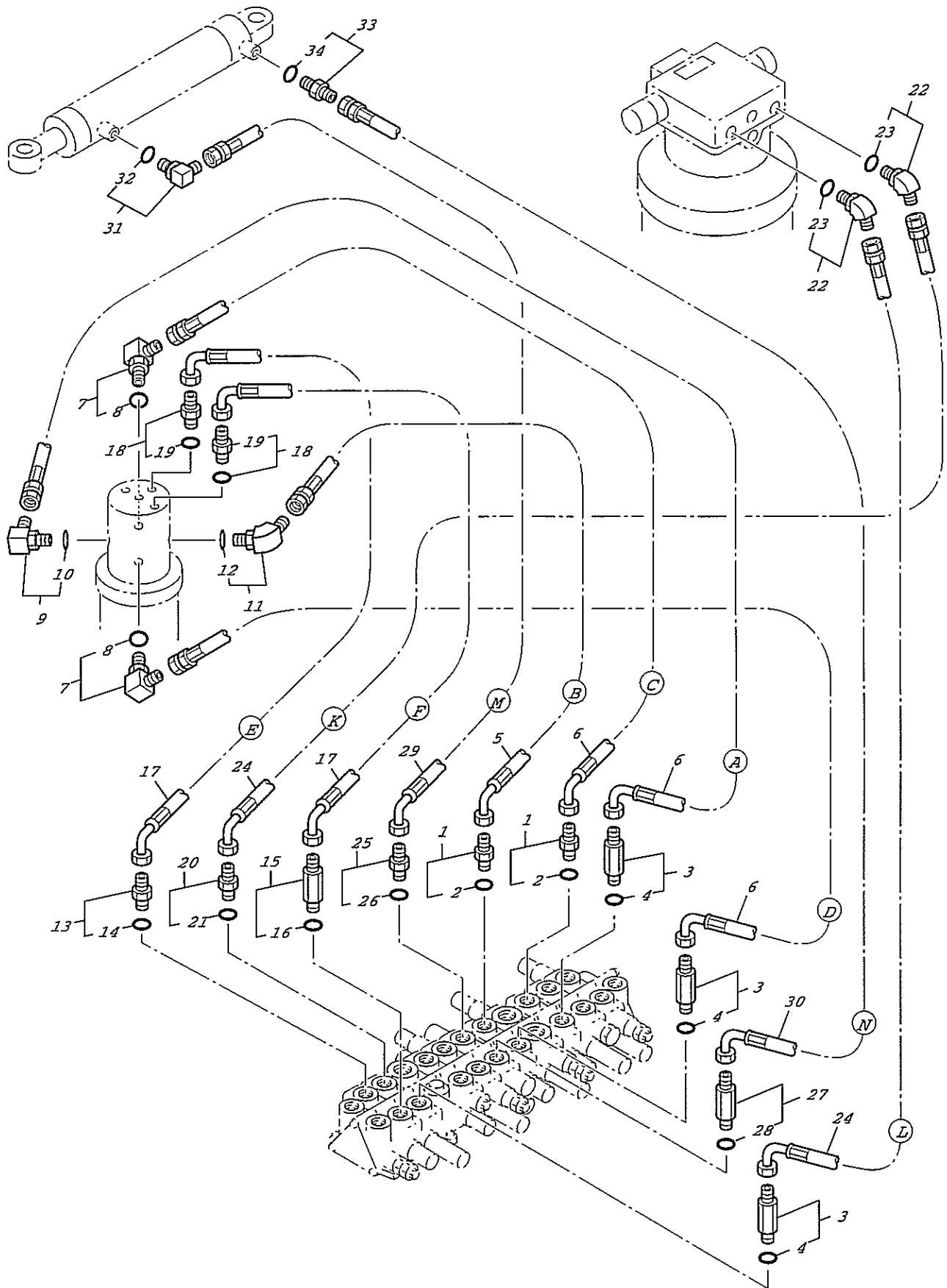


UPPER FRAME PIPING(2)

SER. No: NS252001

Key No.	Part No.	Interchangeability	Part Name	Qty.	Applicable Ser. No.	Remarks
1	MENPSS-00010		TEE	1		
2	ME0490-00018-B		O RING	1		
3			HOSE (T1)	1		F15E≥12-1800L 04-04-90
4	ME0602-12008-x		ELBOW, HOSE 90°	1		
5	ME0490-00024-b		O RING	1		
6	ME0790-08240-o		HOSE	1		(T2)
7	ME0580-08008-x		NIPPLE, HOSE	2		
8			HOSE (T3)	1		F15E≥12-700L 04-04-90
9			TEE	1		Y,A 9051-12-08
10	ME0563-20012-L		BUSHING	1		
11	MENK27-71700		LINE FILTER ASS'Y	1		
12	MEY-2901		ELEMENT	1		

UPPER FRAME PIPING(3)



## UPPER FRAME PIPING(3)

SER. No: NS252001

Key No.	Part No.	Interchangeability	Part Name	Qty.	Applicable Ser. No.	Remarks
1	ME0600-06006-x		NIPPLE, HOSE	2		
2	ME0490-00014-b		O RING	1		
3			NIPPLE, HOSE	3		1067-06-61A Y, A
4	ME0490-00014-b		O RING	1		
5			HOSE (B)	1		K210E≥9- 550L 04-90-04
6			HOSE (A)(C)(D)	3		K210E≥9- 650L 04-90-04
7	ME0602-06006-x		ELBOW, HOSE 90°	2		
8	ME0490-00014-b		O RING	1		
9	ME0602-06006-x		ELBOW, HOSE 90°	1		
10	ME0490-00014-b		O RING	1		
11	ME0601-06006-x		NIPPLE, HOSE	1		
12	ME0490-00014-b		O RING	1		
13	ME0600-06004-x		NIPPLE, HOSE	1		
14	ME0490-00014-b		O RING	1		
15			NIPPLE, HOSE	1		1067-06-04-53A Y, A
16	ME0490-00014-b		O RING	1		
17			HOSE (E)(F)	2		K210E≥6-700L 04-90-04-90
18	ME0600-04004-x		NIPPLE, HOSE	2		
19	ME0490-00011-b		O RING	1		
20	ME0600-06006-x		NIPPLE, HOSE	1		
21	ME0490-00014-b		O RING	1		
22	ME0601-06006-x		ELBOW, HOSE 45°	2		
23	ME0490-00014-b		O RING	1		
24			HOSE (K)(L)	2		K210E≥9- 1000L 04-90-04
25	ME0600-06004-x		NIPPLE, HOSE	1		
26	ME0490-00014-b		O RING	1		

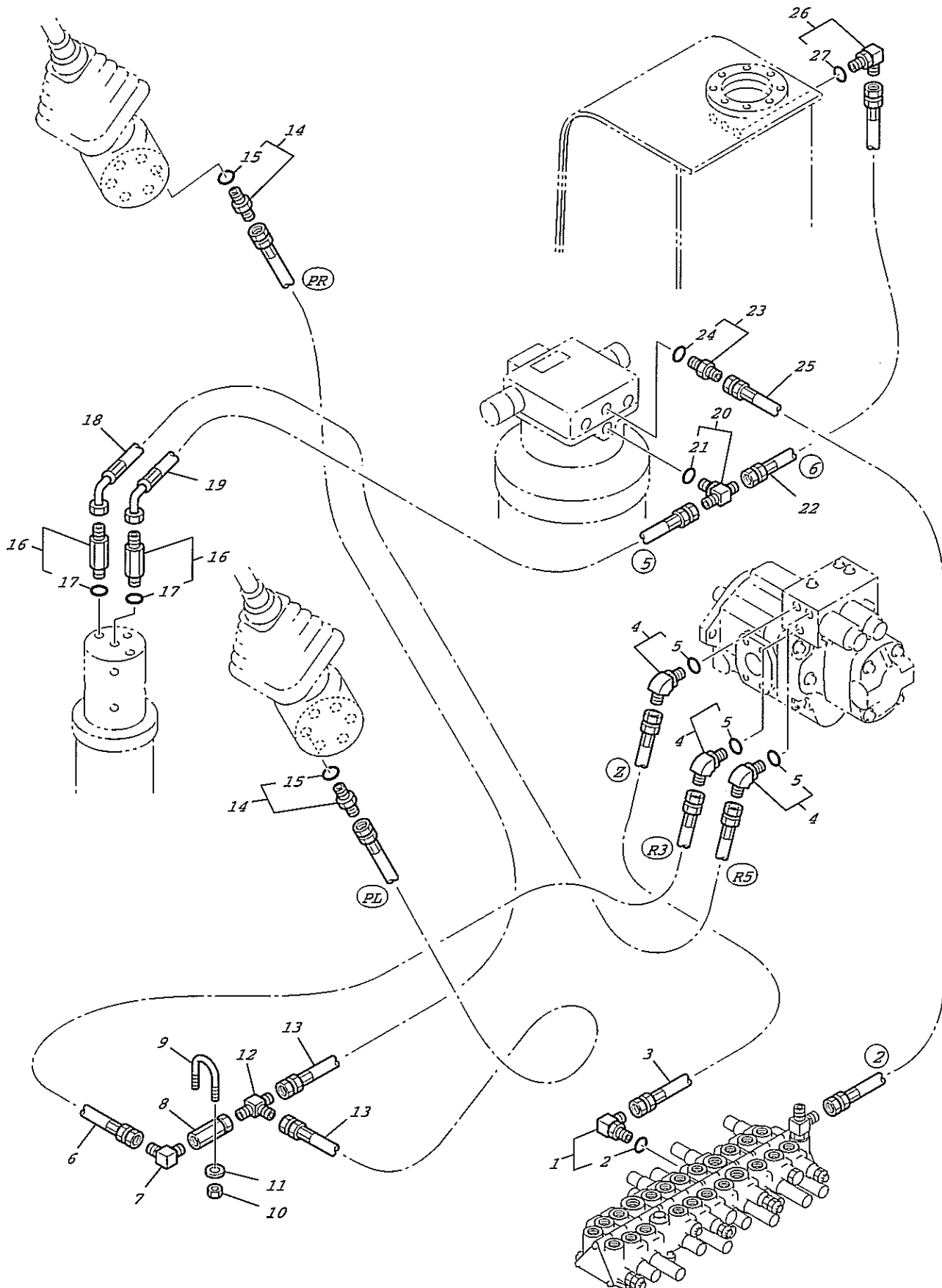


UPPER FRAME PIPING(3)

SER. No: NS252001

Key No.	Part No.	Interchangeability	Part Name	Qty.	Applicable Ser. No.	Remarks
27			NIPPLE, HOSE	1		1067-06-04-53A Y,A
28	ME0490-00014-b		O RING	1		
29			HOSE (M)	1		K210E≥6- 1900L 04-90-04
30			HOSE (N)	1		K210E≥6- 1200L 04-90-04
31	ME0602-04004-x		ELBOW, HOSE 90°	1		
32	ME0490-00011-b		O RING	1		
33	ME0600-04004-x		NIPPLE, HOSE	1		
34	ME0490-00011-b		O RING	1		

UPPER FRAME PIPING(4)



## UPPER FRAME PIPING(4)

SER. No: NS252001

Key No.	Part No.	Interchangeability	Part Name	Qty.	Applicable Ser. No.	Remarks
1	ME0602-04004-x		ELBOW, HOSE 90°	1		
2	ME0490-00011-b		O RING	1		
3	ME0791-04110-o		HOSE	1		(Z)
4	ME0601-04004-x		ELBOW, HOSE 45°	3		
5	ME0490-00011-b		O RING	1		
6	ME0791-04120-o		HOSE	1		(R3)
7	ME0582-04004-x		ELBOW, HOSE 90°	1		
8	MENK27-71600		FILTER	1		
9	ME0205-02500-a		BOLT	1		
10	ME0311-10000-a		NUT	2		
11	ME0389-10000-a		WASHER	2		
12			TEE	1		Y, A 9051-04
13	ME0781-04140-o		HOSE	2		(PL)(PR)
14	ME0600-04004-x		NIPPLE, HOSE	2		
15	ME0490-00011-b		O -RING	1		
16			NIPPLE, HOSE	2		Y, A 1067-04-74A
17	ME0490-00011-b		O RING	1		
18			HOSE (R5)	1		F35E≥6-1250L 04-90-04
19			HOSE (5)	1		F35E≥6-230L 04-90-04
20			TEE	1		Y, A 9071-04
21	ME0490-00011-b		O RING	1		
22	ME0791-04130-o		HOSE	1		(6)
23	ME0600-06006-x		NIPPLE, HOSE	1		
24	ME0490-00014-b		O RING	1		
25			HOSE	1		F15E≥9-600L 04-45-04
26	ME0602-04004-x		ELBOW, HOSE 90°	1		

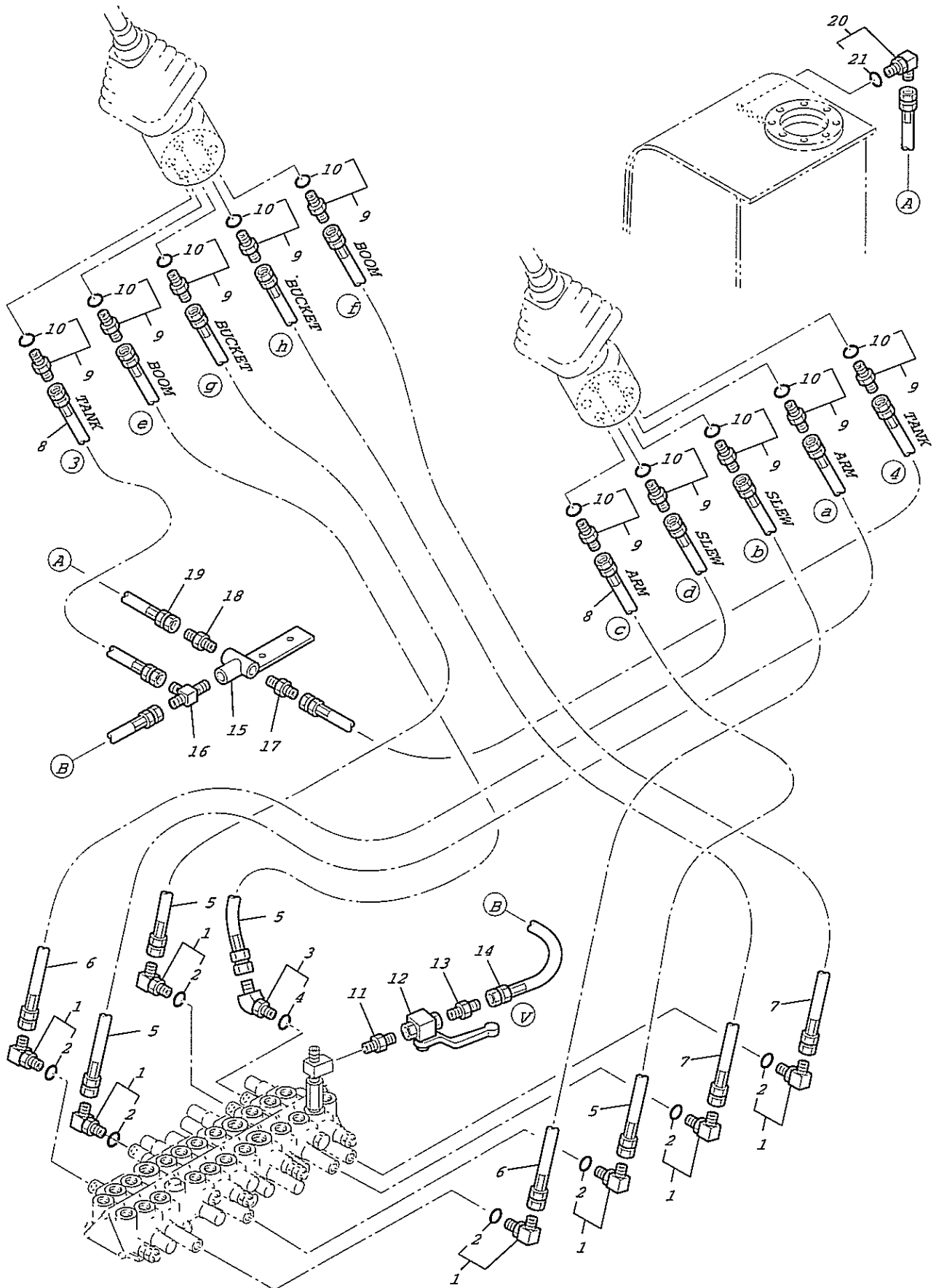
E24

UPPER FRAME PIPING(4)

SER. No: NS252001

Key No.	Part No.	Interchange-ability	Part Name	Qty.	Applicable Ser. No.	Remarks
27	ME0490-00011-b		O RING	1		

UPPER FRAME PIPING(5)

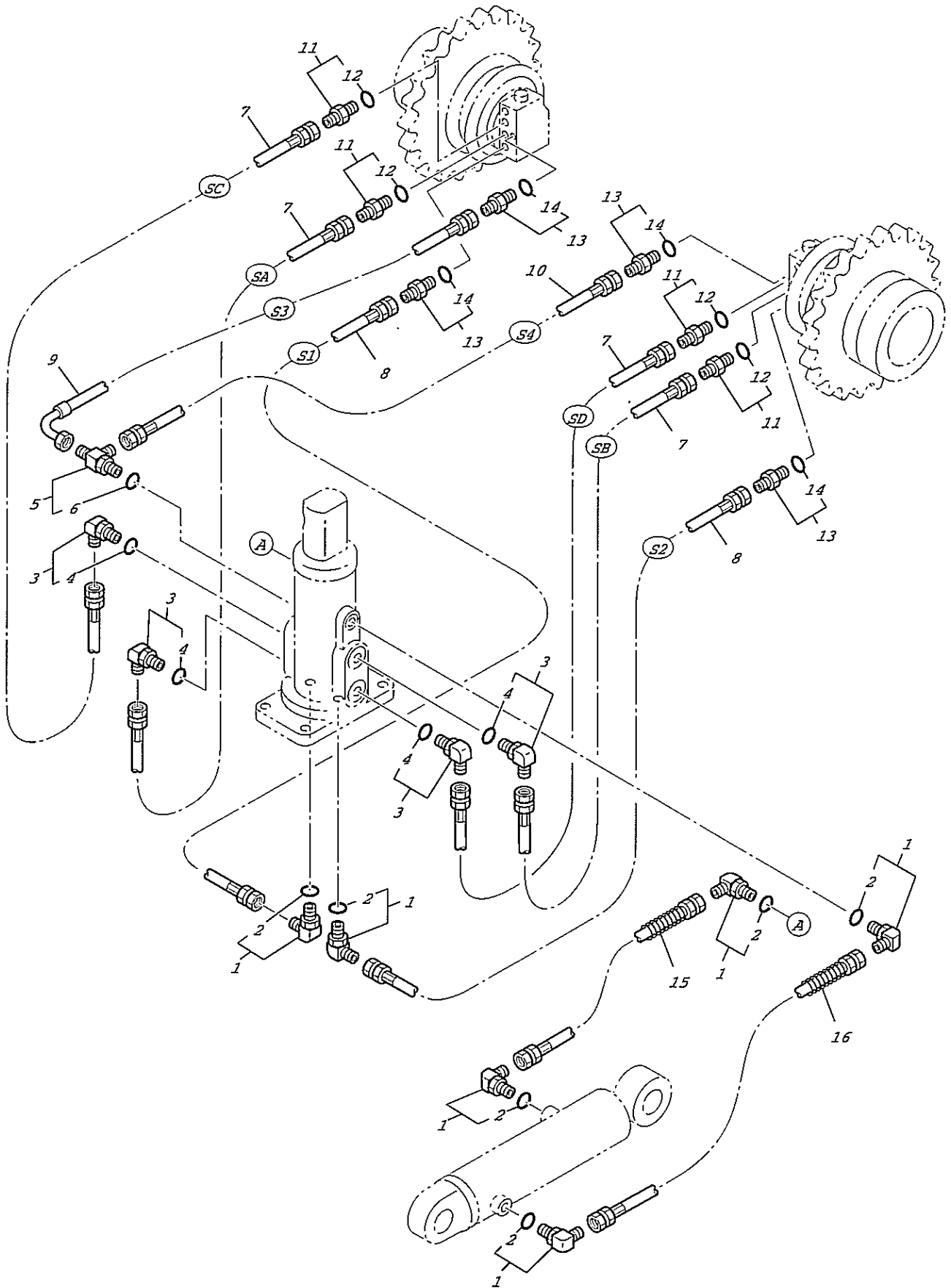


UPPER FRAME PIPING(5)

SER. No: NS252001

Key No.	Part No.	Interchangeability	Part Name	Qty.	Applicable Ser. No.	Remarks
1	ME0602-04004-x		ELBOW, HOSE 90°	7		
2	ME0490-00011-b		O RING	1		
3	ME0601-04004-x		ELBOW, HOSE 45°	1		
4	ME0490-00011-b		O RING	1		
5	ME0781-04140-o		HOSE	4		(a)(c)(e)(g)
6	ME0781-04150-o		HOSE	2		(b)(d)
7	ME0781-04170-o		HOSE	2		(f)(h)
8	ME0781-04110-o		HOSE	2		(3)(4)
9	ME0600-04004-x		NIPPLE, HOSE	10		
10	ME0490-00011-b		O RING	1		
11	ME0560-06004-h		NIPPLE, HOSE	1		
12	MENPS7-0100		VALVE, BALL	1		Y, A BKH 1/4
13	MENFSH-50001		NIPPLE, HOSE	1		
14	ME0790-04070-o		HOSE	1		(v)
15	MENPS5-00400		MANIFOLD	1		
16			TEE	1		Y, A 9051-04
17	ME0580-04004-x		NIPPLE, HOSE	1		
18	ME0580-04006-x		NIPPLE, HOSE	1		
19	ME0790-06120-o		HOSE	1		(7)
20	ME0602-06006-x		ELBOW, HOSE 90°	1		
21	ME0490-00014-b		O RING	1		

CHASSIS FRAME PIPING



CHASSIS FRAME PIPING(5)

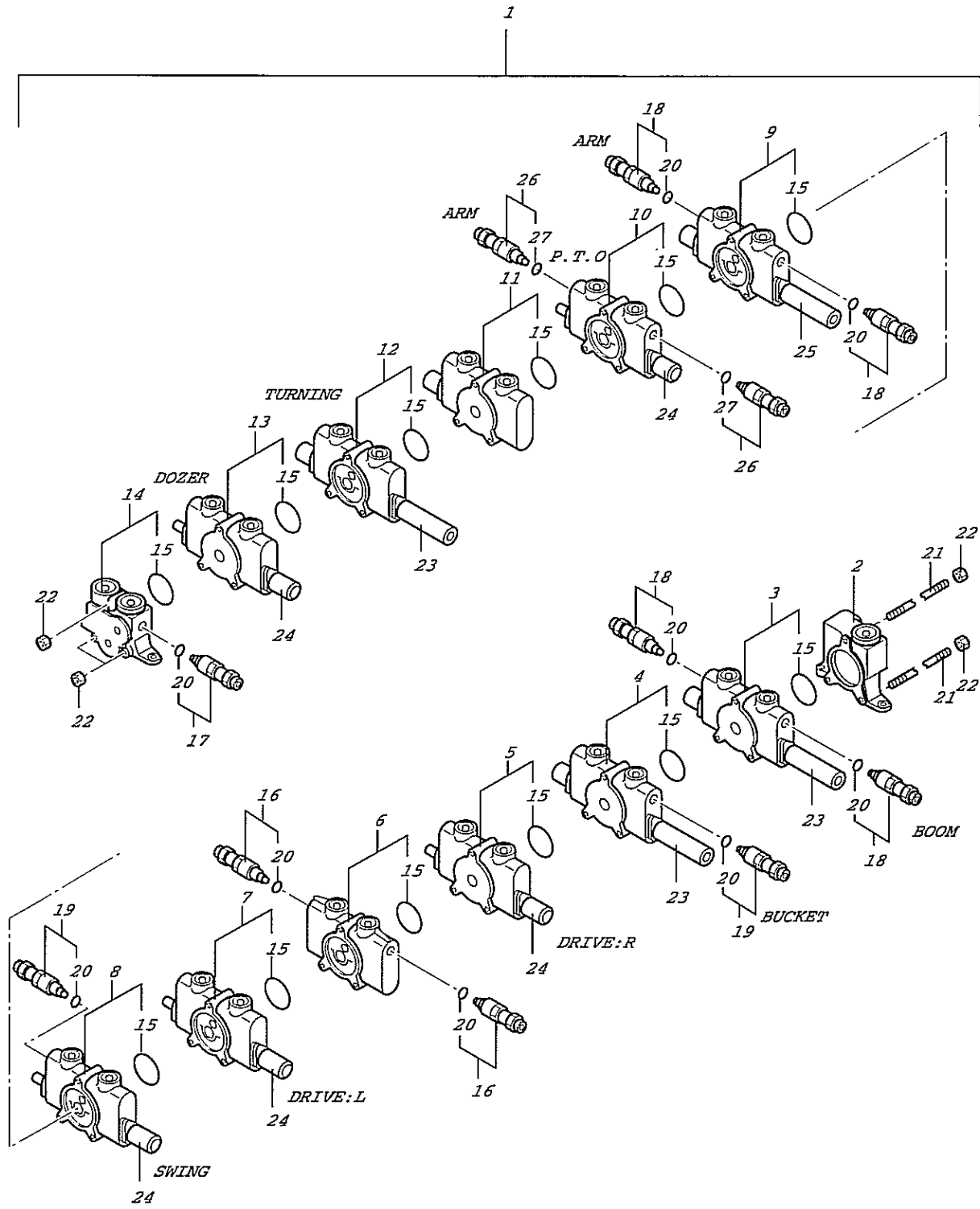
SER. No: NS252001

Key No.	Part No.	Interchangeability	Part Name	Qty.	Applicable Ser. No.	Remarks
1	ME0602-04004-x		ELBOW, HOSE 90°	6		
2	ME0490-00011-b		O RING	1		
3	ME0602-06006-x		ELBOW, HOSE 90°	4		
4	ME0490-00014-b		O RING	1		
5			TEE	1		Y, A 9070-04
6	ME0490-00011-b		O RING	1		
7	ME0778-06095-o		HOSE (SA)(SB)(SC)(SD)	4		
8	ME0791-04095-o		HOSE (S1)(S2)	2		
9			HOSE (S3)	1		F35E≥6-950 04-04-90
10	ME0791-04140-o		HOSE (S4)	1		
11	ME0600-08006-x		NIPPLE, HOSE	4		
12	ME0490-00018-b		O RING	1		
13	ME0600-04004-x		NIPPLE, HOSE	4		
14	ME0490-00011-b		O RING	1		
15	ME0778-04070-M		HOSE	1		
16	ME0778-04090-M		HOSE	1		



**HYDRAULIC COMPONENT**

CONTRTOL VALVE(1)



## CONTROL VALVE(1)

SER. No: NS252001

Key No.	Part No.	Interchange-ability	Part Name	Qty.	Applicable Ser. No.	Remarks
*1	MENPS7-00200		CONTROL VALVE ASS'Y	1		INC.2-25 C0070-20002
2	0		OUTLET SECTION ASS'Y	1		21013-20357
3	0		BLOCK ASS'Y	1		BOOM C0013-21422
4	0		BLOCK ASS'Y	1		BUCKET 21013-23801
5	0		BLOCK ASS'Y	1		DRIVE(R) C0013-21030
6	0		SPACER SECTION ASS'Y	1		21013-23434
7	0		BLOCK ASS'Y	1		DRIVE(L) C0013-21031
8	0		BLOCK ASS'Y	1		SWING 21013-23648
9	0		BLOCK ASS'Y	1		ARM 21013-23592
10	0		BLOCK ASS'Y	1		P.T.O C0013-21032
11	0		BLOCK ASS'Y	1		21013-20355
12	0		BLOCK ASS'Y	1		TURNING 21013-23587
13	0		BLOCK ASS'Y	1		DOZER C0013-21033
14	0		INLET SECTION ASS'Y	1		21013-20197
15	0		O -RING	12		95121-05500
16	0		RELIEF VALVE ASS'Y	2		210KGF C001B-23002
17	0		RELIEF VALVE ASS'Y	1		175KGF C001B-23003
18	0		RELIEF VALVE ASS'Y	4		240KGF 21013-30658
19	0		ANTI-BOID VALVE ASS'Y	2		21013-30684
20	0		O- RING	9		21001-00036
21	0		ROD TIE	3		21091-30808
22	ME0263-08000-a		NUT	6		
23	0		CAP	3		21011-21821
24	0		CAP	5		21011-21851
25	0		CAP	1		21011-21860
26	MENPS7-00210		RELIEF VALVE ASS'Y	2		OPTION C001B-23001

CONTRTOL VALVE(1)

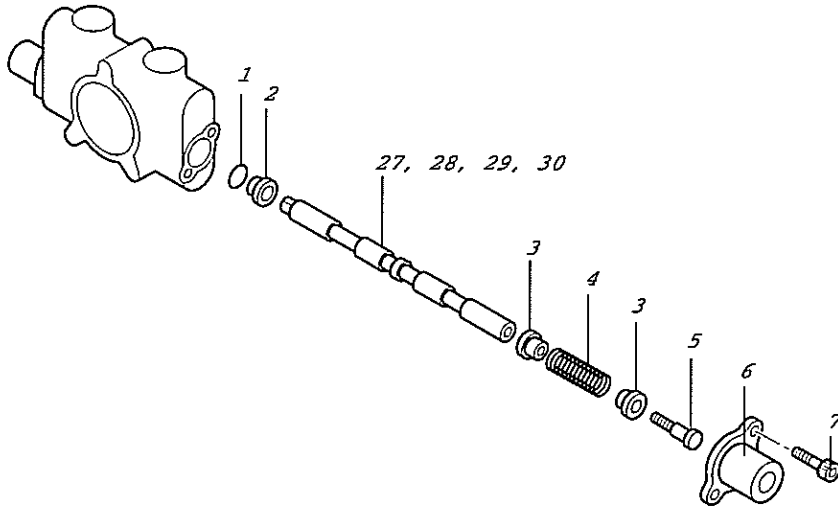
SER. No: NS252001

Key No.	Part No.	Interchangeability	Part Name	Qty.	Applicable Ser. No.	Remarks
27	0		O- RING	2		OPTION# 21001-00036

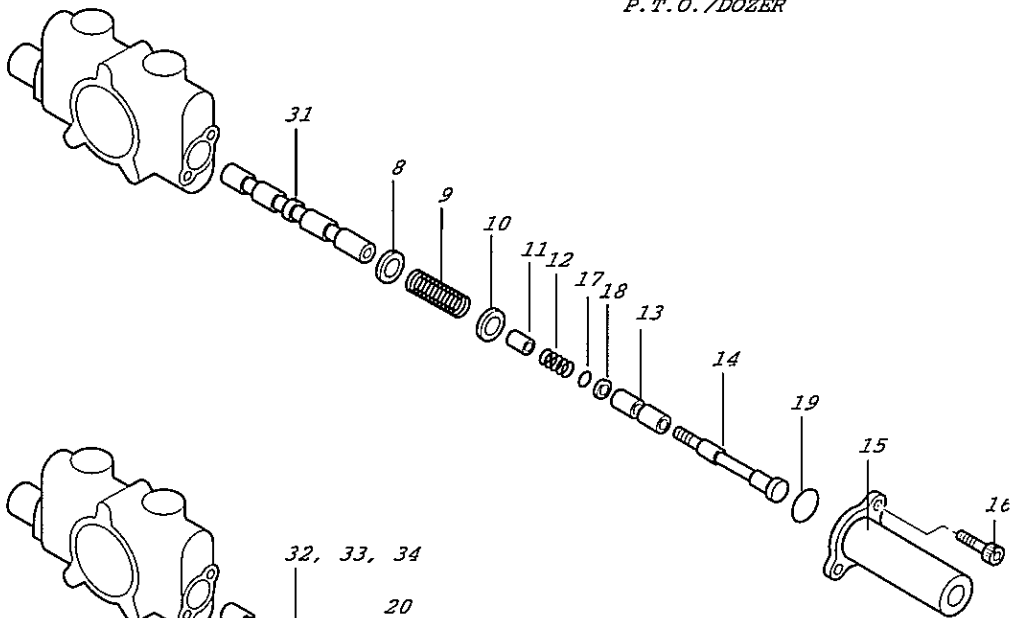


MEMO

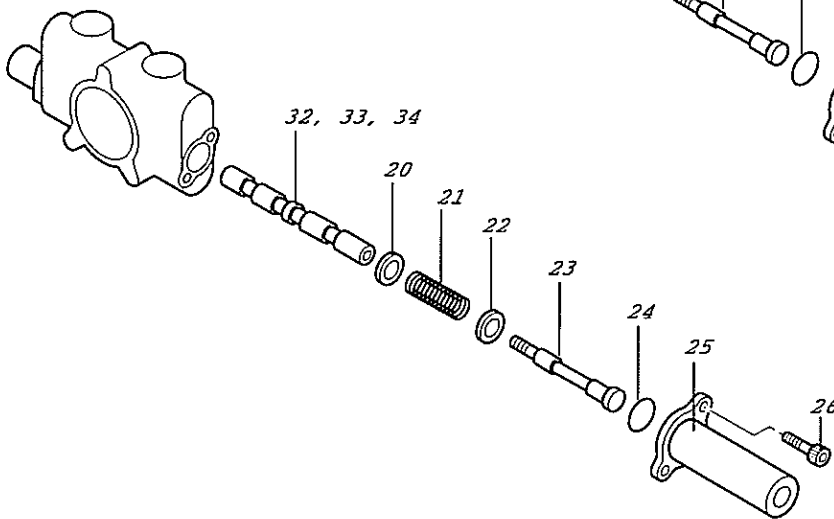
CONTROL VALVE(2)



FOR DRIVE (R) (L) / SWING  
P. T. O. / DOZER



FOR ARM



FOR BOOM / BUCKET / TURNING

## CONTROL VALVE(2)

SER. No: NS252001

Key No.	Part No.	Interchange-ability	Part Name	Qty.	Applicable Ser. No.	Remarks
1	0		O-RING	2		95111-01200
2	0		RING, WIPER	2		21011-22151
3	0		SEAT, SPRING	2		21011-21251
4	0		SPRING	1		21011-22451
5	0		SCREW, CAP	1		21011-22368
6	0		CAP	1		21011-21851
7	ME0160-05012-a		BOLT, SOCKET HEAD	2		
8	0		SEAT, SPRING	1		21011-21255
9	0		SPRING	1		21011-22417
10	0		SEAT, SPRING	1		21111-21255
11	0		POPPET	1		21011-21061
12	0		SPRING	1		21011-22403
13	0		SPACER	1		21011-20676
14	0		END, SPOOL	1		21011-22261
15	0		CAP	1		21011-21860
16	ME0160-05018-a		BOLT, SOCKET HEAD	4		
17	0		O-RING	1		95111-00300
18	0		RING, WIPER	1		95712-00300
19	0		O-RING	2		95151-02200
20	0		SEAT, SPRING	1		21011-21255
21	0		SPRING	1		21011-22417
22	0		SEAT, SPRING	1		21111-21255
23	0		END, SPOOL	1		21011-22364
24	0		O-RING	2		95151-02200
25	0		CAP	1		21011-21821
26	ME0160-05018-a		BOLT, SOCKET HEAD	4		

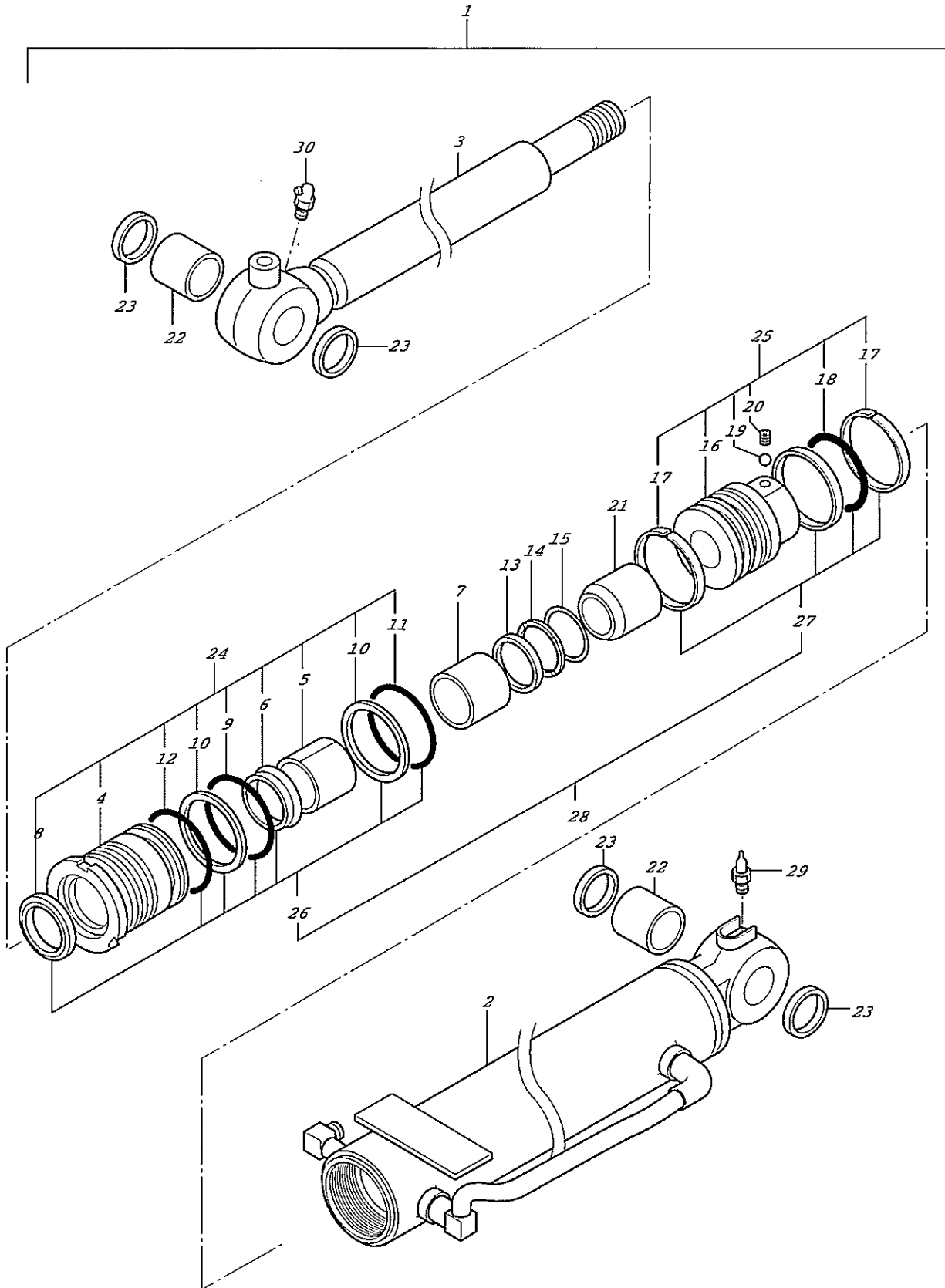
CONTROL VALVE(2)

SER. No: NS252001

Key No.	Part No.	Interchange-ability	Part Name	Qty.	Applicable Ser. No.	Remarks
27	0		SPOOL	2		DRIVE C0010-21020
28			SPOOL	1		SWING 21011-23347
29			SPOOL	1		PTO C0011-21012
30			SPOOL	1		DOZER C0011-21021
31			SPOOL	1		ARM 21011-23355
32			SPOOL	1		BOOM C0011-21419
33			SPOOL	1		BACKET 21011-23365
34			SPOOL	1		TURNING 21011-22967



BOOM CYLINDER



## BOOM CYLINDER

SER. No: NS252001

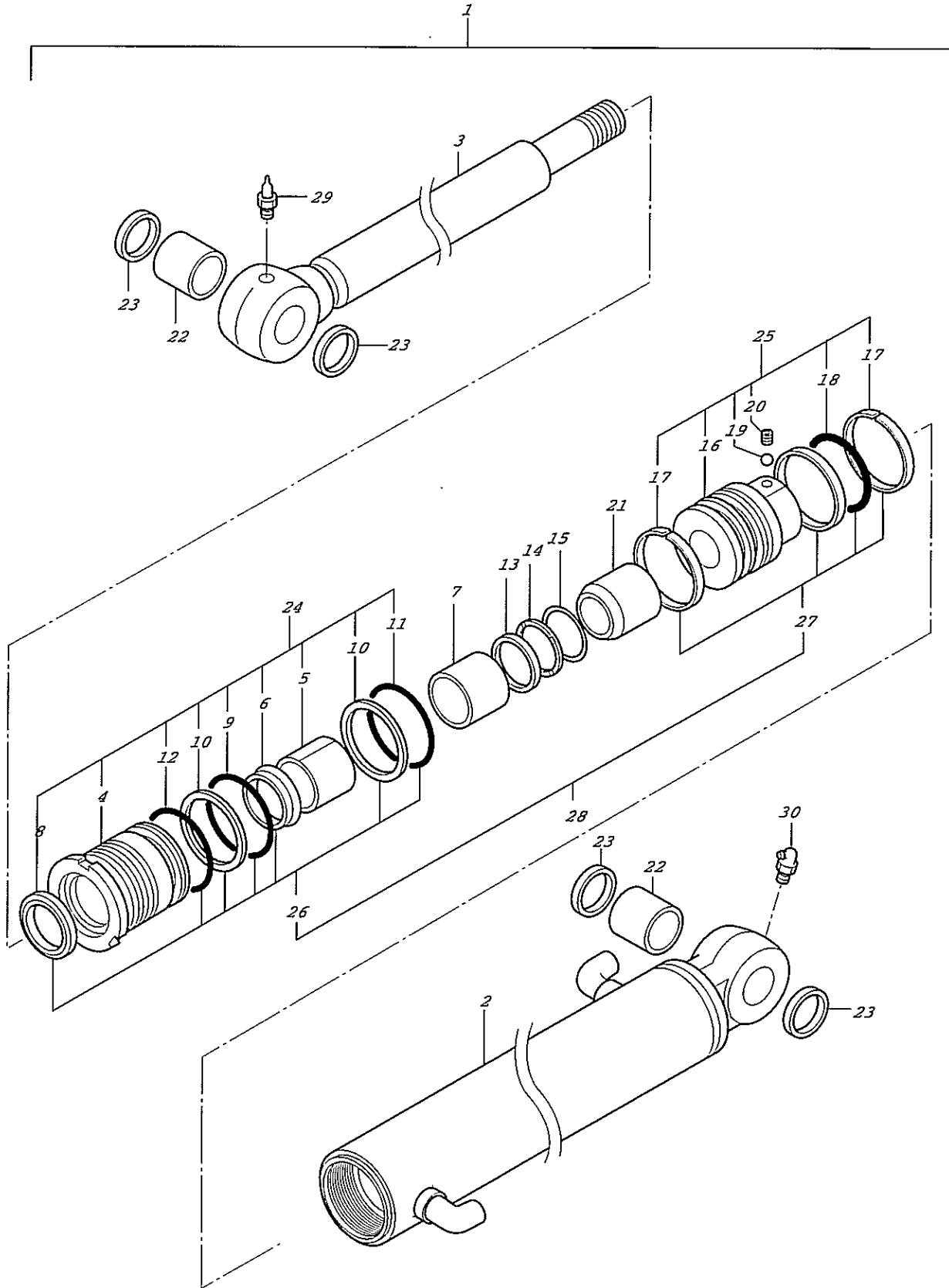
Key No.	Part No.	Interchange-ability	Part Name	Qty.	Applicable Ser. No.	Remarks
*1	MENPS7-00400-1		BOOM CYLINDER ASS'Y	1		INC.2-23 60630-36400
2			CYLINDER TUBE ASS'Y	1		60632-36401
3			PISTON ROD ASS'Y	1		60632-36402
4			HEAD, CYLINDER	1		60121-75181
5			BUSH	1		30131-04003
6			U-RING	1		30911-04013
7			RETAINER	1		60451-75111
8			WIPER RING	1		30191-40050
9			O-RING	1		95122-07000
10			RING, BACKUP	2		95723-07000
11			O-RING	1		95122-06500
12			O-RING	1		95122-07500
13			RING, CUSHION	1		60561-40004
14			SPACER	1		60111-40001
15			STOPPER	1		60331-52003
16			PISTON	1		60221-75102
17			RING, SLIDE	2		30181-75013
18			SEAL RING ASS'Y	1		30983-75001
19			BALL, STEEL	1		96321-03960
20			SETSCREW	1		91511-06080
21			BEARING, CUSHION	1		60551-40006
22			PIN, BUSH	2		60421-40340
23			SEAL, DUST	4		60191-40006
*24			CYLINDER HEAD ASS'Y	1		INC.4-6, 8-12 60123-75181Y
*25			PISTON ASS'Y	1		INC.16-20 60223-75102
*26	MENPS7-00420		ROD PACKING ASS'Y	1		INC.6-8-12

BOOM CYLINDER

SER. No: NS252001

Key No.	Part No.	Interchangeability	Part Name	Qty.	Applicable Ser. No.	Remarks
*27	MENPS7-00430		PISTON PACKING ASS'Y	1		INC.17,18
*28	MENPS7-00410		PACKING ASS'Y	1		INC.26,27 60639-36401
29	ME0540-02000-F		NIPPLE, GREASE	1		
30	ME0542-02000-F		NIPPLE, GREASE 90°	1		

ARM CYLINDER



## ARM CYLINDER

SER. No: NS252001

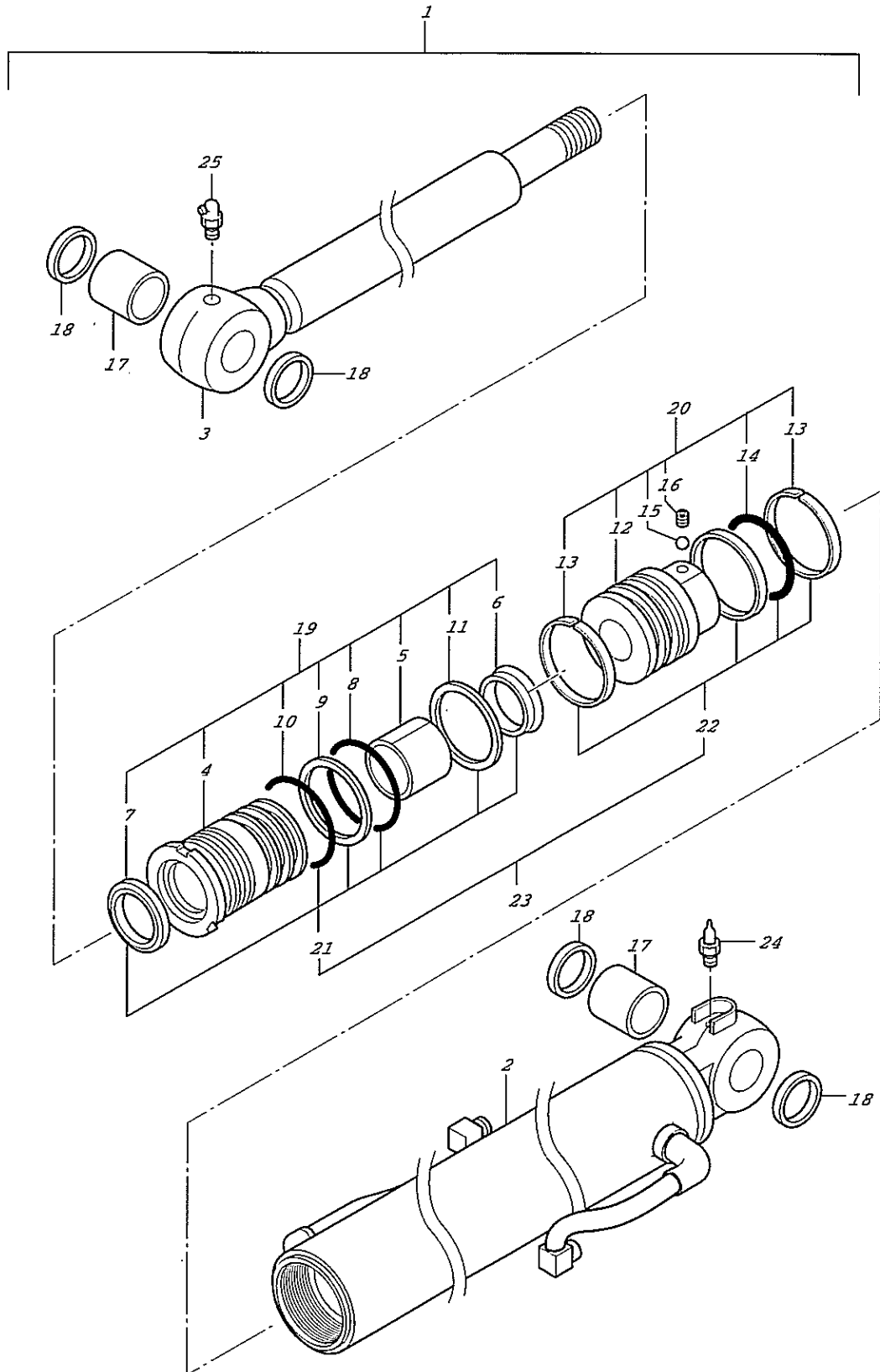
Key No.	Part No.	Interchange-ability	Part Name	Qty.	Applicable Ser. No.	Remarks
*1	MENPS7-00500		ARM CYLINDER ASS'Y	1		INC 2-23 60630-36500
2			CYLINDER TUBE ASS'Y	1		60632-36501
3			PISTON ROD ASS'Y	1		60632-36502
4			HEAD, CYLINDER	1		60121-75181
5			BUSH	1		30131-04003
6			U-RING	1		30911-04013
7			RETAINER	1		60451-75101
8			RING, WIPER	1		30191-40050
9			O-RING	1		95122-07000
10			RING, BACKUP	2		95723-07000
11			O-RING	1		95122-06500
12			O-RING	1		95122-07500
13			RING, CUSHION	1		60561-40004
14			SPACER	1		60111-40001
15			STOPPER	1		60331-52003
16			PISTON	1		60221-75102
17			RING, SLIDE	2		30181-75013
18			SEAL RING ASS'Y	1		30983-75001
19			BALL, STEEL	1		96321-03960
20			SET SCREW	1		91511-06080
21			BEARING, CUSHION	1		60551-40008
22			PIN, BUSH	2		60421-35340
23			SEAL, DUST	4		60191-35006
*24			CYLINDER HEAD ASS'Y	1		INC. 4-6, 8-12 60123-75181Y
*25			PISTON ASS'Y	1		INC. 16-20 60223-75102
*26	MENPS7-00520		ROD PACKING ASS'Y	1		INC. 6, 8-12

ARM CYLINDER

SER. No: NS252001

Key No.	Part No.	Interchange-ability	Part Name	Qty.	Applicable Ser. No.	Remarks
*27	MENPS7-00530		PISTON PACKING ASS'Y	1		INC.17-18
*28	MENPS7-00510		PACKING ASS'Y	1		INC.26-27 60639-36501
29	ME0540-02000-F		NIPPLE, GREASE	1		
30	ME0542-02000-F		NIPPLE, GREASE 90°	1		

BUCKET CYLINDER



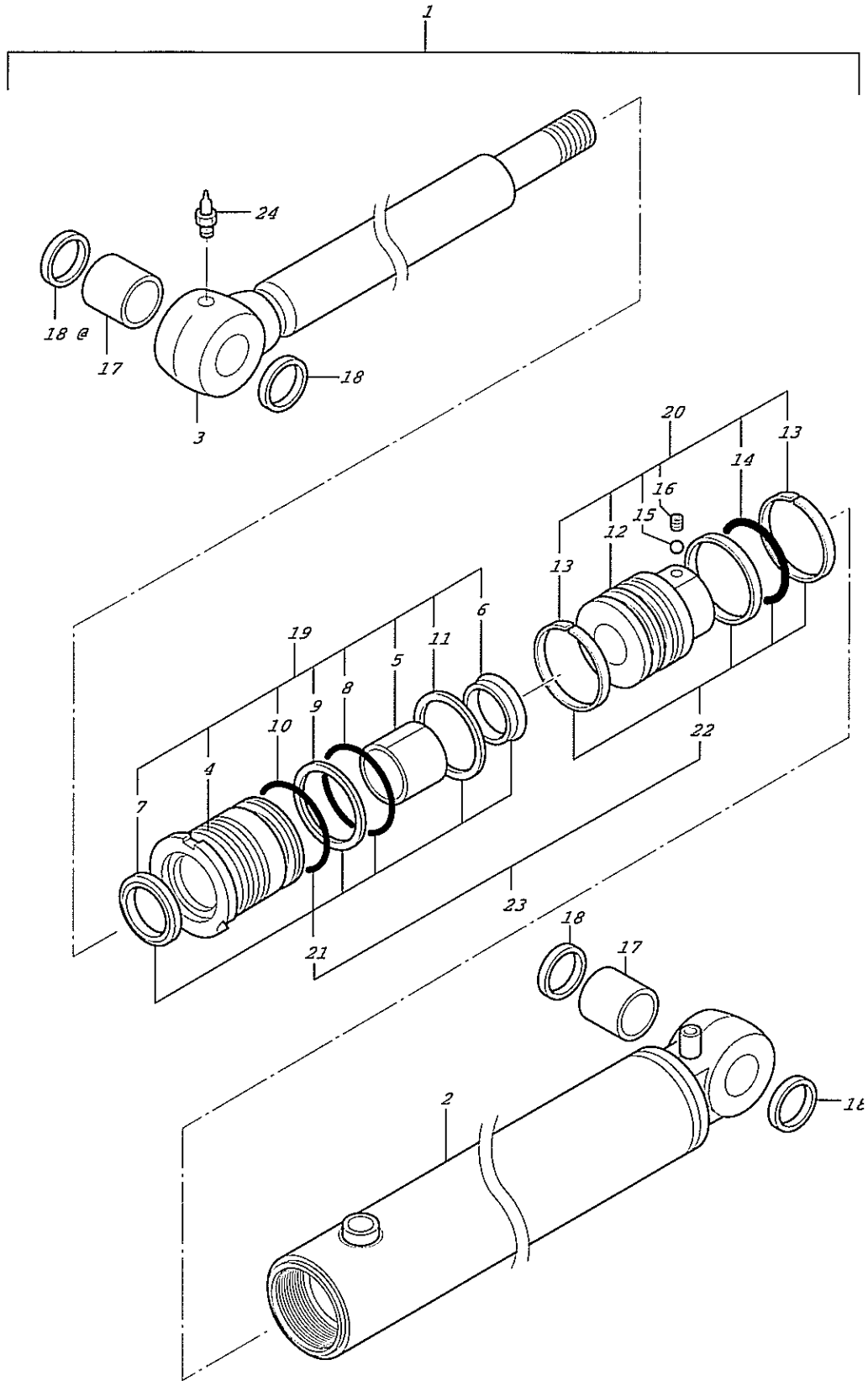
## BUCKET CYLINDER

SER. No: NS252001

Key No.	Part No.	Interchange-ability	Part Name	Qty.	Applicable Ser. No.	Remarks
*1	MENPS7-00600		BUCKET CYLINDER ASS'Y	1		INC.2-18 60630-36600
2			CYLINDER TUBE ASS'Y	1		60632-36601
3			PISTON ROD ASS'Y	1		60632-26402
4			HEAD, CYLINDER	1		60121-70130
5			BUSH	1		30131-04503
6			U-RING	1		60911-45003
7			RING, WIPER	1		30191-45050
8			O-RING	1		95122-06500
9			RING, BACKUP	1		95723-06500
10			O-RING	1		95122-07000
11			RING, BACKUP	1		60461-45004
12			PISTON	1		60221-70103
13			RING, SLIDE	2		30181-70013
14			SEAL RING ASS'Y	1		30983-70001
15			BALL, STEEL	1		96321-03960
16			SET SCREW	1		91511-06080
17			PIN, BUSH	2		60421-35340
18			SEAL, DUST	4		60191-35006
*19			CYLINDER HEAD ASS'Y	1		INC.4-11
*20			PISTON ASS'Y	1		INC.12-16
*21	MENPS7-00620		ROD PACKING ASS'Y	1		INC.6-11
*22	MENPS7-00630		PISTON PACKING ASS'Y	1		INC.13.14
*23	MENPS7-00610		PACKING ASS'Y	1		INC.21.22 60639-36601
24	ME0540-02000-F		NIPPLE, GREASE	1		
25	ME0542-02000-F		NIPPLE, GREASE 90°	1		



SWING CYLINDER

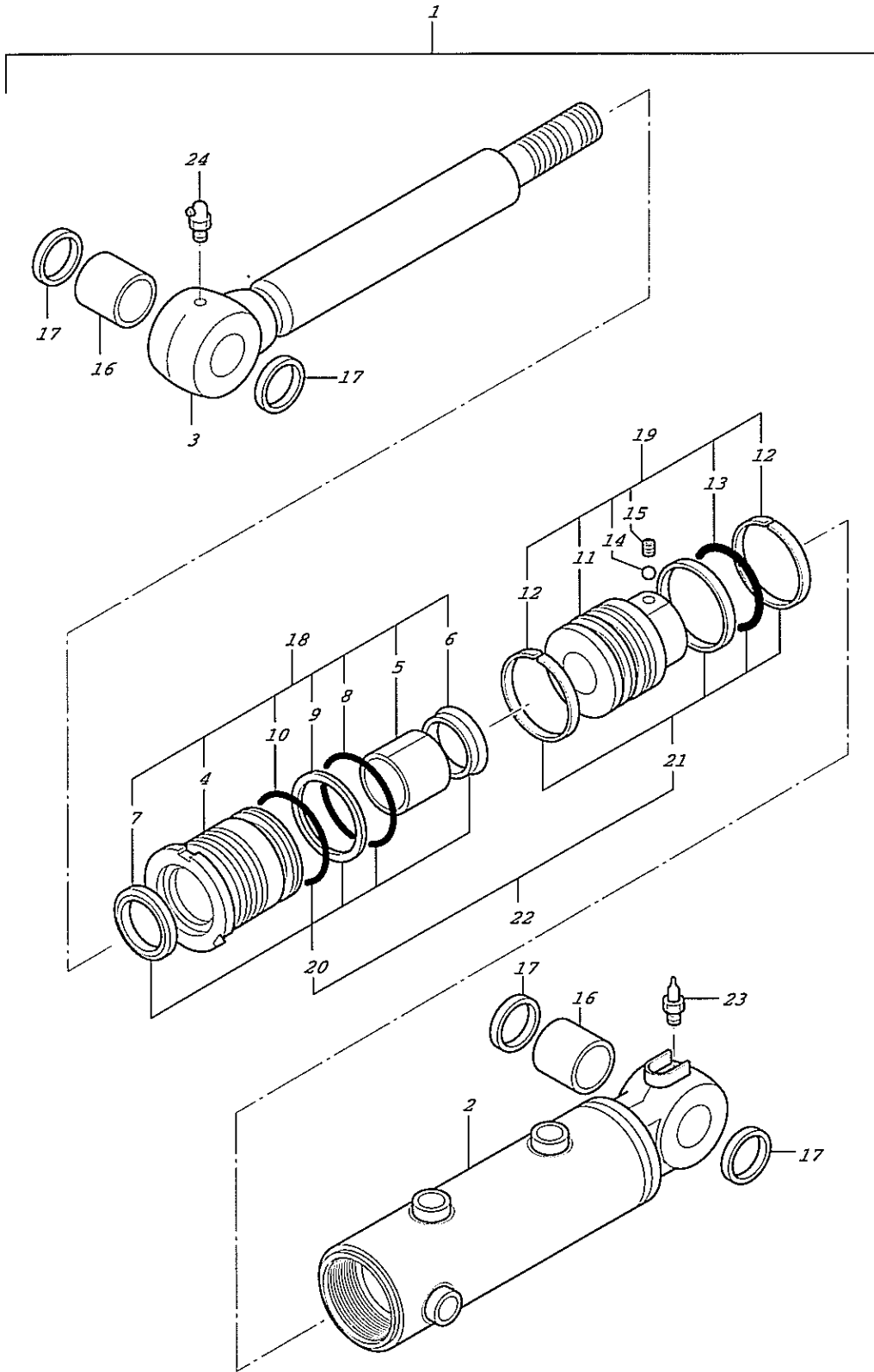


## SWING CYLINDER

SER. No: NS252001

Key No.	Part No.	Interchange-ability	Part Name	Qty.	Applicable Ser. No.	Remarks
*1	MENPS7-00700		SWING CYLINDER ASS'Y	1		INC.2-18 60630-36700
2			CYLINDER TUBE ASS'Y	1		60632-36701
3			PISTON ROD ASS'Y	1		60632-36702
4			HEAD, CYLINDER	1		60121-65130
5			BUSH	1		30131-04003
6			U-RING	1		60911-40002
7			RING, WIPER	1		30191-40050
8			O-RING	1		95122-06000
9			RING, BACKUP	1		95723-06000
10			O-RING	1		95122-06500
11			RING, BACKUP	1		95723-06000
12			PISTON	1		60221-65112
13			RING, SLIDE	2		60231-65091
14			SEAL RING ASS'Y	1		30983-65001
15			BALL, STEEL	1		96321-03960
16			SET SCREW	1		91511-06080
17			PIN, BUSH	2		60421-35340
18			SEAL, DUST	4		60191-35006
*19			CYLINDER HEAD ASS'Y	1		INC.4-11 60123-65130Y
*20			PISTON ASS'Y	1		INC.12-16 60223-65112
*21	MENPS7-00720		ROD PACKING ASS'Y	1		INC.6-11
*22	MENPS7-00730		PISTON PACKING ASS'Y	1		INC.13.14
*23	MENPS7-00710		PACKING ASS'Y	1		INC.21.22 60639-36701
24	ME0540-02000-F		NIPPLE, GREASE	1		

DOZER CYLINDER

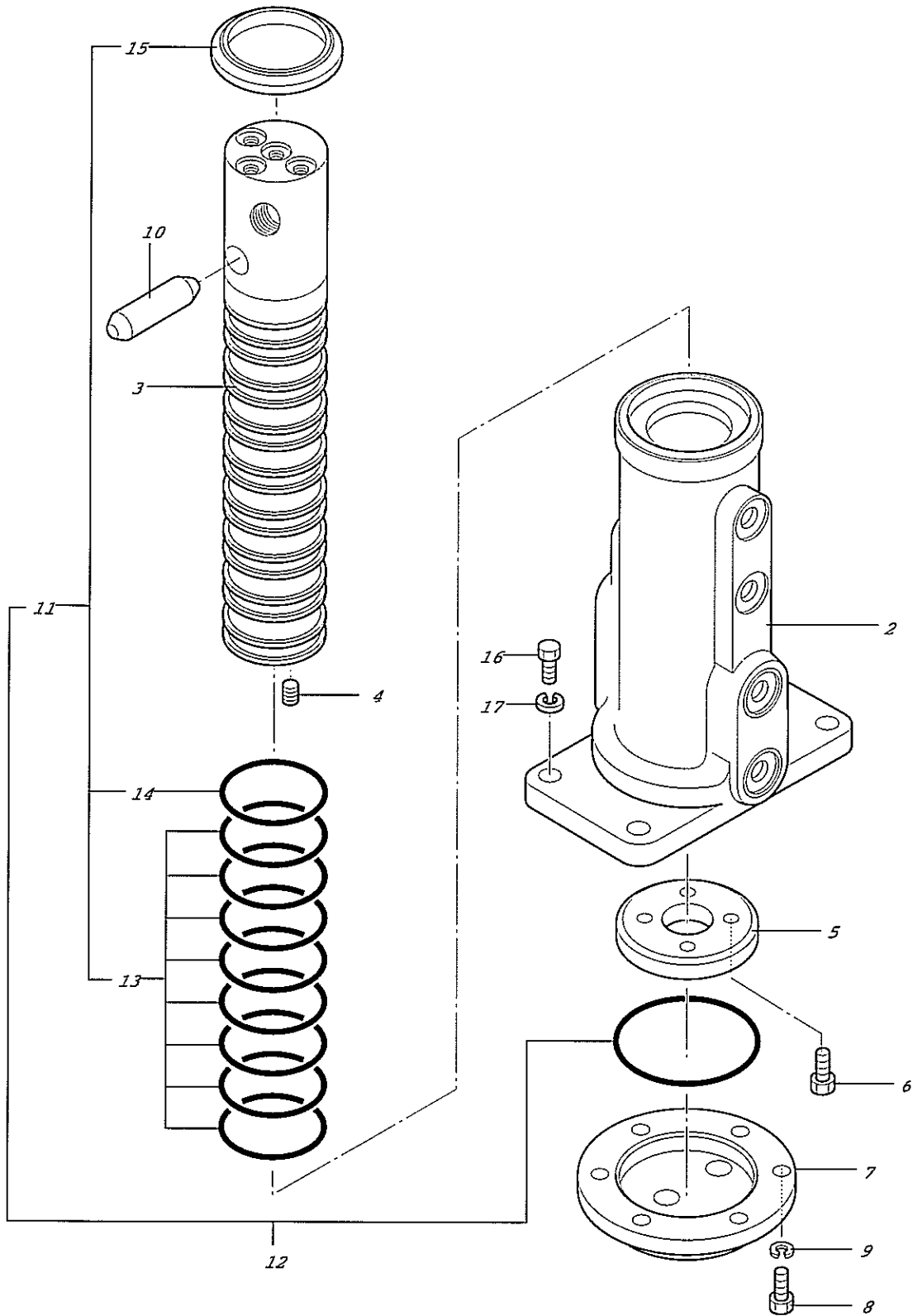


## DOZER CYLINDER

SER. No: NS252001

Key No.	Part No.	Interchange-ability	Part Name	Qty.	Applicable Ser. No.	Remarks
*1	MENPS7-00800-1		DOZER CYLINDER ASS'Y	1		INC. 2-17 60630-36800-1
2			CYLINDER TUBE ASS'Y	1		60632-36801
3			PISTON ROD ASS'Y	1		60622-52902
4			HEAD, CYLINDER	1		60121-75101
5			BUSH	1		30131-04003
6			U-RING	1		30911-04013
7			RING, WIPER	1		30191-40050
8			O-RING	1		95122-07000
9			RING, BACKUP	1		95723-07000
10			O-RING	1		95122-07500
11			PISTON	1		60221-75102
12			RING, SLIDE	2		30181-75013
13			SEAL RING ASS'Y	1		30983-75001
14			BALL, STEEL	1		96321-03960
15			SET SCREW	1		91511-06080
16			PIN, BUSH	2		60421-35340
17			SEAL, DUST	4		60191-35006
*18			CYLINDER HEAD ASS'Y	1		INC. 4-10 60123-75101Y
*19			PISTON ASS'Y	1		INC. 11-15 60223-75102
*20	MENPS7-00820		ROD PACKING ASS'Y	1		INC. 6-10
*21	MENPS7-00830		PISTON PACKING ASS'Y	1		INC. 12, 13
*22	MENPS7-00810		PACKING ASS'Y	1		INC. 20, 21 60639-36801
23	ME0540-02000-F		NIPPLE, GREASE	1		
24	ME0541-02000-F		NIPPLE, GREASE	1		

SWIVEL JOINT

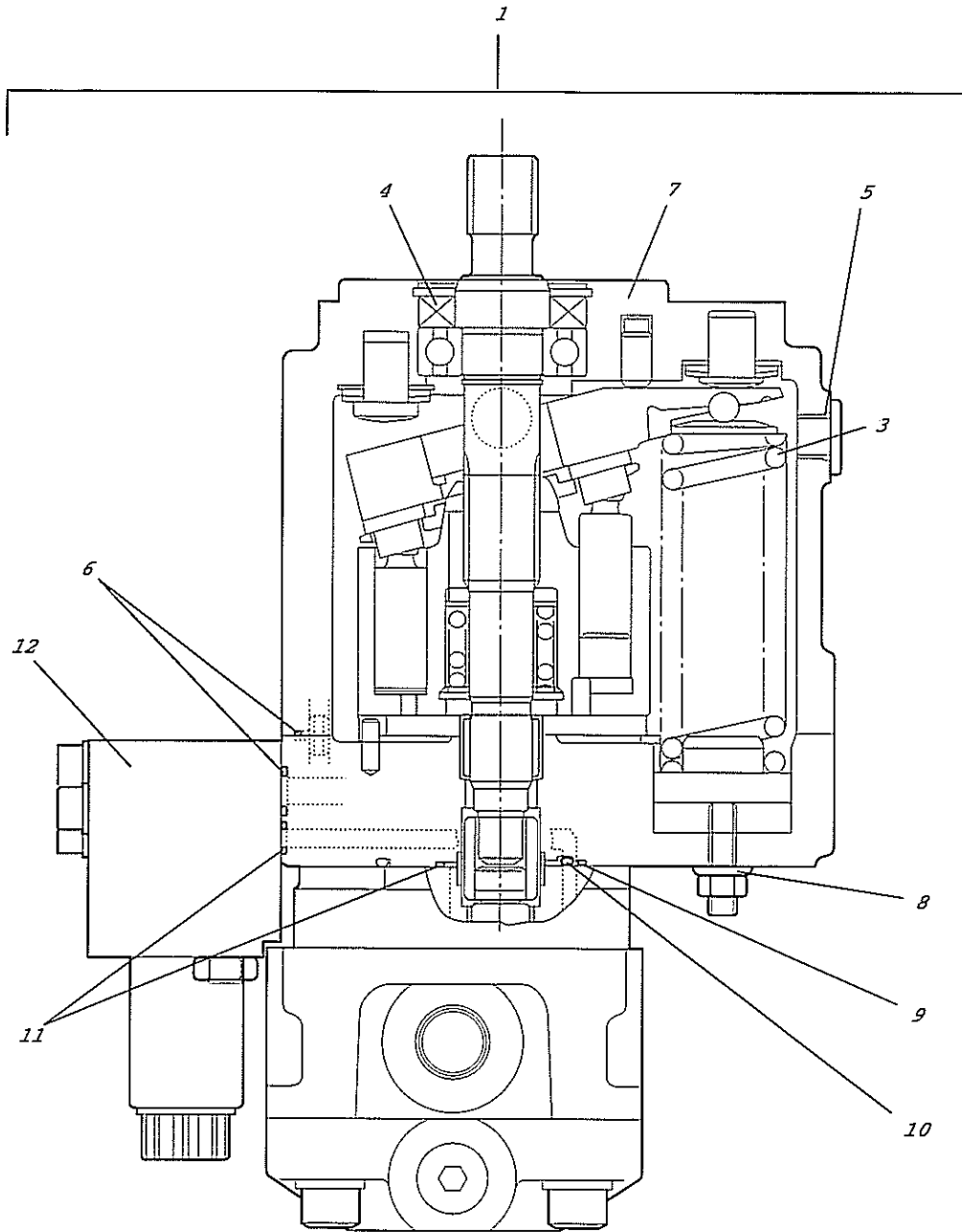


SWIVEL JOINT

SER. No: NS252001

Key No.	Part No.	Interchangeability	Part Name	Qty.	Applicable Ser. No.	Remarks
*1	MEHBA1-30000		SWIVEL JOINT ASS'Y	1		INC.2-15
2	MEHBA1-30001		CYLINDER	1		
3	MEHBA1-30002-1		ROTOR	1		
4	ME0545-04000-h		PLUG	2		
5	ME8822-017004		WASHER, THRUST	1		
6	ME0160-10020-c		BOLT, SOCKET HEAD	4		
7	ME8822-017003		CAP	1		
8	ME0211-08025-a		BOLT	6		
9	ME0389-08000-a		WASHER, SPRING	6		
10	MEHBA1-30003-1		PIN, KNOCK	1		
*11	MEHCA1-30100		PACKING ASS'Y	1		
12	ME0491-00100-a		O-RING	1		
13	MENK27-89001		SEAL, SLIPER	8		
14	ME0490-00070-b		O-RING	1		
15	ME0493-80094-d		SEAL, DUST	1		

PUMP



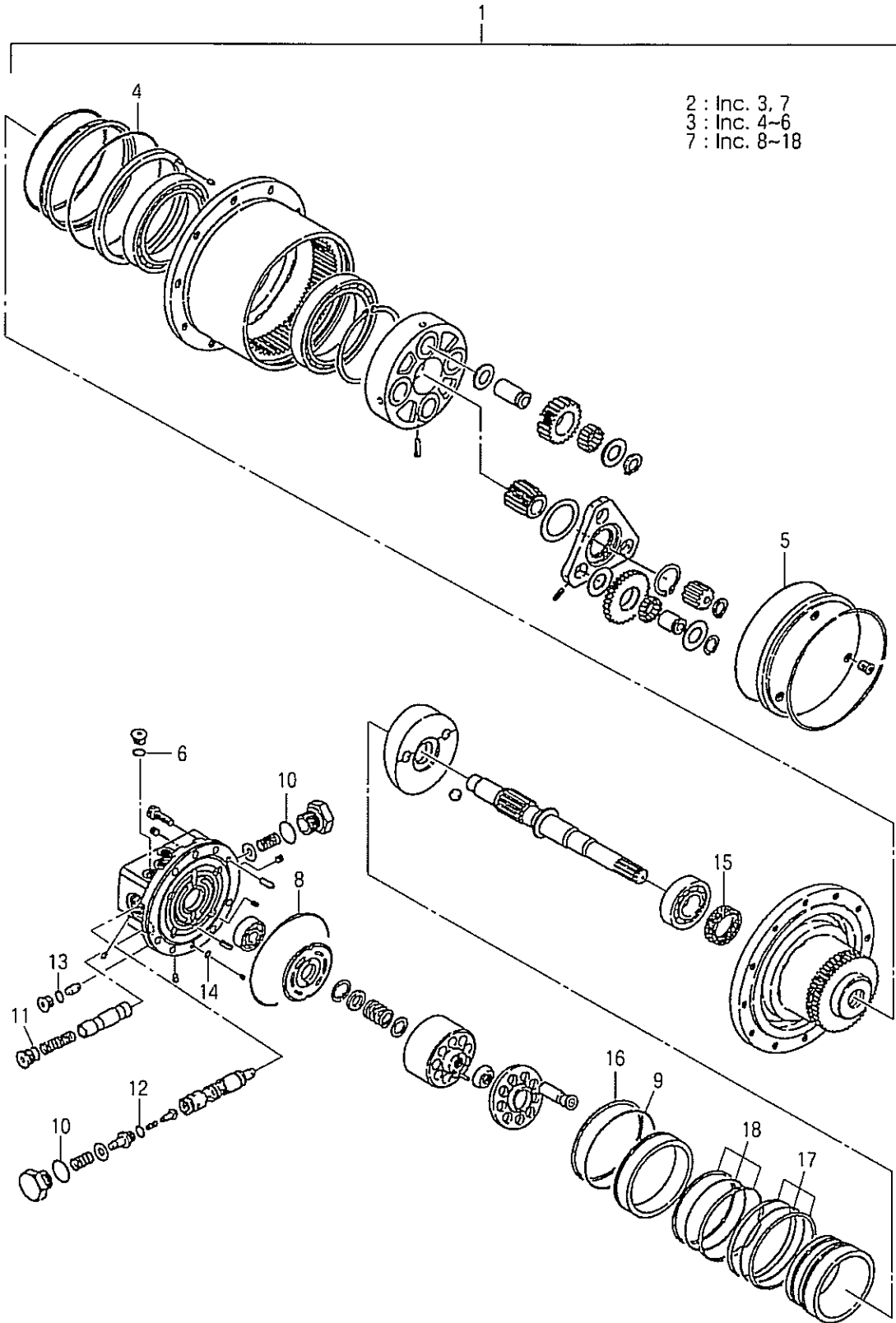
PUMP

SER. No: NS252001

Key No.	Part No.	Interchange-ability	Part Name	Qty.	Applicable Ser. No.	Remarks
*1	MENPS7-00300		PUMP, GEAR	1		INC.2-12
*2	MEPDBS-101570		PACKING ASS'Y	1		INC.3-11
3	MEFZS-2232-13-2		PACKING	1		
4	MESCJY-305210-V		SEAL, OIL	1		
5	MERO-P11-90		O-RING	1		JIS B24011B P11
6	MERO-P12-90		O-RING	3		JIS B24011B P12
7	MEWD8A~16A~2.0		O-RING	1		JIS B24011B P11
8	MEGCS-1-M-1022		WASHER, SEAL	1		
9	MERO-P7-90		O-RING	1		JIS B24011B P7
10	MERO-G55-90		O-RING	1		JIS B24011B G55
11	MERO-P8-90		O-RING	2		JIS B24011B P8
12	MEZZ-G01-A-D1-6090B		VALVE ASS'Y	1		



DRIVE MOTOR

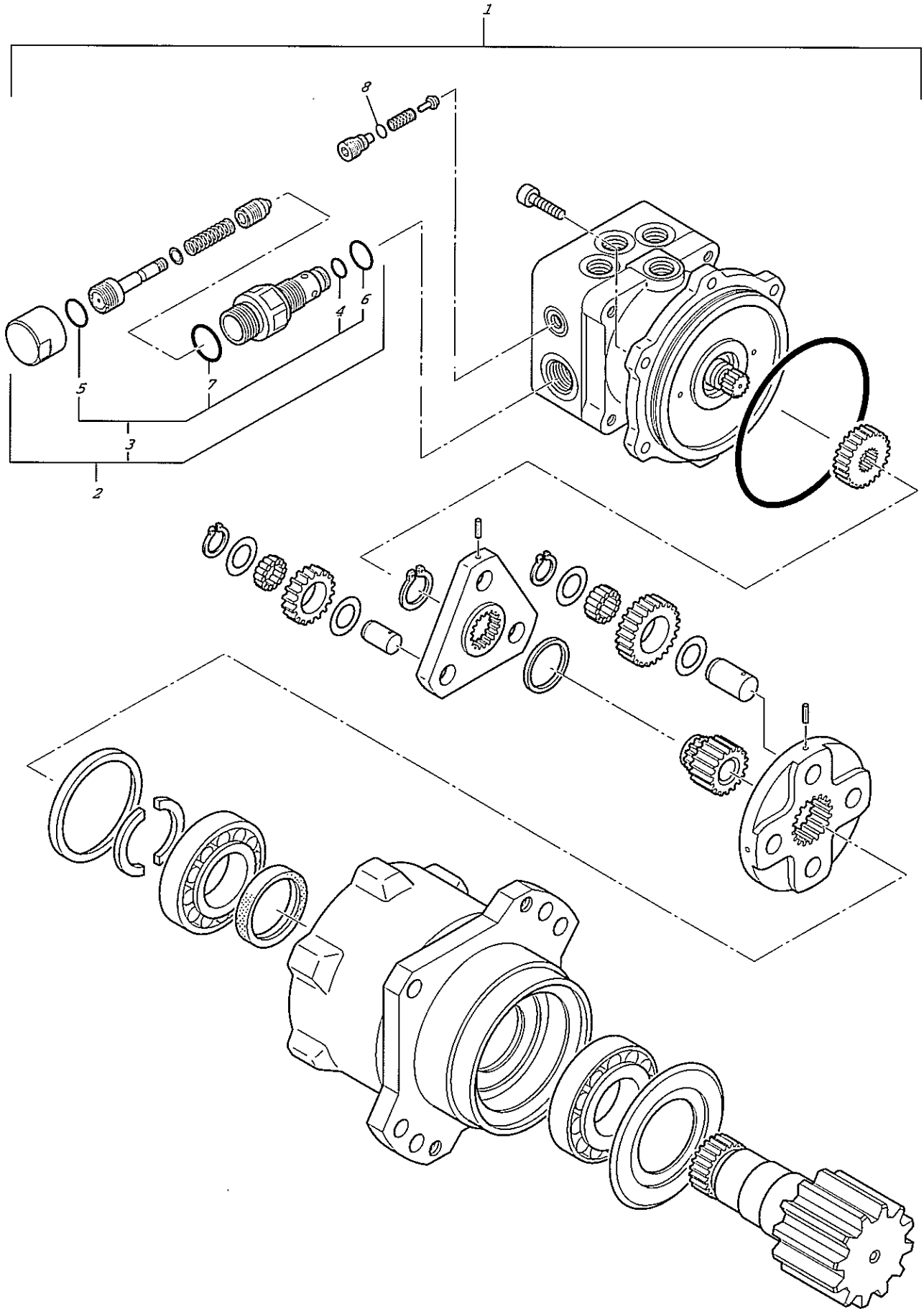


DRIVE MOTOR

SER. No: NS252001

Key No.	Part No.	Interchangeability	Part Name	Qty.	Applicable Ser. No.	Remarks
*1	MENPS7-00900		DRIVE MOTOR ASS'Y	2		
*2	MEGHS-0-8112		PACKING ASS'Y	1		INC.3,7
*3	MEGHS-1-8112		PACKING ASS'Y	1		INC.4-6
4	MEROA-262-70		O-RING	1		
5	MEROA-261-70		O-RING	1		
6	MERO-P11-90		O-RING	1		
*7	MEGHS-1-2307		PACKING ASS'Y	1		INC.8-18
8	MERO-G125-90		O-RING	1		
9	MERO-G100-90		O-RING	1		
10	MERO-P25-90		O-RING	2		
11	MERO-P14-90		O-RING	2		
12	MERO-P12.5-70		O-RING	2		
13	MERO-P8-90		O-RING	2		
14	MERO-P7-90		O-RING	1		
15	MESCJY20328.5		SEAL, OIL	1		
16	MERBO-G100		RING, BACK UP	1		
17	MESPGY89-95-5A		SEAL, PISTON	1		
18	MESPGY84-90-5A		SEAL, PISTON	1		

TURNING MOTOR



MODEL: T25 S

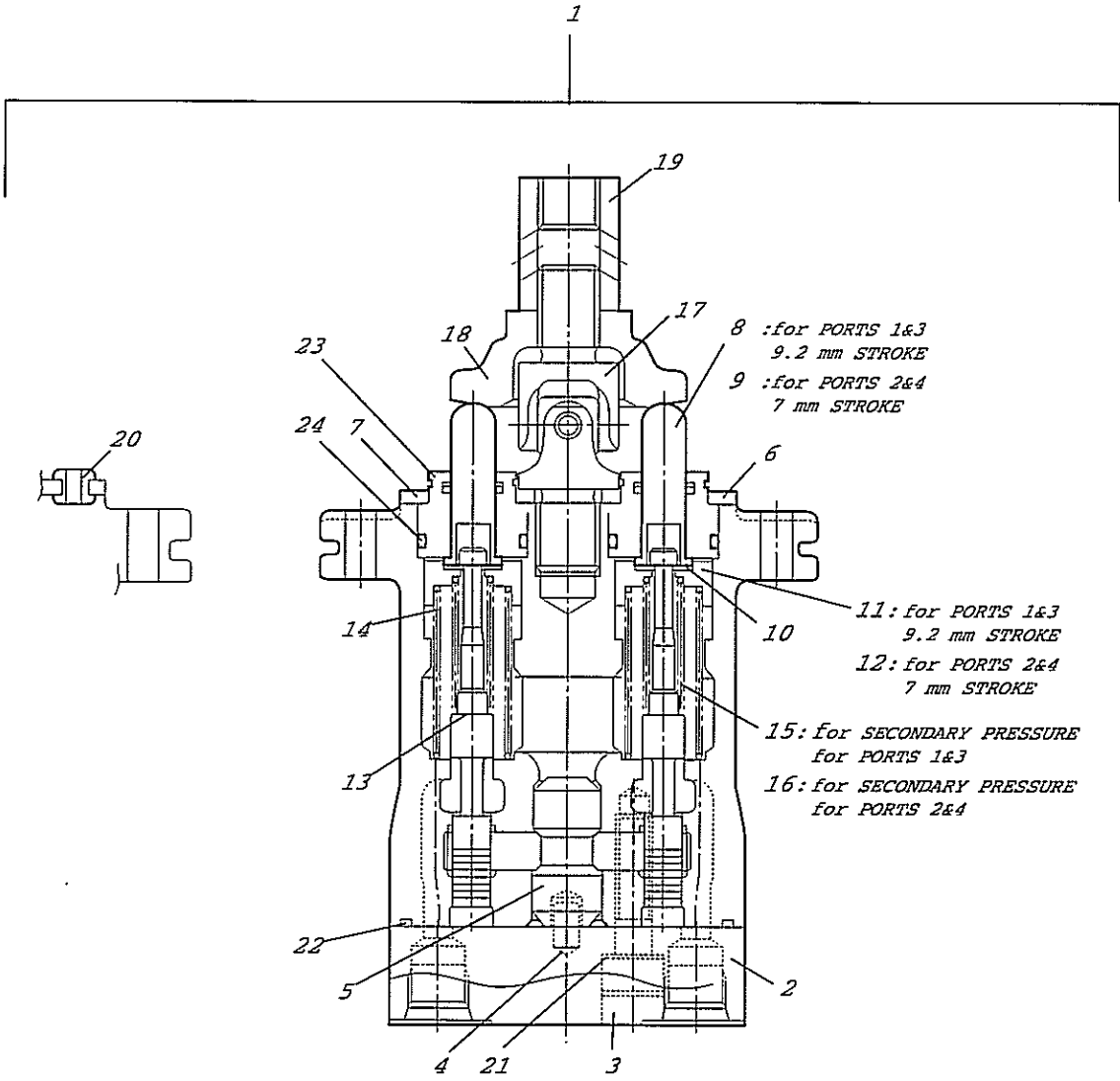
F55

TURNING MOTOR

SER. No: NS252001

Key No.	Part No.	Interchange-ability	Part Name	Qty.	Applicable Ser. No.	Remarks
*1	MENK27-70900-1		SWING MOTOR ASS'Y	1		INC.2-8 PCL-50-19-752-8733A
*2	MEZR-03-NB17-8683A		RELIEF VALVE ASS'Y	2		INC.3
*3	MEGCS-1-5854		PACKING ASS'Y	2		INC.4-7
4	MERO-P14-90		O-RING	1		
5	MERO-P18-90		O-RING	1		
6	MERO-P22-90		O-RING	4		
7	MERO-P28-90		O-RING	4		
8	MERO-P11-90		O-RING	2		

HYDRAULIC COMPONENT



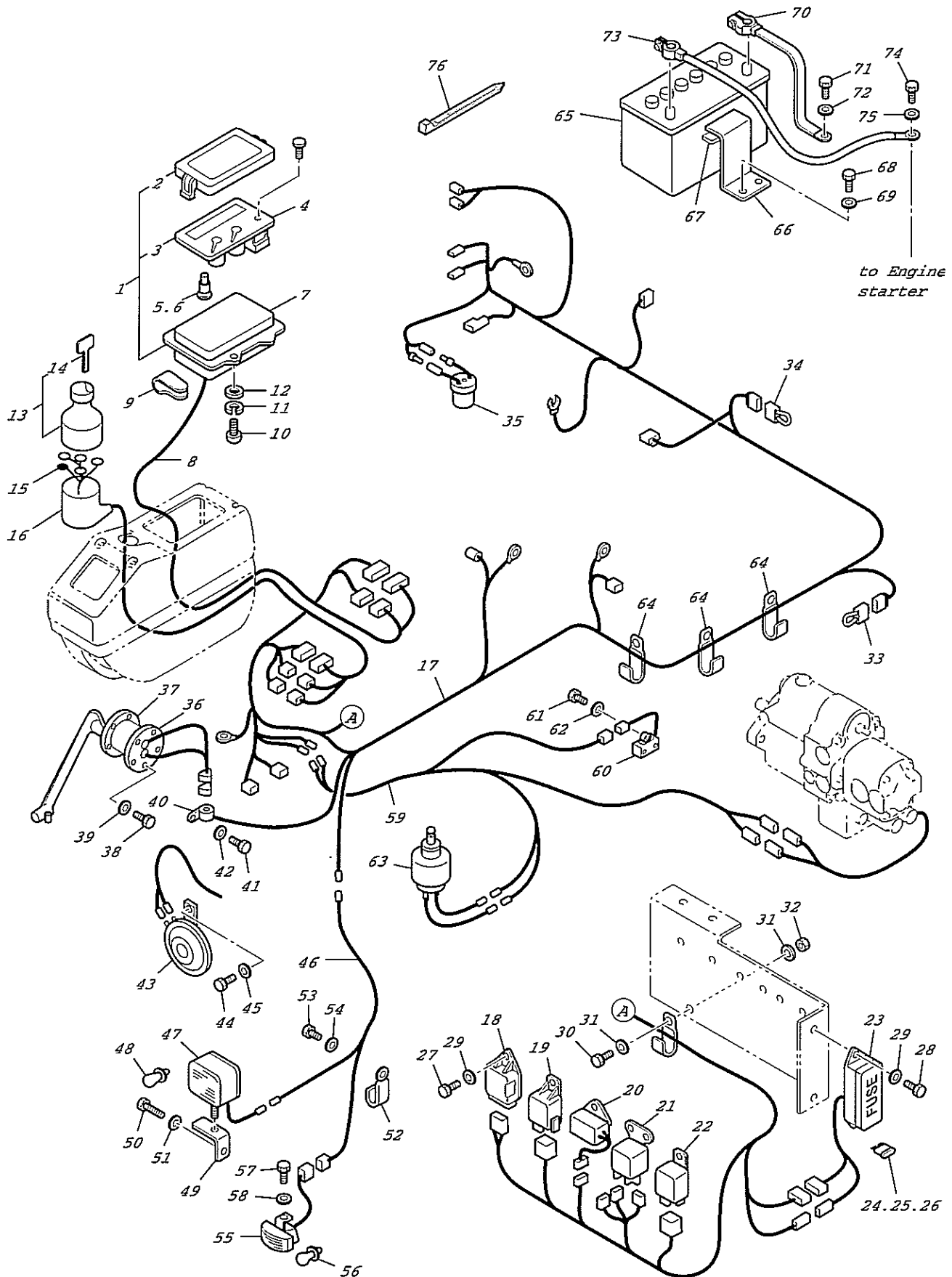
## HYDRAULIC COMPONENT

SER. No: NS252001

Key No.	Part No.	Interchange-ability	Part Name	Qty.	Applicable Ser. No.	Remarks
1	MENK27-71400		JOYSTICK VALVE ASS'Y	2		
2	ME5DTM1X03-111		PLATE, PORT	1		
3	MEVZ50106900		BOLT, SOCKET HEAD	2		
4	MEOSPV510		PIN, SPRING	1		
5	ME5DTM1X00-131		BUSH	1		
6	ME5DTM1X00-151		PLATE	1		
7	ME5DT01X00-211		PLUG	4		
8	ME5DT01X05-212		ROD, PUSH	2		
9	ME5DT01X04-212		ROD, PUSH	2		
10	ME5DT01X00-215		WASHER	8		
11	ME5DT01X00-216		SEAT, SPRING	2		
12	ME5DT01X01-216		SEAT, SPRING	2		
13	ME5DT01X00-217		WASHER 2	4		
14	ME5DT01X40-221		SPRING	4		
15	ME5DT01X13-241		SPRING	2		
16	ME5DT01X00-241		SPRING	2		
17	ME5DT61X01-301		JOINT	1		
18	ME5DT61X02-302		PLATE, CIRCULAR	1		
19	ME5DT61X20A-312		NUT, ADJUSTING	1		
20	ME5DT61X20-457		BUSH	1		
21	ME5DT01X01-121		WASHER, SEAL	2		
22	MEVZ50105770-03		O-RING	1		
23	ME5DT61X20-213		SEAL	4		
24	ME00RBP20		O-RING	4		

**ELECTRIC SYSTEM**

ELECTRIC SYSTEM(1)





## ELECTRIC SYSTEM(1)

SER. No: NS252001

Key No.	Part No.	Interchange-ability	Part Name	Qty.	Applicable Ser. No.	Remarks
1	MENK27-80006		METER UNIT ASS'Y	1		
2	ME0512-00709-A2		COVER	1		
3	0		FM A/TM	1		
4	0		METER, HOUR	1		
5	ME0554-00030		LAMP	6		
6	ME0554-00001		LAMP	1		
7	ME0514-03742-A1		CASE	1		
8	ME0551-07757-PX		CORD ASS'Y	1		
9	ME40901-04830		CLAMP	1		
10	ME0330-04010-a		SCREW, PANHEAD	4		
11	ME0380-04000-a		WASHER, SPRING	4		
12	ME0383-04000-a		WASHER	4		
13	ME40908-00011		KEY SWITCH ASS'Y	1		
14	ME41307-00007		KEY	2		
15	ME11620-01810		HARNESS, KEY SWITCH	1		
16	ME12002-01570		COVER	1		
17	MENK27-80800		HARNESS, MAIN	1		
18	ME897040-5010		TIMER, Q.O.S.	1		
19	ME40901-04160		RELAY	1		
20	ME897068-7780		UNIT, SAFETY	1		
21	ME894248-1610		RELAY, GROW	1		
22	ME582520-0290		RELAY, STARTER	1		
23	ME40901-04010		BOX, FUSE	1		
24	MEAF-3A		FUSE. 3A	C		
25	MEAF-10A		FUSE. 10A	C		
26	MEAF-15A		FUSE. 15A	C		

## ELECTRIC SYSTEM(1)

SER. No: NS252001

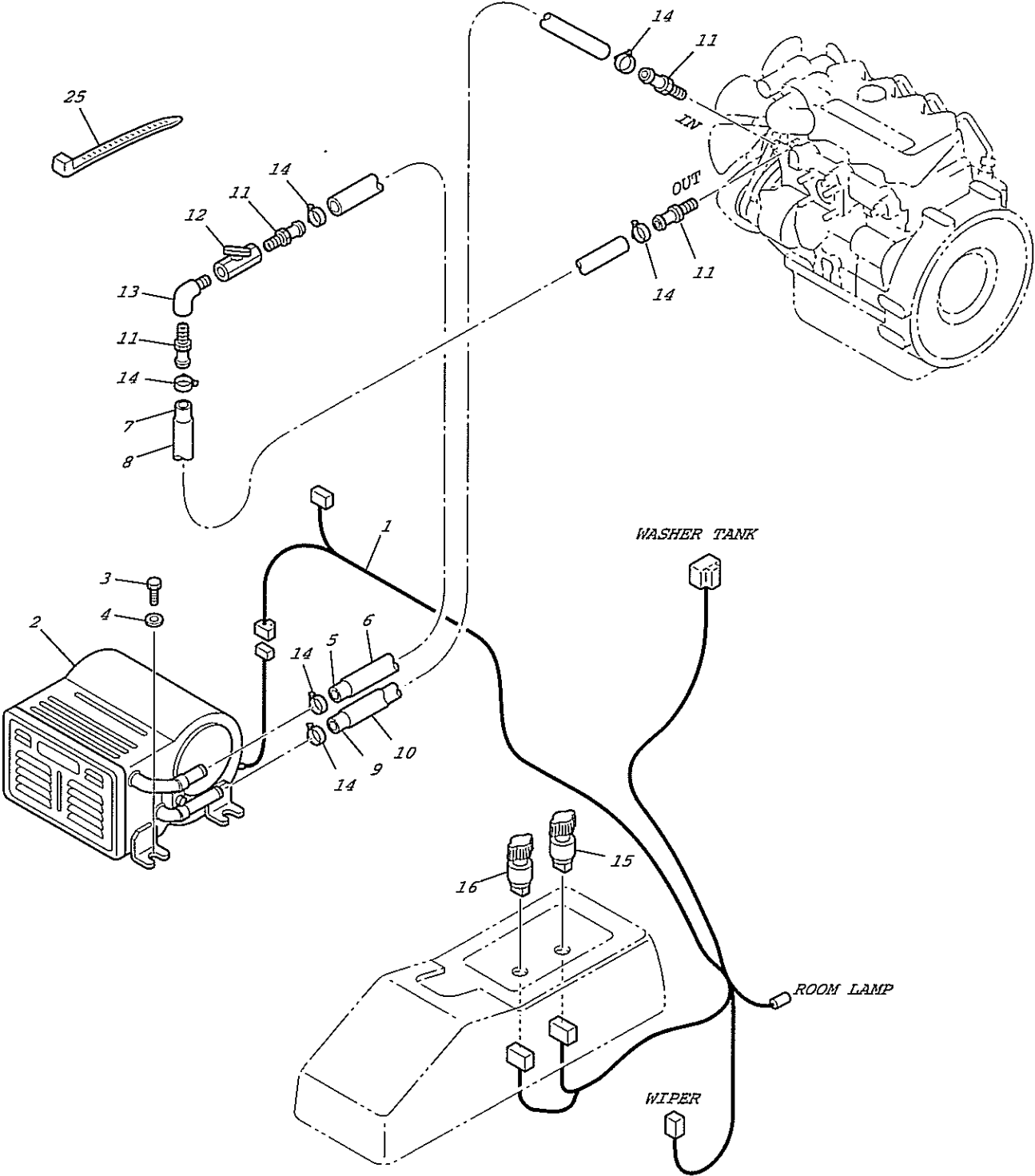
Key No.	Part No.	Interchange-ability	Part Name	Qty.	Applicable Ser. No.	Remarks
27	ME0102-06015-a		BOLT	6		
28	ME0102-06020-a		BOLT	2		
29	ME0383-06000-a		WASHER	8		
30	ME0102-08025-a		BOLT	1		
31	ME0389-08000-a		WASHER	2		
32	ME0251-08000-a		NUT	1		
33	ME7122-4123-50		LINK, FUSIBLE	1		
34	ME7122-6026-60		LINK, FUSIBLE	1		
35	MEREX018171		INDICATOR, DUST	1		
36	MENK27-80007		UNIT, SENDER	1		
37	MENAS8-00011		PACKING	1		
38	ME0102-05010-a		BOLT	5		
39	ME0380-06000-a		WASHER, SPRING	5		
40	ME40301-01990		CLANP	1		
41	ME0102-06010-a		BOLT	1		
42	ME0383-06000-a		WASHER	1		
43			HORN	1		SM-85H
44	ME0102-08015-a		BOLT	1		
45	ME0389-08000-a		WASHER	1		
46	MENOS8-00700		HARNES, LIGHT	1		
47	ME902-00450		LANP	1		
48	ME11-3208700-2		BULB	1		
49	ME10-030010		BRACKET	1		
50	ME0211-12020-a		BOLT	1		
51	ME0389-12000-a		WASHER LABEL	1		
52	ME933-59007		CLANP	1		

## ELECTRIC SYSTEM(1)

SER. No: NS252001

Key No.	Part No.	Interchange-ability	Part Name	Qty.	Applicable Ser. No.	Remarks
53	ME0102-08015-a		BOLT	1		
54	ME0389-08000-a		WASHER	1		
55	MEPA-2329		LANP	1		BH001-67220C
56	ME145-9730		BULB	1		BF141-45750A (12V20W)
57	ME0211-10020-a		BOLT	1		
58	ME0389-10000-a		WASHER	1		
59	MENPS8-00200		HARNESS, SOL	1		
60	MENPS8-00500		SWITCH, SAFETY ROCK ASS'Y	1		
61	ME0330-04025-a		SCREW, PANHEAD	2		
62	ME0383-04000-a		WASHER	2		
63	ME121-3667		SWITCH, OVER DRIVE	1		
64	ME942-00004		CLAMP	4		
65	ME904-00002-2		BATTERY	1		
66	MEHCA2-00001-1		PLATE	1		
67	MEHCA2-00002-1		RUBBER	1		
68	ME0211-10025-a		BOLT	2		
69	ME0389-10000-a		WASHER	2		
70	ME40907-00002		CORD, BATTERY(-)	1		
71	ME0211-10020-a		BOLT	1		
72	ME0389-10000-a		WASHER	1		
73	MENPS8-00400		CORD, BATTERY (+)	1		
74	ME0257-08000-a		NUT	1		
75	ME0389-08000-a		WASHER	1		
76	ME0805-78365-B		WIT, BAND	C		

ELECTRIC SYSTEM(2)



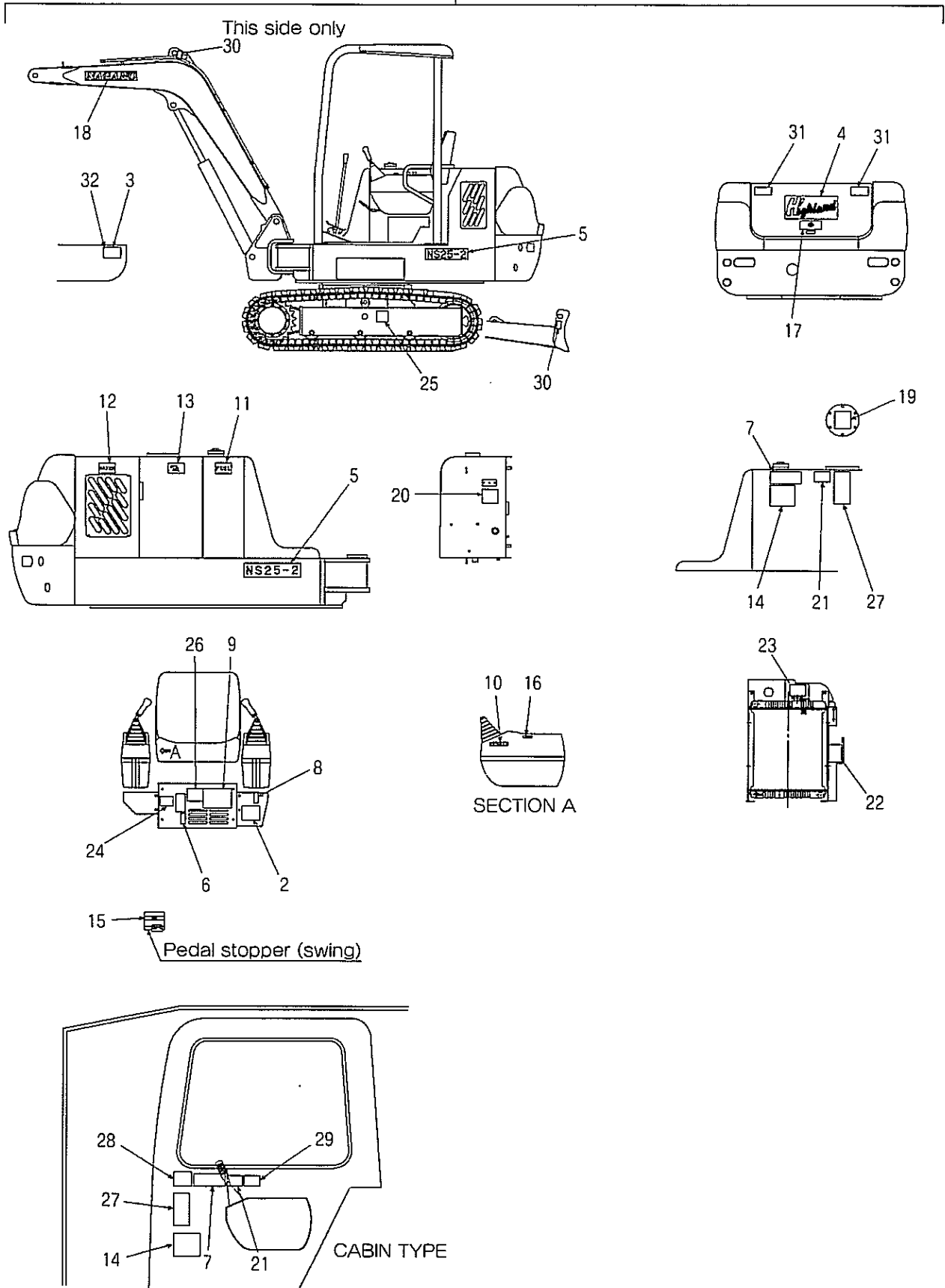
ELECTRIC SYSTEM(2)

SER. No: NS252001

Key No.	Part No.	Interchangeability	Part Name	Qty.	Applicable Ser. No.	Remarks
1	ME40901-01860		HARNESS, CAB	1		
2	ME40901-04170		HEATER	1		
3	ME0211-10020-a		BOLT	4		
4	ME0389-10000-a		WASHER	4		
5			HOSE, HEATER	1		E≥12-E≥20-700L
6			HOSE, VINYL	1		E≥25-E≥29-500L
7			HOSE, HEATER	1		E≥12-E≥20-1200L
8			HOSE, VINYL	1		E≥25-E≥29-1000L
9			HOSE, HEATER	1		E≥12-E≥20-2000L
10			HOSE, VINYL	1		E≥25-E≥29-1800L
11			NIPPLE, HOSE	4		Y, A 3001 3/8A~12
12	ME40501-01420		VALVE, HOSE	1		Y, A IV-06
13	ME0569-06006-h		ELBOW	1		
14	ME0759-02400-b		BAND, WIRE	6		
15	ME40901-04190		SWITCH, HEATER	1		
16	ME40901-03940		SWITCH, WIPER	1		

**LABEL**

LABEL(ENGLISH)



## LABEL(ENGLISH)

SER. No: NS252001

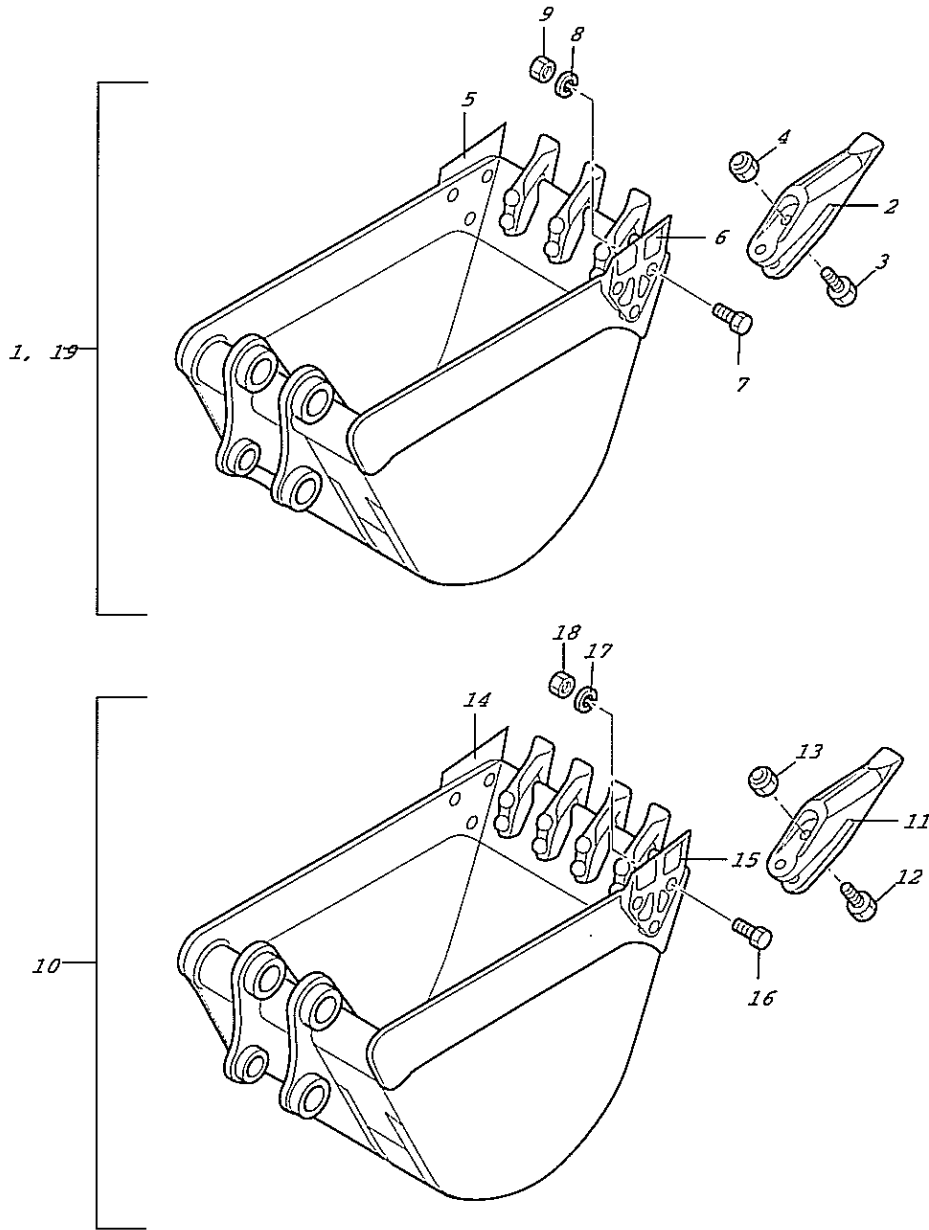
Key No.	Part No.	Interchange-ability	Part Name	Qty.	Applicable Ser. No.	Remarks
1	MENPS6-10000-E		LABEL ASS'Y	1		
2	MENPS6-00002-E		LABEL	1		SPEC
3	MENK27-61200-E		LABEL	1		NUMBER
4	45508		DECAL	1		WALKING BEAR
5	44197		DECAL	2		T25 S
6	MENPS6-00003		LABEL	1		OVERDRIVE
7	MENK27-61004		LABEL	1		LEVER OPERATION
8	MENK27-61004		LABEL	1		LVER LOCK
9	MENK27-61004		LABEL	1		GREASE POINT
10	MENK27-61007		LABEL	1		DOZER
11	MENK27-61008		LABEL	1		FUEL
12	MENK27-61009		LABEL	1		WATER
13	MENK27-61010		LABEL	1		HYD.OIL
14	MENK27-61011-E		LABEL	1		CAUTION
15	MENK27-61012		LABEL	1		SWING
16	MENK27-61014		LABEL	1		ACCELE
17	MENK27-61015-E		LABEL	1		COVER LOCK
18	43265		DECAL	4		THOMAS
19	MENBPL-95001-E		LABEL	1		PL
20	MENBPL-95002-E		LABEL	1		PL
21	MENBPL-95003-E		LABEL	1		PL
22	MENBPL-95005-E		LABEL	1		PL
23	MENBPL-95006-E		LABEL	1		PL
24	MENBPL-95007-E		LABEL	1		PL
25	MENBPL-95008-E		LABEL	2		PL
26	MENBPL-95009-E		LABEL	1		PL



Key No.	Part No.	Interchangeability	Part Name	Qty.	Applicable Ser. No.	Remarks
27	MENBPL-95010-E		LABEL	1		PL
28	MENK27-62001-E		LABEL	1		PL
29	MENBPL-95004-E		LABEL	1		PL
30	MENASE-61003		LABEL	3		HOOK
31	MENASE-61004		LABEL	2		PL
32			RIVET	4		d-3.2
33	43264		DECAL	2		THOMAS
34	44212		MANUAL	1		OWNER OPERATORS

OPTION

OPTION BUCKET

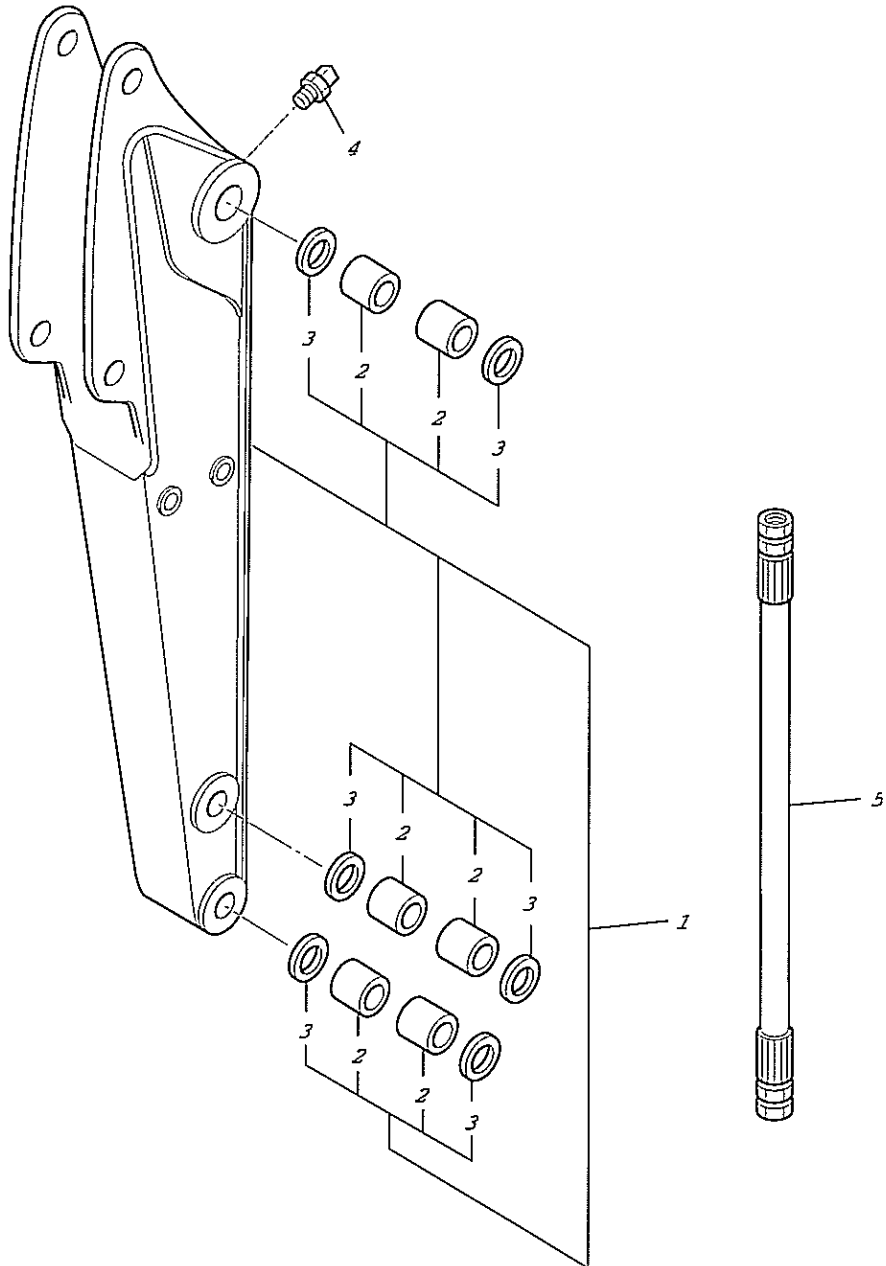


OPTION BUCKET

SER. No: NS252001

Key No.	Part No.	Interchange-ability	Part Name	Qty.	Applicable Ser. No.	Remarks
*1	MENPS3-52000		BUCKET ASS'Y	1		INC. 2-9 f300mm
2	ME952-62001		TOOTH	3		
3	ME04-103761		BOLT	6		
4	ME04-103771		NUT	6		
5	ME02-000141		CUTTER, SIDE(R)	1		
6	ME02-000151		CUTTER, SIDE(L)	1		
7	ME0104-12030-a		BOLT	6		
8	ME0381-12000-a		WASHER, SPRING	6		
9	ME0251-12000-a		NUT	6		
*10	MENPS3-54000		BUCKET ASS'Y	1		INC. 11-18 f550mm
11	ME952-62001		TOOTH	4		
12	ME04-103761		BOLT	8		
13	ME04-103771		NUT	8		
14	ME02-000141		CUTTER, SIDE(R)	1		
15	ME02-000151		CUTTER, SIDE(R)	1		
16	ME0104-12030-a		BOLT	6		
17	ME0381-12000-a		WASHER, SPRING	6		
18	ME0251-12000-a		NUT	6		
*19	MENPS3-53000		BUCKET ASS'Y	1		INC. 2-9 f350mm

LONG ARM

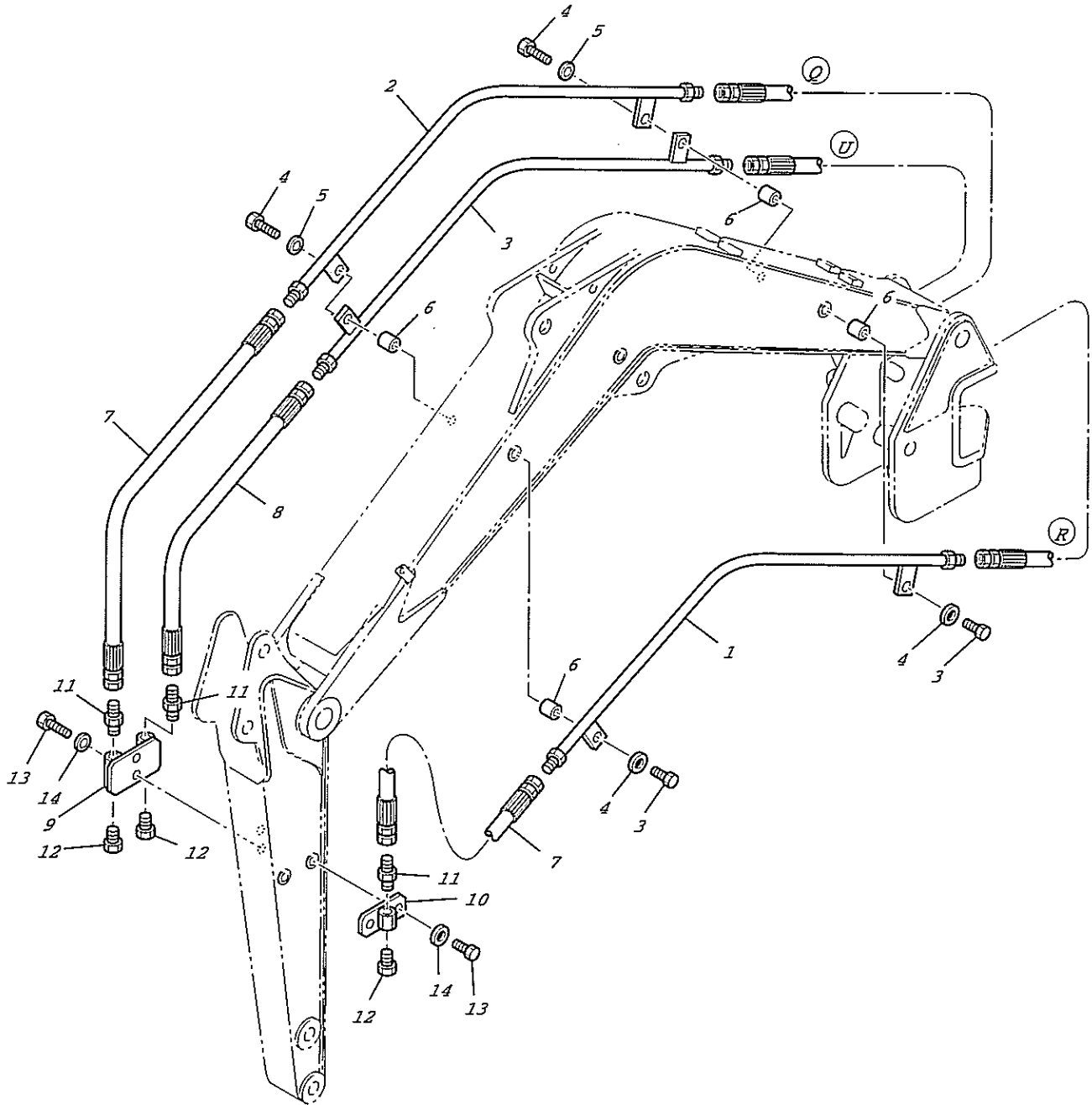


LONG ARM

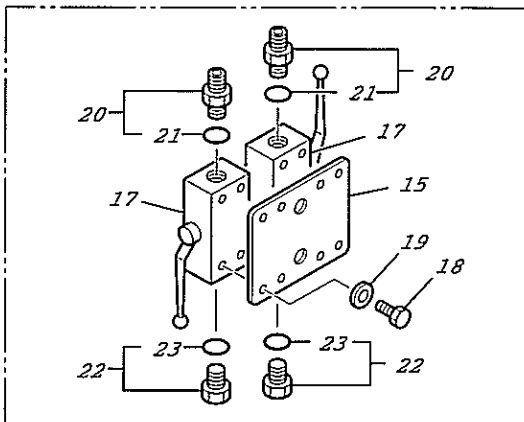
SER. No: NS252001

Key No.	Part No.	Interchangeability	Part Name	Qty.	Applicable Ser. No.	Remarks
*1	MENPS3-32000		LONG ARM ASS'Y	1		
2	ME8522-030022		BUSH	6		
3	ME0493-35045-h		SEAL, DUST	6		
4	ME0540-02000-F		NIPPLE, GREASE	1		
5	ME0788-06138-M		HOSE	2		

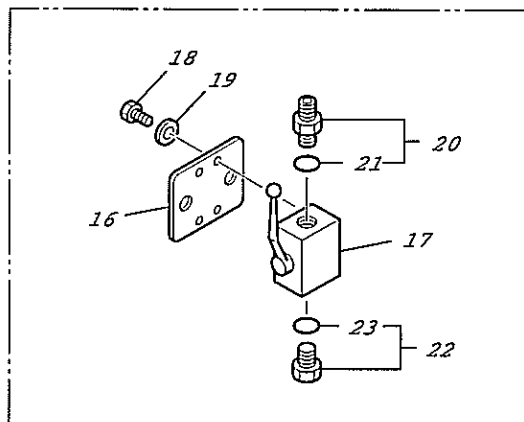
PTO PIPING



with Ball valve



with Ball valve



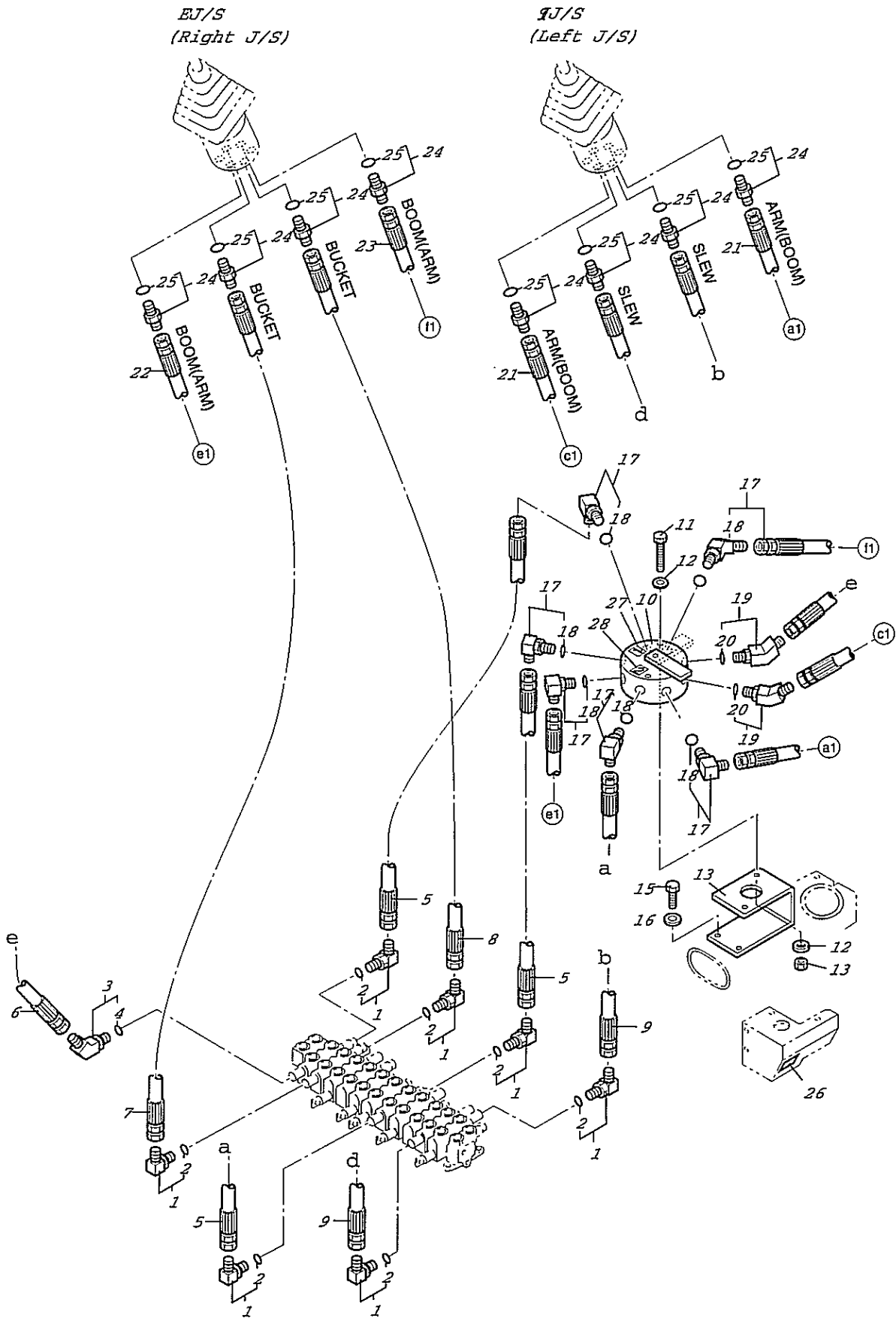
## PTO PIPING

SER. No: NS252001

Key No.	Part No.	Interchange-ability	Part Name	Qty.	Applicable Ser. No.	Remarks
1	MENPS9-51200		PIPE	1		
2	MENPS9-51500		PIPE	1		
3	MENPS9-51600		PIPE	1		
4	ME0102-08035-a		BOLT	6		
5	ME0389-08000-a		WASHER	6		
6	MENPS9-51001		COLLER	6		
7	ME0778-08085-M		HOSE	2		
8	ME0778-08080-M		HOSE	1		
9	MENPS9-51300		MANIFOLD(A)	1		
10	MENPS9-51400		MANIFOLD(B)	1		
11	ME0580-08008-X		NIPPLE. HOSE	3		
12	ME0546-08000-h		PLUG	3		
13	ME0102-08020-a		BOLT	4		
14	ME0389-08000-a		WASHER	4		
15	MENPS9-53001		PLATE(A)	1		
16	MENPS9-53002		PLATE(B)	1		
17	MENPS7-01100		VALVE, BALL	3		
18	ME0101-05015-a		BOLT	12		
19	ME0383-06000-a		WASHER	12		
20	ME0600-08008-X		NIPPLE, HOSE	3		
21	ME0490-00018-b		O RING	1		
22	ME0547-08000-0		PLUG	3		
23	ME0490-00018-b		O RING	1		
24	ME0493-35045-h		SEAL,DUST	2		



J/D PATTERN PIPING



## J/D PATTERN PIPING

SER. No: NS252001

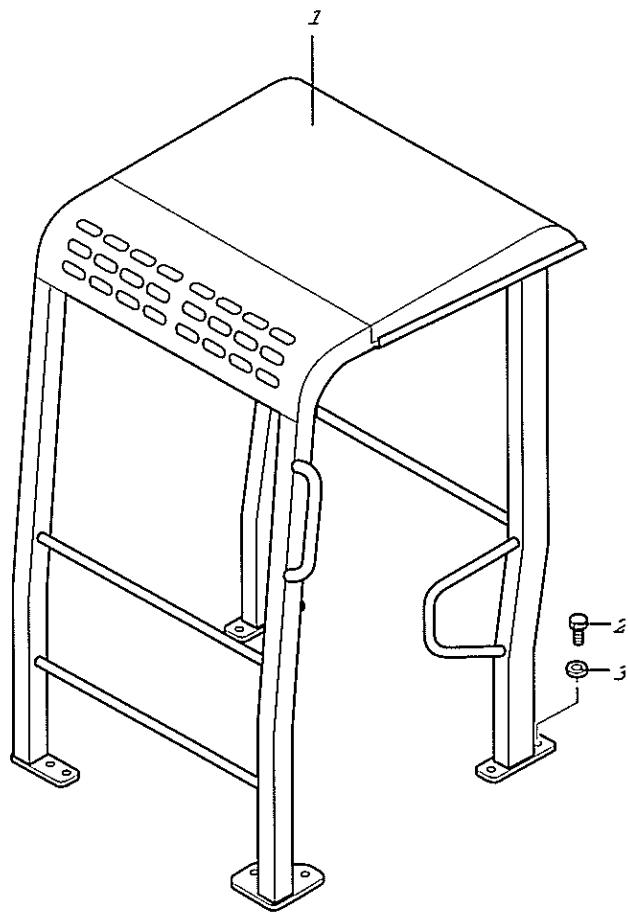
Key No.	Part No.	Interchange-ability	Part Name	Qty.	Applicable Ser. No.	Remarks
1	ME0602-04004-x		ELBOW, HOSE 90°	7		
2	ME0490-00011-b		O RING	1		
3	ME0601-04004-x		ELBOW, HOSE 45°	1		
4	ME0490-00011-b		O RING	1		
5	ME0781-04055-o		HOSE	3		
6	ME0781-04080-o		HOSE	1		
7	ME0781-04140-o		HOSE	1		
8	ME0781-04170-o		HOSE	1		
9	ME0781-04150-o		HOSE	2		
10	MENK27-72000		VALVE, SELECTOR	1		
11	ME0102-06055-a		BOLT	2		
12	ME0383-06000-a		WASHER	4		
13	ME0263-06000-a		NUT	2		
14	MENAS9-50001		BRACKET	1		
15	ME0211-10020-a		BOLT	2		
16	ME0389-10000-a		WASHER	2		
17	ME0602-04004-x		ELBOW, HOSE 90°	6		
18	ME0490-00011-b		O RING	1		
19	ME0601-04004-x		ELBOW, HOSE 45°	2		
20	ME0490-00011-b		O RING	1		
21	ME0781-04075-o		HOSE	2		
22	ME0781-04180-o		HOSE	1		
23	ME0781-04170-o		HOSE	1		
24	ME0600-04004-x		NIPPLE, HOSE	8		
25	ME0490-00011-b		O RING	1		
26	MENAS9-50002		LABEL	1		LEVER OPERATION

J/D PATTERN PIPING

SER. No: NS252001

Key No.	Part No.	Interchange-ability	Part Name	Qty.	Applicable Ser. No.	Remarks
27	MENAS9-50003		LABEL	1		1
28	MENAS9-50004		LABEL	1		2

TOPS ROOF

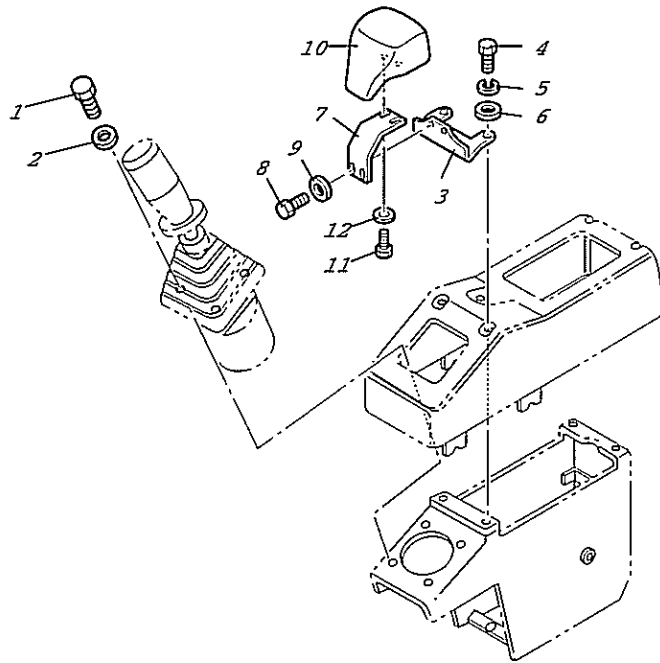


TOPS ROOF

SER. No: NS252001

Key No.	Part No.	Interchange-ability	Part Name	Qty.	Applicable Ser. No.	Remarks
1	MENPS9-10000-1		ROOF, TOPS	1		
2	ME0211-12040-a		BOLT	8		
3	ME0389-12000-a		WASHER	8		

ARM REST

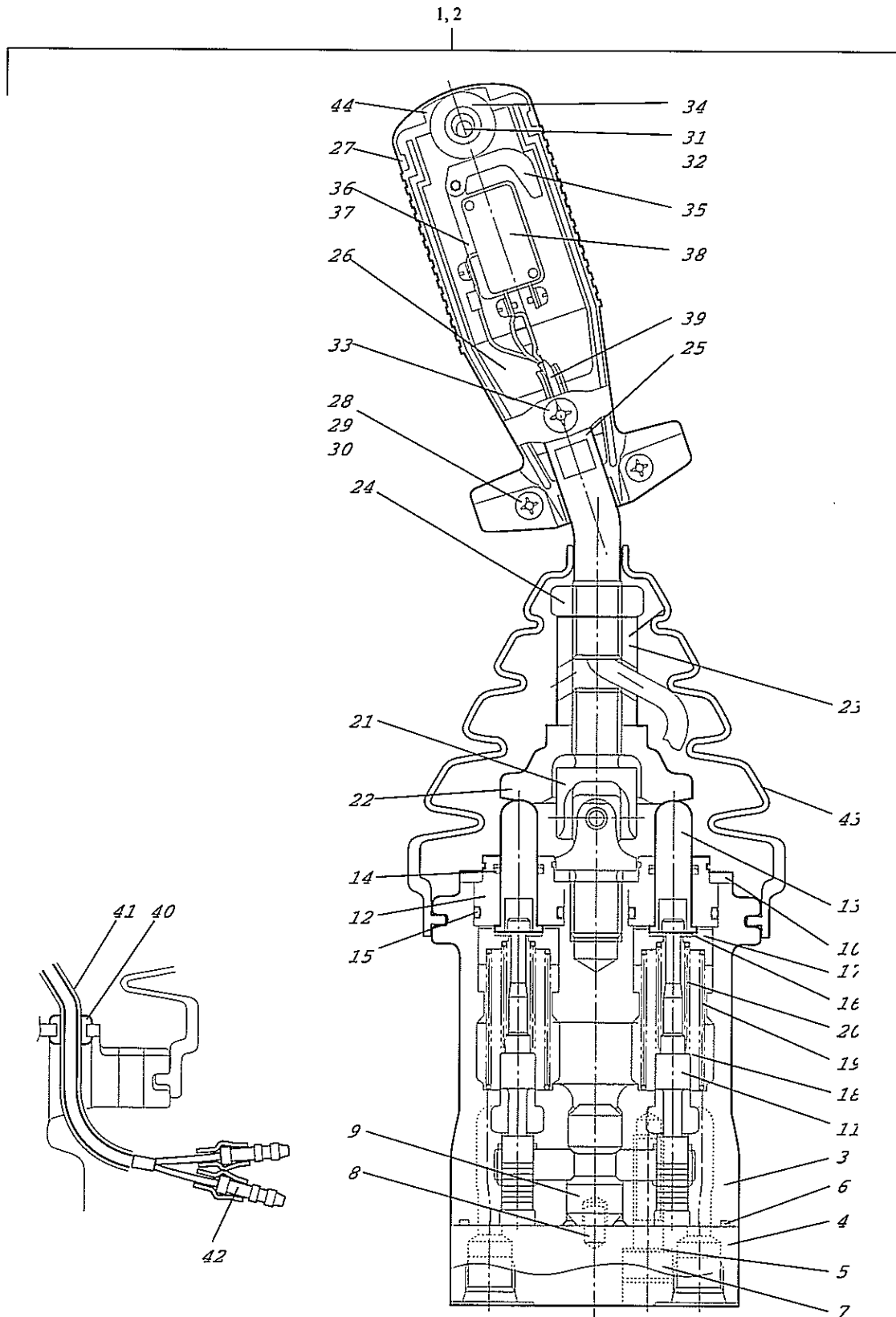


ARM REST

SER. No: NS252001

Key No.	Part No.	Interchangeability	Part Name	Qty.	Applicable Ser. No.	Remarks
1	ME0102-06025-a		BOLT	8		
2	ME0383-06000-a		WASHER	8		
3	MENOSE-40300-2		PLATE	2		
4	ME0330-05025-a		SCREW, PANHEAD	4		
5	ME0380-05000-a		WASHER, SPRING	4		
6	ME0383-05000-a		WASHER	4		
7	MENOSE-40001		PLATE	2		
8	ME0102-05010-a		BOLT	4		
9	ME0383-05000-a		WASHER	4		
10	MENOSE-40100		REST, ARM	2		
11	ME0102-05010-a		BOLT	4		
12	ME0383-05000-a		WASHER	4		

JOYSTICK VALVE(FOR ARM REST)





## JOYSTICK VALVE(FOR ARM REST)

SER. No: NS252001

Key No.	Part No.	Interchange-ability	Part Name	Qty.	Applicable Ser. No.	Remarks
*1	MENAS7-90200		JOYSTICK VALVE ASS'Y(R)	1		INC. 3-43 TH40M1019
*2	MENAS7-90300		JOYSTICK VALVE ASS'Y(L)	1		INC. 3-33, 44 TH40M1020
3	ME5DTM1X01-101		CASING	1		
4	ME5DTM1X03-111		PLATE, PORT	1		
5	ME5DTM1X01-121		WASHER, SEAL	2		
6	MEVZ50105770-03		O RING	1		
7	MEVZ50106900		SCREW, SOCKETHEAD	2		
8	MEOSPV510		PIN, SPRING	1		
9	ME5DTM1X00-131		BUSH	1		
10	ME5DTM1X00-151		PLATE	1		
11	ME5DT01X00-201		SPOOL	4		
12	ME5DT01X00-211		PLUG	4		
13	ME5DT01X04-212		ROD, PUSH	4		
14	ME5DT61X20-213		SEAL	4		
15	MEOORB20		O RING	4		
16	ME5DT01X00-215		WASHER	8		
17	ME5DT01X01-216		SEAT, SPRING	4		
18	ME5DT01X00-217		WASHER	4		
19	ME5DT01X16-221		SPRING	4		
20	ME5DT01X00-241		SPRING	4		
21	ME5DT61X01-301		JOINT	1		
22	ME5DT61X02-302		PLATE, CIRCULAR	1		
23	ME5DT61X20A-312		NUT, ADJUSTING	1		
24	ME5DT61X00-315		NUT, LOCK	1		
25	ME5DT61X00D323		BAR, HANDLE	1		
26	ME5DT61X00-401		HANDLE	2		

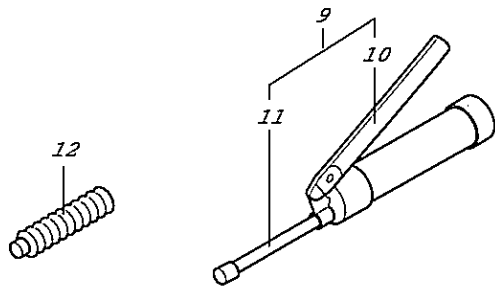
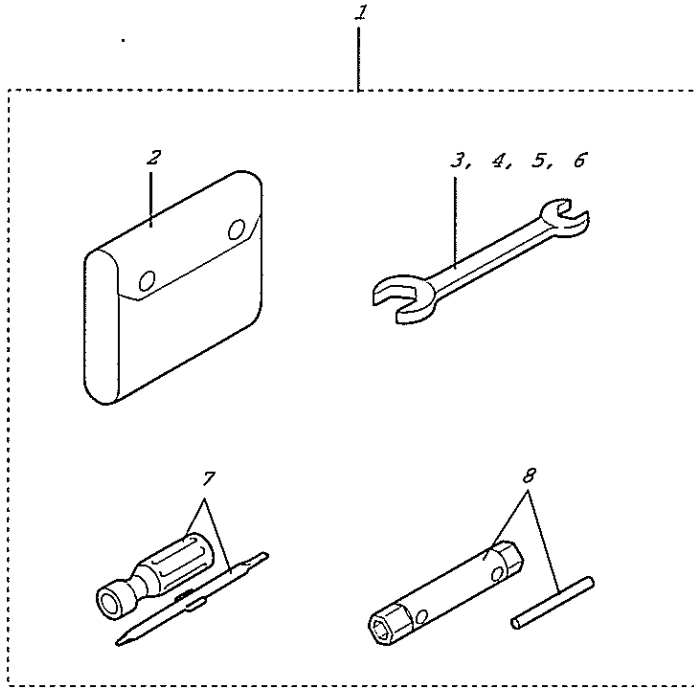
JOYSTICK VALVE(FOR ARM REST)

SER. No: NS252001

Key No.	Part No.	Interchangeability	Part Name	Qty.	Applicable Ser. No.	Remarks
27	ME5DT61X30-402		CAP, HANDLE	1		
28	MEOPSM410		SCREW	2		
29	MEORNM4C		NUT	2		
30	MEOWM4S		WASHER, PLAIN	2		
31	MEOPSM430		SCREW	1		
32	MEORNM4C		NUT	1		
33	MEOPSM58		SCREW	2		
34	ME5DT61X00-451		ROLLER	1		
35	ME5DT61X00-452		LEVER, SWITCH	1		
36	ME5DT61X00-453		SEAT, SWITCH	1		
37	ME5DT61X00-454		SEAT, SWITCH	1		
38	ME5DT61X00-455		SWITCH	1		
39	ME5DT61X00A-456		CORD	1		
40	ME5DT61X20-457		BUSH	1		
41	ME5DT61X20AD458		TUBE	1		
42	ME5DT6A102-459		TERMINAL	2		
43	ME5DTM1X00-501		BELLOWS	1		
44	ME5DT61X00-403		CAP	1		

**ACCESSORY PARTS**

TOOLS



TOOLS

SER. No: NS252001

Key No.	Part No.	Interchangeability	Part Name	Qty.	Applicable Ser. No.	Remarks
1	ME1460281		TOOL ASS'Y	1		
2	MEPA-2378		BAG, TOOL	1		
3	MEPA-0566		WRENCH	1		10A~13
4	MEPA-0565		WRENCH	1		16A~18
5	MEPA-0564		WRENCH	1		17A~19
6	MEPA-0563		WRENCH	1		19A~22
7	MEPA-2377		SCREWDRIVER	1		
8	MEPA-2376		BOX WRENCH	1		17A~19
9	ME1460343		GREASE GUN ASS'Y	1		
10			GREASE GUN	1		
11	ME1460344		NOZZLE	1		
12	ME1460345		CARTRIDGE, GREASE	1		

## INDEX

PART-NO.	KEY-NO.	GROUP-NO.	PART-NO.	KEY-NO.	GROUP-NO.
<b>1240</b>			0102-08020-a	24, 31	B23
1204650	36	C12	0102-08020-a	22	B25
1204674	37	C12	0102-08020-a	26	B30
1204675	38	C12	0102-08020-a	32	C12
1204676	35	C12	0102-08020-a	12, 32	D22
1204677	40	C12	0102-08020-a	23	E10
<b>1460</b>			0102-08020-a	13	J21
1460281	1	K10	0102-08025-a	27	B22
1460343	9	K10	0102-08025-a	8	B23
1460344	11	K10	0102-08025-a	3	B24
1460345	12	K10	0102-08025-a	33	B25
<b>7134</b>			0102-08025-a	19, 22, 43	B40
71340093	8	B40	0102-08025-a	30	G10
<b>7913</b>			0102-08030	32	E10
7913111900	10	D22	0102-08035-a	4	J21
<b>8522</b>			0102-08065-a	7	D23
8522010011	66	C12	0102-08065-a	8	D24
<b>8941</b>			<b>0103-</b>		
8941329471	22	D24	0103-16035-a	13	A11
<b>8970</b>			<b>0104-</b>		
8970763960	16	D23	0104-12030-a	7, 16	J11
<b>0101-</b>			<b>0108-</b>		
0101-05015-a	18	J21	0108-14085-a	8	B10
0101-06010-a	4	D24	<b>01200-</b>		
0101-06015-a	15	B15	01200-00550-1	1	B61
0101-06015-a	15, 34, 37, 40	B40	<b>0121-</b>		
0101-06015-a	29	D22	0121-10015 a	58	B61
0101-06020-a	24, 37	D21	0121-06012-a	38, 90	B61
<b>0102-</b>			0121-08020-a	86	B61
0102-05010-a	38	G10	0121-10025-a	34	B24
0102-05010-a	8, 11	J41	0121-12000-a	3	B62
0102-06010-a	41	G10	0121-12080-a	11	B62
0102-06015-a	27	G10	<b>0160-</b>		
0102-06020-a	28	G10	0160-05012-a	7	F12
0102-06025-a	10	B21	0160-05018-a	16, 26	F12
0102-06025-a	32	B22	0160-10020-c	6	F40
0102-06025-a	1	J41	0160-10030-e	7	D21
0102-06040-a	10	B22	0160-16070-a	7	B62
0102-06055-a	11	J22	<b>02-</b>		
0102-08010-a	33	B30	02-000141	12	A12
0102-08012-a	27	B30	02-000141	5, 14	J11
0102-08015-a	8	B21	02-000151	13	A12
0102-08015-a	30	B22	02-000151	6, 15	J11
0102-08015-a	48	B23	<b>0205-</b>		
0102-08015-a	20, 36	B30	0205-02500-a	9	E24
0102-08015-a	12	B40	0205-03200-a	13	D23
0102-08015-a	16, 36	D22	<b>0211-</b>		
0102-08015-a	44, 53	G10	0211-08020	5	B21
0102-08020-a	5, 21, 39	B10	0211-08025-a	8	F40
0102-08020-a	2, 5, 18, 21, 25, 32	B15	0211-10016-a	9	C11
0102-08020-a	2	B21	0211-10020-a	9, 36	B15
0102-08020-a	2, 14, 24	B22	0211-10020-a	5	B22

## INDEX

PART-NO.	KEY-NO.	GROUP-NO.	PART-NO.	KEY-NO.	GROUP-NO.
0211-10020-a	6, 8	B25	0251-08000-a	25	B23
0211-10020-a	8, 11, 14	B50	0251-08000-a	8	D23
0211-10020-a	13, 28	C11	0251-08000-a	33	E10
0211-10020-a	3, 22	D21	0251-08000-a	32	G10
0211-10020-a	11	D23	0251-10000-a	12, 22, 42, 46	B23
0211-10020-a	38	E10	0251-10000-a	7, 20, 26, 27	B24
0211-10020-a	57, 71	G10	0251-10000-a	13, 15, 27, 29	B25
0211-10020-a	3	G12	0251-10000-b	44	B23
0211-10020-a	15	J22	0251-10000-b	24	B24
0211-10025-a	2, 5	B23	0251-10000-b	11, 25	B25
0211-10025-a	18	B25	0251-10000-f	9	D21
0211-10025-a	2, 13	B30	0251-12000-a	9, 18	J11
0211-10025-a	67	C12	0251-14000-a	14	B21
0211-10025-a	11	D21	0251-14000-a	35	B22
0211-10025-a	20	D22	0251-14000-f	19	B23
0211-10025-a	11, 23	D24	<b>0257-</b>		
0211-10025-a	29	E10	0257-08000-a	74	G10
0211-10025-a	68	G10	0257-14000-f	15	B21
0211-10030-a	23	A12	0257-14000-f	37	B22
0211-10030-a	17	B50	0257-14000-f	3	B25
0211-10030-a	15	D21	<b>0263-</b>		
0211-10030-a	4, 12	E21	0263-06000-a	13	J22
0211-10055-a	38	B23	0263-08000-a	34	B61
0211-10055-a	21	B50	0263-08000-a	22	F11
0211-10065-a	43	C12	0263-10000-f	22	B22
0211-10080-a	36, 40, 45	A12	0263-12000-a	24	B61
0211-10110-a	44	A12	<b>0270-</b>		
0211-12020-a	7	A11	0270-10000-a	26	B50
0211-12020-a	50	G10	<b>0275-</b>		
0211-12025-a	22	A11	0275-20000-a	55	C12
0211-12025-a	33	A12	<b>0294-</b>		
0211-12025-a	5	B50	0294-30000-a	47	A12
0211-12025-a	20	C11	<b>0311-</b>		
0211-12030-a	2	B50	0311-10000-a	18	B50
0211-12030-a	22	C11	0311-10000-a	44	C12
0211-12030-a	26, 29	C12	0311-10000-a	10	E24
0211-12030-a	40	D21	0311-10000-e	37, 41, 46	A12
0211-12035-a	2, 29	B40	0311-10000-e	40	B23
0211-12040-a	2	J30	0311-10000-e	15	D23
0211-12065-a	6	C11	0311-12000-a	15	A12
<b>0212-</b>			0311-12000-a	20, 29	D21
0212-12030-a	14	A12	<b>0330-</b>		
0212-12030-a	25	C11	0330-04006-a	47	B61
0212-12035-a	36	B10	0330-04010-a	44	B22
0212-12065-c	4	C11	0330-04010-a	26	B61
<b>0238-</b>			0330-04010-a	10	G10
0238-24000-a	14	C12	0330-04025-a	61	G10
<b>0250-</b>			0330-05010-a	19, 74	B61
0250-06000-a	25	D21	0330-05025-a	20	B21
<b>0251-</b>			0330-05025-a	48	B22
0251-06000-a	11	B22	0330-05025-a	4	J41
0251-08000-a	12	B15	0330-06016-a	85	B61

## INDEX

PART-NO.	KEY-NO.	GROUP-NO.	PART-NO.	KEY-NO.	GROUP-NO.
<b>0331-</b>			0383-30000-a	48	A12
0331-06015-a	11	B30	<b>0387-</b>		
<b>0344-</b>			0387-08000-a	23, 34	B25
0344-10025-C	13, 23	B23	0387-08000-a	37	B30
0344-10025-c	8, 21	B24	0387-08000-a	13, 20, 23	B40
<b>0353-</b>			0387-10000-a	44	B15
0353-40210-a	23	B21	0387-10000-a	39	B23
0353-40210-a	53	B22	0387-10000-a	9	B25
0353-40212-a	25	B21	0387-10000-a	23	B50
0353-40212-a	54	B22	0387-10000-a	29	C11
<b>0380-</b>			0387-10000-a	21	D22
0380-04000-a	45	B22	0387-10000-a	14	D23
0380-04000-a	27	B61	0387-12000-a	5	B62
0380-04000-a	11	G10	0387-12000-a	19, 28	D21
0380-05000-a	21	B21	<b>0388-</b>		
0380-05000-a	49	B22	0388-10000-c	5	D21
0380-05000-a	69	B61	<b>0389-</b>		
0380-05000-a	5	J41	0389-08000	6	B21
0380-06000-a	39, 91	B61	0389-08000-a	6, 22, 40	B10
0380-06000-a	39	G10	0389-08000-a	3, 6, 13, 19, 22, 26, 33	B15
0380-08000-a	4	B24	0389-08000-a	3, 9	B21
0380-08000-a	35, 88	B61	0389-08000-a	3, 15, 25, 28, 31	B22
0380-12000-a	4	B62	0389-08000-a	9, 32, 49	B23
<b>0381-</b>			0389-08000-a	5	B24
0381-12000-a	16	A12	0389-08000-a	21, 28, 34	B30
0381-12000-a	8, 17	J11	0389-08000-a	9, 44	B40
0381-20000-a	57	C12	0389-08000-a	33	C12
<b>0383-</b>			0389-08000-a	13, 17, 33, 37	D22
0383-10000 a	59	B61	0389-08000-a	9	D23
0383-04000-a	46	B22	0389-08000-a	9	D24
0383-04000-a	12, 62	G10	0389-08000-a	24, 34	E10
0383-05000-a	22	B21	0389-08000-a	9	F40
0383-05000-a	50	B22	0389-08000-a	31, 45, 54, 75	G10
0383-05000-a	28	B23	0389-08000-a	5, 14	J21
0383-05000-a	32	B24	0389-10000-a	24	A12
0383-05000-a	37	B25	0389-10000-a	10, 37	B15
0383-05000-a	6, 9, 12	J41	0389-10000-a	6, 19	B22
0383-06000-a	16	B15	0389-10000-a	3, 6, 45	B23
0383-06000-a	11	B21	0389-10000-a	28, 35	B24
0383-06000-a	33	B22	0389-10000-a	7, 16, 19, 28	B25
0383-06000-a	16, 35, 38, 41, 82, 92	B40	0389-10000-a	3, 14	B30
0383-06000-a	38	D21	0389-10000-a	9, 12, 15, 19, 22	B50
0383-06000-a	30	D22	0389-10000-a	10, 14	C11
0383-06000-a	5	D24	0389-10000-a	45, 68	C12
0383-06000-a	29, 42	G10	0389-10000-a	4, 12, 16, 23	D21
0383-06000-a	19	J21	0389-10000-a	12	D23
0383-06000-a	12	J22	0389-10000-a	12, 24	D24
0383-06000-a	2	J41	0389-10000-a	30, 39	E10
0383-08000-a	87	B61	0389-10000-a	5, 13	E21
0383-10000-a	41	B15	0389-10000-a	11	E24
0383-16000-a	8	B62	0389-10000-a	58, 69, 72	G10
0383-20000-a	56	C12	0389-10000-a	4	G12



## INDEX

PART-NO.	KEY-NO.	GROUP-NO.	PART-NO.	KEY-NO.	GROUP-NO.
0389-10000-a	16	J22	0480-20025-0	34, 36	B23
0389-12000-a	8, 23	A11	<b>0490-</b>		
0389-12000-a	34	A12	0490-00011-b	19	E21
0389-12000-a	37	B10	0490-00011-b	19, 32, 34	E23
0389-12000-a	3, 30	B40	0490-00011-b	2, 5, 15, 17, 21, 27	E24
0389-12000-a	3, 6	B50	0490-00011-b	2, 4, 10	E25
0389-12000-a	7, 21, 23, 26	C11	0490-00011-b	2, 6, 14	E30
0389-12000-a	27, 30	C12	0490-00011-b	2, 4, 18, 20, 25	J22
0389-12000-a	41	D21	0490-00014-b	4, 6, 8, 10, 12	E10
0389-12000-a	51	G10	0490-00014-b	27	E21
0389-12000-a	3	J30	0490-00014-b	2, 4, 8, 10, 12, 14, 16	
<b>0390-</b>				21, 23, 26, 28	E23
0390-12000-c	27	D21	0490-00014-b	24	E24
<b>04-</b>			0490-00014-b	21	E25
04-103761	18	A12	0490-00014-b	4	E30
04-103761	3, 12	J11	0490-00018-b	2	E10
04-103771	19	A12	0490-00018-b	15, 17, 23, 25	E21
04-103771	4, 13	J11	0490-00018-b	2	E22
<b>0420-</b>			0490-00018-b	12	E30
0420-01015-o	33	B24	0490-00018-b	21, 23	J21
0420-01015-o	38	B25	0490-00024-b	5	E22
0420-01015-a	29	B23	0490-00029-a	16	B30
0420-02016-o	42, 45	B15	0490-00038-a	10	E21
0420-02020-o	20	B22	0490-00070-b	14	F40
0420-05045-o	15	C12	<b>0491-</b>		
0420-25020-o	10	B40	0491-00040-b	4	C12
<b>0425-</b>			0491-00100-a	12	F40
0425-10060-o	24	C12	0491-00125-a	19	B30
<b>0445-</b>			<b>0493-</b>		
0445-03000-o	41	C12	0493-35045-h	3	A12
0445-03500-a	54	C12	0493-35045-h	3	J12
<b>0446-</b>			0493-35045-h	24	J21
0446-05200-o	8	C12	0493-40050-h	4	A11
0446-06200-o	42	C12	0493-80094-d	15	F40
0446-0700-a	53	C12	<b>0494-</b>		
0446-07200-o	23	C12	0494-07040-b	5	C12
<b>0450-</b>			<b>0495-</b>		
0450-10B15-a	41	B23	0495-35072-a	22, 52	C12
0450-10B15-a	25	B24	<b>0512-</b>		
0450-10B15-a	14	B25	0512-00709-A2	2	G10
0450-10B15-b	43	B23	<b>0514-</b>		
0450-10B15-b	23	B24	0514-03742-A1	7	G10
0450-10B15-b	12, 26	B25	<b>0531-</b>		
<b>0460-</b>			0531-00822	42	B22
0460-62035-o	51	C12	<b>0540-</b>		
<b>0480-</b>			0540-02000-F	5	A11
0480-15020-0	21	B25	0540-02000-F	4, 39, 43	A12
0480-15025-0	32	B25	0540-02000-F	3, 14	B10
0480-20020-0	15, 17	B23	0540-02000-F	11	C12
0480-20020-0	10, 12, 14, 16, 18	B24	0540-02000-F	29	F20
0480-20020-0	2	B25	0540-02000-F	29	F22
0480-20025-0	8	B22	0540-02000-F	24	F24

## INDEX

PART-NO.	KEY-NO.	GROUP-NO.	PART-NO.	KEY-NO.	GROUP-NO.
0540-02000-F	24	F26	0600-06006-x	23	E24
0540-02000-F	23	F28	0600-06008-x	7	E10
0540-02000-F	4	J12	0600-08006-x	11	E30
<b>0541-</b>			0600-08008-X	20	J21
0541-02000-F	24	F28	0600-08008-x	22	E21
<b>0542-</b>			<b>0601-</b>		
0542-02000-F	10	A12	0601-04004-x	4	E24
0542-02000-F	18	C11	0601-04004-x	3	E25
0542-02000-F	30	F20	0601-04004-x	3, 19	J22
0542-02000-F	30	F22	0601-06006-x	11, 22, 31	E23
0542-02000-F	25	F24	<b>0602-</b>		
<b>0545-</b>			0602-04004-x	1, 26	E24
0545-02000-h	16	A11	0602-04004-x	1	E25
0545-04000-h	4	F40	0602-04004-x	1	E30
0545-12000-h	4	B30	0602-04004-x	1, 17	J22
<b>0546-</b>			0602-06006-x	7, 9	E23
0546-08000-h	22	E10	0602-06006-x	20	E25
0546-08000-h	12	J21	0602-06006-x	3	E30
<b>0547-</b>			0602-08008-x	1	E10
0547-04000-h	18	E21	0602-12008-x	4	E22
0547-08000-0	22	J21	<b>0730-</b>		
<b>0550-</b>			0730-02004-o	16	B10
0550-00361	43	B22	<b>0731-</b>		
0550-00362	47	B22	0731-02004-o	15	B10
<b>0551-</b>			<b>0750-</b>		
0551-07757-PX	8	G10	0750-35050-o	1, 8	E21
<b>0554-</b>			0750-40055-a	23	D22
0554-00001	6	G10	<b>0751-</b>		
0554-00030	5	G10	0751-06245-o	18	D24
<b>0560-</b>			0751-38022-o	2	E21
0560-06004-h	11	E25	0751-38040-o	6	E21
<b>0563-</b>			<b>0753-</b>		
0563-20012-L	10	E22	0753-08026-o	14-1	D24
<b>0569-</b>			0753-08035-o	14	D24
0569-06006-h	13	G12	0753-08040-o	13	D24
<b>0580-</b>			0753-08070-o	16	D24
0580-04004-x	17	E25	0753-08200-o	15-1	D24
0580-04006-x	18	E25	0753-08210-o	15	D24
0580-08008-X	11	J21	<b>0754-</b>		
0580-08008-x	21	E10	0754-04035-o	17	B10
0580-08008-x	7	E22	0754-04095-o	18	B10
<b>0582-</b>			0754-04130-o	19	B10
0582-04004-x	7	E24	<b>0757-</b>		
<b>0600-</b>			0757-04002-o	19	D24
0600-04004-x	18, 33	E23	0757-10017-o	8	B30
0600-04004-x	14	E24	<b>0759-</b>		
0600-04004-x	9	E25	0759-02400-b	14	G12
0600-04004-x	13	E30	0759-04200-b	24	D22
0600-04004-x	24	J22	0759-04500-b	26	D22
0600-06004-x	13, 25	E23	0759-05600-b	2	D23
0600-06006-x	3	E10	0759-06200-b	4	D23
0600-06006-x	1, 20	E23	<b>0760-</b>		

## INDEX

PART-NO.	KEY-NO.	GROUP-NO.	PART-NO.	KEY-NO.	GROUP-NO.
0760-11500-o	9	B30	<b>11-</b>		
0760-11500-o	20	D24	11-3208700-2	48	G10
0760-12500-o	17	D24	<b>11200-</b>		
<b>0778-</b>			11200-05210	1	B62
0778-04070-M	15	E30	<b>11210-</b>		
0778-04090-M	16	E30	11210-00760	6	B62
0778-06095-o	7	E30	11210-00770	10	B62
0778-08080-M	8	J21	<b>11620-</b>		
0778-08085-M	7	J21	11620-01810	15	G10
<b>0781-</b>			<b>12-</b>		
0781-04055-o	5	J22	12-032021	28	E10
0781-04075-o	21	J22	<b>12002-</b>		
0781-04080-o	6	J22	12002-01570	16	G10
0781-04110-o	8	E25	12002-02900	38	B30
0781-04140-o	7	J22	12002-03860-1	12	B21
0781-04140-o	13	E24	12002-03860-1	34	B22
0781-04140-o	5	E25	<b>121-</b>		
0781-04150-o	9	J22	121-3667	63	G10
0781-04150-o	6	E25	<b>140-</b>		
0781-04170-o	8, 23	J22	140-3354	24	B50
0781-04170-o	7	E25	140-3355	25	B50
0781-04180-o	22	J22	<b>144-</b>		
<b>0788-</b>			144-2317	54	B23
0788-06119-M	36	E10	<b>145-</b>		
0788-06138-M	5	J12	145-9704	17	D21
<b>0790-</b>			145-9730	56	G10
0790-04070-o	14	E25	<b>17P-</b>		
0790-06120-o	19	E25	17P-B-22500	7	C12
0790-08240-o	6	E22	17P-B-22510	13	C12
<b>0791-</b>			17P-B-22520	3	C12
0791-04095-o	8	E30	17P-B-22530	9	C12
0791-04110-o	3	E24	17P-B-68290	12	C12
0791-04120-o	6	E24	17P-B-68300	6	C12
0791-04130-o	22	E24	17P-B-68310	10	C12
0791-04140-o	10	E30	<b>1B38</b>		
<b>0800-</b>			1B3867	39	C12
0800-60005-o	23	B10	<b>286</b>		
0800-60005-o	28	B15	286 GRM 11266	22	B61
0800-60005-s	24	B10	286 NOZ 11540	65	B61
0800-60005-s	27	B15	286 PLA 11337	72	B61
<b>0805-</b>			286 STP 11267	23	B61
0805-78365-B	76	G10	286 SPA-11269	8	B61
<b>0807-</b>			286 WAS 11282	50	B61
0807-00210-o	29	B15	<b>30554-</b>		
0807-00260-o	26	B10	30554-61024	15	B30
0807-00370-o	25	B10	30554-62020	14	E21
0807-00450-o	30	B15	30554-62022	16	E21
<b>0909-</b>			<b>30640-</b>		
0909-00000	24	B30	30640-60005	2	B24
<b>10-</b>			30640-60006	7	B23
10-030010	49	G10	<b>30736-</b>		
			30736-00016	9	B62

## INDEX

PART-NO.	KEY-NO.	GROUP-NO.	PART-NO.	KEY-NO.	GROUP-NO.
<b>30809-</b>			<b>5DT01X01-</b>		
30809-00438	25	A12	5DT01X01-121	21	F61
<b>40301-</b>			5DT01X01-216	12	F61
40301-01990	40	G10	5DT01X01-216	17	J42
<b>40501-</b>			<b>5DT01X04-</b>		
40501-01420	12	G12	5DT01X04-212	9	F61
<b>40701-</b>			5DT01X04-212	13	J42
40701-00360	18	B30	<b>5DT01X05-</b>		
<b>40901-</b>			5DT01X05-212	8	F61
40901-01860	1	G12	<b>5DT01X13-</b>		
40901-03940	16	G12	5DT01X13-241	15	F61
40901-04010	23	G10	<b>5DT01X16-</b>		
40901-04160	19	G10	5DT01X16-221	19	J42
40901-04170	2	G12	<b>5DT01X40-</b>		
40901-04190	15	G12	5DT01X40-221	14	F61
40901-04830	9	G10	<b>5DT61X00-</b>		
<b>40907-</b>			5DT61X00-315	24	J42
40907-00002	70	G10	5DT61X00-401	26	J42
<b>40908-</b>			5DT61X00-403	44	J42
40908-00011	13	G10	5DT61X00-451	34	J42
<b>41301-</b>			5DT61X00-452	35	J42
41301-01240	22	B30	5DT61X00-453	36	J42
41301-01430	7	B30	5DT61X00-454	37	J42
41301-01590	38	B22	5DT61X00-455	38	J42
41301-01600	16	B21	5DT61X00D323	25	J42
41301-01610	20	B23	<b>5DT61X00A-</b>		
41301-01620	14	B40	5DT61X00A-456	39	J42
41301-01630	29	B30	<b>5DT61X01-</b>		
41301-01630	17	B40	5DT61X01-301	17	F61
41301-01740	24	B21	5DT61X01-301	21	J42
41301-01740	41	B22	<b>5DT61X02-</b>		
<b>41307-</b>			5DT61X02-302	18	F61
41307-00007	14	G10	5DT61X02-302	22	J42
<b>4B79</b>			<b>5DT61X20-</b>		
4B791	22	D22	5DT61X20-213	23	F61
4B792	25	D22	5DT61X20-213	14	J42
<b>562-</b>			5DT61X20-457	20	F61
562-00900	5	B30	5DT61X20-457	40	J42
<b>582520-</b>			<b>5DT61X20A-</b>		
582520-0290	22	G10	5DT61X20A-312	19	F61
<b>5DT01X00-</b>			5DT61X20AD458	41	J42
5DT01X00-201	11	J42	5DT61X2DA-312	23	J42
5DT01X00-211	12	J42	<b>5DT61X30-</b>		
5DT01X00-211	7		5DT61X30-402	27	J42
5DT01X00-215	10	F61	<b>5DT6A102-</b>		
5DT01X00-215	16	J42	5DT6A102-459	42	J42
5DT01X00-216	11	F61	<b>5DTM1X00-</b>		
5DT01X00-217	13	F61	5DTM1X00-131	5	F61
5DT01X00-217	18	J42	5DTM1X00-131	9	J42
5DT01X00-241	16	F61	5DTM1X00-151	6	F61
5DT01X00-241	20	J42	5DTM1X00-151	10	J42
			5DTM1X00-501	43	J42

## INDEX

PART-NO.	KEY-NO.	GROUP-NO.	PART-NO.	KEY-NO.	GROUP-NO.
<b>5DTM1X01-</b>			<b>894415-</b>		
5DTM1X01-101	3	J42	894415-0771	21	D24
5DTM1X01-121	5	J42	<b>894473-</b>		
<b>5DTM1X03-</b>			894473-5630	6	D23
5DTM1X03-111	2	F61	<b>897040-</b>		
5DTM1X03-111	4	J42	897040-5010	18	G10
<b>7122-</b>			<b>897041-</b>		
7122-4123-50	33	G10	897041-0220	28	D22
7122-6026-60	34	G10	<b>897068-</b>		
<b>7362</b>			897068-7780	20	G10
7362K13300	4	D22	<b>897086-</b>		
<b>822-</b>			897086-2450	6	D24
822-00080	18	B23	<b>902-</b>		
<b>8522-</b>			902-00450	47	G10
8522-012002	19	C12	<b>904-</b>		
8522-012010	20	C12	904-00002-2	65	G10
8522-015000-3	64	C12	<b>905-</b>		
8522-015001	65	C12	905-00140	2	D21
8522-015002-3	49	C12	<b>922518-</b>		
8522-015003-2	50	C12	922518-0510	3	D24
8522-030021	3	A11	<b>933-</b>		
8522-030022	2, 8	A12	933-59007	52	G10
8522-030022	2	J12	<b>942-</b>		
8522-060006	35	A12	942-00004	10	D21
8522-060007	38	A12	942-00004	64	G10
<b>855-</b>			<b>952-</b>		
855-00005	2	B62	952-62001	17	A12
<b>870-</b>			952-62001	2, 11	J11
870-00007	30	D21	<b>AF-</b>		
870-00008	43	B15	AF-10A	25	G10
870-00008	16	B22	AF-15A	26	G10
<b>8822-</b>			AF-3A	24	G10
8822-010002	27	C11	<b>B1023</b>		
8822-010012	35	B10	B10234A3	61	C12
8822-013100-1	16	C12	<b>BL207X-</b>		
8822-017003	7	F40	BL207X-IC3	21	C12
8822-017004	5	F40	<b>D11-</b>		
8822-030041	20	A12	D11-STR-11459	48	B61
8822-030042	21	A12	<b>D21-</b>		
8822-030043	22	A12	D21-LOC 11890	77	B61
8822-035010	9	A12	D21-SPR 11891	80	B61
8822-060008	42	A12	<b>D31-</b>		
<b>894241-</b>			D31-PIN 10737	81	B61
894241-1791	1	D24	<b>FZS-</b>		
<b>894248-</b>			FZS-2232-13-2	3	F45
894248-1610	21	G10	<b>G03</b>		
<b>894250-</b>			G03 A00 12401	93	B61
894250-1761	2	D24	G03 A00 12402	94	B61
<b>894360-</b>			G03 BAR 60324	73	B61
894360-2540	7	D24	G03 COV 60302	37	B61
<b>894370-</b>			G03 FIN 60306	53	B61
894370-4500	27	D22	G03 GLA 12352	2	B61

**INDEX**

<b>PART-NO.</b>	<b>KEY-NO.</b>	<b>GROUP-NO.</b>	<b>PART-NO.</b>	<b>KEY-NO.</b>	<b>GROUP-NO.</b>
G03 GLA 12353	4	B61	<b>HBA3-</b>		
G03 GLA 12354	10	B61	HBA3-41000	5	A12
G03 GLA 12355	12	B61	HBA3-42000	6	A12
G03 GLA 12373	101	B61	HBA3-43000	7	A12
G03 GLA 12381	100	B61	<b>HCA1-</b>		
G03 HAN 12368	95	B61	HCA1-30100	11	F40
G03 HAN 12371	57	B61	HCA1-41000	62	C12
G03 HAR 12385	61	B61	HCA1-41001	63	C12
G03 HAR 12386	62	B61	HCA1-42000	17	C12
G03 INS 12358	40	B61	HCA1-42001	18	C12
G03 INS 12359	41	B61	HCA1-61000-2	47	C12
G03 INS 12360	42	B61	HCA1-61001	48	C12
G03 INS 12363	45	B61	<b>HCA2-</b>		
G03 LAT 12391	18	B61	HCA2-00001-1	66	G10
G03 LAT 12392	17	B61	HCA2-00002-1	67	G10
G03 LEV 60327	78	B61	HCA2-00003-1	5	C11
G03 LEV 60328	84	B61	HCA2-23001-1	25	B30
G03 PLA 12356	20	B61	HCA2-23002	30	B30
G03 PLA 60301	32	B61	HCA2-30003	35	D22
G03 PLA 60303	46	B61	HCA2-70100	11	B40
G03 PLA G0323	67	B61	<b>HCA3-</b>		
G03 RIN 12389	75	B61	HCA3-60001	11	A11
G03 RIV 12370	54	B61	HCA3-60004	12	A11
G03 RUB 12361	43	B61	<b>HCA5-</b>		
G03 RUB 12362	44	B61	HCA5-00001	9	E21
G03 RUB 12364	70	B61	HCA5-00008	7	E21
G03 SEA 12357	33	B61	HCA5-00200	25	E10
G03 SEA 12367	98	B61	<b>MBC1-</b>		
G03 SHM 60307	55	B61	MBC1-70001	31	C12
G03 SHS 12390	6	B61	<b>MBC3-</b>		
G03 SPA 60329	89	B61	MBC3-00001-1	21	A11
G03 STP 12365	96	B61	MBC3-00001-1	32	A12
G03 STP 12366	97	B61	MBC3-00001-1	19	C11
G03 STP 12387	36	B61	<b>MBC4-</b>		
G03 WWA 12388	63	B61	MBC4-12101	18	D21
G03-SCR-12369	49	B61	<b>MBC6-</b>		
<b>G7B</b>			MBC6-26001	53	B23
G7B HAN 10597	28	B61	<b>MBU1-</b>		
<b>GCS-</b>			MBU1-46000	34	C12
GCS-1-5854	3	F55	<b>MBU2-</b>		
GCS-1-M-1022	8	F45	MBU2-40011	4	B40
<b>GHS-</b>			<b>MBU3-</b>		
GHS-0-8112	2	F50	MBU3-00020	26	A12
GHS-1-2307	7	F50	MBU3-00021	27	A12
GHS-1-8112	3	F50	MBU3-00022	28	A12
<b>HBA1-</b>			MBU3-00023	29	A12
HBA1-30000	1	F40	<b>MBU6-</b>		
HBA1-30001	2	F40	MBU6-24001	50	B23
HBA1-30002-1	3	F40	MBU6-27001	51	B23
HBA1-30003-1	10	F40	<b>ME30-</b>		
<b>HBA2-</b>			ME30-028401-1	21	B22
HBA2-00100	24	C11			

## INDEX

PART-NO.	KEY-NO.	GROUP-NO.	PART-NO.	KEY-NO.	GROUP-NO.
<b>N078</b>			<b>NCU1-</b>		
N078111910	9	D22	NCU1-00001	12	C11
<b>NAS2-</b>			NCU1-00002	25	C12
NAS2-20100	17	B30	<b>NCU2-</b>		
<b>NAS4-</b>			NCU2-30700	6	D21
NAS4-10001	55	B22	NCU2-42600	33	B23
NAS4-10600	13	B21	NCU2-42700	47	B23
NAS4-10600	36	B22	<b>NCU3-</b>		
NAS4-20002	1	B24	NCU3-00002	9	A11
NAS4-20006-1	29	B24	<b>NFS2-</b>		
NAS4-204000	19	B24	NFS2-40011	3	D23
NAS4-20600	11	B23	<b>NFSH-</b>		
<b>NAS7-</b>			NFSH-40001	7	B15
NAS7-90200	1	J42	NFSH-42003	13	B22
NAS7-90300	2	J42	NFSH-42100	21	D21
<b>NAS8-</b>			NFSH-42200	26	D21
NAS8-00010	6	B30	NFSH-42300	1	B21
NAS8-00011	37	G10	NFSH-42400	4	B21
<b>NAS9-</b>			NFSH-42600	1	B22
NAS9-50001	14	J22	NFSH-42700	7	B22
NAS9-50002	26	J22	NFSH-42800	4	B22
NAS9-50003	27	J22	NFSH-42900	12	B22
NAS9-50004	28	J22	NFSH-43100	51	B22
<b>NASE-</b>			NFSH-50001	13	E25
NASE-61003	30	H10B	NFSH-80001	18	B22
NASE-61004	31	H10B	<b>NFST-</b>		
<b>NB46-</b>			NFST-00003	48-1	B61
NB46-030902	31	E10	<b>NK27-</b>		
<b>NB50-</b>			NK27-23011	31	B30
NB50-023013-1	37	B23	NK27-41001	24	B25
<b>NBPL-</b>			NK27-41300	11	B24
NBPL-95001	19	H10	NK27-41400	17	B24
NBPL-95001-E	19	H10B	NK27-41500	9	B24
NBPL-95002	20	H10	NK27-41600	15	B24
NBPL-95002-E	20	H10B	NK27-41700	13	B24
NBPL-95003	21	H10	NK27-61004	7	H10
NBPL-95003-E	21	H10B	NK27-61004	7	H10B
NBPL-95004	29	H10	NK27-61004	8	H10B
NBPL-95004-E	29	H10B	NK27-61004	9	H10B
NBPL-95005	22	H10	NK27-61005-1	8	H10
NBPL-95005-E	22	H10B	NK27-61006	9	H10
NBPL-95006	23	H10	NK27-61007	10	H10
NBPL-95006-E	23	H10B	NK27-61007	10	H10B
NBPL-95007	24	H10	NK27-61008	11	H10
NBPL-95007-E	24	H10B	NK27-61008	11	H10B
NBPL-95008	25	H10	NK27-61009	12	H10
NBPL-95008-E	25	H10B	NK27-61009	12	H10B
NBPL-95009	26	H10	NK27-61010	13	H10
NBPL-95009-E	26	H10B	NK27-61010	13	H10B
NBPL-95010	27	H10	NK27-61011	14	H10
NBPL-95010-E	27	H10B	NK27-61011-E	14	H10B
			NK27-61012	15	H10

## INDEX

PART-NO.	KEY-NO.	GROUP-NO.	PART-NO.	KEY-NO.	GROUP-NO.
NK27-61012	15	H10B	NOS2-40005	36	B25
NK27-61014	16	H10	NOS2-42001	9	B22
NK27-61014	16	H10B	NOS2-42002	23	B22
NK27-61015	17	H10	NOS2-42003	17	B22
NK27-61015-E	17	H10B	NOS2-50005	24	B40
NK27-61016-1	18	H10	NOS2-50006	25	B40
NK27-61016-1	18	H10B	NOS2-50400	18	B40
NK27-61022-1	4	H10	NOS2-60600-1	16	B50
NK27-61022-1	4	H10B	NOS2-60700	20	B50
NK27-61200-1	3	H10	<b>NOS4-</b>		
NK27-61200-E	3	H10B	NOS4-10001	26	B21
NK27-62001	28	H10	<b>NOS8-</b>		
NK27-62001-E	28	H10B	NOS8-00700	46	G10
NK27-70900-1	1	F55	<b>NOSE-</b>		
NK27-71400	1	F61	NOSE-40001	7	J41
NK27-71600	8	E24	NOSE-40100	10	J41
NK27-71700	11	E22	NOSE-40300-2	3	J41
NK27-72000	10	J22	<b>NPS1-</b>		
NK27-79001	11	E21	NPS1-10000	1	C11
NK27-80004	46	C12	NPS1-20000	11	C11
NK27-80005	32	B30	<b>NPS2-</b>		
NK27-80006	1	G10	NPS2-00001-1	26	B40
NK27-80007	36	G10	NPS2-00002-1	27	B40
NK27-80008	17	B21	NPS2-00003	28	B40
NK27-80008	40	B22	NPS2-00006	31	B40
NK27-80009	39	B22	NPS2-00007	32	B40
NK27-80010	18	B21	NPS2-00009	4	B10
NK27-80011	19	B21	NPS2-0004	20	B10
NK27-80011	52	B22	NPS2-00100-1	7	B10
NK27-80012	10	B10	NPS2-00400	11	B10
NK27-80013	11	B15	NPS2-00401	12	B10
NK27-80014	3	C11	NPS2-00402	13	B10
NK27-80015	58	C12	NPS2-00500	38	B10
NK27-80100	1	C12	NPS2-00500-1	38-1	B10
NK27-80110	2	C12	NPS2-00600	27	B10
NK27-80300	1	D21	NPS2-00601	28	B10
NK27-80700	4	B25	NPS2-00602	29	B10
NK27-80800	17	G10	NPS2-00603	30	B10
NK27-81100	31	D21	NPS2-00604	31	B10
NK27-81104	32	D21	NPS2-00605	32	B10
NK27-81112	33	D21	NPS2-00606	33	B10
NK27-81113	34	D21	NPS2-00607	34	B10
NK27-81114	35	D21	NPS2-10000-1	1	B10
NK27-89001	13	F40	NPS2-10109	2	B10
<b>NOS1-</b>			NPS2-20001	35	B30
NOS1-00002-1	8	C11	NPS2-20100	23	B30
<b>NOS2-</b>			NPS2-20100-1	23-1	B30
NOS2-00005	9	B10	NPS2-21000-1	1	B30
NOS2-40002	26	B23	NPS2-21000-2	1-1	B30
NOS2-40003	30	B25	NPS2-22000-1	12	B30
NOS2-40005	27	B23	NPS2-30001-1	10	D23
NOS2-40005	30, 31	B24	NPS2-30002	5	D23



## INDEX

PART-NO.	KEY-NO.	GROUP-NO.	PART-NO.	KEY-NO.	GROUP-NO.
NPS2-30003	36	D21	NPS3-52000	1	J11
NPS2-30100	13	D21	NPS3-53000	19	J11
NPS2-30200	14	D21	NPS3-54000	10	J11
NPS2-30300	8	D21	NPS3-60100	16	C11
NPS2-30400-1	18	D22	NPS3-60200	17	C11
NPS2-30500-1	19	D22	NPS3-60300	15	C11
NPS2-30800	31	D22	NPS3-60400	10	A11
NPS2-30900	34	D22	NPS3-60500	14	A11
NPS2-31000	1	D23	NPS3-60600	15	A11
NPS2-31100	10	D24	NPS3-60700	17	A11
NPS2-50002-1	33	B40	NPS3-60800	18	A11
NPS2-50003	52	B40	NPS3-60900	19	A11
NPS2-50004	54	B40	NPS3-61000	31	A12
NPS2-50006-1	39	B40	NPS3-61000-1	31-1	A12
NPS2-50007	42	B40	NPS3-61100	20	A11
NPS2-50008	53	B40	NPS3-61200	30	A12
NPS2-50100-1	45	B40	NPS3-61300	38	B15
NPS2-50101	46	B40	NPS3-61301	39	B15
NPS2-50102	47	B40	NPS3-61302	40	B15
NPS2-50103	48	B40	<b>NPS4-</b>		
NPS2-50104	49	B40	NPS4-10001	26	B22
NPS2-50105	50	B40	NPS4-10003-1	29	B22
NPS2-50106	51	B40	NPS4-10004	7	B21
NPS2-50200	21	B40	NPS4-20001	36	B24
NPS2-50300	36	B40	NPS4-20002	35	B25
NPS2-51000	1	B40	NPS4-20003	10	B25
NPS2-52000	5	B40	NPS4-20004	10	B23
NPS2-60001-1	34	B15	NPS4-20005	22	B24
NPS2-60002	8	B15	NPS4-20006	52	B23
NPS2-60003-2	20	B15	NPS4-20100	1	B23
NPS2-60004-1	23	B15	NPS4-20200	4	B23
NPS2-60006	31	B15	NPS4-20300	16	B23
NPS2-60007	14	B15	NPS4-20400	14	B23
NPS2-60008-1	17	B15	NPS4-20500	21	B23
NPS2-60010	7	B50	NPS4-20600	30	B23
NPS2-60011	35	B15	NPS4-20700	20	B25
NPS2-60012	24	B15	NPS4-20800	5	B25
NPS2-60300	10	B50	NPS4-20900	35	B23
NPS2-60400	13	B50	NPS4-21000	1	B25
NPS2-60500	4	B50	NPS4-21100	31	B25
NPS2-60700	4	B15	NPS4-21200	6	B24
NPS2-60800	1	B50	NPS4-21300	17	B25
NPS2-61000	1	B15	<b>NPS5-</b>		
<b>NPS3-</b>			NPS5-00010	1	E22
NPS3-00001	6	A11	NPS5-00100	26	E10
NPS3-00002	37	E10	NPS5-00200	27	E10
NPS3-00003	40	E10	NPS5-00300	3	E21
NPS3-11000-1	1	A11	NPS5-00400	15	E25
NPS3-21000-1	2	A11	NPS5-00500	19	E10
NPS3-31000	1	A12	NPS5-00600	20	E10
NPS3-32000	1	J12	<b>NPS6-</b>		
NPS3-51000	11	A12	NPS6-00001	5	H10

## INDEX

PART-NO.	KEY-NO.	GROUP-NO.	PART-NO.	KEY-NO.	GROUP-NO.
NPS6-00001	5	H10B	NPS9-53002	16	J21
NPS6-00002	2	H10	<b>OORB</b>		
NPS6-00002-E	2	H10B	OORBP20	24	F61
NPS6-00003	6	H10	OORBP20	15	J42
NPS6-00003	6	H10B	<b>OPSM</b>		
NPS6-10000	1	H10	OPSM410	28	J42
NPS6-10000-E	1	H10B	OPSM430	31	J42
<b>NPS7-</b>			OPSM58	33	J42
NPS7-00200	1	F11	<b>ORNM</b>		
NPS7-00210	26	F11	ORNM4C	29, 32	J42
NPS7-00300	39	D21	<b>OSPV</b>		
NPS7-00300	1	F45	OSPV510	4	F61
NPS7-00400-1	1	F20	OSPV510	8	J42
NPS7-00410	28	F20	<b>OWM</b>		
NPS7-00420	26	F20	OWM4S	30	J42
NPS7-00430	27	F20	<b>P714</b>		
NPS7-00500	1	F22	P714K11100	3	D22
NPS7-00510	28	F22	<b>PA-</b>		
NPS7-00520	26	F22	PA-0563	6	K10
NPS7-00530	27	F22	PA-0564	5	K10
NPS7-00600	1	F24	PA-0565	4	K10
NPS7-00610	23	F24	PA-0566	3	K10
NPS7-00620	21	F24	PA-2329	55	G10
NPS7-00630	22	F24	PA-2376	8	K10
NPS7-00700	1	F26	PA-2377	7	K10
NPS7-00710	23	F26	PA-2378	2	K10
NPS7-00720	21	F26	PA-5219	10	B30
NPS7-00730	22	F26	<b>PDBS-</b>		
NPS7-00800-1	1	F28	PDBS-101570	2	F45
NPS7-00810	22	F28	<b>Q891</b>		
NPS7-00820	20	F28	Q891232100	7	D22
NPS7-00830	21	F28	<b>RBO-</b>		
NPS7-00900	28	C12	RBO-G100	16	F50
NPS7-00900	1	F50	<b>REX</b>		
NPS7-0100	12	E25	REX018171	35	G10
NPS7-01100	17	J21	<b>RO-</b>		
<b>NPS8-</b>			RO-G100-90	9	F50
NPS8-00001	7	B40	RO-G125-90	8	F50
NPS8-00100	1	D22	RO-G55-90	10	F45
NPS8-00200	59	G10	RO-P11-90	5	F45
NPS8-00300	14	D22	RO-P11-90	6	F50
NPS8-00400	73	G10	RO-P11-90	8	F55
NPS8-00500	60	G10	RO-P12.5-70	12	F50
<b>NPS9-</b>			RO-P12-90	6	F45
NPS9-10000-1	1	J30	RO-P14-90	11	F50
NPS9-51001	6	J21	RO-P14-90	4	F55
NPS9-51200	1	J21	RO-P18-90	5	F55
NPS9-51300	9	J21	RO-P22-90	6	F55
NPS9-51400	10	J21	RO-P25-90	10	F50
NPS9-51500	2	J21	RO-P28-90	7	F55
NPS9-51600	3	J21	RO-P7-90	9	F45
NPS9-53001	15	J21	RO-P7-90	14	F50

## INDEX

PART-NO.	KEY-NO.	GROUP-NO.	PART-NO.	KEY-NO.	GROUP-NO.
RO-P8-90	11	F45	Z14 HOS 11073	64	B61
RO-P8-90	13	F50	Z14-LAM-11021	25	B61
<b>ROA-</b>			<b>ZR-</b>		
ROA-261-70	5	F50	ZR-03-NB17-8683A	2	F55
ROA-262-70	4	F50	<b>ZZ-</b>		
<b>S00</b>			ZZ-G01-A-D1-6090B	12	F45
S00 HRU AB140	11	B61			
S00 HRU AC200	3	B61			
S00 HRU AC230	21	B61			
S00 HRU AC350	5	B61			
S00 SEA BG410	52	B61			
S00 SEA EG390	51	B61			
S00 TRM DC310	7	B61			
<b>S100</b>					
S10028	60	C12			
S10035	59	C12			
<b>S16</b>					
S16 CLP 10101	60	B61			
S16 PAC 10107	15	B61			
S16 RET 10106	14	B61			
S16 SEA 10112	16	B61			
S16 STP 10161	13	B61			
<b>SB15-</b>					
SB15-010001	2	C11			
<b>SCJY-</b>					
SCJY-305210-V	4	F45			
SCJY20328.5	15	F50			
<b>SPGY84-</b>					
SPGY84-90-5A	18	F50			
<b>SPGY89-</b>					
SPGY89-95-5A	17	F50			
<b>T091</b>					
T091011220	11	D22			
<b>U280</b>					
U280806100	6	D22			
U280808160	8	D22			
<b>V300</b>					
V300188110	15	D22			
V300188110	2	D22			
V300231100	5	D22			
<b>VZ501</b>					
VZ50105770-03	22	F61			
VZ50105770-03	6	J42			
VZ50106900	3	F61			
VZ50106900	7	J42			
<b>WD8</b>					
WD8A~16A~2.0	7	F45			
<b>Y-</b>					
Y-2901	12	E22			
<b>Z14</b>					
Z14 ASH 11059	30	B61			
Z14 COV 11032	79	B61			