



SPARE PARTS LIST

EARLY ENTRY SAWS

SOFF CUT 4000, 2015-10

Go to Discount-Equipment.com to order your parts



PARTS FINDER

**Search Website
by Part Number**



**Search Manual
Library For Parts
Manual & Lookup Part
Numbers – Purchase
or Request Quote**

Search Manuals

Enter your information to help us find the right parts manual for your machine.

* Brand:

* Model:

* Serial:

* Part Number:

SEARCH

**Can't Find Part or
Manual? Request Help
by Manufacturer,
Model & Description**

Parts Order Form

Please fill in the following information to help us find the right part for your machine.

Manufacturer:	<input type="text"/>
Model:	<input type="text"/>
Description:	<input type="text"/>
Part Number:	<input type="text"/>
Quantity:	<input type="text"/>
Notes:	<input type="text"/>

Submit

Discount-Equipment.com is your online resource for quality parts & equipment.

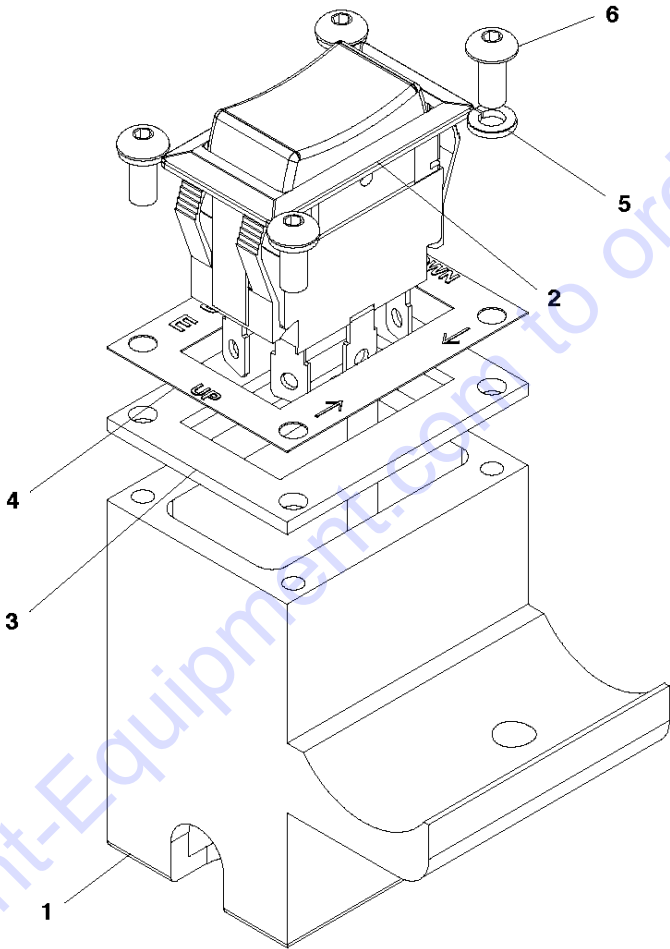
Florida: **561-964-4949** Outside Florida TOLL FREE: **877-690-3101**

Need parts?

Click on this link: <http://www.discount-equipment.com/category/5443-parts/> and choose one of the options to help get the right parts and equipment you are looking for. Please have the machine model and serial number available in order to help us get you the correct parts. If you don't find the part on the website or on one of the online manuals, please fill out the request form and one of our experienced staff members will get back to you with a quote for the right part that your machine needs.

We sell worldwide for the brands: Genie, Terex, JLG, MultiQuip, Mikasa, Essick, Whiteman, Mayco, Toro Stone, Diamond Products, Generac Magnum, Airman, Haulotte, Barreto, Power Blanket, Nifty Lift, Atlas Copco, Chicago Pneumatic, Allmand, Miller Curber, Skyjack, Lull, Skytrak, Tsurumi, Husquvarna Target, Stow, Wacker, Sakai, Mi-T-M, Sullair, Basic, Dynapac, MBW, Weber, Bartell, Bennar Newman, Haulotte, Ditch Runner, Menegotti, Morrison, Contec, Buddy, Crown, Edco, Wyco, Bomag, Laymor, EZ Trench, Bil-Jax, F.S. Curtis, Gehl Pavers, Heli, Honda, ICS/PowerGrit, IHI, Partner, Imer, Clipper, MMD, Koshin, Rice, CH&E, General Equipment, Amida, Coleman, NAC, Gradall, Square Shooter, Kent, Stanley, Tamco, Toku, Hatz, Kohler, Robin, Wisconsin, Northrock, Oztec, Toker TK, Rol-Air, APT, Wylie, Ingersoll Rand / Doosan, Innovatech, Con X, Ammann, Mecalac, Makinex, Smith Surface Prep, Small Line, Wanco, Yanmar

L SOFF CUT X4000
KIT - ACTUATOR SWITCH



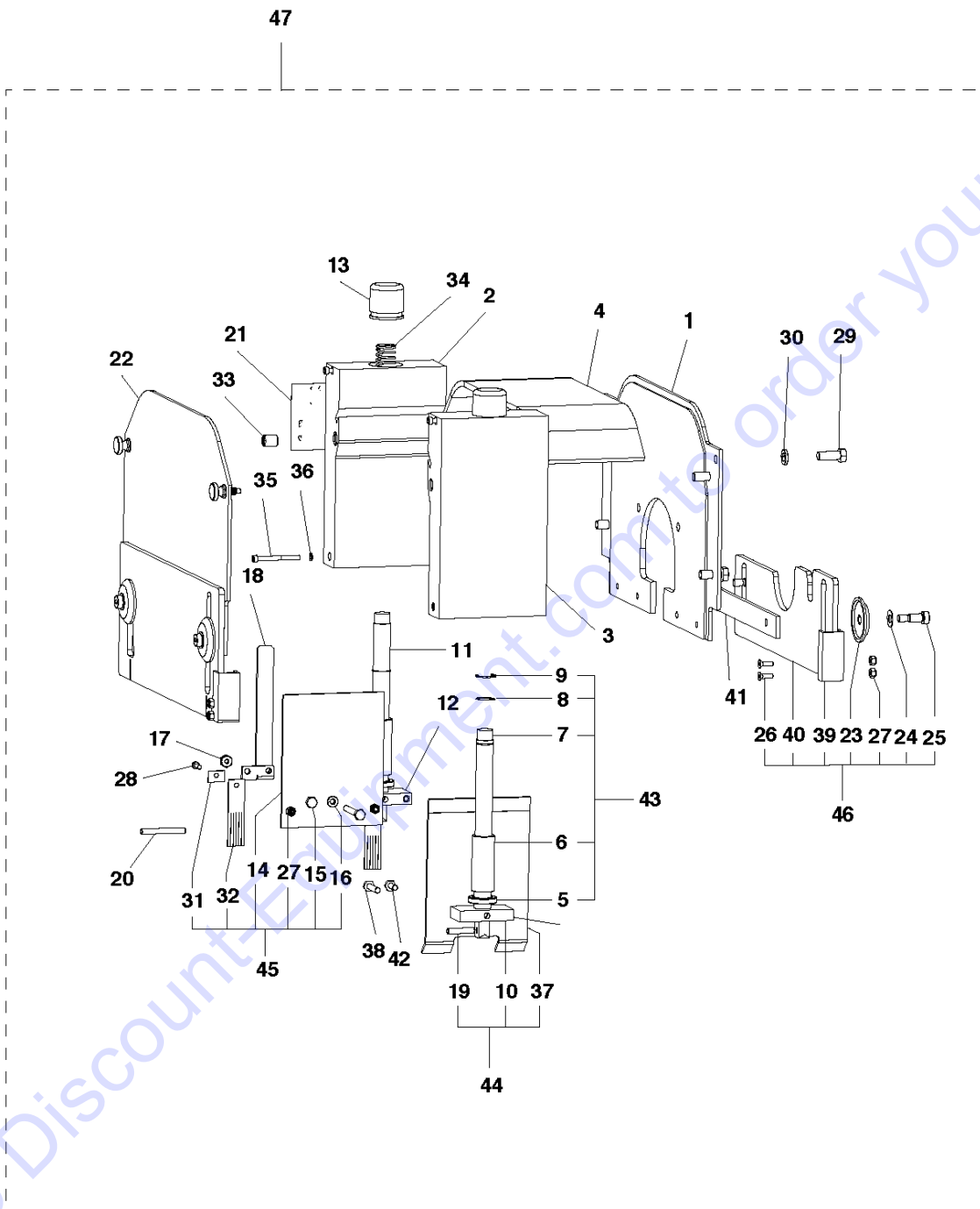
ACTUATOR SWITCH

SOFF CUT 4000, 2015-10

Ref	Part No	Description	Remark	QTY KIT	
1	505 83 16-01	ACTUATOR	From page K	1	
2	505 75 07-01	ACTUATOR		1	1
3	505 83 15-01	ACTUATOR		1	1
4	510 34 42-01	ACTUATOR		1	1
5	505 63 27-01	LK WASH #8 SPLIT S.S.		4	1
6	505 62 93-01	BHS 8-32-3/8 S.S.		4	1

Go to Discount-Equipment.com to order your parts

M SOFF CUT X4000
BLADE HOUSING



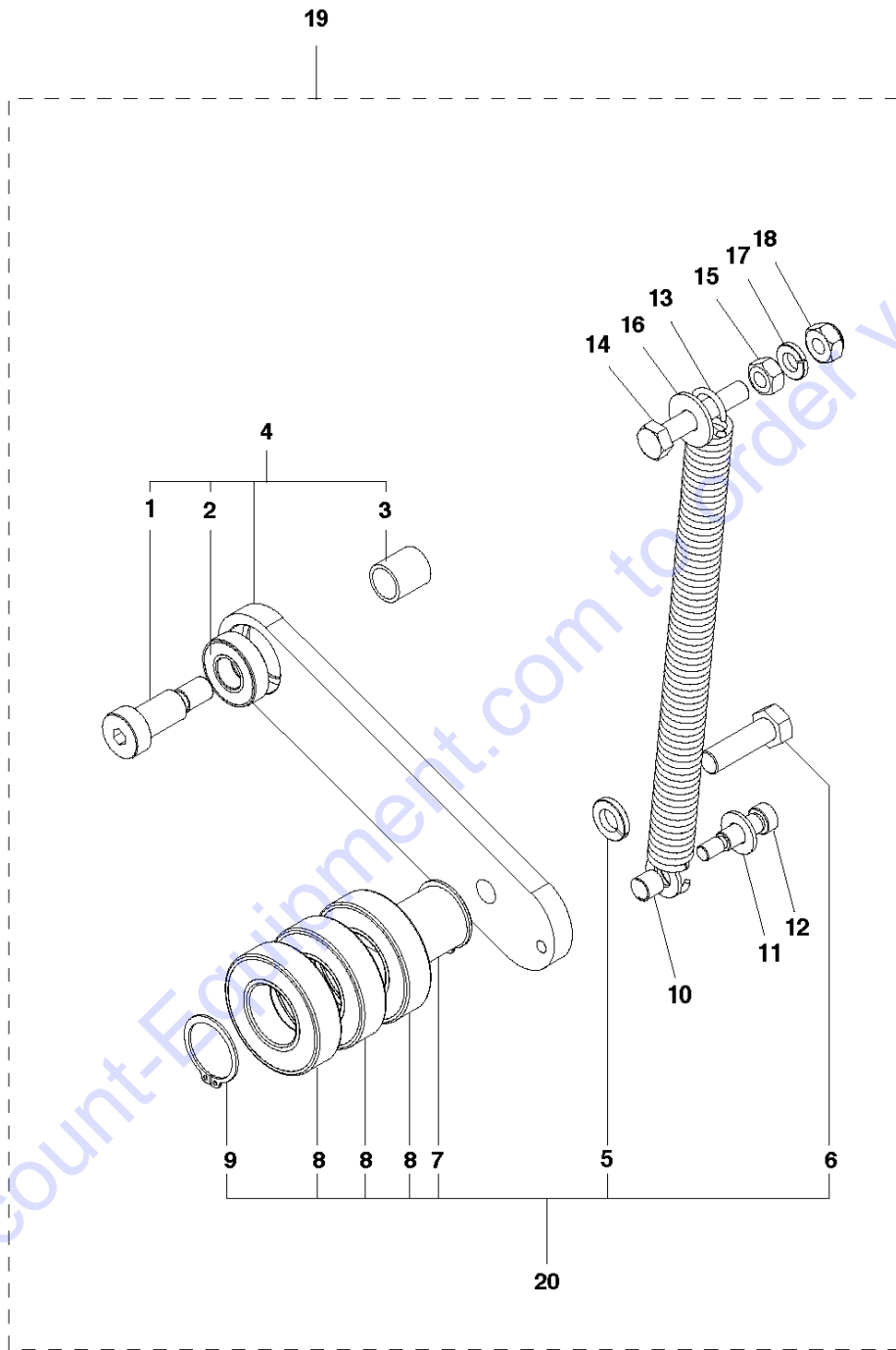
BLADE HOUSING

SOFF CUT 4000, 2015-10

Ref	Part No	Description	Remark	QTY	KIT
1	505 82 79-01	B.B. COVER REAR		1	47
2	505 82 77-01	B.B. REAR BLOCK		1	47
3	505 82 78-01	B.B. FRONT BLOCK		1	47
4	505 82 85-01	B.B. COVER TOP		1	47
5	505 73 80-01	SEAL DUST		2	43, 47
6	505 66 78-01	GX4200 3/4 X 1 X 2 1/2 BUSHING		2	43, 47
7	505 82 83-01	B.B. SHAFT FRONT		1	43, 47
8	541 40 14-72	RING		2	43, 47
9	505 73 36-01	SNAP RING		1	43, 47
10	505 83 98-01	BLOCK. SHAFT. COLLAR. BB		1	44, 47
11	505 82 84-01	B.B. SHAFT REAR		1	47
12	505 66 49-01	BLOCK. SHAFT COLAR. B.B.		1	47
13	505 83 14-01	B.B. CAP		2	47
14	505 82 88-01	REAR DIVERTER		1	45, 47
15	505 72 81-01	HEX BOLT 1/4-20-2 S.S. ALL THR		2	45, 47
16	505 63 28-01	LK WASH 1/4 SPLIT SS		3	45, 47
17	505 63 07-01	NYLOC NUT 1/4-20 .218"HT.		1	47
18	505 83 17-01	DEPTH GAUGE ARM		1	47
19	505 77 40-01	PRECISION DOW PIN 1/4 X 1 1/4		1	44, 47
20	587 91 82-01	PIN		1	47
21	510 34 38-01	STICKER. DEPTH GAUGE		1	47
22	505 88 68-01	BLADE BLOCK COVER. X4000		1	47
23	505 76 17-01	WASHER		2	46, 47
24	505 63 42-01	FLAT WSHR.750 X .375 X .031 SS		2	46, 47
25	505 62 71-01	SHSH BOLT 3/8 X 5/8 BLK STL		2	46, 47
26	505 73 02-01	FHS 10-24-5/8 S.S.		2	46, 47
27	505 63 04-01	NYLOC NUT #10-24 CAD.PL.		4	45,46,47
28	505 77 24-01	10-24 X 1/2 SHC SS		2	47
29	505 83 31-01	HEX BOLT 3/8 - 16 X 1 S.S.		6	47
30	505 73 10-01	LK WASH 3/8 SPLIT SS		6	47
31	505 76 91-01	MTG. BAR FOR RUBBER FLAPS SML		2	45, 47
32	505 76 92-01	SMALL DUST FLAP		2	45, 47
33	505 74 83-01	THREADED INSERT S.S.		2	47
34	505 79 07-01	BLADE BLOCK SPRINGS/GX4000		2	47
35	505 83 37-01	HALF TREAD SHC 10-32 X 2 S.S.		4	47
36	505 63 31-01	LK WASH #10 SPLIT SS		2	47
37	505 82 86-01	FRONT DIVERTER		1	44, 47
38	505 72 83-01	HEX BOLT 1/4-20 X 1 1/4" ALL T		1	47
39	505 81 93-01	INNER DIVERTER CHANNEL		1	46, 47
40	505 82 81-01	INNER LEXAN		1	46, 47
41	505 83 20-01	SPACER		1	47
42	505 62 74-01	HEX BOLT 1/4-20-5/8 S.S.		1	47
43	505 88 73-01	X4000 FRONT BLADE BLOCK SHAFT		1	47
44	505 88 75-01	X4000 FRONT DIVERTER PLATE KIT		1	47
45	505 88 76-01	X4000 REAR DIVERTER PLATE KIT		1	47
46	505 88 69-01	INNER LEXAN. X4000		1	47
47	510 27 21-03	ASSEMBLY		1	

Go to [DiscountParts.com](http://www.discountparts.com) to order your parts

D SOFF CUT X4000
BLADE IDLER PULLEY



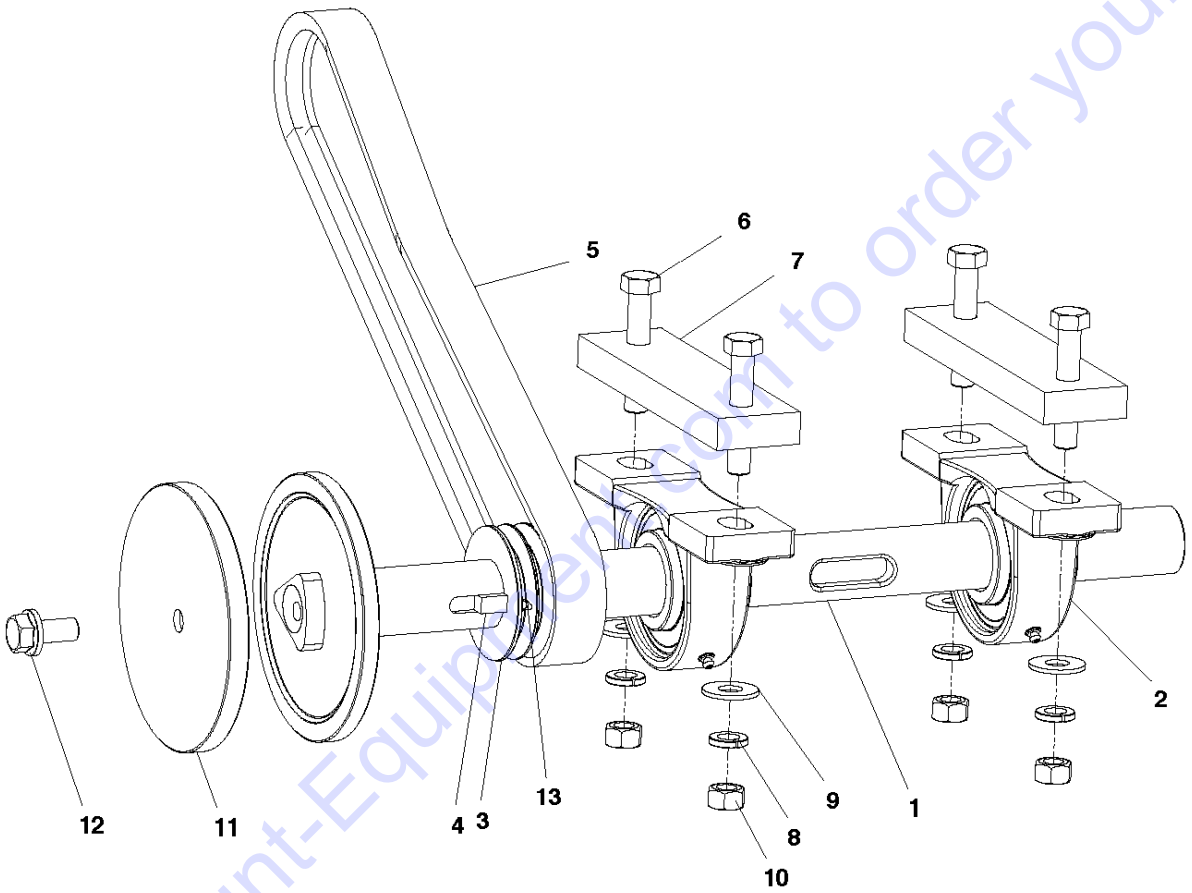
BLADE IDLER PULLEY

SOFF CUT 4000, 2015-10

Ref	Part No	Description	Remark	QTY	KIT
1	523 05 96-05	BOLT		1	4
2	505 65 48-01	BALL BEARING		1	4
3	523 05 94-01	SPACER		1	4
4	505 85 98-02	KIT		1	
5	505 73 10-01	LK WASH 3/8 SPLIT SS		1	
6	539 97 69-41	SCREW		1	
7	505 70 68-01	SHAFT. BLADE BELT TENSIONER (P		1	
8	505 73 63-01	10"WHEEL/ BLK SEAL SINLE LIP		3	
9	542 20 62-05	SNAP RING		2	
10	505 71 79-01	BUSHING.G.A.(.315 SPACER)		1	
11	539 99 01-88	WASHER		2	
12	505 72 64-01	SHSB 5/16 X 3/4 BLK STL		1	
13	505 73 73-01	SPRING		1	
14	505 72 85-01	HEX BOLT 5/16-18 X 1 3/4 GRADE		1	
15	539 99 01-96	NUT		1	
16	541 20 47-80	WASHER		1	
17	505 63 30-01	LK WASH 5/16 SPLIT SS		1	
18	539 99 07-17	NUT		1	
19	510 27 17-03	ASSEMBLY		1	
20	505 48 45-01	PULLEY		1	

Go to Discount-Equipment.com to order your parts

F SOFF CUT X4000
BLADE SHAFT ASSEMBLY



Go to Discount-Equipment.com to order your parts

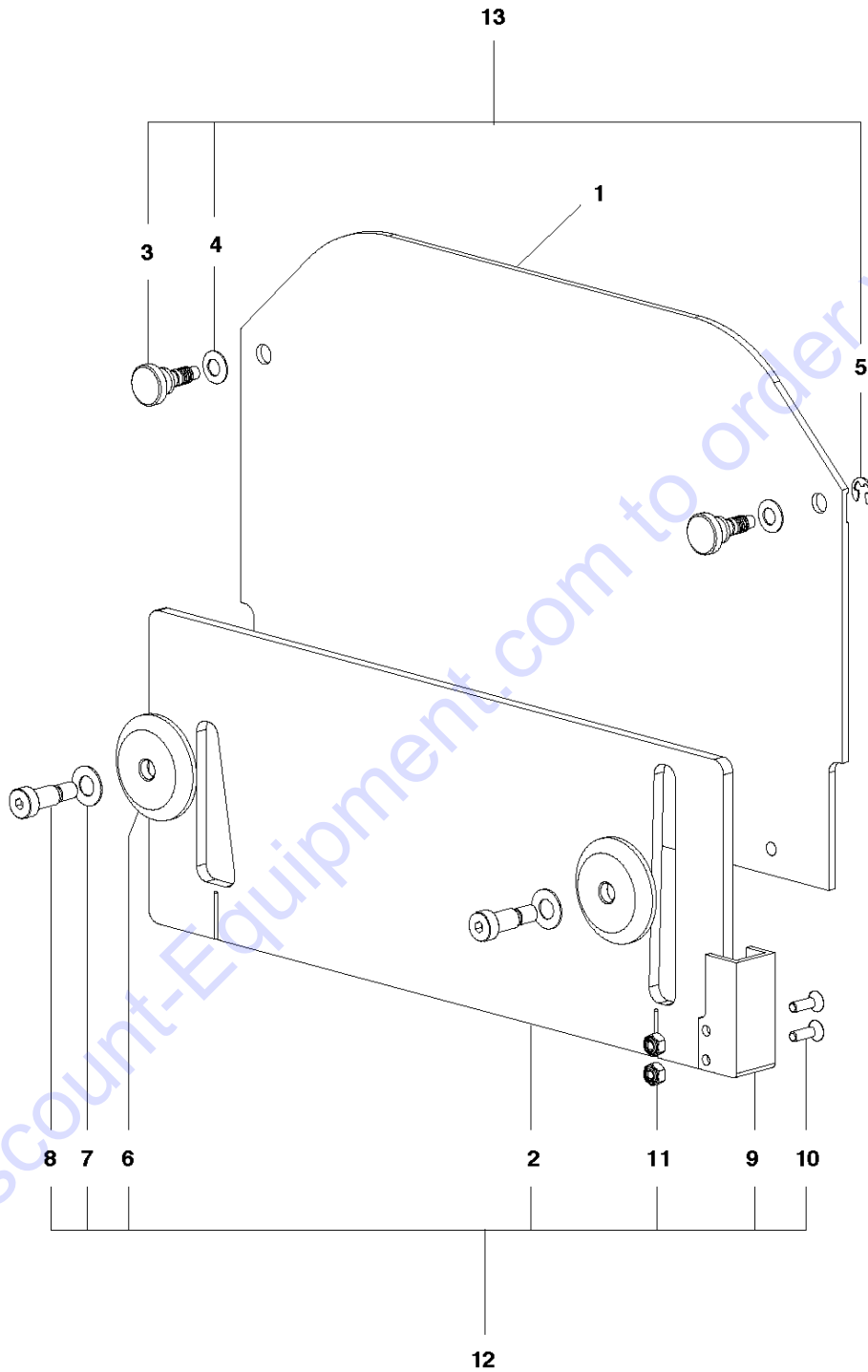
BLADE SHAFT

SOFF CUT 4000, 2015-10

Ref	Part No	Description	Remark	QTY KIT
1	505 57 32-04	SHAFT		1
2	505 83 41-01	BLADE SHAFT		2
3	587 92 98-01	PULLEY		1
4	510 32 69-01	KEY		1
5	505 48 39-02	BELT		1
6	505 72 71-01	HEX BOLT 1/2-20-2 3/4 GR 8		4
7	505 83 00-01	BEARING		2
8	505 73 11-01	LK WASH 1/2 SPLIT SS		4
9	505 73 14-01	FLAT WASH 1/2 X 1 1/4 O.D. S.S		4
10	541 20 48-36	NUT		4
11	505 49 15-05	WASHER		1
12	505 48 37-01	BOLT		1
13	542 02 05-51	SHSS, .3125-18 X .25 /CUP HK		3

Go to Discount-Equipment.com to order your parts

N SOFF CUT X4000
BLADE BLOCK COVER



Go to Discount-Equipment.com to order your parts

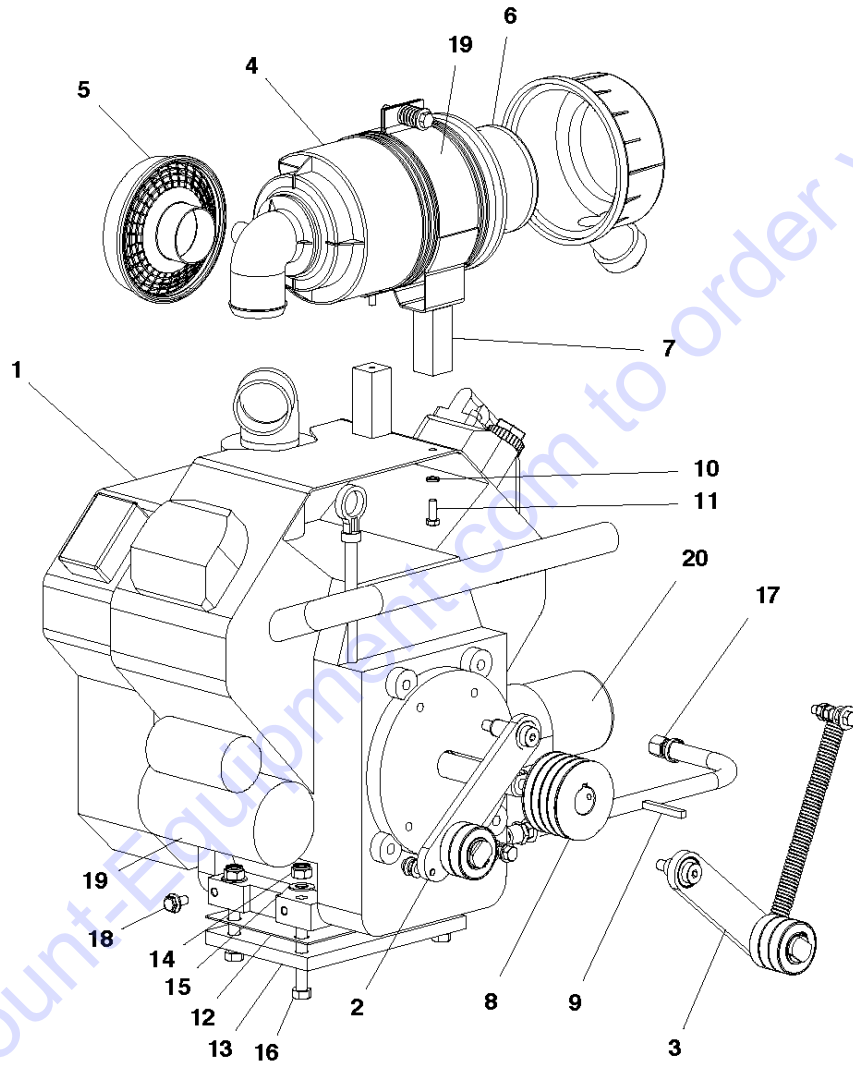
COVER

SOFF CUT 4000, 2015-10

Ref	Part No	Description	Remark	QTY	KIT
1	505 82 80-01	B.B. COVER FRONT		1	
2	505 82 82-01	OUTER LEXAN		1	12
3	505 53 63-01	KNOB		2	
4	505 53 64-01	WASHER		2	
5	505 53 65-01	E-CLIP		2	
6	505 76 17-01	WASHER		2	12
7	505 63 42-01	FLAT WSHR.750 X .375 X .031 SS		2	12
8	505 62 71-01	SHSH BOLT 3/8 X 5/8 BLK STL		2	12
9	505 81 94-01	OUTER DIVERTER CHANNEL		1	12
10	505 73 02-01	FHS 10-24-5/8 S.S.		2	12
11	505 63 04-01	NYLOC NUT #10-24 CAD.PL.		2	12
12	505 88 71-01	OUTER LEXAN. X4000		1	
13	505 48 29-01	KNOB	Kit, Blade Cover Knobs 2 pcs	1	

Go to Discount-Equipment.com to order your parts

A SOFF CUT X4000
ENGINE ASSEMBLY



Go to Discount-Equipment.com to order your parts

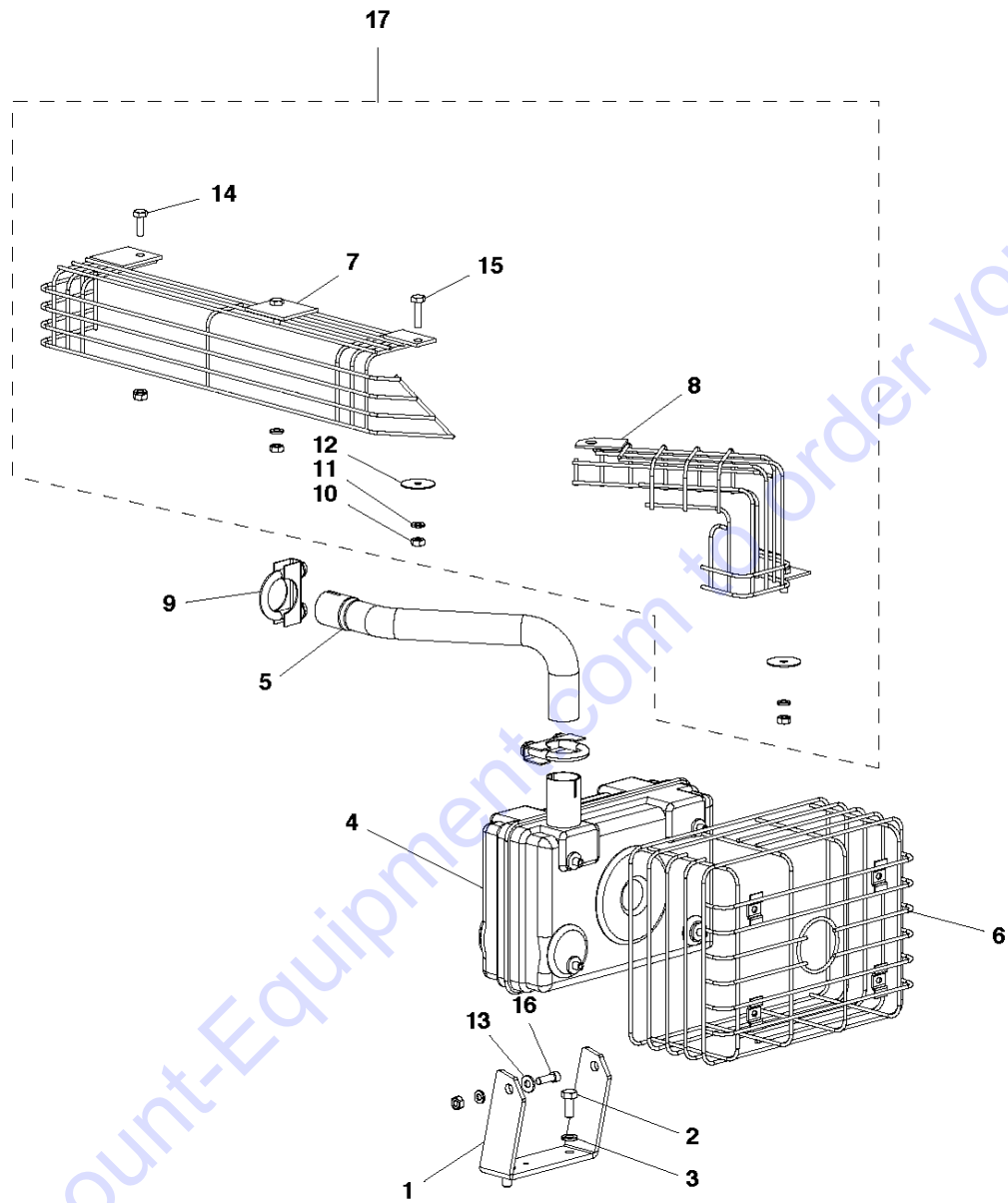
ENGINE

SOFF CUT 4000, 2015-10

Ref	Part No	Description	Remark	QTY KIT
1	586 60 11-02	ENGINE		1
2	510 27 18-03	ASSEMBLY		1
3	510 27 17-03	ASSEMBLY		1
4	505 83 61-01	AIR CLEANER		1
5	505 83 63-01	HOOD		1
6	505 48 23-06	FILTER	2-pack	1
7	505 79 33-01	AIR CANISTER SUPPORT BRACE		2
8	505 83 46-01	PULLEY		1
9	521 89 52-01	KEY		1
10	505 63 28-01	LK WASH 1/4 SPLIT SS		4
11	505 62 75-01	HEX BOLT 1/4-20-3/4 S.S.		4
12	505 79 32-01	MOTOR MT PLATE/OVER RUBBER		1
13	505 79 31-01	MOTOR MOUNT RUBBER		1
14	541 20 57-26	NUT		4
15	510 30 21-01	WASHER		4
16	505 60 15-01	HEX BOLT 7/16-14-2 1/2 S.S.		4
17	505 85 75-07	KIT		1
18	505 79 56-01	M8 X 16MM FLANGE BOLT		1
19	505 48 43-02	STARTER		1
20	505 79 74-01	OIL FILTER		1

Go to Discount-Equipment.com to order your parts

C SOFF CUT X4000
EXHAUST SYSTEM ASSEMBLY



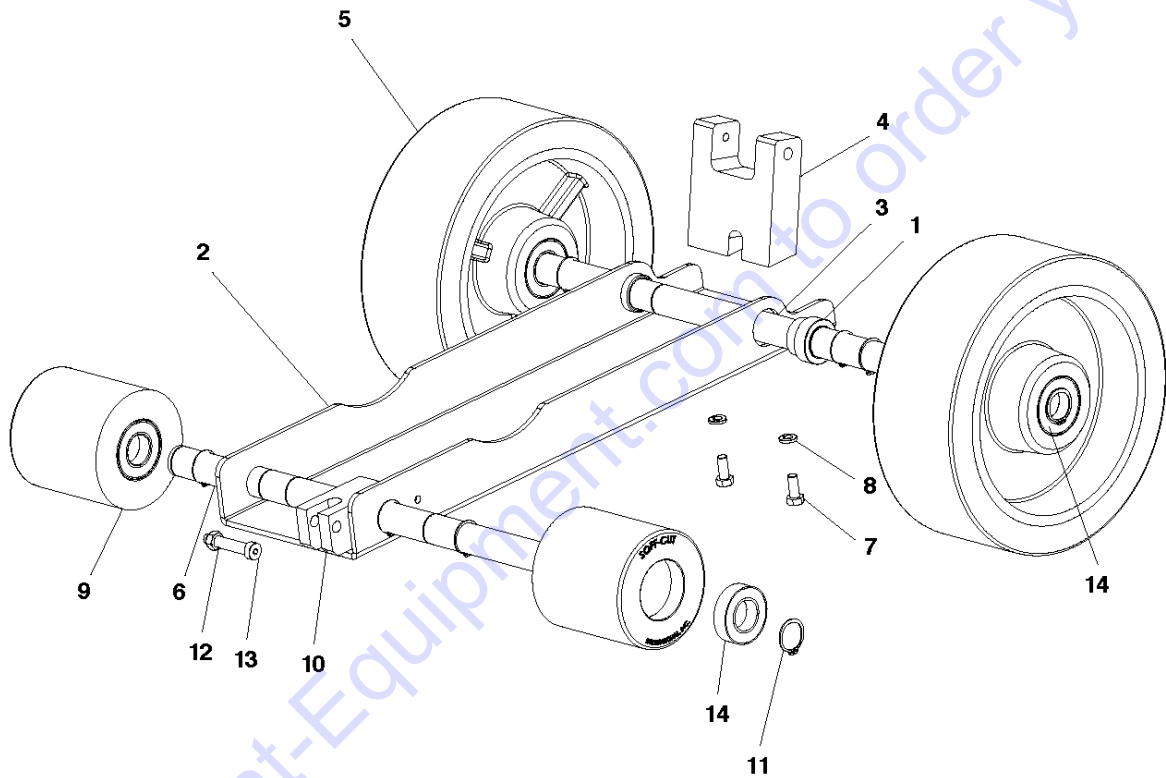
EXHAUST

SOFF CUT 4000, 2015-10

Ref	Part No	Description	Remark	QTY KIT
1	505 81 86-01	PUMP SUPPORT BRACKET		1
2	539 97 69-34	SCREW		2
3	505 63 30-01	LK WASH 5/16 SPLIT SS		2
4	505 83 58-01	MUFFLER FOR CH20 KOHLER MOTOR		1
5	505 83 45-01	EXHAUST ELBOW TUBING		1
6	505 83 54-01	MUFFLER. GUARD KIT		1
7	505 83 21-01	MUFFLER GUARD		1
8	505 83 22-01	MUFFLER GUARD		1
9	505 74 32-01	MUFFLER CLAMP 1 1/8"		2
10	505 63 19-01	JAM NUT 1/4-20 STAINLESS STEEL		6
11	505 63 28-01	LK WASH 1/4 SPLIT SS		6
12	505 72 49-01	FLAT WASH 1/4 X 1 1/4 O.D. FEN		2
13	505 63 20-01	WASHER		2
14	505 62 75-01	HEX BOLT 1/4-20-3/4 S.S.		3
15	505 72 73-01	HEX BOLT 1/4-20-1 STAINLESS ST		1
16	505 62 78-01	SHC 1/4-20-3/4 S.S.		2
17	505 87 05-01	X4000 EXHAUST MANIFOLD&ELBOW G	Guard, Exhust manifold & elbow kit	1

Go to Discount-Equipment.com to order your parts

G SOFF CUT X4000
FRONT WHEEL CARRIAGE



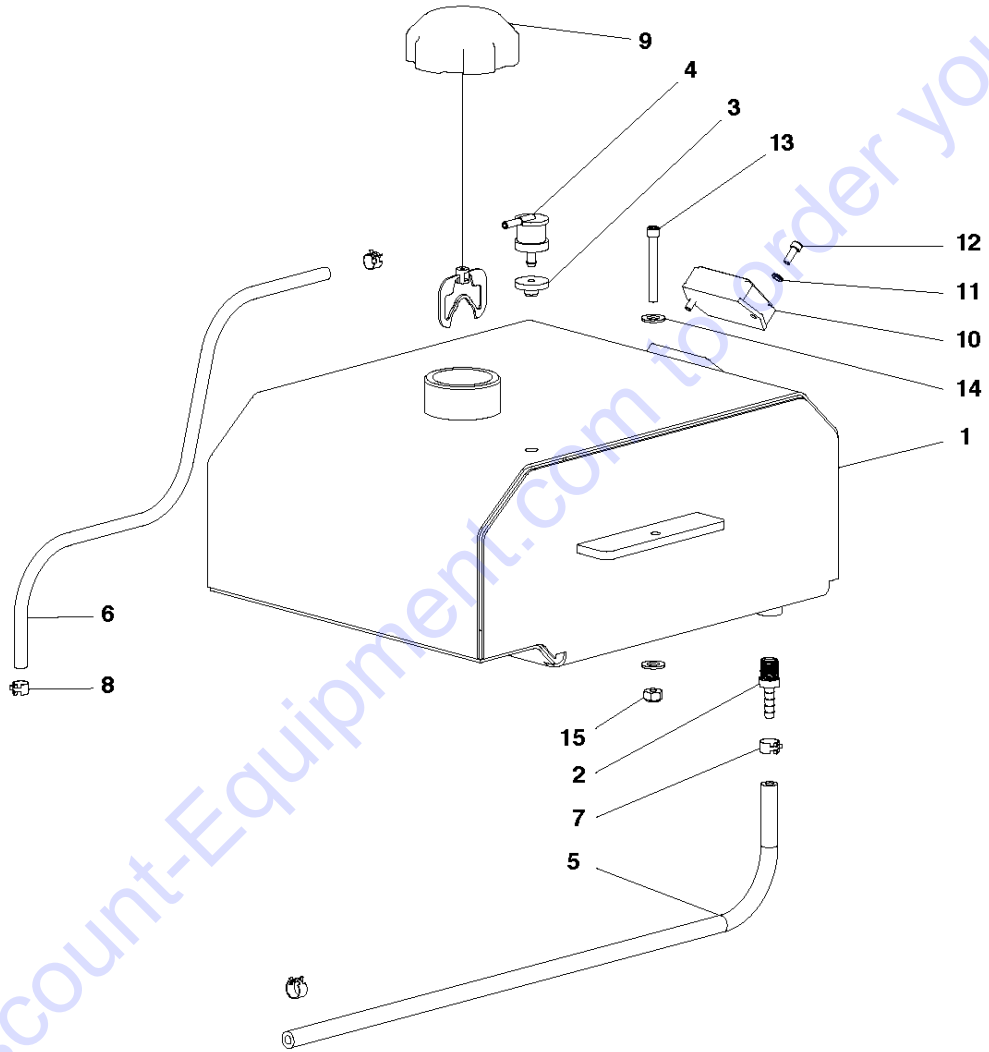
FRONT WHEEL CARRIAGE

SOFF CUT 4000, 2015-10

Ref	Part No	Description	Remark	QTY KIT
1	505 65 51-01	DELFIN BUSHING - AXLE		2
2	505 83 01-01	FRONTWHEEL CARRIAGE		1
3	505 82 99-01	AXLE		1
4	505 81 91-01	PUMP SUPPORT BLOCK		1
5	505 86 45-01	X2000/E/ X4000 REAR WHEEL		2
6	505 81 73-01	AXLE		1
7	539 97 69-34	SCREW		2
8	505 63 30-01	LK WASH 5/16 SPLIT SS		2
9	505 86 44-01	X2000/E/ X4000 FRONT WHEEL		2
10	505 83 10-02	ACTUATOR		1
11	542 20 62-05	SNAP RING		8
12	539 99 07-17	NUT		1
13	505 83 35-01	SHSB 3/8 X 1 1/2		1
14	505 73 63-01	10"WHEEL/ BLK SEAL SINLE LIP	2 pcs incl. In each wheel.	8

Go to Discount-Equipment.com to order your parts

P SOFF CUT X4000
FUEL TANK ASSEMBLY



Go to Discount-Equipment.com to order your parts

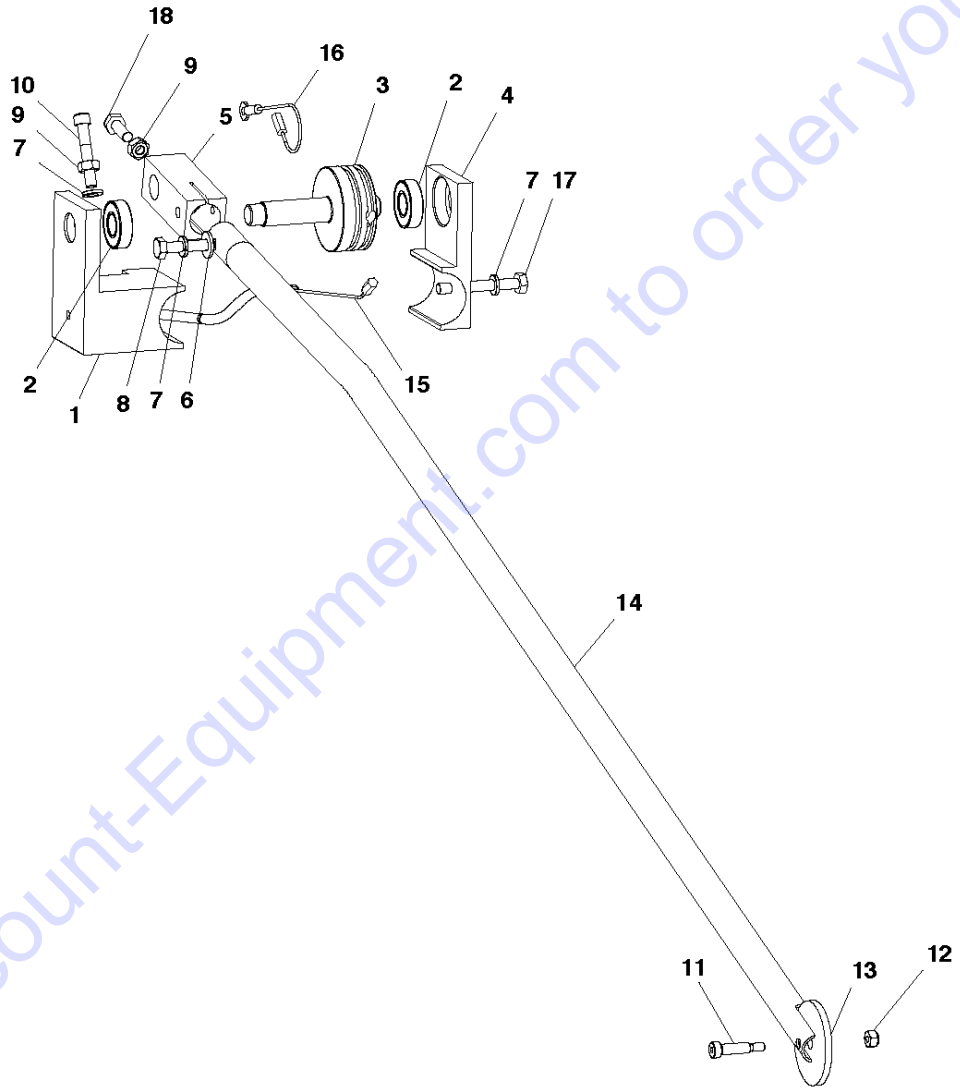
FUEL TANK

SOFF CUT 4000, 2015-10

Ref	Part No	Description	Remark	QTY KIT
1	578 28 74-01	KIT		1
2	541 20 47-99	FITTING		1
3	576 61 82-01	GROMMET		2
4	576 61 81-01	VALVE		2
5	523 05 08-01	HOSE		2
6	523 05 08-13	HOSE		2
7	577 81 35-01	CLAMP		2
8	577 81 35-02	CLAMP		2
9	586 02 73-01	CAP		1
10	505 81 43-01	HOUR METER		1
11	505 63 31-01	LK WASH #10 SPLIT SS		2
12	505 72 96-01	SHC 10-32 X 1/2 S.S. CBL MTS		2
13	505 72 89-01	SHC 1/4-20-2 S.S.		2
14	505 72 55-01	FLAT WASH 1/4 PFC9 SAE ZINC		4
15	539 97 69-78	NUT		2

Go to Discount-Equipment.com to order your parts

Q SOFF CUT X4000
GUIDE ARM ASSEMBLY



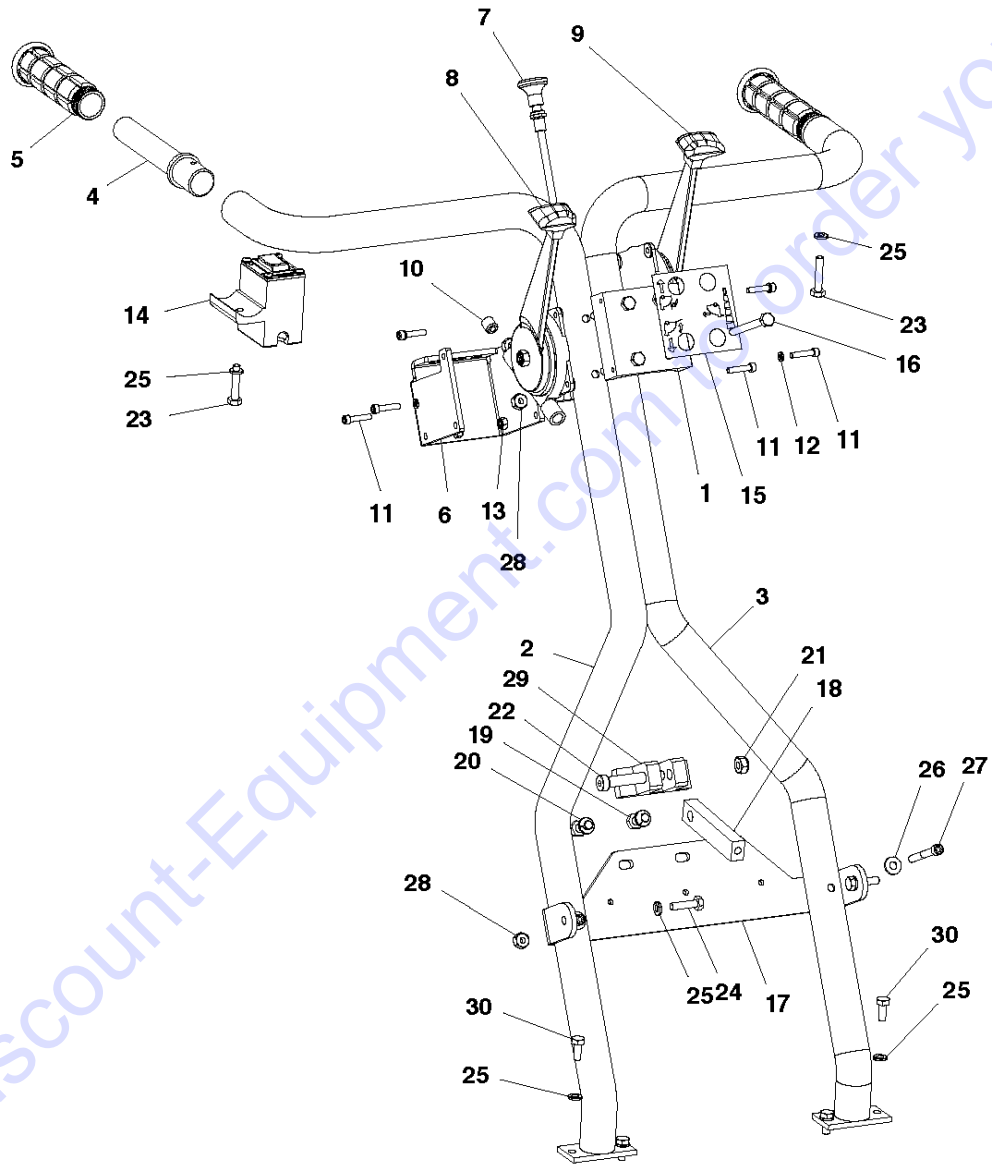
GUIDE ARM ASSEMBLY

SOFF CUT 4000, 2015-10

Ref	Part No	Description	Remark	QTY KIT
1	505 81 64-01	PULLEY MOUNTING BLOCK LARGE		1
2	505 65 48-01	BALL BEARING		2
3	505 81 61-01	GUIDE		1
4	505 81 63-01	PULLEY MOUNTING BLOCK SMALL		1
5	505 81 62-01	GUIDE ARM MOUNTING BLOCK		1
6	505 63 20-01	WASHER		1
7	505 63 28-01	LK WASH 1/4 SPLIT SS		3
8	505 72 83-01	HEX BOLT 1/4-20 X 1 1/4" ALL T		1
9	505 63 19-01	JAM NUT 1/4-20 STAINLESS STEEL		2
10	505 72 88-01	SHC 1/4-20-1 1/2 S.S.		1
11	505 72 58-01	SHSB 1/4 X 3/4 BLK STL		1
12	505 63 04-01	NYLOC NUT #10-24 CAD.PL.		1
13	505 61 42-01	G.M.WHEEL (YEL)		1
14	505 82 89-01	GUIDE		1
15	505 82 31-01	GUIDE		1
16	505 82 33-01	CABLE		1
17	505 72 81-01	HEX BOLT 1/4-20-2 S.S. ALL THR		1
18	505 62 75-01	HEX BOLT 1/4-20-3/4 S.S.		1

Go to Discount-Equipment.com to order your parts

K SOFF CUT X4000
HANDLE ASSEMBLY



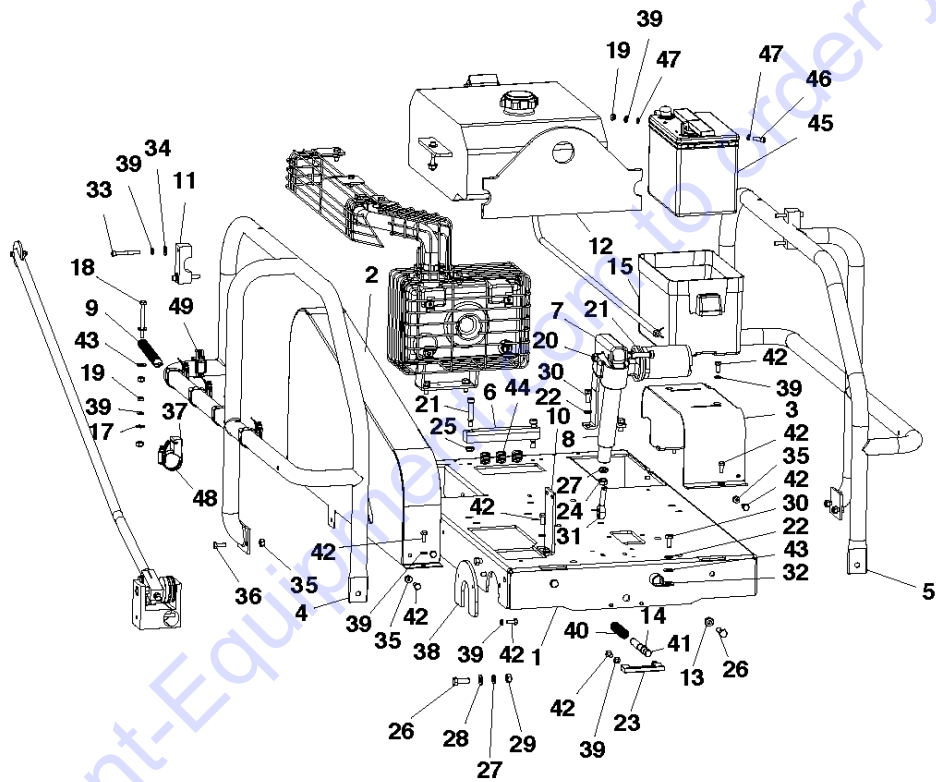
HANDLE

SOFF CUT 4000, 2015-10

Ref	Part No	Description	Remark	QTY KIT
1	505 82 92-01	HANDLE/CONTROL BLOCK		2
2	505 82 93-01	HANDLE		1
3	505 82 94-01	HANDLE		1
4	505 82 91-01	HANDLE		2
5	505 60 11-01	HANDLE GRIP		2
6	505 81 68-01	CONTROL MOUNT BRACKET		1
7	505 82 73-01	THROTTLE CABLE		1
8	505 82 36-01	CONTROL LEVER		1
9	505 82 36-01	CONTROL LEVER		1
10	505 82 24-01	SET SCREW 7/16-20X1/2		2
11	505 77 28-01	SHC 10-32 X 7/8 SS		6
12	505 63 31-01	LK WASH #10 SPLIT SS		4
13	505 82 22-01	NYLOC NUT 10-32 S.S.		2
14	505 83 16-01	ACTUATOR		1
15	510 34 13-01	STICKER. LABEL CONTROL		1
16	505 72 80-01	HEX BOLT 1/4-20-2 3/4 ALL THRD		4
17	505 83 06-01	BRACKET. TRANS PLATE		1
18	505 83 09-01	PUMP RELEASE ARM		1
19	539 97 69-34	SCREW		2
20	505 63 30-01	LK WASH 5/16 SPLIT SS		2
21	539 99 07-17	NUT		1
22	505 77 15-01	SHSB 3/8 X 1 3/4		1
23	505 72 83-01	HEX BOLT 1/4-20 X 1 1/4" ALL T		2
24	505 68 69-01	HEX BOLT 1/4-20 X 1 GRADE 8		2
25	505 63 28-01	LK WASH 1/4 SPLIT SS		8
26	505 63 20-01	WASHER		2
27	505 72 89-01	SHC 1/4-20-2 S.S.		2
28	539 97 69-78	NUT		6
29	505 75 69-01	ACTUATOR		1
30	505 62 74-01	HEX BOLT 1/4-20-5/8 S.S.		4

Go to Discount-Equipment.com to order your parts

R SOFF CUT X4000
MAINFRAME



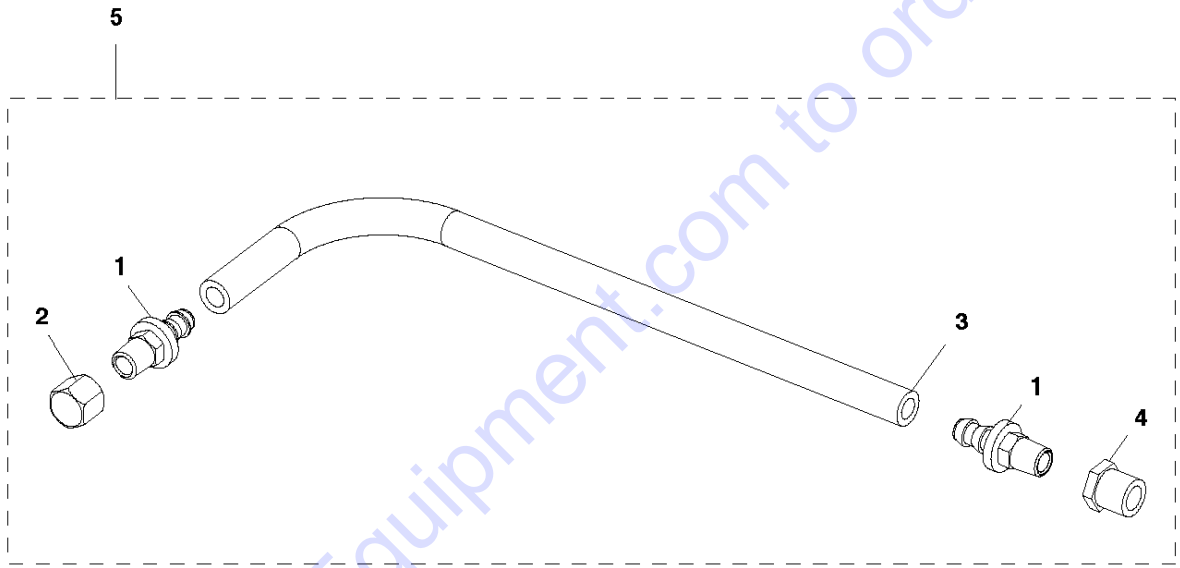
MAINFRAME

SOFF CUT 4000, 2015-10

Ref	Part No	Description	Remark	QTY KIT
1	505 83 03-01	BOTTOM PLATE		1
2	505 83 07-01	BELT GUARD		1
3	505 81 78-01	WHEEL COVER		1
4	505 83 04-01	ROLLCAGE RIGHT		1
5	505 83 05-01	ROLLCAGE LEFT		1
6	505 83 19-01	NEW SPRING BLOCK		1
7	505 83 11-02	ACTUATOR		1
8	505 79 11-02	BLADE		1
9	505 73 73-01	SPRING		1
10	505 83 02-01	SPRING MOUNT BRACKET		1
11	505 82 98-01	GAS TANK MOUNTING BLOCK		2
12	574 28 63-01	LIFTING PLATE		1
13	539 97 69-79	NUT		2
14	505 64 78-01	1/2" SNAP RING		1
15	505 83 60-01	BATTERY COVER		1
17	505 63 20-01	WASHER		1
18	505 72 80-01	HEX BOLT 1/4-20-2 3/4 ALL THRD		1
19	505 63 19-01	JAM NUT 1/4-20 STAINLESS STEEL		2
20	539 99 07-17	NUT		1
21	505 83 35-01	SHSB 3/8 X 1 1/2		3
22	505 63 30-01	LK WASH 5/16 SPLIT SS		3
23	505 71 42-01	GUARD ARBOR LOCK SHAFT		1
24	542 02 01-71	MUTTER/		1
25	505 63 17-01	NYLOC NUT 5/16-18 .265"HT.		2
26	505 83 31-01	HEX BOLT 3/8 - 16 X 1 S.S.		6
27	505 73 10-01	LK WASH 3/8 SPLIT SS		5
28	539 99 05-17	WASHER		2
29	505 83 86-01	JAM NUT 3/8-16 S.S.		2
30	539 97 69-34	SCREW		3
31	542 16 66-90	BALL		1
32	505 77 58-01	HOSE CLAMP		1
33	505 72 89-01	SHC 1/4-20-2 S.S.		4
34	505 72 55-01	FLAT WASH 1/4 PFC9 SAE ZINC		4
35	505 63 05-01	NYLOC NUT 1/4-20 CAD PL.		12
36	505 62 75-01	HEX BOLT 1/4-20-3/4 S.S.		4
37	505 81 92-01	CABLE MOUNT BLOCK		1
38	505 81 57-01	BELT		1
39	505 63 28-01	LK WASH 1/4 SPLIT SS		19
40	505 83 42-01	SPRING		1
41	505 81 69-01	ARBOR LOCK SHAFT		1
42	505 62 74-01	HEX BOLT 1/4-20-5/8 S.S.		19
43	539 99 01-88	WASHER		3
44	505 82 40-01	SPRING		3
45	505 78 62-01	G3000 SEALED AGM BAT		1
46	505 62 78-01	SHC 1/4-20-3/4 S.S.		1
47	505 73 18-01	LK WASH 1/4 EXT TOOTH		2
48	505 82 25-01	CLAMP		1
49	505 83 43-01	CLAMP		5

Go to DiscontinuedParts.com to order your parts

B SOFF CUT X4000
KIT-OIL DRAIN



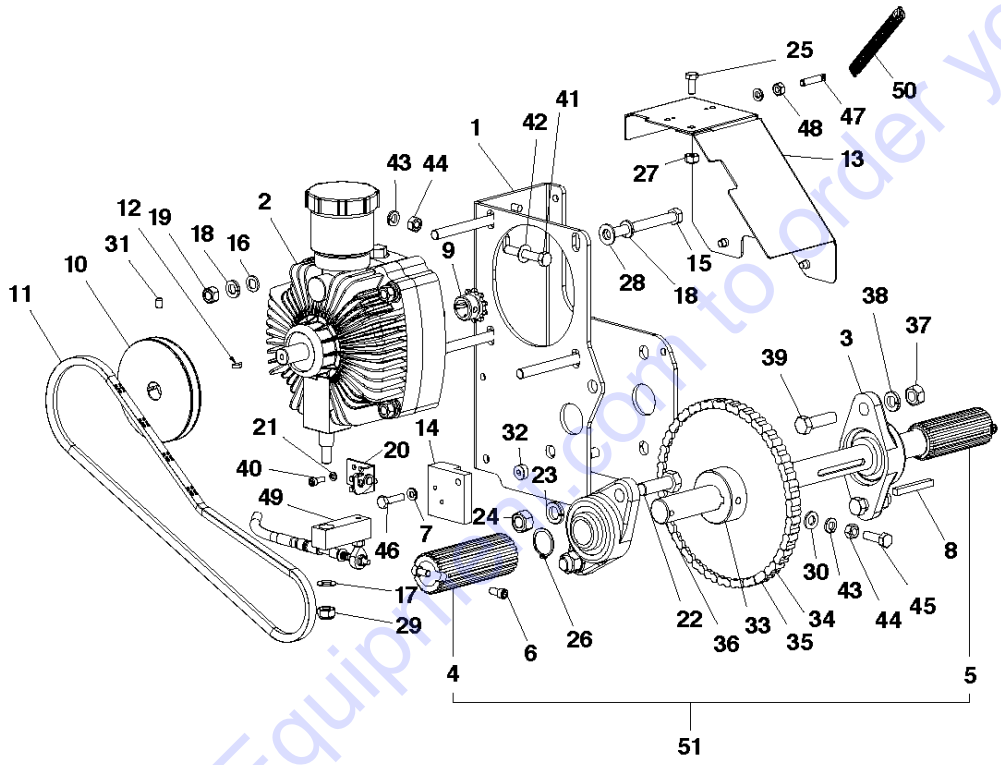
OIL DRAIN

SOFF CUT 4000, 2015-10

Ref	Part No	Description	Remark	QTY KIT
1	505 73 86-01	GATES 6LOC-4RMP PUSH ON FITTIN		2
2	505 77 66-01	DUST CAP FOR OIL DRAIN-RP85123		1
3	505 73 85-01	GATES 6 LOLA+ 3/8 I.D. HOSE		1
4	505 79 64-01	HEX BUSHING		1
5	505 85 75-07	KIT		1

Go to Discount-Equipment.com to order your parts

H SOFF CUT X4000
PUMP ASSEMBLY



Go to Discount-Equipment.com to order your parts

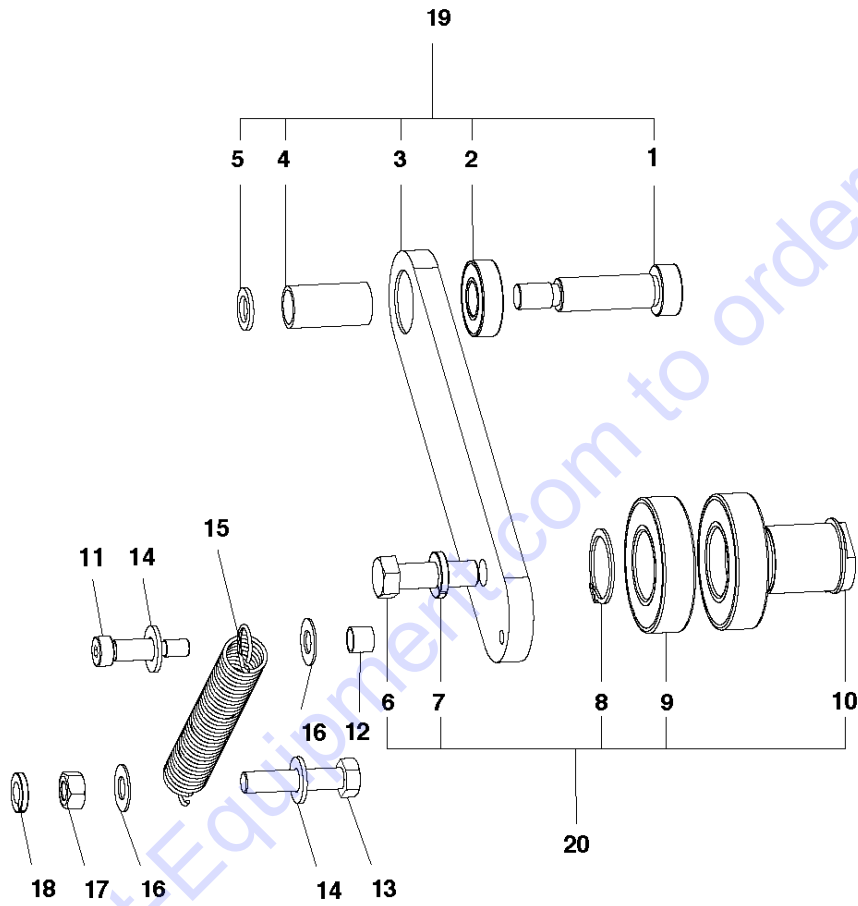
PUMP

SOFF CUT 4000, 2015-10

Ref	Part No	Description	Remark	QTY KIT
1	505 81 84-01	PUMP SUPPORT FRAME		1
2	505 73 83-01	HYDROSTATIC PUMP		1
3	505 68 98-01	BLADE SHAFT		2
4	505 71 51-01	DRIVER		1
5	505 71 52-01	DRIVER		1
6	505 72 23-01	SHC 1/4-20-1/2 S.S		1
7	505 63 28-01	LK WASH 1/4 SPLIT SS		5
8	539 91 02-10	KEY		1
9	587 65 99-01	SPROCKET		1
10	587 93 53-01	PULLEY		1
11	505 48 40-04	BELT		1
12	539 30 07-49	KEY, #3 WOODRUFF		2
13	505 81 85-01	PUMP COVER		1
14	510 34 31-01	BLOCK. CABLE MOUNT		1
15	539 30 08-70	NLA HCS 3/8-16 X 3-1/2 GR 5 ZN		4
16	505 72 40-01	FLAT WASH 3/8 AN 960 WASHERS U		4
17	505 63 42-01	FLAT WSHR.750 X .375 X .031 SS		1
18	505 73 10-01	LK WASH 3/8 SPLIT SS		8
19	539 99 01-30	NUT		4
20	505 66 64-01	BRACKET		1
21	505 63 31-01	LK WASH #10 SPLIT SS		2
22	505 82 11-01	HEX BOLT 1/2 - 13 X 1 1/2 GR 8		2
23	505 73 11-01	LK WASH 1/2 SPLIT SS		2
24	505 73 33-01	1/2-13 HEX NUT GOLD GR.8		2
25	505 62 74-01	HEX BOLT 1/4-20-5/8 S.S.		4
26	542 20 62-05	SNAP RING		4
27	539 97 69-78	NUT		2
28	539 99 05-17	WASHER		4
29	539 97 69-79	NUT		1
30	539 99 01-88	WASHER		1
31	542 02 05-41	SHSS,.25-20 X.375 CUP HK/CONCR		2
32	505 62 71-01	SHSH BOLT 3/8 X 5/8 BLK STL		2
33	505 72 94-01	SHC 10-24 X 1 1/4 STAINLESS S		1
34	505 86 46-01	X2000E&X750(ONLY) DRIVE CHAIN		1
35	505 73 96-01	CONNECTING LINK #35		1
36	505 83 08-01	PUMP SHAFT		1
37	505 73 26-01	NUT		2
38	505 73 12-01	LK WASH 7/16 SPLIT SS		2
39	505 82 14-01	HEX BOLT 7/16-14X 1 1/2 GR 8		2
40	505 72 96-01	SHC 10-32 X 1/2 S.S. CBL MTS		2
41	542 02 05-41	SHSS,.25-20 X.375 CUP HK/CONCR		1
42	505 72 52-01	WASHER		1
43	505 63 30-01	LK WASH 5/16 SPLIT SS		2
44	505 73 24-01	NUT		2
45	505 72 75-01	HEX BOLT 5/16-18-1 CAD GR 5		1
46	505 72 73-01	HEX BOLT 1/4-20-1 STAINLESS ST		1
47	505 77 45-01	SPRING ANCHORS		1
48	505 63 19-01	JAM NUT 1/4-20 STAINLESS STEEL		1
49	505 81 71-01	SPEED CONTROL ARM		1
50	505 73 73-01	SPRING		1
51	505 48 42-02	TUBE		1

Go to [DiscountParts.com](http://www.DiscountParts.com) to order your parts

E SOFF CUT X4000
PUMP IDLER PULLEY



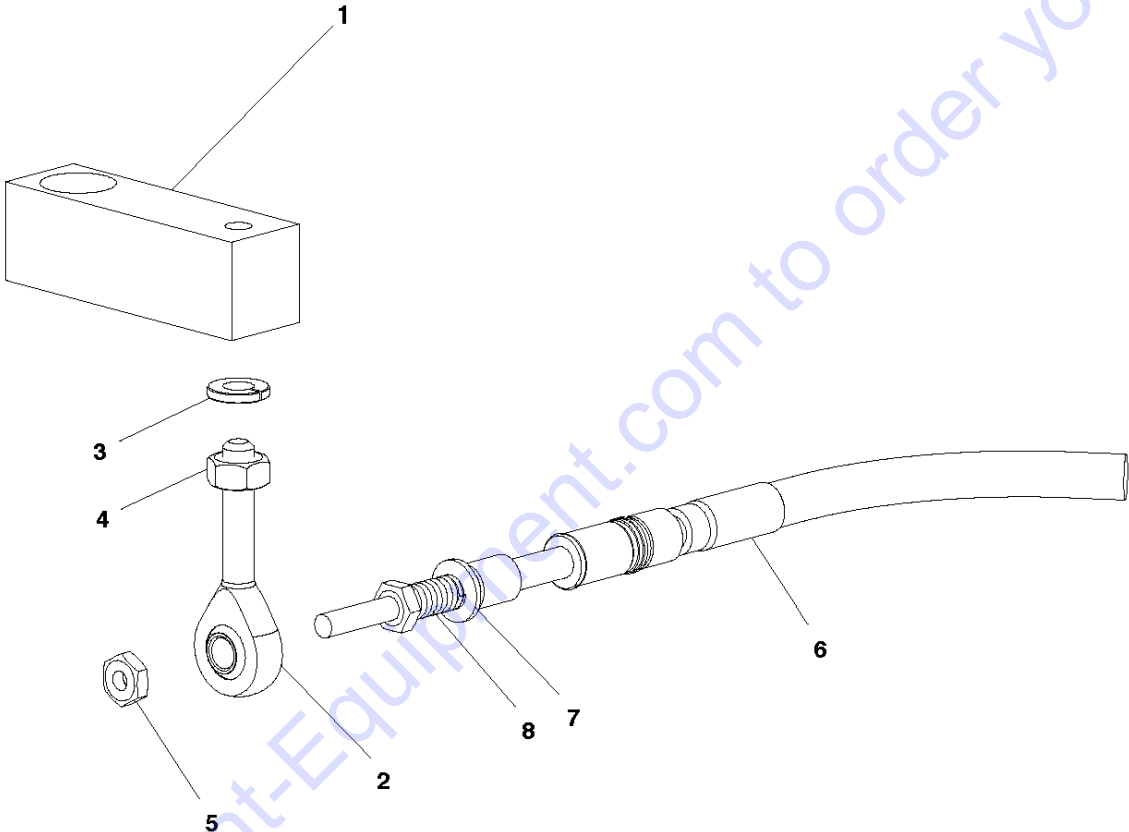
PUMP IDLER PULLEY

SOFF CUT 4000, 2015-10

Ref	Part No	Description	Remark	QTY	KIT
1	523 05 96-08	BOLT		1	19
2	505 65 48-01	BALL BEARING		1	19
3	505 81 59-02	BELT		1	19
4	523 05 94-02	SPACER		1	19
5	505 72 40-01	FLAT WASH 3/8 AN 960 WASHERS U		1	19
6	539 97 69-41	SCREW		1	20
7	505 73 10-01	LK WASH 3/8 SPLIT SS		1	20
8	542 20 62-05	SNAP RING		2	20
9	505 73 63-01	10"WHEEL/ BLK SEAL SINLE LIP		2	20
10	505 70 68-03	SHAFT. BLADE BELT TENSIONER (P		1	20
11	505 72 64-01	SHSB 5/16 X 3/4 BLK STL		1	
12	505 71 79-01	BUSHING.G.A.(.315 SPACER)		1	
13	505 72 78-01	HEX BOLT 5/16-24-1 1/2 CAD GR		1	
14	539 99 01-88	WASHER		2	
15	505 77 46-01	PUMP IDLER PULLEY SPRING		1	
16	505 72 52-01	WASHER		2	
17	505 73 28-01	5/16-24 HEX JAM NUT ZINC		1	
18	505 63 30-01	LK WASH 5/16 SPLIT SS		1	
19	505 85 99-02	KIT		1	
20	505 48 46-02	KIT		1	

Go to Discount-Equipment.com to order your parts

J SOFF CUT X4000
KIT - SPEED CONTROL



SPEED CONTROL

SOFF CUT 4000, 2015-10

Ref	Part No	Description	Remark	QTY KIT
1	505 81 71-01	SPEED CONTROL ARM		1
2	505 74 34-01	ROD END 1/4" PLATED		1
3	505 63 28-01	LK WASH 1/4 SPLIT SS		1
4	505 73 29-01	1/4-28 HEX JAM NUT ZINC		1
5	505 73 30-01	NUT		1
6	505 82 30-01	CONTROL CABLE		1
7	505 63 53-01	FLAT WASH #10 S.S		1
8	510 34 44-01	SPRING. SPEED CONTROL		1

Go to Discount-Equipment.com to order your parts

PARTS FINDER

**Search Website
by Part Number**



**Search Manual
Library For Parts
Manual & Lookup Part
Numbers – Purchase
or Request Quote**

Search Manuals

Enter your information to help us find the right parts manual for your machine.

* Brand:

* Model:

* Serial:

* Part Number:

SEARCH

**Can't Find Part or
Manual? Request Help
by Manufacturer,
Model & Description**

Parts Order Form

Please fill in the following information to help us find the right part for your machine.

Manufacturer:	<input type="text"/>
Model:	<input type="text"/>
Description:	<input type="text"/>
Part Number:	<input type="text"/>
Quantity:	<input type="text"/>
Notes:	<input type="text"/>

Discount-Equipment.com is your online resource for quality parts & equipment.

Florida: **561-964-4949** Outside Florida TOLL FREE: **877-690-3101**

Need parts?

Click on this link: <http://www.discount-equipment.com/category/5443-parts/> and choose one of the options to help get the right parts and equipment you are looking for. Please have the machine model and serial number available in order to help us get you the correct parts. If you don't find the part on the website or on one of the online manuals, please fill out the request form and one of our experienced staff members will get back to you with a quote for the right part that your machine needs.

We sell worldwide for the brands: Genie, Terex, JLG, MultiQuip, Mikasa, Essick, Whiteman, Mayco, Toro Stone, Diamond Products, Generac Magnum, Airman, Haulotte, Barreto, Power Blanket, Nifty Lift, Atlas Copco, Chicago Pneumatic, Allmand, Miller Curber, Skyjack, Lull, Skytrak, Tsurumi, Husquvarna Target, Stow, Wacker, Sakai, Mi-T-M, Sullair, Basic, Dynapac, MBW, Weber, Bartell, Bennar Newman, Haulotte, Ditch Runner, Menegotti, Morrison, Contec, Buddy, Crown, Edco, Wyco, Bomag, Laymor, EZ Trench, Bil-Jax, F.S. Curtis, Gehl Pavers, Heli, Honda, ICS/PowerGrit, IHI, Partner, Imer, Clipper, MMD, Koshin, Rice, CH&E, General Equipment, Amida, Coleman, NAC, Gradall, Square Shooter, Kent, Stanley, Tamco, Toku, Hatz, Kohler, Robin, Wisconsin, Northrock, Oztec, Toker TK, Rol-Air, APT, Wylie, Ingersoll Rand / Doosan, Innovatech, Con X, Ammann, Mecalac, Makinex, Smith Surface Prep, Small Line, Wanco, Yanmar