



SPARE PARTS LIST

EARLY ENTRY SAWS

SOFF CUT 4000, 2022-04

Go to Discount-Equipment.com to order your parts



PARTS FINDER

**Search Website
by Part Number**



**Search Manual
Library For Parts
Manual & Lookup Part
Numbers – Purchase
or Request Quote**

Search Manuals

Enter your information to help us find the right parts manual for your machine.

* Brand:

* Model:

* Serial:

* Part Number:

SEARCH

**Can't Find Part or
Manual? Request Help
by Manufacturer,
Model & Description**

Parts Order Form

Please fill in the following information to help us find the right part for your machine.

MANUFACTURER:

MODEL:

DESCRIPTION:

DATE:

NAME:

PHONE:

EMAIL:

ADDRESS:

CITY:

STATE:

ZIP:

REQUEST QUOTE

Discount-Equipment.com is your online resource for quality parts & equipment.

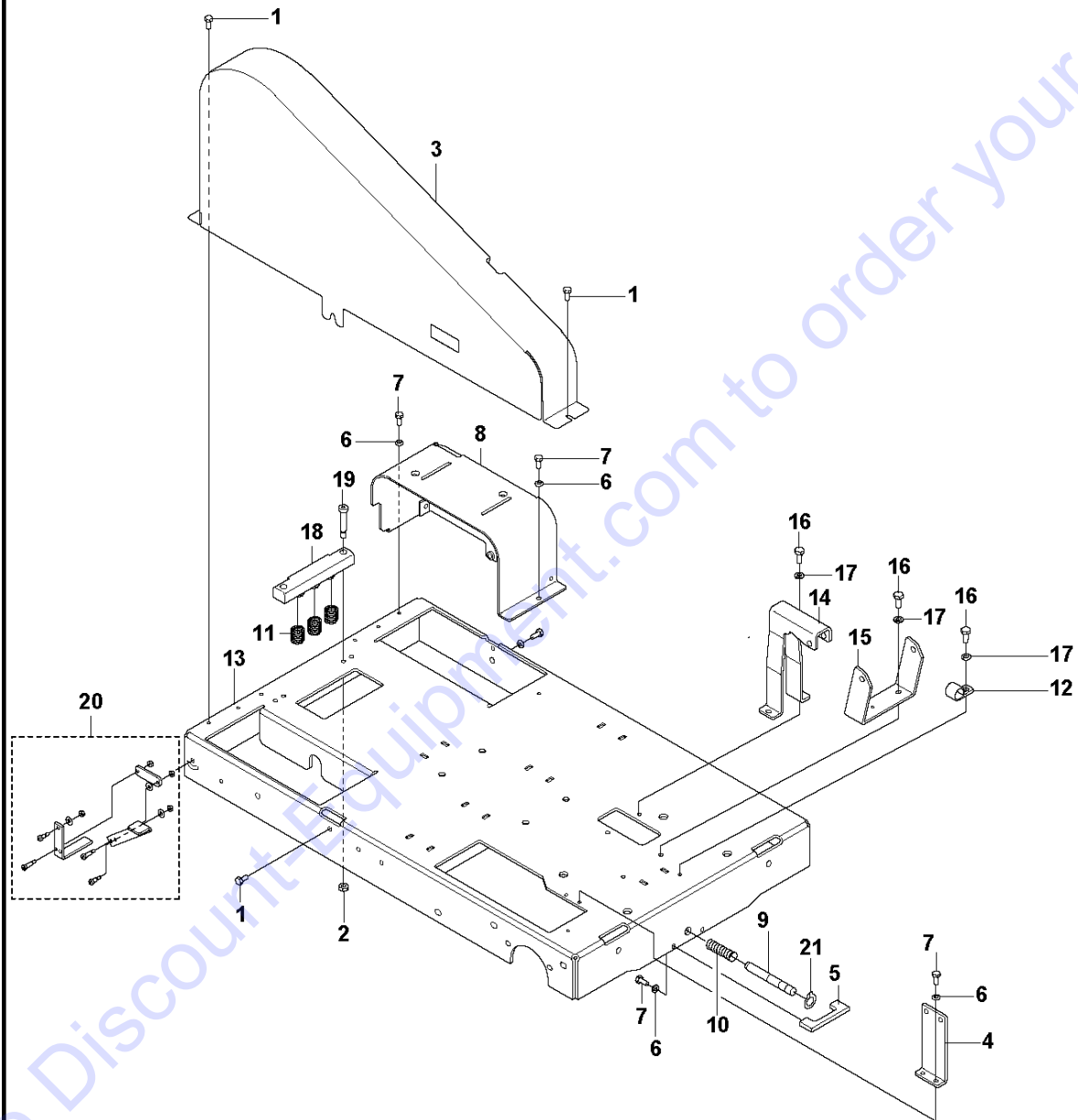
Florida: **561-964-4949** Outside Florida TOLL FREE: **877-690-3101**

Need parts?

Click on this link: <http://www.discount-equipment.com/category/5443-parts/> and choose one of the options to help get the right parts and equipment you are looking for. Please have the machine model and serial number available in order to help us get you the correct parts. If you don't find the part on the website or on one of the online manuals, please fill out the request form and one of our experienced staff members will get back to you with a quote for the right part that your machine needs.

We sell worldwide for the brands: Genie, Terex, JLG, MultiQuip, Mikasa, Essick, Whiteman, Mayco, Toro Stone, Diamond Products, Generac Magnum, Airman, Haulotte, Barreto, Power Blanket, Nifty Lift, Atlas Copco, Chicago Pneumatic, Allmand, Miller Curber, Skyjack, Lull, Skytrak, Tsurumi, Husquvarna Target, Stow, Wacker, Sakai, Mi-T-M, Sullair, Basic, Dynapac, MBW, Weber, Bartell, Bennar Newman, Haulotte, Ditch Runner, Menegotti, Morrison, Contec, Buddy, Crown, Edco, Wyco, Bomag, Laymor, EZ Trench, Bil-Jax, F.S. Curtis, Gehl Pavers, Heli, Honda, ICS/PowerGrit, IHI, Partner, Imer, Clipper, MMD, Koshin, Rice, CH&E, General Equipment, Amida, Coleman, NAC, Gradall, Square Shooter, Kent, Stanley, Tamco, Toku, Hatz, Kohler, Robin, Wisconsin, Northrock, Oztec, Toker TK, Rol-Air, APT, Wylie, Ingersoll Rand / Doosan, Innovatech, Con X, Ammann, Mecalac, Makinex, Smith Surface Prep, Small Line, Wanco, Yanmar

A SOFF CUT 4000
FRAME



Go to DiscountEquipment.com to order your parts

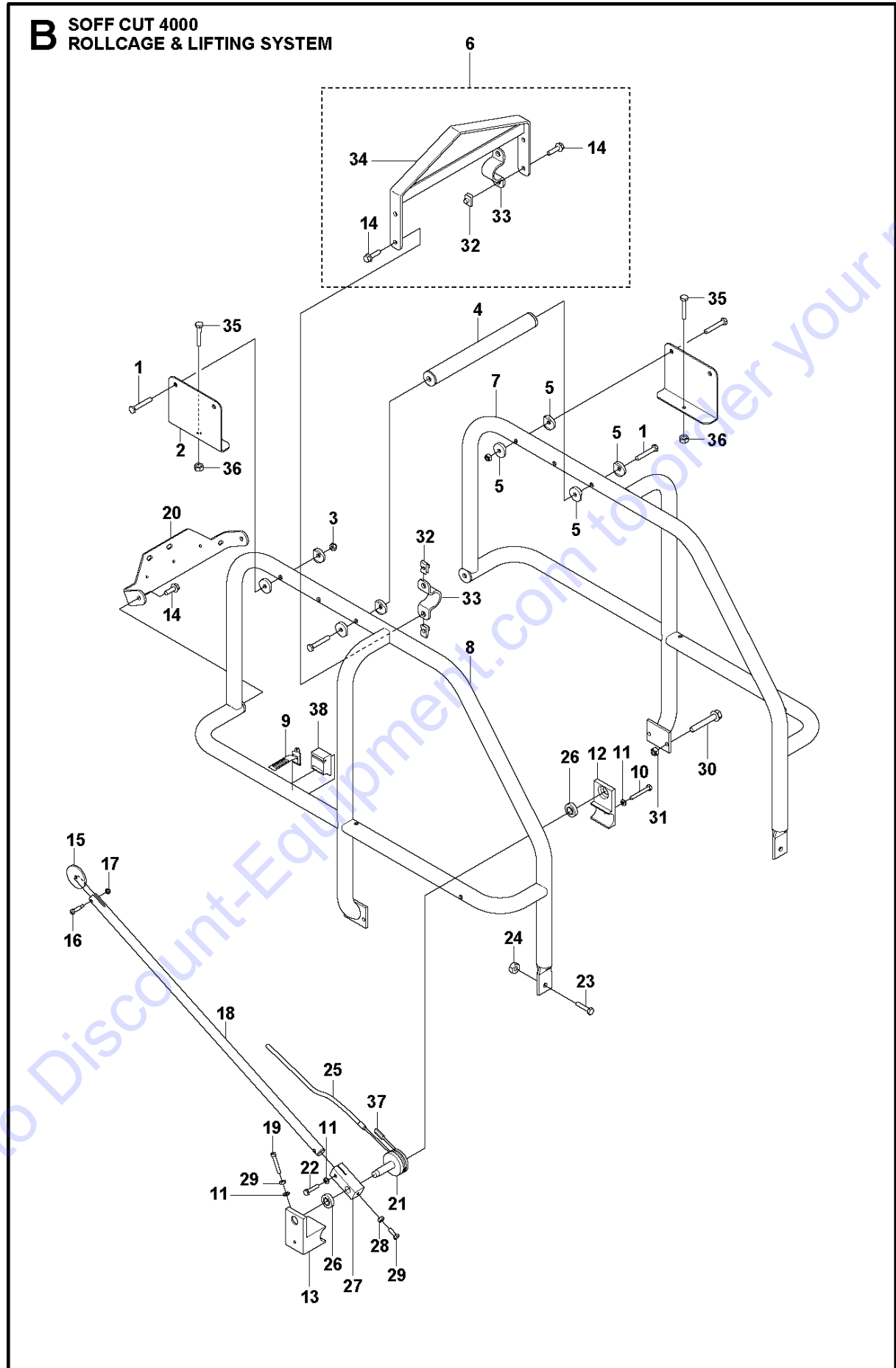
FRAME

SOFF CUT 4000, 2022-04

Ref	Part No	Description	Remark	QTY KIT
1	590 96 06-01	SCREW		3
2	505 63 17-01	NUT		2
3	579 86 51-01	BELT GUARD		1
4	505 83 02-01	BRACKET		1
5	505 71 42-01	SHAFT		1
6	505 63 28-01	WASHER		7
7	505 62 74-01	BOLT		7
8	505 81 78-01	WHEEL COVER		1
9	505 81 69-01	SHAFT		1
10	505 83 42-01	SPRING		1
11	505 82 40-01	SPRING		3
12	542 16 66-76	CLAMP		1
13	505 83 03-01	PLATE		1
14	505 83 11-02	BRACKET		1
15	505 81 86-01	BRACKET		1
16	539 97 69-34	SCREW		2
17	505 63 30-01	WASHER		4
18	505 83 19-01	BLOCK		1
19	505 83 35-01	BOLT		2
20	596 50 12-01	PARKING BRAKE	"CE version only; Service only"	1
21	505 64 78-01	SNAP RING		1

Go to Discount-Equipment.com to order your parts

B SOFF CUT 4000
ROLLCAGE & LIFTING SYSTEM

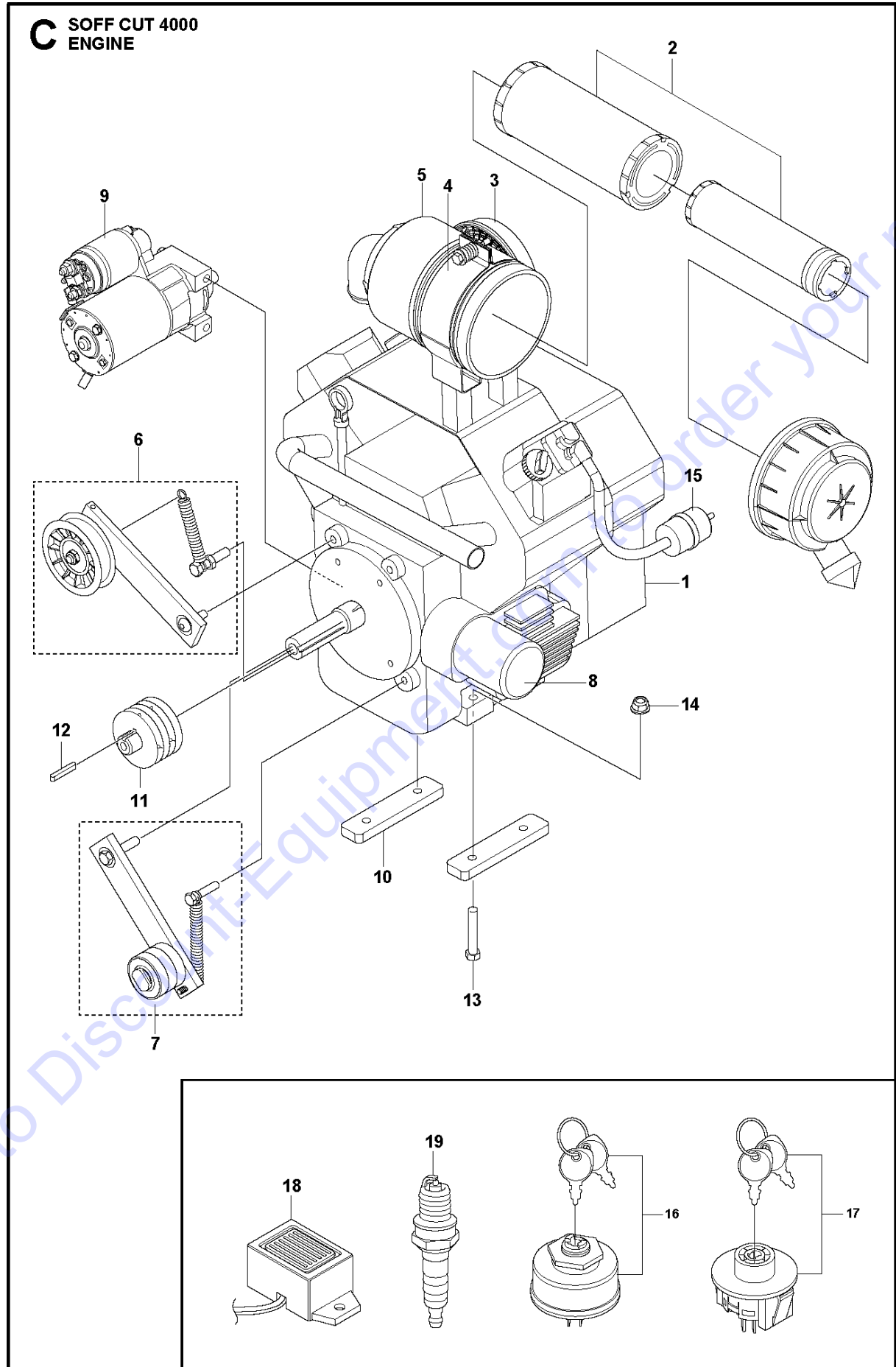


ROLLCAGE & LIFTING SYSTEM

SOFF CUT 4000, 2022-04

Ref	Part No	Description	Remark	QTY	KIT
1	725 24 61-51	SCREW EHHM		6	
2	589 58 10-01	PLATE		2	
3	732 25 18-01	HEXAGON LOCKING NUT		4	
4	589 57 96-01	PIPE ASSY		1	
5	542 20 21-84	WASHER		12	
6	593 00 28-01	BAIL	Service only	1	
7	589 57 93-01	PIPE ASSY		1	
8	589 57 94-01	PIPE ASSY		1	
9	505 82 25-01	CLAMP		1	
10	505 72 81-01	BOLT		1	
11	505 63 28-01	WASHER		3	
12	505 81 63-01	BLOCK		1	
13	505 81 64-01	BLOCK		1	
14	539 30 07-70	NUT		6	6
15	505 61 42-01	DISC		1	
16	505 72 58-01	BOLT		1	
17	505 63 04-01	NUT		1	
18	505 82 89-01	GUIDE		1	
19	505 72 89-01	BOLT		1	
20	590 47 25-01	BRACKET		1	
21	505 81 61-01	GUIDE		1	
22	505 72 83-01	BOLT		1	
23	505 83 31-01	BOLT		2	
24	539 97 69-79	NUT		2	
25	505 82 31-01	GUIDE		1	
26	505 65 48-01	BALL BEARING		2	
27	505 81 62-01	ARM		1	
28	505 63 19-01	NUT		2	
29	505 62 75-01	BOLT		1	
30	586 12 02-01	SCREW EHHFM		4	
31	732 25 16-01	HEXAGON LOCKING NUT		6	
32	731 71 18-51	HEXAGON NUT FLANGE		4	6
33	579 76 26-01	LOCKING PLATE		2	6
34	597 48 68-01	BRACKET		1	6
35	725 23 79-51	SCREW EHHM		2	
36	732 25 16-01	HEXAGON LOCKING NUT		2	
37	505 82 33-01	CABLE		1	
38	505 81 92-01	BLOCK		1	

Go to Discount-Equipment.com to order your parts



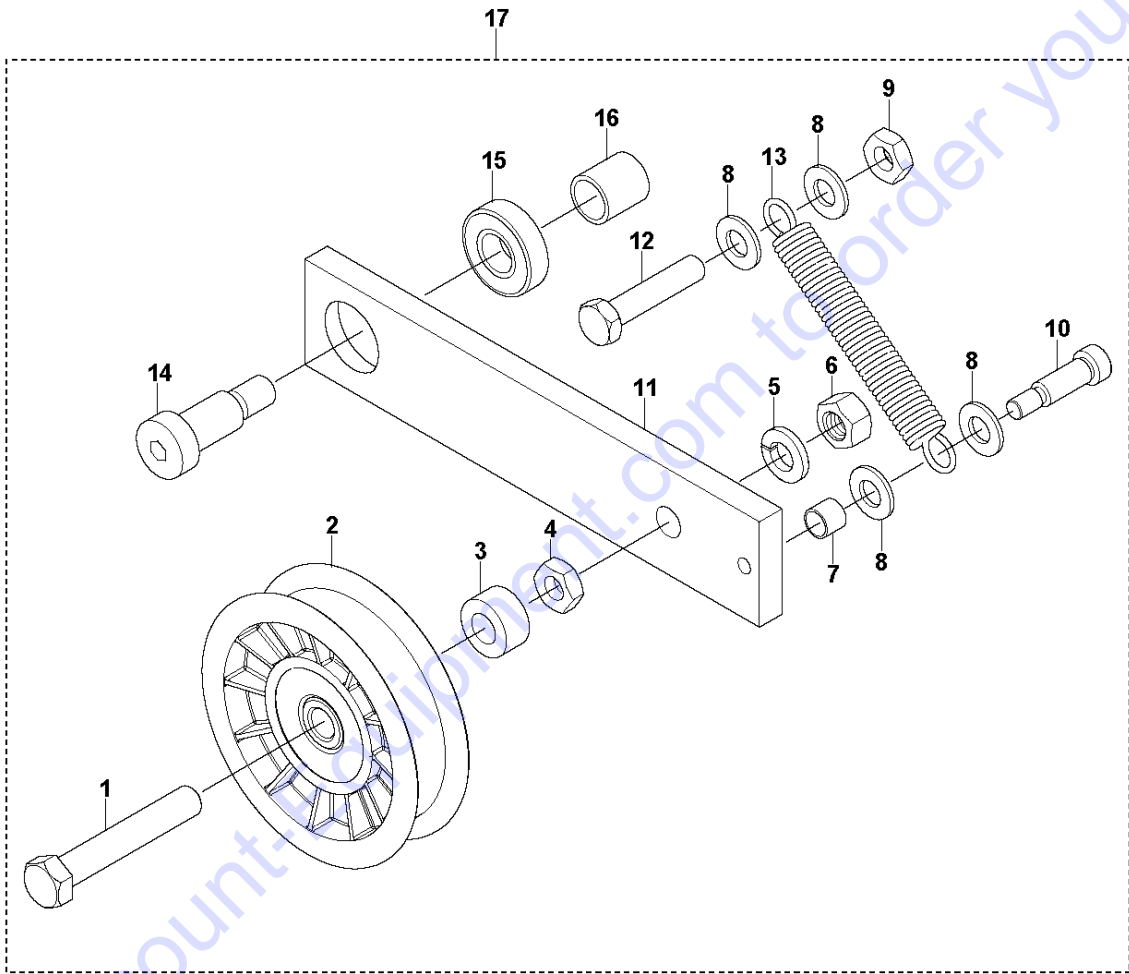
ENGINE

SOFF CUT 4000, 2022-04

Ref	Part No	Description	Remark	QTY KIT
1	597 76 09-01	ENGINE	Engine	1
2	505 48 23-06	FILTER	Air filter element 2-pack	1
2	536 97 59-01	AIR FILTER	AIR FILTER 1-PACK X4000 GX4200 and X5000	1
3	505 83 63-01	HOOD		1
4	505 79 33-01	BRACE		1
5	505 83 61-01	AIR CLEANER		1
6	587 54 21-02	ARM	KIT, Pump Idler, Page D	1
7	587 54 21-01	ARM	KIT, Blade shaft idler, Page E	1
8	505 79 74-01	OIL FILTER	Oil filter	1
9	505 48 43-02	STARTER	Starter	1
10	501 08 06-01	PLATE		2
11	587 93 57-02	PULLEY		1
12	539 91 02-10	KEY		1
13	581 24 33-01	SCREW EHHFM		4
14	576 64 57-05	NUT FLANGE		4
15	505 79 82-01	FUEL FILTER	Fuel filter	1
16	505 79 76-01	KEY SWITCH	Key switch - METAL BODY	
17	505 79 76-02	KEY SWITCH	Key switch - PLASTIC BODY	1
18	505 75 47-01	BUZZER	BUZZER	1
19	505 66 66-01	SPARK PLUG	Spark plug	1

Go to Discount-Equipment.com to order your parts

D SOFF CUT 4000
PUMP IDLER PULLEY

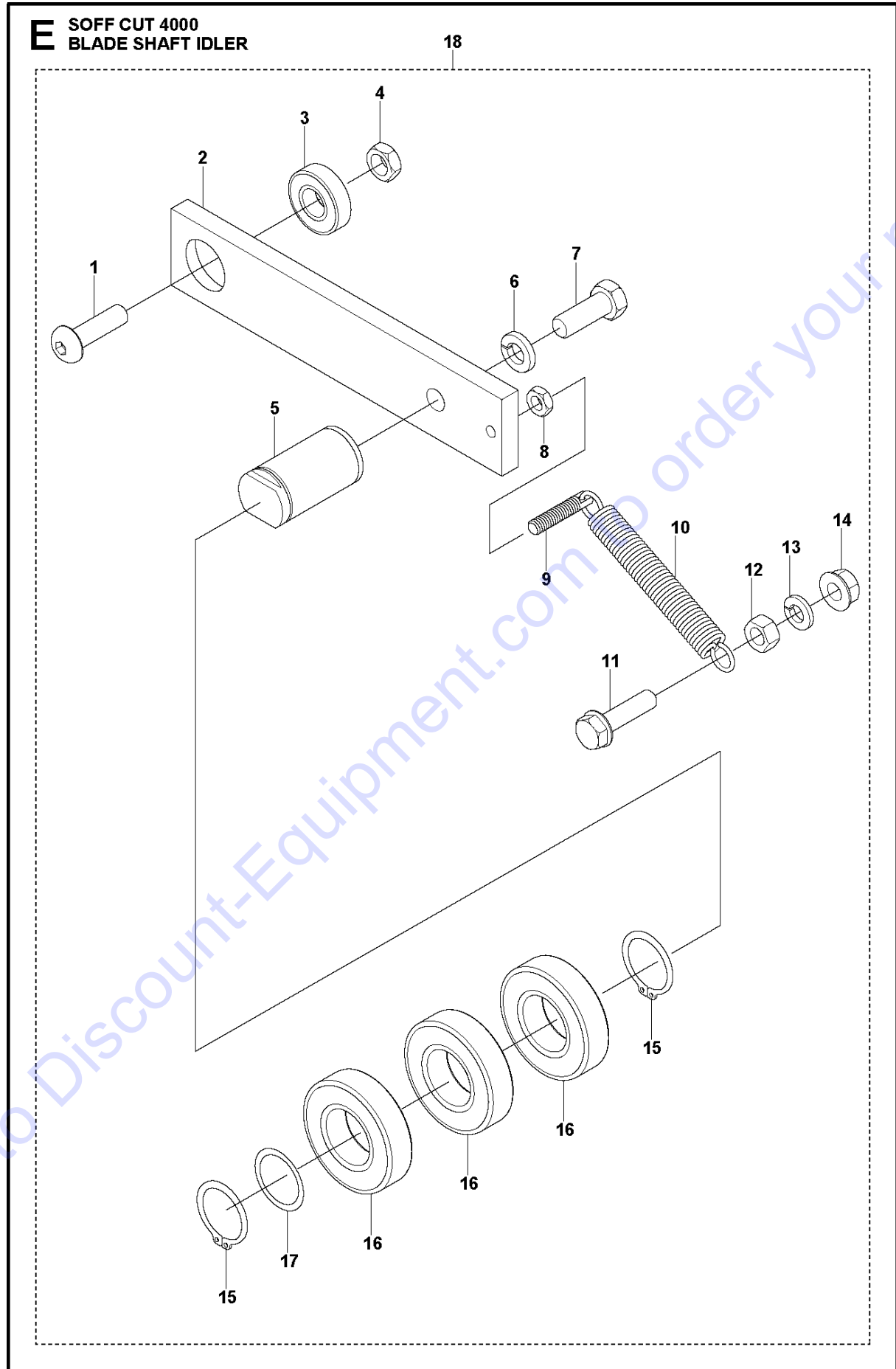


PUMP IDLER PULLEY

SOFF CUT 4000, 2022-04

Ref	Part No	Description	Remark	QTY	KIT
1	542 02 03-65	SCREW		1	17
2	542 17 25-56	PULLEY ASSY		1	17
3	523 23 06-01	SHAFT		1	17
4	505 73 25-01	NUT		1	17
5	539 99 01-18	WASHER		1	17
6	539 99 01-30	NUT		1	17
7	505 71 79-01	BUSHING		1	17
8	539 99 01-88	WASHER		4	17
9	505 73 28-01	NUT		1	17
10	505 72 64-01	BOLT		1	17
11	594 06 03-01	ARM		1	17
12	505 72 78-01	BOLT		1	17
13	505 77 46-01	SPRING		1	17
14	523 05 96-05	BOLT		1	17
15	505 65 48-01	BALL BEARING		1	17
16	523 05 94-01	SPACER		1	17
17	587 54 21-02	ARM		1	

Go to Discount-Equipment.com to order your parts



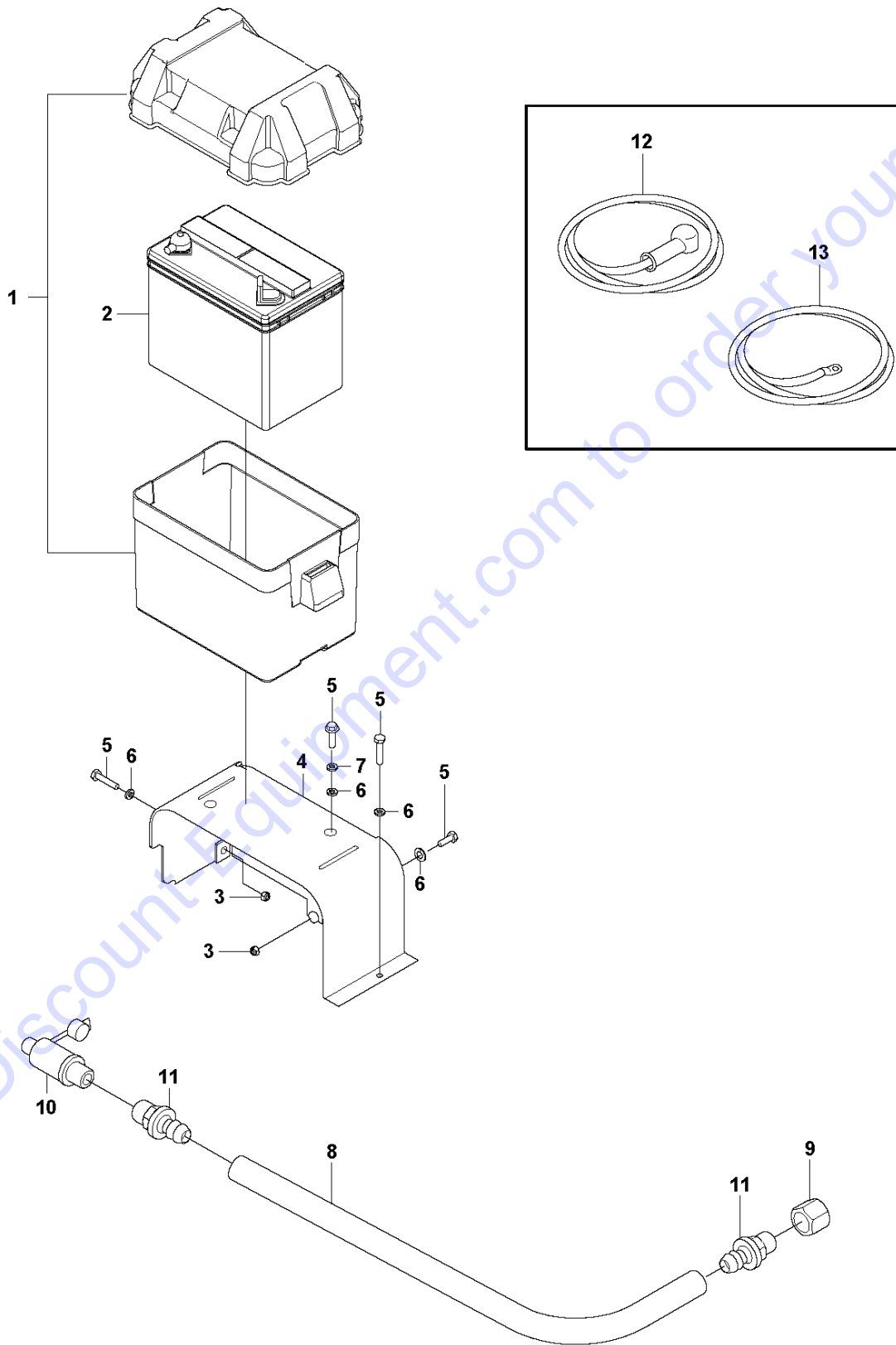
BLADE SHAFT IDLER

SOFF CUT 4000, 2022-04

Ref	Part No	Description	Remark	QTY	KIT
1	574 19 11-01	SCREW		1	18
2	594 06 03-01	ARM		1	18
3	505 65 48-01	BALL BEARING		1	18
4	505 73 25-01	NUT		1	18
5	505 70 68-01	BLADE		1	18
6	505 73 10-01	WASHER		1	18
7	539 99 05-63	SCREW		1	18
8	505 63 19-01	NUT		1	18
9	505 77 45-01	ANCHOR		1	18
10	505 73 73-01	SPRING		1	18
11	585 97 28-01	SCREW EHHFM		1	18
12	731 23 18-01	HEXAGON NUT		1	18
13	505 63 30-01	WASHER		1	18
14	731 71 18-51	HEXAGON NUT FLANGE		1	18
15	542 20 62-05	SNAP RING		2	18
16	505 73 63-01	WHEEL		3	18
17	505 73 69-01	SHIM		1	18
18	587 54 21-01	ARM		1	

Go to Discount-Equipment.com to order your parts

F SOFF CUT 2000
OIL DRAIN & BATTERY



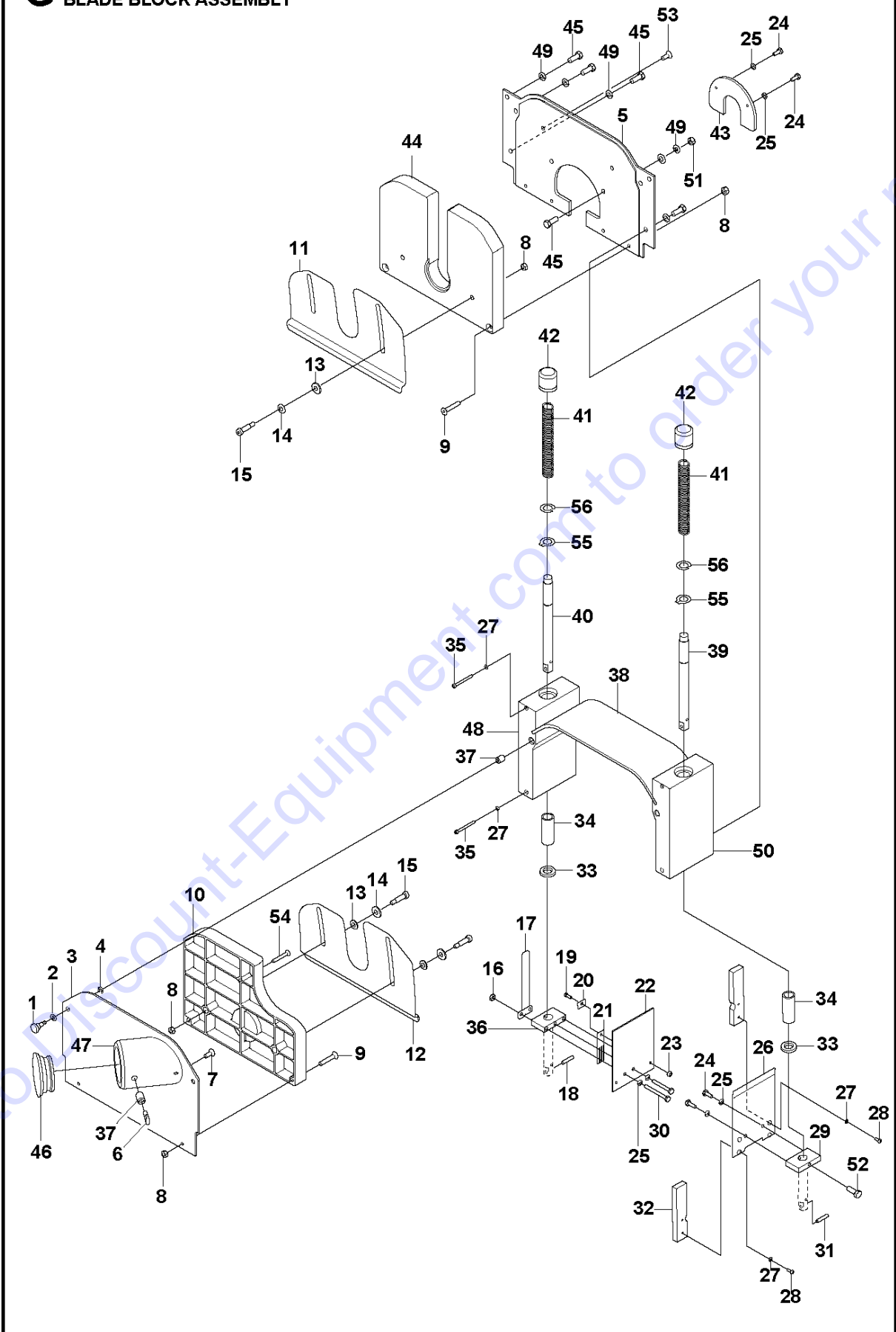
OIL DRAIN & BATTERY

SOFF CUT 4000, 2022-04

Ref	Part No	Description	Remark	QTY KIT
1	505 83 60-01	COVER		1
2	522 95 02-01	BATTERY		1
3	539 97 69-78	NUT		2
4	505 81 78-01	WHEEL COVER		1
5	505 62 74-01	BOLT		7
6	505 63 28-01	WASHER		5
7	734 11 54-41	WASHER		2
8	505 73 85-01	HOSE		1
9	505 77 66-01	CAP		1
10	505 79 64-01	BUSHING		1
11	505 73 86-01	FITTING		2
12	576 38 90-34	WIRE	WIRE, MISC, 20.5" RED BATTERY	1
13	576 38 90-36	WIRE	WIRE, X4000 18" BLK BATTERY	1

Go to Discount-Equipment.com to order your parts

G SOFF CUT 4000
BLADE BLOCK ASSEMBLY



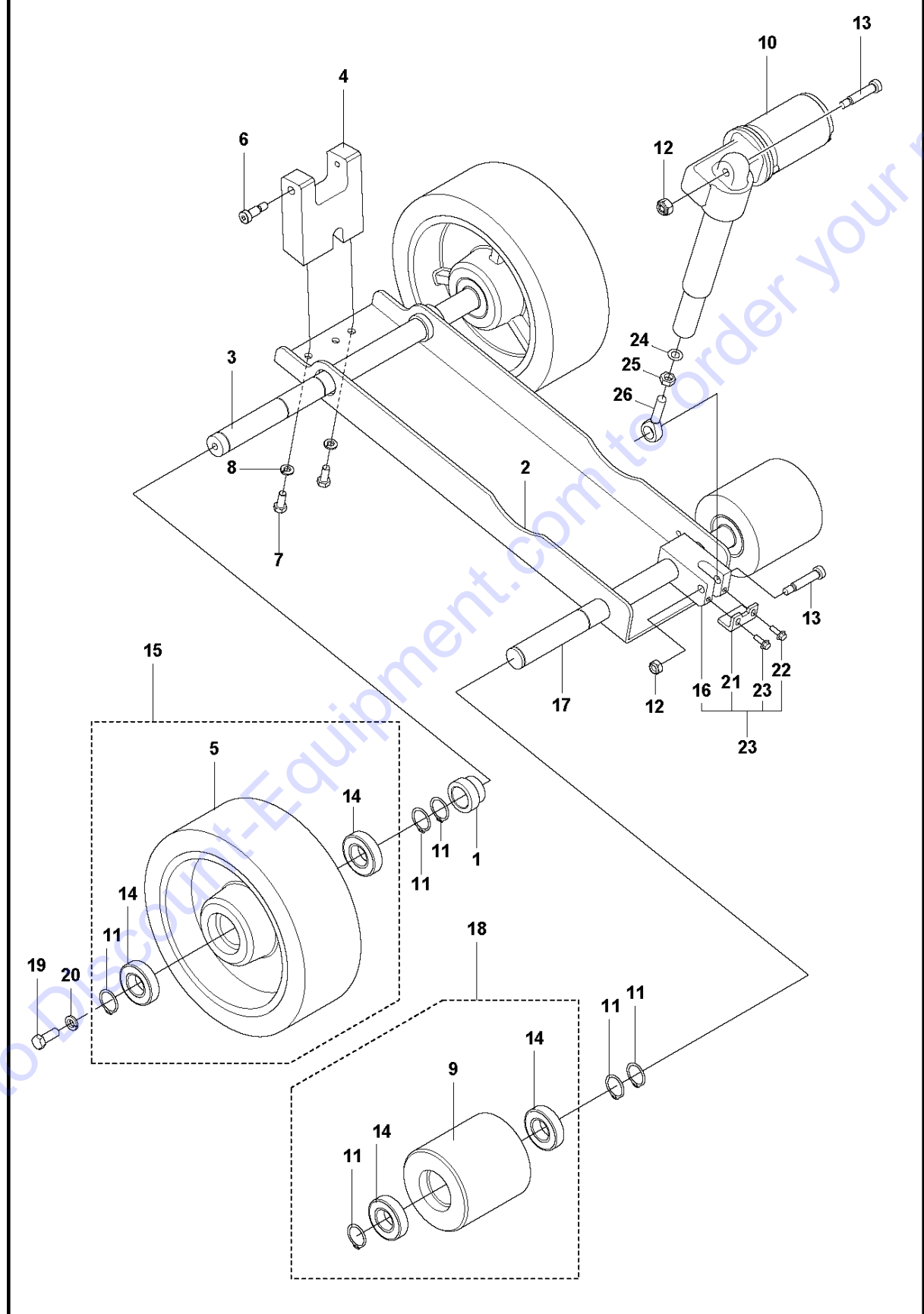
BLADE BLOCK

SOFF CUT 4000, 2022-04

Ref	Part No	Description	Remark	QTY KIT
1	505 53 63-01	KNOB		2
2	505 53 64-01	WASHER		2
3	505 83 24-01	COVER		1
4	505 53 65-01	E-CLIP		2
5	596 93 47-01	COVER		1
6	505 79 61-01	SCREW		1
7	505 73 05-01	SCREW		3
8	505 73 24-01	NUT		4
9	505 83 39-01	SCREW		4
10	593 65 41-01	BLOCK		1
11	529 60 40-01	COVER		1
12	529 60 39-01	COVER		1
13	505 63 45-01	WASHER		8
14	505 63 42-01	WASHER		4
15	510 32 53-01	BOLT		4
16	505 63 07-01	NUT		2
17	505 83 17-01	ARM		1
18	587 91 82-01	PIN		1
19	505 77 24-01	SCREW		2
20	505 76 91-01	BAR		2
21	505 76 92-01	FLAP		2
22	505 82 88-01	REAR AXLE		1
23	505 63 04-01	NUT		2
24	505 62 75-01	BOLT		3
25	505 63 28-01	WASHER		3
26	505 82 87-01	PLATE		1
27	505 63 31-01	WASHER		6
28	505 62 98-01	SCREW		4
29	505 83 98-01	BLOCK		1
30	505 72 81-01	BOLT		2
31	505 77 40-01	PIN		1
32	534 99 63-01	BLOCK	New Angled block diverter	2
33	505 73 80-01	SEAL		2
34	505 66 78-01	SHAFT		2
35	505 83 37-01	SCREW		4
36	505 66 49-01	BLOCK		1
37	505 74 83-01	INSERT		3
38	505 82 85-01	COVER		1
39	505 82 83-01	SHAFT		1
40	505 82 84-01	SHAFT		1
41	505 79 07-01	BLADE		2
42	505 83 14-01	CAP		2
43	505 81 57-01	BELT		1
44	593 65 40-01	BLOCK		1
45	505 83 31-01	BOLT		6
46	593 21 44-01	PLUG		1
47	591 35 71-01	TUBE		1
48	505 82 77-01	REAR AXLE		1
49	505 73 10-01	WASHER		6
50	505 82 78-01	FRONT AXLE ASSY		1
51	539 99 01-96	NUT		4
52	505 72 73-01	BOLT		1
53	505 62 88-01	SCREW		2
54	505 73 03-01	SCREW		1
55	505 73 36-01	SNAP RING		2
56	541 40 14-72	RING		2

Go to DiscountEquipment.com to order your parts

H SOFF CUT 4000
FRONT WHEEL CARRIAGE



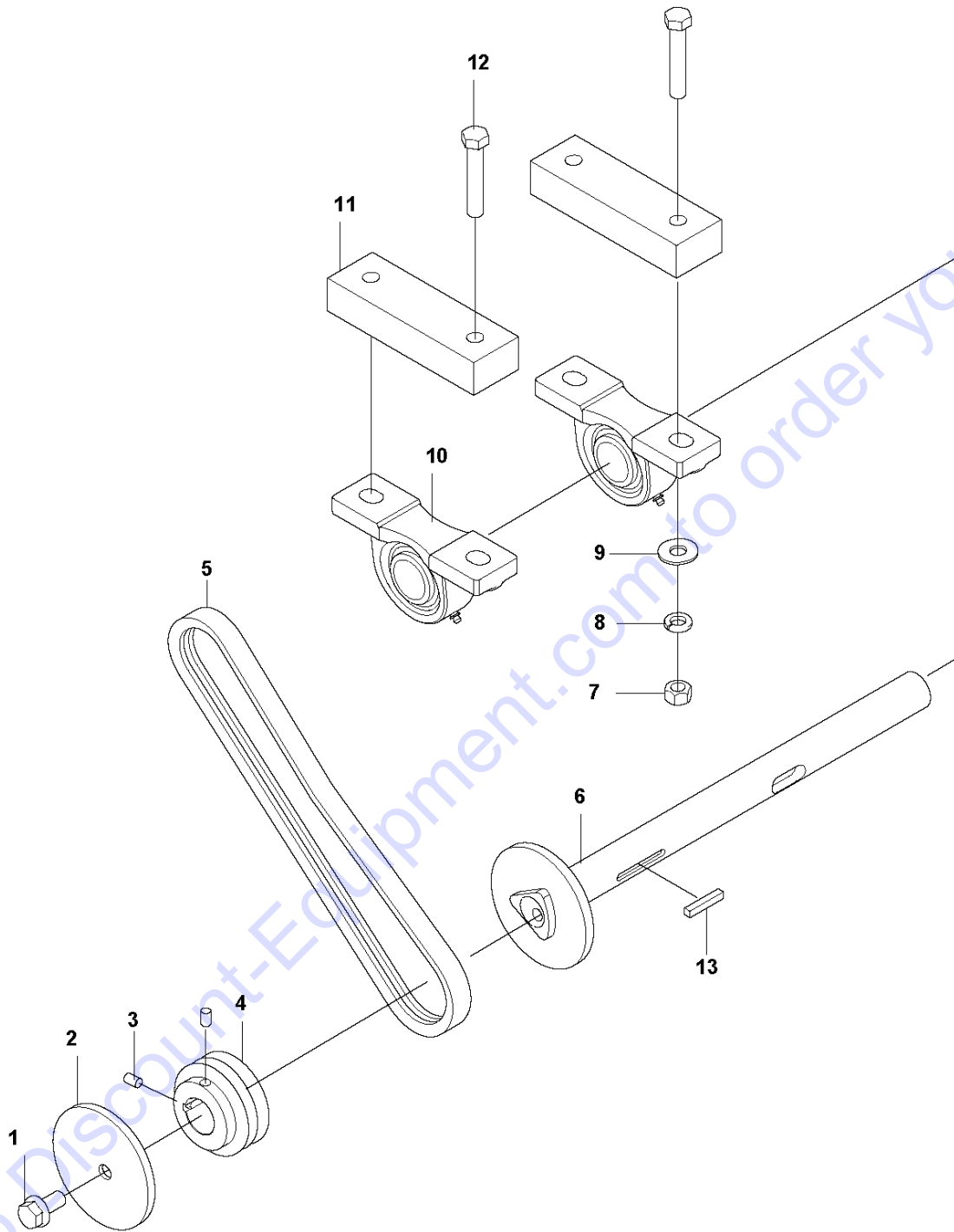
FRONT WHEEL CARRIAGE

SOFF CUT 4000, 2022-04

Ref	Part No	Description	Remark	QTY	KIT
1	505 65 51-01	BUSHING		2	
2	505 83 01-01	WHEEL		1	
3	505 82 99-01	AXLE		1	
4	505 81 91-01	BLOCK		1	
5	505 82 38-01	WHEEL		2	15
6	505 62 71-01	BOLT		1	
7	539 97 69-34	SCREW		2	
8	505 63 30-01	WASHER		2	
9	505 82 37-01	WHEEL		2	18
10	505 79 11-02	ACTUATOR		1	
11	542 20 62-05	SNAP RING		12	18,15
12	505 63 04-01	NUT		2	
13	505 83 35-01	BOLT		2	
14	505 73 63-01	WHEEL		8	18,15
15	505 86 45-01	WHEEL	Wheel kit	1	
16	529 85 80-01	BRACKET	Old bracket actuator 505831002	1	23
17	505 81 73-01	AXLE		1	
18	505 86 44-01	WHEEL	Wheel kit	1	
19	505 83 31-01	BOLT		1	
20	505 73 10-01	WASHER		1	
21	531 19 69-01	BRACKET	Bracket carriage	1	23
22	590 96 06-01	SCREW	Screw	2	23
23	536 65 17-01	BRACKET	Braket kit	1	
24	505 73 10-01	WASHER	SPLIT 3/8" S.S.	1	
25	542 02 01-71	NUT	HEX JAM THIN .375-24 Z/P	1	
26	505 74 34-02	ROD END	3/8-24, plated	1	

Go to Discount-Equipment.com to Order your parts

**SOFF CUT 4000
BLADE SHAFT ASSEMBLY**



Go to Discount-Equipment.com to order your parts

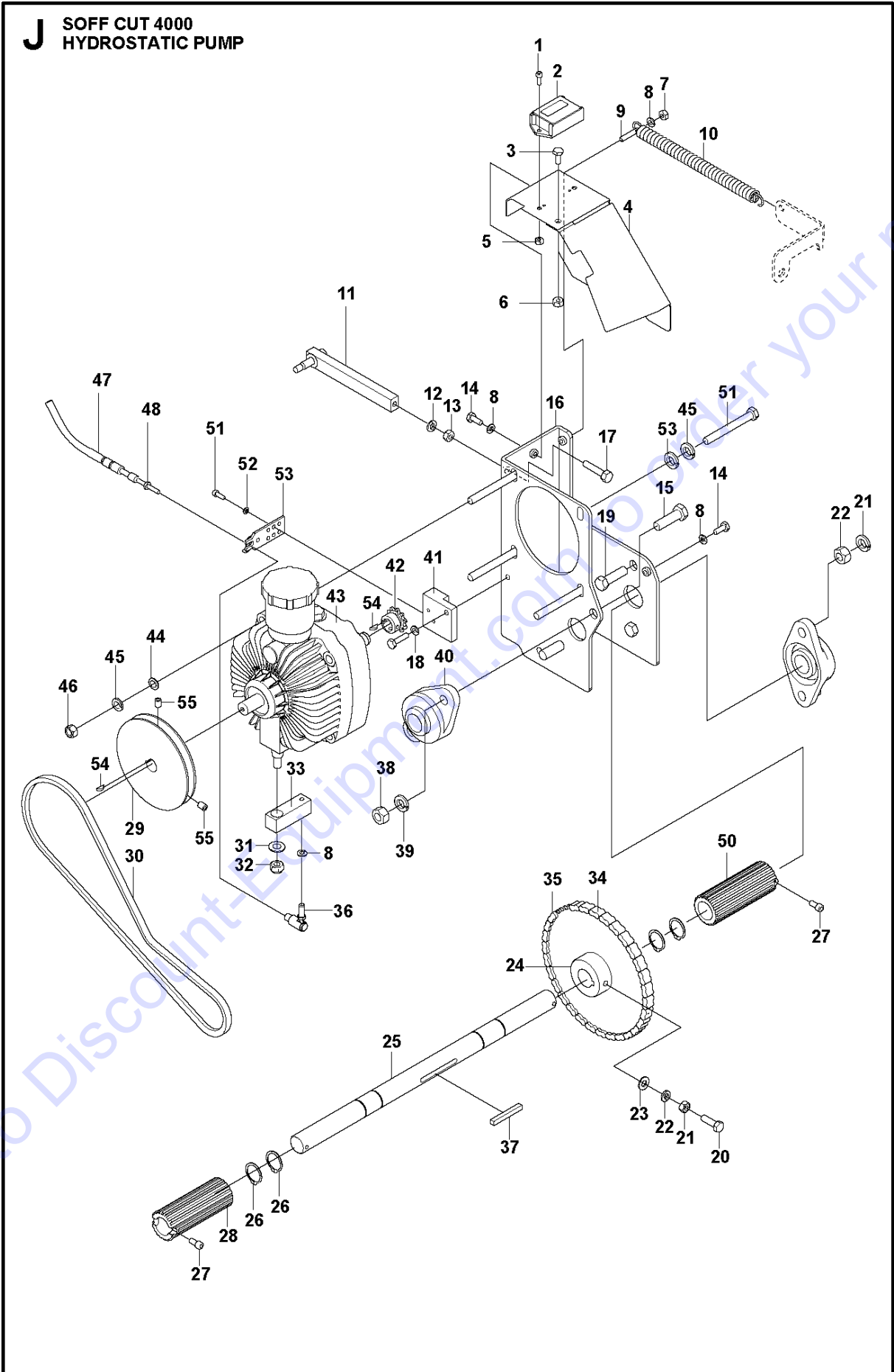
BLADE SHAFT ASSEMBLY

SOFF CUT 4000, 2022-04

Ref	Part No	Description	Remark	QTY KIT
1	505 48 37-01	BOLT		1
2	505 49 15-05	WASHER		1
3	542 02 05-50	SCREW		2
4	582 04 67-01	PULLEY		1
5	505 48 39-02	BELT		1
6	505 57 32-04	SHAFT		1
7	541 20 48-36	NUT		4
8	505 73 11-01	WASHER		4
9	505 73 14-01	WASHER		4
10	505 83 41-01	BLADE SHAFT		2
11	505 83 00-01	BEARING		2
12	505 72 71-01	BOLT		4
13	541 20 33-99	KEY		1

Go to Discount-Equipment.com to order your parts

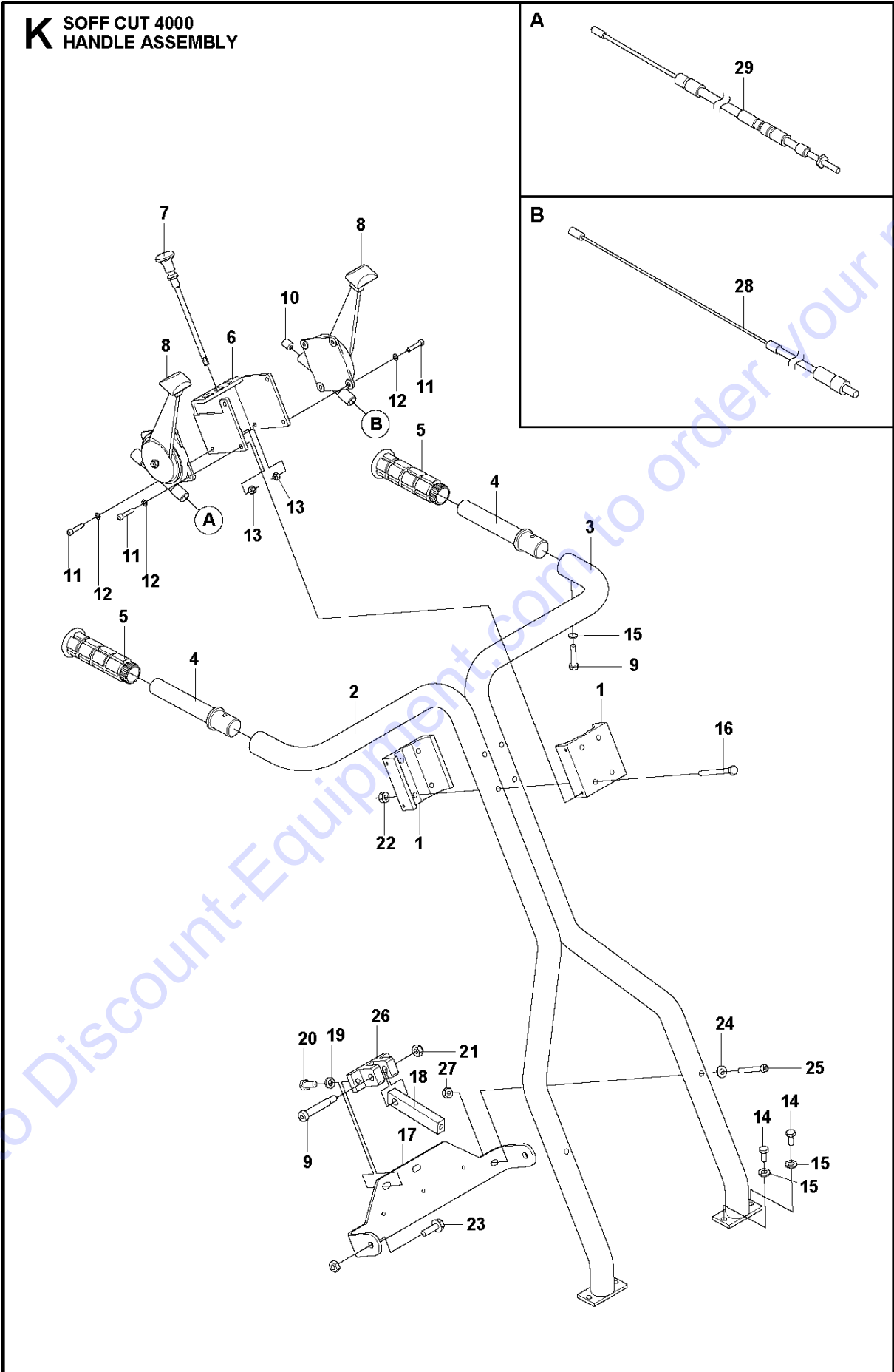
J SOFF CUT 4000
HYDROSTATIC PUMP



HYDROSTATIC PUMP

SOFF CUT 4000, 2022-04

Ref	Part No	Description	Remark	QTY KIT
1	505 72 97-01	BOLT		2
2	505 81 43-01	HOUR METER	service only	1
3	505 62 75-01	BOLT		1
4	589 43 45-01	COVER ASSY		1
5	505 82 22-01	NUT		2
6	539 97 69-78	NUT		1
7	505 63 19-01	NUT		1
8	505 63 28-01	WASHER		4
9	505 77 45-01	ANCHOR		1
10	505 73 73-01	SPRING		1
11	505 83 09-01	ARM		1
12	505 63 30-01	WASHER		1
13	539 99 01-96	NUT		1
14	505 62 74-01	BOLT		1
15	505 82 11-01	BOLT		2
16	505 81 84-01	BRACKET		1
17	505 68 77-01	BOLT		1
18	505 72 73-01	BOLT		1
19	505 82 14-01	BOLT		2
20	539 99 02-09	SCREW		1
21	505 73 12-01	WASHER		2
22	505 73 26-01	NUT		2
23	539 99 01-88	WASHER		1
24	505 73 94-01	SPROCKET		1
25	505 83 08-01	SHAFT		1
26	542 20 62-05	SNAP RING		4
27	505 72 23-01	BOLT		4
28	505 71 51-01	DRIVER		1
29	587 93 53-01	PULLEY		1
30	505 48 40-04	BELT		1
31	505 63 42-01	WASHER		1
32	506 57 01-05	SCREW EHHFM		2
33	505 81 71-01	ARM		1
34	505 73 96-01	LINK		1
35	505 86 46-01	CHAIN	service only	1
36	505 82 35-01	BALL JOINT		1
37	539 91 02-10	KEY		1
38	505 73 33-01	NUT		2
39	505 73 11-01	WASHER		2
40	582 27 28-01	BALL BEARING		2
41	510 34 31-01	BLOCK		1
42	587 65 99-02	SPROCKET		1
43	531 07 57-01	HYDRAULIC PUMP		1
44	505 72 40-01	WASHER		4
45	505 73 10-01	WASHER		8
46	539 99 01-30	NUT		4
47	505 82 30-01	CONTROL CABLE		1
48	505 71 52-01	DRIVER		1
50	505 66 64-01	BRACKET		1
51	539 30 08-70	NLA HCS 3/8-16 X 3-1/2 GR 5 ZN		4
52	505 72 96-01	BOLT		2
53	539 99 05-17	WASHER		4
54	539 30 07-49	KEY		2
55	542 02 05-68	SCREW	SHSS, .25-20 x .375 HK	2



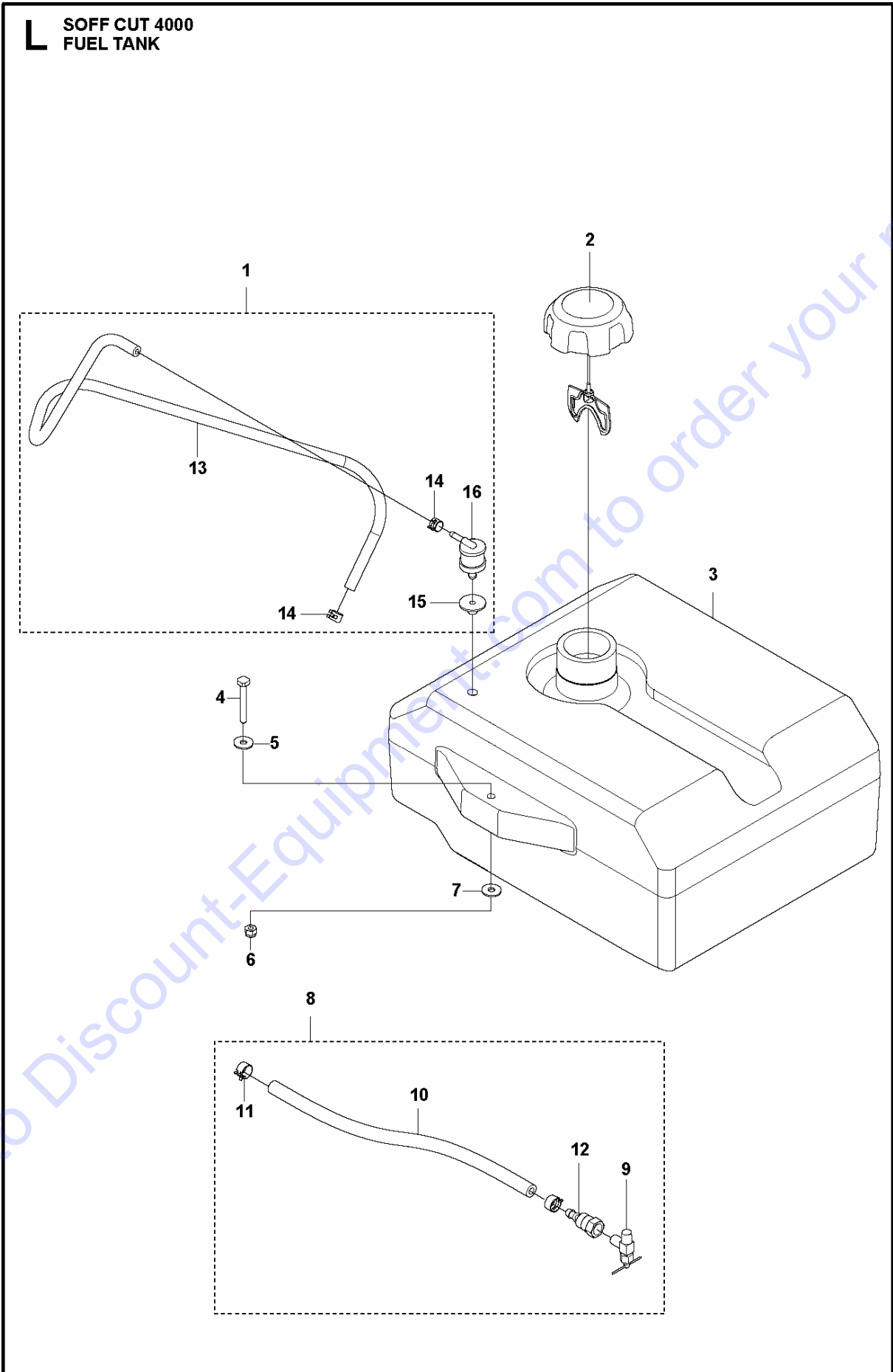
HANDLE ASSEMBLY

SOFF CUT 4000, 2022-04

Ref	Part No	Description	Remark	QTY KIT
1	505 82 92-01	BLOCK		2
2	505 82 93-01	HANDLE		1
3	505 82 94-01	HANDLE		1
4	505 82 91-01	HANDLE		2
5	505 60 11-01	HANDLE GRIP		2
6	505 81 68-01	BRACKET		1
7	505 82 73-01	THROTTLE CABLE		1
8	505 82 36-01	CONTROL LEVER		2
9	505 72 83-01	BOLT		2
10	505 82 24-01	SCREW		2
11	505 72 97-01	BOLT		6
12	505 63 31-01	WASHER		6
13	505 82 22-01	NUT		2
14	505 62 75-01	BOLT		4
15	505 63 28-01	WASHER		6
16	505 72 80-01	BOLT		4
17	590 47 25-01	BRACKET		1
18	505 83 09-01	ARM		1
19	505 63 30-01	WASHER		2
20	539 97 69-34	SCREW		2
21	539 99 07-17	NUT		1
22	539 97 69-78	NUT		4
23	506 57 01-05	SCREW EHHFM		2
24	505 63 20-01	WASHER		2
25	505 72 89-01	BOLT		2
26	505 75 69-01	BRACKET		1
27	505 63 04-01	NUT	FIBER 10-24	1
28	505 82 30-01	CONTROL CABLE	Speed control cable	1
29	505 82 31-01	GUIDE	Cable, guide	1

Go to Discount-Equipment.com to order your parts

L SOFF CUT 4000
FUEL TANK



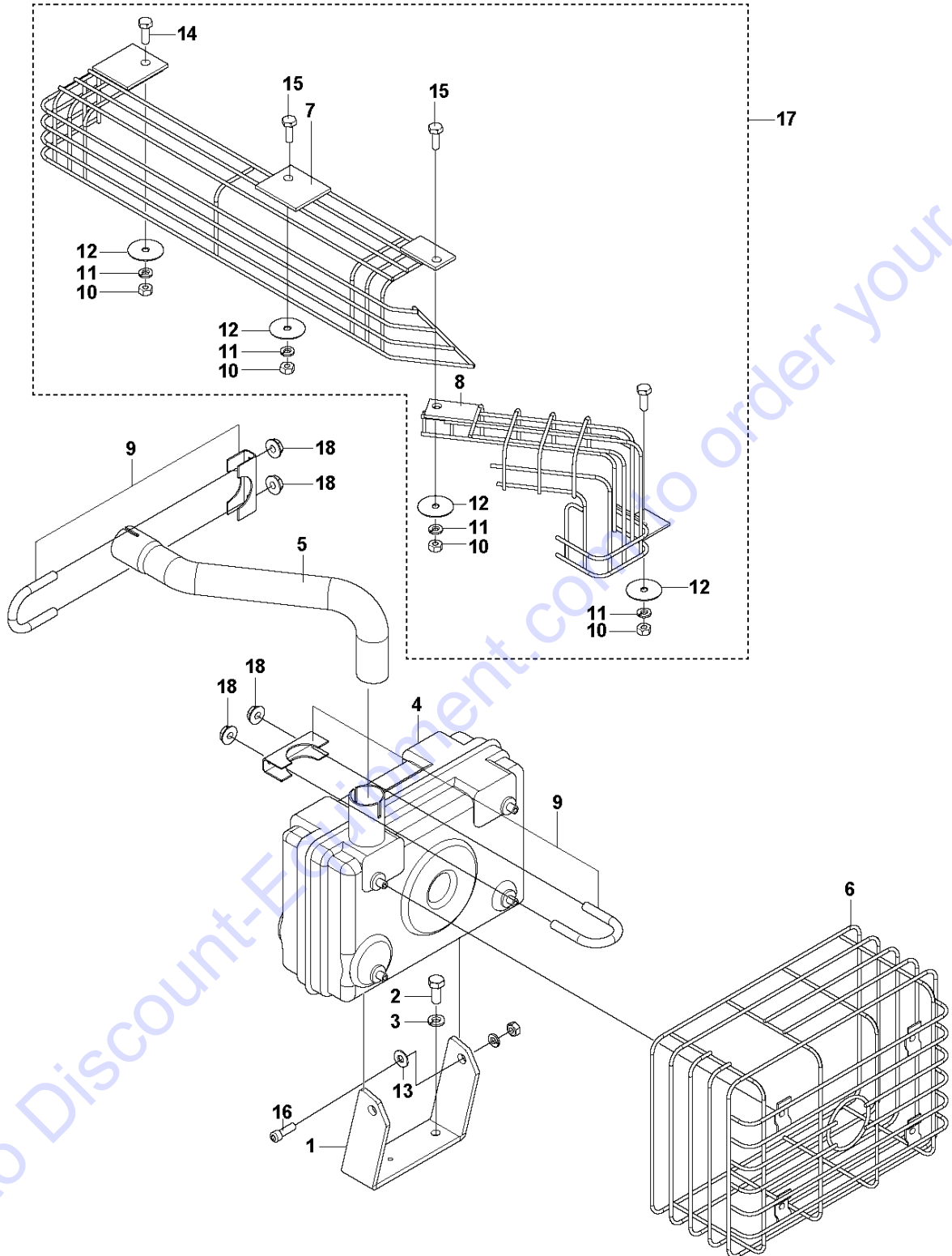
FUEL TANK

SOFF CUT 4000, 2022-04

Ref	Part No	Description	Remark	QTY	KIT
1	593 00 34-01	VENT		1	
2	593 01 58-01	FUEL CAP		1	
3	589 22 16-01	FUEL TANK ASSY		1	
4	725 23 79-51	SCREW EHHM		2	
5	734 11 54-41	WASHER		2	
6	732 25 16-01	HEXAGON LOCKING NUT		2	
7	734 11 52-01	WASHER		2	
8	593 00 35-01	HOSE		1	
9	542 19 03-92	VALVE		1	9
10	523 05 08-01	HOSE		1	9
11	577 81 35-01	CLAMP		2	9
12	541 20 47-50	FITTING		1	9
13	523 05 08-13	HOSE		1	1
14	577 81 35-02	CLAMP		2	1
15	584 95 21-01	GROMMET		1	1
16	576 61 81-01	TANK VENT		1	1

Go to Discount-Equipment.com to order your parts

M SOFF CUT 4000
MUFFLER GUARD



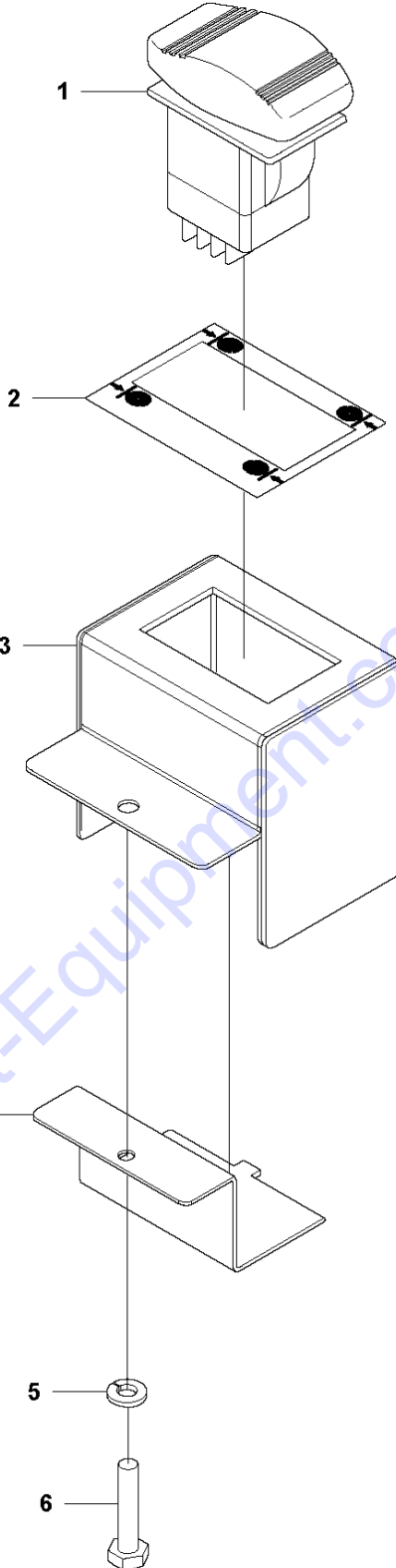
MUFFLER GUARD

SOFF CUT 4000, 2022-04

Ref	Part No	Description	Remark	QTY	KIT
1	505 81 86-01	BRACKET		1	
2	539 97 69-34	SCREW		2	
3	505 63 30-01	WASHER		2	
4	505 83 58-01	MUFFLER	service only, MUFFLER 99-X40-8527-15	1	
5	505 83 45-01	ELBOW		1	
6	505 83 54-01	GUARD	service only, GUARD 99-X40-8527-11	1	
7	505 83 21-01	MUFFLER GUARD		1	17
8	505 83 22-01	MUFFLER GUARD		1	17
9	505 74 32-01	CLAMP		2	
10	505 63 19-01	NUT		4	17
11	505 63 28-01	WASHER		4	17
12	505 72 49-01	WASHER		4	17
13	505 63 20-01	WASHER		2	
14	505 72 73-01	BOLT		1	17
15	505 62 75-01	BOLT		3	17
16	505 62 78-01	BOLT		2	
17	505 87 05-01	EXHAUST PIPE	Guard, Exhaust manifold & elbow kit	1	
18	575 43 79-05	NUT		4	

Go to Discount-Equipment.com to order your parts

N SOFF CUT 4000
ACTUATOR SWITCH



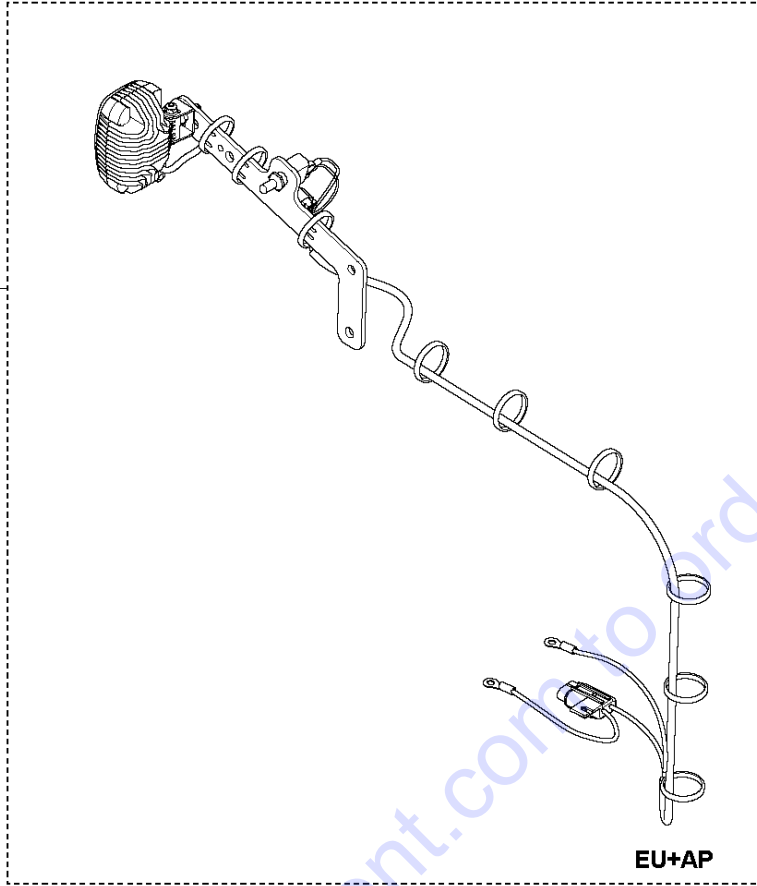
Go to Discount-Equipment.com to order your parts

Ref	Part No	Description	Remark	QTY KIT
1	589 66 89-01	TOGGLE SWITCH		1
2	582 07 52-01	DECAL		1
3	582 00 09-01	CONSOLE		1
4	582 01 16-01	PLATE		1
5	505 63 28-01	WASHER		1
6	505 72 83-01	BOLT		1

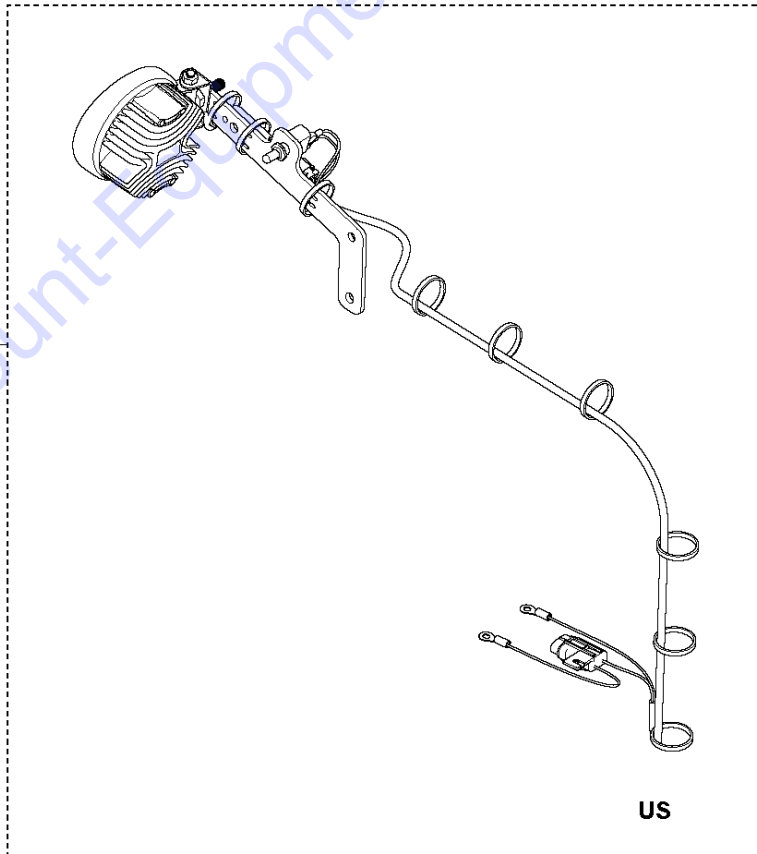
Go to Discount-Equipment.com to order your parts

P SOFF CUT 4000
LIGHT KIT

1



2



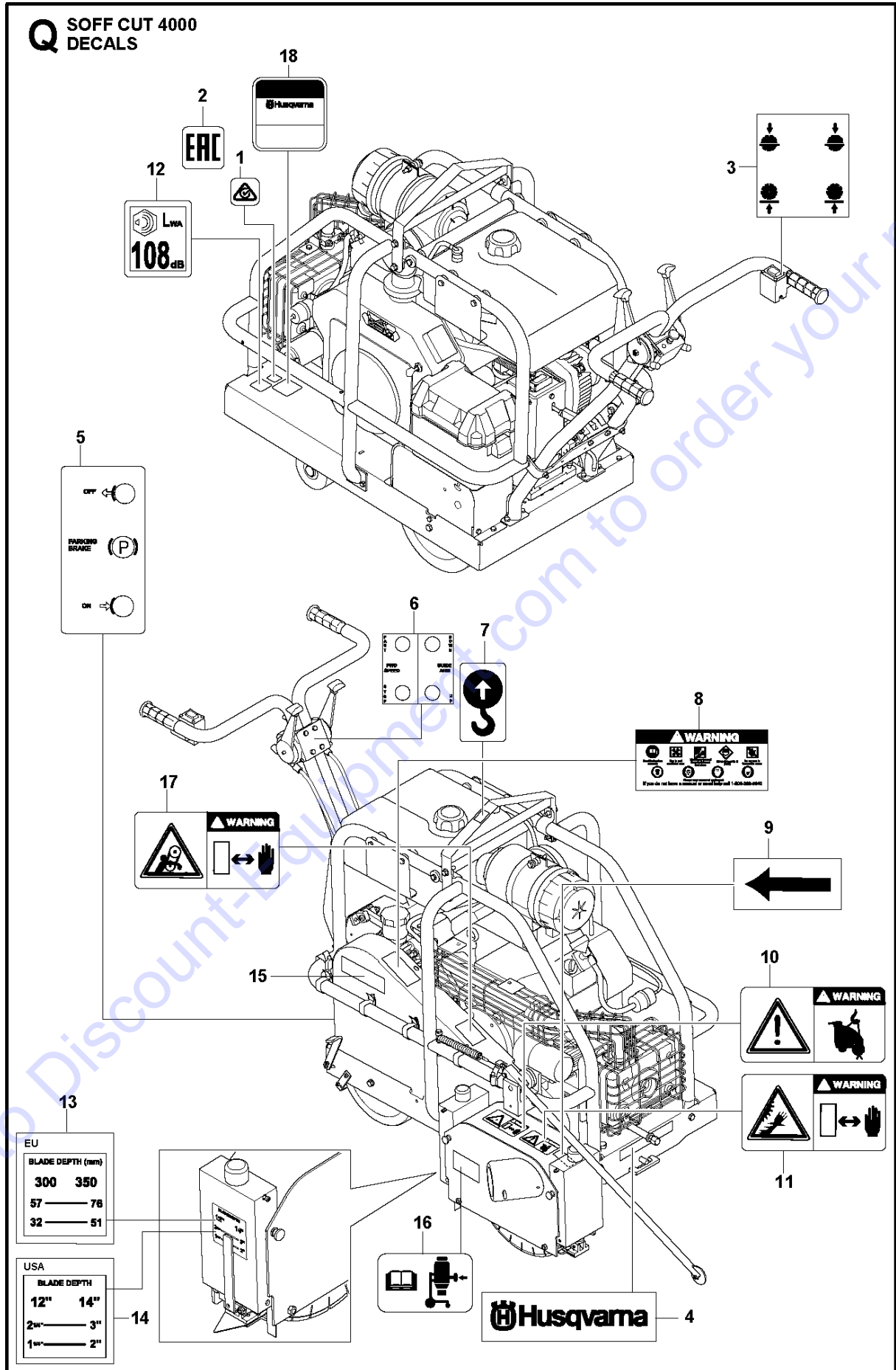
Go to Discount-Equipment.com to order your parts

LIGHT KIT

SOFF CUT 4000, 2022-04

Ref	Part No	Description	Remark	QTY KIT
1	594 91 56-01	LIGHT	SOFF-CUT 4000/2000 EU+AP FIELD	1
2	594 91 52-01	LIGHT	SOFF-CUT 4000/2000 US FIELD	1

Go to Discount-Equipment.com to order your parts



DECALS

SOFF CUT 4000, 2022-04

Ref	Part No	Description	Remark	QTY KIT
1	582 30 81-01	DECAL	RCM	1
2	588 06 16-01	DECAL	Only for CE version	1
3	582 07 52-01	DECAL	Up down switch	1
4	542 19 07-33	DECAL	Husqvarna, 9.850" LG	1
5	505 70 34-01	LABEL	Only for CE version	1
6	510 34 13-01	LABEL	Handle control	1
7	599 96 36-01	LABEL	Lift point	1
8	505 70 37-01	LABEL. WARNING SIGN (BIG)	Only for CE version, warning sign, (big)	1
9	505 70 39-01	LABEL	Only for CE version, directional	1
10	505 70 35-01	LABEL	Only for CE version, warning no blade	1
11	510 34 75-01	LABEL WARNING	Only for CE version	1
12	543 04 57-88	DECAL	Only for CE version, sound level 108 Db(A)	1
13	510 34 39-01	STICKER. DEPTH GAUGE - CE	Only for CE version, depth gauge-C	1
14	510 34 38-01	LABEL	Only NA version, depth gauge	1
15	505 44 87-01	DECAL	Husqvarna 4000	1
16	597 02 69-01	DECAL	Vac information	1
17	505 70 38-01	LABEL. WARNING SIGN(MOVING PAR	Only for CE version, warning sign (moving parts)	1
18	580 40 16-12	DECAL	Emission control 2021	1

Go to Discount-Equipment.com to get your parts

PARTS FINDER

**Search Website
by Part Number**



**Search Manual
Library For Parts
Manual & Lookup Part
Numbers – Purchase
or Request Quote**

Search Manuals

Enter your information to help us find the right parts manual for your machine.

* Brand:

* Model:

* Serial:

* Part Number:

SEARCH

**Can't Find Part or
Manual? Request Help
by Manufacturer,
Model & Description**

Parts Order Form

Please fill in the following information to help us find the right part for your machine.

Manufacturer:	<input type="text"/>
Model:	<input type="text"/>
Description:	<input type="text"/>
Part Number:	<input type="text"/>
Quantity:	<input type="text"/>
Notes:	<input type="text"/>

Submit

Discount-Equipment.com is your online resource for quality parts & equipment.

Florida: **561-964-4949** Outside Florida TOLL FREE: **877-690-3101**

Need parts?

Click on this link: <http://www.discount-equipment.com/category/5443-parts/> and choose one of the options to help get the right parts and equipment you are looking for. Please have the machine model and serial number available in order to help us get you the correct parts. If you don't find the part on the website or on one of the online manuals, please fill out the request form and one of our experienced staff members will get back to you with a quote for the right part that your machine needs.

We sell worldwide for the brands: Genie, Terex, JLG, MultiQuip, Mikasa, Essick, Whiteman, Mayco, Toro Stone, Diamond Products, Generac Magnum, Airman, Haulotte, Barreto, Power Blanket, Nifty Lift, Atlas Copco, Chicago Pneumatic, Allmand, Miller Curber, Skyjack, Lull, Skytrak, Tsurumi, Husquvarna Target, Stow, Wacker, Sakai, Mi-T-M, Sullair, Basic, Dynapac, MBW, Weber, Bartell, Bennar Newman, Haulotte, Ditch Runner, Menegotti, Morrison, Contec, Buddy, Crown, Edco, Wyco, Bomag, Laymor, EZ Trench, Bil-Jax, F.S. Curtis, Gehl Pavers, Heli, Honda, ICS/PowerGrit, IHI, Partner, Imer, Clipper, MMD, Koshin, Rice, CH&E, General Equipment, Amida, Coleman, NAC, Gradall, Square Shooter, Kent, Stanley, Tamco, Toku, Hatz, Kohler, Robin, Wisconsin, Northrock, Oztec, Toker TK, Rol-Air, APT, Wylie, Ingersoll Rand / Doosan, Innovatech, Con X, Ammann, Mecalac, Makinex, Smith Surface Prep, Small Line, Wanco, Yanmar