



SPARE PARTS LIST

SURFACE PREPARATION EQUIPMENT

PG 820, To machine 0904-1 and forward,
2009-07

Go to Discount-Equipment.com to order your parts



PARTS FINDER

**Search Website
by Part Number**



**Search Manual
Library For Parts
Manual & Lookup Part
Numbers – Purchase
or Request Quote**

Search Manuals

Enter your information to help us find the right parts manual for your machine.

* Brand:

* Model:

* Serial:

* Part Number:

SEARCH

**Can't Find Part or
Manual? Request Help
by Manufacturer,
Model & Description**

Parts Order Form

Please fill in the following information to help us find the right part for your machine.

Manufacturer:	<input type="text"/>
Model:	<input type="text"/>
Description:	<input type="text"/>
Part Number:	<input type="text"/>
Quantity:	<input type="text"/>
Notes:	<input type="text"/>

Submit

Discount-Equipment.com is your online resource for quality parts & equipment.

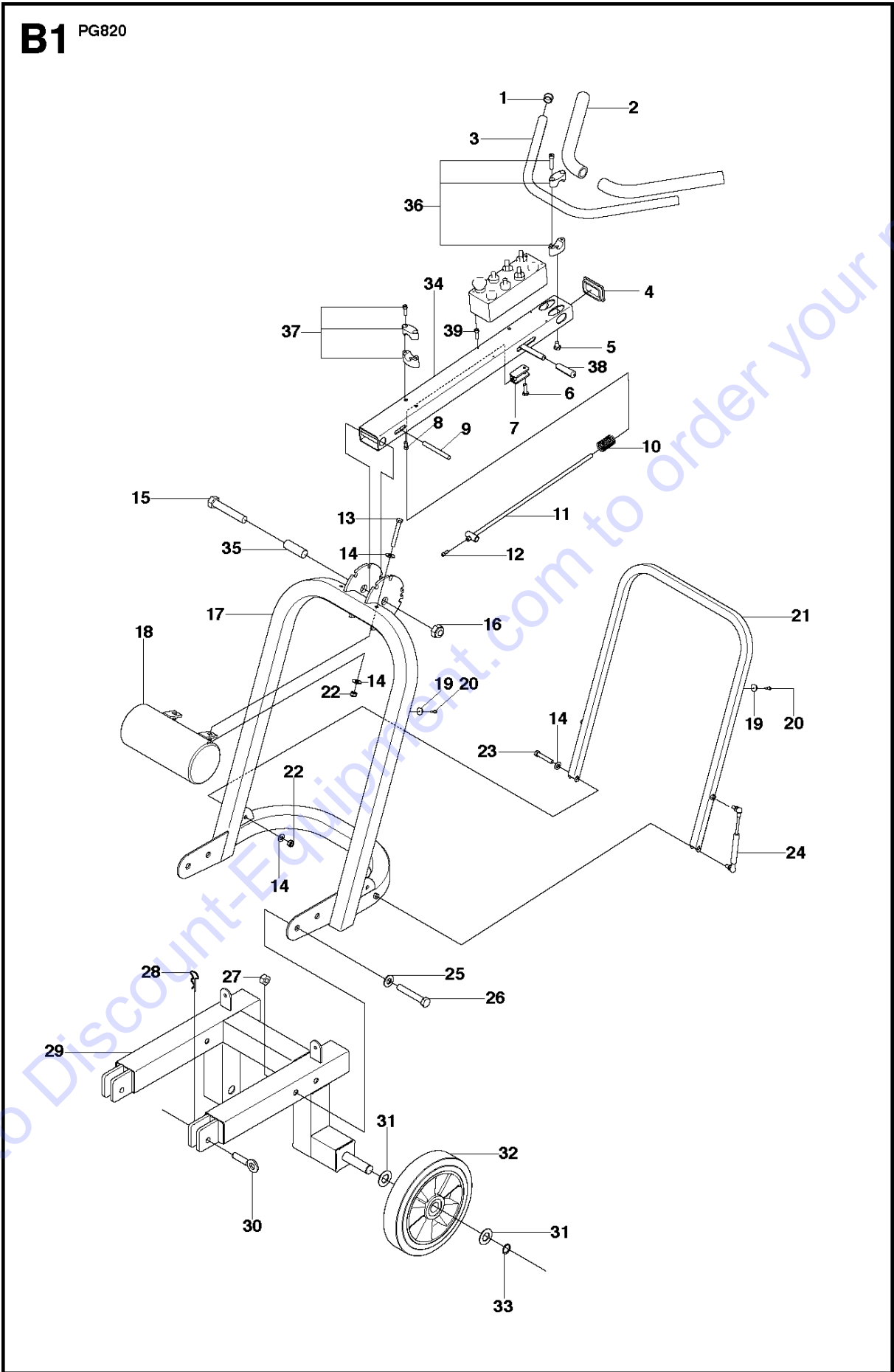
Florida: **561-964-4949** Outside Florida TOLL FREE: **877-690-3101**

Need parts?

Click on this link: <http://www.discount-equipment.com/category/5443-parts/> and choose one of the options to help get the right parts and equipment you are looking for. Please have the machine model and serial number available in order to help us get you the correct parts. If you don't find the part on the website or on one of the online manuals, please fill out the request form and one of our experienced staff members will get back to you with a quote for the right part that your machine needs.

We sell worldwide for the brands: Genie, Terex, JLG, MultiQuip, Mikasa, Essick, Whiteman, Mayco, Toro Stone, Diamond Products, Generac Magnum, Airman, Haulotte, Barreto, Power Blanket, Nifty Lift, Atlas Copco, Chicago Pneumatic, Allmand, Miller Curber, Skyjack, Lull, Skytrak, Tsurumi, Husquvarna Target, Stow, Wacker, Sakai, Mi-T-M, Sullair, Basic, Dynapac, MBW, Weber, Bartell, Bennar Newman, Haulotte, Ditch Runner, Menegotti, Morrison, Contec, Buddy, Crown, Edco, Wyco, Bomag, Laymor, EZ Trench, Bil-Jax, F.S. Curtis, Gehl Pavers, Heli, Honda, ICS/PowerGrit, IHI, Partner, Imer, Clipper, MMD, Koshin, Rice, CH&E, General Equipment, Amida, Coleman, NAC, Gradall, Square Shooter, Kent, Stanley, Tamco, Toku, Hatz, Kohler, Robin, Wisconsin, Northrock, Oztec, Toker TK, Rol-Air, APT, Wylie, Ingersoll Rand / Doosan, Innovatech, Con X, Ammann, Mecalac, Makinex, Smith Surface Prep, Small Line, Wanco, Yanmar

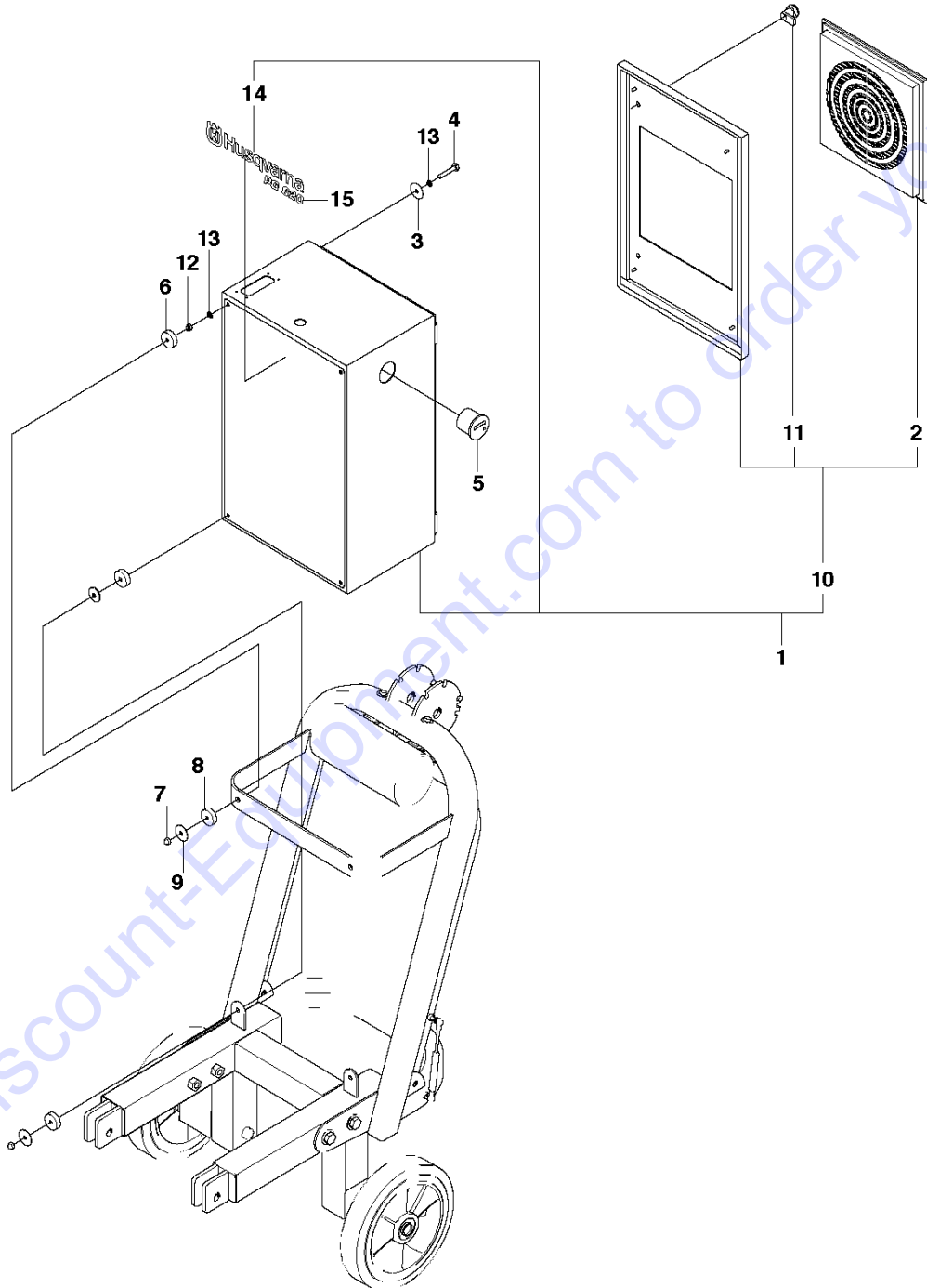
B1 PG820



Ref	Part No	Description	Remark	QTY KIT
1	543 04 60-41	EMBOUT REF 320 GL 25/		2
2	502 54 49-22	RUBBER COVER		2
3	502 54 49-20	HANDLE TUBE		1
4	516 05 90-01	HUB CAP		1
5	725 24 89-76	SCREW EHHM		2
6	725 24 55-76	SCREW EHHM		1
7	502 54 49-05	BRACKET		1
8	725 54 45-01	SCREW IHSCM		2
9	516 05 93-01	PEN		1
10	502 54 49-27	COMPRESSION SPRING		1
11	516 05 95-01	ROD		1
12	724 13 64-51	SCREW CRPANM		1
13	725 25 07-51	SCREW EHHM		2
14	734 11 72-01	WASHER		8
15	504 75 07-01	SCREW		1
16	504 75 06-01	LOCK NUT		1
17	502 54 47-01	CHASSIS		1
18	504 73 04-01	WEIGHT		1
19	516 05 96-01	BUMPER		4
20	521 88 65-01	SCREW		4
21	502 54 47-07	BAR		1
22	732 25 20-01	HEXAGON LOCKING NUT		4
23	725 25 02-51	SCREW EHHM		2
24	502 54 47-11	GAS STRUT		2
25	734 11 86-01	WASHER		4
26	504 75 13-01	SCREW EHHM		4
27	731 23 24-01	HEXAGON NUT		2
28	721 68 02-51	SPRING COTTER		2
29	502 54 48-01	CHASSIS		1
30	504 72 97-01	PEN		2
31	504 75 14-01	WASHER		4
32	502 54 50-01	WHEEL		2
33	735 31 26-00	CIRCLIP		2
34	502 54 49-02	HANDLEBAR ASSY		1
35	516 05 97-01	SLEEVE		1
36	502 54 49-25	HANDLE BAR		2
37	502 54 49-26	HANDLE BAR		1
38	502 54 49-23	RUBBER COVER		1
39	504 75 20-01	SCREW CRCSFT		4

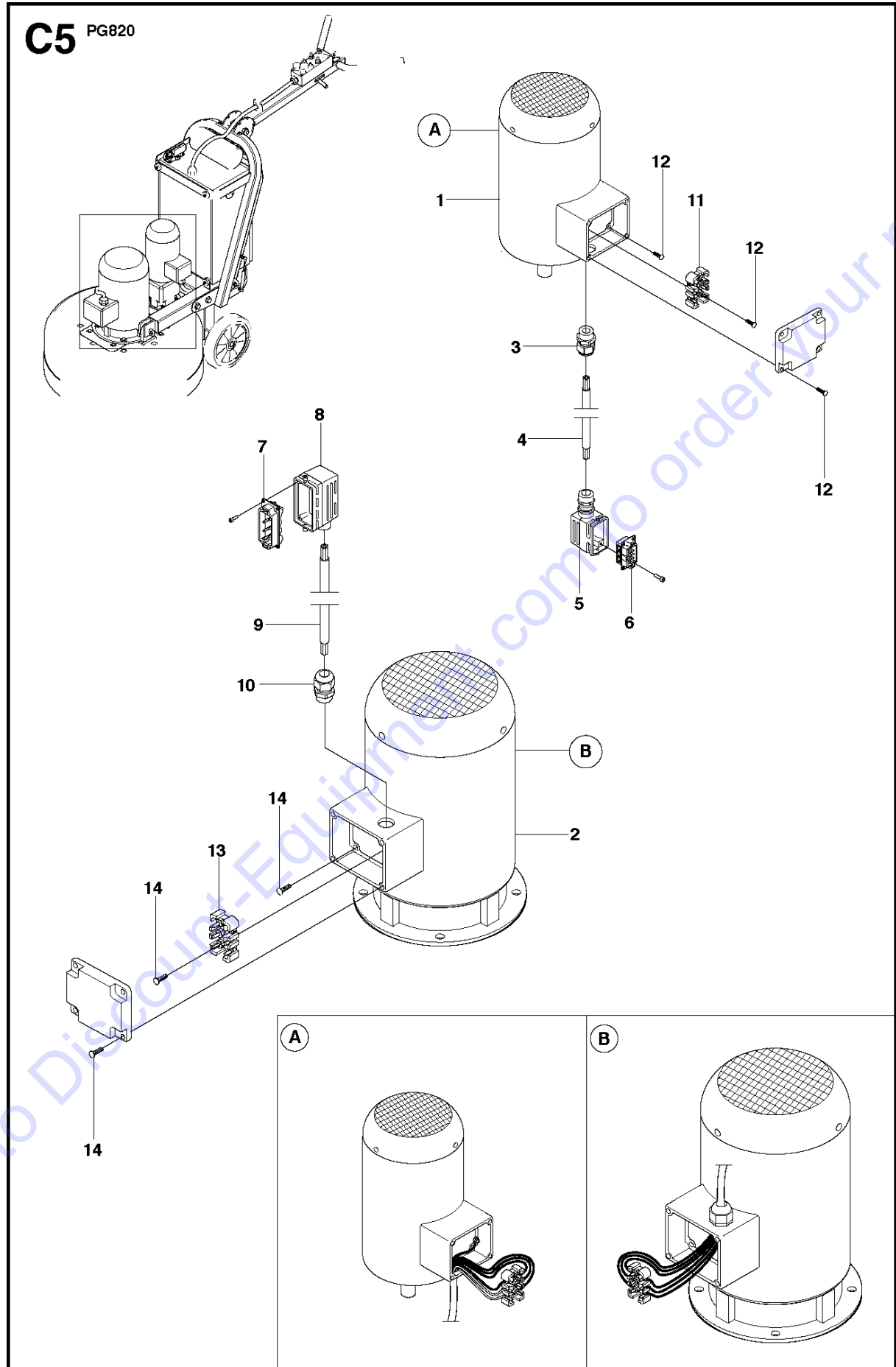
Go to Discount-Equipment.com to order your parts

B2 PG820



Ref	Part No	Description	Remark	QTY	KIT
1	574 44 08-01	ELECTRIC BOX		1	1, 13
1	577 20 61-01	ELECTRIC BOX	JP, 220 V	1	1, 13
1	574 44 08-02	ELECTRIC BOX	US	1	
2	502 54 41-01	VENT KIT		1	
3	504 74 73-01	WASHER		4	
4	725 24 61-71	SCREW EHHM		4	
5	504 74 13-01	HOUR METER		1	
5	580 88 17-01	HOUR METER	US	1	
6	502 53 39-01	WASHER		4	
7	543 04 47-66	NUT		4	
8	515 98 41-01	WASHER		4	
9	521 88 67-01	WASHER		4	
10	574 44 10-01	ELECTRIC BOX		1	1
11	516 05 98-01	LATCH		2	1, 13
12	732 25 18-01	HEXAGON LOCKING NUT		4	
13	735 21 64-01	LOCK WASHER		8	
14	525 48 88-01	DECAL		1	
15	525 48 83-01	DECAL		1	

Go to Discount-Equipment.com to order your parts



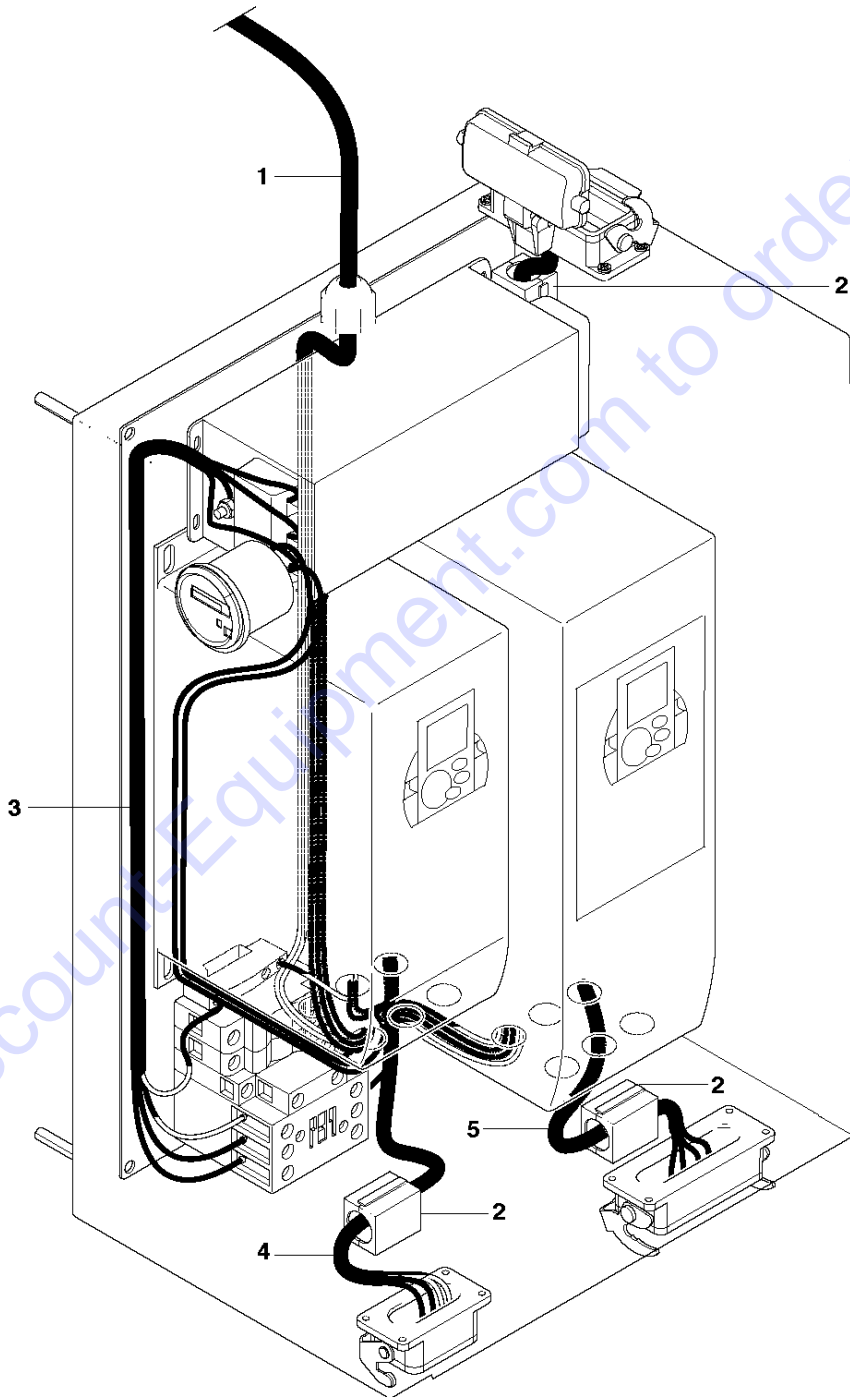
ELECTRICAL

PG 820, To machine 0904-1 and forward, 2009-07

Ref	Part No	Description	Remark	QTY KIT
1	502 53 57-01	ELECTRIC MOTOR		1
1	576 93 32-01	MOTOR	JP, 220 V	1
2	502 53 52-01	ELECTRIC MOTOR		1
2	580 68 69-01	MOTOR	JP, 220 V	1
3	516 06 12-01	GROMMET		1
4	504 74 03-01	POWER CABLE		1
4	504 74 03-02	POWER CABLE	US	1
5	516 06 13-01	HOOD		1
6	516 06 14-01	CONNECTOR		1
7	516 06 15-01	CONNECTOR		1
7	504 76 25-01	CONNECTOR	JP, 220 V	1
8	516 06 16-01	HOOD		1
9	516 06 17-01	CABLE		1
9	516 06 17-02	CABLE	US	1
9	577 20 67-01	CABLE	JP, 220 V	1
10	516 06 18-01	GROMMET		1
10	502 54 39-01	GROMMET	JP, 220 V	1
11	516 06 19-01	TERMINAL BLOCK		1
12	723 13 27-51	SCREW SLCHM		9
13	516 06 20-01	TERMINAL BLOCK		1
14	724 13 68-51	SCREW CRPANM		9

Go to Discount-Equipment.com to order your parts

C2 PG820



Go to DiscountEquipment.com to order your parts

Ref	Part No	Description	Remark	QTY KIT
1	502 54 42-01	WIRING		1
1	577206201	WIRING	JP, 220 V	1
1	581 11 09-01	WIRING	US	1
2	504 71 72-01	FERRITE		3
3	516 05 77-01	CABLE		1
3	516 05 77-02	CABLE	US	1
3	577206301	CABLE	JP, 220 V	1
4	516 05 76-01	CABLE		1
4	516 05 76-02	CABLE	US	1
5	516 05 75-01	CABLE		1
5	516 05 75-02	CABLE	US	1
5	577206501	CABLE	JP, 220 V	1

Go to Discount-Equipment.com to order your parts

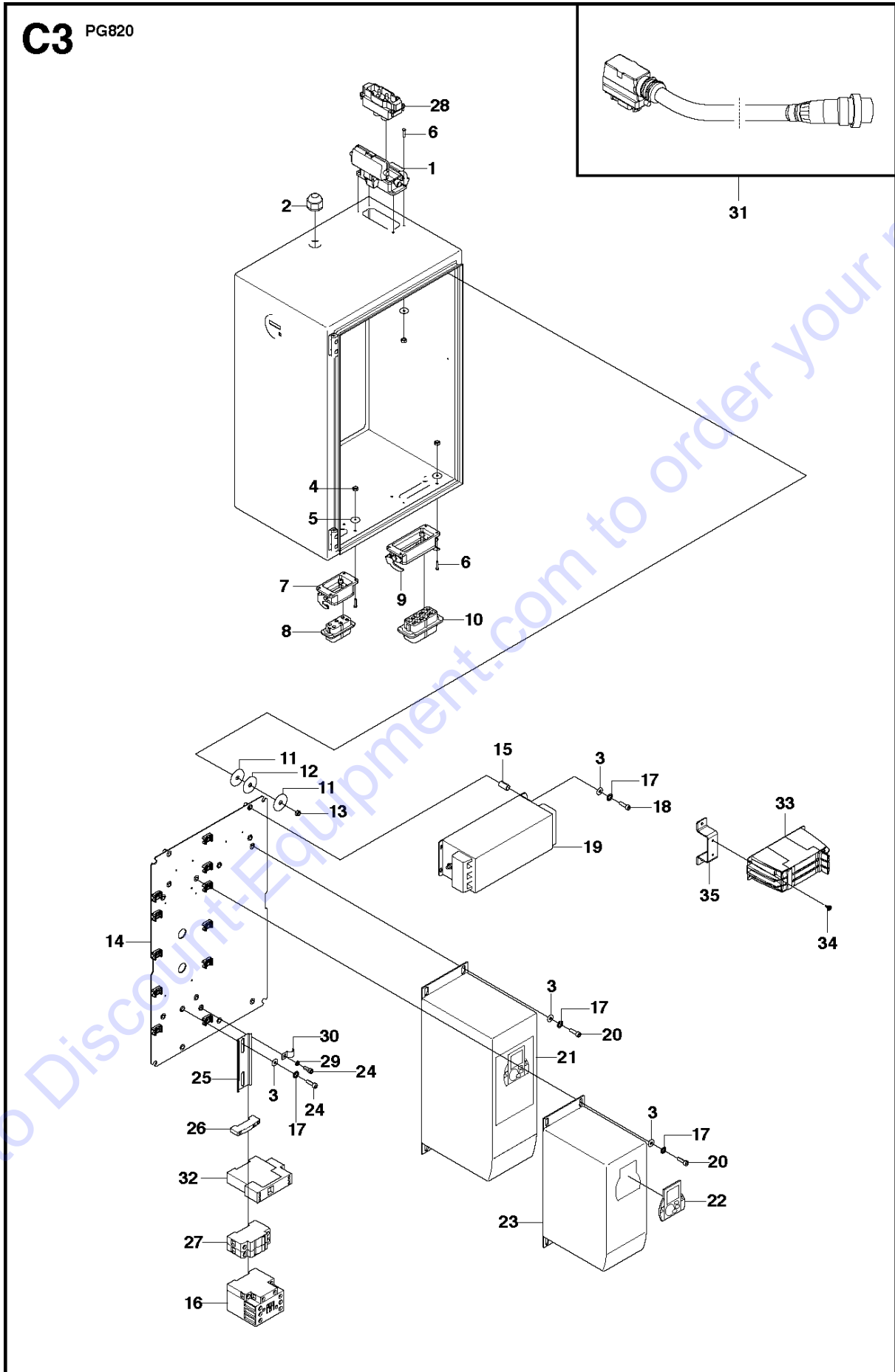
ELECTRICAL

PG 820, To machine 0904-1 and forward, 2009-07

Ref	Part No	Description	Remark	QTY KIT
1	504 73 86-01	SWITCH		3
2	504 73 88-01	PUSH BUTTON		1
3	502 54 29-01	POTENTIOMETER		2
4	504 73 94-01	BUTTON		1
5	504 73 90-01	PUSH BUTTON		1
6	504 73 97-01	LAMP		1
6	580 88 16-02	LAMP	US	1
7	504 73 96-01	LAMP		1
7	580 88 16-01	LAMP	US	1
8	502 54 46-01	ELECTRIC BOX		1
9	504 73 95-01	BUTTON		1
10	504 73 87-01	BUTTON		2
11	504 73 89-01	BUTTON		3
12	502 54 39-01	GROMMET		1
13	502 54 33-01	DECAL		1
14	504 75 82-01	PLATE		1

Go to Discount-Equipment.com to order your parts

C3 PG820



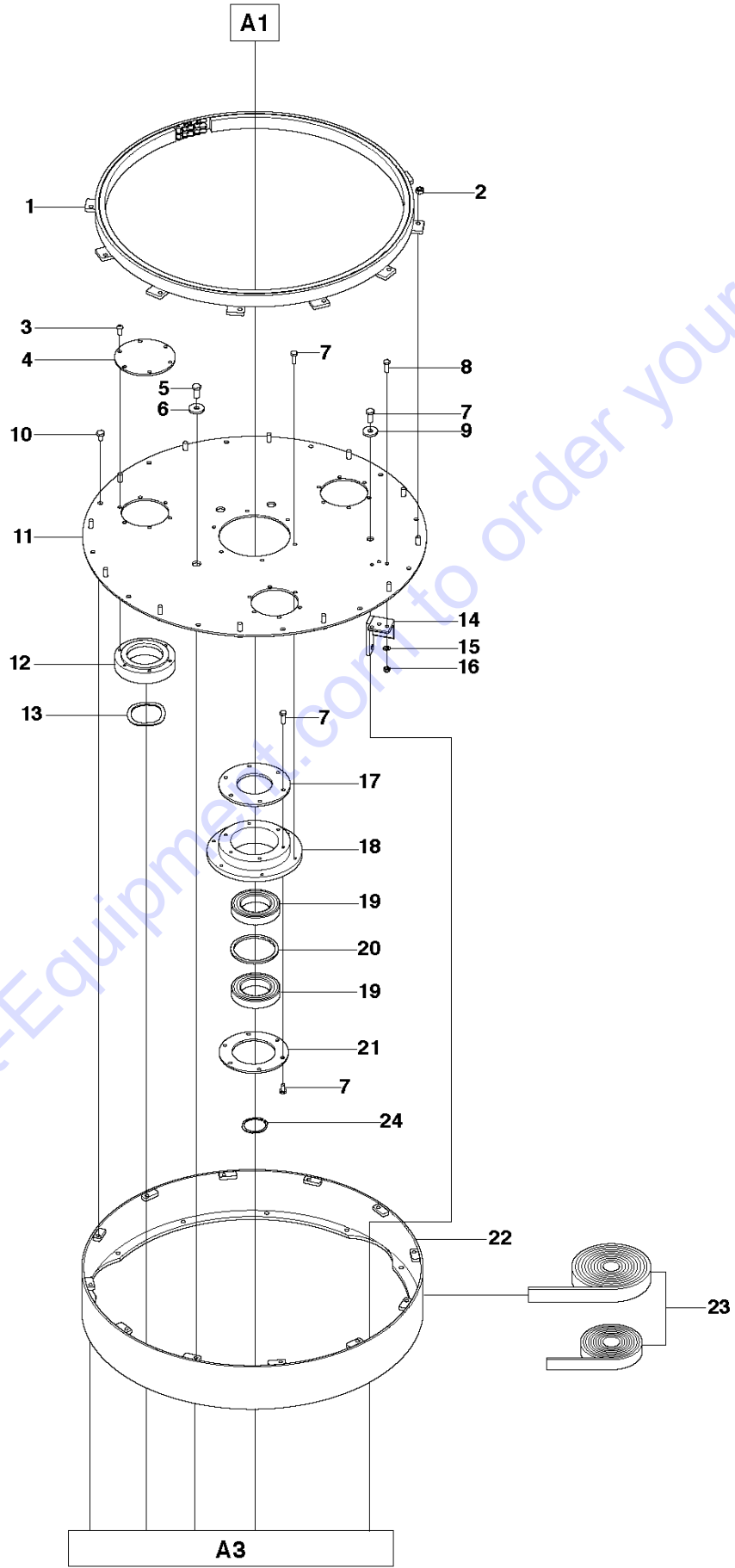
ELECTRICAL

PG 820, To machine 0904-1 and forward, 2009-07

Ref	Part No	Description	Remark	QTY KIT
1	516 06 06-02	HOUSING		1
2	502 54 39-01	GROMMET		2
3	734 11 54-41	WASHER		8
4	732 25 12-01	HEXAGON LOCKING NUT		12
5	734 11 36-01	WASHER		12
6	724 12 93-51	SCREW CRPANM		12
7	516 06 04-01	HOUSING		1
8	516 06 05-01	CONNECTOR		1
9	516 06 06-01	HOUSING		1
10	516 06 07-01	CONNECTOR		1
10	504 76 26-01	CONNECTOR	JP, 220 V	1
11	521 88 67-01	WASHER		8
12	516 06 01-01	WASHER		8
13	732 25 18-01	HEXAGON LOCKING NUT		4
14	574 44 12-01	PLATE		1
14	577 20 66-01	PLATE	JP, 220 V	1
15	504 75 81-01	SPACING TUBE	Not US	4
16	502 54 36-01	CONTACTOR		1
16	581 03 18-01	CONTACTOR	JP, 220 V	1
17	735 11 53-01	WASHER		8
18	725 53 80-01	SCREW IHSCM	Not US	4
19	504 71 71-01	FILTER	Not US	1
20	725 53 70-51	SCREW IHSCM		8
21	502 54 25-02	FREQUENCY INVERTER		1
21	576 93 53-02	FREQUENCY INVERTER	JP, 220 V	1
22	516 06 10-01	PAN		2
22	505 46 40-01	KEYBOARD		2
23	502 54 26-02	FREQUENCY INVERTER		1
23	576 93 54-02	FREQUENCY INVERTER	JP, 220 V	1
24	725 53 68-01	SCREW IHSCM		3
25	516 06 11-01	RAIL		1
26	502 54 38-01	TERMINAL BLOCK		1
27	502 54 37-01	CIRCUIT BREAKER		1
27	578 35 05-01	CIRCUIT BREAKER	US	1
28	504 76 25-01	CONNECTOR		1
29	735 21 53-01	LOCK WASHER		1
30	504 75 84-01	CABLE CLAMP		1
31	574 44 13-01	PLUG	EU	1
31	574 44 13-02	PLUG	AU	1
31	574 44 13-03	PLUG	US	1
31	574 44 13-04	PLUG	JP, 220 V	1
32	522 86 92-01	RELAY	US	1
33	586 84 88-01	FILTER	US	1
34	521 88 64-02	SCREW		8
35	586 28 96-01	BRACKET		2

Go to DiscountEquipment.com to order your parts

A2 PG820



GRINDER

PG 820, To machine 0904-1 and forward, 2009-07

Ref	Part No	Description	Remark	QTY KIT
1	502 53 86-01	CHAIN RING		1
2	732 25 20-01	HEXAGON LOCKING NUT		12
3	504 75 02-01	SCREW IHPANM		18
4	502 53 79-01	COVER PLATE		3
5	725 25 34-71	SCREW EHHM		3
6	504 72 95-01	WASHER		3
7	725 24 51-76	SCREW EHHM		19
8	725 24 53-76	SCREW EHHM		3
9	543 04 66-47	WASHER		1
10	725 24 89-76	SCREW EHHM		12
11	502 53 74-01	TOP PLATE		1
12	502 53 71-01	BEARING HOUSING		3
13	502 53 99-01	WAVE WASHER		3
14	504 72 99-01	STRUT		1
15	734 11 63-01	WASHER		3
16	732 25 18-01	HEXAGON LOCKING NUT		3
17	504 72 82-01	PLATE		1
18	502 53 72-01	BEARING HOUSING		1
19	502 53 89-01	BALL BEARING		2
20	504 72 88-01	SPACER		1
21	504 72 81-01	PLATE		1
22	502 53 83-01	RIM		1
23	502 53 48-01	PLANETARY SEAL RUBBER		1
24	502 53 90-01	CIRCLIP		1

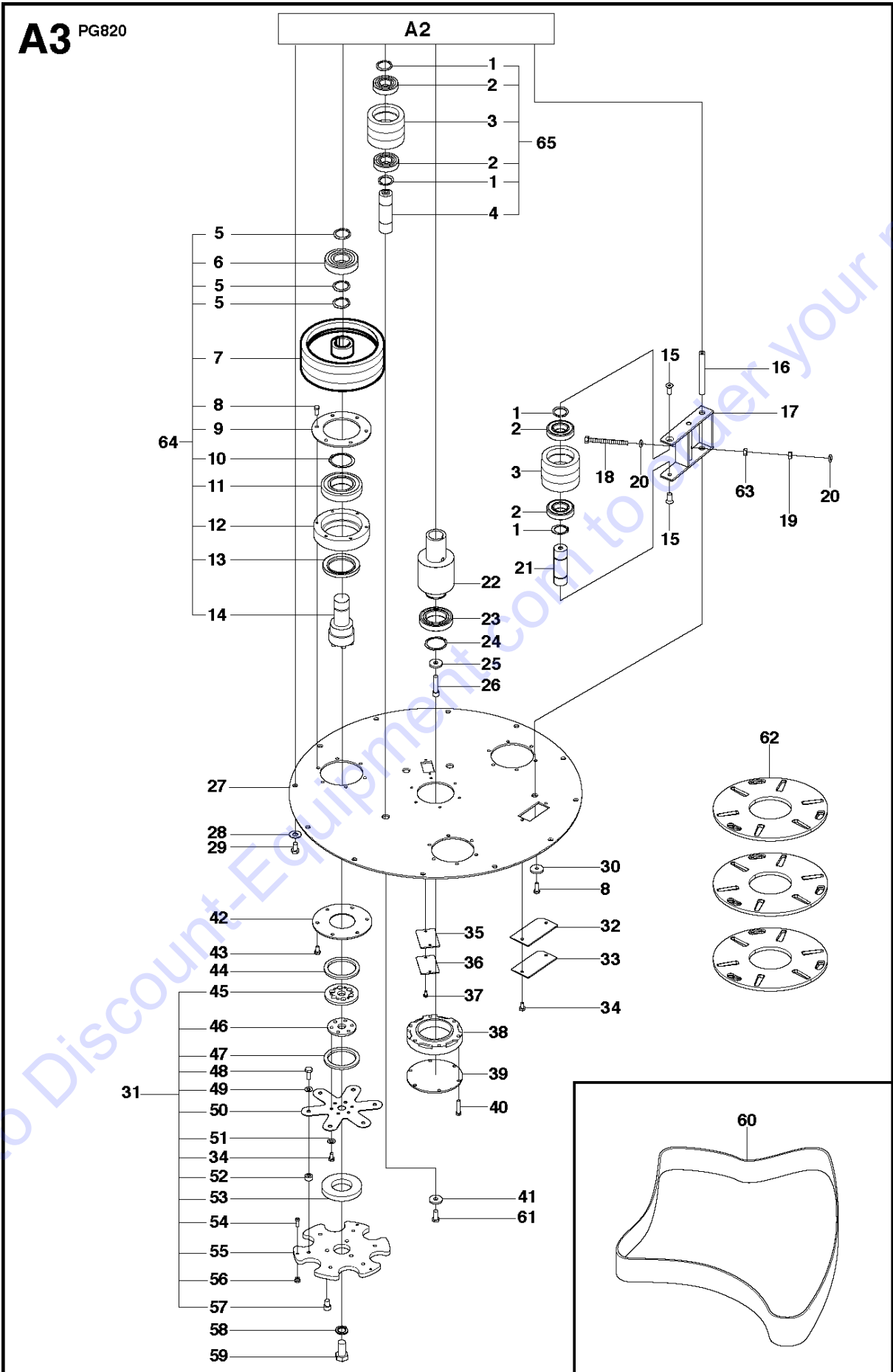
Go to Discount-Equipment.com to order your parts

GRINDER

PG 820, To machine 0904-1 and forward, 2009-07

Ref	Part No	Description	Remark	QTY	KIT
1	516 05 68-01	COVER		1	
2	516 05 70-01	FAN		1	
3	516 05 71-01	PEN		1	
4	580 99 98-01	GEAR BOX ASSY		1	
5	734 11 63-01	WASHER		10	36
6	735 11 64-01	SPRING WASHER		4	
7	732 25 18-01	HEXAGON LOCKING NUT		6	36
8	725 24 53-76	SCREW EHHM		6	36
9	725 24 91-76	SCREW EHHM		4	
10	734 11 72-01	WASHER		12	
11	586 96 48-01	PLATE		1	
12	725 64 53-51	SCREW IHCSFM		4	
13	502 54 24-01	DRIVE SPROCKET		1	
14	728 54 51-05	SCREW IHSETM		2	13
15	725 24 97-71	SCREW EHHM		6	
16	586 96 50-01	BRACKET		1	
17	725 25 02-51	SCREW EHHM		2	
18	504 72 63-04	WASHER		11	
19	504 72 63-03	WASHER		4	
20	504 72 90-01	LIFTING LUG		2	
21	725 25 34-71	SCREW EHHM		13	
22	734 11 78-01	WASHER		5	
23	504 72 93-01	COVER PLATE		1	
24	504 74 76-01	VELCRO		1	
25	504 72 98-02	COUPLING		1	36
26	732 25 16-01	HEXAGON LOCKING NUT		3	36
27	522 44 83-01	BRACKET		1	36
28	724 33 70-51	SCREW CRCSFM		3	
29	516 05 72-01	COVER		1	
30	516 05 73-01	FAN		1	
32	723 13 20-51	SCREW SLCHM		7	
33	502 55 11-01	PLATE		1	
34	516 05 78-02	SEAL		1	
35	502 53 85-01	VELCRO		1	37
36	522 44 82-01	PORT		1	37
37	516 05 79-01	COVER		1	
38	735 11 73-01	SPRING WASHER		4	
39	504 74 83-01	WASHER		8	
40	504 74 73-01	WASHER		2	
41	502 54 86-01	SKIRT		1	
42	587 04 09-01	MOUNTING PLATE		1	
	502 53 51-01	GRINDING HEAD	EU	1	
	502 53 51-02	GRINDING HEAD	US	1	
	586 49 20-01	REPAIR KIT		1	

Go to Discounted Equipment.com to order your parts

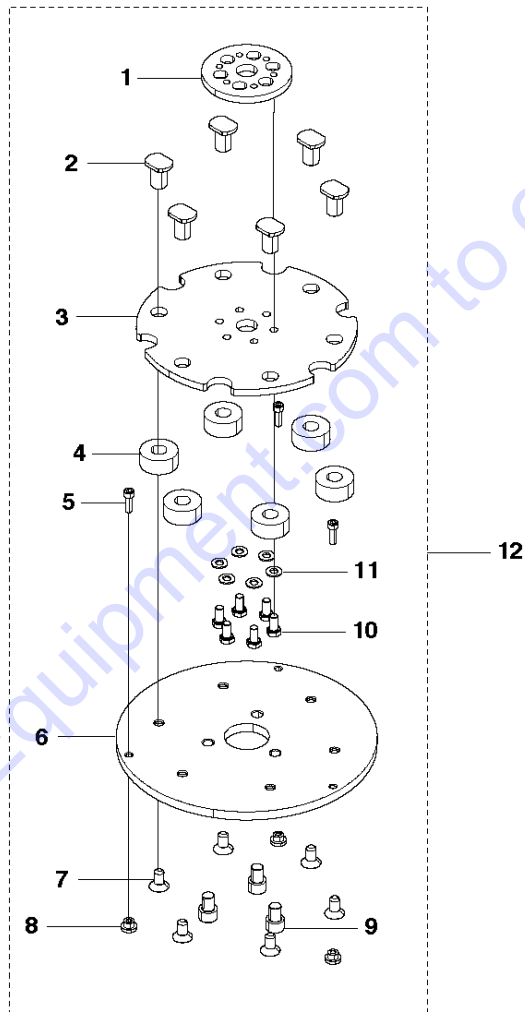


GRINDER

PG 820, To machine 0904-1 and forward, 2009-07

Ref	Part No	Description	Remark	QTY	KIT
1	735 31 33-00	CIRCLIP		8	
2	502 53 91-01	BALL BEARING		8	
3	502 53 68-01	PULLEY		4	
4	502 53 67-01	SHAFT		3	
5	735 31 37-00	CIRCLIP		9	
6	502 53 93-01	BALL BEARING		3	
7	502 53 64-01	PULLEY		3	
8	725 24 51-76	SCREW EHHM		19	
9	502 53 77-01	PLATE		3	
10	502 53 96-01	CIRCLIP		3	
11	502 53 95-01	BALL BEARING		3	
12	502 53 70-01	BEARING HOUSING		3	
13	502 53 97-01	RADIAL SEAL		3	
14	502 53 66-01	PULLEY SHAFT		3	
15	725 64 93-51	SCREW IHCSFM		2	
16	516 05 81-01	SHAFT		1	
17	502 53 82-01	FRAME		1	
18	725 25 15-71	SCREW EHHM		1	
19	731 23 20-01	HEXAGON NUT		1	
20	734 11 72-01	WASHER		2	
21	502 53 69-01	SHAFT		1	
22	502 53 65-01	PULLEY		1	
23	502 53 87-01	BALL BEARING		1	
24	502 53 88-01	CIRCLIP		1	
25	504 72 63-03	WASHER		1	
26	504 74 88-01	SCREW IHSCM		1	
27	502 53 75-01	BOTTOM PLATE		1	
28	734 11 78-01	WASHER		12	
29	725 25 32-71	SCREW EHHM		12	
30	543 04 66-47	WASHER		1	
31	502 53 40-01	SPRING STEEL SYSTEM		3	
32	516 05 84-01	SEAL		1	
33	504 72 78-01	COVER PLATE		1	
34	725 24 49-76	SCREW EHHM		20	
35	516 05 85-01	SEAL		1	
36	504 72 79-01	COVER PLATE		1	
37	725 23 66-71	SCREW EHHM		2	
38	502 53 73-01	BEARING HOUSING		1	
39	502 53 78-01	COVER PLATE		1	
40	725 24 60-81	SCREW EHHM		6	
41	504 72 95-01	WASHER		3	
42	504 72 80-01	COVER PLATE		3	
43	725 24 53-76	SCREW EHHM		18	
44	502 53 98-01	SEAL		3	
45	502 53 40-06	HUB		3	31
46	502 53 40-04	SPACER PLATE		3	31
47	502 53 40-05	RUBBER RING		3	31
48	725 24 93-76	SCREW EHHM		18	31
49	734 11 72-01	WASHER		18	31
50	502 53 42-01	SPRING PLATE		3	31
51	734 11 63-01	WASHER		18	31
52	502 53 40-14	SPACER		18	31
53	502 53 43-01	RING		3	31
54	725 53 70-51	SCREW IHSCM		9	31
55	502 53 40-02	PLATE		3	31
56	502 53 44-01	LOCK		9	31
57	504 74 84-01	SCREW IHSCM		9	31
58	504 74 96-03	LOCK WASHER		3	
59	504 74 89-01	SCREW EHHM		3	
60	502 54 23-01	DRIVE BELT		1	
61	725 25 34-71	SCREW EHHM		3	
62	502 53 22-01	HOLDER		3	
63	732 25 20-01	HEXAGON LOCKING NUT		1	
64	576 95 08-01	PULLEY		1	
65	575 58 48-01	PULLEY		1	

A4



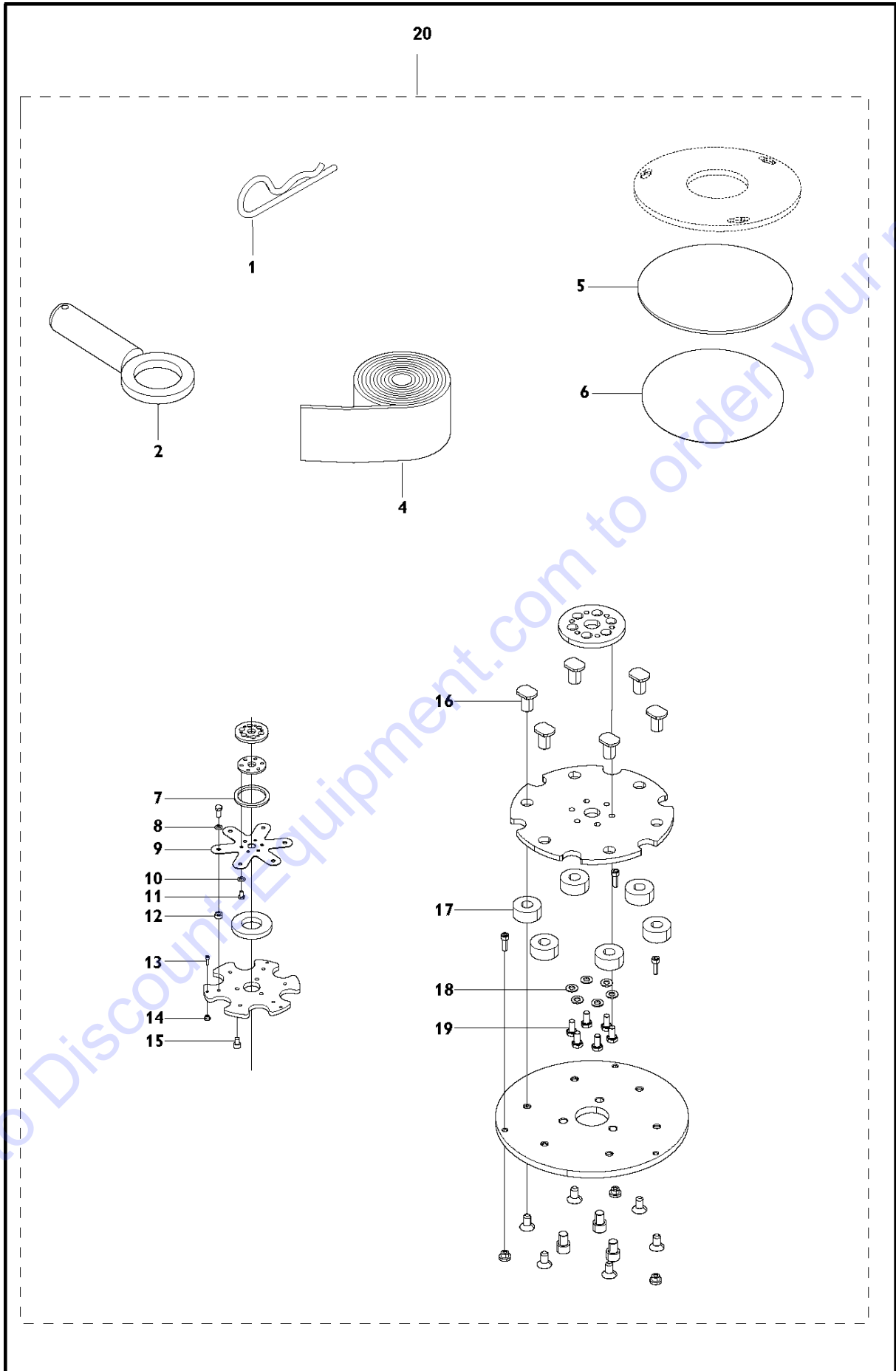
Go to Discount-Equipment.com to order your parts

GRINDING HEAD

PG 820, To machine 0904-1 and forward, 2009-07

Ref	Part No	Description	Remark	QTY	KIT
1	502 53 40-06	HUB		1	12
2	522 65 98-03	PEN		6	12
3	575 74 54-01	PLATE		1	12
4	502 53 39-01	WASHER		6	12
5	725 53 70-51	SCREW IHSCM		3	12
6	575 74 51-01	PLATE		1	12
7	725 64 91-51	SCREW IHCSFM		3	
8	502 53 44-01	LOCK		3	12
9	504 74 84-01	SCREW IHSCM		3	12
10	725 24 49-76	SCREW EHHM		6	12
11	734 11 63-01	WASHER		6	
12	502 53 38-01	GRINDING HEAD		1	

Go to Discount-Equipment.com to order your parts



ON SITE PARTS

PG 820, To machine 0904-1 and forward, 2009-07

Ref	Part No	Description	Remark	QTY	KIT
1	721 68 02-51	SPRING COTTER		2	20
2	504 72 97-01	PEN		2	20
4	502 53 46-01	SKIRT		1	20
5	502 53 19-01	HOLDER		3	20
6	587 15 47-01	DISC		3	20
7	502 53 40-05	RUBBER RING		3	20
8	734 11 72-01	WASHER		6	20
9	502 53 42-01	SPRING PLATE		3	20
10	734 11 63-01	WASHER		6	20
11	503 20 00-45	SCREW EHHFM		6	20
12	502 53 40-14	SPACER		6	20
13	725 53 70-51	SCREW IHSCM		6	20
14	502 53 44-01	LOCK		6	20
15	504 74 84-01	SCREW IHSCM		6	20
16	522 65 98-03	PEN		6	20
17	502 53 39-01	WASHER		6	20
18	734 11 63-01	WASHER		6	20
19	503 20 00-45	SCREW EHHFM		6	20
20	588 46 63-01	KIT	On site parts kit	1	

Go to Discount-Equipment.com to order your parts

PARTS FINDER

**Search Website
by Part Number**



**Search Manual
Library For Parts
Manual & Lookup Part
Numbers – Purchase
or Request Quote**

Search Manuals

Enter your information to help us find the right parts manual for your machine.

* Brand:

* Model:

* Serial:

* Part Number:

SEARCH

**Can't Find Part or
Manual? Request Help
by Manufacturer,
Model & Description**

Parts Order Form

Please fill in the following information to help us find the right part for your machine.

Manufacturer:	<input type="text"/>
Model:	<input type="text"/>
Description:	<input type="text"/>
Part Number:	<input type="text"/>
Quantity:	<input type="text"/>
Notes:	<input type="text"/>

Discount-Equipment.com is your online resource for quality parts & equipment.

Florida: **561-964-4949** Outside Florida TOLL FREE: **877-690-3101**

Need parts?

Click on this link: <http://www.discount-equipment.com/category/5443-parts/> and choose one of the options to help get the right parts and equipment you are looking for. Please have the machine model and serial number available in order to help us get you the correct parts. If you don't find the part on the website or on one of the online manuals, please fill out the request form and one of our experienced staff members will get back to you with a quote for the right part that your machine needs.

We sell worldwide for the brands: Genie, Terex, JLG, MultiQuip, Mikasa, Essick, Whiteman, Mayco, Toro Stone, Diamond Products, Generac Magnum, Airman, Haulotte, Barreto, Power Blanket, Nifty Lift, Atlas Copco, Chicago Pneumatic, Allmand, Miller Curber, Skyjack, Lull, Skytrak, Tsurumi, Husquvarna Target, Stow, Wacker, Sakai, Mi-T-M, Sullair, Basic, Dynapac, MBW, Weber, Bartell, Bennar Newman, Haulotte, Ditch Runner, Menegotti, Morrison, Contec, Buddy, Crown, Edco, Wyco, Bomag, Laymor, EZ Trench, Bil-Jax, F.S. Curtis, Gehl Pavers, Heli, Honda, ICS/PowerGrit, IHI, Partner, Imer, Clipper, MMD, Koshin, Rice, CH&E, General Equipment, Amida, Coleman, NAC, Gradall, Square Shooter, Kent, Stanley, Tamco, Toku, Hatz, Kohler, Robin, Wisconsin, Northrock, Oztec, Toker TK, Rol-Air, APT, Wylie, Ingersoll Rand / Doosan, Innovatech, Con X, Ammann, Mecalac, Makinex, Smith Surface Prep, Small Line, Wanco, Yanmar