



SPARE PARTS LIST

DRILLING EQUIPMENT

DM400, 2020-02

Go to Discount-Equipment.com to order your parts



PARTS FINDER

**Search Website
by Part Number**



**Search Manual
Library For Parts
Manual & Lookup Part
Numbers – Purchase
or Request Quote**

Search Manuals

Enter your information to help us find the right parts manual for your machine.

* Brand:

* Model:

* Serial:

* Part Number:

SEARCH

**Can't Find Part or
Manual? Request Help
by Manufacturer,
Model & Description**

Parts Order Form

Please fill in the following information to help us find the right part for your machine.

Manufacturer:	<input type="text"/>
Model:	<input type="text"/>
Description:	<input type="text"/>
Part Number:	<input type="text"/>
Quantity:	<input type="text"/>
Notes:	<input type="text"/>

Discount-Equipment.com is your online resource for quality parts & equipment.

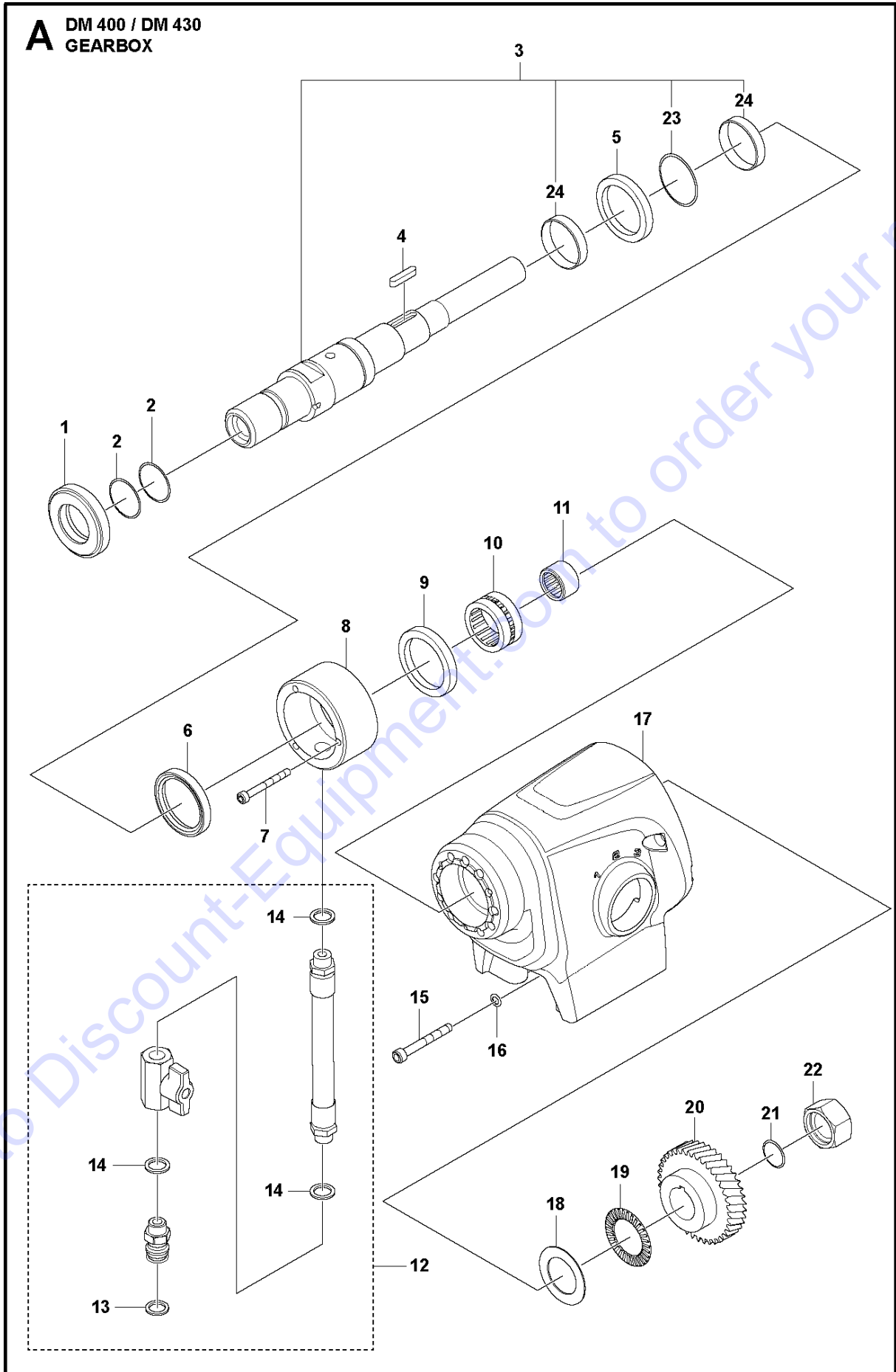
Florida: **561-964-4949** Outside Florida TOLL FREE: **877-690-3101**

Need parts?

Click on this link: <http://www.discount-equipment.com/category/5443-parts/> and choose one of the options to help get the right parts and equipment you are looking for. Please have the machine model and serial number available in order to help us get you the correct parts. If you don't find the part on the website or on one of the online manuals, please fill out the request form and one of our experienced staff members will get back to you with a quote for the right part that your machine needs.

We sell worldwide for the brands: Genie, Terex, JLG, MultiQuip, Mikasa, Essick, Whiteman, Mayco, Toro Stone, Diamond Products, Generac Magnum, Airman, Haulotte, Barreto, Power Blanket, Nifty Lift, Atlas Copco, Chicago Pneumatic, Allmand, Miller Curber, Skyjack, Lull, Skytrak, Tsurumi, Husquvarna Target, Stow, Wacker, Sakai, Mi-T-M, Sullair, Basic, Dynapac, MBW, Weber, Bartell, Bennar Newman, Haulotte, Ditch Runner, Menegotti, Morrison, Contec, Buddy, Crown, Edco, Wyco, Bomag, Laymor, EZ Trench, Bil-Jax, F.S. Curtis, Gehl Pavers, Heli, Honda, ICS/PowerGrit, IHI, Partner, Imer, Clipper, MMD, Koshin, Rice, CH&E, General Equipment, Amida, Coleman, NAC, Gradall, Square Shooter, Kent, Stanley, Tamco, Toku, Hatz, Kohler, Robin, Wisconsin, Northrock, Oztec, Toker TK, Rol-Air, APT, Wylie, Ingersoll Rand / Doosan, Innovatech, Con X, Ammann, Mecalac, Makinex, Smith Surface Prep, Small Line, Wanco, Yanmar

A DM 400 / DM 430
GEARBOX



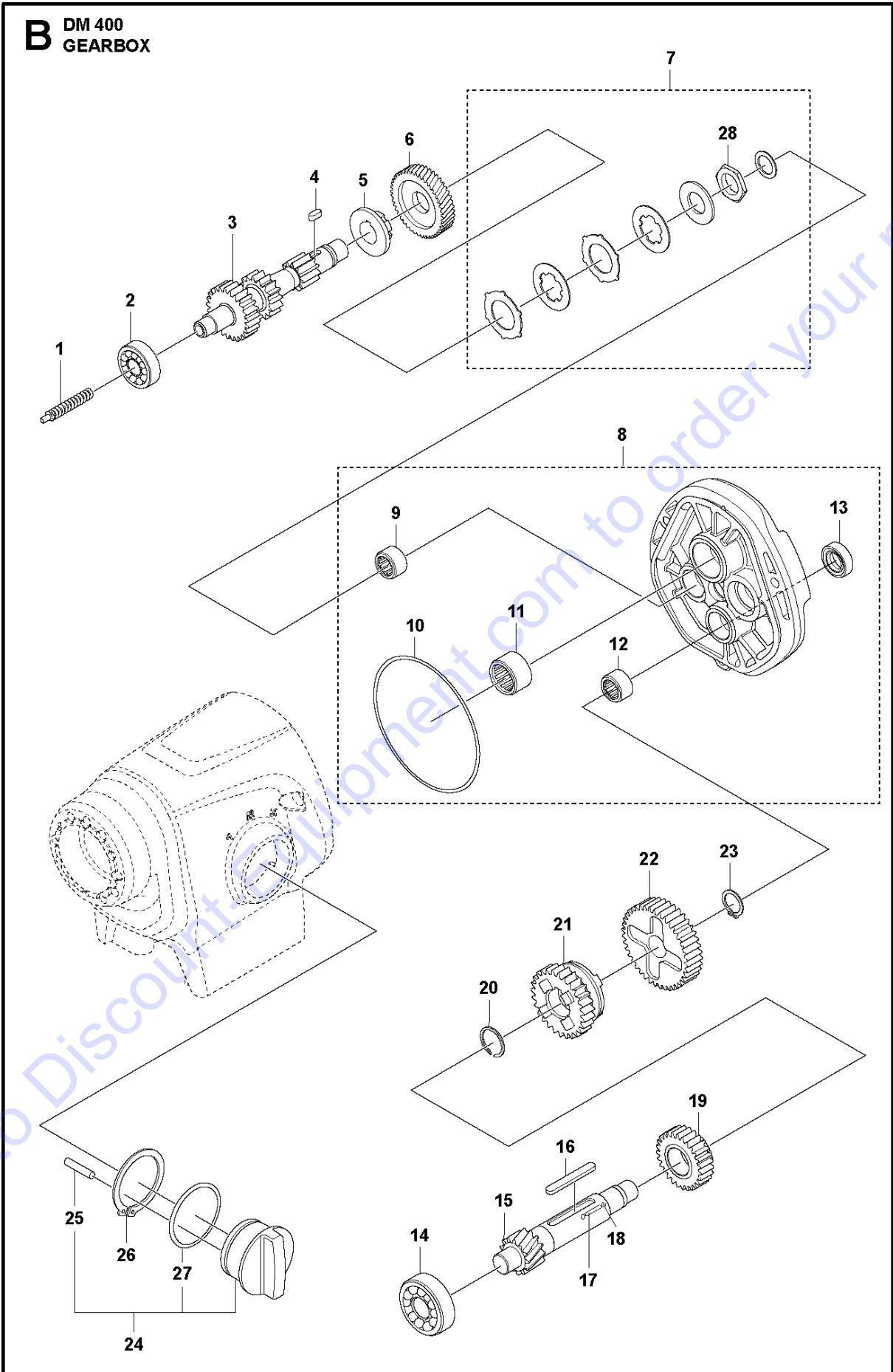
GEARBOX

DM400, 2020-02

Ref	Part No	Description	Remark	QTY	KIT
1	598 76 28-01	WASHER	QUICK RELEASE	1	
2	598 73 27-01	O-RING	32x1,5	2	
3	598 73 13-01	SPINDLE SHAFT	"ASSY 1 1/4"" UNC"	1	
3	598 73 13-02	SPINDLE SHAFT	ASSY CR1 28	1	
3	598 73 13-03	SPINDLE SHAFT	ASSY 32/28.9 Japan	1	
4	598 73 26-01	PARALLEL KEY		1	
5	598 73 23-01	RADIAL SEAL	40X52X7S	1	
6	598 73 21-01	RADIAL SEAL	40x52x7	1	
7	598 76 27-01	SCREW		3	
8	598 73 12-01	BUSHING		1	
9	598 73 22-01	RADIAL SEAL	38X50X7	1	
10	598 73 15-01	BEARING		1	
11	598 73 14-01	NEEDLE BEARING		1	
12	598 73 28-01	HOSE ASSY	KIT	1	
13	598 73 20-01	O-RING	RDR11x2,5	1	12
14	598 73 25-01	SEALING RING		3	12
15	598 76 26-01	SCREW		3	
16	598 76 17-01	WASHER		3	
17	598 73 10-01	GEAR HOUSING		1	
18	598 76 22-01	WASHER	THRUST BEARING WASHER	1	
19	598 73 16-01	BEARING	THRUST	1	
20	598 73 82-01	GEAR WHEEL		1	
21	598 73 19-01	O-RING	RDR20x3	1	
22	598 76 25-01	NUT		1	
23	598 85 54-01	O-RING	RDR34x2	1	3
24	598 85 53-01	SLEEVE	SPINDLE SHAFT	2	3

Go to Discount-Equipment.com to order your parts

B DM 400
GEARBOX



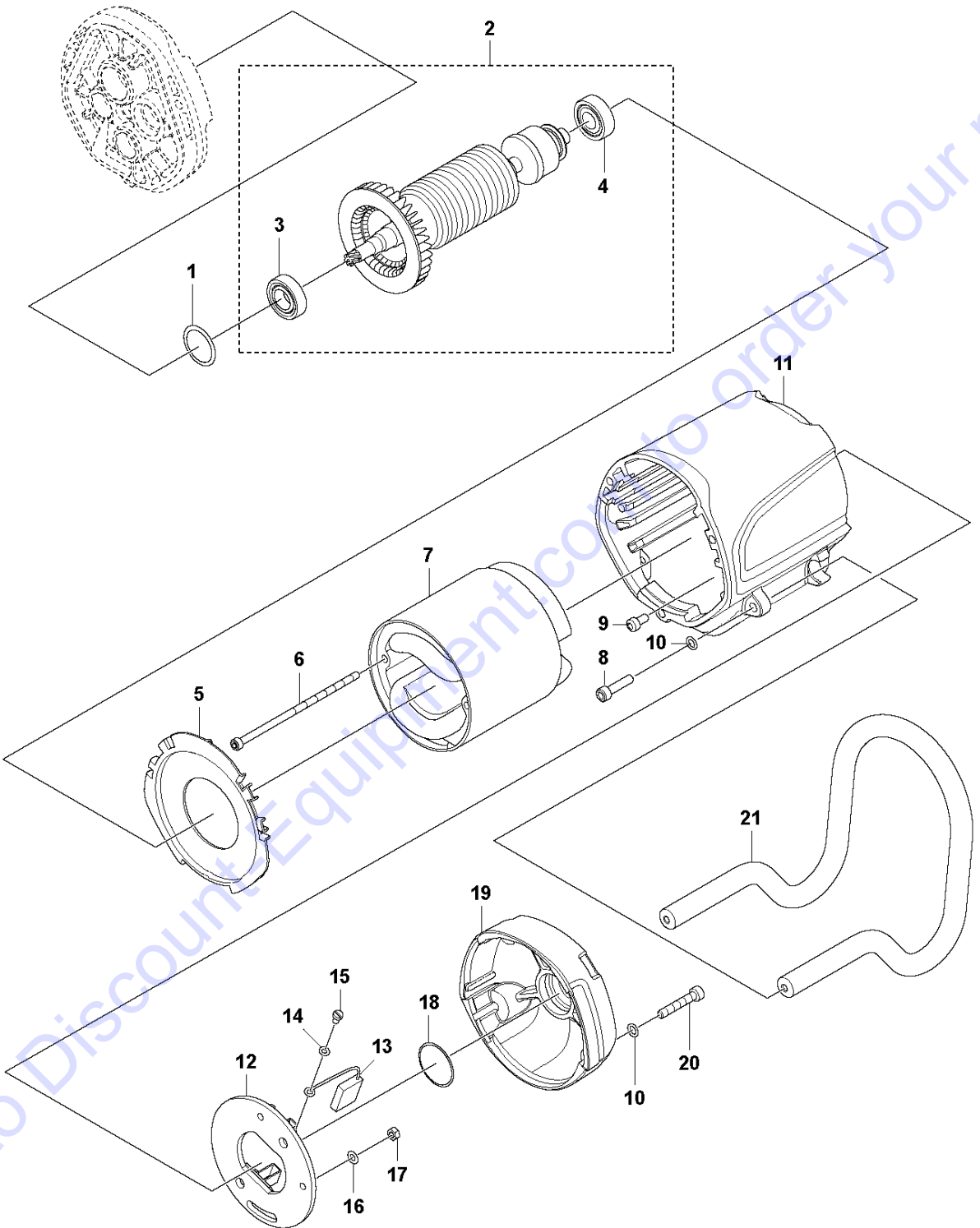
GEARBOX

DM400, 2020-02

Ref	Part No	Description	Remark	QTY	KIT
1	598 73 38-01	TUBE	SPIRAL	1	
2	598 73 40-01	BALL BEARING		1	
3	598 73 32-01	GEAR WHEEL SHAFT		1	
4	598 73 49-01	PARALLEL KEY	A4x4x10	1	
5	598 73 34-01	DRIVER		1	
6	598 73 33-01	GEAR WHEEL		1	
7	598 77 52-01	CLUTCH ASSY	SLIP CLUTCH	1	
8	598 73 53-01	COVER ASSY		1	
9	598 73 41-01	NEEDLE BEARING		1	8
10	598 73 44-01	O-RING		1	8
11	598 73 43-01	NEEDLE BEARING		1	8
12	598 95 31-01	NEEDLE BEARING		1	8
13	598 73 30-01	RADIAL SEAL		1	8
14	598 73 39-01	BALL BEARING		1	
15	598 73 83-01	GEAR WHEEL SHAFT		1	
16	598 73 48-01	PARALLEL KEY	A6x6x45	1	
17	598 73 46-01	PRESSURE SPRING		1	
18	598 79 69-01	BALL	GEAR CHANGE	2	
19	598 73 36-01	GEAR WHEEL		1	
20	598 79 56-01	RETAINER RING	DM650, CIRCLIP	1	
21	598 73 37-01	GEAR WHEEL		1	
22	598 73 35-01	GEAR WHEEL		1	
23	598 73 52-01	CIRCLIP	16x1	1	
24	598 73 31-01	GEARSHIFT LEVER		1	
25	598 73 50-01	PARALLEL PIN	5m6x25	1	24
26	598 73 51-01	CIRCLIP	42x1,75	1	
27	598 73 45-01	O-RING	O-RING	1	24
28	599 54 07-01	NUT	NUT	1	

Go to Discount-Equipment.com to order your parts

C DM 400 / DM 430
MOTOR



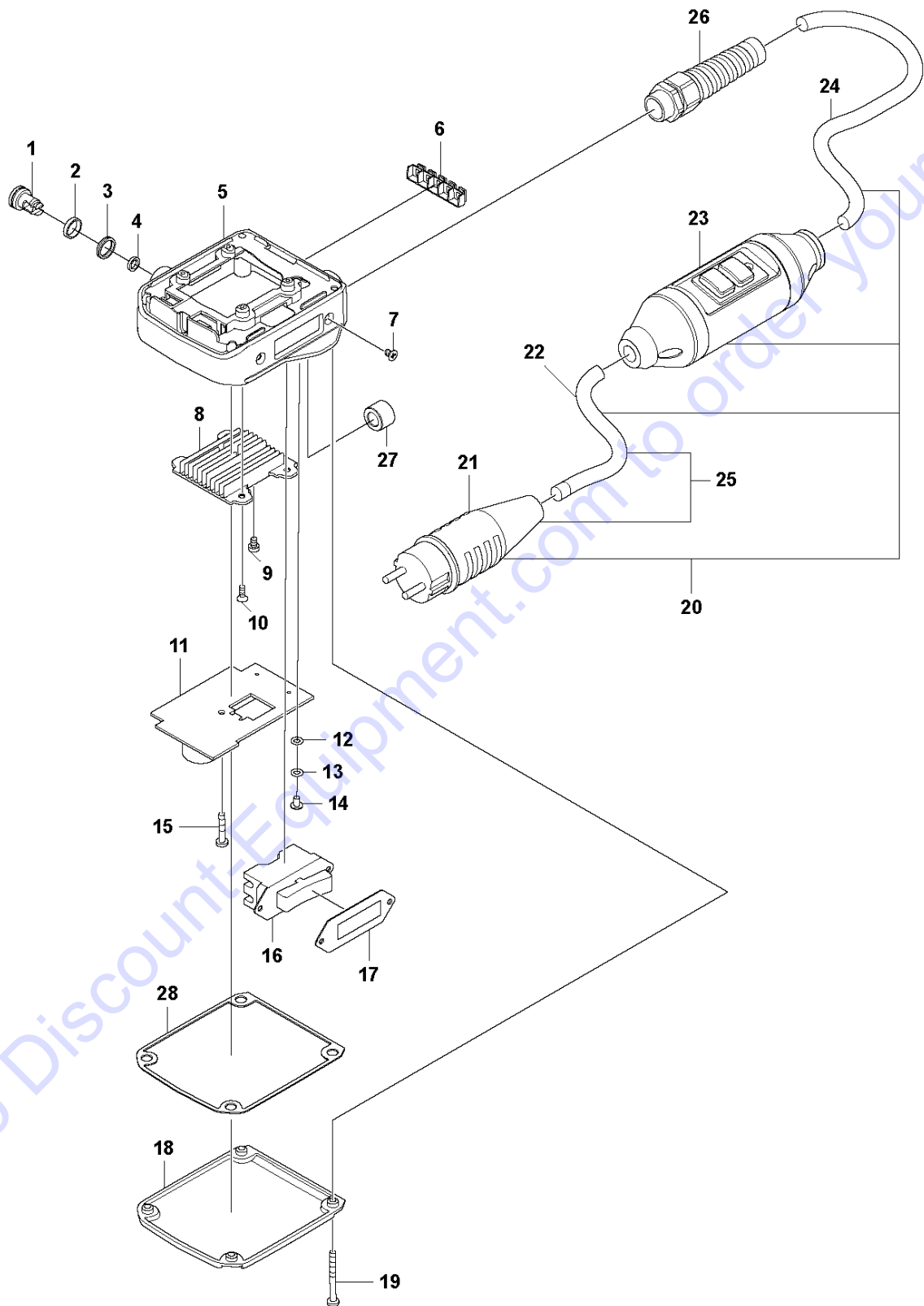
MOTOR

DM400, 2020-02

Ref	Part No	Description	Remark	QTY	KIT
1	598 73 67-01	SHIM	WASHER	1	
2	598 73 69-01	ROTOR	230V	1	
2	598 73 69-02	ROTOR	120V	1	
3	598 73 66-01	BALL BEARING	6002 Z	1	2
4	598 73 65-01	BALL BEARING	6201 2Z	1	2
5	598 73 63-01	AIR CONDUCTOR		1	
6	598 76 06-01	SCREW		2	
7	598 73 59-01	STATOR ASSY	230V	1	
7	598 73 59-02	STATOR ASSY	120V	1	
8	598 80 88-01	SCREW		2	
9	598 73 60-01	SLEEVE	INSULATING	1	
10	598 76 17-01	WASHER		5	
11	598 73 57-01	MOTOR HOUSING		1	
12	598 73 62-01	HOLDER	CARBON BRUSH	1	
13	598 73 64-01	CARBON BRUSH	SET 230V	1	12
13	598 73 64-02	CARBON BRUSH	SET 120V	1	12
14	598 76 19-01	WASHER		2	12
15	598 76 09-01	SCREW		2	12
16	598 76 18-01	WASHER		2	
17	732 21 14-01	LOCK NUT		2	
18	598 73 68-01	O-RING	RDR32x3	1	
19	598 73 58-01	COVER	MOTOR HOUSING	1	
20	598 76 05-01	SCREW		3	
21	598 79 77-01	HANDLE		1	

Go to Discount-Equipment.com to Order your parts

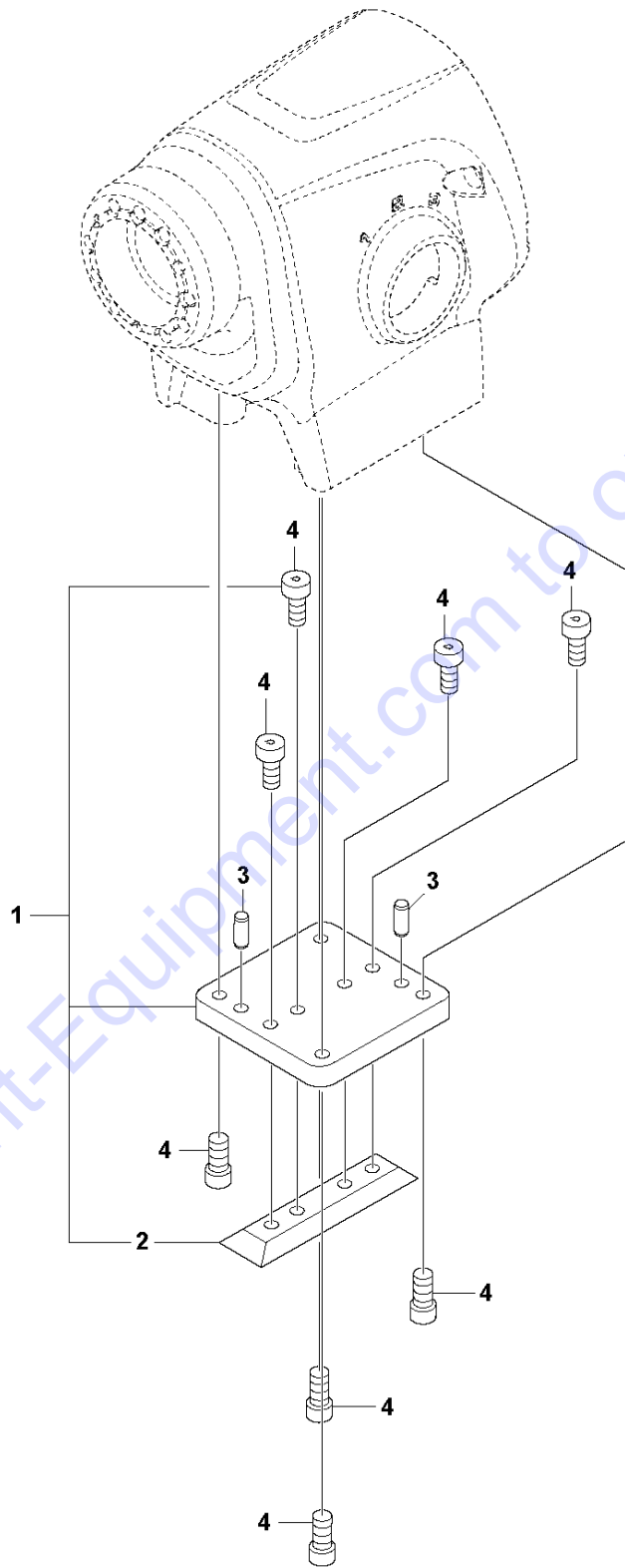
D DM 400 / DM 430
ELECTRICAL



Ref	Part No	Description	Remark	QTY	KIT
1	598 78 02-01	PUSH BUTTON		1	
2	598 78 01-01	O-RING	RDR 13x1,2	1	
3	598 78 00-01	SPRING	WAVE	1	
4	598 77 98-01	MAGNET	RING 10x7x2	1	
5	598 73 75-01	HOLDER	ELECTRONICS	1	
6	598 77 97-01	PROTECTIVE CAP		1	
7	598 76 10-01	SCREW		2	
8	598 73 73-01	COOLER		1	
9	598 76 16-01	SCREW		2	
10	598 76 11-01	SCREW		2	
11	598 73 72-01	PRINTED CIRCUIT BOARD	230V	1	
11	598 73 72-02	PRINTED CIRCUIT BOARD	120V	1	
12	598 76 19-01	WASHER		3	
13	598 80 94-01	WASHER		3	
14	598 80 90-01	SCREW		3	
15	598 80 93-01	SCREW		2	
16	598 73 79-01	SWITCH	POWER	1	
17	598 73 74-01	SEALING	SWITCH	1	
18	598 73 71-01	COVER	ELECTRONICS	1	
19	598 76 07-01	SCREW		4	
20	598 78 24-01	CABLE ASSY	INCL PRCD and PLUG US, JP	1	
21	598 73 80-01	PLUG	MAINS CH	1	20
21	598 73 80-02	PLUG	MAINS UK	1	20
22	598 73 76-01	CABLE	3G1,5x1,5m CH	1	20
23	598 78 37-01	CIRCUIT BREAKER	PRCD 230V	1	20
24	598 73 77-01	CABLE	3G1,5x2,3m 230V EU, CH, AU	1	20
24	598 73 77-02	CABLE	3G1,5x2,3m 230V BR	1	20
24	598 73 77-03	CABLE	3G4x3,8m 120V UK	1	20
25	598 73 81-01	CABLE ASSY	INCL PLUG EU	1	
25	598 73 81-02	CABLE ASSY	INCL PLUG AU	1	
25	598 73 81-03	CABLE ASSY	INCL PLUG BR	1	
26	598 73 78-01	CABLE SLEEVE		1	
27	599 38 88-01	FERRITE CORE	230 V	1	
27	599 38 88-02	FERRITE CORE	120 V	1	
28	599 44 88-01	SEALING		1	

Go to Discount-Equipment.com to order your parts

E DM 400 / DM 430
MOTOR BRACKET



Ref	Part No	Description	Remark	QTY	KIT
1	575 80 82-02	ATTACHMENT PLATE	ATTACHMENT PLATE	1	
2	575 80 81-01	WEDGE	WEDGE	1	1
3	720 14 01-06	PARALLEL PIN	PARALLEL PIN	2	
4	725 54 51-01	SCREW IHSCM	SCREW	8	1

Go to Discount-Equipment.com to order your parts

PARTS FINDER

**Search Website
by Part Number**



**Search Manual
Library For Parts
Manual & Lookup Part
Numbers – Purchase
or Request Quote**

Search Manuals

Enter your information to help us find the right parts manual for your machine.

* Brand:

* Model:

* Serial:

* Part Number:

SEARCH

**Can't Find Part or
Manual? Request Help
by Manufacturer,
Model & Description**

Parts Order Form

Please fill in the following information to help us find the right part for your machine.

Manufacturer:	<input type="text"/>
Model:	<input type="text"/>
Description:	<input type="text"/>
Part Number:	<input type="text"/>
Quantity:	<input type="text"/>
Notes:	<input type="text"/>

Submit

Discount-Equipment.com is your online resource for quality parts & equipment.

Florida: **561-964-4949** Outside Florida TOLL FREE: **877-690-3101**

Need parts?

Click on this link: <http://www.discount-equipment.com/category/5443-parts/> and choose one of the options to help get the right parts and equipment you are looking for. Please have the machine model and serial number available in order to help us get you the correct parts. If you don't find the part on the website or on one of the online manuals, please fill out the request form and one of our experienced staff members will get back to you with a quote for the right part that your machine needs.

We sell worldwide for the brands: Genie, Terex, JLG, MultiQuip, Mikasa, Essick, Whiteman, Mayco, Toro Stone, Diamond Products, Generac Magnum, Airman, Haulotte, Barreto, Power Blanket, Nifty Lift, Atlas Copco, Chicago Pneumatic, Allmand, Miller Curber, Skyjack, Lull, Skytrak, Tsurumi, Husquvarna Target, Stow, Wacker, Sakai, Mi-T-M, Sullair, Basic, Dynapac, MBW, Weber, Bartell, Bennar Newman, Haulotte, Ditch Runner, Menegotti, Morrison, Contec, Buddy, Crown, Edco, Wyco, Bomag, Laymor, EZ Trench, Bil-Jax, F.S. Curtis, Gehl Pavers, Heli, Honda, ICS/PowerGrit, IHI, Partner, Imer, Clipper, MMD, Koshin, Rice, CH&E, General Equipment, Amida, Coleman, NAC, Gradall, Square Shooter, Kent, Stanley, Tamco, Toku, Hatz, Kohler, Robin, Wisconsin, Northrock, Oztec, Toker TK, Rol-Air, APT, Wylie, Ingersoll Rand / Doosan, Innovatech, Con X, Ammann, Mecalac, Makinex, Smith Surface Prep, Small Line, Wanco, Yanmar