

Parts List
for Portable Generators
English

CPG 70-90-120 Jd



Engine 4045Jd

CPG 70-90-120 Jd

Engine 4045Jd

| | |
|--------------------------------------------------|----|
| Parts Index | 5 |
| Warranty and Liability | 9 |
| Safety Precautions for Portable compressors..... | 11 |
| Ordering Spare Parts..... | 10 |
| Parts Lists | 15 |

PARTS INDEX

| PART | PAGE | PART | PAGE | PART | PAGE |
|--------------------------------------|------------------------|-------------------------------|----------------|-------------------------------|------------------------|
| J | | P | | T | |
| JACK TONGUE | 44, 46 | PANEL | 48, 50 | SELECTOR SWITCH | 30, 31, 32, 48, 50, 52 |
| K | | PANEL ALTERNATOR | 31, 32 | SERVICE PAK | 15 |
| KEY | 34 | PANEL CONTROL | 48, 50 | SHIELD EXHAUST | 36 |
| KIT COOLANT RECOVER | 20 | PANEL CORNER | 63 | SHIELD HEAT EXHAUST | 36 |
| KIT COOLANT RECOVERY SYSTEM | 22 | PANEL CUBICLE DOOR | 48, 50 | SHUNT TRIP | 48, 50 |
| L | | PANEL EXHAUST | 36 | SIDE PANEL | 58 |
| LABEL | 38, 40, 42, 52 | PANEL LIGHT | 48, 50, 52 | SIDE PANEL ASSEMBLY | 34, 58 |
| LABEL AC INTERNET ADDRESS | 60 | PANEL ROOF REAR | 57 | SIDE SUPPORT | 34 |
| LABEL CALIFORNIA EMISSIONS | 38, 40, 42 | PANEL TERMINAL BOARD | 48, 50 | SPACER | 34 |
| LABEL CAUTION HOT EXHAUST | 38, 40, 42 | PARCOOL EG | 17 | SPACER ENGINE | 20 |
| LABEL EMERGENCY STOP | 48, 50 | PAROIL | 16 | STRIP | 52 |
| LABEL HIGH VOLTAGE | 27, 28, 29 | PIPE AIR INLET | 25 | SUPPORT | 48 |
| LABEL INFORMATION | 52 | PIPE PLUG | 20 | SUPPORT BREAKER | 50 |
| LABEL LOGO | 60, 65 | PLATE | 52, 55 | SUPPORT CAC BRACKET | 22 |
| LABEL MODEL DESIGNATION | 30, 31, 32 | PLATE ALTERNATOR | 31 | SUPPORT CAC BRACKET | 22 |
| LABEL NEUTRAL GROUNDED | 38, 40, 42 | PLATE ALTERNATOR MOUNT | 32 | SUPPORT CIRCUIT BREAKER | 52 |
| LABEL OPERATING INSTRUCTION | 61 | PLATE ALTERNATOR SWITCH | 31, 32 | SUPPORT COOLER | 20, 22, 34 |
| LABEL OPERATING | 61 | PLATE LIFTING BEAM | 34 | SUPPORT CROSS RAIL | 33 |
| LABEL OPERATING INSTRUCTION | 61 | PLATE HEAT DEFLECTOR | 36 | SWITCH | 48, 50, 52 |
| LABEL SELECTOR SWITCH POSITION | 30, 31, 32 | PLUG | 29, 52, 44, 55 | U | |
| LABEL WARNING | 38, 40, 42 | POTMETER | 48, 50, 52 | UPPER PIPE CAC | 22 |
| LABEL WARNING ALTERNATOR | 38, 40, 42 | PROTECTION | 48, 50, 52 | V | |
| LAMP LICENSE PLATE | 44, 46 | R | | VALVE | 20, 22 |
| LIGHT | 48, 50 | RADIATOR | 22 | VENT FRONT DOOR | 34, 64 |
| LOWER HOSE RADIATOR | 22 | RAIL DIN MOUNTING | 48, 50, 52 | VENT REAR DOOR | 34, 66, 67 |
| LOWER PIPE CAC | 22 | RAIN CAP | 36 | VIBRATION MOUNT | 33 |
| M | | RAIN GUARD | 52 | VOLTMETER | 48, 50, 52 |
| MARKINGS | 38, 39, 40, 41, 42, 43 | RAIN GUARD CUBICAL | 34 | W | |
| MOUNT CUBICLE | 55 | REAR PANEL ASSEMBLY | 34, 65 | X | |
| MOUNT-ENGINE | 33 | REAR PANEL | 62, 65 | Y | |
| MUDFLAP | 44, 46 | REAR ROOF ASSEMBLY | 34, 57 | Z | |
| MUFFLER | 36 | RECEPTACLE | 48, 50, 52 | AA | |
| O | | RED LIGHT | 44, 46 | AB | |
| OIL SYSTEM | 44 | RELAY | 25, 48, 50, 52 | AC | |
| O-RING | 44 | ROOF PANEL | 56 | AD | |
| P | | RUBBER BUFFER | 33 | AE | |
| S | | S | | AF | |
| SAFETY CHAIN | 44, 46 | SADDLE CLAMP | 36 | AG | |
| SADDLE CLAMP | 36 | T | | AH | |
| T | | U | | AI | |
| TERMINAL | 48, 50, 52 | V | | AJ | |
| TERMINAL BLOCK | 48, 50, 52 | W | | AK | |
| TERMINAL BOARD | 48, 50, 52 | X | | AL | |
| TERMINAL END STOP | 48, 50 | Y | | AM | |
| TOWING EYE | 44, 46 | Z | | AN | |
| TRAILER ASSEMBLY | 44, 45, 46, 47 | AA | | AO | |
| TRANSFORMER | 48, 50 | AB | | AP | |
| TRIP UNIT | 48 | AC | | AQ | |
| TUBE WALL | 22 | AD | | AR | |
| U | | AE | | AS | |
| UPPER PIPE CAC | 22 | AF | | AT | |
| V | | AG | | AV | |
| VALVE | 20, 22 | AH | | AW | |
| VENT FRONT DOOR | 34, 64 | AI | | AX | |
| VENT REAR DOOR | 34, 66, 67 | AJ | | AY | |
| VIBRATION MOUNT | 33 | AK | | AZ | |
| VOLTMETER | 48, 50, 52 | AL | | BA | |
| W | | AM | | BB | |
| X | | AN | | BC | |
| Y | | AO | | BD | |
| Z | | AP | | BE | |
| AA | | AQ | | BF | |
| AB | | AR | | BG | |
| AC | | AS | | BH | |
| AD | | AT | | BI | |
| AE | | AV | | BJ | |
| AF | | AW | | BK | |
| AG | | AX | | BL | |
| AH | | AY | | BM | |
| AI | | AZ | | BN | |
| AJ | | BA | | BO | |
| AK | | BB | | BP | |
| AL | | BC | | BQ | |
| AM | | BD | | BR | |
| AN | | BE | | BS | |
| AO | | BF | | BT | |
| AP | | BG | | BU | |
| AQ | | BH | | BV | |
| AR | | BI | | BW | |
| AS | | BJ | | BX | |
| AT | | BK | | BY | |
| AV | | BL | | BZ | |
| AW | | BM | | CA | |
| AX | | BN | | CB | |
| AY | | BO | | CC | |
| AZ | | BP | | CD | |
| BA | | BQ | | CE | |
| BB | | BR | | CF | |
| BC | | BS | | CG | |
| BD | | BT | | CH | |
| BE | | BU | | CI | |
| BF | | BV | | CJ | |
| BG | | BW | | CK | |
| BH | | BX | | CL | |
| BI | | BY | | CM | |
| BJ | | BZ | | CN | |
| BK | | CA | | CO | |
| BL | | CB | | CP | |
| BM | | CC | | CQ | |
| BN | | CD | | CR | |
| BO | | CE | | CS | |
| BP | | CF | | CT | |
| BQ | | CG | | CU | |
| BR | | CH | | CV | |
| BS | | CI | | CW | |
| BT | | CJ | | CX | |
| BU | | CK | | CY | |
| BV | | CL | | CZ | |
| BW | | CM | | DA | |
| BX | | CN | | DB | |
| BY | | CO | | DC | |
| BZ | | CP | | DD | |
| CA | | CQ | | DE | |
| CB | | CR | | DF | |
| CC | | CS | | DG | |
| CD | | CT | | DH | |
| CE | | CU | | DI | |
| CF | | CV | | DJ | |
| CG | | CW | | DK | |
| CH | | CX | | DL | |
| CI | | CY | | DM | |
| CJ | | CZ | | DN | |
| CK | | DA | | DO | |
| CL | | DB | | DP | |
| CM | | DC | | DQ | |
| CN | | DD | | DR | |
| CO | | DE | | DS | |
| CP | | DF | | DT | |
| CQ | | DG | | DU | |
| CR | | DH | | DV | |
| CS | | DI | | DW | |
| CT | | DJ | | DX | |
| CU | | DK | | DY | |
| CV | | DL | | DZ | |
| CW | | DM | | EA | |
| CX | | DN | | EB | |
| CY | | DO | | EC | |
| CZ | | DP | | ED | |
| DA | | DQ | | EE | |
| DB | | DR | | EF | |
| DC | | DS | | EG | |
| DD | | DT | | EH | |
| DE | | DU | | EI | |
| DF | | DV | | EJ | |
| DG | | DW | | EK | |
| DH | | DX | | EL | |
| DI | | DY | | EM | |
| DJ | | DZ | | EN | |
| DK | | EA | | EO | |
| DL | | EB | | EP | |
| DM | | EC | | EQ | |
| DN | | ED | | ER | |
| DO | | EE | | ES | |
| DP | | EF | | ET | |
| DQ | | EG | | EU | |
| DR | | EH | | EV | |
| DS | | EI | | EW | |
| DT | | EJ | | EX | |
| DU | | EK | | EY | |
| DV | | EL | | EZ | |
| DW | | EM | | FA | |
| DX | | EN | | FB | |
| DY | | EO | | FC | |
| DZ | | EP | | FD | |
| EA | | EQ | | FE | |
| EB | | ER | | FF | |
| EC | | ES | | FG | |
| ED | | ET | | FH | |
| EE | | EU | | FI | |
| EF | | EV | | FJ | |
| EG | | EW | | FK | |
| EH | | EX | | FL | |
| EI | | EY | | FM | |
| EJ | | EZ | | FN | |
| EK | | FA | | FO | |
| EL | | FB | | FP | |
| EM | | FC | | FQ | |
| EN | | FD | | FR | |
| EO | | FE | | FS | |
| EP | | FF | | FT | |
| EQ | | FG | | FU | |
| ER | | FH | | FV | |
| ES | | FI | | FW | |
| ET | | FJ | | FX | |
| EU | | FK | | FY | |
| EV | | FL | | FZ | |
| EW | | FM | | GA | |
| EX | | FN | | GB | |
| EY | | FO | | GC | |
| EZ | | FP | | GD | |
| FA | | FQ | | GE | |
| FB | | FR | | GF | |
| FC | | FS | | GG | |
| FD | | FT | | GH | |
| FE | | FU | | GI | |
| FF | | FV | | GJ | |
| FG | | FW | | GK | |
| FH | | FX | | GL | |
| FI | | FY | | GM | |
| FJ | | FZ | | GN | |
| FK | | GA | | GO | |
| FL | | GB | | GP | |
| FM | | GC | | GQ | |
| FN | | GD | | GR | |
| FO | | GE | | GS | |
| FP | | GF | | GT | |
| FQ | | GG | | GU | |
| FR | | GH | | GV | |
| FS | | GI | | GW | |
| FT | | GJ | | GX | |
| FU | | GK | | GY | |
| FV | | GL | | GZ | |
| FW | | GM | | HA | |
| FX | | GN | | HB | |
| FY | | GO | | HC | |
| FZ | | GP | | HD | |
| GA | | GQ | | HE | |
| GB | | GR | | HF | |
| GC | | GS | | HG | |
| GD | | GT | | HH | |
| GE | | GU | | HI | |
| GF | | GV | | HJ | |
| GG | | GW | | HK | |
| GH | | GX | | HL | |
| GI | | GY | | HM | |
| GJ | | GZ | | HN | |
| GK | | HA | | HO | |
| GL | | HB | | HP | |
| GM | | HC | | HQ | |
| GN | | HD | | HR | |
| GO | | HE | | HS | |
| | | | | | |

PARTS INDEX

| PART | PAGE | PART | PAGE | PART | PAGE |
|---------------------------|-------------|-------------|-------------|-------------|-------------|
| W | | | | | |
| WARNING LABEL | 52 | | | | |
| WHEEL-TIRE ASSEMBLY | 44, 46 | | | | |
| WINDOW | 61 | | | | |
| WIRE SET | 30, 31, 32 | | | | |
| WIRING HARNESS | 26 | | | | |
| Y | | | | | |
| YELLOW LIGHT | 44, 46 | | | | |

Warranty and Liability Limitation

Use only authorized parts.

Any damage or malfunction caused by the use of unauthorized parts is not covered by Warranty or Product Liability.

The manufacturer does not accept any liability for any damage arising for modifications, additions or conversions made without the manufacturer's approval in writing.

Derechos de reproducción 2011, Chicago Pneumatic,
Está prohibida toda utilización o reproducción total o parcial no autorizada de estos contenidos,
en especial de las marcas registradas, denominaciones de modelos, números de piezas y planos

Copyright 2011, Chicago Pneumatic

Any unauthorized use or copying of the contents or any part thereof is prohibited.

This applies in particular to trademarks, model denominations, part numbers and drawings

Limitation de garantie et de responsabilité

Utiliser uniquement les pièces homologuées.

Tout dommage ou mauvais fonctionnement dû à l'utilisation de pièces non homologuées n'est pas couvert par la garantie ou la responsabilité des produits défectueux.

Le fabricant décline toute responsabilité en cas de dommage faisant suite à des modifications, des ajouts ou des conversions effectués sans l'accord écrit du fabricant.

Copyright 2011, Chicago Pneumatic

Toute utilisation ou copie du contenu, ou d'une partie de celui-ci, non autorisée est interdite.

Cette interdiction s'applique en particulier aux marques de commerce, aux dénominations des modèles, aux numéros des pièces et aux schémas.

Limitación de garantía y responsabilidad

Use sólo piezas autorizadas.

La garantía o responsabilidad del producto no cubre ningún daño o funcionamiento defectuoso provocado por el uso de piezas no autorizadas.

El fabricante no acepta ninguna responsabilidad por los daños provocados por modificaciones, adiciones o conversiones realizadas sin la aprobación por escrito del fabricante.

ORDERING SPARE PARTS

ORDERING SPARE PARTS

Always quote the part number, the designation and the quantity of the parts required, as well as the type and the serial number of the machine.

EXPLANATION OF THE COLUMNS

REF : REFERENCE CODE

Establishes the connection between a part in the list and a part in the illustration.

"-" means that the part is not shown in the illustration.

PART NUMBER

If no part number is given, the part cannot be obtained as a spare part.

Parts marked with a dot are part of the assembly listed right above them.

DESIGNATION

Usually this is the name of the part. For standard parts, in addition to the name, a number of characteristics are given.

QTY : QUANTITY

Indicates the quantity of the part concerned. "AR" stands for "As Required".

COMMANDE DE PIÈCES DETACHEES

Toujours indiquer le numéro de pièce, la désignation, la quantité désirée ainsi que le type et le numéro de série du groupe.

EXPLICATION DES INTITULES DES COLONNES

REF : CODE DE REFERENCE

Réfère à la pièce détachée spécifiée dans la liste et sur l'illustration. "-" implique que la pièce n'est pas indiquée sur l'illustration.

PART NUMBER : NUMERO DE PIECE DETACHEE

Si le numéro n'est pas indiqué, la pièce n'est pas disponible en tant que pièce de rechange.

Les pièces indiquées par un point gras font partie de l'ensemble se trouvant au-dessus des pièces détachées correspondantes.

DESIGNATION

En général, le nom de la pièce. S'il s'agit de pièces standard, outre la désignation, un certain nombre de caractéristiques sont indiquées.

QTY : QUANTITE

Indique la quantité de la pièce détachée. "AR" indique "As required", c'est-à-dire la quantité à déterminer selon le cas.

PEDIDO DE PARTES

Siempre comunicar el número de parte, la designación y la cantidad deseada así como el tipo y el número de serie de la máquina.

INFORMACIONES SOBRE LAS COLUMNAS

REF : CODIGO DE REFERENCIA

Establece la conexión entre una parte en la lista y una parte en la ilustración.

"-" quiere decir que la parte no está ilustrada.

PART NUMBER : NUMERO DE PARTE

Si no se da ningún número, quiere decir que la parte no está disponible como parte de recambio.

Partes marcadas con un punto son partes del conjunto indicado más arriba.

DESIGNATION : DESIGNACION

Principalmente el nombre de la parte. En caso de partes estándares, el nombre es seguido por especificaciones.

QTY : CANTIDAD

Indica la cantidad de la parte correspondiente. La indicación "AR" significa "As Required" (como sea requerido).

SAFETY PRECAUTIONS FOR PORTABLE GENERATORS

To be read attentively and acted accordingly before towing, lifting, operating, performing maintenance or repairing the generator

0.1 INTRODUCTION

The policy of Chicago Pneumatic is to provide the users of their equipment with safe, reliable and efficient products. Factors taken into account are among others:

- the intended and predictable future use of the products, and the environments in which they are expected to operate,
- applicable rules, codes and regulations,
- the expected useful product life, assuming proper service and maintenance,
- providing the manual with up-to-date information.

Before handling any product, take time to read the relevant instruction manual. Besides giving detailed operating instructions, it also gives specific information about safety, preventive maintenance, etc.

Keep the manual always at the unit location, easy accessible to the operating personnel.

See also the safety precautions of the engine and possible other equipment, which are separately sent along or are mentioned on the equipment or parts of the unit.

These safety precautions are general and some statements will therefore not always apply to a particular unit.

Only people that have the right skills should be allowed to operate, adjust, perform maintenance or repair on Chicago Pneumatic equipment. It is the responsibility of management to appoint operators with the appropriate training and skill for each category of job.

Skill level 1: Operator

An operator is trained in all aspects of operating the unit with the push-buttons, and is trained to know the safety aspects.

Skill level 2: Mechanical technician

A mechanical technician is trained to operate the unit the same as the operator. In addition, the mechanical technician is also trained to perform maintenance and repair, as described in the instruction manual, and is allowed to change settings of the control and safety system. A mechanical technician does not work on live electrical components.

Skill level 3: Electrical technician

An electrical technician is trained and has the same

qualifications as both the operator and the mechanical technician. In addition, the electrical technician may carry out

electrical repairs within the various enclosures of the unit. This includes work on live electrical components.

Skill level 4: Specialist from the manufacturer

This is a skilled specialist sent by the manufacturer or its agent to perform complex repairs or modifications to the equipment.

In general it is recommended that not more than two people operate the unit, more operators could lead to unsafe operating conditions. Take necessary steps to keep unauthorized persons away from the unit and eliminate all possible sources of danger at the unit.

When handling, operating, overhauling and/or performing maintenance or repair on Chicago Pneumatic equipment, the mechanics are expected to use safe engineering practices and to observe all relevant local safety requirements and ordinances. The following list is a reminder of special safety directives and precautions mainly applicable to Chicago Pneumatic equipment.

Neglecting the safety precautions may endanger people as well as environment and machinery:

- endanger people due to electrical, mechanical or chemical influences,
- endanger the environment due to leakage of oil, solvents or other substances,
- endanger the machinery due to function failures.

All responsibility for any damage or injury resulting from neglecting these precautions or by non-observance of ordinary caution and due care required in handling, operating, maintenance or repair, also if not expressly mentioned in this instruction manual, is disclaimed by Chicago Pneumatic.

The manufacturer does not accept any liability for any damage arising from the use of non-original parts and for modifications, additions or conversions made without the manufacturer's approval in writing.

If any statement in this manual does not comply with local legislation, the stricter of the two shall be applied.

Statements in these safety precautions should not be interpreted as suggestions, recommendations or inducements that it should be used in violation of any

applicable laws or regulations.

0.2 GENERAL SAFETY PRECAUTIONS

- 1 The owner is responsible for maintaining the unit in a safe operating condition. Unit parts and accessories must be replaced if missing or unsuitable for safe operation.
- 2 The supervisor, or the responsible person, shall at all times make sure that all instructions regarding machinery and equipment operation and maintenance are strictly followed and that the machines with all accessories and safety devices, as well as the consuming devices, are in good repair, free of abnormal wear or abuse, and are not tampered with.
- 3 Whenever there is an indication or any suspicion that an internal part of a machine is overheated, the machine shall be stopped but no inspection covers shall be opened before sufficient cooling time has elapsed; this to avoid the risk of spontaneous ignition of oil vapour when air is admitted.
- 4 Normal ratings (pressures, temperatures, speeds, etc.) shall be durably marked.
- 5 Operate the unit only for the intended purpose and within its rated limits (pressure, temperature, speeds, etc.).
- 6 The machinery and equipment shall be kept clean, i.e. as free as possible from oil, dust or other deposits.
- 7 To prevent an increase in working temperature, inspect and clean heat transfer surfaces (cooler fins, intercoolers, water jackets, etc.) regularly. See the maintenance schedule.
- 8 All regulating and safety devices shall be maintained with due care to ensure that they function properly. They may not be put out of action.
- 9 Pressure and temperature gauges shall be checked regularly with regard to their accuracy. They shall be replaced whenever outside acceptable tolerances.
- 10 Safety devices shall be tested as described in the maintenance schedule of the instruction manual to determine that they are in good operating condition.
- 11 Mind the markings and information labels on the unit.
- 12 In the event the safety labels are damaged or destroyed, they must be replaced to ensure operator safety.

- 13 Keep the work area neat. Lack of order will increase the risk of accidents.
- 14 When working on the unit, wear safety clothing. Depending on the kind of activities these are: safety glasses, ear protection, safety helmet (including visor), safety gloves, protective clothing, safety shoes. Do not wear the hair long and loose (protect long hair with a hairnet), or wear loose clothing or jewelry.
- 15 Take precautions against fire. Handle fuel, oil and anti-freeze with care because they are inflammable substances. Do not smoke or approach with naked flame when handling such substances. Keep a fire-extinguisher in the vicinity.
- 16a **Portable generators (with earthing pin):**
Earth the generator as well as the load properly.
- 16b **Portable generators IT:**
Note: This generator is built to supply a sheer alternating current IT network.
Earth the load properly.

0.3 SAFETY DURING TRANSPORT AND INSTALLATION

To lift a unit, all loose or pivoting parts, e.g. doors and towbar, shall first be securely fastened.

Do not attach cables, chains or ropes directly to the lifting eye; apply a crane hook or lifting shackle meeting local safety regulations. Never allow sharp bends in lifting cables, chains or ropes.

Helicopter lifting is not allowed.

It is strictly forbidden to dwell or stay in the risk zone under a lifted load. Never lift the unit over people or residential areas. Lifting acceleration and retardation shall be kept within safe limits.

- 1 Before towing the unit:
 - check the towbar, the brake system and the towing eye. Also check the coupling of the towing vehicle,
 - check the towing and brake capability of the towing vehicle,
 - check that the towbar, jockey wheel or stand leg is safely locked in the raised position,
 - ascertain that the towing eye can swivel freely on the hook,
 - check that the wheels are secure and that the tyres are in good condition and inflated correctly,
 - connect the signalisation cable, check all lights and connect the pneumatic brake couplers,
 - attach the safety break-away cable or safety chain to the towing vehicle,
 - remove wheel chocks, if applied, and disengage the parking brake.
- 2 To tow a unit use a towing vehicle of ample capacity. Refer to the documentation of the towing vehicle.
- 3 If the unit is to be backed up by the towing vehicle, disengage the overrun brake mechanism (if it is not an automatic mechanism).
- 4 Never exceed the maximum towing speed of the unit (mind the local regulations).
- 5 Place the unit on level ground and apply the parking brake before disconnecting the unit from the towing vehicle. Unclip the safety break-away cable or safety chain. If the unit has no parking brake or jockey wheel, immobilize the unit by placing chocks in front of and/or behind the wheels. When the towbar can be positioned vertically, the locking device must be applied and kept

in good order.

- 6 To lift heavy parts, a hoist of ample capacity, tested and approved according to local safety regulations, shall be used.
- 7 Lifting hooks, eyes, shackles, etc., shall never be bent and shall only have stress in line with their design load axis. The capacity of a lifting device diminishes when the lifting force is applied at an angle to its load axis.
- 8 For maximum safety and efficiency of the lifting apparatus all lifting members shall be applied as near to perpendicular as possible. If required, a lifting beam shall be applied between hoist and load.
- 9 Never leave a load hanging on a hoist.
- 10 A hoist has to be installed in such a way that the object will be lifted perpendicular. If that is not possible, the necessary precautions must be taken to prevent load-swinging, e.g. by using two hoists, each at approximately the same angle not exceeding 30° from the vertical.
- 11 Locate the unit away from walls. Take all precautions to ensure that hot air exhausted from the engine and driven machine cooling systems cannot be recirculated. If such hot air is taken in by the engine or driven machine cooling fan, this may cause overheating of the unit; if taken in for combustion, the engine power will be reduced.
- 12 Generators shall be stalled on an even, solid floor, in a clean location with sufficient ventilation. If the floor is not level or can vary in inclination, consult Chicago Pneumatic.
- 13 The electrical connections shall correspond to local codes. The machines shall be earthed and protected against short circuits by fuses or circuit breakers.
- 14 Never connect the generator outlets to an installation which is also connected to a public mains.
- 15 Before connecting a load, switch off the corresponding circuit breaker, and check whether frequency, voltage, current and power factor comply with the ratings of the generator.

0.4 SAFETY DURING USE AND OPERATION

- 1 When the unit has to operate in a fire-hazardous environment, each engine exhaust has to be provided with a spark arrestor to trap incendiary sparks.
- 2 The exhaust contains carbon monoxide which is a lethal gas. When the unit is used in a confined space, conduct the engine exhaust to the outside atmosphere by a pipe of sufficient diameter; do this in such a way that no extra back pressure is created for the engine. If necessary, install an extractor. Observe any existing local regulations. Make sure that the unit has sufficient air intake for operation. If necessary, install extra air intake ducts.
- 3 When operating in a dust-laden atmosphere, place the unit so that dust is not carried towards it by the wind. Operation in clean surroundings considerably extends the intervals for cleaning the air intake filters and the cores of the coolers.
- 4 Never remove a filler cap of the cooling water system of a hot engine. Wait until the engine has sufficiently cooled down.
- 5 Never refill fuel while the unit is running, unless otherwise stated in the Chicago Pneumatic Instruction Book (AIB). Keep fuel away from hot parts such as air outlet pipes or the engine exhaust. Do not smoke when fuelling. When fuelling from an automatic pump, an earthing cable should be connected to the unit to discharge static electricity. Never spill nor leave oil, fuel, coolant or cleansing agent in or around the unit.
- 6 All doors shall be shut during operation so as not to disturb the cooling air flow inside the bodywork and/or render the silencing less effective. A door should be kept open for a short period only e.g. for inspection or adjustment.
- 7 Periodically carry out maintenance works according to the maintenance schedule.
- 8 Stationary housing guards are provided on all rotating or reciprocating parts not otherwise protected and which may be hazardous to personnel. Machinery shall never be put into operation, when such guards have been removed, before the guards are securely reinstalled.
- 9 Noise, even at reasonable levels, can cause irritation and disturbance which, over a long period of time, may cause severe injuries to the nervous system of human beings.
When the sound pressure level, at any point where

- personnel normally has to attend, is:
below 70 dB(A):no action needs to be taken,
above 70 dB(A):noise-protective devices should be provided for people continuously being present in the room,
below 85 dB(A):no action needs to be taken for occasional visitors staying a limited time only,
above 85 dB(A):room to be classified as a noise-hazardous area and an obvious warning shall be placed permanently at each entrance to alert people entering the room, for even relatively short times, about the need to wear ear protectors,
above 95 dB(A):the warning(s) at the entrance(s) shall be completed with the recommendation that also occasional visitors shall wear ear protectors,
above 105 dB(A):special ear protectors that are adequate for this noise level and the spectral composition of the noise shall be provided and a special warning to that effect shall be placed at each entrance.
- 10 Insulation or safety guards of parts the temperature of which can be in excess of 80 °C (175 °F) and which may be accidentally touched by personnel shall not be removed before the parts have cooled to room temperature.
 - 11 Never operate the unit in surroundings where there is a possibility of taking in flammable or toxic fumes.
 - 12 If the working process produces fumes, dust or vibration hazards, etc., take the necessary steps to eliminate the risk of personnel injury.
 - 13 When using compressed air or inert gas to clean down equipment, do so with caution and use the appropriate protection, at least safety glasses, for the operator as well as for any bystander. Do not apply compressed air or inert gas to your skin or direct an air or gas stream at people. Never use it to clean dirt from your clothes.
 - 14 When washing parts in or with a cleaning solvent, provide the required ventilation and use appropriate protection such as a breathing filter, safety glasses, rubber apron and gloves, etc.
 - 15 Safety shoes should be compulsory in any workshop and if there is a risk, however small, of falling objects, wearing of a safety helmet should be included.
 - 16 If there is a risk of inhaling hazardous gases, fumes or dust, the respiratory organs must be protected and depending on the nature of the hazard, so must the eyes and skin.
 - 17 Remember that where there is visible dust, the finer,

- invisible particles will almost certainly be present too; but the fact that no dust can be seen is not a reliable indication that dangerous, invisible dust is not present in the air.
- 18 Never operate the generator in excess of its limits as indicated in the technical specifications and avoid long no-load sequences.
 - 19 Never operate the generator in a humid atmosphere. Excessive moisture causes worsening of the generator insulation.
 - 20 Do not open electrical cabinets, cubicles or other equipment while voltage is supplied. If such cannot be avoided, e.g. for measurements, tests or adjustments, have the action carried out by a qualified electrician only, with appropriate tools, and ascertain that the required bodily protection against electrical hazards is applied.
 - 21 Never touch the power terminals during operation of the machine.
 - 22 Whenever an abnormal condition arises, e.g. excessive vibration, noise, odour, etc., switch the circuit breakers to OFF and stop the engine. Correct the faulty condition before restarting.
 - 23 Check the electric cables regularly. Damaged cables and insufficient lightening of connections may cause electric shocks. Whenever damaged wires or dangerous conditions are observed, switch the circuit breakers to OFF and stop the engine. Replace the damaged wires or correct the dangerous condition before restarting. Make sure that all electric connections are securely tightened.
 - 24 Avoid overloading the generator. The generator is provided with circuit breakers for overload protection. When a breaker has tripped, reduce the concerned load before restarting.
 - 25 If the generator is used as stand-by for the mains supply, it must not be operated without control system which automatically disconnects the generator from the mains when the mains supply is restored.
 - 26 Never remove the cover of the output terminals during operation. Before connecting or disconnecting wires, switch off the load and the circuit breakers, stop the machine and make sure that the machine cannot be started inadvertently or there is any residual voltage on the power circuit.
 - 27 Running the generator at low load for long periods will reduce the lifetime of the engine.

0.5 SAFETY DURING MAINTENANCE AND REPAIR

Maintenance, overhaul and repair work shall only be carried out by adequately trained personnel; if required, under supervision of someone qualified for the job.

- 1 Use only the correct tools for maintenance and repair work, and only tools which are in good condition.
- 2 Parts shall only be replaced by genuine Chicago Pneumatic replacement parts.
- 3 All maintenance work, other than routine attention, shall only be undertaken when the unit is stopped. Steps shall be taken to prevent inadvertent starting. In addition, a warning sign bearing a legend such as "work in progress; do not start" shall be attached to the starting equipment.
On engine-driven units the battery shall be disconnected and removed or the terminals covered by insulating caps.
On electrically driven units the main switch shall be locked in open position and the fuses shall be taken out. A warning sign bearing a legend such as "work in progress; do not supply voltage" shall be attached to the fuse box or main switch.
- 4 Prior to stripping an engine or other machine or undertaking major overhaul on it, prevent all movable parts from rolling over or moving.
- 5 Make sure that no tools, loose parts or rags are left in or on the machine. Never leave rags or loose clothing near the engine air intake.
- 6 Never use flammable solvents for cleaning (fire-risk).
- 7 Take safety precautions against toxic vapours of cleaning liquids.
- 8 Never use machine parts as a climbing aid.
- 9 Observe scrupulous cleanliness during maintenance and repair. Keep away dirt, cover the parts and exposed openings with a clean cloth, paper or tape.
- 10 Never weld on or perform any operation involving heat near the fuel or oil systems. Fuel and oil tanks must be completely purged, e.g. by steam-cleaning, before carrying out such operations. Never weld on, or in any way modify, pressure vessels. Disconnect the alternator cables during arc welding on the unit.
- 11 Support the towbar and the axle(s) securely if working underneath the unit or when removing a wheel. Do not

rely on jacks.

- 12 Do not remove any of, or tamper with, the sound-damping material. Keep the material free of dirt and liquids such as fuel, oil and cleansing agents. If any sound-damping material is damaged, replace it to prevent the sound pressure level from increasing.
- 13 Use only lubricating oils and greases recommended or approved by Chicago Pneumatic or the machine manufacturer. Ascertain that the selected lubricants comply with all applicable safety regulations, especially with regard to explosion or fire-risk and the possibility of decomposition or generation of hazardous gases. Never mix synthetic with mineral oil.
- 14 Protect the engine, alternator, air intake filter, electrical and regulating components, etc., to prevent moisture ingress, e.g. when steam-cleaning.
- 15 When performing any operation involving heat, flames or sparks on a machine, the surrounding components shall first be screened with non-flammable material.
- 16 Never use a light source with open flame for inspecting the interior of a machine.
- 17 When repair has been completed, the machine shall be barred over at least one revolution for reciprocating machines, several revolutions for rotary ones to ensure that there is no mechanical interference within the machine or driver. Check the direction of rotation of electric motors when starting up the machine initially and after any alteration to the electrical connection(s) or switch gear, to check that the oil pump and the fan function properly.
- 18 Maintenance and repair work should be recorded in an operator's logbook for all machinery. Frequency and nature of repairs can reveal unsafe conditions.
- 19 When hot parts have to be handled, e.g. shrink fitting, special heat-resistant gloves shall be used and, if required, other body protection shall be applied.
- 20 When using cartridge type breathing filter equipment, ascertain that the correct type of cartridge is used and that its useful service life is not surpassed.
- 21 Make sure that oil, solvents and other substances likely to pollute the environment are properly disposed of.
- 22 Before clearing the generator for use after maintenance or overhaul, submit it to a testrun, check that the AC power performance is correct and that the control and shutdown devices function correctly.

0.6 TOOL APPLICATIONS SAFETY

Apply the proper tool for each job. With the knowledge of correct tool use and knowing the limitations of tools, along with some common sense, many accidents can be prevented.

Special service tools are available for specific jobs and should be used when recommended. The use of these tools will save time and prevent damage to parts.

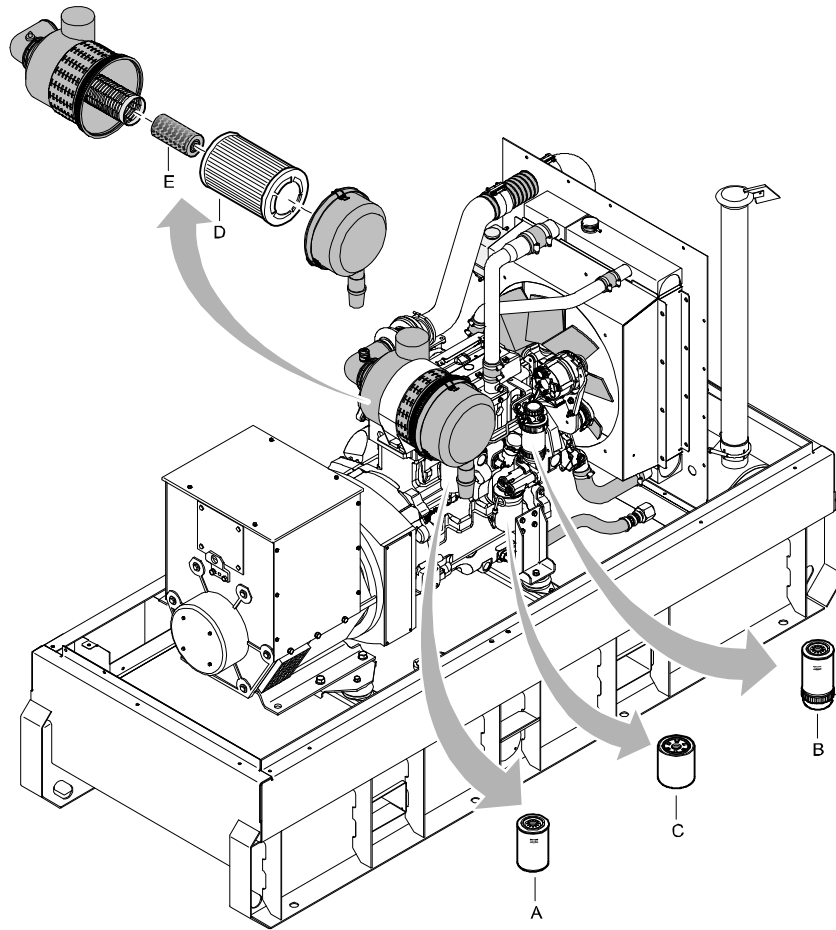
0.7 SPECIFIC SAFETY PRECAUTIONS

Batteries

When servicing batteries, always wear protecting clothing and glasses.

- 1 The electrolyte in batteries is a sulphuric acid solution which is fatal if it hits your eyes, and which can cause burns if it contacts your skin. Therefore, be careful when handling batteries, e.g. when checking the charge condition.
- 2 Install a sign prohibiting fire, open flame and smoking at the post where batteries are being charged.
- 3 When batteries are being charged, an explosive gas mixture forms in the cells and might escape through the vent holes in the plugs.
Thus an explosive atmosphere may form around the battery if ventilation is poor, and can remain in and around the battery for several hours after it has been charged. Therefore:
 - never smoke near batteries being, or having recently been, charged,
 - never break live circuits at battery terminals, because a spark usually occurs.
- 4 When connecting an auxiliary battery (AB) in parallel to the unit battery (CB) with booster cables: connect the + pole of AB to the + pole of CB, then connect the - pole of CB to the mass of the unit. Disconnect in the reverse order.

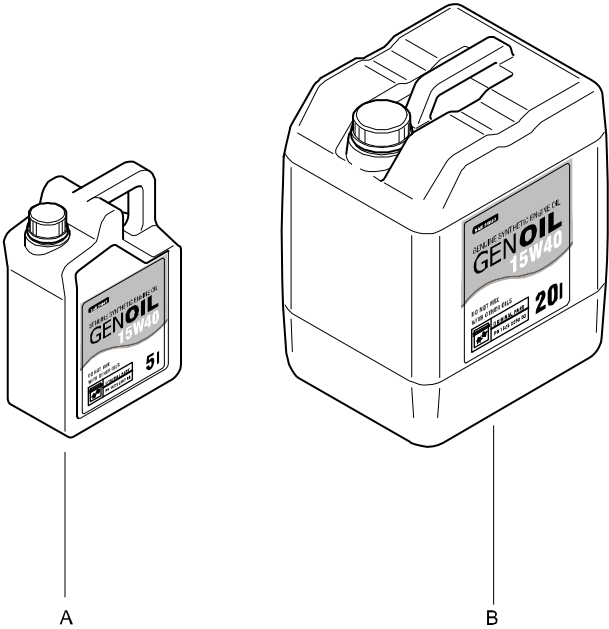
SERVICE PAK



| REF | PART NUMBER | DESIGNATION | QTY |
|-----|--------------|--------------------|-----|
| - | 1310 3004 45 | SERVICE PAK 500HR | |
| •A | - | FUEL FILTER | 1 |
| •B | - | FUEL FILTER | 1 |
| •C | - | OIL FILTER | 1 |
| - | 1310 3004 46 | SERVICE PAK 1000HR | |
| •A | - | FUEL FILTER | 1 |
| •B | - | FUEL FILTER | 1 |
| •C | - | OIL FILTER | 1 |
| •D | - | AIR FILTER ELEMENT | 1 |

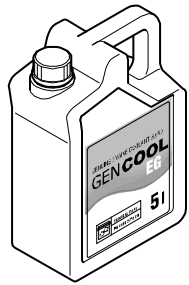
ENGINE OIL - GENOIL 15W40

| REF | PART NUMBER | DESIGNATION | QTY |
|-----|--------------|--------------------------|-----|
| A | 1626 2262 00 | GENOIL 15W 40 (5 LITER) | 1 |
| B | 1626 2263 00 | GENOIL 15W 40 (20 LITER) | 1 |

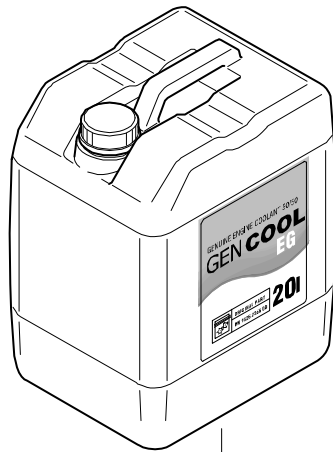


ENGINE COOLANT - GENCOOL EG

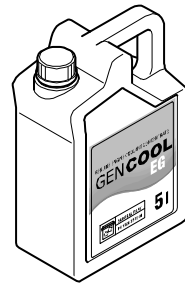
| REF | PART NUMBER | DESIGNATION | QTY |
|-----|--------------|-------------------------------------|-----|
| A | 1626 2255 00 | GENCOOL EG (5 LITER) | 1 |
| B | 1626 2257 00 | GENCOOL EG (5 LITER) CONCENTRATE | 1 |
| C | 1626 2256 00 | GENCOOL EG (20 LITER) | 1 |



A



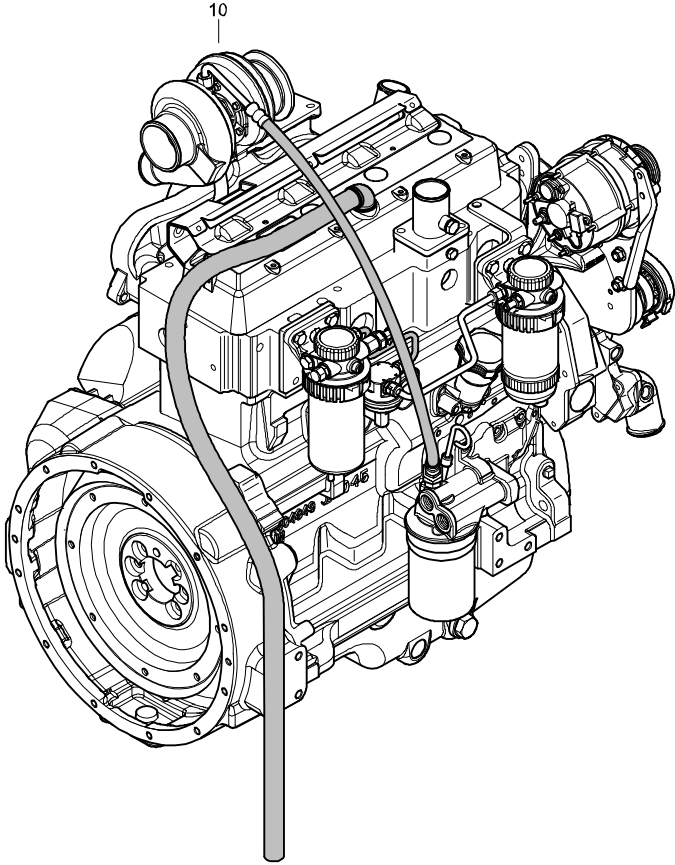
B



C

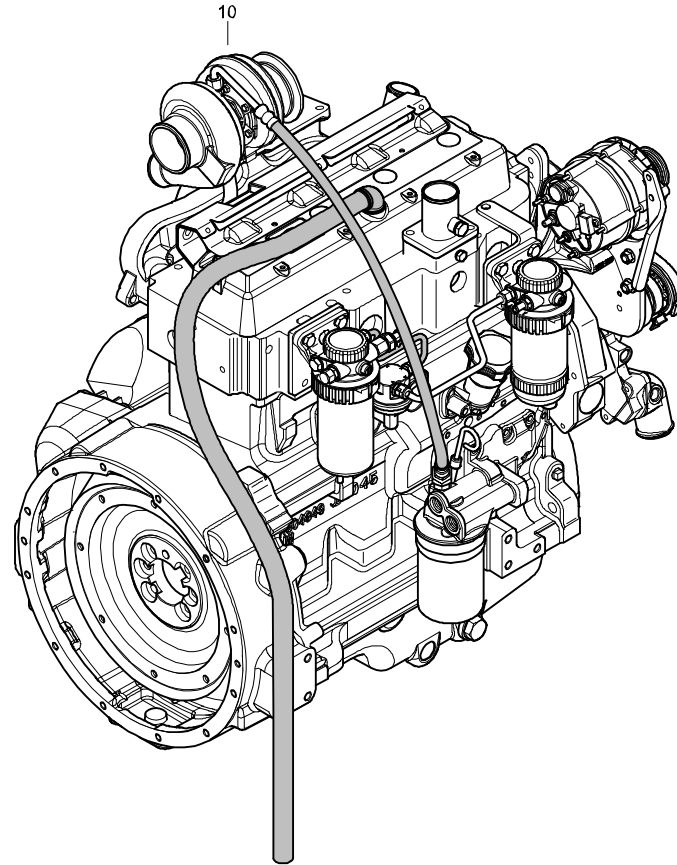
ENGINE - CPG 70 - STANDARD

| REF | PART NUMBER | DESIGNATION | QTY |
|------------|--------------------|--------------------|------------|
| 10 | 1310 0304 67 | ENGINE | 1 |

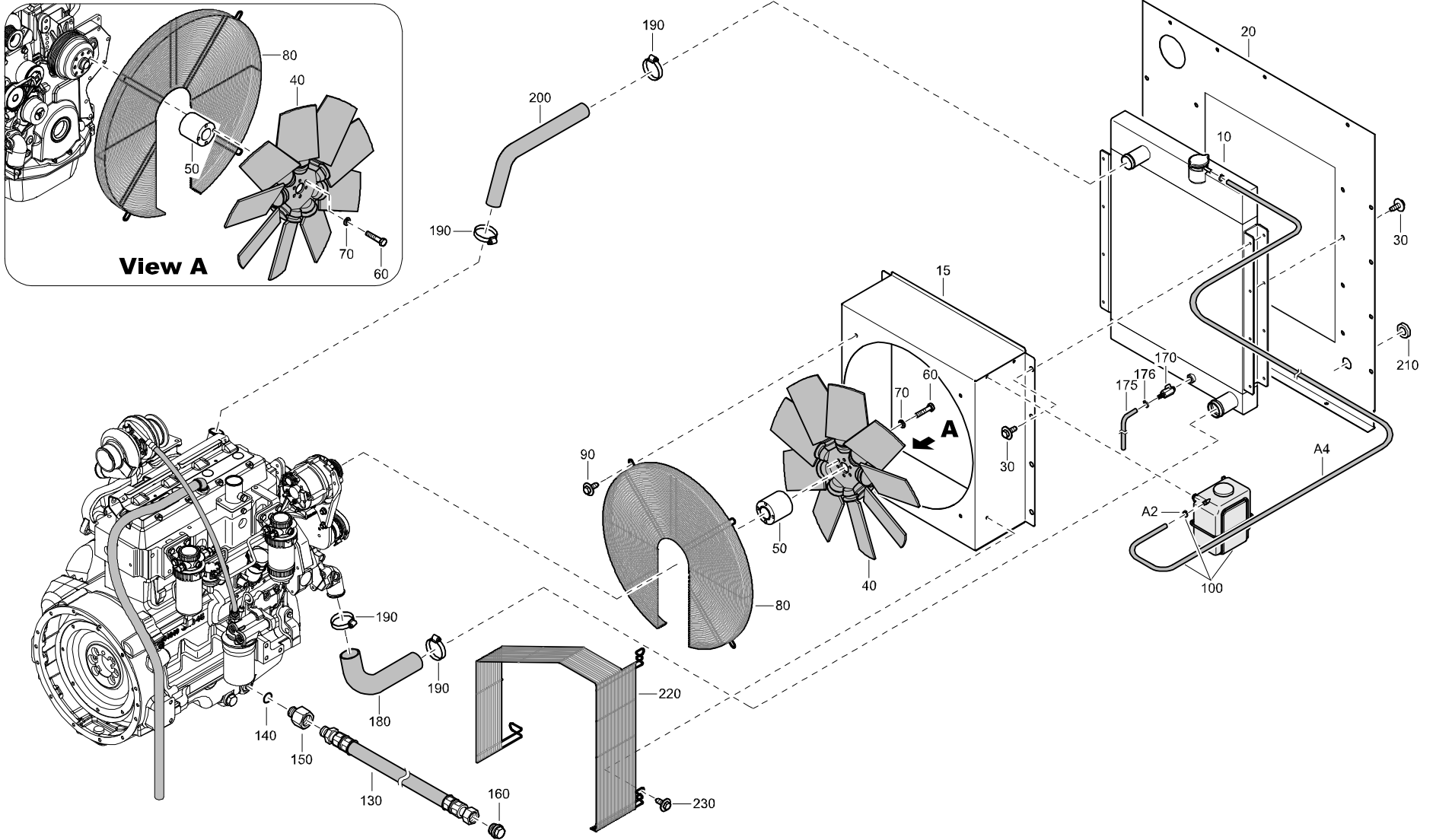


ENGINE - CPG 90-120 - STANDARD

| REF | PART NUMBER | DESIGNATION | QTY |
|------------|--------------------|--------------------|------------|
| 10 | 1310 0368 34 | ENGINE | 1 |



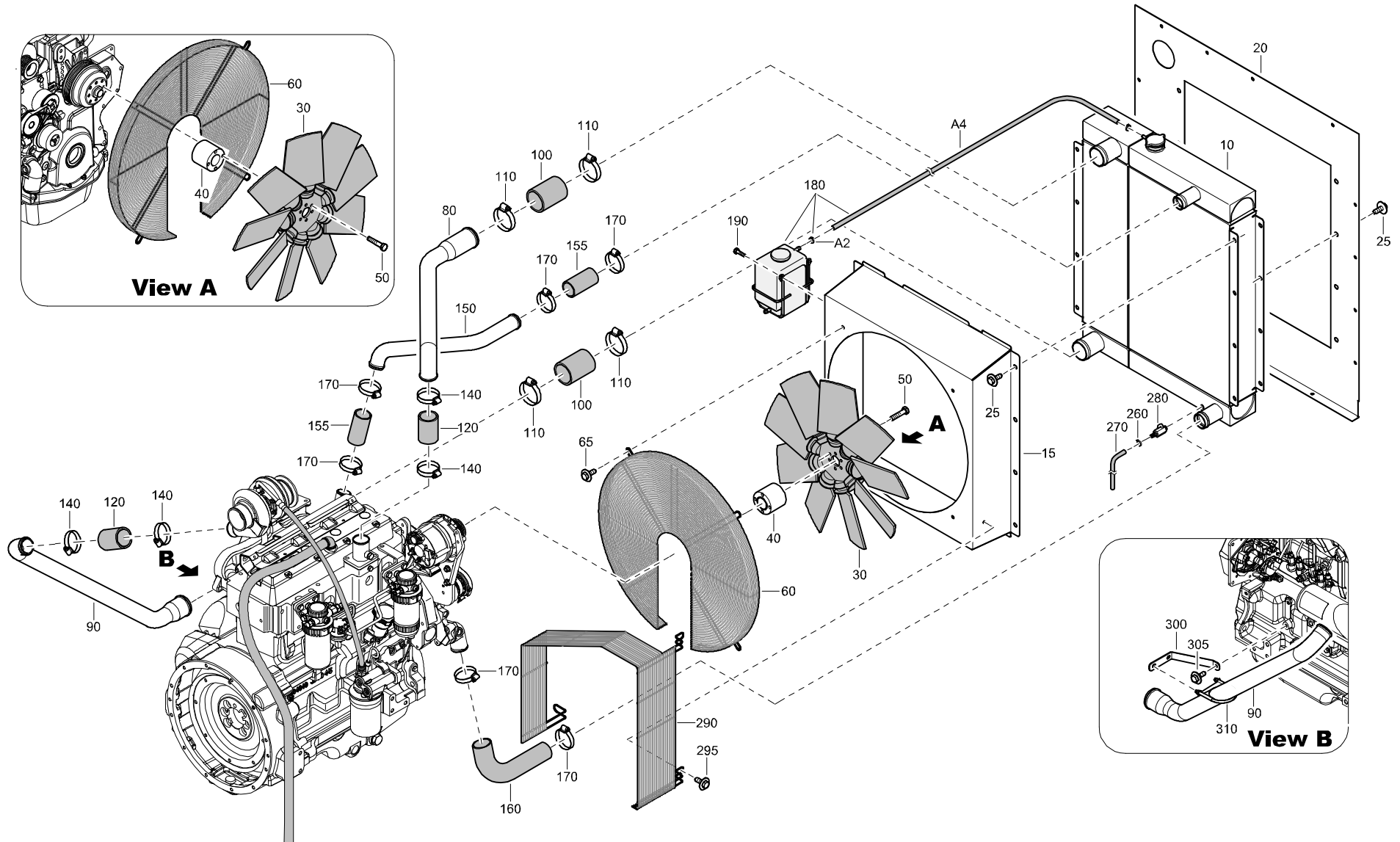
COOLING SYSTEM - CPG 70 - STANDARD



COOLING SYSTEM - CPG 70 - STANDARD

| REF | PART NUMBER | DESIGNATION | QTY | REF | PART NUMBER | DESIGNATION | QTY | REF | PART NUMBER | DESIGNATION | QTY |
|-----|--------------|---------------------|-----|-----|-------------|-------------|-----|-----|-------------|-------------|-----|
| 15 | 1310 6008 00 | FAN BOX | 1 | | | | | | | | |
| 20 | 1310 6007 00 | SUPPORT COOLER | 1 | | | | | | | | |
| 30 | 1615 5664 00 | SCRAPER BOLT | 16 | | | | | | | | |
| 40 | 1310 0363 65 | FAN ENGINE | 1 | | | | | | | | |
| 50 | 1310 0354 82 | SPACER ENGINE | 1 | | | | | | | | |
| 60 | 1310 0342 09 | HEX SOC HEAD SCREW | 1 | | | | | | | | |
| 70 | 0333 2225 00 | SPRING WASHER | 1 | | | | | | | | |
| 80 | 1310 0363 57 | FAN GUARD | 1 | | | | | | | | |
| 90 | 1615 5664 00 | SCRAPER BOLT | 4 | | | | | | | | |
| 100 | 1310 0343 72 | KIT COOLANT RECOVER | 1 | | | | | | | | |
| A2 | 1310 0323 84 | HOSE CLAMP | 1 | | | | | | | | |
| A4 | 1310 0315 92 | HOSE | 1 | | | | | | | | |
| 130 | 1310 6000 25 | HOSE ASSY | 1 | | | | | | | | |
| 140 | 0663 3122 00 | O-RING | 1 | | | | | | | | |
| 150 | 1310 0354 87 | ADAPTER | 1 | | | | | | | | |
| 160 | 1310 0355 25 | PIPE PLUG | 1 | | | | | | | | |
| 170 | 1615 7072 00 | VALVE | 2 | | | | | | | | |
| 175 | 1310 0355 56 | HOSE | AR | | | | | | | | |
| 176 | 1310 0323 84 | CLAMP | 1 | | | | | | | | |
| 180 | 1310 0349 31 | HOSE | 1 | | | | | | | | |
| 190 | 0347 6113 00 | CLAMP HOSE | 4 | | | | | | | | |
| 200 | 1310 0354 98 | HOSE UPPER RADIATOR | 1 | | | | | | | | |
| 210 | 1310 0355 74 | GROMMET | 1 | | | | | | | | |
| 220 | 1310 0359 95 | FAN GUARD PULLY | 1 | | | | | | | | |
| 230 | 1619 2766 00 | HEX HEAD SCREW | 2 | | | | | | | | |

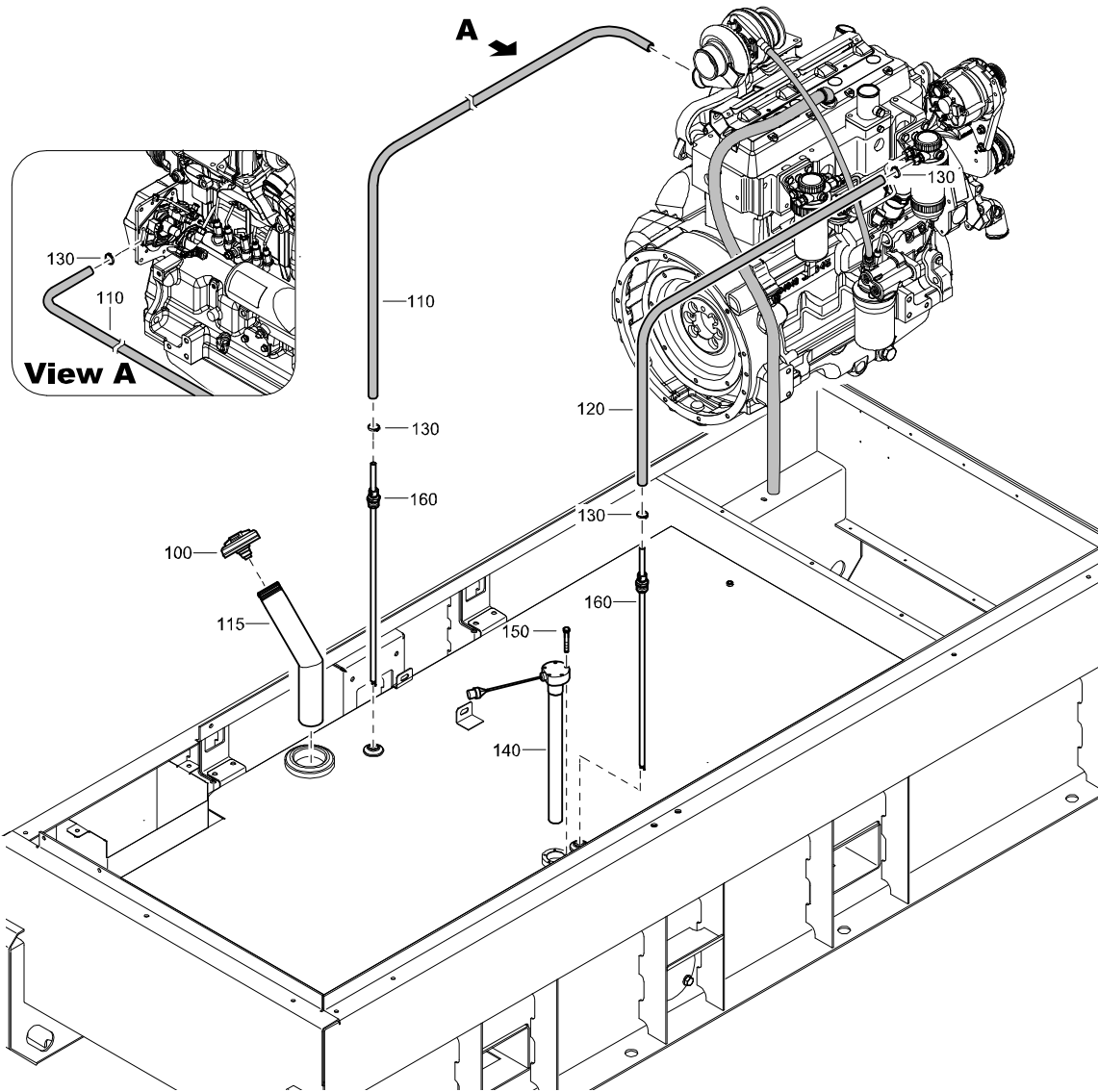
COOLING SYSTEM - CPG 90-120 - STANDARD



COOLING SYSTEM - CPG 90-120 - STANDARD

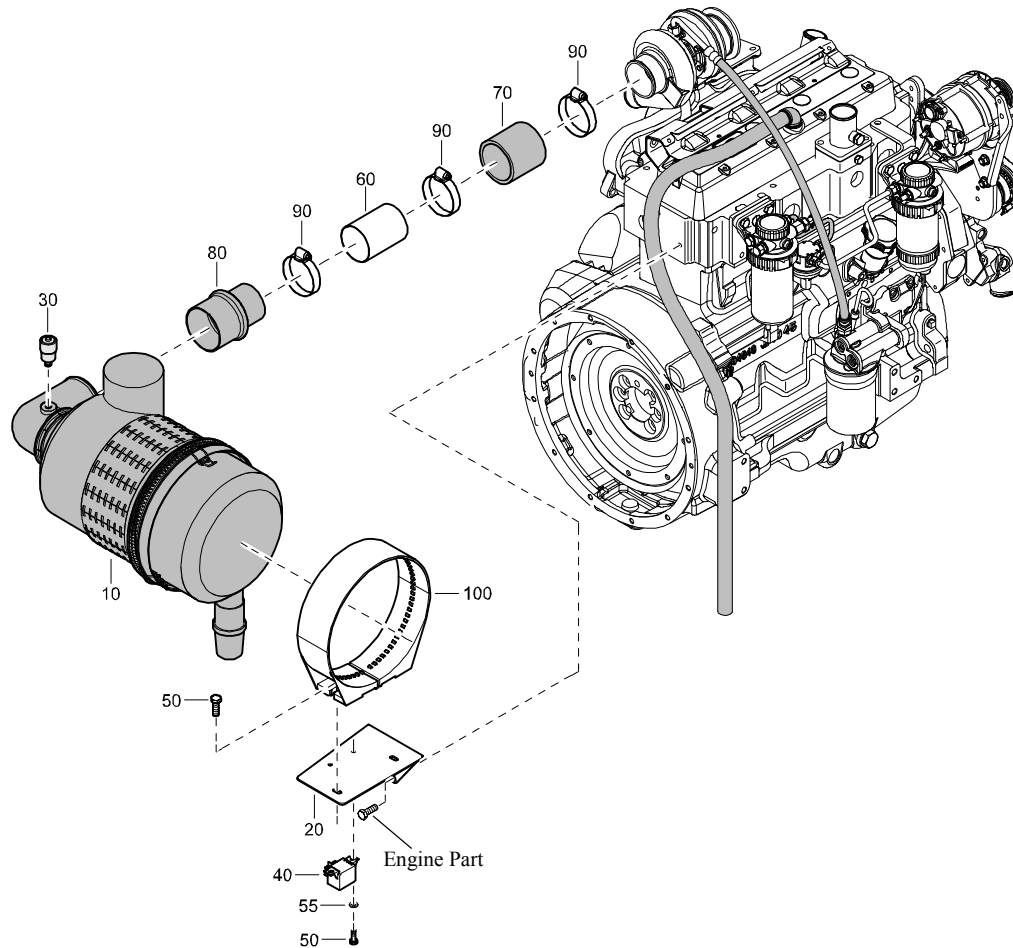
| REF | PART NUMBER | DESIGNATION | QTY | REF | PART NUMBER | DESIGNATION | QTY | REF | PART NUMBER | DESIGNATION | QTY |
|-----|--------------|----------------------------------|-----|-----|-------------|-------------|-----|-----|-------------|-------------|-----|
| 10 | 1310 4388 00 | RADIATOR | 1 | | | | | | | | |
| 15 | 1310 4395 00 | FAN BOX | 1 | | | | | | | | |
| 20 | 1310 4394 00 | SUPPORT COOLER | 1 | | | | | | | | |
| 25 | 1615 5664 00 | SCRAPER BOLT | 38 | | | | | | | | |
| 30 | 1310 0354 80 | FAN | 1 | | | | | | | | |
| 40 | 1310 4545 00 | FAN SPACER | 1 | | | | | | | | |
| 50 | 0147 1327 03 | HEX HD SCREW | 4 | | | | | | | | |
| 60 | 1310 0363 41 | FAN GUARD | 1 | | | | | | | | |
| 65 | 1619 2766 00 | HEX HD SCREW | 4 | | | | | | | | |
| 80 | 1310 4360 00 | UPPER PIPE CAC | 1 | | | | | | | | |
| 90 | 1310 4361 00 | LOWER PIPE CAC | 1 | | | | | | | | |
| 100 | 1310 0370 04 | CONNECTOR CAC | 2 | | | | | | | | |
| 110 | 1310 0370 05 | HOSE CLAMP | 4 | | | | | | | | |
| 120 | 1310 0370 07 | HOSE CAC | AR | | | | | | | | |
| 140 | 1310 0355 13 | HOSE CLAMP ENGINE INLET/TURBO | 4 | | | | | | | | |
| 150 | 1310 4007 00 | COOLANT PIPE UPPER | 1 | | | | | | | | |
| 155 | 1310 0301 03 | HOSE | 2 | | | | | | | | |
| 160 | 1310 0349 00 | LOWER HOSE RADIATOR | 1 | | | | | | | | |
| 170 | 0347 6113 00 | HOSE CLAMP | 6 | | | | | | | | |
| 180 | 1310 0343 72 | KIT COOLANT RECOVERY SYSTEM | 1 | | | | | | | | |
| A2 | 1310 0323 84 | HOSE CLAMP | 1 | | | | | | | | |
| A4 | 1310 0315 92 | HOSE | 1 | | | | | | | | |
| 190 | 0147 1247 03 | HEX HD SCREW | 2 | | | | | | | | |
| 260 | 1310 0323 84 | HOSE CLAMP | 1 | | | | | | | | |
| 270 | 1310 0355 56 | TUBE WALL | AR | | | | | | | | |
| 280 | 1615 7072 00 | VALVE | 1 | | | | | | | | |
| 290 | 1310 0359 95 | FAN GUARD PULLEY | 1 | | | | | | | | |
| 295 | 1619 2766 00 | HEX HD SCREW | 2 | | | | | | | | |
| 300 | 1310 4471 00 | SUPPORT CAC BRACKET | 1 | | | | | | | | |
| 305 | 1619 2766 00 | HEX HD SCREW | 3 | | | | | | | | |
| 310 | 1310 1477 00 | CLAMP | 1 | | | | | | | | |

FUEL SYSTEM - STANDARD



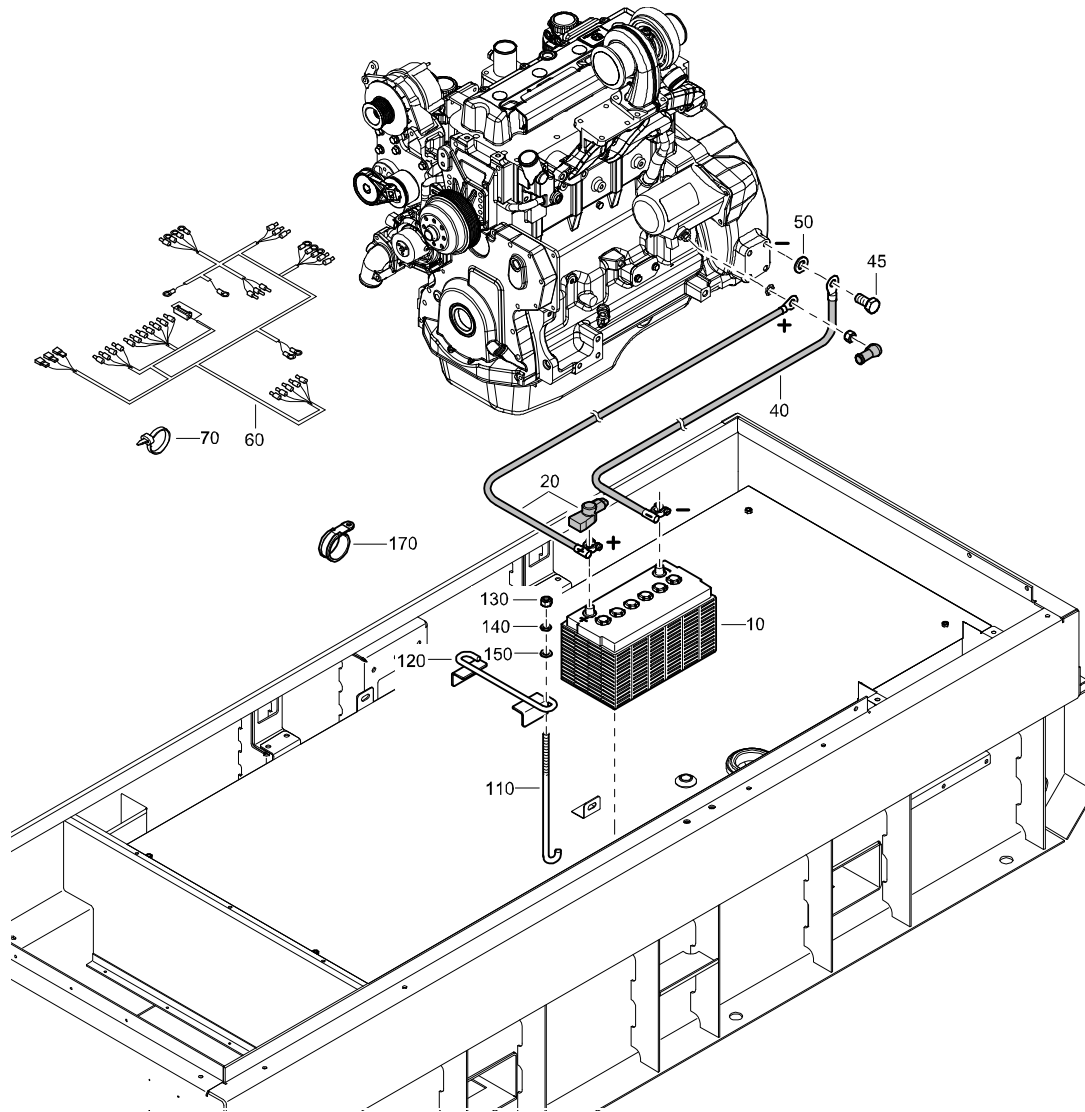
| REF | PART NUMBER | DESIGNATION | QTY |
|-----|--------------|------------------------|-----|
| 100 | 1615 6947 01 | FUELCAP | 1 |
| 110 | 1310 0363 64 | FUEL HOSE | AR |
| 115 | 1310 4476 00 | PIPE FUEL FILLER | 1 |
| 120 | 1310 0311 98 | FUEL HOSE | AR |
| 130 | 1310 0323 84 | HOSE CLAMP | 4 |
| 140 | 1310 4524 00 | FUEL LEVEL SENSOR | 1 |
| 150 | 0147 1212 03 | HEX HD SCREW | 5 |
| 160 | 1310 4526 00 | FUEL TUBE INLET/OUTLET | 2 |

AIR INLET - STANDARD



| REF | PART NUMBER | DESIGNATION | QTY |
|-----|--------------|--------------------|-----|
| 10 | 1310 0354 97 | AIR FILTER | 1 |
| 20 | 1310 0353 80 | AIR FILTER BRACKET | 1 |
| 30 | 1310 0355 53 | GAUGE | 1 |
| 40 | 1310 0304 71 | RELAY | 1 |
| 50 | 0147 1246 03 | HEX HD SCREW | 2 |
| 55 | 0301 2321 00 | FLAT WASHER | 2 |
| 60 | 1310 4398 00 | PIPE AIR INLET | 1 |
| 70 | 1310 0345 23 | HOSE AIR INLET | 1 |
| 80 | 1310 0325 60 | HUMP HOSE | 1 |
| 90 | 0347 6131 00 | HOSE CLAMP | 3 |
| 100 | 0347 6131 00 | HOSE CLAMP | 1 |

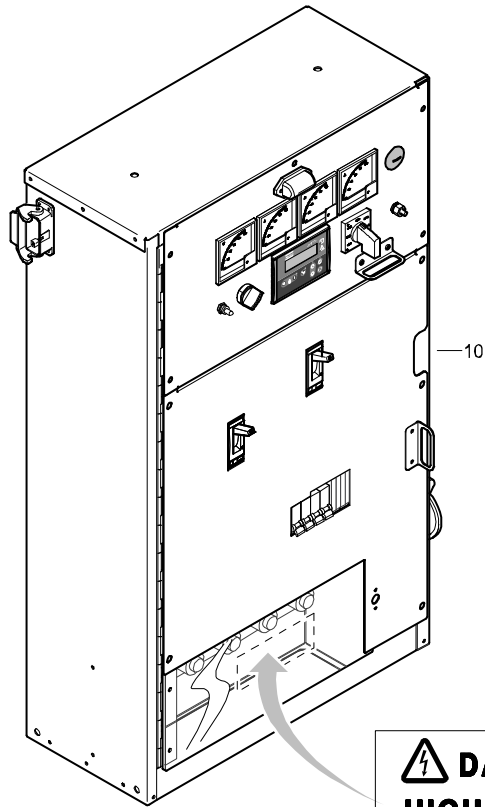
ELECTRICAL SYSTEM - STANDARD




| REF | PART NUMBER | DESIGNATION | QTY |
|-----|--------------|----------------|-----|
| 10 | 1310 0310 89 | BATTERY | 1 |
| 20 | 1310 0317 65 | BATTERY CABLE | 1 |
| 40 | 1310 0363 28 | BATTERY CABLE | 1 |
| 45 | 0147 1400 03 | HEX HD SCREW | 1 |
| 50 | 0301 2358 00 | FLAT WASHER | 1 |
| 60 | 1310 4448 00 | WIRING HARNESS | 1 |
| 70 | 1088 1301 02 | CABLE TY | 15 |
| 110 | 1310 0311 67 | BOLT | 2 |
| 120 | 1310 0311 66 | BATTERY CLAMP | 1 |
| 130 | 0268 3205 00 | HEX NUT | 2 |
| 140 | 0333 2225 00 | SPRING WASHER | 2 |
| 150 | 0301 2335 00 | FLAT WASHER | 2 |
| 170 | 1310 0325 89 | CABLE CLAMP | 2 |

CUBICLE ASSEMBLY - CPG 70 Jd - STANDARD

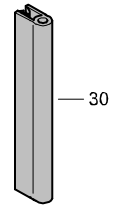
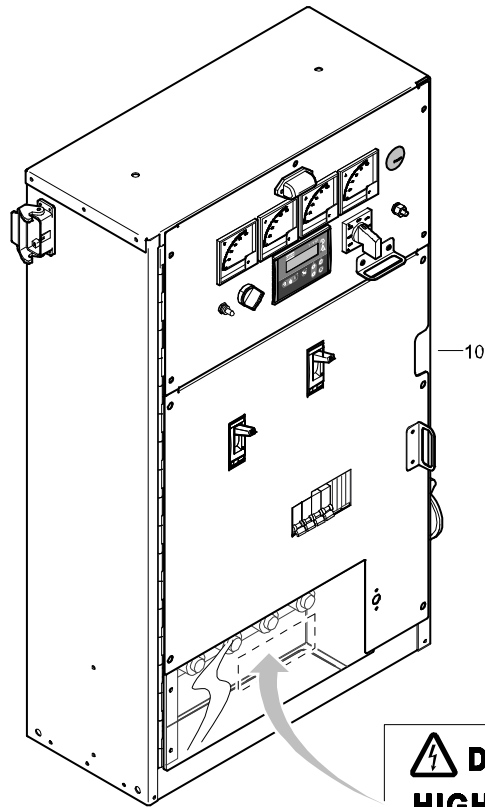
| REF | PART NUMBER | DESIGNATION | QTY |
|-----|--------------|-------------------------------------------|-----|
| 10 | 1310 4695 81 | CUBICLE ASSY (For details see page 48) | 1 |
| 30 | 1310 4702 00 | LABEL HIGH VOLTAGE | 1 |



| | | | | |
|------------------------------------------------------------------------------------------------------------------------------------------|--------------------------|----------------------------------|--------------------------------------------------------------|--------------------------|
|  DANGER HIGH VOLTAGE | SELECTOR SWITCH POSITION | BUS PANEL CONNECTION | CONNECTION VOLTAGE | MAX. AMPS |
| | 277/480V 3 phase | L1-N L2-N L3-N L1-L2-L3 | 277vac 1,0PF 277vac 1,0PF 277vac 1,0PF 480vac 0,8PF | 137 137 137 172 |
| CAUTION: Do not operate selector switch while generator is running. Do not connect to bus panel while generator is running. | 120/208V 3 phase | L1-N L2-N L3-N L1-L2-L3 | 120vac 1,0PF 120vac 1,0PF 120vac 1,0PF 208vac 0,8PF | 291 291 291 364 |
| | 139/240V 3 phase | L1-N L2-N L3-N L1-L2-L3 | 139vac 1,0PF 139vac 1,0PF 139vac 1,0PF 240vac 0,8PF | 275 275 275 344 |
| Do not use L-3 terminal in single phase mode. | 120/240V | L1-N L2-N L1-L2 | 120vac 1,0PF 120vac 1,0PF 240vac 1,0PF | 364 364 364 |

CUBICLE ASSEMBLY - CPG 90 Jd - STANDARD

| REF | PART NUMBER | DESIGNATION | QTY |
|-----|--------------|-----------------------------------------------------------|-----|
| 10 | 1310 4367 81 | CUBICLE ASSY (For details see page 50) | 1 |
| 30 | 1202 6584 00 | SEAL | AR |
| 40 | 1310 4641 00 | LABEL HIGH VOLTAGE | 1 |



⚠ DANGER HIGH VOLTAGE

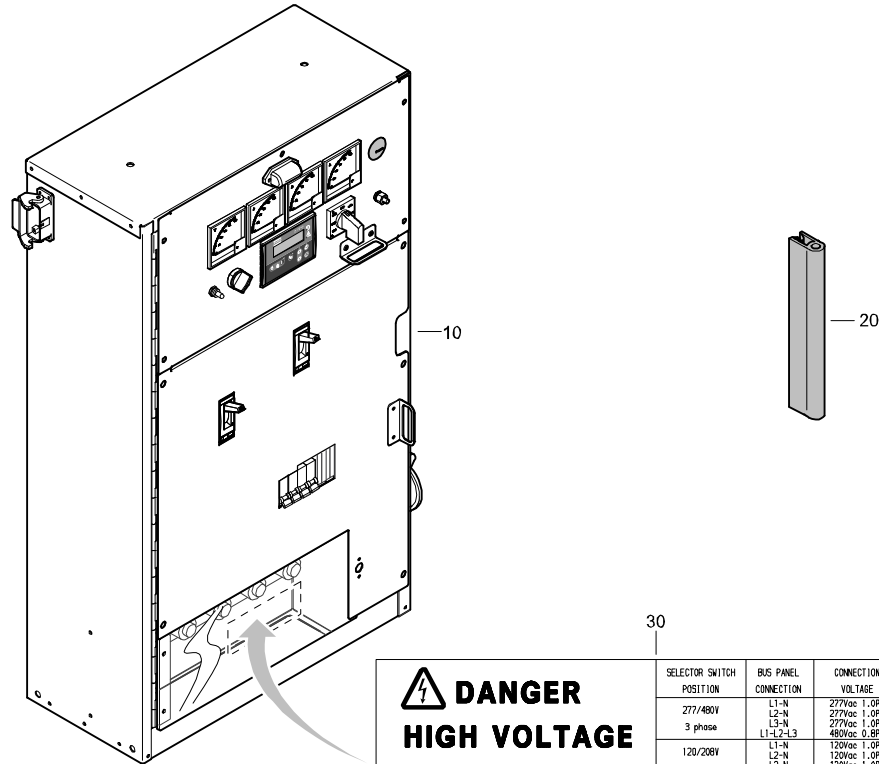
CAUTION:
Do not operate selector switch while generator is running.
Do not connect to bus panel while generator is running.

| SELECTOR SWITCH POSITION | BUS PANEL CONNECTION | CONNECTION VOLTAGE | MAX. AMPS |
|--------------------------|----------------------|--------------------|-----------|
| 277/480V 3 phase | L1-N | 277vac 1.0PF | 85 |
| | L2-N | 277vac 1.0PF | 85 |
| | L3-N | 277vac 1.0PF | 85 |
| 120/208V 3 phase | L1-L2-L3 | 480vac 0.8PF | 108 |
| | L1-N | 120vac 1.0PF | 200 |
| | L2-N | 120vac 1.0PF | 200 |
| 139/240V 3 phase | L3-N | 120vac 1.0PF | 200 |
| | L1-L2-L3 | 208vac 0.8PF | 250 |
| | L1-N | 139vac 1.0PF | 172 |
| 120/240V | L2-N | 139vac 1.0PF | 172 |
| | L3-N | 139vac 1.0PF | 172 |
| | L1-L2-L3 | 240vac 0.8PF | 216 |
| 120/240V 1Ph L1-L2 | L1-N | 120vac 1.0PF | 250 |
| | L2-N | 120vac 1.0PF | 250 |
| | L1-L2 | 240vac 1.0PF | 250 |

Do not use L-3 terminal in single phase mode.

CUBICLE ASSEMBLY - CPG 120 Jd - STANDARD

| REF | PART NUMBER | DESIGNATION | QTY |
|-----|--------------|------------------------------------------|-----|
| 10 | 1310 4368 81 | CUBICLE ASY (For details see page 52) | 1 |
| 20 | 1202 6584 00 | SEAL | AR |
| 30 | 1310 4638 00 | LABEL HIGH VOLTAGE | 1 |

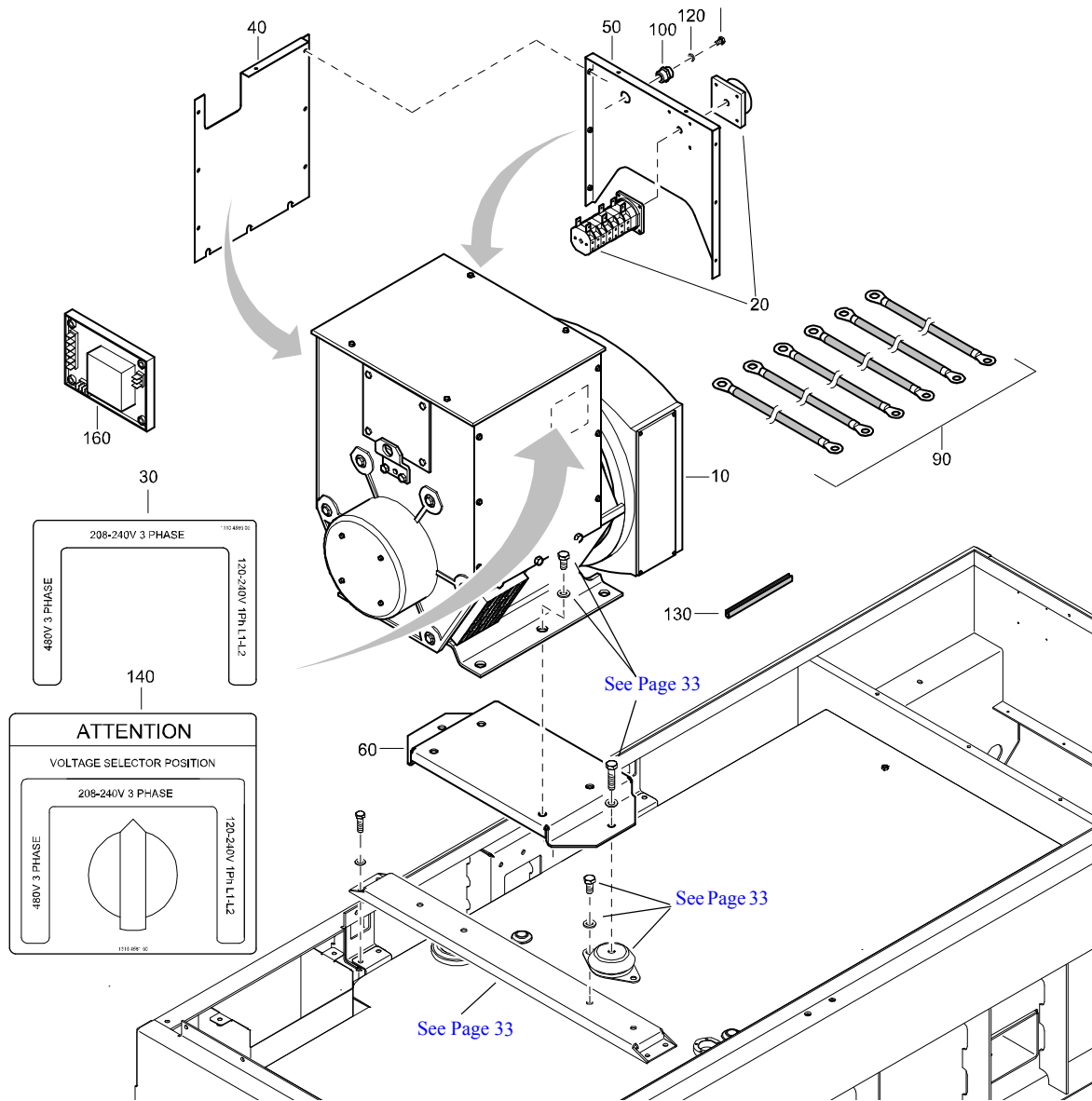


**⚡ DANGER
HIGH VOLTAGE**

CAUTION:
Do not operate selector switch while generator is running.
Do not connect to bus panel while generator is running.

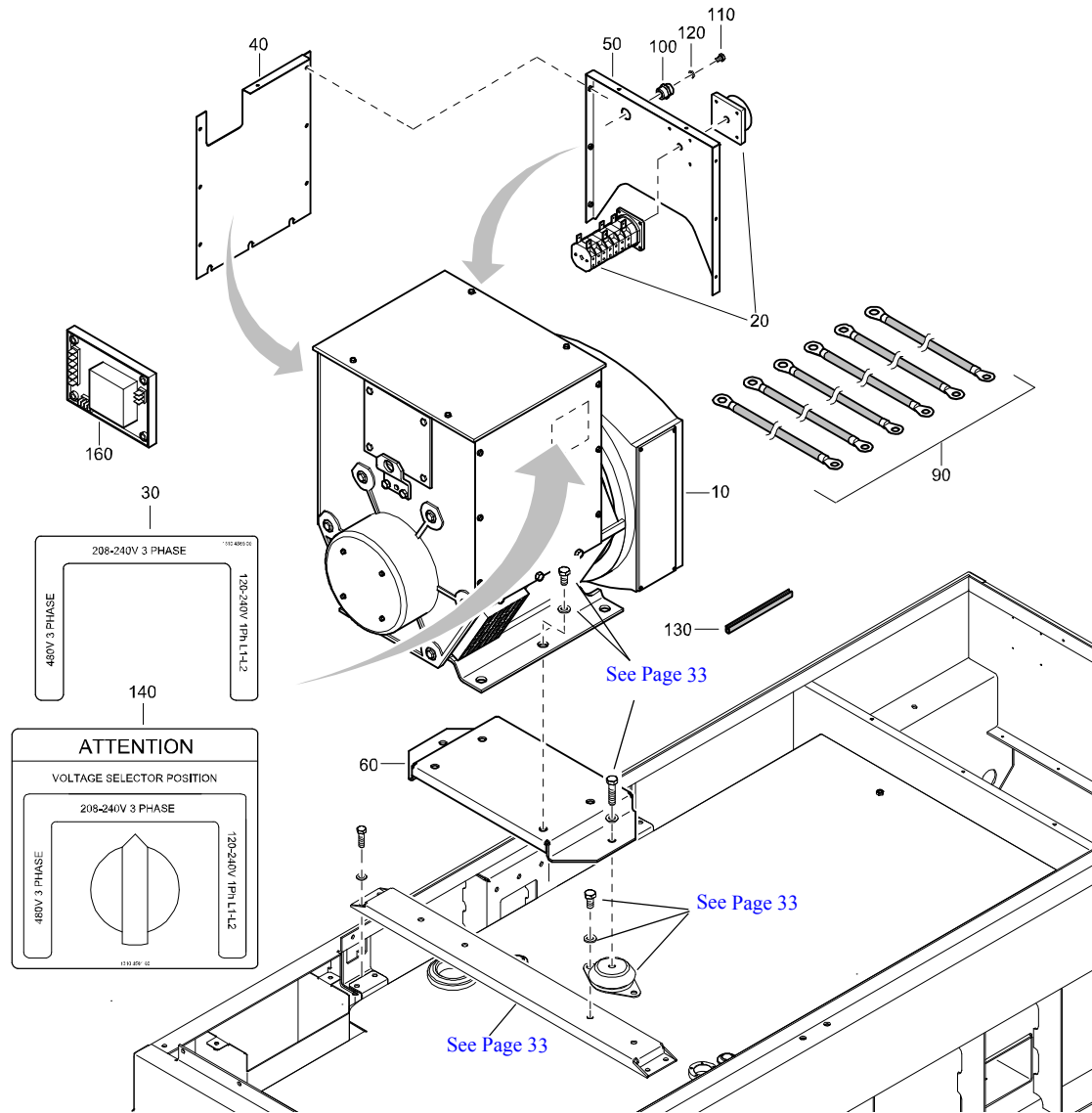
| SELECTOR SWITCH POSITION | BUS PANEL CONNECTION | CONNECTION VOLTAGE | MAX. AMPS |
|--------------------------|----------------------|--------------------|-----------|
| 277/480V 3 phase | L1-N | 277Vac 1.0PF | 137 |
| | L2-N | 277Vac 1.0PF | 137 |
| | L3-N | 277Vac 1.0PF | 137 |
| | L1-L2-L3 | 480Vac 0.8PF | 172 |
| 120/208V 3 phase | L1-N | 120Vac 1.0PF | 231 |
| | L2-N | 120Vac 1.0PF | 231 |
| | L3-N | 120Vac 1.0PF | 231 |
| | L1-L2-L3 | 208Vac 0.8PF | 304 |
| 139/240V 3 phase | L1-N | 139Vac 1.0PF | 275 |
| | L2-N | 139Vac 1.0PF | 275 |
| | L3-N | 139Vac 1.0PF | 275 |
| | L1-L2-L3 | 240Vac 0.8PF | 344 |
| 120/240V 1Ph L1-L2 | L1-N | 120Vac 1.0PF | 364 |
| | L2-N | 120Vac 1.0PF | 364 |
| | L1-L2 | 240Vac 1.0PF | 364 |

ALTERNATOR ASSEMBLY - CPG 70 Jd - STANDARD



| REF | PART NUMBER | DESIGNATION | QTY |
|-----|-------------------------|-----------------------------------|-----|
| 10 | 1310 4673 00 | ALTERNATOR | 1 |
| 20 | 1089 9378 25 | SELECTOR SWITCH | 1 |
| 30 | 1310 4560 00 | LABEL SELECTOR SWITCH VOLTAGES | 1 |
| 40 | 1310 4538 00 | PANEL ALTERNATOR | 1 |
| 50 | 1310 4534 00 | PLATE ALTERNATOR SWITCH | 1 |
| 60 | 1310 4529 00 | PLATE ALTERNATOR | 1 |
| 90 | 1310 4642 00 | WIRE SET | 1 |
| 100 | 1089 9385 02 | ISOLATOR | 3 |
| 110 | 0147 1320 03 | HEX HD SCREW | 6 |
| 120 | 0333 3227 00 | LOCKWASHER | 6 |
| 130 | 1503 1056 00 | SEAL | AR |
| 140 | 1310 4561 00 | LABEL SELECTOR SWITCH POSITION | 1 |
| 160 | 1089 9592 01 | ALTERNATOR VOLTAGE REGULATOR | 1 |

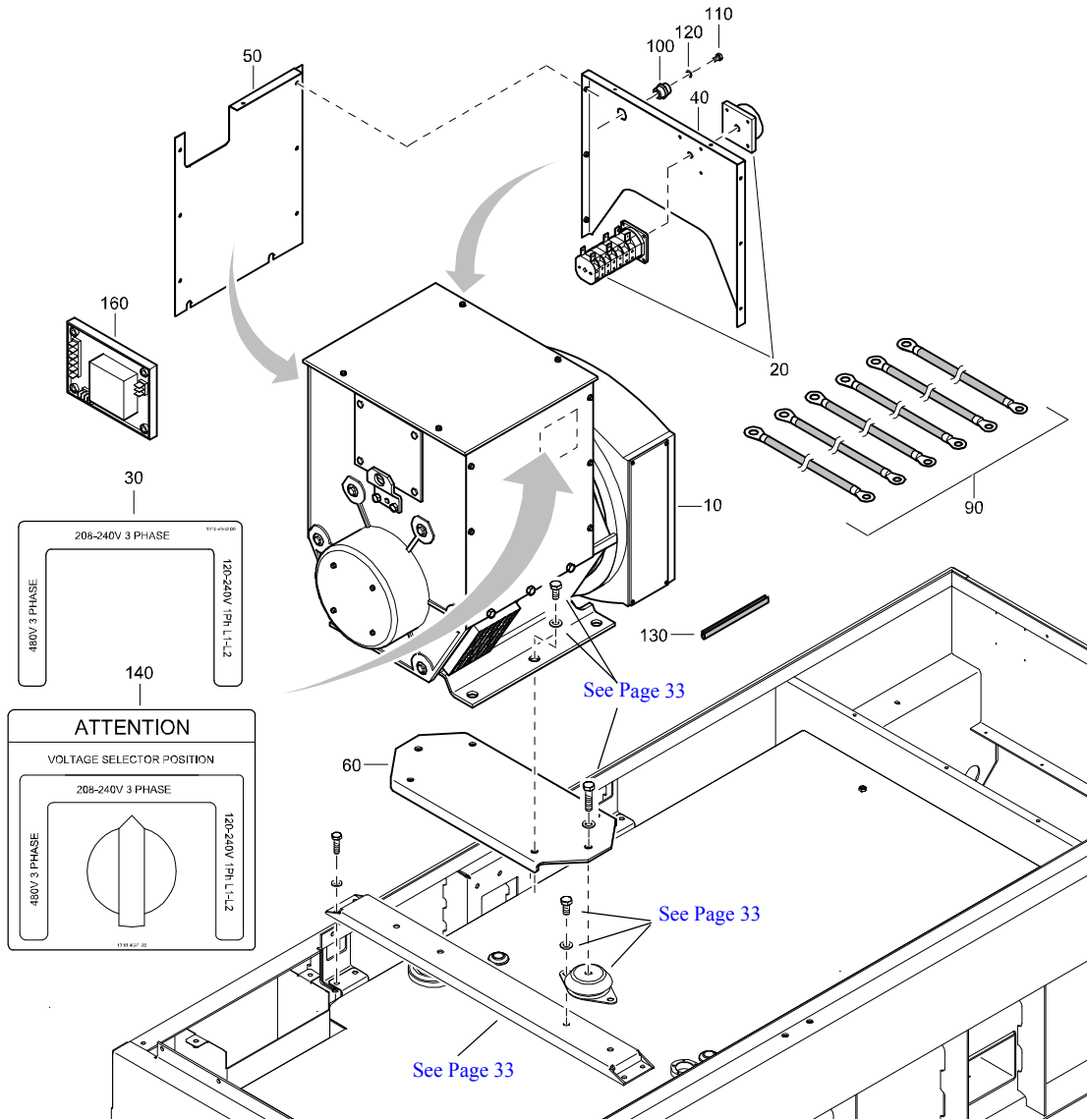
ALTERNATOR ASSEMBLY - CPG 90 JD - STANDARD



| REF | PART NUMBER | DESIGNATION | QTY |
|-----|--------------|-----------------------------------|-----|
| 10 | 1310 4568 00 | ALTERNATOR | 1 |
| 20 | 1089 9378 25 | SELECTOR SWITCH | 1 |
| 30 | 1310 4560 00 | LABEL SELECTOR SWITCH VOLTAGES | 1 |
| 40 | 1310 4538 00 | PANEL ALTERNATOR | 1 |
| 50 | 1310 4534 00 | PLATE ALTERNATOR SWITCH | 1 |
| 60 | 1310 4529 00 | PLATE ALTERNATOR | 1 |
| 90 | 1310 4642 00 | WIRE SET | 1 |
| 100 | 1089 9385 02 | ISOLATOR | 3 |
| 110 | 0147 1320 03 | HEX HD SCREW | 6 |
| 120 | 0333 3227 00 | LOCKWASHER | 6 |
| 130 | 1503 1056 00 | SEAL | AR |
| 140 | 1310 4561 00 | LABEL SELECTOR SWITCH POSITION | 1 |
| 160 | 1089 9592 01 | ALTERNATOR VOLTAGE REGULATOR | 1 |

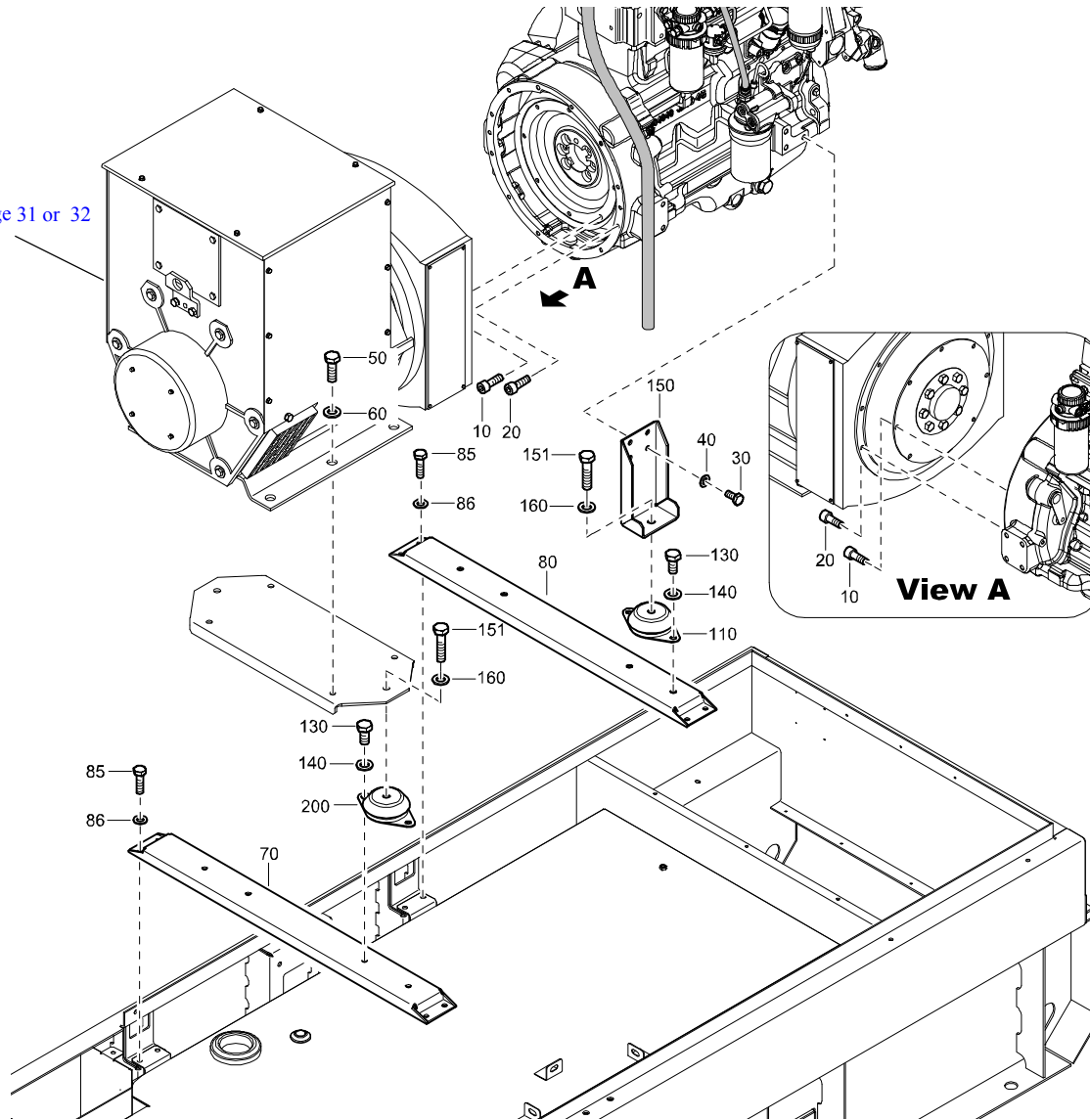
ALTERNATOR ASSEMBLY - CPG 120 Jd - STANDARD

| REF | PART NUMBER | DESIGNATION | QTY |
|-----|--------------|--------------------------------|-----|
| 10 | 1310 4570 00 | ALTERNATOR | 1 |
| 20 | 1089 9378 26 | SELECTOR SWITCH | 1 |
| 30 | 1310 4560 00 | LABEL SELECTOR SWITCH VOLTAGES | 1 |
| 40 | 1310 4535 00 | PLATE ALTERNATOR SWITCH | 1 |
| 50 | 1310 4536 00 | PANEL ALTERNATOR | 1 |
| 60 | 1310 4523 00 | PLATE ALTERNATOR MOUNT | 1 |
| 90 | 1310 4642 00 | WIRE SET | 1 |
| 100 | 1089 9385 02 | ISOLATOR | 3 |
| 110 | 0147 1320 03 | HEX HD SCREW | 6 |
| 120 | 0333 3227 00 | LOCKWASHER | 6 |
| 130 | 1503 1056 00 | SEAL | AR |
| 140 | 1310 4561 00 | LABEL SELECTOR SWITCH POSITION | 1 |
| 160 | 1089 9592 01 | ALTERNATOR VOLTAGE REGULATOR | 1 |



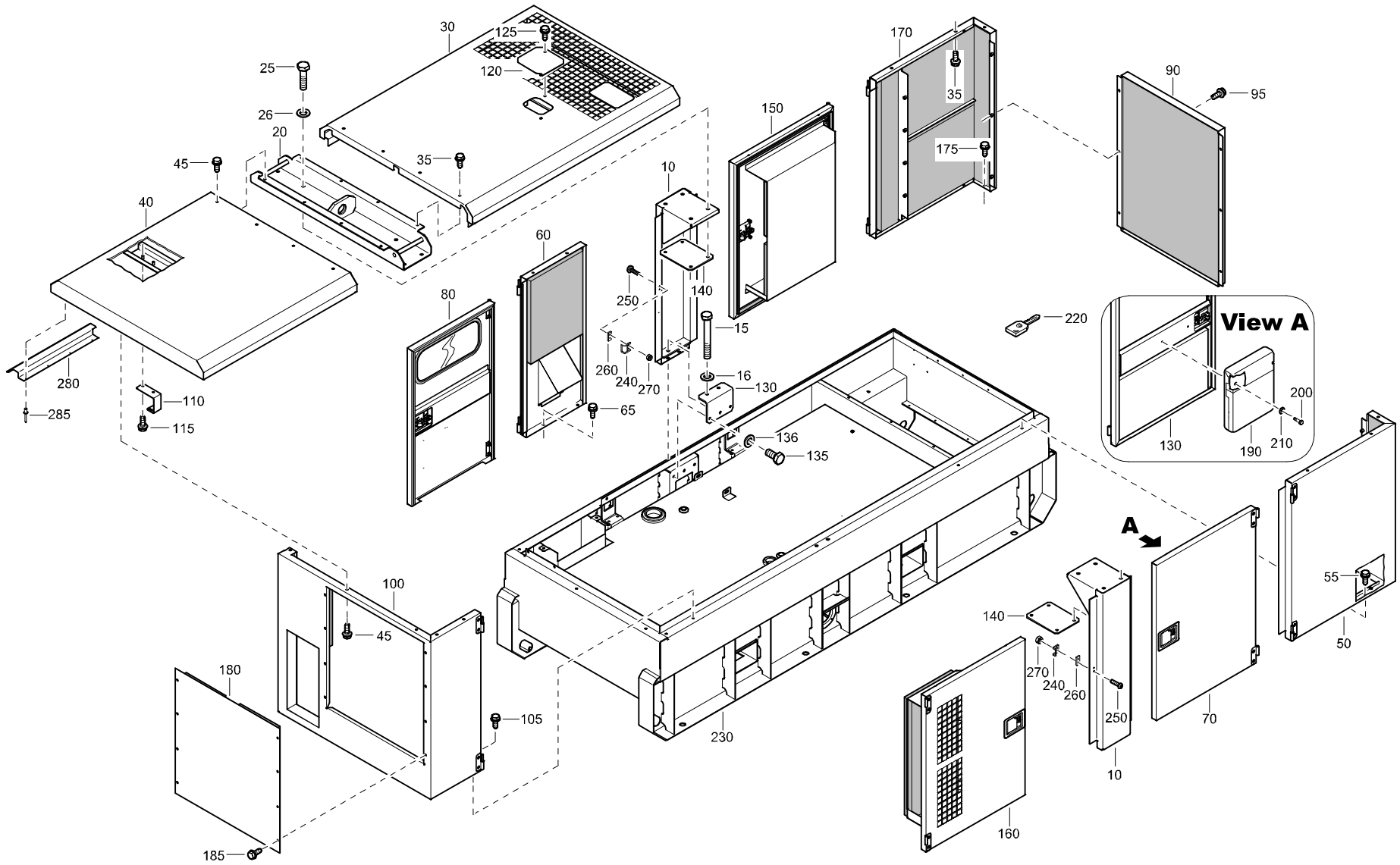
FRAME AND MOUNTS - STANDARD

See Page 31 or 32



| REF | PART NUMBER | DESIGNATION | QTY |
|-----|--------------|--------------------|-----|
| 10 | 0211 5287 00 | SOC HD CAP SCREW | 8 |
| 20 | 0211 1362 00 | SOC HD CAP SCREW | 12 |
| 30 | 0147 1400 03 | HEX HD SCREW | 6 |
| 40 | 0301 2358 00 | FLAT WASHER | 6 |
| 50 | 0147 1401 03 | HEX HD SCREW | 6 |
| 60 | 0301 2358 00 | FLAT WASHER | 6 |
| 70 | 1310 4421 00 | SUPPORT CROSS RAIL | 1 |
| 80 | 1310 4472 00 | SUPPORT CROSS RAIL | 1 |
| 85 | 0147 1363 03 | HEX HD SCREW | 8 |
| 86 | 0301 2344 00 | FLAT WASHER | 8 |
| 110 | 1619 6517 01 | RUBBER BUFFER | 2 |
| 130 | 0147 1400 03 | HEX HD SCREW | 8 |
| 140 | 0301 2358 00 | FLAT WASHER | 8 |
| 150 | 1310 4400 00 | MOUNT-ENGINE | 2 |
| 151 | 0147 1404 03 | HEX HD SCREW | 8 |
| 160 | 0301 2358 00 | FLAT WASHER | 4 |
| 200 | 1619 5044 00 | VIBRATION MOUNT | 2 |

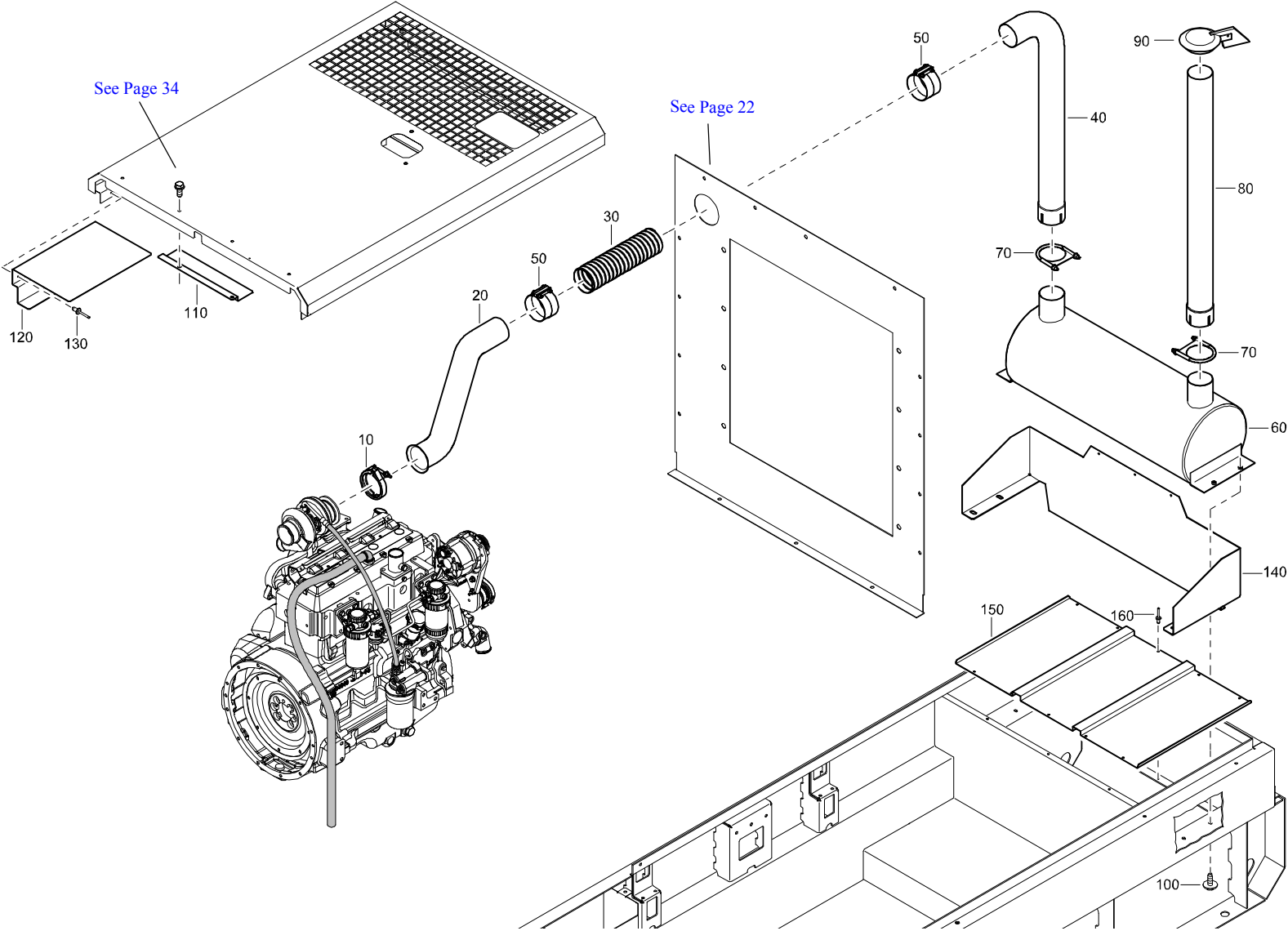
BODYWORK - STANDARD



BODYWORK - STANDARD

| REF | PART NUMBER | DESIGNATION | QTY | REF | PART NUMBER | DESIGNATION | QTY | REF | PART NUMBER | DESIGNATION | QTY |
|-----|--------------|---------------------------|-----|-----|--------------|---------------------------|-----|-----|-------------|-------------|-----|
| 10 | 1310 4408 22 | SIDE SUPPORT | 2 | 175 | 1619 2766 00 | HEX HEAD SCREW | 3 | | | | |
| 15 | 0147 1413 03 | HEX HEAD SCREW | 4 | 180 | 1310 4528 80 | PANEL ASSY REAR | 1 | | | | |
| 16 | 0301 2358 00 | FLAT WASHER | 4 | | | (For details see page 65) | | | | | |
| 20 | 1310 4409 22 | LIFTING-BEAM | 1 | 185 | 1619 2766 00 | HEX HEAD SCREW | 8 | | | | |
| 25 | 0147 1403 03 | HEX HEAD SCREW | 8 | 190 | 1310 0356 39 | DOCUMENT HOLDER | 1 | | | | |
| 26 | 0301 2358 00 | FLAT WASHER | 8 | 200 | 0144 3206 03 | SCREW | 2 | | | | |
| 30 | 1310 4370 80 | PANEL-ROOF ASY FRONT | 1 | 210 | 0301 2327 00 | FLAT WASHER | 2 | | | | |
| | | (For details see page 56) | | 220 | 1615 7271 00 | KEY | 2 | | | | |
| 35 | 1619 2766 00 | HEX HEAD SCREW | 10 | 230 | 1310 3124 86 | KIT FRAME SHEET METAL | 1 | | | | |
| 40 | 1310 4371 80 | PANEL-ROOF ASY FRONT | 1 | 240 | 1604 5031 00 | BRACKET | 5 | | | | |
| | | (For details see page 57) | | 250 | 0215 0003 89 | SCREW | 10 | | | | |
| 45 | 1619 2766 00 | HEX HEAD SCREW | 10 | 260 | 1310 4019 00 | SPACER | 5 | | | | |
| 50 | 1310 4380 80 | CORNER FRONT R | 1 | 270 | 0291 1108 00 | LOCKNUT | 10 | | | | |
| | | (For details see page 63) | | 280 | 1310 4373 00 | RAIN GUARD CUBICLE | 1 | | | | |
| 55 | 1619 2766 00 | HEX HEAD SCREW | 3 | 285 | 0129 3172 01 | BLIND RIVET | 4 | | | | |
| 60 | 1310 4374 80 | PANEL-SIDE ASY | 1 | | | | | | | | |
| | | (For details see page 58) | | | | | | | | | |
| 65 | 1619 2766 00 | HEX HEAD SCREW | 2 | | | | | | | | |
| 70 | 1310 4375 80 | DOOR-LARGE ASY L | 1 | | | | | | | | |
| | | (For details see page 59) | | | | | | | | | |
| 80 | 1310 4377 80 | DOOR-CUBICLE ASY | 1 | | | | | | | | |
| | | (For details see page 61) | | | | | | | | | |
| 90 | 1310 4378 80 | PANEL-FRONT ASY | 1 | | | | | | | | |
| | | (For details see page 60) | | | | | | | | | |
| 95 | 1619 2766 00 | HEX HEAD SCREW | 6 | | | | | | | | |
| 100 | 1310 4379 80 | PANEL-REAR ASY | 1 | | | | | | | | |
| | | (For details see page 62) | | | | | | | | | |
| 105 | 1619 2766 00 | HEX HEAD SCREW | 5 | | | | | | | | |
| 110 | 1310 4533 00 | BRACKET CUBICLE TO ROOF | 1 | | | | | | | | |
| 115 | 1619 2766 00 | HEX HEAD SCREW | 3 | | | | | | | | |
| 120 | 1310 4477 00 | COVER CANOPY | 1 | | | | | | | | |
| 125 | 1619 2766 00 | HEX HEAD SCREW | 2 | | | | | | | | |
| 130 | 1310 4478 00 | BRACKET LIFTING SUPPORT | 2 | | | | | | | | |
| 135 | 0147 1398 03 | HEX HEAD SCREW | 6 | | | | | | | | |
| 136 | 0301 2358 00 | FLAT WASHER | 6 | | | | | | | | |
| 140 | 1310 4480 00 | PLATE LIFTING BEAM | 2 | | | | | | | | |
| 150 | 1310 4412 80 | DOOR VENT FRONT | 1 | | | | | | | | |
| | | (For details see page 64) | | | | | | | | | |
| 160 | 1310 4506 80 | DOOR VENT REAR | 1 | | | | | | | | |
| | | (For details see page 66) | | | | | | | | | |
| 170 | 1310 4542 80 | CORNER FRONT L | 1 | | | | | | | | |
| | | (For details see page 68) | | | | | | | | | |

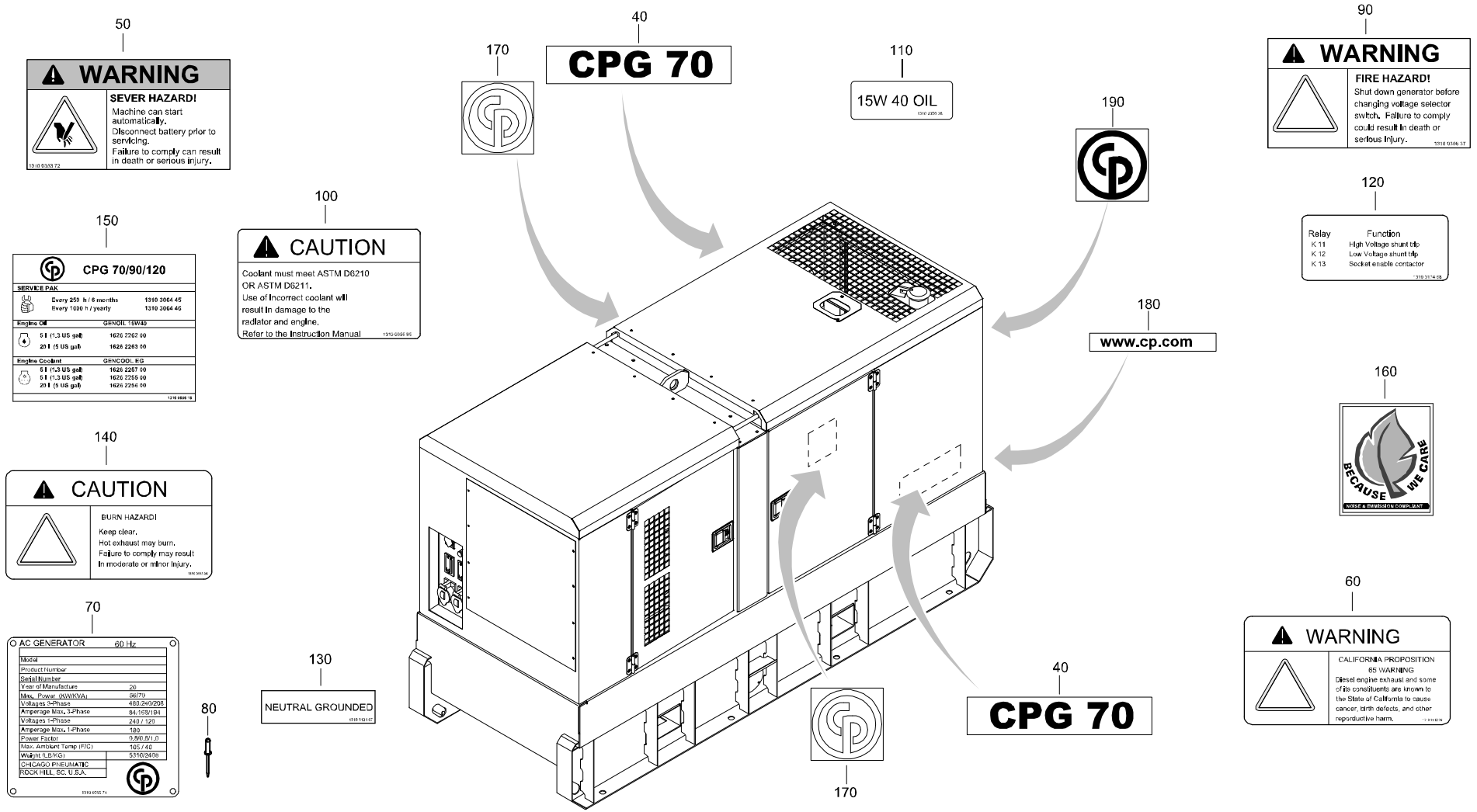
EXHAUST - STANDARD



EXHAUST - STANDARD

| REF | PART NUMBER | DESIGNATION | QTY | REF | PART NUMBER | DESIGNATION | QTY | REF | PART NUMBER | DESIGNATION | QTY |
|-----|--------------|----------------------|-----|-----|-------------|-------------|-----|-----|-------------|-------------|-----|
| 10 | 1310 0324 68 | EXHAUST CLAMP V-BAND | 1 | | | | | | | | |
| 20 | 1310 4386 00 | EXHAUST PIPE | 1 | | | | | | | | |
| 30 | 1310 4639 00 | HOSE FLEX METAL | 1 | | | | | | | | |
| 40 | 1310 4385 00 | EXHAUST PIPE | 1 | | | | | | | | |
| 50 | 1310 0356 46 | EXHAUST CLAMP | 2 | | | | | | | | |
| 60 | 1310 4359 00 | MUFFLER | 1 | | | | | | | | |
| 70 | 1310 0355 81 | SADDLE CLAMP | 2 | | | | | | | | |
| 80 | 1310 4387 00 | EXHAUST PIPE | 1 | | | | | | | | |
| 90 | 1310 0382 37 | RAIN CAP | 1 | | | | | | | | |
| 100 | 1615 5664 00 | SCRAPER BOLT | 4 | | | | | | | | |
| 110 | 1310 4635 00 | PLATE HEAT DEFLECTOR | 1 | | | | | | | | |
| 120 | 1310 4636 00 | SHIELD EXHAUST | 1 | | | | | | | | |
| 130 | 0129 3270 30 | BLIND RIVET | 4 | | | | | | | | |
| 140 | 1310 4473 00 | SHIELD HEAT EXHAUST | 1 | | | | | | | | |
| 150 | 1310 4481 00 | PANEL EXHAUST | 1 | | | | | | | | |
| 160 | 0129 3270 30 | BLIND RIVET | 10 | | | | | | | | |

MARKINGS - CPG 70 - STANDARD



50

WARNING

SEVERE HAZARD!
Machine can start automatically. Disconnect battery prior to servicing. Failure to comply can result in death or serious injury.

1310 0338 72

40

CPG 70

110

15W 40 OIL

90

WARNING

FIRE HAZARD!
Shut down generator before changing voltage selector switch. Failure to comply could result in death or serious injury.

1310 0366 17

150

CPG 70/80/120

| | | |
|------------------------|---------------|--|
| Service Pak | | |
| Every 250 h / 6 months | 1310 3064 45 | |
| Every 1000 h / yearly | 1310 3064 46 | |
| Engine Oil | GENCOIL 15W45 | |
| 5.1 (1.3 US gal) | 1626 2762 00 | |
| 20.1 (5 US gal) | 1626 2283 00 | |
| Engine Coolant | GENCOOL EG | |
| 5.1 (1.3 US gal) | 1626 2287 00 | |
| 5.1 (1.3 US gal) | 1626 2256 00 | |
| 20.1 (5 US gal) | 1626 2236 00 | |

1310 0446 14

100

CAUTION

Coolant must meet ASTM D6210 OR ASTM D6211. Use of incorrect coolant will result in damage to the radiator and engine. Refer to the Instruction Manual.

1310 0593 95

120

| Relay | Function |
|-------|-------------------------|
| K 11 | High Voltage shunt trip |
| K 12 | Low Voltage shunt trip |
| K 13 | Societ enable contactor |

1310 0743 08



180

www.cp.com



140

CAUTION

BURN HAZARD!
Keep clear. Hot exhaust may burn. Failure to comply may result in moderate or minor injury.

100 2001 14

70

| AC GENERATOR 60 Hz | |
|--------------------------|-------------|
| Model | |
| Product Number | |
| Serial Number | |
| Year of Manufacture | 20 |
| Max. Power (kW/kVA) | 38/79 |
| Amperage 3-Phase | 480/240/208 |
| Amperage Max. 3-Phase | 54/129/104 |
| Voltage 3-Phase | 240/120 |
| Amperage Max. 1-Phase | 180 |
| Power Factor | 0.8/0.8/1.0 |
| Max. Ambient Temp. (F/C) | 105/42 |
| Weight (LBS/KG) | 5750/2450 |
| CHICAGO PNEUMATIC | |
| ROCK HILL, SC, U.S.A. | |

1310 0702 74

130

NEUTRAL GROUNDED

1310 1011 02

60

WARNING

CALIFORNIA PROPOSITION 65 WARNING
Diesel engine exhaust and some of its constituents are known to the State of California to cause cancer, birth defects, and other reproductive harm.

1310 0214



MARKINGS - CPG 70 - STANDARD

| REF | PART NUMBER | DESIGNATION | QTY | REF | PART NUMBER | DESIGNATION | QTY | REF | PART NUMBER | DESIGNATION | QTY |
|-----|--------------|------------------------------------------|-----|-----|-------------|-------------|-----|-----|-------------|-------------|-----|
| 40 | 1310 6066 95 | MODEL DESIGNATION | 2 | | | | | | | | |
| 50 | 1310 0353 72 | LABEL WARNING | 2 | | | | | | | | |
| 60 | 1310 3112 36 | LABEL CALIFORNIA EMISSIONS | 1 | | | | | | | | |
| 70 | - | DATA PLATE (Not available separately) | 1 | | | | | | | | |
| 80 | 1310 0361 69 | BLIND RIVET | 4 | | | | | | | | |
| 90 | 1310 0356 37 | LABEL WARNING ALTERNATOR | 1 | | | | | | | | |
| 100 | 1310 0356 95 | LABEL | 1 | | | | | | | | |
| 110 | 1310 0356 38 | LABEL | 1 | | | | | | | | |
| 120 | 1310 3124 68 | LABEL | 1 | | | | | | | | |
| 130 | 1310 3124 67 | LABEL NEUTRAL GROUNDED | 1 | | | | | | | | |
| 140 | 1310 0313 24 | LABEL CAUTION HOT EXHAUST | 1 | | | | | | | | |
| 150 | 1310 6066 16 | SERVICE LABEL | 1 | | | | | | | | |
| 160 | 1604 7907 02 | LABEL | 1 | | | | | | | | |
| 170 | 1310 4527 01 | LABEL CP LOGO | 2 | | | | | | | | |
| 180 | 1310 0720 96 | LABELCP INTERNET ADDRESS | 1 | | | | | | | | |
| 190 | 1310 4527 00 | CP LOGO | 1 | | | | | | | | |

MARKINGS - CPG 90 - STANDARD

50

WARNING

SEVERE HAZARD!
Machine can start automatically.
Disconnect battery prior to servicing.
Failure to comply can result in death or serious injury.

1310 0303 27

150

CPG 70/90/120

| SERVICE PAK | | |
|------------------------|--------------|--|
| Every 250 h / 6 months | 1310 3004 45 | |
| Every 1000 h / yearly | 1310 3004 46 | |
| Engine Oil | | |
| GENCOIL 15W40 | | |
| 5 l (1.3 US gal) | 1626 2262 00 | |
| 20 l (5 US gal) | 1626 2263 00 | |
| Engine Coolant | | |
| GENCOOL EG | | |
| 5 l (1.3 US gal) | 1626 2257 00 | |
| 5 l (1.3 US gal) | 1626 2258 00 | |
| 20 l (5 US gal) | 1626 2256 00 | |

1310 0306 17

140

CAUTION

BURN HAZARD!
Keep clear.
Hot exhaust may burn.
Failure to comply may result in moderate or minor injury.

1310 0311 17

70

| AC GENERATOR | | 60 Hz |
|-------------------------|-------------|-------|
| Model | | |
| Product Number | | |
| Serial Number | | |
| Year of Manufacture | 20 | |
| Max. Power (kVA) | 7250 | |
| Voltages 3-Phase | 480/240/208 | |
| Amperage Max. 3-Phase | 1062/1875/0 | |
| Voltages 1-Phase | 240/110 | |
| Amperage Max. 1-Phase | 250 | |
| Power Factor | 0.8/0.8/1.0 | |
| Max. Ambient Temp. (°C) | 105/140 | |
| Weight (LBS/KG) | 5110/2400 | |
| CHICAGO PNEUMATIC | | |
| ROCK HILL, SC, U.S.A. | | |

1310 0307 17

100

CAUTION

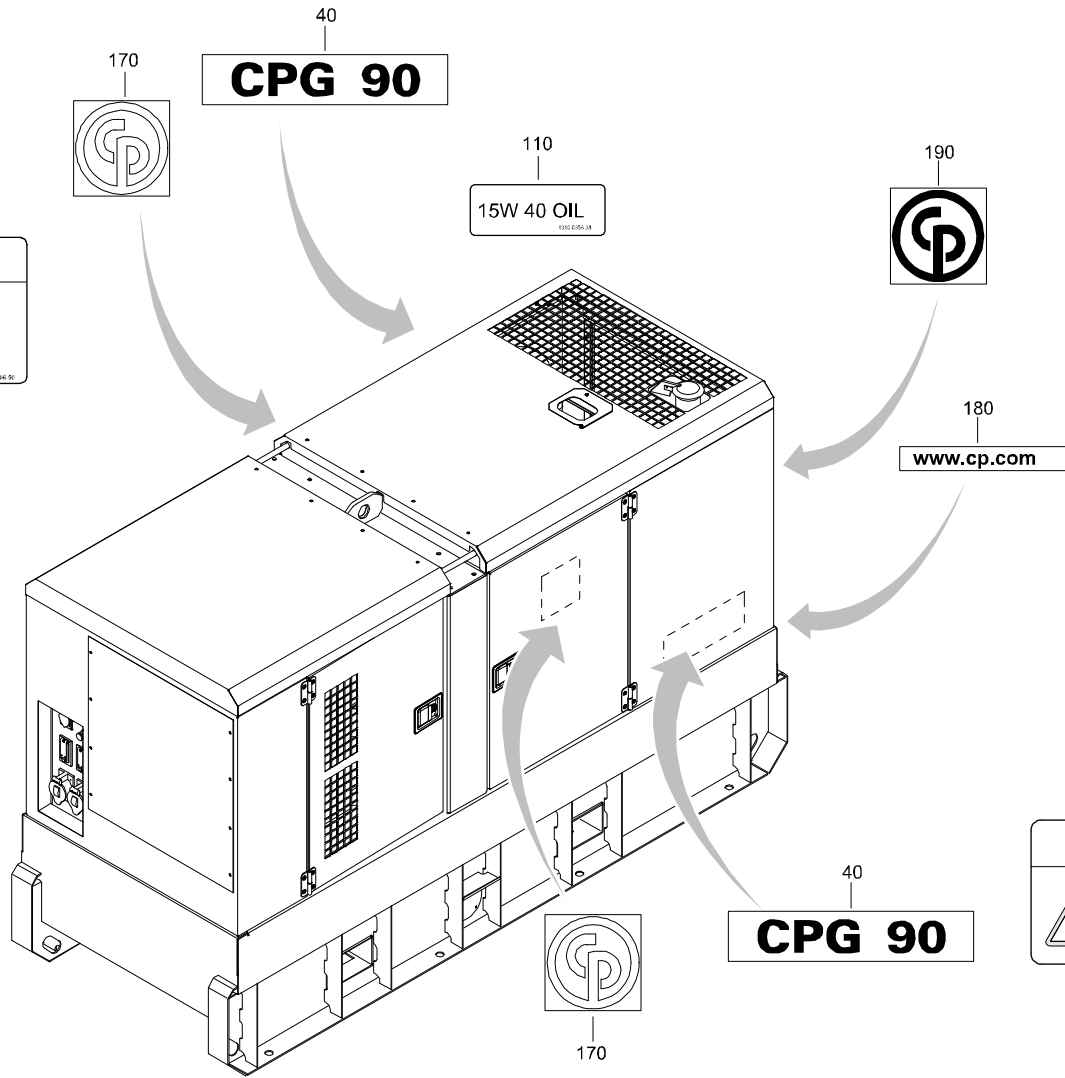
Coolant must meet ASTM D6210 OR ASTM D6211.
Use of incorrect coolant will result in damage to the radiator and engine.
Refer to the Instruction Manual

1310 0306 30

130

NEUTRAL GROUNDED

1310 0310 17



90

WARNING

FIRE HAZARD!
Shut down generator before changing voltage selector switch. Failure to comply could result in death or serious injury.

1310 0305 27

120

| Relay | Function |
|-------|-------------------------|
| K 11 | High Voltage shunt trip |
| K 12 | Low Voltage shunt trip |
| K 13 | Socket enable contactor |

1310 0312 01



60

WARNING

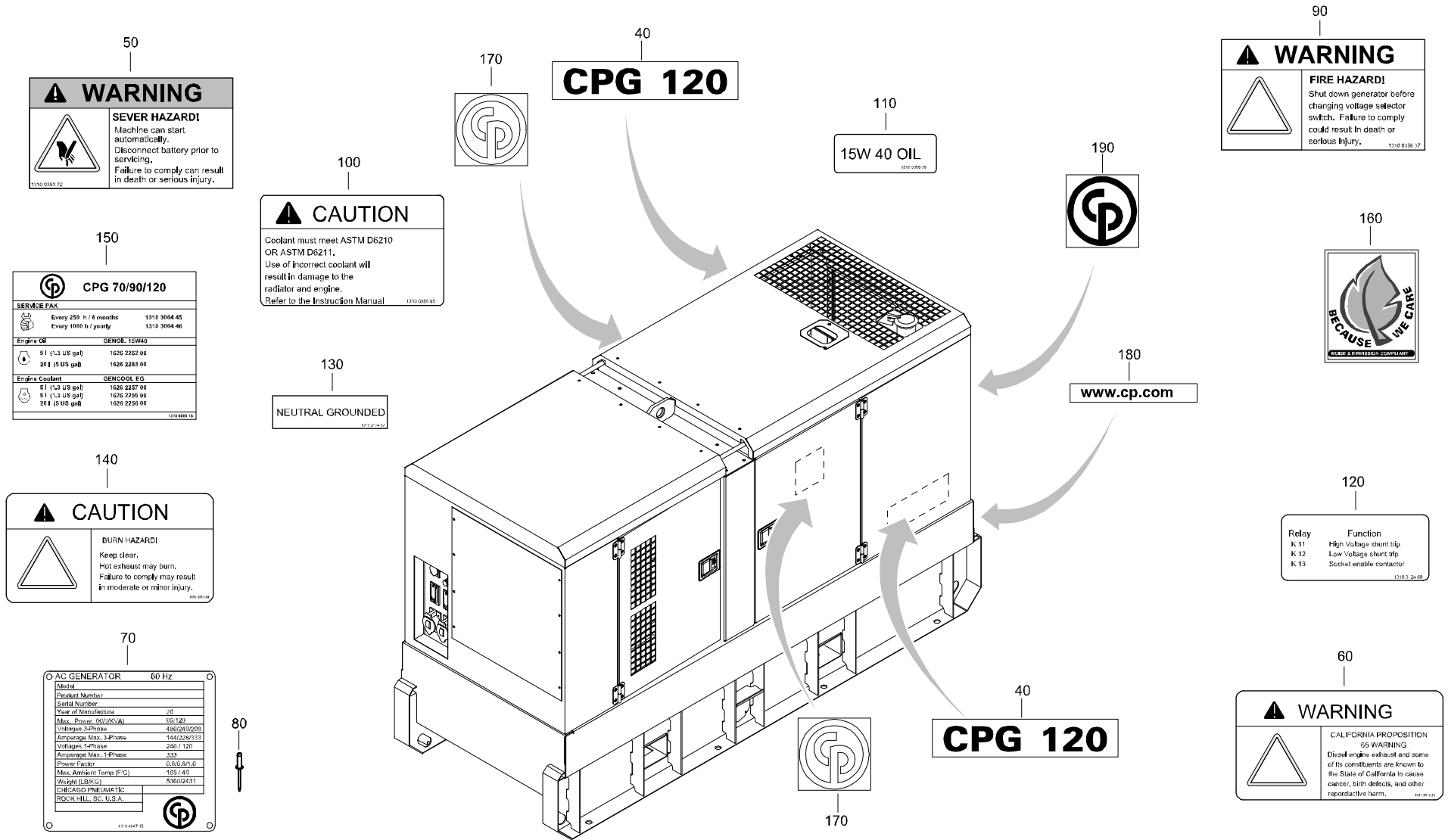
CALIFORNIA PROPOSITION 65 WARNING
Diesel engine exhaust and some of its constituents are known to the State of California to cause cancer, birth defects, and other reproductive harm.

1310 0308 17

MARKINGS - CPG 90 - STANDARD

| REF | PART NUMBER | DESIGNATION | QTY | REF | PART NUMBER | DESIGNATION | QTY | REF | PART NUMBER | DESIGNATION | QTY |
|-----|--------------|------------------------------------------|-----|-----|-------------|-------------|-----|-----|-------------|-------------|-----|
| 40 | 1310 4172 00 | MODEL DESIGNATION CPG 90 | 2 | | | | | | | | |
| 50 | 1310 0353 72 | LABEL WARNING | 2 | | | | | | | | |
| 60 | 1310 3112 36 | LABEL CALIFORNIA EMISSIONS | 1 | | | | | | | | |
| 70 | - | DATA PLATE (Not available separately) | 1 | | | | | | | | |
| 80 | 1310 0361 69 | BLIND RIVET | 4 | | | | | | | | |
| 90 | 1310 0356 37 | LABEL WARNING ALTERNATOR | 1 | | | | | | | | |
| 100 | 1310 0356 95 | LABEL COOLANT | 1 | | | | | | | | |
| 110 | 1310 0356 38 | LABEL OIL | 1 | | | | | | | | |
| 120 | 1310 3124 68 | LABEL | 1 | | | | | | | | |
| 130 | 1310 3124 67 | LABEL NEUTRAL GROUNDED | 1 | | | | | | | | |
| 140 | 1310 0313 24 | LABEL CAUTION HOT EXHAUST | 1 | | | | | | | | |
| 150 | 1310 6066 16 | SERVICE LABEL | 1 | | | | | | | | |
| 160 | 1604 7907 02 | LABEL | 1 | | | | | | | | |
| 170 | 1310 4527 01 | LABEL CP LOGO | 2 | | | | | | | | |
| 180 | 1310 0720 96 | LABELCP INTERNET ADDRESS | 1 | | | | | | | | |
| 190 | 1310 4527 00 | CP LOGO | 1 | | | | | | | | |

MARKINGS - CPG 120 - STANDARD



50

WARNING

SEVERE HAZARD!
Machine can start automatically. Disconnect battery prior to servicing. Failure to comply can result in death or serious injury.

1310 0353 32

40

CPG 120

90

WARNING

FIRE HAZARD!
Shut down generator before changing voltage selector switch. Failure to comply could result in death or serious injury.

1310 0336 37

100

CAUTION

Coolant must meet ASTM D6210 OR ASTM D6211. Use of incorrect coolant will result in damage to the radiator and engine. Refer to the Instruction Manual.

1310 0369 35

110

15W 40 OIL

1310 0359 35

150

CPG 70/90/120

| SERVICE PACK | | |
|------------------------|--------------|--|
| Every 250 h / 6 months | 1310 3004 45 | |
| Every 1000 h / yearly | 1310 3004 46 | |
| Engine Oil | | |
| 5 l (1.3 US gal) | 1626 2262 00 | |
| 20 l (5 US gal) | 1626 2263 00 | |
| Engine Coolant | | |
| 5 l (1.3 US gal) | 1626 2267 00 | |
| 5 l (1.3 US gal) | 1626 2256 00 | |
| 20 l (5 US gal) | 1626 2256 00 | |

1310 0416 16

130

NEUTRAL GROUNDED

1310 0371 32

140

CAUTION

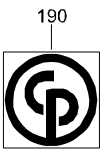
BURN HAZARD!
Keep clear. Hot exhaust may burn. Failure to comply may result in moderate or minor injury.

103 9911 04

70

| AC GENERATOR 60 Hz | |
|------------------------|-------------|
| Model | |
| Product Number | |
| Serial Number | |
| Date of Manufacture | 08 |
| Max. Power (kW/HP(A)) | 15/120 |
| Voltages 3-Phase | 480/240/208 |
| Amperage Max. 3-Phase | 144/228/333 |
| Voltages 1-Phase | 240/120 |
| Amperage Max. 1-Phase | 333 |
| Power Factor | 0.8/0.8/0.8 |
| Max. Ambient Temp (°C) | 105/40 |
| Weight (LBS/KG) | 630/283.1 |
| CHICAGO PNEUMATIC | |
| ROCK HILL, SC, U.S.A. | |

1310 0427 16



180

www.cp.com



120

| Relay | Function |
|-------|-------------------------|
| K 11 | High Voltage shunt trip |
| K 12 | Low Voltage shunt trip |
| K 13 | Socket enable contactor |

1310 03 24 08

60

WARNING

CALIFORNIA PROPOSITION 65 WARNING
Diesel engine exhaust and some of its constituents are known to the State of California to cause cancer, birth defects, and other reproductive harm.

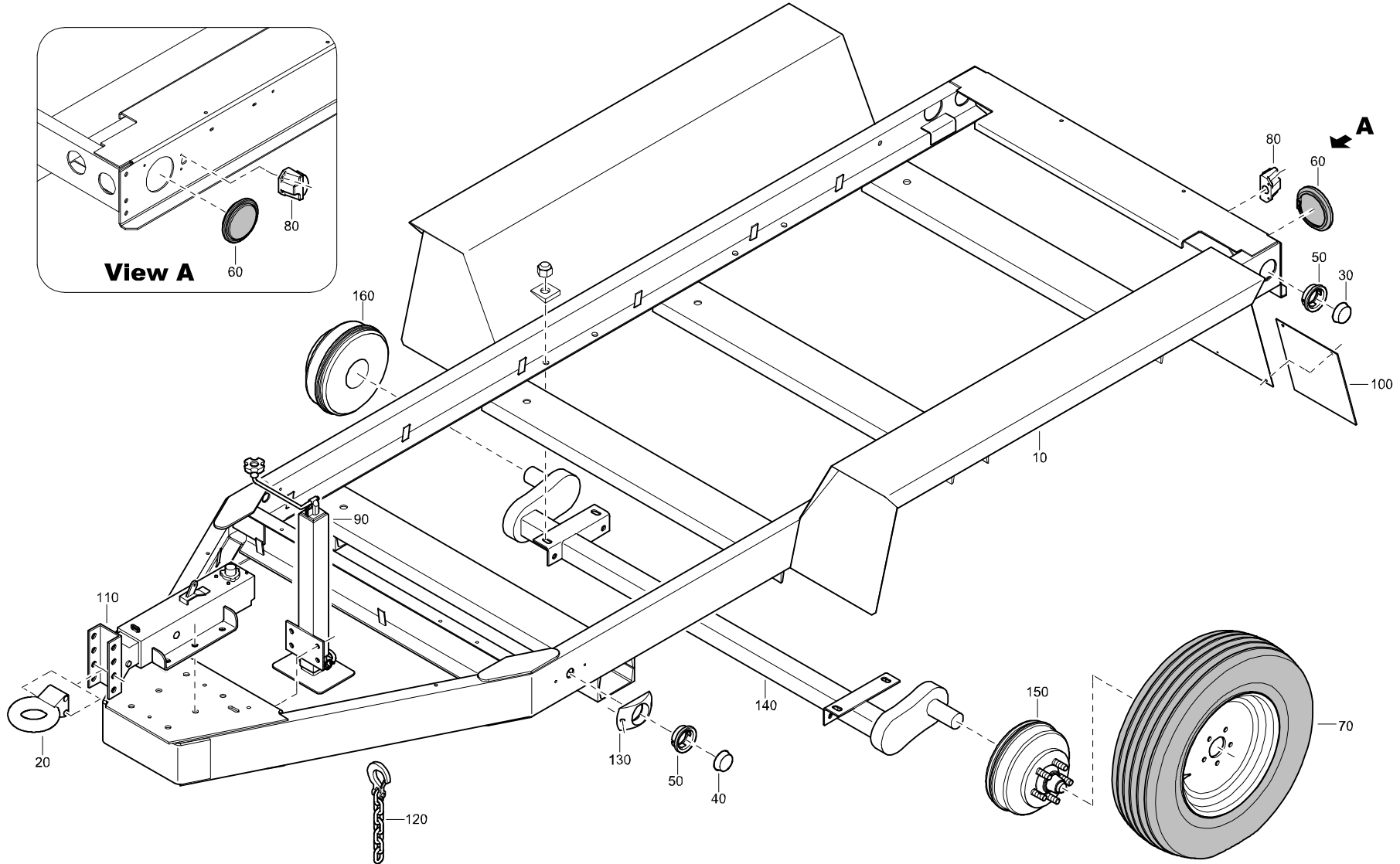
103 99 33 10



MARKINGS - CPG 120 - STANDARD

| REF | PART NUMBER | DESIGNATION | QTY | REF | PART NUMBER | DESIGNATION | QTY | REF | PART NUMBER | DESIGNATION | QTY |
|-----|--------------|----------------------------|-----|-----|-------------|-------------|-----|-----|-------------|-------------|-----|
| 40 | 1310 4172 10 | MODEL DESIGNATION CPG 120 | 2 | | | | | | | | |
| 50 | 1310 0353 72 | LABEL WARNING | 2 | | | | | | | | |
| 60 | 1310 3112 36 | LABEL CALIFORNIA EMISSIONS | 1 | | | | | | | | |
| 70 | - | DATA PLATE | 1 | | | | | | | | |
| | | (Not available separately) | | | | | | | | | |
| 80 | 1310 0361 69 | BLIND RIVET | 4 | | | | | | | | |
| 90 | 1310 0356 37 | LABEL WARNING ALTERNATOR | 1 | | | | | | | | |
| 100 | 1310 0356 95 | LABEL COOLANT | 1 | | | | | | | | |
| 110 | 1310 0356 38 | LABEL OIL | 1 | | | | | | | | |
| 120 | 1310 3124 68 | LABEL | 1 | | | | | | | | |
| 130 | 1310 3124 67 | LABEL NEUTRAL GROUNDED | 1 | | | | | | | | |
| 140 | 1310 0313 24 | LABEL CAUTION HOT EXHAUST | 1 | | | | | | | | |
| 150 | 1310 6066 16 | SERVICE LABEL | 1 | | | | | | | | |
| 160 | 1604 7907 02 | LABEL | 1 | | | | | | | | |
| 170 | 1310 4527 01 | LABEL CP LOGO | 2 | | | | | | | | |
| 180 | 1310 0720 96 | LABELCP INTERNET ADDRESS | 1 | | | | | | | | |
| 190 | 1310 4527 00 | CP LOGO | 1 | | | | | | | | |

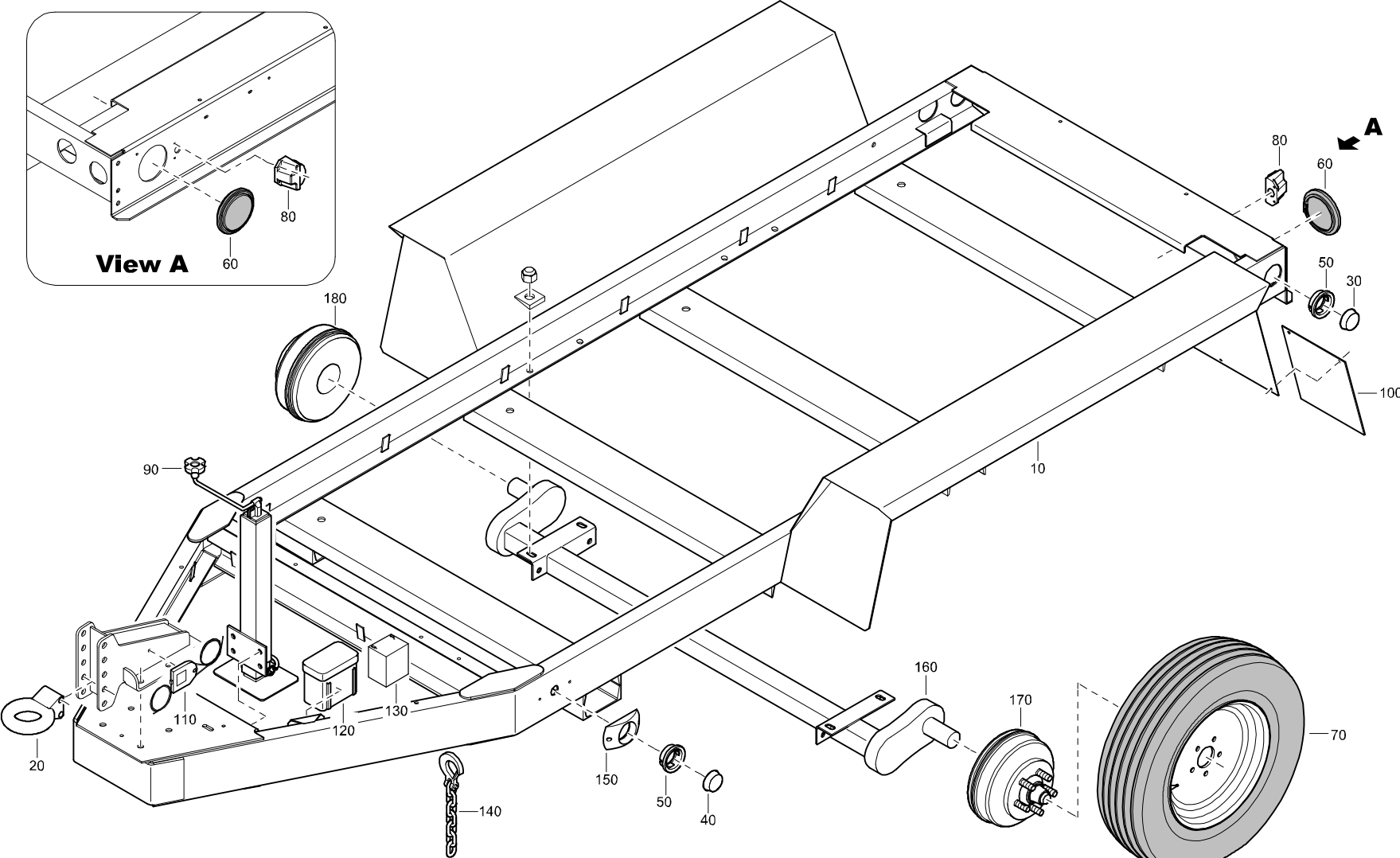
TRAILER ASSEMBLY - HYDRAULIC BRAKE



TRAILER ASSEMBLY - HYDRAULIC BRAKE

| REF | PART NUMBER | DESIGNATION | QTY | REF | PART NUMBER | DESIGNATION | QTY | REF | PART NUMBER | DESIGNATION | QTY |
|-----|--------------|-------------------------|-----|-----|-------------|-------------|-----|-----|-------------|-------------|-----|
| 10 | 8070 2909 55 | TRAILER-HYDRAULIC BRAKE | 1 | | | | | | | | |
| 20 | 1310 0346 73 | TOWING EYE | 1 | | | | | | | | |
| 30 | 1310 0347 42 | RED LIGHT | 2 | | | | | | | | |
| 40 | 1310 0347 43 | YELLOW LIGHT | 2 | | | | | | | | |
| 50 | 1310 0346 89 | GROMMET | 4 | | | | | | | | |
| 60 | 1310 0347 45 | SEAL | 2 | | | | | | | | |
| 70 | 1310 0348 56 | WHEEL-TIRE ASSY | 4 | | | | | | | | |
| 80 | 1310 0347 33 | LAMP LICENSE PLATE | 1 | | | | | | | | |
| 90 | 1310 0347 11 | JACK TONGUE | 1 | | | | | | | | |
| 100 | 1310 0347 65 | MUDFLAP | 2 | | | | | | | | |
| 110 | 1310 0345 82 | ACTUATOR | 1 | | | | | | | | |
| 120 | 1310 0346 45 | SAFETY CHAIN | 2 | | | | | | | | |
| 130 | 1310 0362 73 | MOUNT LIGHT | 2 | | | | | | | | |
| 140 | 1310 0305 28 | AXEL ASSY | 2 | | | | | | | | |
| 150 | 1310 0305 30 | BRAKE ASSY RH | 2 | | | | | | | | |
| 160 | 1310 0305 31 | BRAKE ASSY LH | 2 | | | | | | | | |

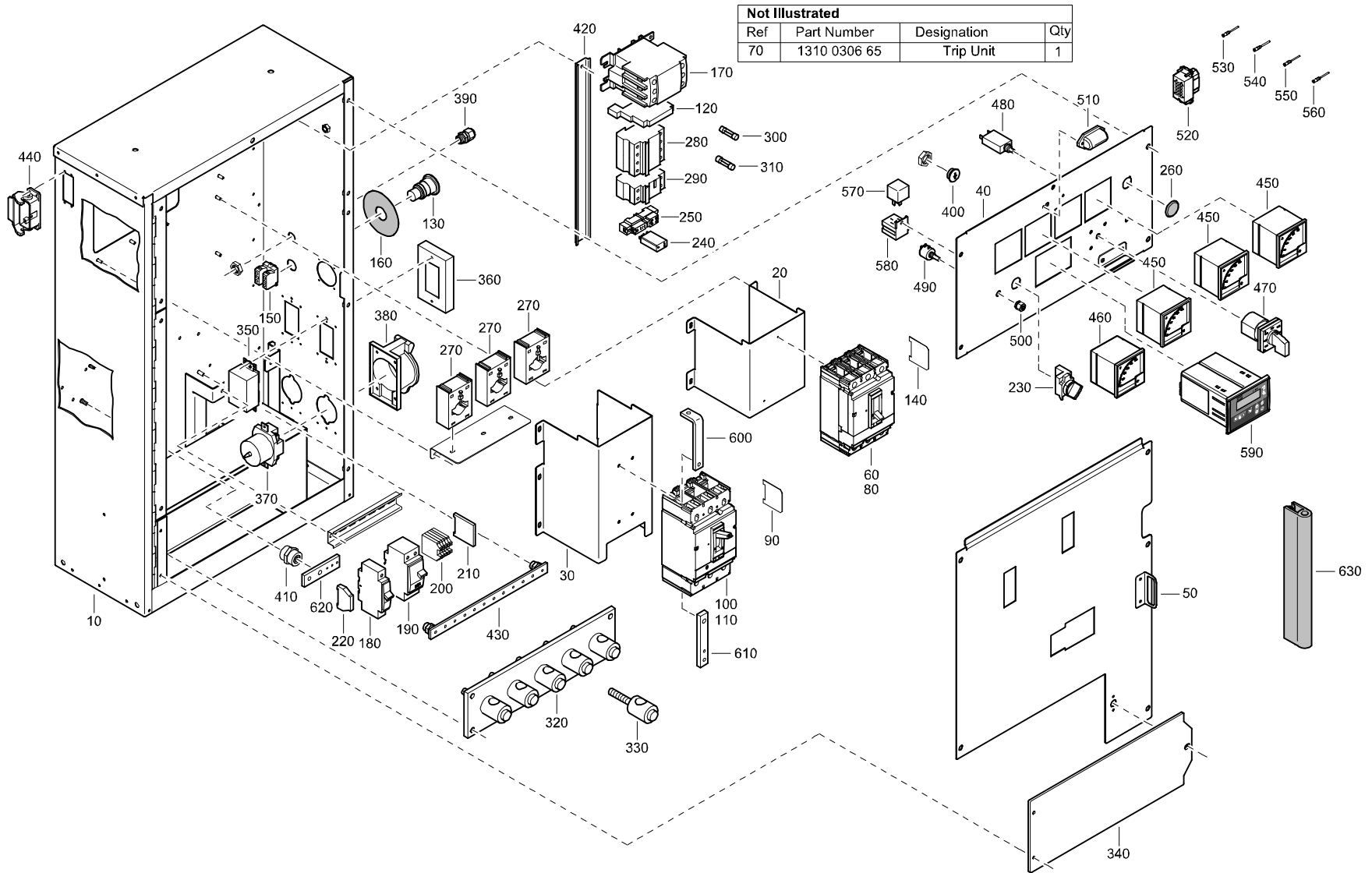
TRAILER ASSEMBLY - ELECTRIC BRAKE



TRAILER ASSEMBLY - ELECTRIC BRAKE

| REF | PART NUMBER | DESIGNATION | QTY | REF | PART NUMBER | DESIGNATION | QTY | REF | PART NUMBER | DESIGNATION | QTY |
|-----|--------------|------------------------|-----|-----|-------------|-------------|-----|-----|-------------|-------------|-----|
| 10 | 8070 2910 21 | TRAILER ELECTRIC BRAKE | 1 | | | | | | | | |
| 20 | 1310 0346 73 | TOWING EYE | 1 | | | | | | | | |
| 30 | 1310 0347 42 | RED LIGHT | 2 | | | | | | | | |
| 40 | 1310 0347 43 | YELLOW LIGHT | 2 | | | | | | | | |
| 50 | 1310 0346 89 | GROMMET | 4 | | | | | | | | |
| 60 | 1310 0347 45 | SEAL | 2 | | | | | | | | |
| 70 | 1310 0348 56 | WHEEL-TIRE ASSY | 4 | | | | | | | | |
| 80 | 1310 0347 33 | LAMP LICENSE PLATE | 1 | | | | | | | | |
| 90 | 1310 0347 11 | JACK TONGUE | 1 | | | | | | | | |
| 100 | 1310 0347 65 | MUDFLAP | 1 | | | | | | | | |
| 110 | 1310 0348 30 | BREAKAWAY SWITCH | 1 | | | | | | | | |
| 120 | 1310 0351 44 | BATTERY BOX | 1 | | | | | | | | |
| 130 | 1310 0351 45 | BATTERY | 1 | | | | | | | | |
| 140 | 1310 0346 45 | SAFETY CHAIN | 2 | | | | | | | | |
| 150 | 1310 0362 73 | MOUNT LIGHT | 2 | | | | | | | | |
| 160 | 1310 0305 29 | AXEL ASSY | 2 | | | | | | | | |
| 170 | 1310 0305 32 | BRAKE ASSY RH | 2 | | | | | | | | |
| 180 | 1310 0305 33 | BRAKE ASSY LH | 2 | | | | | | | | |

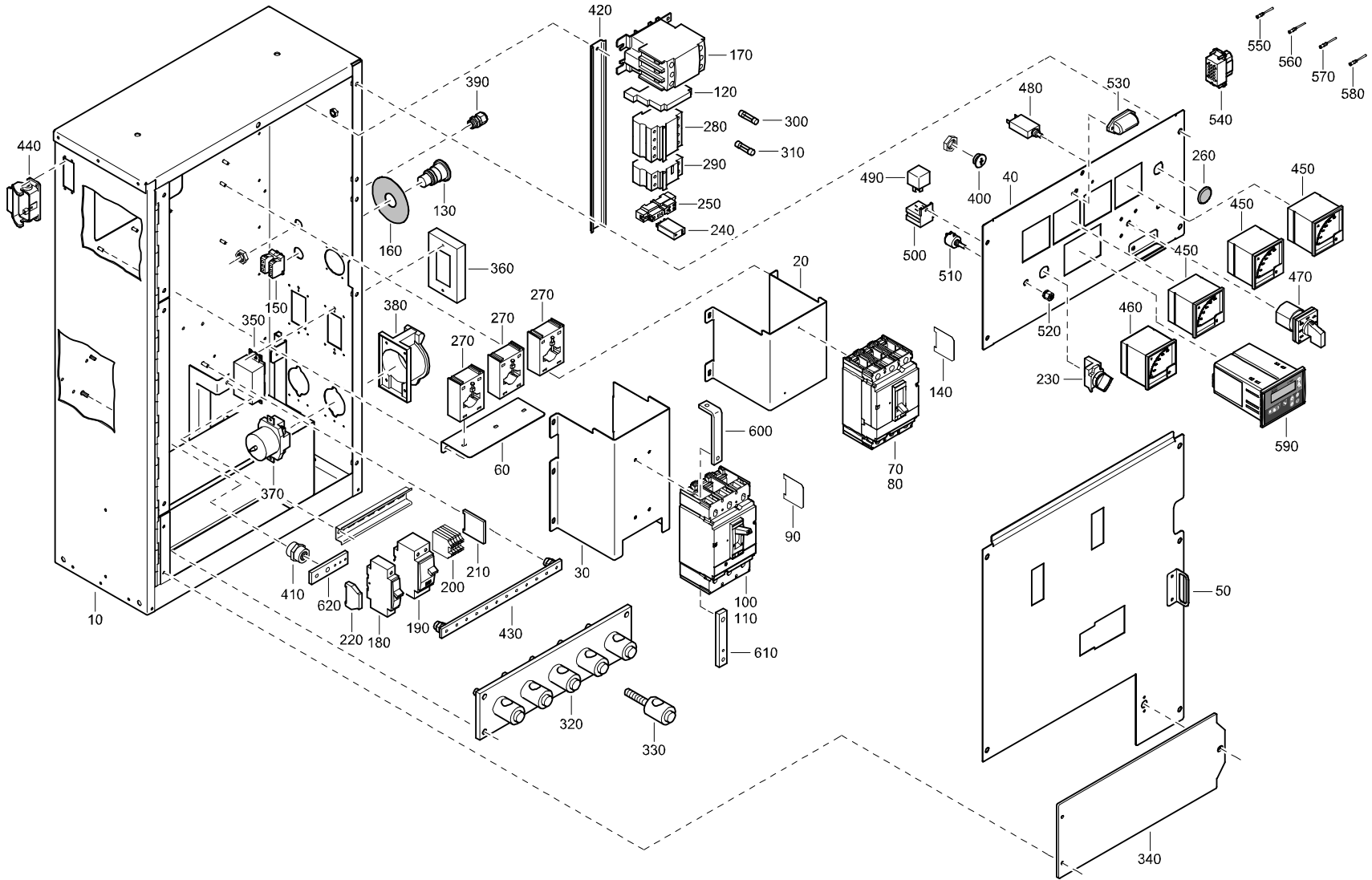
CUBICLE ASSEMBLY - CPG 70 Jd - STANDARD



CUBICLE ASSEMBLY - CPG 70 Jd - STANDARD

| REF | PART NUMBER | DESIGNATION | QTY | REF | PART NUMBER | DESIGNATION | QTY | REF | PART NUMBER | DESIGNATION | QTY |
|-----|--------------|-----------------------------|-----|-----|--------------|-------------------|-----|-----|-------------|-------------|-----|
| - | 1310 4395 81 | CUBICLE ASSY (From page 27) | | 360 | 1089 9412 11 | PROTECTION | 2 | | | | |
| 10 | 1310 4399 01 | CUBICLE SHEET METAL | 1 | 370 | 1089 9412 02 | RECEPTACLE | 2 | | | | |
| 20 | 1310 4399 44 | BRACKET | 1 | 380 | 1089 9412 12 | PROTECTION | 2 | | | | |
| 30 | 1310 4399 45 | BRACKET | 1 | 390 | 0698 5140 71 | CABLE GLAND | 1 | | | | |
| 40 | 1310 4399 50 | PANEL | 1 | 400 | 0697 9810 58 | PLUG | 1 | | | | |
| 50 | 1310 4399 51 | BRACKET | 1 | 410 | 1089 9385 03 | ISOLATOR | 1 | | | | |
| 20 | 1310 4402 01 | SUPPORT | 1 | 420 | 0993 7106 00 | RAIL DIN MOUNTING | AR | | | | |
| 30 | 1310 4422 01 | BRACKET CB SUPPORT | 1 | 430 | 1310 0306 61 | ISOLATOR | 1 | | | | |
| 40 | 1310 4369 01 | PANEL CONTROL | 1 | 440 | 1088 0029 50 | HOUSING | 1 | | | | |
| 50 | 1310 4423 01 | PANEL CUBICLE DOOR | 1 | 450 | 1089 9381 18 | AMMETER | 3 | | | | |
| 60 | 1310 0307 25 | CIRCUIT BREAKER | 1 | 460 | 1089 9383 01 | VOLTMETER | 1 | | | | |
| 70 | 1310 0306 65 | TRIP UNIT | 1 | 470 | 1089 9082 22 | SWITCH | 1 | | | | |
| 80 | 1310 0306 45 | SHUNT TRIP | 1 | 480 | 1089 9423 01 | FUSE | 1 | | | | |
| 90 | 1310 0307 14 | BARRIER | 1 | 490 | 1089 9371 21 | POTMETER | 1 | | | | |
| 100 | 1310 0307 26 | CIRCUIT BREAKER | 1 | 500 | 1089 9371 50 | LOCK | 1 | | | | |
| 110 | 1310 0306 45 | SHUNT TRIP | 1 | 510 | 1310 0307 18 | LIGHT PETERSEN | 1 | | | | |
| 120 | 1310 0306 44 | CONTACT AUXILIARY | 1 | 520 | 1088 0029 45 | INSERT MALE | 1 | | | | |
| 130 | 1310 0306 47 | EMERGENCY STOP | 1 | 530 | 1088 0029 57 | CONTACT MALE | 1 | | | | |
| 140 | 1310 0307 22 | BARRIER PHASE | 1 | 540 | 1088 0029 61 | CONTACT MALE | 5 | | | | |
| 150 | 1310 0306 48 | CONTACT BLOCK | 1 | 550 | 1088 0029 56 | CONTACT MALE | 1 | | | | |
| 160 | 1310 0306 49 | LABEL EMERGENCY STOP | 1 | 560 | 1088 0029 55 | CONTACT MALE | 3 | | | | |
| 170 | 1310 0306 50 | CONTACTOR | 1 | 570 | 1310 0306 62 | RELAY | 2 | | | | |
| 180 | 1310 0306 51 | CIRCUIT BREAKER | 2 | 580 | 1310 0306 63 | RELAY BASE | 2 | | | | |
| 190 | 1310 0306 52 | CIRCUIT BREAKER | 2 | 590 | 1604 9418 00 | CONTROLLER | 1 | | | | |
| 200 | 1310 0306 53 | TERMINAL BLOCK | 5 | 600 | 1310 0307 23 | BUSBAR | 3 | | | | |
| 210 | 1310 0306 54 | BARRIER | 1 | 610 | 1310 0307 20 | BUSBAR | 3 | | | | |
| 220 | 1310 0306 55 | TERMINAL END STOP | 2 | 620 | 1310 0307 21 | BUSBAR | 1 | | | | |
| 230 | 1089 0263 27 | SELECTOR SWITCH | 1 | 630 | 1202 6584 00 | SEAL EDGE | AR | | | | |
| 240 | 1310 0306 56 | RELAY | 2 | | | | | | | | |
| 250 | 1310 0306 57 | RELAY BASE | 2 | | | | | | | | |
| 260 | 1310 0307 16 | PLUG | 1 | | | | | | | | |
| 270 | 1089 9484 65 | TRANSFORMER | 3 | | | | | | | | |
| 280 | 1310 0306 58 | FUSEHOLDER | 1 | | | | | | | | |
| 290 | 1310 0306 59 | FUSEHOLDER | 1 | | | | | | | | |
| 300 | 1310 0307 17 | FUSE | 3 | | | | | | | | |
| 310 | 1310 0306 60 | FUSE | 2 | | | | | | | | |
| 320 | 1615 8508 00 | TERMINAL BOARD | 1 | | | | | | | | |
| 330 | 1615 8893 00 | TERMINAL | 5 | | | | | | | | |
| 340 | 1626 2302 00 | DOOR PLEXIGLASS | 1 | | | | | | | | |
| 350 | 1089 9412 01 | RECEPTACLE | 2 | | | | | | | | |

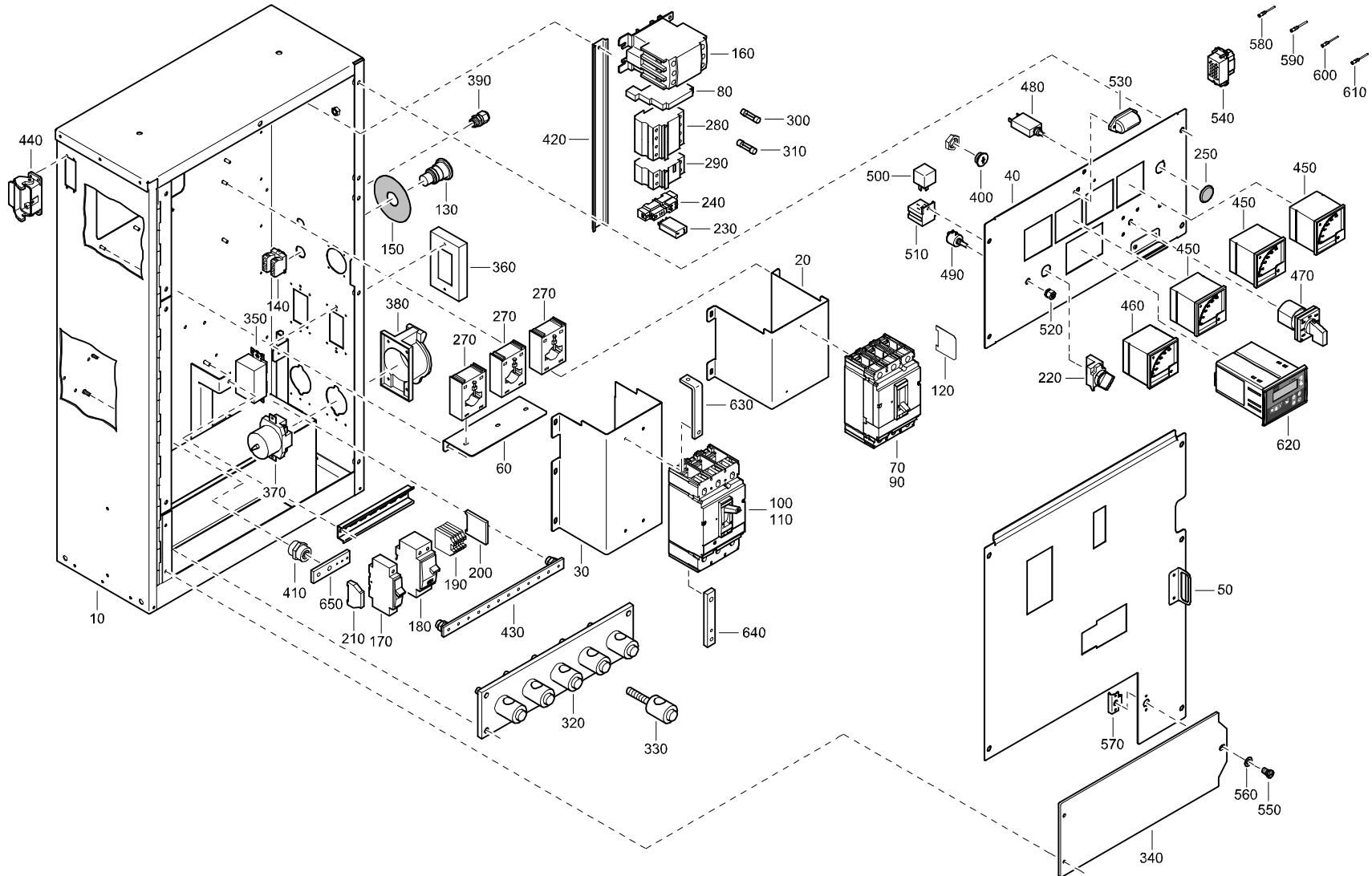
CUBICLE ASSEMBLY - CPG 90 Jd - STANDARD



CUBICLE ASSEMBLY - CPG 90 Jd - STANDARD

| REF | PART NUMBER | DESIGNATION | QTY | REF | PART NUMBER | DESIGNATION | QTY | REF | PART NUMBER | DESIGNATION | QTY |
|-----|--------------|-----------------------------|-----|-----|--------------|-------------------|-----|-----|-------------|-------------|-----|
| - | 1310 4367 81 | CUBICLE ASSY (From page 28) | | 360 | 1089 9412 11 | PROTECTION | 2 | | | | |
| 10 | 1310 4399 01 | CUBICLE SHEET METAL | 1 | 370 | 1089 9412 02 | RECEPTACLE | 2 | | | | |
| 20 | 1310 4399 44 | BRACKET | 1 | 380 | 1089 9412 12 | PROTECTION | 2 | | | | |
| 30 | 1310 4399 45 | BRACKET | 1 | 390 | 0698 5140 71 | CABLE GLAND | 1 | | | | |
| 40 | 1310 4399 50 | PANEL | 1 | 400 | 0697 9810 58 | PLUG | 1 | | | | |
| 50 | 1310 4399 51 | BRACKET | 1 | 410 | 1089 9385 03 | ISOLATOR | 1 | | | | |
| 20 | 1310 4402 01 | SUPPORT BREAKER | 1 | 420 | 0993 7106 00 | RAIL DIN MOUNTING | AR | | | | |
| 30 | 1310 4422 01 | BRACKET CB SUUPPORT | 1 | 430 | 1310 0306 61 | ISOLATOR | 1 | | | | |
| 40 | 1310 4369 01 | PANEL CONTROL | 1 | 440 | 1088 0029 50 | HOUSING | 1 | | | | |
| 50 | 1310 4423 01 | PANEL CUBICLE DOOR | 1 | 450 | 1089 9381 18 | AMMETER | 3 | | | | |
| 60 | 1310 4630 01 | BRACKET CUBICLE | 1 | 460 | 1089 9383 01 | VOLTMETER | 1 | | | | |
| 70 | 1310 0307 24 | CIRCUIT BREAKER | 1 | 470 | 1089 9082 22 | SWITCH | 1 | | | | |
| 80 | 1310 0306 45 | SHUNT TRIP | 1 | 480 | 1089 9423 01 | FUSE | 1 | | | | |
| 90 | 1310 0307 14 | BARRIER | 1 | 490 | 1310 0306 62 | RELAY | 2 | | | | |
| 100 | 1310 0306 64 | CIRCUIT BREAKER | 1 | 500 | 1310 0306 63 | RELAY | 2 | | | | |
| 110 | 1310 0306 45 | SHUNT TRIP | 1 | 510 | 1089 9371 21 | POTMETER | 1 | | | | |
| 120 | 1310 0306 44 | CONTACT AUXILIARY | 1 | 520 | 1089 9371 50 | LOCK | 1 | | | | |
| 130 | 1310 0306 47 | EMERGENCY STOP | 1 | 530 | 1310 0307 18 | LIGHT | 1 | | | | |
| 140 | 1310 0307 22 | BARRIER PHASE | 1 | 540 | 1088 0029 45 | INSERT MALE | 1 | | | | |
| 150 | 1310 0306 48 | CONTACT BLOCK | 1 | 550 | 1088 0029 57 | CONTACT MALE | 2 | | | | |
| 160 | 1310 0306 49 | LABEL EMERGENCY STOP | 1 | 560 | 1088 0029 61 | CONTACT MALE | 5 | | | | |
| 170 | 1310 0306 50 | CONTACTOR | 1 | 570 | 1088 0029 56 | CONTACT MALE | 1 | | | | |
| 180 | 1310 0306 51 | CIRCUIT BREAKER | 2 | 580 | 1088 0029 55 | CONTACT MALE | 3 | | | | |
| 190 | 1310 0306 52 | CIRCUIT BREAKER | 2 | 590 | 1604 9418 00 | CONTROLLER | 1 | | | | |
| 200 | 1310 0306 53 | TERMINAL BLOCK | 5 | 600 | 1310 0307 23 | BUSBAR | 3 | | | | |
| 210 | 1310 0306 54 | BARRIER TERMINAL BLOCK | 1 | 610 | 1310 0307 20 | BUSBAR | 3 | | | | |
| 220 | 1310 0306 55 | TERMINAL END STOP | 2 | 620 | 1310 0307 21 | BUSBAR | 1 | | | | |
| 230 | 1089 0263 27 | SELECTOR SWITCH | 1 | | | | | | | | |
| 240 | 1310 0306 56 | RELAY | 2 | | | | | | | | |
| 250 | 1310 0306 57 | RELAY | 2 | | | | | | | | |
| 260 | 1310 0307 16 | PLUG | 1 | | | | | | | | |
| 270 | 1089 9484 65 | TRANSFORMER | 3 | | | | | | | | |
| 280 | 1310 0306 58 | FUSE HOLDER | 1 | | | | | | | | |
| 290 | 1310 0306 59 | FUSE HOLDER | 1 | | | | | | | | |
| 300 | 1310 0307 17 | FUSE | 3 | | | | | | | | |
| 310 | 1310 0306 60 | FUSE | 2 | | | | | | | | |
| 320 | 1615 8508 00 | TERMINAL BOARD | 1 | | | | | | | | |
| 330 | 1615 8893 00 | TERMINAL | 5 | | | | | | | | |
| 340 | 1626 2302 00 | DOOR PLEXIGLASS | 1 | | | | | | | | |
| 350 | 1089 9412 01 | RECEPTACLE | 2 | | | | | | | | |

CUBICLE ASSEMBLY - CPG 120 Jd - STANDARD

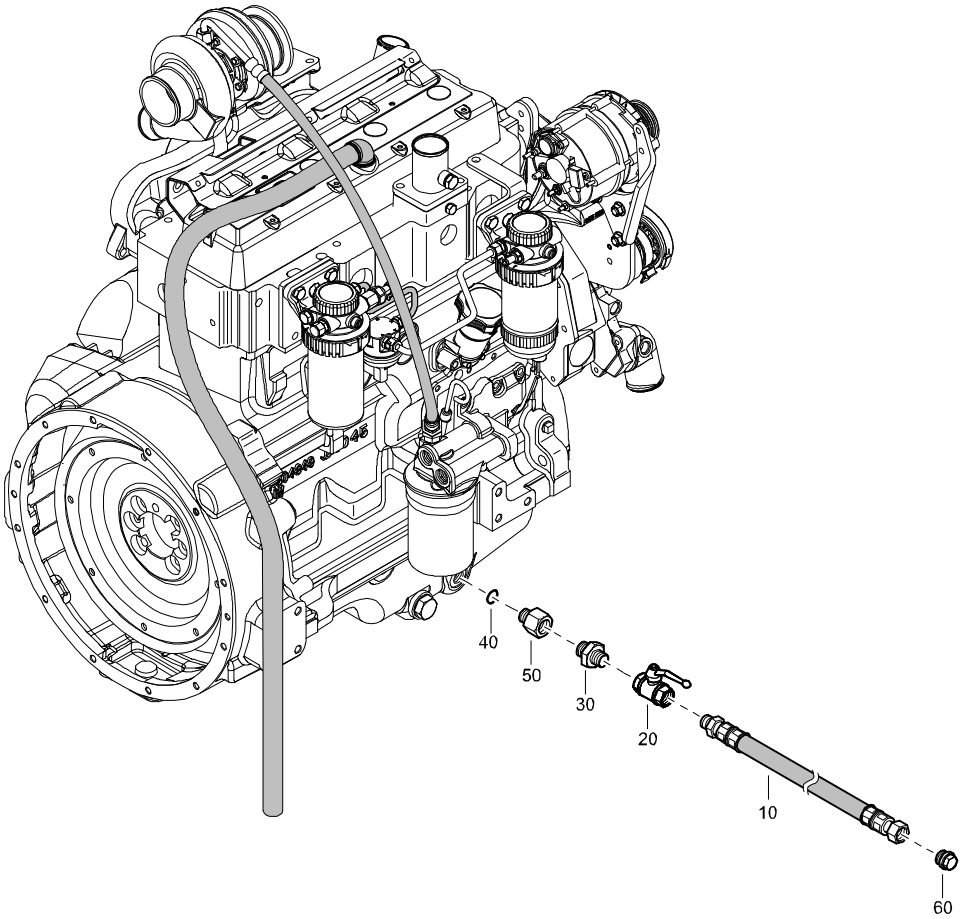


CUBICLE ASSEMBLY - CPG 120 Jd - STANDARD

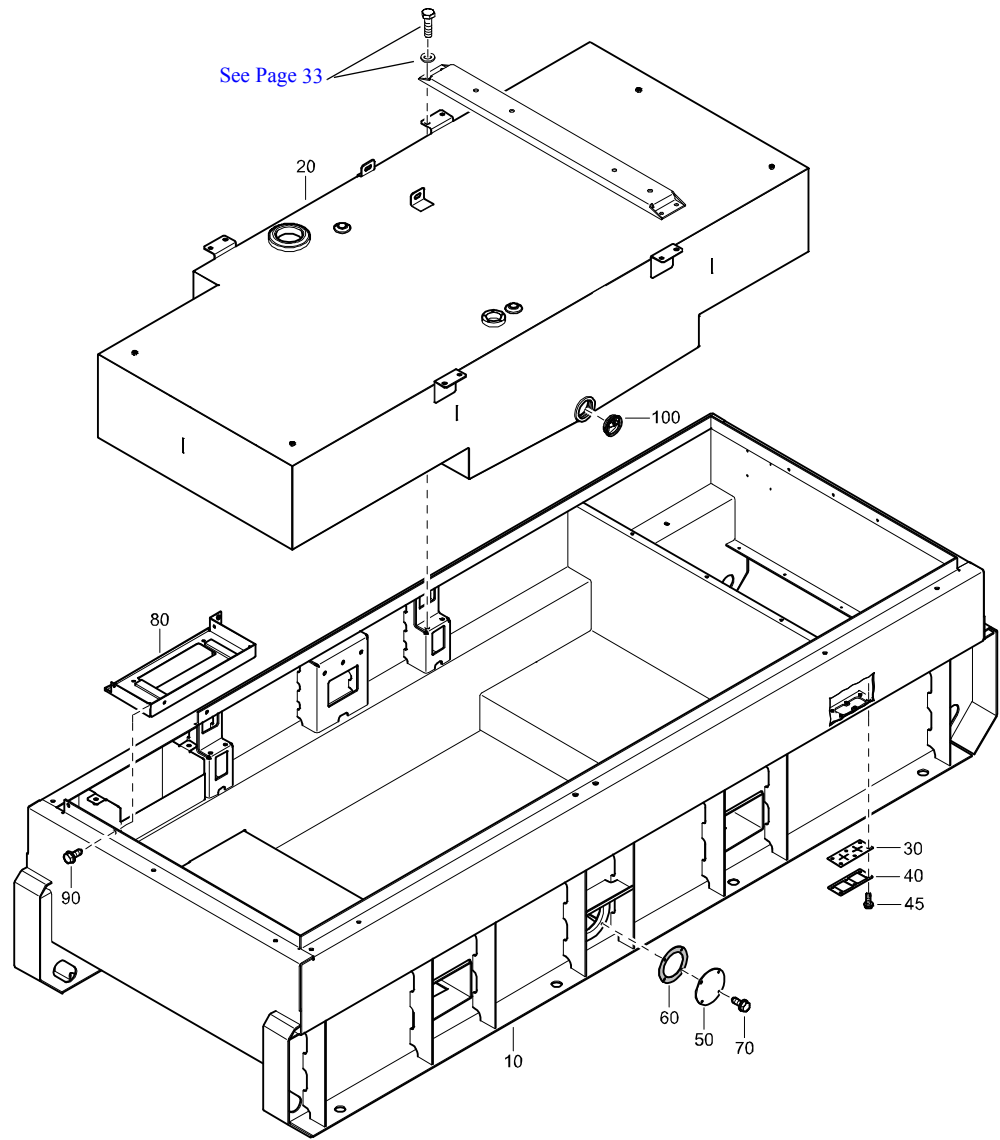
| REF | PART NUMBER | DESIGNATION | QTY | REF | PART NUMBER | DESIGNATION | QTY | REF | PART NUMBER | DESIGNATION | QTY |
|-----|--------------|-------------------|----------------|-----|--------------|------------------|-----|-----|-------------|-------------|-----|
| - | 1310 4368 81 | CUBICLE ASSY | (From page 29) | 410 | 1089 9385 03 | ISOLATOR | 1 | | | | |
| 10 | 1310 4399 01 | CUBICLE | 1 | 420 | 0993 7106 00 | RAIL | AR | | | | |
| 20 | 1310 4402 01 | SUPPORT | 1 | 430 | 1310 0306 61 | ISOLATOR | 1 | | | | |
| 30 | 1310 4403 01 | SUPPORT | 1 | 440 | 1088 0029 50 | HOUSING | 1 | | | | |
| 40 | 1310 4369 01 | PANEL | 1 | 450 | 1089 9381 18 | AMMETER | 3 | | | | |
| 50 | 1310 4401 01 | PANEL | 1 | 460 | 1089 9383 01 | VOLTMETER | 1 | | | | |
| 60 | 1310 4630 01 | BRACKET | 1 | 470 | 1089 9082 22 | SWITCH | 1 | | | | |
| 70 | 1310 0306 43 | CIRCUIT BREAKER | 1 | 480 | 1089 9423 01 | FUSE | 1 | | | | |
| 80 | 1310 0306 44 | CONTACT | 1 | 490 | 1089 9371 21 | POTMETER | 1 | | | | |
| 90 | 1310 0306 45 | SHUNT TRIP | 1 | 500 | 1310 0306 62 | RELAY | 2 | | | | |
| 100 | 1310 0306 46 | CIRCUIT BREAKER | 1 | 510 | 1310 0306 63 | RELAY BASE | 2 | | | | |
| 110 | 1310 0306 45 | SHUNT TRIP | 1 | 520 | 1089 9371 50 | LOCK | 1 | | | | |
| 120 | 1310 0307 15 | BARRIER | 1 | 530 | 1310 0307 18 | LIGHT | 1 | | | | |
| 130 | 1310 0306 47 | EMERGENCY STOP | 1 | 540 | 1088 0029 45 | INSERT:MALE | 1 | | | | |
| 140 | 1310 0306 48 | CONTACT BLOCK | 1 | 550 | 1615 7166 00 | STUD | 1 | | | | |
| 150 | 1310 0306 49 | LABEL | 1 | 560 | 1615 6727 00 | WASHER | 1 | | | | |
| 160 | 1310 0306 50 | CONTACTOR | 1 | 570 | 1615 6728 00 | PLATE | 1 | | | | |
| 170 | 1310 0306 51 | CIRCUIT BREAKER | 2 | 580 | 1088 0029 57 | CONTACT:MALE | 2 | | | | |
| 180 | 1310 0306 52 | CIRCUIT BREAKER | 2 | 590 | 1088 0029 61 | CONTACT:MALE | 5 | | | | |
| 190 | 1310 0306 53 | TERMINAL BLOCK | 5 | 600 | 1088 0029 56 | CONTACT:MALE | 1 | | | | |
| 200 | 1310 0306 54 | BARRIER | 1 | 610 | 1088 0029 55 | CONTACT:MALE | 3 | | | | |
| 210 | 1310 0306 55 | TERMINAL END STOP | 2 | 620 | 1604 9418 00 | CONTROLLER | 1 | | | | |
| 220 | 1089 0263 27 | SELECTOR SWITCH | 1 | 630 | 1310 0307 19 | BUSBAR:LINE SIDE | 3 | | | | |
| 230 | 1310 0306 56 | RELAY | 2 | 640 | 1310 0307 20 | BUSBAR:LOAD SIDE | 3 | | | | |
| 240 | 1310 0306 57 | RELAY BASE | 2 | 650 | 1310 0307 21 | BUSBAR:NEUTRAL | 1 | | | | |
| 250 | 1310 0307 16 | PLUG | 1 | | | | | | | | |
| 270 | 1089 9484 65 | TRANSFORMER | 3 | | | | | | | | |
| 280 | 1310 0306 58 | FUSEHOLDER | 1 | | | | | | | | |
| 290 | 1310 0306 59 | FUSEHOLDER | 1 | | | | | | | | |
| 300 | 1310 0307 17 | FUSE | 3 | | | | | | | | |
| 310 | 1310 0306 60 | FUSE | 2 | | | | | | | | |
| 320 | 1615 8508 00 | TERMINAL BOARD | 1 | | | | | | | | |
| 330 | 1615 8893 00 | TERMINAL | 5 | | | | | | | | |
| 340 | 1626 2302 00 | DOOR | 1 | | | | | | | | |
| 350 | 1089 9412 01 | RECEPTACLE | 2 | | | | | | | | |
| 360 | 1089 9412 11 | PROTECTION | 2 | | | | | | | | |
| 370 | 1089 9412 02 | RECEPTACLE | 2 | | | | | | | | |
| 380 | 1089 9412 12 | PROTECTION | 2 | | | | | | | | |
| 390 | 0698 5140 71 | CABLE GLAND | 1 | | | | | | | | |
| 400 | 0697 9810 58 | PLUG | 1 | | | | | | | | |

OIL SYSTEM - STANDARD

| REF | PART NUMBER | DESIGNATION | QTY |
|-----|--------------|---------------------------|-----|
| 10 | 1310 0353 82 | HOSE ASY ENGINE OIL DRAIN | 1 |
| 20 | VAL02131 | BALL VALVE | 1 |
| 30 | 0603 0118 14 | NIPPLE | 1 |
| 40 | 0663 3122 00 | O-RING | 1 |
| 50 | 1310 0354 87 | ADAPTER | 1 |
| 60 | 1310 0355 25 | PLUG | 1 |

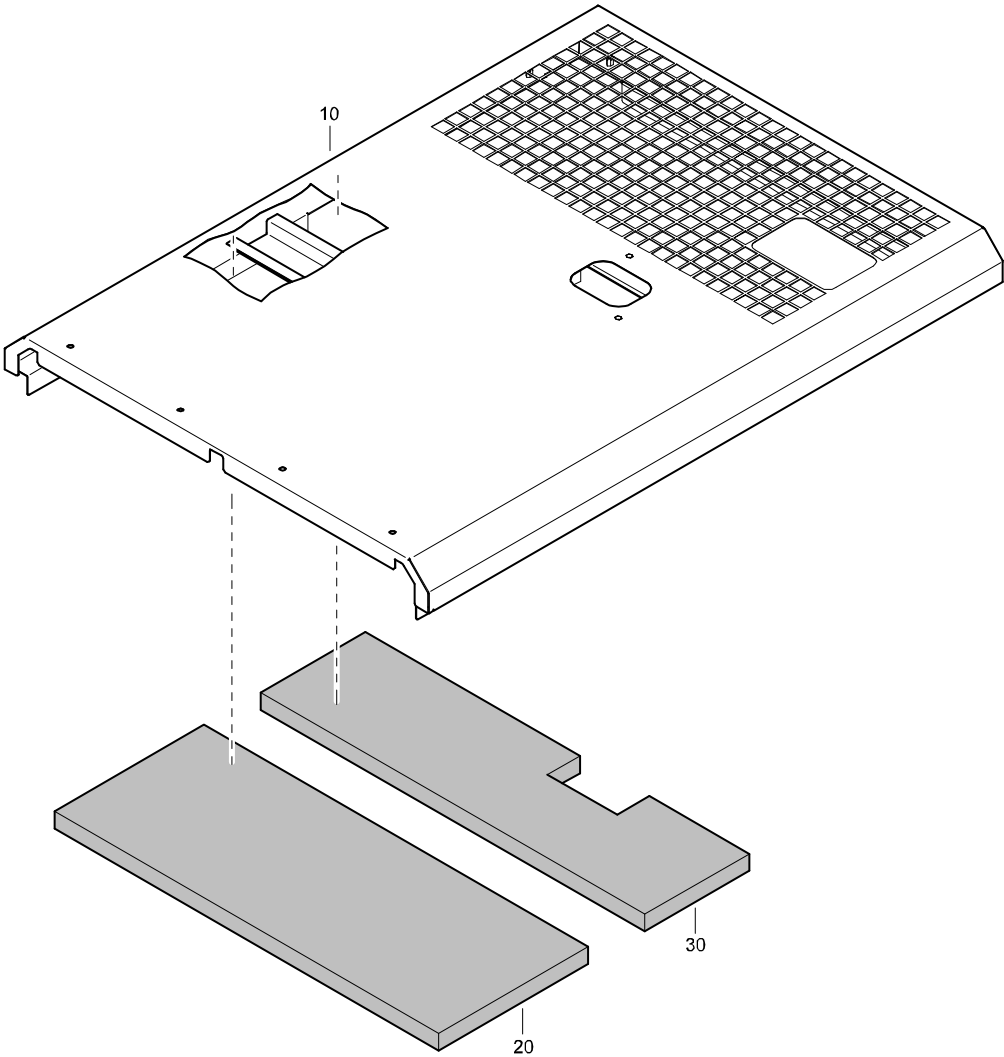


FRAME TANK ASSEMBLY - STANDARD



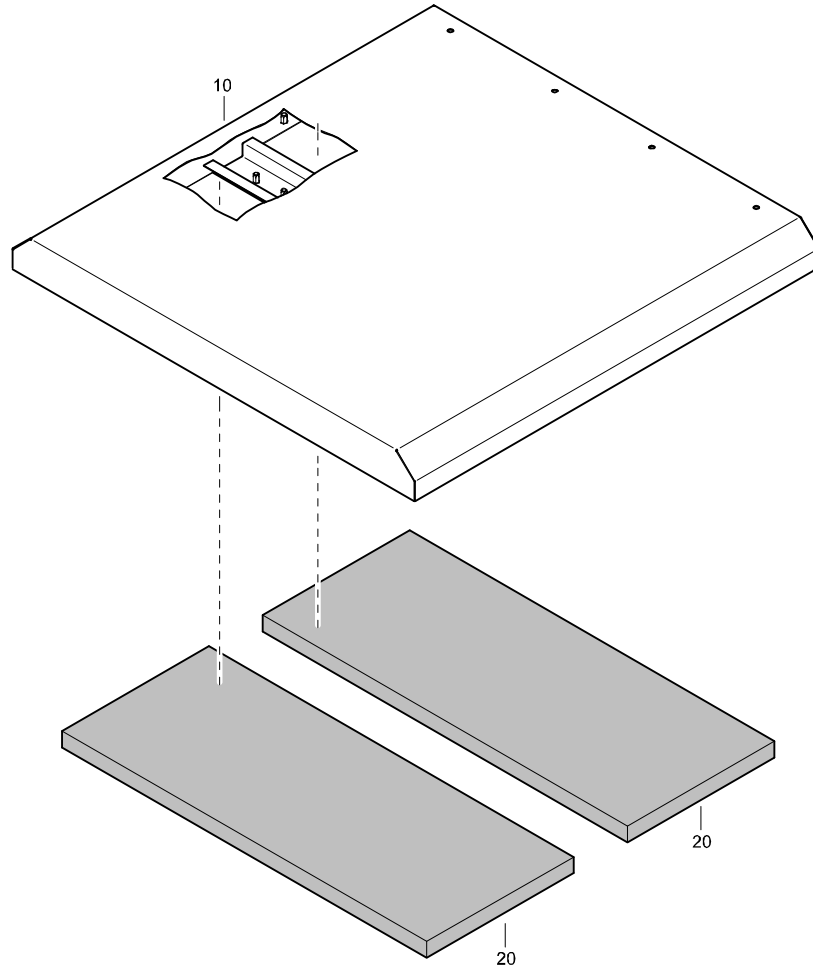
| REF | PART NUMBER | DESIGNATION | QTY |
|-----|--------------|---------------------|-----|
| - | 1310 3124 86 | FRAME TANK ASSEMBLY | |
| | | (From page 34) | |
| 10 | 1310 4420 00 | FRAME | 1 |
| 20 | 1310 4396 00 | FUEL TANK | 1 |
| 30 | 1310 4368 00 | GASKET | 1 |
| 40 | 1310 4367 00 | PLATE | 1 |
| 45 | 1619 5898 01 | HEX HEAD SCREW | 6 |
| 50 | 1310 4479 00 | COVER-DRAIN | 1 |
| 60 | 1310 4637 00 | GASKET | 1 |
| 70 | 1619 2766 00 | HEX HEAD SCREW | 4 |
| 80 | 1310 4541 00 | MOUNT CUBICLE | 1 |
| 90 | 1619 2766 00 | HEX HEAD SCREW | 3 |
| 100 | 1310 0306 26 | PLUG | 3 |

FRONT ROOF ASSEMBLY - STANDARD



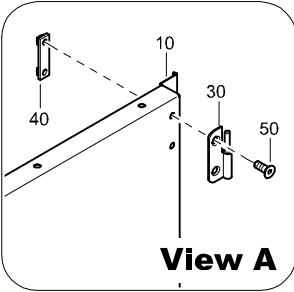
| REF | PART NUMBER | DESIGNATION | QTY |
|-----|--------------|-----------------------------------------|-----|
| - | 1310 4370 80 | PANEL-ROOF ASSY FRONT (From page 34) | |
| 10 | 1310 4370 00 | ROOF PANEL | 1 |
| 20 | 1310 0370 08 | INSULATION ROOF | 1 |
| 30 | 1310 0370 09 | INSULATION ROOF | 1 |

REAR ROOF ASSEMBLY - STANDARD

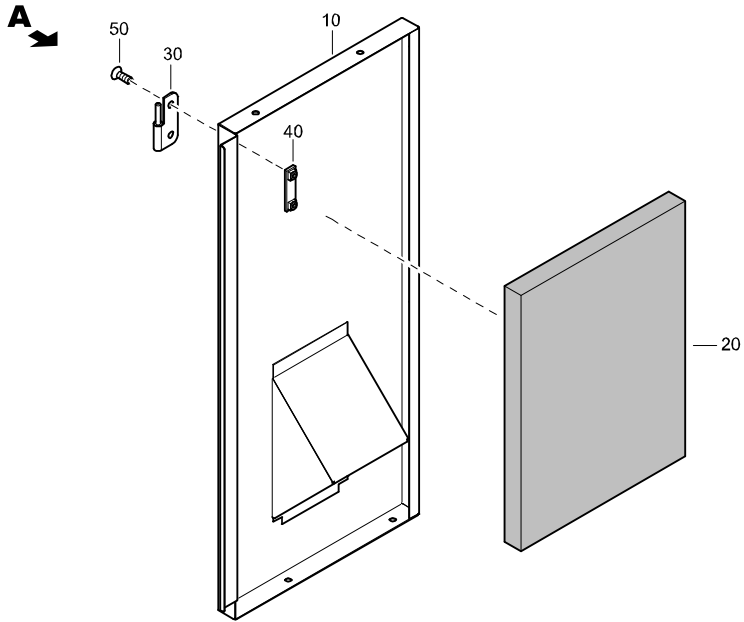


| REF | PART NUMBER | DESIGNATION | QTY |
|-----|--------------|-----------------------------------------|-----|
| - | 1310 4371 80 | PANEL-ROOF ASSY FRONT (From page 34) | |
| 10 | 1310 4371 00 | PANEL ROOF REAR | 1 |
| 20 | 1310 0370 10 | INSULATION ROOF | 2 |

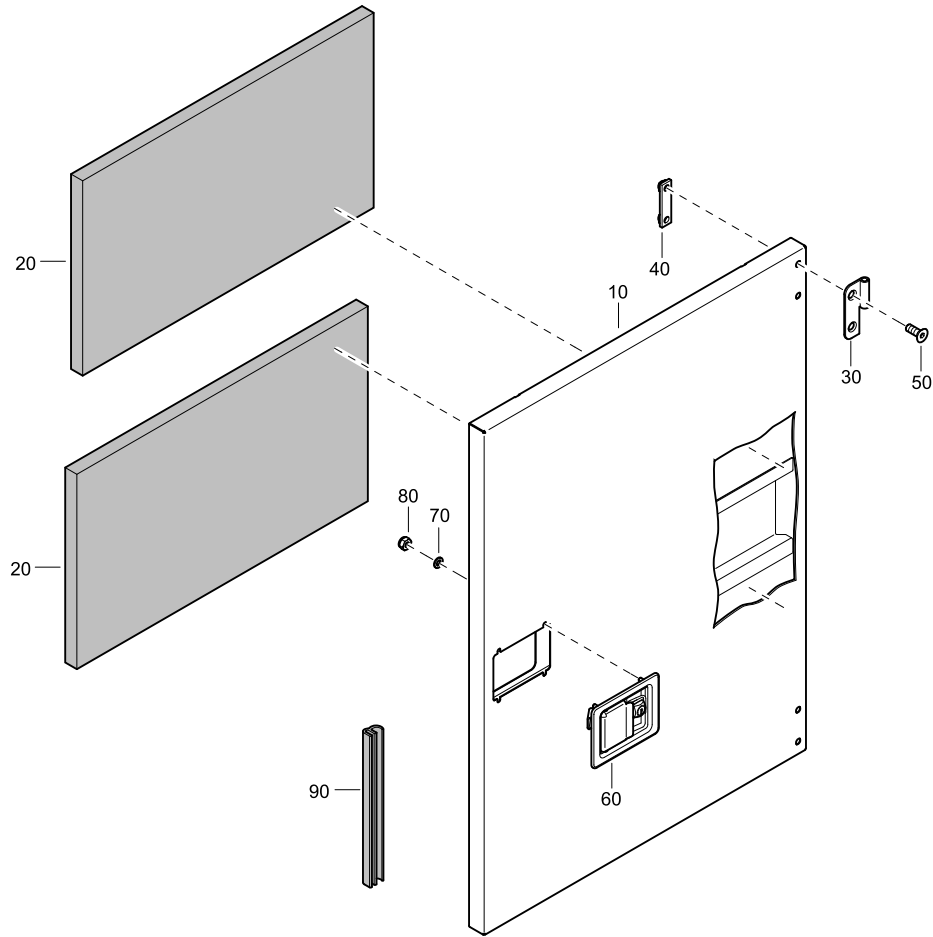
SIDE PANEL ASSEMBLY - STANDARD



| REF | PART NUMBER | DESIGNATION | QTY |
|-----|--------------|--------------------------------|-----|
| - | 1310 4374 80 | PANEL-SIDE ASSY (From page 34) | |
| 10 | 1310 4374 00 | SIDE PANEL | 1 |
| 20 | 1310 0370 15 | INSULATION | 1 |
| 30 | 1615 5686 01 | HINGE | 2 |
| 40 | 1615 5684 00 | BRACKET | 2 |
| 50 | 0216 1324 03 | SOC HD CAP SCREW | 4 |



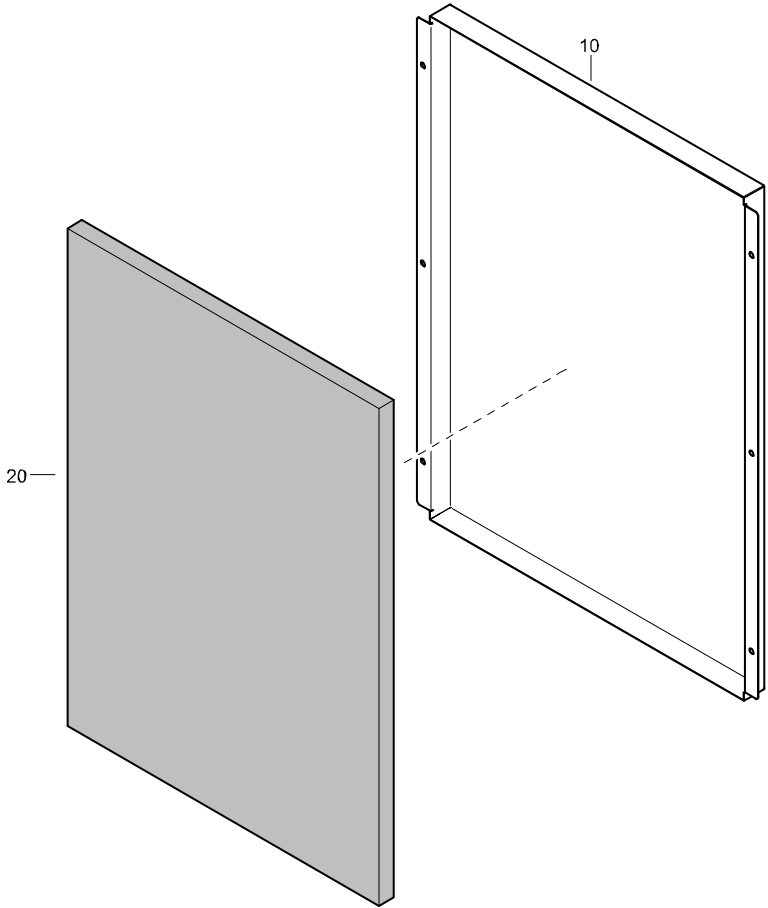
DOOR-LARGE ASSEMBLY - STANDARD



| REF | PART NUMBER | DESIGNATION | QTY |
|-----|--------------|--------------------------------|-----|
| - | 1310 4375 80 | DOOR-LARGE ASSY (From page 34) | |
| 10 | 1310 4375 00 | DOOR-LARGE L&R | 1 |
| 20 | 1310 0370 16 | INSULATION | 2 |
| 30 | 1615 5685 01 | HINGE | 2 |
| 40 | 1615 5684 00 | BRACKET | 2 |
| 50 | 0216 1324 03 | SOC HD CAP SCREW | 4 |
| 60 | 1615 6967 03 | HANDLE | 1 |
| 70 | 0301 2321 00 | FLAT WASHER | 4 |
| 80 | 0291 1108 00 | LOCKNUT | 4 |
| 90 | 1619 2665 00 | SEAL | AR |

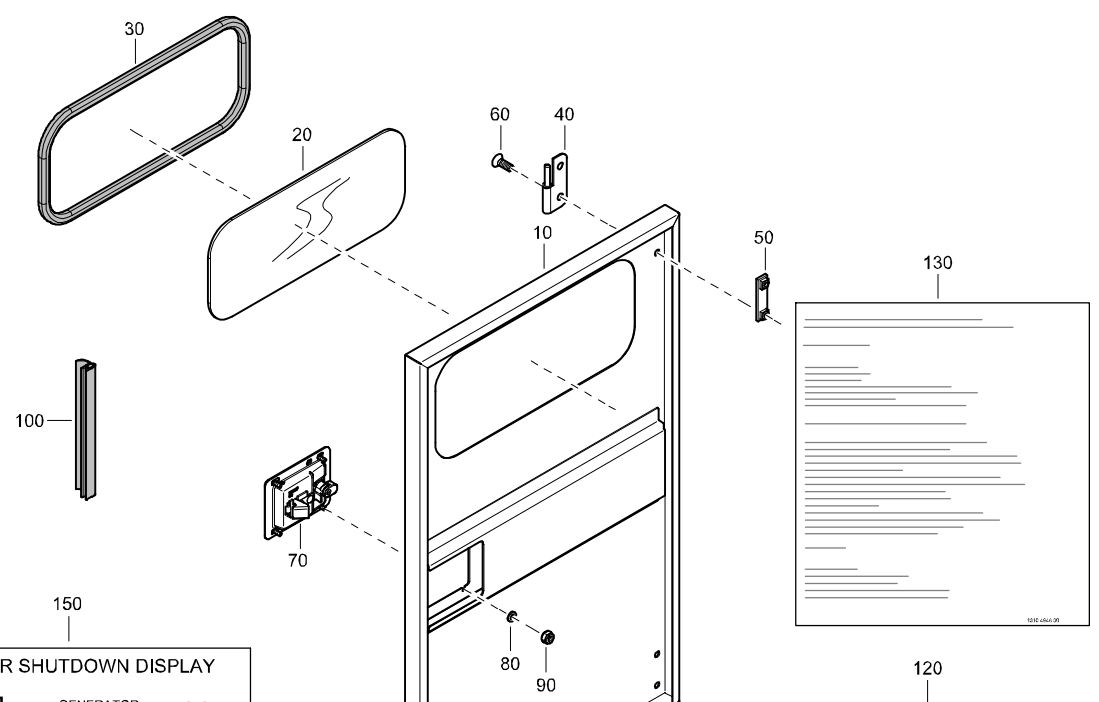
FRONT PANEL ASSEMBLY - STANDARD

| REF | PART NUMBER | DESIGNATION | QTY |
|-----|--------------|---------------------------------|-----|
| - | 1310 4378 80 | PANEL-FRONT ASSY (From page 34) | |
| 10 | 1310 4378 00 | FRONT PANEL | 1 |
| 20 | 1310 0370 18 | INSULATION | 1 |



CUBICLE DOOR ASSEMBLY - STANDARD

| REF | PART NUMBER | DESIGNATION | QTY |
|-----|--------------|----------------------------------|-----|
| - | 1310 4377 80 | DOOR-CUBICLE ASSY (From page 34) | |
| 10 | 1310 4377 00 | DOOR-CUBICLE | 1 |
| 20 | 1310 4048 00 | WINDOW | 1 |
| 30 | 1310 4049 00 | SEAL | AR |
| 40 | 1615 5685 01 | HINGE | 2 |
| 50 | 1615 5684 00 | BRACKET | 2 |
| 60 | 0216 1324 03 | SOC HD CAP SCREW | 4 |
| 70 | 1615 6967 03 | HANDLE | 1 |
| 80 | 0301 2321 00 | FLAT WASHER | 4 |
| 90 | 0291 1108 00 | LOCKNUT | 4 |
| 100 | 1619 2665 00 | SEAL | AR |
| 120 | 1310 4558 00 | LABEL OPERATING INSTRUCTION | 1 |
| 130 | 1310 4946 00 | LABEL OPERATING INSTRUCTION | 1 |
| 150 | 1310 4100 00 | LABEL OPERATING | 1 |



WARNING OR SHUTDOWN DISPLAY

| | | | |
|--------------------------|----|------------------------|-----|
| LOW OIL PRESSURE | | GENERATOR OVERVOLTAGE | Hz> |
| HIGH COOLENT TEMPERATURE | | GENERATOR UNDERVOLTAGE | Hz< |
| CHARGING ALTERNATOR | | SERVICE TIMER 1 | Y1 |
| LOW FUEL LEVEL | | SERVICE TIMER 2 | Y2 |
| LOW COOLENT LEVEL | | EMERGENCY STOP | |
| GENERATOR OVERVOLTAGE | V> | ALARM | |
| GENERATOR UNDERVOLTAGE | V< | START FAILURE | |
| | | STOP FAILURE | |

1310 4100 00 rev.1

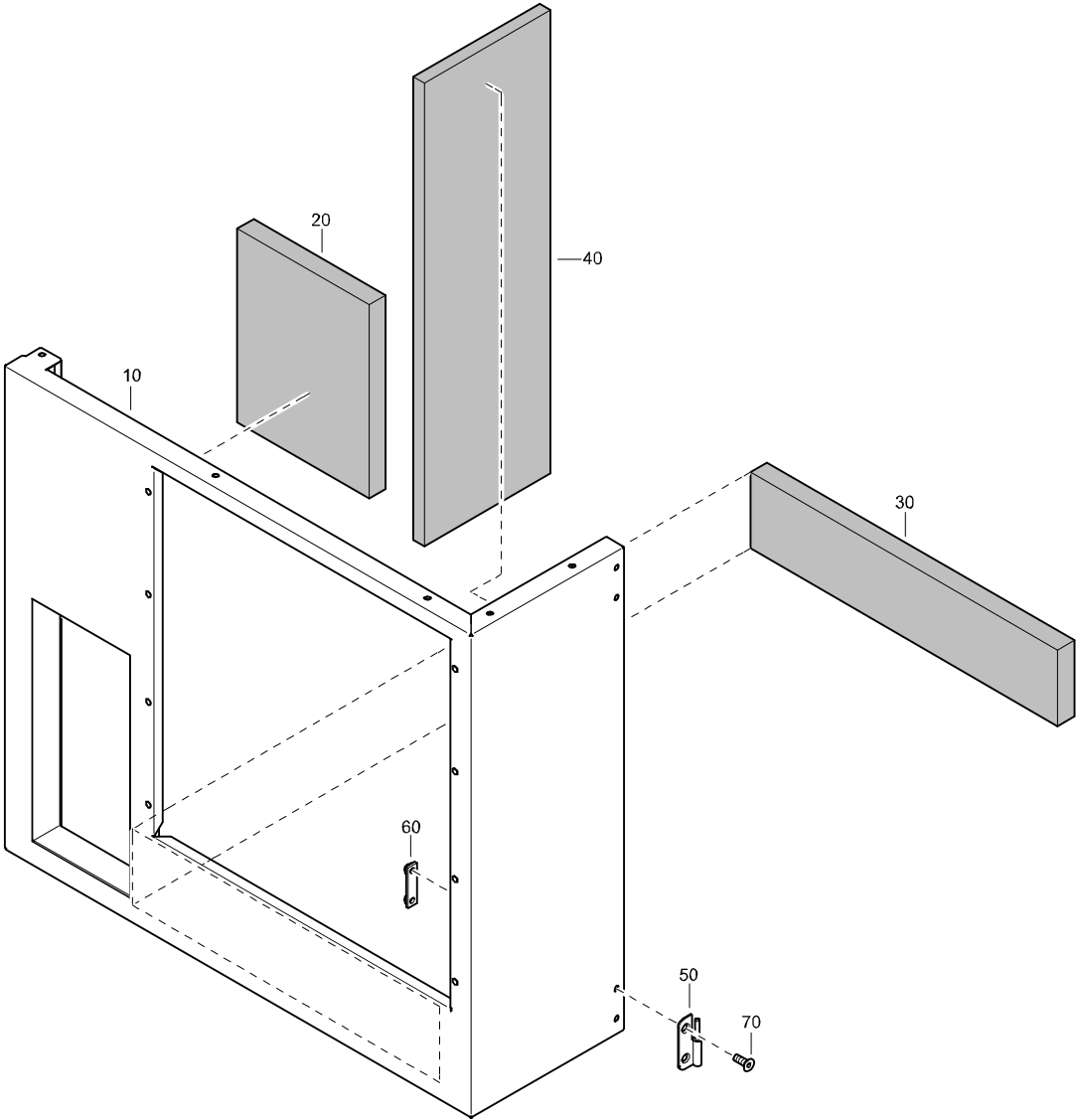
120

Identification of symbols

1. Stop Generator
2. Start Generator
3. Remote start
4. To scroll up through menu
5. To scroll down through menu
6. To enter selection
7. To go back to main menu
8. Warning Indication
9. Power ON

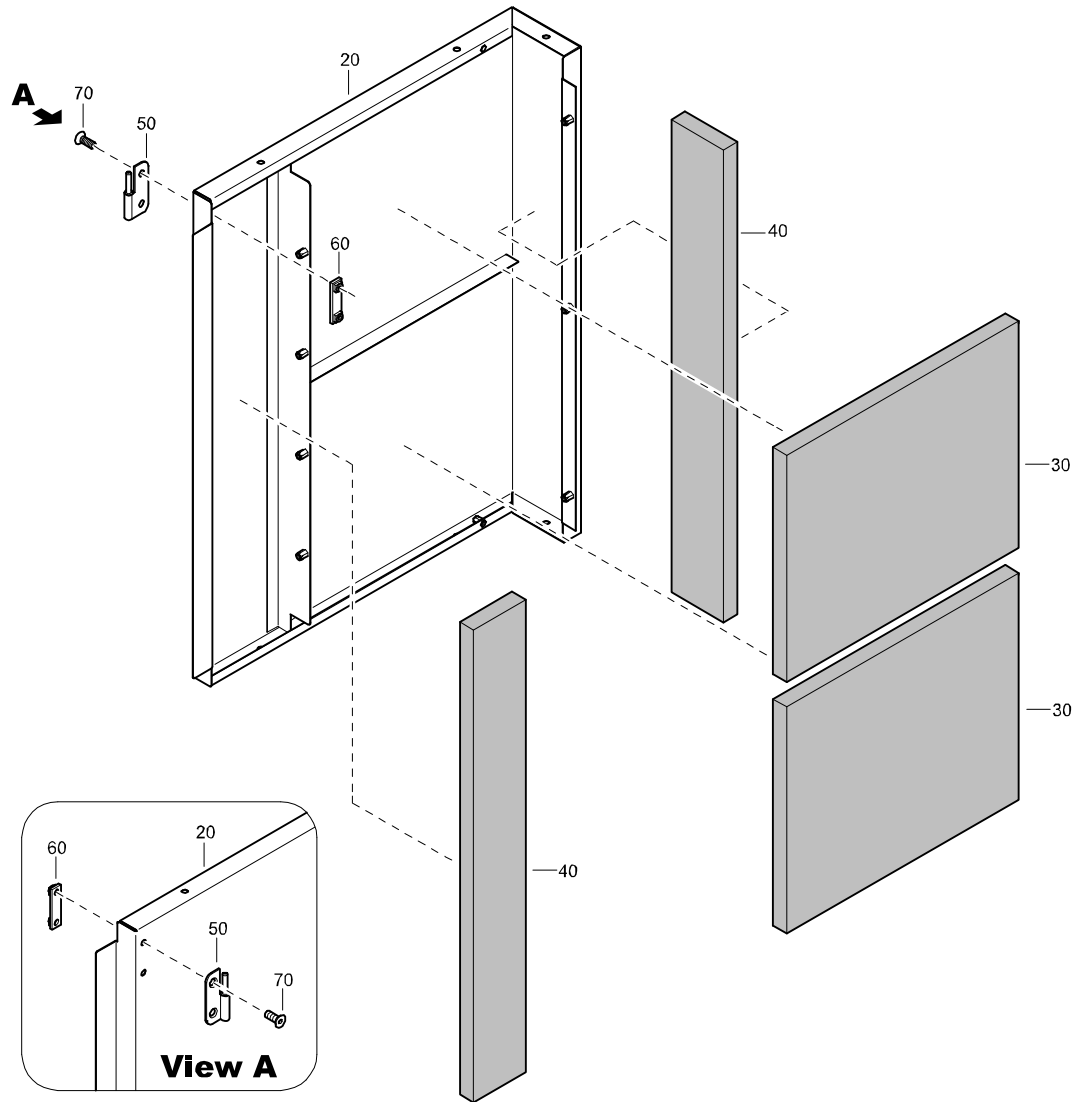
1310 4558 00

REAR PANEL ASSEMBLY - STANDARD



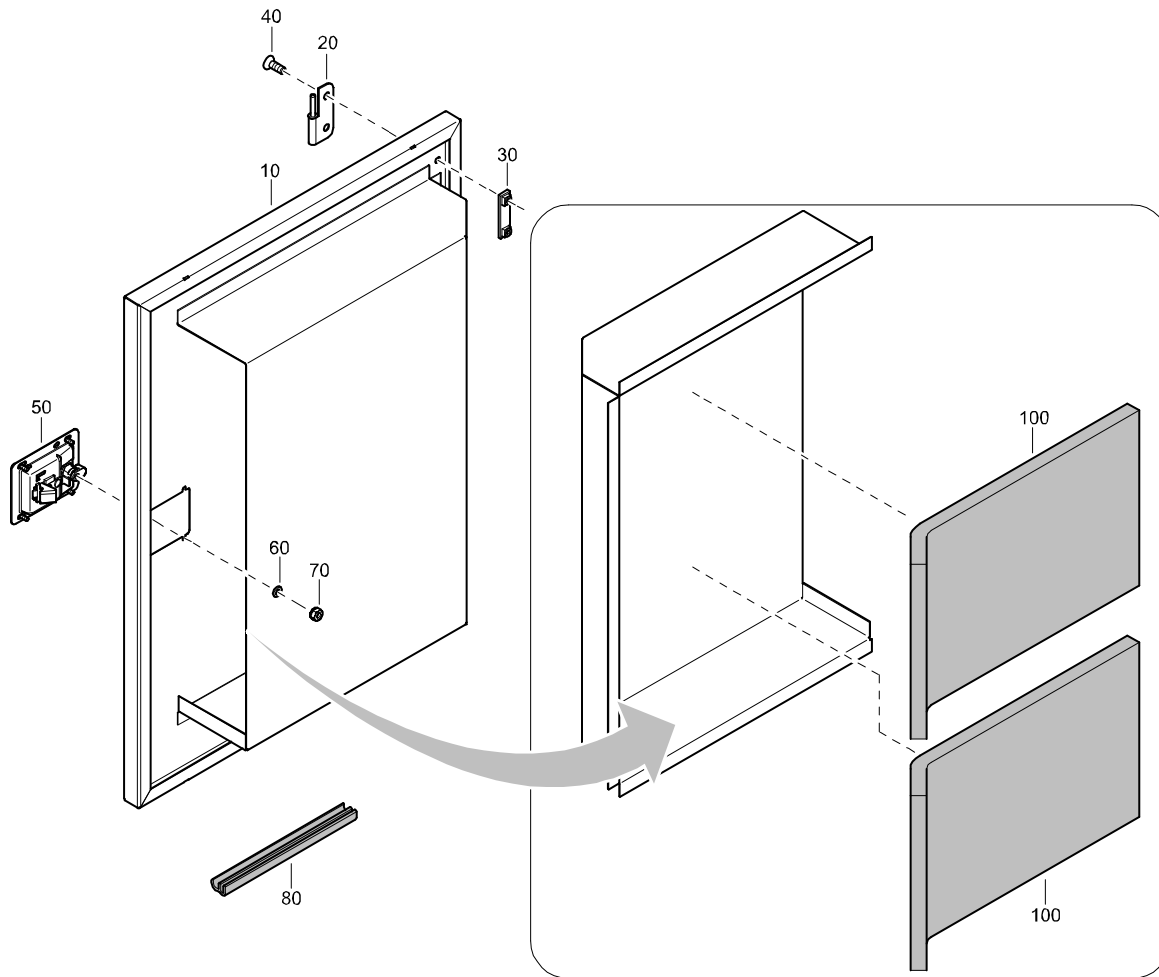
| REF | PART NUMBER | DESIGNATION | QTY |
|-----|--------------|--------------------------------|-----|
| - | 1310 4379 80 | PANEL-REAR ASSY (From page 34) | |
| 10 | 1310 4379 00 | PANEL-REAR | 1 |
| 20 | 1310 0370 19 | INSULATION | 2 |
| 30 | 1310 0370 20 | INSULATION | 1 |
| 40 | 1310 0370 21 | INSULATION | 1 |
| 50 | 1615 5686 01 | HINGE | 2 |
| 60 | 1615 5684 00 | BRACKET | 2 |
| 70 | 0216 1324 03 | SOC HD CAP SCREW | 4 |

FRONT CORNER ASSEMBLY - STANDARD



| REF | PART NUMBER | DESIGNATION | QTY |
|-----|--------------|-------------------------------|-----|
| - | 1310 4380 80 | CORNER FRONT R (From page 34) | |
| 20 | 1310 4380 00 | PANEL CORNER | 1 |
| 30 | 1310 0370 13 | INSULATION CORNER PANEL | 2 |
| 40 | 1310 0370 14 | INSULATION CORNER PANEL | 2 |
| 50 | 1615 5686 01 | HINGE | 2 |
| 60 | 1615 5684 00 | BRACKET | 2 |
| 70 | 0216 1324 03 | SOC HD CAP SCREW | 4 |

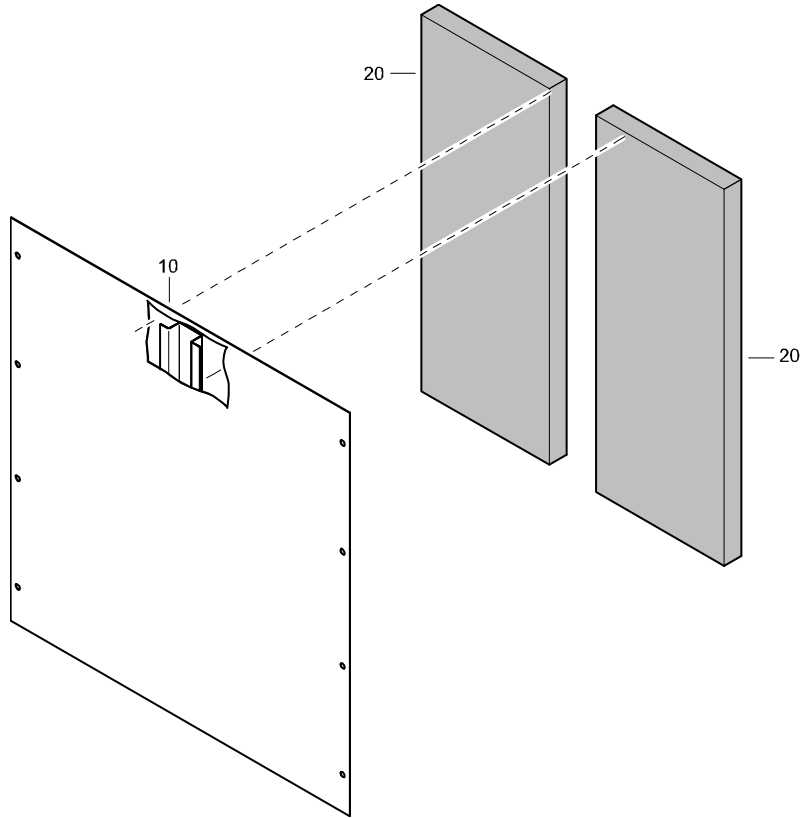
VENT FRONT DOOR - STANDARD



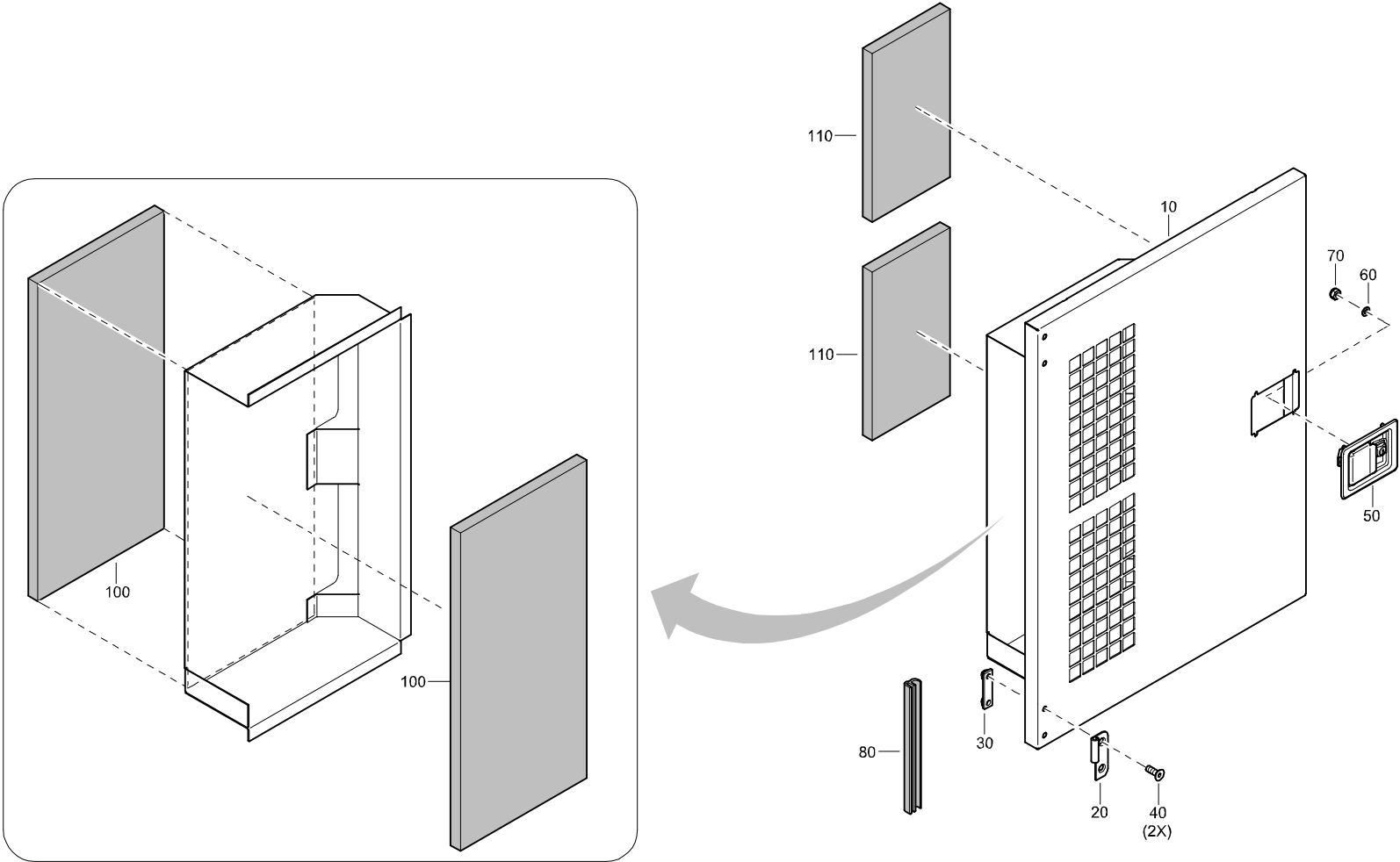
| REF | PART NUMBER | DESIGNATION | QTY |
|-----|--------------|--------------------------------|-----|
| - | 1310 4412 80 | DOOR VENT FRONT (From page 34) | |
| 10 | 1310 4412 00 | DOOR VENTS | 1 |
| 20 | 1615 5685 01 | HINGE | 2 |
| 30 | 1615 5684 00 | BRACKET | 2 |
| 40 | 0216 1324 03 | SOC HD CAP SCREW | 4 |
| 50 | 1615 6967 03 | HANDLE | 1 |
| 60 | 0301 2321 00 | FLAT WASHER | 4 |
| 70 | 0291 1108 00 | LOCKNUT | 4 |
| 80 | 1619 2665 00 | SEAL | AR |
| 100 | 1310 4412 61 | INSULATION DOOR | 1 |

REAR PANEL ASSEMBLY - STANDARD

| REF | PART NUMBER | DESIGNATION | QTY |
|-----|--------------|--------------------------------|-----|
| - | 1310 4528 80 | PANEL ASSY REAR (From page 34) | |
| 10 | 1310 4528 01 | PANEL REAR | 1 |
| 20 | 1310 4528 15 | FOAM REAR PANEL | 2 |



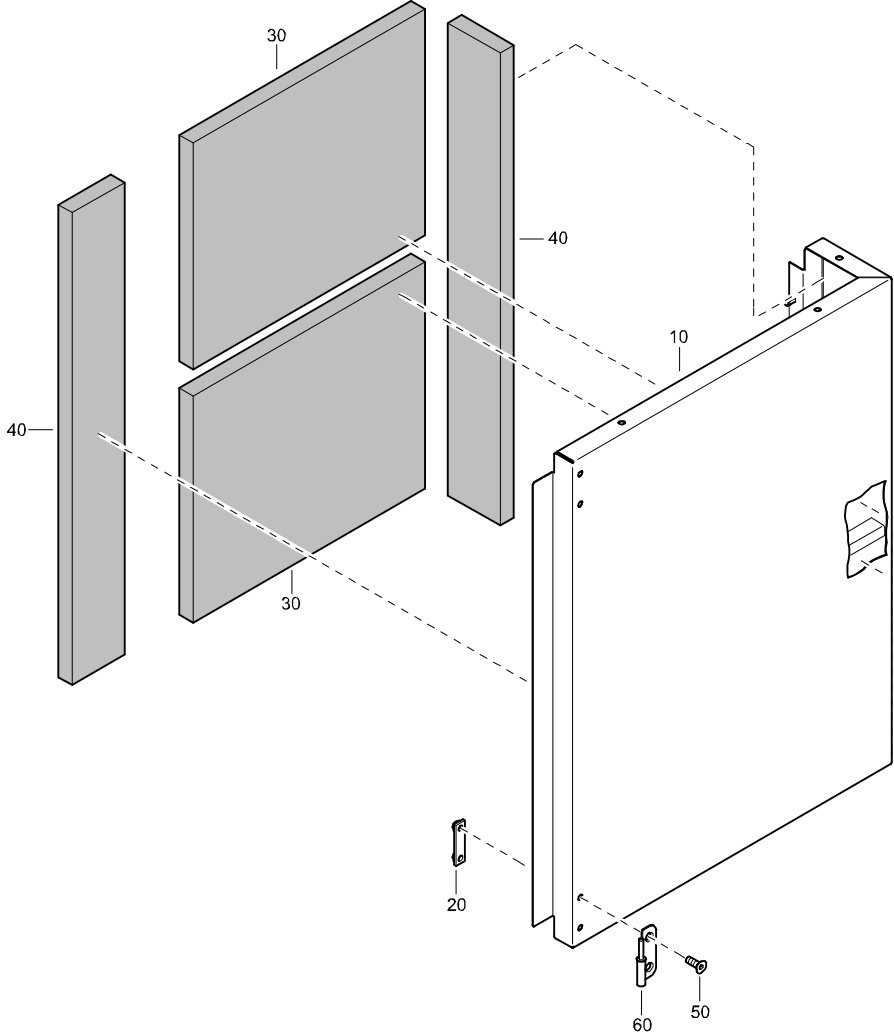
VENT REAR DOOR - STANDARD



VENT REAR DOOR - STANDARD

| REF | PART NUMBER | DESIGNATION | QTY | REF | PART NUMBER | DESIGNATION | QTY | REF | PART NUMBER | DESIGNATION | QTY |
|-----|--------------|------------------|----------------|-----|-------------|-------------|-----|-----|-------------|-------------|-----|
| - | 1310 4506 80 | DOOR VENT REAR | (From page 34) | | | | | | | | |
| 10 | 1310 4506 00 | DOOR | 1 | | | | | | | | |
| 20 | 1615 5685 01 | HINGE | 2 | | | | | | | | |
| 30 | 1615 5684 00 | BRACKET | 2 | | | | | | | | |
| 40 | 0216 1324 03 | SOC HD CAP SCREW | 4 | | | | | | | | |
| 50 | 1615 6967 03 | HANDLE | 1 | | | | | | | | |
| 60 | 0301 2321 00 | FLAT WASHER | 4 | | | | | | | | |
| 70 | 0291 1108 00 | LOCKNUT | 4 | | | | | | | | |
| 80 | 1619 2665 00 | SEAL | AR | | | | | | | | |
| 100 | 1310 4506 61 | INSULATION | 2 | | | | | | | | |
| 110 | 1310 4506 62 | INSULATION | 2 | | | | | | | | |

FRONT CORNER ASSEMBLY - STANDARD



| REF | PART NUMBER | DESIGNATION | QTY |
|-----|--------------|-----------------------------------------------|-----|
| - | 1310 4542 80 | CORNER FRONT L (From page 34) | |
| 10 | 1310 4380 00 | CORNER PANEL | 1 |
| 20 | 1615 5684 00 | BRACKET | 2 |
| 30 | 1310 0370 13 | INSULATION | 2 |
| 40 | 1310 0370 14 | INSULATION | 2 |
| 50 | 0216 1324 03 | SOC HD CAP SCREW | 4 |
| 60 | 1604 3430 00 | HINGE | 2 |

