



SPARE PARTS LIST

POWER CUTTERS

K6500 CHAIN, 2015-03



Go to Discount-Equipment.com to order your parts

PARTS FINDER

**Search Website
by Part Number**



**Search Manual
Library For Parts
Manual & Lookup Part
Numbers – Purchase
or Request Quote**

Search Manuals

Enter your information to help us find the right parts manual for your machine.

* Brand:

* Model:

* Serial:

* Part Number:

SEARCH

**Can't Find Part or
Manual? Request Help
by Manufacturer,
Model & Description**

Parts Order Form

Please fill in the following information to help us find the right part for your machine.

Manufacturer:	<input type="text"/>
Model:	<input type="text"/>
Description:	<input type="text"/>
Part Number:	<input type="text"/>
Quantity:	<input type="text"/>
Notes:	<input type="text"/>

REQUEST HELP

Discount-Equipment.com is your online resource for quality parts & equipment.

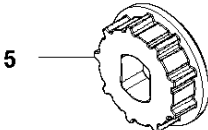
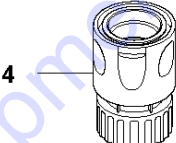
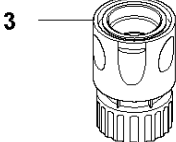
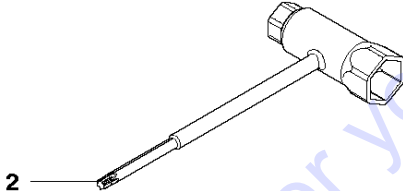
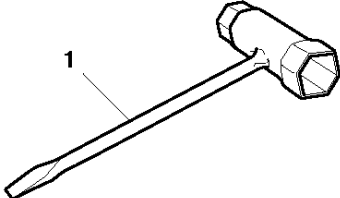
Florida: **561-964-4949** Outside Florida TOLL FREE: **877-690-3101**

Need parts?

Click on this link: <http://www.discount-equipment.com/category/5443-parts/> and choose one of the options to help get the right parts and equipment you are looking for. Please have the machine model and serial number available in order to help us get you the correct parts. If you don't find the part on the website or on one of the online manuals, please fill out the request form and one of our experienced staff members will get back to you with a quote for the right part that your machine needs.

We sell worldwide for the brands: Genie, Terex, JLG, MultiQuip, Mikasa, Essick, Whiteman, Mayco, Toro Stone, Diamond Products, Generac Magnum, Airman, Haulotte, Barreto, Power Blanket, Nifty Lift, Atlas Copco, Chicago Pneumatic, Allmand, Miller Curber, Skyjack, Lull, Skytrak, Tsurumi, Husquvarna Target, Stow, Wacker, Sakai, Mi-T-M, Sullair, Basic, Dynapac, MBW, Weber, Bartell, Bennar Newman, Haulotte, Ditch Runner, Menegotti, Morrison, Contec, Buddy, Crown, Edco, Wyco, Bomag, Laymor, EZ Trench, Bil-Jax, F.S. Curtis, Gehl Pavers, Heli, Honda, ICS/PowerGrit, IHI, Partner, Imer, Clipper, MMD, Koshin, Rice, CH&E, General Equipment, Amida, Coleman, NAC, Gradall, Square Shooter, Kent, Stanley, Tamco, Toku, Hatz, Kohler, Robin, Wisconsin, Northrock, Oztec, Toker TK, Rol-Air, APT, Wylie, Ingersoll Rand / Doosan, Innovatech, Con X, Ammann, Mecalac, Makinex, Smith Surface Prep, Small Line, Wanco, Yanmar

E K6500 Chain
ACCESSORIES



Go to Discount-Equipment.com to order your parts

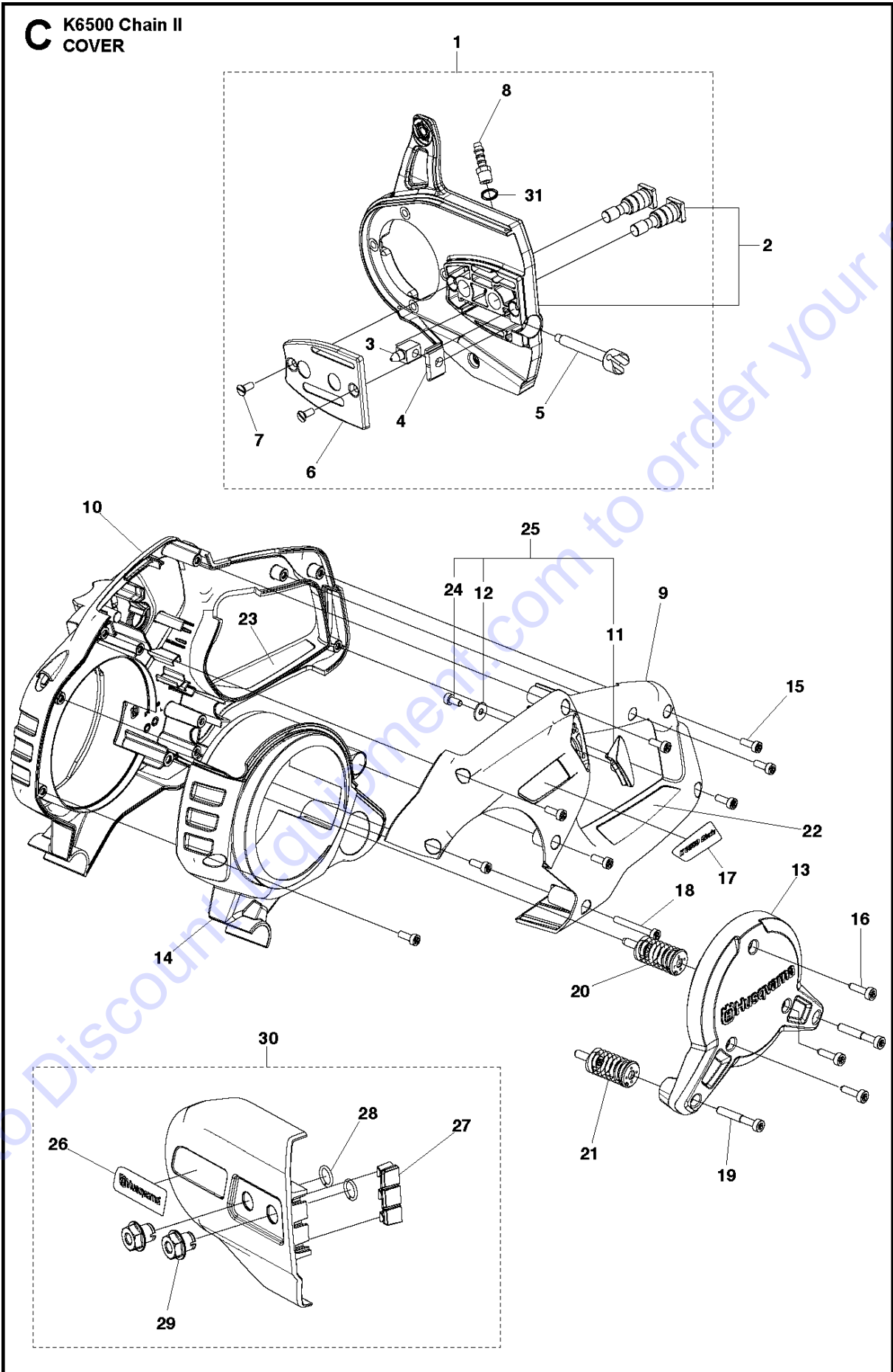
ACCESSORIES

K6500 CHAIN, 2015-03

Ref	Part No	Description	Remark	QTY KIT
1	501 69 17-02	COMBINATION WRENCH		1
2	506 38 26-01	TOOL		1
3	503 26 60-03	COUPLER		1
4	503 26 60-04	COUPLER		1
5	587 26 98-01	SPLINEWAY		1

Go to Discount-Equipment.com to order your parts

C K6500 Chain II
COVER



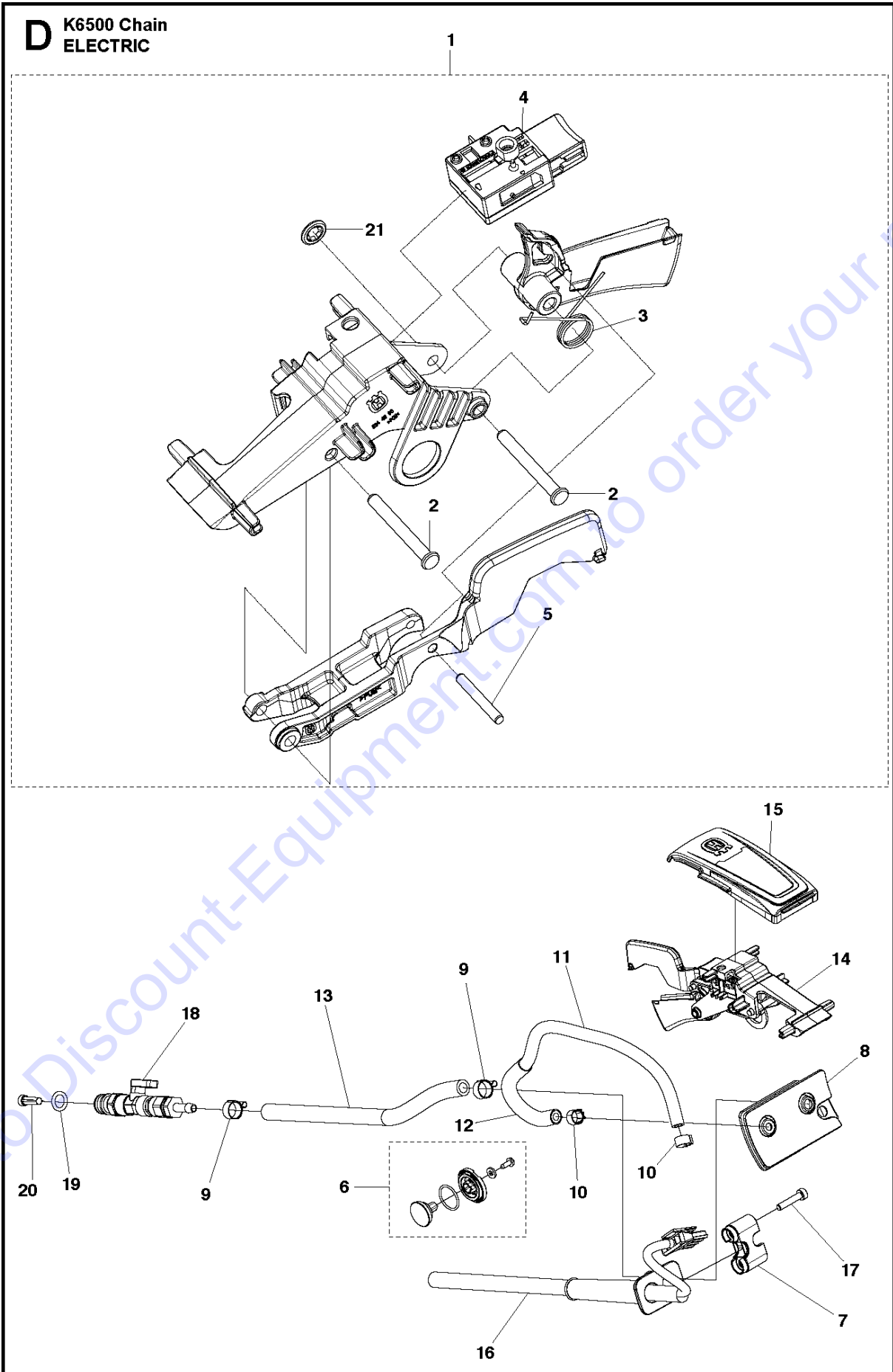
COVER

K6500 CHAIN, 2015-03

Ref	Part No	Description	Remark	QTY KIT	
1	588 57 62-01	BAR BRACKET		1	
2	588 68 71-01	BAR BOLT		1	1
3	587 08 82-01	PAWL		1	1
4	506 33 32-01	PLATE		1	1
5	587 08 57-01	SCREW		1	1
6	587 09 12-01	COVER PLATE		1	1
7	723 53 27-51	SCREW SLCSFM		2	1
8	586 99 21-02	HOSE NIPPLE		1	
9	574 84 50-02	HANDLE HALF		1	
10	587 76 40-02	HANDLE HALF		1	
11	587 12 37-01	PLUG		1	26
12	734 11 47-41	WASHER		1	26
13	529 29 12-01	MOTOR COVER		1	
14	529 27 95-02	MOTOR HOUSING		1	
15	504 90 94-14	SCREW ITXSCT		8	
16	503 21 53-26	SCREW ITXSCT		3	
17	575 62 84-03	DECAL		1	
18	504 90 94-40	SCREW ITXSCT		1	
19	544 21 84-40	SCREW ITXSCT		2	
20	537 21 03-04	ANTIVIBRATION ELEMENT		1	
21	537 21 03-11	ANTIVIBRATION ELEMENT		1	
22	581 16 60-01	DECAL		1	
23	581 16 61-01	DECAL		1	
24	504 90 94-10	SCREW ITXSCT		1	26
25	588 59 89-01	PLUG		1	
26	587 32 86-01	DECAL		1	31
27	587 09 83-01	WEAR PROTECTION		1	31
28	506 28 76-01	RETAINER RING		2	31
29	586 21 71-01	NUT		2	31
30	588 57 63-01	COVER		1	
31	740 42 06-00	O-RING		1	

Go to Discount-Equipment.com to order your parts

D K6500 Chain
ELECTRIC



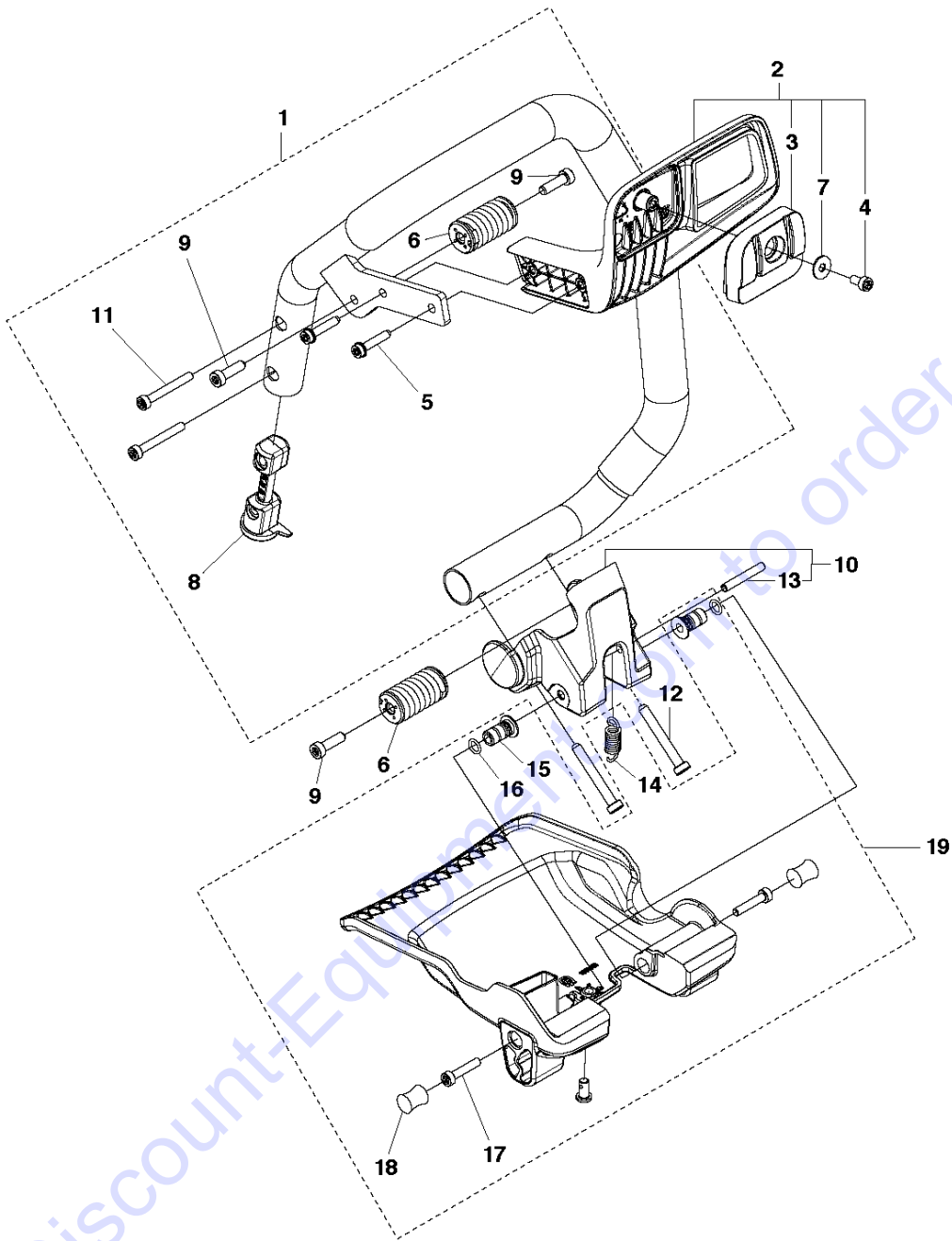
ELECTRICAL

K6500 CHAIN, 2015-03

Ref	Part No	Description	Remark	QTY	KIT
1	588 57 61-01	TRIGGER		1	
2	587 83 57-01	PARALLEL PIN		2	1
3	574 35 42-02	TORSION SPRING		1	1
4	587 22 23-01	TOGGLE SWITCH		1	1
5	720 12 76-06	PARALLEL PIN		1	1
6	585 43 90-02	SPINDLE		1	
7	525 32 28-01	CLIP		1	
8	575 29 54-01	GROMMET		1	
9	576 12 97-01	HOSE CLAMP		2	
10	506 49 87-01	HOSE CLAMP		2	
11	578 19 81-01	HOSE		1	
12	506 35 27-01	PROTECTIVE SPRING		1	
13	581 89 36-07	HOSE		1	
14	588 57 61-01	TRIGGER		1	
15	585 41 21-03	DISPLAY		1	
16	501 07 14-01	WIRING ASSY		1	
17	504 90 94-25	SCREW ITXSCT		1	
18	587 43 78-01	VALVE ASSY		1	
19	505 10 35-01	O-RING		1	
20	506 29 88-01	FILTER		1	
21	735 58 35-01	WASHER		1	

Go to Discount-Equipment.com to order your parts

B K6500 Chain
HANDLE



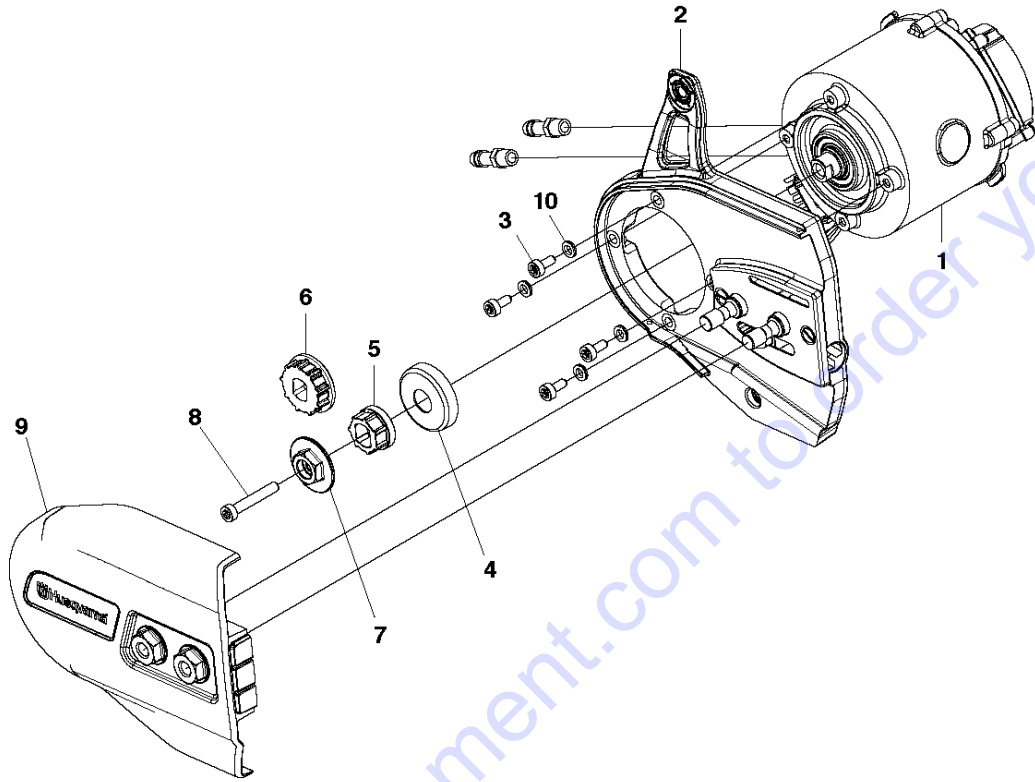
HANDLE

K6500 CHAIN, 2015-03

Ref	Part No	Description	Remark	QTY	KIT
1	588 57 65-01	FRONT HANDLE		1	
2	588 59 90-01	HAND GUARD		1	
3	587 12 39-01	BUMPER		1	2
4	504 90 94-10	SCREW ITXSCT		1	2
5	525 76 46-04	SCREW ITXSCT		2	1
6	575 41 22-01	ANTIVIBRATION ELEMENT		2	1
7	734 11 47-41	WASHER		1	2
8	575 29 58-01	PLUG		1	1
9	544 21 84-20	SCREW ITXSCM		3	1
10	588 59 91-01	BRACKET		1	
11	504 90 94-40	SCREW ITXSCT		2	1
12	503 21 54-45	SCREW ITXSCT		2	19
13	721 43 15-00	SPRING PIN		1	
14	506 33 95-01	DRAW SPRING		1	19
15	506 33 49-02	SPACING TUBE		2	19
16	740 42 05-00	O-RING		2	19
17	544 21 84-30	SCREW ITXSCM		2	19
18	506 34 90-01	SEALING		2	19
19	588 57 64-01	SPRAY GUARD		1	

Go to Discount-Equipment.com to order your parts

A K6500 Chain
MOTOR



Go to Discount-Equipment.com to order your parts

MOTOR

K6500 CHAIN, 2015-03

Ref	Part No	Description	Remark	QTY KIT
1	588 72 93-01	MOTOR		1
2	588 57 62-01	BAR BRACKET		1
3	503 21 53-12	SCREW ITXSCM		4
4	587 28 52-01	FLANGE		1
5	587 26 99-01	SPLINEWAY	7 splines	1
6	587 26 98-01	SPLINEWAY	9 splines	1
7	587 27 22-01	NUT WASHER		1
8	544 21 84-37	SCREW ITXSCM		1
9	588 57 63-01	COVER		1
10	503 23 04-02	WASHER		4

Go to Discount-Equipment.com to order your parts

PARTS FINDER

**Search Website
by Part Number**



**Search Manual
Library For Parts
Manual & Lookup Part
Numbers – Purchase
or Request Quote**

Search Manuals

Enter your information to help us find the right parts manual for your machine.

* Brand:

* Model:

* Serial:

* Part Number:

SEARCH

**Can't Find Part or
Manual? Request Help
by Manufacturer,
Model & Description**

Parts Order Form

Please fill in the following information to help us find the right part for your machine.

Manufacturer:	<input type="text"/>
Model:	<input type="text"/>
Description:	<input type="text"/>
Part Number:	<input type="text"/>
Quantity:	<input type="text"/>
Notes:	<input type="text"/>

Submit

Discount-Equipment.com is your online resource for quality parts & equipment.

Florida: **561-964-4949** Outside Florida TOLL FREE: **877-690-3101**

Need parts?

Click on this link: <http://www.discount-equipment.com/category/5443-parts/> and choose one of the options to help get the right parts and equipment you are looking for. Please have the machine model and serial number available in order to help us get you the correct parts. If you don't find the part on the website or on one of the online manuals, please fill out the request form and one of our experienced staff members will get back to you with a quote for the right part that your machine needs.

We sell worldwide for the brands: Genie, Terex, JLG, MultiQuip, Mikasa, Essick, Whiteman, Mayco, Toro Stone, Diamond Products, Generac Magnum, Airman, Haulotte, Barreto, Power Blanket, Nifty Lift, Atlas Copco, Chicago Pneumatic, Allmand, Miller Curber, Skyjack, Lull, Skytrak, Tsurumi, Husquvarna Target, Stow, Wacker, Sakai, Mi-T-M, Sullair, Basic, Dynapac, MBW, Weber, Bartell, Bennar Newman, Haulotte, Ditch Runner, Menegotti, Morrison, Contec, Buddy, Crown, Edco, Wyco, Bomag, Laymor, EZ Trench, Bil-Jax, F.S. Curtis, Gehl Pavers, Heli, Honda, ICS/PowerGrit, IHI, Partner, Imer, Clipper, MMD, Koshin, Rice, CH&E, General Equipment, Amida, Coleman, NAC, Gradall, Square Shooter, Kent, Stanley, Tamco, Toku, Hatz, Kohler, Robin, Wisconsin, Northrock, Oztec, Toker TK, Rol-Air, APT, Wylie, Ingersoll Rand / Doosan, Innovatech, Con X, Ammann, Mecalac, Makinex, Smith Surface Prep, Small Line, Wanco, Yanmar