



# Husqvarna®



PG 690, PG 690 RC, PG 830, PG 830 RC

EN	Operator's manual	2-49
DE	Bedienungsanweisung	50-99
FR	Manuel d'utilisation	100-149
NL	Gebbruksaanwijzing	150-197

**TO PURCHASE THIS PRODUCT PLEASE CONTACT US**



**Equipment Financing and  
Extended Warranties Available**



**Discount-Equipment.com is your online resource for  
commercial and industrial quality parts and equipment sales.**

**561-964-4949**

**visit us on line @ [www.discount-equipment.com](http://www.discount-equipment.com)**

Select an option below to find your Equipment

**Search by Manufacturer**

**Search by Product Type**

**Request a Quote**

We sell worldwide for the brands: Genie, Terex, JLG, MultiQuip, Mikasa, Essick, Whiteman, Mayco, Toro Stone, Diamond Products, Generac Magnum, Airman, Haulotte, Barreto, Power Blanket, Nifty Lift, Atlas Copco, Chicago Pneumatic, Allmand, Miller Curber, Skyjack, Lull, Skytrak, Tsurumi, Husquvarna Target, Stow, Wacker, Sakai, Mi-T-M, Sullair, Basic, Dynapac, MBW, Weber, Bartell, Bennar Newman, Haulotte, Ditch Runner, Menegotti, Morrison, Contec, Buddy, Crown, Edco, Wyco, Bomag, Laymor, EZ Trench, Bil-Jax, F.S. Curtis, Gehl Pavers, Heli, Honda, ICS/PowerGrit, IHI, Partner, Imer, Clipper, MMD, Koshin, Rice, CH&E, General Equipment, Amida, Coleman, NAC, Gradall, Square Shooter, Kent, Stanley, Tamco, Toku, Hatz, Kohler, Robin, Wisconsin, Northrock, Oztec, Toker TK, Rol-Air, APT, Wylie, Ingersoll Rand / Doosan, Innovatech, Con X, Ammann, Mecalac, Makinex, Smith Surface Prep, Small Line, Wanco, Yanmar

# Contents

Introduction.....	2	Troubleshooting.....	37
Safety.....	8	Transportation, storage and disposal.....	41
Operation.....	14	Technical data.....	45
Maintenance.....	32	EC Declaration of Conformity.....	48

## Introduction

### Product description

The product is a floor grinder for surfaces of different hardness.

The models PG 690 RC, PG 830 RC can be operated with a remote control.

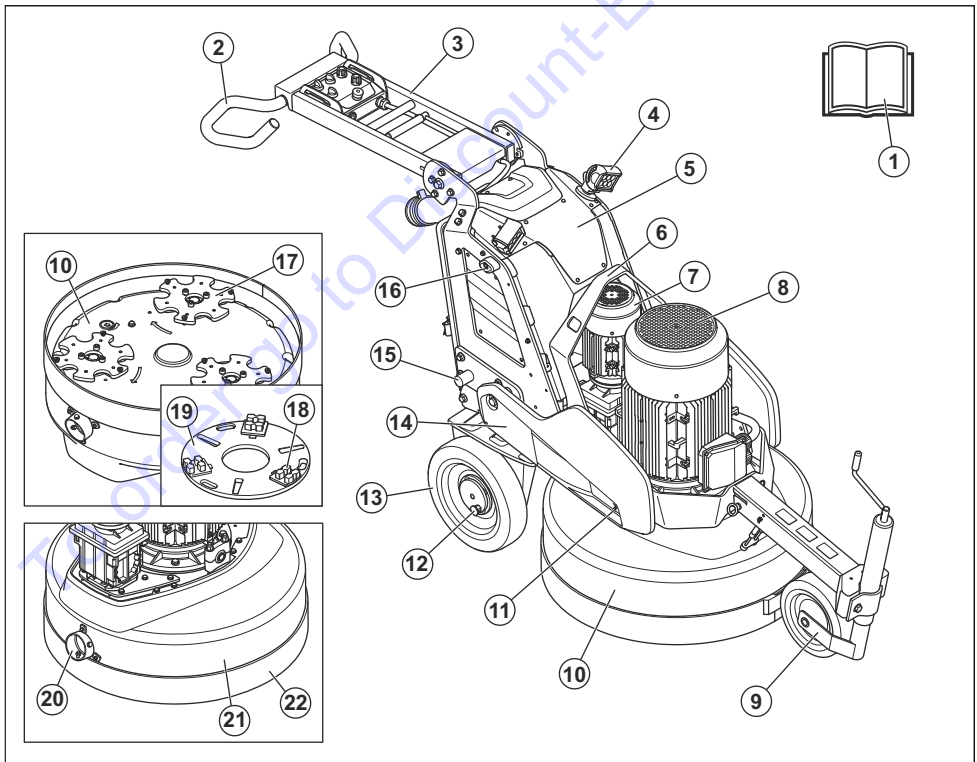
### Intended use

The product is used to grind surfaces of materials with different hardness such as natural stone, terazzo and

concrete. Also use the product to grind cover materials such as epoxy and glue. The finish of the surface can be rough or smooth. The product can be used for dry grinding and wet grinding. Do not use the product for other tasks.

The product is used in commercial operations by professional operators.

### Product overview, right side

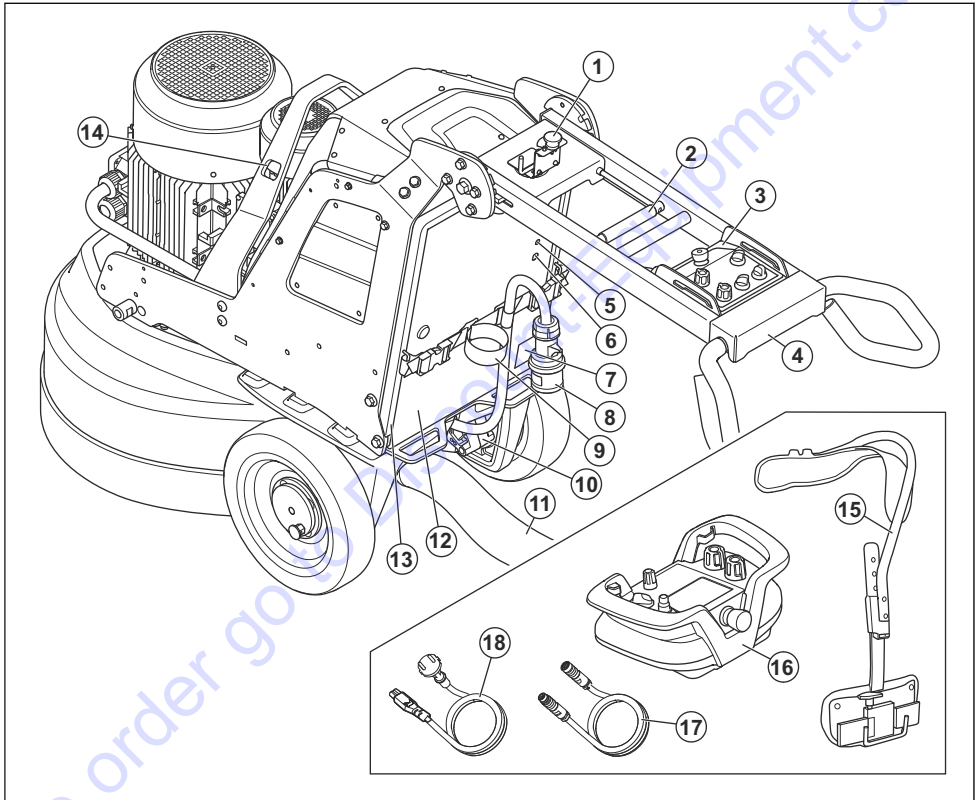


1. Operator's manual

2. Handlebar

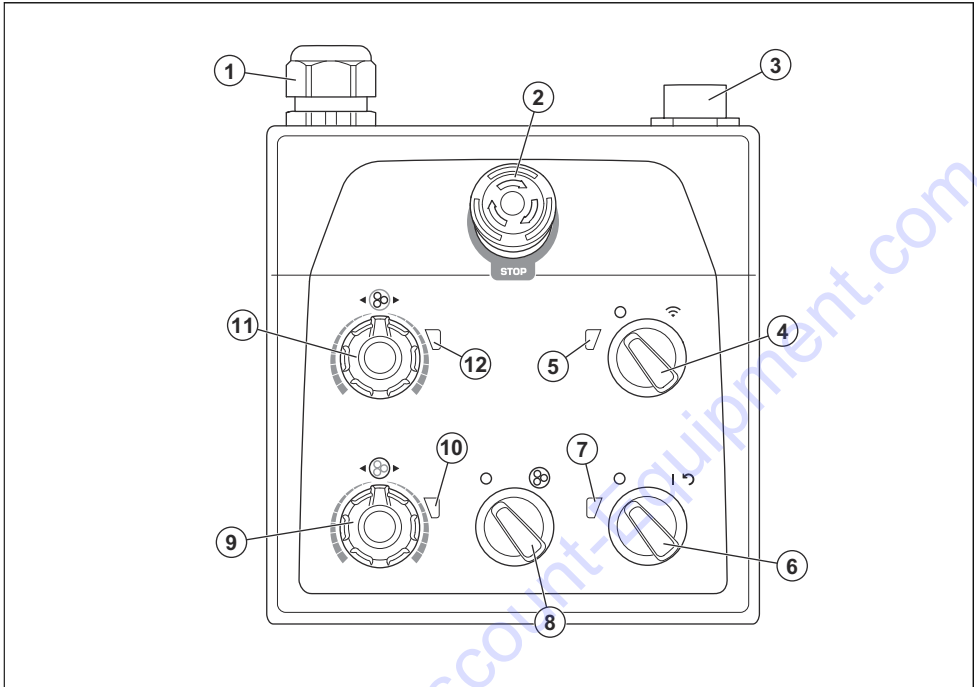
- |                           |                                   |
|---------------------------|-----------------------------------|
| 3. Handle                 | 13. Wheel                         |
| 4. Headlight (accessory)  | 14. Weights (accessory)           |
| 5. Electrical enclosure   | 15. Weight holder                 |
| 6. Lifting eye            | 16. Weight bracket                |
| 7. Grinding head motor    | 17. Grinding disc                 |
| 8. Grinding disc motor    | 18. Diamond tool (accessory)      |
| 9. Support wheel          | 19. Tool plate                    |
| 10. Grinding head         | 20. Connection for dust extractor |
| 11. Weight lock           | 21. Cover                         |
| 12. Locking pin for wheel | 22. Dust skirt                    |

## Product overview, left side



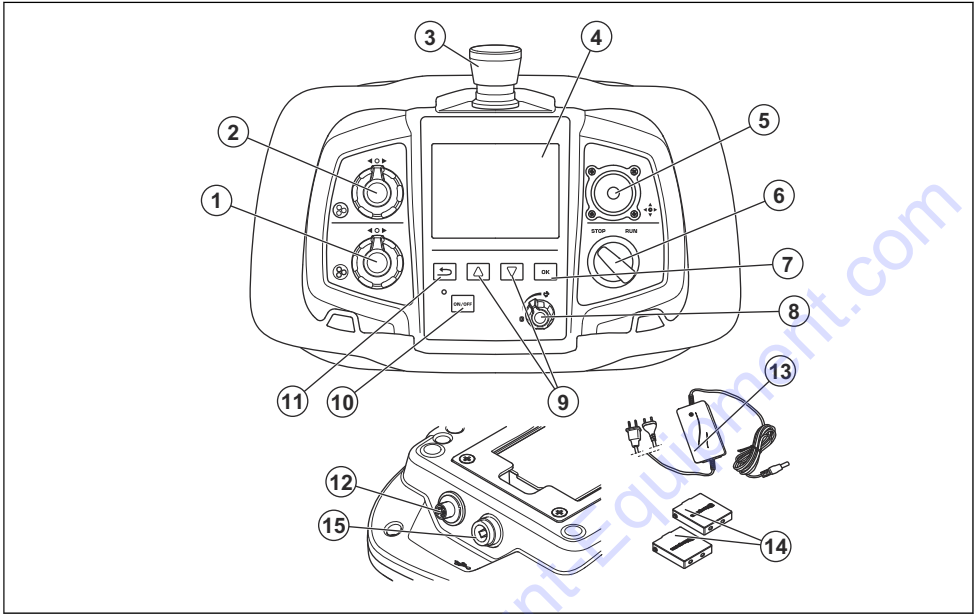
- |  |   |
|--|---|
| 1. PG 690 RC, PG 830 RC: Remote control holder           | 9. Suspension device for dust extractor hose and power cord |
| 2. Lock lever for handle adjustment                      | 10. Wheel motor   |
| 3. Control panel   | 11. Connection for dust extractor                           |
| 4. Screws for handlebar adjustment                       | 12. Door to electrical box                                  |
| 5. Battery charger connector                             | 13. Support frame   |
| 6. PG 690 RC, PG 830 RC: Connector for the CAN bus cable | 14. Holes for straps  |
| 7. Rating plate  | 15. PG 690 RC, PG 830 RC: Remote control harness            |
| 8. Power cord  | 16. PG 690 RC, PG 830 RC: Remote control                    |
|  | 17. 1-phase charge cable                                    |

## Control panel overview



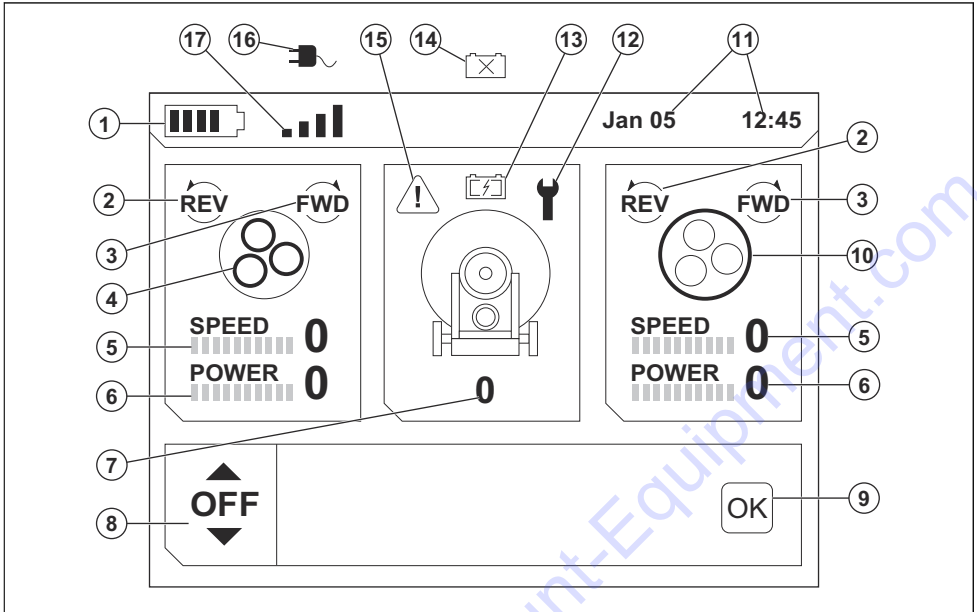
- |   |   |
|---|---|
| 1. Cable connection   | 8. STOP/RUN switch  |
| 2. Emergency stop button  | 9. Knob for direction of rotation and speed, grinding disc  |
| 3. USB charger  | 10. Indicator for grinding disc                             |
| 4. PG 690 RC, PG 830 RC: Switch for selection of remote control operation or manual operation | 11. Knob for direction of rotation and speed, grinding head |
| 5. PG 690 RC, PG 830 RC: Indicator for remote control mode                                    | 12. Indicator for grinding head                             |
| 6. ON/OFF switch  |   |
| 7. Indicator for power and state of charge of the product battery                             |   |

## Remote control overview (PG 690 RC, PG 830 RC)



1. Knob for direction of rotation and speed, grinding disc
2. Knob for direction of rotation and speed, grinding head
3. Emergency stop button
4. Display
5. Joystick
6. STOP/RUN switch, grinding head
7. OK button
8. Speed limit knob
9. Arrow keys to scroll in the menus
10. ON/OFF button
11. Button to go back in the menu structure
12. Connector for the CAN bus cable
13. Battery charger for remote control battery
14. Remote control battery
15. Charger port for battery charger

## Display overview



1. Battery level of the remote control
2. Counterclockwise direction of rotation on related grinding motor
3. Clockwise direction of rotation on related grinding motor
4. Grinding discs
5. Speed indication on related grinding motor
6. Load indication on related grinding motor
7. Product speed indication
8. Functions menu
9. OK button
10. Grinding head
11. Time and date
12. Servicing indication
13. Product battery indication: the battery charges
14. Product battery indication: the battery is missing or damaged
15. Warning indicator. Refer to *Error and warning messages on the remote control on page 39*.
16. The remote control is operated with a CAN bus cable connected
17. The remote control is operated by radio communication without a CAN bus cable connected

## Symbols on the product



**WARNING:** This product can be dangerous and cause serious injury or death to the operator or others. Be careful and use the product correctly.



Read the manual carefully and make sure that you understand the instructions before you use the product.



Use hearing protection, eye protection and respiratory protection. Refer to *Personal protective equipment on page 9*.



The dust can cause health problems. Use an approved respiratory protection. Always make sure that there is good airflow.



Always lift the product at the lifting eye.



Use the holes for tie-down straps to attach the product to a transport vehicle.



Double insulation, battery and battery charger.



Use and keep battery charger only indoors.



The product is not domestic waste. Recycle it at an approved disposal location for electrical and electronic equipment.



This product is in compliance with applicable EC directives.

**Note:** Other symbols/decals on the product refer to special certification requirements for some markets.

### Symbols on the control panel and the remote control



Emergency stop.



Remote control operation on.



Product on and reset the product.



Grinding head on.



Speed and direction of rotation, grinding head.



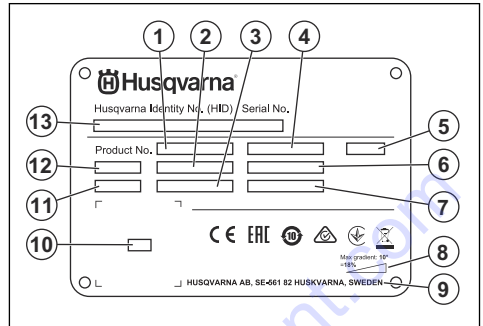
Speed and direction of rotation, grinding disc.



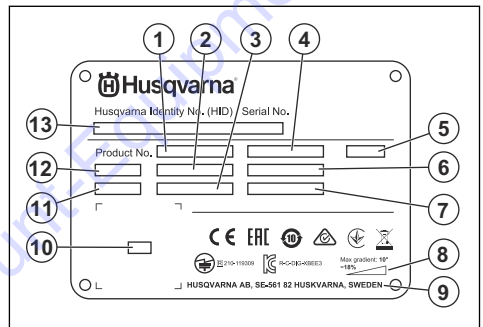
Maximum speed.

### Rating plate

PG 690, PG 830:



PG 690 RC, PG 830 RC:



1. Product number
2. Product weight
3. Rated power
4. Rated voltage
5. Enclosure
6. Rated current
7. Frequency
8. Maximum slope angle
9. Manufacturer
10. Scannable code
11. Production year
12. Model
13. Serial number

### Product liability

As referred to in the product liability laws, we are not liable for damages that our product causes if:

- the product is incorrectly repaired.
- the product is repaired with parts that are not from the manufacturer or not approved by the manufacturer.
- the product has an accessory that is not from the manufacturer or not approved by the manufacturer.



- the product is not repaired at an approved service center or by an approved authority.

## Husqvarna Fleet Services™

Husqvarna Fleet Services™ is a cloud solution that gives the operator an overview of all products that are connected. This product has a Husqvarna Fleet Services™ sensor with Bluetooth® Low Energy (BLE). The Husqvarna Fleet Services™ sensor collects product data and lets you connect to the Husqvarna Fleet Services™ system. The Husqvarna Fleet Services™ system reports data such as operation time, servicing intervals and location of the product. The BLE technology operates at 2.400–2.4835 GHz.

For more information about Husqvarna Fleet Services™, download the Husqvarna Fleet Services™ app or speak to Discount-equipment.

### Bluetooth® Low Energy (BLE) module

On approved markets the product has a BLE module that is connected with the Husqvarna Fleet Services™ system. The BLE module collects and transmits product data that is used in the Husqvarna Fleet Services™ system. Data such as operation time, servicing intervals and location of the product.

#### To setup embedded connectivity

1. Connect the product to a power source to put the BLE module in operation.
2. Add the product to your account. Use the Husqvarna Fleet Services™ app.
3. Obey the instructions in the Husqvarna Fleet Services™ app.

**Note:** The Fleet enabled mobile device must be near the product to connect.

**Note:** The Bluetooth® radio transmission enables on the first connection to the power source, and stays on after that.

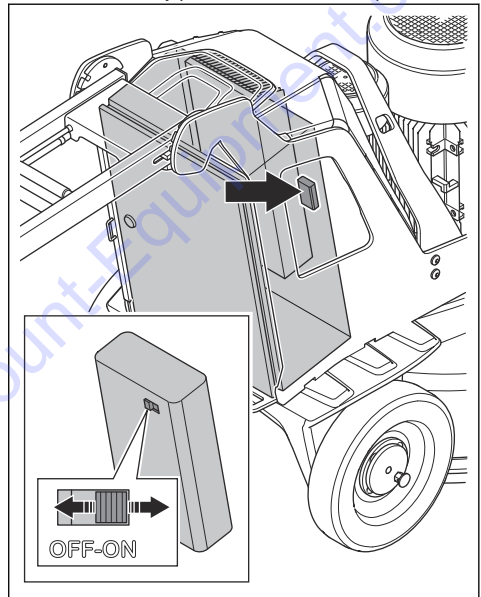


**WARNING:** High voltage. There are unprotected parts in the power unit. Always disconnect the power plug before you open the door to the electrical box.

#### To put the product into flight mode

When the product is in flight mode, the BLE module stops to transmit product data.

- Push the battery pack switch to the OFF position.



## Safety

### Safety definitions

Warnings, cautions and notes are used to point out specially important parts of the manual.



**WARNING:** Used if there is a risk of injury or death for the operator or bystanders if the instructions in the manual are not obeyed.



**CAUTION:** Used if there is a risk of damage to the product, other materials or the

adjacent area if the instructions in the manual are not obeyed.

**Note:** Used to give more information that is necessary in a given situation.

### General safety instructions



**WARNING:** Read the warning instructions that follow before you use the product.

- This product is a dangerous tool if you are not careful or if you use the product incorrectly. This product can cause serious injury or death to the operator or others. Before you use the product, you must read and understand the contents of this operator's manual.
- Save all warnings and instructions.
- Comply with all applicable laws and regulations.
- The operator and the employer of the operator must know and prevent the risks during operation of the product.
- Do not let a person operate the product unless they read and understand the contents of the operator's manual.
- Do not operate the product unless you receive training before use. Make sure that all operators receive training.
- Do not let a child operate the product.
- Only let approved persons operate the product.
- The operator is responsible for accidents that occur to other persons or their property.
- Do not use the product if you are tired, ill, or under the influence of alcohol, drugs or medicine.
- Always be careful and use your common sense.
- This product produces an electromagnetic field during operation. This field can under some circumstances interfere with active or passive medical implants. To decrease the risk of serious injury or death, we recommend persons with medical implants to speak to their physician and the medical implant manufacturer before operating this product.
- Keep the product clean. Make sure that you can clearly read signs and decals.
- Do not use the product if it is defective.
- Do not do modifications to this product.
- Do not operate the product if it is possible that other persons have done modifications to the product.
- Keep your feet away from the CAN bus cable and the power cord to decrease the risk of fall injury.
- Keep away from areas where the product can cause injury. The product can quickly change position and hit you.
- If the product does not operate correctly, stop the motors.
- Make sure that clothing, long hair and jewelry do not get caught in moving parts.
- Make sure that you are in a safe and stable position during operation.
- Do not operate the product unless you can get aid if an accident occurs.
- If vibrations occur in the product or the noise level from the product is unusually high, stop the product immediately. Examine the product for damages. Repair damages or let an approved service agent do the repair.
- Overexposure to vibration can cause circulatory damage or nerve damage to persons with decreased blood circulation. Get medical aid if you have symptoms of overexposure to vibration. These symptoms include numbness, loss of feeling, tingling, pricking, pain, loss of strength, changes in skin color or condition. These symptoms usually show in the fingers, hands or wrists.
- Do not park the product on a slope. If you must park the product on a slope, make sure that the product cannot move or fall. There is a risk of injury and damage.
- Be very careful during operation on slopes. The product is heavy and can cause serious injury if it falls.
- Do not move the product on steep slopes. Look at the rating plate on the product for information about the maximum slope angle.
- Always use approved accessories. Speak to your dealer for more information.

## Safety instructions for operation



**WARNING:** Read the warning instructions that follow before you use the product.

- Use personal protective equipment. Refer to *Personal protective equipment on page 9*.
- Do not go away from the product when the motor is on.
- Always disconnect the power cord before you go away from the product.
- Do not pull the hose of the dust extractor. The product can fall and cause injury or damage.
- The grinding head must touch the surface when you start the product. This is not applicable when you do a check of the ON/OFF switch.
- Do not start the product without the dust skirt installed. The dust skirt must seal fully between the product and the floor.



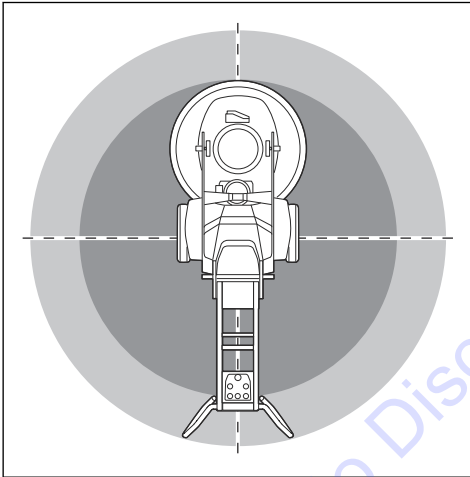
**WARNING:** Read the warning instructions that follow before you use the product.

- Always use correct personal protective equipment when you operate the product. The personal protective equipment does not erase the risk of injury. The personal protective equipment decreases the grade of injury if an accident occurs. Let your dealer help you select the right equipment.
- Use approved eye protection while you operate the product.
- Do not use loose, heavy and not applicable clothing. Use clothes that let you move freely.
- Use approved protective gloves that enables a solid hold.
- Use rubber protective gloves that prevents skin irritation from wet concrete.

- Use an approved protective helmet.
- Always use approved hearing protection while you operate the product. Noise for a long period can cause noise-induced hearing loss.
- The product makes dust and fumes that contain dangerous chemicals. Use an approved breathing protection.
- Use boots with steel toe-caps and non-slip soles.
- Make sure that you have a first aid kit near.
- Sparks can occur when you operate the product. Make sure that you have a fire extinguisher near.

### Work area safety

- During operation, keep bystanders away from the area shown in the illustration below. The operator must be very careful in this area during operation.



- Make sure that only approved persons are in the work area.
- Do not use the product in fog, rain, strong winds, cold weather, risk of lightning or other bad weather conditions. To use the product in bad weather or in wet locations can have a negative effect on your alertness. Bad weather can cause dangerous work conditions.
- Look out for persons, objects and situations that can prevent safe operation of the product.
- PG 690 RC, PG 830 RC: The product can be operated by a remote control for long distances. Do not operate the product unless you have clear view of the product and its risk area. Cordon off the work area to prevent injury to bystanders.
- Keep the work area sufficiently illuminated.
- Do not use the product in areas where fire or explosions can occur.

### Electrical safety



**WARNING:** There is always a risk of shocks from electrical products. Do not use the product in bad weather conditions. Do not touch lightning conductors and metal objects. Always use the product as given in this operator's manual to prevent injury.



**WARNING:** Always use a power supply with RCD (residual-current device). An RCD decreases the risk of electrical shock.



**WARNING:** High voltage. There are unprotected parts in the power unit. Always disconnect the power plug before you open the door to the electrical box.



**CAUTION:** The power supply from the product or generator must be sufficient and constant to make sure that the motor operates without problems. Incorrect voltage causes the power consumption and the temperature of the motor to increase until the safety circuit releases. The dimension of the power cord must agree with national and local regulations. The dimension of the mains socket must agree with the amperage for the electrical socket and extension cable of the product.

If the power mains has higher system resistance, short voltage drop can occur when the product is started. This can influence the operation of other products, for example flicker on the lights.

- Make sure that the power, fuse and mains voltage are the same as the voltage shown on the rating plate of the product.
- Always stop the product before you disconnect the power plug.
- Do not use the product if the power cord or power plug is damaged. Hand it in to an approved service center for repair. A damaged power cord can cause serious injury and death.
- Use the power cord correctly. Do not use the power cord to move, pull or disconnect the product. Pull the power plug to disconnect the power cord. Do not pull the power cord.
- Do not operate the product in water depths where the equipment of the product gets wet. The equipment can become damaged and the product can become live and cause injury.
- Do not get more moisture into the product than the water supplied by the water system. Keep the product away from rain. Water that goes into the product increases the risk of electrical shock.

- Always disconnect the power cord before you connect or disconnect the connection for the motor cable and the electrical enclosure.

### Guide values for power source

Nominal voltage from power source, V	Min. voltage at the product, V	Max. voltage at the product, V	Frequency, Hz	Nominal current, A	Motor output	Min. cable area mm <sup>2</sup> /AWG	Max. cable length m/ft
PG 690 3x220	200	240	50/60	50	11+1.5	10/7	190/620
PG 690 3x400/440/ 480	380	480	50/60	30	11+1.5	6/9	190/620
PG 830 3x220	200	240	50/60	50	11+1.5	10/7	190/620
PG 830 3x400/440/ 480	380	480	50/60	30	15+1.5	6/9	190/620

### Grounded product instructions



**WARNING:** Incorrect connection can result in electrical shock. Speak to an approved electrician if you are not sure if the product is correctly grounded.

Do not do modifications to the power plug from its factory specification. If the power plug is not correct for the mains outlet, let an approved electrician install a correct mains outlet. Obey local regulations and laws.

If you do not fully understand the instructions about the grounded product, speak to an approved electrician.

- Keep the connection to the extension cable dry and off the ground.
- Keep the extension cable away from heat, oil, sharp edges or moving parts. A damaged cable increases the risk of electrical shock.
- Make sure that the extension cable is in good condition and not damaged.
- Do not use the extension cable while it is wound up. This can cause the extension cable to become too hot.
- Make sure that the extension cable is behind you and the product when you use the product. This prevents damage to the extension cable.

The product has a grounded power cord and power plug. Always connect the product to a grounded mains outlet. This decreases the risk of electrical shock if there is a malfunction.

Do not use electrical adapters with the product.

### Extension cables

- Use only approved extension cables with sufficient length.
- The rated value on the extension cable must be the same or higher than given on the rating plate of the product.
- Use grounded extension cables.
- When you operate the product outdoors, use an extension cable that is applicable for outdoor operation. This decreases the risk of electrical shock.

### Battery safety



**WARNING:** Read the warning instructions that follow before you use the product.

- Only use the batteries that we recommend for your product. The batteries are software encrypted.
- Use only original batteries for this product. There is a risk of explosion if the batteries are replaced with a battery of incorrect type. Speak to your dealer for more information.
- Use batteries that are rechargeable as a power supply for the related Husqvarna products only. To prevent injury, do not use the battery as a power supply for other devices.
- Risk of electrical shock. Do not connect the battery terminals to keys, screws or other metal. This can cause a short circuit of the battery.
- If the battery leaks, do not let the liquid touch your body or eyes. If you have touched the liquid, clean

the area with a large quantity of water and get medical aid.

- Do not use batteries that are non-rechargeable.
- Do not do modifications to the battery.
- Do not put objects into the air slots of the battery.
- Keep the battery away from sunlight, heat or open flame. The battery can cause an explosion and cause burns and/or chemical burns.
- Keep the battery away from rain and wet conditions.
- Keep the battery away from microwaves and high pressure.
- Do not try to disassemble or break the battery.
- Use the battery in temperatures between -10 °C/14 °F and 40 °C/104 °F.
- Do not clean the battery or the battery charger with water. Refer to *To clean the battery and the battery charger on page 33.*
- Do not use a defective or damaged battery.
- Keep batteries in storage away from metal objects such as nails, screws or jewelry.
- Keep the battery away from children.

### Safety devices on the product

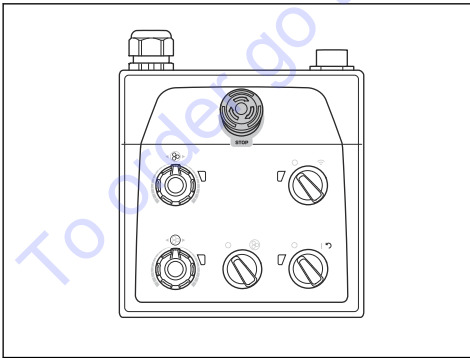


**WARNING:** Read the warning instructions that follow before you use the product.

- Do not use a product with defective safety devices.
- Do a check of the safety devices regularly. If the safety devices are defective, speak to Discount-equipment.

### Emergency stop button on the control panel

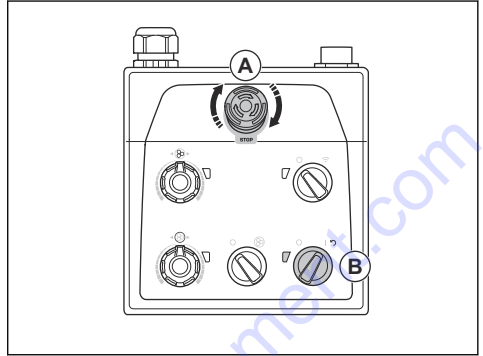
The emergency stop button is used to quickly stop the motor. The emergency stop button breaks the mains power supply.



**CAUTION:** Do not use the emergency stop button on the control panel as the stop button for the product.

### To do a check of the emergency stop button on the control panel

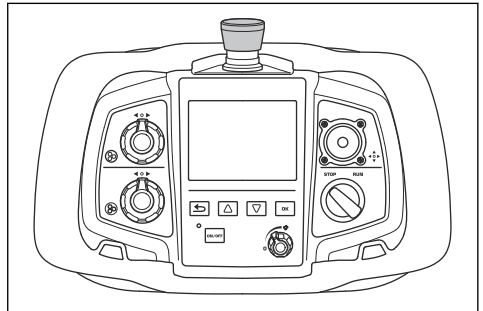
1. Turn the emergency stop button (A) on the control panel clockwise to make sure that the emergency stop button is disengaged.



2. Turn the ON/OFF switch (B) on the control panel to 1 to start the motor. The LED adjacent to the ON/OFF switch comes on.
3. Push the emergency stop button on the control panel.
4. Make sure that LED adjacent to the ON/OFF switch goes off.
5. Turn the emergency stop button on the control panel clockwise to disengage.

### Emergency stop button on the remote control

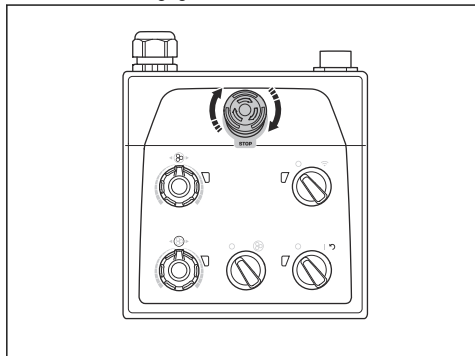
The emergency stop button is used to quickly stop the motor. The emergency stop button breaks the mains power supply. The emergency stop button on the remote control cannot be used when the product is operated manually.



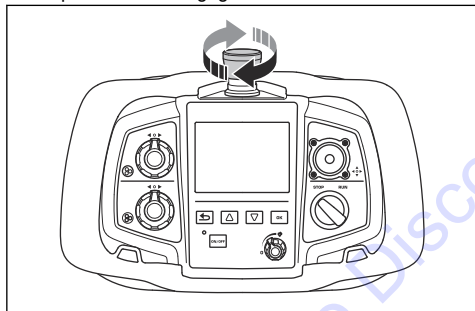
**CAUTION:** Do not use the emergency stop button on the remote control as the stop button for the product.

### To do a check of the of the emergency stop button on the remote control

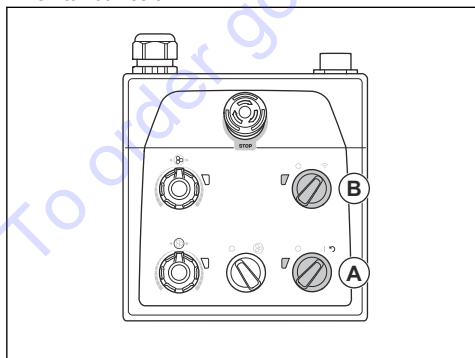
1. Turn the emergency stop button on the control panel clockwise to make sure that the emergency stop button is disengaged.



2. Turn the emergency stop button on the remote control clockwise to make sure that the emergency stop button is disengaged.

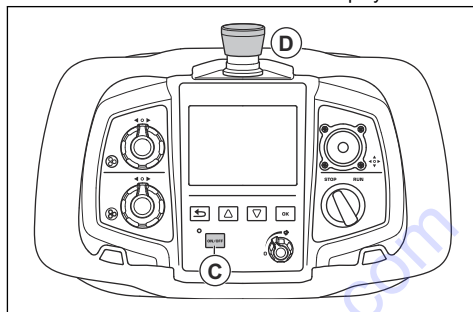


3. Turn the ON/OFF switch (A) on the control panel to start the motor. The LED adjacent to the ON/OFF switch comes on.



4. Turn the remote control/manual operation switch (B) on the control panel clockwise for remote control operation. The LED adjacent to the remote control/manual operation switch flashes.

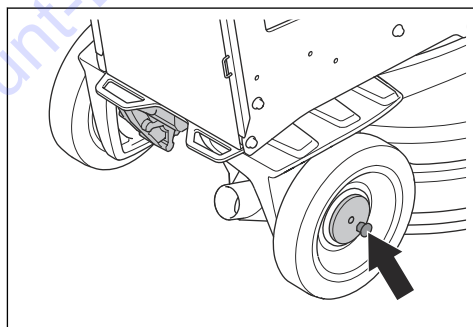
5. Push the ON/OFF button (C) on the remote control. The remote control is on when the display comes on.



6. Push the emergency stop button (D) on the remote control.
7. Make sure that LED adjacent to the ON/OFF switch on the control panel goes off.
8. Turn the emergency stop button on the remote control clockwise to disengage.

### Locking pins for the wheels

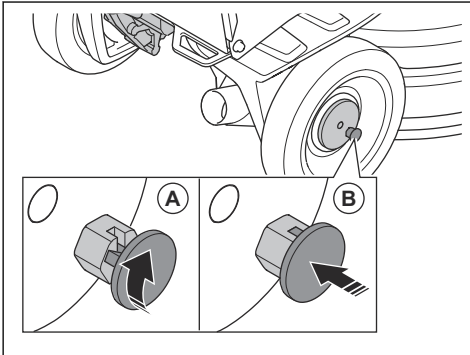
The locking pins lock the wheels to the motor when the product is operated with the remote control.



### To do a check of the locking pins for the wheels

1. Make sure that the locking pins are not engaged.
2. Push the product slightly forward and feel the resistance.

- Turn the locking pins (A) until the pin of the locking pin aligns with the notch. Do this on the left and the right wheel.



- Start the product. The locking pins go into the lock position (B) and lock the wheel motors.
- Push the product slightly forward and feel the resistance. If the locking pins are correctly engaged, there is more resistance than when the locking pins are not engaged.

**Note:** For remote control operation, an error message shows in the remote control display if the locking pins are not engaged correctly.

- To disengage the locking pins, pull the locking pins straight out and turn clockwise or counterclockwise.

## Safety instructions for maintenance

- Keep all parts in good condition and make sure that all fixtures are correctly tightened.
- Do not use a product that is defective. Do the safety checks, maintenance and the servicing as given in this manual. All other maintenance work must be done by an approved service agent.
- Stop the product when you replace the diamond tools. Turn the ON/OFF switch to 0 and push the emergency stop button.
- Do the inspection and/or maintenance with the motor stopped and the power plug disconnected.
- Do the maintenance to make sure that the product operates correctly. Refer to *Maintenance schedule on page 32*.

## Operation

### Introduction



**WARNING:** Before you operate the product, you must read and understand the safety chapter.

### To remove the product from the package



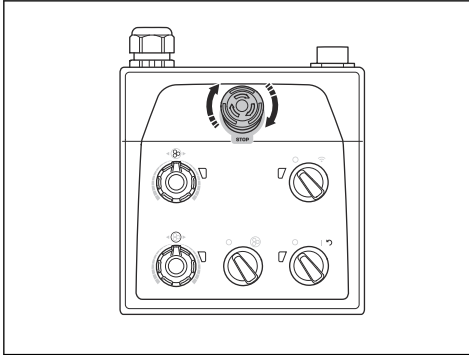
**WARNING:** Move the product from the pallet carefully and safely. The product is heavy and can cause serious injury if it falls.

- Make sure that all items that is shown in the product overview, are included. Refer to *Product overview, right side on page 2*. Speak to Discount-equipment if an item is missing or damaged before you move the product from the pallet.
- Remove all package straps and wheel chocks.
- Make sure that the area is clear and that you have sufficient space to move the product.
- Make sure that there is no risk that you or the product can fall.
- Use lifting equipment or ramps to move the product from the pallet. The product is heavy. Move the product safely. Refer to *To lift the product on page 43*.

### To do before you operate the product

- Read the operator's manual carefully and make sure that you understand the instructions.
- Put on necessary personal protective equipment. Refer to *Personal protective equipment on page 9*.
- Make sure that only approved persons are in the work area.
- Do daily maintenance. Refer to *Maintenance schedule on page 32*.
- Make sure that the product is assembled correctly and is not damaged.
- Put the product on the work area. Make sure that the transportation of the product to and in the work area is done safely and correctly. Refer to *Transportation on page 41*.
- Make sure that there are diamond tools on the tool plates and that the diamond tools and tool plates are tightly attached.
- Connect a dust extractor to the product. Refer to *To connect a dust extractor on page 17*.
- Adjust the handle and the handlebar to an applicable operation height. Refer to *To adjust the handle and the handlebar on page 18*.
- Make sure that the motor cables are connected to the electrical enclosure before the product is connected to a mains outlet. Refer to *To install and remove the grinding head on page 35*.

11. Connect the product to a power source. Refer to *To connect the product to a power source on page 19*.
12. Turn the emergency stop button on the control panel clockwise to make sure that the emergency stop button is disengaged.



13. Make sure that you know the direction of rotation of the grinding head and the grinding discs when you use direction diamond tools such as Piranhas.
14. PG 690 RC, PG 830 RC: If the product is operated manually, attach the remote control to the product. The rear side of the remote control holder has a magnet. Refer to *To attach the remote control to the remote control holder on page 21*.
15. Put the support wheel in operation position. Refer to *To set the support wheel in operation position on page 42*.

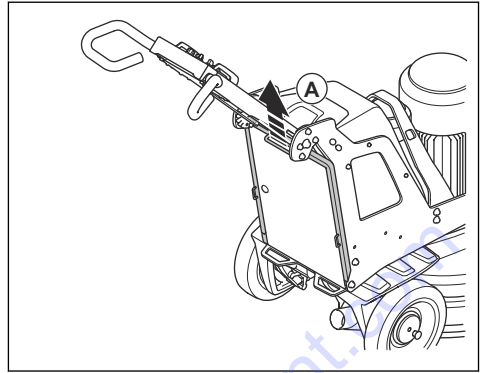
## To engage and disengage the support frame

The product has a support frame that is used to tilt the product rearward. Also, the support frame is used as a suspension device to hang the dust extractor hose and the power cord on.

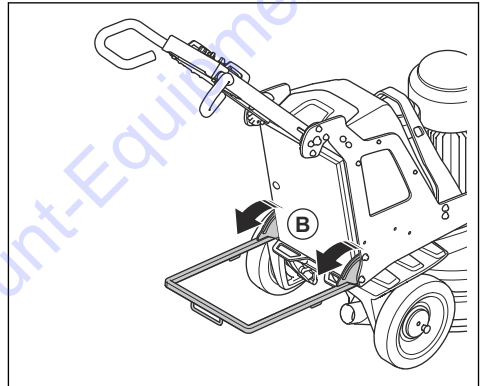


**WARNING:** Be careful when you move the support frame. The moving parts can cause injury.

1. Lift the support frame (A) a small distance.



2. Lower the support frame (B).



3. Fold up the support frame in the opposite sequence.

## Diamond tools

There are many different types and configurations of diamond tools for the product. Metal bonded diamond tools are used for removal of material and resin bonded diamond tools are used to polish surfaces. Select the correct diamond tools for the surface. Speak to Discount-equipment for support to select the correct tool.

### Disc holder alternatives for diamond tools

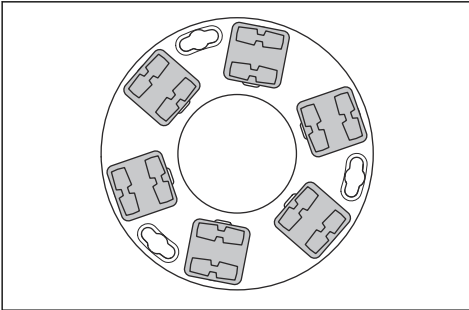
- Use a Redi lock disc holder to attach metal bonded diamond tools.
- Use a resin disc holder to attach plastic bonded diamond tools.

### Full set and half set of diamond tools

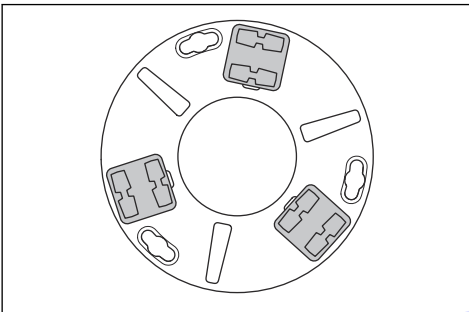
The configuration of the diamond tool segments has an effect on the end quality of the surface. The configuration also has an effect on the operation rate of the product.



- Full set of diamond tools: This configuration is applicable for a flat floor finish.



- Half set of diamond tools: This configuration is applicable when a flat floor finish is not necessary.



### To replace the diamond tools



**WARNING:** Always disconnect the power plug before you replace the diamond tools, to prevent accidental start.



**WARNING:** Use protective gloves, as diamond tools can become very hot.



**WARNING:** Use approved respiratory protection when you replace the diamond tools. The dust below the grinding head is dangerous to your health.

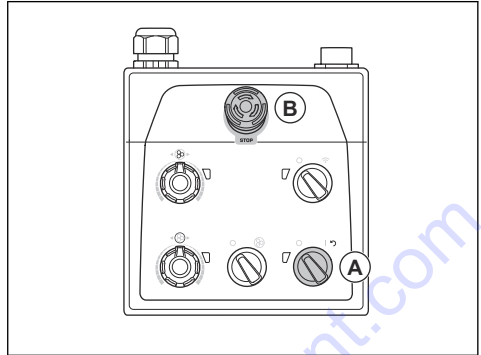


**WARNING:** Use the dust extractor when you replace the diamond tools. The dust extractor will decrease the dust that can cause health problems.

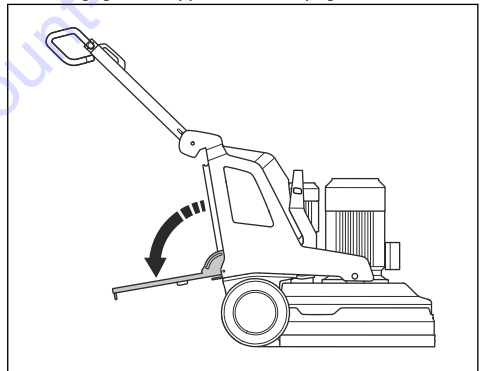


**CAUTION:** All the grinding discs must always have the same number and type of diamonds. The height of the diamonds must be the same on all grinding discs.

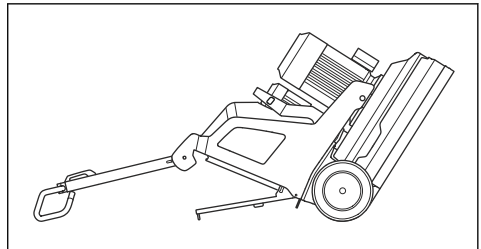
1. Turn the ON/OFF switch (A) on the control panel to 0. The LED adjacent to the ON/OFF switch goes off.



2. Push the emergency stop button (B) on the control panel.
3. Set the handle in servicing position. Refer to *Operation handle positions on page 18*.
4. If weights are installed, adjust the weights to a rearward position. Refer to *To adjust the weights on page 32*.
5. Engage the support frame. Refer to *To engage and disengage the support frame on page 15*.



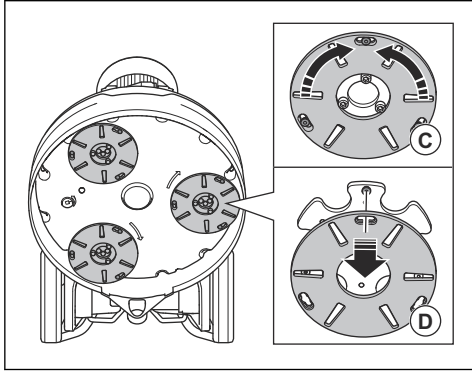
6. Hold the handlebar and with one foot on the support frame tilt the product rearward. Tilt the product until the handlebar is on the floor.



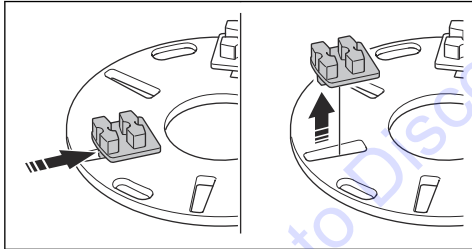


**WARNING:** Make sure that the product is in a stable position before you replace the diamond tools.

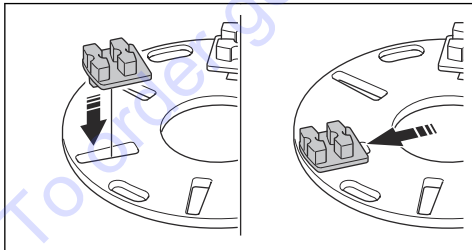
- Put on protective gloves.
- Turn the tool plate (C) to the right or to the left to unlock the tool plate from the grinding disc.



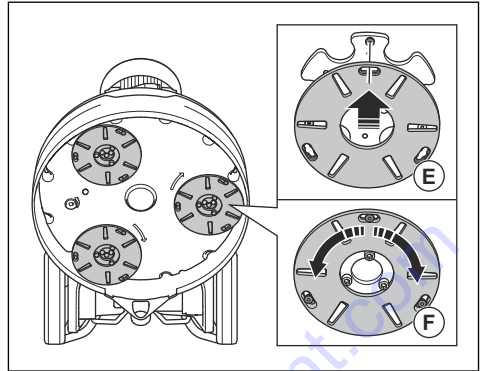
- Pull the tool plate straight out (D) to remove the tool plate from the grinding disc.
- Use a hammer to remove the diamond tools from the tool plate.



- Attach new diamond tools to the tool plate with a soft hit of the hammer.



- Attach the tool plate straight (E) on the grinding disc.



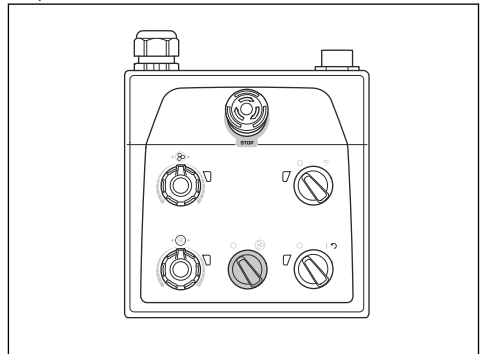
- Turn the tool plate (F) to the right or to the left to lock the tool plate to the grinding disc.
- Carefully lift the product to operation position. Use the handlebar and the support frame for support.
- Disengage the support frame.

## To connect a dust extractor



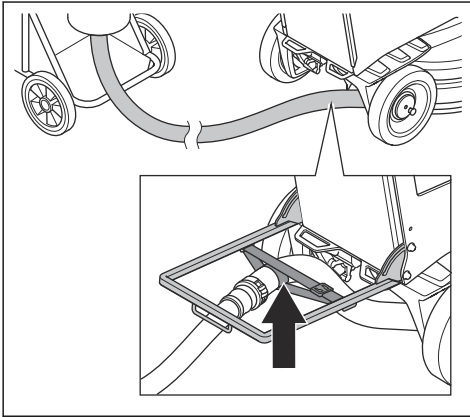
**WARNING:** Do not use the dust extractor if the dust extractor hose is damaged. The risk increases that you breathe in dust that is dangerous to your health. Use approved respiratory protection.

- Examine the dust extractor hose for damages.
- Make sure that the filters in the dust extractor are clean and not damaged.
- Make sure that the STOP/RUN switch on the control panel is set to 0.



- Connect the dust extractor hose to the product.
- Engage the support frame. Refer to *To engage and disengage the support frame* on page 15.

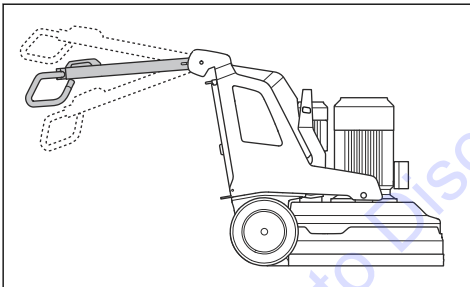
6. Hang the dust extractor hose on the suspension device on the support frame to prevent tension in the dust extractor hose.



7. Disengage the support frame.

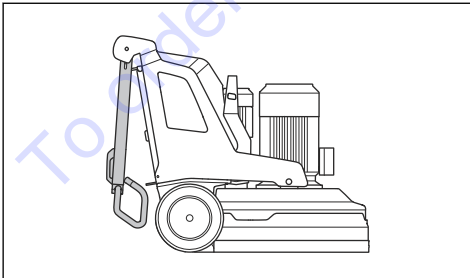
## Operation handle positions

- Position of the handle for manual operation:

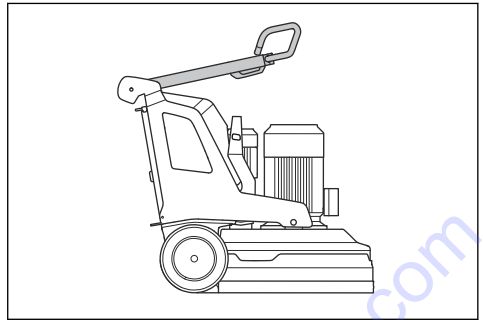


- There are 2 recommended positions of the handle for remote control operation and transportation of the product.

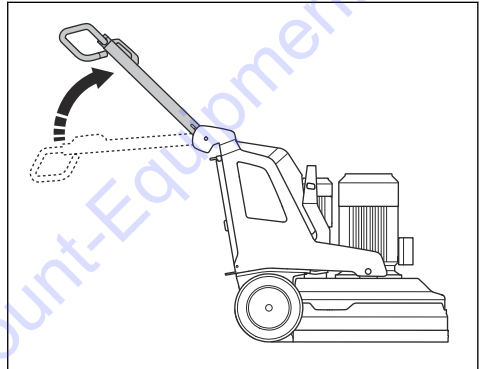
Position 1:



Position 2:



- Servicing position of the handle:



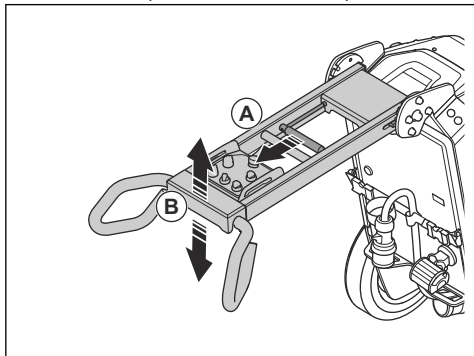
## To adjust the handle and the handlebar



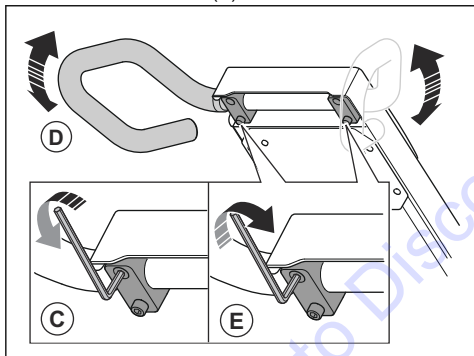
**WARNING:** Be careful when you adjust the handle and the handlebar. Make sure that the handle and the handlebar locks into position. The moving parts can cause injury.

Set the handle height as close as possible to the height of the operators hip. During operation the product can pull to the side. The hip of the operator can help to stop this movement to the side.

1. Pull the lock lever (A) on the handle in the direction of the control panel and hold it in this position.



2. Adjust the handle (B) to an applicable operation height.
3. Release the lock lever on the handle to lock the handle position.
4. Loosen the 4 screws (C) on the handlebar.

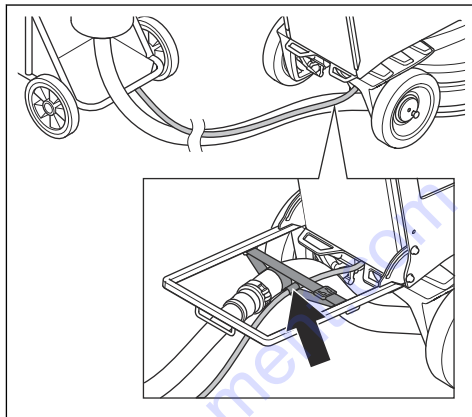


5. Adjust the handlebar (D) to an applicable operation height.
6. Tighten the 4 screws (E) on the handlebar to lock the handlebar position.

## To connect the product to a power source

1. Connect the power plug of the product to the extension cable.
2. Connect the extension cable to a mains outlet.
3. Engage the support frame. Refer to *To engage and disengage the support frame on page 15.*

4. Hang the power cord on the suspension device on the support frame to prevent tension in the power cord.



5. Disengage the support frame.



**CAUTION:** When the product is connected to a dust extractor, the dust extractor must be connected to a 3-phase power source.

## USB charger on the control panel (PG 690 RC, PG 830 RC)

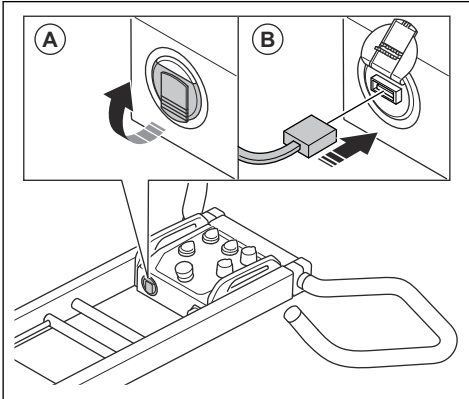
The USB charger on the control panel can be used to charge mobile devices.

- To charge through the USB charger is only possible when the product is connected to a 3-phase power source.
- The mobile device continues to charge if the product stops or the emergency stop button is engaged.
- The product does not set a time limit for how long a mobile device can be charged. Charge your mobile device as recommended by the manufacturer of the mobile device.
- The USB charger supplies a maximum output of 10W.

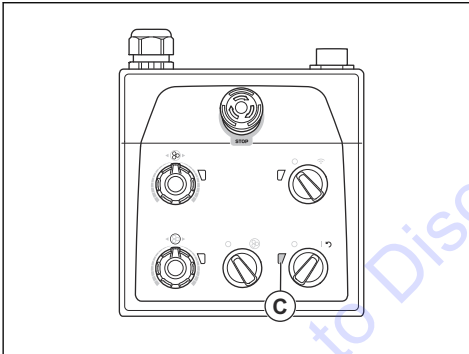
## To charge a mobile device (PG 690 RC, PG 830 RC)

1. Connect the product to a 3-phase power source. Refer to *To connect the product to a power source on page 19.*

- Remove the protective cover of the USB charger on the control panel (A).



- Connect your mobile device to the USB charger (B).
- Make sure that the indicator for power and state of charge of the product battery (C) on the control panel flashes.



While the product is connected to a 3-phase power source, the USB charger continues to charge when the motor is off. The power supply for the USB charger stops when the battery of the product is fully charged.

## Speed and direction of rotation

The product has Dual Drive technology. Dual Drive technology means that the grinding head and the grinding discs operate with different motors. The speed and direction of rotation can be set independently between the grinding head and grinding discs. To set the speed and direction of rotation independently increases the range of different surface types where the product can be operated. Speak to Discount-equipment for more information.

## Operation speed

If the product is operated on a new surface type, set the speed to 70% initially. When the operator knows the surface type, the speed can be adjusted.

## Direction of rotation of the grinding head and the grinding discs

Seen from below the product, the direction of rotation is as follows:

- "REV": clockwise
- "FWD": counterclockwise

The operation result is best when the grinding head and the grinding discs rotate in the same direction.

During operation the product can pull to the side. The direction of the pull is related to the direction of rotation. The product pulls to the right when the direction of rotation is set to "FWD". The product pulls to the left when the direction of rotation is set to "REV".

The side pull can help you operate the product for example near a wall. Set the direction of rotation to pull in the direction of the wall.



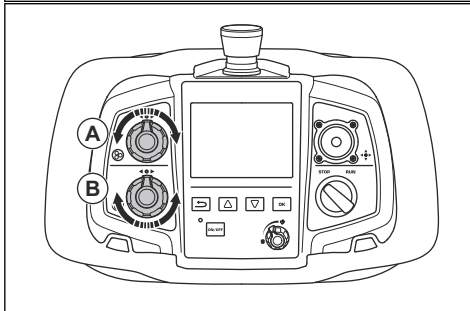
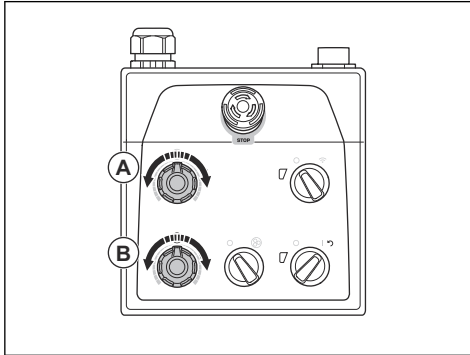
**CAUTION:** Steer the product carefully. Make sure that the product only lightly touches the wall. The product is heavy and can cause damage.

## To change the speed and direction of rotation of the motors

Change the direction of rotation regularly to increase the life and the sharpness of the diamond tools. The diamond tool segments are used equally and the contact surface continues to be as large as possible.

- To set the speed and direction of rotation of the grinding head, turn the knob (A).

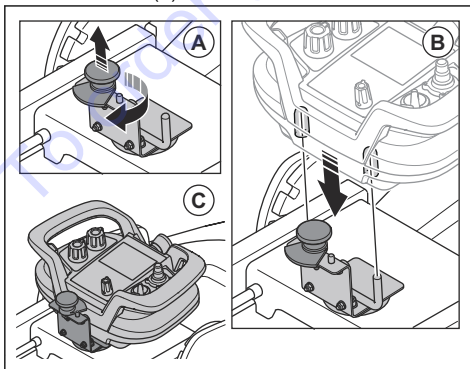
- To set the speed and direction of rotation of the grinding disc, turn the knob (B).



## To attach the remote control to the remote control holder

When the remote control is not in operation, it can be attached to the remote control holder on the product.

1. Install the remote control holder on the product. The rear side of the remote control holder has a magnet.
2. Make sure that the locking knob on the remote control holder is in the correct position. Lift and turn the locking knob until it points away from the remote control holder (A).



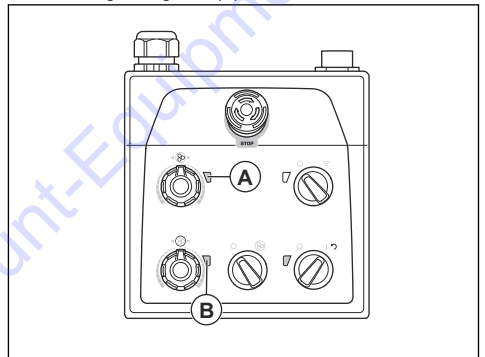
3. Align the holes at the rear side of the remote control with the pins on the remote control holder (B).
4. Push the remote control fully down onto the pins on the remote control holder.
5. Lift and turn the locking knob until it is on top of the remote control (C).
6. Remove the remote control in the opposite sequence.

## Control panel

Operate the product manually with the control panel in the handlebar. Refer to *Control panel overview on page 4*, for an overview of the control panel buttons.

### To operate the product with control panel

- During operation, look for color changes in the indicators for the inverter to the grinding head (A) and the grinding disc (B).



- Green light: the product operates correctly.
- Orange light: there is an overload in the grinding head and/or grinding disc. Decrease the power output in 10 seconds or less to prevent that a fault occurs.
- Red light: fault in an inverter and the operation stops. It is necessary to reset the product. Refer to *To reset the product with control panel on page 30*.

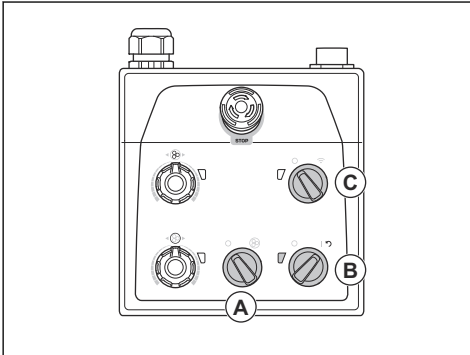
### To start the product with control panel



**CAUTION:** Move the product all the time while the grinding head is on. If you do not move the product, the surface can become rough.

1. Make sure that the locking pins for the wheels are disengaged. Refer to *To do a check of the locking pins for the wheels on page 13*.
2. Push down the handlebar slightly to lift the grinding head from the surface. This releases the surface friction of the diamond tools. Do not lift the grinding head fully from the surface during operation.

- Turn the STOP/RUN switch (A) on the control panel counterclockwise to 0 to make sure that the grinding head is off.



- Turn the ON/OFF switch (B) on the control panel to 1 to start the product. The LED adjacent to the ON/OFF switch comes on.
- Turn the switch for remote control/manual operation (C) on the control panel counterclockwise to 0 for manual operation.
- Turn the STOP/RUN switch on the control panel clockwise to start the grinding head. In less than 5 seconds, the product operates at idle speed. The small motor starts after approximately 2 seconds.

### To stop the product with the control panel

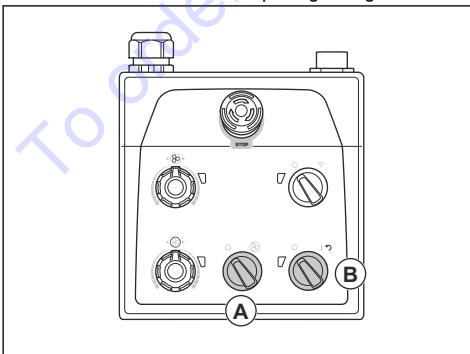


**CAUTION:** Do not lift the grinding head from the surface when you stop the motor. The tool plates rotate for a while after the motor stops. Dust can go into the air and the surface can become damaged.



**CAUTION:** Do not let the product become stationary until the tool plates stop fully.

- Turn the STOP/RUN switch (A) on the control panel counterclockwise to 0 to stop the grinding head.



- Keep the tool plates against the surface until they stop fully.



**CAUTION:** If you grind adhesive asphalt, paint or equivalent material, the product can attach to the adhesive surface. Immediately after the tool plate stopped fully, lift up the front of the grinding head a small distance.

- Turn the ON/OFF switch (B) on the control panel to 0 to stop the product. The LED adjacent to the ON/OFF switch goes off.
- Disconnect the power plug.

### Remote control

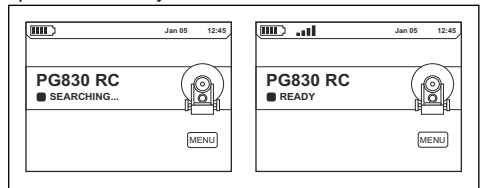
The remote control can operate by radio communication. To operate by radio communication, it is necessary to do a pairing operation. Refer to *To do a pairing operation on page 28*.

The remote control can also operate with a CAN bus cable connected between the remote control and the product. The CAN bus cable can for example be used when the state of charge in the remote control battery is low. For instructions on how to connect the remote control to the product with a CAN bus cable, refer to *To connect the remote control to the product with a CAN bus cable on page 28*.

The remote control has all controls that are necessary to operate the product. The remote control has a digital display with a menu system. Refer to *Menu overview on page 24*.

### Main menu

In the main menu, the "OK" button on the remote control opens the menu system.

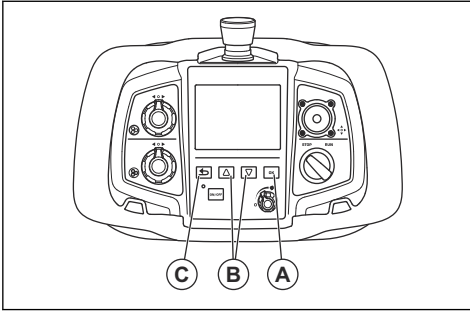


### Menu system

**Note:** The display texts in this manual are in English. The display texts on your product are in the selected language. Refer to *"LANGUAGES" on page 25*.

The menu system has the submenus "SETTINGS" and "SERVICE".

The arrow keys (B) move up and down in the menu lists. The "OK" button (A) makes the selection. The button (C) lets you go back in the menu structure.

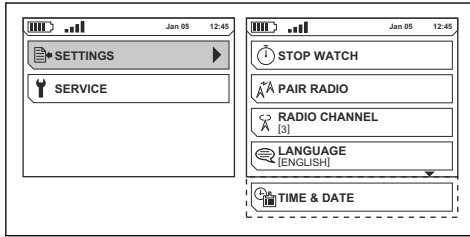


To order go to [Discount-Equipment.com](http://Discount-Equipment.com)





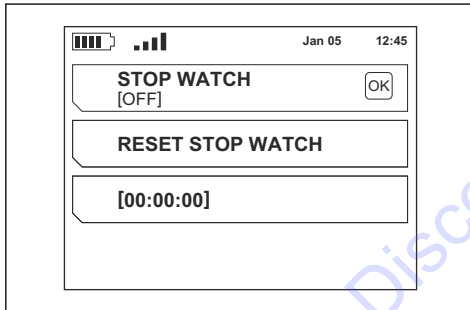
## "SETTINGS" menu



### "STOP WATCH"

The function "STOP WATCH" measures how much time is necessary for an operation. The time starts to count when you start the product.

- "STOP WATCH OFF/ON": Disengages/engages the function.
- "RESET STOP WATCH": Resets the function.
- [00:00:00]: Shows the operation time in hours, minutes and seconds.



### "PAIR RADIO"

"PAIR RADIO" does a pairing operation of the remote control and the product.

### "RADIO CHANNEL"

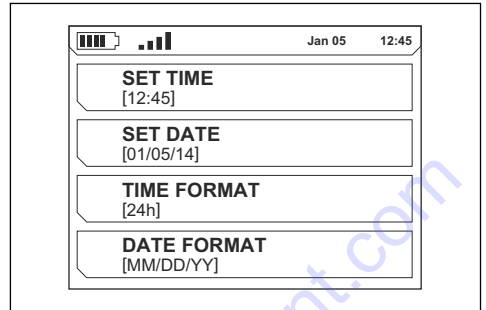
"RADIO CHANNEL" shows a selection of radio channels. To change the radio channel, it is necessary to do a pairing operation. Refer to *To do a pairing operation on page 28*.

### "LANGUAGES"

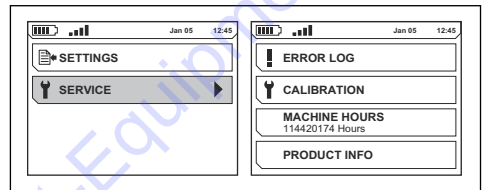
"LANGUAGES" sets the display text language.

## "TIME & DATE"

"TIME & DATE" sets the time, the date and the format for time and date.



## "SERVICE" menu



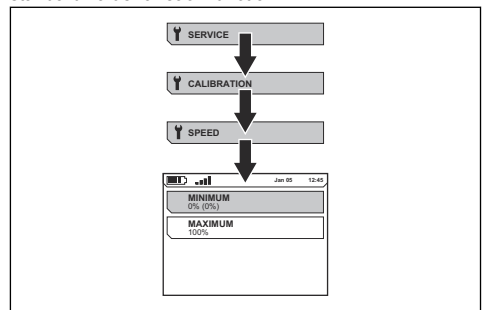
### "ERROR LOG"

The "ERROR LOG" is a list of faults that the product finds. Refer to *Error and warning messages on the remote control on page 39*.

### "CALIBRATION"

If the product starts to move incorrectly, it is necessary to calibrate the controls on the remote control and the control panel. Calibration is done with the remote control.

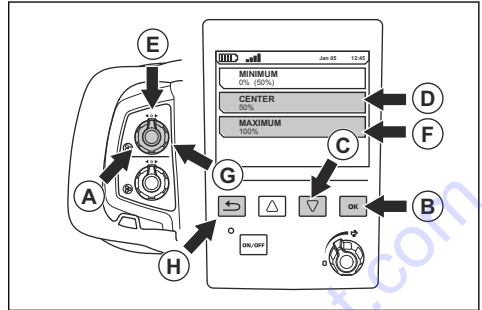
Calibration is done for the different controls in the "CALIBRATION" menu. The selection "MINIMUM" is the standard value for each function.



- "SPEED": Calibration of the control for product speed.

- "DISC": Calibration of the control for direction of rotation and speed of grinding discs on the remote control.
- "HEAD": Calibration of the control for direction of rotation and speed of grinding head on the remote control.
- "JOYSTICK X": Calibration of the joystick position, right and left.
- "JOYSTICK Y": Calibration of the joystick position, forward and rearward.
- "MACHINE DISC": Calibration of the control for direction of rotation and speed of grinding discs on the control panel.
- "MACHINE HEAD": Calibration of the control for direction of rotation and speed of grinding head on the control panel.

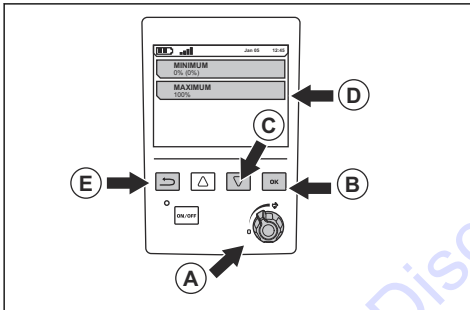
2. Turn the knob for direction of rotation and speed for grinding head counterclockwise to stop for minimum (A).



3. Push the "OK" button (B).
4. Use the arrow key down (C) and select "CENTER" (D) in the display.
5. Turn the knob for direction of rotation and speed for grinding head clockwise into position where the knob points straight up (E).
6. Push the "OK" button.
7. Use the arrow key down and select "MAXIMUM" (F) in the display.
8. Turn the knob for direction of rotation and speed for grinding head clockwise to stop for maximum (G).
9. Push the "OK" button.
10. Push the button (H) to go back in the menu structure.
11. Do the same procedure for the other 3 controls.

### To calibrate the speed control

1. Select "SPEED" in the "CALIBRATION" menu.
2. Turn the speed limit knob (A) counterclockwise to 0 for minimum value.



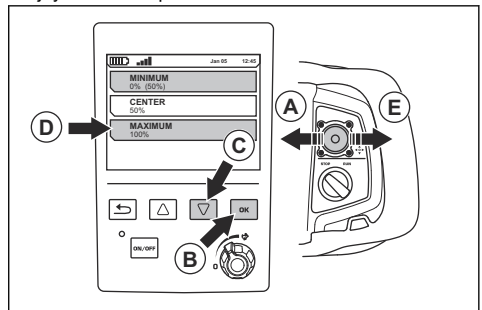
3. Push the "OK" button (B).
4. Push the down arrow key (C) and select "MAXIMUM" (D) in the display.
5. Turn the speed limit knob clockwise to maximum value.
6. Push the "OK" button.
7. Push the button (E) to go back in the menu structure.

### To calibrate the grinding disc and the grinding head

1. Select "DISC", "HEAD", "MACHINE DISC" or "MACHINE HEAD" in the "CALIBRATION" menu. Refer to "CALIBRATION" on page 25 for descriptions of each selection.

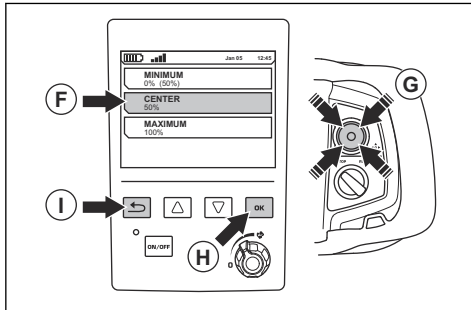
### To calibrate the joystick

1. To calibrate the horizontal movement of the joystick, select "JOYSTICK X" in the "CALIBRATION" menu.
2. Push the joystick straight to the left (A) and hold the joystick in this position.



3. Push the "OK" button (B) to select "MINIMUM" in the display.
4. Use the arrow key down (C) and select "MAXIMUM" (D) in the display.
5. Push the "OK" button.

6. Release the joystick.
7. Do the same procedure to the right (E).
8. To calibrate "CENTER" (F) release the joystick. The joystick moves back to the center position (G).



9. Push "OK" button (H).
10. Push the button (I) to go back in the menu structure.
11. To calibrate the vertical movement of the joystick, select "JOYSTICK Y" in the "CALIBRATION" menu.
12. Do the same calibration procedure as "JOYSTICK X" but move the joystick up and down.

### "OPERATING HOURS"

"OPERATING HOURS" shows the total operation time of the product in hours.

### "PRODUCT INFO"

"PRODUCT INFO" shows information about the product or the remote control.

### Function menu for oscillation and offset

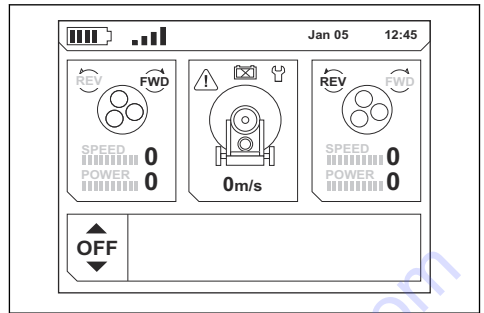
Oscillation prevents edges on the surface. When you change a value in the menu for oscillation and offset, the corrections are done after some seconds.



**CAUTION:** Monitor the oscillation when the product operates near walls and edges. Stop the oscillation when you turn the product or operate near objects.

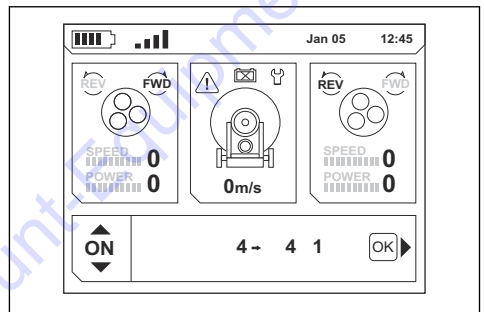
- "ON"/"OFF": Start/stop the oscillation. Use for example when you turn the product. When you start the oscillation, the same values that were used before the stop are used.

The arrow keys on the remote control let you move between the selections "ON" or "OFF".

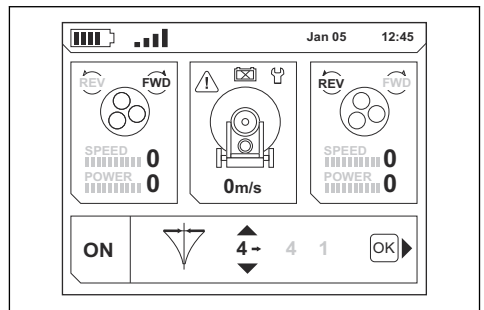


- Offset: Correction of the direction of the product displacement during operation.

The arrow keys start the oscillation. The "OK" button on the remote control starts the offset mode.

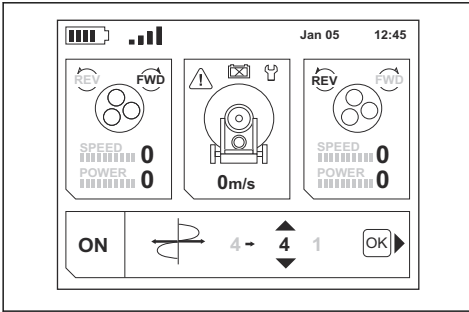


- In offset mode, the arrow keys let you adjust the offset value.



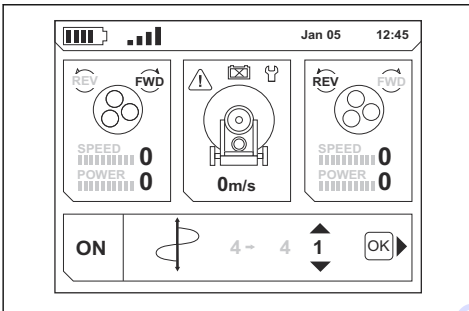
- Amplitude: How wide the oscillation is.

In offset mode, the "OK" button starts the amplitude mode. The arrow keys let you adjust the amplitude value.



- Frequency: How fast the oscillation is.

In amplitude mode, the "OK" button starts the frequency mode. The arrow keys let you adjust the frequency value.



- In frequency mode, the "OK" button goes back to the oscillation "ON"/"OFF" mode.

## To operate the product with the remote control



**WARNING:** Make sure that you can see the product at all times when you operate it with the remote control. The operation range of the remote control makes it possible to move the product also when you cannot see it. Risk of injury and damage.

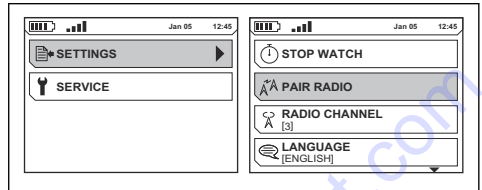
## To do a pairing operation

The first time the remote control is used together with the product, a pairing operation is necessary.

A pairing operation is also necessary if the remote control is replaced or if you change remote controls between products.

1. Make sure that the emergency stop buttons on the control panel and on the remote control are disengaged. Refer to *To do a check of the emergency stop button on the control panel on page 12* and *To do a check of the of the emergency stop button on the remote control on page 13*.
2. Connect the power cord and start the product.

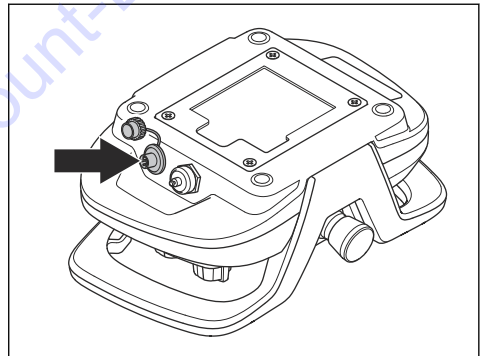
3. Connect the CAN bus cable. Refer to *To connect the remote control to the product with a CAN bus cable on page 28*.
4. Wait until the remote control is fully charged and the main menu shows on the display.
5. Push the "OK" button to open the menu system.
6. Select "SETTINGS" and push the "OK" button.



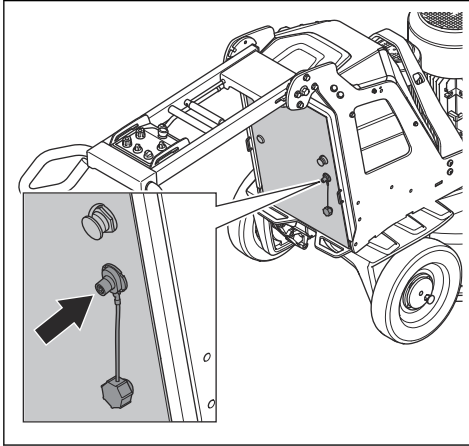
7. Use the arrow keys to go down to "PAIR RADIO" and push the "OK" button.
8. A message on the display shows if the pairing operation is done correctly. Do the procedure again if the pairing operation is not done correctly.

## To connect the remote control to the product with a CAN bus cable

1. Put one end of the CAN bus cable in the connector on the remote control.



- Put the other end of the CAN bus cable in the connector on the electrical box door.



- Tighten the connector screws for the CAN bus cable by hand.

### To start the product with remote control



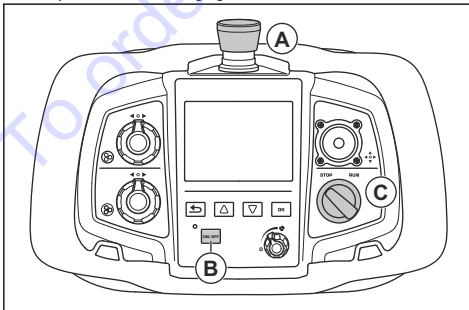
**CAUTION:** Move the product all the time while the grinding head is on. If you do not move the product, the surface can become rough.

- Turn the locking pins on the left and the right wheel until the pin of the locking pin aligns with the notch. Refer to *To do a check of the locking pins for the wheels on page 13*.



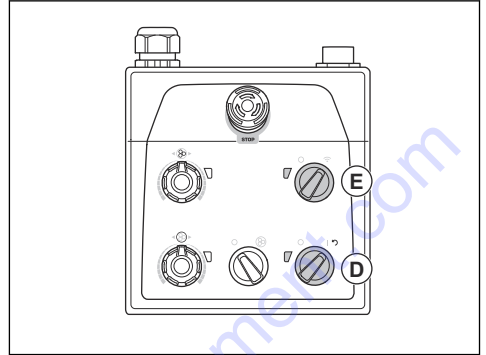
**WARNING:** Make sure that the 2 locking pins are aligned correctly. If only 1 locking pin engages, there is a risk of injury and damage when the product starts.

- Turn the emergency stop button (A) on the remote control clockwise to make sure that the emergency stop button is disengaged.



- Push the ON/OFF button (B) on the remote control. The remote control is on when the display comes on.

- Turn the STOP/RUN switch (C) on the remote control to STOP.
- Turn the ON/OFF switch (D) on the control panel to 1 to start the product. The LED adjacent to the ON/OFF switch comes on.



- Turn the remote control/manual operation switch (E) on the control panel clockwise for remote control operation. The LED adjacent to the remote control/manual operation switch flashes.
- Turn the STOP/RUN switch on the remote control to RUN to start the operation. In less than 5 seconds the product operates at idle speed. The small motor starts after approximately 2 seconds.
- Move the joystick to steer the product.



**CAUTION:** Move the joystick carefully. To move the joystick with force does not make the performance of the product better. The joystick can become damaged if you operate it with too much force.



**CAUTION:** Do not lift the remote control by the joystick.

**Note:** On abrasive surfaces, it can be necessary to push the joystick forward to release the surface friction of the diamond tools.

### To operate the product with the remote control connected with a CAN bus cable



**WARNING:** Do not use the remote control connected with a CAN bus cable where there is a risk that the product falls. The operator must be disengaged from the product.

- Connect the CAN bus cable between the remote control and the product. Refer to *To connect the remote control to the product with a CAN bus cable on page 28*.

- Make sure that the locking pins for the wheels are engaged. Refer to *To do a check of the locking pins for the wheels on page 13.*

### To stop the product with remote control

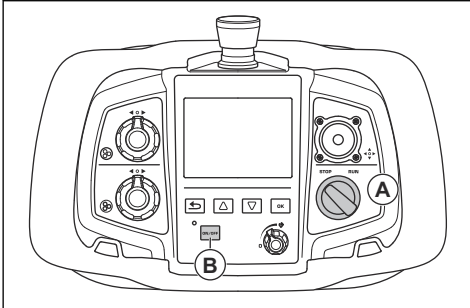


**CAUTION:** Do not lift the grinding head from the surface when you stop the motor. The tool plates rotate for a while after the motor stops. Dust can go into the air and the surface can become damaged.



**CAUTION:** Do not let the product become stationary until the tool plates stop fully.

1. Turn the STOP/RUN switch (A) on the remote control to STOP to stop the grinding head.



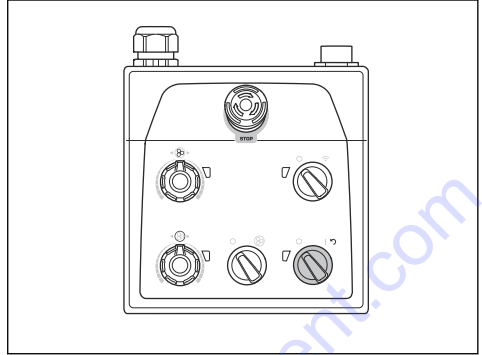
2. Keep the tool plates against the surface until they stop fully.



**CAUTION:** If you grind adhesive asphalt, paint or equivalent material, the product can attach to the adhesive surface. Immediately after the tool plate stopped fully, lift up the front of the grinding head a small distance.

3. Push the ON/OFF button (B) on the remote control. The display goes off.

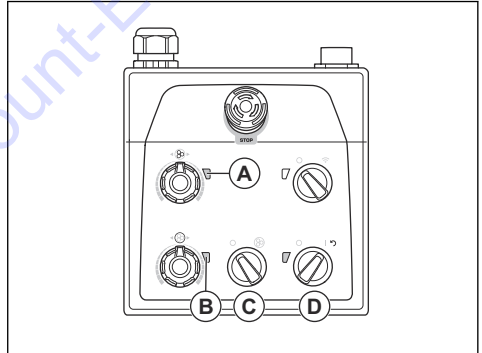
4. Turn the ON/OFF switch on the control panel to 0 to stop the product. The LED adjacent to the ON/OFF switch goes off.



5. Disconnect the power plug.

### To reset the product with control panel

The ON/OFF switch can be used as a reset switch if an inverter releases. Reset the product when the indicators for the inverter to the grinding head (A) and/or the grinding disc (B) are red.



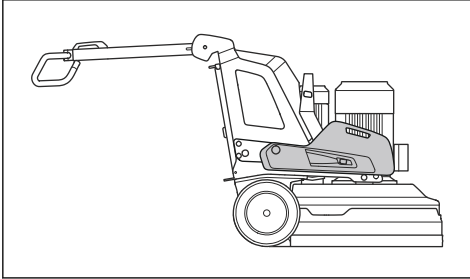
1. Turn the STOP/RUN switch (C) counterclockwise to 0 to make sure that the grinding head is off.
2. Turn the ON/OFF switch to the arrow position (D) to reset the product. The indicators for the inverter to the grinding head and grinding disc are green when the fault is reset.
3. Turn the STOP/RUN switch on the control panel clockwise to start the grinding head again.

### Weights

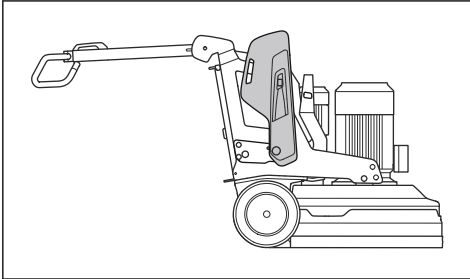
The product has 1 weight on each side of the product. If the product is heavy to operate, adjust the weights to change the pressure on the grinding head. The weights must be adjusted to the same position on the right and the left side. The weights has 3 positions:

- Position 1: Maximum pressure on the grinding head. This position increases the operation effect. This

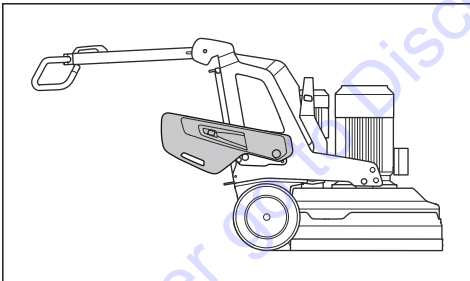
position is also used when you set the product in transport position.



- Position 2: Standard pressure on the grinding head.



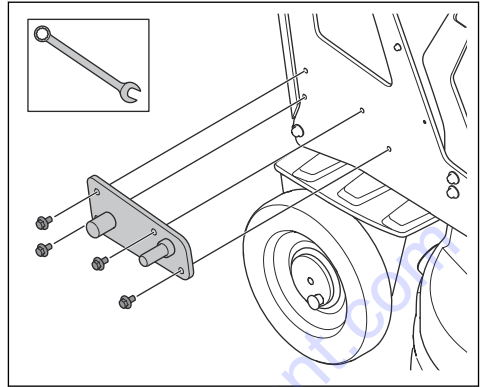
- Position 3: Minimum pressure on the grinding head. This position is also used when you tilt the product to servicing position.



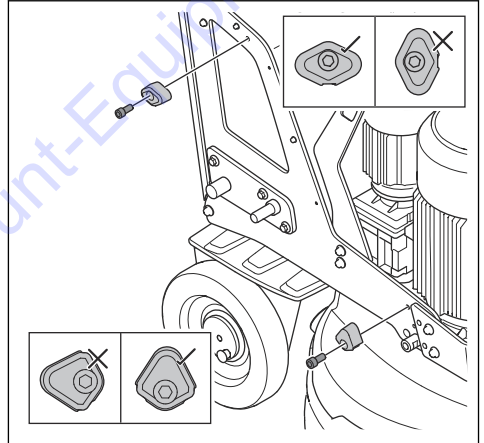
### To assemble and disassemble the weights

The product has 1 weight on each side of the product. Do the procedure that follows on each weight.

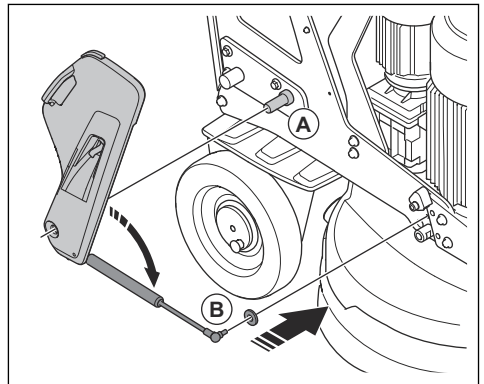
1. Install the weight holder and tighten the 4 screws.



2. Install the 2 weight brackets. Make sure that the weight brackets are installed correctly as shown in the illustration.



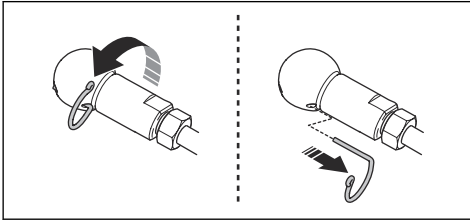
3. Put the weight on the cylinder (A) on the weight holder.





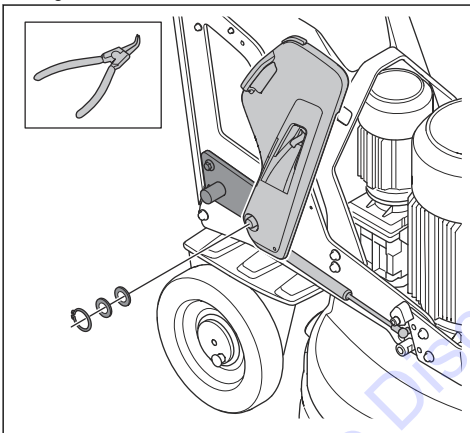
4. Attach the weight gas spring to the product (B).

- a) Remove the locking spring of the ball joint.



- b) Remove the ball joint from the gas spring.  
c) Attach the ball joint to the product.  
d) Attach the gas spring to the ball joint. Lock the gas spring to the ball joint with the locking spring.

5. Lock the weight to the weight holder with the lock ring.



## To adjust the weights

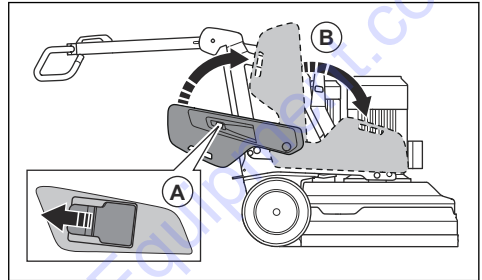


**WARNING:** Be careful when you adjust the weights. The moving parts can cause injury.



**WARNING:** Always make sure that the weight lock locks correctly when the weights are put in the selected position.

1. Push in the weight lock (A) and move the weight to a selected position (B) with the weight handle. Refer to *Weights on page 30*.



2. Release the weight lock to lock the weight in the selected position.

## Maintenance

### Introduction



**WARNING:** Before you do maintenance, you must read and understand the safety chapter.

For all servicing and repair work on the product, special training is necessary. We guarantee the availability of professional repairs and servicing. If your dealer is not a service agent, speak to them for information about the nearest service agent.

### To do before the maintenance

- Use personal protective equipment. Refer to *Personal protective equipment on page 9*.
- Use approved respiratory protection. The dust from the product is dangerous to your health.
- Park the product on a level surface.

- Stop the motor and disconnect the power plug to prevent accidental start during maintenance.
- Clean the area around the product from oil and dirt. Remove unwanted objects.
- Set out clear signs to give a warning to bystanders that maintenance work is in progress.
- Keep fire extinguishers, medical supplies and an emergency phone near.

### Maintenance schedule

\* = General maintenance done by the operator. The instructions are not given in this operator's manual.

X = The instructions are given in this operator's manual.

O = The instructions are not given in this operator's manual. Let an approved service agent do the maintenance.

Maintenance	Daily	Weekly	Each 6 months	Each 12-36 months
Do a check of the ON/OFF switch on the control panel.	*			
Do a check of the STOP/RUN switch on the remote control.	*			
Do a check of the emergency stop button on the control panel.	X			
Do a check of the emergency stop button on the remote control.	X			
Do a check of the attachment points and the lock function for the handle.		*		
Do a check of the attachment points and the lock function for the weights.		*		
Clean the external surfaces of the product.	X			
Clean the internal components of the product.			O	
Do a general inspection.	X			
Do a check of the grinding discs.	X			
Do a function check of the drive system for the grinding head.		X		
Do the service on the drive system for grinding discs.				O
Do a check of the connection between chassis and grinding head.		*		

## To clean the product



**CAUTION:** A blocked air intake decreases the performance of the product and can cause the motor to become too hot.

- Remove blockage from all air openings. The product must always have sufficiently cool temperature.
- Always disconnect the power plug from the mains outlet before you clean.
- Do not use chemicals to clean the product.
- Do not clean electrical components with water.
- Always clean all the equipment at the end of the work day.
  - a) Tilt the product until the handlebar is on the floor.
  - b) Remove the diamond tools and operate the product for a short period at the lowest speed. Operate the product to decrease the quantity of dust at the top surface of the grinding head.
  - c) Clean the components at the bottom surface of the grinding head with a high-pressure washer.



**CAUTION:** Do not point the high-pressure washer directly at seals or connection points.

## To clean the battery and the battery charger

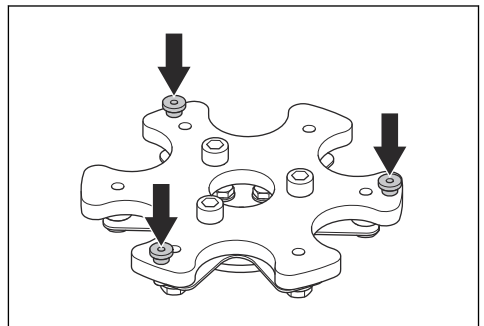


**CAUTION:** Do not clean the battery or the battery charger with water.

- Make sure that the battery and the battery charger are clean and dry before you connect the battery into the battery charger.
- Clean the battery terminals with compressed air or use a soft and dry cloth.
- Clean the surfaces of the battery and the battery charger with a soft and dry cloth.

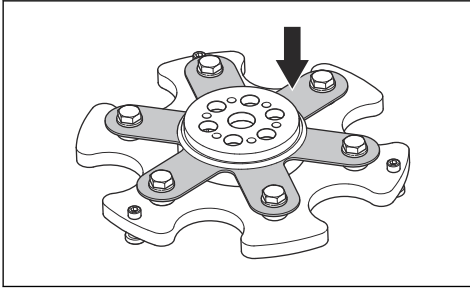
## To do a general inspection

- Make sure that the power cord and extension cable are in good condition and not damaged.
- Make sure that nuts and screws are tight.
- Make sure that the head locks are tight. If it is necessary, tighten the head locks and use LOCTITE® 680 threadlocker.



## To do a check of the grinding discs

- Examine the spring steel spring for damages and make sure that it is in good condition.



- Replace damaged spring steel springs.

**Note:** It is not necessary to discard the grinding disc when you replace the spring steel spring.

- Add a second spring steel spring to make the spring steel head less flexible.

## Drive system for grinding head

The drive system for the grinding head is a closed system. If you have problems with the drive system of the grinding head, speak to Discount-equipment.

## Product battery

The product battery is only used to move the product with the remote control from the transportation vehicle to the work area. The product battery is not used for operation of the product. The product must be connected to a power source during operation.

Before you use the product for the first time, it is necessary to charge the battery.

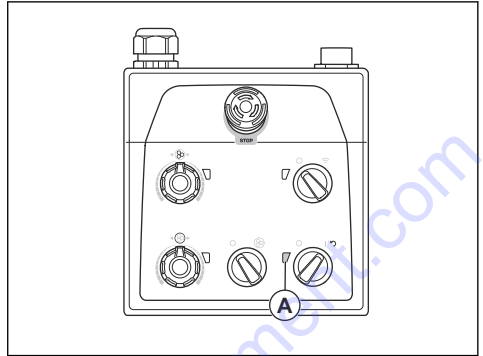
The operation time is approximately 1 hour when the battery is fully charged. The ambient temperature and how frequently the wheel motors are used can decrease the operation time.

## To charge the product battery through a 3-phase power source

The product battery charges when the product is connected to a 3-phase power source and is in operation. Charge time for an empty product battery is approximately 3-4 hours.

1. Charge the battery in an ambient temperature between 0 °C/32 °F and 40 °C/104 °F.

2. Connect the product to a 3-phase power source. Refer to *To connect the product to a power source on page 19*. When the battery charges, the indicator for power and state of charge of the product battery (A) on the control panel flashes.

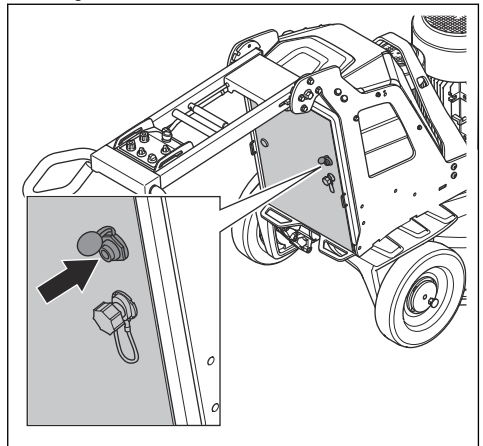


3. When the battery is fully charged, the indicator for power and state of charge of the product battery goes off.

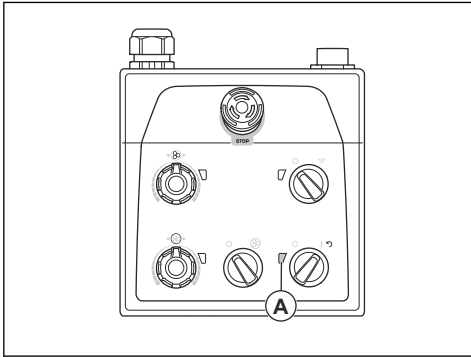
## To charge the product battery through a 1-phase connection

Charge time for an empty product battery is approximately 3-4 hours.

1. Charge the battery in an ambient temperature between 0 °C/32 °F and 40 °C/104 °F.
2. Connect the 1-phase charge cable to the battery charger connector on the door to the electrical box.



3. Connect the other end of the 1-phase charge cable to a mains outlet. When the battery charges, the indicator for power and state of charge of the product battery (A) on the control panel flashes.



4. When the battery is fully charged, the indicator for power and state of charge of the product battery goes off.

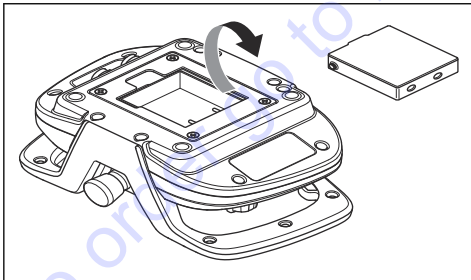
## Remote control battery

The operation time is approximately 8-10 hours when the remote control battery is fully charged. If the display is used frequently, the operation time can decrease.

Before you use the remote control for the first time, it is necessary to charge the battery.

### To remove and install the remote control battery in the remote control

1. Turn the remote control to get access to the rear side where the battery is.
2. Remove or install the remote control battery.

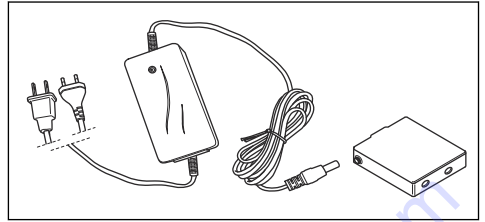


### To charge the remote control battery with the battery charger

Charge time for an empty remote control battery is approximately 2-3 hours with the battery charger.

1. Remove the remote control battery from the remote control. Refer to *To remove and install the remote control battery in the remote control on page 35*.
2. Connect the battery charger to a mains outlet.

3. Connect the remote control battery to the battery charger. The indicator on the battery charger is orange when the remote control battery charges.



4. When the remote control battery is fully charged, the indicator becomes green. Remove the remote control battery from the battery charger.
5. Disconnect the battery charger from the mains outlet.

### To charge the remote control battery with the CAN bus cable

Charge time with the CAN bus cable is longer than with the battery charger. The remote control can be operated during charge with CAN bus cable.

**Note:** You must connect the product to a power outlet and turn the ON/OFF switch to 1 to charge the remote control battery.

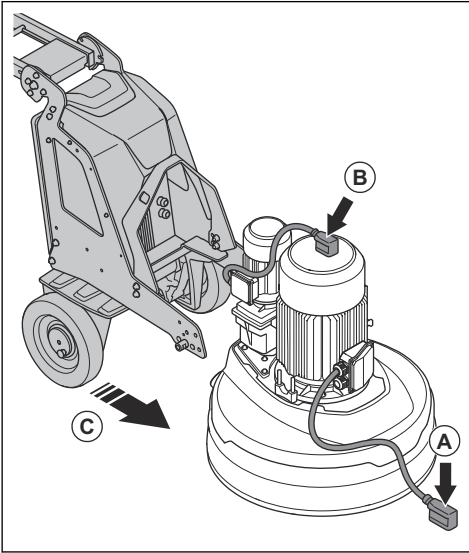
1. Connect the remote control to the product with the CAN bus cable. Refer to *To connect the remote control to the product with a CAN bus cable on page 28*. The product battery indicator in the remote control display comes on when the battery charges. Refer to *Display overview on page 6*.
2. When the battery is fully charged, the product battery indicator goes off.
3. Disconnect the CAN bus cable from the product.
4. Disconnect the CAN bus cable from the remote control.

### To install and remove the grinding head

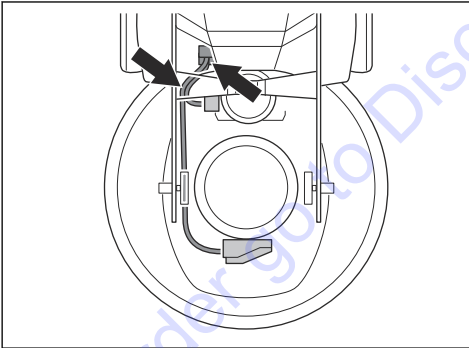


**WARNING:** The chassis is not balance when the grinding head is removed. Make sure that the chassis can not fall. It can cause injury or damage.

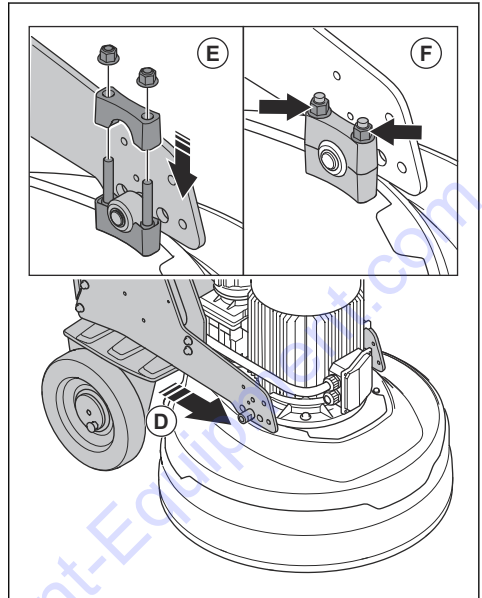
1. Put the front motor cable (A) in front of the grinding head.



2. Put the rear motor cable (B) on top of the motor.
3. Push the chassis near the grinding head (C).
4. Put the motor cables through the slot between the grinding head and the chassis.



5. Push the chassis fully against the grinding head (D). Make sure that the chassis attaches to the bracket on the grinding head.

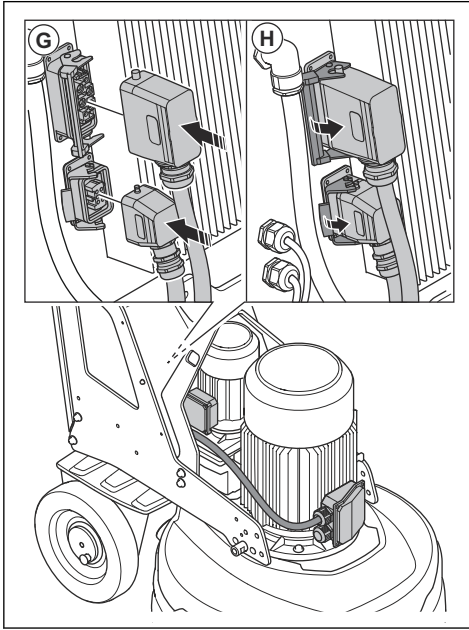


6. Install the second bracket (E) on top of the bracket on the grinding head.
7. Tighten the 2 nuts (F) on each side of the grinding head.

8. Connect the motor cables to the electrical outlets (G) on the electrical enclosure.

9. Lock the motor cables to the electrical outlets (H) on the electrical enclosure.

10. Remove the grinding head in opposite sequence.



## Troubleshooting

Problem	Cause	Solution
The product does not start.	The extension cable is disconnected or damaged.	Connect the extension cable or if it is necessary, replace the extension cable.
	An emergency stop button is engaged.	Turn the emergency stop button on the control panel and/or the remote control clockwise to disengage.
	The safety switch is open in the electrical enclosure.	Close the safety switch to complete the circuit.

<b>Problem</b>	<b>Cause</b>	<b>Solution</b>
The product is not easy to hold on to.	Too small number of diamond tools are installed on the product.	Increase the number of diamond tools to decrease load on the product and operator.
	The large grinding drive motor does not operate.  This can be caused by fault with motor or fault with wire to the motor.	Make sure that the large grinding drive motor is connected.  If the problem stays, speak to an approved service agent.
	The belt is broken.	If the belt is broken, let a service center replace it.  Turn one of the grinding discs by hand. If all grinding discs rotate together, the belt is not damaged. If 1 grinding disc rotates freely, then the belt is broken.
	Only 1 phase comes into the product. The product will not receive an error code and will use <1 A motor current. The fan rotates slowly.	Do a check of the power supply.
	The surface or the operation uses too much of the product capacity.	Adjust the speed of the motors and/or the forward speed of the product across the floor.
The product sounds as if it increases the speed too much.	The small grinding drive motor is not connected.	Make sure that the small grinding drive motor is connected.
	The small grinding drive motor does not operate.  This can be caused by fault with motor or fault with wire to the motor.	Make sure that the small grinding drive motor is connected.  If the problem stays, speak to an approved service agent.
	The surface is too thick or the diamond tool configuration is incorrect.	Push down the handlebar slightly to lift the grinding head from the surface when you start the product.
The product makes an irregular scratch pattern.	The diamond tools are incorrectly attached or attached at different heights on the grinding discs.	Make sure that all diamond tools are installed correctly and have the same height.
	The diamond tools are of mixed types	Make sure that all segments are the same diamond grit and bond. If the diamond segments are rough, space out the rough diamond segments equally. Operate the product on an abrasive surface until all segments have the same height.
	The head locks are loose or missing.	Make sure that all head locks are in position and tightened.
	The resin tools are mixed or have unwanted contamination.	Make sure that all resins are the same diamond grit and bond and that there is no contamination. To clean the resin tools, operate them for a short time on a lightly abrasive surface.
	The grinding discs are worn or damaged.	Examine the grinding discs for broken sections or too much movement.

Problem	Cause	Solution
There are sudden unwanted movements in the product.	The grinding discs are worn or damaged.	Examine the grinding discs for damaged parts and too much movement.
	The diamond tools are incorrectly attached or attached at different heights on the grinding discs.	Make sure that all diamond tools are installed correctly and that all have the same height.
	The head locks are loose or missing.	Make sure that all head locks are in position and tightened.
The internal circuit breaker releases.	Too high a load or not sufficient power supply.	Do a check of the power supply.
		Decrease the grinding pressure, increase the number of diamond tools or increase the bond hardness.
The display goes to one of the main menus while the product operates.	Interference in radio communication between the remote control and the product.	Change the radio channel.
There is no Bluetooth® Low Energy (BLE) connection to the product.	There is no power supply.	Connect the product to a power source.
	Battery pack for the BLE module is in OFF position.	Make sure that the battery pack switch is in ON position.
	The battery for the BLE module is drained.	Speak to an approved service agent.
	The antenna or antenna connection is damaged.	Speak to an approved service agent.

## Error and warning messages on the remote control

When the product stops and the display shows an error message and an error code, a fault has occurred. If the messages apply to traction motors or battery, the product can only be operated manually. Then speak to an approved service agent. To continue to operate the product, the fault must be corrected. When the fault is

corrected, make sure that the STOP/RUN switch on the remote control is set to STOP.

When the warning symbol in the remote control comes on and the warning lamp on the product flashes quickly, a fault has occurred. To see the fault, select the SERVICE menu in the menu system for the remote control. Then select ERROR LOG to see the fault and possible solution.

Error or warning code	Message in the display	Cause
0x010201	"Machine battery error, contact service!"	The battery does not operate.
0x010202		Battery charge short circuit.
0x010228		The battery charge time is out.
0x01020B	"Low battery level!"	The battery level is low.
0x010240	"Machine battery error, contact service!"	Battery connected incorrectly.
0x010115	"Traction overload, check that machine is not blocked!"	There is an overload in the traction motors.
0x010140	"Traction motor error, contact service if error persists!"	The hall effect sensors of the traction motor signals incorrect value
0x010141	"Spring pin(s) not inserted in drive wheel(s)."	The locking pins are not engaged.
0x010540	"Radio error, contact service if error persists!"	No connection with the product.



<b>Error or warning code</b>	<b>Message in the display</b>	<b>Cause</b>	
0x01070D	"Temperature measurement not working, contact service!"	The product temperature can not be given. Battery charge is not enabled.	
0x01070F	"Temperature in machine is too high!"	Product temperature is high, product is stopped.	
0x01070E	"Temperature in machine is too low!"	Product temperature is low, product is stopped.	
0x010740	"Internal error, contact service!"	No connection between variable frequency drives and the grinding control unit.	
0x010300		General error.	
0x010301	"Grinding disc driver error, contact service if error persists!"	Internal error in the variable frequency drive.	
0x010301 - 0x010376			
0x010302	"Input voltage is too low!"		
0x010307	"Temperature in machine is too high!"		
0x01030F			
0x010317	"Motor overload, contact service if problem persists!"		
0x010318			
0x010319	"Grinding disc driver error, contact service if error persists!"		
0x01034A			
0x01034B	"Temperature in machine is too high!"		
0x01034C			
0x01035D	"Motor overload, contact service if problem persists!"		
0x010400			General error.
0x010401 - 0x010474	"Planetary head driver error, contact service if error persists!"		Internal error in the variable frequency drive.
0x010402	"Input voltage is too low!"		
0x01040F	"Temperature in machine is too high!"		
0x010407			
0x01044B			
0x020228	"Remote control battery needs to be replaced!"	The battery charge time is out.	
0x020424	"Machine or remote control needs software update, contact service!"	No connection between the remote control and the product.	
0x020441	"The clock has stopped, please correct it if necessary."	The remote control clock does not show the correct time.	

# Transportation, storage and disposal

## Transportation



**WARNING:** Be careful during transportation. The product is heavy and can cause injury or damage if it falls or moves during transportation.

The wheels let you move the product shorter distances. For longer distances, lift the product to move it or put the product on a vehicle.

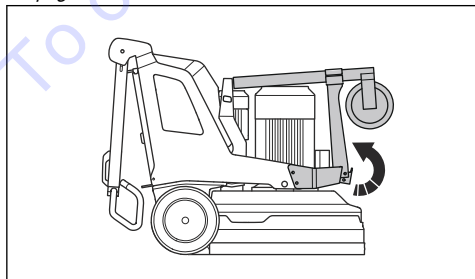


**CAUTION:** Do not tow the product behind a vehicle.

- Be very careful when you move the product manually or on surfaces with a slope. Small slopes can result in a fast movement that is not possible to brake by hand.
- Safely the product during transportation. Make sure that it cannot move.
- Put some type of protection on the product during transportation. The protection keeps natural elements such as rain and snow away from the product.
- Always use the lifting eye on the product when you lift the product.
- Do not lift the product by the handlebar, motor, chassis or other parts.
- Transportation is best done on a pallet.
- Always lift the product with a lift or forklift.
- Do not use a forklift if the product is not put on a pallet or carriage. This can cause damage to the grinding discs and other internal components.
- During transportation, the grinding head must be on the ground. To prevent damage to the lock mechanism of the tool plates, keep the tool plates installed.

## To set the product in transport position

- Lift the support wheel. Refer to *To set the support wheel in position for short distance transportation on page 42.*



- Fold down the handle. Refer to *To adjust the handle and the handlebar on page 18.*
- If the weights are attached to the product, adjust the weights to forward position. Refer to *To adjust the weights on page 32.*
- Make sure that the grinding head touches the surface.

## Support wheel

The support wheel lifts the grinding head a small distance from the ground to make short distance transportation easier.

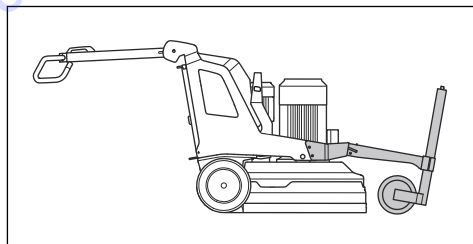


**CAUTION:** Use the support wheel only to move the product short distances. The support wheel must only be used in the work area or on and off a transportation vehicle.

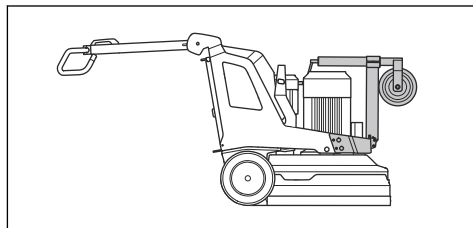


**WARNING:** Be careful when you install, remove or adjust the support wheel. The moving parts can cause injury.

- Support wheel position for transportation short distances. Refer to *To set the support wheel in position for short distance transportation on page 42.*

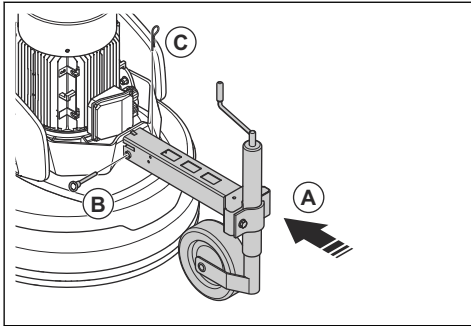


- Support wheel position for operation and long distance transportation of the product. Refer to *To set the support wheel in operation position on page 42.*



## To set the support wheel in position for short distance transportation

1. Put the support wheel frame (A) against the product frame.

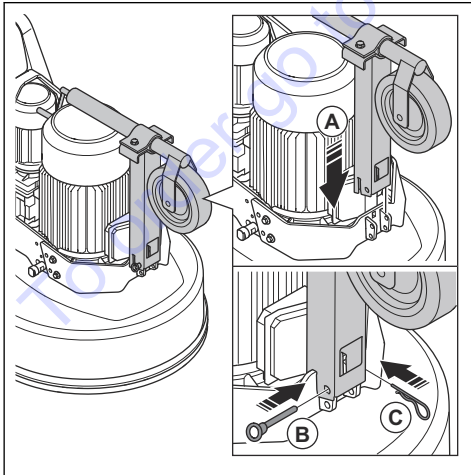


- a) If it is necessary, loosen the screw at the front of the support wheel frame to loosen the wheel. This makes it possible to put the support wheel frame at the correct angle against the product frame.
2. Push the support wheel pin (B) into the support wheel and lock the support wheel pin with the cotter pin (C).
  3. Remove the support wheel in the opposite sequence.

## To set the support wheel in operation position

The operation position is also used for long distance transportation.

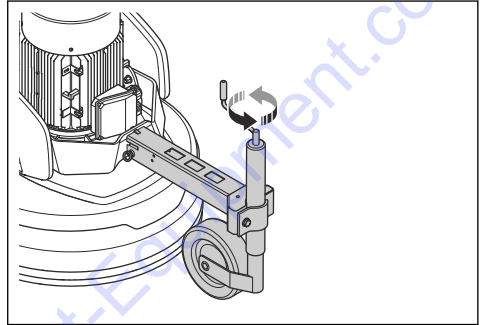
1. Put the support wheel to vertical position.
2. Lower the support wheel against the product frame (A).



3. Push the support wheel pin (B) into the support wheel and lock the support wheel pin with the cotter pin (C).
4. Remove the support wheel in the opposite sequence.

## To adjust the height of the support wheel

1. Set the support wheel in position for short transportation distances. Refer to *To set the support wheel in position for short distance transportation on page 42*.
2. Turn the handle at the front of the support wheel to lift or lower the support wheel.



## To move the product with the support wheel

1. Set the support wheel in position for transportation short distances. Refer to *To set the support wheel in position for short distance transportation on page 42*.
2. Lower the support wheel to lift the grinding head from the ground. Refer to *To adjust the height of the support wheel on page 42*.
3. Move the product manually or with the remote control.

## To move the product up and down a ramp



**WARNING:** Be very careful when you move the product up and down ramps with the motor on. The product is heavy and there is a risk of injury if the product falls or moves too quickly.



**WARNING:** For ramps with a steep slope, always use a winch. Do not walk or stay below the product. Do not stay in the product risk area. Refer to *Work area safety on page 10*.



**WARNING:** Do not move the product up and down a ramp when the remote control battery has a low state of charge. The product can suddenly get power failure.



**WARNING:** Do not move the product on steep slopes. Look at the rating plate on the product for information about the maximum slope angle.

- To move the product down a ramp, operate the product rearward slowly.
- To move the product up a ramp, operate the product forward slowly.
- Do not turn the product more than 45° on a ramp.

## To lift the product



**WARNING:** Make sure that the lifting equipment has the correct specification to lift the product safely. The rating plate on the product shows the product weight.

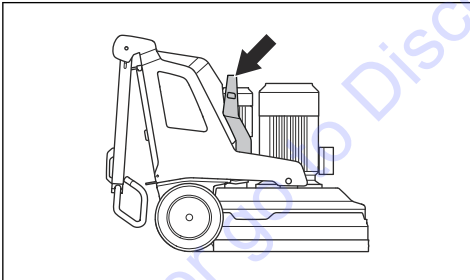


**WARNING:** Do not walk or stay below or near a lifted product. Keep bystanders away from the risk area. Refer to *Work area safety on page 10*.



**WARNING:** Do not lift a damaged product. Make sure that the lifting eye is correctly installed and not damaged.

1. Set the product in transport position. Refer to *To set the product in transport position on page 41*.
2. Attach the lifting equipment at the lifting eye.



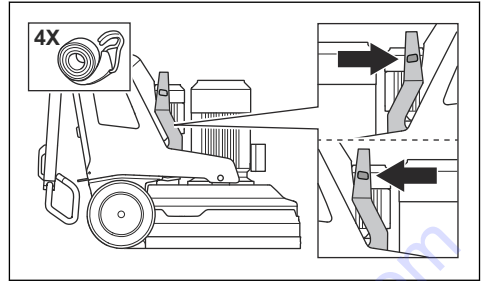
## To attach the product to a transportation vehicle



**CAUTION:** Do not use the support wheel to attach the product. The support wheel is not sufficiently stable and can be damaged.

The product has holes that are used with tie-down straps to attach the product to the transportation vehicle.

1. Attach the tie-down straps in the holes.



2. Attach and tighten the tie-down straps to the vehicle.

## Storage



**CAUTION:** Do not put the product in storage outdoors. Always keep the product indoors.

- Keep the product in a dry and frost free area.
- Clean the product and do a complete servicing before you put the product in storage.
- Lift the support wheel. The grinding head must be on the ground.
- Keep the product in a locked area to prevent access for children or persons that are not approved.
- Keep the battery charger in a dry and frost free area.
- Remove the remote control battery from the remote control when the product is in storage for more than 6 months.
- Charge the product battery each 6 months when the product is in long-term storage.

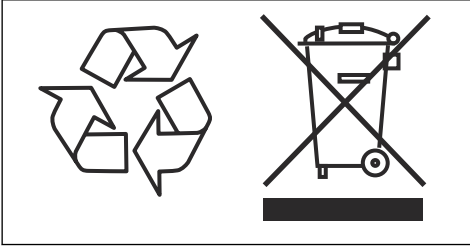
## Disposal

Symbols on the product or the packaging of the product indicate that this product cannot be handled as domestic waste. It must be submitted to an appropriate recycling station for the recovery of electrical and electronic equipment.

Make sure to disconnect the product from the supply mains and remove the batteries from the remote control before submitting to an appropriate recycling station. Make sure to inform the recycling station that the product contains a lithium ion battery inside. Submit the batteries to an appropriate recycling station.

By ensuring that this product is taken care of correctly, you can help to counteract the potential negative impact on the environment and people that can otherwise result through the incorrect waste management of this product. For more detailed information about recycling this product, contact your municipality, your domestic waste

service or the shop from where you purchased the product.



To order go to [Discount-Equipment.com](http://Discount-Equipment.com)

## Technical data

### Technical data

	<b>PG 690</b> <b>3x380-415 V</b>	<b>PG 690 RC</b> <b>3x380-415 V</b>	<b>PG 830</b> <b>3x380-415 V</b>	<b>PG 830 RC</b> <b>3x380-415 V</b>
Motor power, kW/hp	12.5/17	12.5/17	16.5/22	16.5/22
Rated current, A	30	30	30	30
Rated voltage, V	380-415	380-415	380-415	380-415
Phases	3-phase	3-phase	3-phase	3-phase
Frequency, Hz	50-60	50-60	50-60	50-60
Weight, kg/lbs	502/1107	598/1318	556/1226	652/1437
Grinding width, mm/in.	630/24.8	630/24.8	800/31.5	800/31.5
Grinding disc, mm/in.	3x270/10.5	3x270/10.5	3x270/10.5	3x270/10.5
Grinding pressure, kg/lbs	228/503	242/534	288/635	302/666
Grinding pressure with support wheel, kg/lbs	265/584	279/615	325/717	339/747
Weight in position 1 (forward), kg/lbs	292/644	307/677	348/767	362/798
Weight in position 1 (forward) with support wheel, kg/lbs	329/725	343/756	385/849	399/880
Weight in position 2 (vertical), kg/lbs	227/500	237/522	299/659	313/690
Weight in position 2 (vertical) with support wheel, kg/lbs	264/582	273/602	336/741	350/772
Weight in position 3 (rearward), kg/lbs	185/408	198/437	245/540	259/571
Weight in position 3 (rearward) with support wheel, kg/lbs	221/487	235/518	282/622	296/653
Grinding disc speed, min/max rpm	441-1470	441-1470	421-1403	421-1403
Grinding head speed, min/max rpm	10-57	10-57	9-47	9-47
Direction of rotation	Independent direction of rotation CW/CCW for grinding discs and grinding head.			
Max. gradient, degrees °	10	10	10	10
Enclosure, IP	54	54	54	54
Type of battery	-	Li-ion	-	Li-ion
<b>Recommended dust extractor<sup>1</sup></b>				

<sup>1</sup> Technical data for dust extractors are not conclusively describing actual performance over time between different dust extractors.

	<b>PG 690</b> <b>3x380-415 V</b>	<b>PG 690 RC</b> <b>3x380-415 V</b>	<b>PG 830</b> <b>3x380-415 V</b>	<b>PG 830 RC</b> <b>3x380-415 V</b>
Dust extractor attachment, mm/in.	76/3	76/3	76/3	76/3
Min. Air flow, m <sup>3</sup> /h /CFM	600/353	600/353	815/480	815/480
Min. Vacuum, kPa/psi	28/4.1	28/4.1	30/4.4	30/4.4
<b>Bluetooth® Low Energy technology radio spectrum<sup>2</sup></b>				
Frequency bands for the tool, GHz	-	2.402-2.480	-	2.402-2.480
Maximum radio frequency power transmitted, dBm/mW	-	4/2.5	-	4/2.5

## Radio frequency data

	<b>PG 690 RC</b>	<b>PG 830 RC</b>
Maximum radio frequency power transmitted, dBm	Less than 10	Less than 10

## Sound levels

	<b>PG 690</b>	<b>PG 690 RC</b>	<b>PG 830</b>	<b>PG 830 RC</b>
<b>Noise emissions<sup>3</sup></b>				
Sound power level, measured L <sub>W</sub> (dB(A))	93.7	93.7	95.4	95.4
<b>Sound levels<sup>4</sup></b>				
Sound pressure level at the operators ear, L <sub>p</sub> (dB(A))	77.9	77.9	78.7	78.7
<b>Vibration levels<sup>5</sup></b>				
Handle right, m/s <sup>2</sup>	2.2	2.2	1.7	1.7
Handle left, m/s <sup>2</sup>	2.1	2.1	1.5	1.5

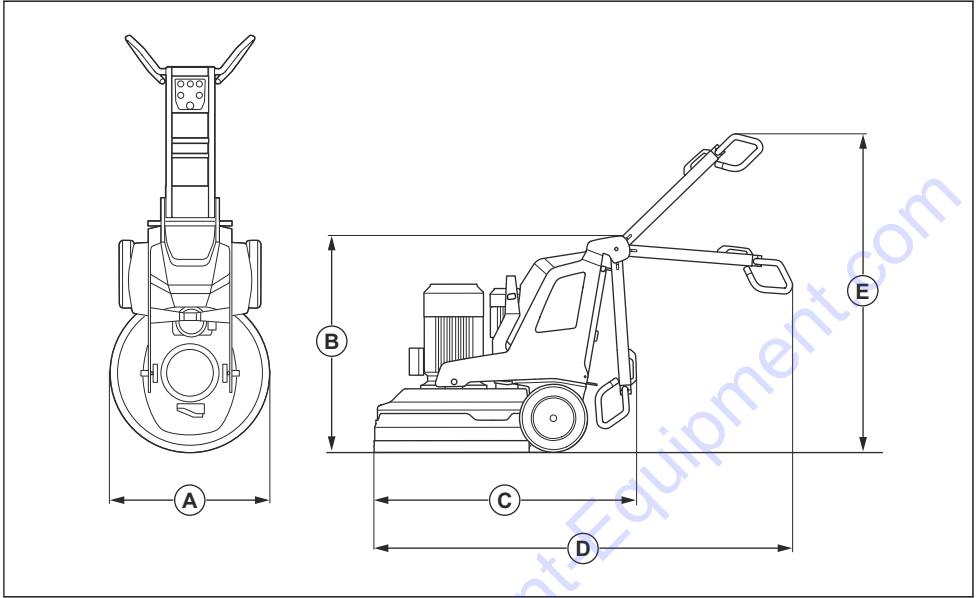
<sup>2</sup> This part is applicable only for product supplied with embedded connectivity.

<sup>3</sup> Noise emission in the environment measured as sound power according to EN 60335-2-72. Expected measurement uncertainty 2,5 dB(A).

<sup>4</sup> Sound pressure level according to EN 60335-2-72. Expected measurement uncertainty 4 dB(A).

<sup>5</sup> Vibration level according to EN 60335-1 and EN 60335-2-72. Reported data for vibration level has a typical statistical dispersion (standard deviation) of 1 m/s<sup>2</sup>. The vibration values are valid for manual operation.

## Product dimensions



		PG 690	PG 690 RC	PG 830	PG 830 RC
<b>A</b>	Width, mm/in.	670/26.4	670/26.4	830/32.7	830/32.7
<b>B</b>	Min. total height (handle folded), mm/in.	1150/45.3	1155/45.5	1145/45.1	1155/45.5
<b>C</b>	Min. total length (handle folded), mm/in.	1300/51.2	1320/52	1550/61	1410/55.5
<b>D</b>	Max. total length (handle extended), mm/in.	2065/81.3	2077/81.8	2215/87.2	2165/85.2
<b>E</b>	Max. total height (handle extended), mm/in.	1755/69.1	1715/67.5	1700/66.9	1715/67.5



---

## EC Declaration of Conformity

---

### EC Declaration of Conformity

Description	Polish & Grind Equipment
Brand	Husqvarna
Type/Model	PG 690, PG 830
Identification	Serial numbers dating from 2019 and onwards

complies fully with the following EU directives and regulations:

Directive/Regulation	Description
2006/42/EC	"relating to machinery"

and that harmonized standards and/or technical specifications are applied as follows;

EN ISO 12100:2010

EN 60335-1:2012/A11:2014/AC:2014

EN 60335-2-72:2012

Partille, 2019-10-17

---

## EC Declaration of Conformity

---

### EC Declaration of Conformity

Description	Polish & Grind Equipment
Brand	Husqvarna
Type/Model	PG 690 RC, PG 830 RC
Identification	Serial numbers dating from 2019 and onwards

complies fully with the following EU directives and regulations:

Directive/Regulation	Description
2006/42/EC	"relating to machinery"
2014/53/EU	"relating to radio equipment"

and that harmonized standards and/or technical specifications are applied as follows;

EN ISO 12100:2010

EN 60335-1:2012/A11:2014/AC:2014

EN 60335-2-72:2012

EN IEC 61000-6-2:2019

EN 61000-6-4:2007+A1:2011

ETSI EN 301 489-1 V2.2.0

ETSI EN 301 489-17 V3.2.0

ETSI EN 300 328 V2.1.1

Partille, 2019-10-17

**TO PURCHASE THIS PRODUCT PLEASE CONTACT US**



**Equipment Financing and  
Extended Warranties Available**



**Discount-Equipment.com is your online resource for  
commercial and industrial quality parts and equipment sales.**

**561-964-4949**

**visit us on line @ [www.discount-equipment.com](http://www.discount-equipment.com)**

Select an option below to find your Equipment

**Search by Manufacturer**

**Search by Product Type**

**Request a Quote**

We sell worldwide for the brands: Genie, Terex, JLG, MultiQuip, Mikasa, Essick, Whiteman, Mayco, Toro Stone, Diamond Products, Generac Magnum, Airman, Haulotte, Barreto, Power Blanket, Nifty Lift, Atlas Copco, Chicago Pneumatic, Allmand, Miller Curber, Skyjack, Lull, Skytrak, Tsurumi, Husquvarna Target, Stow, Wacker, Sakai, Mi-T-M, Sullair, Basic, Dynapac, MBW, Weber, Bartell, Bennar Newman, Haulotte, Ditch Runner, Menegotti, Morrison, Contec, Buddy, Crown, Edco, Wyco, Bomag, Laymor, EZ Trench, Bil-Jax, F.S. Curtis, Gehl Pavers, Heli, Honda, ICS/PowerGrit, IHI, Partner, Imer, Clipper, MMD, Koshin, Rice, CH&E, General Equipment, Amida, Coleman, NAC, Gradall, Square Shooter, Kent, Stanley, Tamco, Toku, Hatz, Kohler, Robin, Wisconsin, Northrock, Oztec, Toker TK, Rol-Air, APT, Wylie, Ingersoll Rand / Doosan, Innovatech, Con X, Ammann, Mecalac, Makinex, Smith Surface Prep, Small Line, Wanco, Yanmar

# Inhalt

Einleitung.....	50	Fehlerbehebung.....	87
Sicherheit.....	56	Transport, Lagerung und Entsorgung.....	90
Betrieb.....	63	Technische Daten.....	95
Wartung.....	82	EU-Konformitätserklärung.....	98

# Einleitung

## Gerätebeschreibung

Das Gerät ist ein Bodenschleifer für Oberflächen unterschiedlicher Härte.

Die Modelle PG 690 RC, PG 830 RC können mit einer Fernbedienung gesteuert werden.

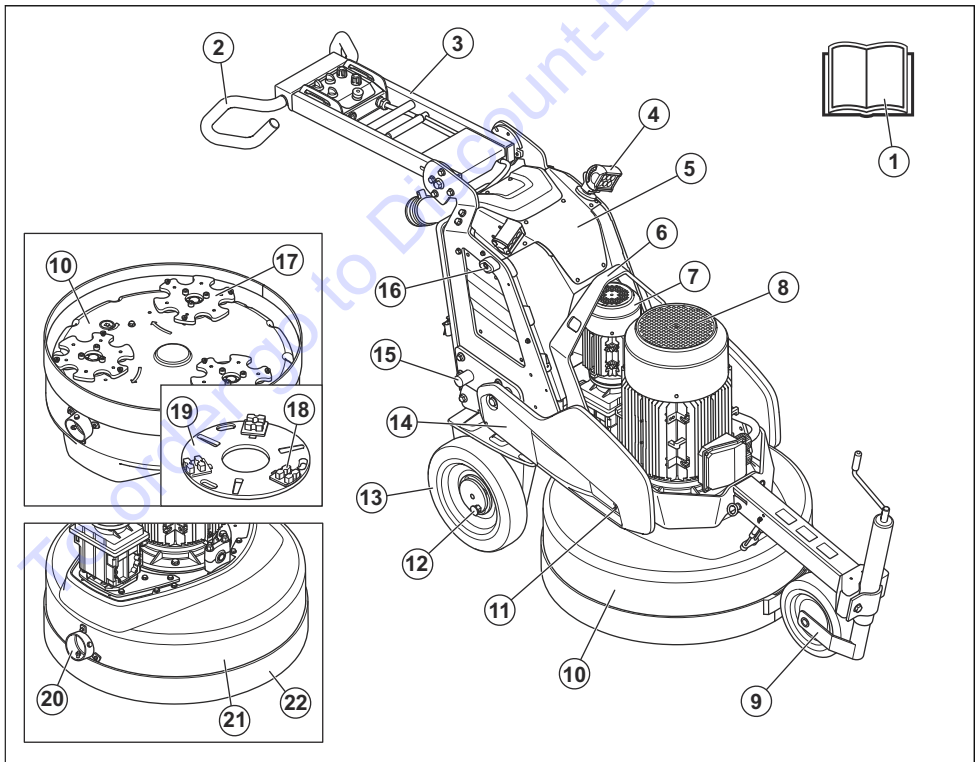
## Verwendungszweck

Das Gerät wird zum Schleifen von Oberflächen von Materialien mit unterschiedlichen Härten wie Naturstein,

Terrazzo und Beton verwendet. Sie können das Gerät auch zum Schleifen von Abdeckmaterialien wie Epoxidharz und Klebstoff verwenden. Die Oberfläche kann rau oder glatt sein. Das Gerät kann zum Trocken- und Nassschleifen verwendet werden. Verwenden Sie das Gerät nicht für andere Aufgaben.

Das Gerät ist für den gewerblichen Betrieb und für professionelle Bediener vorgesehen.

## Geräteübersicht, rechte Seite

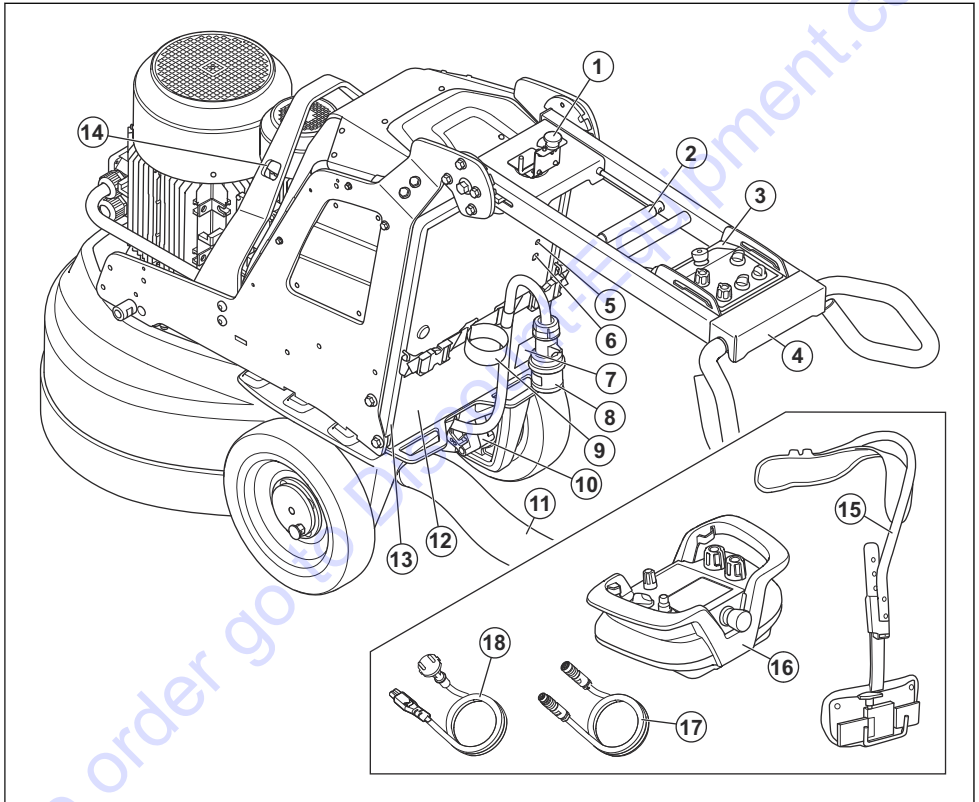


1. Bedienungsanleitung

2. Lenker

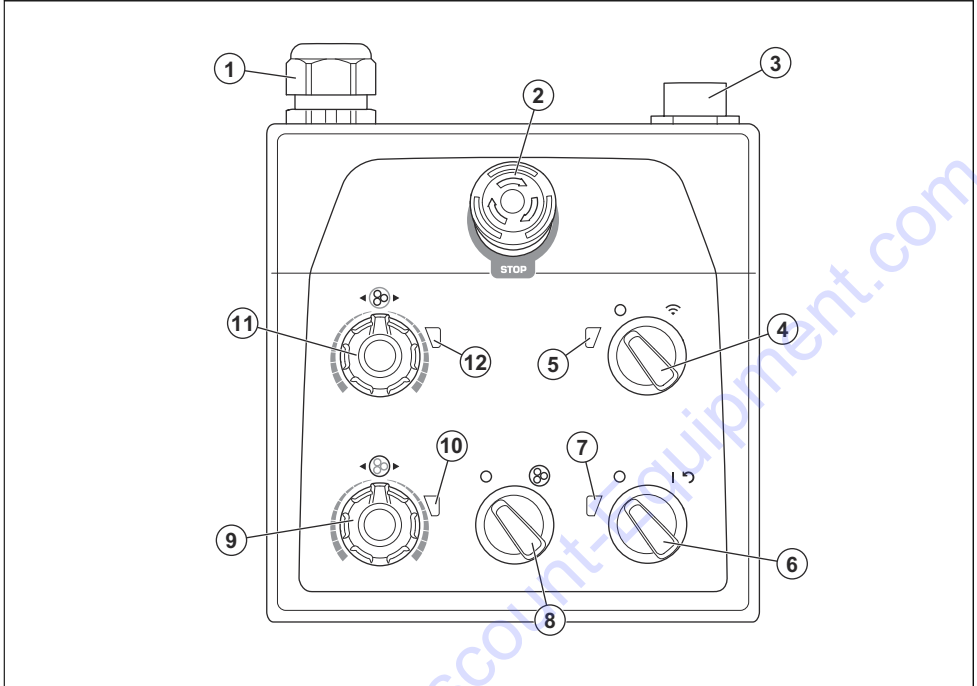
- |                           |                                 |
|---------------------------|---------------------------------|
| 3. Griff                  | 13. Rad                         |
| 4. Scheinwerfer (Zubehör) | 14. Gewichte Zubehör            |
| 5. Schaltkasten           | 15. Gewichtsträger              |
| 6. Huböse                 | 16. Gewichtshalterung           |
| 7. Schleifkopfmotor       | 17. Schleifscheibe              |
| 8. Schleifscheibenmotor   | 18. Diamantwerkzeug (Zubehör)   |
| 9. Stützrad               | 19. Werkzeugplatte              |
| 10. Schleifkopf           | 20. Anschluss für Staubabsauger |
| 11. Gewichtsverriegelung  | 21. Gehäuse                     |
| 12. Sperrstift für Rad    | 22. Staubschürze                |

## Geräteübersicht, linke Seite



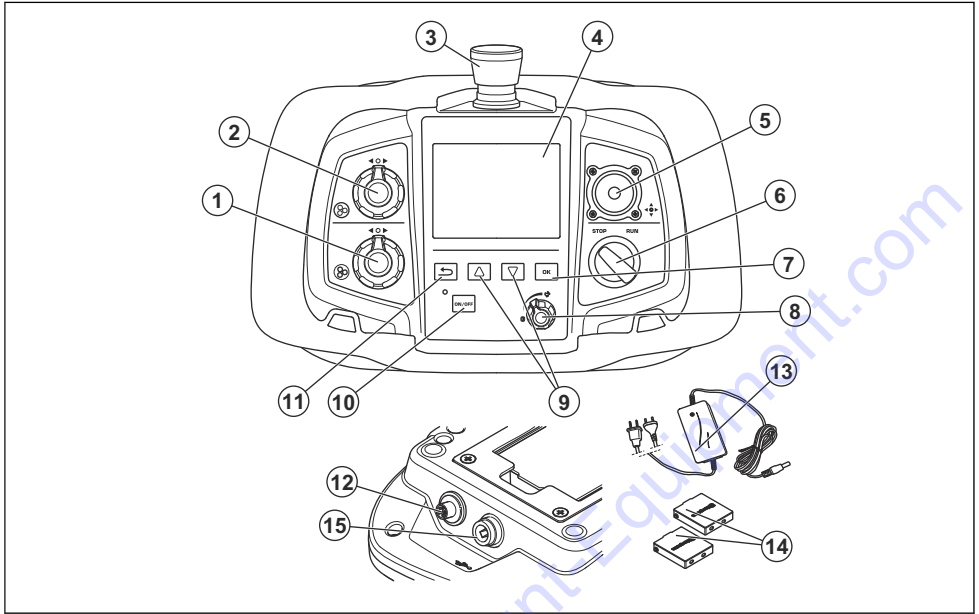
- |  |  |
|--|--|
| 1. PG 690 RC, PG 830 RC: Fernbedienungshalterung         | 9. Aufhängevorrichtung für Staubabsaugerschlauch und Netzkabel |
| 2. Verriegelungshebel für die Griffeneinstellung         | 10. Radmotor   |
| 3. Bedienfeld  | 11. Anschluss für Staubabsauger                                |
| 4. Schrauben zur Lenkereinstellung                       | 12. Tür zum Schaltkasten                                       |
| 5. Anschluss für das Ladegerät                           | 13. Tragrahmen   |
| 6. PG 690 RC, PG 830 RC: Anschluss für das CAN-Bus-Kabel | 14. Löcher für Gurte   |
| 7. Typenschild   | 15. PG 690 RC, PG 830 RC: Tragevorrichtung für Fernbedienung   |
| 8. Netzkabel   | 16. PG 690 RC, PG 830 RC: Fernbedienung                        |

## Überblick über das Bedienfeld



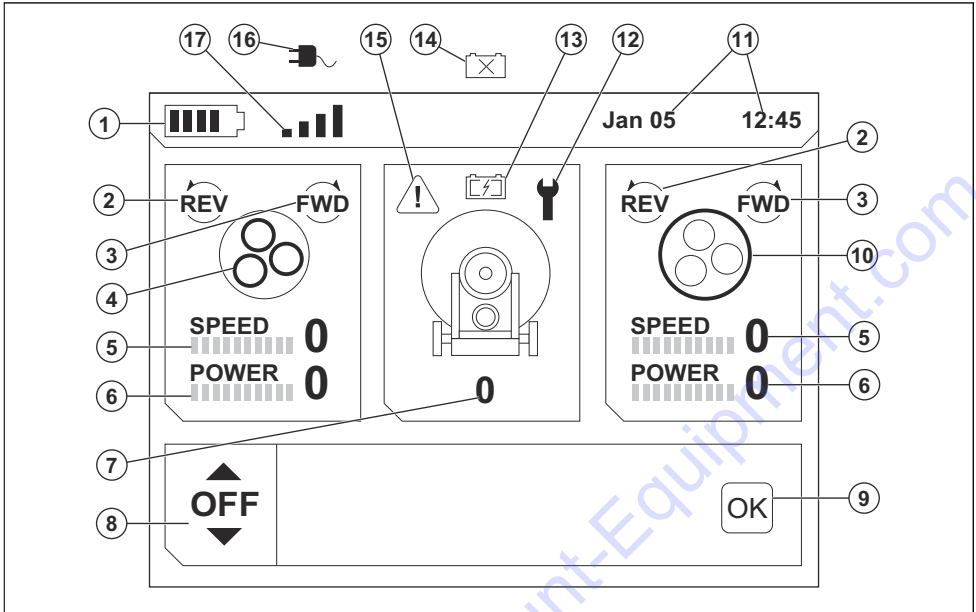
- |   |   |
|---|---|
| 1. Kabelanschluss   | 7. Anzeige für die Leistung und den Ladezustand des Geräteakkus     |
| 2. Not-Aus-Taste  | 8. START/STOPP-Schalter   |
| 3. USB-Ladegerät  | 9. Regler für Rotationsrichtung und Geschwindigkeit, Schleifscheibe |
| 4. PG 690 RC, PG 830 RC: Schalter zur Auswahl zwischen Bedienung mit der Fernbedienung oder manueller Bedienung | 10. Anzeige für die Schleifscheibe                                  |
| 5. PG 690 RC, PG 830 RC: Anzeige für den Fernbedienungsmodus  | 11. Regler für Rotationsrichtung und Geschwindigkeit, Schleifkopf   |
| 6. EIN/AUS-Schalter   | 12. Anzeige für den Schleifkopf                                     |

## Übersicht über die Fernbedienung (PG 690 RC, PG 830 RC)



- |   |  |
|---|--|
| 1. Regler für Rotationsrichtung und Geschwindigkeit, Schleifscheibe | 8. Geschwindigkeitsbegrenzungsregler             |
| 2. Regler für Rotationsrichtung und Geschwindigkeit, Schleifkopf    | 9. Pfeiltasten zum Blättern in den Menüs         |
| 3. Not-Aus-Taste  | 10. ON/OFF-Taste                                 |
| 4. Display  | 11. Taste zum Zurückgehen in der Menüstruktur    |
| 5. Joystick   | 12. Anschluss für das CAN-Buskabel               |
| 6. START/STOPP-Taste, Schleifkopf                                   | 13. Akkuladegerät für den Akku der Fernbedienung |
| 7. Taste „OK“   | 14. Akkus der Fernbedienung                      |
|   | 15. Ladeanschluss für Akkuladegerät              |

## Übersicht über das Display



1. Akkuladestand der Fernbedienung
2. Rotationsrichtung gegen den Uhrzeigersinn beim zugehörigen Schleifmaschinenmotor
3. Rotationsrichtung im Uhrzeigersinn beim zugehörigen Schleifmaschinenmotor
4. Schleifscheiben
5. Drehzahlanzeige des zugehörigen Schleifmaschinenmotors
6. Lastanzeige des zugehörigen Schleifmaschinenmotors
7. Anzeige der Gerätegeschwindigkeit
8. Menü „Funktionen“
9. OK-Taste
10. Schleifkopf
11. Zeit und Datum
12. Wartungsanzeige
13. Akkuanzeige des Geräts: Akku wird geladen
14. Akkuanzeige des Geräts: Akku fehlt oder ist beschädigt
15. Warnanzeige. Siehe *Fehler- und Warnmeldungen auf der Fernbedienung auf Seite 88*.
16. Die Fernbedienung wird mit einem angeschlossenen CAN-Bus-Kabel bedient
17. Die Fernbedienung wird über Funk bedient, ohne dass ein CAN-Bus-Kabel angeschlossen ist

## Symbole auf dem Gerät



**WARNUNG:** Dieses Gerät kann gefährlich sein und schwere oder tödliche Verletzungen des Bedieners oder anderer Personen verursachen. Gehen Sie vorsichtig vor, und verwenden Sie das Gerät ordnungsgemäß.



Lesen Sie die Betriebsanleitung sorgfältig durch, und machen Sie sich mit den Anweisungen vertraut, bevor Sie das Gerät verwenden.



Tragen Sie Gehörschutz, Augenschutz und Atemschutz. Siehe *Persönliche Schutzausrüstung auf Seite 58*.



Der Staub kann zu gesundheitlichen Problemen führen. Tragen Sie einen zugelassenen Atemschutz. Sorgen Sie immer für eine gute Luftzirkulation.



Heben Sie das Gerät immer an der Huböse an.





Verwenden Sie die Löcher für Zurrgurte, um das Gerät an einem Transportfahrzeug zu befestigen.



Doppelte Isolierung, Akku und Akkuladegerät.



Verwenden und lagern Sie das Ladegerät nur in Innenräumen.



Das Gerät ist kein Hausmüll. Recyceln Sie es an einer offiziellen Recyclingstation für elektrische und elektronische Geräte.



Dieses Gerät entspricht den geltenden EG-Richtlinien.

**Hinweis:** Sonstige Symbole/Aufkleber am Gerät beziehen sich auf besondere Zertifizierungsanforderungen, die in bestimmten Ländern gelten.

## Symbole auf dem Bedienfeld und der Fernbedienung



Not-Aus.



Betriebsfunktionen der Fernbedienung aktiviert.



Gerät eingeschaltet und Zurücksetzen des Geräts.



Schleifkopf eingeschaltet.



Drehzahl und Rotationsrichtung, Schleifkopf.



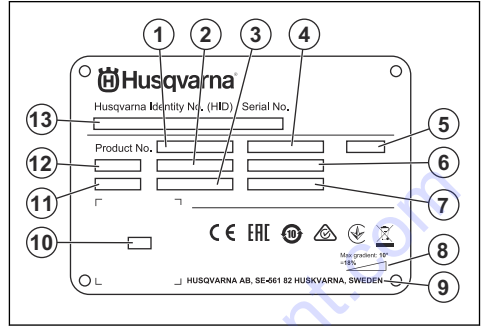
Drehzahl und Rotationsrichtung, Schleifscheibe.



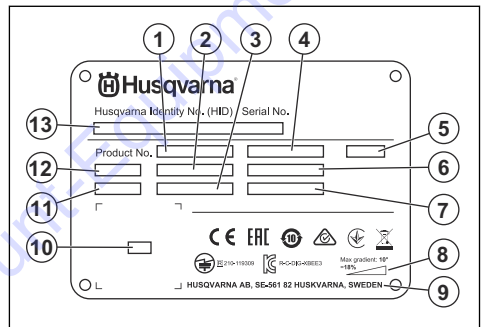
Maximale Geschwindigkeit.

## Typenschild

PG 690, PG 830:



PG 690 RC, PG 830 RC:



1. Gerätenummer
2. Gerätegewicht
3. Nennleistung
4. Nennspannung
5. Gehäuse
6. Nennstrom
7. Frequenz
8. Maximaler Neigungswinkel
9. Hersteller
10. Scanbarer Code
11. Produktionsjahr
12. Modell
13. Seriennummer

## Produkthaftung

Im Sinne der Produkthaftungsgesetze übernehmen wir keine Haftung für Schäden, die unser Gerät verursacht, wenn...

- das Gerät nicht ordnungsgemäß repariert wird.
- das Gerät mit Teilen repariert wird, die nicht vom Hersteller stammen oder nicht vom Hersteller zugelassen sind.

- ein Zubehörteil mit dem Gerät verwendet wird, das nicht vom Hersteller stammt oder nicht vom Hersteller zugelassen ist.
- das Gerät nicht bei einem zugelassenen Service Center oder von einem zugelassenen Fachmann repariert wird.

## Husqvarna Fleet Services™

Husqvarna Fleet Services™ ist eine Cloud-Lösung, die dem Bediener einen Überblick über alle angeschlossenen Geräte gibt. Dieses Gerät ist mit einem Husqvarna Fleet Services™-Sensor mit Bluetooth® Low Energy (BLE) ausgestattet. Der Husqvarna Fleet Services™-Sensor sammelt Gerätedaten und ermöglicht eine Verbindung zum Husqvarna Fleet Services™-System. Der Husqvarna Fleet Services™-Sensor übermittelt Daten wie die Betriebszeit, Wartungsintervalle und den Standort des Geräts. Die BLE-Technologie wird mit 2,400 bis 2,4835 GHz betrieben.

Weitere Informationen über Husqvarna Fleet Services™ erhalten Sie, wenn Sie die Husqvarna Fleet Services™-App herunterladen oder mit Ihrem Vertreter von Husqvarna sprechen.

### Bluetooth® Low Energy (BLE)-Modul

Auf zugelassenen Märkten verfügt das Gerät über ein BLE-Modul, das mit dem Husqvarna Fleet Services™-System verbunden ist. Das BLE-Modul sammelt und überträgt Gerätedaten, die im Husqvarna Fleet Services™-System verwendet werden. Zu diesen Daten gehören die Betriebszeit, Wartungsintervalle und der Standort des Geräts.

#### So richten Sie die integrierte Konnektivität ein

1. Laden Sie die Husqvarna Fleet Services™-App auf ein Mobilgerät.
2. Schließen Sie das Gerät an eine Stromquelle an, um das BLE-Modul in Betrieb zu nehmen.
3. Fügen Sie das Gerät Ihrem Konto hinzu. Verwenden Sie die Husqvarna Fleet Services™-App.
4. Befolgen Sie die Anweisungen in der Husqvarna Fleet Services™ App.

**Hinweis:** Das Mobilgerät mit eingeschaltetem Fleet muss sich in der Nähe des Geräts befinden, um eine Verbindung herstellen zu können.

**Hinweis:** Die Bluetooth®-Funkverbindung wird beim ersten Anschluss an eine Stromquelle aktiviert und bleibt dann eingeschaltet.

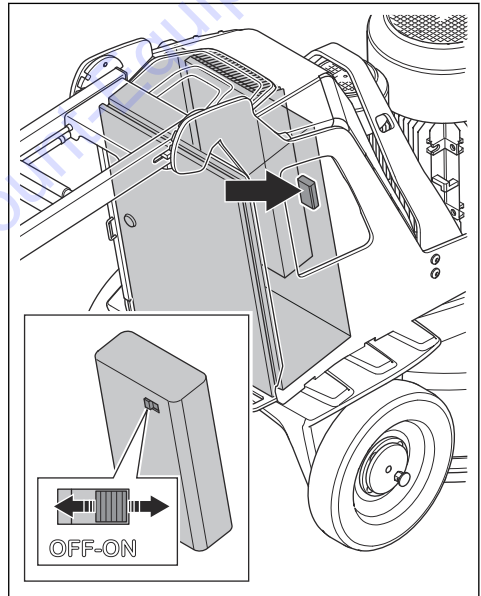


**WARNUNG:** Hochspannung. Das Antriebsaggregat enthält ungeschützte Teile. Trennen Sie immer den Netzstecker, bevor Sie die Klappe des Schaltkastens öffnen.

#### So bringen Sie das Gerät in den Flugmodus

Wenn sich das Gerät im Flugmodus befindet, wird das BLE-Modul deaktiviert und überträgt keine Gerätedaten mehr.

- Bewegen Sie den Schalter des Akkupacks in die Stellung OFF (Aus).



## Sicherheit

### Sicherheitsdefinitionen

Warnungen, Vorsichtsmaßnahmen und Hinweise werden verwendet, um auf besonders wichtige Teile der Bedienungsanleitung hinzuweisen.



**WARNUNG:** Wird verwendet, wenn bei Nichtbeachtung der Anweisungen in diesem Handbuch die Gefahr von Verletzung oder Tod des Bedieners oder anderer Personen besteht.



**ACHTUNG:** Wird verwendet, wenn bei Nichtbeachtung der Anweisungen in diesem Handbuch die Gefahr von Schäden am Gerät, an anderen Materialien oder in der Umgebung besteht.

**Hinweis:** Für weitere Informationen, die in bestimmten Situationen nötig sind.

## Allgemeine Sicherheitshinweise



**WARNUNG:** Lesen Sie die folgenden Warnhinweise, bevor Sie das Gerät benutzen.

- Dieses Gerät ist ein gefährliches Werkzeug, wenn Sie nicht aufpassen oder es unsachgemäß verwenden. Dieses Gerät kann schwere oder tödliche Verletzungen des Bedieners oder anderer Personen verursachen. Es ist sehr wichtig, dass Sie vor der Anwendung des Geräts den Inhalt dieser Bedienungsanleitung gelesen und verstanden haben.
- Bewahren Sie alle Warn- und Sicherheitshinweise auf.
- Halten Sie alle geltenden Gesetze und Vorschriften ein.
- Der Bediener und dessen Arbeitgeber müssen die mit dem Betrieb des Geräts verbundenen Gefahren kennen und vermeiden.
- Untersagen Sie allen Personen die Benutzung des Geräts, bis diese den Inhalt der Bedienungsanleitung gelesen und verstanden haben.
- Verwenden Sie das Gerät nicht, ohne vorher dafür geschult worden zu sein. Stellen Sie sicher, dass alle Bediener Schulungen erhalten.
- Lassen Sie nicht zu, dass Kinder das Gerät verwenden.
- Es dürfen nur zugelassene Personen mit dem Gerät arbeiten.
- Der Bediener ist für Unfälle verantwortlich, die anderen Personen zustoßen oder an deren Eigentum entstehen.
- Verwenden Sie das Gerät nicht, wenn Sie müde oder krank sind oder unter Einfluss von Alkohol, Drogen oder Medikamenten stehen.
- Lassen Sie immer Vorsicht walten, und arbeiten Sie mit gesundem Menschenverstand.
- Dieses Gerät erzeugt beim Betrieb ein elektromagnetisches Feld. Dieses Feld kann sich unter bestimmten Bedingungen auf die Funktionsweise aktiver oder passiver medizinischer Implantate auswirken. Um die Gefahr von Situationen, die zu schweren oder tödlichen Verletzungen führen können, zu verringern, sollten Personen mit einem medizinischen Implantat vor der

Nutzung dieses Gerätes mit ihrem Arzt und dem Hersteller des Implantats sprechen.

- Halten Sie das Gerät sauber. Stellen Sie sicher, dass Symbole und Aufkleber deutlich lesbar sind.
- Verwenden Sie das Gerät nicht, wenn es defekt ist.
- Nehmen Sie keine Modifikationen am Gerät vor.
- Bedienen Sie das Gerät nicht, wenn die Möglichkeit besteht, dass andere Personen Modifikationen daran durchgeführt haben.

## Sicherheitshinweise für den Betrieb



**WARNUNG:** Lesen Sie die folgenden Warnhinweise, bevor Sie das Gerät verwenden.

- Tragen Sie eine persönliche Schutzausrüstung. Siehe *Persönliche Schutzausrüstung auf Seite 58*.
- Entfernen Sie sich nicht vom Gerät, wenn der Motor eingeschaltet ist.
- Trennen Sie immer das Stromkabel, bevor Sie sich vom Gerät entfernen.
- Ziehen Sie nicht am Schlauch des Staubabsaugers. Das Gerät kann herunterfallen und Verletzungen oder Schäden verursachen.
- Der Schleifkopf muss die Oberfläche berühren, wenn Sie das Gerät starten. Dies gilt nicht, wenn Sie den EIN/AUS-Schalter überprüfen.
- Betreiben Sie das Gerät nicht ohne Staubschürze. Die Staubschürze muss zwischen dem Gerät und dem Boden vollständig abdichten.
- Halten Sie Ihre Füße vom CAN-Bus-Kabel und dem Netzkabel fern, um das Risiko von Sturzverletzungen zu verringern.
- Halten Sie sich von Bereichen fern, in denen das Gerät Verletzungen verursachen kann. Das Gerät kann schnell die Position ändern und Sie treffen.
- Wenn das Gerät nicht ordnungsgemäß funktioniert, stoppen Sie die Motoren.
- Achten Sie darauf, dass sich Kleidung, langes Haar und Schmuck nicht in beweglichen Teilen verfangen können.
- Stellen Sie sicher, dass Sie während der Arbeit eine sichere und stabile Position einnehmen.
- Bedienen Sie das Gerät nur dann, wenn Sie bei einem Unfall Hilfe bekommen können.
- Wenn Vibrationen im Gerät auftreten oder es ungewöhnlich laut ist, stoppen Sie es umgehend. Untersuchen Sie das Gerät auf beschädigte Teile. Reparieren Sie Schäden, oder lassen Sie die Reparatur in einer zugelassenen Servicewerkstatt durchführen.
- Eine übermäßige Belastung durch Vibrationen kann bei Personen mit verminderter Durchblutung Kreislauf- oder Nervenschäden verursachen. Suchen Sie einen Arzt auf, wenn Sie an Ihrem Körper Symptome feststellen, die darauf hinweisen, dass Sie zu starken Vibrationen ausgesetzt waren. Zu diesen Symptomen zählen beispielsweise

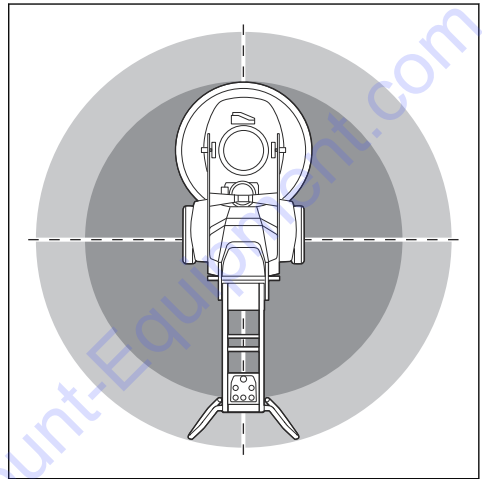
Einschlafen von Körperteilen, Gefühlsverlust, Kitzeln, Stechen, Schmerz, Verlust oder Beeinträchtigung der normalen Körperkraft, Veränderungen der Hautfarbe oder der Hautbeschaffenheit. Diese Beschwerden treten normalerweise in den Fingern, Händen und Handgelenken auf.

- Stellen Sie das Gerät nicht an einem Hang ab. Wenn Sie das Gerät am Hang abstellen müssen, stellen Sie sicher, dass es sich nicht bewegen oder umfallen kann. Es besteht die Gefahr von Verletzungen und Schäden am Gerät.
- Seien Sie sehr vorsichtig, wenn Sie an Hängen arbeiten. Das Gerät ist schwer und kann beim Abrutschen schwere Verletzungen verursachen.
- Bewegen Sie das Gerät nicht an steilen Hängen. Informationen zum maximalen Neigungswinkel finden Sie auf dem Typenschild des Geräts.
- Verwenden Sie immer zugelassenes Zubehör. Ihr Händler steht Ihnen gern für weitere Informationen zur Verfügung.

- Beim Arbeiten mit dem Gerät können Funken entstehen. Vergewissern Sie sich, dass Sie einen Feuerlöscher griffbereit haben.

## Sicherheit im Arbeitsbereich

- Halten Sie während des Betriebs umstehende Personen von dem in der folgenden Abbildung gezeigten Bereich fern. Der Bediener muss in diesem Bereich während des Betriebs sehr vorsichtig sein.



- Stellen Sie sicher, dass sich nur befugte Personen im Arbeitsbereich befinden.
- Verwenden Sie das Gerät nicht bei Nebel, Regen, starkem Wind, kaltem Wetter, Gewittergefahr oder anderen schlechten Wetterbedingungen. Die Verwendung des Geräts bei schlechtem Wetter oder an nassen Stellen kann einen negativen Einfluss auf Ihre Aufmerksamkeit haben. Schlechtes Wetter kann gefährliche Arbeitsbedingungen schaffen.
- Achten Sie auf Personen, Gegenstände und Situationen, die einen sicheren Betrieb des Geräts verhindern könnten.
- PG 690 RC, PG 830 RC: Das Gerät kann im Falle von großen Entfernungen mit einer Fernbedienung bedient werden. Betreiben Sie das Gerät nur, wenn Sie eine klare Sicht auf das Gerät und den Risikobereich haben. Sperren Sie den Arbeitsbereich ab, um mögliche Verletzungen von Umstehenden zu vermeiden.
- Halten Sie den Arbeitsbereich ausreichend beleuchtet.
- Verwenden Sie das Gerät nicht in Bereichen, in denen Feuer oder Explosionen auftreten können.

## Elektrische Sicherheit



**WARNUNG:** Bei elektrisch angetriebenen Geräten besteht immer die Gefahr von elektrischen Schlägen. Verwenden Sie das

## Persönliche Schutzausrüstung



**WARNUNG:** Lesen Sie die folgenden Warnhinweise, bevor Sie das Gerät benutzen.

- Verwenden Sie immer geeignete persönliche Schutzausrüstung bei der Benutzung des Geräts. Das Tragen persönlicher Schutzausrüstung schließt das Risiko von Verletzungen nicht aus. Das Tragen persönlicher Schutzausrüstung verringert das Ausmaß der Verletzungen bei einem Unfall. Lassen Sie sich von Ihrem Händler bei der Auswahl der richtigen Ausrüstung unterstützen.
- Tragen Sie einen zugelassenen Augenschutz beim Arbeiten mit dem Gerät.
- Tragen Sie keine lose, schwere und ungeeignete Kleidung. Tragen Sie Kleidung, in der Sie sich ungehindert bewegen können.
- Verwenden Sie zugelassene Schutzhandschuhe, die einen festen Griff ermöglichen.
- Tragen Sie Schutzhandschuhe aus Gummi, um Hautreizungen durch feuchten Beton vorzubeugen.
- Verwenden Sie einen zugelassenen Schutzhelm.
- Tragen Sie stets einen zugelassenen Gehörschutz beim Arbeiten mit dem Gerät. Lärmbelastung über einen längeren Zeitraum kann zu lärmbedingten Hörschäden führen.
- Das Gerät erzeugt Staub und Dämpfe, die gefährliche Chemikalien enthalten. Verwenden Sie einen zugelassenen Atemschutz.
- Tragen Sie Stiefel mit Stahlkappen und rutschfesten Sohlen.
- Vergewissern Sie sich, dass Sie einen Erste-Hilfe-Kasten griffbereit haben.

Gerät nicht bei schlechtem Wetter. Berühren Sie keine Blitzableiter und Metallgegenstände. Verwenden Sie das Gerät immer gemäß den in diesem Betriebshandbuch hinterlegten Anweisungen, um Verletzungen zu vermeiden.



**WARNUNG:** Verwenden Sie stets eine Stromversorgung mit Fehlerstromgerät (RCD). Durch ein RCD wird das Risiko von Stromschlägen verringert.



**WARNUNG:** Hochspannung. Das Antriebsaggregat enthält ungeschützte Teile. Trennen Sie immer den Netzstecker, bevor Sie die Klappe des Schaltkastens öffnen.



**ACHTUNG:** Die Stromversorgung aus dem Gerät oder vom Generator muss ausreichend und konstant sein, um einen störungsfreien Betrieb des Motors sicherzustellen. Eine falsche Spannung führt dazu, dass der Stromverbrauch und die Temperatur des Motors ansteigen, bis der Sicherheitskreis ausgelöst wird. Die Auslegung des Netzkabels muss mit den nationalen und lokalen Vorschriften übereinstimmen. Die Auslegung der Netzsteckdose muss mit der Stromstärke der Steckdose und des Verlängerungskabels des Geräts übereinstimmen.

Wenn das Stromnetz einen höheren Systemwiderstand aufweist, kann beim

Starten des Geräts die Spannung kurzzeitig abfallen. Dies kann den Betrieb anderer Geräte beeinflussen, z. B. ein Flackern des Lichts verursachen.

- Kontrollieren Sie, ob die Leistung, die Sicherung und die Netzspannung mit dem entsprechenden Spannungswert auf dem Typenschild des Geräts übereinstimmen.
- Schalten Sie das Gerät immer aus, bevor Sie den Netzstecker ziehen.
- Verwenden Sie das Gerät nicht, wenn Kabel oder Stecker beschädigt sind. Übergeben Sie es zur Reparatur an ein autorisiertes Kundendienstzentrum. Ein beschädigtes Netzkabel kann zu schweren und tödlichen Verletzungen führen.
- Verwenden Sie das Netzkabel nach Vorschrift. Verwenden Sie das Netzkabel nicht, um das Gerät zu verschieben, zu ziehen oder von der Netzspannung zu trennen. Ziehen Sie direkt am Stecker, um das Netzkabel abziehen. Ziehen Sie nicht am Netzkabel.
- Betreiben Sie das Gerät nicht in einer Wassertiefe, in der die Ausstattung des Geräts nass wird. Die Ausstattung kann beschädigt werden, und das Gerät kann durch führende Spannung Verletzungen verursachen.
- Achten Sie darauf, dass nicht mehr Feuchtigkeit in das Gerät gelangt, als durch das Wassersystem eingespeist wird. Halten Sie das Gerät von Regen fern. Wasser, das in das Gerät eindringt, erhöht das Risiko eines elektrischen Schlags.
- Achten Sie immer darauf, dass das Netzkabel getrennt ist, wenn Sie den Stecker des Motorkabels und des Schaltkastens ein- oder ausstecken.

#### Richtwerte für die Stromversorgungsquelle

Nennspannung der Stromversorgungsquelle, V	Min. Spannung am Gerät, V	Max. Spannung am Gerät, V	Frequenz, Hz	Nennstrom, A	Motorleistung	Min. Kabelquerschnitt mm <sup>2</sup> /AWG	Max. Kabellänge m/ft
PG 690 3x220	200	240	50/60	50	11+1,5	10/7	190/620
PG 690 3x400/440/480	380	480	50/60	30	11+1,5	6/9	190/620
PG 830 3x220	200	240	50/60	50	11+1,5	10/7	190/620
PG 830 3x400/440/480	380	480	50/60	30	15+1,5	6/9	190/620

## Anweisungen für geerdete Geräte



**WARNUNG:** Ein falscher Anschluss kann zu einem Stromschlag führen. Wenden Sie sich an einen qualifizierten Elektriker, wenn Sie Zweifel daran haben, ob das Gerät richtig geerdet ist.

Nehmen Sie keine Modifikationen am Netzstecker vor. Dieser muss den Werksspezifikationen entsprechen. Beauftragen Sie einen qualifizierten Elektriker mit dem Anschluss einer geeigneten Steckdose, wenn der Netzstecker nicht zur Steckdose passt. Beachten Sie die vor Ort geltenden Vorschriften und Gesetze.

Wenden Sie sich an einen qualifizierten Elektriker, wenn Sie die Anweisungen hinsichtlich des geerdeten Geräts nicht vollständig verstehen.

Das Gerät verfügt über ein geerdetes Netzkabel und einen Netzstecker. Schließen Sie das Gerät immer an eine geerdete Steckdose an. Dadurch verringert sich die Gefahr eines elektrischen Schlags, wenn eine Störung vorliegt.

Verwenden Sie keine elektrischen Adapter am Gerät.

### Verlängerungskabel

- Verwenden Sie nur zugelassene Verlängerungskabel mit ausreichender Länge.
- Der Nennwert auf dem Verlängerungskabel muss dem auf dem Typenschild des Geräts angegebenen Wert entsprechen oder höher sein.
- Verwenden Sie Schuko-Verlängerungskabel.
- Wenn Sie das Gerät im Freien benutzen, verwenden Sie ein für den Außeneinsatz geeignetes Verlängerungskabel. Dadurch wird das Risiko von Stromschlägen verringert.
- Achten Sie darauf, dass die Verbindung mit dem Verlängerungskabel trocken ist und keinen Bodenkontakt hat.
- Halten Sie das Verlängerungskabel fern von Hitzequellen, Öl, scharfen Kanten und beweglichen Teilen. Ein beschädigtes Kabel erhöht das Risiko eines Stromschlags.
- Stellen Sie sicher, dass sich das Verlängerungskabel in einem guten Zustand befindet und unbeschädigt ist.
- Verwenden Sie das Verlängerungskabel nicht im aufgewickelten Zustand. Dies kann dazu führen, dass das Verlängerungskabel zu heiß wird.
- Vergewissern Sie sich, dass sich das Verlängerungskabel hinter Ihnen und dem Gerät befindet, wenn Sie mit dem Gerät arbeiten. Dadurch wird eine Beschädigung des Verlängerungskabels vermieden.

## Sicherer Umgang mit Akkus



**WARNUNG:** Lesen Sie die folgenden Warnhinweise, bevor Sie das Gerät benutzen.

- Verwenden Sie nur die Akkus, die wir für Ihr Gerät empfehlen. Die Akkus verfügen über eine Softwareverschlüsselung.
- Verwenden Sie mit diesem Produkt nur Originalakkus. Es besteht Explosionsgefahr, wenn die Akkus durch Akkus falschen Typs ersetzt werden. Ihr Händler steht Ihnen gern für weitere Informationen zur Verfügung.
- Verwenden Sie als Stromversorgung für die zugehörigen Husqvarna Geräte nur wiederaufladbare Akkus. Um Verletzungen zu vermeiden, verwenden Sie den Akku nicht zur Energieversorgung anderer Geräte.
- Es besteht die Gefahr von elektrischen Schlägen. Verbinden Sie die Akkuklemmen nicht mit Schlüsseln, Schrauben oder anderen metallischen Gegenständen. Dadurch kann es zu einem Kurzschluss des Akkus kommen.
- Wenn aus dem Akku Flüssigkeit austritt, vermeiden Sie Haut- oder Augenkontakt mit dieser. Sollten Sie dennoch mit der Flüssigkeit in Berührung gekommen sein, reinigen Sie den Bereich mit ausreichend Wasser und suchen Sie medizinische Hilfe auf.
- Benutzen Sie keine Akkus, die nicht wiederaufladbar sind.
- Nehmen Sie keine Modifikationen an den Akkus vor.
- Legen Sie keine Gegenstände in die Luftschlitze des Akkus.
- Halten Sie den Akku von direkter Sonneneinstrahlung, Hitze oder offenem Feuer fern. Der Akku kann explodieren und Verbrennungen und/oder chemische Verbrennungen verursachen.
- Halten Sie den Akku von Regen und Feuchtigkeit fern.
- Halten Sie den Akku von Mikrowellen und hohem Druck fern.
- Versuchen Sie nicht, den Akku zu zerlegen oder aufzubrechen.
- Der Akku darf nur bei Temperaturen zwischen -10 °C (14 °F) und 40 °C (104 °F) verwendet werden.
- Reinigen Sie weder den Akku noch das Ladegerät mit Wasser. Siehe *So reinigen Sie den Akku und das Ladegerät auf Seite 83*.
- Verwenden Sie keine fehlerhaften oder beschädigten Akkus.
- Lagern Sie Akkus getrennt von Metallgegenständen wie Nägeln, Schrauben und Schmuck.
- Achten Sie darauf, den Akku von Kindern fernzuhalten.

## Sicherheitsvorrichtungen am Gerät

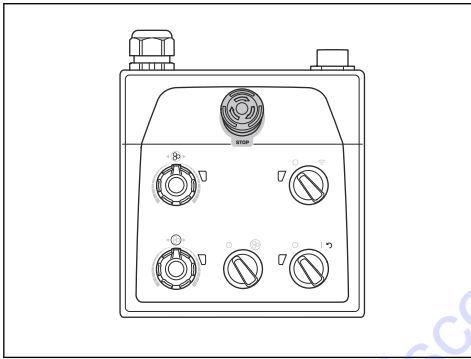


**WARNUNG:** Lesen Sie die folgenden Warnhinweise, bevor Sie das Gerät benutzen.

- Benutzen Sie kein Gerät mit defekten Sicherheitsvorrichtungen.
- Führen Sie regelmäßig eine Überprüfung der Sicherheitsvorrichtungen durch. Wenn die Sicherheitsvorrichtungen defekt sind, wenden Sie sich an Ihre Husqvarna-Servicewerkstatt.

### Die Not-Aus-Taste befindet sich auf dem Bedienfeld

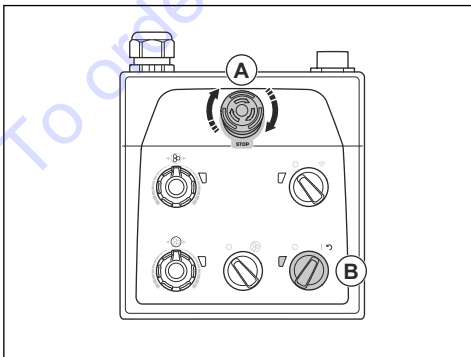
Mit der Not-Aus-Taste kann der Motor schnell abgestellt werden. Mit der Not-Aus-Taste können Sie die Stromzufuhr von der Netzsteckdose unterbrechen.



**ACHTUNG:** Verwenden Sie die Not-Aus-Taste auf dem Bedienfeld nicht als Stopp-Taste für das Gerät.

### So führen Sie einen Test der Not-Aus-Taste auf dem Bedienfeld durch

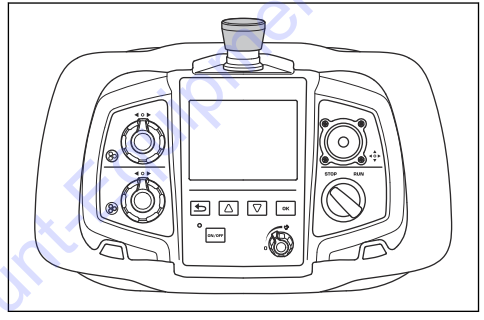
1. Drehen Sie die Not-Aus-Taste (A) auf dem Bedienfeld im Uhrzeigersinn, um sicherzustellen, dass sie deaktiviert ist.



2. Schalten Sie den EIN/AUS-Schalter (B) auf dem Bedienfeld auf „1“, um den Motor zu starten. Die LED neben dem EIN/AUS-Schalter leuchtet auf.
3. Drücken Sie die Not-Aus-Taste auf dem Bedienfeld.
4. Stellen Sie sicher, dass die LED neben dem EIN/AUS-Schalter erlischt.
5. Drehen Sie die Not-Aus-Taste auf dem Bedienfeld gegen den Uhrzeigersinn, um sie zu deaktivieren.

### Not-Aus-Taste auf der Fernbedienung

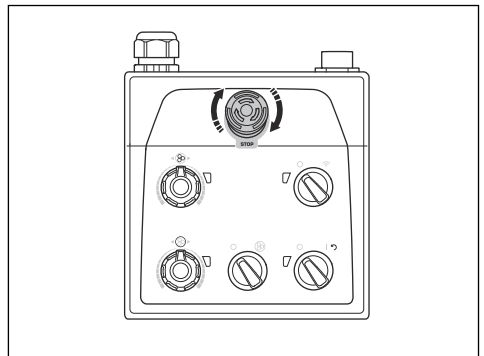
Mit der Not-Aus-Taste kann der Motor schnell abgestellt werden. Mit der Not-Aus-Taste können Sie die Stromzufuhr von der Netzsteckdose unterbrechen. Die Not-Aus-Taste auf der Fernbedienung kann nicht verwendet werden, wenn das Gerät manuell bedient wird.



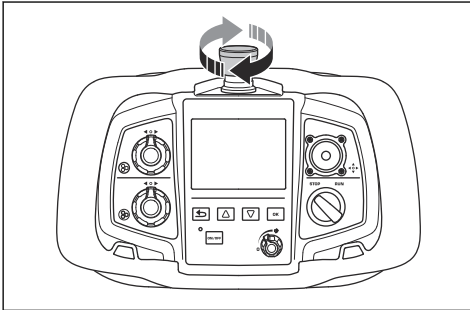
**ACHTUNG:** Verwenden Sie die Not-Aus-Taste auf der Fernbedienung nicht als Stopp-Taste für das Gerät.

### So führen Sie einen Test der Not-Aus-Taste auf der Fernbedienung durch

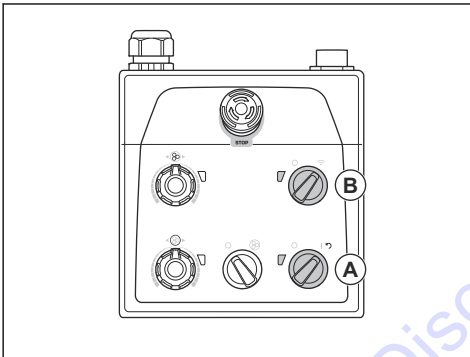
1. Drehen Sie die Not-Aus-Taste auf der Bedientafel im Uhrzeigersinn, um sicherzustellen, dass sie deaktiviert ist.



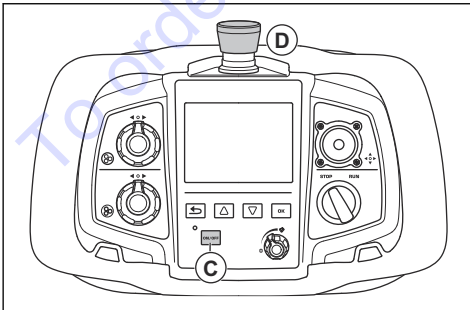
2. Drehen Sie die Not-Aus-Taste auf der Fernbedienung im Uhrzeigersinn, um sicherzustellen, dass sie deaktiviert ist.



3. Schalten Sie den ON/OFF-Schalter (A) auf der Bedientafel auf „1“, um den Motor zu starten. Die LED neben dem ON/OFF-Schalter leuchtet auf.



4. Drehen Sie den Schalter für die Auswahl zwischen Fernbedienung und manueller Bedienung (B) auf der Bedientafel im Uhrzeigersinn, um das Gerät über die Fernbedienung zu bedienen. Die LED neben dem Schalter für die Auswahl zwischen Fernbedienung und manueller Bedienung blinkt.
5. Drücken Sie die ON/OFF-Taste (C) auf der Fernbedienung. Die Fernbedienung ist eingeschaltet, wenn das Display sich einschaltet.

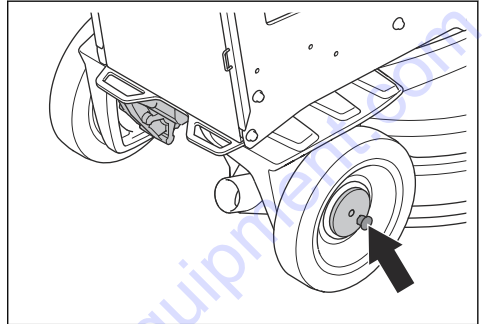


6. Drücken Sie die Not-Aus-Taste (D) auf der Fernbedienung.

7. Stellen Sie sicher, dass die LED neben dem ON/OFF-Schalter auf der Bedientafel erlischt.
8. Drehen Sie die Not-Aus-Taste auf der Fernbedienung im Uhrzeigersinn, um sie zu deaktivieren.

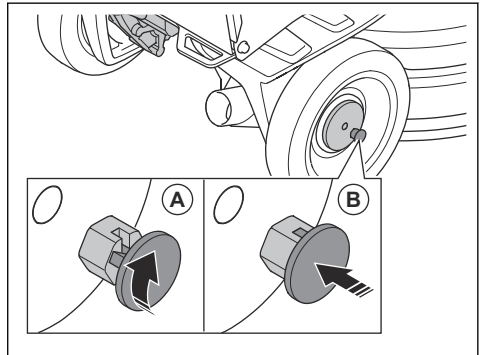
### Sperstifte für die Räder

Die Sperstifte sperren die Räder am Motor, wenn das Gerät mit der Fernbedienung bedient wird.



### So prüfen Sie die Sperstifte für die Räder

1. Stellen Sie sicher, dass die Sperstifte nicht eingerastet sind.
2. Schieben Sie das Gerät leicht nach vorne und achten Sie darauf, ob Sie einen Widerstand spüren.
3. Drehen Sie die Sperstifte (A), bis der Stift mit der Kerbe ausgerichtet ist. Führen Sie diesen Vorgang für das linke und das rechte Rad durch.



4. Starten Sie das Gerät. Die Sperstifte gehen in die Verriegelungsposition (B) und verriegeln die Radmotoren.
5. Schieben Sie das Gerät leicht nach vorne und achten Sie darauf, ob Sie einen Widerstand spüren. Wenn die Sperstifte richtig eingerastet sind, ist der Widerstand größer, als wenn die Sperstifte nicht eingerastet sind.



**Hinweis:** Bei der Bedienung mit der Fernbedienung wird auf dem Display der Fernbedienung eine Fehlermeldung angezeigt, wenn die Sperrstifte nicht richtig eingerastet sind.

- Um die Sperrstifte zu lösen, ziehen Sie diese gerade heraus und drehen Sie sie im oder gegen den Uhrzeigersinn.

## Sicherheitshinweise für die Wartung

- Halten Sie alle Teile in einwandfreiem Zustand, und stellen Sie sicher, dass alle Befestigungen korrekt festgezogen sind.
- Verwenden Sie das Gerät nicht, wenn es defekt ist. Führen Sie alle Sicherheitskontrollen, Wartungen

und Servicemaßnahmen durch, die in dieser Bedienungsanleitung angegeben sind. Alle anderen Wartungsarbeiten müssen von einer autorisierten Servicewerkstatt durchgeführt werden.

- Halten Sie das Gerät an, wenn Sie die Diamantwerkzeuge ersetzen. Schalten Sie den EIN-/AUS-Schalter auf 0, und drücken Sie die Not-Aus-Taste.
- Führen Sie die Inspektion und/oder Wartung bei stehendem Motor und gezogenem Netzstecker aus.
- Warten Sie das Gerät, um sicherzustellen, dass es ordnungsgemäß funktioniert. Siehe *Wartungsplan auf Seite 82*.

## Betrieb

### Einleitung



**WARNUNG:** Vor dem Betrieb des Gerätes müssen Sie die Sicherheitsinformationen lesen und verstehen.

### So nehmen Sie die Gerät aus der Verpackung.



**WARNUNG:** Bewegen Sie das Gerät vorsichtig und sicher von der Palette. Das Gerät ist schwer und kann beim Abrutschen schwere Verletzungen verursachen.

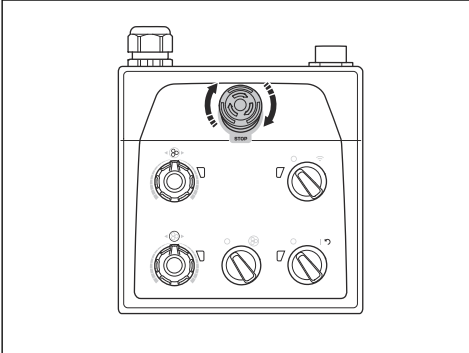
- Stellen Sie sicher, dass alle Artikel, die in der Geräteübersicht aufgeführt werden, enthalten sind. Siehe *Geräteübersicht, rechte Seite auf Seite 50*. Sprechen Sie mit Ihrem Husqvarna-Händler, wenn ein Artikel fehlt oder beschädigt ist, bevor Sie das Gerät von der Palette nehmen.
- Entfernen Sie alle Packgurte und Unterlegkeile.
- Stellen Sie sicher, dass der Bereich frei ist und Sie ausreichend Platz zum Bewegen des Geräts haben.
- Stellen Sie sicher, dass keine Gefahr besteht, dass Sie oder das Gerät herunterfallen.
- Verwenden Sie Hebezeuge oder Rampen, um das Gerät von der Palette zu bewegen. Das Gerät ist schwer. Bewegen Sie das Gerät sicher. Siehe *So heben Sie das Gerät an auf Seite 93*.

### Bevor Sie das Gerät bedienen

- Lesen Sie die Bedienungsanleitung sorgfältig durch, und gehen Sie sicher, dass Sie die Anweisungen verstehen.
- Legen Sie die notwendige persönliche Schutzausrüstung an. Siehe *Persönliche Schutzausrüstung auf Seite 58*.
- Stellen Sie sicher, dass sich nur befugte Personen im Arbeitsbereich befinden.

- Warten Sie das Gerät täglich. Siehe *Wartungsplan auf Seite 82*.
- Stellen Sie sicher, dass das Gerät korrekt zusammengebaut und unbeschädigt ist.
- Stellen Sie das Gerät in den Arbeitsbereich. Stellen Sie sicher, dass der Transport des Geräts zum und im Arbeitsbereich sicher und ordnungsgemäß erfolgt. Siehe *Transport auf Seite 90*.
- Stellen Sie sicher, dass Diamantwerkzeuge auf den Werkzeugplatten vorhanden sind und dass die Diamantwerkzeuge und die Werkzeugplatten fest sitzen.
- Schließen Sie einen Staubabsauger an das Gerät an. Siehe *So schließen Sie einen Staubabsauger an auf Seite 66*.
- Bringen Sie den Griff und den Lenker in eine geeignete Betriebshöhe. Siehe *So verstellen Sie den Griff und den Lenker auf Seite 68*.
- Stellen Sie sicher, dass die Motorkabel an den Schaltkasten angeschlossen sind, bevor das Gerät an eine Steckdose angeschlossen wird. Siehe *So montieren und entfernen Sie den Schleifkopf auf Seite 85*.
- Schließen Sie das Gerät an eine Stromquelle an. Siehe *So schließen Sie das Gerät an die Stromversorgung an auf Seite 68*.

12. Drehen Sie die Not-Aus-Taste auf dem Bedienfeld im Uhrzeigersinn, um sicherzustellen, dass sie deaktiviert ist.



13. Stellen Sie sicher, dass Sie die Rotationsrichtung des Schleifkopfs und der Schleifscheiben kennen, wenn Sie Diamantwerkzeuge für eine bestimmte Richtung wie Piranhas verwenden.
14. PG 690 RC, PG 830 RC: Wenn das Gerät manuell bedient wird, befestigen Sie die Fernbedienung am Gerät. Die Rückseite des Fernbedienungshalters ist mit einem Magneten ausgestattet. Siehe *So bringen Sie die Fernbedienung am Fernbedienungshalter an auf Seite 70*.
15. Bringen Sie das Stützrad in die Betriebsstellung. Siehe *So bringen Sie das Stützrad in die Betriebsposition auf Seite 92*.

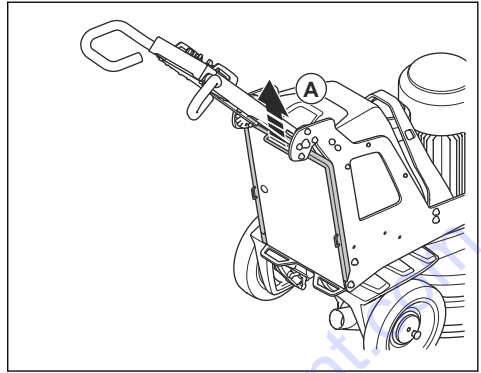
## So befestigen und lösen Sie den Tragrahmen

Das Gerät verfügt über einen Tragrahmen, mit dem das Gerät nach hinten gekippt werden kann. Der Tragrahmen dient auch als Aufhängevorrichtung, an der der Staubabsaug Schlauch und das Netzkabel aufgehängt werden.

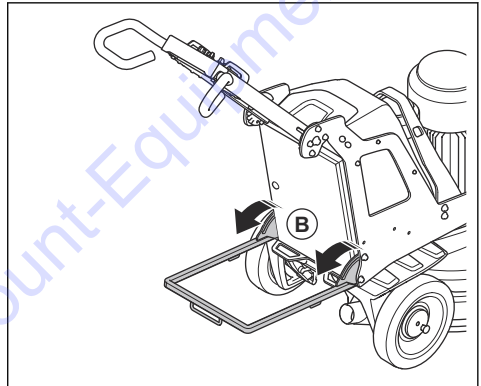


**WARNUNG:** Seien Sie vorsichtig, wenn Sie den Tragrahmen bewegen. Die beweglichen Teile können Verletzungen verursachen.

1. Heben Sie den Tragrahmen (A) etwas an.



2. Senken Sie den Tragrahmen (B) ab.



3. Klappen Sie den Tragrahmen in umgekehrter Reihenfolge wieder hoch.

## Diamantwerkzeuge

Es gibt viele verschiedene Arten und Konfigurationen von Diamantwerkzeugen für das Gerät. Metallgebundene Diamantwerkzeuge werden zum Entfernen von Material und harzgebundene Diamantwerkzeuge zum Polieren von Oberflächen verwendet. Wählen Sie die richtigen Diamantwerkzeuge für die Oberfläche.

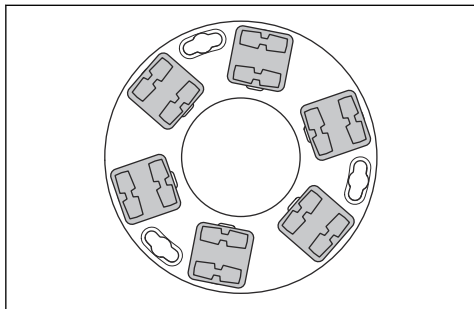
## Scheibenhalterauswahl für Diamantwerkzeuge

- Verwenden Sie einen Redi lock-Scheibenhalter, um metallgebundene Diamantwerkzeuge zu befestigen.
- Verwenden Sie einen harzgebundenen Scheibenhalter, um kunststoffgebundene Diamantwerkzeuge zu befestigen.

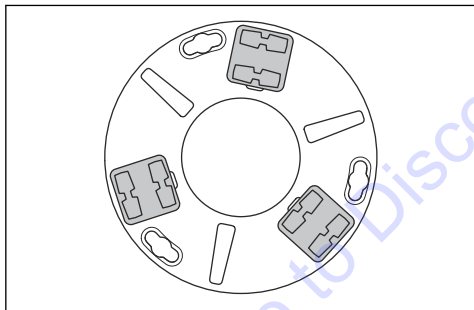
## Voller Satz und halber Satz Diamantwerkzeuge

Die Konfiguration der Diamantwerkzeugsegmente wirkt sich auf die Endqualität der Oberfläche aus. Die Konfiguration wirkt sich auch auf die Betriebsgeschwindigkeit des Geräts aus.

- Voller Satz Diamantwerkzeuge: Diese Konfiguration wird für ein flaches Bodenergebnis verwendet.



- Halber Satz Diamantwerkzeuge: Diese Konfiguration wird verwendet, wenn kein flaches Bodenergebnis benötigt wird.



### So ersetzen Sie die Diamantwerkzeuge



**WARNUNG:** Ziehen Sie immer den Netzstecker, bevor Sie die Diamantwerkzeuge austauschen, um ein versehentliches Starten zu verhindern.



**WARNUNG:** Verwenden Sie Schutzhandschuhe, da Diamantwerkzeuge sehr heiß werden können.



**WARNUNG:** Tragen Sie einen zugelassenen Atemschutz, wenn Sie die Diamantwerkzeuge ersetzen. Der Staub unter dem Schleifkopf gefährdet Ihre Gesundheit.

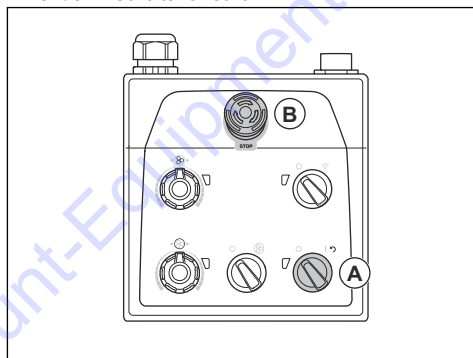


**WARNUNG:** Verwenden Sie den Staubabsauger, wenn Sie die Diamantwerkzeuge ersetzen. Der Staubabsauger verringert den Staub, der gesundheitliche Probleme verursachen kann.

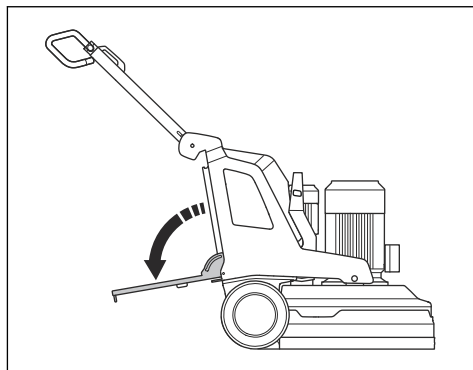


**ACHTUNG:** Alle Schleifscheiben müssen immer die gleiche Anzahl und die gleiche Art von Diamanten haben. Die Höhe der Diamanten muss bei allen Schleifscheiben gleich sein.

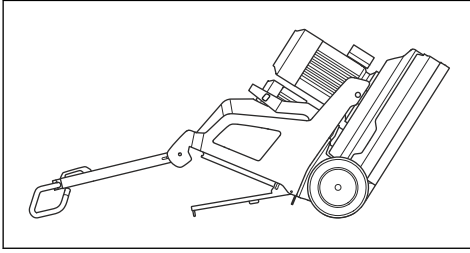
1. Bringen Sie den ON/OFF-Schalter (A) auf der Bedientafel in die Position „0“. Die LED neben dem ON/OFF-Schalter erlischt.



2. Drücken Sie die Not-Aus-Taste (B) auf der Bedientafel.
3. Bringen Sie den Griff auf die Wartungsposition. Siehe *Griffpositionen auf Seite 67*.
4. Wenn Gewichte installiert sind, stellen Sie die Gewichte nach hinten ein. Siehe *So stellen Sie die Gewichte ein auf Seite 81*.
5. Befestigen Sie den Tragrahmen. Siehe *So befestigen und lösen Sie den Tragrahmen auf Seite 64*.

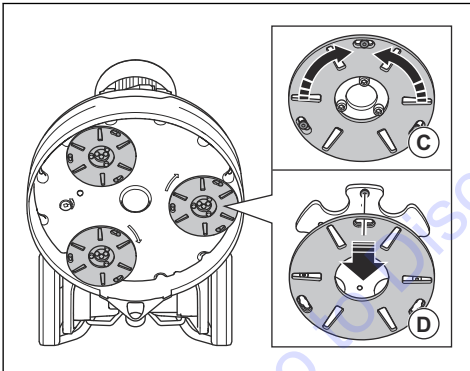


6. Halten Sie den Lenker fest und kippen Sie das Gerät mit einem Fuß auf dem Tragrahmen nach hinten. Kippen Sie das Gerät, bis der Lenker auf dem Boden steht.

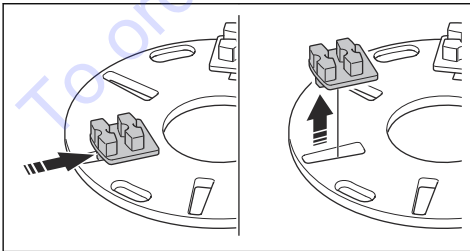


**WARNUNG:** Stellen Sie sicher, dass sich das Gerät in einer stabilen Position befindet, bevor Sie die Diamantwerkzeuge austauschen.

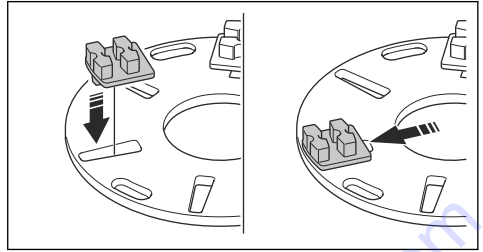
7. Ziehen Sie Schutzhandschuhe an.  
8. Drehen Sie die Werkzeugplatte (C) nach rechts oder links, um die Werkzeugplatte von der Schleifscheibe zu lösen.



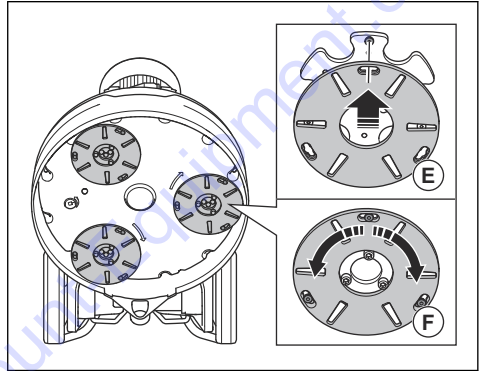
9. Ziehen Sie die Werkzeugplatte gerade heraus (D), um die Werkzeugplatte von der Schleifscheibe zu entfernen.  
10. Entfernen Sie die Diamantwerkzeuge mit einem Hammer von der Werkzeugplatte.



11. Befestigen Sie neue Diamantwerkzeuge mit einem leichten Hammerschlag an der Werkzeugplatte.



12. Befestigen Sie die Werkzeugplatte gerade (E) an der Schleifscheibe.



13. Drehen Sie die Werkzeugplatte (F) nach rechts oder links, um die Werkzeugplatte an der Schleifscheibe zu verriegeln.  
14. Heben Sie das Gerät vorsichtig in die Betriebsposition. Verwenden Sie den Lenker und den Tragrahmen zur Unterstützung.  
15. Lösen Sie den Tragrahmen.

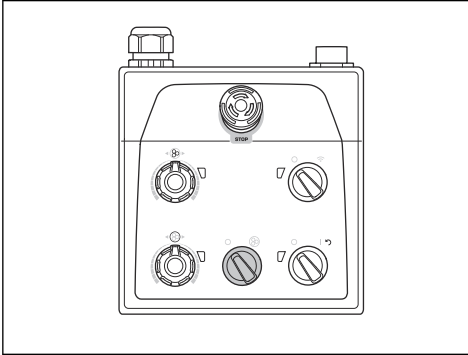
## So schließen Sie einen Staubabsauger an



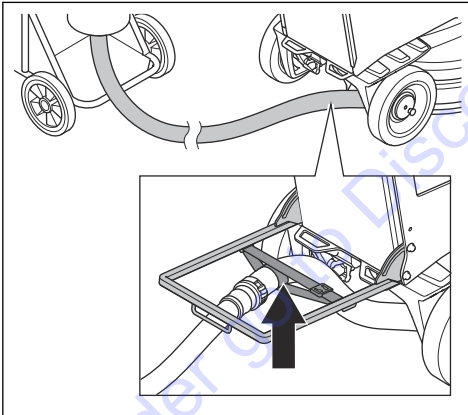
**WARNUNG:** Verwenden Sie den Staubabsauger nicht, wenn der Staubabsaugerschlauch beschädigt ist. Dann steigt das Risiko, dass Sie gesundheitsgefährdenden Staub einatmen. Tragen Sie einen zugelassenen Atemschutz.

1. Untersuchen Sie den Staubabsaugerschlauch auf Beschädigungen.
2. Stellen Sie sicher, dass die Filter im Staubabsauger sauber und unbeschädigt sind.

3. Stellen Sie sicher, dass der START/STOPP-Schalter auf dem Bedienfeld auf „0“ steht.



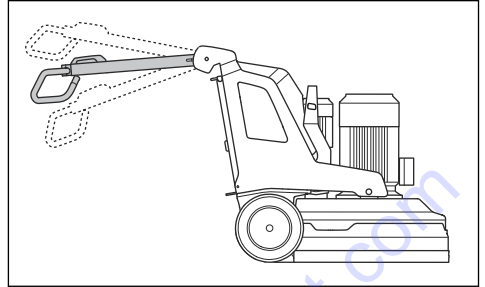
4. Schließen Sie den Staubabsaug Schlauch an das Gerät an.
5. Befestigen Sie den Tragrahmen. Siehe *So befestigen und lösen Sie den Tragrahmen auf Seite 64.*
6. Hängen Sie den Staubabsaug Schlauch an die Aufhängevorrichtung am Tragrahmen, um ein Verspannen des Staubabsaug Schlauchs zu vermeiden.



7. Lösen Sie den Tragrahmen.

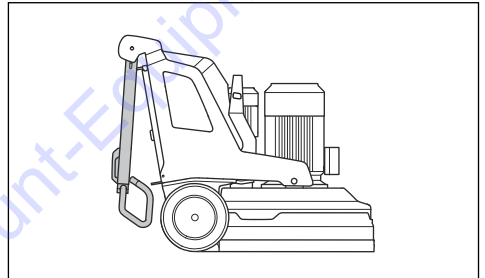
## Griffpositionen

- Position des Griffs für den manuellen Betrieb:

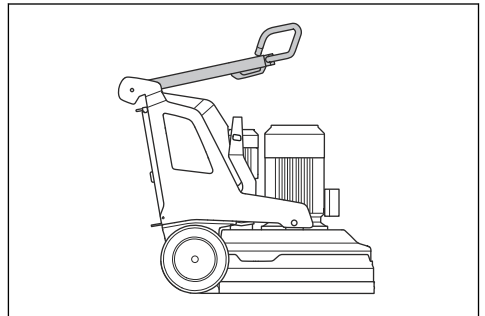


- Es gibt 2 empfohlene Positionen des Griffs für den Fernbedienungsbetrieb und den Transport des Geräts.

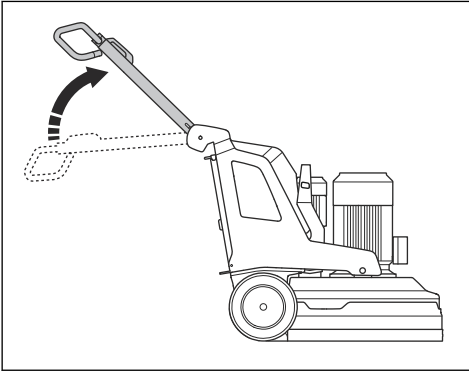
Position 1:



Position 2:



- Wartungsposition des Griffs:



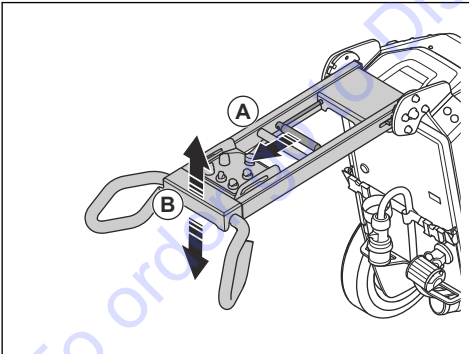
### So verstellen Sie den Griff und den Lenker



**WARNUNG:** Seien Sie vorsichtig, wenn Sie den Griff und den Lenker einstellen. Stellen Sie sicher, dass der Griff und der Lenker einrasten. Die beweglichen Teile können Verletzungen verursachen.

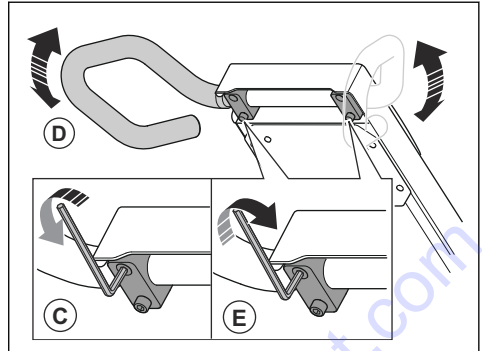
Stellen Sie die Griffhöhe so nah wie möglich auf die Hüfthöhe des Bedieners ein. Während des Betriebs kann das Produkt zur Seite ziehen. Die Hüfte des Bedieners kann dabei helfen, diese Bewegung zur Seite zu stoppen.

1. Ziehen Sie den Verriegelungshebel (A) am Griff in Richtung Bedienfeld und halten Sie ihn in dieser Position.



2. Bringen Sie den Griff (B) in eine entsprechende Betriebshöhe.
3. Lassen Sie den Verriegelungshebel am Griff los, um die Griffposition zu fixieren.

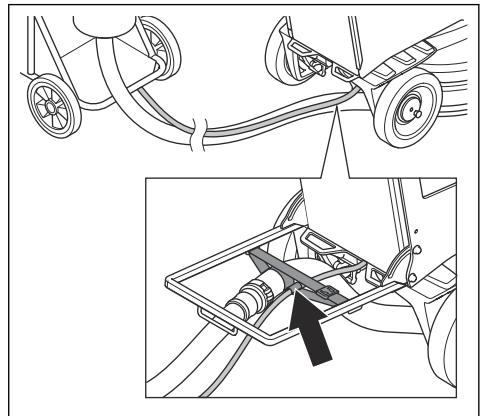
4. Lösen Sie die 4 Schrauben (C) am Lenker.



5. Bringen Sie den Lenker (D) in eine entsprechende Betriebshöhe.
6. Ziehen Sie die 4 Schrauben (E) am Lenker an, um die Lenkerposition zu fixieren.

### So schließen Sie das Gerät an die Stromversorgung an

1. Schließen Sie den Netzstecker des Geräts an das Verlängerungskabel an.
2. Stecken Sie Netzstecker des Verlängerungskabels in eine Netzsteckdose.
3. Befestigen Sie den Tragrahmen. Siehe *So befestigen und lösen Sie den Tragrahmen auf Seite 64*.
4. Hängen Sie das Netzkabel an die Aufhängevorrichtung am Tragrahmen, um Zug am Netzkabel zu vermeiden.



5. Lösen Sie den Tragrahmen.



**ACHTUNG:** Wenn das Gerät an einen Staubabsauger angeschlossen wird, muss der Staubabsauger an eine dreiphasige Stromversorgung angeschlossen werden.

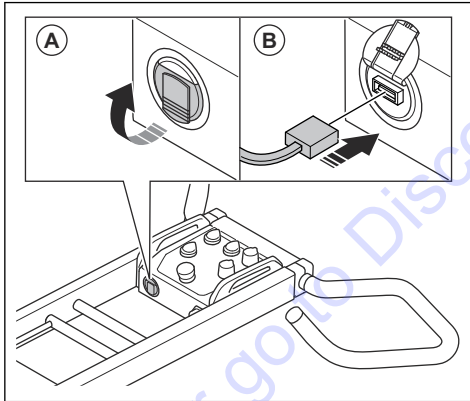
## USB-Ladeanschluss auf dem Bedienfeld (PG 690 RC, PG 830 RC)

Mit dem USB-Ladeanschluss auf dem Bedienfeld können mobile Geräte aufgeladen werden.

- Das Laden über den USB-Ladeanschluss ist nur möglich, wenn das Produkt an eine dreiphasige Stromquelle angeschlossen ist.
- Das Mobilgerät wird weiterhin aufgeladen, wenn das Gerät stoppt oder die Not-Aus-Taste betätigt wird.
- Das Gerät legt keinen Zeitraum fest, wie lange ein Mobilgerät aufgeladen werden kann. Laden Sie Ihr Mobilgerät wie vom Hersteller des Mobilgeräts empfohlen auf.
- Der USB-Ladeanschluss liefert eine Höchstleistung von 10 W.

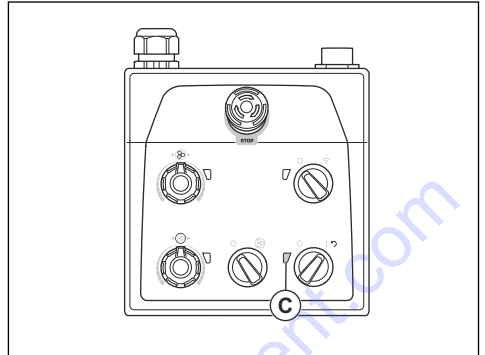
### So laden Sie ein Mobilgerät auf (PG 690 RC, PG 830 RC)

1. Schließen Sie das Gerät an eine dreiphasige Stromversorgung an. Siehe *So schließen Sie das Gerät an die Stromversorgung an* auf Seite 68.
2. Entfernen Sie die Schutzabdeckung des USB-Ladeanschlusses an der Bedien tafel (A).



3. Schließen Sie Ihr Mobilgerät an den USB-Ladeanschluss an (B).

4. Vergewissern Sie sich, dass die Anzeige für die Stromversorgung und den Ladezustand des Geräteakkus (C) auf der Bedientafel blinkt.



Während das Gerät an eine dreiphasige Stromquelle angeschlossen ist, wird das am USB-Ladeanschluss angeschlossene Gerät bei ausgeschaltetem Motor weiter aufgeladen. Die Stromversorgung für den USB-Ladeanschluss wird ausgeschaltet, wenn der Akku des Geräts vollständig aufgeladen ist.

### Drehzahl und Rotationsrichtung

Dies ist ein Gerät mit Dual Drive technology. Dual Drive technology bedeutet, dass der Schleifkopf und die Schleifscheiben mit unterschiedlichen Motoren arbeiten. Die Drehzahl und Rotationsrichtung kann unabhängig zwischen Schleifkopf und Schleifscheiben eingestellt werden. Durch die unabhängige Einstellung von Drehzahl und Rotationsrichtung wird die Spanne der verschiedenen Oberflächentypen vergrößert, auf denen das Gerät verwendet werden kann.

### Betriebsgeschwindigkeit

Wenn das Gerät auf einem neuen Oberflächentyp betrieben wird, stellen Sie die Geschwindigkeit zunächst auf 70 % ein. Wenn der Bediener den Oberflächentyp kennt, kann die Geschwindigkeit angepasst werden.

### Rotationsrichtung des Schleifkopfes und der Schleifscheiben

Von unterhalb des Geräts aus gesehen ist die Rotationsrichtung wie folgt:

- „REV“ (rückwärts): im Uhrzeigersinn
- „FWD“ (vorwärts): gegen den Uhrzeigersinn

Die Schleifwirkung ist höher, wenn der Schleifkopf und die Schleifscheiben in der gleichen Richtung rotieren.

Während des Betriebs kann das Gerät zur Seite ziehen. Die Zugrichtung ist abhängig von der Rotationsrichtung. Das Gerät zieht nach rechts, wenn die Rotationsrichtung auf „FWD“ eingestellt ist. Das Gerät zieht nach links, wenn die Rotationsrichtung auf „REV“ eingestellt ist.

Der Seitenzug kann Ihnen helfen, das Gerät beispielsweise in der Nähe einer Wand zu betreiben. Stellen Sie die Rotationsrichtung so ein, dass das Gerät in die Richtung der Wand zieht.

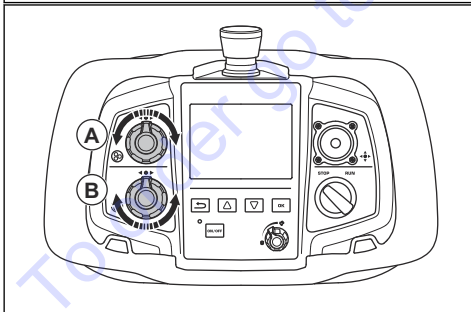
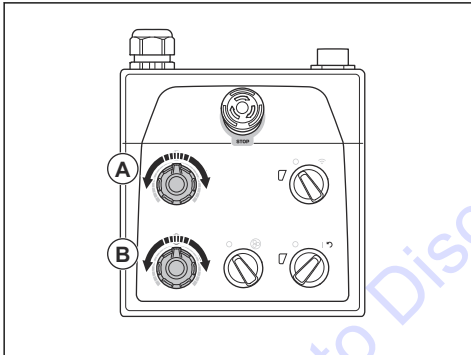


**ACHTUNG:** Lenken Sie das Gerät vorsichtig. Stellen Sie sicher, dass das Gerät die Wand nur leicht berührt. Das Gerät ist schwer und kann Schäden verursachen.

## So ändern Sie die Geschwindigkeit und Rotationsrichtung der Motoren

Ändern Sie die Drehrichtung regelmäßig, um die Lebensdauer und die Schärfe der Diamantwerkzeuge zu erhöhen. Die Diamantwerkzeugsegmente werden gleichmäßig verwendet und die Kontaktfläche ist weiterhin so groß wie möglich.

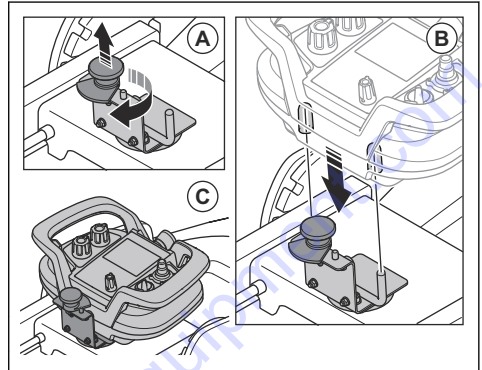
- Drehen Sie den Regler (A), um die Geschwindigkeit und Rotationsrichtung des Schleifkopfs einzustellen.
- Drehen Sie den Regler (B), um die Geschwindigkeit und Rotationsrichtung der Schleifscheibe einzustellen.



## So bringen Sie die Fernbedienung am Fernbedienungshalter an

Wenn die Fernbedienung nicht verwendet wird, kann sie am Fernbedienungshalter des Geräts angebracht werden.

1. Bringen Sie den Fernbedienungshalter am Gerät an. Die Rückseite des Fernbedienungshalters ist mit einem Magneten ausgestattet.
2. Stellen Sie sicher, dass sich der Verriegelungsknopf am Fernbedienungshalter in der richtigen Position befindet. Heben Sie den Verriegelungsknopf an und drehen Sie ihn, bis er vom Fernbedienungshalter (A) weg zeigt.



3. Richten Sie die Löcher an der Rückseite der Fernbedienung an den Stiften am Fernbedienungshalter (B) aus.
4. Drücken Sie die Fernbedienung ganz auf die Stifte am Fernbedienungshalter.
5. Heben Sie den Verriegelungsknopf an und drehen Sie ihn, bis er sich oben auf der Fernbedienung befindet (C).
6. Nehmen Sie die Fernbedienung in umgekehrter Reihenfolge ab.

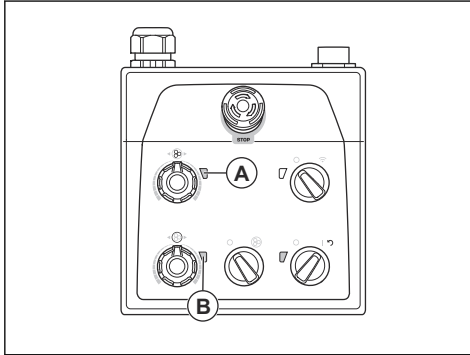
## Bedienfeld

Bedienen Sie das Gerät manuell mit dem Bedienfeld am Lenker. Eine Übersicht über die Tasten auf dem Bedienfeld finden Sie unter *Überblick über das Bedienfeld auf Seite 52*.



## So bedienen Sie das Gerät mit dem Bedienfeld

- Achten Sie während des Betriebs auf Farbveränderungen in den Anzeigen für den Wechselrichter zum Schleifkopf (A) und zur Schleifscheibe (B).



- Grünes Licht: Das Gerät funktioniert ordnungsgemäß.
- Oranges Licht: Der Schleifkopf und/oder die Schleifscheibe sind überlastet. Verringern Sie die Ausgangsleistung innerhalb von 10 Sekunden oder weniger, um zu verhindern, dass ein Fehler auftritt.
- Rotes Licht: Fehler in einem Wechselrichter und der Betrieb stoppt. Das Gerät muss zurückgesetzt werden. Siehe *So setzen Sie das Gerät mit der Bedientafel zurück auf Seite 79.*

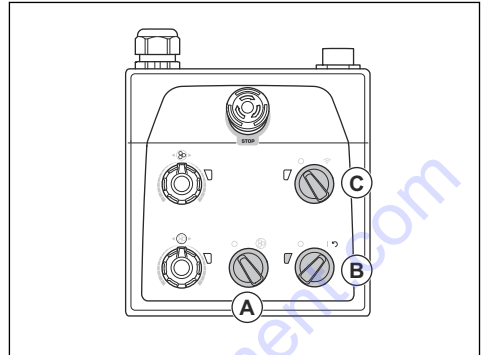
## So starten Sie das Gerät mit dem Bedienfeld



**ACHTUNG:** Bewegen Sie das Gerät die ganze Zeit, während der Schleifkopf eingeschaltet ist. Wenn Sie das Gerät nicht bewegen, kann die Oberfläche rau werden.

1. Stellen Sie sicher, dass die Sperrstifte für die Räder gelöst sind. Siehe *So prüfen Sie die Sperrstifte für die Räder auf Seite 62.*
2. Drücken Sie den Lenker nach unten, um den Schleifkopf von der Oberfläche anzuheben. Dadurch wird die Oberflächenreibung der Diamantwerkzeuge aufgehoben. Heben Sie den Schleifkopf während des Betriebs nicht vollständig von der Oberfläche ab.

3. Drehen Sie den START/STOPP-Schalter (A) am Bedienfeld gegen den Uhrzeigersinn auf 0, um sicherzustellen, dass der Schleifkopf ausgeschaltet ist.



4. Schalten Sie den EIN-/AUS-Schalter (B) auf dem Bedienfeld auf 1, um das Gerät zu starten. Die LED neben dem EIN/AUS-Schalter leuchtet auf.
5. Drehen Sie den Schalter für die Auswahl zwischen Fernbedienung und manueller Bedienung (C) am Bedienfeld gegen den Uhrzeigersinn auf „0“, um das Gerät manuell zu bedienen.
6. Drehen Sie den START/STOPP-Schalter am Bedienfeld im Uhrzeigersinn, um den Schleifkopf zu starten. In weniger als 5 Sekunden arbeitet das Gerät mit der Leerlaufdrehzahl. Der kleine Motor läuft nach ca. 2 Sekunden an.

## So stoppen Sie das Gerät mit dem Bedienfeld

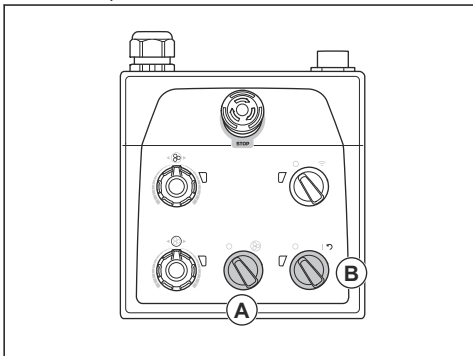


**ACHTUNG:** Heben Sie den Schleifkopf nicht von der Oberfläche ab, wenn Sie den Motor stoppen. Die Werkzeugplatten drehen sich nach dem Stoppen des Motors eine Weile lang weiter. Staub kann in die Luft gelangen und die Oberfläche kann beschädigt werden.



**ACHTUNG:** Lassen Sie das Gerät nicht stehen, bis die Werkzeugplatten ganz zum Stillstand gekommen sind.

1. Drehen Sie den START/STOPP-Schalter (A) am Bedienfeld gegen den Uhrzeigersinn auf 0, um den Schleifkopf auszuschalten.



2. Halten Sie die Werkzeugplatten gegen die Oberfläche, bis sie vollständig zum Stillstand gekommen sind.



**ACHTUNG:** Wenn Sie klebenden Asphalt, Farbe oder ein gleichwertiges Material schleifen, kann sich das Gerät auf der Klebefläche festsetzen. Heben Sie unmittelbar nach dem vollständigen Anhalten der Werkzeugplatte die Vorderseite des Schleifkopfes ein Stück an.

3. Schalten Sie den EIN-/AUS-Schalter (B) auf dem Bedienfeld auf 0, um das Gerät zu stoppen. Die LED neben dem EIN/AUS-Schalter erlischt.
4. Ziehen Sie den Netzstecker aus der Steckdose.

## Fernbedienung

Die Fernbedienung kann über Funk betrieben werden. Für den Betrieb über Funk ist ein Kopplungsvorgang erforderlich. Siehe *So führen Sie einen Kopplungsvorgang durch* auf Seite 77.

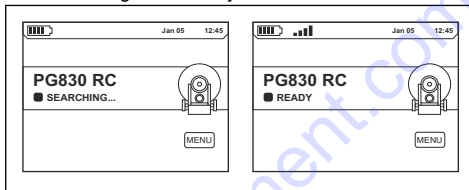
Die Fernbedienung kann auch mit einem CAN-Bus-Kabel betrieben werden, das zwischen der Fernbedienung und dem Gerät angeschlossen ist. Das CAN-Bus-Kabel kann beispielsweise verwendet werden, wenn der Ladezustand des Akkus der Fernbedienung niedrig ist. Anweisungen zum Anschließen der Fernbedienung an das Gerät mit einem CAN-Bus-Kabel

finden Sie unter *So verbinden Sie die Fernbedienung über ein CAN-Bus-Kabel mit dem Gerät* auf Seite 77.

Die Fernbedienung verfügt über alle Bedienelemente, die zur Bedienung des Geräts erforderlich sind. Die Fernbedienung verfügt über ein digitales Display mit einem Menüsystem. Siehe *Menü-Übersicht* auf Seite 73.

## Hauptmenü

Im Hauptmenü öffnet die Taste „OK“ auf der Fernbedienung das Menüsystem.

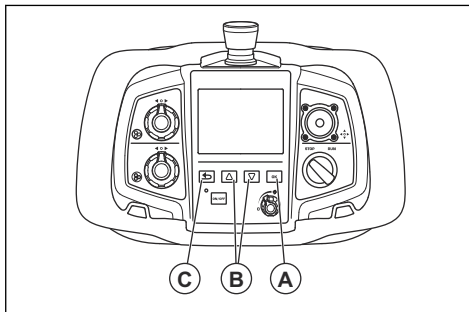


## Menüsystem

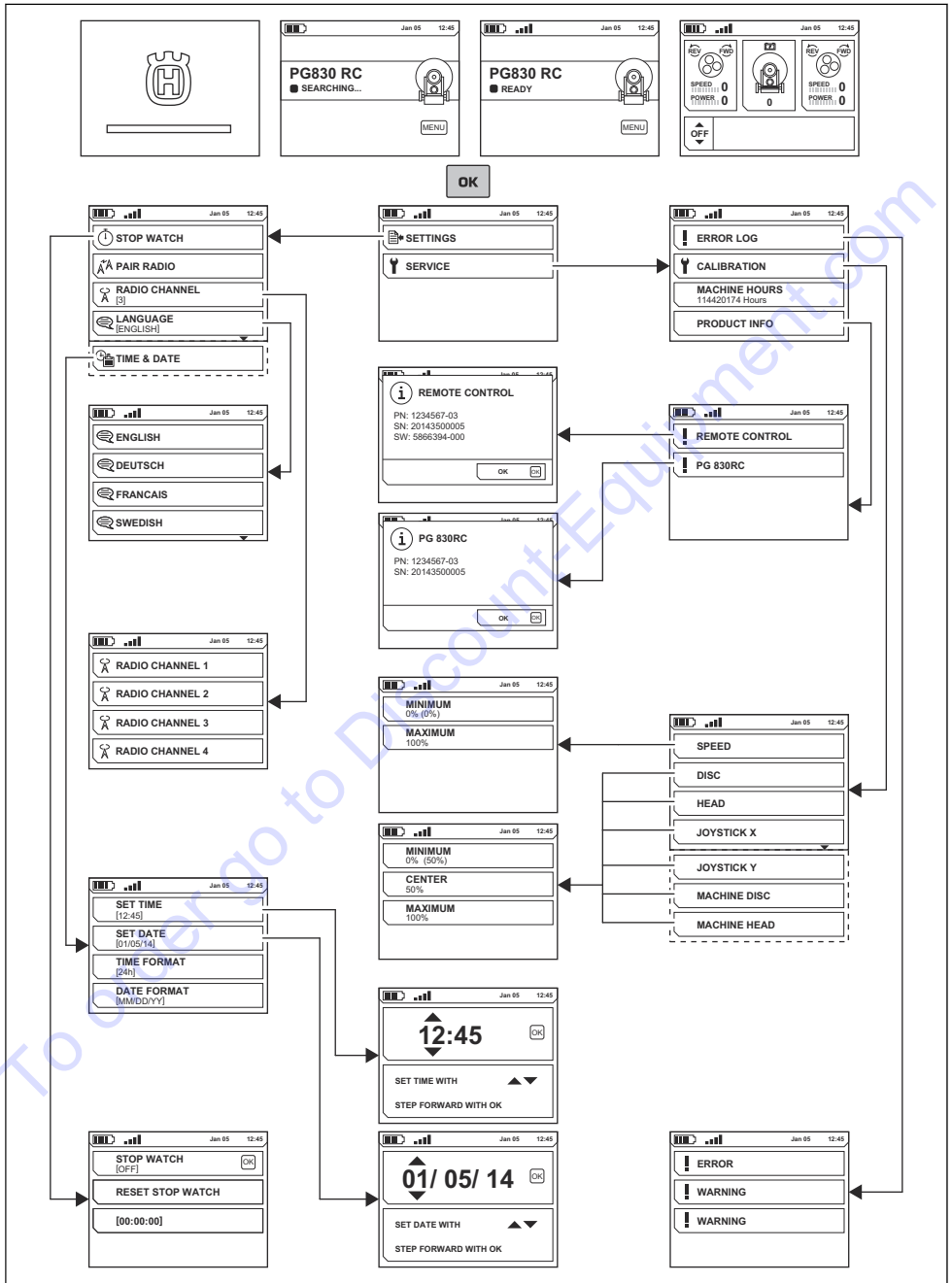
**Hinweis:** Die Anzeigetexte in diesem Handbuch sind in englischer Sprache. Die auf Ihrem Gerät angezeigten Texte sind in der ausgewählten Sprache. Siehe *„SPRACHEN“* auf Seite 74.

Das Menüsystem verfügt über die Untermenüs „EINSTELLUNGEN“ und „WARTUNG“.

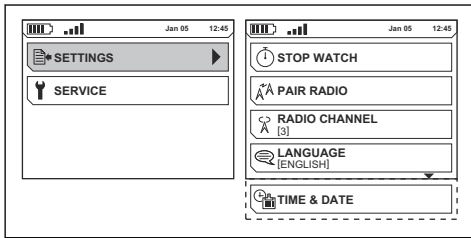
Mit den Pfeiltasten (B) können Sie sich in den Menülisten auf- und abbewegen. Mit der Taste „OK“ (A) treffen Sie eine Auswahl. Mit der Taste (C) gehen Sie in der Menüstruktur eine Ebene zurück.



# Menü-Übersicht



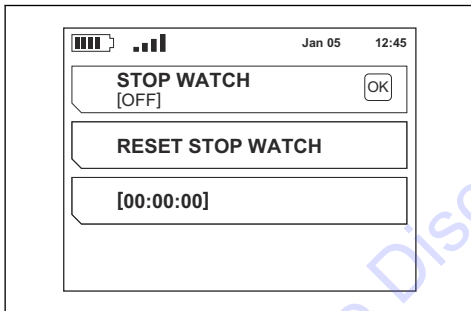
## Menü „EINSTELLUNGEN“



### „ZEITMESSUNG“

Die Funktion „ZEITMESSUNG“ misst, wie viel Zeit für einen Betriebsvorgang benötigt wird. Die Zeit beginnt zu laufen, wenn Sie das Gerät starten.

- „ZEITMESSUNG AUS/EIN“: Schaltet die Funktion aus oder ein.
- „ZEITMESSUNG ZURÜCKSETZEN“: Setzt die Funktion zurück.
- [00:00:00]: Zeigt die Betriebszeit in Stunden, Minuten und Sekunden.



### „VERBINDUNGS-AUFBAU“

„VERBINDUNGS-AUFBAU“ führt einen Verbindungsaufbau zwischen der Fernbedienung und dem Gerät durch.

### „FUNKKANAL“

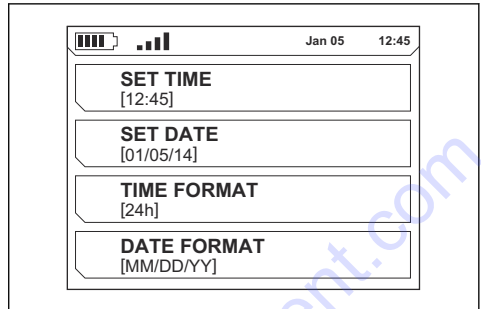
„FUNKKANAL“ zeigt eine Auswahl von Funkkanälen an. Um den Funkkanal zu wechseln, muss ein Verbindungsaufbau durchgeführt werden. Siehe *So führen Sie einen Kopplungsvorgang durch* auf Seite 77.

### „SPRACHEN“

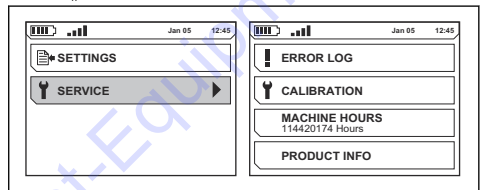
Im Untermenü „SPRACHEN“ kann die Sprache für den Anzeigetext ausgewählt werden.

## „ZEIT & DATUM“

Im Untermenü „ZEIT & DATUM“ können Sie die Uhrzeit, das Datum und das Format für Uhrzeit und Datum einstellen.



## Menü „WARTUNG“



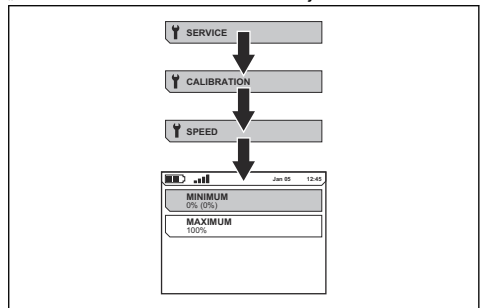
### „FEHLERPROTOKOLL“

Das „FEHLERPROTOKOLL“ ist eine Liste von Fehlern, die das Gerät findet. Siehe *Fehler- und Warmmeldungen auf der Fernbedienung* auf Seite 88.

### „KALIBRIERUNG“

Wenn sich das Gerät nicht mehr richtig bewegt, müssen die Bedienelemente auf der Fernbedienung und dem Bedienfeld kalibriert werden. Die Kalibrierung erfolgt über die Fernbedienung.

Die Kalibrierung für die verschiedenen Bedienelemente erfolgt im Menü „KALIBRIERUNG“. Die Auswahl „MINIMUM“ ist der Standardwert für jede Funktion.

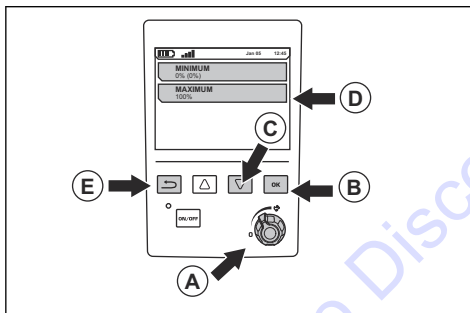


- „GESCHWINDIGKEIT“: Kalibrierung der Steuerung der Gerätegeschwindigkeit.

- „SCHEIBE“: Kalibrierung der Steuerung der Rotationsrichtung und Geschwindigkeit der Schleifscheiben auf der Fernbedienung.
- „KOPF“: Kalibrierung der Steuerung der Rotationsrichtung und Geschwindigkeit des Schleifkopfs auf der Fernbedienung.
- „JOYSTICK X“: Kalibrierung der Joystickposition, rechts und links.
- „JOYSTICK Y“: Kalibrierung der Joystickposition, vorwärts und rückwärts.
- „SCHEIBE – GERÄT“: Kalibrierung der Steuerung der Rotationsrichtung und Geschwindigkeit der Schleifscheiben auf dem Bedienfeld.
- „KOPF – GERÄT“: Kalibrierung der Steuerung der Rotationsrichtung und Geschwindigkeit des Schleifkopfs auf dem Bedienfeld.

### So kalibrieren Sie die Geschwindigkeitsregelung

1. Wählen Sie im Menü „KALIBRIERUNG“ die Option „GESCHWINDIGKEIT“ aus.
2. Drehen Sie den Geschwindigkeitsbegrenzungsregler (A) gegen den Uhrzeigersinn auf „0“, um den Mindestwert einzustellen.

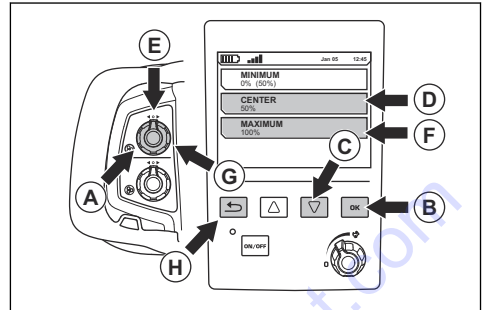


3. Drücken Sie auf die Taste „OK“ (B).
4. Drücken Sie die Abwärtspfeiltaste (C) und wählen Sie „MAXIMAL“ (D) auf dem Display.
5. Drehen Sie den Geschwindigkeitsbegrenzungsregler im Uhrzeigersinn auf den Maximalwert.
6. Drücken Sie auf die Taste „OK“.
7. Drücken Sie auf die Taste (E), um in der Menüstruktur zurückzugehen.

### So kalibrieren Sie die Schleifscheibe und den Schleifkopf

1. Wählen Sie im Menü „KALIBRIERUNG“ die Option „SCHEIBE“, „KOPF“, „SCHEIBE – GERÄT“ oder „KOPF – GERÄT“ aus. Siehe „KALIBRIERUNG“ auf Seite 74 für Beschreibungen der einzelnen Optionen.

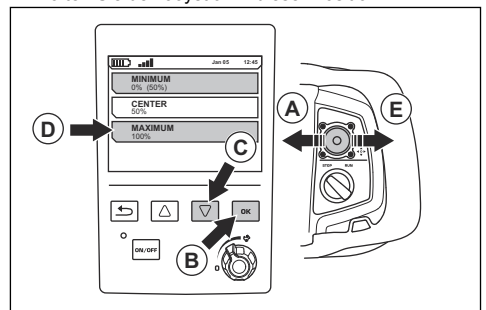
2. Drehen Sie den Regler für die Drehrichtung und die Geschwindigkeit des Schleifkopfs gegen den Uhrzeigersinn bis zur Mindesteinstellung (A).



3. Drücken Sie auf die Taste „OK“ (B).
4. Drücken Sie die Abwärtspfeiltaste (C) und wählen Sie „MITTE“ (D) auf dem Display.
5. Drehen Sie den Regler für die Drehrichtung und die Geschwindigkeit des Schleifkopfs im Uhrzeigersinn in die Position, in welcher der Regler geradeaus nach oben zeigt (E).
6. Drücken Sie die Taste „OK“.
7. Drücken Sie die Abwärtspfeiltaste und wählen Sie „MAXIMAL“ (F) auf dem Display.
8. Drehen Sie den Regler für die Rotationsrichtung und die Geschwindigkeit des Schleifkopfs mit dem Uhrzeigersinn bis zur Maximaleinstellung (G).
9. Drücken Sie die Taste „OK“.
10. Drücken Sie die Taste (H), um in der Menüstruktur zurückzugehen.
11. Verfahren Sie für die drei weiteren Steuerungen genauso.

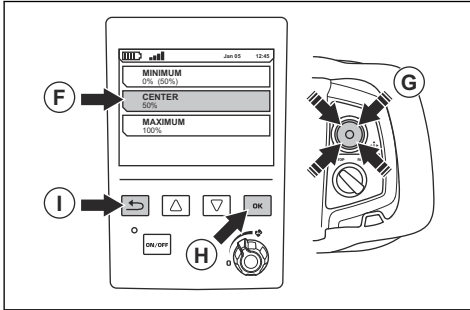
### So kalibrieren Sie den Joystick

1. Um die horizontale Bewegung des Joysticks zu kalibrieren, wählen Sie im Menü „KALIBRIERUNG“ die Option „JOYSTICK X“ aus.
2. Bewegen Sie den Joystick gerade nach links (A) und halten Sie den Joystick in dieser Position.



3. Drücken Sie die Taste „OK“ (B) und wählen Sie „MINIMAL“ auf dem Display aus.

4. Drücken Sie die Abwärtspfeiltaste (C) und wählen Sie „MAXIMAL“ (D) auf dem Display.
5. Drücken Sie die Taste „OK“.
6. Lassen Sie den Joystick los.
7. Verfahren Sie genauso mit der Bewegung nach rechts (E).
8. Lassen Sie den Joystick los, um „MITTE“ (F) zu kalibrieren. Der Joystick bewegt sich zurück in die Mittelposition (G).



9. Drücken Sie die Taste „OK“ (H).
10. Drücken Sie die Taste (I), um in der Menüstruktur zurückzugehen.
11. Um die vertikale Bewegung des Joysticks zu kalibrieren, wählen Sie im Menü „KALIBRIERUNG“ die Option „JOYSTICK Y“ aus.
12. Führen Sie den gleichen Kalibrierungsvorgang durch wie bei „JOYSTICK X“, bewegen Sie jedoch den Joystick nach oben und unten.

### „BETRIEBSSTUNDEN“

Das Untermenü „BETRIEBSSTUNDEN“ zeigt die Gesamtbetriebszeit des Geräts in Stunden an.

### „GERÄTEINFO“

Das Untermenü „GERÄTEINFO“ zeigt Informationen zum Gerät oder zur Fernbedienung an.

### Funktionsmenü für Oszillation und Versatz

Oszillation verhindert Kanten auf der Oberfläche. Wenn Sie im Menü für Oszillation und Versatz einen Wert ändern, werden die Korrekturen nach einigen Sekunden durchgeführt.

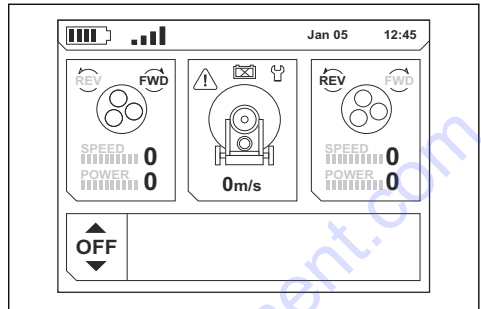


**ACHTUNG:** Überprüfen Sie die Oszillation, wenn das Gerät in der Nähe von Wänden und Kanten betrieben wird. Unterbrechen Sie die Oszillation, wenn Sie das Gerät drehen oder in der Nähe von Gegenständen arbeiten.

- „EIN“/„AUS“: Startet oder unterbricht die Oszillation. Verwenden Sie diese Funktion zum Beispiel, wenn Sie das Gerät drehen. Wenn Sie die Oszillation

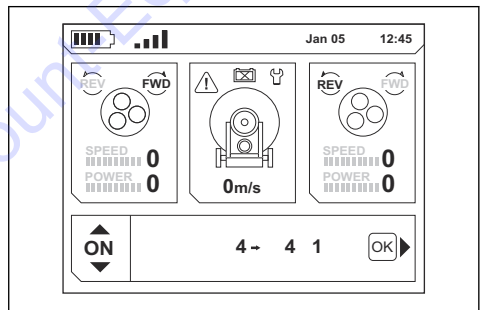
starten, werden dieselben Werte verwendet, die vor der Unterbrechung verwendet wurden.

Mit den Pfeiltasten auf der Fernbedienung können Sie zwischen den Optionen „EIN“ und „AUS“ wechseln.

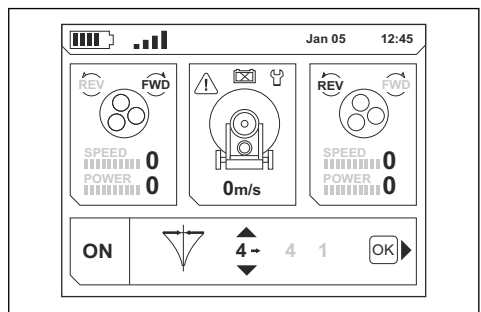


- Versatz: Korrektur der Richtung des Geräteversatzes während des Betriebs.

Die Pfeiltasten starten die Oszillation. Die Taste „OK“ auf der Fernbedienung startet den Versatzmodus.

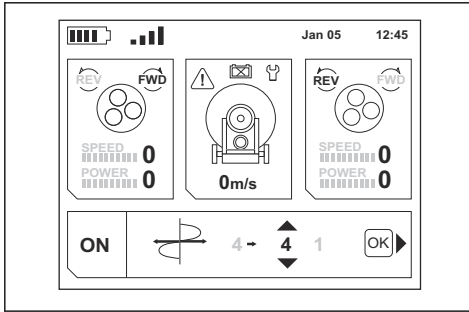


- Im Versatzmodus können Sie mit den Pfeiltasten den Versatzwert anpassen.



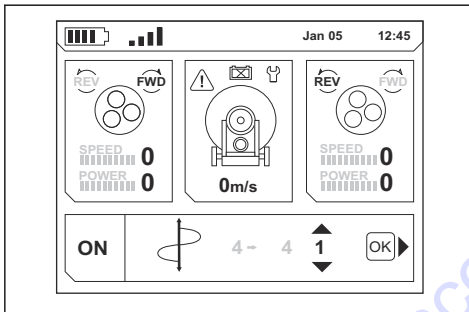
- Amplitude: Weite der eingestellten Oszillation.

Im Offset-Modus startet die Schaltfläche „OK“ den Amplitudenmodus. Mit den Pfeiltasten können Sie den Amplitudenwert anpassen.



- Frequenz: Geschwindigkeit der eingestellten Oszillation.

Im Amplitudenmodus startet die Schaltfläche „OK“ den Frequenzmodus. Mit den Pfeiltasten können Sie den Frequenzwert anpassen.



- Im Frequenzmodus gehen Sie mit „OK“ in den Oszillationsmodus „EIN“/„AUS“ zurück.

## So steuern Sie das Gerät mit der Fernbedienung



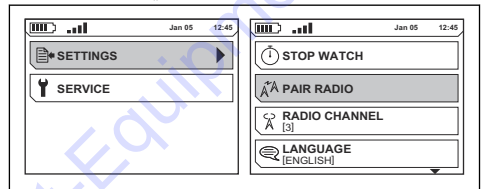
**WARNUNG:** Stellen Sie sicher, dass Sie das Gerät jederzeit sehen können, wenn Sie es mit der Fernbedienung bedienen. Die Reichweite der Fernbedienung ermöglicht es, das Gerät auch dann zu bewegen, wenn Sie es nicht sehen können. Es besteht die Gefahr von Verletzungen und Schäden.

## So führen Sie einen Kopplungsvorgang durch

Wenn Sie die Fernbedienung zum ersten Mal zusammen mit dem Produkt verwenden, ist der Aufbau einer Verbindung (Kopplung) erforderlich.

Ein Kopplungsvorgang ist auch erforderlich, wenn die Fernbedienung ausgetauscht wird oder wenn Sie die Fernbedienung zwischen verschiedenen Geräten wechseln.

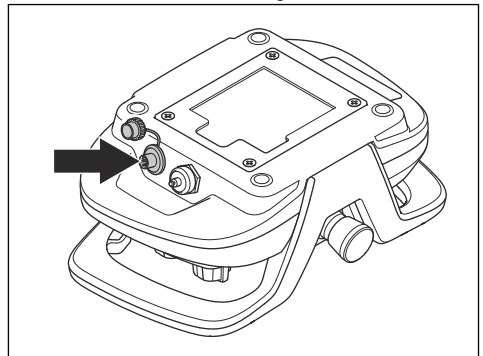
1. Stellen Sie sicher, dass die Not-Aus-Tasten auf dem Bedienfeld und der Fernbedienung deaktiviert sind. Siehe *So führen Sie einen Test der Not-Aus-Taste auf dem Bedienfeld durch* auf Seite 61 und *So führen Sie einen Test der Not-Aus-Taste auf der Fernbedienung durch* auf Seite 61.
2. Schließen Sie das Netzkabel an und schalten Sie das Gerät ein.
3. Schließen Sie das CAN-Bus-Kabel an. Siehe *So verbinden Sie die Fernbedienung über ein CAN-Bus-Kabel mit dem Gerät* auf Seite 77.
4. Warten Sie, bis die Fernbedienung vollständig aufgeladen ist und das Hauptmenü auf dem Display angezeigt wird.
5. Drücken Sie die Taste „OK“, um das Menüsystem zu öffnen.
6. Wählen Sie „EINSTELLUNGEN“ aus und drücken Sie die Taste „OK“.



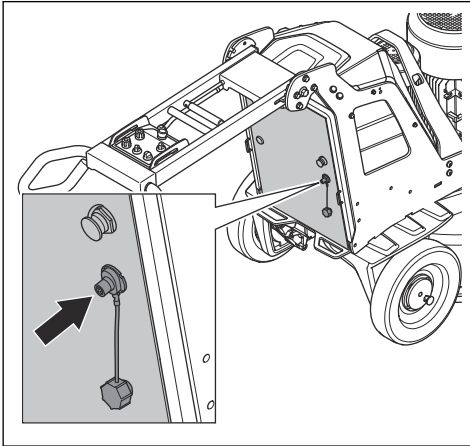
7. Gehen Sie mit den Pfeiltasten auf „VERBINDUNGS-AUFBAU“ und drücken Sie die Taste „OK“.
8. Eine Meldung auf dem Display zeigt an, ob der Kopplungsvorgang korrekt durchgeführt wurde. Wiederholen Sie den Vorgang, wenn er nicht ordnungsgemäß durchgeführt wurde.

## So verbinden Sie die Fernbedienung über ein CAN-Bus-Kabel mit dem Gerät

1. Stecken Sie ein Ende des CAN-Bus-Kabels in den Anschluss der Fernbedienung.



2. Stecken Sie das andere Ende des CAN-Bus-Kabels in den Anschluss an der Tür des Schaltkastens.



3. Ziehen Sie die Anschlusschrauben für das CAN-Bus-Kabel von Hand an.

### So starten Sie das Gerät mit der Fernbedienung



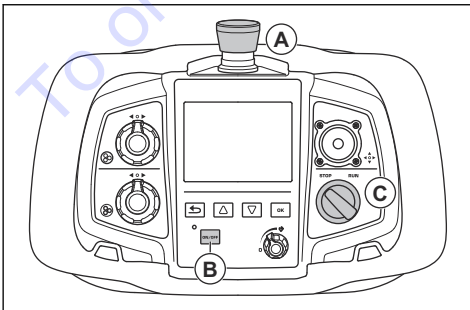
**ACHTUNG:** Bewegen Sie das Gerät die ganze Zeit, während der Schleifkopf eingeschaltet ist. Wenn Sie das Gerät nicht bewegen, kann die Oberfläche rau werden.

1. Drehen Sie die Sperrstifte am linken und rechten Rad, bis der Stift mit der Kerbe ausgerichtet ist. Siehe *So prüfen Sie die Sperrstifte für die Räder auf Seite 62*.

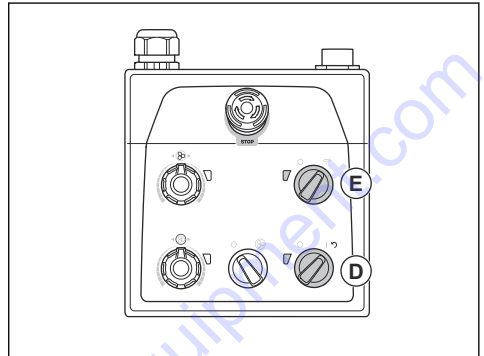


**WARNUNG:** Stellen Sie sicher, dass die zwei Sperrstifte ordnungsgemäß ausgerichtet sind. Wenn nur ein Sperrstift einrastet, besteht die Gefahr einer Verletzung oder Beschädigung beim Starten des Geräts.

2. Drehen Sie die Not-Aus-Taste (A) auf der Fernbedienung im Uhrzeigersinn, um sicherzustellen, dass sie deaktiviert ist.



3. Drücken Sie die ON/OFF-Taste (B) auf der Fernbedienung. Die Fernbedienung ist eingeschaltet, wenn das Display sich einschaltet.
4. Drehen Sie den START/STOPP-Schalter (C) auf der Fernbedienung auf STOP.
5. Schalten Sie den ON/OFF-Schalter (D) auf der Bedientafel auf „1“, um das Gerät zu starten. Die LED neben dem ON/OFF-Schalter leuchtet auf.



6. Drehen Sie den Schalter für die Auswahl zwischen Fernbedienung und manueller Bedienung (E) am Bedienfeld im Uhrzeigersinn, um das Gerät über die Fernbedienung zu bedienen. Die LED neben dem Schalter für die Auswahl zwischen Fernbedienung und manueller Bedienung blinkt.
7. Drehen Sie den START/STOPP-Schalter auf der Fernbedienung auf START, um den Arbeitsvorgang zu starten. In weniger als 5 Sekunden arbeitet das Gerät mit der Leerlaufdrehzahl. Der kleine Motor läuft nach ca. 2 Sekunden an.
8. Bewegen Sie den Joystick, um das Gerät zu steuern.



**ACHTUNG:** Bewegen Sie den Joystick vorsichtig. Wenn Sie den Joystick mit Gewalt bewegen, wird die Leistung des Geräts nicht gesteigert. Der Joystick kann beschädigt werden, wenn Sie ihn mit zu viel Kraft betätigen.



**ACHTUNG:** Heben Sie die Fernbedienung nicht am Joystick an.

**Hinweis:** Auf rauen Oberflächen kann es erforderlich sein, den Joystick nach vorn zu drücken, um die Oberflächenreibung der Diamantwerkzeuge zu verringern.



## So bedienen Sie das Gerät mit der Fernbedienung, wenn sie über ein CAN-Bus-Kabel angeschlossen ist



**WARNUNG:** Verwenden Sie die mit einem CAN-Bus-Kabel verbundene Fernbedienung nicht, wenn die Gefahr besteht, dass das Gerät herunterfallen kann. Der Bediener darf in keiner Weise mit dem Gerät verbunden sein.

- Schließen Sie das CAN-Bus-Kabel zwischen der Fernbedienung und dem Gerät an. Siehe *So verbinden Sie die Fernbedienung über ein CAN-Bus-Kabel mit dem Gerät auf Seite 77*.
- Stellen Sie sicher, dass die Sperrstifte für die Räder eingerastet sind. Siehe *So prüfen Sie die Sperrstifte für die Räder auf Seite 62*.

## So stoppen Sie das Gerät mit der Fernbedienung

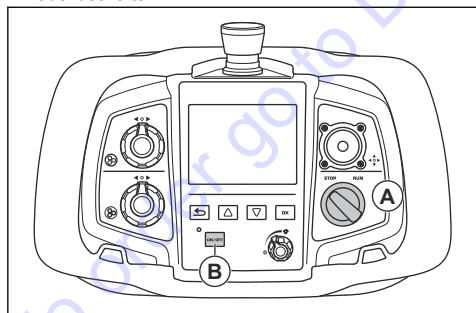


**ACHTUNG:** Heben Sie den Schleifkopf nicht von der Oberfläche ab, wenn Sie den Motor stoppen. Die Werkzeugplatten drehen sich nach dem Stoppen des Motors eine Weile lang weiter. Staub kann in die Luft gelangen und die Oberfläche kann beschädigt werden.



**ACHTUNG:** Lassen Sie das Gerät nicht stehen, bis die Werkzeugplatten ganz zum Stillstand gekommen sind.

1. Drehen Sie den START/STOPP-Schalter (A) auf der Fernbedienung auf STOP, um den Schleifkopf auszuschalten.



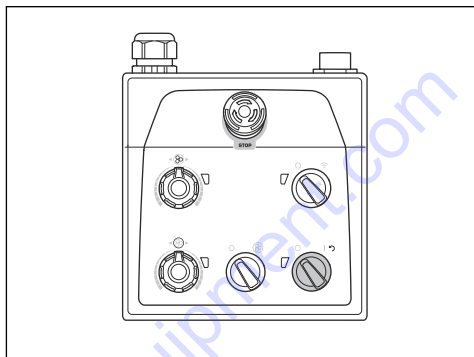
2. Halten Sie die Werkzeugplatten gegen die Oberfläche, bis sie vollständig zum Stillstand gekommen sind.



**ACHTUNG:** Wenn Sie klebenden Asphalt, Farbe oder ein gleichwertiges Material schleifen, kann sich das Gerät auf der Klebefläche festsetzen. Heben Sie unmittelbar nach dem vollständigen Anhalten der Werkzeugplatte die

Vorderseite des Schleifkopfes ein Stück an.

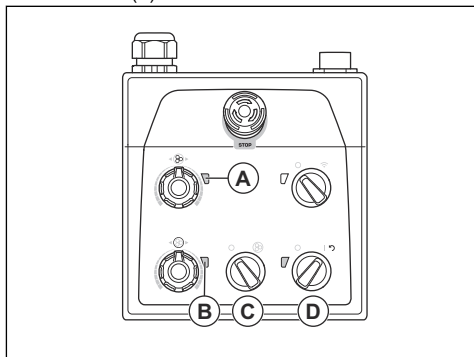
3. Drücken Sie die ON/OFF-Taste (B) auf der Fernbedienung. Das Display geht aus.
4. Schalten Sie den ON/OFF-Schalter auf dem Bedienfeld auf 0, um das Gerät zu stoppen. Die LED neben dem ON/OFF-Schalter erlischt.



5. Ziehen Sie den Netzstecker aus der Steckdose.

## So setzen Sie das Gerät mit der Bedientafel zurück

Der ON/OFF-Schalter kann als Reset-Schalter verwendet werden, wenn ein Wechselrichter auslöst. Setzen Sie das Gerät zurück, wenn die Anzeigen für den Wechselrichter zum Schleifkopf (A) bzw. zur Schleifscheibe (B) rot leuchten.

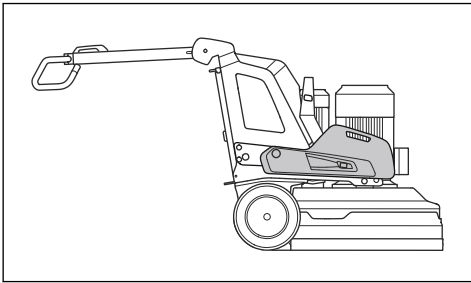


1. Drehen Sie den START/STOPP-Schalter (C) gegen den Uhrzeigersinn auf 0, um sicherzustellen, dass der Schleifkopf ausgeschaltet ist.
2. Stellen Sie den ON/OFF-Schalter auf die Pfeilposition (D), um das Gerät zurückzusetzen. Die Anzeigen für den Wechselrichter zum Schleifkopf und zur Schleifscheibe leuchten grün, wenn der Fehler zurückgesetzt ist.
3. Drehen Sie den START/STOPP-Schalter an der Bedientafel im Uhrzeigersinn, um den Schleifkopf wieder zu starten.

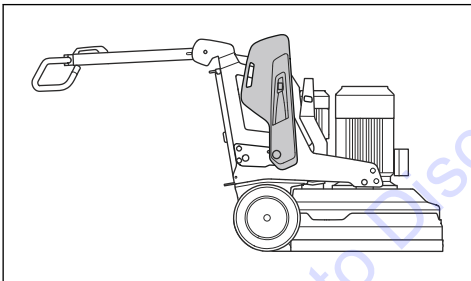
## Gewichte

Das Gerät verfügt über ein Gewicht auf jeder Seite des Geräts. Wenn das Gerät schwer zu bedienen ist, passen Sie die Gewichte an, um den Druck auf den Schleifkopf zu ändern. Die Gewichte müssen rechts und links auf die gleiche Position eingestellt werden. Die Gewichte haben 3 Positionen:

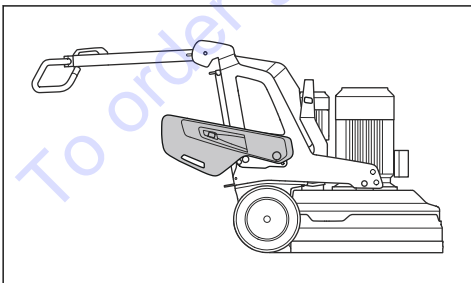
- Position 1: Maximaler Druck auf den Schleifkopf. Diese Position erhöht die Wirkung während des Betriebs. Diese Position wird auch verwendet, wenn Sie das Gerät in Transportposition bringen.



- Position 2: Normaler Druck auf den Schleifkopf.



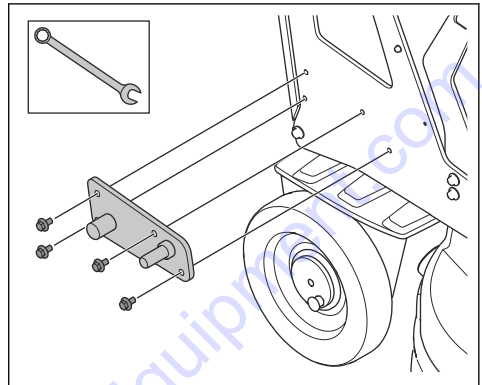
- Position 3: Minimaler Druck auf den Schleifkopf. Diese Position wird auch verwendet, wenn Sie das Gerät neigen, um es in die Wartungsposition zu bringen.



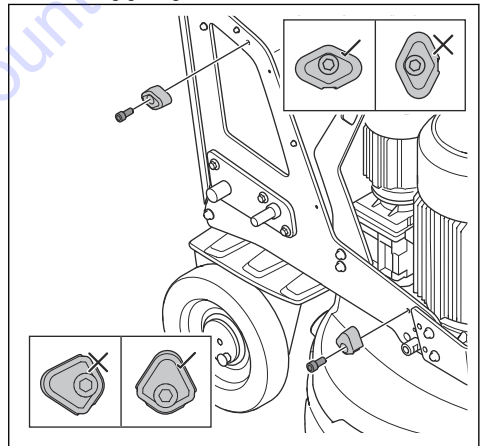
## So montieren und demontieren Sie die Gewichte

Das Gerät verfügt über ein Gewicht auf jeder Seite des Geräts. Führen Sie die folgenden Schritte für jedes Gewicht aus.

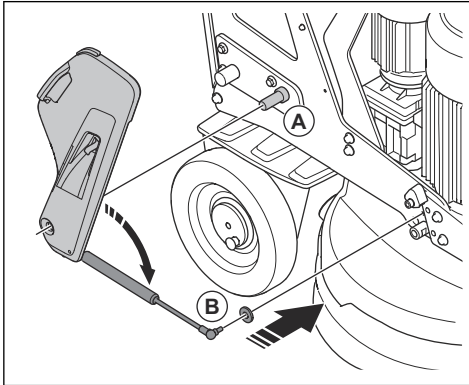
1. Installieren Sie den Gewichtshalter und ziehen Sie die 4 Schrauben an.



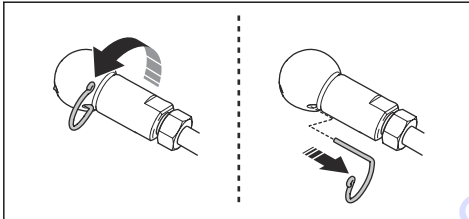
2. Installieren Sie die 2 Gewichtsklammern. Stellen Sie sicher, dass die Gewichtsklammern, wie in der Abbildung gezeigt, korrekt installiert sind.



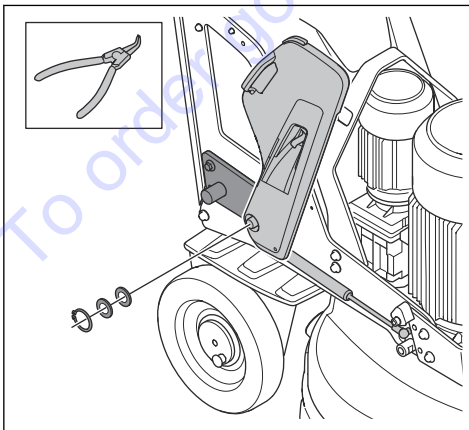
3. Setzen Sie das Gewicht auf den Zylinder (A) auf den Gewichtshalter.



4. Befestigen Sie die Gewichtsgasfeder am Gerät (B).  
 a) Entfernen Sie die Verriegelungsfeder des Kugelgelenks.



- b) Entfernen Sie das Kugelgelenk aus der Gasfeder.  
 c) Befestigen Sie das Kugelgelenk am Gerät.  
 d) Bringen Sie die Gasfeder am Kugelgelenk an.  
 Verriegeln Sie die Gasfeder mit der Verriegelungsfeder am Kugelgelenk.
5. Befestigen Sie das Gewicht mit dem Sicherungsring am Gewichtshalter.



## So stellen Sie die Gewichte ein

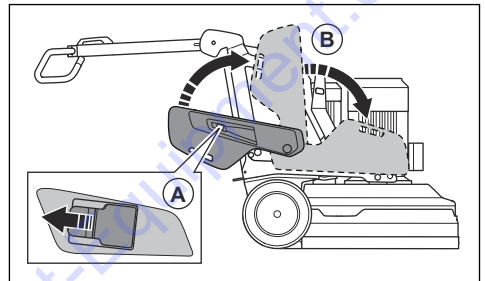


**WARNUNG:** Seien Sie vorsichtig, wenn Sie die Gewichte einstellen. Die beweglichen Teile können Verletzungen verursachen.



**WARNUNG:** Stellen Sie immer sicher, dass die Gewichtsverriegelung korrekt einrastet, wenn die Gewichte in die ausgewählte Position gebracht werden.

1. Drücken Sie auf die Gewichtsverriegelung (A) und bewegen Sie das Gewicht mit dem Gewichtsriff in eine ausgewählte Position (B). Siehe *Gewichte auf Seite 80*.



2. Lassen Sie die Gewichtsverriegelung los, um das Gewicht in der ausgewählten Position zu verriegeln.

# Wartung

## Einleitung



**WARNUNG:** Bevor Sie eine Wartung durchführen, müssen Sie das Kapitel über die Sicherheit lesen und verstehen.

Für alle Wartungs- und Reparaturarbeiten am Produkt ist eine spezielle Schulung erforderlich. Wir garantieren die Verfügbarkeit von professionellen Reparaturen und Wartungsarbeiten. Wenn Ihr Händler keine Servicewerkstatt ist, sprechen Sie mit ihm, um Informationen über die nächste Servicewerkstatt zu erhalten.

## Maßnahmen vor der Wartung

- Tragen Sie eine persönliche Schutzausrüstung. Siehe *Persönliche Schutzausrüstung auf Seite 58*.
- Tragen Sie einen zugelassenen Atemschutz. Der Staub, den das Gerät erzeugt, gefährdet Ihre Gesundheit.
- Stellen Sie das Gerät auf einer ebenen Fläche ab.
- Stoppen Sie den Motor und ziehen Sie den Netzstecker, um ein versehentliches Starten während der Wartung zu vermeiden.

- Befreien Sie den Bereich um das Gerät von Öl und Schmutz. Entfernen Sie unerwünschte Gegenstände.
- Geben Sie mithilfe von Schildern umstehenden Personen deutlich zu erkennen, dass gerade Wartungsarbeiten stattfinden.
- Bewahren Sie Feuerlöscher, medizinische Versorgung und ein Notfalltelefon in der Nähe auf.

## Wartungsplan

\* = Allgemeine Wartung durch den Bediener. Diese Anweisungen sind nicht in dieser Bedienungsanleitung enthalten.

X = Diese Anweisungen sind in dieser Bedienungsanleitung enthalten.

O = Diese Anweisungen sind nicht in dieser Bedienungsanleitung enthalten. Lassen Sie die Wartung von einer zugelassenen Servicewerkstatt durchführen.

Wartungsarbeit	Täglich	Wöchentlich	Alle 6 Monate	Alle 12-36 Monate
Überprüfung des EIN/AUS-Schalters auf dem Bedienfeld.	*			
Überprüfung der START/STOPP-Taste auf der Fernbedienung.	*			
Überprüfung der Not-Aus-Taste auf dem Bedienfeld.	X			
Überprüfung der Not-Aus-Taste auf der Fernbedienung.	X			
Überprüfung der Befestigungspunkte und der Verriegelungsfunktion des Griffs.		*		
Überprüfung der Befestigungspunkte und der Verriegelungsfunktion der Gewichte.		*		
Reinigen der Außenflächen des Geräts.	X			
Reinigen der inneren Bauteile des Geräts.			O	
Durchführen einer allgemeinen Inspektion.	X			
Überprüfen der Schleifscheiben.	X			
Funktionsprüfung des Antriebssystems für den Schleifkopf.		X		
Wartung des Antriebssystems für die Schleifscheiben.				O
Überprüfen der Verbindung zwischen Chassis und Schleifkopf.		*		

## So reinigen Sie das Gerät



**ACHTUNG:** Ein verstopfter Lufteinlass reduziert die Leistung des Geräts und kann dazu führen, dass der Motor zu heiß wird.

- Entfernen Sie Verstopfungen aus den Luftöffnungen. Das Gerät muss immer kühl bleiben.
- Ziehen Sie vor dem Reinigen immer den Netzstecker aus der Steckdose.
- Verwenden Sie keine Chemikalien zur Reinigung des Geräts.
- Reinigen Sie elektrische Bauteile nicht mit Wasser.
- Reinigen Sie am Ende des Arbeitstages stets die gesamte Ausstattung.
  - a) Kippen Sie das Gerät, bis der Lenker auf dem Boden steht.
  - b) Entfernen Sie die Diamantwerkzeuge, und betreiben Sie das Gerät für kurze Zeit mit der kleinsten Drehzahl. Betreiben Sie das Gerät, um die Staubmenge an der Oberseite des Schleifkopfes zu verringern.
  - c) Reinigen Sie die Bauteile an der Unterseite des Schleifkopfes mit einem Hochdruckreiniger.



**ACHTUNG:** Richten Sie den Hochdruckreiniger nicht direkt auf Dichtungen oder Verbindungsstellen.

## So reinigen Sie den Akku und das Ladegerät



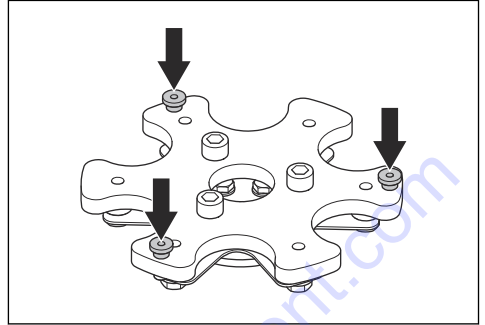
**ACHTUNG:** Reinigen Sie weder den Akku noch das Ladegerät mit Wasser.

- Stellen Sie sicher, dass der Akku und das Ladegerät sauber und trocken sind, bevor Sie den Akku in das Ladegerät einlegen.
- Reinigen Sie die Akkuklemmen mit Druckluft oder einem weichen, trockenen Tuch.
- Reinigen Sie die Oberflächen des Akkus und des Ladegeräts mit einem weichen, trockenen Tuch.

## So führen Sie eine allgemeine Inspektion durch

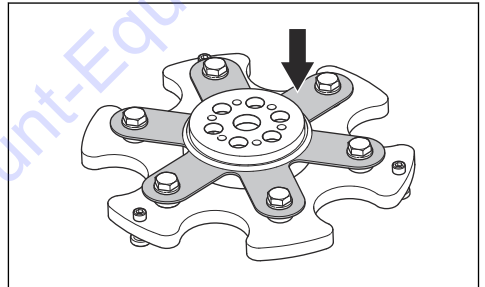
- Stellen Sie sicher, dass das Netzkabel und das Verlängerungskabel sich in einem guten Zustand befinden und nicht beschädigt sind.
- Vergewissern Sie sich, dass alle Muttern und Schrauben fest angezogen sind.

- Vergewissern Sie sich, dass alle Kopfverriegelungen fest angezogen sind. Wenn es notwendig ist, ziehen Sie die Kopfverriegelung fest und verwenden Sie eine LOCTITE® 680 Schraubensicherung.



## So prüfen Sie die Schleifscheiben

- Untersuchen Sie die Stahlfeder auf Beschädigungen und vergewissern Sie sich, dass sie in gutem Zustand ist.



- Ersetzen Sie beschädigte Stahlfedern.

**Hinweis:** Es ist nicht erforderlich, die Schleifscheibe zu entsorgen, wenn Sie die Stahlfeder austauschen.

- Fügen Sie eine zweite Stahlfeder hinzu, um den Federstahlkopf weniger flexibel zu machen.

## Antriebssystem für den Schleifkopf

Das Antriebssystem für den Schleifkopf ist ein geschlossenes System. Wenn Sie Probleme mit dem Antriebssystem des Schleifkopfes haben, wenden Sie sich an Ihre Husqvarna-Servicewerkstatt.

## Geräteakku

Der Geräteakku dient nur dazu, das Gerät der Fernbedienung vom Transportfahrzeug zum Arbeitsbereich zu bewegen. Der Geräteakku wird nicht für den Betrieb des Geräts verwendet. Das Gerät muss während des Betriebs an eine Stromversorgung angeschlossen sein.

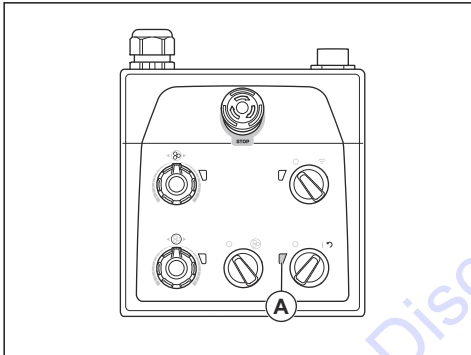
Vor der Erstbenutzung des Geräts muss zuerst der Akku aufgeladen werden.

Die Betriebszeit beträgt ca. 1 Stunde, wenn der Akku vollständig aufgeladen ist. Die Umgebungstemperatur und die Häufigkeit der Verwendung der Radmotoren können die Betriebszeit verkürzen.

### So laden Sie den Geräteakku an einer dreiphasigen Stromversorgung auf

Der Geräteakku wird aufgeladen, wenn das Gerät an eine dreiphasige Stromversorgung angeschlossen ist und in Betrieb ist. Die Aufladezeit bei einem leeren Akku beträgt ca. 3 bis 4 Stunden.

1. Der Akku darf nur bei einer Umgebungstemperatur zwischen 0 °C/32 °F und 40 °C/104 °F geladen werden.
2. Schließen Sie das Gerät an eine dreiphasige Stromversorgung an. Siehe *So schließen Sie das Gerät an die Stromversorgung an auf Seite 68*. Wenn der Akku aufgeladen wird, blinkt die Anzeige für die Stromversorgung und den Ladezustand des Geräteakkus (A) auf dem Bedienfeld.



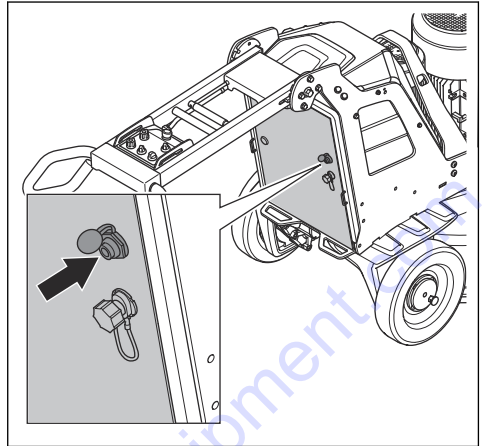
3. Wenn der Akku vollständig aufgeladen ist, erlischt die Anzeige für die Leistung und den Ladezustand des Geräteakkus.

### So laden Sie den Geräteakku an einer einphasigen Stromversorgung auf

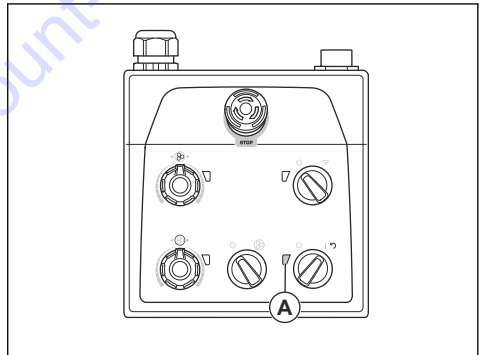
Die Aufladezeit bei einem leeren Akku beträgt ca. 3 bis 4 Stunden.

1. Der Akku darf nur bei einer Umgebungstemperatur zwischen 0 °C (32 °F) und 40 °C (104 °F) verwendet werden.

2. Schließen Sie das einphasige Ladekabel an den Anschluss für das Akkuladegerät an der Tür des Schaltkastens an.



3. Schließen Sie das andere Ende des einphasigen Ladekabels an eine Netzsteckdose an. Wenn der Akku aufgeladen wird, blinkt die Anzeige für die Stromversorgung und den Ladezustand des Geräteakkus (A) auf der Bedientafel.



4. Wenn der Akku vollständig aufgeladen ist, erlischt die Anzeige für die Stromversorgung und den Ladezustand des Geräteakkus.

### Akku der Fernbedienung

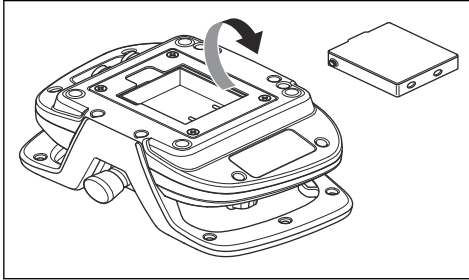
Die Betriebszeit beträgt ca. 8-10 Stunden, wenn der Akku der Fernbedienung vollständig aufgeladen ist. Wenn das Display häufig verwendet wird, kann sich die Betriebszeit verkürzen.

Vor der Erstbenutzung der Fernbedienung muss zuerst der Akku aufgeladen werden.

### So entfernen Sie den Akku und setzen ihn in der Fernbedienung ein

1. Drehen Sie die Fernbedienung, um Zugang zu der Rückseite zu erhalten, wo der Akku eingesetzt wird.

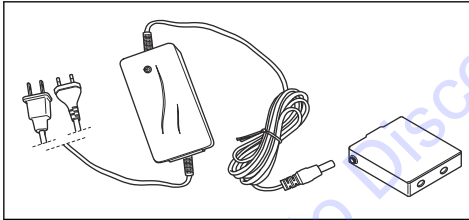
- Entfernen oder setzen Sie den Akku der Fernbedienung ein.



### So laden Sie den Akku der Fernbedienung mit dem Akkuladegerät auf

Die Ladezeit für einen leeren Akku der Fernbedienung beträgt mit dem Ladegerät ca. 2-3 Stunden.

- Entfernen Sie den Akku aus der Fernbedienung. Siehe *So entfernen Sie den Akku und setzen ihn in der Fernbedienung ein auf Seite 84*.
- Schließen Sie das Ladegerät an eine Steckdose an.
- Schließen Sie den Akku der Fernbedienung an das Ladegerät an. Die Anzeige am Akkuladegerät leuchtet orange, wenn der Akku der Fernbedienung aufgeladen wird.



- Wenn der Akku der Fernbedienung vollständig aufgeladen ist, leuchtet die Anzeige grün. Entfernen Sie den Akku der Fernbedienung aus dem Ladegerät.
- Trennen Sie das Ladegerät von der Steckdose.

### So laden Sie den Akku der Fernbedienung mit dem CAN-Bus-Kabel

Die Ladezeit mit dem CAN-Bus-Kabel ist länger als mit dem Ladegerät. Die Fernbedienung kann während des Ladevorgangs verwendet werden, wenn das CAN-Bus-Kabel angeschlossen ist.

**Hinweis:** Sie müssen das Gerät an eine Steckdose anschließen und den EIN-/AUS-SCHALTER auf 1 stellen, um den Akku der Fernbedienung aufzuladen.

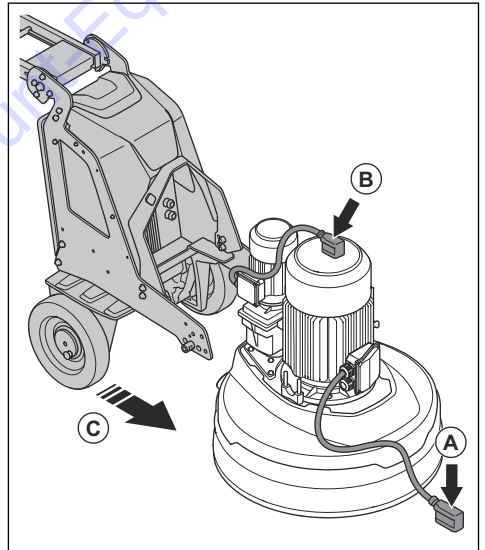
- Verbinden Sie die Fernbedienung über das CAN-Bus-Kabel mit dem Gerät. Siehe *So verbinden Sie die Fernbedienung über ein CAN-Bus-Kabel mit dem Gerät auf Seite 77*. Die Anzeige für den Geräteakku im Display der Fernbedienung leuchtet auf, wenn der Akku aufgeladen wird. Siehe *Übersicht über das Display auf Seite 54*.
- Wenn der Akku vollständig aufgeladen ist, erlischt die Anzeige für den Geräteakku.
- Trennen Sie das CAN-Bus-Kabel vom Gerät.
- Trennen Sie das CAN-Bus-Kabel von der Fernbedienung.

### So montieren und entfernen Sie den Schleifkopf



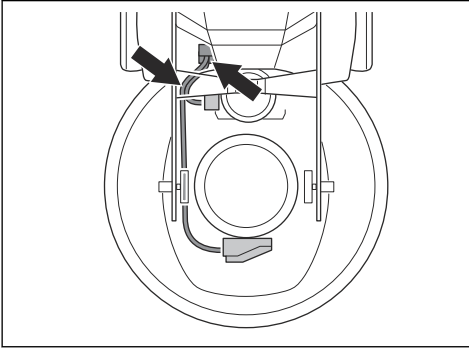
**WARNUNG:** Das Chassis ist nicht im Gleichgewicht, wenn der Schleifkopf entfernt wird. Stellen Sie sicher, dass das Chassis nicht umfallen kann. Dies kann zu Verletzungen oder Beschädigungen führen.

- Führen Sie das Motorkabel des vorderen Motors (A) vor den Schleifkopf.

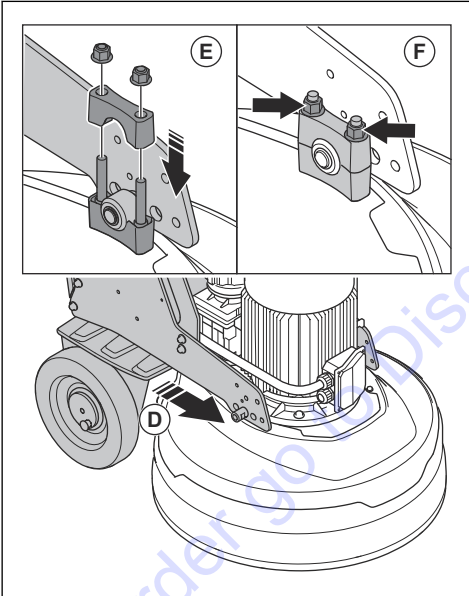


- Führen Sie das Motorkabel des hinteren Motors (B) oben auf den Motor.
- Schieben Sie das Chassis in die Nähe des Schleifkopfes (C).

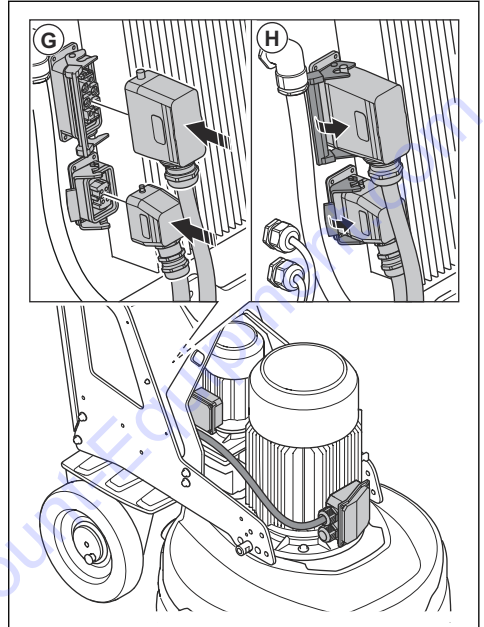
4. Führen Sie die Motorkabel durch den Schlitz zwischen dem Schleifkopf und dem Chassis.



5. Schieben Sie das Chassis ganz gegen den Schleifkopf (D). Stellen Sie sicher, dass das Chassis an der Halterung am Schleifkopf befestigt ist.



6. Installieren Sie die zweite Halterung (E) oben auf der Halterung am Schleifkopf.
7. Ziehen Sie die 2 Muttern (F) auf jeder Seite des Schleifkopfs an.
8. Stecken Sie die Motorkabel in die Steckdosen (G) am Schaltkasten.



9. Sichern Sie die Motorkabel an den Steckdosen (H) am Schaltkasten.
10. Entfernen Sie den Schleifkopf in umgekehrter Reihenfolge.



## Fehlerbehebung

Störung	Ursache	Lösung
Das Gerät springt nicht an.	Das Verlängerungskabel ist nicht angeschlossen oder beschädigt.	Das Verlängerungskabel anschließen oder ersetzen, falls erforderlich.
	Ein Not-Aus-Schalter ist aktiviert.	Die Not-Aus-Taste auf dem Bedienfeld und/oder der Fernbedienung im Uhrzeigersinn drehen, um sie zu deaktivieren.
	Der Sicherheitsschalter im Schaltkasten hat ausgelöst.	Den Sicherheitsschalter wieder schließen, um den Stromkreis zu schließen.
Das Gerät ist nicht leicht zu halten.	Es sind zu wenige Diamantwerkzeuge am Gerät installiert.	Die Anzahl der Diamantwerkzeuge erhöhen, um die Belastung des Geräts und des Bedieners zu verringern.
	Der große Schleifantriebsmotor arbeitet nicht.	Sicherstellen, dass der große Schleifantriebsmotor angeschlossen ist.
	Dies kann durch einen Motorfehler oder einen Fehler in der Verkabelung zum Motor verursacht werden.	Falls das Problem weiterbesteht, eine autorisierte Servicewerkstatt kontaktieren.
	Der Riemen ist defekt.	Wenn der Riemen defekt ist, bitte durch eine Servicewerkstatt austauschen lassen.  Eine der Schleifscheiben von Hand drehen. Wenn sich alle Schleifscheiben gemeinsam drehen, ist der Riemen intakt. Wenn eine Schleifscheibe frei dreht, ist der Riemen defekt.
	Es kommt nur 1 Phase in das Gerät. Das Gerät erhält keinen Fehlercode und verwendet weniger als 1 A Motorstrom. Der Lüfter dreht sich langsam.	Die Stromversorgung überprüfen.
	Die Oberfläche oder der Arbeitsvorgang überanspricht das Gerät.	Die Geschwindigkeit der Motoren und/oder die Vorwärtsgeschwindigkeit des Geräts über den Boden anpassen.
Das Gerät klingt so, als ob es die Geschwindigkeit zu stark erhöht.	Der kleine Schleifantriebsmotor ist nicht angeschlossen.	Sicherstellen, dass der kleine Schleifantriebsmotor angeschlossen ist.
	Der kleine Schleifantriebsmotor arbeitet nicht.	Sicherstellen, dass der kleine Schleifantriebsmotor angeschlossen ist.
	Dies kann durch einen Motorfehler oder einen Fehler in der Verkabelung zum Motor verursacht werden.	Falls das Problem weiterbesteht, bitte eine autorisierte Servicewerkstatt kontaktieren.
	Die Oberfläche ist zu dick oder die Diamantwerkzeugkonfiguration ist falsch.	Den Lenker leicht nach unten drücken, um den Schleifkopf beim Starten des Geräts von der Oberfläche anzuheben.

Störung	Ursache	Lösung
Das Produkt erzeugt ein unregelmäßiges Kratzmuster.	Die Diamantwerkzeuge sind falsch oder in unterschiedlichen Höhen an den Schleifscheiben angebracht.	Sicherstellen, dass alle Diamantwerkzeuge korrekt installiert sind und die gleiche Höhe haben.
	Es sind Diamantwerkzeuge verschiedenen Typs installiert	Sicherstellen, dass alle Segmente die gleiche Diamantkörnung und Bindung aufweisen. Wenn die Diamantsegmente ungeschliffen sind, die ungeschliffenen Diamantsegmente gleichmäßig verteilen. Das Gerät auf einer rauen Oberfläche betreiben, bis alle Segmente die gleiche Höhe haben.
	Die Kopfverriegelungen sind lose oder fehlen.	Sicherstellen, dass alle Kopfverriegelungen in Position und fest angezogen sind.
	Es sind verschiedene Harzwerkzeuge installiert oder sie weisen unerwünschte Verunreinigungen auf.	Sicherstellen, dass alle Harzwerkzeuge die gleiche Diamantkörnung und -bindung aufweisen und keine Verunreinigung vorliegt. Die Harzwerkzeuge zum Reinigen für kurze Zeit auf einer leicht rauen Oberfläche laufen lassen.
	Die Schleifscheiben sind verschlissen oder beschädigt.	Die Schleifscheiben auf Brüche oder übermäßige Bewegungen prüfen.
Es treten plötzlich unerwünschte Bewegungen im Gerät auf.	Die Schleifscheiben sind verschlissen oder beschädigt.	Die Schleifscheiben auf beschädigte Teile und übermäßige Bewegungen prüfen.
	Die Diamantwerkzeuge sind falsch oder in unterschiedlichen Höhen an den Schleifscheiben angebracht.	Sicherstellen, dass alle Diamantwerkzeuge korrekt installiert sind und dieselbe Höhe haben.
	Die Kopfverriegelungen sind lose oder fehlen.	Sicherstellen, dass alle Kopfverriegelungen in Position und fest angezogen sind.
Der interne Leistungsschalter löst aus.	Zu hohe Last oder nicht ausreichende Stromversorgung.	Die Stromversorgung überprüfen.
		Den Schleifdruck verringern, die Anzahl der Diamantwerkzeuge erhöhen oder die Bindungshärte erhöhen.
Das Display wechselt zu einem der Hauptmenüs, während das Gerät in Betrieb ist.	Störung der Funkverbindung zwischen der Fernbedienung und dem Gerät.	Einen anderen Funkkanal auswählen.
Die Bluetooth® Low Energy (BLE)-Verbindung zum Gerät kann nicht hergestellt werden.	Es ist keine Stromversorgung vorhanden.	Das Gerät an eine Stromversorgungsquelle anschließen.
	Der Akku-Schalter des BLE-Moduls befindet sich in der Position „AUS“.	Sicherstellen, dass der Akku-Schalter in der Position „EIN“ ist.
	Der Akku des BLE-Moduls ist leer.	Bitte eine autorisierte Servicewerkstatt kontaktieren.
	Die Antenne oder der Antennenanschluss ist beschädigt.	Bitte eine autorisierte Servicewerkstatt kontaktieren.

## Fehler- und Warmmeldungen auf der Fernbedienung

Wenn das Gerät stoppt und auf dem Display eine Fehlermeldung und ein Fehlercode angezeigt werden,

ist ein Fehler aufgetreten. Wenn sich die Meldungen auf Antriebsmotoren oder den Akku beziehen, kann das Gerät nur manuell bedient werden. Wenden Sie sich in diesem Fall an eine autorisierte Servicewerkstatt. Um das Gerät weiter betreiben zu können, muss der Fehler

behooben werden. Stellen Sie nach Behebung des Fehlers sicher, dass der START/STOPP-Schalter auf der Fernbedienung auf STOP steht.

Wenn das Warnsymbol in der Fernbedienung aufleuchtet und die Warnleuchte am Gerät schnell blinkt,

ist ein Fehler aufgetreten. Um den Fehler anzuzeigen, wählen Sie im Menüsystem der Fernbedienung das Menü „WARTUNG“ aus. Wählen Sie dann das Untermenü „FEHLERPROTOKOLL“, um den Fehler und eine mögliche Lösung anzuzeigen.

Fehler- oder Warn-code	Meldung auf dem Display	Ursache
0x010201	„Maschinenakkufehler, bitte Service kontaktieren!“	Der Akku funktioniert nicht.
0x010202		Kurzschluss beim Laden des Akkus.
0x010228		Die Akkuladezeit ist abgelaufen.
0x01020B	„Akku schwach!“	Der Akkustand ist niedrig.
0x010240	„Maschinenakkufehler, bitte Service kontaktieren!“	Akku falsch angeschlossen.
0x010115	„Traktionsüberlastung, bitte prüfen, ob die Maschine blockiert ist!“	Die Antriebsmotoren sind überlastet.
0x010140	„Traktionsmotorfehler, bitte Service kontaktieren, wenn der Fehler weiter besteht!“	Die Hall-Effekt-Sensoren des Antriebsmotors melden einen falschen Wert
0x010141	„Federstift(e) nicht im Antriebsrad/in den Antriebsrädern eingesetzt.“	Die Sperrstifte sind nicht eingerastet.
0x010540	„Funkfehler, bitte Service kontaktieren, wenn der Fehler weiter besteht!“	Keine Verbindung zum Gerät.
0x01070D	„Temperaturmessung funktioniert nicht, bitte Service kontaktieren!“	Die Gerätetemperatur kann nicht ausgelesen werden. Laden des Akkus nicht möglich.
0x01070F	„Temperatur in der Maschine zu hoch!“	Die Temperatur im Gerät ist zu hoch. Das Gerät wird angehalten.
0x01070E	„Temperatur in der Maschine zu niedrig!“	Die Temperatur im Gerät ist zu niedrig. Das Gerät wird angehalten.
0x010740	„Interner Fehler, bitte Service kontaktieren!“	Keine Verbindung zwischen Frequenzumrichtern und Schleifsteuergerät.

Fehler- oder Warn-code	Meldung auf dem Display	Ursache	
0x010300		Allgemeiner Fehler.	
0x010301	„Antriebsfehler Schleifscheibe, bitte Service kontaktieren, wenn der Fehler weiter besteht!“	Interner Fehler im Frequenzumrichter.	
0x010301 - 0x010376	“		
0x010302	„Eingangsspannung zu niedrig!“		
0x010307	„Temperatur in der Maschine zu hoch!“		
0x01030F			
0x010317	„Motorüberlastung, bitte Service kontaktieren, wenn der Fehler weiter besteht!“		
0x010318	„Antriebsfehler Schleifscheibe, bitte Service kontaktieren, wenn der Fehler weiter besteht!“		
0x010319			
0x01034A			
0x01034B	„Temperatur in der Maschine zu hoch!“		
0x01034C			
0x01035D	„Motorüberlastung, bitte Service kontaktieren, wenn der Fehler weiter besteht!“		
0x010400	„Antriebsfehler Planetenschleifkopf, bitte Service kontaktieren, wenn der Fehler weiter besteht!“		Allgemeiner Fehler.
0x010401 - 0x010474	„Eingangsspannung zu niedrig!“	Interner Fehler im Frequenzumrichter.	
0x010402			
0x01040F			
0x010407			„Temperatur in der Maschine zu hoch!“
0x01044B			
0x020228	„Akku der Fernbedienung muss ausgetauscht werden!“	Die Akkuladezeit ist abgelaufen.	
0x020424	„Software-Update für Maschine oder Fernbedienung erforderlich, bitte Service kontaktieren!“	Keine Verbindung zwischen der Fernbedienung und dem Gerät.	
0x020441	„Die Uhr läuft nicht mehr. Bei Bedarf ist dieser Zustand zu korrigieren.“	Die Uhr der Fernbedienung zeigt nicht die richtige Zeit an.	

## Transport, Lagerung und Entsorgung

### Transport



**WARNUNG:** Seien Sie beim Transport vorsichtig. Das Gerät ist schwer und kann Verletzungen oder Schäden verursachen, wenn es beim Transport umfällt oder sich bewegt.

Bei kürzeren Strecken können Sie das Gerät mit den Rädern manuell bewegen. Bei längeren Strecken heben Sie das Gerät an, um es zu bewegen, oder platzieren Sie es auf einem Fahrzeug.

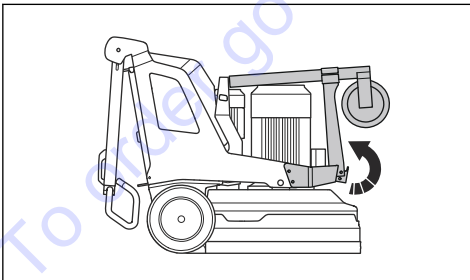


**ACHTUNG:** Ziehen Sie das Gerät nicht mit einem Fahrzeug.

- Seien Sie sehr vorsichtig, wenn Sie das Gerät manuell oder auf geneigten Oberflächen bewegen. Kleine Steigungen können zu einer schnellen Bewegung führen, die nicht von Hand gebremst werden kann.
- Sichern Sie das Gerät während des Transports. Sorgen Sie dafür, dass sich das Gerät während des Transports nicht bewegen kann.
- Schützen Sie das Gerät während des Transports. Durch diesen Schutz werden Naturelemente wie Regen und Schnee vom Gerät ferngehalten.
- Verwenden Sie immer die Hebeöse am Gerät, wenn Sie das Gerät anheben.
- Heben Sie das Gerät nicht am Lenker, Motor, Chassis oder anderen Teilen an.
- Der Transport erfolgt am besten auf einer Palette.
- Heben Sie das Gerät immer mit einer Winde oder einem Gabelstapler an.
- Verwenden Sie keinen Gabelstapler, wenn das Gerät nicht auf einer Palette oder einem Wagen steht. Dies kann unter Umständen zu irreparablen Schäden an den Schleifscheiben und anderen internen Bauteilen führen.
- Während des Transports muss der Schleifkopf auf dem Boden stehen. Lassen Sie die Werkzeugplatten installiert, um Schäden am Verriegelungsmechanismus der Werkzeugplatten zu vermeiden.

## So bringen Sie das Gerät in die Transportposition

- Heben Sie das Stützrad an. Siehe *So stellen Sie das Stützrad für den Kurzstreckentransport ein auf Seite 92*.



- Klappen Sie den Griff nach unten. Siehe *So verstellen Sie den Griff und den Lenker auf Seite 68*.
- Wenn die Gewichte am Gerät angebracht sind, stellen Sie die Gewichte in die vordere Position. Siehe *So stellen Sie die Gewichte ein auf Seite 81*.
- Stellen Sie sicher, dass der Schleifkopf die Oberfläche berührt.

## Stützrad

Das Stützrad hebt den Schleifkopf ein kleines Stück vom Boden ab, um den Kurzstreckentransport zu erleichtern.

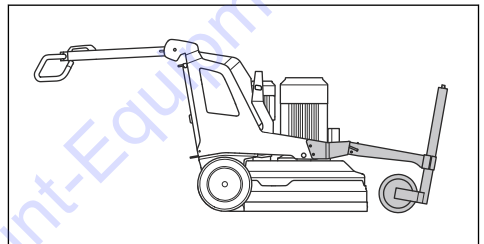


**ACHTUNG:** Verwenden Sie das Stützrad nur, um das Gerät über kurze Strecken zu bewegen. Das Stützrad darf nur im Arbeitsbereich oder auf und neben einem Transportfahrzeug verwendet werden.

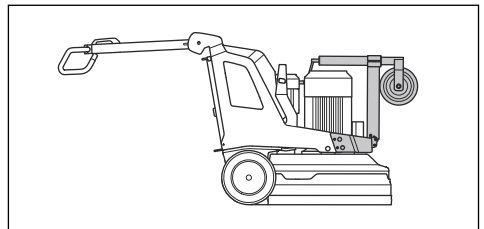


**WARNUNG:** Seien Sie vorsichtig, wenn Sie das Stützrad einbauen, entfernen oder einstellen. Die beweglichen Teile können Verletzungen verursachen.

- Stützradposition für kurze Transportstrecken. Siehe *So stellen Sie das Stützrad für den Kurzstreckentransport ein auf Seite 92*.

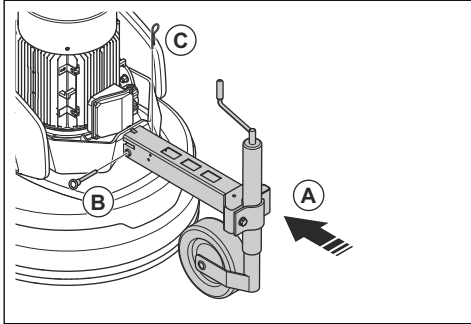


- Stützradposition für Betrieb und Transport des Geräts über lange Strecken. Siehe *So bringen Sie das Stützrad in die Betriebsposition auf Seite 92*.



## So stellen Sie das Stützrad für den Kurzstreckentransport ein

1. Legen Sie den Stützradrahmen (A) gegen den Geräterahmen.

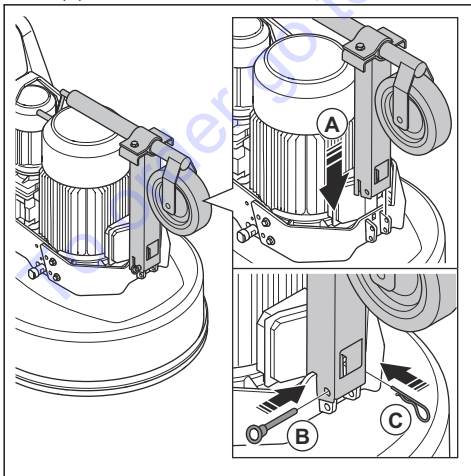


- a) Falls erforderlich, lösen Sie die Schraube an der Vorderseite des Stützradrahmens, um das Rad zu lösen. Dadurch ist es möglich, den Stützradrahmen im richtigen Winkel gegen den Geräterahmen zu legen.
2. Schieben Sie den Stützradstift (B) in das Stützrad und verriegeln Sie den Stützradstift mit dem Splint (C).
3. Entfernen Sie das Stützrad in umgekehrter Reihenfolge.

## So bringen Sie das Stützrad in die Betriebsposition

Die Betriebsposition wird auch für den Transport des Geräts über lange Strecken verwendet.

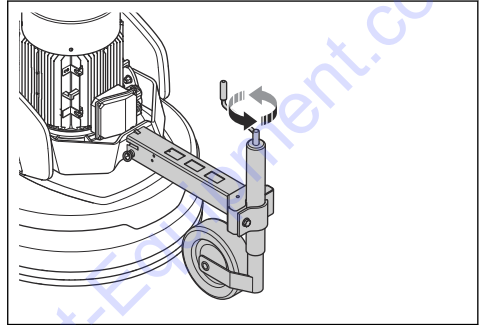
1. Bringen Sie das Stützrad in eine vertikale Position.
2. Senken Sie das Stützrad gegen den Geräterahmen ab (A).



3. Schieben Sie den Stützradstift (B) in das Stützrad und verriegeln Sie den Stützradstift mit dem Splint (C).
4. Entfernen Sie das Stützrad in umgekehrter Reihenfolge.

## So stellen Sie die Höhe des Stützrads ein

1. Stellen Sie das Stützrad für kurze Transportwege ein. Siehe *So stellen Sie das Stützrad für den Kurzstreckentransport ein auf Seite 92*.
2. Drehen Sie den Griff an der Vorderseite des Stützrads, um das Stützrad anzuheben oder abzusenken.



## So bewegen Sie das Gerät mit dem Stützrad

1. Stellen Sie das Stützrad auf die Position für kurze Transportstrecken. Siehe *So stellen Sie das Stützrad für den Kurzstreckentransport ein auf Seite 92*.
2. Senken Sie das Stützrad ab, um den Schleifkopf vom Boden anzuheben. Siehe *So stellen Sie die Höhe des Stützrads ein auf Seite 92*.
3. Bewegen Sie das Gerät manuell oder mithilfe der Fernbedienung.

## So bewegen Sie das Gerät eine Rampe hoch bzw. herunter



**WARNUNG:** Seien Sie besonders vorsichtig, wenn Sie das Gerät eine Rampe hoch- bzw. herunterbewegen und der Motor eingeschaltet ist. Das Gerät ist schwer und kann Verletzungen verursachen, wenn es umfällt oder zu schnell bewegt wird.



**WARNUNG:** Verwenden Sie bei Rampen mit großem Winkel immer eine Winde. Gehen oder stehen Sie nicht unter dem Gerät. Bleiben Sie nicht im Risikobereich um das Gerät herum. Siehe *Sicherheit im Arbeitsbereich auf Seite 58*.



**WARNUNG:** Bewegen Sie das Gerät nicht auf oder von einer Rampe, wenn der Akku der Fernbedienung schwach ist. Die Stromversorgung des Geräts kann plötzlich ausfallen.



**WARNUNG:** Bewegen Sie das Gerät nicht an steilen Hängen. Informationen zum maximalen Neigungswinkel finden Sie auf dem Typenschild des Geräts.

- Um das Gerät eine Rampe herunter zu bewegen, bedienen Sie es langsam rückwärts.
- Um das Gerät eine Rampe herauf zu bewegen, bedienen Sie es langsam vorwärts.
- Drehen Sie das Produkt auf einer Rampe nicht mehr als 45°.

## So heben Sie das Gerät an



**WARNUNG:** Stellen Sie sicher, dass die Hebeausrüstung den richtigen Spezifikationen entspricht, um das Gerät sicher anheben zu können. Das Typenschild des Geräts zeigt das Gerätegewicht.

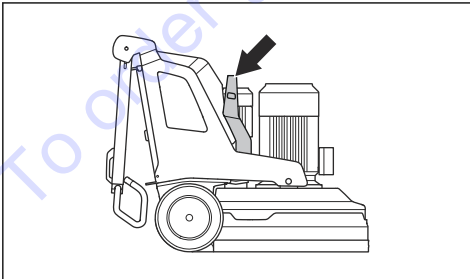


**WARNUNG:** Laufen oder stehen Sie nicht unterhalb oder in der Nähe eines hängenden Geräts. Halten Sie unbefugte Personen vom Risikobereich fern. Siehe *Sicherheit im Arbeitsbereich auf Seite 58*.



**WARNUNG:** Heben Sie ein Gerät nicht an, wenn es beschädigt ist. Stellen Sie sicher, dass die Hebeöse richtig montiert und unbeschädigt ist.

1. Bringen Sie das Gerät in die Transportposition. Siehe *So bringen Sie das Gerät in die Transportposition auf Seite 91*.
2. Befestigen Sie die Hebeausrüstung an der Hebeöse.



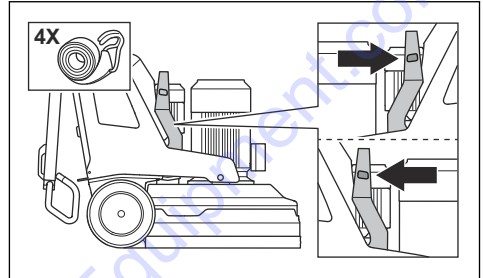
## So befestigen Sie das Gerät auf einem Transportfahrzeug



**ACHTUNG:** Verwenden Sie nicht das Stützrad, um das Gerät zu befestigen. Das Stützrad ist nicht stabil genug und kann beschädigt werden.

Das Gerät verfügt über Bohrungen, die mit Zurrgurten zur Befestigung des Geräts an einem Transportfahrzeug verwendet werden.

1. Befestigen Sie die Zurrgurte in den Bohrungen.



2. Befestigen Sie die Zurrgurte am Fahrzeug und ziehen Sie sie fest.

## Lagerung



**ACHTUNG:** Lagern Sie das Gerät nicht im Freien. Lagern Sie das Gerät immer in einem Gebäude.

- Bewahren Sie das Gerät an einem trockenen und frostfreien Platz auf.
- Reinigen Sie das Gerät und führen Sie umfassende Wartungsarbeiten durch, bevor Sie es längere Zeit einlagern.
- Heben Sie das Stützrad an. Der Schleifkopf muss auf dem Boden stehen.
- Bewahren Sie das Gerät in einem verschlossenen Bereich auf, um den unbefugten Zugriff durch Kinder oder andere Personen zu verhindern.
- Bewahren Sie das Akkuladegerät an einem trockenen und frostfreien Platz auf.
- Entfernen Sie den Akku aus der Fernbedienung, wenn das Gerät länger als 6 Monate gelagert wird.
- Laden Sie den Geräteakku alle 6 Monate auf, wenn das Gerät längere Zeit gelagert wird.

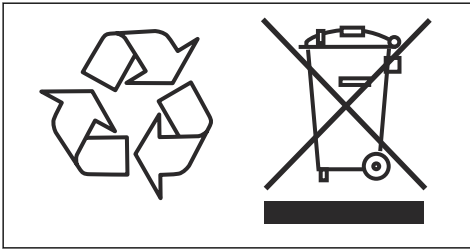
## Entsorgung

Durch Symbole auf dem Produkt oder seiner Verpackung wird angezeigt, dass dieses Produkt nicht über den Hausmüll entsorgt werden darf. Es ist einer entsprechenden Recyclingstation zuzuführen, damit

elektrische und elektronische Komponenten  
wiedergewonnen werden können.

Stellen Sie sicher, dass das Gerät vom Stromnetz  
getrennt ist und entfernen Sie die Akkus aus der  
Fernbedienung, bevor Sie es einer geeigneten  
Recyclingstation übergeben. Informieren Sie die  
Recyclingstation, dass sich im Gerät ein Lithium-Ionen-  
Akku befindet. Geben Sie die Akkus bei einer  
geeigneten Recyclingstation ab.

Dadurch, dass Sie sicherstellen, dass Sie mit diesem  
Gerät sorgfältig umgehen, können Sie helfen, den  
potentiellen negativen Auswirkungen auf die Umwelt  
und Ihre Mitmenschen entgegenzuwirken, die sich  
andernfalls durch eine unsachgemäße Entsorgung  
dieses Geräts ergeben können. Genauere Informationen  
über die ordnungsgemäße Entsorgung dieses Geräts  
erhalten Sie bei Ihrer Stadtverwaltung, Ihrem  
Abfallentsorgungsunternehmen oder dem Geschäft, in  
dem Sie Ihr Gerät gekauft haben.





## Technische Daten

### Technische Daten

	<b>PG 690</b> <b>3x380–415 V</b>	<b>PG 690 RC</b> <b>3x380–415 V</b>	<b>PG 830</b> <b>3x380–415 V</b>	<b>PG 830 RC</b> <b>3x380–415 V</b>
Maximale Leistung in kW/PS	12,5/17	12,5/17	16,5/22	16,5/22
Nennstrom, A	30	30	30	30
Nennspannung, V	380-415	380-415	380-415	380-415
Phasen	3-phasig	3-phasig	3-phasig	3-phasig
Frequenz, Hz	50-60	50-60	50-60	50-60
Gewicht, kg/lbs	502/1.107	598/1.318	556/1.226	652/1.437
Schleifbreite, mm/Zoll	630/24,8	630/24,8	800/31,5	800/31,5
Schleifscheibe, mm/Zoll	3x270/10,5	3x270/10,5	3x270/10,5	3x270/10,5
Schleifdruck, kg/lbs	228/503	242/534	288/635	302/666
Schleifdruck mit Stützrad, kg/lbs	265/584	279/615	325/717	339/747
Gewicht in Position 1 (vorne), kg/lbs	292/644	307/677	348/767	362/798
Gewicht in Position 1 (vorne) mit Stützrad, kg/lbs	329/725	343/756	385/849	399/880
Gewicht in Position 2 (vertikal), kg/lbs	227/500	237/522	299/659	313/690
Gewicht in Position 2 (vertikal) mit Stützrad, kg/lbs	264/582	273/602	336/741	350/772
Gewicht in Position 3 (hinten), kg/lbs	185/408	198/437	245/540	259/571
Gewicht in Position 3 (hinten) mit Stützrad, kg/lbs	221/487	235/518	282/622	296/653
Schleifscheibendrehzahl, min/max U/min	441-1.470	441-1.470	421-1.403	421-1.403
Schleifkopfdrehzahl, min/max U/min	10-57	10-57	9-47	9-47
Rotationsrichtung	Unabhängige Rotationsrichtung im Uhrzeigersinn/gegen den Uhrzeigersinn für Schleifscheiben und Schleifkopf.			
Max. zulässiges Gefälle, Grad (°)	10	10	10	10
Gehäuse, IP	54	54	54	54
Akkutyp	-	Li-Ionen	-	Li-Ionen
<b>Empfohlener Staubabsauger<sup>6</sup></b>				

<sup>6</sup> Technische Daten für Staubabsauger beschreiben nicht abschließend die tatsächliche Leistung im Zeitverlauf zwischen verschiedenen Staubabsaugern.

	PG 690 3x380–415 V	PG 690 RC 3x380–415 V	PG 830 3x380–415 V	PG 830 RC 3x380–415 V
Staubabsaugeraufsatz, mm/Zoll	76/3	76/3	76/3	76/3
Min. Luftstrom, m <sup>3</sup> /h /CFM	600/353	600/353	815/480	815/480
Min. Vakuum, kPa/psi	28/4,1	28/4,1	30/4,4	30/4,4
<b>Funkbereich für Bluetooth® Low Energy Technology<sup>7</sup></b>				
Frequenzbänder für das Werkzeug, GHz	-	2,402-2,480	-	2,402-2,480
Maximale übertragene Funkfrequenzleistung, dBm/mW	-	4/2,5	-	4/2,5

## Funkfrequenzdaten

	PG 690 RC	PG 830 RC
Maximale übertragene Funkfrequenzleistung, dBmi	Weniger als 10	Weniger als 10

## Lautstärke

	PG 690	PG 690 RC	PG 830	PG 830 RC
<b>Geräuschemissionen<sup>8</sup></b>				
Gemessener Schallleistungspegel L <sub>W</sub> dB(A)	93,7	93,7	95,4	95,4
<b>Lautstärke<sup>9</sup></b>				
Schalldruckpegel am Ohr des Bedieners, L <sub>p</sub> , dB (A)	77,9	77,9	78,7	78,7
<b>Vibrationspegel<sup>10</sup></b>				
Griff rechts, m/s <sup>2</sup>	2,2	2,2	1,7	1,7
Griff links, m/s <sup>2</sup>	2,1	2,1	1,5	1,5

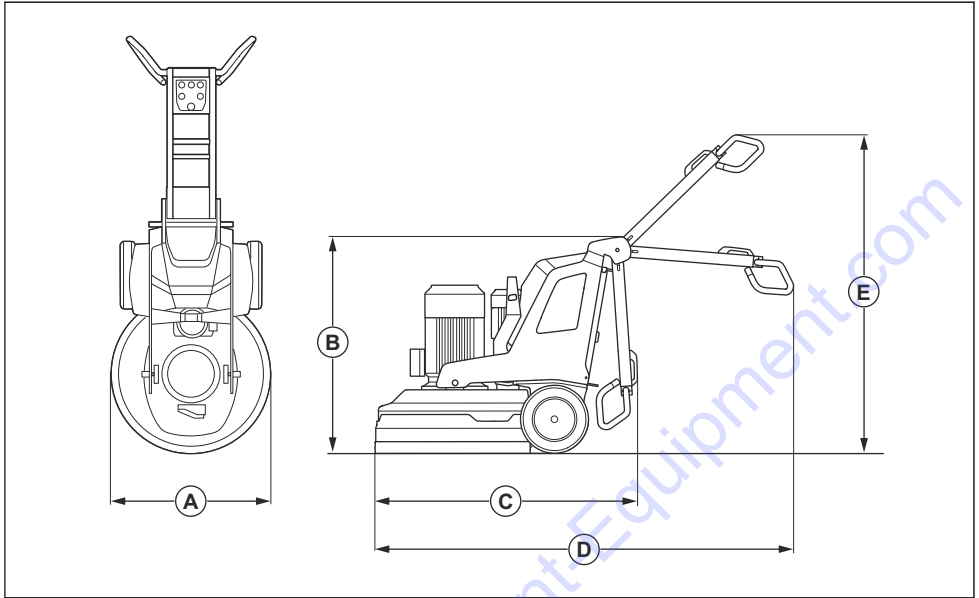
<sup>7</sup> Dieser Abschnitt gilt nur für Geräte mit integrierter Konnektivität.

<sup>8</sup> Umweltbelastende Geräuschemissionen gemessen als Schallleistung gemäß EN 60335-2-72. Erwartete Messunsicherheit 2,5 dB(A)

<sup>9</sup> Schalldruckpegel gemäß EN 60335-2-72 Erwartete Messunsicherheit 4 dB(A)

<sup>10</sup> Vibrationspegel gemäß EN 60335-1 und EN 60335-2-72. Berichten zufolge liegt der Vibrationspegel normalerweise bei einer Ausbreitungsklasse (Standardabweichung) von 1 m/s<sup>2</sup>. Die Vibrationswerte gelten für den manuellen Betrieb.

## Gerätemaße



		PG 690	PG 690 RC	PG 830	PG 830 RC
<b>A</b>	Breite, mm/Zoll	670/26,4	670/26,4	830/32,7	830/32,7
<b>B</b>	Min. Gesamthöhe (Griff eingeklappt), mm/Zoll	1150/45,3	1155/45,5	1145/45,1	1155/45,5
<b>C</b>	Min. Gesamtlänge (Griffe eingeklappt), mm/Zoll	1300/51,2	1320/52	1550/61	1410/55,5
<b>D</b>	Max. Gesamtlänge (Griffe ausgeklappt), mm/Zoll	2065/81,3	2077/81,8	2215/87,2	2165/85,2
<b>E</b>	Max. Gesamthöhe (Griffe ausgeklappt), mm/Zoll	1755/69,1	1715/67,5	1700/66,9	1715/67,5

---

## EU-Konformitätserklärung

---

### EU-Konformitätserklärung

Beschreibung	Polier- und Schleifausrüstung
Marke	Husqvarna
Typ/Modell	PG 690, PG 830
Identifizierung	Seriennummern ab 2019

die folgenden EU-Richtlinien und -Vorschriften erfüllt:

Richtlinie/Vorschrift	Beschreibung
2006/42/EC	„Maschinenrichtlinie“

und dass die harmonisierten Normen und/oder technischen Daten wie folgt angewendet werden;

EN ISO 12100:2010

EN 60335-1:2012/A11:2014/AC:2014

EN 60335-2-72:2012

Partille, 2019-10-17

**TO PURCHASE THIS PRODUCT PLEASE CONTACT US**



**Equipment Financing and  
Extended Warranties Available**



**Discount-Equipment.com is your online resource for  
commercial and industrial quality parts and equipment sales.**

**561-964-4949**

**visit us on line @ [www.discount-equipment.com](http://www.discount-equipment.com)**

Select an option below to find your Equipment

**Search by Manufacturer**

**Search by Product Type**

**Request a Quote**

We sell worldwide for the brands: Genie, Terex, JLG, MultiQuip, Mikasa, Essick, Whiteman, Mayco, Toro Stone, Diamond Products, Generac Magnum, Airman, Haulotte, Barreto, Power Blanket, Nifty Lift, Atlas Copco, Chicago Pneumatic, Allmand, Miller Curber, Skyjack, Lull, Skytrak, Tsurumi, Husquvarna Target, Stow, Wacker, Sakai, Mi-T-M, Sullair, Basic, Dynapac, MBW, Weber, Bartell, Bennar Newman, Haulotte, Ditch Runner, Menegotti, Morrison, Contec, Buddy, Crown, Edco, Wyco, Bomag, Laymor, EZ Trench, Bil-Jax, F.S. Curtis, Gehl Pavers, Heli, Honda, ICS/PowerGrit, IHI, Partner, Imer, Clipper, MMD, Koshin, Rice, CH&E, General Equipment, Amida, Coleman, NAC, Gradall, Square Shooter, Kent, Stanley, Tamco, Toku, Hatz, Kohler, Robin, Wisconsin, Northrock, Oztec, Toker TK, Rol-Air, APT, Wylie, Ingersoll Rand / Doosan, Innovatech, Con X, Ammann, Mecalac, Makinex, Smith Surface Prep, Small Line, Wanco, Yanmar

---

## EU-Konformitätserklärung

---

### EU-Konformitätserklärung

Beschreibung	Polier- und Schleifausrüstung
Marke	Husqvarna
Typ/Modell	PG 690 RC, PG 830 RC
Identifizierung	Seriennummern ab 2019

die folgenden EU-Richtlinien und -Vorschriften erfüllt:

Richtlinie/Vorschrift	Beschreibung
2006/42/EC	„Maschinenrichtlinie“
2014/53/EU	„zu Funkanlagen“

und dass die harmonisierten Normen und/oder technischen Daten wie folgt angewendet werden;

EN ISO 12100:2010

EN 60335-1:2012/A11:2014/AC:2014

EN 60335-2-72:2012

EN IEC 61000-6-2:2019

EN 61000-6-4:2007+A1:2011

ETSI EN 301 489-1 V2.2.0

ETSI EN 301 489-17 V3.2.0

ETSI EN 300 328 V2.1.1

Partille, 2019-10-17

# Sommaire

Introduction.....	100	Dépannage.....	137
Sécurité.....	106	Transport, entreposage et mise au rebut.....	140
Utilisation.....	113	Caractéristiques techniques.....	145
Entretien.....	132	Déclaration de conformité CE.....	148

## Introduction

### Description du produit

Le produit est une meuleuse de sol pour les surfaces de différentes duretés.

Les modèles PG 690 RC, PG 830 RC peuvent être utilisés à l'aide d'une télécommande.

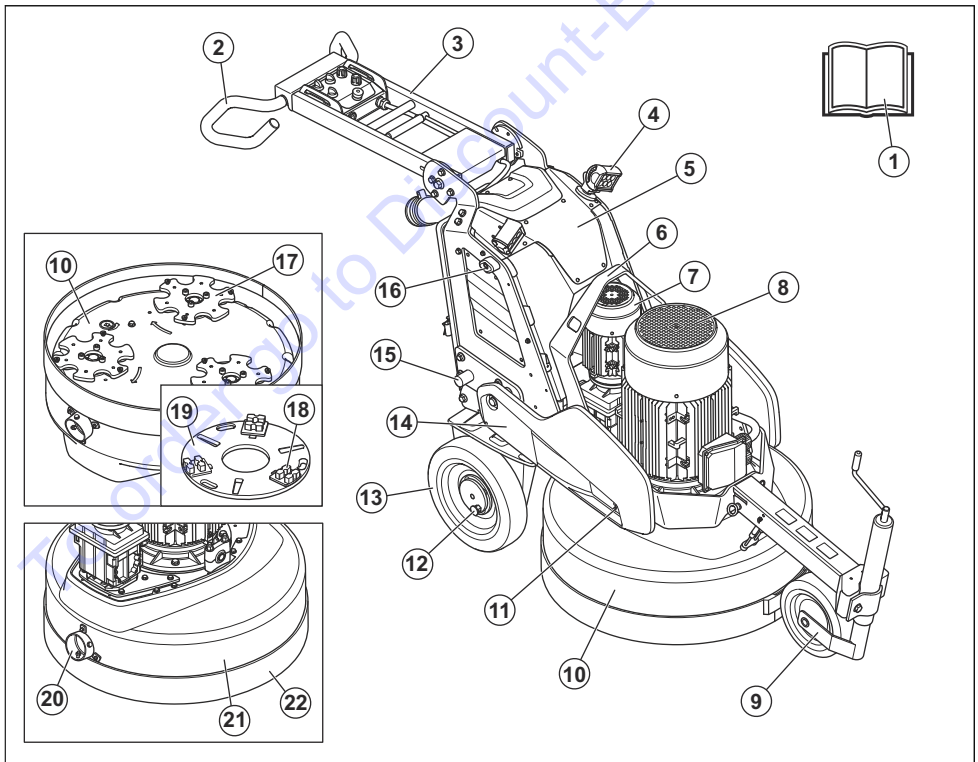
### Utilisation prévue

Le produit est conçu pour meuler les surfaces de matériaux de différentes duretés, comme la pierre

naturelle, le terrazzo et le béton. Le produit est également conçu pour meuler les matériaux de revêtement, comme l'époxy ou la colle. La finition de la surface peut être rugueuse ou lisse. Le produit peut être utilisé pour le meulage à sec ou le meulage avec arrosage. N'utilisez pas ce produit pour d'autres travaux.

Le produit est conçu pour un usage commercial par des opérateurs professionnels.

### Présentation du produit, côté droit

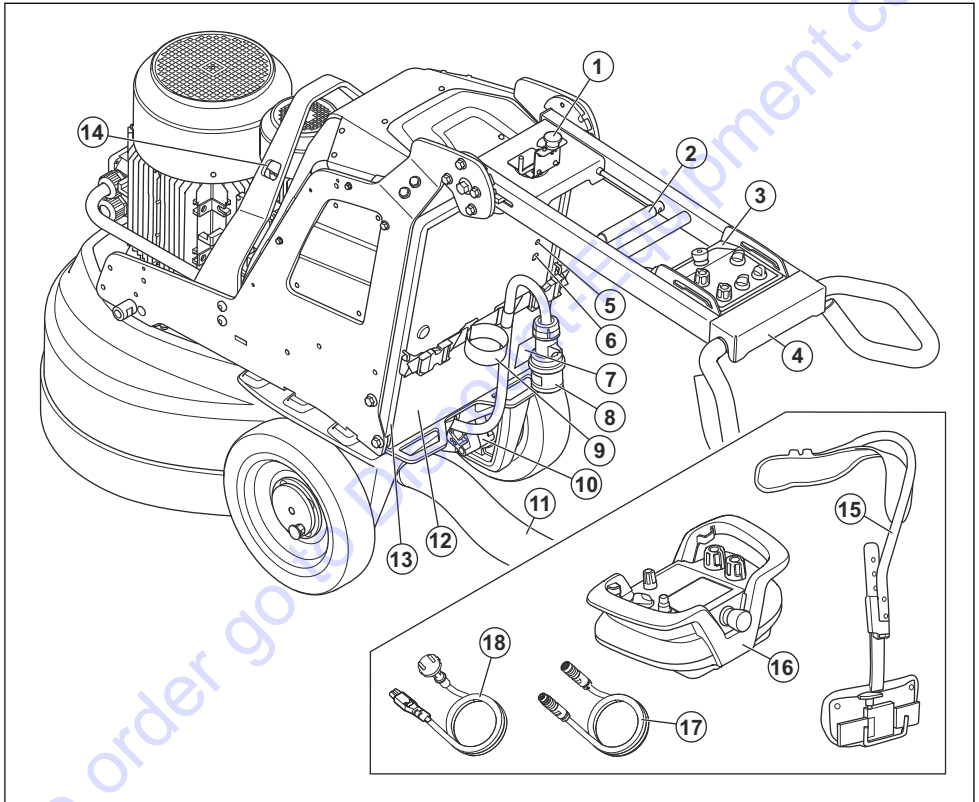


1. Manuel de l'opérateur

2. Guidon

- |                                   |  |
|-----------------------------------|--|
| 3. Poignée                        | 13. Roue                                 |
| 4. Phares (accessoires)           | 14. Poids (accessoire)                   |
| 5. Boîtier électrique             | 15. Porte-masses                         |
| 6. Anneau de levage               | 16. Support de poids                     |
| 7. Moteur de la tête de meulage   | 17. Disque de polissage                  |
| 8. Moteur de disques à meuler     | 18. Outil diamanté (accessoires)         |
| 9. Roue de support                | 19. Plaque de l'outil                    |
| 10. Tête de meulage               | 20. Raccord pour extracteur de poussière |
| 11. Verrou de poids               | 21. Couvercle                            |
| 12. Goupille d'arrêt pour la roue | 22. Jupe                                 |

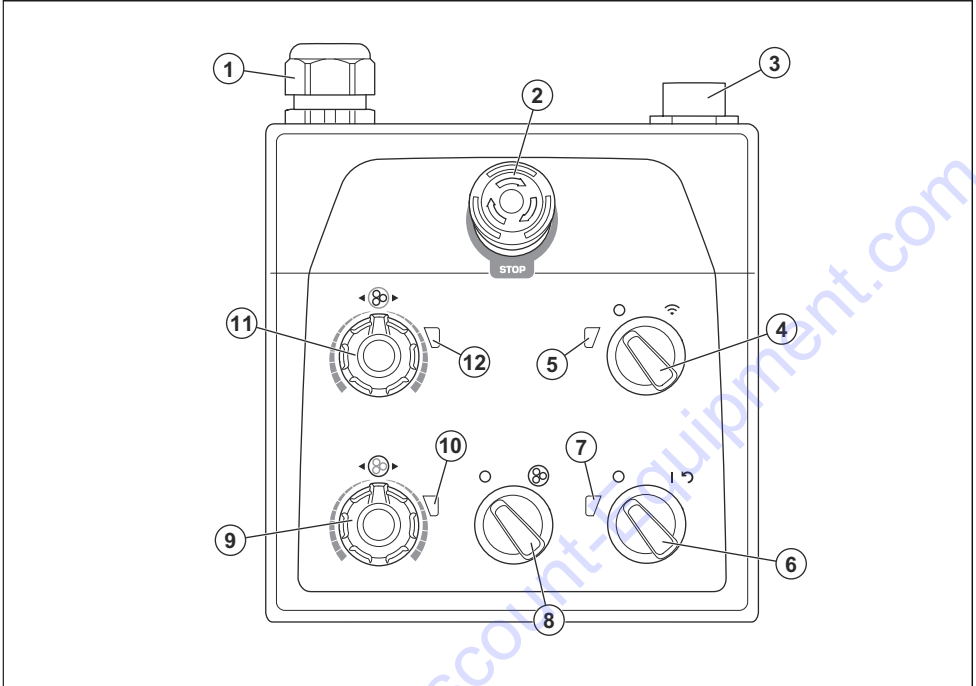
## Présentation du produit, côté gauche



- |  |   |
|--|---|
| 1. PG 690 RC, PG 830 RC: Support de télécommande             | 9. Dispositif d'accrochage du tuyau extracteur de poussière et du cordon d'alimentation |
| 2. Levier de blocage pour le réglage de la poignée           | 10. Moteur de roue  |
| 3. Panneau de commande                                       | 11. Raccord pour extracteur de poussière  |
| 4. Vis de réglage du guidon                                  | 12. Porte du boîtier électrique   |
| 5. Connecteur du chargeur de batterie                        | 13. Châssis de support  |
| 6. PG 690 RC, PG 830 RC: connecteur pour le câble de bus CAN | 14. Trous pour les sangles  |
| 7. Plaque d'identification                                   | 15. PG 690 RC, PG 830 RC: harnais de télécommande                                       |
| 8. Cordon d'alimentation                                     | 16. PG 690 RC, PG 830 RC: Kit de communication SMS/GPS                                  |

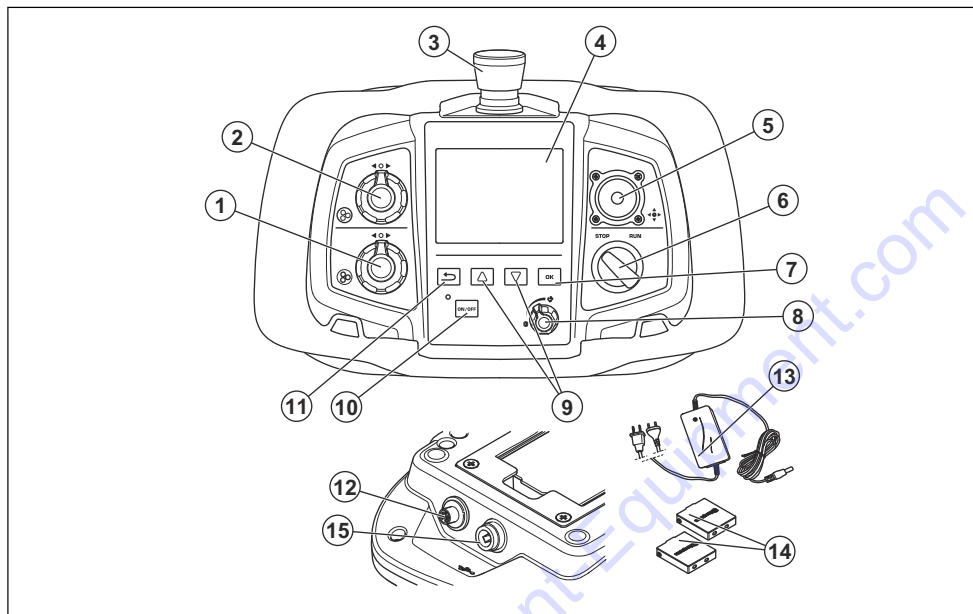


## Aperçu du panneau de commande



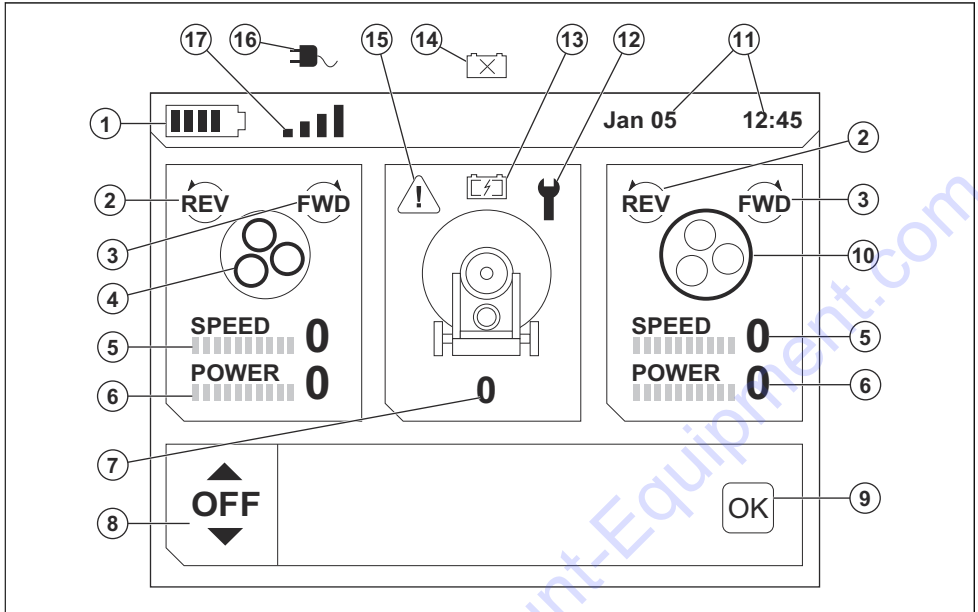
- |   |   |
|---|---|
| 1. Branchement des câbles   | 8. Interrupteur STOP/RUN                                      |
| 2. Bouton d'arrêt d'urgence   | 9. Bouton de sens de rotation et de vitesse, disque à meuler  |
| 3. Chargeur USB   | 10. Indicateur du disque à meuler                             |
| 4. PG 690 RC, PG 830 RC: interrupteur de sélection du mode télécommande ou du mode manuel | 11. Bouton de sens de rotation et de vitesse, tête de meulage |
| 5. PG 690 RC, PG 830 RC: indicateur du mode télécommande                                  | 12. Indicateur de la tête de meulage                          |
| 6. Interrupteur de marche/arrêt   |   |
| 7. Indicateur d'alimentation et d'état de charge de la batterie du produit                |   |

## Aperçu de la télécommande (PG 690 RC, PG 830 RC)



1. Bouton de sens de rotation et de vitesse, disque à meuler
2. Bouton de sens de rotation et de vitesse, tête de meulage
3. Bouton d'arrêt d'urgence
4. Écran d'affichage
5. Levier de commande
6. Interrupteur STOP/RUN, tête de meulage
7. Bouton OK
8. Bouton de limitation de vitesse
9. Touches fléchées pour faire défiler les menus
10. Bouton MARCHÉ/ARRÊT
11. Bouton pour revenir à la structure de menu
12. Connecteur pour le câble de bus CAN
13. Chargeur de batterie pour la batterie de la télécommande
14. Batterie de la télécommande
15. Port pour le chargeur de batterie

## Aperçu de l'écran



1. Niveau de batterie de la télécommande
2. Sens de rotation dans le sens contraire des aiguilles d'une montre du moteur de meulage associé
3. Sens de rotation dans le sens des aiguilles d'une montre du moteur de meulage associé
4. Disques à meuler
5. Vitesse du moteur de meulage associé
6. Charge du moteur de meulage associé
7. Vitesse du produit
8. Menu des fonctions
9. Bouton OK
10. Tête de meulage
11. Heure et date
12. Indication d'entretien
13. Indication pour la batterie du produit : batterie en charge
14. Indication pour la batterie du produit : batterie absente ou endommagée
15. Indicateur d'avertissement Reportez-vous à la section *Messages d'erreur et d'avertissement sur la télécommande à la page 138.*
16. La télécommande fonctionne avec un câble de bus CAN branché
17. La télécommande fonctionne par communication radio sans câble de bus CAN branché

## Symboles concernant le produit



**AVERTISSEMENT** : ce produit peut être dangereux et causer des blessures graves, voire mortelles, à l'opérateur ou à d'autres personnes. Soyez prudent et utilisez le produit correctement.



Lisez avec attention le manuel d'utilisation et assurez-vous de bien comprendre les instructions avant d'utiliser ce produit.



Utilisez des protège-oreilles, des protections pour les yeux et une protection respiratoire. Reportez-vous à la section *Équipement de protection individuel à la page 108.*



La poussière peut entraîner des problèmes de santé. Portez une protection respiratoire homologuée. Assurez-vous systématiquement de la bonne circulation de l'air.



Soulevez toujours le produit au niveau de l'anneau de levage.



Utilisez les trous à sangles d'arrimage pour fixer le produit à un véhicule de transport.



Double isolation, batterie et chargeur de batterie.



Utilisez et gardez le chargeur de batterie uniquement en intérieur.



Ce produit n'est pas un déchet domestique. Déposez-le dans une déchetterie agréée pour équipements électriques et électroniques.



Ce produit est conforme aux directives CE en vigueur.

**Remarque:** les autres symboles/autocollants présents sur le produit concernent des exigences de certification spécifiques à certains marchés.

## Symboles sur le panneau de commande et la télécommande



Arrêt d'urgence.



Télécommande activée.



Produit en marche et réinitialiser le produit.



Tête de meulage en place.



Vitesse et sens de rotation, tête de meulage.



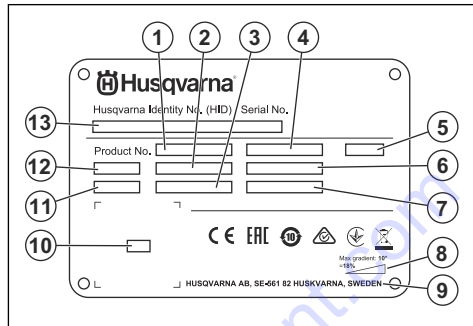
Vitesse et sens de rotation du disque à meuler.



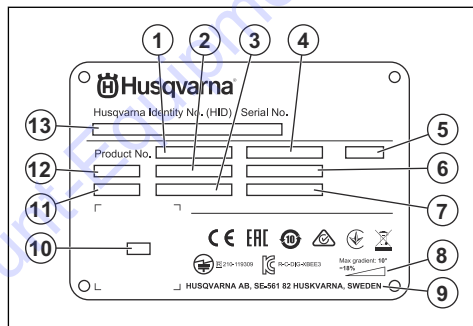
Vitesse maximale.

## Plaque d'identification

PG 690, PG 830:



PG 690 RC, PG 830 RC:



1. Référence de produit
2. Poids du produit
3. Puissance nominale
4. Tension nominale
5. Boîtier
6. Intensité nominale
7. Fréquence
8. Angle de pente maximal
9. Fabricant
10. Code optiquement lisible
11. Année de production
12. Modèle
13. Numéro de série

## Responsabilité

Conformément à la loi sur la responsabilité du fait des produits, nous déclinons toute responsabilité pour tout dommage causé par notre produit si :

- le produit n'est pas correctement réparé ;
- le produit est réparé avec des pièces qui ne proviennent pas du fabricant ou qui ne sont pas homologuées par le fabricant ;

- le produit est équipé d'un accessoire qui ne provient pas du fabricant ou qui n'est pas homologué par le fabricant ;
- le produit n'est pas réparé par un centre d'entretien agréé ou par une autorité homologuée.

## Husqvarna Fleet Services™

Husqvarna Fleet Services™ est une solution cloud qui donne à l'utilisateur un aperçu de tous les produits qui sont connectés. Ce produit est équipé d'un capteur Husqvarna Fleet Services™ avec technologie Bluetooth® à basse consommation (BLE). Le capteur Husqvarna Fleet Services™ recueille les données relatives au produit et vous connecte au système Husqvarna Fleet Services™. Le système Husqvarna Fleet Services™ effectue un compte-rendu de certaines données, comme la durée de fonctionnement, les intervalles d'entretien et l'emplacement du produit. La technologie BLE fonctionne entre 2,400 et 2,4835 GHz.

Pour plus d'informations sur Husqvarna Fleet Services™, téléchargez l'application Husqvarna Fleet Services™ ou contactez votre représentant Husqvarna.

## Module Bluetooth® à basse consommation (BLE)

Sur les marchés approuvés, le produit dispose d'un module BLE connecté au système Husqvarna Fleet Services™. Le module BLE recueille et transmet des données relatives au produit qui sont utilisées dans le système Husqvarna Fleet Services™. Ces données incluent la durée de fonctionnement, les intervalles d'entretien et l'emplacement du produit.

### Pour configurer la connectivité intégrée

1. Téléchargez l'application Husqvarna Fleet Services™ sur un appareil mobile.
2. Branchez le produit à une source d'alimentation pour allumer le module BLE.
3. Ajoutez le produit à votre compte. Utilisez l'application Husqvarna Fleet Services™.
4. Suivez les instructions de l'application Husqvarna Fleet Services™.

**Remarque:** L'appareil mobile sur lequel est installée l'application Fleet doit se trouver à proximité du produit à connecter.

**Remarque:** La transmission radio Bluetooth® s'active lors de la première connexion à la source d'alimentation, puis reste activée après cela.

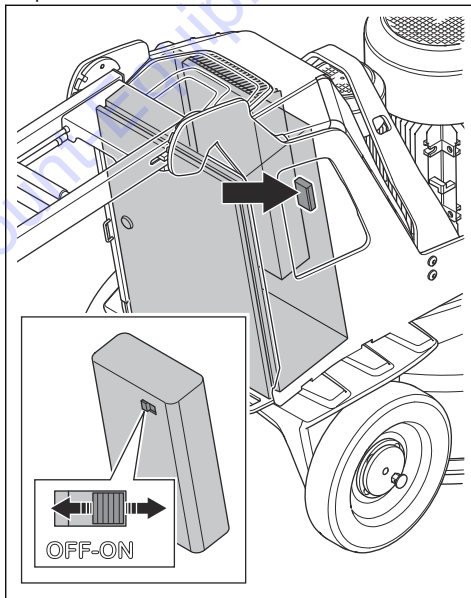


**AVERTISSEMENT:** Haute tension. Il y a des pièces non protégées dans l'unité électrique. Débranchez toujours le produit de la prise de courant avant d'ouvrir la porte du boîtier électrique.

### Pour mettre le produit en mode avion

Lorsque le produit est en mode avion, le module BLE cesse de transmettre les données relatives au produit.

- Poussez le bouton du bloc d'alimentation sur la position Arrêt.



## Sécurité

### Définitions de sécurité

Des avertissements, des recommandations et des remarques sont utilisés pour souligner des parties spécialement importantes du manuel.



**AVERTISSEMENT:** Symbole utilisé en cas de risque de blessures ou de mort pour l'opérateur ou les personnes à proximité si

les instructions du manuel ne sont pas respectées.



**REMARQUE:** Symbole utilisé en cas de risque de dommages pour le produit, d'autres matériaux ou les environs si les instructions du manuel ne sont pas respectées.

**Remarque:** Symbole utilisé pour donner des informations supplémentaires pour une situation donnée.

## Instructions de sécurité pour le fonctionnement

### Instructions générales de sécurité



**AVERTISSEMENT:** Lisez les instructions qui suivent avant d'utiliser le produit.

- Ce produit est un outil dangereux si vous ne faites pas attention ou si vous l'utilisez de manière incorrecte. Ce produit peut causer des blessures graves, voire mortelles, à l'opérateur ou à d'autres personnes. Avant d'utiliser le produit, il convient de lire attentivement et de bien comprendre les instructions contenues dans ce manuel de l'opérateur.
- Conservez tous les avertissements de sécurité et toutes les instructions.
- Respectez l'ensemble des lois et réglementations applicables.
- L'opérateur et son employeur doivent connaître et éviter tout risque au cours de l'utilisation du produit.
- Ne laissez personne utiliser le produit avant d'avoir lu et compris le contenu du manuel de l'opérateur.
- N'utilisez pas le produit sauf si vous bénéficiez d'une formation préalable. Assurez-vous que tous les opérateurs suivent une formation.
- Ne laissez pas un enfant utiliser le produit.
- Seules les personnes autorisées peuvent utiliser le produit.
- L'utilisateur est tenu responsable des accidents auxquels il expose autrui ou ses biens.
- N'utilisez jamais l'appareil si vous êtes fatigué ou malade, ou si vous êtes sous l'emprise d'alcool, de drogues ou de médicaments.
- Soyez toujours prudent et utilisez votre bon sens.
- Ce produit génère un champ électromagnétique durant son fonctionnement. Ce champ peut dans certaines circonstances perturber le fonctionnement d'implants médicaux actifs ou passifs. Pour réduire le risque de blessures graves ou mortelles, nous recommandons aux personnes portant des implants médicaux de consulter leur médecin et le fabricant de leur implant avant d'utiliser cet appareil.
- Maintenez le produit propre. Assurez-vous que vous pouvez lire clairement les avertissements et les autocollants.
- N'utilisez pas le produit si celui-ci est défectueux.
- Ne modifiez pas ce produit.
- N'utilisez pas le produit s'il est susceptible d'avoir été modifié par d'autres personnes.



**AVERTISSEMENT:** Lisez les instructions qui suivent avant d'utiliser le produit.

- Utilisez un équipement de protection personnelle. Reportez-vous à la section *Équipement de protection individuel* à la page 108.
- Ne vous éloignez pas du produit lorsque le moteur est allumé.
- Débranchez toujours le cordon d'alimentation avant de vous éloigner du produit.
- Ne tirez pas sur le tuyau de l'extracteur de poussière. Le produit peut tomber et causer des blessures et dommages.
- La tête de meulage doit être en contact avec la surface lorsque vous démarrez le produit. Ceci n'est pas applicable lorsque vous contrôlez l'interrupteur MARCHE/ARRÊT.
- Ne démarrez pas le produit si la jupe n'est pas installée. La jupe doit assurer une étanchéité complète entre le produit et le sol.
- Tenez vos pieds à distance du câble de bus CAN et du cordon d'alimentation afin de limiter le risque de blessures dues à une chute.
- Tenez le produit à l'écart des zones où il peut provoquer des blessures. Le produit peut rapidement changer de position et vous heurter.
- Si le produit ne fonctionne pas correctement, arrêtez les moteurs.
- Assurez-vous que des vêtements, cheveux longs et bijoux ne peuvent pas se coincer dans les pièces en mouvement.
- Veillez à vous tenir dans une position stable et sûre pendant l'utilisation du produit.
- N'utilisez pas le produit si vous ne pouvez pas être secouru en cas d'accident.
- Si des vibrations se produisent dans le produit ou si le niveau sonore du produit est anormalement élevé, arrêtez immédiatement le produit. Vérifiez que le produit n'est pas endommagé. Réparez les éventuels dommages ou demandez à un atelier spécialisé agréé de procéder aux réparations.
- Une exposition excessive aux vibrations peut entraîner des troubles circulatoires ou nerveux chez les personnes sujettes à des troubles cardiovasculaires. Consultez un médecin en cas de symptômes liés à une exposition excessive aux vibrations. Ces symptômes peuvent être les suivants : insensibilisation ou irritation locale, douleur, chatouillements, faiblesse musculaire, décoloration ou modification cutanée. Ces symptômes affectent généralement les doigts, les mains ou les poignets.
- Ne stationnez pas le produit sur un terrain en pente. Si vous devez stationner le produit sur une pente,

assurez-vous qu'il ne risque pas de bouger ou de tomber. Sa chute risquerait d'entraîner des blessures et des dommages.

- Soyez très prudent lorsque vous utilisez le produit sur un terrain en pente. Le produit est lourd et peut causer des blessures graves en cas de chute.
- Ne déplacez pas le produit dans des pentes raides. Reportez-vous à la plaque signalétique du produit pour plus d'informations sur l'angle de pente maximal.
- Utilisez uniquement des accessoires homologués. Pour davantage d'informations, contactez votre revendeur.

## Équipement de protection individuel



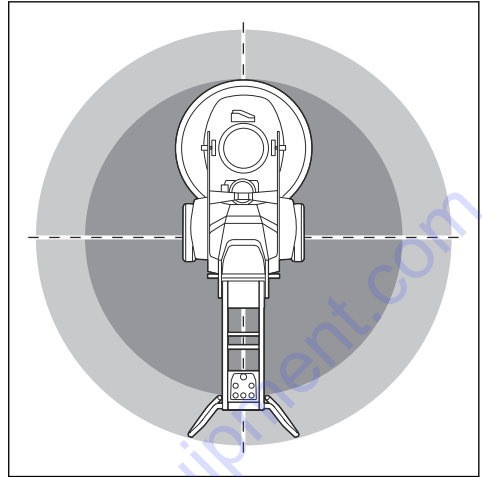
**AVERTISSEMENT:** Lisez les instructions qui suivent avant d'utiliser le produit.

- Utilisez toujours un équipement de protection individuel approprié lorsque vous faites fonctionner le produit. L'équipement de protection individuel n'empêche pas le risque de blessures. L'équipement de protection individuel diminue la gravité des blessures en cas d'accident. Faites appel à votre revendeur pour vous aider à sélectionner l'équipement adéquat.
- Utilisez des protections pour les yeux homologuées pendant que vous utilisez le produit.
- Ne portez pas de vêtements lâches, lourds ou inadaptés. Portez des vêtements qui garantissent votre liberté de mouvement.
- Utilisez des gants de protection homologués qui permettent de tenir fermement des objets.
- Utilisez des gants de protection en caoutchouc afin d'éviter toute irritation de la peau due au béton humide.
- Utilisez un casque de protection homologué.
- Utilisez toujours des protecteurs d'oreille homologués pendant l'utilisation du produit. Une exposition au bruit sur de longues périodes peut provoquer une perte d'audition.
- Le produit génère de la poussière et des fumées qui contiennent des produits chimiques dangereux. Utilisez une protection respiratoire homologuée.
- Utilisez des bottes avec embouts en acier et semelles antidérapantes.
- Assurez-vous de disposer d'une trousse de premiers soins à proximité.
- Des étincelles peuvent se produire lorsque vous utilisez le produit. Assurez-vous de disposer d'un extincteur à proximité.

## Sécurité dans l'espace de travail

- Pendant l'utilisation du produit, éloignez les personnes présentes de la zone illustrée ci-dessous.

Pendant l'utilisation du produit, l'opérateur doit être très prudent lorsqu'il se trouve dans cette zone.



- Assurez-vous que seules les personnes autorisées se trouvent dans la zone de travail.
- N'utilisez pas le produit en cas de brouillard, pluie, vents violents, risque de foudre ou autres conditions climatiques. L'utilisation du produit en cas de mauvaises conditions météorologiques peut affecter votre vigilance. Le mauvais temps peut provoquer des conditions de travail dangereuses.
- Identifiez les éventuels personnes, objets et situations susceptibles de nuire à la sécurité du fonctionnement du produit.
- PG 690 RC, PG 830 RC: Le produit peut être utilisé à l'aide d'une télécommande pour de longues distances. N'utilisez le produit que si vous voyez clairement le produit et sa zone de risque. Délimitez la zone de travail pour éviter de blesser les personnes se trouvant à proximité.
- Maintenez la zone de travail suffisamment éclairée.
- N'utilisez pas ce produit dans des zones présentant un risque d'incendie ou d'explosion.

## Sécurité électrique



**AVERTISSEMENT:** les produits électriques présentent toujours un risque de choc. N'utilisez pas le produit dans de mauvaises conditions météorologiques. Ne touchez pas de paratonnerres ni d'objets métalliques. Utilisez toujours le produit comme indiqué dans ce manuel d'utilisation pour éviter les blessures.



**AVERTISSEMENT:** Utilisez toujours une alimentation avec RCD (disjoncteur différentiel). L'utilisation d'un RCD permet de réduire le risque de choc électrique.



**AVERTISSEMENT:** Haute tension. Il y a des pièces non protégées dans l'unité électrique. Débranchez toujours le produit de la prise de courant avant d'ouvrir la porte du boîtier électrique.



**REMARQUE:** L'alimentation électrique du produit ou du générateur doit être suffisamment puissante et constante pour que le moteur électrique puisse fonctionner sans problème. Une tension incorrecte provoque l'augmentation de la consommation d'énergie et de la température du moteur jusqu'au déclenchement du circuit de sécurité. Les dimensions du cordon d'alimentation doivent être conformes aux réglementations nationales et locales. Les dimensions de la prise secteur doivent être conformes à l'ampérage de la prise électrique et du câble de rallonge du produit.

Si la résistance du secteur est plus élevée, de brèves chutes de tension peuvent se produire lorsque le produit est démarré. Cela peut affecter le fonctionnement d'autres produits ; les lampes peuvent par exemple scintiller.

- Assurez-vous que la tension d'alimentation, des fusibles et du secteur est identique à celle indiquée sur la plaque signalétique du produit.
- Arrêtez toujours le produit avant de débrancher la prise de courant.
- N'utilisez pas le produit si le cordon d'alimentation ou la prise de courant sont endommagés. Confiez-le à un centre de service homologué pour réparation. Un cordon d'alimentation endommagé peut provoquer des blessures graves, voire mortelles.
- Utilisez le cordon d'alimentation correctement. N'utilisez pas le cordon d'alimentation pour déplacer, tirer ou débrancher le produit. Tirez sur la prise de courant pour débrancher le câble d'alimentation. Ne tirez pas le cordon d'alimentation.
- N'utilisez pas le produit dans un trou d'eau suffisamment profond pour mouiller l'équipement du produit. L'équipement peut être endommagé et le produit peut être mis sous tension et causer des blessures.
- N'ajoutez pas plus d'humidité au produit que celle fournie par le système d'eau. Tenez le produit à l'abri de la pluie. L'eau qui s'infiltre dans le produit augmente le risque de choc électrique.
- Débranchez toujours le cordon d'alimentation avant de brancher ou débrancher la connexion du câble du moteur et du boîtier électrique.

#### Valeurs guides pour la source d'alimentation

Tension nominale de la source d'alimentation, V	Tension min. au niveau du produit, V	Tension max. au niveau du produit, V	Fréquence, Hz	Courant nominal, A	Sortie du moteur	Zone de câble min., mm <sup>2</sup> /AWG	Longueur de câble max., m/pi
PG 690 3 x 220	200	240	50/60	50	11+1,5	10/7	190/620
PG 690 3 x 400/440 /480	380	480	50/60	30	11+1,5	6/9	190/620
PG 830 3 x 220	200	240	50/60	50	11+1,5	10/7	190/620
PG 830 3 x 400/440 /480	380	480	50/60	30	15+1,5	6/9	190/620

#### Instructions pour produit mis à la terre



**AVERTISSEMENT:** un mauvais branchement peut provoquer un choc électrique. Consultez un électricien homologué si vous n'êtes pas certain que le produit est correctement mis à la terre.

Ne modifiez pas la prise de courant par rapport à ses spécifications d'usine. Si la prise de courant n'est pas adaptée à la prise secteur, laissez un électricien homologué installer une prise de courant secteur appropriée. Respectez la législation et les réglementations locales.



Si vous n'avez pas bien compris les instructions de mise à la terre du produit, consultez un électricien homologué.

Le produit est équipé d'un cordon d'alimentation de mise à la terre et d'une prise de courant. Branchez systématiquement le produit sur une prise secteur mise à la terre. Cela permet de réduire le risque de choc électrique en cas de dysfonctionnement.

N'utilisez pas d'adaptateurs électriques avec le produit.

### Rallonges

- Utilisez uniquement des rallonges homologuées d'une longueur suffisante.
- La valeur nominale sur la rallonge doit être identique ou supérieure à celle indiquée sur la plaque signalétique du produit.
- Utilisez des câbles de rallonge mis à la terre.
- Lorsque vous utilisez l'outil à l'extérieur, utilisez une rallonge adaptée à un usage extérieur. Cela réduit le risque de choc électrique.
- Maintenez la connexion de la rallonge au sec et au-dessus du sol.
- Maintenez la rallonge à l'écart de la chaleur, d'huile, de bords tranchants ou de pièces en mouvement. Un câble endommagé augmente le risque de choc électrique.
- Assurez-vous que la rallonge est en bon état et non endommagée.
- N'utilisez pas la rallonge lorsqu'elle est enroulée. Cela peut entraîner une surchauffe de la rallonge.
- Assurez-vous que la rallonge est derrière vous et derrière le produit lorsque vous utilisez le produit. Cela empêche toute dégradation de la rallonge.

### Consignes de sécurité relatives à l'utilisation de la batterie



**AVERTISSEMENT:** lisez les instructions qui suivent avant d'utiliser le produit.

- Utilisez uniquement les batteries que nous recommandons pour votre produit. Les batteries sont codées par logiciel.
- Utilisez uniquement des batteries d'origine pour ce produit. Il existe un risque d'explosion si les batteries sont remplacées par un type de batterie incorrect. Pour davantage d'informations, contactez votre revendeur.
- Utilisez les batteries rechargeables comme source d'alimentation pour les produits Husqvarna associés uniquement. Afin d'éviter toute blessure, n'utilisez pas la batterie comme source d'alimentation pour d'autres produits.
- Risque de choc électrique. Ne branchez pas les bornes de la batterie à des clés, des vis ou tout autre

élément métallique. Cela peut provoquer un court-circuit de la batterie.

- En cas de fuite de la batterie, ne laissez pas le liquide entrer en contact avec votre peau ou vos yeux. Si vous avez touché le liquide, nettoyez la zone avec beaucoup d'eau claire et contactez un médecin.
- N'utilisez pas de batteries non rechargeables.
- Ne modifiez pas la batterie.
- Ne placez pas d'objets dans les fentes d'aération de la batterie.
- Protégez la batterie des rayons directs du soleil, de la chaleur et des flammes nues. La batterie peut provoquer une explosion, des brûlures et/ou des brûlures chimiques.
- Protégez la batterie de la pluie et de l'humidité.
- Protégez la batterie des micro-ondes et des hautes pressions.
- N'essayez pas de démonter ou de casser la batterie.
- Utilisez la batterie à une température comprise entre -10 °C/14 °F et 40 °C/104 °F.
- Ne nettoyez pas la batterie ou le chargeur de batterie avec de l'eau. Reportez-vous à la section *Pour nettoyer la batterie et le chargeur de batterie à la page 133.*
- N'utilisez pas de batterie défectueuse ou endommagée.
- Conservez les batteries en stock à distance des objets métalliques, tels que clous, vis ou bijoux.
- Tenez les batteries hors de portée des enfants.

### Dispositifs de sécurité sur le produit

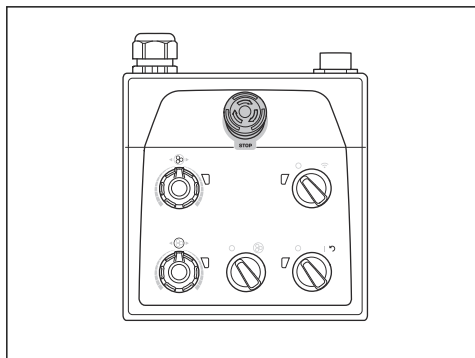


**AVERTISSEMENT:** lisez les instructions qui suivent avant d'utiliser le produit.

- N'utilisez pas un produit avec des dispositifs de sécurité défectueux.
- Contrôlez les dispositifs de sécurité régulièrement. Si les dispositifs de sécurité sont défectueux, parlez-en à votre agent d'entretien Husqvarna.

### Bouton d'arrêt d'urgence sur le panneau de commande

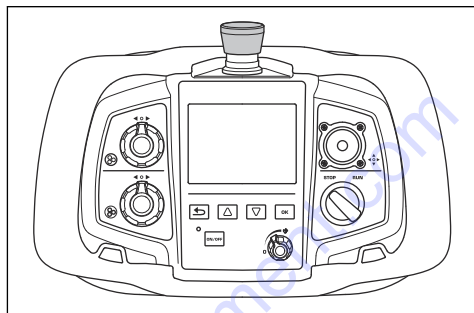
Le bouton d'arrêt d'urgence permet d'arrêter rapidement le moteur. Le bouton d'arrêt d'urgence coupe l'alimentation électrique du secteur.



**REMARQUE:** N'utilisez pas le bouton d'arrêt d'urgence sur le panneau de commande pour arrêter le produit.

### Bouton d'arrêt d'urgence sur la télécommande

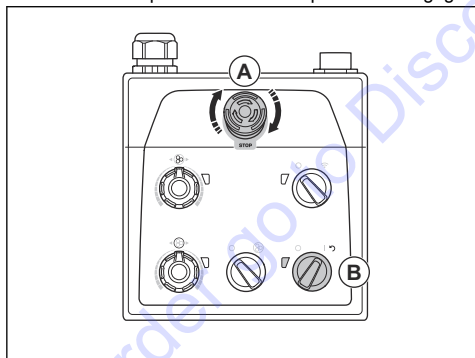
Le bouton d'arrêt d'urgence permet d'arrêter rapidement le moteur. Le bouton d'arrêt d'urgence coupe l'alimentation électrique du secteur. Le bouton d'arrêt d'urgence sur la télécommande ne peut pas être utilisé lorsque le produit est utilisé en mode manuel.



**REMARQUE:** N'utilisez pas le bouton d'arrêt d'urgence sur la télécommande pour arrêter le produit.

### Pour contrôler le bouton d'arrêt d'urgence sur le panneau de commande

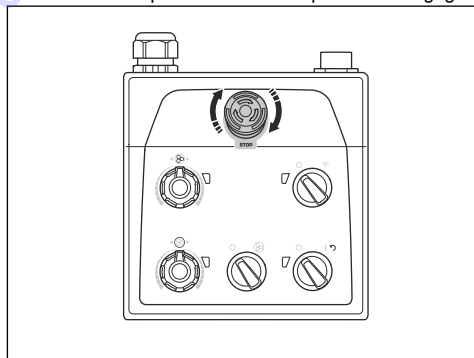
1. Tournez le bouton d'arrêt d'urgence (A) situé sur le panneau de commande dans le sens des aiguilles d'une montre pour vous assurer qu'il est désengagé.



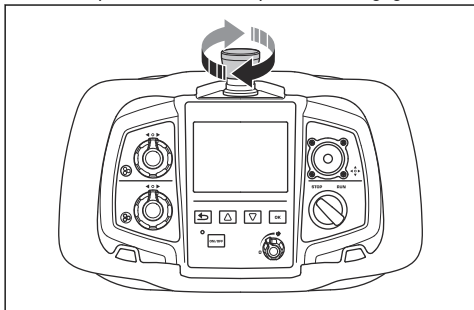
2. Placez l'interrupteur de marche/arrêt (B) du panneau de commande sur « 1 » pour démarrer le moteur. La LED située à côté de l'interrupteur de MARCHÉ/ARRÊT s'allume.
3. Appuyez sur le bouton d'arrêt d'urgence sur le panneau de commande.
4. Assurez-vous que la LED située à côté de l'interrupteur de marche/arrêt s'éteint.
5. Tournez le bouton d'arrêt d'urgence sur le panneau de commande dans le sens des aiguilles d'une montre pour le désengager.

### Pour contrôler le bouton d'arrêt d'urgence sur la télécommande

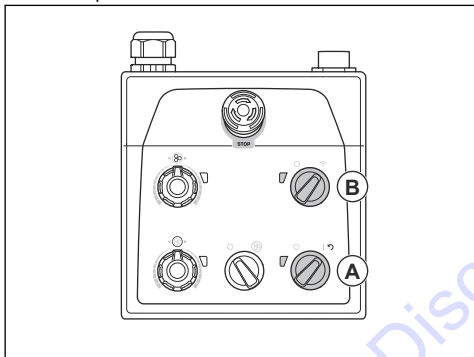
1. Tournez le bouton d'arrêt d'urgence situé sur le panneau de commande dans le sens des aiguilles d'une montre pour vous assurer qu'il est désengagé.



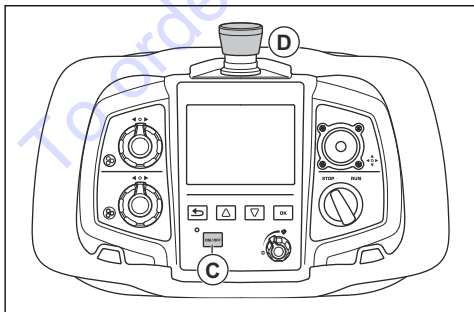
2. Tournez le bouton d'arrêt d'urgence sur la télécommande dans le sens des aiguilles d'une montre pour vous assurer qu'il est désengagé.



3. Tournez l'interrupteur de Marche/Arrêt (A) du panneau de commande sur la position 1 pour démarrer le moteur. La LED située à côté de l'interrupteur de MARCHE/ARRÊT s'allume.



4. Tournez le bouton du mode télécommande/manuel (B) sur le panneau de commande dans le sens des aiguilles d'une montre pour utiliser le mode télécommande. La LED située à côté du bouton du mode télécommande/manuel clignote.
5. Appuyez sur le bouton de Marche/Arrêt (C) de la télécommande. La télécommande est active lorsque l'écran s'allume.

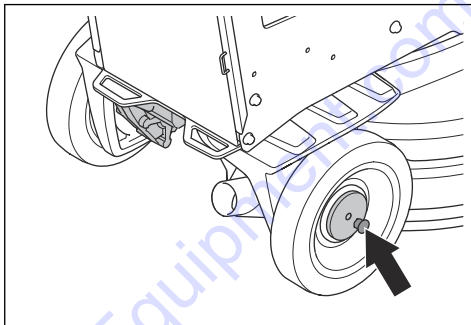


6. Appuyez sur le bouton d'arrêt d'urgence (D) de la télécommande.

7. Assurez-vous que la LED située à côté de l'interrupteur de Marche/Arrêt sur le panneau de commande s'éteint.
8. Tournez le bouton d'arrêt d'urgence sur la télécommande dans le sens des aiguilles d'une montre pour le désengager.

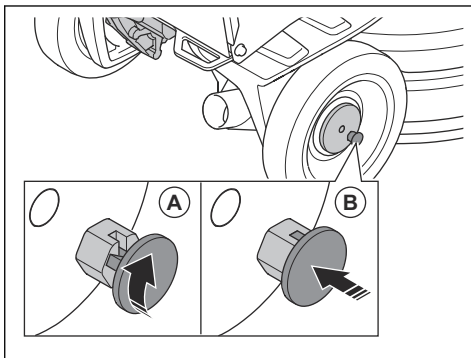
### Goupilles d'arrêt pour les roues

Les goupilles d'arrêt bloquent les roues sur le moteur lorsque le produit est utilisé en mode télécommande.



### Pour vérifier les goupilles d'arrêt des roues

1. Vérifiez que les goupilles d'arrêt ne sont pas engagées.
2. Poussez légèrement le produit vers l'avant et évaluez la résistance.
3. Tournez les goupilles d'arrêt (A) jusqu'à ce que l'axe de la goupille d'arrêt soit aligné avec l'encoche. Effectuez cette opération sur les roues gauche et droite.



4. Faites démarrer le produit. Les goupilles d'arrêt passent en position de blocage (B) et bloquent les moteurs de roue.
5. Poussez légèrement le produit vers l'avant et évaluez la résistance. Si les goupilles d'arrêt sont correctement engagées, il y a davantage de résistance que lorsque les goupilles d'arrêt ne sont pas engagées.

**Remarque:** En mode télécommande, un message d'erreur s'affiche sur l'écran de la télécommande si les goupilles d'arrêt ne sont pas correctement engagées.

6. Pour désengager les goupilles d'arrêt, tirez-les bien droit vers l'extérieur et tournez-les dans le sens des aiguilles d'une montre ou dans le sens contraire des aiguilles d'une montre.

## Consignes de sécurité pour l'entretien

- Assurez-vous que toutes les pièces sont en bon état et que toutes les fixations sont correctement serrées.

- N'utilisez pas un produit défectueux. Effectuez les contrôles de sécurité, de maintenance et d'entretien indiqués dans ce manuel. Toutes les autres tâches d'entretien doivent être effectuées par un agent d'entretien homologué.
- Arrêtez le produit lorsque vous remplacez les outils diamantés. Placez l'interrupteur marche/arrêt sur 0 et appuyez sur le bouton d'arrêt d'urgence.
- Effectuez l'inspection et/ou l'entretien avec le moteur arrêté et la prise de courant débranchée.
- Effectuez l'entretien pour vous assurer que le produit fonctionne correctement. Reportez-vous à la section *Schéma d'entretien* à la page 132.

## Utilisation

### Introduction



**AVERTISSEMENT:** Avant d'utiliser le produit, vous devez lire et comprendre le chapitre sur la sécurité.

### Retrait du produit de son emballage



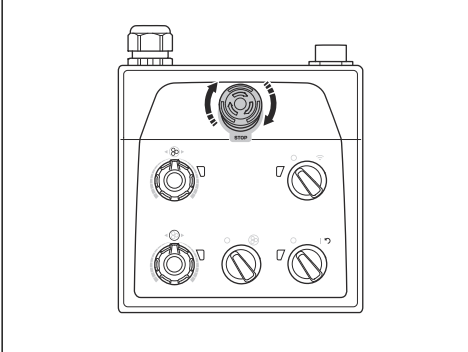
**AVERTISSEMENT:** Retirez le produit de la palette avec précaution et de manière sécurisée. Le produit est lourd et peut causer des blessures graves en cas de chute.

- Assurez-vous que tous les articles indiqués sur l'aperçu du produit sont inclus. Reportez-vous à la section *Présentation du produit, côté droit* à la page 100. Contactez votre revendeur Husqvarna si un article est manquant ou endommagé avant de retirer le produit de la palette.
  - Retirez toutes les sangles de maintien et les cales des roues.
  - Assurez-vous que la zone est dégagée et que vous disposez de suffisamment d'espace pour déplacer le produit.
  - Assurez-vous qu'il n'y a aucun risque de chute, pour vous ou pour le produit.
  - Utilisez l'équipement de levage ou les rampes pour retirer le produit de la palette. Ce produit est lourd. Déplacez le produit de manière sécurisée. Reportez-vous à la section *Pour lever le produit* à la page 143.
4. Effectuez l'entretien quotidien. Reportez-vous à la section *Schéma d'entretien* à la page 132.
  5. Assurez-vous que le produit est correctement monté et qu'il n'est pas endommagé.
  6. Placez le produit sur la zone de travail. Assurez-vous que le transport du produit vers et dans la zone de travail est effectué correctement et en toute sécurité. Reportez-vous à la section *Transport* à la page 140.
  7. Assurez-vous que des outils diamantés sont présents sur les plaques d'outils et qu'ils y sont bien fixés.
  8. Branchez un extracteur de poussière sur le produit. Reportez-vous à la section *Pour brancher un extracteur de poussière* à la page 116.
  9. Réglez la poignée et le guidon à une hauteur d'utilisation confortable. Reportez-vous à la section *Réglage de la poignée et du guidon* à la page 118.
  10. Assurez-vous que les câbles des moteurs sont connectés au boîtier électrique avant de brancher le produit à une prise secteur. Reportez-vous à la section *Installation et dépose de la tête de meulage* à la page 135.
  11. Branchez le produit à une source d'alimentation. Reportez-vous à la section *Branchement du produit à une source d'alimentation* à la page 118.

### À faire avant de démarrer le produit

1. Lisez attentivement le manuel d'utilisation et assurez-vous de bien comprendre les instructions.
2. Portez l'équipement de protection individuel nécessaire. Reportez-vous à la section *Équipement de protection individuel* à la page 108.
3. Assurez-vous que seules les personnes autorisées se trouvent dans la zone de travail.

12. Tournez le bouton d'arrêt d'urgence situé sur le panneau de commande dans le sens des aiguilles d'une montre pour vous assurer qu'il est désengagé.



13. Assurez-vous de connaître le sens de rotation de la tête de meulage et des disques à meuler lorsque vous utilisez des outils diamantés rotatifs tels que des Piranhas.
14. PG 690 RC, PG 830 RC: Si le produit est utilisé en mode manuel, attachez la télécommande sur le produit. L'arrière du support de télécommande est doté d'un aimant. Reportez-vous à la section *Pour attacher la télécommande sur le support de télécommande à la page 120*.
15. Placez la roue de support en position de fonctionnement. Reportez-vous à la section *Pour régler la roue de support en position de fonctionnement à la page 142*.

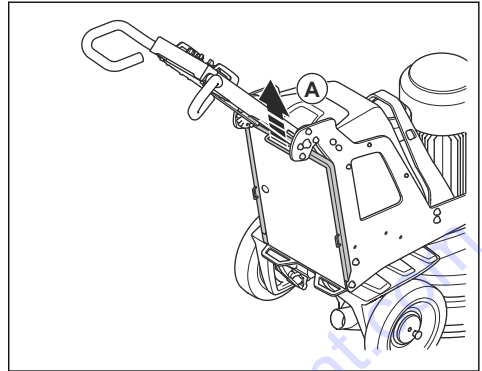
## Engagement et désengagement du châssis de support

Le produit est doté d'un châssis de support qui lui permet de s'incliner vers l'arrière. Le châssis de support sert également de dispositif de suspension pour le tuyau de l'extracteur de poussière et le cordon d'alimentation.

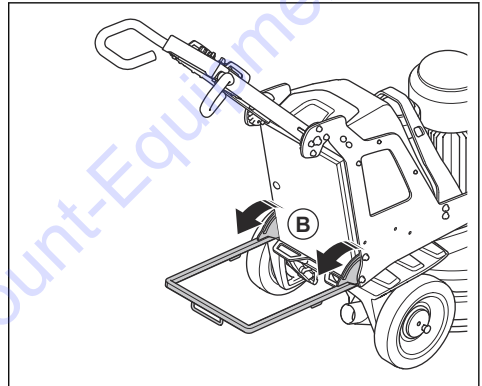


**AVERTISSEMENT:** Déplacez le châssis de support avec précaution. Les pièces mobiles peuvent provoquer des blessures.

1. Levez légèrement le châssis de support (A).



2. Abaissez le châssis de support (B).



3. Repliez le châssis de support en effectuant les mêmes étapes dans l'ordre inverse.

## Outils diamantés

De nombreux types et configurations d'outils diamantés sont disponibles pour le produit. Des outils diamantés à liant métallique sont utilisés pour retirer de la matière et les outils diamantés à liant en résine sont utilisés pour polir les surfaces. Utilisez les outils diamantés appropriés selon la surface.

## Suggestions de support de disque pour outils diamantés

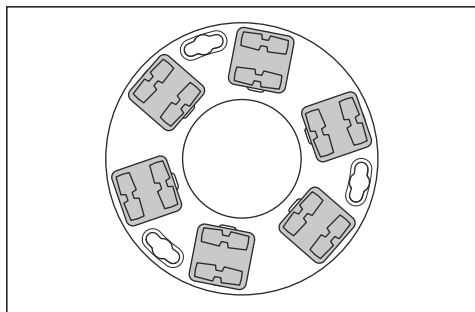
- Utilisez un support de disque Redi lock pour fixer les outils diamantés à liant métallique.
- Utilisez un support de disque en résine pour fixer les outils diamantés à liant plastique.

## Kit complet et demi kit d'outils diamantés

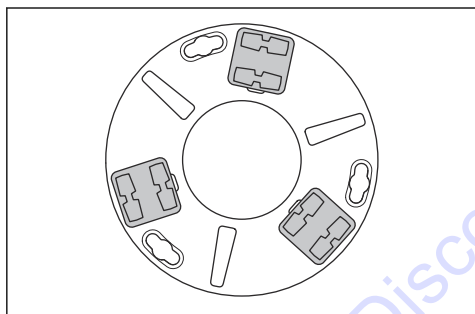
La configuration des segments d'outils diamantés a un impact sur la qualité finale de la surface. La

configuration a également un impact sur le taux de fonctionnement du produit.

- Kit complet d'outils diamantés : cette configuration est applicable pour une finition sol plat.



- Demi kit d'outils diamantés : cette configuration est applicable lorsqu'une finition sol plat n'est pas nécessaire.



### Pour remplacer les outils diamantés



**AVERTISSEMENT:** Afin d'éviter le démarrage accidentel du produit, débranchez toujours la prise de courant avant de remplacer les outils diamantés.



**AVERTISSEMENT:** Utilisez des gants de protection : les outils diamantés peuvent beaucoup chauffer.



**AVERTISSEMENT:** Portez une protection respiratoire homologuée lorsque vous remplacez les outils diamantés. La poussière présente sous la tête de meulage est dangereuse pour la santé.

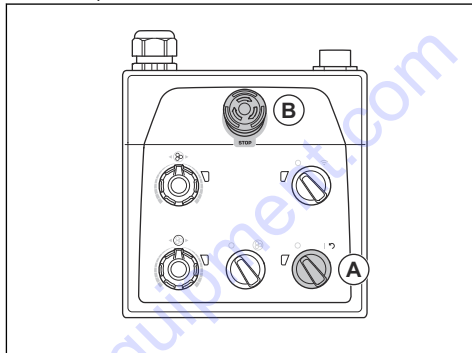


**AVERTISSEMENT:** Utilisez l'extracteur de poussière lorsque vous remplacez les outils diamantés. L'extracteur de poussière réduit la quantité de poussière, qui a des effets nocifs sur la santé.

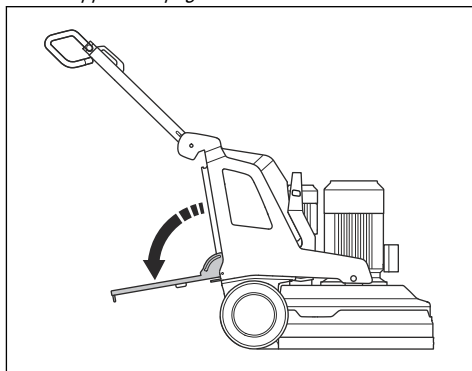


**REMARQUE:** Tous les disques à meuler doivent toujours présenter le même type et le même nombre de diamants. La hauteur des diamants doit être identique sur tous les disques à meuler.

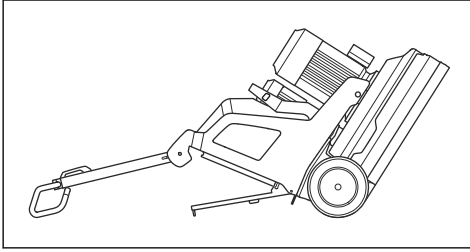
1. Placez l'interrupteur de marche/arrêt (A) du panneau de commande sur 0. La LED située à côté de l'interrupteur de marche/arrêt s'éteint.



2. Appuyez sur le bouton d'arrêt d'urgence (B) situé sur le panneau de commande.
3. Placez la poignée en position d'entretien. Reportez-vous à la section *Positions de la poignée de commande* à la page 117.
4. Si des poids sont installés, réglez-les en position arrière. Reportez-vous à la section *Réglage des poids* à la page 131.
5. Engagez le châssis de support. Reportez-vous à la section *Engagement et désengagement du châssis de support* à la page 114.

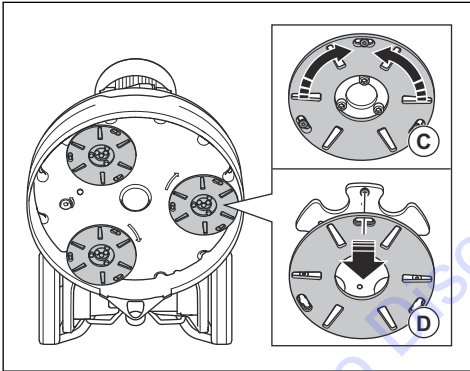


6. Tenez le guidon et inclinez le produit vers l'arrière en posant un pied sur le châssis de support. Inclinez le produit jusqu'à ce que le guidon touche le sol.

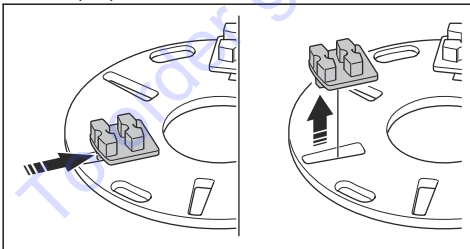


**AVERTISSEMENT:** Assurez-vous que le produit est dans une position stable avant de remplacer les outils diamantés.

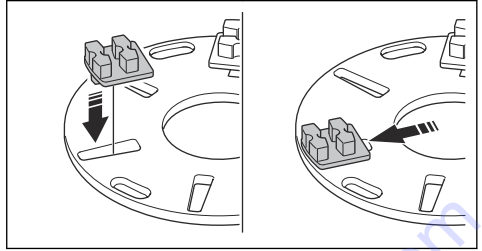
7. Mettez des gants de protection.  
8. Tournez la plaque d'outil (C) vers la droite ou la gauche pour la débloquer du disque à meuler.



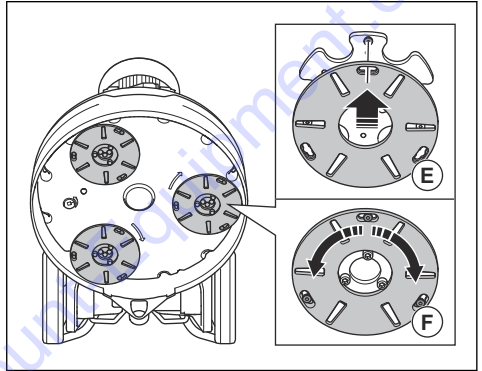
9. Tirez la plaque d'outil vers l'extérieur (D) pour la retirer du disque à meuler.  
10. À l'aide d'un marteau, déposez les outils diamantés de la plaque d'outil.



11. Fixez les outils diamantés neufs à la plaque d'outil en donnant de légers coups de marteau.



12. Fixez la plaque d'outil de manière droite (E) sur le disque à meuler.



13. Tournez la plaque d'outil (F) vers la droite ou la gauche pour la fixer au disque à meuler.  
14. Levez le produit avec précaution pour le placer en position de fonctionnement. Soutenez-le à l'aide du guidon et du châssis de support.  
15. Désengagez le châssis de support.

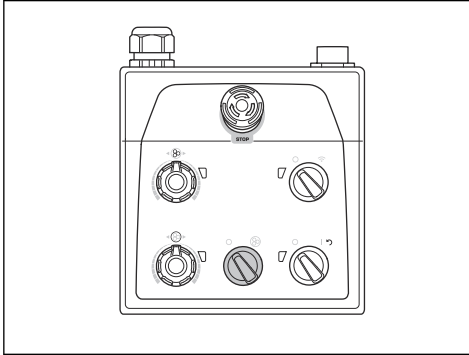
## Pour brancher un extracteur de poussière



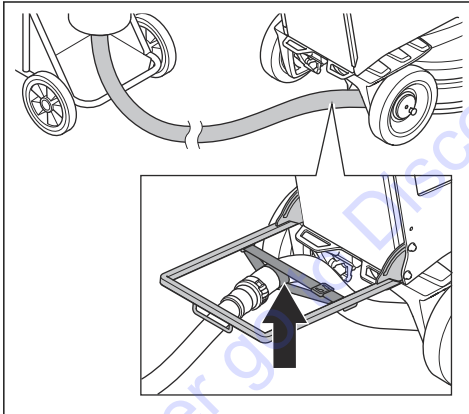
**AVERTISSEMENT:** N'utilisez pas l'extracteur de poussière si son tuyau est endommagé. L'utilisation d'un tuyau endommagé accroît le risque d'inhalation de poussière nocive pour votre santé. Portez une protection respiratoire homologuée.

1. Vérifiez que le tuyau de l'extracteur de poussière n'est pas endommagé.
2. Assurez-vous que les filtres de l'extracteur de poussière sont en bon état et propres.

3. Assurez-vous que l'interrupteur STOP/RUN situé sur le panneau de commande est positionné sur 0.



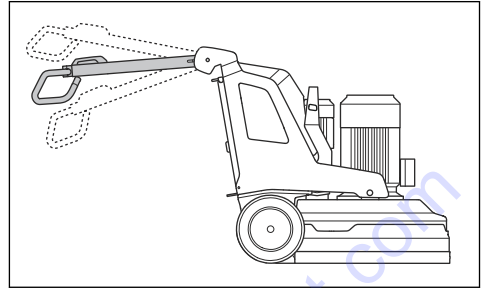
4. Branchez le tuyau de l'extracteur de poussière sur le produit.
5. Engagez le châssis de support. Reportez-vous à la section *Engagement et désengagement du châssis de support à la page 114.*
6. Accrochez le tuyau de l'extracteur de poussière sur le dispositif de suspension du châssis de support pour éviter qu'il se tende.



7. Désengagez le châssis de support.

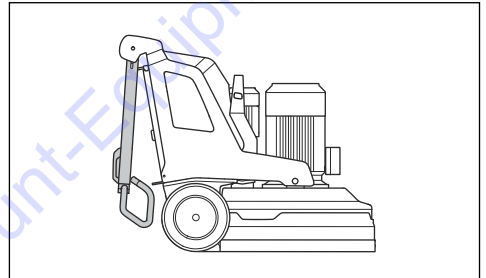
## Positions de la poignée de commande

- Position de la poignée pour le mode manuel :

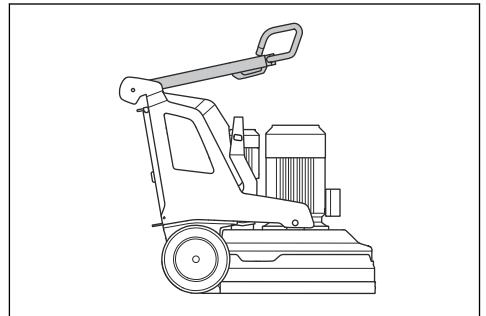


- Pour la manipulation à distance et le transport du produit, il est recommandé d'utiliser 2 positions de poignée.

Position 1 :

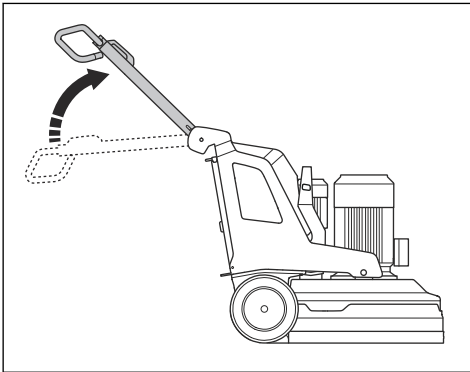


Position 2 :





- Position d'entretien de la poignée :



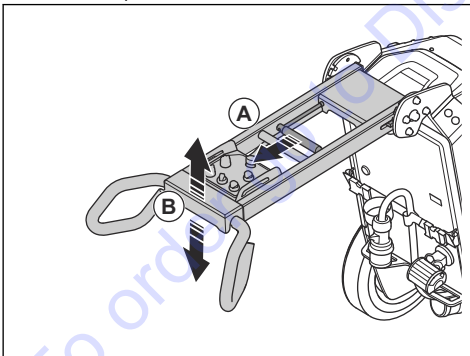
## Réglage de la poignée et du guidon



**AVERTISSEMENT:** Réglez la poignée et le guidon avec précaution. Assurez-vous que la poignée et le guidon sont fixés en position. Les pièces mobiles peuvent provoquer des blessures.

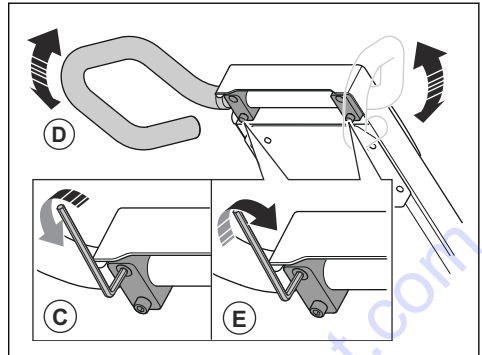
Réglez la hauteur de la poignée le plus proche possible de celle de la hanche de l'opérateur. Pendant son utilisation, le produit peut tirer d'un côté. L'opérateur peut empêcher le produit de tirer vers le côté à l'aide de sa hanche.

1. Tirez le levier de blocage (A) de la poignée en direction du panneau de commande et maintenez-le dans cette position.



2. Réglez la poignée (A) à une hauteur d'utilisation confortable.
3. Relâchez le levier de blocage de la poignée pour la fixer dans cette position.

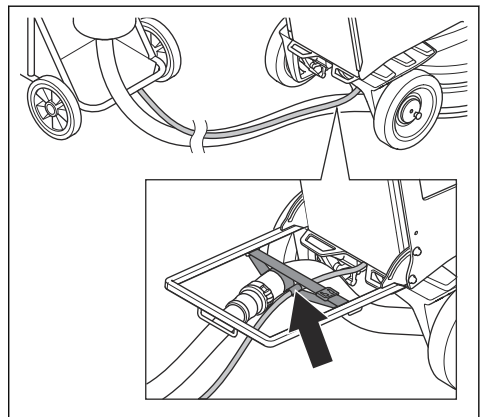
4. Desserrez les 4 vis (C) du guidon.



5. Réglez le guidon (D) à une hauteur d'utilisation confortable.
6. Serrez les 4 vis (E) du guidon pour le fixer en position.

## Branchement du produit à une source d'alimentation

1. Branchez la prise de courant du produit sur le câble de rallonge.
2. Branchez le câble de rallonge à une prise secteur.
3. Engagez le châssis de support. Reportez-vous à la section *Engagement et désengagement du châssis de support à la page 114.*
4. Accrochez le cordon d'alimentation au dispositif de suspension du châssis de support pour éviter qu'il se tende.



5. Désengagez le châssis de support.



**REMARQUE:** Lorsque le produit est connecté à un extracteur de poussière, ce dernier doit être connecté à une source d'alimentation triphasée.

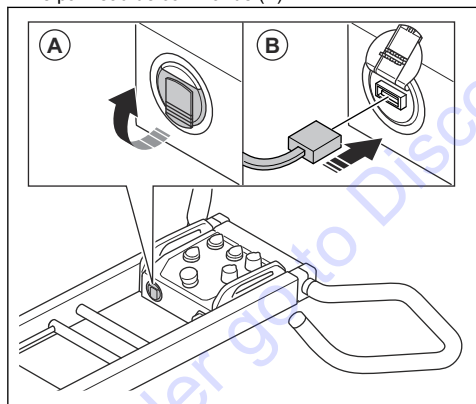
## Chargeur USB sur le panneau de commande (PG 690 RC, PG 830 RC)

Le chargeur USB sur le panneau de commande peut être utilisé pour recharger des appareils mobiles.

- La recharge via le chargeur USB n'est possible que lorsque le produit est branché à une source d'alimentation triphasée.
- L'appareil mobile continue de charger si le produit s'arrête ou si le bouton d'arrêt d'urgence est actionné.
- Le produit ne règle pas de limite de temps pour la durée de charge d'un appareil mobile. Rechargez votre appareil mobile comme recommandé par le fabricant de l'appareil mobile.
- Le chargeur USB délivre une puissance maximale de 10 W.

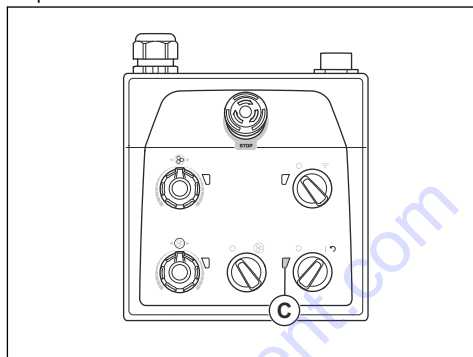
### Pour recharger un appareil mobile (PG 690 RC, PG 830 RC)

1. Branchez le produit à une source d'alimentation triphasée. Reportez-vous à la section *Branchement du produit à une source d'alimentation à la page 118*.
2. Retirez le capot de protection du chargeur USB sur le panneau de commande (A).



3. Branchez votre appareil mobile au chargeur USB (B).

4. Assurez-vous que l'indicateur d'alimentation et d'état de charge de la batterie du produit (C) clignote sur le panneau de commande.



Lorsque le produit est branché à une source d'alimentation triphasée, le chargeur USB continue de charger lorsque le moteur est éteint. L'alimentation du chargeur USB s'arrête lorsque la batterie du produit est complètement rechargée.

### Vitesse et sens de rotation

Le produit est doté de la Dual Drive technology. Dual Drive technology signifie que la tête de meulage et les disques à meuler fonctionnent sur des moteurs différents. La vitesse et le sens de rotation peuvent être réglés indépendamment entre la tête de meulage et les disques à meuler. Pour régler la vitesse et le sens de rotation indépendamment, augmentez la plage des différents types de surface où le produit peut être utilisé. Pour davantage d'informations.

#### Utilisation de la vitesse

Si le produit est utilisé sur un nouveau type de surface, réglez la vitesse sur 70 % au départ. Lorsque l'utilisateur connaît le type de surface, la vitesse peut être ajustée.

#### Sens de rotation de la tête de meulage et des disques à meuler

Vu de sous le produit, le sens de rotation se présente comme suit :

- « REV » : sens des aiguilles d'une montre
- « FWD » : sens contraire des aiguilles d'une montre

Le résultat obtenu est optimal lorsque la tête de meulage et les disques à meuler tournent dans le même sens.

Pendant son utilisation, le produit peut tirer d'un côté. La direction de la traction est liée au sens de rotation. Le produit tire vers la droite lorsque le sens de rotation est réglé sur « FWD ». Le produit tire vers la gauche lorsque le sens de rotation est réglé sur « REV ».

La traction sur le côté peut vous aider à diriger le produit, par exemple près d'un mur. Réglez le sens de rotation pour tirer dans la direction du mur.

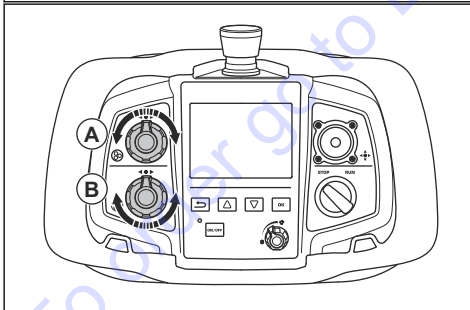
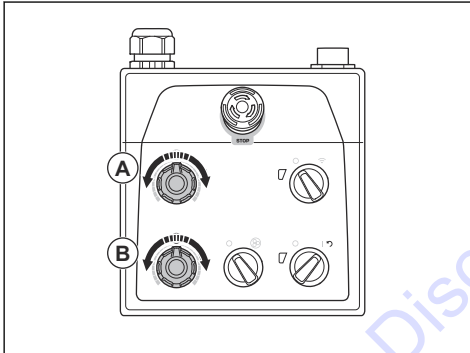


**REMARQUE:** Dirigez le produit avec précaution. Assurez-vous que le produit ne touche que légèrement le mur. Le produit est lourd et peut causer des dommages.

## Pour modifier la vitesse et le sens de rotation des moteurs

Changez régulièrement le sens de rotation du moteur pour prolonger la durée de vie et l'affûtage des outils diamantés. Les segments des outils diamantés sont utilisés de manière égale et la surface de contact reste aussi importante que possible.

- Pour régler la vitesse et le sens de rotation de la tête de meulage, tournez le bouton (A).
- Pour régler la vitesse et le sens de rotation du disque à meuler, tournez le bouton (B).

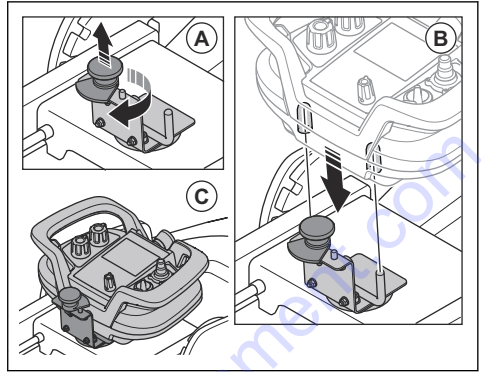


## Pour attacher la télécommande sur le support de télécommande

Lorsque la télécommande n'est pas utilisée, elle peut être attachée sur le support de télécommande du produit.

1. Installez le support de télécommande sur le produit. L'arrière du support de télécommande est doté d'un aimant.

2. Assurez-vous que le bouton de verrouillage sur le support de télécommande est dans la bonne position. Soulevez et tournez le bouton de verrouillage jusqu'à ce qu'il pointe dans le sens opposé au support de télécommande (A).



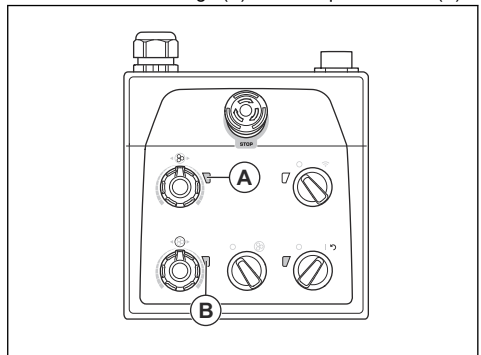
3. Alignez les trous situés à l'arrière de la télécommande sur les broches du support de télécommande (B).
4. Enfoncez complètement la télécommande sur les broches du support de télécommande.
5. Soulevez et tournez le bouton de verrouillage jusqu'à ce qu'il soit sur le dessus de la télécommande (C).
6. Retirez la télécommande en procédant dans l'ordre inverse.

## Panneau de commande

Utilisez le produit en mode manuel à l'aide du panneau de commande présent dans le guidon. Pour avoir un aperçu des boutons du panneau de commande, reportez-vous à la section *Aperçu du panneau de commande* à la page 102.

## Pour utiliser le produit à l'aide du panneau de commande

- Pendant l'utilisation, vérifiez tout changement de couleur au niveau des indicateurs du convertisseur de la tête de meulage (A) et du disque à meuler (B).



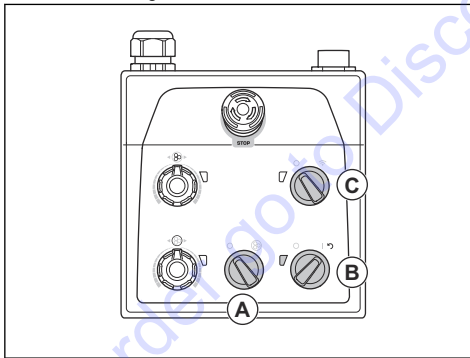
- Voyant vert : le produit fonctionne correctement.
- Voyant orange : la tête de meulage et/ou le disque à meuler est en surcharge. Réduisez la puissance de sortie sous 10 secondes maximum pour éviter l'apparition d'un défaut.
- Voyant rouge : défaut dans un convertisseur et arrêt du produit. Il est nécessaire de réinitialiser le produit. Reportez-vous à la section *Pour réinitialiser le produit à l'aide du panneau de commande à la page 129.*

## Pour démarrer le produit à l'aide du panneau de commande



**REMARQUE:** Déplacez le produit en permanence lorsque la tête de meulage est activée. Si vous ne déplacez pas le produit, la surface peut devenir rugueuse.

1. Assurez-vous que les goupilles d'arrêt pour les roues sont désengagées. Reportez-vous à la section *Pour vérifier les goupilles d'arrêt des roues à la page 112.*
2. Abaissez légèrement le guidon pour soulever la tête de meulage de la surface. La surface de friction des outils diamantés est ainsi relâchée. Ne levez pas complètement la tête de meulage de la surface lors de l'utilisation du produit.
3. Tournez l'interrupteur STOP/RUN (A) du panneau de commande dans le sens contraire des aiguilles d'une montre et placez-le sur 0 pour vous assurer que la tête de meulage est désactivée.



4. Placez l'interrupteur de marche/arrêt (B) du panneau de commande sur « 1 » pour démarrer le produit. La LED située à côté de l'interrupteur de MARCHE/ ARRÊT s'allume.
5. Tournez l'interrupteur du mode télécommande/manuel (C) sur le panneau de commande dans le sens contraire des aiguilles d'une montre sur la position 0 pour activer le mode manuel.

6. Tournez l'interrupteur STOP/RUN situé sur le panneau de commande dans le sens des aiguilles d'une montre pour démarrer la tête de meulage. En moins de 5 secondes, le produit fonctionne au régime de ralenti. Le petit moteur démarre après environ 2 secondes.

## Pour arrêter le produit à l'aide du panneau de commande

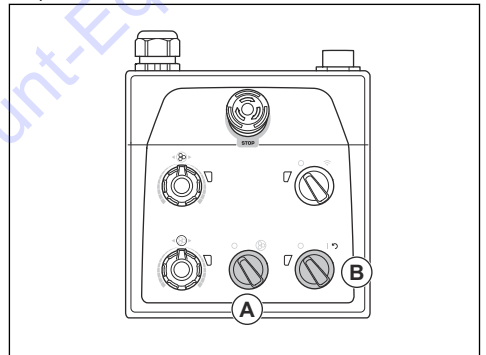


**REMARQUE:** Ne soulevez pas la tête de meulage de la surface lorsque vous arrêtez le moteur. Les plaques des outils tournent pendant un moment après l'arrêt du moteur. La poussière risque de pénétrer dans l'air et d'endommager la surface.



**REMARQUE:** Ne laissez pas le produit s'immobiliser avant que les plaques des outils soient complètement arrêtées.

1. Tournez l'interrupteur STOP/RUN (A) du panneau de commande dans le sens contraire des aiguilles d'une montre pour le placer sur « 0 » afin d'arrêter le produit.



2. Maintenez les plaques des outils contre la surface jusqu'à ce qu'elles s'arrêtent complètement.



**REMARQUE:** Si vous meulez un matériau adhésif, de l'asphalte, de la peinture ou un matériau équivalent, le produit risque de se coller à la surface adhésive. Immédiatement après l'arrêt complet de la plaque d'outil, soulevez légèrement l'avant de la tête de meulage.

3. Placez l'interrupteur de marche/arrêt (B) du panneau de commande sur « 0 » pour arrêter le produit. La LED située à côté de l'interrupteur de marche/arrêt s'éteint.
4. Débranchez la fiche d'alimentation électrique.

## Kit de communication SMS/GPS

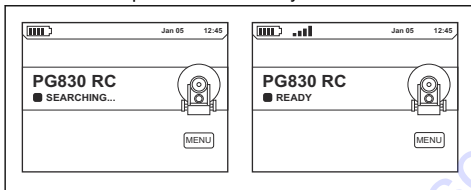
La télécommande peut fonctionner par communication radio. Pour activer la communication radio, vous devez effectuer une opération d'appariement. Reportez-vous à la section *Pour effectuer une opération d'appariement à la page 127.*

La télécommande peut également fonctionner avec un câble de bus CAN branché entre la télécommande et le produit. Le câble de bus CAN peut par exemple être utilisé lorsque l'état de charge de la batterie de la télécommande est faible. Pour savoir comment brancher la télécommande au produit à l'aide d'un câble de bus CAN, reportez-vous à la section *Pour brancher la télécommande au produit avec un câble de bus CAN à la page 127.*

La télécommande dispose de toutes les commandes nécessaires pour utiliser le produit. La télécommande est dotée d'un affichage numérique avec système de menus. Reportez-vous à la section *Vue d'ensemble des menus à la page 123.*

### Menu principal

Dans le menu principal, le bouton « OK » de la télécommande permet d'ouvrir le système de menus.

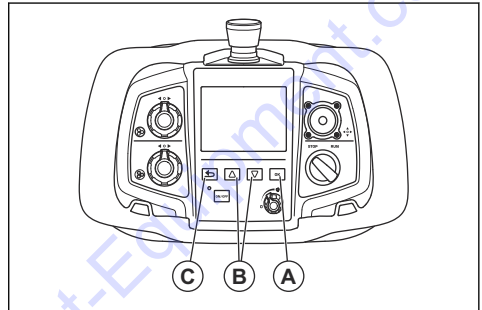


## Système de menus

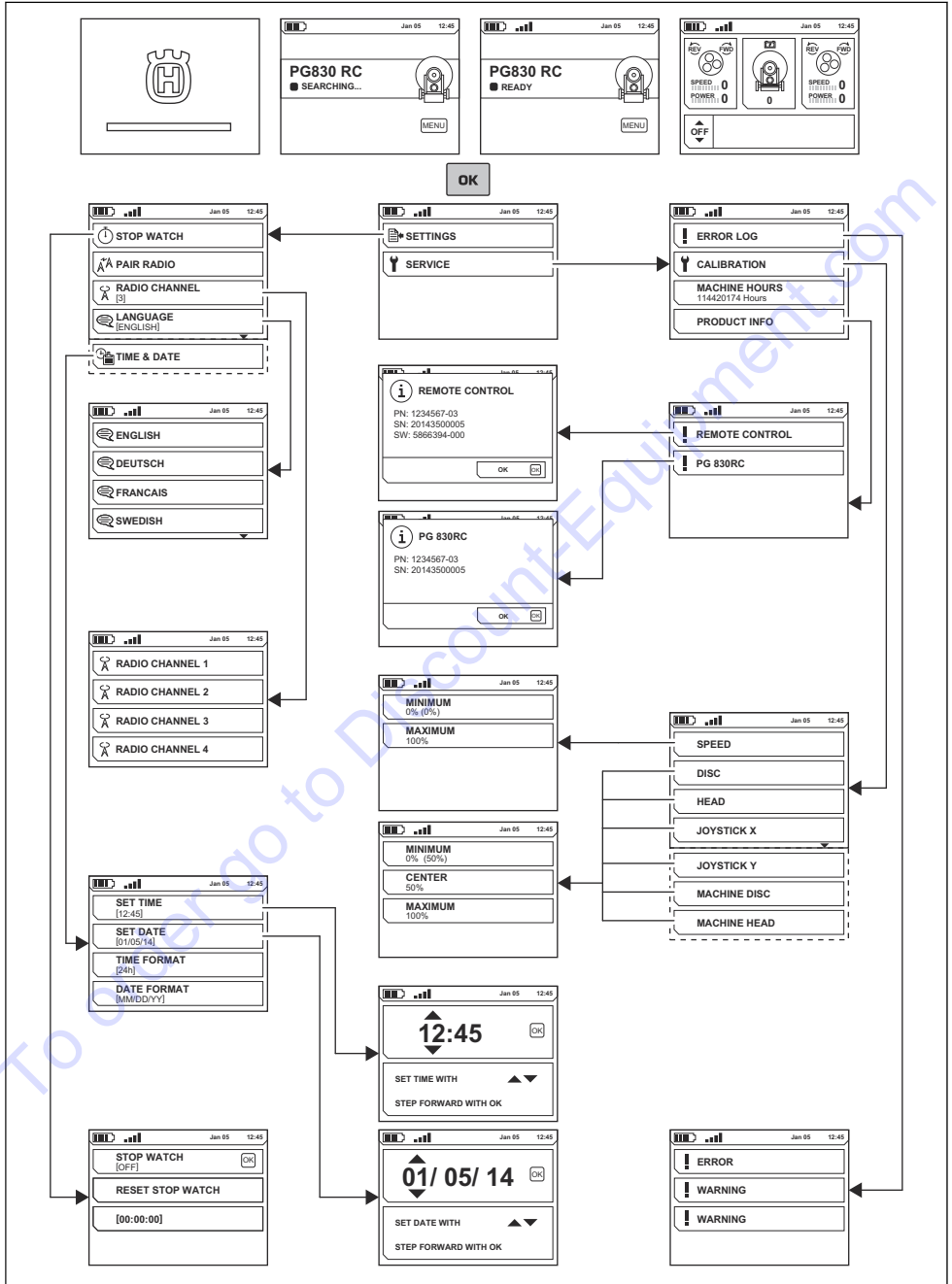
**Remarque:** Dans le présent manuel, les textes affichés sont en anglais. Sur votre produit, les textes affichés sont dans la langue sélectionnée. Reportez-vous à la section « LANGUES » à la page 124.

Le système de menus comporte les sous-menus « PARAMÈTRES » et « ENTRETIEN ».

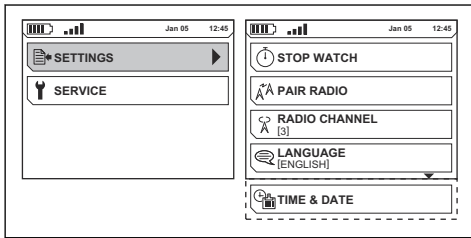
Les touches fléchées (B) permettent de monter et descendre dans les listes de menus. Le bouton « OK » (A) permet de sélectionner. Le bouton (C) permet de revenir à la structure de menu.



# Vue d'ensemble des menus



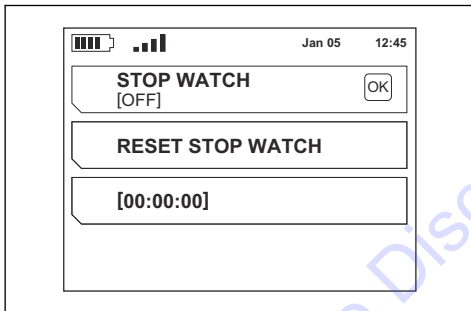
## Menu « PARAMÈTRES »



### « CHRONO »

La fonction « CHRONO » mesure le temps nécessaire pour effectuer une opération. Le chronomètre se lance lorsque vous démarrez le produit.

- « ACTIVATION/DÉSACTIVATION DU CHRONO » : permet d'activer/désactiver la fonction.
- « RÉINIT. CHRONO » : permet de réinitialiser la fonction.
- [00:00:00] : indique la durée de fonctionnement en heures, minutes et secondes.



### « APPARIER RADIO »

« APPARIER RADIO » lance une opération d'appariement entre la télécommande et le produit.

### « CANAL RADIO »

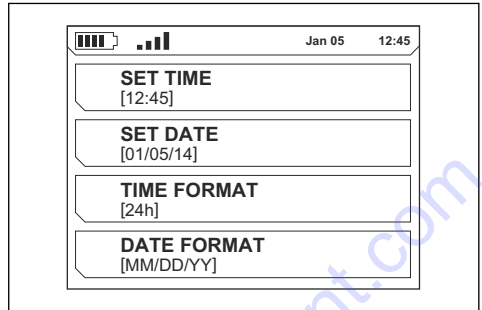
« CANAL RADIO » affiche une sélection de canaux radio. Pour changer de canal radio, vous devez effectuer une opération d'appariement. Reportez-vous à la section *Pour effectuer une opération d'appariement à la page 127.*

### « LANGUES »

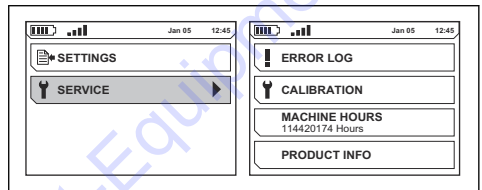
« LANGUES » permet de définir la langue du texte à l'écran.

## « HEURE & DATE »

« HEURE & DATE » permet de régler l'heure, la date ainsi que le format de l'heure et de la date.



## Menu « ENTRETIEN »



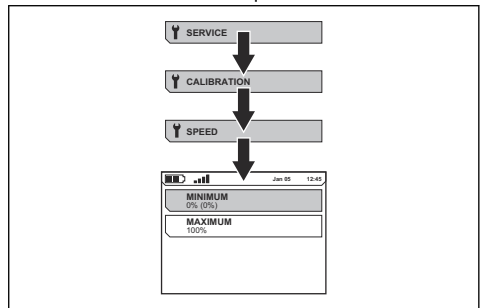
### « JOURNAL D'ERREURS »

Le « JOURNAL D'ERREURS » contient la liste des défauts détectés par le produit. Reportez-vous à la section *Messages d'erreur et d'avertissement sur la télécommande à la page 138.*

### « CALIBRAGE »

Si le produit ne se déplace pas correctement, vous devez calibrer les commandes de la télécommande et du panneau de commande. Le calibrage s'effectue avec la télécommande.

Le calibrage des différentes commandes s'effectue dans le menu « CALIBRAGE ». La sélection « MINIMUM » est la valeur standard de chaque fonction.

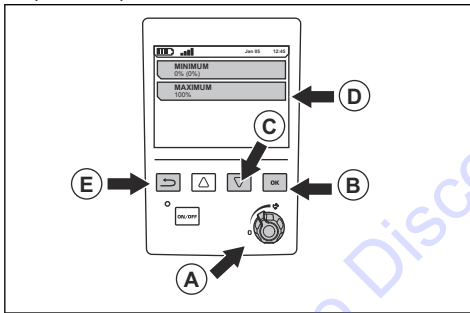


- « VITESSE » : calibrage de la commande de vitesse du produit.

- « DISQUE » : calibrage de la commande de sens de rotation et de vitesse des disques à meuler sur la télécommande.
- « TÊTE » : calibrage de la commande de sens de rotation et de vitesse de la tête de meulage sur la télécommande.
- « LEVIER COMMANDE X » : calibrage de la position du levier de commande, droite et gauche.
- « LEVIER COMMANDE Y » : calibrage de la position du levier de commande, avant et arrière.
- « DISQUE MACHINE » : calibrage de la commande de sens de rotation et de vitesse des disques à meuler sur le panneau de commande.
- « TÊTE MACHINE » : calibrage de la commande de sens de rotation et de vitesse de la tête de meulage sur le panneau de commande.

### Pour calibrer la commande de vitesse

1. Sélectionnez « VITESSE » dans le menu « CALIBRAGE ».
2. Tournez le bouton de limitation de vitesse (A) dans le sens contraire des aiguilles d'une montre sur la position 0 pour sélectionner la valeur minimale.

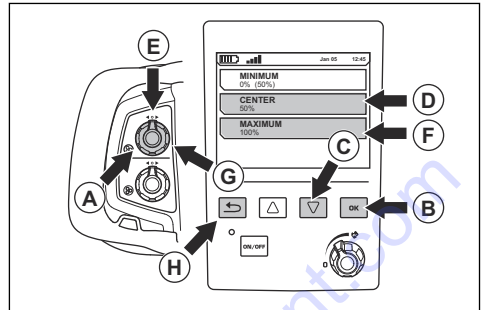


3. Appuyez sur le bouton « OK » (B).
4. Appuyez sur la touche fléchée du bas (C) pour sélectionner « MAXIMUM » (D) à l'écran.
5. Tournez le bouton de limitation de vitesse dans le sens des aiguilles d'une montre pour sélectionner la valeur maximale.
6. Appuyez sur le bouton « OK ».
7. Appuyez sur le bouton (E) pour revenir à la structure de menu.

### Pour calibrer le disque à meuler et la tête de meulage

1. Sélectionnez « DISQUE », « TÊTE », « DISQUE MACHINE » ou « TÊTE MACHINE » dans le menu « CALIBRAGE ». Reportez-vous à la section « CALIBRAGE » à la page 124 pour obtenir une description de chaque sélection.

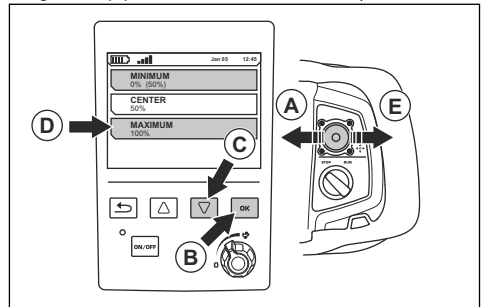
2. Tournez le bouton de sens de rotation et de vitesse de la tête de meulage dans le sens contraire des aiguilles d'une montre pour sélectionner la valeur minimale (A).



3. Appuyez sur le bouton « OK » (B).
4. Utilisez la touche fléchée du bas (C) pour sélectionner « CENTRE » (D) à l'écran.
5. Tournez le bouton de sens de rotation et de vitesse de la tête de meulage dans le sens des aiguilles d'une montre jusqu'à ce que le bouton pointe en haut (E).
6. Appuyez sur le bouton « OK ».
7. Utilisez la touche fléchée du bas pour sélectionner « MAXIMUM » (F) à l'écran.
8. Tournez le bouton de sens de rotation et de vitesse de la tête de meulage dans le sens des aiguilles d'une montre pour sélectionner la valeur maximale (G).
9. Appuyez sur le bouton « OK ».
10. Appuyez sur le bouton (H) pour revenir à la structure de menu.
11. Procédez de la même manière pour les 3 autres commandes.

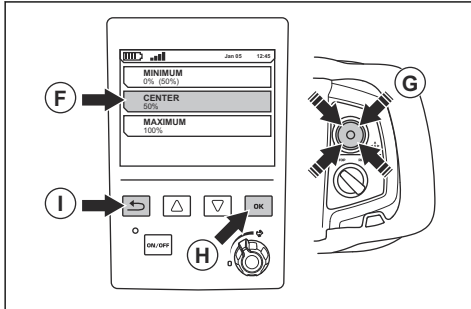
### Pour calibrer le levier de commande

1. Pour calibrer le mouvement horizontal du levier de commande, sélectionnez « LEVIER COMMANDE X » dans le menu « CALIBRAGE ».
2. Poussez le levier de commande bien droit vers la gauche (A) et maintenez-le dans cette position.





3. Appuyez sur le bouton « OK » (B) pour sélectionner « MINIMUM » à l'écran.
4. Utilisez la touche fléchée du bas (C) pour sélectionner « MAXIMUM » (D) à l'écran.
5. Appuyez sur le bouton « OK ».
6. Relâchez le levier de commande.
7. Procédez de la même manière à droite (E).
8. Pour calibrer « CENTRE » (F), relâchez le levier de commande. Le levier de commande revient en position centrale (G).



9. Appuyez sur le bouton « OK » (H).
10. Appuyez sur le bouton (I) pour revenir à la structure de menu.
11. Pour calibrer le mouvement vertical du levier de commande, sélectionnez « LEVIER COMMANDE Y » dans le menu « CALIBRAGE ».
12. Effectuez la même procédure de calibrage que pour « LEVIER COMMANDE X » mais déplacez le levier de commande vers le haut et le bas.

### « HEURES DE FONCT. »

« HEURES DE FONCT. » indique la durée totale de fonctionnement du produit en heures.

### « INFOS PRODUIT »

« INFOS PRODUIT » affiche des informations sur le produit ou la télécommande.

### Menu des fonctions pour l'oscillation et le décalage

L'oscillation empêche la formation de bords sur la surface. Lorsque vous modifiez une valeur dans le menu d'oscillation et de décalage, les corrections sont appliquées au bout de quelques secondes.

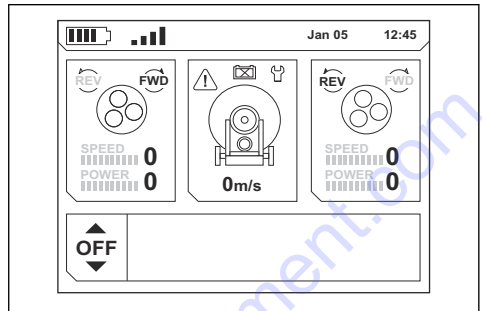


**REMARQUE:** Surveillez l'oscillation lorsque le produit est utilisé près de murs et de bords. Arrêtez l'oscillation lorsque vous tournez le produit ou que vous travaillez à proximité d'objets.

- « MARCHÉ »/« ARRÊT » : permet de démarrer/d'arrêter l'oscillation. À utiliser par exemple lorsque

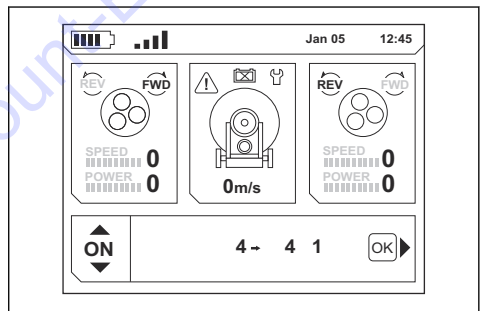
vous tournez le produit. Lorsque vous commencez l'oscillation, les valeurs utilisées sont les mêmes que celles utilisées avant l'arrêt.

Les touches fléchées de la télécommande vous permettent de basculer entre « Marche » et « Arrêt ».

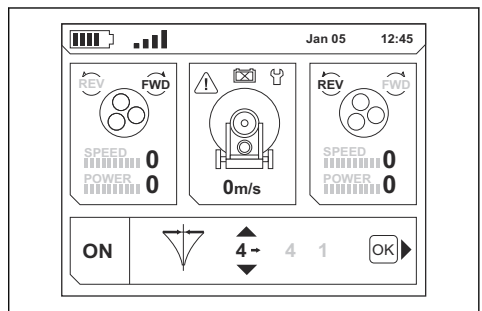


- Décalage : la correction du sens de déplacement du produit pendant son utilisation.

Les touches fléchées permettent de commencer l'oscillation. Le bouton « OK » de la télécommande permet d'activer le mode de décalage.

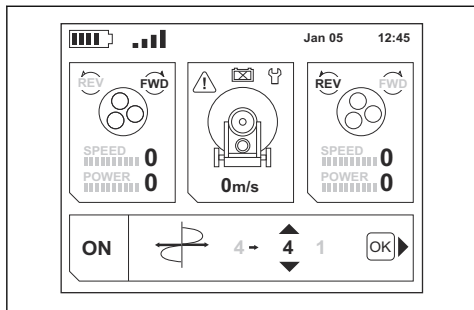


- En mode de décalage, les touches fléchées permettent d'ajuster la valeur de décalage.



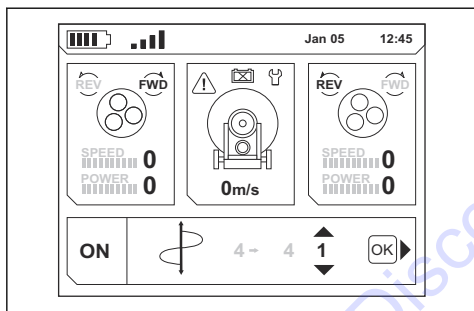
- Amplitude : la largeur d'oscillation.

En mode de décalage, le bouton « OK » permet d'activer le mode d'amplitude. Les touches fléchées permettent d'ajuster la valeur d'amplitude.



- Fréquence : la vitesse d'oscillation.

En mode d'amplitude, le bouton « OK » permet d'activer le mode de fréquence. Les touches fléchées permettent d'ajuster la valeur de fréquence.



- En mode de fréquence, le bouton « OK » revient en mode « Marche »/« Arrêt » de l'oscillation.

## Pour utiliser le produit à l'aide de la télécommande



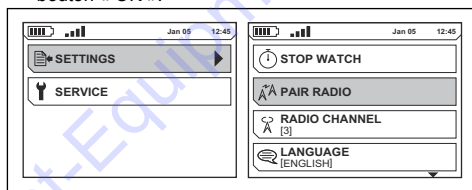
**AVERTISSEMENT:** Assurez-vous de toujours pouvoir voir le produit lorsque vous l'utilisez avec la télécommande. La portée de la télécommande permet de déplacer le produit même lorsque vous ne pouvez pas le voir. Risque de blessures et de dommages.

## Pour effectuer une opération d'appariement

Lors de la première utilisation de la télécommande avec le produit, une opération d'appariement est nécessaire.

Une opération d'appariement est également nécessaire si la télécommande est remplacée ou si vous changez de télécommande d'un produit à l'autre.

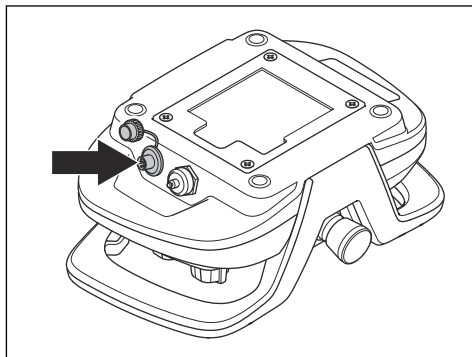
1. Assurez-vous que les boutons d'arrêt d'urgence sur le panneau de commande et la télécommande sont désengagés. Reportez-vous à *Pour contrôler le bouton d'arrêt d'urgence sur le panneau de commande à la page 111* et *Pour contrôler le bouton d'arrêt d'urgence sur la télécommande à la page 111*.
2. Branchez le cordon d'alimentation et démarrez le produit.
3. Branchez le câble de bus CAN. Reportez-vous à la section *Pour brancher la télécommande au produit avec un câble de bus CAN à la page 127*.
4. Attendez que la télécommande soit complètement rechargée et que le menu principal s'affiche à l'écran.
5. Appuyez sur le bouton « OK » pour ouvrir le système de menus.
6. Sélectionnez « PARAMÈTRES » et appuyez sur le bouton « OK ».



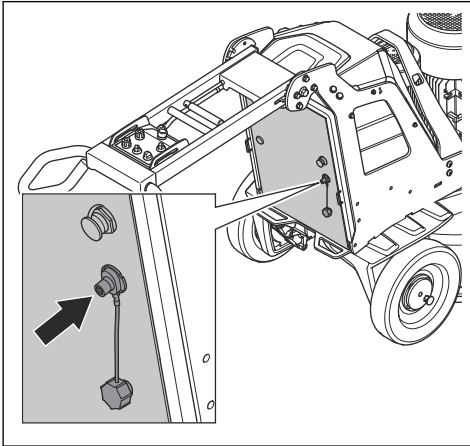
7. Utilisez les touches fléchées pour descendre jusqu'à « APPARIER RADIO » et appuyez sur le bouton « OK ».
8. Un message à l'écran indique si l'opération d'appariement s'est effectuée correctement. Recommencez la procédure si l'opération d'appariement ne s'est pas effectuée correctement.

## Pour brancher la télécommande au produit avec un câble de bus CAN

1. Placez une extrémité du câble de bus CAN dans le connecteur sur la télécommande.



2. Placez l'autre extrémité du câble de bus CAN dans le connecteur sur la porte du boîtier électrique.



3. Serrez à la main les vis des connecteurs du câble de bus CAN.

### Pour démarrer le produit à l'aide de la télécommande



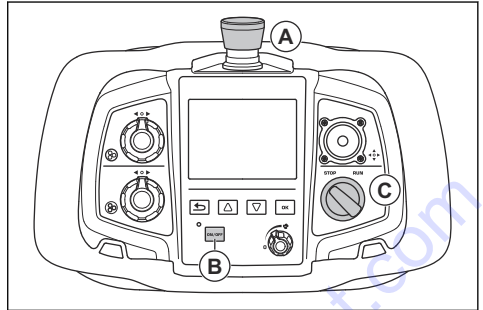
**REMARQUE:** Déplacez le produit en permanence lorsque la tête de meulage est activée. Si vous ne déplacez pas le produit, la surface peut devenir rugueuse.

1. Tournez les goupilles d'arrêt sur les roues gauche et droite jusqu'à ce que l'axe de la goupille d'arrêt soit aligné sur l'encoche. Reportez-vous à la section *Pour vérifier les goupilles d'arrêt des roues à la page 112.*

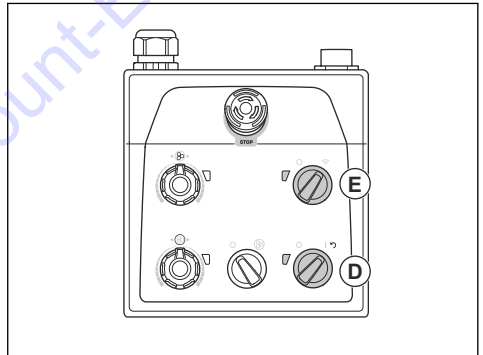


**AVERTISSEMENT:** Vérifiez que les 2 goupilles d'arrêt sont correctement alignées. Si une seule goupille d'arrêt s'engage, cela présente des risques de blessures et de dommages lors du démarrage du produit.

2. Tournez le bouton d'arrêt d'urgence (A) sur la télécommande dans le sens des aiguilles d'une montre pour vous assurer qu'il est désengagé.



3. Appuyez sur le bouton Marche/Arrêt (B) de la télécommande. La télécommande est active lorsque l'écran s'allume.
4. Tournez l'interrupteur STOP/RUN (C) de la télécommande sur STOP.
5. Tournez l'interrupteur de Marche/Arrêt (D) du panneau de commande sur la position 1 pour démarrer le produit. La LED située à côté de l'interrupteur de MARCHÉ/ARRÊT s'allume.



6. Tournez le bouton du mode télécommande/manuel (E) sur le panneau de commande dans le sens des aiguilles d'une montre pour utiliser le mode télécommande. La LED située à côté du bouton du mode télécommande/manuel clignote.
7. Tournez l'interrupteur STOP/RUN de la télécommande sur RUN pour commencer l'opération. En moins de 5 secondes, le produit fonctionne au régime de ralenti. Le petit moteur démarre après environ 2 secondes.
8. Déplacez le levier de commande de manière à diriger le produit.



**REMARQUE:** Déplacez le levier de commande avec précaution. Un déplacement forcé du levier de commande n'améliore pas pour autant les performances du produit. Le levier de commande risque

d'être endommagé si vous exercez une force trop importante dessus.



**REMARQUE:** Ne soulevez pas la télécommande en utilisant le levier de commande.

**Remarque:** Sur des surfaces abrasives, il peut être nécessaire de pousser le levier de commande vers l'avant pour limiter la friction de surface des outils diamantés.

**Pour utiliser le produit avec la télécommande reliée par un câble de bus CAN**



**AVERTISSEMENT:** N'utilisez pas la télécommande lorsqu'elle est reliée par un câble de bus CAN car le produit risque de tomber. L'utilisateur doit être désengagé du produit.

- Branchez le câble de bus CAN entre la télécommande et le produit. Reportez-vous à la section *Pour brancher la télécommande au produit avec un câble de bus CAN* à la page 127.
- Assurez-vous que les goupilles d'arrêt des roues sont engagées. Reportez-vous à la section *Pour vérifier les goupilles d'arrêt des roues* à la page 112.

**Pour arrêter le produit à l'aide de la télécommande**

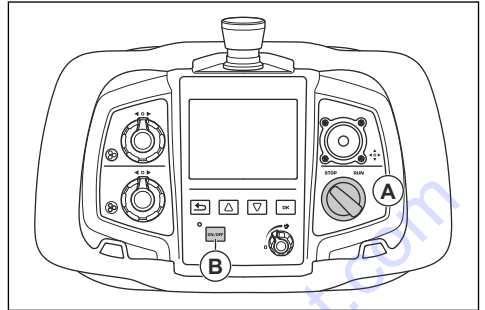


**REMARQUE:** Ne soulevez pas la tête de meulage de la surface lorsque vous arrêtez le moteur. Les plaques des outils tournent pendant un moment après l'arrêt du moteur. La poussière risque de pénétrer dans l'air et d'endommager la surface.



**REMARQUE:** Ne laissez pas le produit s'immobiliser avant que les plaques des outils soient complètement arrêtées.

1. Tournez l'interrupteur STOP/RUN (A) de la télécommande sur STOP pour arrêter la tête de meulage.

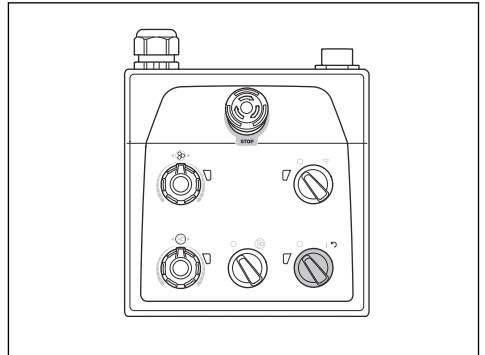


2. Maintenez les plaques des outils contre la surface jusqu'à ce qu'elles s'arrêtent complètement.



**REMARQUE:** Si vous meulez un matériau adhésif, de l'asphalte, de la peinture ou un matériau équivalent, le produit risque de se coller à la surface adhésive. Immédiatement après l'arrêt complet de la plaque d'outil, soulevez légèrement l'avant de la tête de meulage.

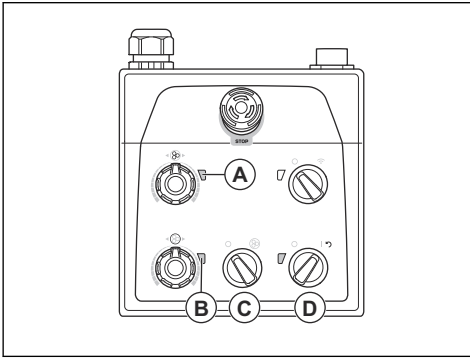
3. Appuyez sur le bouton Marche/Arrêt (B) de la télécommande. L'écran s'éteint.
4. Tournez l'interrupteur de Marche/Arrêt du panneau de commande sur la position 0 pour arrêter le produit. La LED située à côté de l'interrupteur de marche/arrêt s'éteint.



5. Débranchez la fiche d'alimentation électrique.

**Pour réinitialiser le produit à l'aide du panneau de commande**

Vous pouvez utiliser l'interrupteur de Marche/Arrêt comme bouton de réinitialisation en cas de dégagement d'un convertisseur. Réinitialisez le produit lorsque les indicateurs du convertisseur de la tête de meulage (A) et/ou du disque à meuler (B) sont rouges.

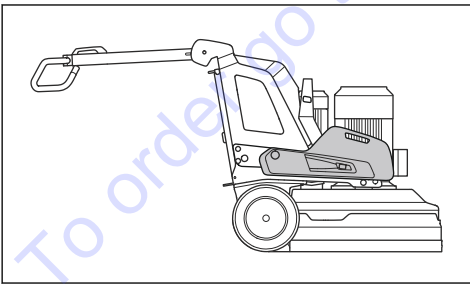


1. Tournez l'interrupteur STOP/RUN (C) dans le sens contraire des aiguilles d'une montre sur la position 0 pour vérifier que la tête de meulage est éteinte.
2. Tournez l'interrupteur de Marche/Arrêt sur la position fléchée (D) pour réinitialiser le produit. Une fois le défaut réinitialisé, les indicateurs du convertisseur de la tête de meulage et du disque à meuler sont verts.
3. Tournez l'interrupteur STOP/RUN situé sur le panneau de commande dans le sens des aiguilles d'une montre pour redémarrer la tête de meulage.

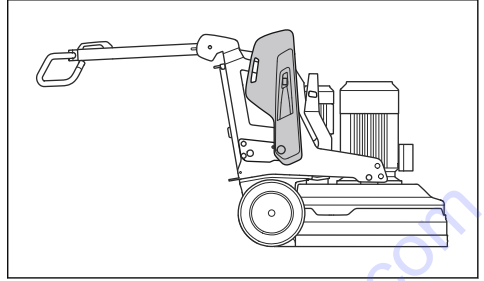
## Poids

Un poids est installé de chaque côté du produit. Si vous trouvez le produit lourd pendant son utilisation, réglez les poids pour modifier la pression appliquée sur la tête de meulage. Les poids doivent être réglés dans la même position à gauche et à droite. Les poids peuvent être placés en 3 positions :

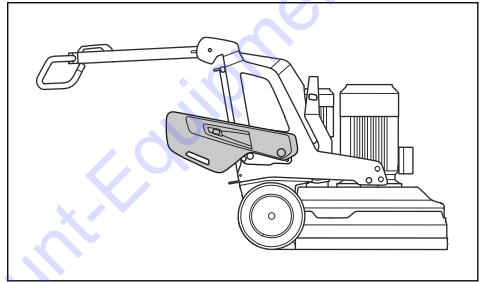
- Position 1 : pression maximale sur la tête de meulage. Cette position améliore le fonctionnement. Cette position est également celle du transport du produit.



- Position 2 : pression standard sur la tête de meulage.



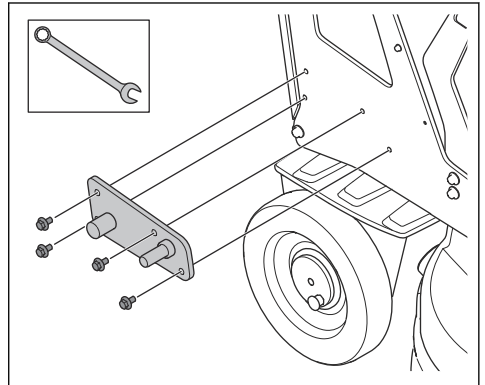
- Position 3 : pression minimale sur la tête de meulage. Cette position est également celle de l'entretien du produit.



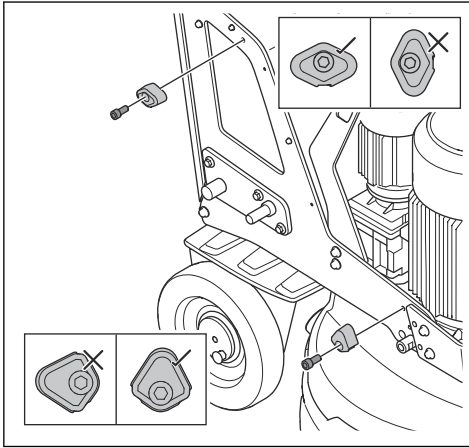
## Montage et démontage des poids

Un poids est installé de chaque côté du produit. Effectuez la procédure expliquée ci-après pour chaque poids.

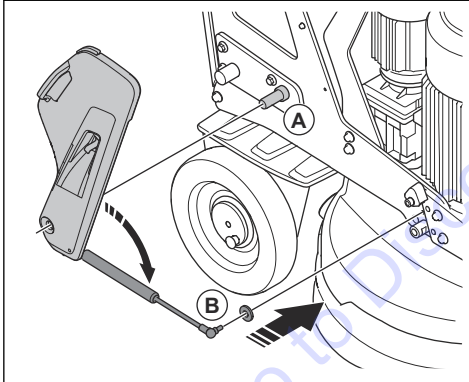
1. Posez le porte-masses et serrez les 4 vis.



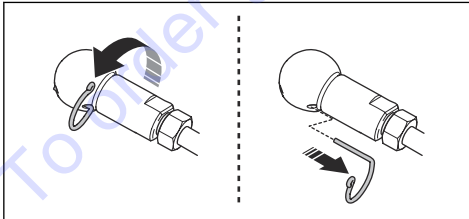
2. Posez les 2 supports de poids. Vérifiez que les supports de poids sont correctement installés, comme illustré.



3. Placez le poids sur le cylindre (A) du porte-masses.



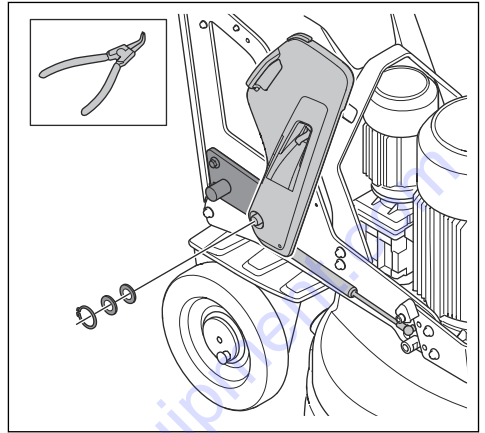
4. Fixez le ressort à gaz du poids sur le produit (B).  
a) Déposez le ressort de blocage de la rotule.



- b) Déposez les rotules du ressort à gaz.  
c) Fixez la rotule au produit.

- d) Fixez le ressort à gaz à la rotule. Fixez le ressort à gaz sur la rotule à l'aide du ressort de blocage.

5. Fixez le poids sur le support prévu à cet effet à l'aide de l'anneau de blocage.



### Réglage des poids

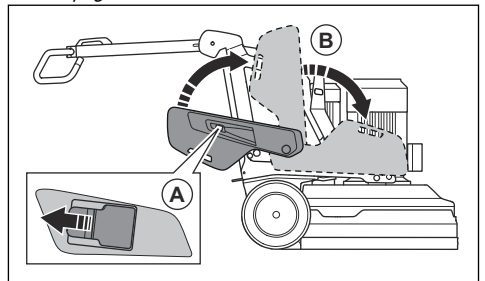


**AVERTISSEMENT:** Réglez les poids avec précaution. Les pièces mobiles peuvent provoquer des blessures.



**AVERTISSEMENT:** Vérifiez toujours que le verrou de poids se verrouille correctement lorsque les poids sont placés dans la position sélectionnée.

1. Poussez le verrou de poids (A) et déplacez le poids dans la position sélectionnée (B) à l'aide de la poignée de poids. Reportez-vous à la section *Poids à la page 130*.



2. Libérez le verrou de poids pour verrouiller le poids dans la position sélectionnée.

# Entretien

## Introduction



**AVERTISSEMENT:** Avant d'effectuer des travaux d'entretien, vous devez lire et comprendre le chapitre sur la sécurité.

Une formation spécifique est nécessaire pour effectuer tous les travaux d'entretien et de réparation du produit. Nous garantissons qu'il vous est possible d'obtenir des services de réparation et d'entretien effectués par des professionnels. Si votre concessionnaire n'est pas un atelier spécialisé, demandez-lui des informations à propos de l'atelier spécialisé le plus proche.

## À faire avant l'entretien

- Utilisez un équipement de protection personnelle. Reportez-vous à la section *Équipement de protection individuel* à la page 108.
- Portez une protection respiratoire homologuée. La poussière présente dans le produit est dangereuse pour la santé.
- Garez le produit sur une surface plane.

- Arrêtez le moteur et débranchez la prise de courant pour éviter tout démarrage accidentel lors de l'entretien.
- Éliminez toute trace d'huile et de saleté autour du produit. Enlevez les objets indésirables.
- Placez une signalisation claire pour informer les personnes se trouvant à proximité que des travaux d'entretien sont en cours.
- Gardez les extincteurs, le matériel médical et un téléphone de secours à proximité.

## Schéma d'entretien

\* = Entretien général effectué par l'opérateur. Les instructions ne sont pas mentionnées dans ce manuel d'utilisation.

X = Les instructions sont mentionnées dans ce manuel d'utilisation.

O = Les instructions ne sont pas mentionnées dans ce manuel d'utilisation. Faites réaliser l'entretien par un agent d'entretien agréé.

Entretien	Au quotidien	Toutes les semaines	Tous les 6 mois	Tous les 12-36 mois
Contrôlez l'interrupteur de Marche/Arrêt sur le panneau de commande.	*			
Contrôlez l'interrupteur STOP/RUN sur la télécommande.	*			
Contrôlez le bouton d'arrêt d'urgence sur le panneau de commande.	X			
Contrôlez le bouton d'arrêt d'urgence sur la télécommande.	X			
Contrôlez les points de fixation et la fonction de verrouillage de la poignée.		*		
Contrôlez les points de fixation et la fonction de verrouillage des poids.		*		
Nettoyez les surfaces extérieures du produit.	X			
Nettoyez les composants internes du produit.			O	
Faites une inspection générale.	X			
Contrôlez les disques à meuler.	X			
Contrôlez le fonctionnement du système d'entraînement de la tête de meulage.		X		
Effectuez l'entretien du système d'entraînement des disques à meuler.				O
Contrôlez la connexion entre le châssis et la tête de meulage.		*		

## Pour nettoyer le produit



**REMARQUE:** une prise d'air obstruée diminue les performances du produit et peut entraîner une surchauffe du moteur.

- Éliminez toute obstruction de toutes les prises d'air. Le produit doit être toujours suffisamment frais.
- Débranchez toujours la prise de courant de la prise secteur avant le nettoyage.
- N'utilisez pas de produits chimiques pour nettoyer le produit.
- Ne nettoyez pas les composants électriques avec de l'eau.
- Nettoyez toujours la totalité de l'équipement à la fin de la journée de travail.
  - a) Inclinez le produit jusqu'à ce que le guidon touche le sol.
  - b) Retirez les outils diamantés et faites fonctionner le produit pendant une courte durée à la vitesse la plus basse. Faites fonctionner le produit pour réduire la quantité de poussière sur la surface supérieure de la tête de meulage.
  - c) Nettoyez les composants sur la surface inférieure de la tête de meulage à l'aide d'un nettoyeur haute pression.



**REMARQUE:** Ne pointez pas le nettoyeur haute pression directement sur les joints ou les points d'attache.

## Pour nettoyer la batterie et le chargeur de batterie



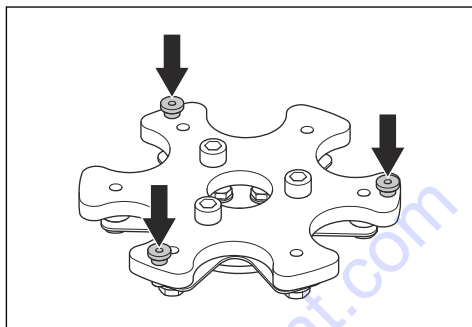
**REMARQUE:** Ne nettoyez pas la batterie ou le chargeur de batterie avec de l'eau.

- Avant de brancher la batterie au chargeur de batterie, assurez-vous que la batterie et le chargeur de batterie sont propres et secs.
- Nettoyez les bornes de la batterie avec de l'air comprimé ou un chiffon sec et doux.
- Nettoyez les surfaces de la batterie et du chargeur de batterie avec un chiffon sec et doux.

## Pour faire une inspection générale

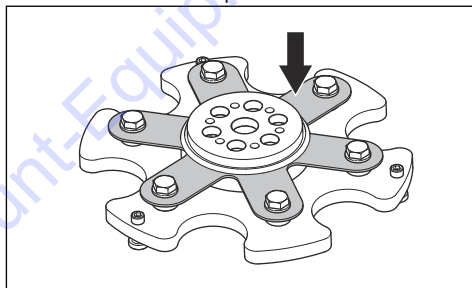
- Assurez-vous que le cordon d'alimentation et la rallonge sont en bon état et non endommagés.
- Assurez-vous que les écrous et les vis sont serrés.

- Assurez-vous que les vis sont serrées. Si nécessaire, serrez les vis et utilisez un frein filet 680 LOCTITE®.



## Pour contrôler les disques à meuler

- Vérifiez l'absence de dommages sur le ressort en acier et assurez-vous qu'il est en bon état.



- Remplacez tout ressort en acier endommagé.

**Remarque:** Il n'est pas nécessaire de jeter le disque à meuler lorsque vous remplacez le ressort en acier.

- Ajoutez un deuxième ressort en acier pour rigidifier la tête à ressort en acier.

## Système d'entraînement pour la tête de meulage

Le système d'entraînement pour la tête de meulage est un système fermé. Si vous rencontrez des problèmes avec le système d'entraînement de la tête de meulage, contactez votre agent d'entretien Husqvarna.

## Batterie du produit

La batterie du produit ne doit être utilisée que pour déplacer le produit à l'aide de la télécommande entre le véhicule de transport et la zone de travail. Vous ne devez pas vous servir de la batterie du produit pour utiliser ce dernier. Le produit doit être branché à une source d'alimentation pendant son utilisation.

Avant d'utiliser le produit pour la première fois, il est nécessaire de recharger la batterie.

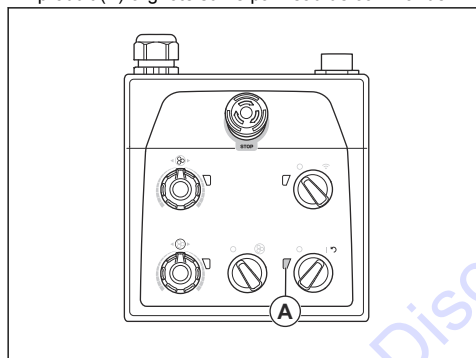


La durée de fonctionnement est d'environ 1 heure lorsque la batterie est complètement chargée. La température ambiante et la fréquence d'utilisation des moteurs de roue peuvent réduire la durée de fonctionnement.

### Pour recharger la batterie du produit via une source d'alimentation triphasée

La batterie du produit se recharge lorsque le produit est branché à une source d'alimentation triphasée et qu'il est en marche. Lorsque la batterie du produit est vide, son temps de charge est d'environ 3 à 4 heures.

1. Rechargez la batterie à une température ambiante comprise entre 0 °C/32 °F et 40 °C/104 °F.
2. Branchez le produit à une source d'alimentation triphasée. Reportez-vous à la section *Branchement du produit à une source d'alimentation* à la page 118. Lorsque la batterie est en charge, l'indicateur d'alimentation et d'état de charge de la batterie du produit (A) clignote sur le panneau de commande.



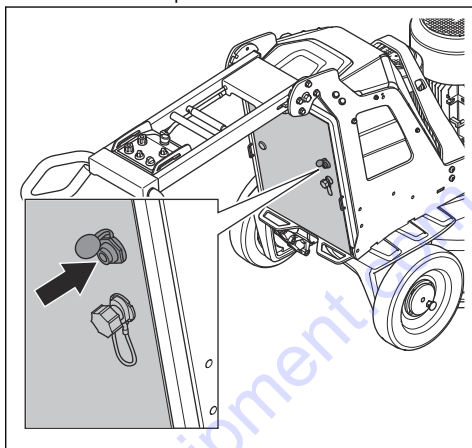
3. Lorsque la batterie est complètement rechargée, l'indicateur d'alimentation et d'état de charge de la batterie du produit s'éteint.

### Pour recharger la batterie du produit via un branchement monophasé

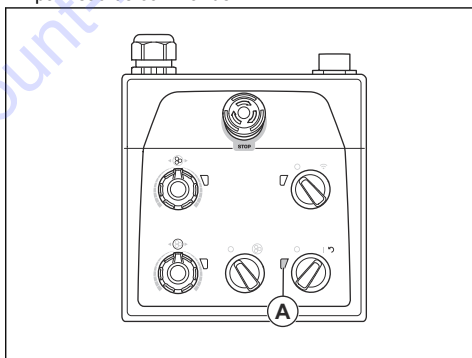
Lorsque la batterie du produit est vide, son temps de charge est d'environ 3 à 4 heures.

1. Rechargez la batterie à une température ambiante comprise entre 0 °C/32 °F et 40 °C/104 °F.

2. Branchez le câble de charge monophasé sur le connecteur du chargeur de batterie situé sur la porte du boîtier électrique.



3. Branchez l'autre extrémité du câble de charge monophasé à une prise secteur. Lorsque la batterie est en charge, l'indicateur d'alimentation et d'état de charge de la batterie du produit (A) clignote sur le panneau de commande.



4. Lorsque la batterie est complètement rechargée, l'indicateur d'alimentation et d'état de charge de la batterie du produit s'éteint.

### Batterie de la télécommande

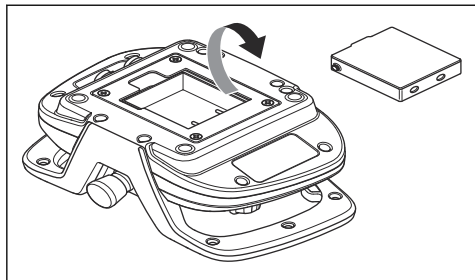
La durée de fonctionnement est d'environ 8 à 10 heures lorsque la batterie de la télécommande est complètement chargée. Si l'écran est fréquemment utilisé, la durée de fonctionnement peut diminuer.

Avant d'utiliser la télécommande pour la première fois, il est nécessaire de recharger la batterie.

### Pour retirer et installer la batterie de la télécommande dans la télécommande

1. Retournez la télécommande pour accéder à la partie arrière où se trouve la batterie.

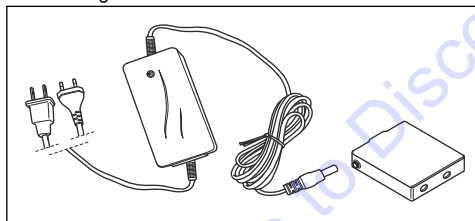
2. Retirez ou installez la batterie de la télécommande.



### Pour recharger la batterie de la télécommande à l'aide du chargeur de batterie

Lorsque la batterie de la télécommande est vide, son temps de charge est d'environ 2 à 3 heures avec le chargeur de batterie.

1. Retirez la batterie de la télécommande. Reportez-vous à la section *Pour retirer et installer la batterie de la télécommande dans la télécommande à la page 134*.
2. Branchez le chargeur de batterie à une prise secteur.
3. Reliez la batterie de la télécommande au chargeur de batterie. L'indicateur du chargeur de batterie est orange lorsque la batterie de la télécommande est en charge.



4. Lorsque la batterie de la télécommande est complètement rechargée, l'indicateur devient vert. Retirez la batterie de la télécommande sur le chargeur de batterie.
5. Débranchez le chargeur de batterie de la prise secteur.

### Pour recharger la batterie de la télécommande à l'aide du câble de bus CAN

Le temps de charge avec le câble de bus CAN est plus long qu'avec le chargeur de batterie. La télécommande peut être utilisée pendant la charge avec le câble de bus CAN.

**Remarque:** Vous devez brancher le produit sur une prise d'alimentation et placer l'interrupteur marche/arrêt sur 1 pour charger la batterie de la télécommande.

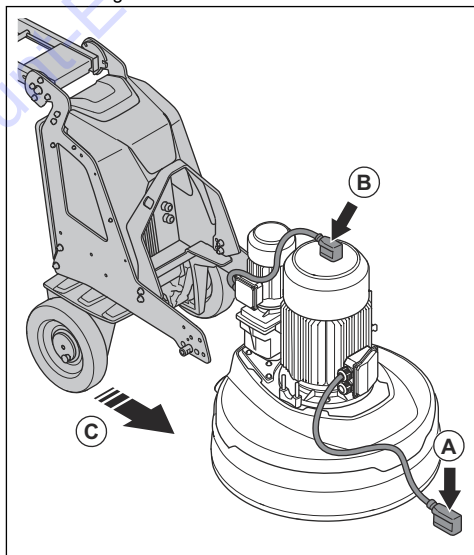
1. Reliez la télécommande au produit à l'aide du câble de bus CAN. Reportez-vous à la section *Pour brancher la télécommande au produit avec un câble de bus CAN à la page 127*. L'indicateur de la batterie du produit s'allume sur l'écran de la télécommande lorsque la batterie est en charge. Reportez-vous à la section *Aperçu de l'écran à la page 104*.
2. Lorsque la batterie est complètement rechargée, l'indicateur de la batterie du produit s'éteint.
3. Débranchez le câble de bus CAN du produit.
4. Débranchez le câble de bus CAN de la télécommande.

### Installation et dépose de la tête de meulage



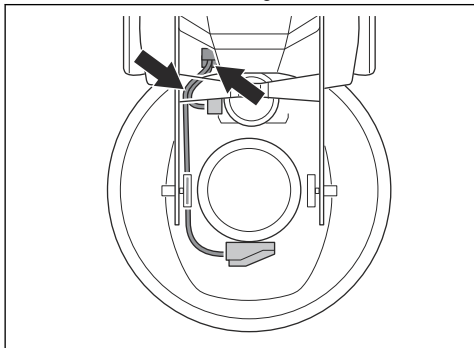
**AVERTISSEMENT:** Le châssis n'est pas équilibré lorsque la tête de meulage est déposée. Assurez-vous que le châssis ne peut pas tomber. La chute du châssis risquerait d'entraîner des blessures ou des dommages.

1. Placez le câble du moteur avant (A) devant la tête de meulage.

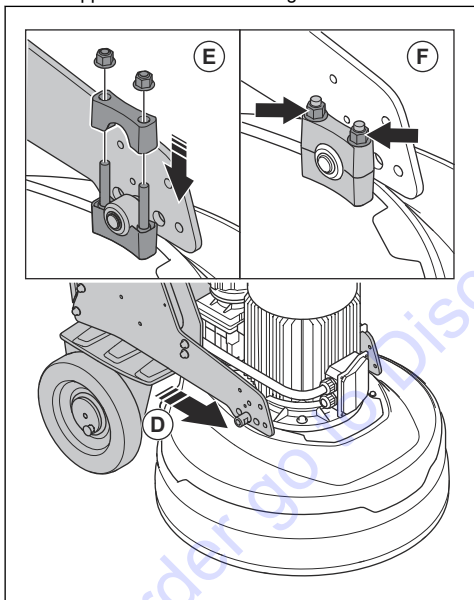


2. Placez le câble du moteur arrière (B) sur le dessus du moteur.
3. Poussez le châssis près de la tête de meulage (C).

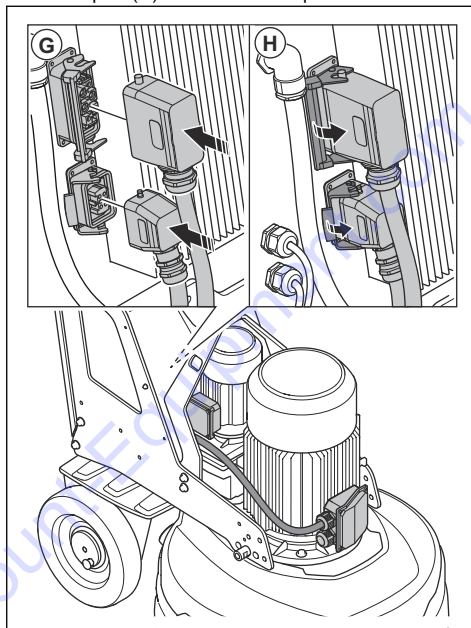
4. Faites passer les câbles des moteurs à travers la fente entre la tête de meulage et le châssis.



5. Poussez le châssis complètement contre la tête de meulage (D). Assurez-vous que le châssis est fixé au support de la tête de meulage.



6. Installez le deuxième support (E) sur le dessus du support de la tête de meulage.
7. Serrez les 2 écrous (F) de chaque côté de la tête de meulage.
8. Branchez les câbles des moteurs aux prises électriques (G) du boîtier électrique.



9. Verrouillez les câbles des moteurs en place sur les prises électriques (H) du boîtier électrique.
10. Déposez la tête de meulage en effectuant les mêmes étapes dans l'ordre inverse.

## Dépannage

Problème	Cause	Solution
Le produit ne démarre pas.	La rallonge est débranchée ou endommagée.	Branchez la rallonge ou, si nécessaire, remplacez-la.
	Un bouton d'arrêt d'urgence est actionné.	Tournez le bouton d'arrêt d'urgence sur le panneau de commande et/ou la télécommande dans le sens des aiguilles d'une montre pour le désengager.
	L'interrupteur de sécurité est ouvert dans le boîtier électrique.	Fermez l'interrupteur de sécurité pour compléter le circuit.
Difficulté à tenir le produit.	Il n'y a pas assez d'outils diamantés installés sur le produit.	Augmentez le nombre d'outils diamantés pour diminuer la charge sur le produit et sur l'utilisateur.
	Le grand moteur d'entraînement de meulage ne fonctionne pas.	Assurez-vous que le grand moteur d'entraînement de meulage est branché.
	Cela peut être dû à un défaut dans le moteur ou un défaut dans le câble du moteur.	Si le problème persiste, contactez un agent d'entretien agréé.
	La courroie est rompue.	Si la courroie est rompue, faites-la remplacer dans un centre d'entretien.  Faites tourner un des disques à meuler manuellement. Si l'ensemble des disques à meuler tourne ensemble, alors la courroie n'est pas endommagée. Si un disque à meuler tourne librement, alors la courroie est rompue.
	Seule une phase est affichée sur le produit. Le produit ne recevra pas de code d'erreur et utilisera <1 A du courant du moteur. Le ventilateur tourne lentement.	Contrôlez l'alimentation électrique.
	La capacité du produit est surchargée par la surface ou l'utilisation.	Ajustez le régime des moteurs et/ou la vitesse d'avance du produit au sol.
Le produit émet un bruit qui semble indiquer une trop grande augmentation de la vitesse.	Le petit moteur d'entraînement de meulage n'est pas branché.	Assurez-vous que le petit moteur d'entraînement de meulage est branché.
	Le petit moteur d'entraînement de meulage ne fonctionne pas.	Assurez-vous que le petit moteur d'entraînement de meulage est branché.
	Cela peut être dû à un défaut dans le moteur ou un défaut dans le câble du moteur.	Si le problème persiste, contactez un agent d'entretien agréé.
	La surface est trop épaisse ou la configuration des outils diamantés est incorrecte.	Abaissez légèrement le guidon pour soulever la tête de meulage de la surface lorsque vous mettez le produit en marche.

Problème	Cause	Solution
Le produit crée des rayures irrégulières.	Les outils diamantés sont mal fixés ou fixés à des hauteurs différentes sur les disques à meuler.	Assurez-vous que tous les outils diamantés sont correctement installés et que tous sont à la même hauteur.
	Les outils diamantés sont de types mixtes.	Vérifiez que tous les segments ont le même grain et le même liant diamantés. Si les segments en diamant sont rugueux, espacez-les de manière égale. Utilisez le produit sur une surface abrasive jusqu'à ce que tous les segments aient la même hauteur.
	Les vis sont desserrées ou manquantes.	Assurez-vous que toutes les vis sont en position et bien serrées.
	Les outils en résine sont mélangés ou présentent une contamination indésirable.	Assurez-vous que tous les outils en résine ont le même grain et le même liant diamantés et qu'ils ne présentent aucune contamination. Pour nettoyer les outils en résine, utilisez-les pendant une courte durée sur une surface légèrement abrasive.
	Les disques à meuler sont usés ou endommagés.	Vérifiez que les disques à meuler ne sont pas cassés ou qu'ils ne bougent pas trop.
Le produit effectue des mouvements soudains et indésirables.	Les disques à meuler sont usés ou endommagés.	Vérifiez que les disques à meuler ne présentent pas de parties endommagées et qu'ils n'effectuent pas de mouvements excessifs.
	Les outils diamantés sont mal fixés ou fixés à des hauteurs différentes sur les disques à meuler.	Assurez-vous que tous les outils diamantés sont correctement installés et que tous sont à la même hauteur.
	Les vis sont desserrées ou manquantes.	Assurez-vous que toutes les vis sont en position et bien serrées.
Le disjoncteur interne se déclenche.	Charge trop importante ou alimentation électrique insuffisante.	Contrôlez l'alimentation électrique.
		Diminuez la pression de meulage, augmentez le nombre d'outils diamantés ou augmentez la dureté du liant.
L'écran affiche l'un des menus principaux pendant que le produit est en marche.	Interférences au niveau de la communication radio entre la télécommande et le produit.	Changez le canal radio.
La connexion Bluetooth® à basse consommation (BLE) n'est pas activée sur le produit.	Alimentation électrique absente.	Branchez le produit à une source d'alimentation.
	Le bloc d'alimentation du module BLE est en position Arrêt.	Assurez-vous que l'interrupteur du bloc d'alimentation est en position Marche.
	La batterie du module BLE est déchargée.	Contactez un agent d'entretien agréé.
	L'antenne ou le branchement de l'antenne est endommagé(e).	Contactez un agent d'entretien agréé.

## Messages d'erreur et d'avertissement sur la télécommande

Lorsque le produit s'arrête et que l'écran affiche un message d'erreur et un code d'erreur, cela traduit

l'existence d'un défaut. Si les messages concernent les moteurs de traction ou la batterie, le produit ne peut être utilisé qu'en mode manuel. Contactez alors un agent d'entretien agréé. Pour continuer à utiliser le produit, le défaut doit être corrigé. Une fois le défaut corrigé,

assurez-vous que l'interrupteur STOP/RUN de la télécommande est réglé sur STOP.

Lorsque le symbole d'avertissement s'allume sur la télécommande et que le témoin d'avertissement du produit clignote rapidement, cela traduit l'existence d'un

défaut. Pour voir le défaut, sélectionnez le menu ENTRETIEN dans le système de menus de la télécommande. Sélectionnez ensuite JOURNAL D'ERREURS pour voir le défaut et la solution possible.

Code d'erreur ou d'avertissement	Message à l'écran	Cause
0x010201	« Erreur batterie machine, contactez le service après-vente ! »	La batterie ne fonctionne pas.
0x010202		Court-circuit de la charge de la batterie.
0x010228		Le temps de charge de la batterie est écoulé.
0x01020B	« Niveau de batterie faible ! »	Le niveau de charge de la batterie est faible.
0x010240	« Erreur batterie machine, contactez le service après-vente ! »	Batterie mal branchée.
0x010115	« Surcharge traction, vérifiez que la machine n'est pas bloquée ! »	Les moteurs de traction sont en surcharge.
0x010140	« Erreur moteur traction, contactez le service après-vente si le problème persiste ! »	Les capteurs à effet Hall du moteur de traction signalent une valeur incorrecte.
0x010141	« Une ou plusieurs goupilles fendues ne sont pas insérées au niveau des roues motrices. »	Les goupilles d'arrêt ne sont pas engagées.
0x010540	« Erreur radio, contactez le service après-vente si le problème persiste ! »	Aucune connexion établie avec le produit.
0x01070D	« La mesure de la température ne fonctionne pas, contactez le service après-vente ! »	La température du produit ne peut pas être indiquée. La charge de la batterie est désactivée.
0x01070F	« Température trop élevée dans la machine ! »	La température du produit est élevée, le produit s'arrête.
0x01070E	« Température trop basse dans la machine ! »	La température du produit est basse, le produit s'arrête.
0x010740	« Erreur interne, contactez le service après-vente ! »	Aucune connexion entre les entraînements à fréquence variable et l'unité de commande de meulage.

Code d'erreur ou d'avertissement	Message à l'écran	Cause
0x010300		Erreur générale.
0x010301	« Erreur d'entraînement du disque à meuler, si le problème persiste, contactez le service après-vente ! »	Erreur interne au niveau de l'entraînement à fréquence variable.
0x010301 - 0x010376		
0x010302	« Tension d'entrée trop faible ! »	
0x010307	« Température trop élevée dans la machine ! »	
0x01030F		
0x010317	« Surcharge moteur, contactez le service après-vente si le problème persiste ! »	
0x010318		
0x010319	« Erreur d'entraînement du disque à meuler, si le problème persiste, contactez le service après-vente ! »	
0x01034A		
0x01034B	« Température trop élevée dans la machine ! »	
0x01034C		
0x01035D	« Surcharge moteur, contactez le service après-vente si le problème persiste ! »	
0x010400		Erreur générale.
0x010401 - 0x010474	« Erreur entraînement tête planétaire, contactez le service après-vente si le problème persiste ! »	Erreur interne au niveau de l'entraînement à fréquence variable.
0x010402		
0x01040F	« Température trop élevée dans la machine ! »	
0x010407		
0x01044B		
0x020228		
0x020424	« Mise à jour logiciel requise pour machine ou télécommande, contactez le service après-vente ! »	Aucune connexion entre la télécommande et le produit.
0x020441	« L'horloge s'est arrêtée ; corrigez l'erreur si nécessaire. »	L'heure affichée par l'horloge de la télécommande est incorrecte.

## Transport, entreposage et mise au rebut

### Transport



**AVERTISSEMENT:** soyez prudent lors du transport. Le produit est lourd et peut provoquer des blessures ou être endommagé en cas de chute ou de déplacement lors du transport.

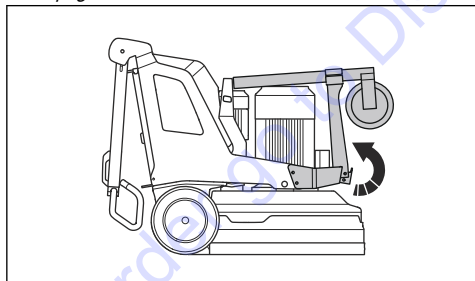


**REMARQUE:** ne remorquez pas le produit derrière un véhicule.

- Soyez prudent lorsque vous déplacez le produit manuellement ou sur des surfaces en pente. Des pentes légères peuvent causer un mouvement rapide qu'il est impossible d'arrêter à la main.
- Fixez le produit au cours du transport. Assurez-vous qu'il ne puisse pas bouger.
- Placez une protection sur le produit pendant le transport. La protection permet que le produit n'entre pas en contact avec des éléments naturels, comme la pluie et la neige.
- Utilisez toujours l'anneau de levage du produit lorsque vous soulevez le produit.
- Ne soulevez pas le produit à l'aide du guidon, du moteur, du châssis ou de toute autre pièce.
- Il est recommandé d'utiliser une palette pour le transport.
- Soulevez toujours le produit à l'aide d'un monte-charge ou d'un chariot à fourches.
- N'utilisez pas de chariot à fourches si le produit n'est pas placé sur une palette ou un chariot. Cela peut endommager les disques à meuler de la machine et d'autres composants internes.
- Lors du transport, la tête de meulage doit se trouver au sol. Pour éviter d'endommager le mécanisme de verrouillage des plaques de l'outil, laissez les plaques de l'outil en place.

## Pour régler le produit en position de transport

- Soulevez la roue de support. Reportez-vous à la section *Pour placer la roue de support dans la position pour le transport sur de courtes distances à la page 142.*



- Rabattez la poignée vers le bas. Reportez-vous à la section *Réglage de la poignée et du guidon à la page 118.*
- Si les poids sont fixés au produit, réglez-les en position vers l'avant. Reportez-vous à la section *Réglage des poids à la page 131.*
- Assurez-vous que la tête de meulage touche la surface.

## Roue de support

La roue de support soulève légèrement la tête de meulage du sol afin de faciliter le transport sur de courtes distances.

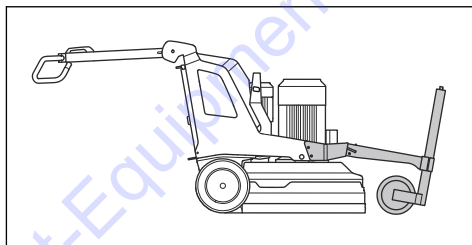


**REMARQUE:** Utilisez la roue de support uniquement pour déplacer le produit sur de courtes distances. La roue de support doit être utilisée uniquement dans la zone de travail ou pour charger et décharger le produit d'un véhicule de transport.

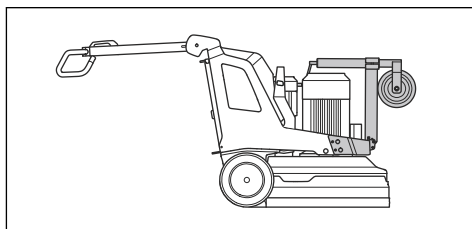


**AVERTISSEMENT:** Faites attention lors de l'installation, du retrait ou du réglage de la roue de support. Les pièces mobiles peuvent provoquer des blessures.

- Position de la roue de support pour le transport sur de courtes distances. Reportez-vous à la section *Pour placer la roue de support dans la position pour le transport sur de courtes distances à la page 142.*



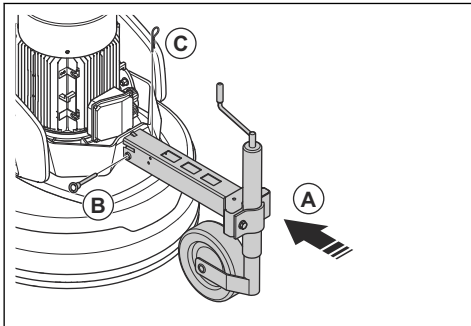
- Position de la roue de support pour l'utilisation et le transport du produit sur de longues distances. Reportez-vous à la section *Pour régler la roue de support en position de fonctionnement à la page 142.*





## Pour placer la roue de support dans la position pour le transport sur de courtes distances

1. Placez le cadre de la roue de support (A) contre le châssis du produit.

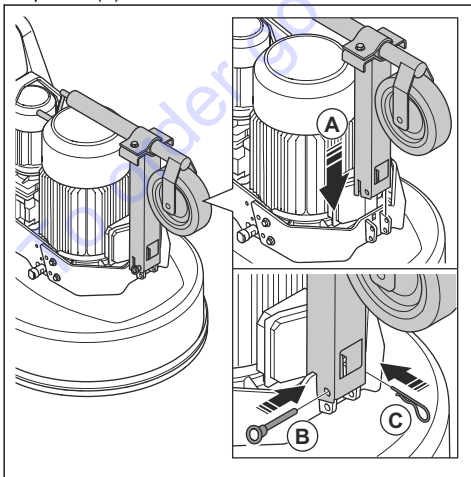


- a) Si nécessaire, desserrez la vis à l'avant du cadre de la roue de support pour desserrer la roue. Cela permet de placer le cadre de la roue de support à l'angle approprié par rapport au châssis du produit.
2. Poussez l'axe de la roue de support (B) dans la roue de support et bloquez l'axe de la roue de support à l'aide de la goupille fendue (C).
  3. Retirez la roue de support en procédant dans l'ordre inverse.

## Pour régler la roue de support en position de fonctionnement

La position de fonctionnement est également utilisée pour le transport sur de longues distances.

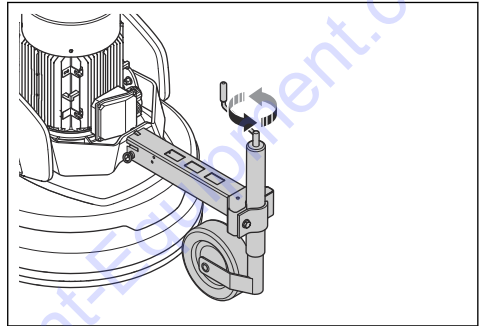
1. Placez la roue de support en position verticale.
2. Abaissez la roue de support contre le châssis du produit (A).



3. Poussez l'axe de la roue de support (B) dans la roue de support et bloquez l'axe de la roue de support à l'aide de la goupille fendue (C).
4. Retirez la roue de support en procédant dans l'ordre inverse.

## Pour régler la hauteur de la roue de support

1. Placez la roue de support dans la position pour le transport sur de courtes distances. Reportez-vous à la section *Pour placer la roue de support dans la position pour le transport sur de courtes distances à la page 142.*
2. Tournez la poignée située à l'avant de la roue de support pour soulever ou abaisser la roue.



## Pour déplacer le produit à l'aide de la roue de support

1. Placez la roue de support dans la position pour le transport sur de courtes distances. Reportez-vous à la section *Pour placer la roue de support dans la position pour le transport sur de courtes distances à la page 142.*
2. Abaissez la roue de support pour soulever la tête de meulage du sol. Reportez-vous à la section *Pour régler la hauteur de la roue de support à la page 142.*
3. Déplacez le produit en mode manuel ou télécommande.

## Montée et descente du produit avec une rampe



**AVERTISSEMENT:** Soyez très prudent lorsque vous faites monter et descendre le produit sur les rampes alors que le moteur est en marche. Le produit est lourd et il y a un risque de blessure si le produit tombe ou se déplace trop rapidement.



**AVERTISSEMENT:** Pour les rampes à pente raide, utilisez toujours un treuil. Ne marchez pas et ne restez pas sous le produit. Ne restez pas dans la zone de risque du produit. Reportez-vous à la

section *Sécurité dans l'espace de travail* à la page 108.



**AVERTISSEMENT:** Ne montez et descendez pas le produit sur une rampe si le niveau de charge de la batterie de la télécommande est faible. Une coupure de courant soudaine peut survenir sur le produit.



**AVERTISSEMENT:** Ne déplacez pas le produit dans des pentes raides. Reportez-vous à la plaque signalétique du produit pour plus d'informations sur l'angle de pente maximal.

- Pour faire descendre le produit d'une rampe, déplacez-le lentement vers l'arrière.
- Pour faire monter le produit sur une rampe, déplacez-le lentement vers l'avant.
- Ne faites pas pivoter le produit à plus de 45° sur une rampe.

## Pour lever le produit



**AVERTISSEMENT:** assurez-vous que l'équipement de levage présente la bonne spécification afin de soulever le produit en toute sécurité. La plaque signalétique du produit indique le poids du produit.



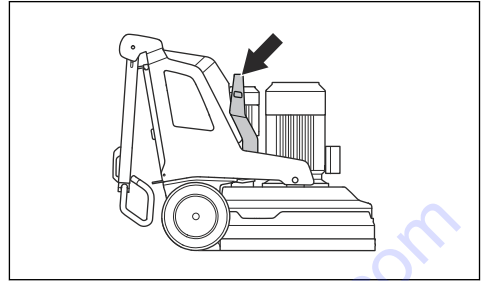
**AVERTISSEMENT:** ne marchez pas sur un produit soulevé et ne restez en dessous ou à proximité. Éloignez les personnes présentes de la zone à risque. Reportez-vous à la section *Sécurité dans l'espace de travail* à la page 108.



**AVERTISSEMENT:** ne soulevez pas un produit endommagé. Vérifiez que le boulon de levage est bien fixé et en bon état.

1. Réglez le produit en position de transport. Reportez-vous à la section *Pour régler le produit en position de transport* à la page 141.

2. Fixez l'équipement de levage au niveau de l'anneau de levage.



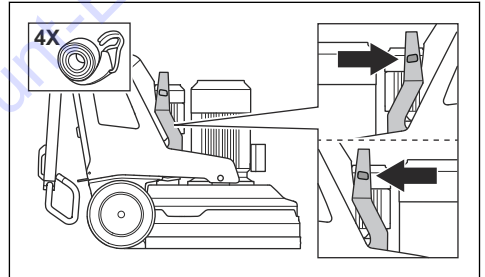
## Fixation du produit pour le transport



**REMARQUE:** N'utilisez pas la roue de support pour fixer le produit. La roue de support n'est pas suffisamment stable et risque d'être endommagée.

Le produit présente des trous permettant de faire passer des sangles d'arrimage afin de le fixer sur le véhicule de transport.

1. Fixez les sangles d'arrimage dans les trous.



2. Fixez les sangles d'arrimage sur le véhicule et serrez-les.

## Remisage



**REMARQUE:** N'entreposez pas le produit à l'extérieur. Gardez toujours le produit à l'intérieur.

- Conservez le produit dans un endroit sec et à l'abri du gel.
- Nettoyez le produit et effectuez un entretien complet avant de remisage le produit.
- Soulevez la roue de support. La tête de meulage doit être posée au sol.
- Conservez le produit dans un endroit verrouillé afin que des enfants ou personnes qui ne sont pas autorisées à l'utiliser ne puissent pas y avoir accès.
- Conservez le chargeur de batterie dans un endroit sec et à l'abri du gel.

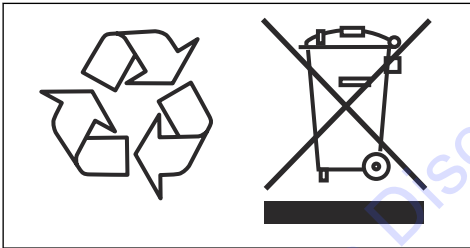
- Retirez la batterie de la télécommande lorsque le produit est entreposé pendant plus de 6 mois.
- Rechargez la batterie du produit tous les 6 mois en cas d'entreposage prolongé du produit.

## Mise au rebut

Les symboles figurant sur le produit ou son emballage indiquent que ce produit ne peut pas être traité comme un déchet domestique ordinaire. Il doit être déposé dans un site de recyclage prévu pour la récupération d'équipements électriques et électroniques.

Veillez à débrancher le produit de la prise secteur et à retirer les batteries de la télécommande avant de le remettre à un centre de recyclage approprié. Pensez à informer le centre de recyclage que le produit contient une batterie au lithium-ion. Remettez les batteries à un centre de recyclage approprié.

En prenant soin correctement de ce produit, vous contribuez à compenser l'éventuel effet négatif sur l'environnement et les personnes, qui autrement pourrait être engendré par la mauvaise gestion de la mise au rebut du produit. Pour obtenir de plus amples informations sur le recyclage de ce produit, contactez votre municipalité, votre service des ordures ménagères ou le magasin où vous avez acheté ce produit.



## Caractéristiques techniques

### Caractéristiques techniques

	<b>PG 690</b> <b>3 x 380 à 415 V.</b>	<b>PG 690 RC</b> <b>3 x 380 à 415 V.</b>	<b>PG 830</b> <b>3 x 380 à 415 V.</b>	<b>PG 830 RC</b> <b>3 x 380 à 415 V.</b>
Puissance maximale, kW/hp	12,5/17	12,5/17	16,5/22	16,5/22
Intensité nominale, A	30	30	30	30
Tension nominale, V	380-415	380-415	380-415	380-415
Phases	Triphasé	Triphasé	Triphasé	Triphasé
Fréquence, Hz	50-60	50-60	50-60	50-60
Poids kg/lb	502/1 107	598/1 318	556/1 226	652/1 437
Largeur de meulage, mm/po.	630/24,8	630/24,8	800/31,5	800/31,5
Disque à meuler, mm/po	3 x 270/10,5	3 x 270/10,5	3 x 270/10,5	3 x 270/10,5
Pression de meulage, kg/lb	228/503	242/534	288/635	302/666
Pression de meulage avec roue de support, kg/lb	265/584	279/615	325/717	339/747
Poids en position 1 (vers l'avant), kg/lb	292/644	307/677	348/767	362/798
Poids en position 1 (vers l'avant) avec roue de support, kg/lb	329/725	343/756	385/849	399/880
Poids en position 2 (vertical), kg/lb	227/500	237/522	299/659	313/690
Poids en position 2 (vertical) avec roue de support, kg/lb	264/582	273/602	336/741	350/772
Poids en position 3 (vers l'arrière), kg/lb	185/408	198/437	245/540	259/571
Poids en position 3 (vers l'arrière) avec roue de support, kg/lb	221/487	235/518	282/622	296/653
Vitesse du disque à meuler, régime min./max.	441-1 470	441-1 470	421-1 403	421-1 403
Vitesse de la tête de meulage, régime min./max.	10-57	10-57	9-47	9-47
Sens de rotation	Sens de rotation horaire/antihoraire indépendants pour les disques à meuler et la tête de meulage.			
Inclinaison max., degrés °	10	10	10	10
Boîtier, IP	54	54	54	54
Type de batterie	-	Li-ion	-	Li-ion

	PG 690 3 x 380 à 415 V.	PG 690 RC 3 x 380 à 415 V.	PG 830 3 x 380 à 415 V.	PG 830 RC 3 x 380 à 415 V.
<b>Extracteur de poussière recommandé<sup>11</sup></b>				
Fixation pour l'extracteur de poussière, mm/po	76/3	76/3	76/3	76/3
Débit d'air min., m <sup>3</sup> /h / CFM	600/353	600/353	815/480	815/480
Dépression min., kPa/psi	28/4,1	28/4,1	30/4,4	30/4,4
<b>Spectre radioélectrique de la technologie Bluetooth® à basse consommation<sup>12</sup></b>				
Bandes de fréquence de l'outil, GHz	-	2,402-2,480	-	2,402-2,480
Puissance de radiofréquence maximale transmise, dBm/mW	-	4/2,5	-	4/2,5

## Données de fréquence radio

	PG 690 RC	PG 830 RC
Puissance de radiofréquence maximale transmise, dBm	Moins de 10	Moins de 10

## Niveaux sonores

	PG 690	PG 690 RC	PG 830	PG 830 RC
<b>Émissions sonores<sup>13</sup></b>				
Niveau de puissance acoustique mesuré L <sub>W</sub> (dB(A))	93,7	93,7	95,4	95,4
<b>Niveaux sonores<sup>14</sup></b>				
Niveau de pression sonore à l'oreille des opérateurs, L <sub>p</sub> (dB(A))	77,9	77,9	78,7	78,7
<b>Niveaux de vibrations<sup>15</sup></b>				

<sup>11</sup> Les fiches techniques des extracteurs de poussière ne fournissent pas de comparaison entre les performances réelles sur la durée des différents modèles d'extracteur.

<sup>12</sup> Cette partie s'applique uniquement à un produit fourni avec connectivité intégrée.

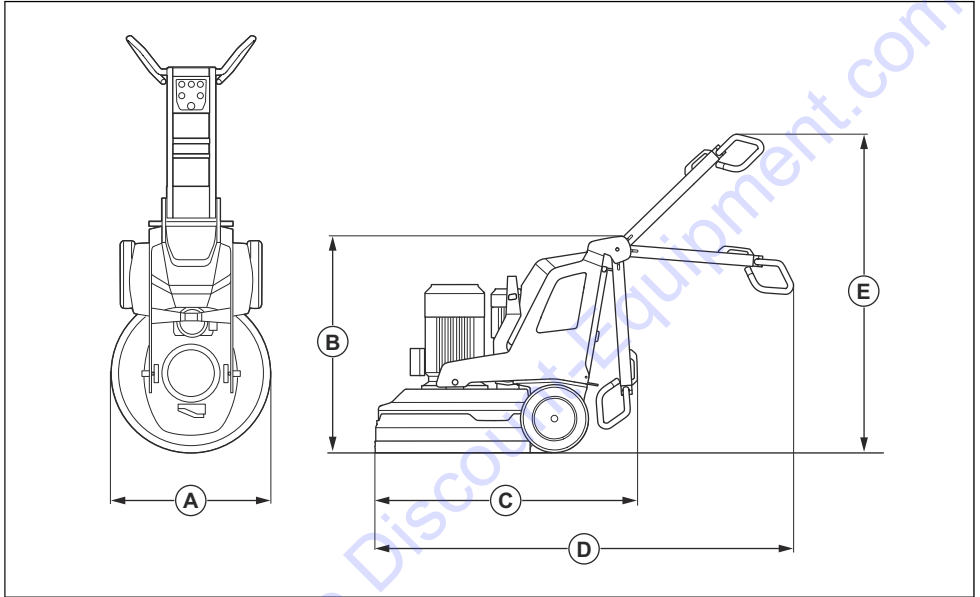
<sup>13</sup> Émissions sonores dans l'environnement mesurées en tant que puissance acoustique conformément à la norme EN 60335-2-72. Mesure d'incertitude attendue : 2,5 dB(A).

<sup>14</sup> Niveau de pression sonore conformément à la norme EN 60335-2-72. Mesure d'incertitude attendue : 4 dB(A).

<sup>15</sup> Niveau de vibrations conforme aux normes EN 60335-1 et EN 60335-2-72. Les données reportées pour le niveau de vibrations montrent une dispersion statistique type (déviations standard) de 1 m/s<sup>2</sup>. Les valeurs de vibrations sont valables pour le fonctionnement manuel.

	PG 690	PG 690 RC	PG 830	PG 830 RC
Poignée droite, m/s <sup>2</sup>	2,2	2,2	1,7	1,7
Poignée gauche, m/s <sup>2</sup>	2,1	2,1	1,5	1,5

## Dimensions du produit



		PG 690	PG 690 RC	PG 830	PG 830 RC
<b>A</b>	Largeur, mm/po.	670/26,4	670/26,4	830/32,7	830/32,7
<b>B</b>	Hauteur totale min. (poignée repliée), mm/po	1 150/45,3	1 155/45,5	1 145/45,1	1 155/45,5
<b>C</b>	Longueur totale min. (poignée repliée), mm/po	1 300/51,2	1 320/52	1 550/61	1 410/55,5
<b>D</b>	Longueur totale max. (poignée dépliée), mm/po	2 065/81,3	2 077/81,8	2 215/87,2	2 165/85,2
<b>E</b>	Hauteur totale max. (poignée dépliée), mm/po	1 755/69,1	1 715/67,5	1 700/66,9	1 715/67,5

**TO PURCHASE THIS PRODUCT PLEASE CONTACT US**



**Equipment Financing and  
Extended Warranties Available**



**Discount-Equipment.com is your online resource for  
commercial and industrial quality parts and equipment sales.**

**561-964-4949**

**visit us on line @ [www.discount-equipment.com](http://www.discount-equipment.com)**

Select an option below to find your Equipment

**Search by Manufacturer**

**Search by Product Type**

**Request a Quote**

We sell worldwide for the brands: Genie, Terex, JLG, MultiQuip, Mikasa, Essick, Whiteman, Mayco, Toro Stone, Diamond Products, Generac Magnum, Airman, Haulotte, Barreto, Power Blanket, Nifty Lift, Atlas Copco, Chicago Pneumatic, Allmand, Miller Curber, Skyjack, Lull, Skytrak, Tsurumi, Husquvarna Target, Stow, Wacker, Sakai, Mi-T-M, Sullair, Basic, Dynapac, MBW, Weber, Bartell, Bennar Newman, Haulotte, Ditch Runner, Menegotti, Morrison, Contec, Buddy, Crown, Edco, Wyco, Bomag, Laymor, EZ Trench, Bil-Jax, F.S. Curtis, Gehl Pavers, Heli, Honda, ICS/PowerGrit, IHI, Partner, Imer, Clipper, MMD, Koshin, Rice, CH&E, General Equipment, Amida, Coleman, NAC, Gradall, Square Shooter, Kent, Stanley, Tamco, Toku, Hatz, Kohler, Robin, Wisconsin, Northrock, Oztec, Toker TK, Rol-Air, APT, Wylie, Ingersoll Rand / Doosan, Innovatech, Con X, Ammann, Mecalac, Makinex, Smith Surface Prep, Small Line, Wanco, Yanmar

---

## Déclaration de conformité CE

---

### Déclaration de conformité CE

Description	Système de polissage et de surfaçage
Marque	Husqvarna
Type/Modèle	PG 690, PG 830
Identification	Numéros de série à partir de 2019 et ultérieurs

est entièrement conforme à la réglementation et aux directives de l'UE suivantes :

Directive/Réglementation	Description
2006/42/EC	« relative aux machines »

et que les normes harmonisées et/ou les spécifications techniques sont appliquées comme suit :

EN ISO 12100:2010

EN 60335-1:2012/A11:2014/AC:2014

EN 60335-2-72:2012

Partille, 2019-10-17



---

## Déclaration de conformité CE

---

### Déclaration de conformité CE

Description	Système de polissage et de surfacage
Marque	Husqvarna
Type/Modèle	PG 690 RC, PG 830 RC
Identification	Numéros de série à partir de 2019 et ultérieurs

est entièrement conforme à la réglementation et aux directives de l'UE suivantes :

Directive/Réglementation	Description
2006/42/EC	« relative aux machines »
2014/53/EU	« relative aux équipements radio »

et que les normes harmonisées et/ou les spécifications techniques sont appliquées comme suit :

EN ISO 12100:2010

EN 60335-1:2012/A11:2014/AC:2014

EN 60335-2-72:2012

EN IEC 61000-6-2:2019

EN 61000-6-4:2007+A1:2011

ETSI EN 301 489-1 V2.2.0

ETSI EN 301 489-17 V3.2.0

ETSI EN 300 328 V2.1.1

Partille, 2019-10-17

## Inhoud

Inleiding.....	150	Probleemoplossing.....	185
Veiligheid.....	156	Vervoer, opslag en verwerking.....	189
Werking.....	163	Technische gegevens.....	193
Onderhoud.....	180	EG verklaring van overeenstemming.....	196

## Inleiding

### Productbeschrijving

Het product is een vloerslijpmachine voor oppervlakken van verschillende hardheid.

De modellen PG 690 RC, PG 830 RC kunnen met een afstandsbediening worden bediend.

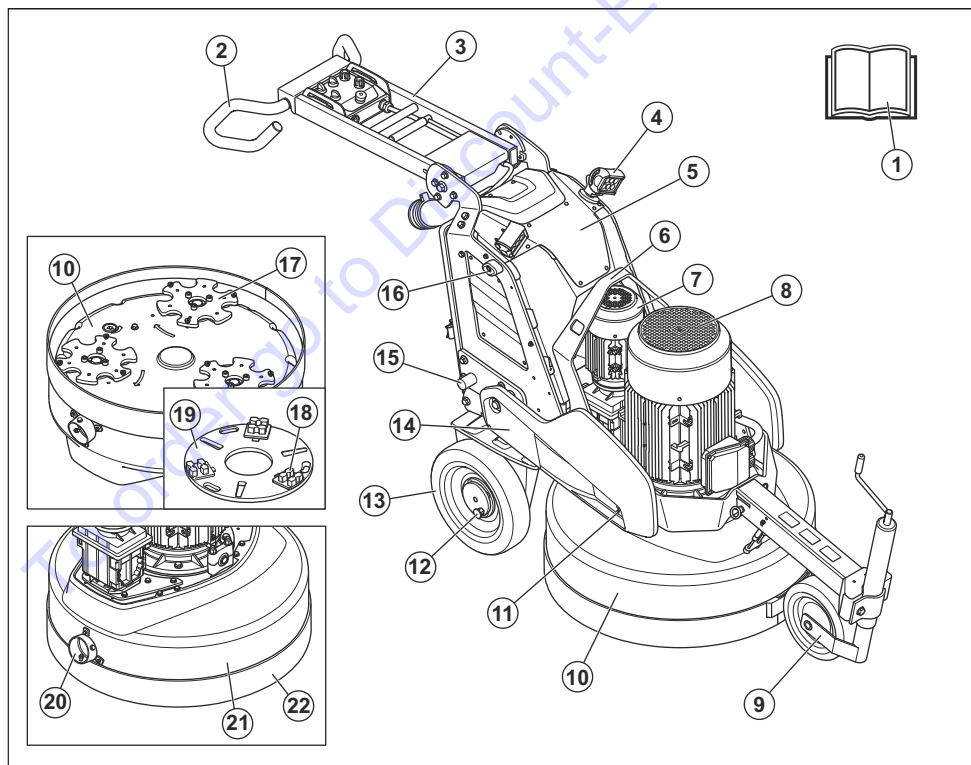
### Gebruik

Het product wordt gebruikt voor het slijpen van oppervlakken van materialen met verschillende

hardheid, zoals natuursteen, terazzo en beton. Het product kan ook worden gebruikt voor het slijpen van dekmaterialen zoals epoxy en lijm. De afwerking van het oppervlak kan ruw of glad zijn. Het product kan worden gebruikt voor zowel droog als nat slijpen. Gebruik het product niet voor andere taken.

Het product wordt voor commerciële toepassingen gebruikt door professionele gebruikers.

### Productoverzicht, rechterzijde

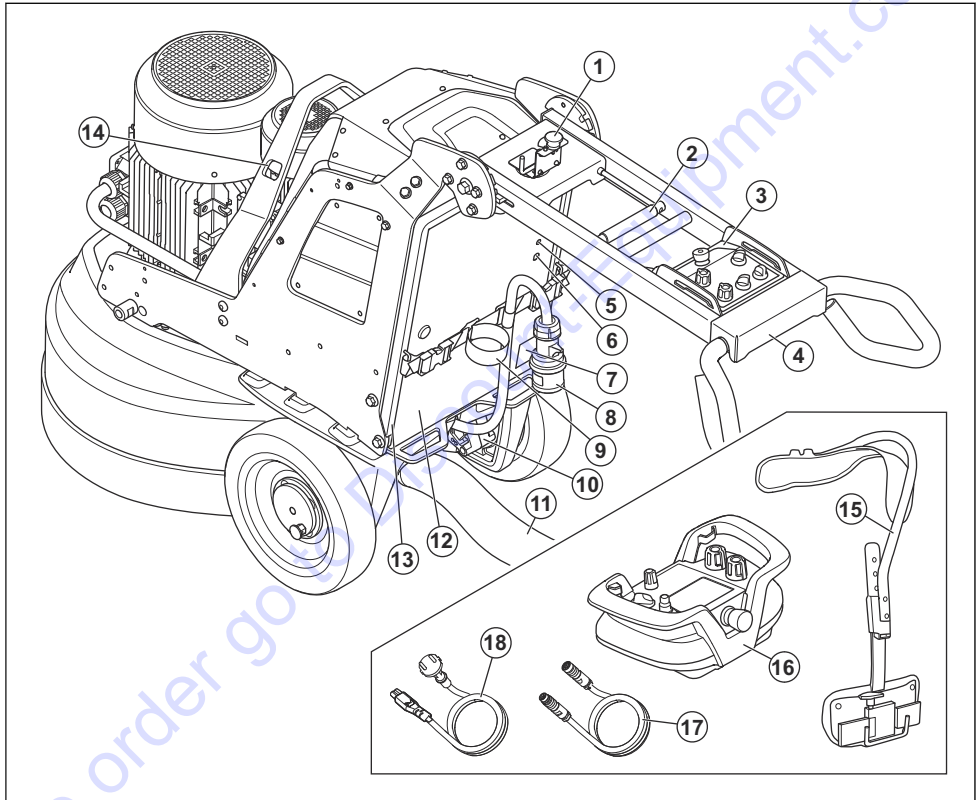


1. Bedieningshandleiding

2. Handgreep

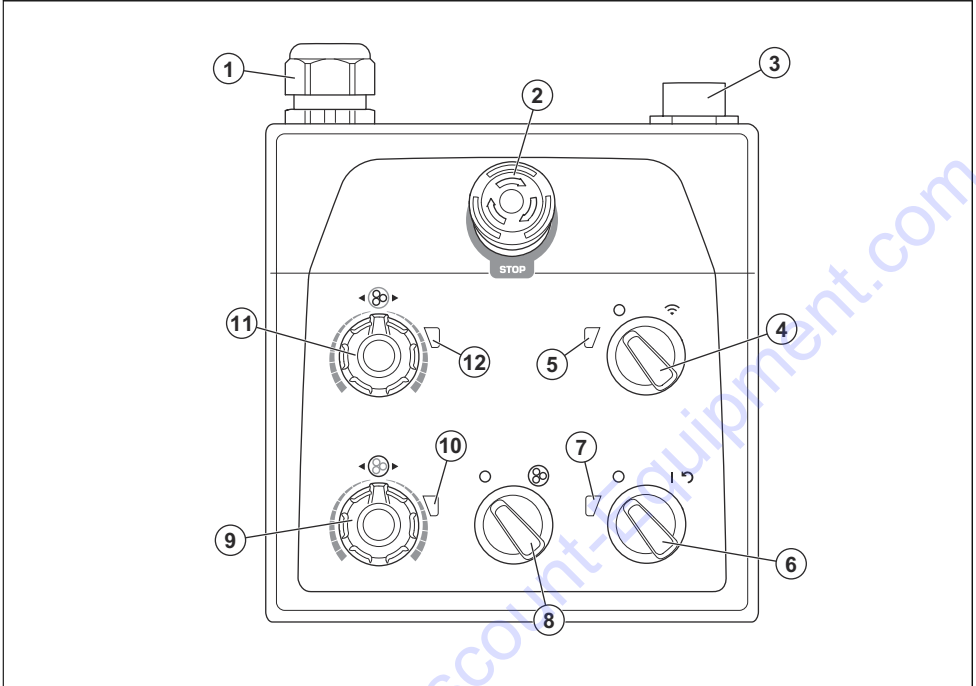
- |                           |                                     |
|---------------------------|-------------------------------------|
| 3. Hendel                 | 13. Wiel                            |
| 4. Koplamp (accessoire)   | 14. Gewichten (accessoire)          |
| 5. Controlekast           | 15. Gewichtshouder                  |
| 6. Hijssoog               | 16. Gewichtssteen                   |
| 7. Motor van slijpkop     | 17. Slijpschijf                     |
| 8. Motor van schuurplaat  | 18. Diamantgereedschap (accessoire) |
| 9. Steunwiel              | 19. Schijfplaat                     |
| 10. Slijpkop              | 20. Aansluiting voor stofzuiger     |
| 11. Gewichtsvergrendeling | 21. Kap                             |
| 12. Borgpen voor wiel     | 22. Stofmantel                      |

## Productoverzicht, linkzijdige



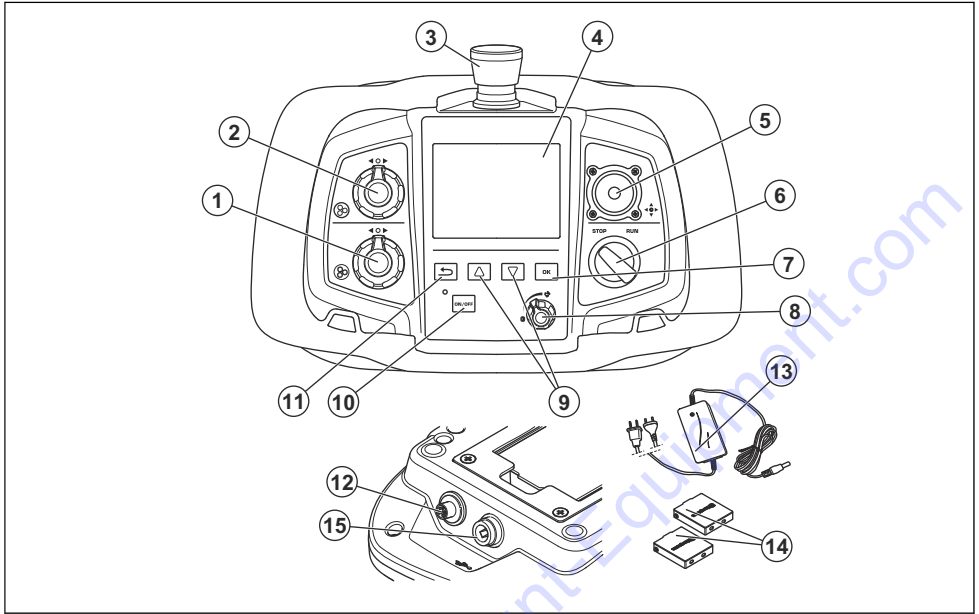
- |   |  |
|---|--|
| 1. PG 690 RC, PG 830 RC: Afstandbedieningshouder          | 9. Ophangvoorziening voor stofzuigslang en voedingskabel   |
| 2. Vergrendelingshendel voor hendelverstelling            | 10. Wielmotor  |
| 3. Bedieningspaneel                                       | 11. Aansluiting voor stofzuiger                            |
| 4. Schroeven voor handgreepverstelling                    | 12. Klep van regelkastje                                   |
| 5. Aansluiting voor acculader                             | 13. Steunframe   |
| 6. PG 690 RC, PG 830 RC: Aansluiting voor de CAN-buskabel | 14. Gaten voor spanbanden                                  |
| 7. Productplaatje   | 15. PG 690 RC, PG 830 RC: Draagstel voor afstandsbediening |
| 8. Snoer  | 16. PG 690 RC, PG 830 RC: Afstandsbediening                |

## Overzicht bedieningspaneel



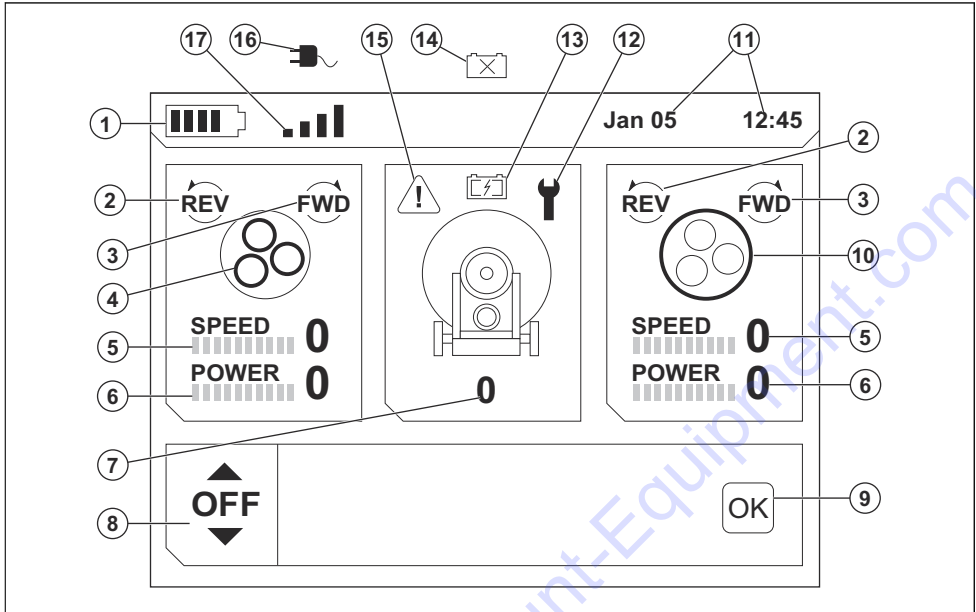
- |   |  |
|---|--|
| 1. Kabelaansluiting   | 7. Indicator voor de spanning en laadstatus van de accu    |
| 2. Noodstopknop   | 8. STOP/RUN-schakelaar                                     |
| 3. USB-oplader  | 9. Knop voor draairichting en snelheid van de schuurschijf |
| 4. PG 690 RC, PG 830 RC: Keuzeschakelaar voor werking met afstandsbediening of met handmatige bediening | 10. Indicator voor slijpschijf                             |
| 5. PG 690 RC, PG 830 RC: Indicator voor de afstandsbedieningsmodus                                      | 11. Knop voor rotatierichting en toerental van de slijpkop |
| 6. AAN/UIT-schakelaar   | 12. Indicator voor slijpkop                                |

## Overzicht afstandsbediening (PG 690 RC, PG 830 RC)



1. Knop voor draairichting en snelheid van de schuurschijf
2. Knop voor rotatierichting en toerental van de slijpkop
3. Noodstopknop
4. Display
5. Joystick
6. STOP/RUN-schakelaar, slijpkop
7. OK-knop
8. Knop voor limiet toerental
9. Pijltoetsen om door de menu's te navigeren
10. AAN/UIT-knop
11. Knop om terug te gaan in de menustructuur
12. Aansluiting voor de CAN-buskabel
13. Acculader voor accu van de afstandsbediening
14. Accu van de afstandsbediening
15. Oplaadpoort voor acculader

## Overzicht display



1. Accuniveau-indicatie van de afstandsbediening
2. Rotatierichting linksom van betreffende slijpmachinemotor
3. Rotatierichting rechtsom van betreffende slijpmachinemotor
4. Schuur schijven
5. Toerentalindicatie van betreffende slijpmachinemotor
6. Belastingindicatie van betreffende slijpmachinemotor
7. Indicatie producttoerental
8. Menu Functies
9. OK-knop
10. Slijpkop
11. Tijd & datum
12. Indicatie onderhoud
13. Indicatie productaccu: de accu wordt opgeladen
14. Indicatie productaccu: de accu ontbreekt of is beschadigd
15. Waarschuwing lampje. Zie *Foutmeldingen en waarschuwingsberichten op de afstandsbediening op pagina 187*.
16. De afstandsbediening wordt bediend met een aangesloten CAN-buskabel
17. De afstandsbediening wordt bediend via radiocommunicatie zonder dat er een CAN-buskabel is aangesloten

## Symbolen op het product



**WAARSCHUWING:** Dit product kan gevaarlijk zijn en ernstig of fataal letsel toebrengen aan de gebruiker of anderen. Wees voorzichtig en gebruik het product op de juiste manier.



Lees de handleiding goed door en zorg dat u de instructies hebt begrepen voordat u het product gebruikt.



Gebruik gehoorbescherming, oogbescherming en ademhalingsbescherming. Zie *Persoonlijke beschermingsuitrusting op pagina 158*.



Het stof kan gezondheidsproblemen veroorzaken. Gebruik goedgekeurde ademhalingsbescherming. Zorg voor goede ventilatie.



Til het product altijd op aan het hijs oog.



Gebruik de gaten voor spanbanden om het product aan een transportvoertuig te bevestigen.



Dubbele isolatie, accu en acculader.



Gebruik en bewaar de acculader uitsluitend binnen.



Het product is geen huishoudelijk afval. Lever het in bij een erkende verwijderingslocatie voor elektrische en elektronische apparatuur.



Dit product voldoet aan de geldende EU-richtlijnen.

**Let op:** Overige op het product aangebrachte symbolen/plaatjes verwijzen naar specifieke eisen aan certificering voor bepaalde markten.

## Symbolen op het bedieningspaneel en op de afstandsbediening



Noodstop.



Werking met afstandsbediening ingeschakeld.



Product ingeschakeld en product resetten.



Slijpkop ingeschakeld.



Toerental en rotatierichting van de slijpkop.



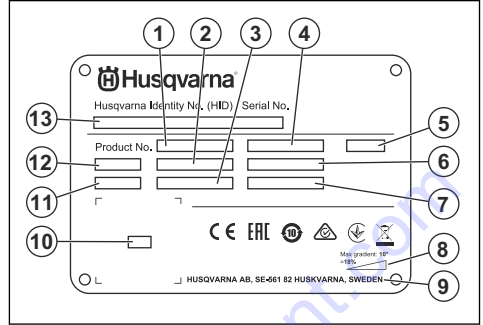
Toerental en rotatierichting van de slijpschijf.



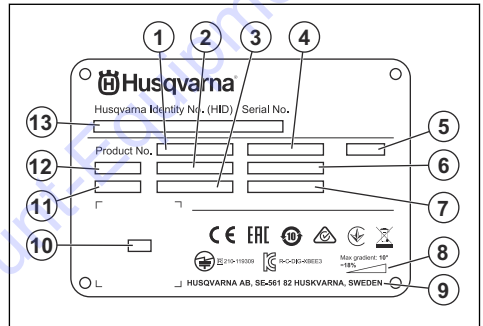
Maximaal toerental.

## Productplaatje

PG 690, PG 830:



PG 690 RC, PG 830 RC:



1. Productnummer
2. Gewicht van het product
3. Nominaal vermogen
4. Nominale spanning
5. Behuizing
6. Nominale stroom
7. Frequentie
8. Maximale hellingshoek
9. Fabrikant
10. Scanbare code
11. Bouwjaar
12. Model
13. Serienummer

## Productaansprakelijkheid

Zoals uiteengezet in de wet voor productaansprakelijkheid zijn wij niet aansprakelijk voor schade die door ons product wordt veroorzaakt, indien:

- het product niet goed is gerepareerd.
- het product is gerepareerd met onderdelen die niet van de fabrikant afkomstig zijn, of onderdelen die niet zijn goedgekeurd door de fabrikant.

- het product een accessoire bevat dat niet afkomstig is van de fabrikant of niet is goedgekeurd door de fabrikant.
- het product niet is gerepareerd door een erkend servicepunt of door een erkende autoriteit.

## Husqvarna Fleet Services™

Husqvarna Fleet Services™ is een cloudoplossing die de gebruiker een overzicht geeft van alle verbonden producten. Dit product heeft een Husqvarna Fleet Services™-sensor met Bluetooth® Low Energy (BLE). De Husqvarna Fleet Services™-sensor verzamelt gegevens over het product en maakt verbinding met het Husqvarna Fleet Services™-systeem mogelijk. Het Husqvarna Fleet Services™-systeem meldt gegevens zoals gebruikstijd, onderhoudsintervallen en locatie van het product. De BLE-technologie werkt op 2,400-2,4835 GHz.

Voor meer informatie over Husqvarna Fleet Services™: download de Husqvarna Fleet Services™-app of neem contact op met uw Husqvarna-vertegenwoordiger.

## Bluetooth® Low Energy-module (BLE)

Op erkende markten heeft het product een BLE-module die is aangesloten op het Husqvarna Fleet Services™-systeem. De BLE-module verzamelt en verzendt productgegevens die in het Husqvarna Fleet Services™-systeem worden gebruikt. Gegevens zoals gebruikstijd, onderhoudsintervallen en locatie van het product.

## Geïntegreerde connectiviteit instellen

1. Download de Husqvarna Fleet Services™-app op een mobiel apparaat.
2. Sluit het product aan op een stroombron om de BLE-module in werking te stellen.
3. Voeg het product toe aan uw account. Gebruik de Husqvarna Fleet Services™-app.
4. Volg de instructies in de Husqvarna Fleet Services™-app.

**Let op:** Het door Fleet ingeschakelde mobiele apparaat moet zich in de buurt van het product bevinden om verbinding te kunnen maken.

**Let op:** De Bluetooth®-radiotransmissie wordt ingeschakeld bij de eerste aansluiting op de stroombron en blijft daarna ingeschakeld.

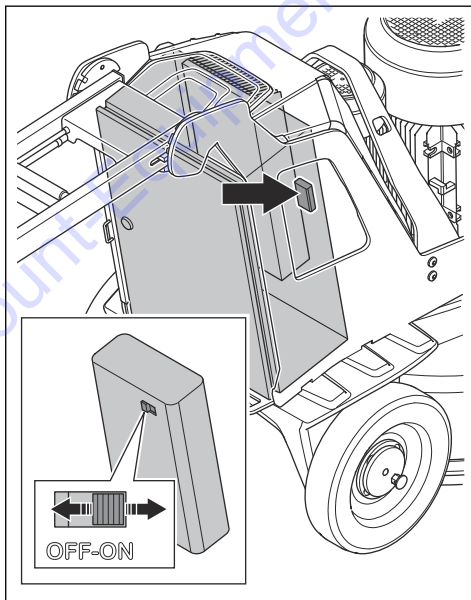


**WAARSCHUWING:** Hoogspanning. Er bevinden zich onbeschermde onderdelen in de voedingseenheid. Haal altijd de stekker uit het stopcontact voordat u de deur van het regelkastje opent.

## Het product in de vliegtuigmodus zetten

Wanneer het product in de vliegtuigmodus staat, stopt de BLE-module met het verzenden van productgegevens.

- Duw de schakelaar van het accupack in de OFF-stand.



## Veiligheid

### Veiligheidsdefinities

Waarschuwingen, voorzorgsmaatregelen en opmerkingen worden gebruikt om te wijzen op belangrijke delen van de handleiding.



**WAARSCHUWING:** Wordt gebruikt om te wijzen op de kans op ernstig of fataal letsel voor de gebruiker of omstanders wanneer de instructies in de handleiding niet worden gevolgd.





**OPGELET:** Wordt gebruikt indien er een risico bestaat op schade aan het product en andere eigendommen of aan de omgeving wanneer de instructies in de handleiding niet worden gevolgd.

**Let op:** Geven verdere informatie die nodig is in een bepaalde situatie.

## Algemene veiligheidsinstructies



**WAARSCHUWING:** Lees de volgende waarschuwingen voordat u het product gaat gebruiken.

- Dit product kan bij onvoorzichtig of onjuist gebruik een gevaarlijk gereedschap zijn. Dit product kan ernstig of fataal letsel toebrengen aan de gebruiker of anderen. Het is erg belangrijk dat u deze gebruiksaanwijzing leest en begrijpt voordat u dit product gaat gebruiken.
- Bewaar alle waarschuwingen en instructies.
- U dient alle toepasselijke wet- en regelgeving in acht te nemen.
- De gebruiker en de werkgever van de gebruiker dienen op te hoogte te zijn van de risico's tijdens het gebruik van het product en moeten deze voorkomen.
- Zorg ervoor dat dit product alleen wordt gebruikt door personen die de inhoud van de gebruikershandleiding hebben gelezen en begrepen.
- Gebruik het product alleen als u voorafgaand aan gebruik training hebt ontvangen. Zorg ervoor dat alle gebruikers getraind worden.
- Laat het product niet door een kind bedienen.
- Het product mag alleen worden gebruikt door goedgekeurde personen.
- De gebruiker is verantwoordelijk indien ongelukken gebeuren met andere mensen of hun eigendommen.
- Gebruik het product nooit als u moe of ziek bent, of onder invloed van alcohol, drugs of medicijnen verkeert.
- Wees altijd voorzichtig en gebruik uw gezond verstand.
- Dit product produceert tijdens bedrijf een elektromagnetisch veld. Dit veld kan onder bepaalde omstandigheden de werking van actieve of passieve medische implantaten verstoren. Om het risico op ernstig of fataal letsel te verminderen, raden we personen met een medisch implantaat aan om contact op te nemen met hun arts en de fabrikant van het medische implantaat voordat ze dit product gebruiken.
- Houd het product schoon. Zorg ervoor dat u de aanduidingen en stickers duidelijk kunt lezen.
- Gebruik het product niet als het defect is.
- Breng geen wijzigingen aan dit product aan.

- Gebruik het product niet als de mogelijkheid bestaat dat andere personen wijzigingen aan het product hebben aangebracht.

## Veiligheidsinstructies voor bediening



**WAARSCHUWING:** Lees de volgende waarschuwingen voordat u het product gaat gebruiken.

- Maak altijd gebruik van persoonlijke beschermingsmiddelen. Zie *Persoonlijke beschermingsuitrusting op pagina 158*.
- Blijf in de buurt van het product wanneer de motor is ingeschakeld.
- Haal altijd de stekker uit het stopcontact voordat u apparaat onbeheerd achterlaat.
- Trek niet aan de slang van de stofzuiger. Het product kan vallen en letsel of schade veroorzaken.
- De slijpkop moet het oppervlak raken wanneer u het product start. Dit is niet van toepassing als u de AAN/UIT-schakelaar controleert.
- Start het product niet zonder dat de stofmantel is gemonteerd. De stofmantel moet volledig zijn afgedicht tussen het product en de vloer.
- Houd uw voeten uit de buurt van de CAN-buskabel en het netsnoer om het risico op letsel door vallen te verminderen.
- Blijf uit de buurt van plekken waar het product letsel kan veroorzaken. Het product kan snel van positie veranderen en u raken.
- Zet de motoren onmiddellijk stop als het product niet correct werkt.
- Zorg ervoor dat er geen kleding, lang haar en juwelen vast komen te zitten in bewegende delen.
- Zorg ervoor dat u stabiel en veilig staat tijdens het gebruik.
- Gebruik het product alleen als u weet dat u hulp kunt krijgen indien zich een ongeval voordoet.
- Als er trillingen optreden in het product of als het geluidsniveau van het product ongewoon hoog is, dient u het product onmiddellijk te stoppen. Controleer het product op schade. Repareer schade of laat een erkende servicewerkplaats de reparatie uitvoeren.
- Overmatige blootstelling aan trillingen kan bloedvaten zenuwbeschadigingen veroorzaken bij personen met een verminderde bloedcirculatie. Consulteer een arts wanneer u symptomen heeft die wijzen op te grote blootstelling aan trillingen. Dergelijke symptomen zijn slapende vingers e.d., geen gevoel, "kriebelend" gevoel, "speldenprikken", pijn, geen of weinig kracht, huidverkleuringen of veranderingen van het huidoppervlak. Deze symptomen worden meestal waargenomen in de vingers, handen of polsen.
- Parkeer de machine niet op een helling. Als u het product op een helling moet parkeren, zorg er dan

voor dat het niet kan bewegen of vallen. Er bestaat gevaar voor letsel en schade.

- Wees extra voorzichtig bij het werken op hellingen. Dit product is zwaar en kan ernstig letsel veroorzaken als het valt.
- Werk niet met het product op steile hellingen. Kijk op het productplaatje voor informatie over de maximale hellingshoek.
- Gebruik altijd goedgekeurde accessoires. Neem voor meer informatie contact op met uw dealer.

## Persoonlijke beschermingsuitrusting



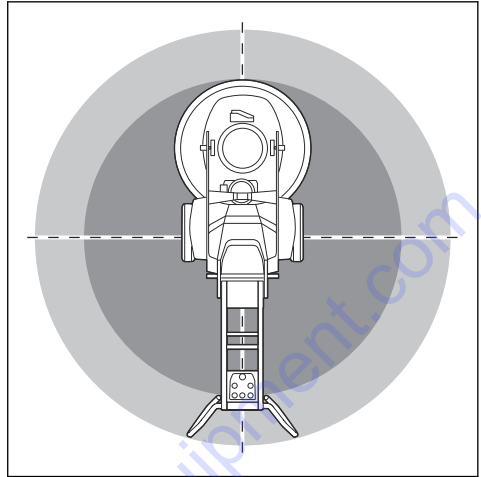
**WAARSCHUWING:** Lees de volgende waarschuwingen voordat u het product gaat gebruiken.

- Gebruik altijd de juiste persoonlijke beschermingsmiddelen wanneer u het product gebruikt. De persoonlijke beschermingsmiddelen nemen het risico op letsel niet weg. De persoonlijke beschermingsmiddelen verlagen de ernst van het letsel indien zich een ongeval voordoet. Vraag uw dealer u te helpen bij het kiezen van de juiste beschermingsmiddelen.
- Gebruik goedgekeurde oogbescherming wanneer u het product gebruikt.
- Draag geen losse, zware en ongeschikte kleding. Draag kleren waarin u zich vrij kunt bewegen.
- Draag goedgekeurde veiligheidshandschoenen voor een stevige greep.
- Draag rubberen veiligheidshandschoenen om huidirritatie als gevolg van nat beton te voorkomen.
- Draag een goedgekeurde veiligheidshelm.
- Gebruik altijd goedgekeurde gehoorbescherming wanneer u het product gebruikt. Langdurig lawaai kan gehoorverlies veroorzaken.
- Het product veroorzaakt stof en dampen die gevaarlijke chemicaliën bevatten. Gebruik goedgekeurde ademhalingsbescherming.
- Gebruik laarzen met een stalen neus en antislipzool.
- Zorg ervoor dat u een EHBO-kit bij de hand hebt.
- Er kunnen vonken optreden bij de bediening van de machine. Zorg ervoor dat u een brandblusser bij de hand hebt.

## Veiligheid van het werkgebied

- Houd omstanders tijdens het gebruik uit de buurt van het gebied dat in de onderstaande afbeelding wordt

weergegeven. De gebruiker moet tijdens het gebruik zeer voorzichtig zijn in dit gebied.



- Zorg ervoor dat er alleen goedgekeurde personen in het werkgebied zijn.
- Gebruik het product niet bij mist, regen, harde wind, koud weer, risico op blikseminslag of andere slechte weersomstandigheden. Het gebruik van het product bij slecht weer of op natte plekken kan uw alertheid negatief beïnvloeden. Slecht weer kan voor gevaarlijke werkomstandigheden zorgen.
- Kijk uit voor personen, objecten en situaties die een veilig gebruik van het product kunnen verhinderen.
- PG 690 RC, PG 830 RC: Het product kan over lange afstanden met een afstandsbediening worden bediend. Gebruik het product uitsluitend als u onbelemmerd zicht hebt op het product en het bijbehorende risicogebied. Zet het werkgebied af om letsel bij omstanders te voorkomen.
- Houd het werkgebied voldoende verlicht.
- Gebruik het product niet in gebieden waar brand of explosies kunnen optreden.

## Elektrische veiligheid



**WAARSCHUWING:** Er is altijd kans op schokken van elektrische producten. Gebruik het product niet bij slecht weer. Raak geen bliksemafleiders en metalen voorwerpen aan. Gebruik het product altijd zoals in deze bedieningshandleiding wordt beschreven om letsel te voorkomen.



**WAARSCHUWING:** Gebruik altijd een voeding met aardlekschakelaar. Een aardlekschakelaar vermindert de kans op een elektrische schok.



**WAARSCHUWING:** Hoogspanning. Er bevinden zich onbeschermdede onderdelen in de voedingsseenheid. Haal altijd de stekker uit het stopcontact voordat u de deur van het regelkastje opent.



**OPGELET:** De voeding van het product of de generator moet krachtig genoeg en constant zijn om de motor probleemloos te kunnen laten werken. Een onjuiste spanning heeft tot gevolg dat het stroomverbruik en de temperatuur van de motor toenemen totdat het veiligheidscircuit wordt geactiveerd. De afmetingen van de voedingskabel moeten overeenstemmen met de nationale en lokale voorschriften. De afmetingen van het stopcontact moeten overeenstemmen met de stroomsterkte voor het stopcontact en de verlengkabel van het product.

Als het elektriciteitsnet een hogere systeemweerstand heeft, kan er kort spanningsverlies optreden wanneer het product wordt gestart. Dit kan invloed hebben op de werking van andere producten en bijvoorbeeld flikkerende lichten veroorzaken.

- Controleer of de spanning van het elektriciteitsnet en de zekering overeenkomt met de spanning die wordt aangegeven op het productplaatje van het product.
- Stop het product altijd voordat u de stekker uit het stopcontact haalt.
- Gebruik het product niet als de voedingskabel of de stekker beschadigd is. Brengt het ter reparatie naar een erkend servicepunt. Een beschadigde voedingskabel kan ernstig letsel en de dood veroorzaken.
- Gebruik de voedingskabel op de juiste manier. Gebruik de voedingskabel niet om het product te verplaatsen, te trekken of los te koppelen. Trek aan de stekker om de voedingskabel los te koppelen. Trek niet aan de voedingskabel.
- Gebruik het product niet in water met een zodanige diepte dat het product nat wordt. De apparatuur kan beschadigd raken en het product kan onder stroom komen te staan en letsel veroorzaken.
- Zorg ervoor dat er geen ander vocht in het product komt dan water dat afkomstig is van het waterleidingnet. Stel het product niet bloot aan regen. Water dat het product binnendringt, verhoogt het risico op elektrische schokken.
- Verwijder de voedingskabel altijd voordat u de verbinding voor de motorkabel en de controlekast aansluit of loskoppelt.

#### Richtwaarden voor stroombron

Nominale spanning van stroombron, V	Min. spanning bij het product, V	Max. spanning bij het product, V	Frequentie, Hz	Nominale stroom, A	Motorvermogen	Min. kabeloppervlak mm <sup>2</sup> /AWG	Max. kabellengte m/ft
PG 690 3x220	200	240	50/60	50	11+1,5	10/7	190/620
PG 690 3 x 400/440 /480	380	480	50/60	30	11+1,5	6/9	190/620
PG 830 3x220	200	240	50/60	50	11+1,5	10/7	190/620
PG 830 3 x 400/440 /480	380	480	50/60	30	15+1,5	6/9	190/620

#### Instructies voor geaard product



**WAARSCHUWING:** Een verkeerde aansluiting kan leiden tot elektrische schokken. Raadpleeg een erkende elektricien als u niet zeker weet of het product correct geaard is.

Breng geen wijzigingen aan de stekker aan ten opzichte van de fabrieksspecificatie. Als

de stekker niet correct is voor het stopcontact, laat u een erkende elektricien een correct stopcontact installeren. Volg de lokale regel- en wetgeving.

Neem contact op met een erkende elektricien als u de instructies over het geaarde product niet volledig begrijpt.

Het product heeft een geaarde voedingskabel en een geaarde stekker. Sluit het product altijd aan op een geaard stopcontact. Dit vermindert het risico op elektrische schokken in geval van een storing.

Gebruik geen adapters in combinatie met het product.

### Verlengkabels

- Gebruik alleen goedgekeurde verlengkabels met voldoende lengte.
- De markering op de verlengkabel moet gelijk zijn aan of hoger zijn dan de waarde op het productplaatje van het product.
- Gebruik geaarde verlengkabels.
- Gebruik een verlengkabel die geschikt is voor gebruik buitenshuis wanneer u buiten werkt met het product. Dit vermindert de kans op een elektrische schok.
- Houd de aansluiting op de verlengkabel droog en zorg dat deze de grond niet raakt.
- Houd de verlengkabel uit de buurt van hitte, olie, scherpe randen en bewegende delen. Een beschadigde kabel verhoogt het risico op elektrische schokken.
- Controleer of de verlengkabel in goede staat verkeert en niet beschadigd is.
- Gebruik de verlengkabel niet in opgerolde toestand. Daardoor kan de kabel oververhit raken.
- Zorg ervoor dat de verlengkabel achter u en het product ligt wanneer u het product gebruikt. Zo voorkomt u dat de verlengkabel beschadigd raakt.

### Veiligheid bij accu's



**WAARSCHUWING:** Lees de volgende waarschuwingen voordat u het product gaat gebruiken.

- Gebruik uitsluitend de -accu's die we voor uw product aanbevelen. De accu's zijn voorzien van softwarematige encryptie.
- Gebruik uitsluitend originele accu's voor dit product. Er bestaat explosiegevaar als de accu's worden vervangen door een accu van een onjuiste type. Neem voor meer informatie contact op met uw dealer.
- Gebruik -accu's die oplaadbaar zijn uitsluitend als stroombron voor de bijbehorende producten van Husqvarna. Gebruik de accu niet als voedingsbron voor andere apparaten, om letsel te voorkomen.
- Risico van elektrische schok. Breng de accuklemmen niet in contact met sleutels, schroeven of ander metaal. Dit kan kortsluiting van de accu veroorzaken.
- Als er een accu lekt, zorg er dan voor dat de vloeistof niet in aanraking komt met uw huid of ogen. Als u in aanraking bent gekomen met de vloeistof, reinig het oppervlak dan met een ruime hoeveelheid water en raadpleeg een arts.

- Gebruik geen accu's die niet oplaadbaar zijn.
- Breng geen wijzigingen aan de accu aan.
- Plaats geen voorwerpen in de luchtspleten van de accu.
- Bescherm de accu tegen direct zonlicht, warmte of open vuur. De accu kan een explosie en brandwonden en/of chemische brandwonden veroorzaken.
- Bescherm de accu tegen regen en vocht.
- Houd de accu uit de buurt van magnetrons en hoge druk.
- Probeer de accu niet te demonteren of te slopen.
- Gebruik de accu bij temperaturen tussen -10 °C/14 °F en 40 °C/104 °F.
- Reinig de accu of acculader nooit met water. Zie *Accu en acculader reinigen op pagina 181*.
- Gebruik geen defecte of beschadigde accu.
- Sla accu's op uit de buurt van metalen voorwerpen, bijvoorbeeld spijkers, schroeven en sieraden.
- Houd de accu buiten het bereik van kinderen.

### Veiligheidsvoorzieningen op het product

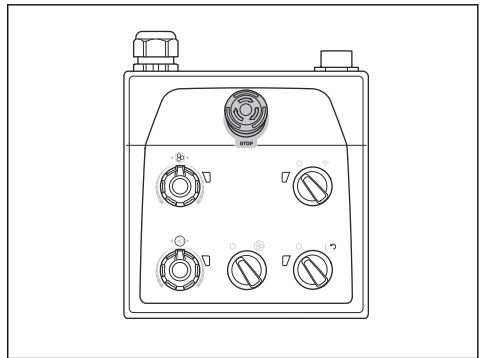


**WAARSCHUWING:** Lees de volgende waarschuwingen voordat u het product gaat gebruiken.

- Gebruik het product nooit wanneer de veiligheidsvoorzieningen defect zijn.
- Controleer de veiligheidsvoorzieningen regelmatig op een juiste werking. Als de veiligheidsvoorzieningen defect zijn, neem dan contact op met uw Husqvarna servicewerkplaats.

### Noodstopknop op het bedieningspaneel

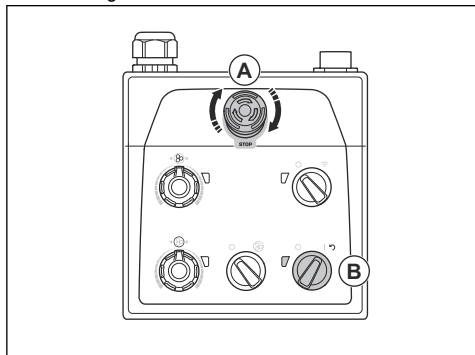
De noodstopknop wordt gebruikt om de motor snel te stoppen. De noodstopknop schakelt de netvoeding uit.



**OPGELET:** Gebruik de noodstopknop op het bedieningspaneel niet als stopknop voor het product.

### De noodstopknop op het bedieningspaneel controleren

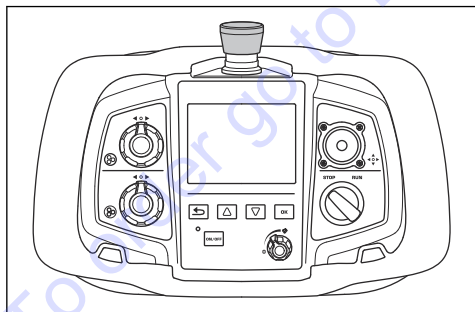
1. Draai de noodstopknop (A) op het bedieningspaneel rechtsom om ervoor te zorgen dat de noodstopknop wordt uitgeschakeld.



2. Zet de AAN/UIT-schakelaar (B) op het bedieningspaneel op 1 om de motor te starten. De led naast de AAN/UIT-schakelaar gaat branden.
3. Druk op de noodstopknop op het bedieningspaneel.
4. Controleer of de led naast de AAN/UIT-schakelaar uit gaat.
5. Draai de noodstopknop op het bedieningspaneel rechtsom om deze uit te schakelen.

### Noodstopknop op de afstandsbediening

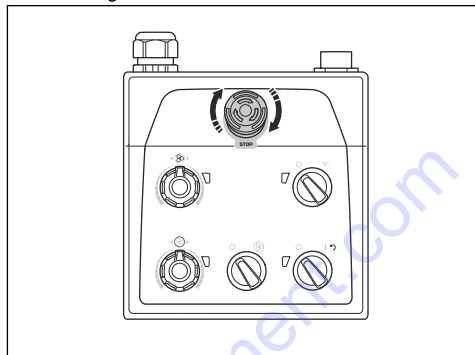
De noodstopknop wordt gebruikt om de motor snel te stoppen. De noodstopknop schakelt de netvoeding uit. De noodstopknop op de afstandsbediening kan niet worden gebruikt wanneer het product handmatig wordt bediend.



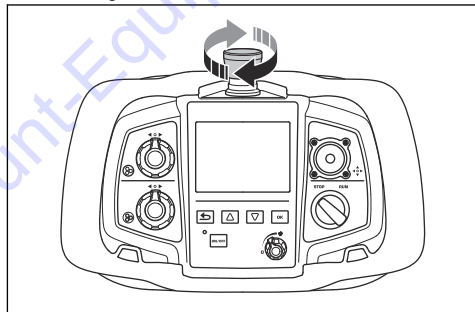
**OPGELET:** Gebruik de noodstopknop op de afstandsbediening niet als stopknop voor het product.

### De noodstopknop op de afstandsbediening controleren

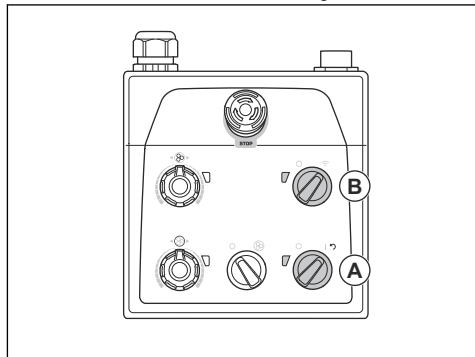
1. Draai de noodstopknop op het bedieningspaneel rechtsom om ervoor te zorgen dat de noodstopknop wordt uitgeschakeld.



2. Draai de noodstopknop op de afstandsbediening rechtsom om ervoor te zorgen dat de noodstopknop wordt uitgeschakeld.

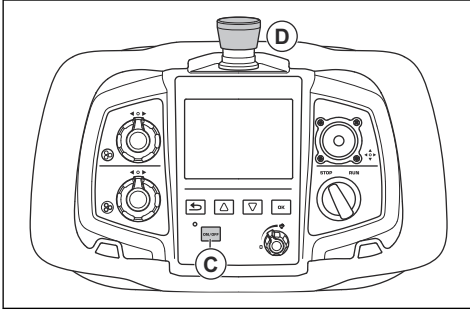


3. Zet de AAN/UIT-schakelaar (A) op het bedieningspaneel op 1 om de motor te starten. De led naast de AAN/UIT-schakelaar gaat branden.



4. Draai de schakelaar voor afstandsbediening/handmatige bediening (B) op het bedieningspaneel rechtsom voor gebruik van de afstandsbediening. De led naast de schakelaar voor afstandsbediening/handmatige bediening knippert.

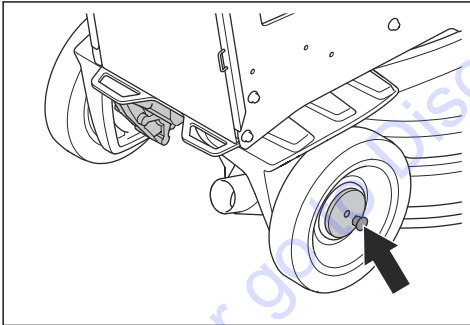
5. Druk op de AAN/UIT-knop (C) op de afstandsbediening. De afstandsbediening is ingeschakeld wanneer het display aan gaat.



6. Druk op de noodstopknop (D) op de afstandsbediening.
7. Controleer of de led naast de AAN/UIT-schakelaar op het bedieningspaneel uit gaat.
8. Draai de noodstopknop op de afstandsbediening rechtsom om deze uit te schakelen.

### Borgpennen voor de wielen

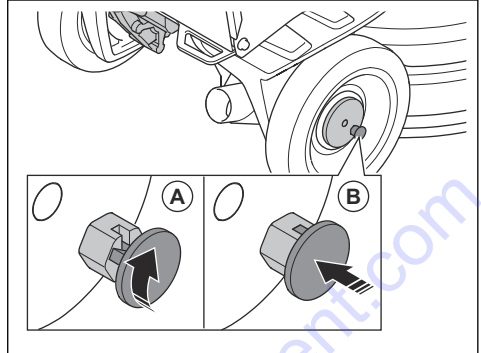
De borgpennen vergrendelen de wielen aan de motor wanneer het product met de afstandsbediening wordt bediend.



### De borgpennen voor de wielen controleren

1. Controleer of de borgpennen niet aangrijpen.
2. Duw het product iets naar voren en voel de weerstand.

3. Draai de borgpennen (A) totdat de pen van de borgpen op één lijn ligt met de inkeping. Doe dit bij het linker- en rechterwiel.



4. Start het product. De borgpennen gaan naar de vergrendelstand (B) en vergrendelen de wielmotoren.
5. Duw het product iets naar voren en voel de weerstand. Als de borgpennen goed aangrijpen, is er meer weerstand dan wanneer de borgpennen niet aangrijpen.

**Let op:** Voor gebruik van de afstandsbediening verschijnt er een foutmelding op het display van de afstandsbediening als de borgpennen niet correct aangrijpen.

6. U maakt de borgpennen los door de borgpennen recht naar buiten te trekken en rechtsom of linksom te draaien.

### Veiligheidsinstructies voor onderhoud

- Zorg ervoor dat alle onderdelen in een goede staat blijven en controleer of alle fittingen goed vastzitten.
- Gebruik geen product dat defect is. Voer de in deze handleiding beschreven veiligheidscontroles en onderhouds- en servicetaken uit. Alle overige onderhoudswerkzaamheden moeten worden uitgevoerd door een erkende servicewerkplaats.
- Stop het product wanneer u de diamantschijven vervangt. Zet de AAN/UIT-schakelaar op 0 en druk op de noodstopknop.
- Voer de inspectie en/of het onderhoud uit terwijl de motor is gestopt en de stekker is verwijderd.
- Controleer het product regelmatig om een goede werking te waarborgen. Zie *Onderhoudsschema op pagina 181*.

# Werking

## Inleiding



**WAARSCHUWING:** Voordat u het product gaat gebruiken, dient u het hoofdstuk over veiligheid te lezen en hebben begrepen.

## Het product uit de verpakking verwijderen



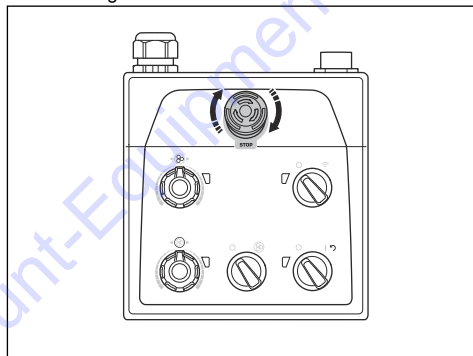
**WAARSCHUWING:** Haal het product voorzichtig en veilig van de pallet. Dit product is zwaar en kan ernstig letsel veroorzaken als het valt.

- Controleer of alle in het productoverzicht weergegeven items aanwezig zijn. Zie *Productoverzicht, rechterzijde op pagina 150*. Neem contact op met uw Husqvarna-dealer als een item ontbreekt of beschadigd is voordat u het product van de pallet haalt.
- Verwijder alle verpakkingsbanden en wielblokken.
- Zorg ervoor dat het gebied vrij is en dat u voldoende ruimte hebt om het product te verplaatsen.
- Zorg ervoor dat er geen risico bestaat dat u of het product kan vallen.
- Gebruik hijsapparatuur of hellingbanen om het product van de pallet te halen. Het product is zwaar. Verplaats het product veilig. Zie *Het product optillen op pagina 191*.

## Voordat u het product gebruikt

1. Lees de gebruikershandleiding zorgvuldig door en zorg dat u de instructies hebt begrepen.
2. Draag de benodigde persoonlijke beschermingsmiddelen. Zie *Persoonlijke beschermingsuitrusting op pagina 158*.
3. Zorg ervoor dat er alleen goedgekeurde personen in het werkgebied zijn.
4. Voer dagelijks onderhoud uit. Zie *Onderhoudsschema op pagina 181*.
5. Controleer of het product goed gemonteerd en niet beschadigd is.
6. Plaats het product in het werkgebied. Zorg ervoor dat het vervoer van het product naar en in het werkgebied veilig en correct wordt uitgevoerd. Zie *Transport op pagina 189*.
7. Zorg ervoor dat er diamantgereedschappen op de schijfplaten zitten en dat de diamantgereedschappen en schijfplaten goed zijn bevestigd.
8. Sluit een stofzuiger aan op het product. Zie *Stofzuiger aansluiten op pagina 166*.

9. Stel de hendel en de handgreep zo af dat een geschikte werkhogte wordt bereikt. Zie *De hendel en de handgreep verstellen op pagina 167*.
10. Zorg ervoor dat de motorkabels op de controlekast zijn aangesloten voordat u het product op de netspanning aansluit. Zie *De slijpkop installeren en verwijderen op pagina 184*.
11. Sluit het product aan op een stroombron. Zie *Het product op een stroombron aansluiten op pagina 167*.
12. Draai de noodstopknop op het bedieningspaneel rechtsom om ervoor te zorgen dat de noodstopknop wordt uitgeschakeld.



13. Zorg ervoor dat u de rotatierichting van de slijpkop en slijpschijven weet wanneer u richtingsgevoelige diamantgereedschappen zoals Piranhas gebruikt.
14. PG 690 RC, PG 830 RC: als het product handmatig wordt bediend, sluit u de afstandsbediening aan op het product. De achterkant van de houder voor de afstandsbediening bevat een magneet. Zie *De afstandsbediening aan de afstandsbedieningshouder bevestigen op pagina 169*.
15. Zet het steunwiel in de werkstand. Zie *Steunwiel in de werkstand zetten op pagina 191*.

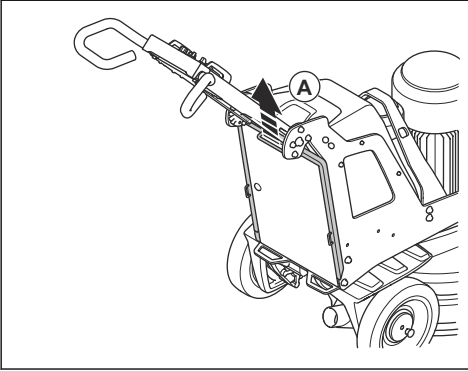
## Het steunframe uit- en inklappen

Het product heeft een steunframe dat wordt gebruikt om het product naar achteren te kantelen. Het steunframe wordt ook gebruikt als ophangstelsysteem om de stofzuigerslang en het netsnoer aan op te hangen.

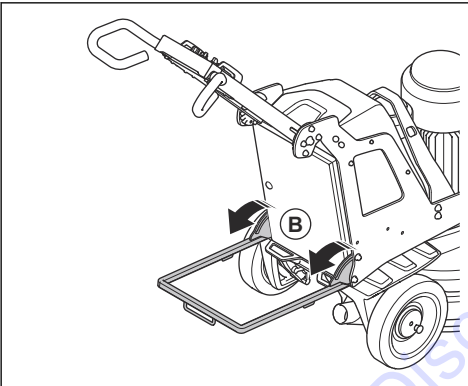


**WAARSCHUWING:** Wees voorzichtig wanneer u het steunframe verplaatst. De bewegende delen kunnen letsel veroorzaken.

1. Til het steunframe (A) een klein stukje op.



2. Laat het steunframe (B) zakken.



3. Klap het steunframe op in omgekeerde volgorde.

## Diamantgereedschappen

Er zijn vele soorten diamantgereedschappen voor het product evenals tal van configuraties. Metaalgebonden diamantgereedschappen worden gebruikt voor het verwijderen van materiaal en harsgebonden diamantgereedschappen worden gebruikt voor het polijsten van oppervlakken. Kies de juiste diamantgereedschappen voor het oppervlak.

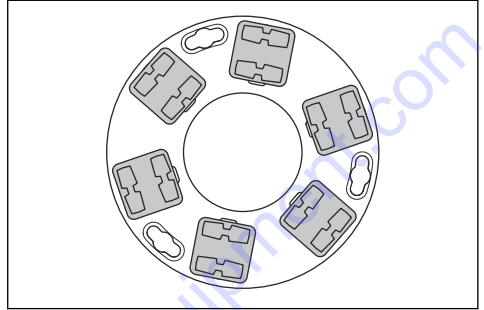
## Alternatieven voor schijfhouders voor diamantgereedschappen

- Gebruik een Redi lock-schijfhouder om metaalgebonden diamantgereedschappen te bevestigen.
- Gebruik een schijfhouder met harsbinding om kunststofgebonden diamantgereedschappen te bevestigen.

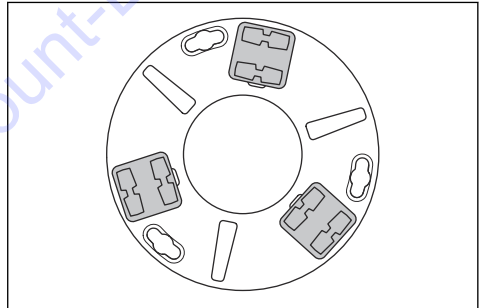
## Volledige en halve set diamantgereedschappen

De configuratie van de diamantgereedschapssegmenten heeft invloed op de eindkwaliteit van het oppervlak. De configuratie beïnvloedt ook de gebruikssnelheid van het product.

- Volledige set diamantgereedschappen: Deze configuratie zorgt voor een gladde vloerafwerking.



- Halve set diamantgereedschappen: Deze configuratie wordt gebruikt wanneer een gladde vloerafwerking niet nodig is.



## De diamantschijven vervangen



**WAARSCHUWING:** Haal altijd de stekker uit het stopcontact voordat u de diamantgereedschappen vervangt, om onbedoeld starten te voorkomen.



**WAARSCHUWING:** Gebruik veiligheidshandschoenen omdat diamantschijven zeer heet kunnen worden.



**WAARSCHUWING:** Gebruik goedgekeurde ademhalingsbescherming wanneer u de diamantgereedschappen vervangt. Het stof onder de slijpkop is schadelijk voor uw gezondheid.



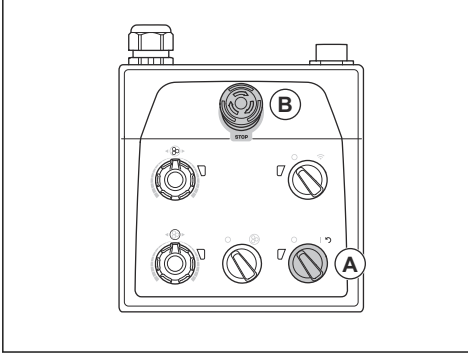


**WAARSCHUWING:** Gebruik de stofzuiger wanneer u de diamantgereedschappen vervangt. De stofzuiger vermindert stof dat gezondheidsproblemen kan veroorzaken.

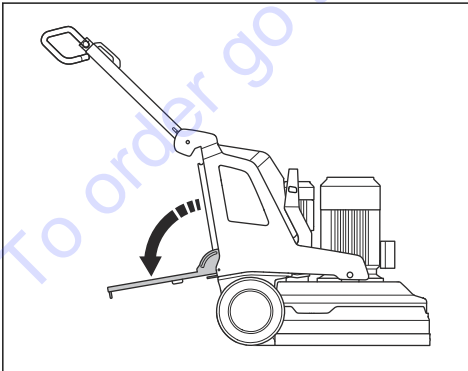


**OPGELET:** Alle slijpschijven moeten altijd hetzelfde aantal en type diamanten hebben. De hoogte van de diamanten moet op alle slijpschijven hetzelfde zijn.

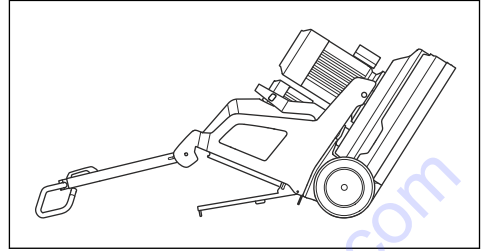
1. Zet de AAN/UIT-schakelaar (A) op het bedieningspaneel op 0. De led naast de AAN/UIT-schakelaar gaat uit.



2. Druk op de noodstopknop (B) op het bedieningspaneel.
3. Zet de hendel in de onderhoudsstand. Zie *Standen van de bedieningshendel op pagina 166*.
4. Als er gewichten zijn geïnstalleerd, verstelt u de gewichten naar de achterste positie. Zie *De gewichten verstellen op pagina 180*.
5. Klap het steunframe uit. Zie *Het steunframe uit- en inklappen op pagina 163*.

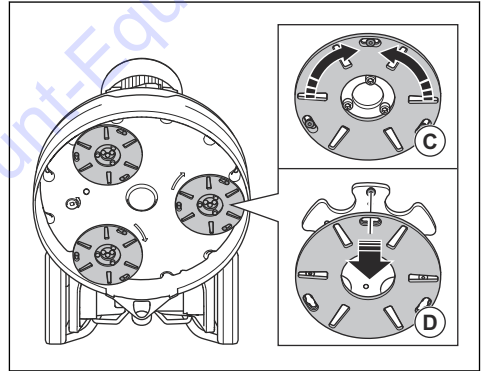


6. Houd de handgreep vast en kantel het product met één voet op het steunframe naar achteren. Kantel het product totdat de handgreep zich op de vloer bevindt.

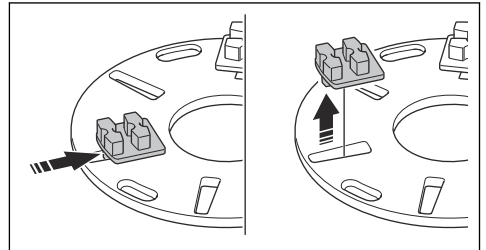


**WAARSCHUWING:** Zorg ervoor dat het product in een stabiele positie staat voordat u de diamantgereedschappen vervangt.

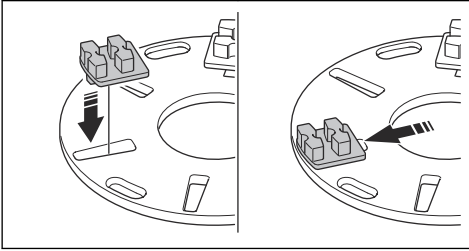
7. Draag veiligheidshandschoenen.
8. Draai de schijfplaat (C) naar rechts of naar links om de schijfplaat van de slijpschijf te ontgrendelen.



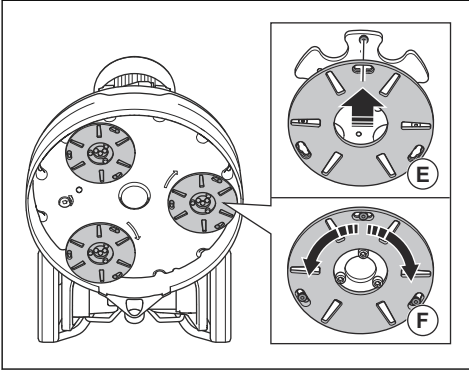
9. Trek de schijfplaat recht naar buiten (D) om de schijfplaat van de slijpschijf te verwijderen.
10. Gebruik een hamer om de diamantgereedschappen van de schijfplaat te verwijderen.



11. Bevestig nieuwe diamantgereedschappen op de schijfplaat met een zachte klop van de hamer.



12. Bevestig de schijfplaat recht (E) op de slijpschijf.



13. Draai de schijfplaat (F) naar rechts of naar links om de schijfplaat te vergrendelen op de slijpschijf.
14. Til het product voorzichtig naar de werkstand. Gebruik de handgreep en het steunframe ter ondersteuning.
15. Klap het steunframe in.

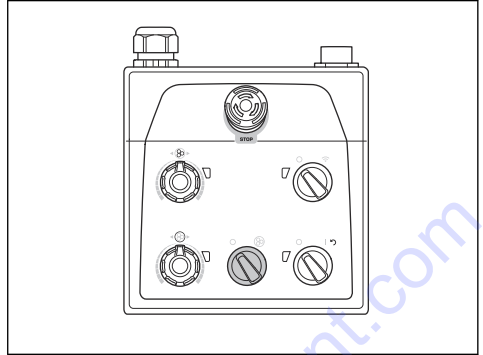
## Stofzuiger aansluiten



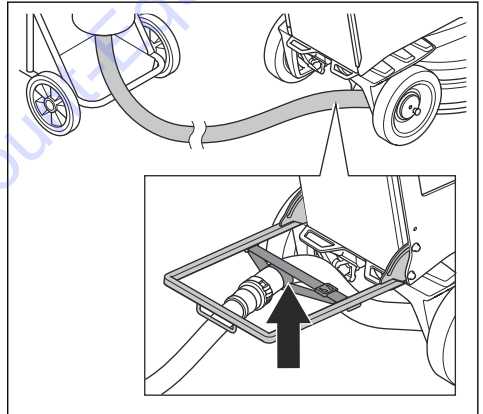
**WAARSCHUWING:** Gebruik de stofzuiger niet als de slang ervan beschadigd is. U loopt in dat geval meer risico dat u stof inademt dat schadelijk is voor uw gezondheid. Gebruik goedgekeurde ademhalingsbescherming.

1. Controleer de slang van de stofzuiger op schade.
2. Controleer of de filters in de stofzuiger schoon en onbeschadigd zijn.

3. Controleer of de STOP/RUN-schakelaar op het bedieningspaneel op 0 staat.



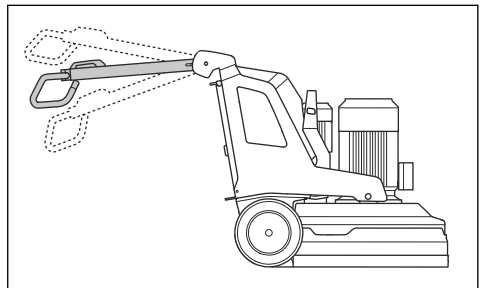
4. Sluit de slang van de stofzuiger aan op het product.
5. Klap het steunframe uit. Zie *Het steunframe uit- en inklappen op pagina 163*.
6. Hang de stofzuigerslang aan de ophanginrichting op het steunframe om spanning in de stofzuigerslang te voorkomen.



7. Klap het steunframe in.

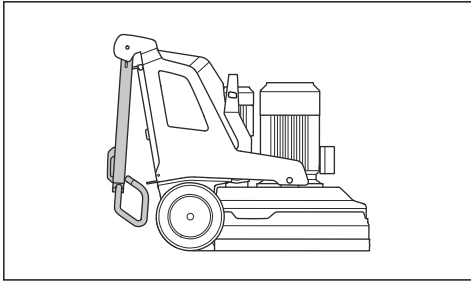
## Standen van de bedieningshendel

- Stand van de hendel voor handmatige bediening:

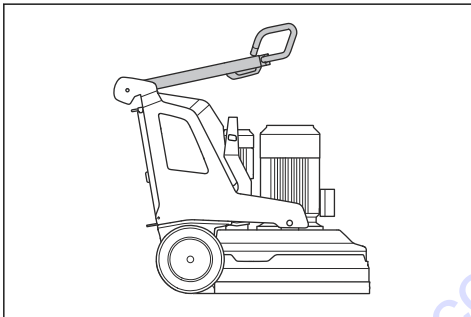


- Er zijn 2 aanbevolen standen van de hendel voor bediening met de afstandsbediening en voor transport van het product.

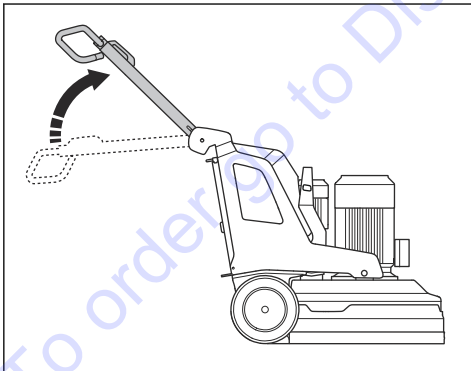
Positie 1:



Positie 2:



- Onderhoudsstand van de hendel:



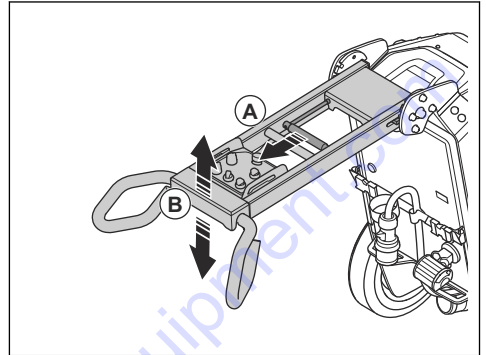
## De hendel en de handgreep verstellen



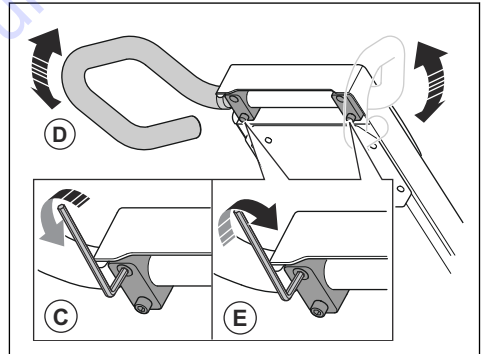
**WAARSCHUWING:** Wees voorzichtig bij het verstellen van de hendel en de handgreep. Zorg ervoor dat de hendel en de handgreep in de juiste stand zijn vergrendeld. De bewegende delen kunnen letsel veroorzaken.

Stel de hoogte van de hendel zo dicht mogelijk op de hoogte van de heup van de gebruiker in. Tijdens gebruik kan het product naar de zijkant trekken. De heup van de gebruiker kan helpen deze zijwaartse beweging te stoppen.

1. Trek de vergrendelingshendel (A) op de hendel in de richting van het bedieningspaneel en houd de vergrendelingshendel in deze stand.



2. Stel de hendel (B) zo in dat de gewenste werkhogte wordt bereikt.
3. Laat de vergrendelingshendel op de hendel los om de hendel in deze stand te vergrendelen.
4. Draai de 4 schroeven (C) op de handgreep los.

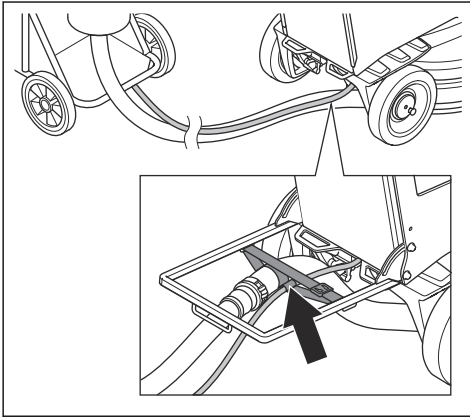


5. Stel de handgreep (D) zo af dat de gewenste werkhogte wordt bereikt.
6. Draai de 4 schroeven (E) op de handgreep vast om de handgreepstand te vergrendelen.

## Het product op een stroombron aansluiten

1. Sluit de stekker van het product aan op de verlengkabel.
2. Sluit de verlengkabel aan op een stopcontact.
3. Klap het steunframe uit. Zie *Het steunframe uit- en inklappen op pagina 163*.

4. Hang het netsnoer aan de ophanginrichting op het steunframe om spanning in het netsnoer te voorkomen.



5. Klap het steunframe in.



**OPGELET:** Als het product is aangesloten op een stofzuiger, moet de stofzuiger worden aangesloten op een driefasige stroombron.

## USB-oplader op het bedieningspaneel (PG 690 RC, PG 830 RC)

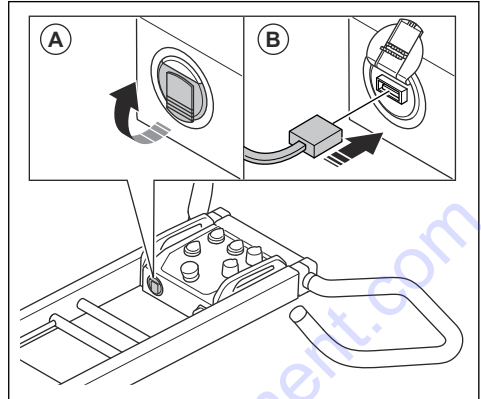
Met de USB-oplader op het bedieningspaneel kunnen mobiele apparaten worden opgeladen.

- Opladen via de USB-oplader is alleen mogelijk wanneer het product op een driefasige voeding is aangesloten.
- Het mobiele apparaat blijft opladen als het product stopt of als de noodstopknop is ingedrukt.
- Op het product is geen tijdslimiet ingesteld voor de duur van het opladen van een mobiel apparaat. Laad uw mobiele apparaat op zoals aanbevolen door de fabrikant van het mobiele apparaat.
- De USB-oplader biedt een maximaal uitgangsvermogen van 10 W.

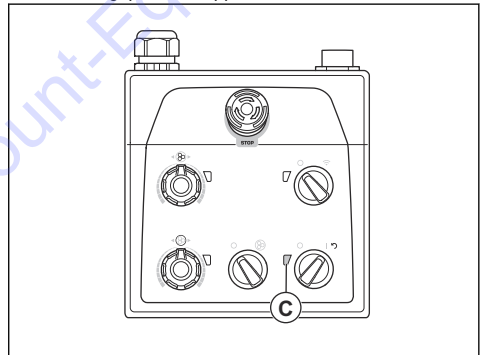
## Een mobiel apparaat opladen (PG 690 RC, PG 830 RC)

1. Sluit het product aan op een driefasige stroombron. Zie *Het product op een stroombron aansluiten op pagina 167*.

2. Verwijder de beschermdop van de USB-oplader op het bedieningspaneel (A).



3. Sluit uw mobiele apparaat aan op de USB-oplader (B).
4. Controleer of de indicator voor de spanning en laadstatus van de productaccu (C) op het bedieningspaneel knippert.



Terwijl het product op een driefasige stroombron is aangesloten, blijft de USB-oplader opladen wanneer de motor is uitgeschakeld. De stroomtoevoer voor de USB-oplader stopt wanneer de accu van het product volledig is opgeladen.

## Toerental en rotatierichting

Het product heeft Dual Drive technology. Dual Drive technology betekent dat de slijpkop en de slijpschijven met verschillende motoren werken. Het toerental en de rotatierichting kunnen onafhankelijk worden ingesteld voor de slijpkop en de slijpschijven. Door het toerental en de rotatierichting onafhankelijk in te stellen, wordt het bereik van verschillende soorten oppervlakken waarop het product kan worden gebruikt, vergroot.

## Gebruikssnelheid

Als het product op een nieuw type oppervlak wordt gebruikt, stelt u het toerental in eerste instantie in op 70%. Wanneer de gebruiker het type oppervlak kent, kan het toerental worden aangepast.

## Rotatierichting van de slijpkop en de slijpschijven

Gezien vanaf de onderkant van het product is de rotatierichting als volgt:

- "REV": rechtsom
- "FWD": linksom

Het slijpresultaat is het beste als de slijpkop en de slijpschijven in dezelfde richting draaien.

Tijdens gebruik kan het product naar de zijkant trekken. In welke richting dit gebeurt, is afhankelijk van de rotatierichting. Het product trekt naar rechts als de rotatierichting is ingesteld op "FWD". Het product trekt naar links als de rotatierichting is ingesteld op "REV".

Doordat het product naar de zijkant trekt, kunt u het bijvoorbeeld vlak bij een muur gebruiken. Stel de rotatierichting in om in de richting van de muur te trekken.



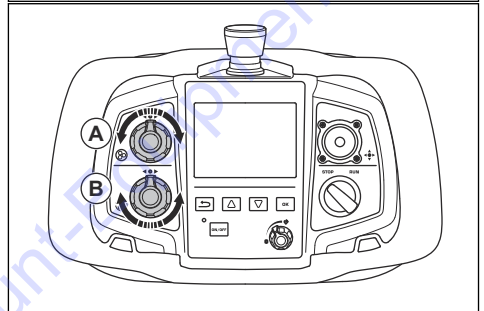
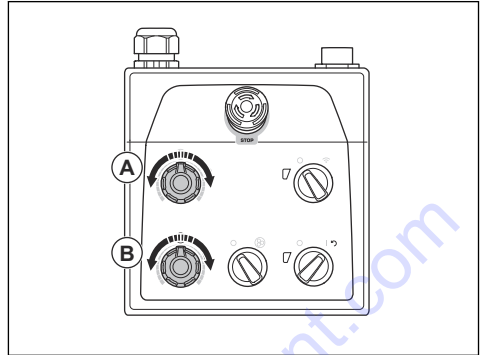
**OPGELET:** Stuur het product voorzichtig. Zorg ervoor dat het product slechts licht de muur raakt. Het product is zwaar en kan schade veroorzaken.

## Het toerental en de rotatierichting van de motoren veranderen

Verander regelmatig de rotatierichting om de levensduur van de diamantgereedschappen te verlengen en om ze scherper te maken. De diamantgereedschapssegmenten worden dan gelijkmatig gebruikt en het contactoppervlak blijft zo groot mogelijk.

- Draai aan knop (A) om het toerental en de rotatierichting van de slijpkop in te stellen.

- Draai aan knop (B) om het toerental en de rotatierichting van de slijpschijf in te stellen.

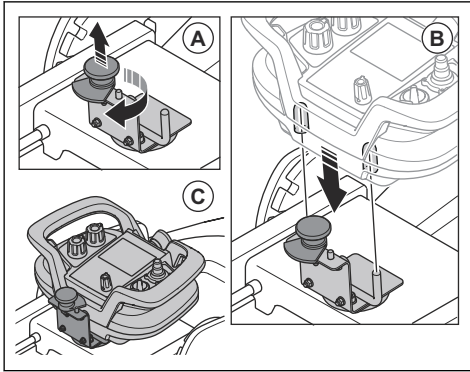


## De afstandsbediening aan de afstandsbedieningshouder bevestigen

Als de afstandsbediening niet in gebruik is, kan deze aan de afstandsbedieningshouder op het product worden bevestigd.

1. Plaats de afstandsbedieningshouder op het product. De achterkant van de houder voor de afstandsbediening bevat een magneet.

- Zorg ervoor dat de vergrendelknop op de afstandsbedieningshouder zich in de juiste positie bevindt. Trek de vergrendelknop omhoog en draai deze totdat hij van de afstandsbedieningshouder (A) af wijst.



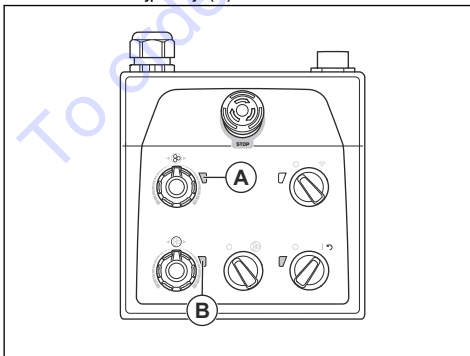
- Lijn de gaten aan de achterkant van de afstandsbediening uit met de pennen op de afstandsbedieningshouder (B).
- Duw de afstandsbediening volledig omlaag op de pennen op de afstandsbedieningshouder.
- Trek de vergrendelknop omhoog en draai deze totdat hij zich boven op de afstandsbediening (C) bevindt.
- Verwijder de afstandsbediening in de omgekeerde volgorde.

## Bedieningspaneel

Bedien het product handmatig met het bedieningspaneel in de hendel. Zie *Overzicht bedieningspaneel op pagina 152* voor een overzicht van de knoppen op het bedieningspaneel.

## Het product bedienen met het bedieningspaneel

- Let tijdens gebruik op kleurveranderingen in de indicatoren voor de omvormer naar de slijpkop (A) en naar de slijpschijf (B).



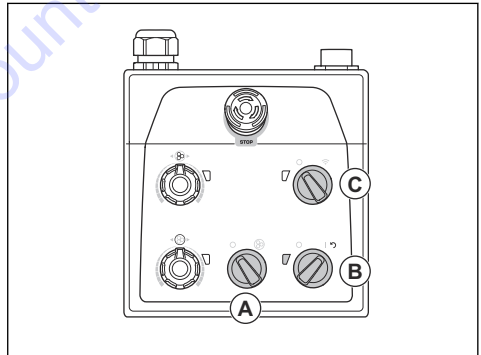
- Groen lampje: het product werkt naar behoren.
- Oranje lampje: de slijpkop en/of de slijpschijf is overbelast. Verlaag het uitgangsvermogen binnen 10 seconden om te voorkomen dat er een storing optreedt.
- Rood lampje: storing in een omvormer en het product stopt. Het product moet worden gereset. Zie *Het product resetten via het bedieningspaneel op pagina 178*.

## Het product starten via het bedieningspaneel



**OPGELET:** Beweeg het product altijd terwijl de slijpkop is ingeschakeld. Als u het product niet beweegt, kan het oppervlak ruw worden.

- Zorg ervoor dat de borgpennen voor de wielen niet aangrijpen. Zie *De borgpennen voor de wielen controleren op pagina 162*.
- Duw de handgreep iets omlaag om de slijpkop vanaf het oppervlak op te heffen. De diamantgereedschappen maken in dat geval niet langer contact met het oppervlak. Hef de slijpkop niet volledig vanaf het oppervlak op tijdens gebruik.
- Draai de STOP/RUN-schakelaar (A) op het bedieningspaneel linksom naar 0 om de slijpkop uit te schakelen.



- Zet de AAN/UIT-schakelaar (B) op het bedieningspaneel op 1 om het product te starten. De led naast de AAN/UIT-schakelaar gaat branden.
- Draai de schakelaar voor afstands-/handmatige bediening (C) op het bedieningspaneel linksom naar 0 voor handmatige bediening.
- Draai de STOP/RUN-schakelaar op het bedieningspaneel rechtsom om de slijpkop te starten. Het product bereikt binnen 5 seconden het stationaire toerental. De kleine motor start na ongeveer 2 seconden.

## Het product stopzetten via het bedieningspaneel

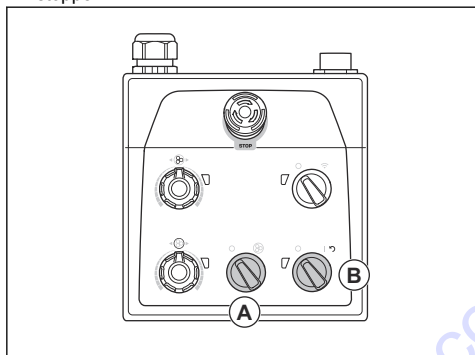


**OPGELET:** Hef de slijpkop niet vanaf het oppervlak op wanneer u de motor stopt. De schijfplaten blijven nog enige tijd draaien nadat de motor is uitgeschakeld. Stof kan opstuiwen en het oppervlak kan beschadigd raken.



**OPGELET:** Laat het product niet stilstaan totdat de schijfplaten volledig tot stilstand zijn gekomen.

1. Draai de STOP/RUN-schakelaar (A) op het bedieningspaneel linksom naar 0 om de slijpkop te stoppen.



2. Houd de schijfplaten tegen het oppervlak tot ze volledig tot stilstand komen.



**OPGELET:** Als u klevend asfalt, lak of soortgelijk materiaal afslijpt, kan het product aan het oppervlak blijven kleven. Hef de voorkant van de slijpkop licht op onmiddellijk nadat de schijfplaat volledig tot stilstand is gekomen.

3. Zet de AAN/UIT-schakelaar (B) op het bedieningspaneel op 0 om het product te stoppen. De led naast de AAN/UIT-schakelaar gaat uit.
4. Haal de stekker uit het stopcontact.

## Afstandsbediening

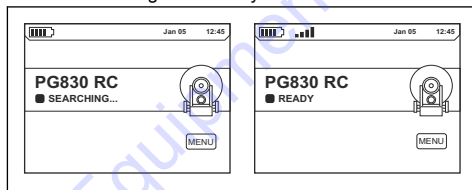
De afstandsbediening kan via radiocommunicatie worden bediend. Voor bediening via radiocommunicatie moet de afstandsbediening worden gekoppeld. Zie *Koppelen op pagina 176*.

De afstandsbediening kan ook worden bediend met een CAN-buskabel die tussen de afstandsbediening en het product is aangesloten. De CAN-buskabel kan bijvoorbeeld worden gebruikt wanneer de accu van de afstandsbediening bijna leeg is. Zie *De afstandsbediening met een CAN-buskabel op het product aansluiten op pagina 176* voor instructies over het aansluiten van de afstandsbediening op het product met een CAN-buskabel.

De afstandsbediening heeft alle bedieningselementen die nodig zijn om het product te bedienen. De afstandsbediening heeft een digitaal display met een menusysteem. Zie *Menuoverzicht op pagina 172*.

## Hoofdmenu

In het hoofdmenu opent u met de knop "OK" op de afstandsbediening het menusysteem.

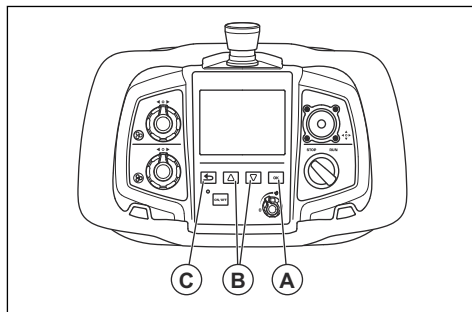


## Menusysteem

**Let op:** De displayteksten in deze handleiding zijn in het Engels. De displayteksten op uw product zijn in de geselecteerde taal. Zie *"LANGUAGES" op pagina 173*.

Het menusysteem heeft de submenu's "SETTINGS" en "SERVICE".

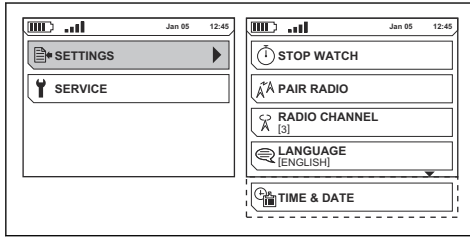
Met de pijltoetsen (B) beweegt u omhoog en omlaag in de menulijsten. Met de knop "OK" (A) maakt u een selectie. Met de knop (C) kunt u teruggaan in de menustructuur.







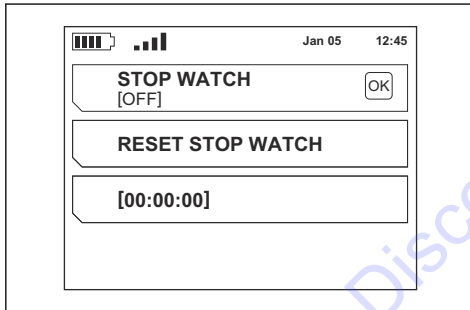
## Menu "SETTINGS"



### "STOP WATCH"

Met de functie "STOP WATCH" wordt gemeten hoeveel tijd er nodig is voor een bewerking. De tijd begint te tellen op het moment dat u het product start.

- "STOP WATCH OFF/ON": hiermee schakelt u de functie uit/in.
- "RESET STOP WATCH": hiermee reset u de functie.
- [00:00:00]: geeft de gebruiksduur weer in uren, minuten en seconden.



### "PAIR RADIO"

Met "PAIR RADIO" worden de afstandsbediening en het product gekoppeld.

### "RADIO CHANNEL"

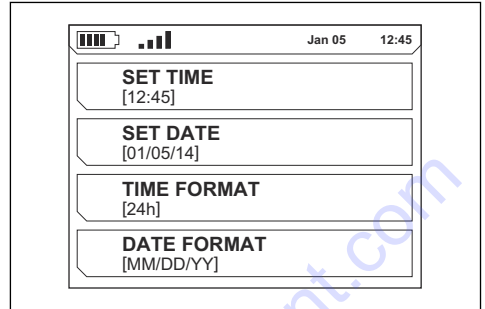
"RADIO CHANNEL" geeft een selectie van radiokanalen weer. Als u het radiokanaal wilt wijzigen, moet u een koppeling tot stand brengen. Zie *Koppelen op pagina 176*.

### "LANGUAGES"

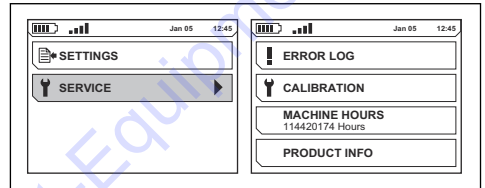
Met "LANGUAGES" stelt u de taal van de displaytekst in.

## "TIME & DATE"

Met "TIME & DATE" stelt u de tijd, de datum en de notatie voor de tijd en datum in.



## Menu "SERVICE"



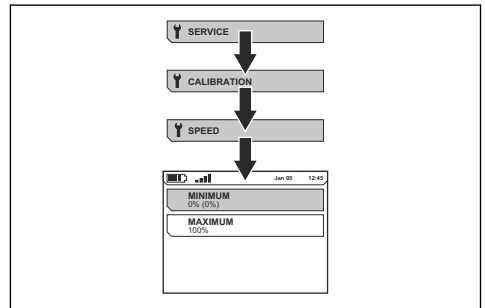
### "ERROR LOG"

"ERROR LOG" is een lijst met storingen die het product heeft aangetroffen. Zie *Foutmeldingen en waarschuwingsberichten op de afstandsbediening op pagina 187*.

### "CALIBRATION"

Als het product verkeerd begint te bewegen, moet u de bedieningselementen op de afstandsbediening en het bedieningspaneel kalibreren. Kalibratie wordt uitgevoerd via de afstandsbediening.

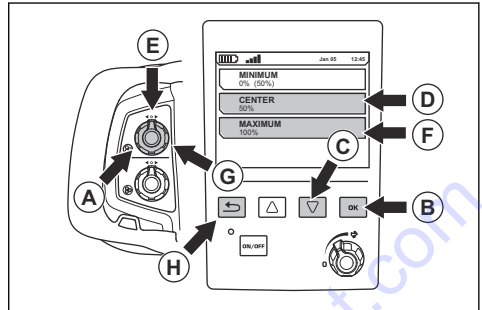
De kalibratie wordt voor de verschillende bedieningselementen uitgevoerd in het menu "CALIBRATION". De selectie "MINIMUM" is de standaardwaarde voor elke functie.



- "SPEED": kalibratie van het bedieningselement voor producttoerental.

- "DISC": kalibratie van het bedieningselement voor de rotatierichting en het toerental van slijpschijven op de afstandsbediening.
- "HEAD": kalibratie van het bedieningselement voor de rotatierichting en het toerental van de slijpkop op de afstandsbediening.
- "JOYSTICK X": kalibratie van de joystickpositie, rechts en links.
- "JOYSTICK Y": kalibratie van de joystickpositie, naar voren en naar achteren.
- "MACHINE DISC": kalibratie van het bedieningselement voor de rotatierichting en het toerental van de slijpschijven op het bedieningspaneel.
- "MACHINE HEAD": kalibratie van het bedieningselement voor de rotatierichting en het toerental van de slijpkop op het bedieningspaneel.

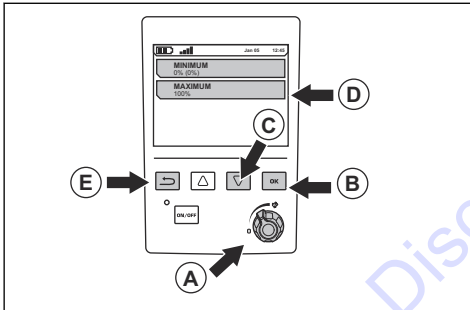
2. Draai de knop voor de rotatierichting en het toerental voor de slijpkop linksom naar de stop voor minimum (A).



3. Druk op de knop "OK" (B).
4. Selecteer met de pijltoets omlaag (C) "CENTER" (D) op het display.
5. Draai de knop voor de rotatierichting en het toerental voor de slijpkop rechtsom naar de stand waarbij de knop recht omhoog wijst (E).
6. Druk op de OK-knop.
7. Selecteer met de pijltoets omlaag "MAXIMUM" (F) op het display.
8. Draai de knop voor de rotatierichting en het toerental voor de slijpkop rechtsom tot aan de stop voor maximum (G).
9. Druk op de OK-knop.
10. Druk op de knop (H) om terug te gaan in de menustructuur.
11. Voer dezelfde procedure uit voor de andere 3 bedieningselementen.

### De toerentalregeling kalibreren

1. Selecteer "SPEED" in het menu "CALIBRATION".
2. Draai de knop voor de limiet van het toerental (A) linksom naar 0 voor de minimumwaarde.



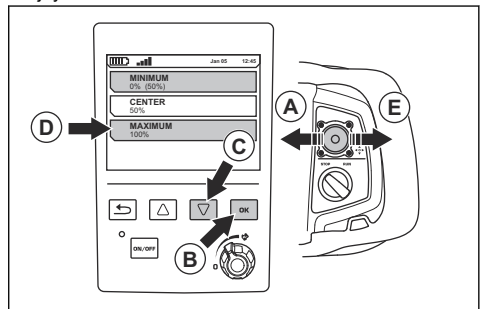
3. Druk op de knop "OK" (B).
4. Druk op de pijltoets omlaag (C) en selecteer "MAXIMUM" (D) op het display.
5. Draai de knop voor de limiet van het toerental rechtsom naar de maximumwaarde.
6. Druk op de OK-knop.
7. Druk op de knop (E) om terug te gaan in de menustructuur.

### De slijpschijf en de slijpkop kalibreren

1. Selecteer "DISC", "HEAD", "MACHINE DISC" of "MACHINE HEAD" in het menu "CALIBRATION". Zie "CALIBRATION" op pagina 173 voor beschrijvingen van elke selectie.

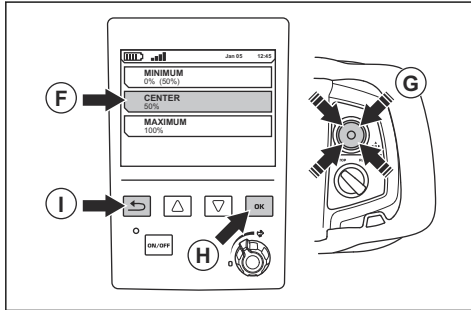
### De joystick kalibreren

1. Om de horizontale beweging van de joystick te kalibreren, selecteert u "JOYSTICK X" in het menu "CALIBRATION".
2. Duw de joystick recht naar links (A) en houd de joystick in deze stand vast.



3. Druk op de knop "OK" (B) om "MINIMUM" te selecteren op het display.

4. Selecteer met de pijltoets omlaag (C) "MAXIMUM" (D) op het display.
5. Druk op de OK-knop.
6. Laat de joystick los.
7. Voer dezelfde procedure aan de rechterkant (E) uit.
8. Om "CENTER" (F) te kalibreren, laat u de joystick los. De joystick gaat terug naar de middelste stand (G).



9. Druk op de knop "OK" (H).
10. Druk op de knop (I) om terug te gaan in de menustructuur.
11. Om de verticale beweging van de joystick te kalibreren, selecteert u "JOYSTICK Y" in het menu "CALIBRATION".
12. Voer dezelfde kalibratieprocedure uit als "JOYSTICK X", maar beweeg de joystick omhoog en omlaag.

### "OPERATING HOURS"

"OPERATING HOURS" geeft de totale bedrijfstijd van het product in uren weer.

### "PRODUCT INFO"

"PRODUCT INFO" geeft informatie over het product of de afstandsbediening weer.

### Funciemenu voor oscillatie en verstelling

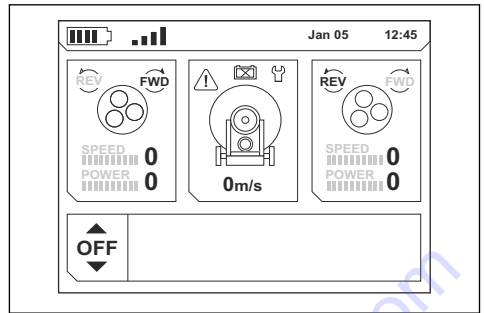
Oscillatie voorkomt randen op het oppervlak. Wanneer u in het menu voor oscillatie en verstelling een waarde wijzigt, worden de correcties na enkele seconden uitgevoerd.



**OPGELET:** Houd de oscillatie in de gaten wanneer het product in de buurt van muren en randen werkt. Stop de oscillatie wanneer u het product draait of in de buurt van voorwerpen gebruikt.

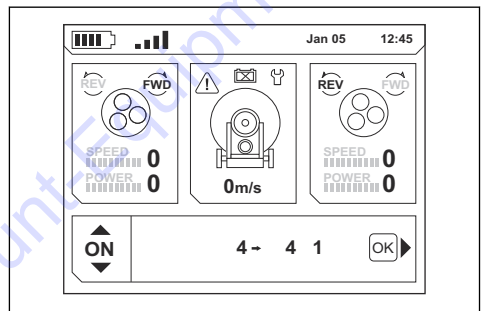
- "ON"/"OFF": de oscillatie starten/stoppen. Gebruik deze functie bijvoorbeeld wanneer u het product draait. Wanneer u de oscillatie start, worden dezelfde waarden gebruikt als vóór de stop.

Met de pijltoetsen op de afstandsbediening kunt u schakelen tussen de selecties "ON" of "OFF".

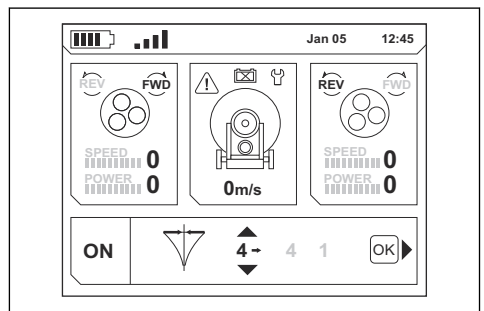


- Verstelling: correctie van de richting van de productverplaatsing tijdens bedrijf.

Met de pijltoetsen start u de oscillatie. Met de knop "OK" op de afstandsbediening start u de verstellingsmodus.

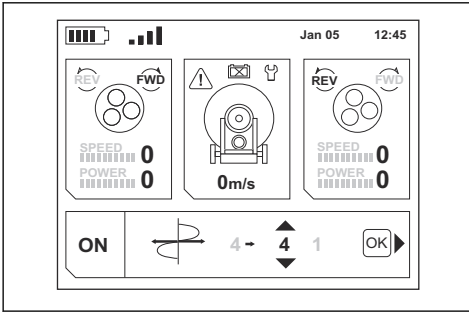


- In de verstellingsmodus kunt u met de pijltoetsen de verstellingswaarde aanpassen.



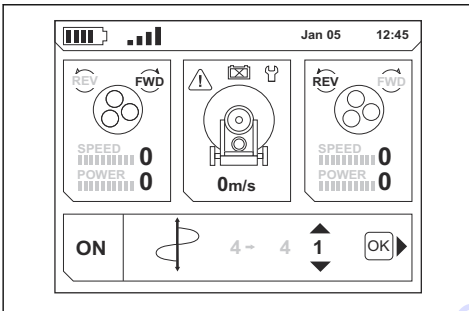
- Amplitude: hoe breed de oscillatie is.

In de verstellingsmodus start u met de knop "OK" de amplitudemodus. Met de pijltoetsen kunt u de amplitudewaarde aanpassen.



- Frequentie: hoe snel de oscillatie is.

In de amplitudemodus start u met de knop "OK" de frequentiemodus. Met de pijltoetsen kunt u de frequentiewaarde aanpassen.



- In de frequentiemodus gaat u met de knop "OK" terug naar de oscillatiemodus "ON"/"OFF".

## Het product bedienen met de afstandsbediening



**WAARSCHUWING:** Zorg ervoor dat u het product te allen tijde kunt zien wanneer u het met de afstandsbediening bedient. Dankzij het bedieningsbereik van de afstandsbediening kunt u het product ook verplaatsen wanneer u het niet kunt zien. Gevaar voor letsel en schade.

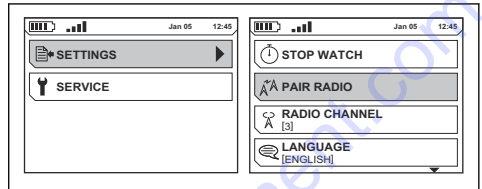
## Koppelen

De eerste keer dat de afstandsbediening samen met het product wordt gebruikt, moet u deze koppelen.

U moet deze ook koppelen als de afstandsbediening wordt vervangen of als u de afstandsbediening voor meerdere producten gebruikt.

1. Zorg ervoor dat de noodstopknoppen op het bedieningspaneel en op de afstandsbediening zijn uitgeschakeld. Zie *De noodstopknop op het bedieningspaneel controleren op pagina 161* en *De noodstopknop op de afstandsbediening controleren op pagina 161*.

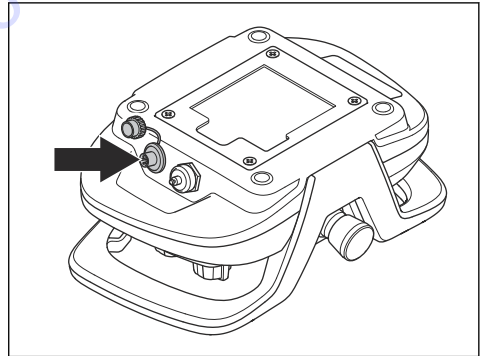
2. Sluit het netsnoer aan en start het product.
3. Sluit de CAN-buskabel aan. Zie *De afstandsbediening met een CAN-buskabel op het product aansluiten op pagina 176*.
4. Wacht tot de afstandsbediening volledig is opgeladen en het hoofdmenu op het display wordt weergegeven.
5. Druk op de knop "OK" om het menusysteem te openen.
6. Selecteer "SETTINGS" en druk op de knop "OK".



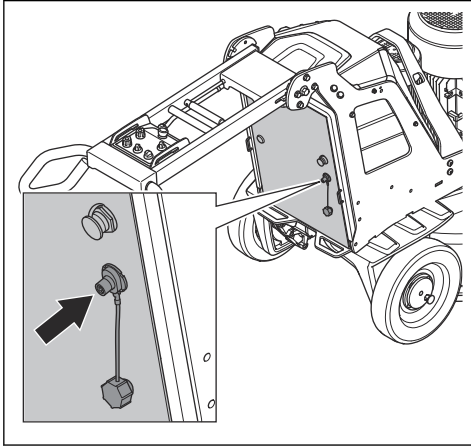
7. Ga met de pijltoetsen omlaag naar "PAIR RADIO" en druk op de knop "OK".
8. Er verschijnt een bericht op het display als het koppelen correct is uitgevoerd. Voer de procedure opnieuw uit als het koppelen niet correct is uitgevoerd.

## De afstandsbediening met een CAN-buskabel op het product aansluiten

1. Steek één uiteinde van de CAN-buskabel in de aansluiting op de afstandsbediening.



- Steek het andere uiteinde van de CAN-buskabel in de aansluiting op de deur van het regelkastje.



- Draai de verbindingsschroeven voor de CAN-buskabel met de hand vast.

### Het product starten met de afstandsbediening



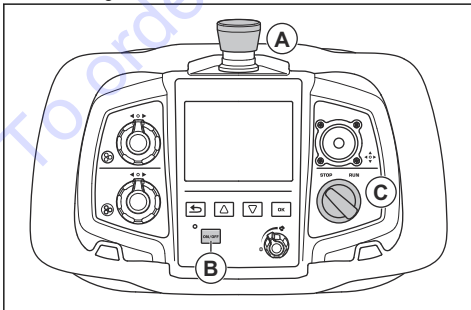
**OPGELET:** Beweeg het product altijd terwijl de slijpkop is ingeschakeld. Als u het product niet beweegt, kan het oppervlak ruw worden.

- Draai aan de borgpennen op het linker- en rechterwiel totdat de pen van de borgpen op één lijn ligt met de inkeping. Zie *De borgpennen voor de wielen controleren op pagina 162*.

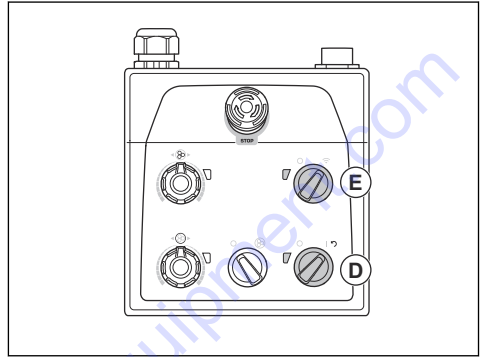


**WAARSCHUWING:** Zorg ervoor dat de 2 borgpennen correct zijn uitgelijnd. Als slechts 1 borgpen aangrijpt, bestaat het risico van letsel en schade wanneer het product wordt gestart.

- Draai de noodstopknop (A) op de afstandsbediening rechtsom om ervoor te zorgen dat de noodstopknop wordt uitgeschakeld.



- Druk op de AAN/UIT-knop (B) op de afstandsbediening. De afstandsbediening is ingeschakeld wanneer het display aan gaat.
- Draai de STOP/RUN-schakelaar (C) op de afstandsbediening naar STOP.
- Draai de AAN/UIT-schakelaar (D) op het bedieningspaneel naar 1 om het product te starten. De led naast de AAN/UIT-schakelaar gaat branden.



- Draai de schakelaar voor afstandsbediening/handmatige bediening (E) op het bedieningspaneel rechtsom voor gebruik van de afstandsbediening. De led naast de schakelaar voor afstandsbediening/handmatige bediening knippert.
- Draai de STOP/RUN-schakelaar op de afstandsbediening naar RUN om het gebruik te starten. Het product bereikt binnen 5 seconden het stationaire toerental. De kleine motor start na ongeveer 2 seconden.
- Beweeg de joystick om het product te sturen.



**OPGELET:** Beweeg de joystick voorzichtig. Als u de joystick met kracht beweegt, worden de prestaties van het product niet beter. De joystick kan beschadigd raken als u deze met te veel kracht bedient.



**OPGELET:** Til de afstandsbediening niet op aan de joystick.

**Let op:** Op schurende oppervlakken kan het nodig zijn om de joystick naar voren te duwen om de oppervlakwrijving van de diamantgereedschappen te verminderen.

### Het product bedienen met de afstandsbediening aangesloten met een CAN-buskabel



**WAARSCHUWING:** Gebruik de afstandsbediening die is aangesloten met een CAN-buskabel niet als het risico bestaat

dat het product valt. De operator mag niet in verbinding staan met het product.

- Sluit de CAN-buskabel aan op de afstandsbediening en het product. Zie *De afstandsbediening met een CAN-buskabel op het product aansluiten op pagina 176*.
- Zorg ervoor dat de borgpennen voor de wielen aangrijpen. Zie *De borgpennen voor de wielen controleren op pagina 162*.

## Het product stoppen met de afstandsbediening

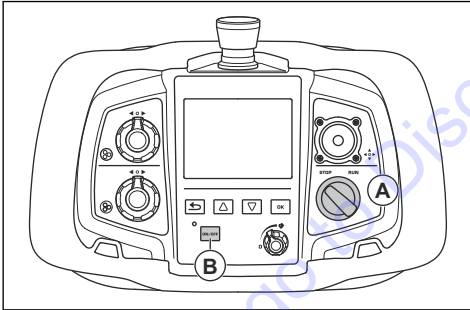


**OPGELET:** Hef de slijpkop niet vanaf het oppervlak op wanneer u de motor stopt. De schijfplaten blijven nog enige tijd draaien nadat de motor is uitgeschakeld. Stof kan opstuiven en het oppervlak kan beschadigd raken.



**OPGELET:** Laat het product niet stilstaan totdat de schijfplaten volledig tot stilstand zijn gekomen.

1. Draai de STOP/RUN-schakelaar (A) op de afstandsbediening naar STOP om de slijpkop te stoppen.



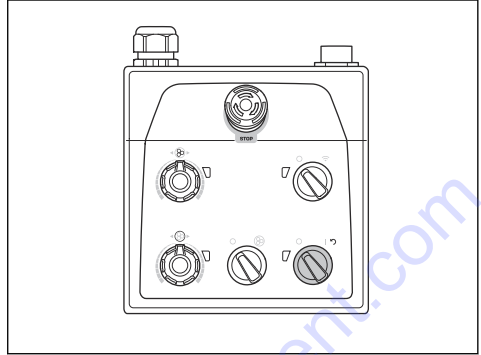
2. Houd de schijfplaten tegen het oppervlak tot ze volledig tot stilstand komen.



**OPGELET:** Als u klevend asfalt, lak of soortgelijk materiaal afslijpt, kan het product aan het oppervlak blijven kleven. Hef de voorkant van de slijpkop licht op onmiddellijk nadat de schijfplaat volledig tot stilstand is gekomen.

3. Druk op de AAN/UIT-knop (B) op de afstandsbediening. Het display gaat uit.

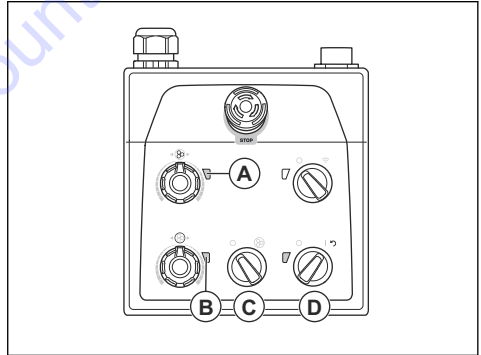
4. Draai de AAN/UIT-schakelaar op het bedieningspaneel naar 0 om het product te stoppen. De led naast de AAN/UIT-schakelaar gaat uit.



5. Haal de stekker uit het stopcontact.

## Het product resetten via het bedieningspaneel

De AAN/UIT-schakelaar kan als resetschakelaar worden gebruikt als er een omvormer wordt uitgeschakeld. Reset het product wanneer de indicatoren voor de omvormer naar de slijpkop (A) en de slijpschijf (B) rood zijn.



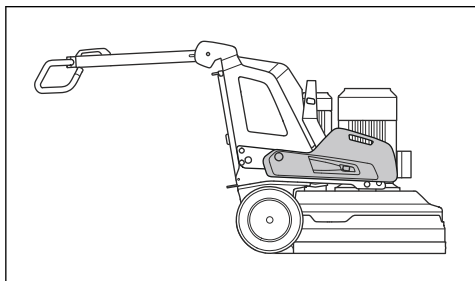
1. Draai de STOP/RUN-schakelaar (C) linksom naar 0 om de slijpkop uit te schakelen.
2. Draai de AAN/UIT-schakelaar in de richting van de pijl (D) om het product te resetten. De indicatoren voor de omvormer naar de slijpkop en de slijpschijf zijn groen wanneer de storing is gereset.
3. Draai de STOP/RUN-schakelaar op het bedieningspaneel rechtsom om de slijpkop weer te starten.

## Gewichten

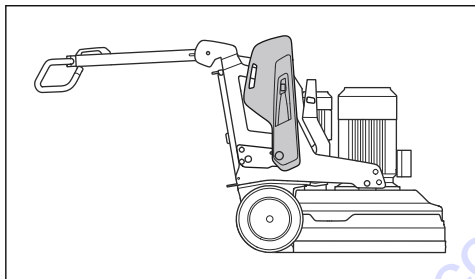
Het product heeft 1 gewicht aan elke zijde. Als het product zwaar is om te gebruiken, verstelt u de gewichten om de druk op de slijpkop te veranderen. De gewichten moeten aan de rechter- en linkerkant worden

versteld naar dezelfde positie. De gewichten hebben 3 posities:

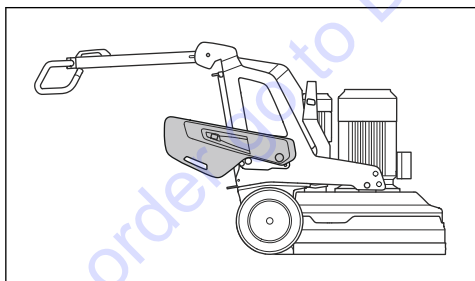
- Positie 1: maximale druk op de slijpkop. Deze positie vergroot de doeltreffendheid. Deze positie wordt ook gebruikt wanneer u het product in de transportstand zet.



- Positie 2: standaarddruk op de schuurkop.



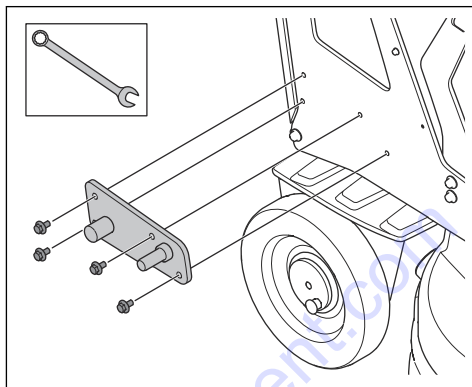
- Positie 3: minimale druk op de slijpkop. Deze positie wordt ook gebruikt wanneer u het product naar de onderhoudsstand kantelt.



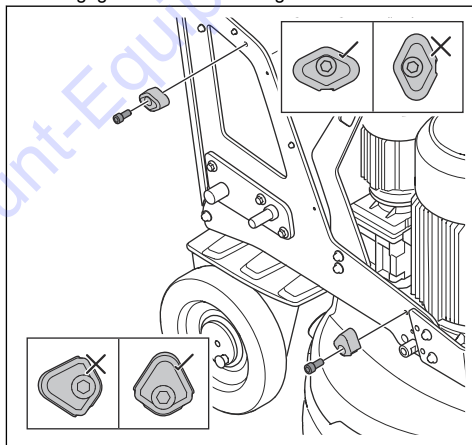
### De gewichten monteren en demonteren

Het product heeft 1 gewicht aan elke zijde. Voer de volgende procedure uit voor elk gewicht.

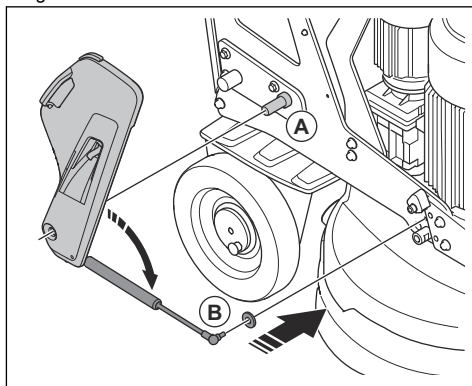
1. Installeer de gewichthouder en draai de 4 schroeven vast.



2. Breng de 2 gewichtssteunen aan. Controleer of de gewichtssteunen correct zijn gemonteerd, zoals weergegeven in de afbeelding.

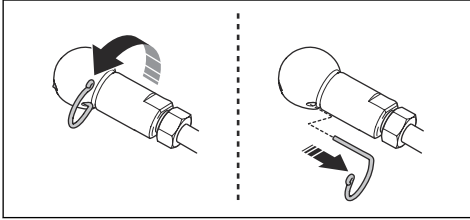


3. Plaats het gewicht op de cilinder (A) op de gewichthouder.



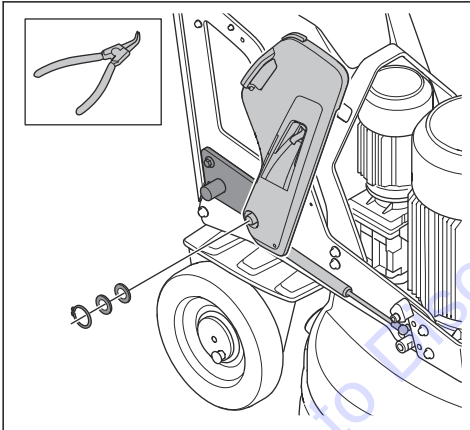
4. Bevestig de gasveer van het gewicht aan het product (B).

a) Verwijder de borgveer van de kogelverbinding.



- b) Verwijder het kogelgewricht van de gasveer.  
c) Bevestig het kogelgewricht aan het product.  
d) Bevestig de gasveer aan het kogelgewricht. Zet de gasveer vast op het kogelgewricht met de borgveer.

5. Vergrendel het gewicht op de gewichthouder met de borgring.



## De gewichten verstellen

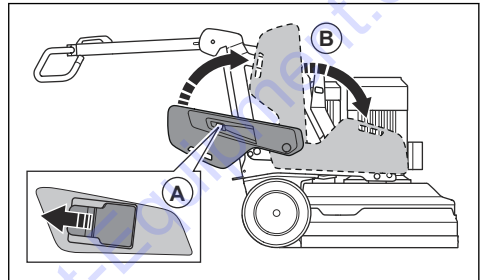


**WAARSCHUWING:** Wees voorzichtig bij het verstellen van de gewichten. De bewegende delen kunnen letsel veroorzaken.



**WAARSCHUWING:** Zorg er altijd voor dat de gewichtvergrendeling correct wordt vergrendeld wanneer de gewichten in de geselecteerde positie worden gezet.

1. Druk de gewichtvergrendeling (A) in en verplaats het gewicht met de gewichtshendel naar de geselecteerde stand (B). Zie *Gewichten op pagina 178*.



2. Maak de gewichtvergrendeling los om het gewicht in de geselecteerde stand te vergrendelen.

## Onderhoud

### Inleiding



**WAARSCHUWING:** Voordat u onderhoud gaat uitvoeren, dient u het hoofdstuk over veiligheid te lezen en hebben begrepen.

Voor alle onderhouds- en reparatiewerkzaamheden aan het product is speciale training nodig. Wij garanderen de beschikbaarheid van professionele reparaties en onderhoud. Indien uw dealer geen servicewerkplaats heeft, vraag hem dan naar de dichtstbijzijnde servicewerkplaats.

### Vereiste handelingen voorafgaand aan onderhoud

- Maak altijd gebruik van persoonlijke beschermingsmiddelen. Zie *Persoonlijke beschermingsuitrusting op pagina 158*.
- Gebruik goedgekeurde ademhalingsbescherming. Het stof van het product is schadelijk voor uw gezondheid.
- Parkeer het product op een vlakke ondergrond.
- Stop de motor en haal de stekker uit het stopcontact om te voorkomen dat de motor per ongeluk start tijdens onderhoud.
- Verwijder olie en vuil van het gebied rondom het product. Verwijder ongewenste voorwerpen.



- Breng duidelijke waarschuwingsborden aan om omstanders te informeren dat er onderhoudswerkzaamheden gaande zijn.
- Zorg dat brandblussers, medische hulpmiddelen en een noodtelefoon binnen handbereik zijn.

X = De instructies zijn opgenomen in deze gebruikershandleiding.

O = De instructies zijn niet opgenomen in deze gebruikershandleiding. Laat onderhoud aan de machine uitvoeren door een erkende servicewerkplaats.

## Onderhoudsschema

\* = Algemeen onderhoud uit te voeren door de gebruiker. De instructies zijn niet opgenomen in deze gebruikershandleiding.

Onderhoud	Elke dag	Weke-lijks	Elke 6 maanden	Elke 12-36 maanden
Controleer de AAN/UIT-schakelaar op het bedieningspaneel.	*			
Controleer de STOP/RUN-schakelaar op de afstandsbediening.	*			
Controleer de noodstopknop op het bedieningspaneel.	X			
Controleer de noodstopknop op de afstandsbediening.	X			
Controleer de bevestigingspunten en de vergrendelfunctie voor de hendel.		*		
Controleer de bevestigingspunten en de vergrendelfunctie voor de gewichten.		*		
Reinig de buitenkant van het product.	X			
Reinig de interne componenten van het product.			O	
Voer een algemene inspectie uit.	X			
Controleer de slijpschijven.	X			
Controleer de werking van het aandrijfsysteem voor de slijpkop.		X		
Voer onderhoud uit aan het aandrijfsysteem voor slijpschijven.				O
Controleer de verbinding tussen het chassis en de slijpkop.		*		

## Product reinigen



**OPGELET:** Een geblokkeerde luchtinlaat leidt tot verminderde prestaties van het product en kan leiden tot oververhitting van de motor.

- Verwijder blokkades van alle luchtopeningen. Het product moet altijd koel genoeg zijn.
- Haal altijd de stekker uit het stopcontact voordat u het product gaat reinigen.
- Gebruik geen chemicaliën om het product te reinigen.
- Reinig elektrische componenten nooit met water.
- Reinig altijd alle apparatuur aan het einde van de werkdag.
  - a) Kantel het product totdat de handgreep zich op de vloer bevindt.

- b) Verwijder de diamantgereedschappen en gebruik het product kort op het laagste toerental. Bedien het product om de hoeveelheid stof op de bovenkant van de slijpkop te verminderen.
- c) Reinig de componenten aan de onderkant van de slijpkop met een hogedrukreiniger.



**OPGELET:** Richt de hogedrukreiniger niet direct op afdichtingen of aansluitpunten.

## Accu en acculader reinigen



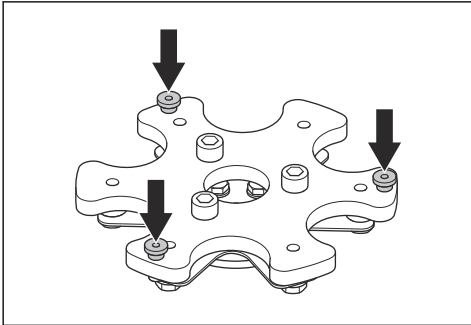
**OPGELET:** Reinig de accu of acculader nooit met water.

- Zorg ervoor dat de accu en de acculader schoon en droog zijn voordat u de accu aansluit op de acculader.

- Reinig de accupolen met perslucht of gebruik een zachte en droge doek.
- Reinig de oppervlakken van de accu en de acculader met een zachte en droge doek.

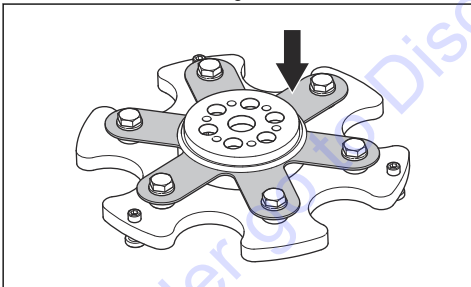
## Algemene inspectie uitvoeren

- Controleer of de voedingskabel en verlengkabel in goede staat verkeren en niet beschadigd zijn.
- Controleer of de moeren en schroeven goed zijn vastgedraaid.
- Controleer of de kopvergrendelingen goed vastzitten. Draai de kopvergrendelingen indien nodig vast en gebruik draadborgmiddel LOCTITE® 680.



## De slijpschijven controleren

- Controleer de verenstalen veer op beschadigingen en controleer of deze in goede staat verkeert.



- Vervang beschadigde verenstalen veren.

**Let op:** De slijpschijf hoeft niet te worden weggegooid wanneer u de verenstalen veer vervangt.

- Voeg een tweede veer van verenstaal toe om de verenstalen kop minder flexibel te maken.

## Aandrijfsysteem voor slijpkop

Het aandrijfsysteem voor de slijpkop is een gesloten systeem. Als u problemen hebt met het aandrijfsysteem van de slijpkop, neem dan contact op met de servicewerkplaats van Husqvarna.

## Productaccu

De productaccu wordt alleen gebruikt om het product met de afstandsbediening van het transportvoertuig naar het werkgebied te verplaatsen. De productaccu wordt niet gebruikt voor bediening van het product. Het product moet tijdens gebruik op een stroombron zijn aangesloten.

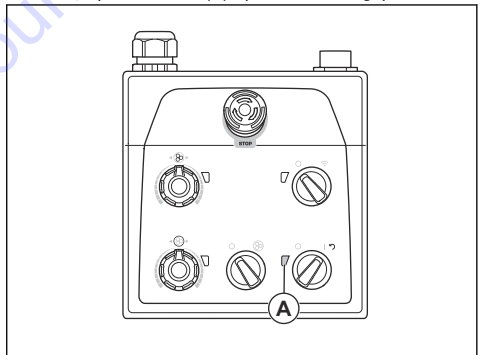
Voordat u het product voor het eerst gaat gebruiken, moet u de accu opladen.

De gebruikstijd is ongeveer 1 uur wanneer de accu volledig is opgeladen. De omgevingstemperatuur en de mate waarin de wielmotoren worden gebruikt, kunnen de gebruikstijd verkorten.

## De productaccu opladen via een driefasige stroombron

De productaccu wordt opgeladen wanneer het product op een driefasige stroombron is aangesloten en in bedrijf is. De laadtijd voor een lege productaccu is 3 à 4 uur.

1. Laad de accu op bij een omgevingstemperatuur tussen 0 °C/32 °F en 40 °C/104 °F.
2. Sluit het product aan op een driefasige stroombron. Zie *Het product op een stroombron aansluiten op pagina 167*. Wanneer de accu wordt opgeladen, knippert de indicator voor de spanning en laadstatus van de productaccu (A) op het bedieningspaneel.



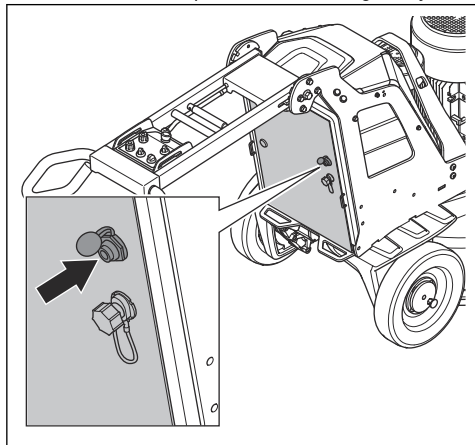
3. Wanneer de accu volledig is opgeladen, gaat de indicator voor de spanning en laadstatus van de productaccu uit.

## De productaccu opladen via een 1-fasige verbinding

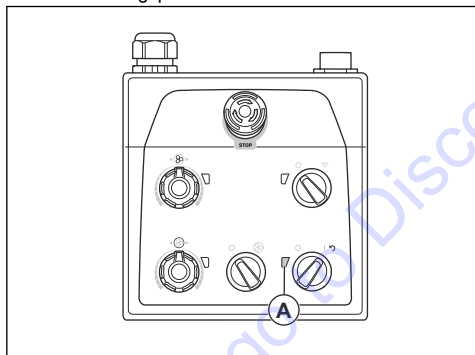
De laadtijd voor een lege productaccu is 3 à 4 uur.

1. Laad de accu op bij een omgevingstemperatuur tussen 0 °C/32 °F en 40 °C/104 °F.

2. Sluit de 1-fasige oplaadkabel aan op de aansluiting van de acculader op de deur van het regelkastje.



3. Sluit het andere uiteinde van de 1-fasige oplaadkabel aan op een stopcontact. Wanneer de accu wordt opgeladen, knippert de indicator voor de spanning en laadstatus van de productaccu (A) op het bedieningspaneel.



4. Wanneer de accu volledig is opgeladen, gaat de indicator voor de spanning en laadstatus van de productaccu uit.

## Accu van de afstandsbediening

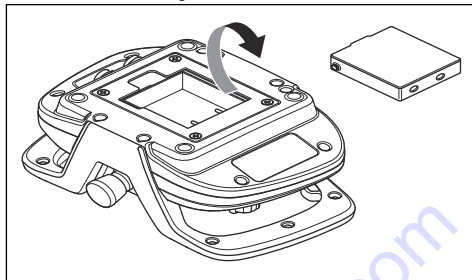
De gebruiksduur is ongeveer 8-10 uur wanneer de accu van de afstandsbediening volledig is opgeladen. Als het display vaak wordt gebruikt, kan de gebruikstijd afnemen.

Voordat u de afstandsbediening voor het eerst gebruikt, moet u de accu opladen.

## De accu van de afstandsbediening in de afstandsbediening plaatsen en eruit verwijderen

1. Draai de afstandsbediening om zodat u toegang krijgt tot de achterkant waar zich de accu bevindt.

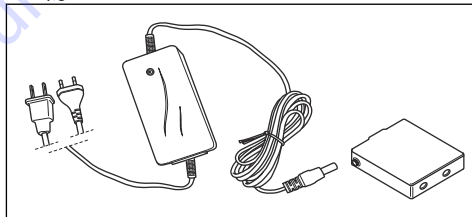
2. Verwijder of plaats de accu van de afstandsbediening.



## De accu van de afstandsbediening opladen met de acculader

De oplaadtijd voor een lege afstandsbedieningsaccu is ongeveer 2-3 uur met de acculader.

1. Verwijder de afstandsbedieningsaccu uit de afstandsbediening. Zie *De accu van de afstandsbediening in de afstandsbediening plaatsen en eruit verwijderen op pagina 183*.
2. Sluit de acculader aan op een stopcontact.
3. Sluit de afstandsbedieningsaccu aan op de acculader. Het lampje op de acculader brandt oranje wanneer de afstandsbedieningsaccu wordt opgeladen.



4. Wanneer de afstandsbedieningsaccu volledig is opgeladen, wordt het lampje groen. Haal de afstandsbedieningsaccu van de acculader.
5. Ontkoppel de acculader van het stopcontact.

## De afstandsbedieningsaccu opladen met de CAN-buskabel

De oplaadtijd met de CAN-buskabel is langer dan met de acculader. De afstandsbediening kan tijdens het opladen met de CAN-buskabel worden gebruikt.

**Let op:** U moet het product op een stopcontact aansluiten en de schakelaar ON/OFF op 1 zetten om de accu van de afstandsbediening op te laden.

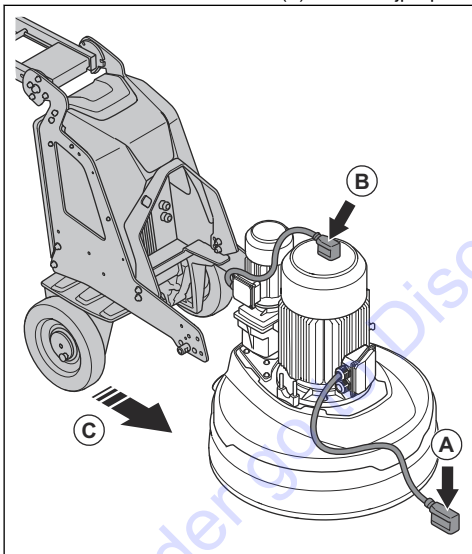
1. Sluit de afstandsbediening met de CAN-buskabel aan op het product. Zie *De afstandsbediening met een CAN-buskabel op het product aansluiten op pagina 176*. Het acculampje van het product op het display van de afstandsbediening gaat branden wanneer de accu wordt opgeladen. Zie *Overzicht display op pagina 154*.
2. Wanneer de accu volledig is opgeladen, gaat het acculampje van het product uit.
3. Koppel de CAN-buskabel los van het product.
4. Koppel de CAN-buskabel los van de afstandsbediening.

## De slijpkop installeren en verwijderen



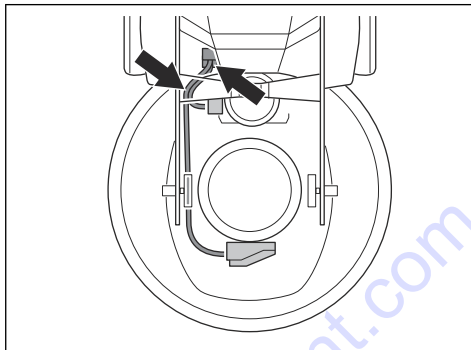
**WAARSCHUWING:** Het chassis is niet in balans wanneer de slijpkop is verwijderd. Zorg ervoor dat het chassis niet kan vallen. Dit kan letsel of schade veroorzaken.

1. Plaats de voorste motorkabel (A) vóór de slijpkop.

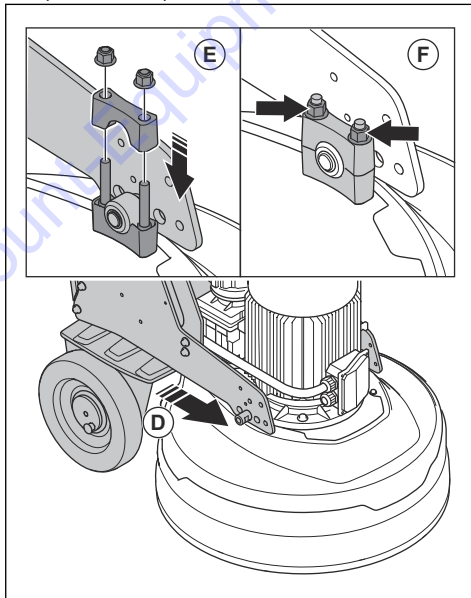


2. Plaats de achterste motorkabel (B) boven op de motor.
3. Duw het chassis in de richting van de slijpkop (C).

4. Leid de motorkabels door de gleuf tussen de slijpkop en het chassis.

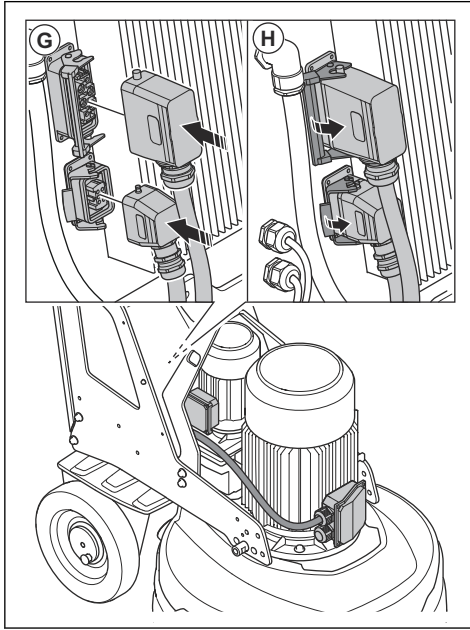


5. Duw het chassis volledig tegen de slijpkop (D). Zorg ervoor dat het chassis wordt bevestigd aan de steun op de schuurkop.



6. Monteer de tweede steun (E) boven op de steun op de slijpkop.
7. Draai de 2 moeren (F) aan weerszijden van de slijpkop vast.

8. Sluit de motorkabels aan op de elektrische uitgangen (G) op de controlekast.



9. Zet de motorkabels vast aan de elektrische uitgangen (H) op de controlekast.

10. Verwijder de slijpkop in omgekeerde volgorde.

## Probleemoplossing

Probleem	Oorzaak	Oplossing
Het product start niet.	De verlengkabel is losgekoppeld of beschadigd.	Sluit de verlengkabel aan of vervang deze indien nodig.
	Een noodstopknop is ingeschakeld.	Draai de noodstopknop op het bedieningspaneel en/of de afstandsbediening rechtsom om deze uit te schakelen.
	De veiligheidsschakelaar is open in de controlekast.	Sluit de veiligheidsschakelaar om het circuit te voltooien.

Probleem	Oorzaak	Oplossing
Het product kan niet eenvoudig worden vastgehouden.	Er zijn te weinig diamantschijven op het product geïnstalleerd.	Verhoog het aantal diamantgereedschappen om de belasting van het product en de gebruiker te verminderen.
	De grote slijpaandrijfmotor werkt niet.  Dit kan worden veroorzaakt door een storing in de motor of door een storing in de draad naar de motor.	Controleer of de grote slijpaandrijfmotor is aangesloten.  Indien het probleem zich blijft voordoen, neem dan contact op met een erkende servicewerkplaats.
	De riem is kapot.	Als de riem kapot is, laat deze dan door een servicepunt vervangen.  Draai een van de slijpschijven met de hand. Als alle slijpschijven draaien, is de riem niet beschadigd. Als slechts 1 slijpschijf vrij draait, dan is de riem kapot.
	Er komt slechts 1 fase in het product. Het product ontvangt geen foutcode en gebruikt een motorstroom van < 1 A. De ventilator draait langzaam.	Controleer de voeding.
	Het oppervlak of de bewerking zorgt voor overbelasting van het product.	Pas het toerental van de motoren en/of de voorwaartse snelheid van het product over de vloer aan.
	Het product klinkt alsof het toerental te hoog wordt.	De kleine slijpaandrijfmotor is niet aangesloten.
De kleine slijpaandrijfmotor werkt niet.  Dit kan worden veroorzaakt door een storing in de motor of door een storing in de draad naar de motor.		Controleer of de kleine slijpaandrijfmotor is aangesloten.  Indien het probleem zich blijft voordoen, neem dan contact op met een erkende servicewerkplaats.
De ondergrond is te dik of de configuratie van het diamantgereedschap is onjuist.		Duw de handgreep iets omlaag om de slijpkop van het oppervlak op te heffen wanneer u het product start.

Probleem	Oorzaak	Oplossing
Het product maakt een onregelmatig kraspatroon.	De diamantgereedschappen zijn onjuist of op verschillende hoogtes op de slijpschijven gemonteerd.	Controleer of alle diamantgereedschappen correct zijn geïnstalleerd en dezelfde hoogte hebben.
	De diamantgereedschappen zijn van verschillende typen	Controleer of alle segmenten dezelfde diamantschuurkorrels en binding hebben. Als de diamantsegmenten ruw zijn, moet u de ruwe diamantsegmenten gelijkmatig verdelen. Gebruik het product op een schurend oppervlak totdat alle segmenten dezelfde hoogte hebben.
	De kopvergrendelingen zitten los of ontbreken.	Zorg ervoor dat alle kopvergrendelingen op hun plek zitten en zijn vastgedraaid.
	De harsgereedschappen zijn gemengd of bevatten ongewenste verontreiniging.	Zorg ervoor dat alle harsen dezelfde diamantschuurkorrels en binding hebben en dat er geen verontreiniging is. Om de harsgereedschappen te reinigen, moet u ze korte tijd op een licht schurend oppervlak gebruiken.
	De slijpschijven zijn versleten of beschadigd.	Controleer de slijpschijven op defecte stukken en te veel speling.
Er doen zich plotse ongewenste bewegingen voor.	De slijpschijven zijn versleten of beschadigd.	Controleer de slijpschijven op beschadigde delen en te veel speling.
	De diamantgereedschappen zijn onjuist of op verschillende hoogtes op de slijpschijven gemonteerd.	Controleer of alle diamantschijven correct zijn geïnstalleerd en dezelfde hoogte hebben.
	De kopvergrendelingen zitten los of ontbreken.	Zorg ervoor dat alle kopvergrendelingen op hun plek zitten en zijn vastgedraaid.
De interne stroomonderbreker wordt uitgeschakeld.	Te hoge belasting of onvoldoende voeding.	Controleer de voeding.
		Verlaag de slijpdruk, verhoog het aantal diamantgereedschappen of verhoog de hardheid van de binding.
Het display gaat naar een van de hoofdmenu's terwijl het product in werking is.	Interferentie in radiocommunicatie tussen de afstandsbediening en het product.	Kies een ander radiokanaal.
Er is geen Bluetooth® Low Energy (BLE)-verbinding met het product.	Er is geen stroom.	Sluit het product aan op een stroombron.
	Het accupack voor de BLE-module staat in de stand OFF.	Zorg ervoor dat de schakelaar van het accupack in de stand ON staat.
	De accu voor de BLE-module is leeg.	Neem contact op met een erkende service-werkplaats.
	De antenne of antenneaansluiting is beschadigd.	Neem contact op met een erkende service-werkplaats.

## Foutmeldingen en waarschuwingsberichten op de afstandsbediening

Wanneer het product stopt en op het display een foutmelding en een foutcode worden weergegeven, is er

een fout opgetreden. Als de berichten van toepassing zijn op tractiemotoren of de accu, kan het product alleen handmatig worden bediend. Neem dan contact op met een erkende servicewerkplaats. Om het product te kunnen blijven gebruiken, moet de storing worden verholpen. Als de storing is verholpen, moet u ervoor

zorgen dat de STOP/RUN-schakelaar op de afstandsbediening op STOP staat.

Als het waarschuwingssymbool op de afstandsbediening gaat branden en het waarschuwinglampje op het product snel knippert, is er een storing opgetreden. Om

de storing te zien, selecteert u het menu SERVICE in het menusysteem van de afstandsbediening. Selecteer vervolgens ERROR LOG om de storing en mogelijke oplossing te zien.

Fout- of waarschuwingscode	Melding op het display	Oorzaak
0x010201	"Machine battery error, contact service!"	De accu werkt niet.
0x010202		Kortsluiting tijdens opladen van de accu.
0x010228		De oplaadtijd van de batterij is verstreken.
0x01020B	"Low battery level!"	De accuspanning is laag.
0x010240	"Machine battery error, contact service!"	Accu niet goed aangesloten.
0x010115	"Traction overload, check that machine is not blocked!"	Er is sprake van overbelasting in de tractiemotoren.
0x010140	"Traction motor error, contact service if error persists!"	De Hall-effectsensoren van de tractiemotor geven een onjuiste waarde aan
0x010141	"Spring pin(s) not inserted in drive wheel(s)."	De borgpennen grijpen niet aan.
0x010540	"Radio error, contact service if error persists!"	Geen verbinding met het product.
0x01070D	"Temperature measurement not working, contact service!"	De producttemperatuur kan niet worden aangegeven. Het opladen van de accu is niet ingeschakeld.
0x01070F	"Temperature in machine is too high!"	De producttemperatuur is te hoog. Het product wordt gestopt.
0x01070E	"Temperature in machine is too low!"	De producttemperatuur is te laag. Het product wordt gestopt.
0x010740	"Internal error, contact service!"	Geen verbinding tussen aandrijvingen met variabele frequentie en de regeleenheid voor slijpen.



Fout- of waarschuwingscode	Melding op het display	Oorzaak
0x010300		Algemene storing.
0x010301	"Grinding disc driver error, contact service if error persists!"	Interne fout in de aandrijving met variabele frequentie.
0x010301 - 0x010376		
0x010302	"Input voltage is too low!"	
0x010307	"Temperature in machine is too high!"	
0x01030F		
0x010317	"Motor overload, contact service if problem persists!"	
0x010318		
0x010319	"Grinding disc driver error, contact service if error persists!"	
0x01034A		
0x01034B	"Temperature in machine is too high!"	
0x01034C		
0x01035D	"Motor overload, contact service if problem persists!"	
0x010400		Algemene storing.
0x010401 - 0x010474	"Planetary head driver error, contact service if error persists!"	Interne fout in de aandrijving met variabele frequentie.
0x010402	"Input voltage is too low!"	
0x01040F	"Temperature in machine is too high!"	
0x010407		
0x01044B		
0x020228	"Remote control battery needs to be replaced!"	De oplaadtijd van de batterij is verstreken.
0x020424	"Machine or remote control needs software update, contact service!"	Geen verbinding tussen de afstandsbediening en het product.
0x020441	"The clock has stopped, please correct it if necessary."	De klok van de afstandsbediening geeft niet de juiste tijd weer.

## Vervoer, opslag en verwerking

### Transport



**WAARSCHUWING:** Wees voorzichtig tijdens het transport. Het product is zwaar en kan als het valt of beweegt letsel of schade veroorzaken.

Met de wielen kunt u het product verplaatsen voor kortere afstanden. Voor langere afstanden moet u het

product heffen om het te verplaatsen of op een voertuig plaatsen.



**OPGELET:** Sleep het product niet achter een voertuig.

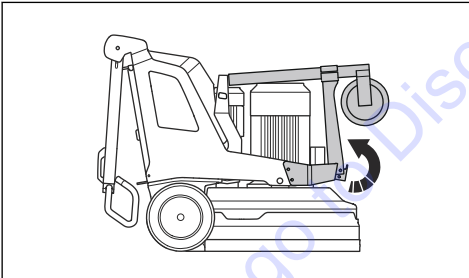
- Wees zeer voorzichtig wanneer u het product handmatig of op oppervlakken met een helling

verplaatst. Lichte hellingen kunnen leiden tot een snelle beweging die niet met de hand kan worden geremd.

- Zorg dat het product tijdens vervoer stevig is vastgezet. Zorg ervoor dat het niet kan bewegen.
- Zorg dat het product tijdens het transport op bepaalde manieren wordt beschermd. Op deze wijze wordt het product niet blootgesteld aan natuurverschijnselen zoals regen en sneeuw.
- Gebruik altijd het hijsorg op het product wanneer u het product hijst.
- Hijs het product niet op aan de handgreep, de motor, het chassis of andere onderdelen.
- Vervoer het product bij voorkeur op een pallet.
- Hijs het product altijd met een lift of vorkheftruck.
- Gebruik geen vorkheftruck als het product niet op een pallet of een slede staat. Dit kan schade aan de slijpschijven en andere interne componenten veroorzaken.
- Tijdens het transport moet de slijpkop op de vloer rusten. Om schade aan het vergrendelingsmechanisme van de schijfplaten te voorkomen, moeten de schijfplaten geïnstalleerd blijven.

## Product in de transportstand zetten

- Til het steunwiel omhoog. Zie *Het steunwiel in positie plaatsen voor transport over korte afstanden op pagina 190*.



- Klap de hendel naar beneden. Zie *De hendel en de handgreep verstellen op pagina 167*.
- Als de gewichten aan het product zijn bevestigd, verstel u de gewichten naar de voorste positie. Zie *De gewichten verstellen op pagina 180*.
- Zorg ervoor dat de slijpkop het oppervlak raakt.

## Steunwiel

Het steunwiel tilt de slijpkop een stukje van de grond om het transport over korte afstanden te vergemakkelijken.

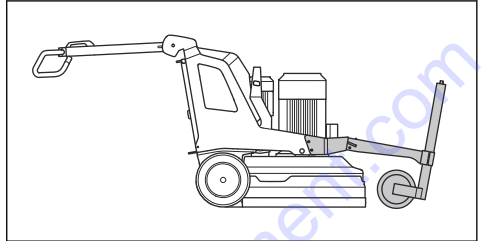


**OPGELET:** Gebruik het steunwiel alleen om het product over korte afstanden te verplaatsen. Het steunwiel mag alleen worden gebruikt in het werkgebied of bij verplaatsing in en uit een transportvoertuig.

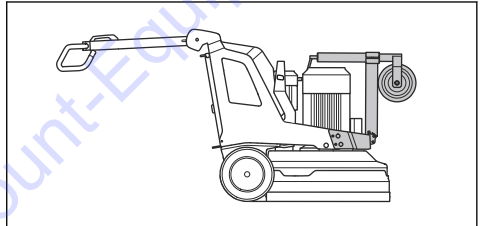


**WAARSCHUWING:** Wees voorzichtig bij het installeren, verwijderen of afstellen van het steunwiel. De bewegende delen kunnen letsel veroorzaken.

- Steunwielpositie voor transport over korte afstanden. Zie *Het steunwiel in positie plaatsen voor transport over korte afstanden op pagina 190*.

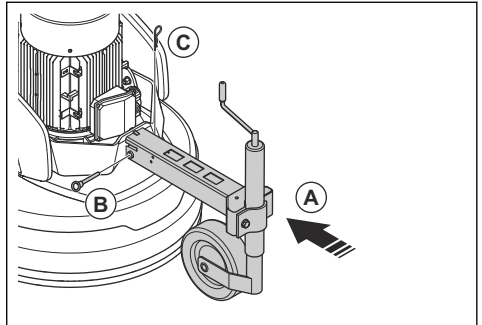


- Steunwielpositie voor bediening en transport over lange afstanden van het product. Zie *Steunwiel in de werkstand zetten op pagina 191*.



## Het steunwiel in positie plaatsen voor transport over korte afstanden

1. Plaats het steunwielframe (A) tegen het productframe.



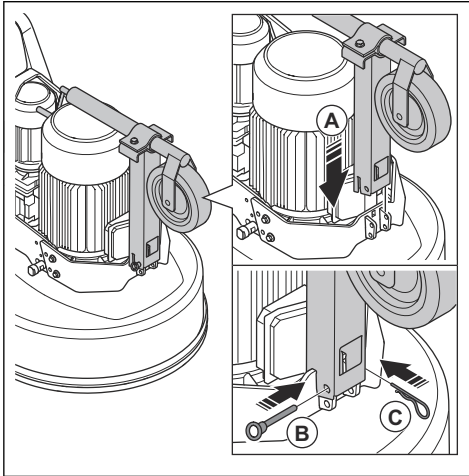
- a) Draai indien nodig de schroef aan de voorkant van het steunwielframe los om het wiel los te maken. Hierdoor kan het steunwielframe onder de juiste hoek tegen het productframe worden geplaatst.
2. Druk de steunwielen (B) in het steunwiel en vergrendel de steunwielen met de splitpen (C).

3. Verwijder het steunwiel in de omgekeerde volgorde.

### Steunwiel in de werkstand zetten

De werkstand wordt ook gebruikt voor transport over lange afstanden.

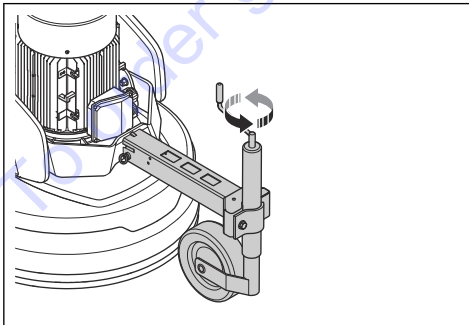
1. Zet het steunwiel in verticale stand.
2. Laat het steunwiel tegen het productframe (A) zakken.



3. Druk de steunwielen (B) in het steunwiel en vergrendel de steunwielen met de splitpen (C).
4. Verwijder het steunwiel in de omgekeerde volgorde.

### De hoogte van het steunwiel aanpassen

1. Zet het steunwiel in de positie voor korte transportafstanden. Zie *Het steunwiel in positie plaatsen voor transport over korte afstanden op pagina 190*.
2. Draai aan de hendel aan de voorkant van het steunwiel om het steunwiel op te tillen of te laten zakken.



### Het product verplaatsen met het steunwiel

1. Zet het steunwiel in de positie voor transport over korte afstanden. Zie *Het steunwiel in positie plaatsen voor transport over korte afstanden op pagina 190*.
2. Laat het steunwiel zakken om de slijkop van de grond te tillen. Zie *De hoogte van het steunwiel aanpassen op pagina 191*.
3. Verrijd het product handmatig of via de afstandsbediening.

### Het product een hellingbaan op en af laten gaan



**WAARSCHUWING:** Wees zeer voorzichtig wanneer u het product een hellingbaan op en af laat gaan met de motor ingeschakeld. Het product is zwaar en er bestaat gevaar voor letsel als het product te valt of te snel beweegt.



**WAARSCHUWING:** Gebruik altijd een lier voor steile hellingbanen. Loop of sta niet onder het product. Blijf niet in het risicogebied van het product staan. Zie *Veiligheid van het werkgebied op pagina 158*.



**WAARSCHUWING:** Beweeg het product niet op een helling omhoog of omlaag wanneer de accu van de afstandsbediening bijna leeg is. Het product kan dan een stroomstoring krijgen.



**WAARSCHUWING:** Werk niet met het product op steile hellingen. Kijk op het productplaatje voor informatie over de maximale hellingshoek.

- Als u het product van een hellingbaan af wilt laten rijden, rijd het product dan langzaam achteruit.
- Als u het product een hellingbaan op wilt laten rijden, rijd het product dan langzaam vooruit.
- Draai het product nooit meer dan 45° op een hellingbaan.

### Het product optillen



**WAARSCHUWING:** Zorg ervoor dat de hijsapparatuur de juiste specificaties heeft om het product veilig op te tillen. Het typeplaatje op het product geeft het gewicht van het product aan.



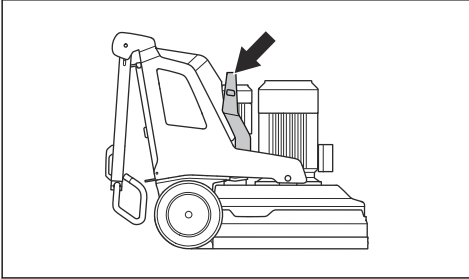
**WAARSCHUWING:** Loop nooit onder een opgeheven product door en blijf er niet onder of in de buurt staan. Houid omstanders uit de buurt van het

risicogebied. Zie *Veiligheid van het werkgebied op pagina 158*.



**WAARSCHUWING:** Hef een beschadigd product niet. Controleer of het hijs oog correct is aangebracht en niet beschadigd is.

1. Zet het product in de transportstand. Zie *Product in de transportstand zetten op pagina 190*.
2. Bevestig de hijsuitrusting door het hijs oog.



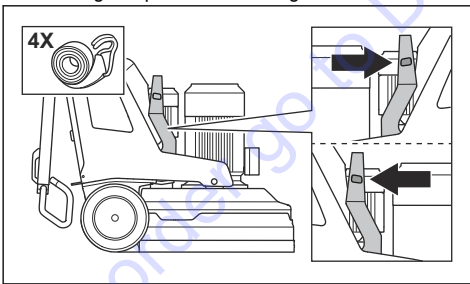
## Het product aan een transportvoertuig bevestigen



**OPGELET:** Bevestig het product niet via het steunwiel. Het steunwiel is niet stabiel genoeg en kan beschadigd raken.

Het product beschikt over gaten voor spanbanden om het product aan het transportvoertuig te bevestigen.

1. Bevestig de spanbanden in de gaten.



2. Bevestig de spanbanden aan het voertuig en haal deze aan.

## Opslag



**OPGELET:** Sla het product niet buiten op. Bewaar dit product altijd binnen.

- Bewaar het product in een droge en vorstvrije ruimte.

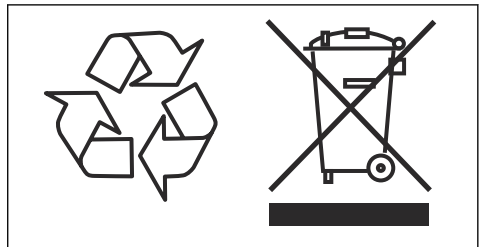
- Reinig het product en voer een volledige onderhoudsbeurt uit voordat u het product opslaat.
- Til het steunwiel omhoog. De slijpkop moet op de vloer rusten.
- Bewaar het product in een afgesloten ruimte om toegang door kinderen of onbevoegde personen te verhinderen.
- Bewaar de acculader in een droge en vorstvrije ruimte.
- Verwijder de afstandsbedieningsaccu uit de afstandsbediening wanneer het product langer dan 6 maanden wordt opgeslagen.
- Laad de accu van het product elke 6 maanden op wanneer het product voor langere tijd wordt opgeslagen.

## Afvoeren

Symbolen op het product of op de verpakking van het product geven aan dat dit product niet verwerkt mag worden als huishoudelijk afval. Het moet worden ingeleverd bij een geschikt inzamelstation voor het terugwinnen van elektrische en elektronische apparatuur.

Haal de stekker van het product uit het stopcontact en verwijder de batterijen uit de afstandsbediening voordat u het product op een geschikt recyclingpunt inlevert. Vergeet niet het recyclingpunt op de hoogte te stellen van het feit dat het product een lithium-ionaccu bevat. Lever de batterijen in op een geschikt recyclingpunt.

Als u ervoor zorgt dat dit product goed wordt verwerkt, helpt u mogelijk negatieve gevolgen voor het milieu en mensen door verkeerd afvalbeheer van dit product tegen te gaan. Neem voor meer informatie over het recyclen van dit product contact op met de gemeente, het afvalverwerkingsbedrijf of de winkel waar u het product hebt gekocht.



## Technische gegevens

### Technische gegevens

	<b>PG 690</b> <b>3x380-415 V</b>	<b>PG 690 RC</b> <b>3x380-415 V</b>	<b>PG 830</b> <b>3x380-415 V</b>	<b>PG 830 RC</b> <b>3x380-415 V</b>
Maximaal vermogen, kW/pk	12,5/17	12,5/17	16,5/22	16,5/22
Nominale stroom, A	30	30	30	30
Nominale spanning, V	380-415	380-415	380-415	380-415
Fasen	3-fasig	3-fasig	3-fasig	3-fasig
Frequentie, Hz	50-60	50-60	50-60	50-60
Gewicht, kg/lbs	502/1107	598/1318	556/1226	652/1437
Slijpbreedte, mm/in.	630/24,8	630/24,8	800/31,5	800/31,5
Slijpschijf, mm/inch	3x270/10,5	3x270/10,5	3x270/10,5	3x270/10,5
Slijpdruk, kg/lbs	228/503	242/534	288/635	302/666
Schuurdruk met steunwiel, kg/lbs	265/584	279/615	325/717	339/747
Gewicht in stand 1 (naar voren), kg/lbs	292/644	307/677	348/767	362/798
Gewicht in stand 1 (naar voren) met steunwiel, kg/lbs	329/725	343/756	385/849	399/880
Gewicht in stand 2 (verticaal), kg/lbs	227/500	237/522	299/659	313/690
Gewicht in stand 2 (verticaal) met steunwiel, kg/lbs	264/582	273/602	336/741	350/772
Gewicht in stand 3 (naar achteren), kg/lbs	185/408	198/437	245/540	259/571
Gewicht in stand 3 (naar achteren) met steunwiel, kg/lbs	221/487	235/518	282/622	296/653
Toerental slijpschijf, min./max. tpm	441-1470	441-1470	421-1403	421-1403
Toerental slijpkop, min./max. tpm	10-57	10-57	9-47	9-47
Draairichting	Onafhankelijke rotatierichting (rechtsom/linksom) van slijpschijven en slijpkop.			
Max. helling, graden °	10	10	10	10
Behuizing, IP	54	54	54	54
Type accu	-	Li-Ion	-	Li-Ion
<b>Aanbevolen stofzuiger<sup>16</sup></b>				

<sup>16</sup> De omschrijving die technische gegevens voor stofzuigers bieden verschaft onvoldoende duidelijkheid over de werkelijke prestaties in de loop van de tijd tussen de verschillende stofzuigers.

	PG 690 3x380-415 V	PG 690 RC 3x380-415 V	PG 830 3x380-415 V	PG 830 RC 3x380-415 V
Opzetstuk stofzuiger, mm/inch	76/3	76/3	76/3	76/3
Min. luchtstroming, m <sup>3</sup> /u/CFM	600/353	600/353	815/480	815/480
Min. vacuüm, kPa/psi	28/4,1	28/4,1	30/4,4	30/4,4
<b>Radiospectrum Bluetooth® Low Energy-technologie<sup>17</sup></b>				
Frequentiebanden voor het gereedschap, GHz	-	2,402-2,480	-	2,402-2,480
Maximaal overgebracht radiofrequentievermogen, dBm/mW	-	4/2,5	-	4/2,5

## Radiofrequentiegegevens

	PG 690 RC	PG 830 RC
Maximaal overgebracht radiofrequentievermogen, dBm	Minder dan 10	Minder dan 10

## Geluidsniveau

	PG 690	PG 690 RC	PG 830	PG 830 RC
<b>Geluidsemissies<sup>18</sup></b>				
Geluidsvermogeniveau, gemeten L <sub>W</sub> (dB(A))	93,7	93,7	95,4	95,4
<b>Geluidsniveau<sup>19</sup></b>				
Geluidsdruk niveau bij het oor van de gebruiker, L <sub>p</sub> (dB(A))	77,9	77,9	78,7	78,7
<b>Trillingsniveau<sup>20</sup></b>				
Handgreep rechts, m/s <sup>2</sup>	2,2	2,2	1,7	1,7
Handgreep links, m/s <sup>2</sup>	2,1	2,1	1,5	1,5

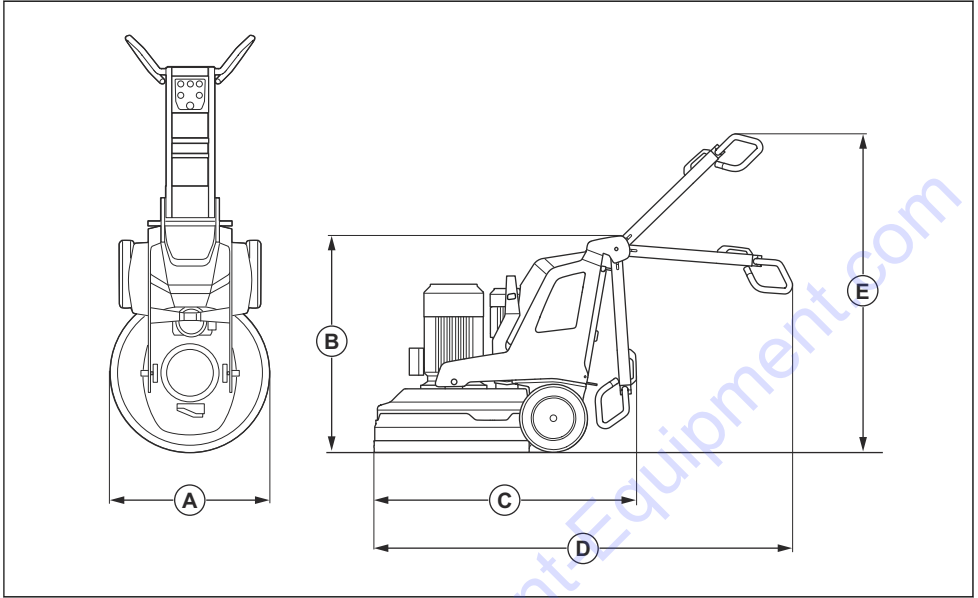
<sup>17</sup> Dit onderdeel is alleen van toepassing op producten die worden geleverd met geïntegreerde connectiviteit.

<sup>18</sup> Geluidsemissie naar de omgeving gemeten als geluidsvermogen volgens EN 60335-2-72. Verwachte onzekerheidsmarge 2,5 dB(A).

<sup>19</sup> Geluidsdruk niveau volgens EN 60335-2-72. Verwachte onzekerheidsmarge 4 dB(A).

<sup>20</sup> Trillingsniveau volgens EN 60335-1 en EN 60335-2-72. De gerapporteerde gegevens voor een trillingsniveau vertonen een typische statistische spreiding (standaardafwijking) van 1 m/s<sup>2</sup>. De vibratiewaarden zijn geldig voor handmatige bediening.

## Productafmetingen



		PG 690	PG 690 RC	PG 830	PG 830 RC
<b>A</b>	Breedte, mm/inch	670/26,4	670/26,4	830/32,7	830/32,7
<b>B</b>	Min. totale hoogte (hendel ingeklapt), mm/inch	1150/45,3	1155/45,5	1145/45,1	1155/45,5
<b>C</b>	Max. totale lengte (hendel ingeklapt), mm/inch	1300/51,2	1320/52	1550/61	1410/55,5
<b>D</b>	Max. totale lengte (hendel uitgetrokken), mm/inch	2065/81,3	2077/81,8	2215/87,2	2165/85,2
<b>E</b>	Max. totale lengte (hendel uitgetrokken), mm/inch	1755/69,1	1715/67,5	1700/66,9	1715/67,5

---

## EG verklaring van overeenstemming

---

### EG verklaring van overeenstemming

Beschrijving	Polijst- en slijpparaatuur
Merk	Husqvarna
Type/model	PG 690, PG 830
Identificatie	Serienummers vanaf 2019 en verder

volledig voldoet aan de volgende EU-richtlijnen en -regelgeving:

Richtlijn/Verordening	Beschrijving
2006/42/EC	"betreffende machines"

en dat de volgende geharmoniseerde normen en/of technische specificaties zijn toegepast:

EN ISO 12100:2010

EN 60335-1:2012/A11:2014/AC:2014

EN 60335-2-72:2012

Partille, 2019-10-17



---

## EG verklaring van overeenstemming

---

### EG verklaring van overeenstemming

Beschrijving	Polijst- en slijpparaatuur
Merk	Husqvarna
Type/model	PG 690 RC, PG 830 RC
Identificatie	Serienummers vanaf 2019 en verder

volledig voldoet aan de volgende EU-richtlijnen en -regelgeving:

Richtlijn/Verordening	Beschrijving
2006/42/EC	"betreffende machines"
2014/53/EU	"betreffende radioapparatuur"

en dat de volgende geharmoniseerde normen en/of technische specificaties zijn toegepast:

EN ISO 12100:2010

EN 60335-1:2012/A11:2014/AC:2014

EN 60335-2-72:2012

EN IEC 61000-6-2:2019

EN 61000-6-4:2007+A1:2011

ETSI EN 301 489-1 V2.2.0

ETSI EN 301 489-17 V3.2.0

ETSI EN 300 328 V2.1.1

Partille, 2019-10-17



To order go to [Discount-Equipment.com](http://Discount-Equipment.com)

Original instructions  
Originalanweisungen  
Instructions d'origine  
Originele instructies

1141351-20



2020-10-13 Rev 2

**TO PURCHASE THIS PRODUCT PLEASE CONTACT US**



**Equipment Financing and  
Extended Warranties Available**



**Discount-Equipment.com is your online resource for  
commercial and industrial quality parts and equipment sales.**

**561-964-4949**

**visit us on line @ [www.discount-equipment.com](http://www.discount-equipment.com)**

Select an option below to find your Equipment

**Search by Manufacturer**

**Search by Product Type**

**Request a Quote**

We sell worldwide for the brands: Genie, Terex, JLG, MultiQuip, Mikasa, Essick, Whiteman, Mayco, Toro Stone, Diamond Products, Generac Magnum, Airman, Haulotte, Barreto, Power Blanket, Nifty Lift, Atlas Copco, Chicago Pneumatic, Allmand, Miller Curber, Skyjack, Lull, Skytrak, Tsurumi, Husquvarna Target, Stow, Wacker, Sakai, Mi-T-M, Sullair, Basic, Dynapac, MBW, Weber, Bartell, Bennar Newman, Haulotte, Ditch Runner, Menegotti, Morrison, Contec, Buddy, Crown, Edco, Wyco, Bomag, Laymor, EZ Trench, Bil-Jax, F.S. Curtis, Gehl Pavers, Heli, Honda, ICS/PowerGrit, IHI, Partner, Imer, Clipper, MMD, Koshin, Rice, CH&E, General Equipment, Amida, Coleman, NAC, Gradall, Square Shooter, Kent, Stanley, Tamco, Toku, Hatz, Kohler, Robin, Wisconsin, Northrock, Oztec, Toker TK, Rol-Air, APT, Wylie, Ingersoll Rand / Doosan, Innovatech, Con X, Ammann, Mecalac, Makinex, Smith Surface Prep, Small Line, Wanco, Yanmar