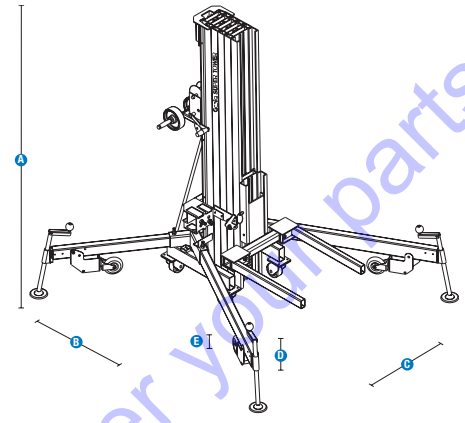


# Genie® Super Tower™ ST™ -20 & ST-25

## Specifications

Models	ST-20		ST-25	
	US	Metric	US	Metric
<b>Measurements</b>				
Working height - forks up	21 ft 2.5 in	6.46 m	26 ft .5 in	7.94 m
Working height - forks down	19 ft 6 in	5.94 m	24 ft 4 in	7.42 m
<b>A</b> Height - stowed	6 ft 6.75 in	2.0 m	6 ft 6.75 in	2.0 m
<b>B</b> Standard base Length - stowed	2 ft 1.25 in	0.64 m	2 ft 1.25 in	0.64 m
<b>C</b> Width - stowed	1 ft 10 in	0.56 m	1 ft 10 in	0.56 m
<b>Productivity</b>				
18 in (46 cm) load center	800 lb	364 kg	650 lb	295 kg
20 in (51 cm) load center	733 lb	333 kg	583 lb	265 kg
22 in (56 cm) load center	667 lb	303 kg	517 lb	235 kg
24 in (61 cm) load center	600 lb	273 kg	450 lb	205 kg
<b>E</b> Ground clearance	2 in	0.05 m	2 in	0.05 m
<b>D</b> Load height min.	6 in	0.15 m	6 in	0.15 m
Length - adjustable forks	27.5 in	0.70 m	27.5 in	0.70 m
Width - adjustable forks (inside)	11.5 - 30 in	.29 - .76 m	11.5 - 30 in	.29 - .76 m
Fork extensions detached each (l/w/d)	30/2/3 in; 4.5 lb	76/5/8 cm; 2 kg	30/2/3 in; 4.5 lb	76/5/8 cm; 2 kg
Fork extensions attached each (l/w/d)	25/2/3 in; 4.5 lb	64/5/8 cm; 2 kg	25/2/3 in; 4.5 lb	64/5/8 cm; 2 kg
Weight - adjustable forks	52.5 lb	24 kg	52.5 lb	24 kg
Outrigger footprint	73.5×79.5 in	1.87×2.02 m	73.5×79.5 in	1.87×2.02 m
Casters (standard casters)	+			
<b>Power</b>				
Average cranks - per length unitStandard winch - carriage moving	12.5/ft	41/m	12.5/ft	41/m
Standard winch - mast moving	5.5/ft	18/m	5.5/ft	18/m
<b>Weight and Floor Loading</b>				
Weight	507 lb	230 kg	555 lb	252 kg



Go to Discount-Equipment.com to order your parts



[www.discount-equipment.com](http://www.discount-equipment.com)

# Genie® Super Tower™ ST™ -20 & ST-25

**SKU: Standard Model**

- **ST200001A00001:** Super Tower, ST-20
- **ST250001A00001:** Super Tower, ST-25

\* Build to Order

Option availability		S	S+	BtO
Chassis	Portable compact design for easy transport and storage	✓	✓	✓
	Position swivel-lock casters	✓	✓	✓
	Quick setup requires no tools	✓	✓	✓
	Rolls easily through single door	✓	✓	✓
Mast	Durable adjustable width steel forks	✓	✓	✓
	Flat black anodized finish	✓	✓	✓
	Lightweight design for easy transport	✓	✓	✓
	One-speed manual winch, locks load in place	✓	✓	✓
	Reversible winch handle for easy storage	✓	✓	✓
Attachments	Transport carriage lock	✓	✓	✓
	Fork extensions		✓	
	Load platform		✓	

- S Standard
- S+ Standard +
- BtO Build to Order
- ✓ Standard Features
- Options



Quick Setup



Truck Portable



Entertainment



Genie Genuine Accessories<sup>(1)</sup>

(1) More accessories available from Genie Genuine Parts.



[www.discount-equipment.com](http://www.discount-equipment.com)

Product specifications are subject to change without notice or obligation. Photographs and/or drawings herein are for illustrative purposes only. Refer to the appropriate Operator's Manual for instructions on proper equipment use. Failure to follow instructions in the Operator's Manual may result in serious injury or death. The only warranty applicable to our equipment is the standard written warranty applicable to the particular product and sale and we make no other warranty, express or implied. Products and services listed may be trademarks, service marks or trade names of Terex Corporation and/or their subsidiaries in the USA and many other countries. Terex, Genie, Xtra Capacity, Lift Power, Lift Guard, Lift Tools, Lift Connect and Tech Pro Link are registered trademarks of Terex Corporation or its subsidiaries.

Updated 11/21



A TEREX BRAND  
© 2021 Terex Corporation



**TO PURCHASE THIS PRODUCT PLEASE CONTACT US**



**Equipment Financing and  
Extended Warranties Available**



**Discount-Equipment.com is your online resource for  
commercial and industrial quality parts and equipment sales.**

**561-964-4949**

**visit us on line @ [www.discount-equipment.com](http://www.discount-equipment.com)**

Select an option below to find your Equipment

**Search by Manufacturer**

**Search by Product Type**

**Request a Quote**

We sell worldwide for the brands: Genie, Terex, JLG, MultiQuip, Mikasa, Essick, Whiteman, Mayco, Toro Stone, Diamond Products, Generac Magnum, Airman, Haulotte, Barreto, Power Blanket, Nifty Lift, Atlas Copco, Chicago Pneumatic, Allmand, Miller Curber, Skyjack, Lull, Skytrak, Tsurumi, Husquvarna Target, Stow, Wacker, Sakai, Mi-T-M, Sullair, Basic, Dynapac, MBW, Weber, Bartell, Bennar Newman, Haulotte, Ditch Runner, Menegotti, Morrison, Contec, Buddy, Crown, Edco, Wyco, Bomag, Laymor, EZ Trench, Bil-Jax, F.S. Curtis, Gehl Pavers, Heli, Honda, ICS/PowerGrit, IHI, Partner, Imer, Clipper, MMD, Koshin, Rice, CH&E, General Equipment, Amida, Coleman, NAC, Gradall, Square Shooter, Kent, Stanley, Tamco, Toku, Hatz, Kohler, Robin, Wisconsin, Northrock, Oztec, Toker TK, Rol-Air, APT, Wylie, Ingersoll Rand / Doosan, Innovatech, Con X, Ammann, Mecalac, Makinex, Smith Surface Prep, Small Line, Wanco, Yanmar