

Genie® Superlift Contractor® SLC™-12, SLC-18 & SLC-24

Specifications

| Models | SLC-12 | | SLC-18 | | SLC-24 | |
|--|-------------------------|--------|-------------------------|--------|-------------------------|--------|
| Measurements | US | METRIC | US | METRIC | US | METRIC |
| Working height - standard forks (forks down) | 11 ft 2 in | 3.40 m | 16 ft 9 in | 5.10 m | 22 ft 3 in | 6.78 m |
| Working height - standard forks (forks up) | 12 ft 11 in | 3.94 m | 18 ft 6 in | 5.64 m | 24 ft | 7.32 m |
| Working height - adjustable forks (forks down) | 11 ft 2 in | 3.40 m | 16 ft 9 in | 5.10 m | 22 ft 3 in | 6.78 m |
| Working height - adjustable forks (forks up) | 12 ft 11 in | 3.94 m | 18 ft 6 in | 5.64 m | 24 ft | 7.32 m |
| Working height - boom ⁽²⁾ | 12 ft 2 in | 3.70 m | 17 ft 9 in | 5.41 m | 23 ft 3 in | 7.10 m |
| A Height - stowed | 7 ft 2 in | 2.18 m | 7 ft 2 in | 2.18 m | 7 ft 2 in | 2.18 m |
| B Standard base Length - stowed | 2 ft 10 in | 0.86 m | 2 ft 10 in | 0.86 m | 2 ft 10 in | 0.86 m |
| C Standard base Length - operating | 5 ft 3 in | 1.60 m | 6 ft 1 in | 1.85 m | 6 ft 9 in | 2.06 m |
| D Width - stowed ⁽¹⁾ | 2 ft 7.5 in | 0.80 m | 2 ft 7.5 in | 0.80 m | 2 ft 7.5 in | 0.80 m |
| Width - with stabilizers lowered | 5 ft 6 in | 1.68 m | 5 ft 6 in | 1.68 m | 5 ft 6 in | 1.68 m |
| E Ground clearance | 2 in | 5 cm | 2 in | 5 cm | 2 in | 5 cm |
| F Mast tilt angle | 2.5° - 3° - 3.5° - 4.5° | | 2.5° - 3° - 3.5° - 4.5° | | 2.5° - 3° - 3.5° - 4.5° | |
| G Load height min. | 6 in | 15 cm | 6 in | 15 cm | 6 in | 15 cm |

Productivity

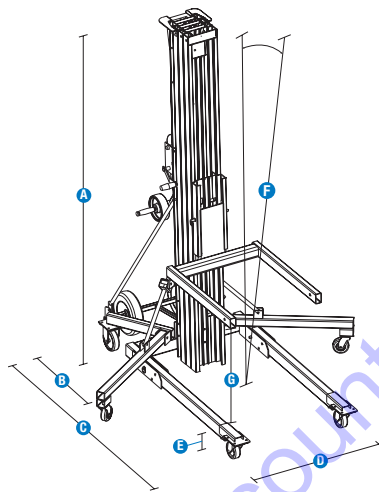
| | | | | | | |
|---|--------|--------|--------|--------|--------|--------|
| Load capacity at 14 in (36 cm) load center | 650 lb | 295 kg | 650 lb | 295 kg | 650 lb | 295 kg |
| Load capacity at 24 in (61 cm) load center | 425 lb | 193 kg | 425 lb | 193 kg | 425 lb | 193 kg |
| Load capacity at 42 in (107 cm) load center | 180 lb | 82 kg | 160 lb | 73 kg | 160 lb | 73 kg |

Power

| | | | | | | |
|----------------------------------|----------|-------|----------|-------|----------|-------|
| Average cranks - per length unit | 12.5/ ft | 41/ m | 12.5/ ft | 41/ m | 12.5/ ft | 41/ m |
| Standard winch - carriage moving | 12.5/ ft | 41/ m | 12.5/ ft | 41/ m | 12.5/ ft | 41/ m |
| Standard winch - mast moving | 5.5/ ft | 18/ m | 5.5/ ft | 18/ m | 5.5/ ft | 18/ m |

Weight and Floor Loading

| | | | | | | |
|--------|--------|--------|--------|--------|--------|--------|
| Weight | 225 lb | 102 kg | 307 lb | 139 kg | 347 lb | 157 kg |
|--------|--------|--------|--------|--------|--------|--------|



| Load Handling Attachments | Dimensions | | Weight | |
|--|----------------------|----------------------|---------|--------|
| | US | METRIC | US | METRIC |
| Standard forks assembly (l/w/d) ⁽³⁾ | 28/23/2.5 in | 71/58/6 cm | 26.5 lb | 12 kg |
| Standard fork size (each) | 2.5/1.5 in | 6/4 cm | — | — |
| Adjustable forks assembly (l/w/d) ^{(3) (4)} | 27.5/24-30/2.5 in | 70/61-76/6 cm | 52.5 lb | 24 kg |
| Adjustable fork size max (each) | 3.0/1.5 in | 7/4 cm | — | — |
| Fork extensions detached (each) (l/w/d) ^{(3) (4)} | 30/2/3 in | 76/5/8 cm | 4.5 lb | 2 kg |
| Fork extension attached (each) (l/w/d) ^{(3) (4)} | 35/2/3 in | 64/5/8 cm | 4.5 lb | 2 kg |
| Boom (l/w/d) ^{(3) (4)} | 18,24,32,44/1.5/6 in | 46,61,81,112/4/15 cm | 39.9 lb | 18 kg |
| Load platform (l/w/d) ^{(3) (4)} | 26.3/23/2.5 in | 67/58/6 cm | 23.8 lb | 11 kg |

(1) Outside dimensions.

(2) For use with standard and adjustable forks only.

(3) Measured from ground to bottom of shackle.

(4) Length/width/depth, from end of carriage and outside of forks

Genie® Superlift Contractor® SLC™ -12, SLC-18 & SLC-24

SKU: Standard Model

- **SLC12001A00001:** SLC-12
- **SLC18001A00001:** SLC-18, Stabilizer set
- **SLC24001A00002:** SLC-24, Stabilizer set

* Build to Order

| Option availability | S | S+ | BtO |
|---|---|----|-----|
| Chassis | | | |
| Heavy-duty design | ✓ | ✓ | ✓ |
| Portable compact design for easy transport and storage | ✓ | ✓ | ✓ |
| Quick setup requires no tools | ✓ | ✓ | ✓ |
| Rear transport wheel assembly | ✓ | ✓ | ✓ |
| Rolls easily through single door | ✓ | ✓ | ✓ |
| Stabilizer set (standard on SLC-18, SLC-24, not on Straddle base) | | | ○ |
| Mast | | | |
| Mast brake | | | ○ |
| Glide rails allow easy loading and unloading | ✓ | ✓ | ✓ |
| One-speed manual winch, locks load in place | ✓ | ✓ | ✓ |
| Patented telescoping mast system | ✓ | ✓ | ✓ |
| Strong and lightweight aluminum telescoping mast | ✓ | ✓ | ✓ |
| Transport carriage lock | ✓ | ✓ | ✓ |
| Two speed winch (not available on SLC-12) | | | ○ |
| Wheels | | | |
| 4in/10cm non-marking front casters | ✓ | ✓ | ✓ |
| 5in/12cm rear casters with side brakes | ✓ | ✓ | ✓ |
| Attachments | | | |
| Load platform | | ○ | ○ |
| Durable standard steel forks | ✓ | ✓ | ○ |
| Adjustable width forks | | ○ | ○ |
| Boom | | ○ | ○ |
| Fork extensions | | ○ | ○ |
| Pipe cradle (available aftermarket only) | | ○ | ○ |

- S Standard
- S+ Standard +
- BtO Build to Order
- ✓ Standard Features
- Options



Quick Setup



Truck Portable



Material Handling Attachments



Genie Genuine Accessories⁽¹⁾

(1) More accessories available from Genie Genuine Parts.



www.discount-equipment.com

Product specifications are subject to change without notice or obligation. Photographs and/or drawings herein are for illustrative purposes only. Refer to the appropriate Operator's Manual for instructions on proper equipment use. Failure to follow instructions in the Operator's Manual may result in serious injury or death. The only warranty applicable to our equipment is the standard written warranty applicable to the particular product and sale and we make no other warranty, express or implied. Products and services listed may be trademarks, service marks or trade names of Terex Corporation and/or their subsidiaries in the USA and many other countries. Terex, Genie, Xtra Capacity, Lift Power, Lift Guard, Lift Tools, Lift Connect and Tech Pro Link are registered trademarks of Terex Corporation or its subsidiaries.



TO PURCHASE THIS PRODUCT PLEASE CONTACT US



**Equipment Financing and
Extended Warranties Available**



**Discount-Equipment.com is your online resource for
commercial and industrial quality parts and equipment sales.**

561-964-4949

visit us on line @ www.discount-equipment.com

Select an option below to find your Equipment

Search by Manufacturer

Search by Product Type

Request a Quote

We sell worldwide for the brands: Genie, Terex, JLG, MultiQuip, Mikasa, Essick, Whiteman, Mayco, Toro Stone, Diamond Products, Generac Magnum, Airman, Haulotte, Barreto, Power Blanket, Nifty Lift, Atlas Copco, Chicago Pneumatic, Allmand, Miller Curber, Skyjack, Lull, Skytrak, Tsurumi, Husquvarna Target, Stow, Wacker, Sakai, Mi-T-M, Sullair, Basic, Dynapac, MBW, Weber, Bartell, Bennar Newman, Haulotte, Ditch Runner, Menegotti, Morrison, Contec, Buddy, Crown, Edco, Wyco, Bomag, Laymor, EZ Trench, Bil-Jax, F.S. Curtis, Gehl Pavers, Heli, Honda, ICS/PowerGrit, IHI, Partner, Imer, Clipper, MMD, Koshin, Rice, CH&E, General Equipment, Amida, Coleman, NAC, Gradall, Square Shooter, Kent, Stanley, Tamco, Toku, Hatz, Kohler, Robin, Wisconsin, Northrock, Oztec, Toker TK, Rol-Air, APT, Wylie, Ingersoll Rand / Doosan, Innovatech, Con X, Ammann, Mecalac, Makinex, Smith Surface Prep, Small Line, Wanco, Yanmar