



SPARE PARTS LIST

EARLY ENTRY SAWS

SOFF CUT 2000, 2020-08

Go to Discount-Equipment.com to order your parts



PARTS FINDER

**Search Website
by Part Number**



**Search Manual
Library For Parts
Manual & Lookup Part
Numbers – Purchase
or Request Quote**

Search Manuals

Enter your information to help us find the right parts manual for your machine.

* Brand:

* Model:

* Serial:

* Part Number:

SEARCH

**Can't Find Part or
Manual? Request Help
by Manufacturer,
Model & Description**

Parts Order Form

Please fill in the following information to help us find the right part for your machine.

Manufacturer:	<input type="text"/>
Model:	<input type="text"/>
Description:	<input type="text"/>
Part Number:	<input type="text"/>
Quantity:	<input type="text"/>
Notes:	<input type="text"/>

Submit

Discount-Equipment.com is your online resource for quality parts & equipment.

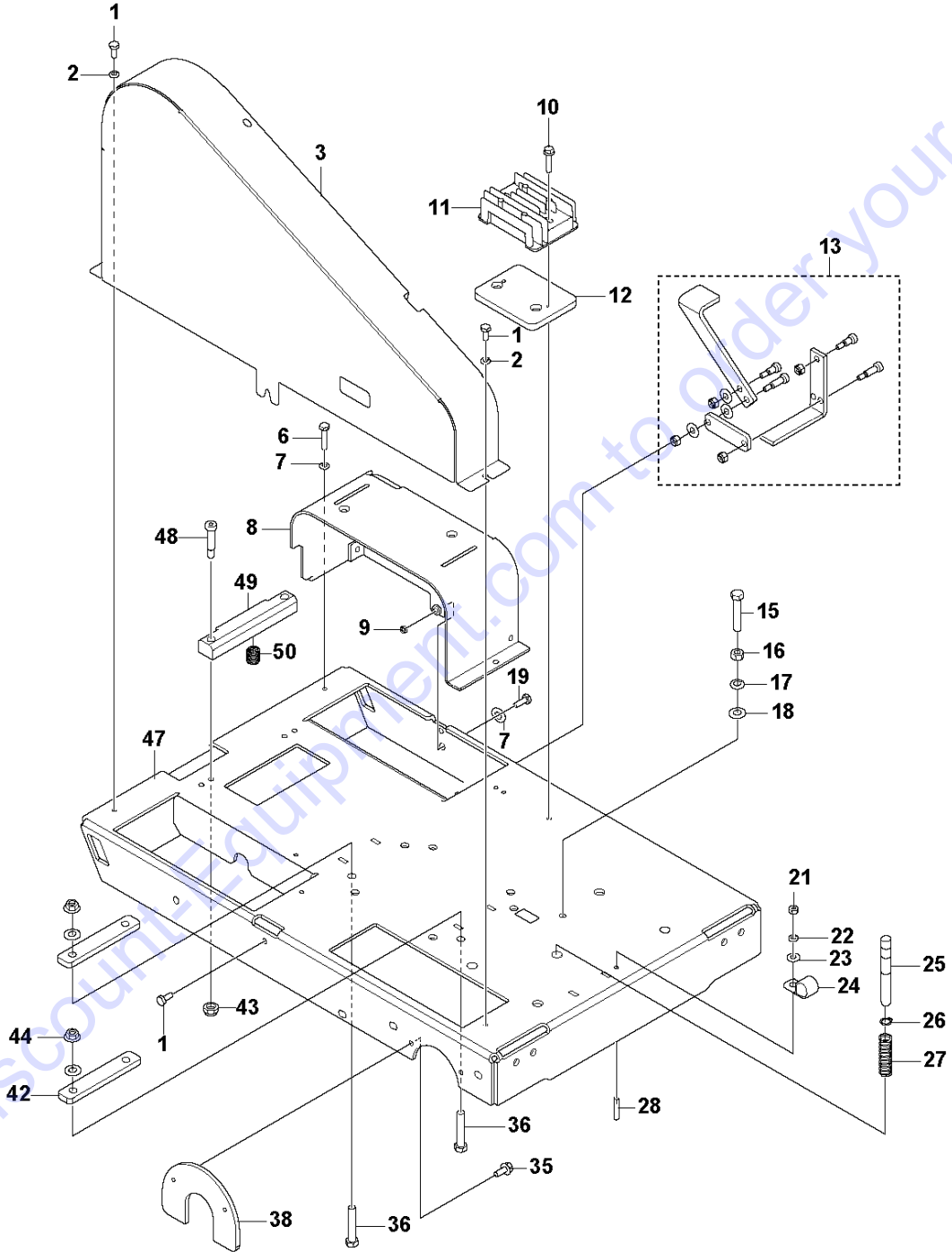
Florida: **561-964-4949** Outside Florida TOLL FREE: **877-690-3101**

Need parts?

Click on this link: <http://www.discount-equipment.com/category/5443-parts/> and choose one of the options to help get the right parts and equipment you are looking for. Please have the machine model and serial number available in order to help us get you the correct parts. If you don't find the part on the website or on one of the online manuals, please fill out the request form and one of our experienced staff members will get back to you with a quote for the right part that your machine needs.

We sell worldwide for the brands: Genie, Terex, JLG, MultiQuip, Mikasa, Essick, Whiteman, Mayco, Toro Stone, Diamond Products, Generac Magnum, Airman, Haulotte, Barreto, Power Blanket, Nifty Lift, Atlas Copco, Chicago Pneumatic, Allmand, Miller Curber, Skyjack, Lull, Skytrak, Tsurumi, Husquvarna Target, Stow, Wacker, Sakai, Mi-T-M, Sullair, Basic, Dynapac, MBW, Weber, Bartell, Bennar Newman, Haulotte, Ditch Runner, Menegotti, Morrison, Contec, Buddy, Crown, Edco, Wyco, Bomag, Laymor, EZ Trench, Bil-Jax, F.S. Curtis, Gehl Pavers, Heli, Honda, ICS/PowerGrit, IHI, Partner, Imer, Clipper, MMD, Koshin, Rice, CH&E, General Equipment, Amida, Coleman, NAC, Gradall, Square Shooter, Kent, Stanley, Tamco, Toku, Hatz, Kohler, Robin, Wisconsin, Northrock, Oztec, Toker TK, Rol-Air, APT, Wylie, Ingersoll Rand / Doosan, Innovatech, Con X, Ammann, Mecalac, Makinex, Smith Surface Prep, Small Line, Wanco, Yanmar

A SOFF CUT 2000
FRAME

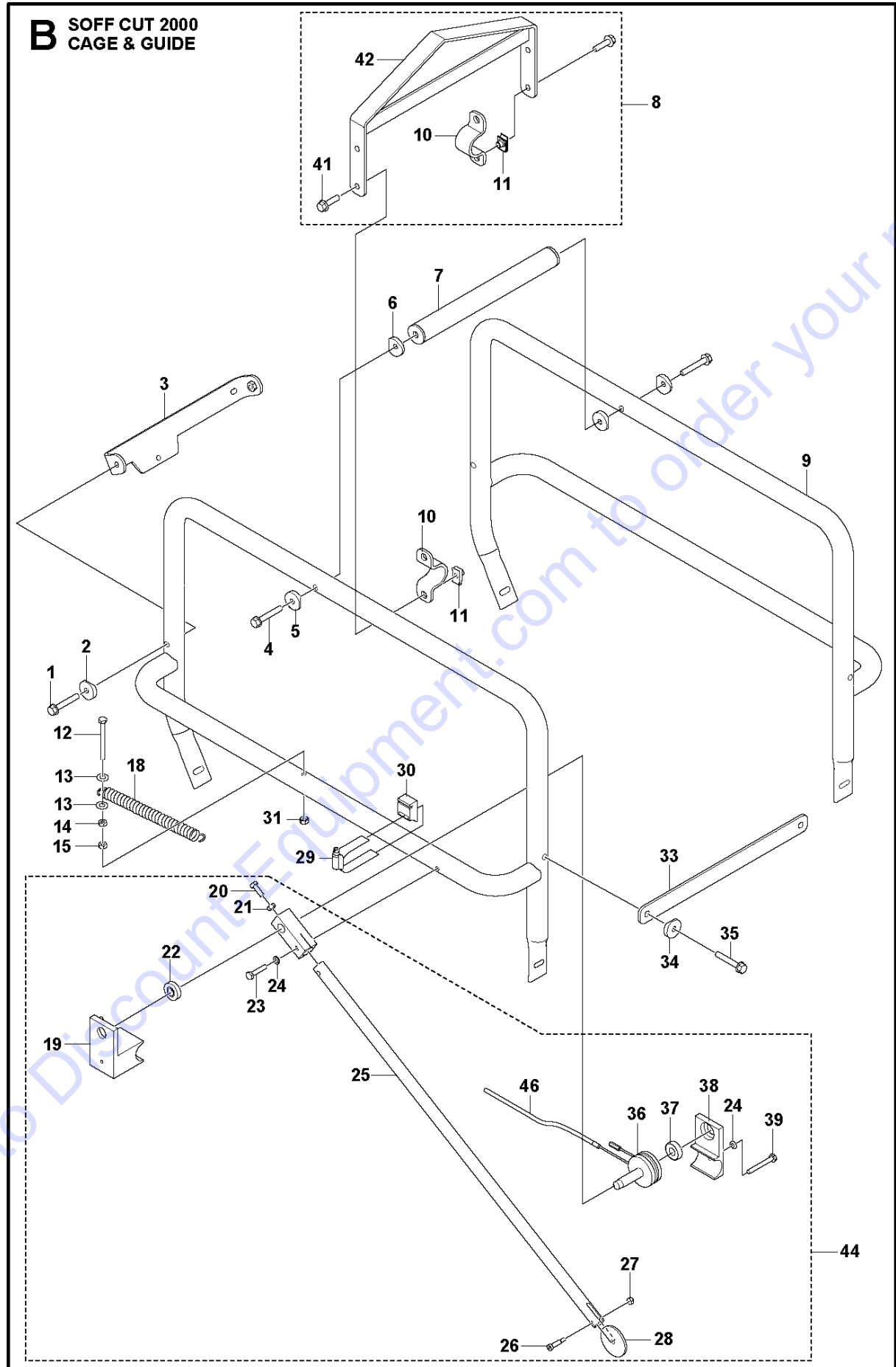


FRAME

SOFF CUT 2000, 2020-08

Ref	Part No	Description	Remark	QTY KIT
1	505 62 74-01	BOLT		3
2	505 63 28-01	WASHER		2
3	582 02 43-01	BELT GUARD		1
6	505 92 75-01	SPARE PARTS		2
7	505 63 28-01	WASHER		3
8	505 81 78-01	WHEEL COVER		1
9	539 97 69-78	NUT		1
10	725 23 74-71	SCREW EHHM		2
11	505 82 58-01	REGULATOR		1
12	591 37 58-01	PLATE		1
13	529440901	TBD		1
15	505 83 31-01	BOLT		1
16	505 83 86-01	NUT		1
17	505 73 10-01	WASHER		5
18	505 72 46-01	FLAT WASH 3/8 STL CAD		10
19	505 62 74-01	BOLT		1
21	505 63 19-01	NUT		4
22	505 63 28-01	WASHER		1
23	505 63 20-01	WASHER		4
24	505 74 87-01	CBL CLAMP 3/8"		3
25	505 81 69-01	SHAFT		1
26	505 64 78-01	SNAP RING		1
27	505 83 42-01	SPRING		1
28	505 77 45-01	ANCHOR		3
35	590 96 06-01	SCREW		2
38	505 81 57-01	BELT		1
42	501 07 99-01	PLATE		2
43	505 63 17-01	NUT		2
44	576 64 57-05	NUT FLANGE		4
47	582 10 07-01	FRAME ASSY		1
48	505 83 35-01	BOLT		2
49	505 83 19-01	BLOCK		1
50	505 82 40-01	SPRING		3

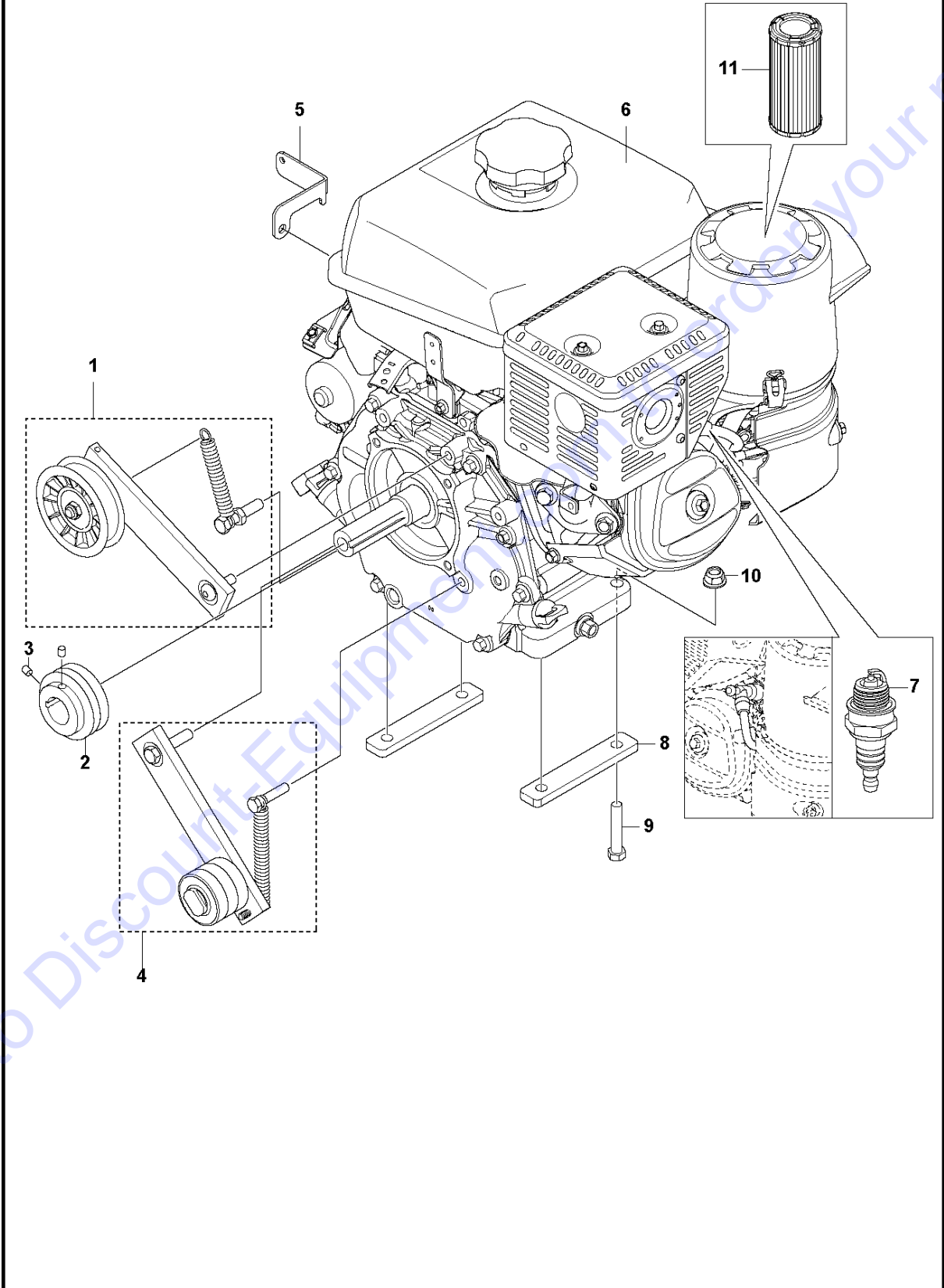
Go to Discount-Equipment.com to order your parts



Ref	Part No	Description	Remark	QTY	KIT
1	503 20 00-31	SCREW EHHFM		6	
2	542 20 21-84	WASHER		8	
3	591 37 59-01	BRACKET		1	
7	589 57 96-01	PIPE ASSY		1	
8	529 34 65-01	BAIL		1	
9	582 14 11-01	FRAME ASSY		1	
10	579 76 26-01	LOCKING PLATE		2	8
11	542 16 75-55	NUT		4	8
12	505 72 80-01	BOLT		1	
13	539 99 01-88	WASHER		2	
14	539 97 69-78	NUT		2	
15	505 63 19-01	NUT		2	
18	505 73 73-01	SPRING		1	
19	505 81 64-01	BLOCK		1	44
20	505 62 75-01	BOLT		1	44
22	505 65 48-01	BALL BEARING		2	44
23	505 72 83-01	BOLT		1	44
24	505 63 28-01	WASHER		2	44
25	505 67 73-01	GUIDE		1	44
26	505 72 58-01	BOLT		1	44
27	505 63 04-01	NUT		1	44
28	505 61 42-01	DISC		1	44
29	505 82 25-01	CLAMP		1	
30	505 81 92-01	BLOCK		1	
33	591 37 57-01	REINFORCEMENT PLATE		1	
36	505 81 61-01	GUIDE		1	44
38	505 81 63-01	BLOCK		1	44
39	505 72 81-01	BOLT		1	44
40	582 14 03-01	FRAME ASSY		1	
41	585 97 28-01	SCREW EHHFM		2	8
42	579 76 25-01	BRACKET		1	8
44	529 34 66-01	GUIDE		1	
45	505 81 62-01	ARM		1	44
46	505 82 31-01	GUIDE		1	

Go to Discount-Equipment.com to order your parts

C SOFF CUT 2000
ENGINE



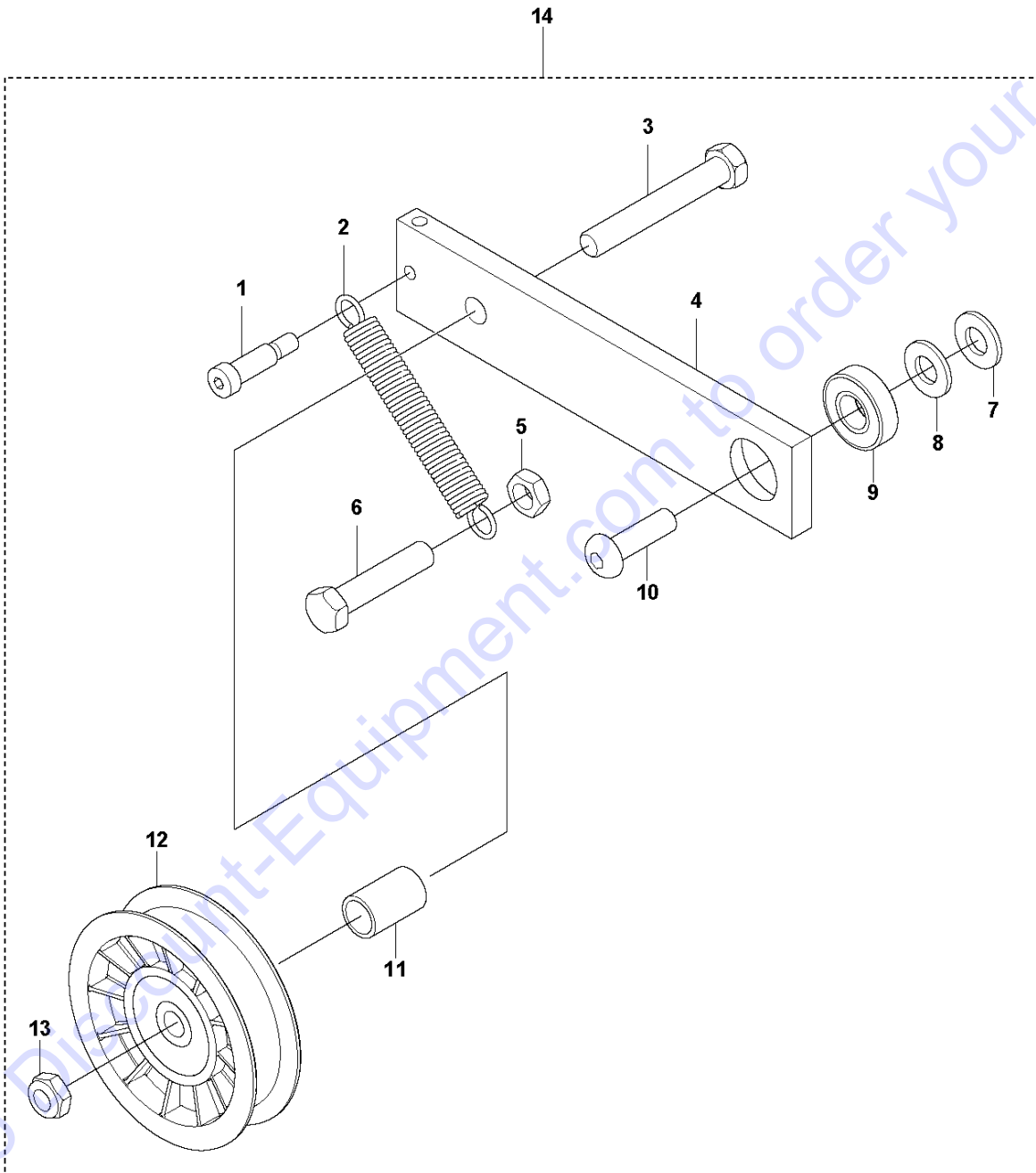
ENGINE

SOFF CUT 2000, 2020-08

Ref	Part No	Description	Remark	QTY KIT
2	542 13 96-83	PULLEY		1
3	542 02 05-68	SCREW		2
4	593847801	TBD		1
5	592 98 55-01	BRACKET		1
6	592 89 93-01	ENGINE		1
7	593 13 24-01	SPARK PLUG		1
8	501 07 99-01	PLATE		2
10	576 64 57-05	NUT FLANGE		4
11	598939201	TBD		1

Go to Discount-Equipment.com to order your parts

D SOFF CUT 2000
PUMP IDLER PULLEY



Go to DillardsEquipment.com to order your parts

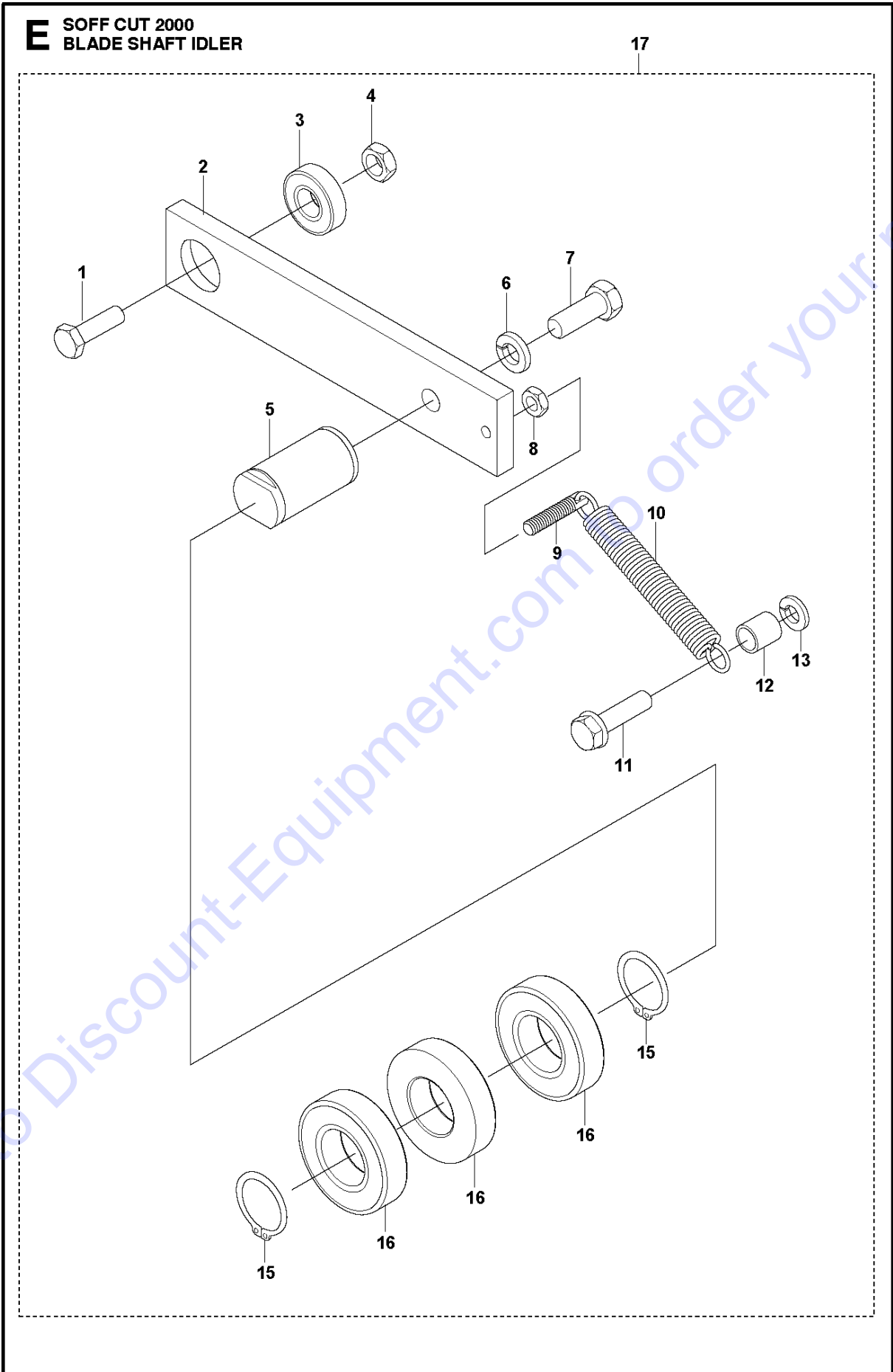
PUMP IDLER PULLEY

SOFF CUT 2000, 2020-08

Ref	Part No	Description	Remark	QTY	KIT
1	505 72 65-01	BOLT		1	14
2	542 19 91-28	SPRING		1	14
3	539 99 06-37	SCREW		1	14
4	594 06 03-01	ARM		1	14
5	505 73 25-01	NUT		1	14
6	539 97 69-49	BOLT		1	14
7	539 99 01-22	WASHER		2	14
9	501605501	TBD		1	14
10	574 19 11-01	SCREW		1	14
11	593833401	TBD		1	14
12	542 17 25-56	PULLEY ASSY		1	14
13	539 30 07-70	NLA NUT 3/8-16 JAM NYLOC		1	14

Go to Discount-Equipment.com to order your parts

E SOFF CUT 2000
BLADE SHAFT IDLER



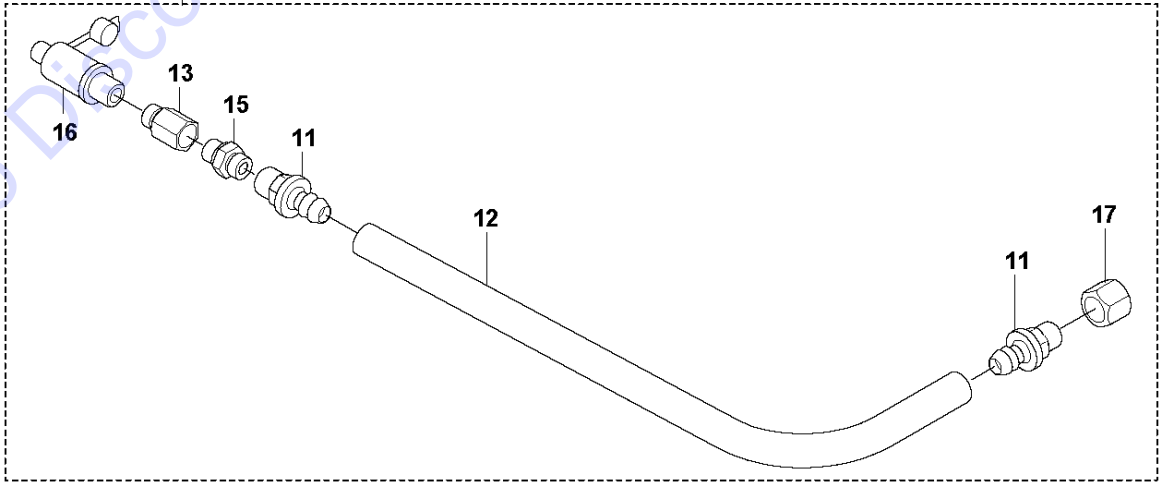
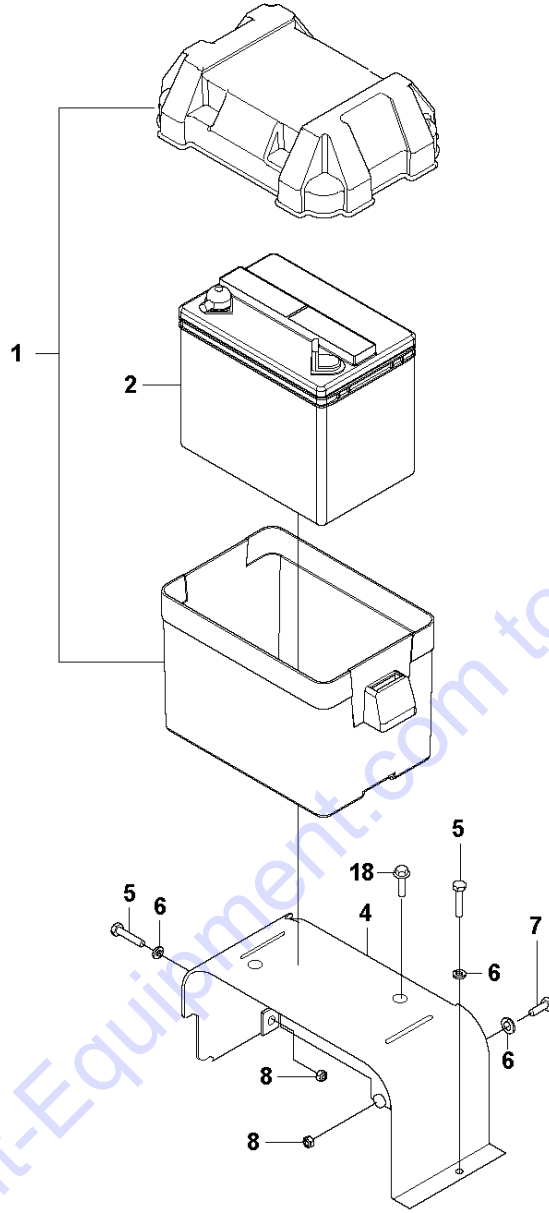
BLADE SHAFT IDLER

SOFF CUT 2000, 2020-08

Ref	Part No	Description	Remark	QTY	KIT
1	539 97 69-49	BOLT		1	17
2	594 06 03-01	ARM		1	17
3	501605501	TBD		1	17
4	542 02 01-33	NUT		1	17
5	505 70 68-01	BLADE		1	17
6	505 73 10-01	WASHER		1	17
7	539 99 05-63	SCREW		1	17
8	505 73 28-01	NUT		1	17
9	505 77 45-01	ANCHOR		1	17
10	542 13 91-02	SPRING		1	17
11	505 72 78-01	BOLT		1	17
12	505 71 79-01	BUSHING		1	17
13	505 63 42-01	WASHER		1	17
15	542 20 62-05	SNAP RING		2	17
16	505 73 63-01	WHEEL		3	17
17	593847801	TBD		1	

Go to Discount-Equipment.com to order your parts

F SOFF CUT 2000
OIL DRAIN & BATTERY

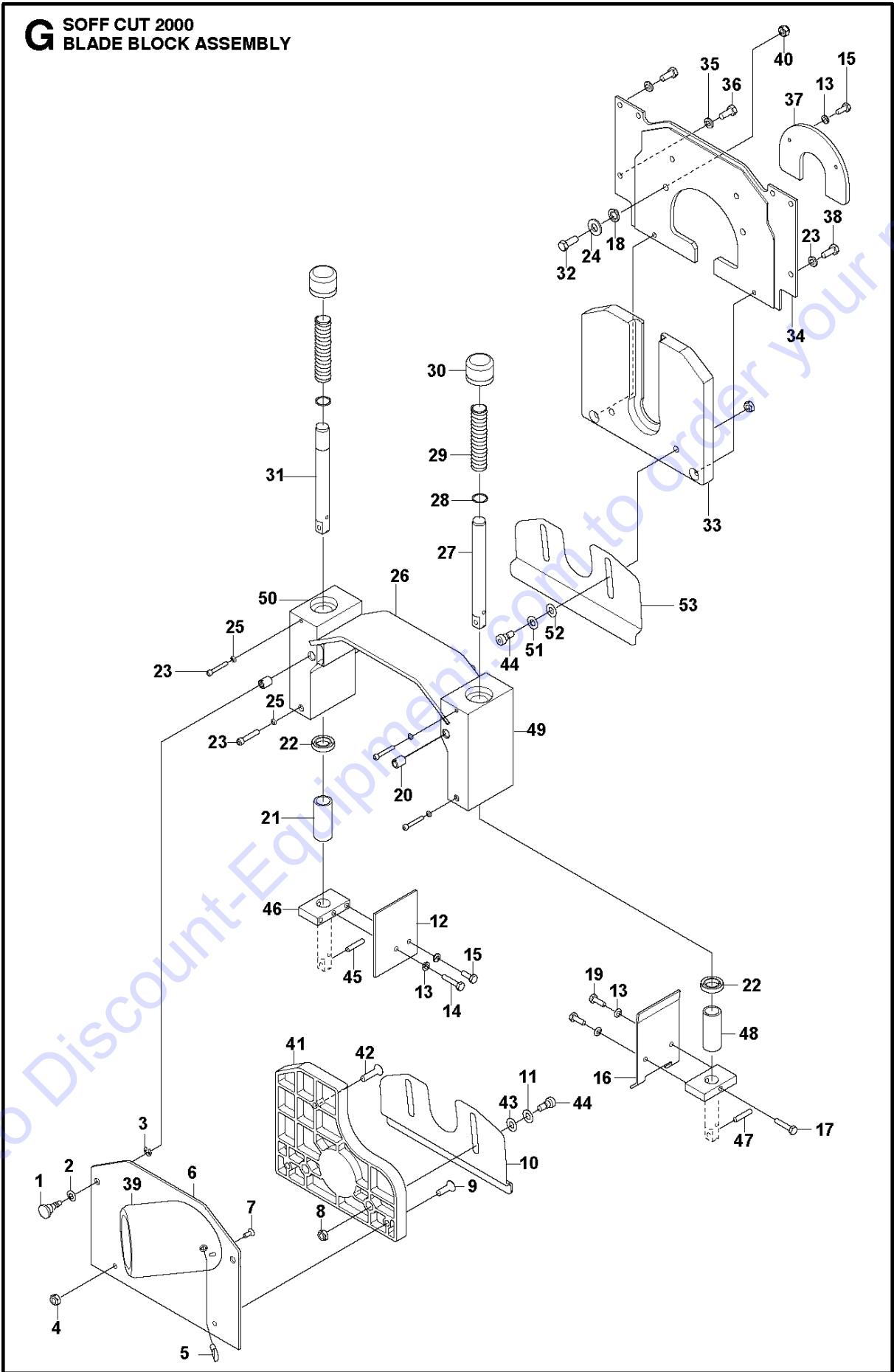


Go to Discount-Equipment.com to order your parts

Ref	Part No	Description	Remark	QTY	KIT
1	505 83 60-01	COVER		1	
2	522 95 02-01	BATTERY		1	
4	505 81 78-01	WHEEL COVER		1	
5	505 92 75-01	SPARE PARTS		2	
6	505 63 28-01	WASHER		3	
7	505 62 74-01	BOLT		1	
8	539 97 69-78	NUT		2	
11	505 73 86-01	FITTING		2	14
12	505 73 85-01	HOSE		1	14
13	541 20 49-33	FITTING		1	14
14	529404801	TBD		1	
15	541205087	TBD		1	14
16	542 16 69-07	VALVE		1	14
17	505 77 66-01	CAP		1	14
18	590 96 06-01	SCREW		2	

Go to Discount-Equipment.com to order your parts

G SOFF CUT 2000
BLADE BLOCK ASSEMBLY



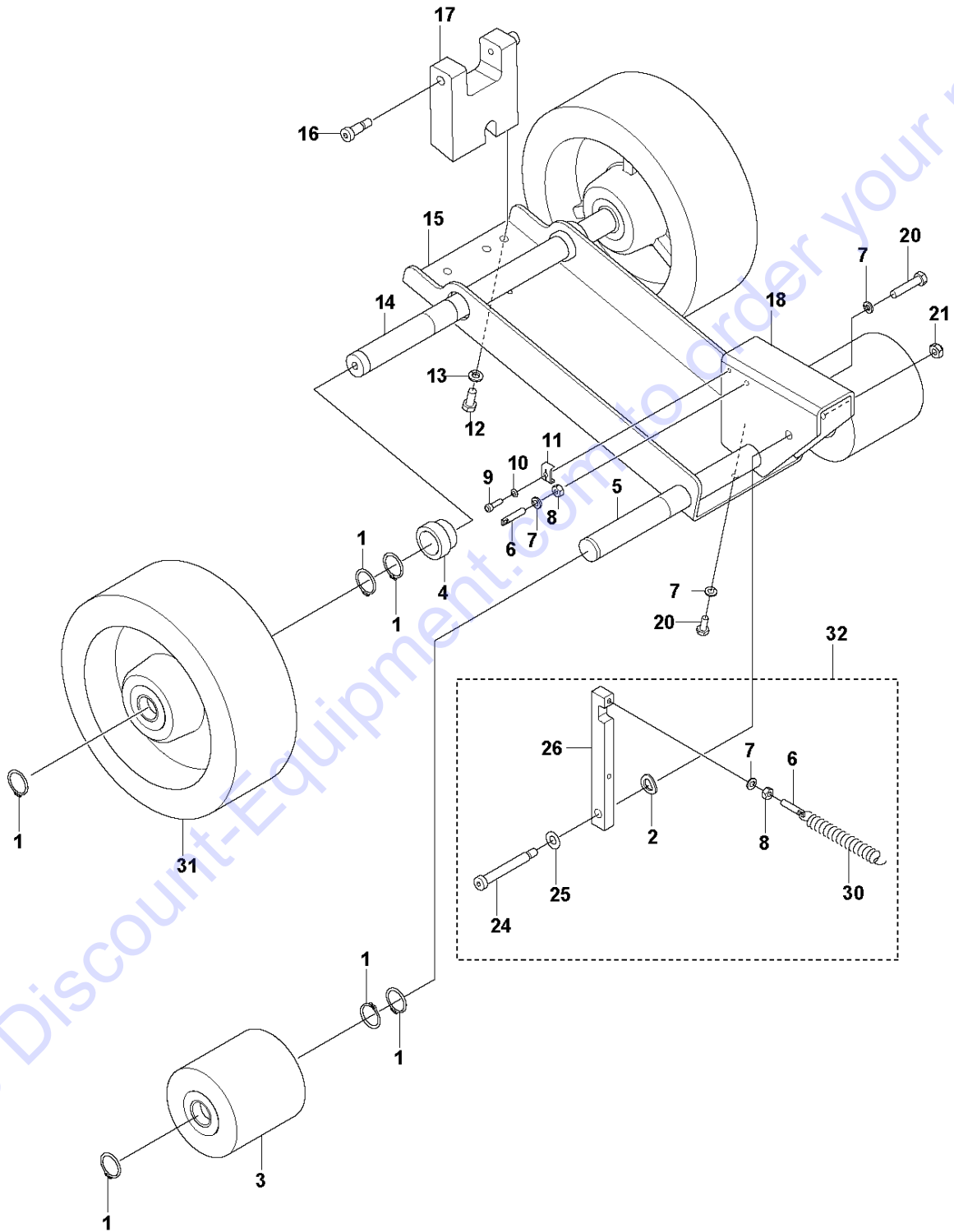
BLADE BLOCK ASSEMBLY

SOFF CUT 2000, 2020-08

Ref	Part No	Description	Remark	QTY KIT
1	505 53 63-01	KNOB		2
2	505 53 64-01	WASHER		2
3	505 53 65-01	E-CLIP		2
4	505 63 17-01	NUT		5
5	505 79 61-01	SCREW		1
6	505 82 01-01	B.B. FRONT COVER W/ DUST PORT		1
7	505 62 85-01	SCREW		3
8	505 83 38-01	SLAB BASE WLDNUT 5/16-18 X 3/8		2
9	505 77 33-01	SCREW		5
10	505 82 02-01	COVER		1
11	505 63 42-01	WASHER		2
12	505 81 47-01	PLATE		1
13	505 63 28-01	WASHER		5
14	505 72 83-01	BOLT		1
15	505 62 75-01	BOLT		3
16	505 81 46-01	VACUUM SYSTEM		1
17	505 72 81-01	BOLT		2
18	539 99 05-17	WASHER		2
19	505 75 01-01	ACTUATOR		2
20	505 74 83-01	INSERT		2
21	505 66 78-01	SHAFT		1
22	505 73 80-01	SEAL		2
23	505 59 14-01	BOLT		4
24	505 73 10-01	WASHER		4
25	505 63 31-01	WASHER		6
26	505 81 58-01	B.B TOP COVER		1
27	505 81 48-01	SHAFT		1
28	541 40 14-72	RING		2
29	505 73 72-01	SPRING		2
30	505 81 50-01	CAP		2
31	505 81 49-01	SHAFT		1
32	505 83 31-01	BOLT		2
33	505 82 04-01	BLOCK		1
34	505 81 52-01	PANEL		1
35	505 63 30-01	WASHER		6
36	539 99 02-09	SCREW		6
37	505 81 57-01	BELT		1
38	505 72 75-01	HEX BOLT 5/16-18-1 CAD GR 5		2
39	591 35 71-01	TUBE		1
40	505 62 74-01	BOLT		4
41	505 82 05-01	VOLUME BLOCK. OUTER. PLASTIC		1
42	505 82 28-01	BOLT		4
43	505 93 43-01	SPARE PARTS		2
44	505 72 61-01	BOLT		4
45	505 91 82-01	SPARE PART		1
46	505 83 98-01	BLOCK		2
47	505 77 40-01	PIN		1
48	505 66 76-01	BUSHING		2
49	505 81 53-01	BLADE BLOCK		1
50	505 81 54-01	BLADE BLOCK		1
51	505 72 46-01	FLAT WASH 3/8 STL CAD		4
52	505 63 45-01	WASHER		4
53	505 82 03-01	COVER		1

Go to DiscountedEquipment.com to order your parts

H SOFF CUT 2000
FRONT WHEEL CARRIAGE



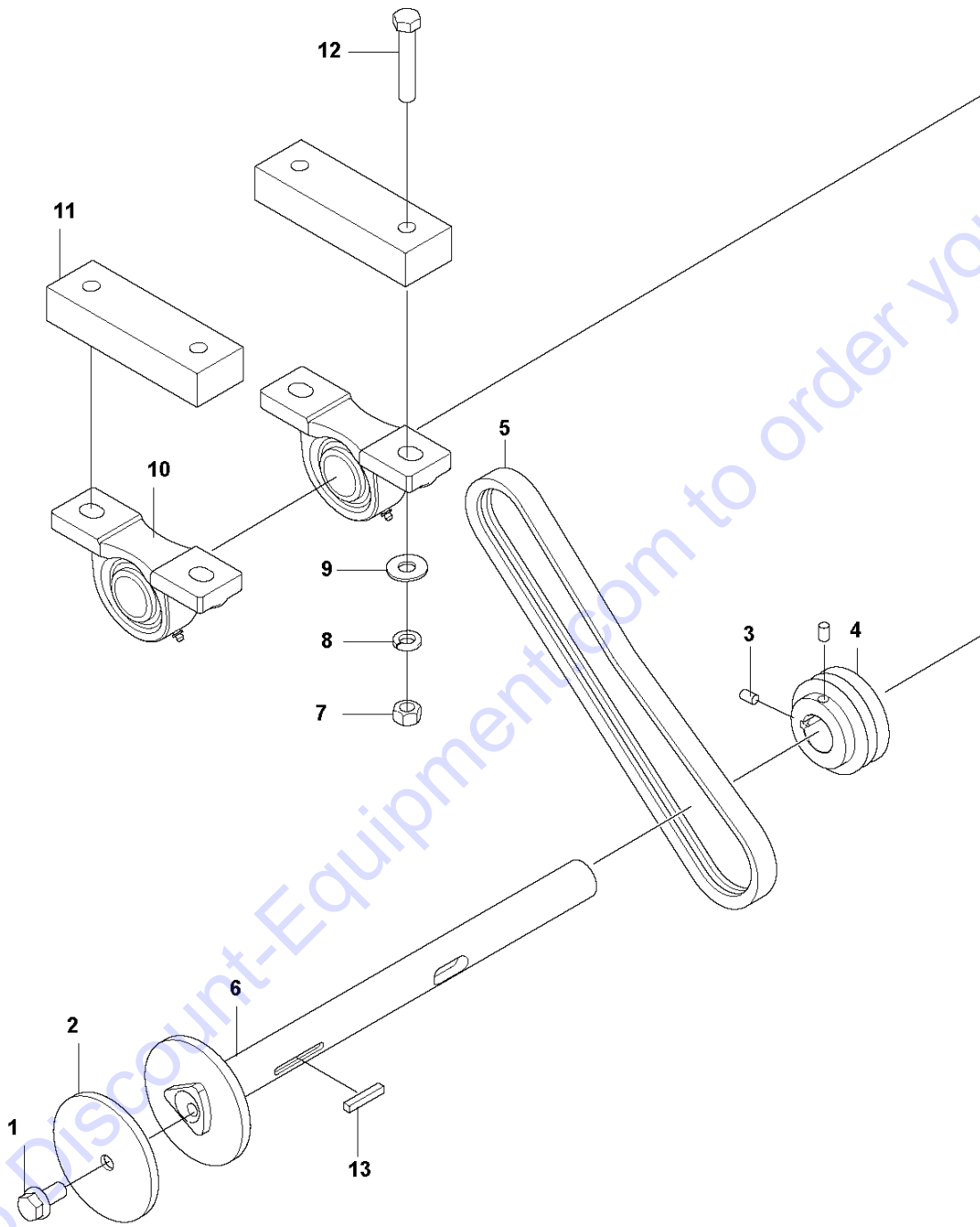
FRONT WHEEL CARRIAGE

SOFF CUT 2000, 2020-08

Ref	Part No	Description	Remark	QTY	KIT
1	542 20 62-05	SNAP RING		12	
2	505 63 45-01	WASHER		1	32
3	505 86 44-01	WHEEL		2	
4	505 65 51-01	BUSHING		2	
5	505 81 73-01	AXLE		1	
6	505 77 45-01	ANCHOR		1	32
7	505 63 28-01	WASHER		4	32
8	505 63 19-01	NUT		2	32
9	505 72 97-01	BOLT		2	
10	505 63 31-01	WASHER		2	
11	505 64 89-01	CABLE HOLDER		2	
12	505 82 10-01	HEX BOLT 5/16 - 18 X 3/4 GR 5		2	
13	505 63 30-01	WASHER		2	
14	505 81 74-01	AXLE		1	
15	505 81 77-01	WHEEL		1	
16	505 62 71-01	BOLT		2	
17	505 81 91-01	BLOCK		1	
18	505 81 79-01	BRACKET		1	
20	505 62 74-01	BOLT		2	
21	505 63 17-01	NUT		1	
24	505 82 08-01	BOLT		1	32
25	505 63 42-01	WASHER		1	32
26	505 81 72-01	ARM		1	32
30	505 73 79-01	SPRING		1	32
31	505 86 45-01	WHEEL		2	
32	510 27 27-07	ASSEMBLY		1	

Go to Discount-Equipment.com to order your parts

J SOFF CUT 2000
BLADE ARM



Go to Discount-Equipment.com to order your parts

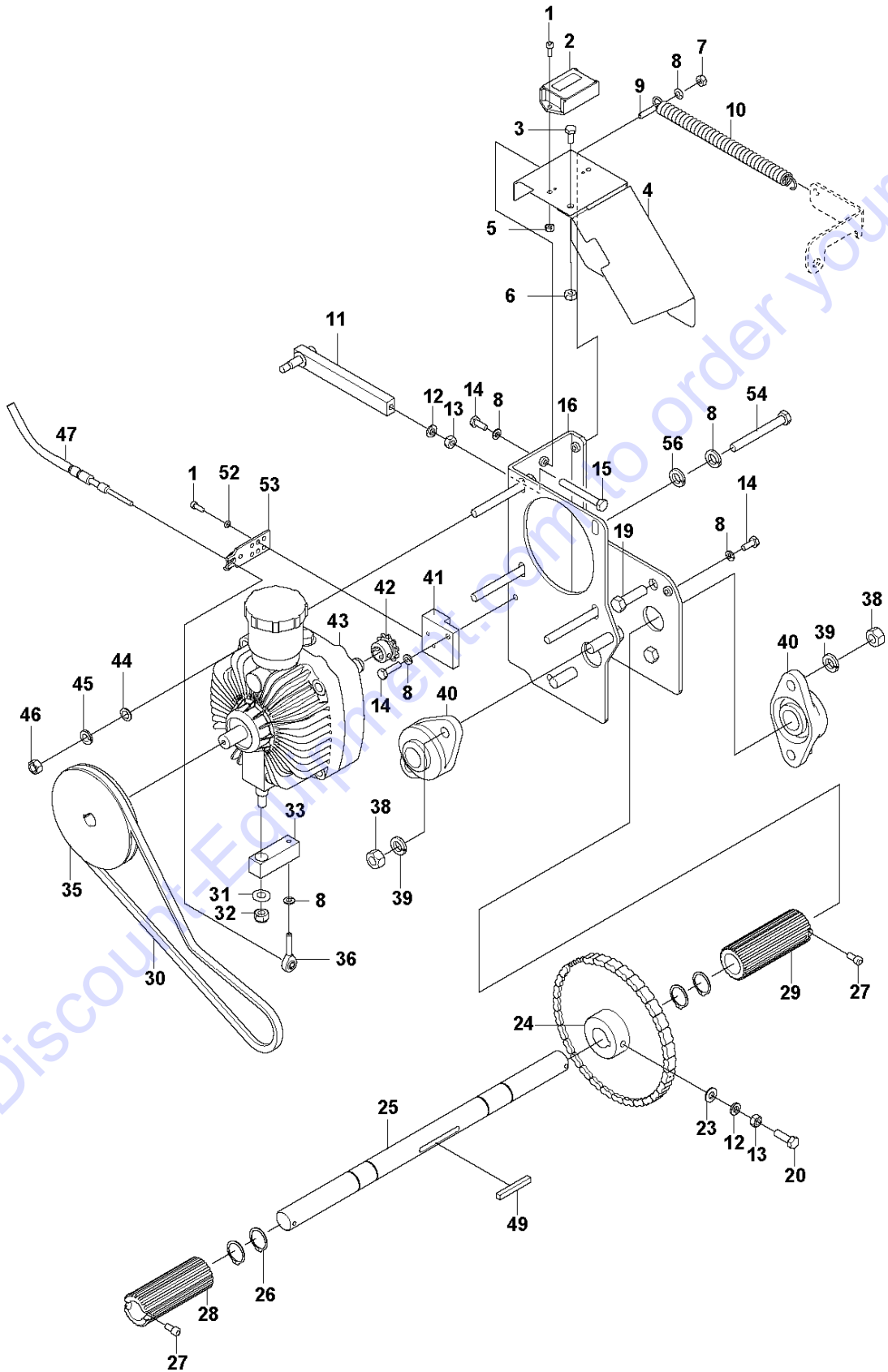
BLADE ARM

SOFF CUT 2000, 2020-08

Ref	Part No	Description	Remark	QTY KIT
1	505 48 37-01	BOLT		1
2	505 49 15-04	WASHER		1
3	542 02 05-50	SCREW		2
4	582 04 68-01	PULLEY		1
5	505 69 15-01	BELT		1
6	505 57 32-03	SHAFT		1
7	505 73 22-01	NUT		4
8	505 73 11-01	WASHER		4
9	505 73 14-01	WASHER		4
10	505 82 29-01	BLADE SHAFT		2
11	505 81 70-01	BEARING		2
12	505 72 71-01	BOLT		4
13	510 31 81-01	KEY		1

Go to Discount-Equipment.com to order your parts

K SOFF CUT 2000
HYDRAULIC PUMP - MOTOR

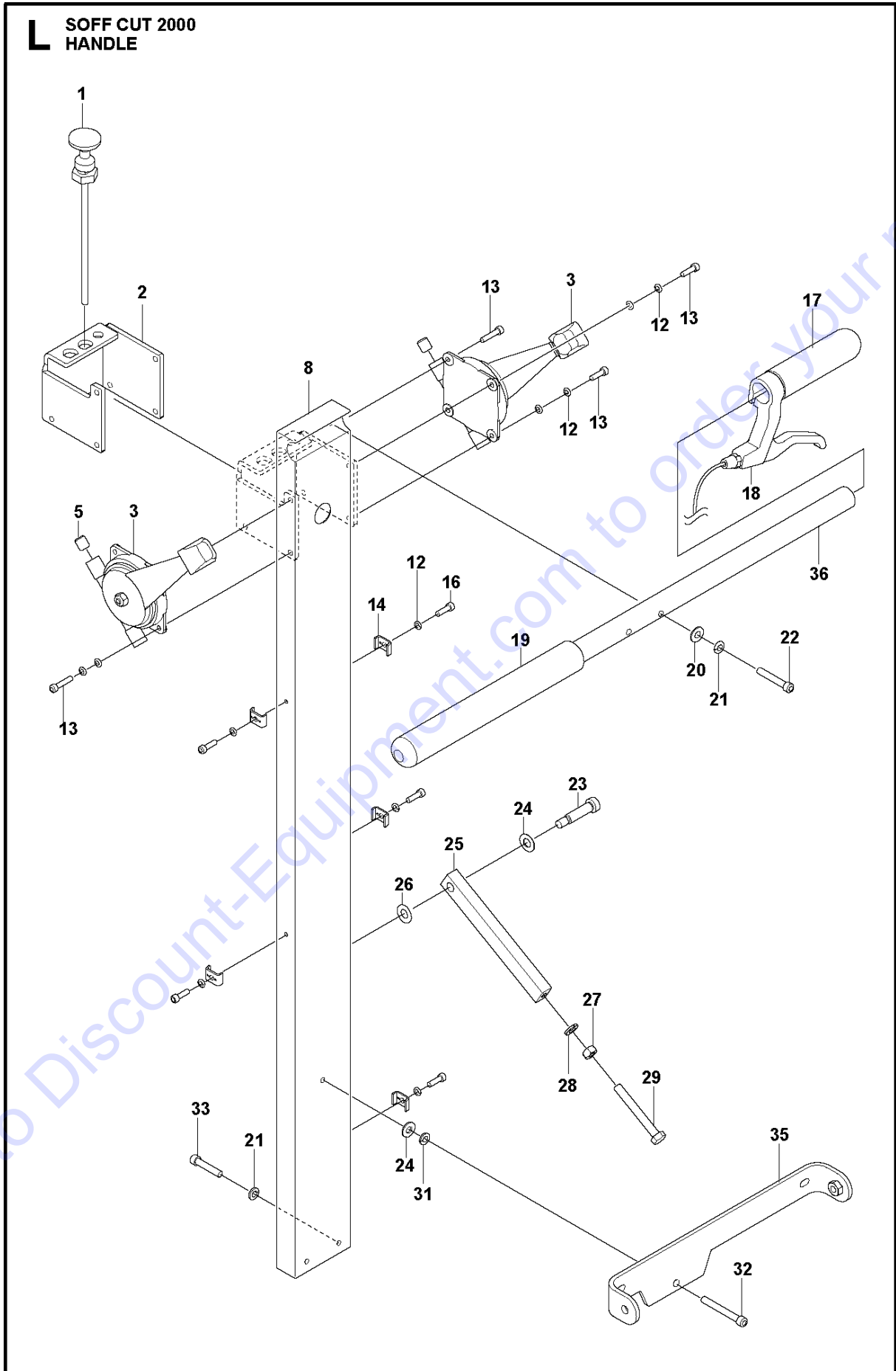


HYDRAULIC PUMP - MOTOR

SOFF CUT 2000, 2020-08

Ref	Part No	Description	Remark	QTY KIT
1	505 72 96-01	BOLT		2
2	505 81 43-01	HOUR METER		1
3	505 62 75-01	BOLT		1
4	589 43 45-01	COVER ASSY		1
5	505 82 22-01	NUT		2
6	539 97 69-78	NUT		1
7	505 63 19-01	NUT		2
8	505 63 28-01	WASHER		5
9	505 77 45-01	ANCHOR		1
10	505 73 73-01	SPRING		1
11	505 81 81-01	ARM		1
12	505 63 30-01	WASHER		2
13	539 99 01-96	NUT		2
14	505 62 74-01	BOLT		3
15	505 60 16-01	BOLT		1
16	505 81 84-01	BRACKET		1
19	505 82 14-01	BOLT		2
20	539 99 02-09	SCREW		1
23	539 99 01-88	WASHER		1
24	510 34 66-01	SPROCKET. 54T		1
25	505 81 82-01	SHAFT		1
26	542 20 62-05	SNAP RING		4
27	505 72 23-01	BOLT		2
28	505 71 52-01	DRIVER		1
29	505 71 51-01	DRIVER		1
30	587 93 54-01	PULLEY		1
31	505 63 42-01	WASHER		1
32	539 30 07-70	NLA NUT 3/8-16 JAM NYLOC		1
33	505 81 71-01	ARM		1
35	587 93 53-01	PULLEY		1
36	505 82 35-01	BALL JOINT		1
38	505 73 26-01	NUT		4
39	505 73 12-01	WASHER		4
40	582 27 28-01	BALL BEARING		2
41	510 34 31-01	BLOCK		1
42	587 65 99-02	SPROCKET		1
43	582 38 28-01	TRANSMISSION		1
44	505 72 40-01	WASHER		4
45	505 73 10-01	WASHER		4
46	539 99 01-30	NUT		4
47	505 82 30-01	CONTROL CABLE		1
49	539 91 02-10	KEY		1
52	505 63 31-01	WASHER		1
53	505 82 34-01	BRACKET		1
54	539 30 08-70	NLA HCS 3/8-16 X 3-1/2 GR 5 ZN		4
56	539 99 05-17	WASHER		4

Go to DiscountEquipment.com to order your parts



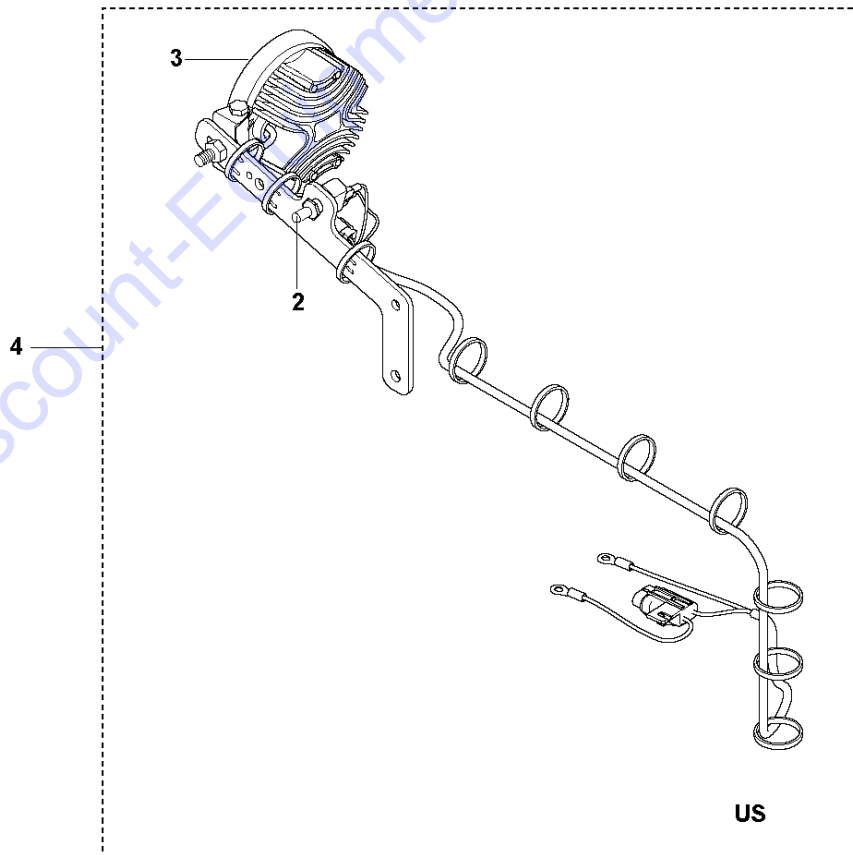
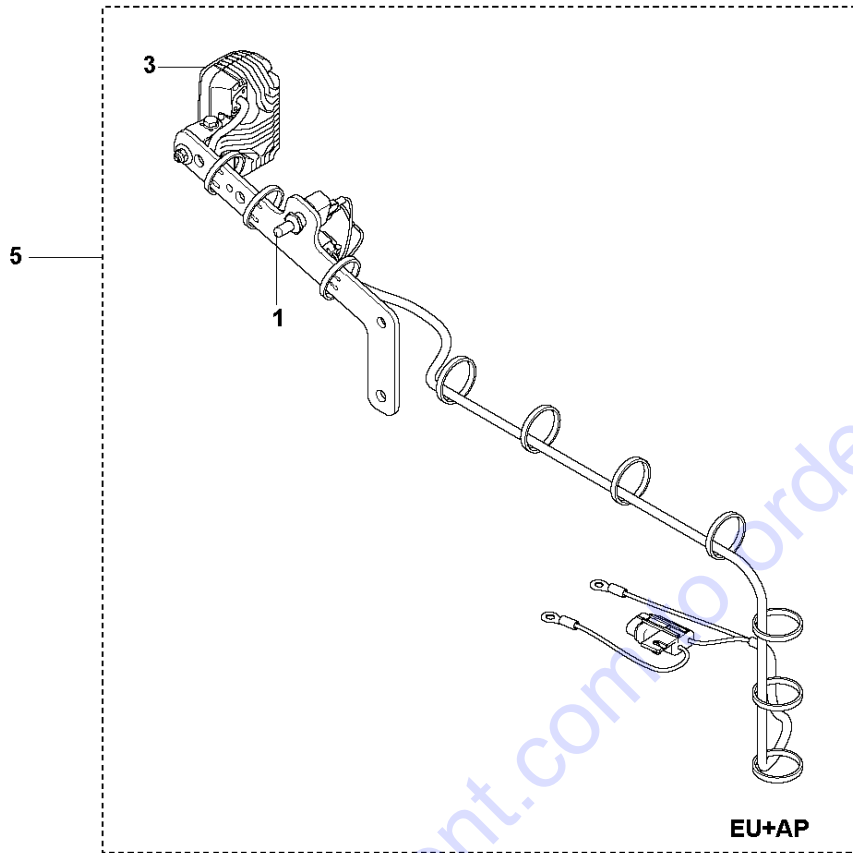
HANDLE

SOFF CUT 2000, 2020-08

Ref	Part No	Description	Remark	QTY KIT
1	505 82 74-01	CHOKE		1
2	505 81 68-01	BRACKET		1
3	505 82 36-01	CONTROL LEVER		2
5	505 82 24-01	SCREW		2
8	596970001	TBD		1
12	505 63 31-01	WASHER		13
13	505 77 28-01	BOLT		6
14	505 64 89-01	CABLE HOLDER		5
16	505 72 97-01	BOLT		11
17	505 80 28-01	GRIP		1
18	505 59 25-01	BRAKE LEVER		1
19	505 81 35-01	GRIP		1
20	505 63 20-01	WASHER		2
21	505 63 28-01	WASHER		2
22	505 72 88-01	BOLT		2
23	505 82 07-01	BOLT		1
24	505 63 42-01	WASHER		1
25	505 81 81-01	ARM		1
26	505 63 45-01	WASHER		2
27	505 72 35-01	NUT		1
28	505 63 30-01	WASHER		1
29	539 97 69-34	SCREW		1
31	505 72 83-01	BOLT		1
32	590 47 25-01	BRACKET		1
33	542 02 05-68	SCREW		2
35	591 37 59-01	BRACKET		1
36	505 81 65-01	HANDLEBAR		1

Go to Discount-Equipment.com to order your parts

M SOFF CUT 2000
LIGHT KIT



Go to Discount-Equipment.com to order your parts

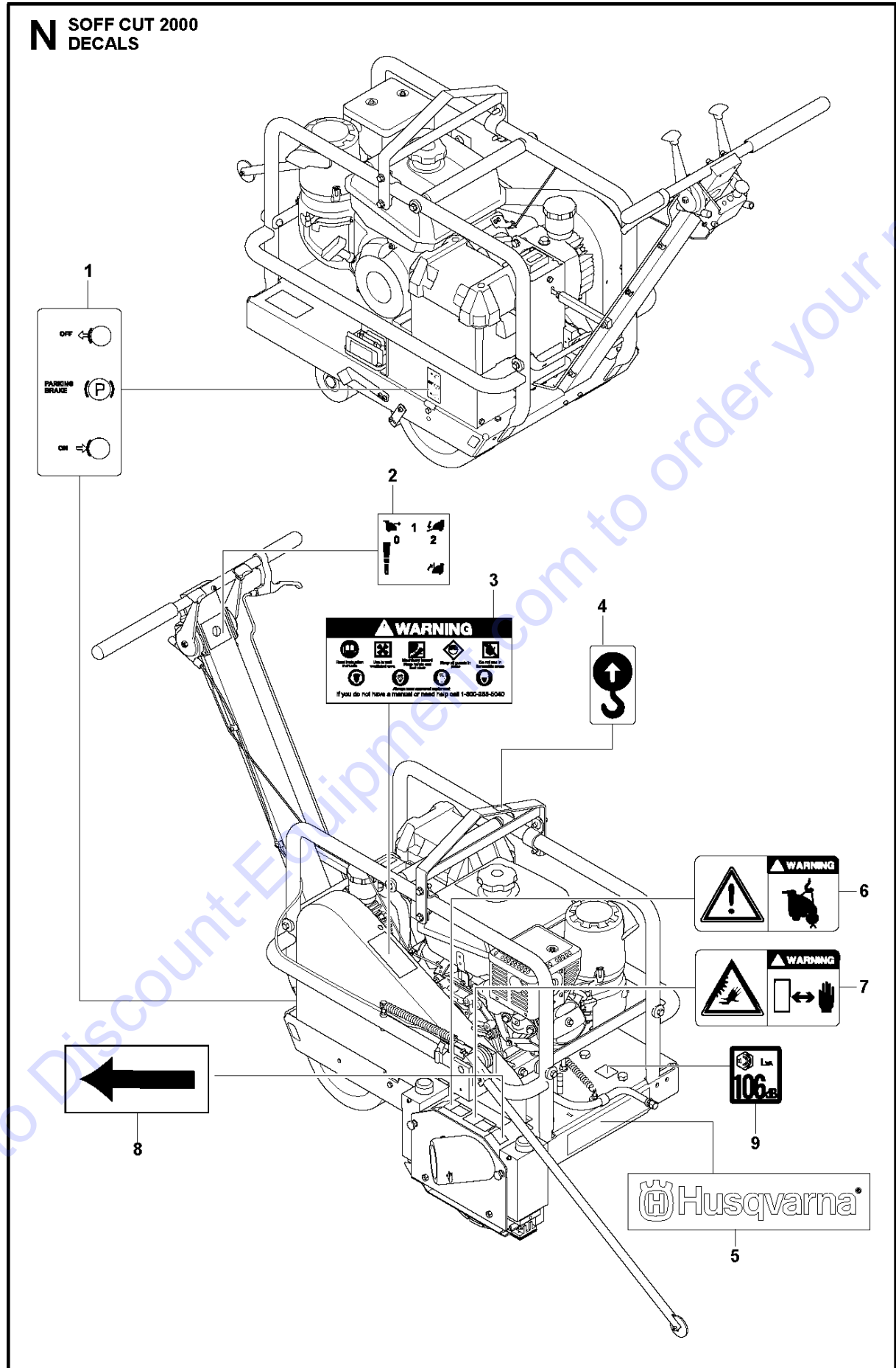
LIGHT KIT

SOFF CUT 2000, 2020-08

Ref	Part No	Description	Remark	QTY	KIT
1	582 77 67-01	LIGHT		1	5
2	594915301	TBD		1	4
3	542 19 96-48	SWITCH		1	5,4
4	594 91 52-01	LIGHT		1	
5	594 91 56-01	LIGHT		1	

Go to Discount-Equipment.com to order your parts

N SOFF CUT 2000
DECALS



Go to Discount-Equipment.com to order your parts

DECALS

SOFF CUT 2000, 2020-08

Ref	Part No	Description	Remark	QTY KIT
1	505 70 34-01	LABEL		
2	510 34 15-01	LABEL		1
3	505 70 37-01	LABEL. WARNING SIGN (BIG)		
4	525 51 27-01	STICKER		1
5	505 44 85-01	DECAL		1
6	505 70 35-01	LABEL		1
7	510 34 75-01	LABEL WARNING		1
8	505 70 39-01	LABEL		1
9	596 48 63-01	DECAL		1

Go to Discount-Equipment.com to order your parts

PARTS FINDER

**Search Website
by Part Number**



**Search Manual
Library For Parts
Manual & Lookup Part
Numbers – Purchase
or Request Quote**

Search Manuals

Enter your information to help us find the right parts manual for your machine.

* Brand:

* Model:

* Serial:

* Part Number:

SEARCH

**Can't Find Part or
Manual? Request Help
by Manufacturer,
Model & Description**

Parts Order Form

Please fill in the following information to help us find the right part for your machine.

Manufacturer:	<input type="text"/>
Model:	<input type="text"/>
Description:	<input type="text"/>
Part Number:	<input type="text"/>
Quantity:	<input type="text"/>
Notes:	<input type="text"/>

Submit

Discount-Equipment.com is your online resource for quality parts & equipment.

Florida: **561-964-4949** Outside Florida TOLL FREE: **877-690-3101**

Need parts?

Click on this link: <http://www.discount-equipment.com/category/5443-parts/> and choose one of the options to help get the right parts and equipment you are looking for. Please have the machine model and serial number available in order to help us get you the correct parts. If you don't find the part on the website or on one of the online manuals, please fill out the request form and one of our experienced staff members will get back to you with a quote for the right part that your machine needs.

We sell worldwide for the brands: Genie, Terex, JLG, MultiQuip, Mikasa, Essick, Whiteman, Mayco, Toro Stone, Diamond Products, Generac Magnum, Airman, Haulotte, Barreto, Power Blanket, Nifty Lift, Atlas Copco, Chicago Pneumatic, Allmand, Miller Curber, Skyjack, Lull, Skytrak, Tsurumi, Husquvarna Target, Stow, Wacker, Sakai, Mi-T-M, Sullair, Basic, Dynapac, MBW, Weber, Bartell, Bennar Newman, Haulotte, Ditch Runner, Menegotti, Morrison, Contec, Buddy, Crown, Edco, Wyco, Bomag, Laymor, EZ Trench, Bil-Jax, F.S. Curtis, Gehl Pavers, Heli, Honda, ICS/PowerGrit, IHI, Partner, Imer, Clipper, MMD, Koshin, Rice, CH&E, General Equipment, Amida, Coleman, NAC, Gradall, Square Shooter, Kent, Stanley, Tamco, Toku, Hatz, Kohler, Robin, Wisconsin, Northrock, Oztec, Toker TK, Rol-Air, APT, Wylie, Ingersoll Rand / Doosan, Innovatech, Con X, Ammann, Mecalac, Makinex, Smith Surface Prep, Small Line, Wanco, Yanmar