



SPARE PARTS LIST

SURFACE PREPARATION EQUIPMENT

PG 400 PETROL, 2020-04

Go to Discount-Equipment.com to order your parts



PARTS FINDER

**Search Website
by Part Number**



**Search Manual
Library For Parts
Manual & Lookup Part
Numbers – Purchase
or Request Quote**

Search Manuals

Enter your information to help us find the right parts manual for your machine.

* Brand:

* Model:

* Serial:

* Part Number:

SEARCH

**Can't Find Part or
Manual? Request Help
by Manufacturer,
Model & Description**

Parts Order Form

Please fill in the following information to help us find the right part for your machine.

Manufacturer:	<input type="text"/>
Model:	<input type="text"/>
Description:	<input type="text"/>
Part Number:	<input type="text"/>
Quantity:	<input type="text"/>
Notes:	<input type="text"/>

Submit

Discount-Equipment.com is your online resource for quality parts & equipment.

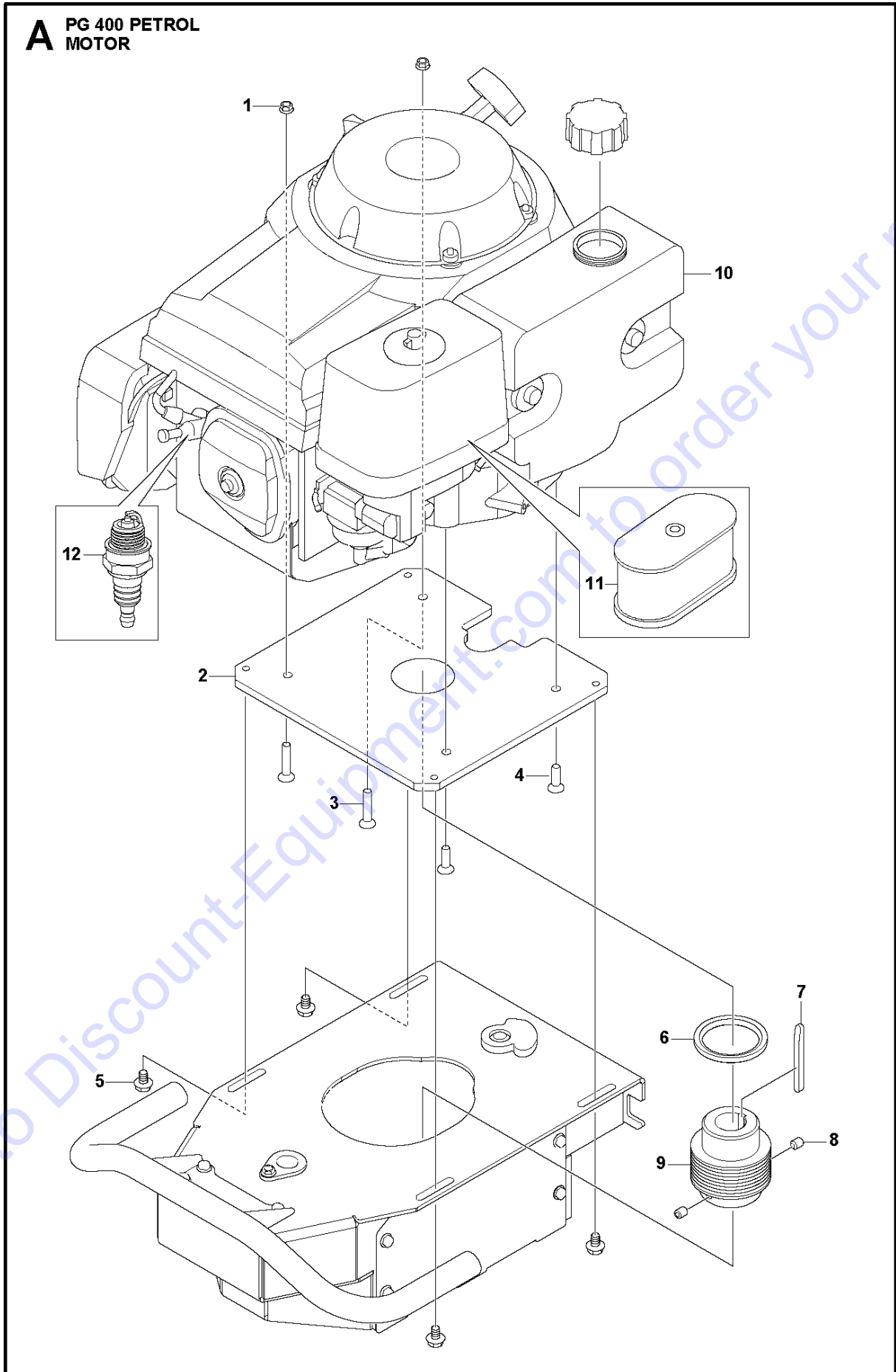
Florida: **561-964-4949** Outside Florida TOLL FREE: **877-690-3101**

Need parts?

Click on this link: <http://www.discount-equipment.com/category/5443-parts/> and choose one of the options to help get the right parts and equipment you are looking for. Please have the machine model and serial number available in order to help us get you the correct parts. If you don't find the part on the website or on one of the online manuals, please fill out the request form and one of our experienced staff members will get back to you with a quote for the right part that your machine needs.

We sell worldwide for the brands: Genie, Terex, JLG, MultiQuip, Mikasa, Essick, Whiteman, Mayco, Toro Stone, Diamond Products, Generac Magnum, Airman, Haulotte, Barreto, Power Blanket, Nifty Lift, Atlas Copco, Chicago Pneumatic, Allmand, Miller Curber, Skyjack, Lull, Skytrak, Tsurumi, Husquvarna Target, Stow, Wacker, Sakai, Mi-T-M, Sullair, Basic, Dynapac, MBW, Weber, Bartell, Bennar Newman, Haulotte, Ditch Runner, Menegotti, Morrison, Contec, Buddy, Crown, Edco, Wyco, Bomag, Laymor, EZ Trench, Bil-Jax, F.S. Curtis, Gehl Pavers, Heli, Honda, ICS/PowerGrit, IHI, Partner, Imer, Clipper, MMD, Koshin, Rice, CH&E, General Equipment, Amida, Coleman, NAC, Gradall, Square Shooter, Kent, Stanley, Tamco, Toku, Hatz, Kohler, Robin, Wisconsin, Northrock, Oztec, Toker TK, Rol-Air, APT, Wylie, Ingersoll Rand / Doosan, Innovatech, Con X, Ammann, Mecalac, Makinex, Smith Surface Prep, Small Line, Wanco, Yanmar

A PG 400 PETROL
MOTOR



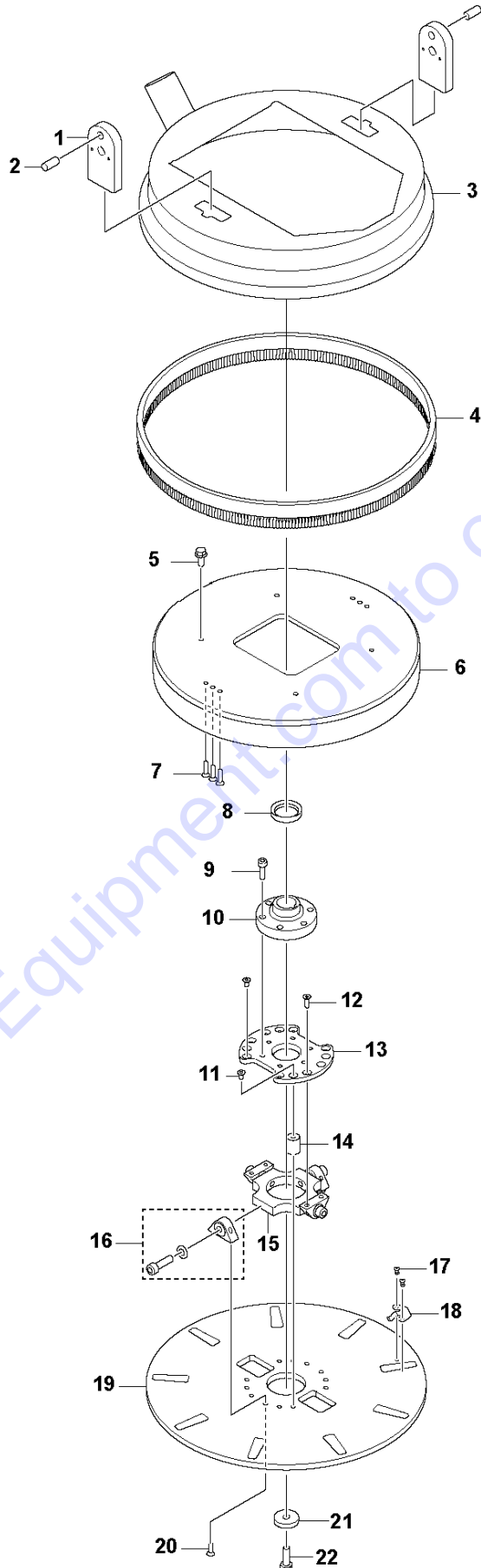
MOTOR

PG 400 PETROL, 2020-04

Ref	Part No	Description	Remark	QTY KIT
1	598 70 09-01	NUT		2
2	598 39 64-01	PLATE		1
3	598 70 11-01	SCREW		2
4	598 70 10-01	SCREW		2
5	598 70 01-01	SCREW		4
6	598 39 66-01	SEAL		1
7	590 78 80-01	PARALLEL KEY		1
8	728 84 45-05	SCREW IHSETM		2
9	598 39 65-01	PULLEY		1
10	590 78 73-01	ENGINE		1
11	598 48 22-01	AIR FILTER		1
12	596783001	TBD		1

Go to Discount-Equipment.com to order your parts

B PG 400 PETROL
GRINDING HEAD



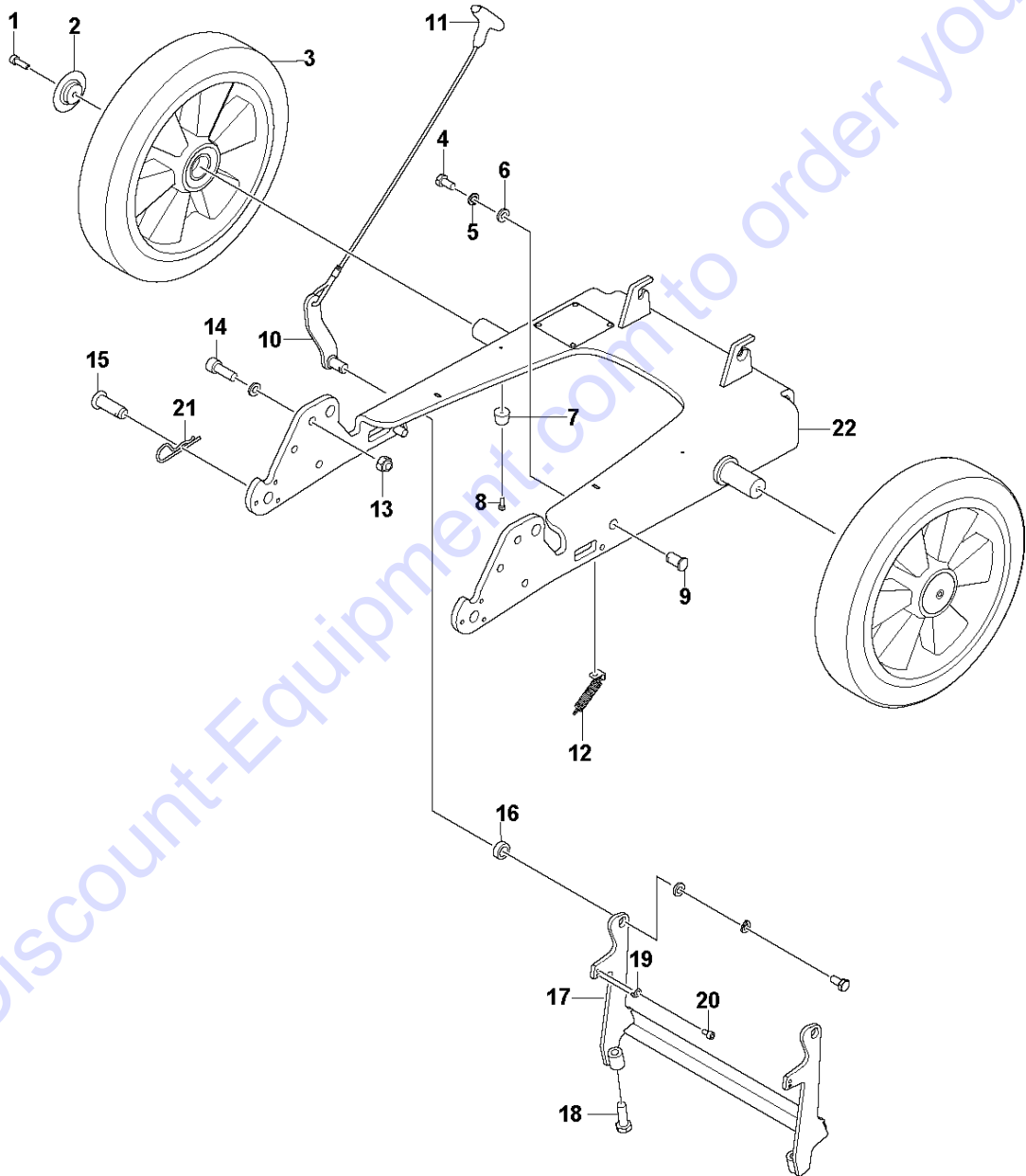
GRINDING HEAD

PG 400 PETROL, 2020-04

Ref	Part No	Description	Remark	QTY KIT
1	585 54 03-01	BRACKET	BRACKET	2
2	585 13 82-02	PIN	Pin	2
3	590 78 90-01	DUST COVER	DUST COVER	1
4	582 30 00-11	BRUSH	Brush	1
5	585 97 54-01	SCREW EHHFM	SCREW EHHFM	4
6	590 79 31-01	MOUNTING PLATE	Mounting Plate	1
7	725 63 72-56	SCREW IHCSFM	SCREW IHCSFM	6
8	589 92 58-01	V-RING	V-Ring	1
9	725 54 53-05	SCREW IHSCM	Screw IHSCM	6
10	598 41 68-01	COUPLER	Coupler	1
11	725 64 47-55	SCREW IHCSFM	SCREW IHCSFM	8
12	725 63 70-51	SCREW IHCSFM	SCREW IHCSFM	8
13	590 78 72-01	DISC	Attachment Plate	1
14	584 81 61-01	ABSORBER	Damper	8
15	594 89 50-01	PLATE	Plate	1
16	599619001	TBD	Ear Cardan Kit	1
17	722 79 46-09	RIVET	Rivet	18
18	590 79 33-01	SPRING	Spring	9
19	590 78 72-01	DISC	Tool Holder	1
20	725 64 49-55	SCREW IHCSFM	SCREW IHCSFM	8
21	510 23 51-01	WASHER	Washer	1
22	725 24 95-71	SCREW EHHM	SCREW EHHM	1

Go to Discount-Equipment.com to order your parts

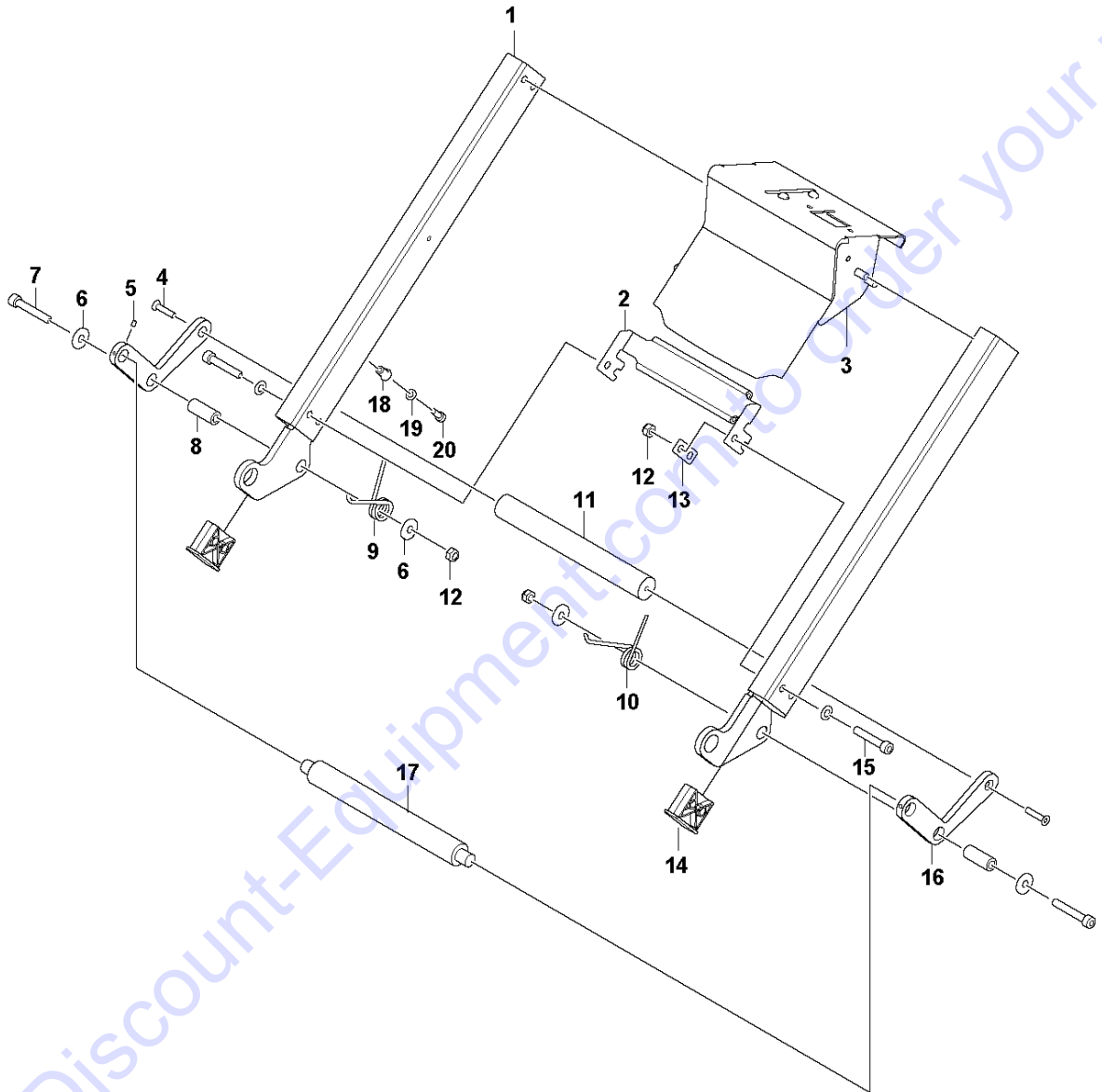
C PG 400 PETROL
CHASSIS / FRAME



Ref	Part No	Description	Remark	QTY KIT
1	725 53 70-51	SCREW IHSCM	Screw IHSCM	2
2	575 39 51-01	WASHER	Washer	2
3	590 72 66-01	WHEEL	Wheel	2
4	725 24 49-71	SCREW EHHM	Screw EHHM	2
5	735 11 64-01	SPRING WASHER	Spring Washer	2
6	504 46 75-01	WASHER	Washer	2
7	585 51 68-01	RUBBER SHOE	Rubber Shoe	2
8	725 52 91-01	SCREW IHSCM	Screw IHSCM	2
9	592 65 65-01	SHAFT	Shaft	1
10	592 66 02-01	HANDLE ASSY	Handle assy	1
11	575 48 95-01	STARTER HANDLE	Starter Handle	1
12	590 78 88-01	SPRING	Spring	2
13	732 25 20-01	HEXAGON LOCKING NUT	HEXAGON LOCKING NUT	2
14	725 54 95-01	SCREW IHSCM	SCREW IHSCM	2
15	721 85 68-01	CLEVIS PIN	Clevis Pin	2
16	592 65 67-01	SPACER	Spacer	2
17	590 93 38-01	STAND	Stand	1
18	725 24 95-71	SCREW EHHM	Screw EHHM	2
19	592 65 68-01	PLATE	Plate	2
20	725 53 25-01	SCREW IHSCM	Screw IHSCM	2
21	721 68 02-51	SPRING COTTER	Spring cotter	1
22	593 33 16-01	FRAME	Frame Assy	1

Go to Discount-Equipment.com to order your parts

D PG 400 PETROL
CHASSIS UPPER



Go to Discount-Equipment.com to order your parts

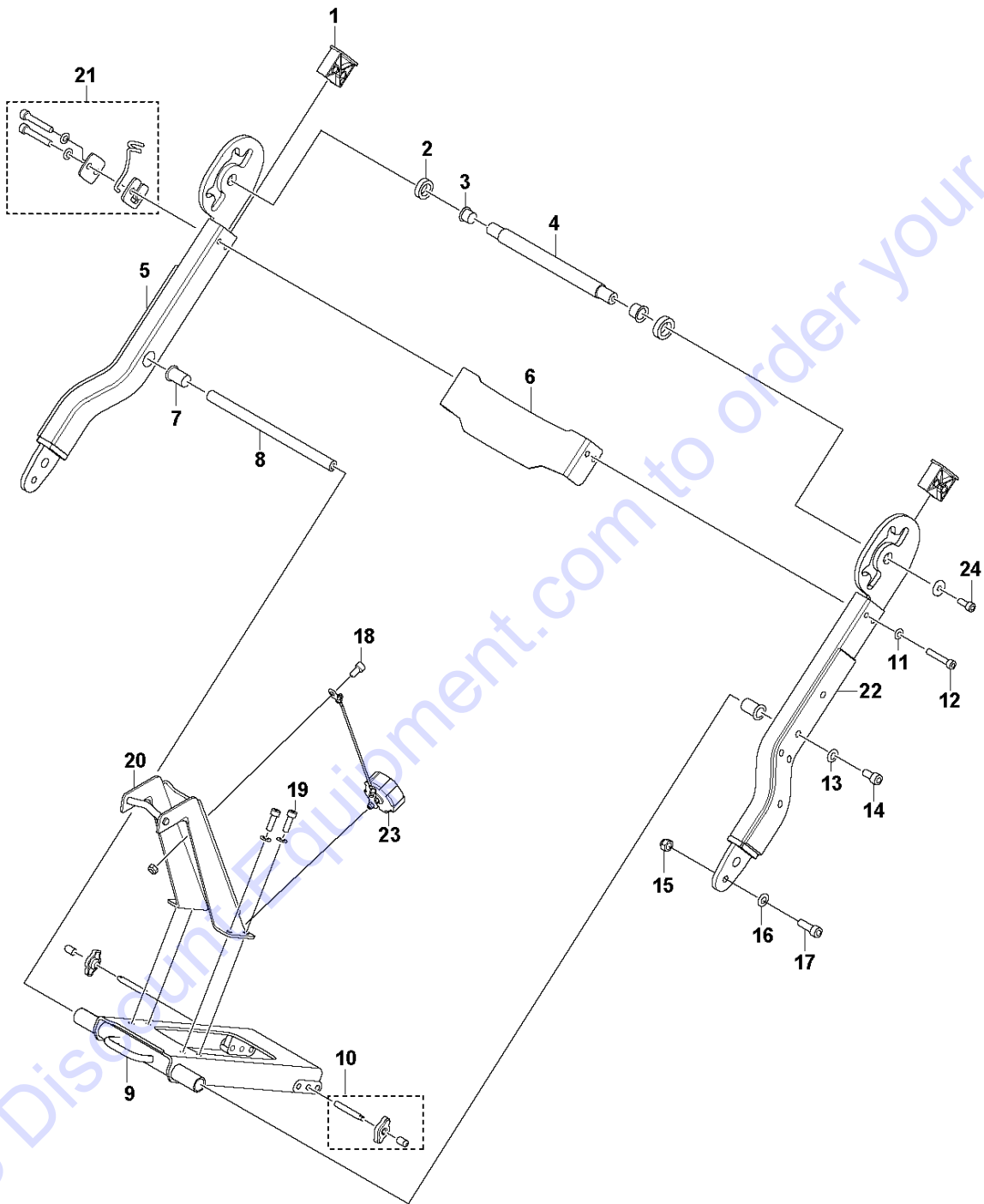
CHASSIS UPPER

PG 400 PETROL, 2020-04

Ref	Part No	Description	Remark	QTY KIT
1	585 57 35-11	FORK	Fork	1
2	585 38 28-01	BRACKET	Bracket	1
3	590 82 10-01	PLATE	Plate	1
4	725 63 74-51	SCREW	Screw	2
5	728 82 85-01	SCREW IHSETM	Screw IHSETM	4
6	734 11 65-41	WASHER	Washer	6
7	725 54 61-01	SCREW IHSCM	Screw IHSCM	2
8	585 38 33-02	SLEEVE	Sleeve	2
9	585 41 61-01	SPRING	Spring	1
10	585 41 73-01	SPRING	Spring	1
11	585 13 37-01	HANDLE	Handle	1
12	732 25 18-01	HEXAGON LOCKING NUT	Hexagon locking nut	15
13	585 38 31-01	WASHER	Washer	2
14	585 13 29-01	SPACER	Spacer	2
15	725 54 60-01	SCREW IHSCM	Screw IHSCM	12
16	585 13 33-01	PLATE	Plate	2
17	585 13 38-01	ROD	Rod	1
18	521 88 66-01	RIVET	Rivet	1
19	725 53 68-01	SCREW IHSCM	Screw IHSCM	1
20	734 11 52-01	WASHER	Washer	1

Go to Discount-Equipment.com to order your parts

E PG 400 PETROL
CHASSIS LOWER



Go to DiscountEquipment.com to order your parts

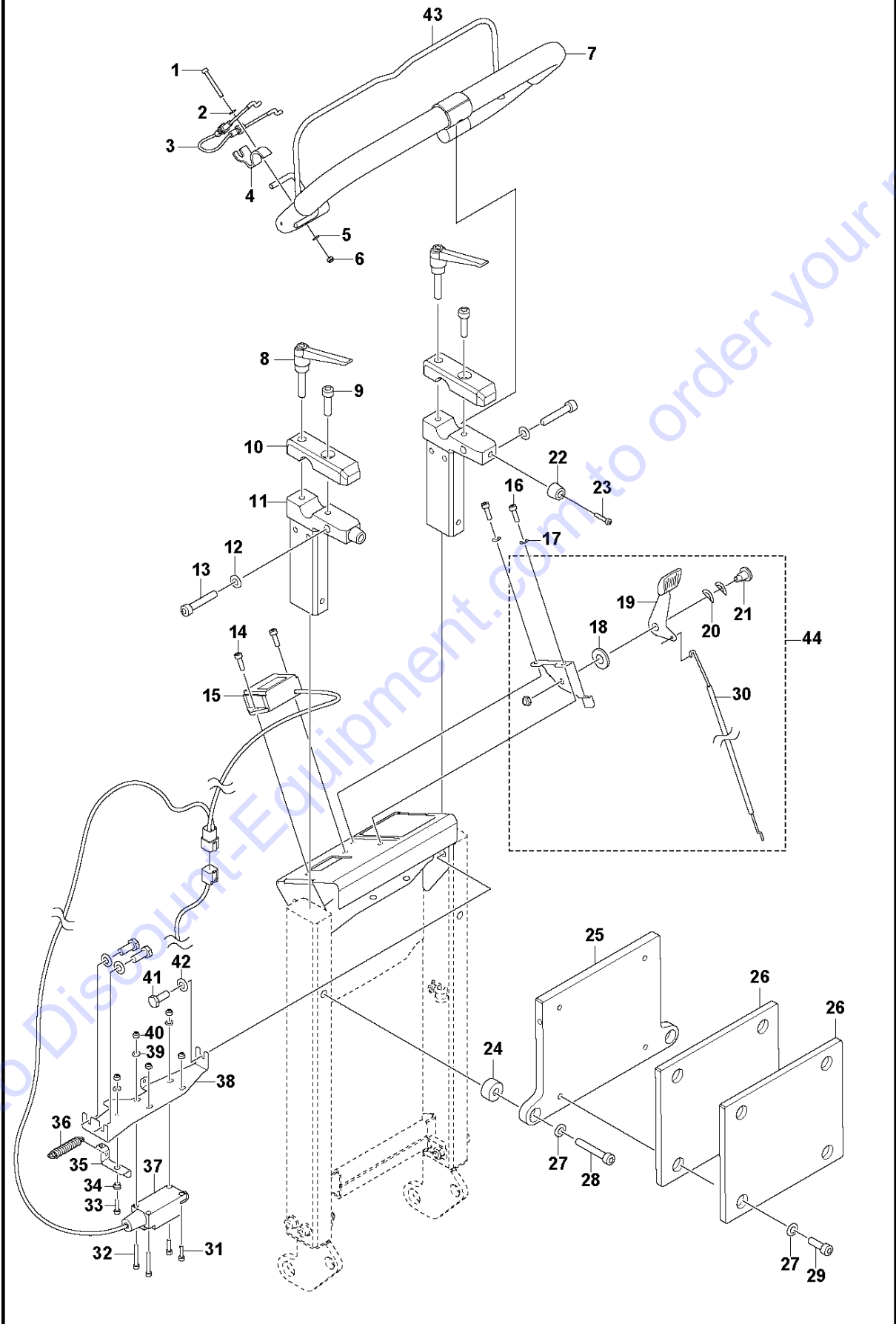
CHASSIS LOWER

PG 400 PETROL, 2020-04

Ref	Part No	Description	Remark	QTY KIT
1	585 13 29-01	SPACER	Spacer	2
2	585 13 35-01	SPACER	Spacer	2
3	585 41 60-01	BUSH	Bush	2
4	585 13 36-01	TUBE	Tube	1
5	582 56 33-04	FORK	Fork	1
6	585 38 30-01	BRACKET	Bracket	1
7	585 12 91-01	BUSH	Bush	2
8	585 12 90-02	TUBE	Tube	1
9	593 84 40-01	SUPPORT	Support	1
10	590 47 22-01	WING KNOB	Wing Knob	1
11	734 11 63-01	WASHER	Washer	28
12	725 54 61-01	SCREW IHSCM	Screw IHSCM	2
13	734 11 72-01	WASHER	Washer	2
14	725 54 91-01	SCREW IHSCM	Screw IHSCM	2
15	732 25 20-01	HEXAGON LOCKING NUT	Hexagon locking nut	2
16	734 11 72-01	WASHER	Washer	2
17	725 54 95-01	SCREW IHSCM	Screw IHSCM	2
18	725 54 49-01	SCREW IHSCM	Screw IHSCM	1
19	7255445301	TBD	Screw IHSCM	8
20	590 84 65-01	HOOK	Hook	1
21	599618701	TBD	Retainer Kit	1
22	582 56 33-03	FORK	Fork	1
23	592 65 27-01	CAP ASSY	Cap assy.	1

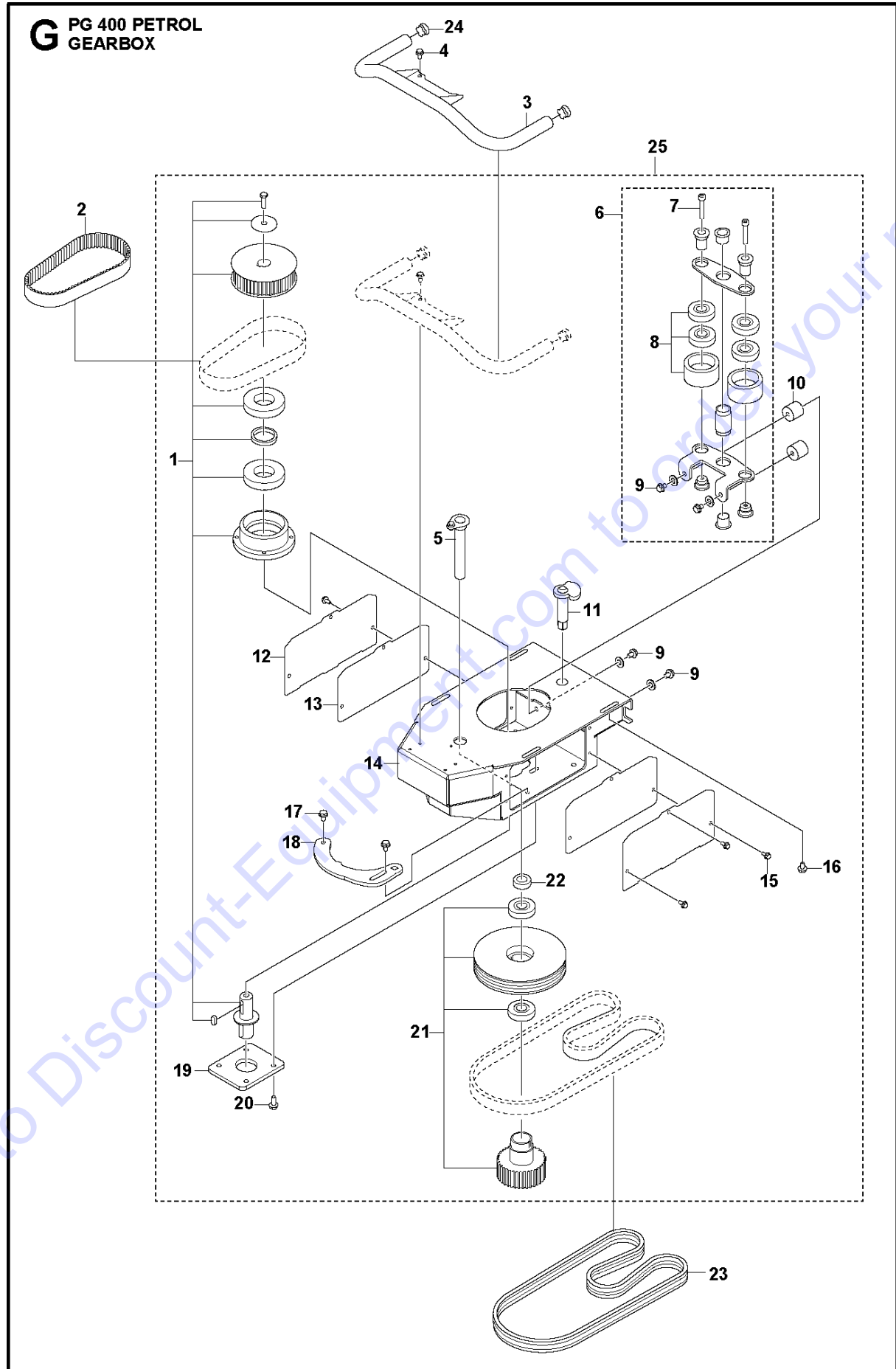
Go to Discount-Equipment.com to order your parts

F PG 400 PETROL
PANEL ASSEMBLY



Ref	Part No	Description	Remark	QTY	KIT
1	725 52 99-01	SCREW IHSCM	Screw IHSCM	1	
2	734 11 36-01	WASHER	Washer	4	
3	593 80 61-01	WIRE	Wire	1	
4	593 80 05-01	BRACKET	Bracket	1	
5	734 11 36-01	WASHER	Washer	4	
6	732 25 12-01	HEXAGON LOCKING NUT	Hexagon locking nut	1	
7	599618601	TBD	Handle Kit	1	
8	590 37 37-01	LOCKING HANDLE	LOCKING HANDLE	2	
9	725 54 55-01	SCREW IHSCM	Screw IHSCM	2	
10	585 51 66-01	BRACKET	BRACKET	2	
11	589 83 77-01	BRACKET	Bracket	2	
12	734 11 63-01	WASHER	Washer	28	
13	725 54 60-01	SCREW IHSCM	Screw IHSCM	12	
14	725 53 29-01	SCREW IHSCM	Screw IHSCM	4	
15	588 62 64-01	METER	hour counter with cable	1	
16	725 53 29-01	SCREW IHSCM	Screw IHSCM	4	44
17	734 11 46-01	WASHER	Washer	4	44
18	587696401	TBD	Washer	1	44
19	587696201	TBD	Lever	1	44
20	587696601	TBD	Washer	2	44
21	725 24 53-71	SCREW EHHM	Screw	1	44
22	585 51 68-01	RUBBER SHOE	Rubber shoe	2	
23	725 52 95-01	SCREW IHSCM	Screw IHSCM	2	
24	590 20 34-01	BUSHING	Bushing	2	
25	589 83 71-01	COUNTERWEIGHT	Counterweight	1	
26	589 83 72-01	COUNTERWEIGHT	Counterweight	1	
27	734 11 63-01	WASHER	Washer	28	
28	725 54 60-01	SCREW IHSCM	Screw IHSCM	12	
29	725 54 53-01	SCREW IHSCM	Screw IHSCM	8	
30	587 69 69-01	CABLE	Cable	1	
31	725 52 93-01	SCREW IHSCM	Screw IHSCM	3	
32	725 52 99-01	SCREW IHSCM	Screw IHSCM	2	
33	725 52 93-01	SCREW IHSCM	Screw IHSCM	3	
34	592 64 82-01	SPACER	Spacer	1	
35	593 74 27-01	BRACKET	Bracket	1	
36	590 78 88-01	SPRING	Spring	1	
37	590 18 13-01	MICRO SWITCH	Micro switch	1	
38	593 74 25-01	BRACKET	Bracket	1	
39	734 11 36-01	WASHER	Washer	6	
40	732 25 12-01	HEXAGON LOCKING NUT	Hexagon locking nut	5	
41	725 24 51-71	SCREW EHHM	Screw EHHM	4	
42	734 11 63-01	WASHER	Washer	4	
43	592 65 19-01	BAIL	Spring cotter	1	
44	587 69 69-01	CABLE	Throttle	1	

Go to Discount Equipment.com to order your parts



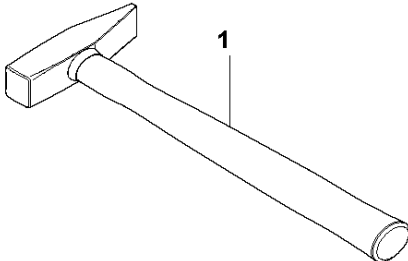
GEARBOX

PG 400 PETROL, 2020-04

Ref	Part No	Description	Remark	QTY	KIT
1	598 41 69-01	HUB ASSY	Hub Timing Belt	1	25
2	598 39 60-01	BELT	Belt Timing	1	
3	598 41 08-01	HANDLE	Handle	1	
4	585 97 33-01	SCREW EHHFM	Screw EHHFM	11	
5	598 39 88-01	SHAFT ASSY	Shaft Assy	1	25
6	598 42 06-01	PIVOT WHEEL ASSY	Pivot wheel assy	1	25
7	725 54 60-01	SCREW IHSCM	SCREW IHSCM	2	25, 6
8	598 39 49-01	PULLEY	Idler Pulley	2	25,6
9	598 70 01-01	SCREW	Screw	10	25, 6
10	598 39 67-01	DAMPER	Damper	2	25
11	598 39 87-01	TENSIONER	Tensioner	1	25
12	598 39 68-01	PLATE	Side Cover Gearbox	2	25
13	598 39 69-01	GASKET	Gasket Side Cover	2	25
14	598 39 89-01	CHASSIS	Cage Gearbox	1	25
15	585 97 33-01	SCREW EHHFM	Screw EHHFM	11	25
16	597 70 01-01	PACKING SYSTEM	Screw	10	25
17	598 70 01-01	SCREW	Screw	10	25
18	598 39 70-01	TENSIONER	Tensioner	1	25
19	598 39 61-01	PLATE	Plate	1	25
20	585 97 54-01	SCREW EHHFM	Screw EHHFM	4	25
21	598 39 90-01	PULLEY ASSY	Pulley Assembly	1	25
22	598 39 43-01	BUSHING	Bushing	2	25
23	598 39 46-01	BELT	Belt Multi Rib	1	
24	598 82 94-01	PLUG	End Plug	2	
25	598 03 42-01	GEARBOX ASSY	Gear Box Assy	1	

Go to Discount-Equipment.com to order your parts

H PG 400 PETROL
ACCESSORIES

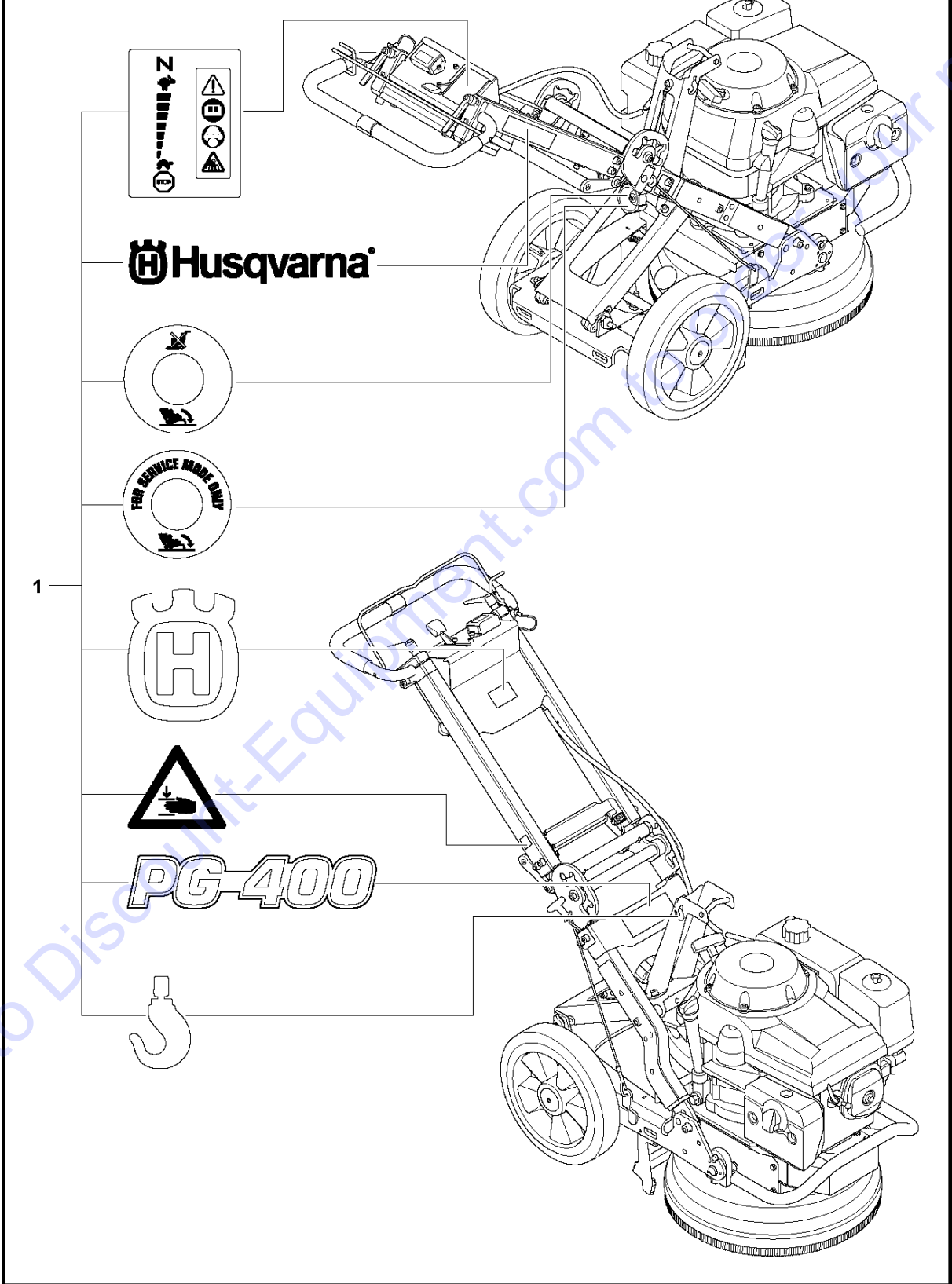


Go to Discount-Equipment.com to order your parts

Ref	Part No	Description	Remark	QTY KIT
1	522 03 97-01	HAMMER	Hammer	1

Go to Discount-Equipment.com to order your parts

J PG 400 PETROL
DECALS



Go to Discount-Equipment.com for parts

Ref	Part No	Description	Remark	QTY KIT
1	599618401	TBD	Decal Kit	1

Go to Discount-Equipment.com to order your parts

PARTS FINDER

**Search Website
by Part Number**



**Search Manual
Library For Parts
Manual & Lookup Part
Numbers – Purchase
or Request Quote**

Search Manuals

Enter your information to help us find the right parts manual for your machine.

* Brand:

* Model:

* Serial:

* Part Number:

SEARCH

**Can't Find Part or
Manual? Request Help
by Manufacturer,
Model & Description**

Parts Order Form

Please fill in the following information to help us find the right part for your machine.

MANUFACTURER:

MODEL:

DESCRIPTION:

SEARCH

Discount-Equipment.com is your online resource for quality parts & equipment.

Florida: **561-964-4949** Outside Florida TOLL FREE: **877-690-3101**

Need parts?

Click on this link: <http://www.discount-equipment.com/category/5443-parts/> and choose one of the options to help get the right parts and equipment you are looking for. Please have the machine model and serial number available in order to help us get you the correct parts. If you don't find the part on the website or on one of the online manuals, please fill out the request form and one of our experienced staff members will get back to you with a quote for the right part that your machine needs.

We sell worldwide for the brands: Genie, Terex, JLG, MultiQuip, Mikasa, Essick, Whiteman, Mayco, Toro Stone, Diamond Products, Generac Magnum, Airman, Haulotte, Barreto, Power Blanket, Nifty Lift, Atlas Copco, Chicago Pneumatic, Allmand, Miller Curber, Skyjack, Lull, Skytrak, Tsurumi, Husquvarna Target, Stow, Wacker, Sakai, Mi-T-M, Sullair, Basic, Dynapac, MBW, Weber, Bartell, Bennar Newman, Haulotte, Ditch Runner, Menegotti, Morrison, Contec, Buddy, Crown, Edco, Wyco, Bomag, Laymor, EZ Trench, Bil-Jax, F.S. Curtis, Gehl Pavers, Heli, Honda, ICS/PowerGrit, IHI, Partner, Imer, Clipper, MMD, Koshin, Rice, CH&E, General Equipment, Amida, Coleman, NAC, Gradall, Square Shooter, Kent, Stanley, Tamco, Toku, Hatz, Kohler, Robin, Wisconsin, Northrock, Oztec, Toker TK, Rol-Air, APT, Wylie, Ingersoll Rand / Doosan, Innovatech, Con X, Ammann, Mecalac, Makinex, Smith Surface Prep, Small Line, Wanco, Yanmar