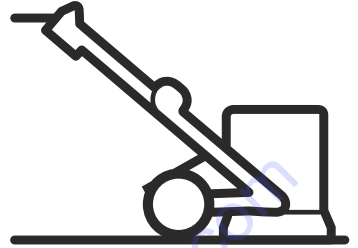




# Husqvarna®



## PG 400 Petrol

EN	Operator's manual	2-20
DE	Bedienungsanweisung	21-41
FR	Manuel d'utilisation	42-62
NL	Gebruiksaanwijzing	63-83

**TO PURCHASE THIS PRODUCT PLEASE CONTACT US**



**Equipment Financing and  
Extended Warranties Available**



**Discount-Equipment.com is your online resource for  
commercial and industrial quality parts and equipment sales.**

**561-964-4949**

**visit us on line @ [www.discount-equipment.com](http://www.discount-equipment.com)**

Select an option below to find your Equipment

**Search by Manufacturer**

**Search by Product Type**

**Request a Quote**

We sell worldwide for the brands: Genie, Terex, JLG, MultiQuip, Mikasa, Essick, Whiteman, Mayco, Toro Stone, Diamond Products, Generac Magnum, Airman, Haulotte, Barreto, Power Blanket, Nifty Lift, Atlas Copco, Chicago Pneumatic, Allmand, Miller Curber, Skyjack, Lull, Skytrak, Tsurumi, Husquvarna Target, Stow, Wacker, Sakai, Mi-T-M, Sullair, Basic, Dynapac, MBW, Weber, Bartell, Bennar Newman, Haulotte, Ditch Runner, Menegotti, Morrison, Contec, Buddy, Crown, Edco, Wyco, Bomag, Laymor, EZ Trench, Bil-Jax, F.S. Curtis, Gehl Pavers, Heli, Honda, ICS/PowerGrit, IHI, Partner, Imer, Clipper, MMD, Koshin, Rice, CH&E, General Equipment, Amida, Coleman, NAC, Gradall, Square Shooter, Kent, Stanley, Tamco, Toku, Hatz, Kohler, Robin, Wisconsin, Northrock, Oztec, Toker TK, Rol-Air, APT, Wylie, Ingersoll Rand / Doosan, Innovatech, Con X, Ammann, Mecalac, Makinex, Smith Surface Prep, Small Line, Wanco, Yanmar

---

## Contents

---

Introduction.....	2	Transportation and storage.....	16
Safety.....	4	Technical data.....	17
Operation.....	7	EC Declaration of Conformity.....	20
Maintenance.....	13	.....	0
Troubleshooting.....	16		

---

## Introduction

---

### Product description

The product is a grinder with a 4-stroke gasoline combustion engine. The product is used for heavy surface removal and to prepare floors. The product works together with an external dust extractor.

The product has these functions:

- A grind width of 400 mm.
- A grinding head cover that adjusts to the movement of the surface layer.
- A grinding head with 1 disc.
- Can hold 9 diamond tools.
- A frame that can be folded for easier transport and storage.

### Intended use

The product is used for light commercial operations at private properties and small commercial spaces.

Use the product on horizontal surfaces only.

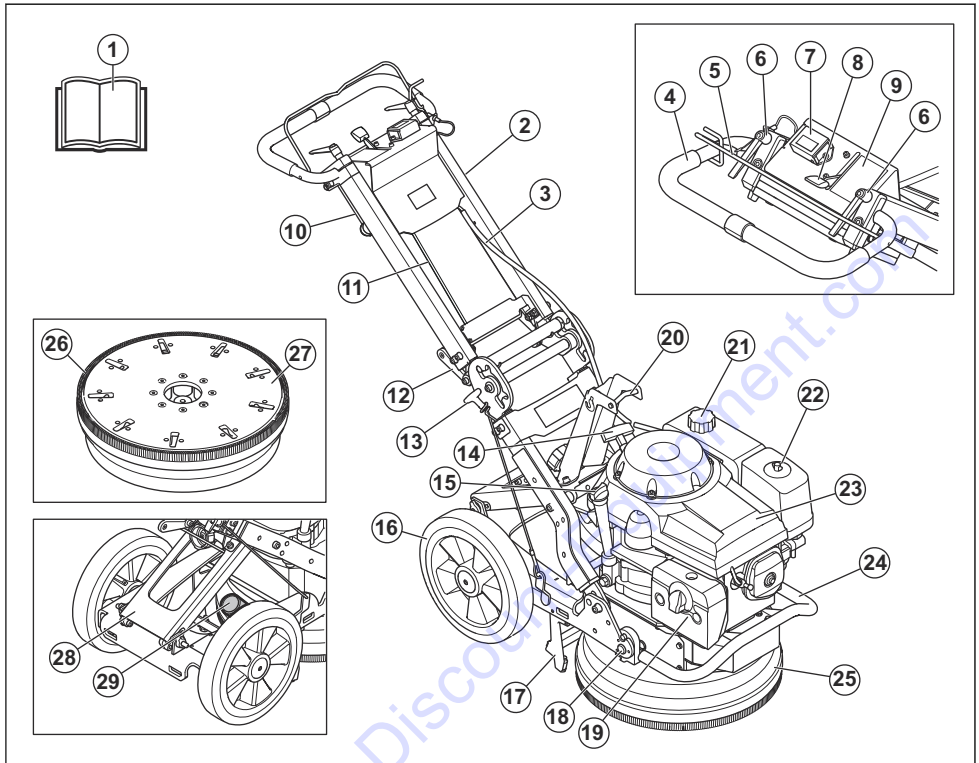
Use the product to grind concrete surfaces with different hardness such as terazzo and stone tiles.



**WARNING:** Do not use the product for other tasks.

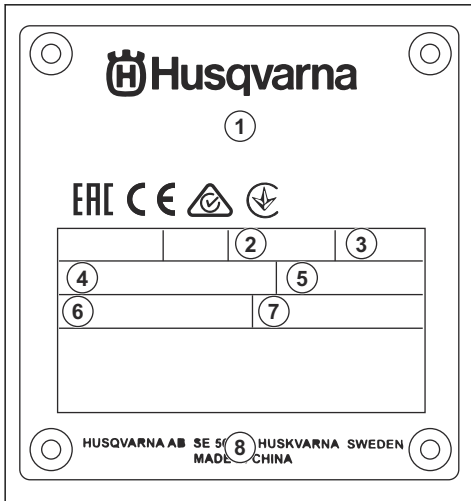
---

## Product overview



- |   |                                |
|---|--------------------------------|
| 1. Operator's manual  | 21. Fuel tank cap              |
| 2. Handle   | 22. Air filter                 |
| 3. Cable for the operator presence control.                           | 23. Engine                     |
| 4. Handlebar  | 24. Engine guard               |
| 5. Operator presence control  | 25. Grinding head cover        |
| 6. Lock knobs for handlebar adjustment                                | 26. Brush strip                |
| 7. Hour meter   | 27. Tool plate                 |
| 8. Throttle control   | 28. Support frame              |
| 9. Throttle decal   | 29. Connection for vacuum hose |
| 10. Counterweights  |                                |
| 11. Throttle wire   |                                |
| 12. Angle joint handle  |                                |
| 13. Startup support handle  |                                |
| 14. Starter rope handle   |                                |
| 15. Oil tank cap  |                                |
| 16. Rubber wheel  |                                |
| 17. Startup support   |                                |
| 18. Lock bolt to attach the engine and the grinding head to the frame |                                |
| 19. Muffler   |                                |
| 20. Lifting eye   |                                |

## Type plate



1. Model
2. Power output, kW
3. Maximum speed, rpm
4. Grind area, mm
5. Weight, kg
6. Production year and serial number
7. Production number
8. Manufacturer address

## Product liability

As referred to in the product liability laws, we are not liable for damages that our product causes if:

- the product is incorrectly repaired.
- the product is repaired with parts that are not from the manufacturer or not approved by the manufacturer.
- the product has an accessory that is not from the manufacturer or not approved by the manufacturer.
- the product is not repaired at an approved service center or by an approved authority.

## Safety

### Safety definitions

Warnings, cautions and notes are used to point out specially important parts of the manual.



**WARNING:** Used if there is a risk of injury or death for the operator or bystanders if the instructions in the manual are not obeyed.



**CAUTION:** Used if there is a risk of damage to the product, other materials or the adjacent area if the instructions in the manual are not obeyed.

**Note:** Used to give more information that is necessary in a given situation.

### General safety instructions



**WARNING:** Read the warning instructions that follow before you use the product.

- This product is a dangerous tool if you are not careful or if you use the product incorrectly. This product can cause serious injury or death to the operator or others. Before you use the product, you must read and understand the contents of this operator's manual.
- Save all warnings and instructions.
- Comply with all applicable laws and regulations.
- The operator and the employer of the operator must know and prevent the risks during operation of the product.
- Do not let a person operate the product unless they read and understand the contents of the operator's manual.
- Do not operate the product unless you receive training before use. Make sure that all operators receive training.
- Do not let a child operate the product.
- Only let approved persons operate the product.
- The operator is responsible for accidents that occur to other persons or their property.
- Do not use the product if you are tired, ill, or under the influence of alcohol, drugs or medicine.
- Always be careful and use your common sense.
- This product produces an electromagnetic field during operation. This field can under some circumstances interfere with active or passive medical implants. To decrease the risk of serious injury or death, we recommend persons with medical implants to speak to their physician and the medical implant manufacturer before operating this product.
- Keep the product clean. Make sure that you can clearly read signs and decals.
- Do not use the product if it is defective.
- Do not do modifications to this product.
- Do not operate the product if it is possible that other persons have done modifications to the product.

## Safety instructions for operation

---



**WARNING:** Read the warning instructions that follow before you use the product.

---

- Use personal protective equipment. Refer to *Personal protective equipment on page 5*.
- Overexposure to vibration can cause circulatory damage or nerve damage to persons with decreased blood circulation. Get medical aid if you have symptoms of overexposure to vibration. These symptoms include numbness, loss of feeling, tingling, pricking, pain, loss of strength, changes in skin color or condition. These symptoms usually show in the fingers, hands or wrists.
- Before you go away from the product, stop the engine and make sure that there is no risk of accidental start.
- Only start the product with the brush strip attached. The brush strip must seal tightly to the surface, especially during dry surface operations.
- Make sure that the brush strip is clean and not damaged. Replace a damaged brush strip.
- When dry grinding, connect the product to a dust extractor for removal of the dust.
- Keep the dust extractor on until the engine stops fully.
- Make sure that the grinding head does not touch the surface when you start the product.
- Make sure that only approved persons are in the work area.
- Do not use the product in areas where fire or explosions can occur.
- Always disassemble the diamond tool after each operation.
- When you remove diamond tools, let the product become cool and use protective gloves. Diamond tools are very hot after use.
- Make sure that the product is assembled correctly.
- To lift the product, always use the lifting eye of the product.
- Only operate the product from behind with your 2 hands on the handle.
- Only operate the product on horizontal surfaces.
- Be very careful when you move the product up and down ramps. The product is heavy and there is a risk of injury if the product falls or moves too quickly. For ramps with a large angle, always use a winch. Do not walk or stay below the product.
- Always keep the 2 wheels on the ground during operation.
- Make sure that you know how to stop the engine quickly in an emergency.
- Make sure that clothing, long hair and jewelry do not get caught in moving parts
- Make sure that you are in a safe and stable position during operation.

- Sudden appearance of persons and animals can prevent safe operation of the product. Always operate the product carefully and be prepared to stop the product if it is necessary.
- Do not operate the product unless you can get aid if an accident occurs
- Always use approved accessories. Speak to Discount-equipment for more information.

## Personal protective equipment

---



**WARNING:** Read the warning instructions that follow before you use the product.

---

- Always use correct personal protective equipment when you operate the product. The personal protective equipment does not erase the risk of injury. The personal protective equipment decreases the grade of injury if an accident occurs. Let your dealer help you select the right equipment.
- Use approved eye protection while you operate the product.
- Do not use loose, heavy and not applicable clothing. Use clothes that let you move freely.
- Use approved protective gloves that enables a solid hold.
- Use an approved protective helmet.
- Always use approved hearing protection while you operate the product. Noise for a long period can cause noise-induced hearing loss.
- The product makes dust and fumes that contain dangerous chemicals. Use an approved respiratory protection.
- Use boots with steel toe-caps and non-slip soles.
- Make sure that you have a first aid kit near.
- Sparks can occur when you operate the product. Make sure that you have a fire extinguisher near.

## Exhaust fumes safety

---



**WARNING:** Read the warning instructions that follow before you use the product.

---

- The exhaust fumes from the engine contain carbon monoxide which is an odourless, poisonous and very dangerous gas. To breathe carbon monoxide can cause death. Because carbon monoxide is odourless and cannot be seen, it is not possible to sense it. A symptom of carbon monoxide poisoning is dizziness, but it is possible that a person becomes unconscious without warning if the quantity or concentration of carbon monoxide is sufficient.
- Exhaust fumes also contain unburned hydrocarbons including benzene. Long-term inhalation can cause health problems.
- Exhaust fumes that you can see or smell also contain carbon monoxide.

- Do not use a combustion engine product indoors or in areas that do not have sufficient airflow.
- Do not breathe the exhaust fumes.
- Make sure that the airflow in the work area is sufficient. This is very important when you operate the product in trenches or other small work areas where exhaust fumes can easily collect.

## Noise safety



**WARNING:** Read the warning instructions that follow before you use the product.

- High noise levels and long-term exposure to noise can cause noise-induced hearing loss.
- To keep the noise level to a minimum, do maintenance on and operate the product as given in the operator's manual.
- Use approved hearing protection while you operate the product.
- Listen for warning signals and voices when you use hearing protection. Remove the hearing protection when the product is stopped, unless hearing protection is necessary for the noise level in the work area.

## Safety devices on the product



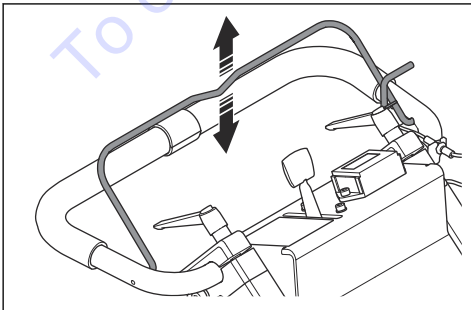
**WARNING:** Read the warning instructions that follow before you use the product.

- Do not use a product with defective safety devices.
- Do a check of the safety devices regularly. If the safety devices are defective, speak to Discount-equipment.

### To do a check of the operator presence control

The operator presence control stops the engine. When the operator presence control is released, the engine stops.

- Start the engine and then release the operator presence control. If the engine does not stop in 3 seconds, let an Discount-equipment correct the operator presence control.



## Muffler

The muffler keeps the noise levels to a minimum and sends the exhaust fumes away from the operator.

Do not use the product if the muffler is missing or defective. A defective muffler increases the noise level and the risk of fire.



**WARNING:** The muffler becomes very hot during and after use and when the engine operates at idle speed. Be careful near flammable materials and/or fumes to prevent fire.

### To do a check of the muffler

- Examine the muffler regularly to make sure that it is attached correctly and not damaged.

## Fuel safety



**WARNING:** Read the warning instructions that follow before you use the product.

- Fuel is flammable and the fumes are explosive. Be careful with fuel to prevent injury, fire and explosion.
- Do not breathe in the fuel fumes. The fuel fumes are poisonous and can cause injury. Make sure that the airflow is sufficient.
- Do not remove the fuel tank cap or fill the fuel tank when the engine is on.
- Let the engine become cool before you refuel.
- Do not fill fuel in an indoor area. Not sufficient airflow can cause injury or death because of asphyxiation or carbon monoxide.
- Do not smoke near the fuel or the engine.
- Do not put hot objects near the fuel or the engine.
- Do not fill fuel near sparks or flames.
- Before you refuel, open the fuel tank cap slowly and release the pressure carefully.
- Fuel on your skin can cause injury. If you get fuel on your skin, use soap and water to remove the fuel.
- If you spill fuel on your clothing, change clothing immediately.
- Do not fill the fuel tank fully. Heat causes the fuel to expand. Keep a space at the top of the fuel tank.
- Tighten the fuel tank cap fully. If the fuel tank cap is not tightened, there is a risk of fire.
- Use the fuel tank cap with venting for operation and storage.
- Before you start the product, move the product to a minimum of 3 m/10 ft from where you refueled.
- Do not start the product if there is fuel or engine oil on the product. Remove the unwanted fuel and engine oil and let the product dry before you start the engine.

- Examine the engine for leaks regularly. If there are leaks in the fuel system, do not start the engine until the leaks are repaired.
- Do not use your fingers to examine the engine for leaks.
- Keep fuel in approved containers only.
- When the product and fuel is in storage, make sure that fuel and fuel fumes cannot cause damage.
- Drain the fuel in an approved container outdoors and away from sparks and flames.
- Do not use a product that is defective. Do the safety checks, maintenance and the servicing as given in this manual. All other maintenance work must be done by an approved service agent.
- Stop the product when you replace the diamond tools.
- Do the inspection and/or maintenance with the engine stopped.
- Always let the engine become cool before you do maintenance of the product.
- Make sure to do the maintenance of the product on stable horizontal ground.
- Do the maintenance to make sure that the product operates correctly. Refer to *Maintenance on page 13*

## Safety instructions for maintenance

- Always put the throttle control to stop position (A), before maintenance of the product, Refer to *Throttle control on page 11*.
- Keep all parts in good condition and make sure that all fixtures are correctly tightened.

## Operation

### Introduction



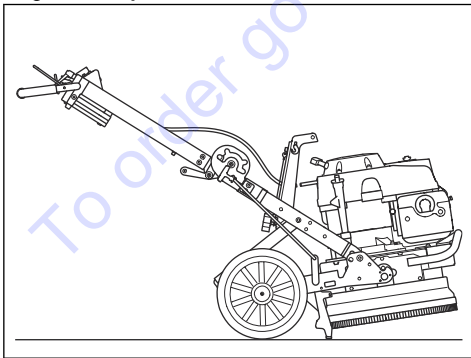
**WARNING:** Before you operate the product, you must read and understand the safety chapter.



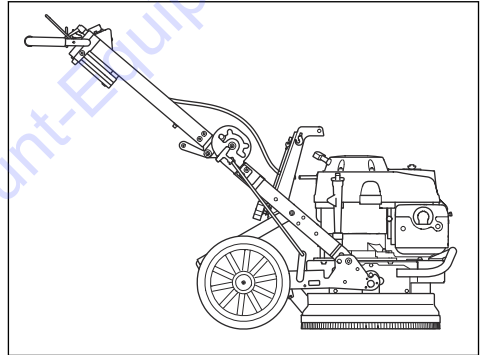
**WARNING:** Be careful when you adjust the handlebar between the operation position, the servicing position and the transport position. The handle is heavy and must be held tightly. Look around you before you adjust the handle position, to prevent damage or injury.

### Product positions

#### Engine start position



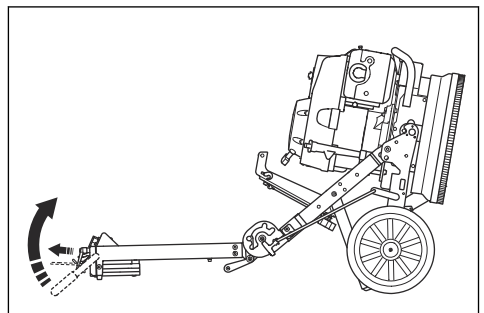
#### Operation position



#### Servicing position

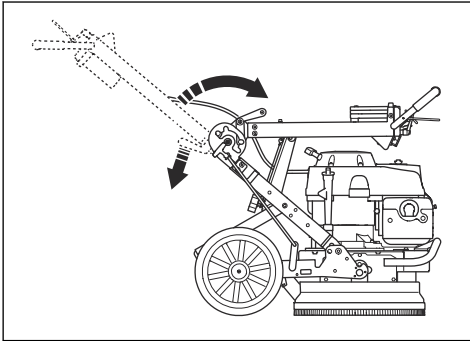


**CAUTION:** Only put the product in the servicing position on a horizontal surface.





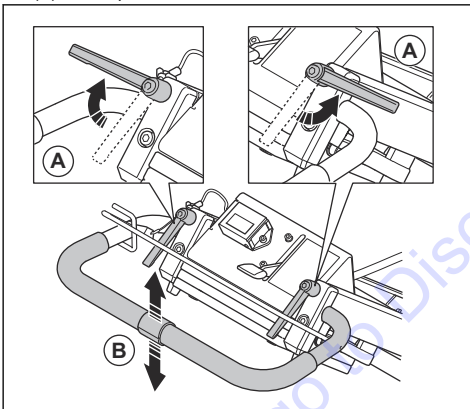
## Transport position



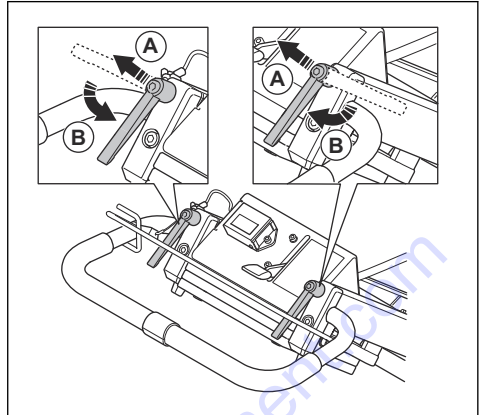
## To adjust the handlebar

The handlebar lock knobs are operated clockwise, counterclockwise or put in idle position.

1. Loosen the lock knobs (A) and adjust the handlebar (B) to idle position.



2. When the handlebar position is set, pull the handle lock knobs up (A) and put them into idle position (B).



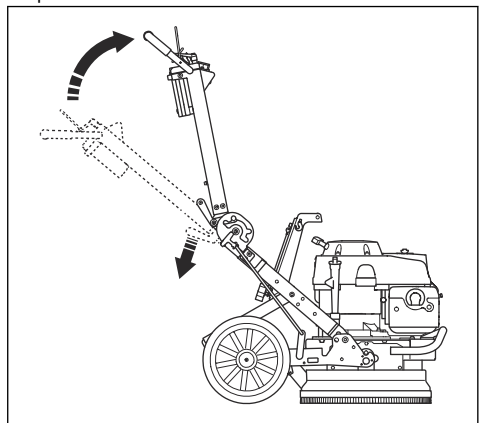
## Handle heights

Hole position	Handle height, mm/in.
Top	835/33
Center	925/36
Lower	1000/39

## To adjust the frame height

The angle of the frame can be changed to divide the weight of the chassis. This is to decrease or increase the grinding pressure against the surface.

1. Stop the engine. Refer to *To stop the product on page 12*.
2. Put 1 foot on the support frame. Use your hands to push the angle joint handle on the central hinge. At the same time fold the handle forward to transport position.

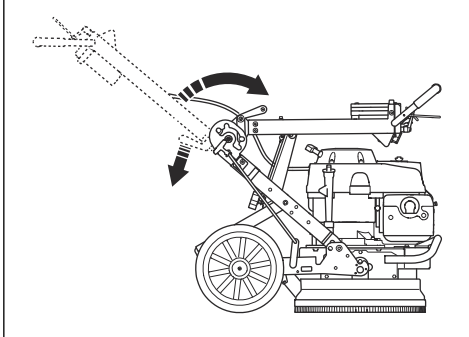




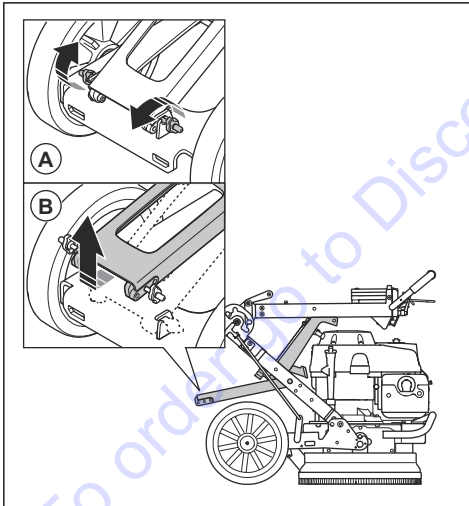
**WARNING:** Use 2 hands and 1 foot when you fold the handle.

**Note:** Put a protection between the engine and the electrical enclosure to prevent damage to the product.

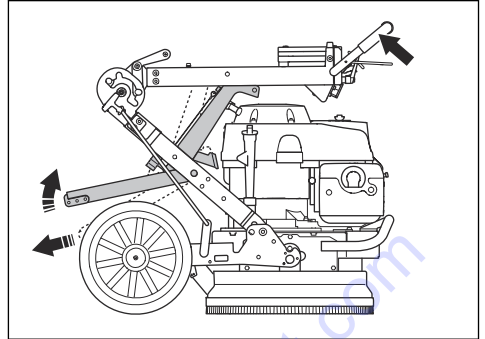
3. Make sure that the handle is fully folded.



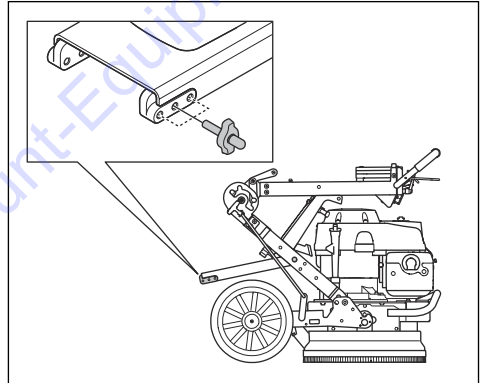
4. Remove the lock knobs (A) to loosen the support frame (B).



5. Hold the handlebar to keep the handle stable and lift the support frame out and up.



6. Select the applicable position for the support frame and tighten the lock knob. The bottom hole increases the grinding pressure and the height of the handlebar. The top hole decreases the grinding pressure and the height of the handlebar.



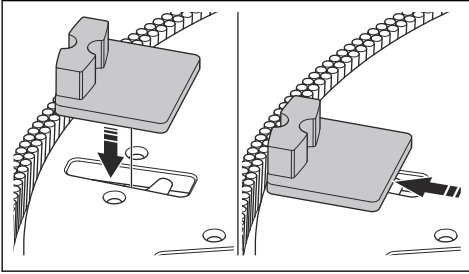
7. Put the product in operation position.

## Diamond tools

There are many types of diamond tools for the product. Speak to Discount-equipment to select correct diamond tool.

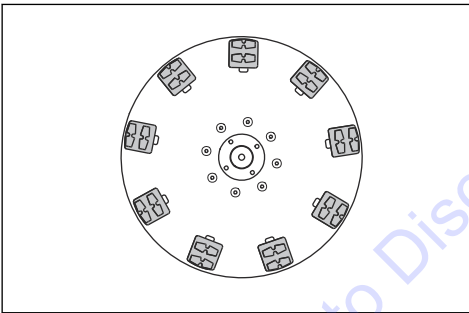
## Installation of the diamond tools

The tool plate uses the RediLock™ Dovetail system.



The installation of the diamond tools on the tool plate has effect on the performance of the product. The diamond tool type together with the number of segments on the diamond tool is important. Always use symmetrical sets of diamond tools to make sure that the balance of the grinding head is correct.

Metal bond diamond tools with 1 diamond segment increases the diamond tool pressure.



For the heaviest removal, we recommend tools that only have 1 direction of rotation and PCD diamond tool tops.

**Note:** PCD diamond tools such as the brand Piranha™ are made to operate in only 1 direction.

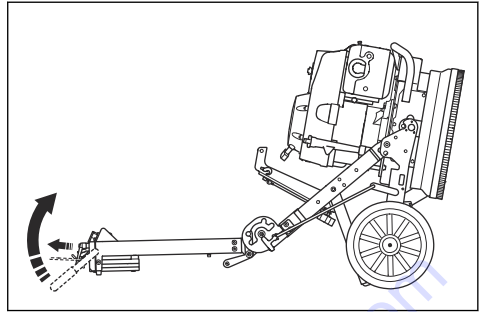
## To replace the diamond tools



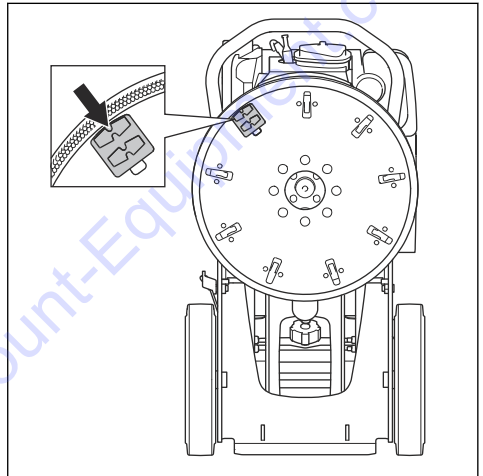
**WARNING:** Diamond tools can become very hot. Use protective gloves.

1. Make sure that the engine is off and that the operator presence control is not against the handlebar.

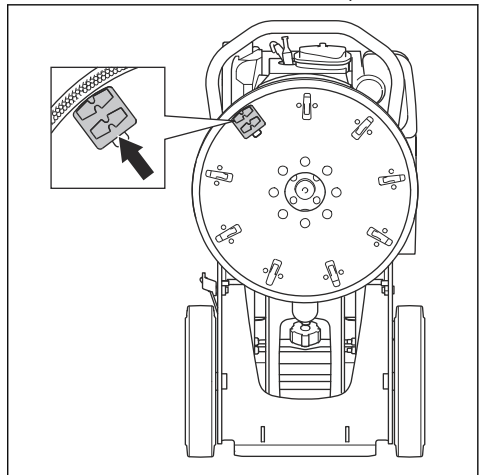
2. Put the product into servicing position.



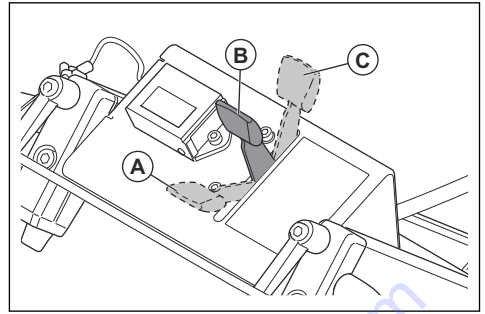
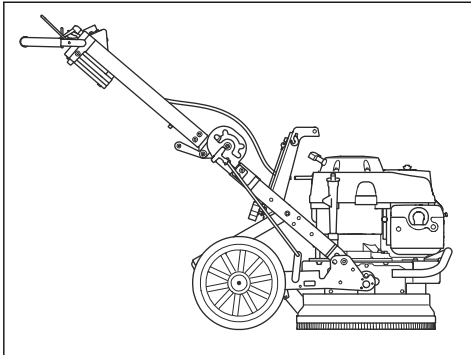
3. Use a hammer to remove the diamond tools.



4. Attach new diamond tools on the tool plate.



5. Put the product into operation position.

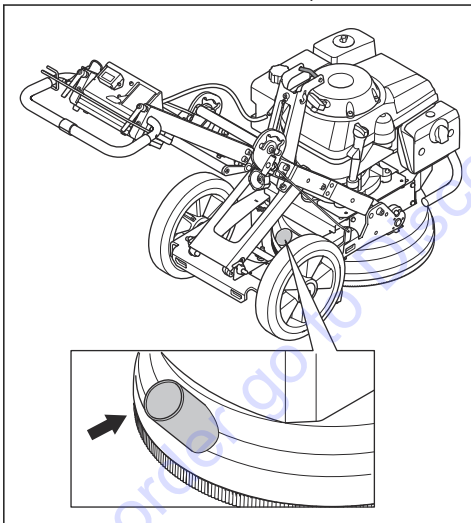


**WARNING:** Always put the throttle control in stop position (A) when you stop the product to prevent accidental start.

## To connect a dust extractor

When dry grinding, use a Husqvarna dust extractor system. Refer to *Technical data on page 17*. Recommended dust extractors are Husqvarna T 4000 Petrol or S 36.

1. Connect the dust extractor to the product.



2. Make sure that the filters in the dust extractor are clean and not damaged. Monitor the dust during the operation.

## Throttle control

The throttle control has 3 available positions:

- Stop position (A).
- Operation mode position (B).
- Start position/choke position (C).

## To control the operation direction

During operation, the product can pull to the sides. The direction of the pull is related to the direction of rotation of the grinding head and how the product is operated.

- Always keep the 2 wheels on the ground during operation of the product.
- Apply the side forces on the handle to steer the product.
- Always hold the handle tightly with 2 hands to stay stable and make sure that the product does not move laterally.

## To fill fuel

If available, use low-emission/alkylate gasoline. If low-emission/alkylate gasoline is not available, use good quality unleaded gasoline or leaded gasoline with octane number not less than 90.



**CAUTION:** Do not use gasoline with an octane number less than 90 RON (87 AKI). This can cause damage to the product.

1. Open the fuel tank cap slowly to release the pressure.
2. Fill slowly with a fuel can. If you spill fuel, remove it with a cloth and let remaining fuel dry off.
3. Clean the area around the fuel tank cap.
4. Tighten the fuel tank cap fully. If the fuel tank cap is not tightened, there is a risk of fire.
5. Move the product a minimum of 3 m (10 ft) from the position where you filled the tank before a start.

## 2 different fuel tank caps

The product is supplied with 2 different fuel tank caps.

- The fuel tank cap for operation is attached to the fuel tank. This fuel tank cap has venting and lets the engine operate.

- The fuel tank cap for servicing is a fully sealed tank cap. This fuel tank cap must only be used during service, to prevent leakage of fuel.

**Note:** The engine stops if the fuel tank cap for servicing is used for operation. With a fully sealed tank cap there is no suction of fuel from the engine.

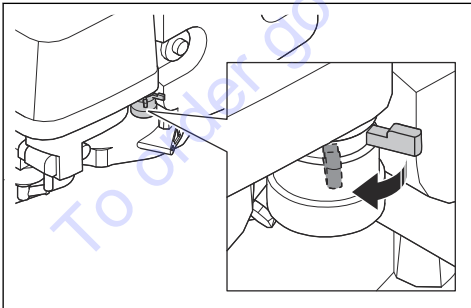
**Note:** An alternative decal for the sealed tank cap is supplied with the product.

## To do before you operate the product

1. Read the operator's manual carefully and make sure that you understand the instructions.
2. Use personal protective equipment. Refer to *Personal protective equipment on page 5*.
3. Do daily maintenance. Refer to *Maintenance schedule on page 13*.
4. Make sure that the product is assembled correctly and is not damaged.
5. Put the grinder on the work area. Make sure that the surface is horizontal.
6. Make sure that there are diamond tools on the grinding head and that they are tightly attached.
7. Connect the dust extractor to the product. Refer to *To connect a dust extractor on page 11*.
8. Adjust the handlebar to an applicable operation height. Refer to *To adjust the handlebar on page 8*.
9. Fill the fuel tank. Refer to *To fill fuel on page 11*.
10. Install the fuel tank cap that has venting.
11. Do a check of the oil level. Refer to *To do a check of the oil level on page 13*.

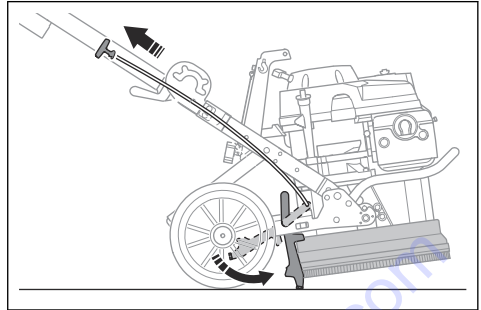
## To start the product

1. Open the fuel valve.

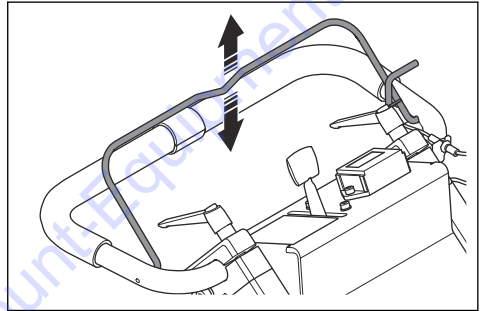


2. Set the throttle control in the correct position. Refer to *Throttle control on page 11*.
  - a) If you start with a cold engine, move the throttle control to the start position.
  - b) If you start with a warm engine, move the throttle control to the operation mode position.

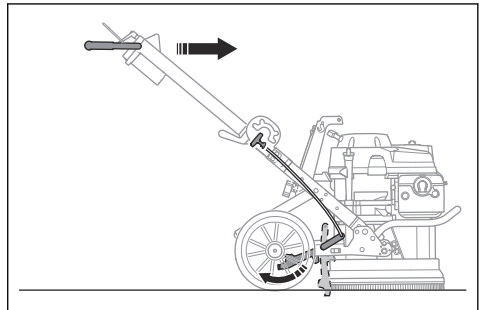
3. Tilt the grinding head and pull the startup support handle, to lift the diamond tools from the surface.



4. Hold the operator presence control against the handlebar with your left hand.



5. Pull the starter rope handle with your right hand.
6. When the engine operates smoothly, move the throttle control to operation mode position.
7. Move the product forward to release the startup support and lower the diamond tools.



## To stop the product



**CAUTION:** Do not lift the tool plate from the surface until the engine is fully stopped. Dust can go into the air and the surface can become damaged.

1. Release the operator presence control.

2. Keep the tool plate against the surface until it stops fully.

3. Set the throttle control to stop position.  
4. Close the fuel valve.

## Maintenance

### Introduction



**WARNING:** Before you do maintenance, you must read and understand the safety chapter.

For all servicing and repair work on the product, special training is necessary. We guarantee the availability of

professional repairs and servicing. If your dealer is not a service agent, speak to them for information about the nearest service agent.

### Maintenance schedule

The maintenance intervals are calculated from daily use of the product. The intervals change if the product is not used daily.

Maintenance	Each use	First month or after 20 h	Each 3 months or 50 h	Each 6 months or 100 h	Each year or 300 h
Clean the product.	X				
Do a check of the brush strip.	X				
Do a check of the oil level.	X				
Replace the oil.		X		X	
Examine the air filter.	X				
Clean the air filter.			X <sup>1</sup>		
Replace the air filter.					X
Examine the spark plug.				X	
Replace the spark plug.					X

### To clean the product

- Always clean all the equipment after use.
- Do not use a high-pressure washer to clean the product.
- Keep the air openings clean and clear to make sure that the product always has sufficiently cool temperature.

**Note:** Do not use compressed air to clean below the grinding head.

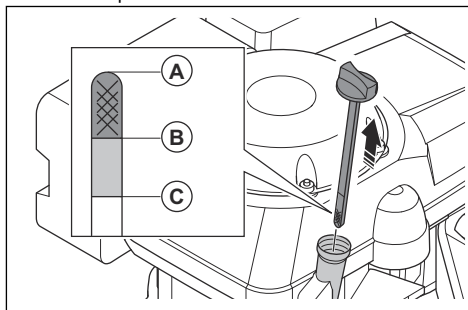
### To do a check of the oil level



**CAUTION:** To operate the product with a low oil level can cause damage to the engine.

1. Stop the engine. Refer to *To stop the product on page 12*.
2. Put the product on level ground.
3. Remove the oil tank cap.

4. Clean the oil from the dipstick that is attached to the oil tank cap.
5. Put the dipstick in the oil tank. Do not tighten it.
6. Pull the dipstick out and read the oil level.



- a) If the oil level is low (A), fill with engine oil and do a check of the oil level again. For correct oil type, refer to *Technical data on page 17*.

<sup>1</sup> Clean more frequently if the product is used in dirty areas.

- b) If the oil level is high (C), do not fill with more engine oil. The oil level must be between (A) and (B).
7. Tighten the oil tank cap correctly before you start the engine.

**Note:** The product has a system that tells you when the oil level is too low. If the buzzer sounds, stop the product and add oil.

## To replace engine oil

If the engine is cold, start the engine for 1–2 minutes before you drain the engine oil. This makes the engine oil warm and easier to drain.



**WARNING:** Engine oil is very hot directly after the engine stops. Let the engine become cool before you drain the engine oil. If you spill engine oil on your skin, clean with soap and water.

1. Put the product on level ground.
2. Put a container below the oil drain plug.
3. Remove the oil tank cap, the oil drain plug and the washer.

**Note:** Discard the washer.

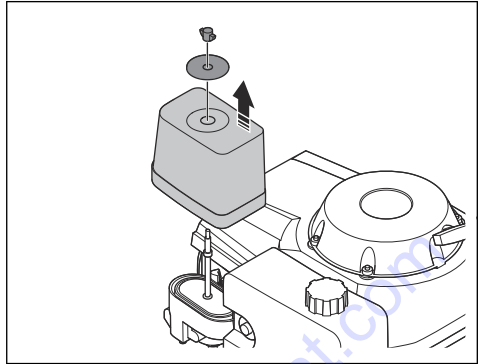
4. Tilt the product and let the oil run out into the container.
5. Put the engine in level position and fill the oil tank with recommended oil. Refer to *To do a check of the oil level on page 13* and *Technical data on page 17*.
6. Install a new washer, the oil drain plug and tighten the oil tank cap.

## To examine the air filter

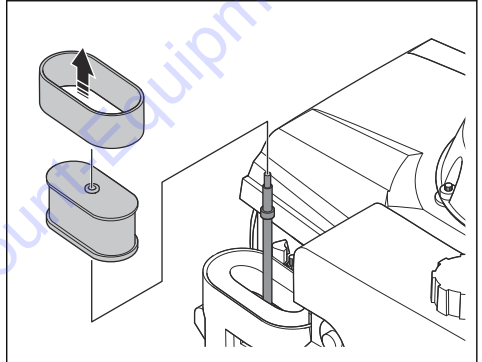


**CAUTION:** Do not use a product without an air filter or with a damaged air filter.

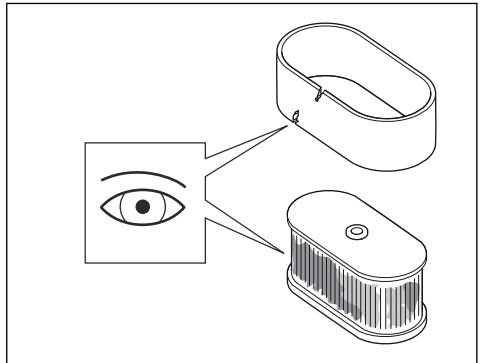
1. Remove the wing nut from the air filter cover, and remove the air filter cover.



2. Remove the air filter.
3. Remove the foam filter from the paper filter.



4. Examine the foam filter and the paper filter.



5. Replace damaged filters.
6. Replace the air filter as scheduled. Refer to *Maintenance schedule on page 13*.
7. Clean the foam filter and the paper filter if they are dirty. Refer to *To clean the air filter on page 15*.
8. Replace the air filter in the opposite sequence.

## To clean the air filter



**WARNING:** Use approved respiratory protection when you clean or replace the air filter. Discard used air filters correctly. The dust in the air filter is dangerous to your health.



**WARNING:** Do not clean the air filter with compressed air. This causes damage to the air filter and the risk increases that you breathe the dangerous dust.

1. Remove the air filter, refer to *To examine the air filter on page 14*.
2. Clean the air filter housing with a brush.
3. Tap the air filter against a hard surface or use a vacuum cleaner to remove the particles.



**CAUTION:** Do not let the nozzle of the vacuum cleaner touch the surface of the paper filter element. Keep a small distance. The sensitive surface of the paper filter element becomes damaged if objects touch it.

4. Examine the air filter for damage.
5. Discard the air filter if it is damaged.



**CAUTION:** Always replace a damaged air filter, or the dust will go into the engine and cause engine damage.

6. Clean the foam filter with soap and water.
7. Flush the foam filter in clean water.
8. Squeeze the water from the foam filter and let it dry.
9. Lubricate the foam filter with engine oil.
10. Press a clean cloth against the filter to remove unwanted oil.

**Note:** Smoke will come out from the engine if there is too much oil in the foam filter when the engine starts.

11. Put the air filter cover back. Refer to *To examine the air filter on page 14*.

## To do a check of the brush strip

- Make sure that the brush strip is not damaged and that it seals tightly against the floor.

## To examine the spark plug



**WARNING:** Let the spark plug become cool before you replace it.

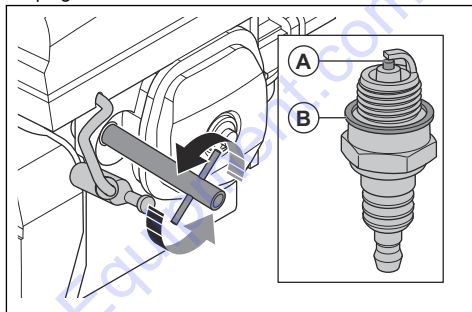


**CAUTION:** Always use a correct spark plug. Refer to *Technical data on page 17*.



**CAUTION:** Make sure that the spark plug has the correct distance and that it is clean from deposits.

1. Disconnect the spark plug cap, and remove dirt from the spark plug area.
2. Remove the spark plug with a 13/16 in./21mm spark plug wrench.



3. Examine the spark plug. Replace it if it is damaged, if the electrode (A) is worn or if the sealing washer (B) is in bad condition.
4. Measure the spark plug electrode gap with a feeler gauge for wires. Make sure that the distance is correct. Refer to *Technical data on page 17*.
5. If it is necessary, bend the side of side electrode carefully to correct the distance.
6. Install the spark plug carefully, by hand.
7. Tighten the spark plug with a 13/16 in./21mm spark plug wrench to compress the washer.
  - a) If you install a new spark plug, tighten  $\frac{1}{2}$  turn after the spark plug seats to the compressed washer.
  - b) If you install the same spark plug, tighten  $\frac{1}{4}$ - $\frac{1}{2}$  turn after the spark plug is against the compressed washer.



**CAUTION:** A loose spark plug can become too hot and cause damage to the engine. If the spark plug is too tight, it can cause damage to the top of the cylinder.

8. Attach the spark plug cap to the spark plug.



## Troubleshooting

### Troubleshooting schedule

Problem	Cause	Possible solutions
The product does not start.	The operator presence control is not engaged.	Hold the operator presence control against the handlebar when you pull the starter rope handle.
	There is no fuel in the fuel tank.	Fill the fuel tank with fuel. Refer to <i>To fill fuel on page 11</i> .
	There is no oil in the oil tank.	Fill the oil tank with oil. Refer to <i>To do a check of the oil level on page 13</i> .
The product is not easy to hold on to.	Too small number of diamond tools on grinding head.	Use the correct number of diamond tools. Refer to <i>Diamond tools on page 9</i> .
	The incorrect type of diamond tools for the surface.	
The product has sudden movements.	The diamond tools are not correctly installed.	Make sure that all diamond tools are installed correctly.
	The diamond tools have different heights.	Make sure that all diamond tools have the same height.
The product stops after a while.	The height and weight adjustment is not correct.	Make sure that the height and weight adjustment are correct. Refer to <i>To adjust the frame height on page 8</i> and <i>To adjust the handlebar on page 8</i> .
	To high load.	Attach more diamond tools or change to a harder bond.
	Incorrect fuel tank cap. Refer to <i>2 different fuel tank caps on page 11</i> .	Make sure to the fuel tank cap is fully tightened when you operate the product.
The product stops again when you start it.		Speak to an approved service center.

## Transportation and storage

### Transportation of the product

- Close the fuel valve. Refer to *To start the product on page 12*.
- Safely attach the product during transport to prevent damages and accidents.
- Put some type of protection on the product during transportation. The protection keeps natural elements such as rain and snow away from the product.
- Always use the lifting eye that is attached to the product when you lift and move the product.

- Always use approved containers for storage and transportation of fuel.
- Empty the fuel tank before you put the product in storage for a long period of time. Discard the fuel at an applicable disposal location.
- Keep the product in a locked area to prevent access for children or persons that are not approved.
- Keep the product in a dry and frost free area.

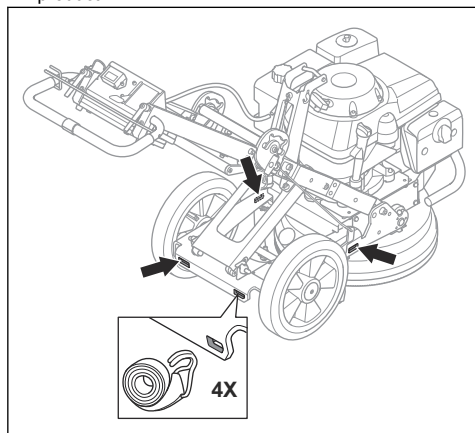
### To set the product in transport position

- To set the product in transport position, refer to *To adjust the frame height on page 8*.

## To attach the product to a transportation vehicle

Attach the product during transportation to prevent accidents and damage to the equipment.

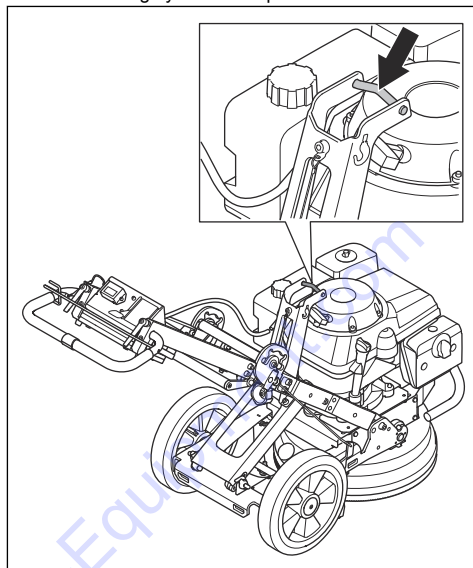
1. Attach tie-down straps in the related holes on the product.



2. Attach and tighten the tie-down straps to the transportation vehicle.

## To lift the product

1. Use the lifting eye to lift the product.



2. Lift the product safely. Let a bystander help you when you lift the product.

## Technical data

### Technical data

Engine	
Engine model	HondaGXV 390
Engine type	4-stroke, overhead valve, 1 cylinder
Net engine output kW/hp @rpm <sup>2</sup>	7.6/10.2@3600
Rotation speed - grinding disc, rpm @ idle-max	440-1125
Grinding width, mm/in.	400/15.75
Grinding pressure	
Handle in low position, kg/lbs	62/137
Handle in middle position, kg/lbs	64/141
Handle in high position, kg/lbs	69/152

<sup>2</sup> As specified by the engine manufacturer. The power rating of the engine indicated is the average net output (at specified rpm) of a typical production engine for the engine model measured to SAE standard J1349/ISO1585. Mass production engines may differ from this value. Actual power output for the engine installed on the final product will depend on the operating speed, environmental conditions and other values.

<b>Ignition system</b>	
Spark plug	BPR5ES (NGK) or W16EPR-U (DENSO)
Electrode gap, mm/in.	0.7-0.8/0.028-0.031
<b>Fuel and lubrication system</b>	
Fuel tank capacity, l	2.1
Fuel type	Unleaded regular (maximum 10% ethanol)
<b>Weight</b>	
Without fuel, kg/lbs	140/308
Recommended oil	4-stroke motor oil, classification SJ, SL or equivalent. <sup>3</sup>
<b>Recommended dust extractor</b>	
Min. Air flow, m <sup>3</sup> /h/CFM	400/236
Min. Vacuum, kPa/psi	322/3.2
Min. Water lift, m/in.	2.3/90
Dust extractor attachment, mm/in.	50/2
<b>Noise emissions<sup>4</sup></b>	
Sound power level L <sub>WA</sub> WA (measured) dB(A)	102
<b>Sound levels<sup>5</sup></b>	
Sound pressure level L <sub>pA</sub> dB(A)	88
<b>Vibration levels<sup>6</sup></b>	
Handle right, m/s <sup>2</sup>	4.6
Handle left, m/s <sup>2</sup>	3.8

## Noise and vibration declaration statement

These declared values were obtained by laboratory type testing in accordance with the stated directive or standards and are suitable for comparison with the declared values of other products tested in accordance with the same directive or standards. These declared

values are not suitable for use in risk assessments and values measured in individual work places may be higher. The actual exposure values and risk of harm experienced by an individual user are unique and depend upon the way the user works, in what material the product is used, as well as upon the exposure time and the physical condition of the user, and the condition of the product.

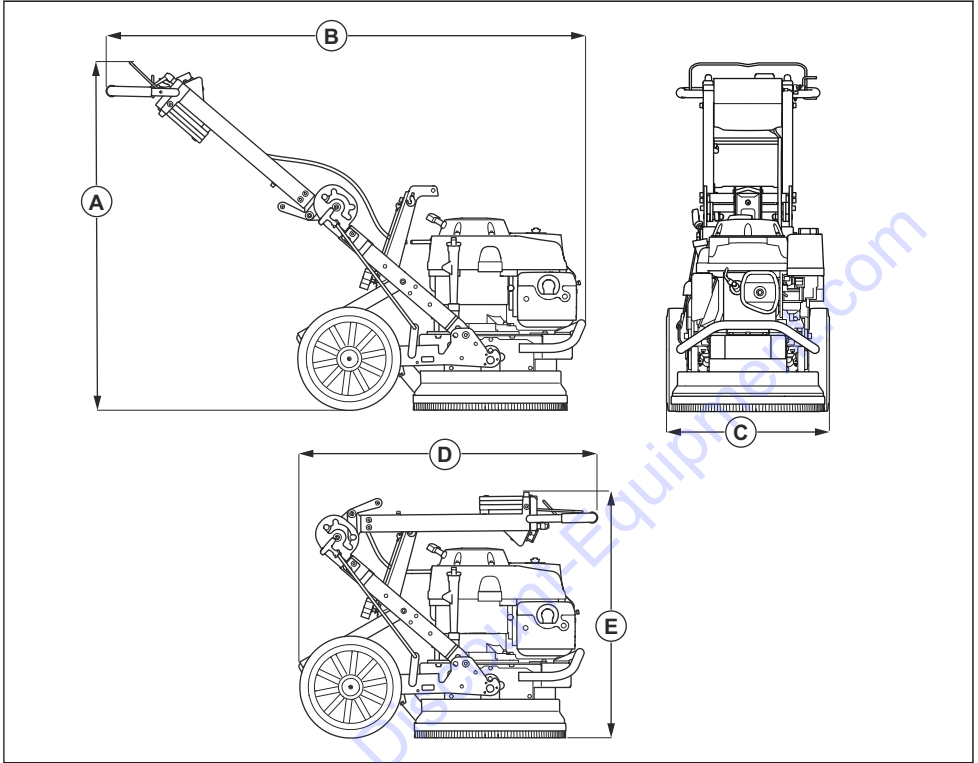
<sup>3</sup> Always do a check of the API service label on the oil container to be sure it includes the letters SJ, SL, or equivalent.

<sup>4</sup> Noise emission in the environment measured as sound power according to EN 60335-2-72. Expected measurement uncertainty 3 dB(A).

<sup>5</sup> Sound pressure level according to EN 60335-2-72. Expected measurement uncertainty 3 dB(A).

<sup>6</sup> Vibration level according to EN 60335-2-72. Reported data for vibration level has a typical statistical dispersion (standard deviation) of 1 m/s<sup>2</sup>.

# Product dimensions



Dimensions mm/in.	
A	1011/39.8
B	1397/55
C	480/18.9
D	900/35.4
E	710/28.0

---

## Inhalt

---

Einleitung.....	21	Transport und Lagerung.....	37
Sicherheit.....	23	Technische Angaben.....	38
Betrieb.....	27	EG-Konformitätserklärung.....	41
Wartung.....	33	.....	0
Fehlerbehebung.....	36		

---

## Einleitung

---

### Gerätebeschreibung

Bei diesem Gerät handelt es sich um eine Schleifmaschine mit einem 4-Takt-Benzin-Verbrennungsmotor. Das Gerät wird zum Abtragen schwerer Oberflächen und zur Vorbereitung von Fußböden verwendet. Das Gerät wird in Verbindung mit einer externen Staubabsaugvorrichtung betrieben.

Das Gerät verfügt über folgende Funktionen:

- Einen Schleifbereich von 400 mm Breite.
- Eine Schleifkopfabdeckung, die sich den Bewegungen der Oberflächenschicht anpasst.
- Einen Schleifkopf mit 1 Scheibe.
- Eine Aufnahmevorrichtung für 9 Diamantwerkzeuge.
- Einen Rahmen, der zum leichteren Transport/zur leichteren Lagerung zusammengeklappt werden kann.

### Verwendungszweck

Das Gerät wird für leichte kommerzielle Arbeiten in privaten und kleinen gewerblichen Bereichen eingesetzt.

Verwenden Sie das Gerät nur auf horizontalen Flächen.

Verwenden Sie das Gerät zum Abschleifen von Betonoberflächen mit unterschiedlichen Härten wie Terrazzo und Steinfliesen.

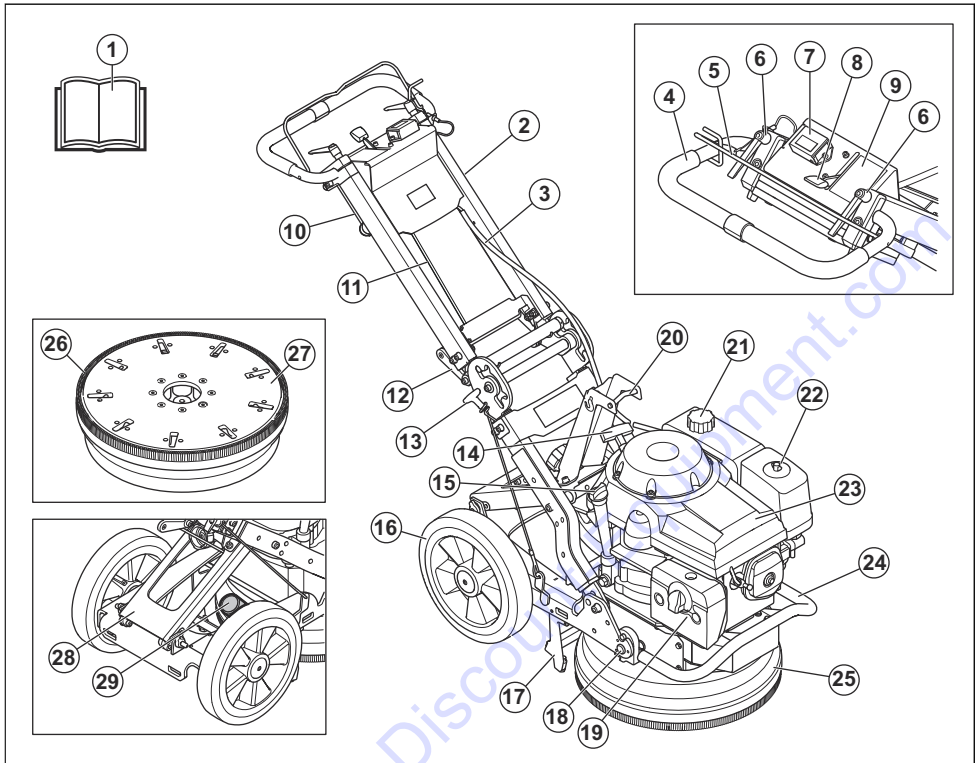
---



**WARNUNG:** Verwenden Sie das Gerät nicht für andere Aufgaben.

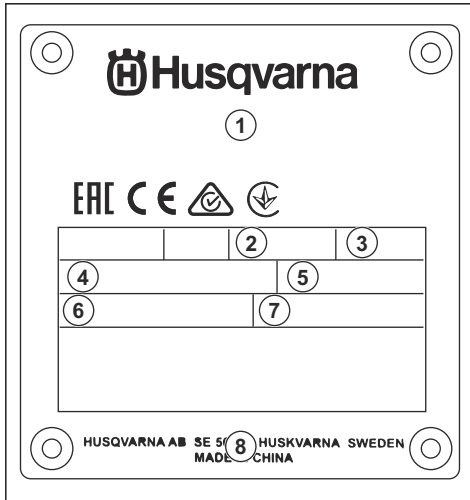
---

## Geräteübersicht



- |  |                                  |
|--|----------------------------------|
| 1. Bedienungsanleitung   | 20. Hebeöse                      |
| 2. Griff   | 21. Kraftstofftankdeckel         |
| 3. Kabel für die Bedienerpräsenzsteuerung (Totmanngriff).                    | 22. Luftfilter                   |
| 4. Lenker  | 23. Motor                        |
| 5. Bedienerpräsenzsteuerung  | 24. Motorschutz                  |
| 6. Sperrhebel für die Einstellung des Lenkers                                | 25. Schleifkopfabdeckung         |
| 7. Betriebsstundenzähler   | 26. Bürstenstreifen              |
| 8. Gashebel  | 27. Werkzeugplatte               |
| 9. Gashebelaufkleber   | 28. Tragrahmen                   |
| 10. Gegengewichte  | 29. Anschluss für Vakuumschlauch |
| 11. Gashebelkabel  |                                  |
| 12. Winkelgelenkgriff  |                                  |
| 13. Starthilfegriff  |                                  |
| 14. Startseilhandgriff   |                                  |
| 15. Öltankdeckel   |                                  |
| 16. Gummirad   |                                  |
| 17. Starthilfe   |                                  |
| 18. Schlossschraube zum Befestigen des Motors und des Schleifkopfs am Rahmen |                                  |
| 19. Schalldämpfer  |                                  |

## Typenschild



1. Modell

2. Ausgangsleistung, kW
3. Maximale Drehzahl, U/min
4. Schleiffläche, mm
5. Gewicht, kg
6. Herstellungsjahr und Seriennummer
7. Produktionsnummer
8. Herstelleradresse

## Produkthaftung

Im Sinne der Produkthaftungsgesetze übernehmen wir keine Haftung für Schäden, die unser Gerät verursacht, wenn...

- das Gerät nicht ordnungsgemäß repariert wird.
- das Gerät mit Teilen repariert wird, die nicht vom Hersteller stammen oder nicht vom Hersteller zugelassen sind.
- ein Zubehörteil mit dem Gerät verwendet wird, das nicht vom Hersteller stammt oder nicht vom Hersteller zugelassen ist.
- das Gerät nicht bei einem zugelassenen Service Center oder von einem zugelassenen Fachmann repariert wird.

## Sicherheit

### Sicherheitsdefinitionen

Warnungen, Vorsichtsmaßnahmen und Hinweise werden verwendet, um auf besonders wichtige Teile der Bedienungsanleitung hinzuweisen.



**WARNUNG:** Wird verwendet, wenn bei Nichtbeachtung der Anweisungen in diesem Handbuch die Gefahr von Verletzung oder Tod des Bedieners oder anderer Personen besteht.



**ACHTUNG:** Wird verwendet, wenn bei Nichtbeachtung der Anweisungen in diesem Handbuch die Gefahr von Schäden am Gerät, an anderen Materialien oder in der Umgebung besteht.

**Hinweis:** Für weitere Informationen, die in bestimmten Situationen nötig sind.

### Allgemeine Sicherheitshinweise



**WARNUNG:** Lesen Sie die folgenden Warnhinweise, bevor Sie das Gerät verwenden.

- Dieses Gerät ist ein sehr gefährliches Werkzeug, wenn Sie nicht aufpassen oder das Gerät unsachgemäß verwenden. Dieses Gerät kann schwere Verletzungen des Bedieners oder anderer
- Personen verursachen. Es ist sehr wichtig, dass Sie vor der Anwendung des Geräts den Inhalt dieser Betriebsanleitung gelesen und verstanden haben.
- Bewahren Sie alle Warnhinweise und Anweisungen auf.
- Halten Sie alle geltenden Gesetze und Vorschriften ein.
- Der Bediener und dessen Arbeitgeber müssen die mit dem Betrieb des Geräts verbundenen Gefahren kennen und vermeiden.
- Untersagen Sie allen Personen die Benutzung des Geräts, bis diese den Inhalt der Bedienungsanleitung gelesen und verstanden haben.
- Verwenden Sie das Gerät nicht, ohne vorher dafür geschult worden zu sein. Stellen Sie sicher, dass alle Anwender Schulungen erhalten.
- Lassen Sie nicht zu, dass Kinder das Gerät verwenden.
- Es dürfen nur zugelassene Personen mit dem Gerät arbeiten.
- Der Bediener ist für Unfälle verantwortlich, die anderen Personen zustoßen oder an deren Eigentum entstehen.
- Benutzen Sie das Gerät nicht, wenn Sie müde oder krank sind oder unter Einfluss von Alkohol, Drogen oder Medikamenten stehen.
- Lassen Sie immer Vorsicht walten, und arbeiten Sie mit gesundem Menschenverstand.
- Dieses Gerät erzeugt beim Betrieb ein elektromagnetisches Feld. Dieses Feld kann sich

unter bestimmten Bedingungen auf die Funktionsweise aktiver oder passiver medizinischer Implantate auswirken. Um die Gefahr von Situationen, die zu schweren oder tödlichen Verletzungen führen können, zu verringern, sollten Personen mit einem medizinischen Implantat vor der Nutzung dieses Gerätes mit ihrem Arzt und dem Hersteller des Implantats sprechen.

- Halten Sie das Gerät sauber. Stellen Sie sicher, dass Symbole und Aufkleber deutlich lesbar sind.
- Verwenden Sie das Gerät nicht, wenn es defekt ist.
- Nehmen Sie keine Modifikationen am Gerät vor.
- Bedienen Sie das Gerät nicht, wenn die Möglichkeit besteht, dass andere Personen Modifikationen daran durchgeführt haben.

## Sicherheitshinweise für den Betrieb



**WARNUNG:** Lesen Sie die folgenden Warnhinweise, bevor Sie das Gerät verwenden.

- Tragen Sie eine persönliche Schutzausrüstung. Siehe *Persönliche Schutzausrüstung auf Seite 24*.
- Eine übermäßige Belastung durch Vibrationen kann bei Personen mit verminderter Durchblutung Kreislauf- oder Nervenschäden verursachen. Suchen Sie einen Arzt auf, wenn Sie an Ihrem Körper Symptome feststellen, die darauf hinweisen, dass Sie zu starken Vibrationen ausgesetzt waren. Zu diesen Symptomen zählen beispielsweise Einschlafen von Körperteilen, Gefühlsverlust, Kitzeln, Stechen, Schmerz, Verlust oder Beeinträchtigung der normalen Körperkraft, Veränderungen der Hautfarbe oder der Hautbeschaffenheit. Diese Beschwerden treten normalerweise in den Fingern, Händen und Handgelenken auf.
- Bevor Sie sich vom Gerät entfernen, schalten Sie den Motor ab, und vergewissern Sie sich, dass keine Gefahr eines versehentlichen Starts besteht.
- Starten Sie das Gerät immer mit befestigtem Bürstenstreifen. Der Bürstenstreifen muss dicht mit der Oberfläche abschließen, insbesondere, wenn trockene Oberflächen bearbeitet werden.
- Prüfen Sie, ob der Bürstenstreifen sauber und unbeschädigt ist. Ersetzen Sie einen beschädigten Bürstenstreifen.
- Beim Trockenschleifen verbinden Sie das Gerät in jedem Fall mit einem Staubabsauger, um den Staub zu entfernen.
- Lassen Sie den Staubabsauger eingeschaltet, bis der Motor ganz zum Stillstand gekommen ist.
- Stellen Sie sicher, dass der Schleifkopf die Oberfläche nicht berührt, wenn Sie das Gerät starten.
- Stellen Sie sicher, dass sich nur befugte Personen im Arbeitsbereich befinden.

- Verwenden Sie das Gerät nicht in Bereichen, in denen Feuer oder Explosionen auftreten können.
- Zerlegen Sie das Diamantwerkzeug nach jedem Schleifprozess.
- Tragen Sie stets Schutzhandschuhe und lassen Sie das Gerät abkühlen, wenn Sie Diamantwerkzeuge ausbauen. Diamantwerkzeuge sind sehr heiß direkt nach dem Gebrauch.
- Stellen Sie sicher, dass das Gerät korrekt zusammengebaut ist.
- Verwenden Sie immer die vorgesehene Huböse zum Anheben des Gerätes.
- Bedienen Sie das Gerät stets von hinten, und halten Sie beide Hände am Lenker.
- Bedienen Sie das Gerät nur auf horizontalen Flächen.
- Seien Sie besonders vorsichtig, wenn Sie das Gerät eine Rampe hoch- bzw. herunterbewegen. Das Gerät ist schwer und kann Verletzungen verursachen, wenn es umfällt oder zu schnell bewegt wird. Verwenden Sie bei Rampen mit großem Winkel immer eine Winde. Gehen oder stehen Sie nicht unter dem Gerät.
- Halten Sie die zwei Räder des Geräts bei Betrieb immer auf dem Boden.
- Stellen Sie sicher, dass Sie wissen, wie der Motor in einem Notfall schnell gestoppt werden kann.
- Achten Sie darauf, dass sich Kleidung, langes Haar und Schmuck nicht in beweglichen Teilen verfangen können
- Stellen Sie sicher, dass Sie während der Arbeit eine sichere und stabile Position einnehmen.
- Plötzliches Erscheinen von Personen und Tieren kann das sichere Arbeiten mit dem Gerät verhindern. Arbeiten Sie mit dem Gerät immer vorsichtig und seien Sie jederzeit darauf vorbereitet, es anzuhalten, wenn es nötig sein sollte.
- Bedienen Sie das Gerät nur dann, wenn Sie bei einem Unfall Hilfe bekommen können
- Verwenden Sie immer zugelassenes Zubehör. Ihr Husqvarna-Händler steht Ihnen gern für weitere Informationen zur Verfügung.

## Persönliche Schutzausrüstung



**WARNUNG:** Lesen Sie die folgenden Warnhinweise, bevor Sie das Gerät benutzen.

- Verwenden Sie immer geeignete persönliche Schutzausrüstung bei der Benutzung des Geräts. Das Tragen persönlicher Schutzausrüstung schließt das Risiko von Verletzungen nicht aus. Das Tragen persönlicher Schutzausrüstung verringert das Ausmaß der Verletzungen bei einem Unfall. Lassen Sie sich von Ihrem Händler bei der Auswahl der richtigen Ausrüstung unterstützen.
- Tragen Sie einen zugelassenen Augenschutz beim Arbeiten mit dem Gerät.



- Tragen Sie keine lose, schwere und ungeeignete Kleidung. Tragen Sie Kleidung, in der Sie sich ungehindert bewegen können.
- Verwenden Sie zugelassene Schutzhandschuhe, die einen festen Griff ermöglichen.
- Verwenden Sie einen zugelassenen Schutzhelm.
- Tragen Sie stets einen zugelassenen Gehörschutz beim Arbeiten mit dem Gerät. Lärmbelastung über einen längeren Zeitraum kann zu lärmbedingten Hörschäden führen.
- Das Gerät erzeugt Staub und Dämpfe, die gefährliche Chemikalien enthalten. Tragen Sie einen zugelassenen Atemschutz.
- Tragen Sie Stiefel mit Stahlkappen und rutschfesten Sohlen.
- Vergewissern Sie sich, dass Sie einen Erste-Hilfe-Kasten griffbereit haben.
- Beim Arbeiten mit dem Gerät können Funken entstehen. Sorgen Sie dafür, dass Sie einen Feuerlöscher griffbereit haben.
- Ein hoher Geräuschpegel und Lärmbelastung über einen langen Zeitraum können zu lärmbedingten Hörschäden führen.
- Um den Geräuschpegel auf einem Minimum zu halten, warten und betreiben Sie das Gerät gemäß den Anweisungen der Bedienungsanleitung.
- Tragen Sie einen zugelassenen Gehörschutz beim Arbeiten mit dem Gerät.
- Beachten Sie Warnsignale und Stimmen, wenn Sie einen Gehörschutz tragen. Entfernen Sie den Gehörschutz, wenn das Gerät ausgeschaltet wird, es sei denn, er ist bei dem Geräuschpegel in Ihrem Arbeitsbereich erforderlich.

## Sicherheitsvorrichtungen am Gerät



**WARNUNG:** Lesen Sie die folgenden Warnhinweise, bevor Sie das Gerät benutzen.

- Benutzen Sie kein Gerät mit defekten Sicherheitsvorrichtungen.
- Führen Sie regelmäßig eine Überprüfung der Sicherheitsvorrichtungen durch. Wenn die Sicherheitsvorrichtungen defekt sind, wenden Sie sich an Ihre Husqvarna-Servicewerkstatt.

## Abgase – Sicherheit



**WARNUNG:** Lesen Sie die folgenden Warnhinweise, bevor Sie das Produkt benutzen.

- Die Abgase des Motors enthalten Kohlenmonoxid – ein geruchloses, giftiges und sehr gefährliches Gas. Das Einatmen von Kohlenmonoxid kann tödlich sein. Da Kohlenmonoxid geruchs- und farblos ist, kann es nicht wahrgenommen werden. Bei einer Kohlenmonoxidvergiftung kann es zu Schwindelsymptomen kommen, aber es ist auch möglich, dass eine Person ohne Vorwarnung bewusstlos wird, wenn die Menge oder Konzentration an Kohlenmonoxid dafür hoch genug ist.
- Abgase enthalten auch unverbrannte Kohlenwasserstoffe einschließlich Benzen. Das Einatmen über einen längeren Zeitraum kann zu gesundheitlichen Problemen führen.
- Abgase, die Sie sehen oder riechen können, enthalten auch Kohlenmonoxid.
- Verwenden Sie ein Gerät mit Verbrennungsmotor nicht in Innenräumen oder in Bereichen ohne ausreichende Luftzufuhr.
- Atmen Sie die Abgase nicht ein.
- Stellen Sie sicher, dass der Arbeitsbereich ausreichend belüftet ist. Das ist besonders wichtig, wenn Sie das Gerät in Gräben oder anderen engen Arbeitsbereichen verwenden, wo sich Abgase leicht sammeln können.

## Lärm – Sicherheit

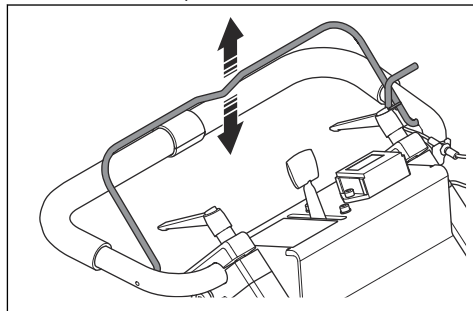


**WARNUNG:** Lesen Sie die folgenden Warnhinweise, bevor Sie das Gerät benutzen.

## So überprüfen Sie die Bedienerpräsenzsteuerung (Totmanngriff)

Die Bedienerpräsenzsteuerung stoppt den Motor. Wenn die Bedienerpräsenzsteuerung losgelassen wird, stoppt der Motor.

- Starten Sie den Motor und lassen Sie dann die Bedienerpräsenzsteuerung los. Wenn der Motor nicht innerhalb von 3 Sekunden stoppt, lassen Sie die Bedienerpräsenzsteuerung von einer autorisierten Husqvarna-Servicewerkstatt einstellen.



## Schalldämpfer

Der Schalldämpfer senkt den Geräuschpegel so weit wie möglich und hält die Abgase des Motors vom Anwender fern.

Verwenden Sie das Gerät nicht, wenn der Schalldämpfer fehlt oder defekt ist. Ein defekter

Schalldämpfer erhöht den Geräuschpegel und die Brandgefahr.



**WARNUNG:** Der Schalldämpfer wird während und nach Gebrauch und wenn der Motor im Leerlauf läuft, sehr heiß. Seien Sie in der Nähe von entzündlichen Materialien und/oder Dämpfen besonders vorsichtig, um Brandgefahr zu verhindern.

### So prüfen Sie den Schalldämpfer

- Überprüfen Sie den Schalldämpfer regelmäßig, um sicherzustellen, dass er richtig angebracht und nicht beschädigt ist.

### Sicherer Umgang mit Kraftstoff



**WARNUNG:** Lesen Sie die folgenden Warnhinweise, bevor Sie das Gerät benutzen.

- Kraftstoff ist feuergefährlich; durch die ausströmenden Dämpfe besteht Explosionsgefahr. Um Verletzungen, Feuer oder Explosionen zu vermeiden, seien Sie beim Umgang mit Kraftstoff vorsichtig.
- Atmen Sie die Kraftstoffdämpfe nicht ein. Die Kraftstoffdämpfe sind giftig und können Verletzungen verursachen. Achten Sie auf ausreichende Belüftung.
- Entfernen Sie nicht den Tankdeckel oder füllen den Kraftstofftank, wenn der Motor eingeschaltet ist.
- Lassen Sie den Motor vor dem Auftanken abkühlen.
- Füllen Sie Kraftstoff nicht in geschlossenen Räumen auf. Eine mangelhafte Luftzirkulation kann zu schweren oder tödlichen Verletzungen durch Ersticken oder durch eine Kohlenmonoxidvergiftung führen.
- Rauchen Sie nicht in der Nähe des Kraftstoffs oder des Motors.
- Stellen Sie keine heißen Gegenstände in der Nähe des Kraftstoffs oder des Motors ab.
- Füllen Sie Kraftstoff nicht in der Nähe von Funken oder Feuer ein.
- Öffnen Sie vor dem Nachfüllen den Tankdeckel langsam, und lassen Sie den Druck vorsichtig entweichen.
- Kraftstoff auf der Haut kann Verletzungen verursachen. Wenn Kraftstoff auf Ihre Haut gelangt, waschen Sie diesen mit Wasser und Seife ab.
- Wechseln Sie sofort die Kleidung, wenn Sie Kraftstoff darauf verschütten.
- Füllen Sie den Kraftstofftank nicht vollständig auf. Durch Hitze dehnt sich der Kraftstoff aus. Lassen Sie deshalb einen Freiraum im oberen Bereich des Kraftstofftanks.

- Schrauben Sie den Tankdeckel fest zu. Wenn der Tankdeckel nicht fest zugeschraubt ist, besteht Feuergefahr.
- Verwenden Sie für Betrieb und Lagerung den Tankdeckel mit Entlüftung.
- Bevor Sie das Gerät starten, entfernen Sie es mindestens 3 m/10 ft vom Auffüllort.
- Starten Sie das Gerät nicht, wenn sich Kraftstoff oder Öl darauf befindet. Entfernen Sie Kraftstoff oder Motoröl an unerwünschten Stellen vom Gerät und lassen Sie das Gerät trocknen, bevor Sie den Motor starten.
- Überprüfen Sie den Motor regelmäßig auf Undichtigkeiten. Starten Sie den Motor bei einer Leckage im Kraftstoffsystem nicht, bis die Undichtigkeiten repariert sind.
- Suchen Sie den Motor nicht mit den Händen nach Undichtigkeiten ab.
- Bewahren Sie Kraftstoff nur in zugelassenen Behältern auf.
- Wenn Sie das Gerät und den Kraftstoff lagern, stellen Sie sicher, dass Kraftstoff und Kraftstoffdämpfe keinen Schaden verursachen können.
- Lassen Sie den Kraftstoff im Freien und abseits von Feuer und Funken in einen für Kraftstoff zugelassenen Behälter ab.

### Sicherheitshinweise für die Wartung

- Stellen Sie den Gashebel immer in die Stopp Position (A), bevor Sie das Gerät warten. Siehe *Gashebel auf Seite 31*.
- Halten Sie alle Teile in einwandfreiem Zustand, und stellen Sie sicher, dass alle Befestigungen korrekt festgezogen sind.
- Verwenden Sie das Gerät nicht, wenn es defekt ist. Führen Sie alle Sicherheitskontrollen, Wartungen und Servicemaßnahmen durch, die in dieser Bedienungsanleitung angegeben sind. Alle anderen Wartungsarbeiten müssen von einer autorisierten Servicewerkstatt durchgeführt werden.
- Halten Sie das Gerät an, wenn Sie die Diamantwerkzeuge ersetzen.
- Führen Sie die Inspektion und/oder Wartung bei abgestelltem Motor durch.
- Lassen Sie den Motor immer abkühlen, bevor Sie Wartungsarbeiten am Gerät durchführen.
- Stellen Sie sicher, dass das Gerät auf einem stabilen horizontalen Untergrund gewartet wird.
- Warten Sie das Gerät, um sicherzustellen, dass es ordnungsgemäß funktioniert. Siehe *Wartung auf Seite 33*

# Betrieb

## Einleitung



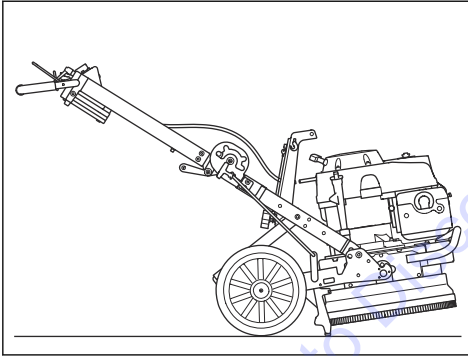
**WARNUNG:** Vor dem Betrieb des Gerätes müssen Sie die Sicherheitsinformationen lesen und verstehen.



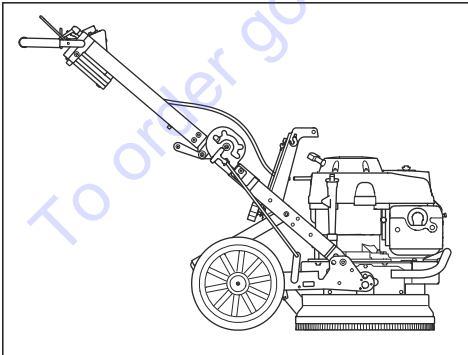
**WARNUNG:** Seien Sie vorsichtig, wenn Sie zwischen der Betriebsposition, der Wartungsposition und der Transportposition des Lenkers wechseln. Der Griff ist schwer und muss gut festgehalten werden. Schauen Sie sich um, bevor Sie die Griffposition einstellen, um Schäden oder Verletzungen zu vermeiden.

## Gerätepositionen

### Motorstartposition



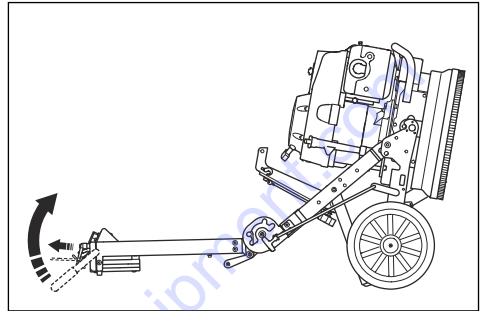
### Betriebsposition



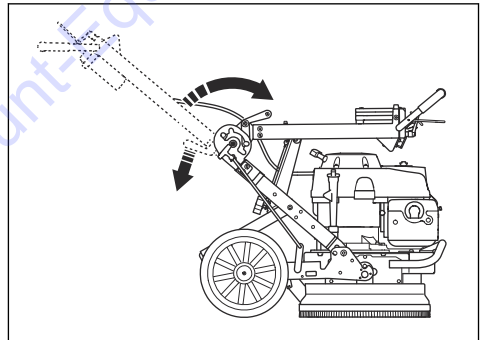
## Wartungsposition



**ACHTUNG:** Stellen Sie das Gerät in der Wartungsposition immer auf eine ebene Fläche.



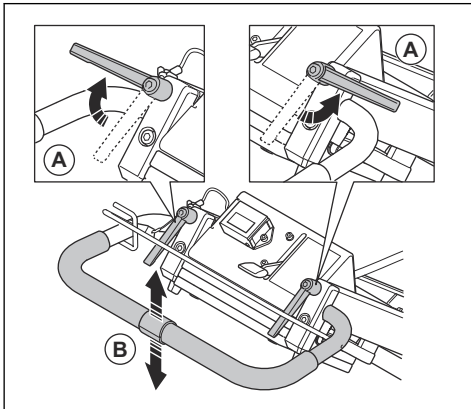
## Transportposition



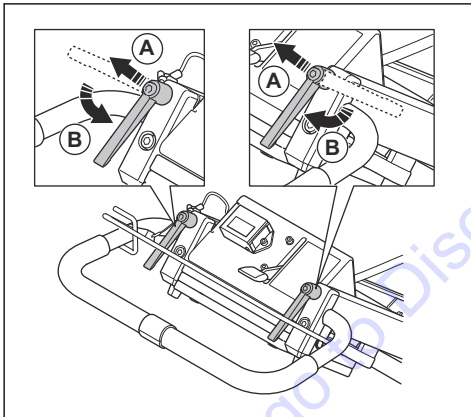
## So stellen Sie den Lenker ein

Die Sperrhebel des Lenkers werden im Uhrzeigersinn oder gegen den Uhrzeigersinn bedient oder in die Leerlaufposition gebracht.

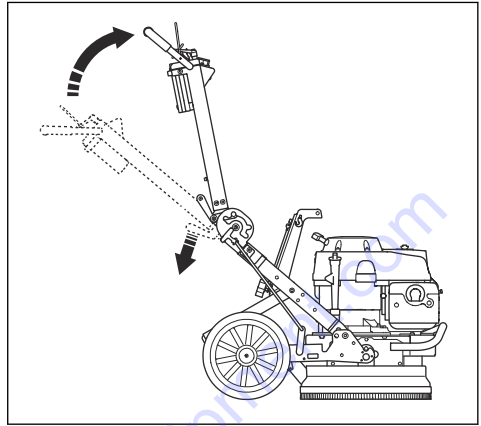
1. Lösen Sie die Sperrhebel (A) und bringen Sie den Lenker (B) in die gewünschte Position.



2. Wenn die Lenkerposition eingestellt ist, ziehen Sie die Lenkersperrhebel (A) nach oben (A) und bringen diese in die Leerlaufstellung (B).



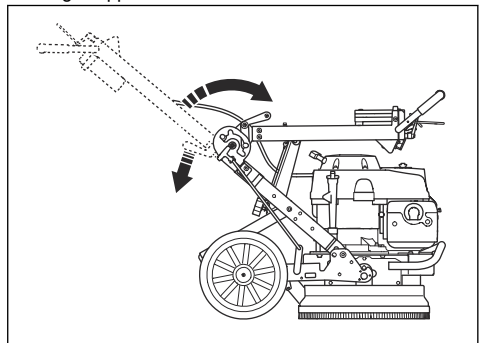
2. Stellen Sie einen Fuß auf den Stützrahmen. Drücken Sie mit den Händen auf den Winkelgelenkgriff am mittleren Scharnier. Gleichzeitig klappen Sie den Griff nach vorne in die Transportstellung.



**WARNUNG:** Verwenden Sie beide Hände und einen Fuß, wenn Sie den Griff klappen.

**Hinweis:** Bringen Sie zwischen dem Motor und dem Schaltkasten einen Schutz an, um Beschädigungen am Gerät zu vermeiden.

3. Stellen Sie sicher, dass der Griff vollständig eingeklappt ist.



## Griffhöhen

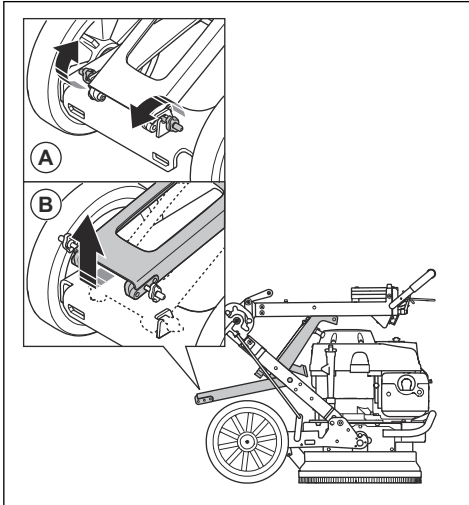
Position der Bohrung	Griffhöhe, mm/Zoll
Oben	835/33
Mitte	925/36
Unten	1000/39

## So stellen Sie die Rahmenhöhe ein

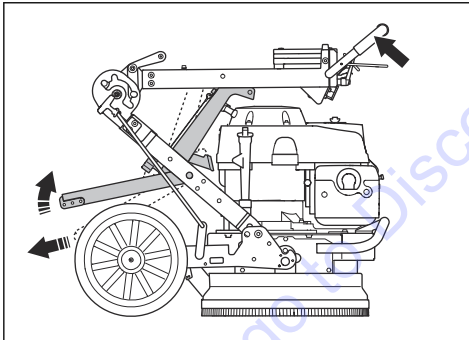
Der Winkel des Rahmens kann geändert werden, um das Gewicht des Chassis zu teilen. Dadurch wird der Schleifdruck gegen die Oberfläche verringert oder erhöht.

1. Stoppen Sie den Motor. Siehe *So stoppen Sie das Gerät auf Seite 33.*

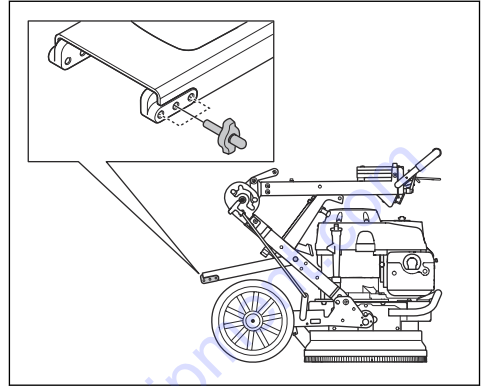
4. Entfernen Sie die Sperrhebel (A), um den Stützrahmen (B) zu lösen.



5. Halten Sie den Lenker so, dass er stabil bleibt, und heben Sie den Stützrahmen nach außen und oben.



6. Wählen Sie die entsprechende Position für den Stützrahmen und ziehen Sie den Sperrhebel fest. Über die untere Öffnung werden der Schleifdruck erhöht und die Lenkerhöhe vergrößert. Über die obere Öffnung werden der Schleifdruck und die Lenkerhöhe verringert.



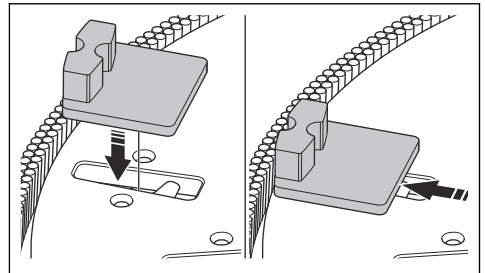
7. Stellen Sie das Gerät in die Betriebsposition.

## Diamantwerkzeuge

Es gibt viele Arten von Diamantwerkzeugen für das Gerät. Sprechen Sie mit Ihrem Discount-equipment das richtige Diamantwerkzeug aus.

## Installation der Diamantwerkzeuge

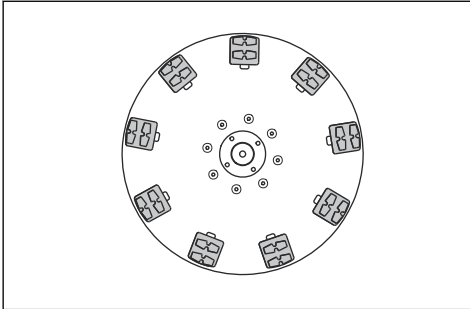
Die Werkzeugplatte verwendet das RediLock™ Dovetail-System.



Die Installation der Diamantwerkzeuge auf der Werkzeugplatte hat Auswirkungen auf die Leistung des Geräts. Die Art des Diamantwerkzeugs in Kombination mit der Anzahl der Segmente auf dem Diamantwerkzeug ist wichtig. Verwenden Sie immer symmetrische Sätze von Diamantwerkzeugen, um

sicherzustellen, dass das Gleichgewicht des Schleifkopfs korrekt ist.

Metalgebundene Diamantwerkzeuge mit einem Diamantsegment erhöhen den Druck des Diamantwerkzeugs.



Für besonders schwer zu entfernende Oberflächen empfehlen wir Werkzeuge mit nur einer Rotationsrichtung und PKD-Diamantspitzen.

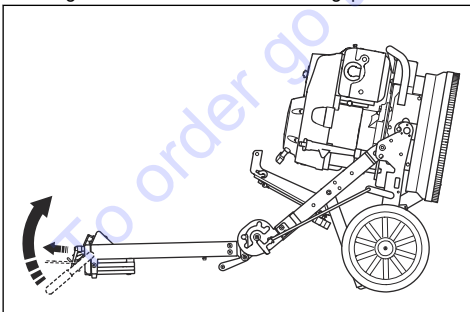
**Hinweis:** PKD-Diamantwerkzeuge wie die der Marke Piranha™ sind nur in einer Richtung zu betreiben.

## So ersetzen Sie die Diamantwerkzeuge

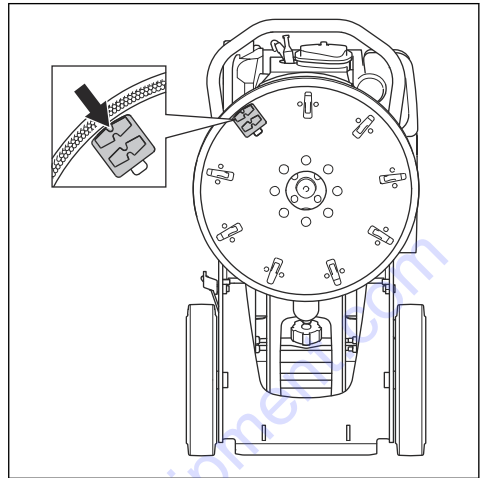


**WARNUNG:** Die Diamantwerkzeuge können sehr heiß werden. Tragen Sie stets Schutzhandschuhe.

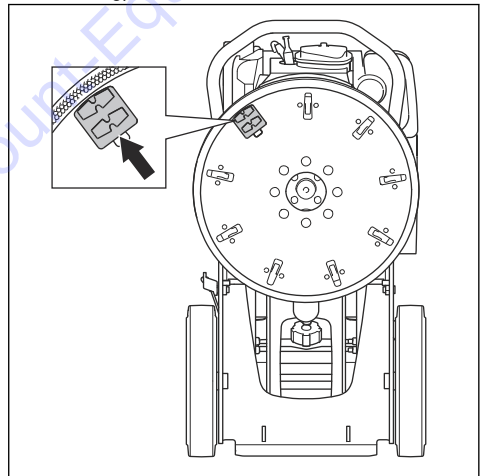
1. Stellen Sie sicher, dass der Motor ausgeschaltet ist und dass die Bedienerpräsenzsteuerung (Totmanngriff) nicht gegen den Lenker gedrückt ist.
2. Bringen Sie das Gerät in die Wartungsposition.



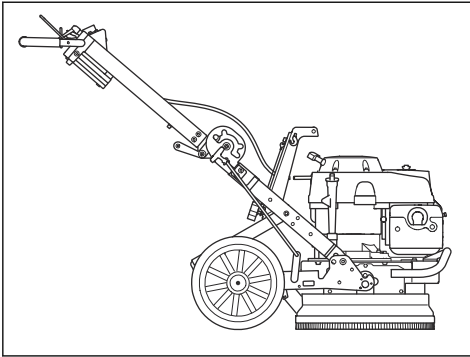
3. Entfernen Sie die Diamantsegmente mit einem Hammer.



4. Befestigen Sie neue Diamantwerkzeuge auf der Werkzeugplatte.



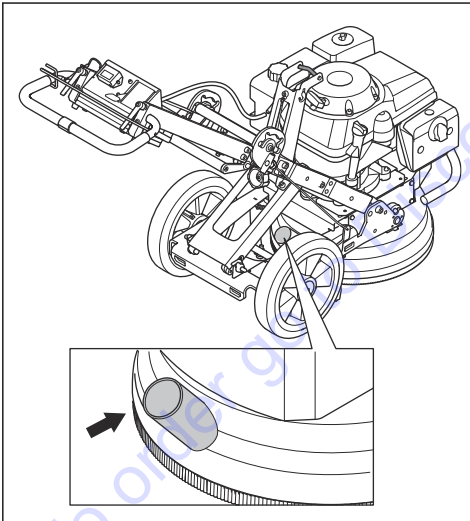
5. Bringen Sie das Gerät in die Betriebsposition.



## So schließen Sie einen Staubabsauger an

Verwenden Sie beim Trockenschleifen ein Husqvarna-Staubabsaugsystem. Siehe *Technische Daten auf Seite 38*. Empfohlene Staubabsauger sind Husqvarna T 4000 Petrol oder S 36.

1. Schließen Sie den Staubabsauger an das Gerät an.

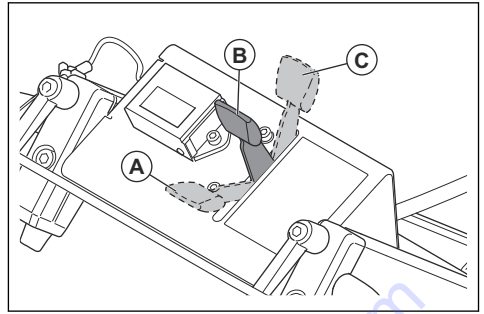


2. Stellen Sie sicher, dass die Filter im Staubabsauger sauber und unbeschädigt sind. Achten Sie beim Arbeiten auf den Staub.

## Gashebel

Der Gashebel hat 3 verfügbare Positionen:

- Stopp Position (A).
- Betriebsmodusposition (B).
- Startposition/Chokeyposition (C).



**WARNUNG:** Stellen Sie den Gashebel immer in die Stopp Position (A), wenn Sie das Gerät anhalten, um ein versehentliches Starten zu verhindern.

## So steuern Sie die Betriebsrichtung

Während des Betriebs kann das Gerät zur Seite ziehen. Die Zugrichtung hängt von der Rotationsrichtung des Schleifkopfes und der Bedienung des Geräts ab.

- Halten Sie die zwei Räder bei Betrieb des Geräts immer auf dem Boden.
- Wenden Sie die Seitenkräfte auf den Griff an, um das Gerät zu lenken.
- Halten Sie den Griff immer mit zwei Händen fest, um einen stabilen Stand zu gewährleisten und sicherzustellen, dass sich das Gerät nicht seitlich bewegt.

## So füllen Sie Kraftstoff ein

Falls vorhanden, verwenden Sie schadstoffarmes Benzin/Alkylatbenzin. Wenn schadstoffarmes Benzin/Alkylatbenzin nicht verfügbar ist, verwenden Sie ein qualitativ hochwertiges, bleifreies Benzin oder verbleites Benzin mit einer Oktanzahl von mindestens 90.



**ACHTUNG:** Verwenden Sie kein Benzin mit einer geringeren Oktanzahl als 90 RON (87 AKI). Dies kann das Gerät beschädigen.

1. Öffnen Sie den Tankdeckel langsam, damit der Druck entweichen kann.
2. Füllen Sie langsam mit einem Kraftstoffkanister auf. Wenn Sie Kraftstoff verschütten, entfernen Sie ihn mit einem Tuch und lassen Sie den verbleibenden Treibstoff trocknen.
3. Säubern Sie den Bereich um den Tankdeckel herum.
4. Schrauben Sie den Kraftstofftankdeckel fest zu. Wenn der Tankverschluss nicht fest zugeschraubt ist, besteht Feuergefahr.
5. Bewegen Sie das Produkt vor dem Starten mindestens 3 m von der Stelle fort, an der Sie den Tank befüllt hatten.

## 2 verschiedene Tankdeckel

Das Gerät wird mit 2 verschiedenen Tankdeckeln geliefert.

- Der Tankdeckel für den Betrieb ist am Kraftstofftank angebracht. Dieser Tankdeckel hat eine Entlüftung und lässt den Motor laufen.
- Der Tankdeckel für die Wartung ist ein vollständig versiegelter Tankdeckel. Dieser Tankdeckel darf nur während der Wartung verwendet werden, um ein Auslaufen von Kraftstoff zu verhindern.

**Hinweis:** Der Motor stoppt, wenn der Tankdeckel zur Wartung für den Betrieb verwendet wird. Bei einem vollständig verschlossenen Tankdeckel wird kein Kraftstoff vom Motor angesaugt.

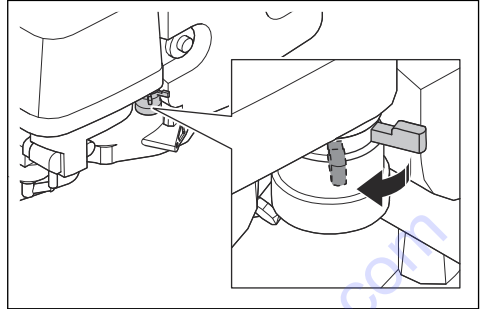
**Hinweis:** Ein alternativer Aufkleber für den versiegelten Tankdeckel liegt dem Gerät bei.

## Bevor Sie das Gerät bedienen

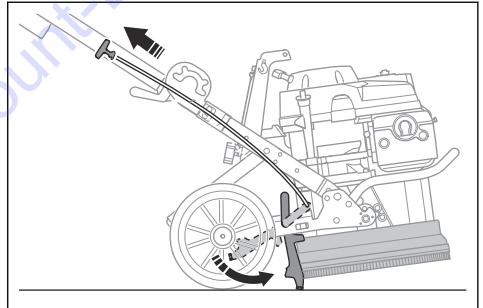
1. Lesen Sie die Bedienungsanleitung sorgfältig durch, und gehen Sie sicher, dass Sie die Anweisungen verstehen.
2. Tragen Sie eine persönliche Schutzausrüstung. Siehe *Persönliche Schutzausrüstung auf Seite 24*.
3. Warten Sie das Gerät täglich. Siehe *Wartungsplan auf Seite 33*.
4. Stellen Sie sicher, dass das Gerät korrekt zusammengebaut und unbeschädigt ist.
5. Stellen Sie die Schleifmaschine auf den Arbeitsbereich. Stellen Sie sicher, dass die Oberfläche waagrecht ist.
6. Stellen Sie sicher, dass Diamantwerkzeuge auf dem Schleifkopf vorhanden sind und fest sitzen.
7. Schließen Sie den Staubabsauger an das Gerät an. Siehe *So schließen Sie einen Staubabsauger an auf Seite 31*.
8. Bringen Sie den Lenker in eine entsprechende Betriebshöhe. Siehe *So stellen Sie den Lenker ein auf Seite 27*.
9. Füllen Sie den Kraftstofftank auf. Siehe *So füllen Sie Kraftstoff ein auf Seite 31*.
10. Montieren Sie den Tankdeckel mit Entlüftung.
11. Prüfen Sie den Ölstand. Siehe *So prüfen Sie den Ölstand auf Seite 34*.

## So starten Sie das Gerät

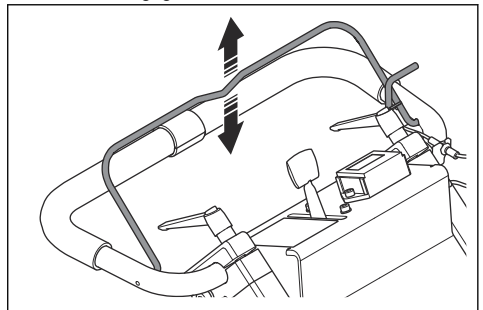
1. Öffnen Sie das Kraftstoffventil.



2. Bringen Sie den Gashebel in die richtige Position. Siehe *Gashebel auf Seite 31*.
  - a) Wenn Sie mit einem kalten Motor starten, bringen Sie den Gashebel in die Startposition.
  - b) Wenn Sie mit einem warmen Motor starten, bringen Sie den Gashebel in die Betriebsposition.
3. Kippen Sie den Schleifkopf und ziehen Sie am Starthilfgriff, um die Diamantwerkzeuge von der Oberfläche abzuheben.



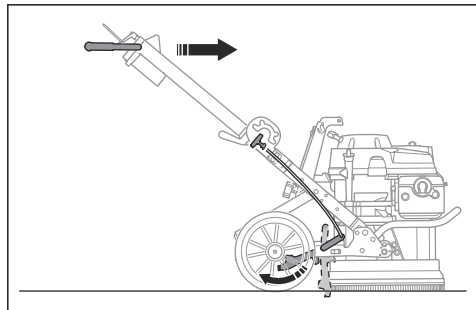
4. Halten Sie die Bedienerpräsenzsteuerung mit der linken Hand gegen den Lenker.



5. Ziehen Sie mit Ihrer rechten Hand am Startseilhandgriff.



6. Wenn der Motor ruhig läuft, stellen Sie den Gashebel auf Betriebsmodus.
7. Bewegen Sie das Gerät nach vorne, um die Starthilfe freizugeben und die Diamantwerkzeuge abzusenken.



## So stoppen Sie das Gerät



**ACHTUNG:** Heben Sie die Werkzeugplatte nicht von der Oberfläche ab, bis der Motor vollständig gestoppt ist. Staub kann in die Luft gelangen und die Oberfläche kann beschädigt werden.

1. Lassen Sie die Bedienerpräsenzsteuerung los.
2. Halten Sie die Werkzeugplatte gegen die Oberfläche, bis sie vollständig zum Stillstand gekommen ist.
3. Stellen Sie den Gashebel in die Stopp Position.
4. Schließen Sie das Kraftstoffventil.

## Wartung

### Einleitung



**WARNUNG:** Bevor Sie eine Wartung durchführen, müssen Sie das Kapitel über die Sicherheit lesen und verstehen.

Für alle Wartungs- und Reparaturarbeiten am Produkt ist eine spezielle Schulung erforderlich. Wir garantieren die Verfügbarkeit von professionellen Reparaturen und

Wartungsarbeiten. Wenn Ihr Händler keine Servicewerkstatt ist, sprechen Sie mit ihm, um Informationen über die nächste Servicewerkstatt zu erhalten.

### Wartungsplan

Die Wartungsintervalle werden anhand der täglichen Nutzung des Geräts berechnet. Die Intervalle ändern sich, wenn das Gerät nicht täglich verwendet wird.

Wartung	Nach jedem Einsatz	Erster Monat oder nach 20 h	Alle 3 Monate oder 50 h	Alle 6 Monate oder 100 h	Jedes Jahr oder 300 h
Gerät reinigen.	X				
Bürstenstreifen prüfen.	X				
Ölstand prüfen.	X				
Öl austauschen.		X		X	
Luftfilter prüfen.	X				
Luftfilter reinigen.			X <sup>7</sup>		
Luftfilter austauschen.					X
Zündkerze überprüfen.				X	
Zündkerze ersetzen.					X

### So reinigen Sie das Gerät

- Reinigen Sie immer die gesamte Ausstattung nach dem Gebrauch.
- Reinigen Sie das Gerät nicht mit einem Hochdruckreiniger.

- Halten Sie die Luftöffnungen sauber und frei, um sicherzustellen, dass das Gerät immer eine ausreichend kühle Temperatur hat.

**Hinweis:** Verwenden Sie zur Reinigung unter dem Schleifkopf keine Druckluft.

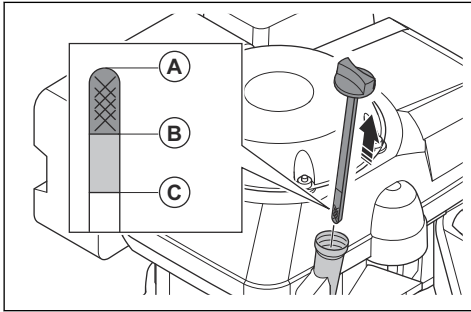
<sup>7</sup> Den Luftfilter häufiger reinigen, wenn das Gerät in schmutzigen Umgebungen verwendet wird.

## So prüfen Sie den Ölstand



**ACHTUNG:** Der Betrieb des Geräts mit einem niedrigen Ölstand kann zu Motorschäden führen.

1. Stoppen Sie den Motor. Siehe *So stoppen Sie das Gerät auf Seite 33*.
2. Stellen Sie das Gerät auf einer ebenen Fläche ab.
3. Entfernen Sie den Öltankdeckel.
4. Reinigen Sie den Ölmesstab, der am Öltankdeckel befestigt ist.
5. Stecken Sie den Messstab in den Öltank. Nicht festziehen.
6. Ziehen Sie den Messstab heraus und lesen Sie den Ölstand ab.



- a) Wenn der Ölstand zu niedrig ist (A), füllen Sie Motoröl ein, und kontrollieren Sie den Ölstand erneut. Die richtige Ölseite finden Sie unter *Technische Angaben auf Seite 38*.
  - b) Bei hohem Ölstand (C) dürfen Sie kein Motoröl mehr einfüllen. Der Ölstand muss zwischen (A) und (B) liegen.
7. Drehen Sie den Öltankdeckel ordnungsgemäß fest, bevor Sie den Motor anlassen.

**Hinweis:** Das Gerät verfügt über ein System, das anzeigt, wann der Ölstand zu niedrig ist. Wenn der Summer ertönt, stoppen Sie das Gerät und fügen Sie Öl hinzu.

## So wechseln Sie das Motoröl

Wenn der Motor kalt ist, starten Sie den Motor für 1 bis 2 Minuten, bevor Sie das Motoröl ablassen. Dadurch wird das Motoröl erwärmt und kann leichter ablaufen.



**WARNUNG:** Motoröl ist direkt nach dem Abstellen des Motors sehr heiß. Lassen Sie den Motor abkühlen, bevor Sie das Motoröl ablassen. Wenn Sie Motoröl auf Ihre Haut verschütten, reinigen Sie sie mit Wasser und Seife.

1. Stellen Sie das Gerät auf einer ebenen Fläche ab.

2. Stellen Sie einen Behälter unter die Ölablassschraube.
3. Entfernen Sie den Öltankdeckel, die Ölablassschraube und die Unterlegscheibe.

**Hinweis:** Entsorgen Sie die Scheibe.

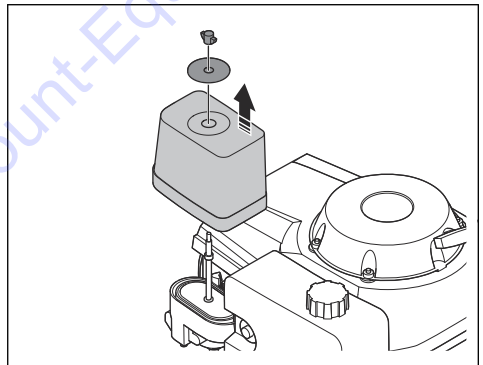
4. Neigen Sie das Gerät und lassen Sie das Öl in den Behälter laufen.
5. Stellen Sie den Motor waagrecht und befüllen Sie den Öltank mit dem empfohlenen Öl. Siehe *So prüfen Sie den Ölstand auf Seite 34* und *Technische Angaben auf Seite 38*.
6. Installieren Sie eine neue Unterlegscheibe und Ölablassschraube, und ziehen Sie den Öltankdeckel fest.

## So überprüfen Sie den Luftfilter

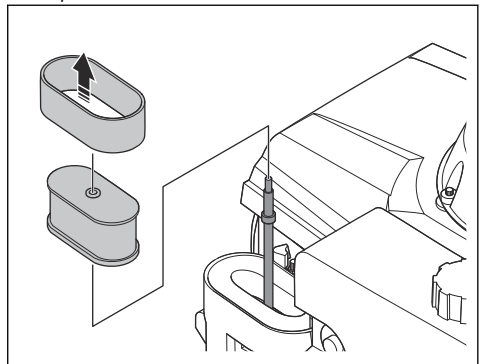


**ACHTUNG:** Verwenden Sie das Gerät nicht ohne einen Luftfilter oder mit einem verschmutzten Luftfilter.

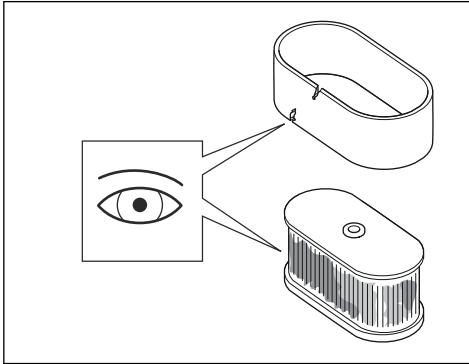
1. Lösen Sie die Flügelmutter vom Luftfilterdeckel und entfernen Sie den Luftfilterdeckel.



2. Entfernen Sie den Luftfilter.
3. Nehmen Sie den Schaumstofffilter aus dem Papierfilter.



4. Überprüfen Sie den Schaumstofffilter und den Papierfilter.



5. Ersetzen Sie beschädigte Filter.  
 6. Ersetzen Sie den Luftfilter gemäß dem *Wartungsplan*. Siehe *Wartungsplan auf Seite 33*.  
 7. Reinigen Sie den Schaumstofffilter und den Papierfilter, wenn sie verschmutzt sind. Siehe *So reinigen Sie den Luftfilter auf Seite 35*.  
 8. Ersetzen Sie den Luftfilter in umgekehrter Reihenfolge.

### So reinigen Sie den Luftfilter



**WARNUNG:** Tragen Sie einen zugelassenen Atemschutz, wenn Sie den Luftfilter reinigen oder ersetzen. Entsorgen Sie gebrauchte Luftfilter ordnungsgemäß. Der Staub im Luftfilter gefährdet Ihre Gesundheit.



**WARNUNG:** Reinigen Sie den Luftfilter nicht mit Druckluft. Dadurch wird der Luftfilter beschädigt und das Risiko, dass Sie gefährlichen Staub einatmen, steigt.

1. Bauen Sie den Luftfilter (A) aus, siehe *So überprüfen Sie den Luftfilter auf Seite 34*.  
 2. Reinigen Sie das Luftfiltergehäuse mit einer Bürste.  
 3. Klopfen Sie den Luftfilter auf eine harte Oberfläche, oder entfernen Sie die Partikel mit einem Staubsauger.



**ACHTUNG:** Berühren Sie mit der Düse des Staubsaugers nicht die Oberfläche des Papierfilterelements. Halten Sie einen kleinen Abstand. Die empfindliche Oberfläche des Papierfilterelements wird beschädigt, wenn Objekte damit in Berührung kommen.

4. Überprüfen Sie den Luftfilter auf Schäden.  
 5. Entsorgen Sie den Luftfilter, falls er beschädigt ist.



**ACHTUNG:** Ersetzen Sie immer beschädigte Luftfilter, da ansonsten Staub in den Motor eindringen und ihn beschädigen kann.

6. Reinigen Sie den Schaumstofffilter mit Seife und Wasser.  
 7. Spülen Sie den Schaumstofffilter mit klarem Wasser ab.  
 8. Drücken Sie das Wasser aus dem Schaumstofffilter und lassen Sie ihn trocknen.  
 9. Schmieren Sie den Schaumstofffilter mit Motoröl ein.  
 10. Drücken Sie ein sauberes Tuch gegen den Filter, um unerwünschtes Öl zu entfernen.

**Hinweis:** Aus dem Motor tritt Rauch aus, wenn sich beim Starten des Motors zu viel Öl im Schaumstofffilter befindet.

11. Setzen Sie den Luftfilterdeckel wieder ein. Siehe *So überprüfen Sie den Luftfilter auf Seite 34*.

### So prüfen Sie den Bürstenstreifen

- Stellen Sie sicher, dass der Bürstenstreifen intakt und sauber ist und dass er dicht am Boden anliegt.

### So überprüfen Sie die Zündkerze



**WARNUNG:** Lassen Sie die Zündkerze abkühlen, bevor Sie diese austauschen.

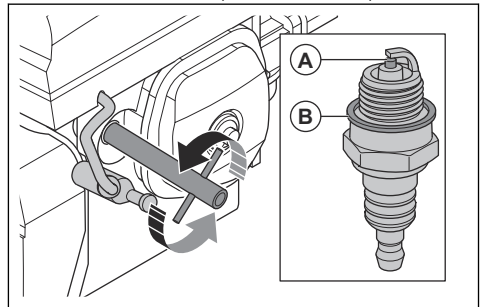


**ACHTUNG:** Verwenden Sie immer eine passende Zündkerze. Siehe *Technische Daten auf Seite 38*.



**ACHTUNG:** Stellen Sie sicher, dass die Zündkerze den richtigen Abstand hat und frei von Ablagerungen ist.

1. Nehmen Sie die Zündkappe ab und entfernen Sie den Schmutz aus dem Bereich der Zündkerze.  
 2. Entfernen Sie die Zündkerze mit einem Zündkerzenschlüssel (13/16 Zoll/21 mm).



3. Überprüfen Sie die Zündkerze. Ersetzen Sie sie, wenn sie beschädigt ist, wenn die Elektrode (A) abgenutzt ist oder wenn die Dichtscheibe (B) in einem schlechten Zustand ist.
4. Messen Sie den Elektrodenabstand der Zündkerze mit einer Fühlerlehre für Drähte. Stellen Sie sicher, dass der Abstand korrekt ist. Siehe *Technische Angaben auf Seite 38*.
5. Wenn nötig, biegen Sie die Seite der Seitenelektrode vorsichtig, um den Abstand zu korrigieren.
6. Bauen Sie die Zündkerze vorsichtig von Hand ein.
7. Ziehen Sie die Zündkerze mit einem Zündkerzenschlüssel (13/16 Zoll/21 mm) fest, um die Scheibe zusammenzudrücken.
  - a) Wenn Sie eine neue Zündkerze einbauen, ziehen Sie diese mit einer halben Umdrehung an, nachdem die Zündkerze auf der zusammengedrückten Unterlegscheibe sitzt.
  - b) Wenn Sie dieselbe Zündkerze erneut einbauen, ziehen Sie sie mit  $\frac{1}{4}$  bis  $\frac{3}{4}$  Umdrehung fest, nachdem die Zündkerze auf der zusammengedrückten Unterlegscheibe sitzt.



**ACHTUNG:** Eine lose Zündkerze kann zu heiß werden und den Motor beschädigen. Wenn die Zündkerze zu fest sitzt, kann dies die Oberseite des Zylinders beschädigen.

8. Verbinden Sie die Zündkappe mit der Zündkerze.

## Fehlerbehebung

### Fehlerbehebung

Störung	Ursache	Mögliche Abhilfe
Das Gerät springt nicht an.	Die Bedienerpräsenzsteuerung (Totmannsystem) ist nicht aktiviert.	Den Totmanngriff gegen den Lenker halten, wenn am Starterseilgriff gezogen wird.
	Kein Kraftstoff im Kraftstofftank.	Kraftstofftank mit Kraftstoff auffüllen. Siehe <i>So füllen Sie Kraftstoff ein auf Seite 31</i> .
	Kein Öl im Öltank.	Öltank mit Öl auffüllen. Siehe <i>So prüfen Sie den Ölstand auf Seite 34</i> .
Das Gerät ist nicht leicht zu halten.	Es sind zu wenige Diamantwerkzeuge auf dem Schleifkopf installiert.	Die korrekte Anzahl an Diamantwerkzeugen verwenden. Siehe <i>Diamantwerkzeuge auf Seite 29</i> .
	Falscher Diamantwerkzeug-Typ für diese Fläche.	
Das Gerät erzeugt plötzliche Bewegungen.	Die Diamantwerkzeuge sind nicht richtig installiert.	Sicherstellen, dass alle Diamantwerkzeuge richtig installiert sind.
	Die Diamantwerkzeuge haben unterschiedliche Höhen.	Sicherstellen, dass alle Diamantwerkzeuge richtig installiert sind und die gleiche Höhe haben.
Das Gerät stoppt nach kurzer Zeit.	Die Höhen- und Gewichtsanpassung ist nicht korrekt.	Sicherstellen, dass die Höhen- und Gewichtseinstellung korrekt ist. Siehe <i>So stellen Sie die Rahmenhöhe ein auf Seite 28</i> und <i>So stellen Sie den Lenker ein auf Seite 27</i> .
	Zu hohe Belastung.	Mehr Diamantwerkzeuge montieren oder zu einer härteren Verbindung wechseln.
	Falscher Kraftstofftankdeckel. Siehe <i>2 verschiedene Tankdeckel auf Seite 32</i> .	Sicherstellen, dass der Tankdeckel beim Betrieb des Geräts richtig fest sitzt.

Störung	Ursache	Mögliche Abhilfe
Nach dem Starten stoppt das Gerät wieder.		Eine autorisierte Servicewerkstatt kontaktieren.

## Transport und Lagerung

### Transport des Gerätes

- Schließen Sie das Kraftstoffventil. Siehe *So starten Sie das Gerät auf Seite 32*.
- Sichern Sie das Gerät während des Transports ab, um Schäden und Unfälle zu vermeiden.
- Schützen Sie das Gerät während des Transports. Durch diesen Schutz werden Naturelemente wie Regen und Schnee vom Gerät ferngehalten.
- Verwenden Sie zum Anheben und Bewegen des Geräts die am Gerät befestigte Huböse.
- Verwenden Sie für die Lagerung und den Transport von Kraftstoff immer zugelassene Behälter.
- Leeren Sie den Kraftstofftank, bevor Sie das Gerät über einen längeren Zeitraum einlagern. Entsorgen Sie den Kraftstoff in einer geeigneten Abfallentsorgungsstelle.
- Bewahren Sie das Gerät in einem verschlossenen Bereich auf, um einen unerlaubten Zugriff durch Kinder oder andere nicht befugte Personen zu verhindern.
- Bewahren Sie das Gerät in einem trockenen und frostfreien Bereich auf.

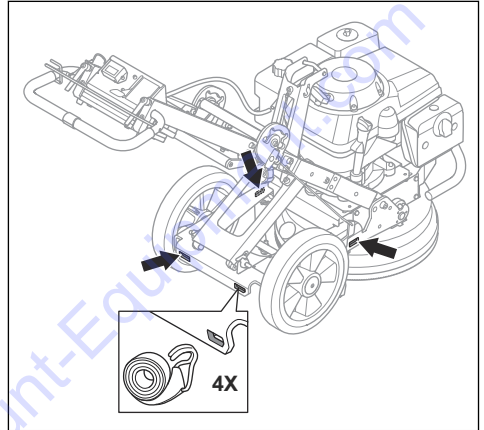
### So bringen Sie das Gerät in die Transportposition

- Um das Gerät in die Transportposition zu bringen, siehe *So stellen Sie die Rahmenhöhe ein auf Seite 28*.

### So befestigen Sie das Gerät auf einem Transportfahrzeug

Befestigen Sie das Gerät während des Transports, um Unfälle und Schäden am Gerät zu vermeiden.

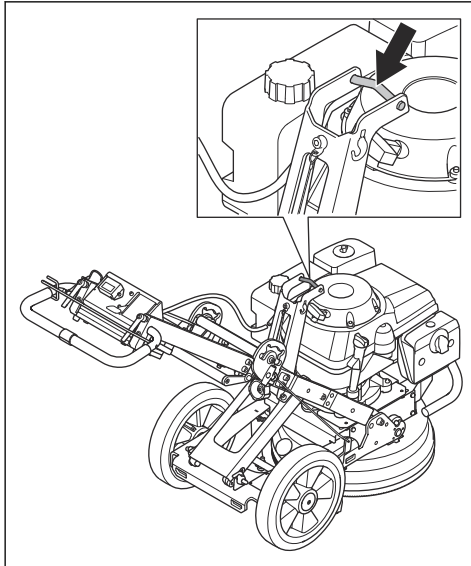
1. Befestigen Sie die Zurrgurte in den Bohrungen am Gerät.



2. Befestigen Sie die Zurrgurte am Transportfahrzeug und ziehen Sie sie fest.

## So heben Sie das Gerät an

1. Verwenden Sie die Huböse, um das Gerät anzuheben.



2. Heben Sie das Gerät sicher an. Wenn Sie das Gerät anheben, lassen Sie sich von einer anderen Person helfen.

---

## Technische Angaben

---

### Technische Daten

<b>Motor</b>	
Motormodell	HondaGXV 390
Motortyp	4-Takt, hängende Ventile (OHV), 1 Zylinder
Nennleistung des Motors, kW/PS bei U/min <sup>8</sup>	7,6/10,2 bei 3600
Drehzahl – Schleifscheibe, U/min bei Leerlauf maximal	440-1125
Schleifbreite, mm/Zoll	400/15,75
<b>Schleifdruck</b>	
Griff in niedriger Position, kg/lbs	62/137
Griff in mittlerer Position, kg/lbs	64/141
Griff in hoher Position, kg/lbs	69/152

<sup>8</sup> Wie vom Motorhersteller spezifiziert. Die Motornennleistung ist die durchschnittlich nach SAE-Standard J1349/ISO1585 gemessene Nettoleistung eines typischen Produktionsmotors, die (bei einer bestimmten Drehzahl) an das Motormodell abgegeben wird. Motoren für die Massenproduktion können von diesem Wert abweichen. Die tatsächliche Ausgangsleistung des eingebauten Motors hängt von der Betriebsdrehzahl, den Umgebungsbedingungen und anderen Werten ab.

<b>Zündanlage</b>	
Zündkerze	BPR5ES (NGK) oder W16EPR-U (DENSO)
Elektrodenabstand, mm/Zoll	0,7-0,8/0,028-0,031
<b>Kraftstoff- und Schmiersystem</b>	
Füllmenge Kraftstofftank, l	2,1
Kraftstofftyp	Bleifrei, normal (max. 10 % Ethanol)
<b>Gewicht</b>	
Ohne Kraftstoff, kg/lbs	140/308
Empfohlenes Öl	4-Takt-Motorenöl, Klassifizierung SJ, SL oder gleichwertig. <sup>9</sup>
<b>Empfohlener Staubabsauger</b>	
Min. Luftstrom, m <sup>3</sup> /h /CFM	400/236
Min. Vakuum, kPa/psi	322/3,2
Min. Wasserhub, m/Zoll	2,3/90
Staubabsauger-Ausrüstung, mm/Zoll	50/2
<b>Geräuschemissionen<sup>10</sup></b>	
Schalleistungspegel L <sub>WA</sub> WA (gemessen), dB (A)	102
<b>Lautstärke<sup>11</sup></b>	
Schalldruckpegel L <sub>PA</sub> dB(A)	88
<b>Vibrationswerte<sup>12</sup></b>	
Griff rechts, m/s <sup>2</sup>	4,6
Griff links, m/s <sup>2</sup>	3,8

## Konformitätserklärung für Geräusche und Vibrationen

Diese erklärten Werte wurden in Laborversuchen in Übereinstimmung mit der aufgeführten Richtlinie oder Norm ermittelt und eignen sich für einen Vergleich mit Wertdeklarationen anderer Produkte, die nach der gleichen Richtlinie bzw. Norm geprüft wurden. Diese Wertdeklarationen eignen sich nicht zur Verwendung in

Risikobewertungen, zudem können die an einzelnen Arbeitsplätzen gemessenen Werte höher sein. Die tatsächlichen Belastungswerte und das Gefährdungsrisiko eines individuellen Benutzers sind immer spezifisch und davon abhängig, wie der Benutzer arbeitet, in welchem Material das Produkt eingesetzt wird, sowie von der Belastungszeit, dem Gesundheitszustand des Benutzers und dem Gerätezustand.

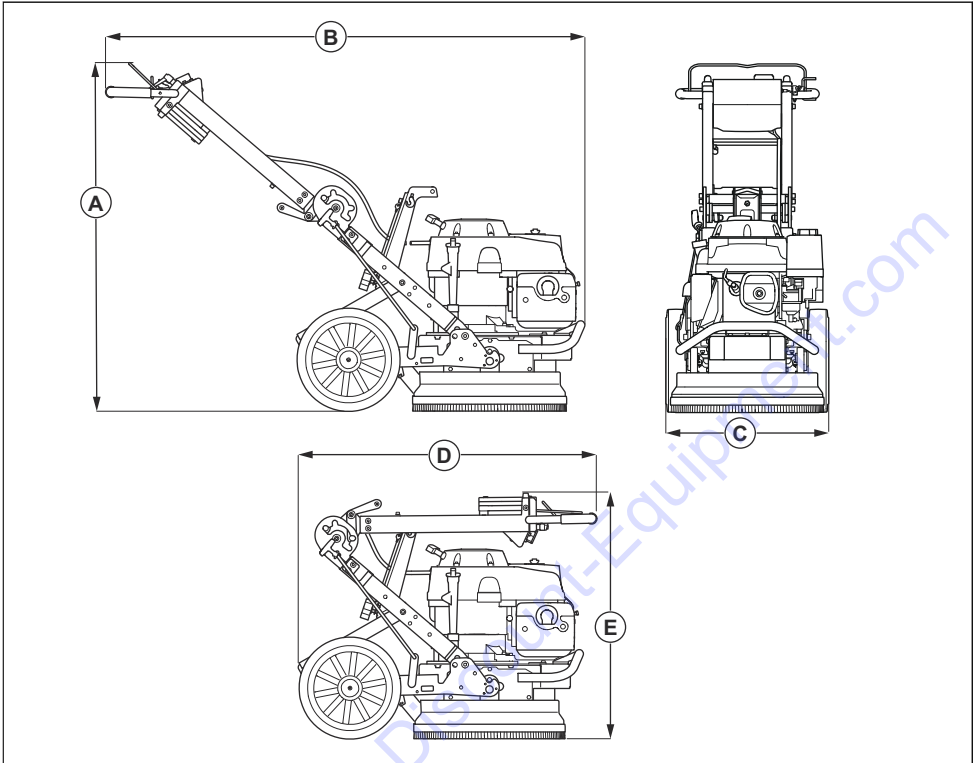
<sup>9</sup> Überprüfen Sie immer das API Serviceetiketts auf dem Ölbehälter, um sich zu vergewissern, dass es die Buchstaben SJ, SL (oder gleichwertig) enthält.

<sup>10</sup> Umweltbelastende Geräuschemissionen gemessen als Schalleistung gemäß EN 60335-2-72. Erwartete Messunsicherheit 3 dB(A)

<sup>11</sup> Schalldruckpegel gemäß EN 60335-2-72. Erwartete Messunsicherheit 3 dB(A)

<sup>12</sup> Vibrationspegel gemäß EN 60335-2-72. Berichten zufolge liegt der Vibrationspegel normalerweise bei einer Ausbreitungsklasse (Standardabweichung) von 1 m/s<sup>2</sup>.

## Gerätemaße



**Abmessungen, mm/Zoll**

A	1011/39,8
B	1397/55
C	480/18,9
D	900/35,4
E	710/28,0



---

## Sommaire

---

Introduction.....	42	Transport et stockage.....	58
Sécurité.....	44	Caractéristiques techniques.....	59
Utilisation.....	47	Déclaration de conformité CE.....	62
Entretien.....	54	.....	0
Dépannage.....	57		

---

## Introduction

---

### Description du produit

Le produit est une meuleuse équipée d'un moteur à combustion d'essence 4 temps. Le produit est conçu pour ôter des résidus de surfaces lourdes et pour préparer les sols. Le produit fonctionne avec un extracteur de poussière externe.

Le produit propose les fonctions suivantes :

- Une largeur de meulage de 400 mm.
- Un capot de tête de meulage qui adapte le mouvement à la couche de la surface.
- Une tête de meulage équipée d'un disque.
- Peut contenir 9 outils diamantés.
- Un cadre qui peut être plié pour faciliter le transport et le stockage.

### Utilisation prévue

Le produit est conçu pour un usage commercial léger au sein de propriétés privées ou de petits commerces.

Utilisez uniquement le produit sur des surfaces horizontales.

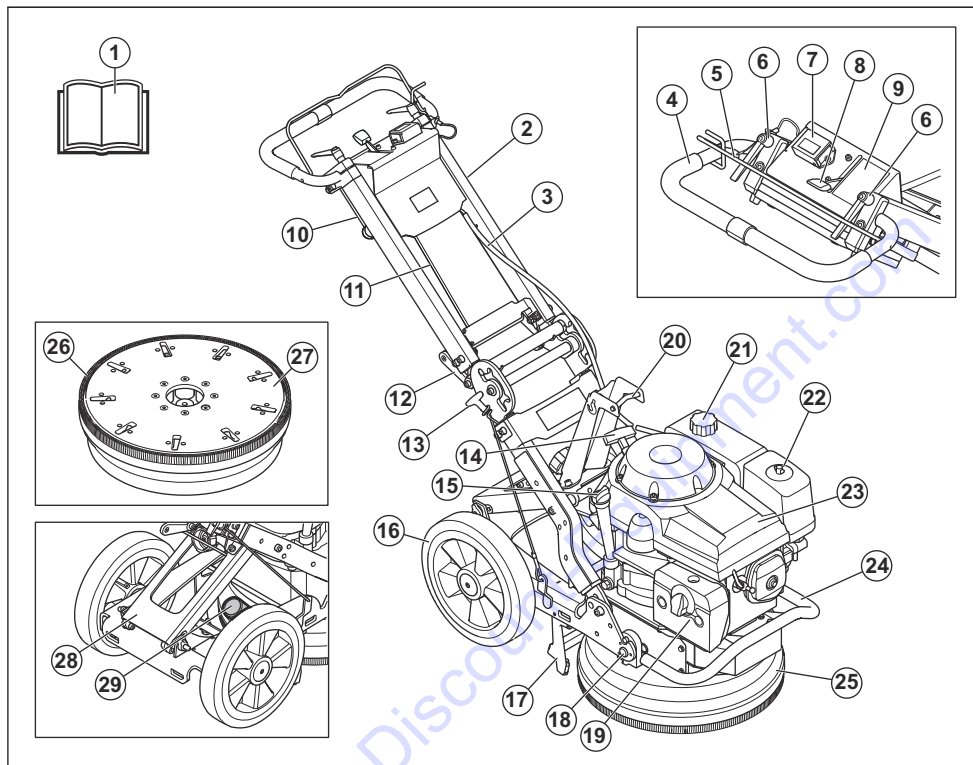
Utilisez le produit pour meuler les surfaces en béton de différentes duretés, comme le terrazo et les dalles en pierre.



**AVERTISSEMENT:** N'utilisez pas ce produit pour d'autres travaux.

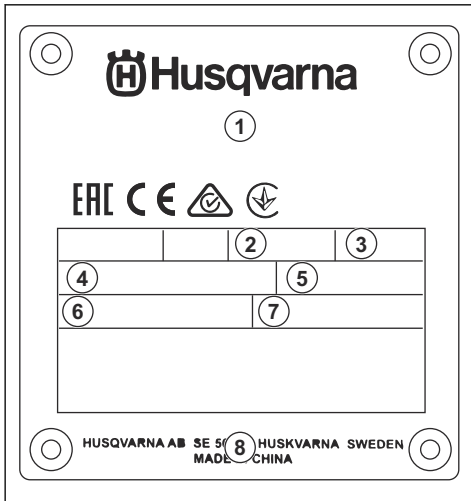
---

## Aperçu du produit



- |  |                                     |
|--|-------------------------------------|
| 1. Manuel de l'opérateur   | 21. Bouchon du réservoir d'essence  |
| 2. Poignée   | 22. Filtre à air                    |
| 3. Câble pour le contrôle de présence de l'utilisateur                           | 23. Moteur                          |
| 4. Guidon  | 24. Protection de moteur            |
| 5. Contrôle de présence de l'utilisateur   | 25. Capot de tête de meulage        |
| 6. Boutons de verrouillage pour le réglage du guidon                             | 26. Brosse                          |
| 7. Compteur horaire  | 27. Plaque de l'outil               |
| 8. Commande d'accélération   | 28. Châssis de support              |
| 9. Autocollant d'accélération  | 29. Raccord pour tuyau d'aspiration |
| 10. Contrepoids  |                                     |
| 11. Câble d'accélération   |                                     |
| 12. Poignée articulée  |                                     |
| 13. Poignée de support de démarrage  |                                     |
| 14. Poignée du câble du démarreur  |                                     |
| 15. Bouchon du réservoir d'huile   |                                     |
| 16. Roue en caoutchouc   |                                     |
| 17. Support de démarrage   |                                     |
| 18. Boulon de verrouillage pour fixer le moteur et la tête de meulage au châssis |                                     |
| 19. Silencieux   |                                     |
| 20. Anneau de levage   |                                     |

## Plaque d'identification



1. Modèle

2. Puissance, kW
3. Vitesse maximale, tr/min
4. Zone de meulage, mm
5. Poids, kg
6. Année de production et numéro de série
7. Référence de production
8. Adresse du fabricant

## Responsabilité

Conformément à la loi sur la responsabilité du fait des produits, nous déclinons toute responsabilité pour tout dommage causé par notre produit si :

- le produit n'est pas correctement réparé ;
- le produit est réparé avec des pièces qui ne proviennent pas du fabricant ou qui ne sont pas homologuées par le fabricant ;
- le produit est équipé d'un accessoire qui ne provient pas du fabricant ou qui n'est pas homologué par le fabricant ;
- le produit n'est pas réparé par un centre d'entretien agréé ou par une autorité homologuée.

## Sécurité

### Définitions de sécurité

Des avertissements, des recommandations et des remarques sont utilisés pour souligner des parties spécialement importantes du manuel.



**AVERTISSEMENT:** Symbole utilisé en cas de risque de blessures ou de mort pour l'opérateur ou les personnes à proximité si les instructions du manuel ne sont pas respectées.



**REMARQUE:** Symbole utilisé en cas de risque de dommages pour le produit, d'autres matériaux ou les environs si les instructions du manuel ne sont pas respectées.

**Remarque:** Symbole utilisé pour donner des informations supplémentaires pour une situation donnée.

### Instructions générales de sécurité



**AVERTISSEMENT:** Lisez les instructions qui suivent avant d'utiliser le produit.

- Ce produit est un outil dangereux si vous ne faites pas attention ou si vous l'utilisez de manière incorrecte. Ce produit peut causer des blessures

graves, voire mortelles, à l'opérateur ou à d'autres personnes. Avant d'utiliser le produit, il convient de lire attentivement et de bien comprendre les instructions contenues dans ce manuel de l'opérateur.

- Conservez tous les avertissements de sécurité et toutes les instructions.
- Respectez l'ensemble des lois et réglementations applicables.
- L'opérateur et son employeur doivent connaître et éviter tout risque au cours de l'utilisation du produit.
- Ne laissez personne utiliser le produit avant d'avoir lu et compris le contenu du manuel de l'opérateur.
- N'utilisez pas le produit sauf si vous bénéficiez d'une formation préalable. Assurez-vous que tous les opérateurs suivent une formation.
- Ne laissez pas un enfant utiliser le produit.
- Seules les personnes autorisées peuvent utiliser le produit.
- L'utilisateur est tenu responsable des accidents auxquels il expose autrui ou ses biens.
- N'utilisez jamais l'appareil si vous êtes fatigué ou malade, ou si vous êtes sous l'emprise d'alcool, de drogues ou de médicaments.
- Soyez toujours prudent et utilisez votre bon sens.
- Ce produit génère un champ électromagnétique durant son fonctionnement. Ce champ peut dans certaines circonstances perturber le fonctionnement d'implants médicaux actifs ou passifs. Pour réduire le risque de blessures graves ou mortelles, nous recommandons aux personnes portant des implants

médicaux de consulter leur médecin et le fabricant de leur implant avant d'utiliser cet appareil.

- Maintenez le produit propre. Assurez-vous que vous pouvez lire clairement les avertissements et les autocollants.
- N'utilisez pas le produit si celui-ci est défectueux.
- Ne modifiez pas ce produit.
- N'utilisez pas le produit s'il est susceptible d'avoir été modifié par d'autres personnes.

## Instructions de sécurité pour le fonctionnement



**AVERTISSEMENT:** Lisez les instructions qui suivent avant d'utiliser le produit.

- Utilisez un équipement de protection personnelle. Reportez-vous à la section *Équipement de protection individuel à la page 45*.
- Une exposition excessive aux vibrations peut entraîner des troubles circulatoires ou nerveux chez les personnes sujettes à des troubles cardiovasculaires. Consultez un médecin en cas de symptômes liés à une exposition excessive aux vibrations. Ces symptômes peuvent être les suivants : insensibilisation ou irritation locale, douleur, chatouillements, faiblesse musculaire, décoloration ou modification cutanée. Ces symptômes affectent généralement les doigts, les mains ou les poignets.
- Avant de vous éloigner du produit, arrêtez le moteur et assurez-vous qu'il n'y a aucun risque de démarrage accidentel.
- Faites démarrer le produit uniquement lorsque la brosse est fixée. La brosse doit adhérer fermement à la surface, surtout dans le cadre d'opérations sur surface sèche.
- Vérifiez que la brosse est propre et intacte. Remplacez la brosse en cas de dommages.
- Lors d'un meulage à sec, branchez le produit sur un extracteur de poussière pour éliminer la poussière.
- Laissez l'extracteur de poussière en marche jusqu'à l'arrêt complet du moteur.
- Assurez-vous que la tête de meulage ne touche pas la surface lors du démarrage du produit.
- Assurez-vous que seules les personnes autorisées se trouvent dans la zone de travail.
- N'utilisez pas ce produit dans des zones présentant un risque d'incendie ou d'explosion.
- Démontez toujours l'outil diamanté après chaque opération.
- Lorsque vous retirez les outils diamantés, laissez le produit refroidir et utilisez des gants de protection. Après utilisation, les outils diamantés sont très chauds.
- Assurez-vous que le produit est monté correctement.

- Pour soulever le produit, utilisez toujours l'anneau de levage du produit.
- Utilisez le produit uniquement lorsque vous vous trouvez à l'arrière, avec les 2 mains sur la poignée.
- Utilisez uniquement le produit sur des surfaces horizontales.
- Soyez très prudent lorsque vous faites monter et descendre le produit sur des rampes. Le produit est lourd et il y a un risque de blessure si le produit tombe ou se déplace trop rapidement. Pour les rampes à grand angle, utilisez toujours un treuil. Ne marchez pas et ne restez pas sous le produit.
- Gardez toujours les 2 roues sur le sol lors de l'utilisation.
- Assurez-vous que vous savez arrêter le moteur rapidement en cas d'urgence.
- Assurez-vous que les vêtements, cheveux longs et bijoux ne peuvent pas se coincer dans les pièces en mouvement.
- Veillez à vous tenir dans une position stable et sûre pendant l'utilisation du produit.
- L'apparition soudaine de personnes et d'animaux peut empêcher l'utilisation en toute sécurité du produit. Utilisez toujours le produit avec précaution et soyez prêt à l'arrêter si nécessaire.
- N'utilisez pas le produit à moins de pouvoir être secouru en cas d'accident.
- Utilisez uniquement des accessoires homologués. Pour plus d'informations, contactez votre revendeur Husqvarna.

## Équipement de protection individuel



**AVERTISSEMENT:** Lisez les instructions qui suivent avant d'utiliser le produit.

- Utilisez toujours un équipement de protection individuel approprié lorsque vous faites fonctionner le produit. L'équipement de protection individuel n'empêche pas le risque de blessures. L'équipement de protection individuel diminue la gravité des blessures en cas d'accident. Faites appel à votre revendeur pour vous aider à sélectionner l'équipement adéquat.
- Utilisez des protections pour les yeux homologuées pendant que vous utilisez le produit.
- Ne portez pas de vêtements lâches, lourds ou inadaptés. Utilisez des vêtements qui garantissent votre liberté de mouvement.
- Utilisez des gants de protection homologués qui permettent de tenir fermement des objets.
- Utilisez un casque de protection homologué.
- Utilisez toujours des protecteurs d'oreille homologués pendant l'utilisation du produit. Une exposition au bruit sur de longues périodes peut provoquer une perte d'audition.

- Le produit génère de la poussière et des fumées qui contiennent des produits chimiques dangereux. Portez une protection respiratoire homologuée.
- Utilisez des bottes avec embouts en acier et semelles antidérapantes.
- Assurez-vous de disposer d'une trousse de premiers soins à proximité.
- Des étincelles peuvent se produire lorsque vous utilisez le produit. Assurez-vous de disposer d'un extincteur à proximité.

## Sécurité relative aux gaz d'échappement



**AVERTISSEMENT:** Lisez les instructions qui suivent avant d'utiliser le produit.

- Les gaz d'échappement du moteur contiennent du monoxyde de carbone, un gaz inodore, toxique et très dangereux. Respirer du monoxyde de carbone peut être mortel. Le monoxyde de carbone est inodore et invisible ; il est impossible de le sentir. Le monoxyde de carbone provoque des symptômes d'intoxication, notamment des vertiges, mais il est possible qu'une personne devienne rapidement inconsciente si la quantité ou la concentration de monoxyde de carbone est suffisante.
- Les gaz d'échappement contiennent également des hydrocarbures non brûlés, dont du benzène. À long terme, l'inhalation des gaz d'échappement peut entraîner des problèmes de santé.
- Les gaz d'échappement pouvant être vus ou sentis contiennent également du monoxyde de carbone.
- N'utilisez pas un produit doté d'un moteur à combustion à l'intérieur ou dans les zones insuffisamment ventilées.
- Ne respirez pas les gaz d'échappement.
- Assurez-vous que la zone de travail est suffisamment ventilée. Ceci est particulièrement important lorsque vous utilisez le produit dans des tranchées ou d'autres petites zones de travail, où les gaz d'échappement peuvent facilement s'accumuler.

## Sécurité relative au bruit



**AVERTISSEMENT:** Lisez les instructions qui suivent avant d'utiliser le produit.

- Des niveaux sonores élevés et une exposition prolongée au bruit peuvent provoquer une perte auditive.
- Afin de maintenir le niveau sonore au minimum, effectuez l'entretien et utilisez le produit comme indiqué dans le manuel d'utilisation.
- Utilisez des protège-oreilles homologués pendant l'utilisation du produit.
- Soyez attentif aux signaux d'alerte et aux appels lorsque vous portez des protège-oreilles. Retirez les protège-oreilles lorsque le produit est arrêté, sauf si

les protège-oreilles sont nécessaires en raison du niveau sonore dans la zone de travail.

## Dispositifs de sécurité sur le produit



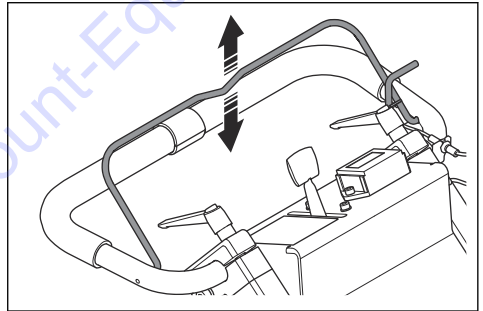
**AVERTISSEMENT:** Lisez les instructions qui suivent avant d'utiliser le produit.

- N'utilisez pas un produit avec des dispositifs de sécurité défectueux.
- Contrôlez les dispositifs de sécurité régulièrement. Si les dispositifs de sécurité sont défectueux, parlez-en à votre agent d'entretien Husqvarna.

### Pour vérifier le contrôle de présence de l'utilisateur

Le contrôle de présence de l'utilisateur arrête le moteur. Lorsque le contrôle de présence de l'utilisateur est relâché, le moteur s'arrête.

- Démarrez le moteur, puis relâchez le contrôle de présence de l'utilisateur. Si le moteur ne s'arrête pas au bout de 3 secondes, demandez à un atelier spécialisé Husqvarna agréé de corriger le contrôle de présence de l'utilisateur.



### Silencieux

Le silencieux est conçu pour réduire au maximum le niveau sonore et rejeter les gaz d'échappement loin de l'utilisateur.

N'utilisez pas la machine si le silencieux est manquant ou défectueux. Un silencieux en mauvais état augmente le niveau sonore et le risque d'incendie.



**AVERTISSEMENT:** Le silencieux devient très chaud pendant et après utilisation et lorsque le moteur fonctionne au régime de ralenti. Soyez vigilant à proximité des matériaux inflammables et/ou des fumées pour prévenir tout risque d'incendie.

### Pour contrôler le silencieux

- Examinez le silencieux régulièrement pour s'assurer qu'il est correctement fixé et qu'il n'est pas endommagé.

## Sécurité carburant



**AVERTISSEMENT:** Lisez les instructions qui suivent avant d'utiliser le produit.

- Le carburant est inflammable et ses vapeurs sont explosives. Faites attention lors de la manipulation du carburant pour éviter tout risque de blessures, d'incendie et d'explosion.
- Ne respirez pas les vapeurs de carburant. Les vapeurs de carburant sont toxiques et peuvent causer des blessures. Assurez-vous que la ventilation est suffisante.
- Ne retirez pas le bouchon du réservoir de carburant et ne remplissez pas le réservoir quand le moteur tourne.
- Laissez le moteur se refroidir avant de faire le plein.
- Ne faites pas le plein de carburant dans un espace intérieur. Un débit d'air insuffisant peut causer des blessures graves, voire mortelles dues à une asphyxie ou au monoxyde de carbone.
- Ne fumez pas à proximité du carburant ou du moteur.
- Ne mettez pas d'objets chauds à proximité du carburant ou du moteur.
- Ne faites pas le plein de carburant à proximité d'étincelles ou de flammes.
- Avant de faire le plein, ouvrez le bouchon du réservoir de carburant lentement et relâchez la pression avec précaution.
- La présence de carburant sur la peau peut causer des blessures. Si votre peau entre en contact avec le carburant, lavez les parties qui ont été en contact avec de l'eau et du savon.
- Si vous avez renversé du carburant sur vos vêtements, changez de vêtements immédiatement.
- Ne remplissez pas entièrement le réservoir de carburant. La chaleur entraîne la dilatation du carburant. Laissez un espace en haut du réservoir de carburant.
- Serrez complètement le bouchon du réservoir de carburant. Si le bouchon du réservoir de carburant n'est pas serré, il y a un risque d'incendie.
- Utilisez le bouchon du réservoir de carburant doté d'une ventilation pour l'utilisation et le stockage du produit.

- Avant de démarrer le produit, éloignez-le d'au moins 3 m/10 pi de l'endroit où vous effectuez l'appoint de carburant.
- Ne démarrez pas le produit si du carburant ou de l'huile moteur a été renversé(e) sur le produit. Retirez le carburant et l'huile moteur indésirables et laissez sécher le produit avant de démarrer le moteur.
- Vérifiez régulièrement s'il y a des fuites de moteur. S'il y a des fuites dans le système de carburant, ne démarrez pas le moteur jusqu'à ce que les fuites soient réparées.
- N'examinez pas la présence de fuites sur le moteur avec vos doigts.
- Conservez le carburant uniquement dans des récipients homologués.
- Lorsque le produit et le carburant sont stockés, assurez-vous que le carburant et les vapeurs de carburant ne peuvent pas provoquer des dégâts.
- Videz le carburant dans un récipient homologué à l'extérieur et loin de toute étincelle et flamme.

## Instructions de sécurité pour l'entretien

- Placez toujours la commande d'accélération en position d'arrêt (A) avant toute opération d'entretien du produit. Reportez-vous à la section *Commande d'accélération à la page 52*.
- Assurez-vous que toutes les pièces sont en bon état et que toutes les fixations sont correctement serrées.
- N'utilisez pas un produit défectueux. Effectuez les contrôles de sécurité, de maintenance et d'entretien indiqués dans ce manuel. Toutes les autres tâches d'entretien doivent être effectuées par un agent d'entretien homologué.
- Arrêtez le produit lorsque vous remplacez les outils diamantés.
- Effectuez l'inspection et/ou l'entretien lorsque le moteur à l'arrêt.
- Laissez le moteur refroidir avant de procéder à l'entretien du produit.
- Assurez-vous d'effectuer l'entretien du produit sur un sol horizontal et stable.
- Effectuez l'entretien pour vous assurer que le produit fonctionne correctement. Reportez-vous à *Entretien à la page 54*

## Utilisation

### Introduction



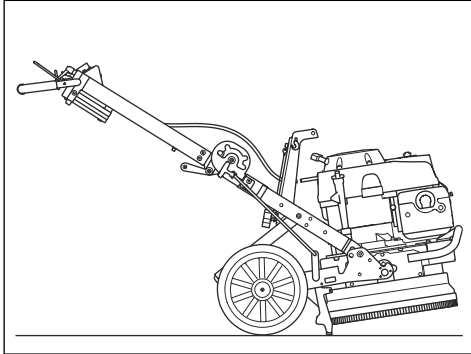
**AVERTISSEMENT:** Avant d'utiliser le produit, vous devez lire et comprendre le chapitre sur la sécurité.



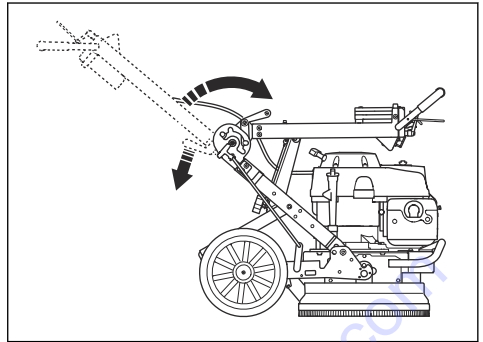
**AVERTISSEMENT:** Faites attention lorsque vous réglez le guidon entre la position de fonctionnement, la position de maintenance et la position de transport. La poignée est lourde et doit être maintenue fermement. Regardez autour de vous avant de régler la position de la poignée afin d'éviter tout dommage ou toute blessure.

## Positions du produit

### Position de démarrage du moteur



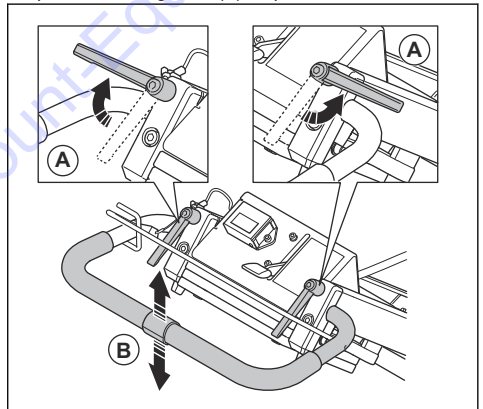
### Position de transport



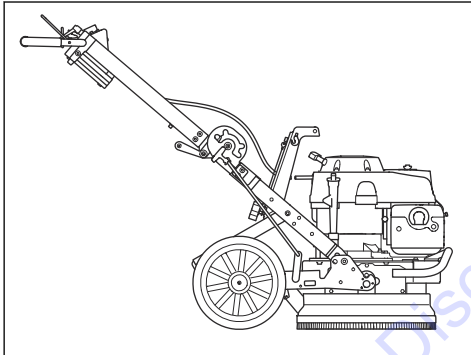
### Pour régler le guidon

Les boutons de verrouillage du guidon tournent dans le sens des aiguilles d'une montre et dans le sens contraire des aiguilles d'une montre, et peuvent être placés en position neutre.

1. Desserrez les boutons de verrouillage (A) et positionnez le guidon (B) en position neutre.



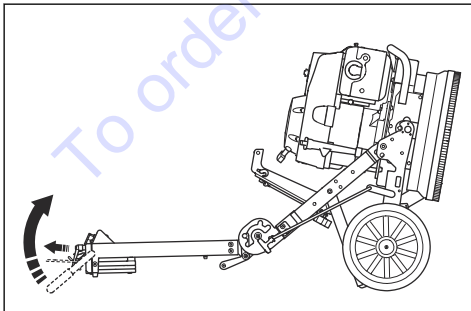
### Position de fonctionnement



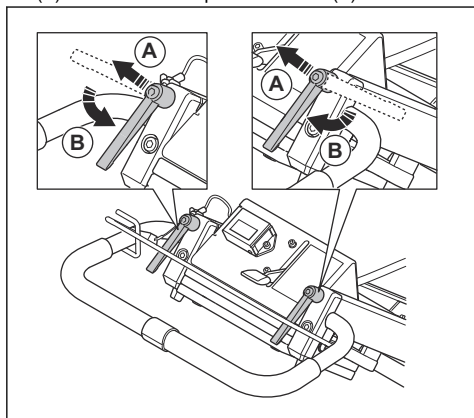
### Position d'entretien



**REMARQUE:** placez le produit en position d'entretien uniquement sur une surface horizontale.



- Lorsque la position du guidon est réglée, tirez les boutons de verrouillage de la poignée vers le haut (A) et mettez-les en position neutre (B).



### Hauteurs de la poignée

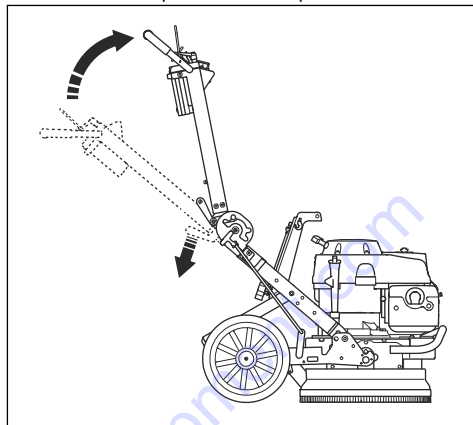
Position du trou	Hauteur de la poignée, mm/po.
Haut	835/33
Central	925/36
Inférieur	1 000/39

### Pour régler la hauteur du cadre

L'angle du cadre peut être modifié pour répartir le poids du cadre. Cela permet de réduire ou d'augmenter la pression de meulage sur la surface.

- Arrêtez le moteur. Reportez-vous à la section *Pour arrêter le produit à la page 54.*

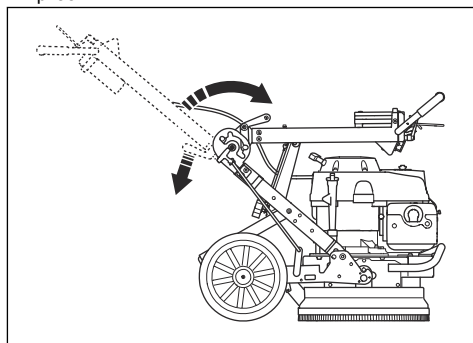
- Placez un pied sur le châssis de support. Utilisez vos mains pour pousser la poignée à angle sur la charnière centrale. Pliez simultanément la poignée vers l'avant en position de transport.



**AVERTISSEMENT:** Utilisez vos deux mains et un pied pour plier la poignée.

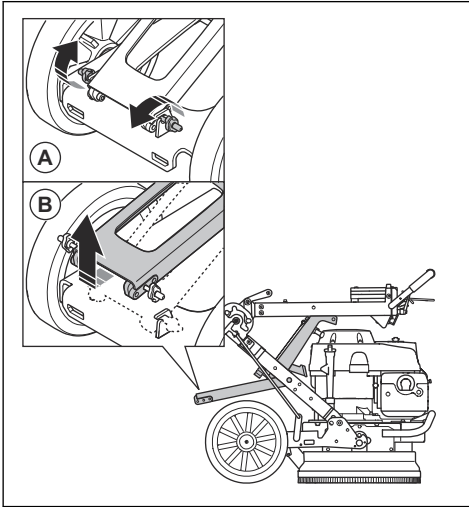
**Remarque:** Placez une protection entre le moteur et le boîtier électrique pour éviter d'endommager le produit.

- Assurez-vous que la poignée est complètement pliée.

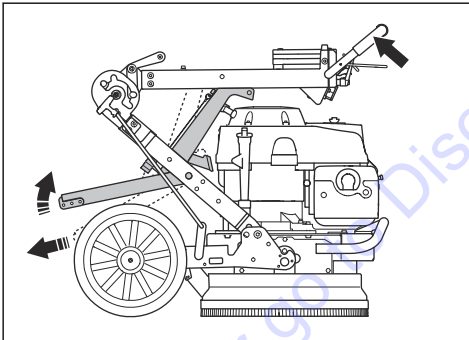




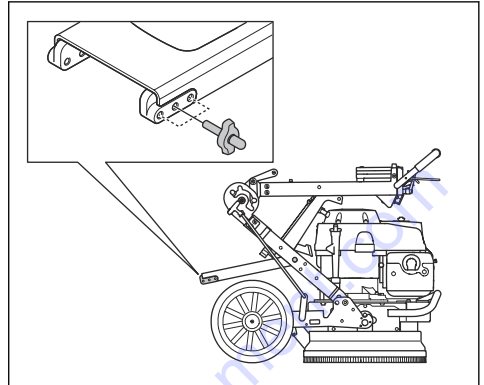
4. Retirez les boutons de verrouillage (A) pour desserrer le châssis de support (B).



5. Maintenez le guidon pour assurer la stabilité de la poignée et soulevez le châssis de support vers l'extérieur et vers le haut.



6. Sélectionnez la position correspondant au châssis de support et serrez le bouton de verrouillage. Le trou inférieur augmente la pression de meulage et la hauteur du guidon. Le trou supérieur réduit la pression de meulage et la hauteur du guidon.



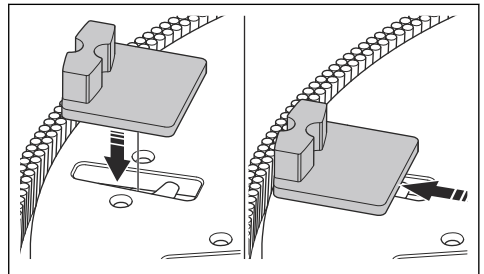
7. Placez le produit en position de fonctionnement.

## Outils diamantés

De nombreux types d'outils diamantés sont disponibles pour le produit. Consultez Discount-equipment pour choisir le bon outil diamanté.

## Installation des outils diamantés

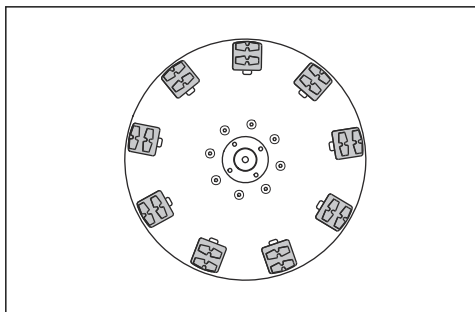
La plaque de l'outil utilise le système RediLock™ Dovetail.



L'installation des outils diamantés sur la plaque de l'outil a des conséquences sur les performances de l'outil. Le type d'outil diamanté et le nombre de segments qu'il contient sont des facteurs importants. Utilisez toujours

des jeux symétriques d'outils diamantés pour garantir le bon équilibre de la tête de meulage.

Les outils diamantés à liant métallique à 1 segment en diamant augmentent la pression de l'outil diamanté.



Pour l'enlèvement le plus intensif, nous vous recommandons d'utiliser des outils qui n'ont qu'un sens de rotation et des extrémités supérieures en diamant PCD.

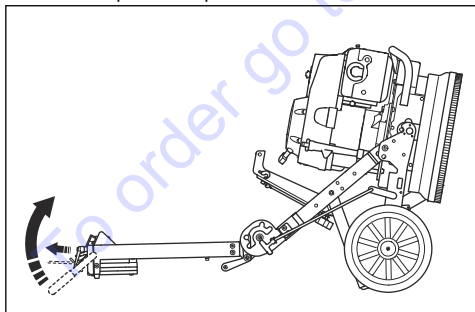
**Remarque:** Les outils diamantés PCD, tels que ceux de la marque Piranha™, sont conçus pour fonctionner dans un seul sens.

## Pour remplacer les outils diamantés

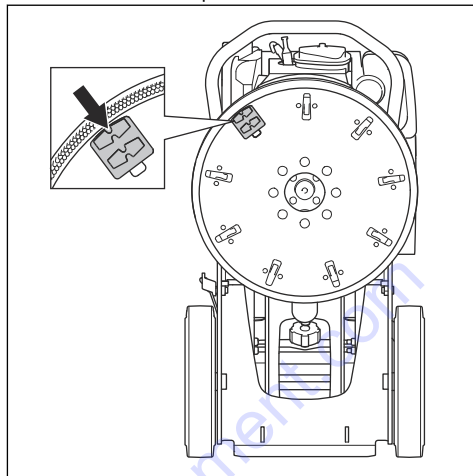


**AVERTISSEMENT:** Les outils diamantés peuvent devenir très chauds. Utilisez des gants de protection.

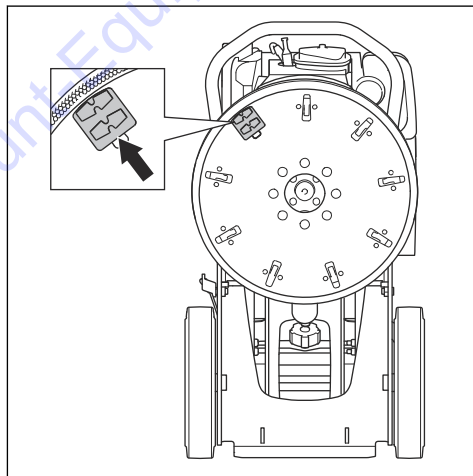
1. Vérifiez que le moteur est coupé et que le contrôle de présence de l'utilisateur n'est pas en contact avec le guidon.
2. Placez le produit en position d'entretien.



3. Utilisez un marteau pour retirer les outils diamantés.



4. Fixez les outils diamantés neufs sur la plaque de l'outil.



**TO PURCHASE THIS PRODUCT PLEASE CONTACT US**



**Equipment Financing and  
Extended Warranties Available**



**Discount-Equipment.com is your online resource for  
commercial and industrial quality parts and equipment sales.**

**561-964-4949**

**visit us on line @ [www.discount-equipment.com](http://www.discount-equipment.com)**

Select an option below to find your Equipment

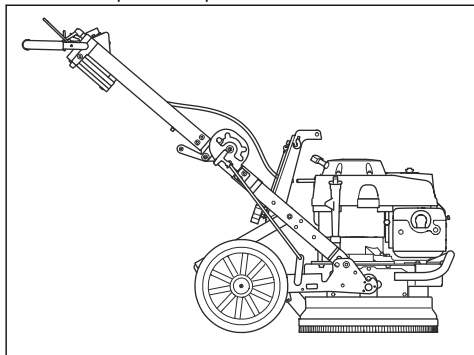
**Search by Manufacturer**

**Search by Product Type**

**Request a Quote**

We sell worldwide for the brands: Genie, Terex, JLG, MultiQuip, Mikasa, Essick, Whiteman, Mayco, Toro Stone, Diamond Products, Generac Magnum, Airman, Haulotte, Barreto, Power Blanket, Nifty Lift, Atlas Copco, Chicago Pneumatic, Allmand, Miller Curber, Skyjack, Lull, Skytrak, Tsurumi, Husquvarna Target, Stow, Wacker, Sakai, Mi-T-M, Sullair, Basic, Dynapac, MBW, Weber, Bartell, Bennar Newman, Haulotte, Ditch Runner, Menegotti, Morrison, Contec, Buddy, Crown, Edco, Wyco, Bomag, Laymor, EZ Trench, Bil-Jax, F.S. Curtis, Gehl Pavers, Heli, Honda, ICS/PowerGrit, IHI, Partner, Imer, Clipper, MMD, Koshin, Rice, CH&E, General Equipment, Amida, Coleman, NAC, Gradall, Square Shooter, Kent, Stanley, Tamco, Toku, Hatz, Kohler, Robin, Wisconsin, Northrock, Oztec, Toker TK, Rol-Air, APT, Wylie, Ingersoll Rand / Doosan, Innovatech, Con X, Ammann, Mecalac, Makinex, Smith Surface Prep, Small Line, Wanco, Yanmar

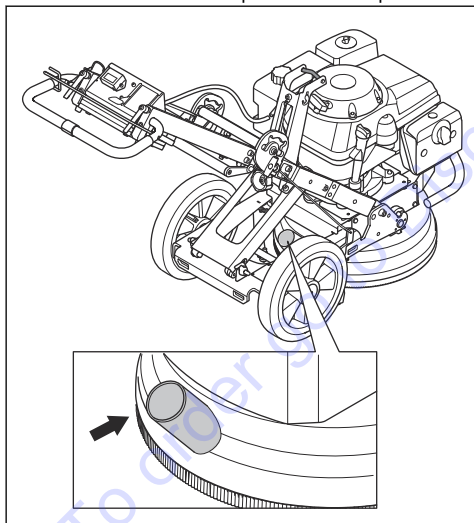
5. Placez le produit en position de fonctionnement.



## Pour brancher un extracteur de poussière

Lors du meulage à sec, utilisez un système extracteur de poussière Husqvarna. Reportez-vous à la section *Caractéristiques techniques à la page 59*. Les extracteurs de poussière recommandés sont Husqvarna T 4000 Petrol ou S 36.

1. Branchez l'extracteur de poussière sur le produit.

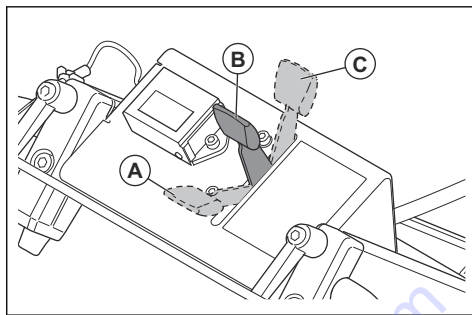


2. Assurez-vous que les filtres de l'extracteur de poussière sont en bon état et propres. Surveillez la poussière pendant le fonctionnement.

## Commande d'accélération

La commande d'accélération dispose de 3 positions :

- Position d'arrêt (A).
- Position de mode de fonctionnement (B).
- Position de démarrage/position de starter (C).



**AVERTISSEMENT:** Placez toujours la commande d'accélération en position d'arrêt (A) lorsque vous arrêtez le produit afin d'éviter tout démarrage accidentel.

## Pour contrôler le sens d'utilisation

Pendant son utilisation, le produit peut tirer d'un côté. La direction de traction est liée au sens de rotation de la tête de meulage et au mode d'utilisation du produit.

- Gardez toujours les 2 roues sur le sol lors de l'utilisation du produit.
- Appliquez les forces latérales sur la poignée pour diriger le produit.
- Tenez toujours fermement la poignée à deux mains pour rester stable et assurez-vous que le produit ne se déplace pas latéralement.

## Pour remplir le réservoir de carburant

Si cela est possible, utilisez de l'essence d'alkylate/écologique. Si vous ne pouvez pas vous procurer de l'essence d'alkylate/écologique, utilisez l'essence sans plomb de bonne qualité ou d'essence dont le taux d'octane n'est pas inférieur à 90.



**REMARQUE:** N'utilisez pas d'essence avec un indice d'octane inférieur à 90 RON (87 AKI). Cela peut endommager le produit.

1. Ouvrez lentement le couvercle du réservoir de carburant pour relâcher la pression.
2. Remplissez lentement le réservoir à l'aide d'un bidon de carburant. Si vous renversez du carburant, essuyez-le à l'aide d'un chiffon et laissez le carburant restant sécher.
3. Essuyez le pourtour du bouchon du réservoir de carburant.
4. Serrez complètement le bouchon du réservoir de carburant. Si le bouchon du réservoir de carburant n'est pas serré, il y a un risque d'incendie.
5. Déplacez le produit à un minimum de 3 m (10 ft) de l'endroit où a été fait le plein de carburant avant de démarrer le produit.

## 2 bouchons du réservoir de carburant différents

Le produit est fourni avec 2 bouchons du réservoir de carburant différents.

- Le bouchon du réservoir de carburant pour le fonctionnement est fixé au réservoir de carburant. Ce bouchon de réservoir de carburant est doté d'une ventilation et laisse tourner le moteur.
- Le bouchon du réservoir de carburant pour l'entretien est un bouchon de réservoir entièrement étanche. Ce bouchon du réservoir de carburant doit uniquement être utilisé pendant l'entretien afin d'éviter toute fuite de carburant.

---

**Remarque:** Le moteur s'arrête si le bouchon du réservoir de carburant pour l'entretien est utilisé en cours de fonctionnement. Le bouchon du réservoir entièrement étanche empêche toute aspiration de carburant du moteur.

---

**Remarque:** Un autre autocollant pour le bouchon de réservoir étanche est fourni avec le produit.

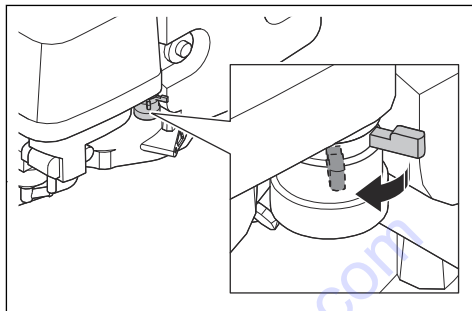
---

## À faire avant de démarrer le produit

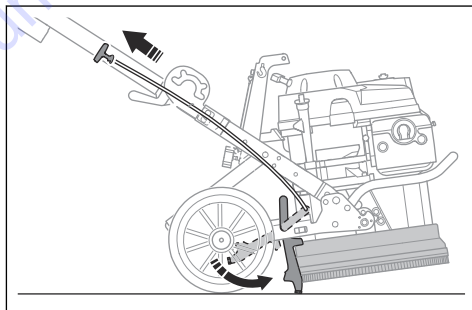
1. Lisez attentivement le manuel d'utilisation et assurez-vous de bien comprendre les instructions.
2. Utilisez un équipement de protection personnelle. Reportez-vous à la section *Équipement de protection individuel* à la page 45.
3. Effectuez l'entretien quotidien. Reportez-vous à la section *Calendrier de maintenance* à la page 54.
4. Assurez-vous que le produit est correctement monté et qu'il n'est pas endommagé.
5. Placez la meuleuse sur la zone de travail. Assurez-vous que la surface est horizontale.
6. Assurez-vous qu'il y a des outils diamantés sur la tête de meulage et qu'ils sont bien fixés.
7. Branchez l'extracteur de poussière sur le produit. Reportez-vous à la section *Pour brancher un extracteur de poussière* à la page 52.
8. Réglez le guidon à une hauteur d'utilisation applicable. Reportez-vous à la section *Pour régler le guidon* à la page 48.
9. Remplissez le réservoir de carburant. Reportez-vous à la section *Pour remplir le réservoir de carburant* à la page 52.
10. Posez le bouchon du réservoir de carburant doté d'une ventilation.
11. Contrôlez le niveau d'huile. Reportez-vous à la section *Pour contrôler le niveau d'huile* à la page 55.

## Pour démarrer le produit

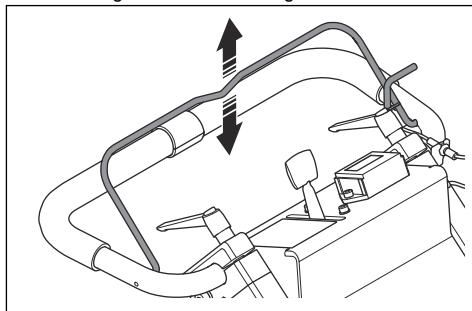
1. Ouvrir le robinet à carburant.



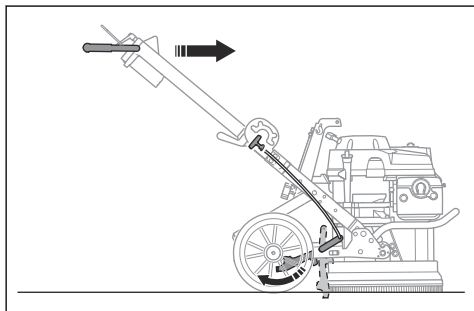
2. Placez la commande d'accélération sur la bonne position. Reportez-vous à la section *Commande d'accélération* à la page 52.
  - a) En cas de démarrage avec un moteur froid, placez la commande d'accélération en position de démarrage.
  - b) En cas de démarrage avec un moteur chaud, placez la commande d'accélération en position de mode de fonctionnement.
3. Inclinez la tête de meulage et tirez la poignée de support de démarrage pour soulever les outils diamantés de la surface.



4. Maintenez le contrôle de présence de l'utilisateur contre le guidon avec la main gauche.



- Tirez la poignée du câble du démarreur de votre main droite.
- Lorsque le moteur tourne sans à-coups, placez la commande d'accélération en position de mode de fonctionnement.
- Déplacez le produit en marche avant pour libérer le support de démarrage et abaisser les outils diamantés.



## Pour arrêter le produit



**REMARQUE:** Ne soulevez pas la plaque de l'outil de la surface tant que le moteur n'est pas complètement arrêté. La poussière risque de pénétrer dans l'air et d'endommager la surface.

- Relâchez le contrôle de présence de l'utilisateur.
- Maintenez la plaque de l'outil contre la surface jusqu'à ce qu'elle s'arrête complètement.
- Placez la commande d'accélération en position d'arrêt.
- Fermez le robinet de carburant.

## Entretien

### Introduction



**AVERTISSEMENT:** Avant d'effectuer des travaux d'entretien, vous devez lire et comprendre le chapitre sur la sécurité.

Une formation spécifique est nécessaire pour effectuer tous les travaux d'entretien et de réparation du produit. Nous garantissons qu'il vous est possible d'obtenir des

services de réparation et d'entretien effectués par des professionnels. Si votre concessionnaire n'est pas un atelier spécialisé, demandez-lui des informations à propos de l'atelier spécialisé le plus proche.

### Calendrier de maintenance

Les intervalles d'entretien sont calculés selon une utilisation quotidienne du produit. Les intervalles sont différents si le produit n'est pas utilisé tous les jours.

Entretien	Toutes utilisations	Premier mois ou après 20 h	Tous les 3 mois ou toutes les 50 h	Tous les 6 mois ou toutes les 100 h	Tous les ans ou toutes les 300 h
Nettoyez le produit.	X				
Contrôlez la brosse.	X				
Contrôlez le niveau d'huile.	X				
Changez l'huile.		X		X	
Vérifiez le filtre à air.	X				
Nettoyez le filtre à air.			X <sup>13</sup>		
Remplacer le filtre à air.					X
Vérifiez la bougie.				X	
Remplacez la bougie.					X

<sup>13</sup> Nettoyez plus fréquemment si le produit est utilisé dans des zones sales.

## Nettoyage du produit

- Nettoyez toujours tout l'équipement après utilisation.
- N'utilisez pas de nettoyeur haute pression pour nettoyer le produit.
- Maintenez les ouvertures d'air propres et dégagées pour garantir que le produit est toujours suffisamment frais.

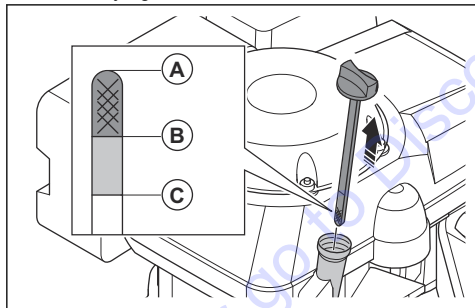
**Remarque:** N'utilisez pas d'air comprimé pour nettoyer la zone sous la tête de meulage.

## Pour contrôler le niveau d'huile



**REMARQUE:** L'utilisation du produit avec un niveau d'huile bas peut endommager le moteur.

1. Arrêtez le moteur. Reportez-vous à la section *Pour arrêter le produit à la page 54*.
2. Placez le produit sur un sol plat.
3. Retirez le bouchon du réservoir d'huile.
4. Nettoyez l'huile sur la jauge qui est fixée au bouchon du réservoir d'huile.
5. Placez la jauge dans le réservoir d'huile. Ne la serrez pas complètement.
6. Sortez la jauge et lisez le niveau d'huile.



- a) Si le niveau d'huile est bas (A), faites l'appoint d'huile moteur et contrôlez à nouveau le niveau d'huile. Reportez-vous à la section *Caractéristiques techniques à la page 59* pour connaître le type d'huile approprié.
  - b) Si le niveau d'huile est élevé (C), ne faites pas l'appoint d'huile moteur. Le niveau d'huile doit être compris entre (A) et (B).
7. Serrez correctement le bouchon du réservoir d'huile avant de démarrer le moteur.

**Remarque:** Le produit est doté d'un système qui vous indique que le niveau d'huile est trop bas. Si l'avertisseur sonore retentit, arrêtez le produit et ajoutez de l'huile.

## Pour remplacer l'huile moteur

Si le moteur est froid, faites tourner le moteur pendant 1 à 2 minutes avant de vidanger l'huile moteur. Ainsi, l'huile moteur sera chaude et plus facile à vidanger.



**AVERTISSEMENT:** L'huile moteur est très chaude juste après l'arrêt du moteur. Laissez le moteur refroidir avant de vidanger l'huile moteur. Si vous renversez de l'huile moteur sur votre peau, nettoyez avec de l'eau et du savon.

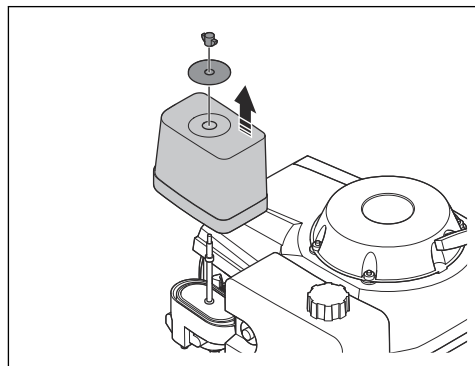
1. Placez le produit sur un sol plat.
  2. Placez un récipient sous le bouchon de vidange d'huile.
  3. Retirez le bouchon du réservoir d'huile, le bouchon de vidange d'huile et la rondelle.
- Remarque:** Mettez la rondelle au rebut.
4. Inclinez le produit et laissez l'huile s'écouler dans le récipient.
  5. Mettez le moteur en position de niveau et remplissez le réservoir d'huile avec l'huile recommandée. Reportez-vous à *Pour contrôler le niveau d'huile à la page 55* et *Caractéristiques techniques à la page 59*.
  6. Installez une rondelle neuve, le bouchon de vidange d'huile et serrez le bouchon du réservoir d'huile.

## Inspection du filtre à air



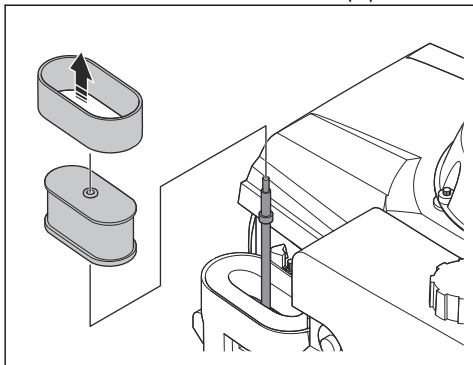
**REMARQUE:** N'utilisez pas de produit sans filtre à air ou avec un filtre à air endommagé.

1. Retirez l'écrou à ailettes du couvercle du filtre à air et retirez le couvercle du filtre à air.

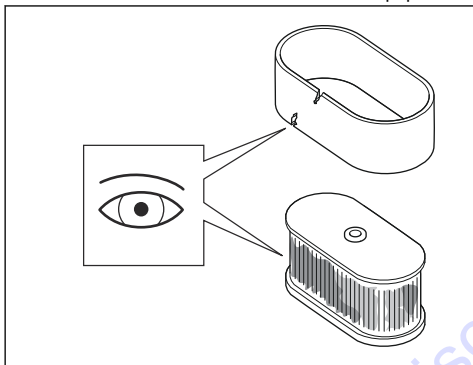


2. Retirez le filtre à air.

3. Retirez le filtre en mousse du filtre en papier.



4. Examinez le filtre en mousse et le filtre en papier.



5. Remplacez les filtres endommagés.
6. Remplacez le filtre à air comme prévu. Reportez-vous à la section *Calendrier de maintenance* à la page 54.
7. Nettoyez le filtre en mousse et le filtre en papier s'ils sont sales. Reportez-vous à la section *Pour nettoyer le filtre à air* à la page 56.
8. Remettez le filtre à air en place en procédant dans l'ordre inverse.

### Pour nettoyer le filtre à air



**AVERTISSEMENT:** utilisez une protection respiratoire homologuée lorsque vous nettoyez ou remplacez le filtre à air. Mettez au rebut les filtres à air usés de manière appropriée. La poussière présente dans le filtre à air est dangereuse pour la santé.



**AVERTISSEMENT:** Ne nettoyez pas le filtre à air à l'air comprimé. Cette action endommage le filtre à air et augmente le risque d'inhalation de poussière dangereuse.

1. Retirez le filtre à air. Reportez-vous à la section *Inspection du filtre à air* à la page 55.
2. Nettoyez le boîtier du filtre à air avec une brosse.
3. Tapotez le filtre à air contre une surface dure ou utilisez un aspirateur pour retirer les particules.



**REMARQUE:** ne laissez pas l'embout de l'aspirateur toucher la surface de l'élément filtrant en papier. Conservez une petite distance de sécurité. La surface fragile de l'élément filtrant en papier est endommagée en cas de contact avec des objets.

4. Vérifiez le filtre à air afin de détecter d'éventuels dommages.
5. Mettez le filtre à air au rebut s'il est endommagé.



**REMARQUE:** remplacez toujours un filtre à air endommagé car de la poussière pourrait pénétrer dans le moteur et l'endommager.

6. Nettoyez le filtre en mousse avec de l'eau et du savon.
7. Rincez le filtre en mousse dans de l'eau propre.
8. Pressez le filtre en mousse pour en faire sortir l'eau et laissez-le sécher.
9. Lubrifiez le filtre en mousse à l'aide d'huile moteur.
10. Appliquez un chiffon propre sur le filtre pour retirer l'excédent d'huile.

**Remarque:** De la fumée s'échappe du moteur s'il y a trop d'huile dans le filtre en mousse au démarrage du moteur.

11. Remettez le couvercle de filtre à air en place. Reportez-vous à la section *Inspection du filtre à air* à la page 55.

### Pour contrôler la brosse

- Assurez-vous que la brosse est intacte et qu'elle est posée correctement sur le sol.

### Pour vérifier la bougie



**AVERTISSEMENT:** Laissez la bougie refroidir avant de la remplacer.



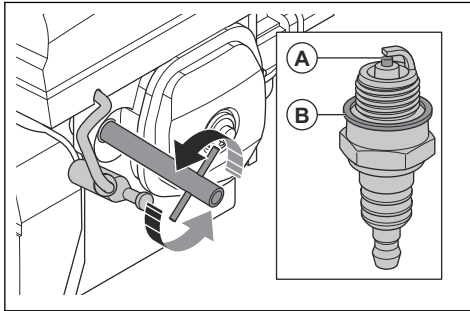
**REMARQUE:** Utilisez toujours une bougie correcte. Reportez-vous à la section *Caractéristiques techniques* à la page 59.



**REMARQUE:** Assurez-vous que la bougie est à la bonne distance et qu'elle est propre.



1. Retirez le chapeau de la bougie et éliminez toute saleté présente dans la zone de la bougie.
2. Retirez la bougie avec une clé à douille pour bougie de 21 mm (13/16").



5. Si nécessaire, pliez soigneusement le côté de l'électrode latérale pour corriger la distance.
6. Installez la bougie avec précaution, à la main.
7. Serrez la bougie avec une clé à douille pour bougie de 21 mm (13/16") pour comprimer la rondelle.
  - a) Si vous installez une bougie neuve, serrez-la d'un demi-tour une fois la bougie bien positionnée sur la rondelle comprimée.
  - b) Si vous installez la même bougie, serrez-la d'un huitième ou d'un quart de tour une fois la bougie bien positionnée sur la rondelle comprimée.



**REMARQUE:** Une bougie desserrée peut devenir trop chaude et endommager le moteur. Si la bougie est trop serrée, cela peut endommager la partie supérieure du cylindre.

3. Vérifiez la bougie. Remplacez-la si elle est endommagée, si l'électrode (A) est usée ou si la rondelle d'étanchéité (B) est en mauvais état.
4. Mesurez l'écartement des électrodes de la bougie à l'aide d'une jauge d'épaisseur. Assurez-vous que la distance est correcte. Reportez-vous à la section *Caractéristiques techniques à la page 59.*

8. Fixez le chapeau de bougie à la bougie.

## Dépannage

### Guide de dépannage

Problème	Cause	Solutions possibles
Le produit ne démarre pas.	Le contrôle de présence de l'utilisateur n'est pas engagé.	Maintenez le contrôle de présence de l'utilisateur contre le guidon lorsque vous tirez la poignée du câble du démarreur.
	Le réservoir de carburant ne contient pas de carburant.	Remplissez le réservoir de carburant. Reportez-vous à la section <i>Pour remplir le réservoir de carburant à la page 52.</i>
	Le réservoir d'huile ne contient pas d'huile.	Remplissez le réservoir d'huile. Reportez-vous à la section <i>Pour contrôler le niveau d'huile à la page 55.</i>
Difficulté à tenir le produit.	Nombre d'outils diamantés insuffisant sur la tête de meulage.	Utilisez le bon nombre d'outils diamantés. Reportez-vous à la section <i>Outils diamantés à la page 50.</i>
	Type d'outils diamantés inadapté à la surface.	
Mouvements brutaux du produit.	Outils diamantés pas correctement installés.	Assurez-vous que tous les outils diamantés sont correctement installés.
	Les outils diamantés ont des hauteurs différentes.	Assurez-vous que les outils diamantés sont tous à la même hauteur.

Problème	Cause	Solutions possibles
Arrêt du produit après un court instant.	Le réglage de la hauteur et du poids n'est pas correct.	Assurez-vous que le réglage de la hauteur et du poids est correct. Reportez-vous à <i>Pour régler la hauteur du cadre à la page 49</i> et <i>Pour régler le guidon à la page 48</i> .
	Tension trop élevée.	Fixez davantage d'outils diamantés ou optez pour un liant plus dur.
	Bouchon du réservoir de carburant incorrect. Reportez-vous à la section <i>2 bouchons du réservoir de carburant différents à la page 53</i> .	Assurez-vous que le bouchon du réservoir de carburant est bien serré lorsque vous utilisez le produit.
Le produit s'arrête à nouveau lorsque vous le démarrez.		Contactez un point de service après-vente agréé.

## Transport et stockage

### Transport du produit

- Fermez le robinet de carburant. Reportez-vous à la section *Pour démarrer le produit à la page 53*.
- Sécurisez le produit lors de son transport pour éviter tout dommage ou accident.
- Placez une protection sur le produit pendant le transport. La protection permet que le produit n'entre pas en contact avec des éléments naturels, comme la pluie et la neige.
- Utilisez l'anneau de levage fixé sur le produit pour le soulever et le déplacer.
- Utilisez uniquement des récipients homologués pour le transport et le stockage de carburant.
- Videz le réservoir de carburant avant de remettre le produit pendant une longue période. Mettez le carburant au rebut dans une déchetterie appropriée.
- Conservez le produit dans un endroit verrouillé afin que des enfants ou personnes qui ne sont pas autorisées à l'utiliser ne puissent pas y avoir accès.
- Conservez le produit dans un endroit sec et à l'abri du gel.

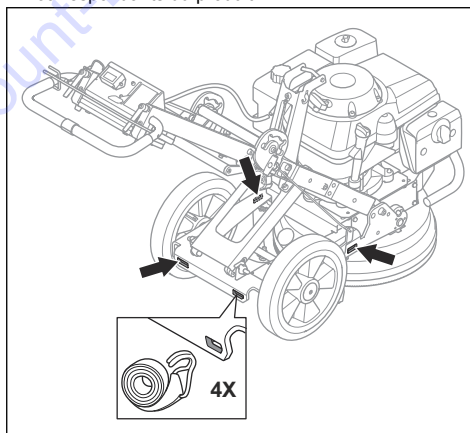
### Pour régler le produit en position de transport

- Pour régler le produit en position de transport, reportez-vous à la section *Pour régler la hauteur du cadre à la page 49*.

### Fixation du produit pour le transport

Fixez le produit lors du transport afin d'éviter tout accident et d'endommager l'équipement.

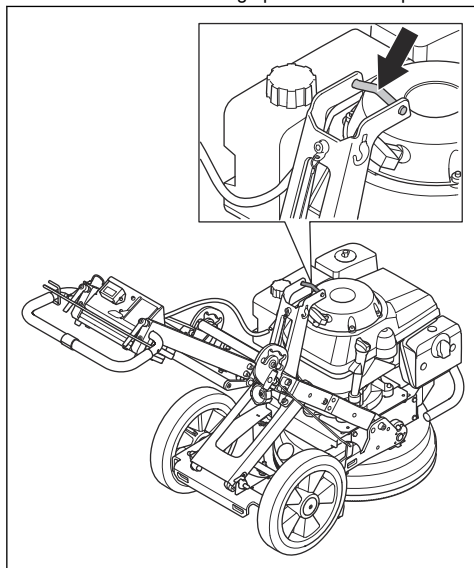
1. Fixez les sangles d'arrimage dans les orifices correspondants du produit.



2. Fixez les sangles d'arrimage sur le véhicule de transport et serrez-les.

## Pour lever le produit

1. Utilisez l'anneau de levage pour soulever le produit.



2. Soulevez le produit de manière sécurisée. Soulevez le produit avec l'aide d'une autre personne.

---

## Caractéristiques techniques

---

### Caractéristiques techniques

<b>Moteur</b>	
Modèle de moteur	HondaGXV 390
Type de moteur	4 temps, soupapes en tête, 1 cylindre
Puissance nominale du moteur, kW/ch à tr/min <sup>14</sup>	7,6/10,2 à 3 600
Vitesse de rotation - disque à meuler, tr/min au ralenti max.	440-1 125
Largeur de meulage, mm/po.	400/15,75
<b>Pression de meulage</b>	
Poignée en position basse, kg/livres	62/137
Poignée en position centrale, kg/livres	64/141
Poignée en position haute, kg/livres	69/152

<sup>14</sup> Chiffre spécifié par le constructeur du moteur. La puissance nominale du moteur indiquée est la puissance nette moyenne (à un régime en tr/min spécifié) d'un moteur de production typique pour le modèle de moteur mesurée selon la norme SAE J1349/ISO1585. Les moteurs produits à grande échelle peuvent s'écarter de cette valeur. La puissance effective du moteur installé sur le produit fini dépend de la vitesse de fonctionnement, des conditions environnementales et d'autres valeurs.

<b>Système d'allumage</b>	
Bougie	BPR5ES (NGK) ou W16EPR-U (DENSO)
Écartement des électrodes, mm/po.	0,7-0,8/0,028-0,031
<b>Système de graissage/de carburant</b>	
Capacité du réservoir de carburant, l	2,1
Type de carburant	Ordinaire sans plomb (10 % d'éthanol maximum)
<b>Poids</b>	
Sans carburant, kg/livres	140/308
Huile recommandée	Huile moteur 4 temps, classification SJ, SL ou équivalent. <sup>15</sup>
<b>Extracteur de poussière recommandé</b>	
Débit d'air min., m <sup>3</sup> /h / CFM	400/236
Dépression min., kPa/psi	322/3,2
Élévation d'eau min., m/po	2,3/90
Fixation pour l'extracteur de poussière, mm/po	50/2
<b>Émissions sonores<sup>16</sup></b>	
Niveau de puissance sonore L <sub>WA</sub> WA (mesuré) dB(A)	102
<b>Niveaux sonores<sup>17</sup></b>	
Niveau de pression acoustique L <sub>PA</sub> dB(A)	88
<b>Niveaux de vibrations<sup>18</sup></b>	
Poignée droite, m/s <sup>2</sup>	4,6
Poignée gauche, m/s <sup>2</sup>	3,8

## Déclaration relative au bruit et aux vibrations

Ces valeurs déclarées ont été obtenues grâce à des essais types effectués en laboratoire conformément à la directive ou aux normes mentionnées. Elles conviennent à l'établissement d'une comparaison avec les valeurs déclarées d'autres produits testés conformément aux mêmes normes ou à la même directive. Ces valeurs ne

sont pas adaptées à une utilisation à des fins d'évaluations des risques ; les valeurs mesurées dans différents lieux de travail peuvent être plus élevées. Les valeurs d'exposition réelles et les risques de blessures rencontrés par chaque utilisateur sont uniques et dépendent de la manière dont l'utilisateur travaille, dans quel matériau le produit est utilisé, mais aussi de la durée d'exposition, de la condition physique de l'utilisateur et de l'état du produit.

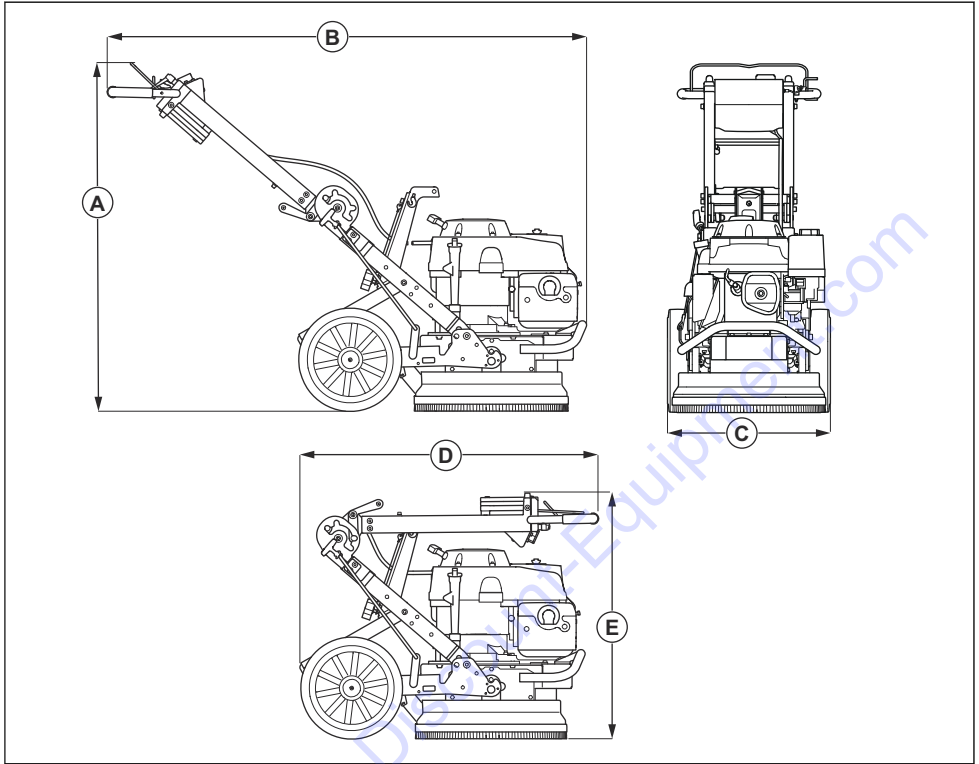
<sup>15</sup> Vérifiez toujours l'étiquette d'entretien API apposée sur le réservoir d'huile pour vous assurer qu'elle comprend les lettres SJ, SL ou équivalent.

<sup>16</sup> Émissions sonores dans l'environnement mesurées en tant que puissance acoustique conformément à la norme EN 60335-2-72. Mesure d'incertitude attendue : 3 dB(A).

<sup>17</sup> Niveau de pression sonore conformément à la norme EN 60335-2-72. Mesure d'incertitude attendue : 3 dB(A).

<sup>18</sup> Niveau de vibrations conformément à la norme EN 60335-2-72. Les données reportées pour le niveau de vibrations montrent une dispersion statistique typique (déviation standard) de 1 m/s<sup>2</sup>.

## Dimensions du produit



Dimensions, mm/po	
A	1 011/39,8
B	1 397/55
C	480/18,9
D	900/35,4
E	710/28,0

---

## Inhoud

---

Inleiding.....	63	Transport en opslag.....	78
Veiligheid.....	65	Technische gegevens.....	79
Werking.....	68	EG verklaring van overeenstemming.....	83
Onderhoud.....	75	.....	0
Probleemoplossing.....	78		

---

## Inleiding

---

### Productbeschrijving

Het product is een slijpmachine met een viertakt benzinemotor. Het product wordt gebruikt voor zware oppervlakteverwijdering en voorbereiding van vloeren. Het product werkt met een externe stofzuiger.

Het product heeft de volgende functies:

- Een slijpbreedte van 400 mm.
- Een slijpkopafdekking die zich aanpast aan de beweging van de oppervlaktelaag.
- Een slijpkop met één schijf.
- Geschikt voor negen diamantgereedschappen.
- Een frame dat kan worden ingeklapt om transport en opslag te vergemakkelijken.

### Gebruik

Het product wordt gebruikt voor lichte commerciële werkzaamheden in privé-eigendommen en kleine commerciële ruimtes.

Gebruik het product alleen op horizontale oppervlakken.

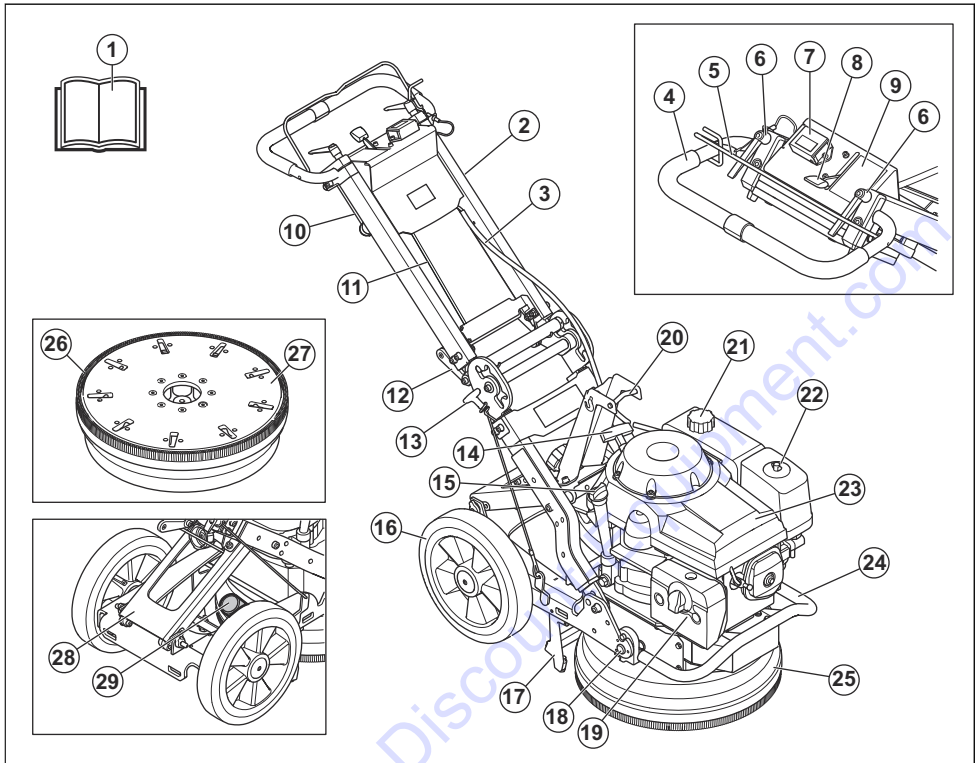
Gebruik het product om betonnen oppervlakken van verschillende hardheid te slijpen zoals terazzovloeren en plavuizen.



**WAARSCHUWING:** Gebruik het product niet voor andere taken.

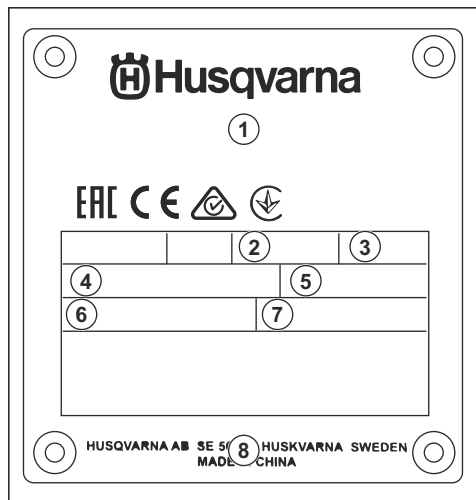
---

## Productoverzicht



- |   |                                  |
|---|----------------------------------|
| 1. Bedieningshandleiding  | 21. Brandstoftankdop             |
| 2. Hendel   | 22. Luchtfilter                  |
| 3. Kabel voor dodemanshandgreep.                                    | 23. Motor                        |
| 4. Stuur  | 24. Beschermkap motor            |
| 5. Dodemanshandreep   | 25. Slijpkopafdekking            |
| 6. Vergrendelknoppen voor stuurinstelling                           | 26. Borstelstrook                |
| 7. Urenteller   | 27. Schijfplaat                  |
| 8. Gashendel  | 28. Steunframe                   |
| 9. Sticker gashendel  | 29. Aansluiting voor vacuümslang |
| 10. Contragewichten   |                                  |
| 11. Gaskabel  |                                  |
| 12. Scharnierende hendel  |                                  |
| 13. Hendel opstartsteun   |                                  |
| 14. Startkoordhendel  |                                  |
| 15. Olietankdop   |                                  |
| 16. Rubberen wiel   |                                  |
| 17. Opstartsteun  |                                  |
| 18. Borgbout om de motor en de slijpkop aan het frame te bevestigen |                                  |
| 19. Geluiddemper  |                                  |
| 20. Hijssoog  |                                  |

## Typeplaatje



1. Model

2. Vermogensoutput, kW
3. Maximaal toerental, tpm
4. Slijpgebied, mm
5. Gewicht, kg
6. Productiejaar en serienummer
7. Productienummer
8. Adres fabrikant

## Productaansprakelijkheid

Zoals uiteengezet in de wet voor productaansprakelijkheid zijn wij niet aansprakelijk voor schade die door ons product wordt veroorzaakt, indien:

- het product niet goed is gerepareerd.
- het product is gerepareerd met onderdelen die niet van de fabrikant afkomstig zijn, of onderdelen die niet zijn goedgekeurd door de fabrikant.
- het product een accessoire bevat dat niet afkomstig is van de fabrikant of niet is goedgekeurd door de fabrikant.
- het product niet is gerepareerd door een erkend servicepunt of door een erkende autoriteit.

## Veiligheid

### Veiligheidsdefinities

Waarschuwingen, voorzorgsmaatregelen en opmerkingen worden gebruikt om te wijzen op belangrijke delen van de handleiding.



**WAARSCHUWING:** Wordt gebruikt om te wijzen op de kans op ernstig of fataal letsel voor de gebruiker of omstanders wanneer de instructies in de handleiding niet worden gevolgd.



**OPGELET:** Wordt gebruikt indien er een risico bestaat op schade aan het product en andere eigendommen of aan de omgeving wanneer de instructies in de handleiding niet worden gevolgd.

**Let op:** Geven verdere informatie die nodig is in een bepaalde situatie.

### Algemene veiligheidsinstructies



**WAARSCHUWING:** Lees de volgende waarschuwingen voordat u het product gaat gebruiken.

- Dit product kan bij onvoorzichtig of onjuist gebruik een gevaarlijk gereedschap zijn. Dit product kan ernstig of fataal letsel toebrengen aan de gebruiker of anderen. Het is erg belangrijk dat u deze

gebruiksaanwijzing leest en begrijpt voordat u dit product gaat gebruiken.

- Bewaar alle waarschuwingen en instructies.
- U dient alle toepasselijke wet- en regelgeving in acht te nemen.
- De gebruiker en de werkgever van de gebruiker dienen op te hoogte te zijn van de risico's tijdens het gebruik van het product en moeten deze voorkomen.
- Zorg ervoor dat dit product alleen wordt gebruikt door personen die de inhoud van de gebruikershandleiding hebben gelezen en begrepen.
- Gebruik het product alleen als u voorafgaand aan gebruik training hebt ontvangen. Zorg ervoor dat alle gebruikers getraind worden.
- Laat het product niet door een kind bedienen.
- Het product mag alleen worden gebruikt door goedgekeurde personen.
- De gebruiker is verantwoordelijk indien ongelukken gebeuren met andere mensen of hun eigendommen.
- Gebruik het product nooit als u moe of ziek bent, of onder invloed van alcohol, drugs of medicijnen verkeert.
- Wees altijd voorzichtig en gebruik uw gezond verstand.
- Dit product produceert tijdens bedrijf een elektromagnetisch veld. Dit veld kan onder bepaalde omstandigheden de werking van actieve of passieve medische implantaten verstoren. Om het risico op ernstig of fataal letsel te verminderen, raden we personen met een medisch implantaat aan om contact op te nemen met hun arts en de fabrikant



van het medische implantaat voordat ze dit product gebruiken.

- Houd het product schoon. Zorg ervoor dat u de aanduidingen en stickers duidelijk kunt lezen.
- Gebruik het product niet als het defect is.
- Breng geen wijzigingen aan dit product aan.
- Gebruik het product niet als de mogelijkheid bestaat dat andere personen wijzigingen aan het product hebben aangebracht.

## Veiligheidsinstructies voor bediening



**WAARSCHUWING:** Lees de volgende waarschuwingen voordat u het product gaat gebruiken.

- Maak altijd gebruik van persoonlijke beschermingsmiddelen. Zie *Persoonlijke beschermingsuitrusting op pagina 66*.
- Overmatige blootstelling aan trillingen kan bloedvaten zenuwbeschadigingen veroorzaken bij personen met een verminderde bloedcirculatie. Consulteer een arts wanneer u symptomen heeft die wijzen op te grote blootstelling aan trillingen. Dergelijke symptomen zijn slapende vingers e.d., geen gevoel, "kriebelend" gevoel, "speldenprikken", pijn, geen of weinig kracht, huidverkleuringen of veranderingen van het oppervlak. Deze symptomen worden meestal waargenomen in de vingers, handen of polsen.
- Voordat u het product achterlaat, moet u de motor stoppen en controleren of er geen risico bestaat dat de motor per ongeluk wordt gestart.
- Start het product alleen als de borstelstrook is bevestigd. De borstelstrook moet stevig tegen het oppervlak aan drukken, vooral tijdens werkzaamheden op droge oppervlakken.
- Zorg ervoor dat de borstelstrook schoon en niet beschadigd is. Vervang een beschadigde borstelstrook.
- Zorg er bij droog slijpen voor dat u het product aansluit op een stofzuiger om het stof te verwijderen.
- Houd de stofzuiger ingeschakeld tot de motor volledig stopt.
- Zorg ervoor dat de slijpkop het oppervlak niet raakt wanneer u het product start.
- Zorg ervoor dat er alleen goedgekeurde personen in het werkgebied zijn.
- Gebruik het product niet in gebieden waar brand of explosies kunnen optreden.
- Demonteer de diamantgereedschappen na alle werkzaamheden.
- Laat u het product afkoelen en gebruik veiligheidshandschoenen bij het verwijderen van diamantgereedschappen. Diamantgereedschappen kunnen na gebruik zeer heet zijn.
- Controleer of het product correct is gemonteerd.
- Gebruik altijd het hijsorgaan van het product om het product te hijsen.

- Bedien het product alleen van achteren, met beide handen op de hendel.
- Gebruik het product alleen op horizontale oppervlakken.
- Wees zeer voorzichtig wanneer u het product een hellingbaan op en af laat gaan. Het product is zwaar en er bestaat gevaar voor letsel als het product te valt of te snel beweegt. Gebruik altijd een lier voor hellingbanen met een grote hoek. Loop of sta niet onder het product.
- Houd tijdens bedrijf de twee wielen altijd op de grond.
- Zorg ervoor dat u weet hoe u de motor in een noodsituatie snel kunt stoppen.
- Zorg ervoor dat er geen kleding, lang haar en sieraden vast komen te zitten in bewegende delen
- Zorg ervoor dat u stabiel en veilig staat tijdens het gebruik.
- In situaties waar plotseling personen en dieren kunnen verschijnen, is veilig gebruik van het product niet mogelijk. Laat het product altijd zorgvuldig werken en sta klaar om het product te stoppen als dat nodig is.
- Gebruik het product alleen als u weet dat u hulp kunt krijgen indien zich een ongeval voordoet
- Gebruik altijd goedgekeurde accessoires. Neem voor meer informatie contact op met uw Husqvarna-dealer.

## Persoonlijke beschermingsuitrusting



**WAARSCHUWING:** Lees de volgende waarschuwingen voordat u het product gaat gebruiken.

- Gebruik altijd de juiste persoonlijke beschermingsmiddelen wanneer u het product gebruikt. De persoonlijke beschermingsmiddelen nemen het risico op letsel niet weg. De persoonlijke beschermingsmiddelen verlagen de ernst van het letsel indien zich een ongeval voordoet. Vraag uw dealer u te helpen bij het kiezen van de juiste beschermingsmiddelen.
- Gebruik goedgekeurde oogbescherming wanneer u het product gebruikt.
- Gebruik geen losse, zware en ongeschikte kleding. Draag kleren waarin u zich vrij kunt bewegen.
- Draag goedgekeurde veiligheidshandschoenen voor een stevige greep.
- Draag een goedgekeurde veiligheidshelm.
- Gebruik altijd goedgekeurde gehoorbescherming wanneer u het product gebruikt. Langdurig lawaai kan gehoorverlies veroorzaken.
- Het product veroorzaakt stof en dampen die gevaarlijke chemicaliën bevatten. Gebruik goedgekeurde ademhalingsbescherming.
- Gebruik laarzen met een stalen neus en antislipzool.
- Zorg ervoor dat u een EHBO-kit bij de hand hebt.

- Er kunnen vonken optreden bij de bediening van de machine. Zorg ervoor dat u een brandblusapparaat bij de hand hebt.

## Veiligheidsaanwijzingen in verband met uitlaatgassen



**WAARSCHUWING:** Lees de volgende waarschuwingen voordat u het product gaat gebruiken.

- Uitlaatgassen van de motor bevatten koolmonoxide, een geurloos, giftig en uiterst gevaarlijk gas. Het inademen van koolmonoxide kan de dood tot gevolg hebben. Omdat koolmonoxide geurloos en niet zichtbaar is, is het niet mogelijk om het waar te nemen. Een symptoom van koolmonoxidevergiftiging is duizeligheid, maar het is mogelijk dat een persoon onverwacht bewusteloos raakt als de hoeveelheid of concentratie koolmonoxide voldoende is.
- Uitlaatgassen bevatten ook onverbrande koolwaterstoffen, waaronder benzeen. Langdurig inademen hiervan kan gezondheidsproblemen veroorzaken.
- Uitlaatgassen die u kunt zien of ruiken, bevatten ook koolmonoxide.
- Gebruik een product met verbrandingsmotor niet binnen of in ruimten met onvoldoende luchtstroom.
- Adem geen uitlaatgassen in.
- Zorg ervoor dat er toereikende ventilatie in het werkgebied is. Dit is zeer belangrijk wanneer u het product gebruikt in greppels of andere kleine werkgebieden waar uitlaatgassen zich gemakkelijk kunnen verzamelen.

## Geluidsveiligheid



**WAARSCHUWING:** Lees de volgende waarschuwingen voordat u het product gaat gebruiken.

- Hoge geluidsniveaus en langdurige blootstelling aan lawaai kunnen gehoorverlies veroorzaken.
- Om het geluidsniveau tot een minimum te beperken, moet u het product onderhouden en bedienen zoals beschreven in de gebruikershandleiding.
- Gebruik goedgekeurde gehoorbescherming wanneer u het product gebruikt.
- Let op alarmsignalen en luide stemmen wanneer u gehoorbescherming gebruikt. Verwijder de gehoorbescherming wanneer het product is gestopt, tenzij gehoorbescherming nodig is voor het geluidsniveau in de werkomgeving.

## Veiligheidsvoorzieningen op het product



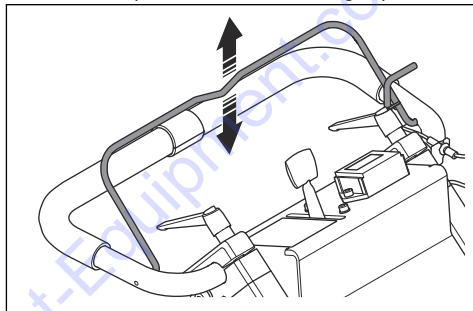
**WAARSCHUWING:** Lees de volgende waarschuwingen voordat u het product gaat gebruiken.

- Gebruik het product nooit wanneer de veiligheidsvoorzieningen defect zijn.
- Controleer de veiligheidsvoorzieningen regelmatig op een juiste werking. Als de veiligheidsvoorzieningen defect zijn, neem dan contact op met uw Husqvarna servicewerkplaats.

### De dodemanshandgreep controleren

De dodemanshandgreep stopt de motor. Wanneer u de dodemanshandgreep loslaat, stopt de motor.

- Start de motor en laat vervolgens de dodemanshandgreep los. Als de motor niet binnen 3 seconden stopt, laat dan een erkende Husqvarna-servicewerkplaats de dodemanshandgreep afstellen.



### Geluiddemper

De uitlaatdemper is bedoeld om het geluidsniveau zo laag mogelijk te houden en om de uitlaatgassen weg te voeren van de gebruiker.

Gebruik het product niet als de demper ontbreekt of beschadigd is. Bij een defecte uitlaatdemper stijgt het geluidsniveau en neemt het risico op brand toe.



**WAARSCHUWING:** De uitlaatdemper wordt erg heet tijdens en na gebruik en wanneer de motor draait bij stationair toerental. Wees voorzichtig in de buurt van brandbare materialen en/of dampen om brand te voorkomen.

### Geluiddemper controleren

- Inspecteer de uitlaatdemper regelmatig om te verifiëren of die goed vastzit en niet beschadigd is.

### Brandstofveiligheid



**WAARSCHUWING:** Lees de volgende waarschuwingen voordat u het product gaat gebruiken.

- Brandstof is brandbaar en de dampen zijn explosief. Wees voorzichtig met brandstof om letsel, brand en explosies te voorkomen.

- Adem geen brandstofdampen in. De brandstofdampen zijn giftig en kunnen letsel veroorzaken. Zorg voor voldoende ventilatie.
- Verwijder de brandstoftankdop niet en vul de tank niet bij wanneer de motor draait.
- Laat de motor afkoelen voordat u brandstof bijvult.
- Vul binnenshuis geen brandstof bij. Onvoldoende ventilatie kan leiden tot ernstig letsel of de dood door verstikking of het inademen van koolmonoxide.
- Rook niet in de buurt van de brandstof of de motor.
- Plaats geen warme voorwerpen in de buurt van de brandstof of de motor.
- Vul geen brandstof bij in de nabijheid van vonken of open vuur.
- Draai de tankdop langzaam open en laat de druk voorzichtig ontsnappen voordat u brandstof bijvult.
- Brandstof op uw huid kan letsel veroorzaken. Als er brandstof op uw huid terecht komt, verwijder deze dan met water en zeep.
- Als u brandstof op uw kleding morst, trek dan direct andere kleding aan.
- Vul de brandstoftank niet volledig. Door hitte zet de brandstof uit. Zorg ervoor dat er ruimte overblijft aan de bovenkant van de brandstoftank.
- Draai de tankdop volledig aan. Als de tankdop niet volledig is aangedraaid, bestaat een risico op brand.
- Gebruik de brandstoftankdop met ontluchting voor gebruik en opslag.
- Voordat u het product start, moet u het product verplaatsen naar een afstand van minimaal 3 m vanaf het punt waar u hebt getankt.
- Start het product niet als er brandstof of motorolie op het product aanwezig is. Verwijder de ongewenste brandstof en motorolie en laat het product drogen voordat u de motor start.
- Controleer de motor regelmatig op lekkage. Bij lekkage in het brandstofsysteem mag u de motor niet starten zolang de lekken niet gerepareerd zijn.

- Gebruik uw vingers niet om de motor op lekkage te controleren.
- Bewaar brandstof in goedgekeurde containers.
- Wanneer het product en de brandstof worden opgeslagen, moet u ervoor zorgen dat brandstof en brandstofdampen geen schade kunnen veroorzaken.
- Tap brandstof af in een daarvoor goedgekeurde container, en doe dat buiten en niet in de nabijheid van vonken en open vuur.

## Veiligheidsinstructies voor onderhoud

- Zet de gashendel altijd in de stopstand (A) voordat u onderhoud aan het product uitvoert. Zie *Gashendel op pagina 73*.
- Zorg ervoor dat alle onderdelen in een goede staat blijven en controleer of alle fittingen goed vastzitten.
- Gebruik geen product dat defect is. Voer de in deze handleiding beschreven veiligheidscontroles en onderhouds- en servicetaken uit. Alle overige onderhoudswerkzaamheden moeten worden uitgevoerd door een erkende servicewerkplaats.
- Stop het product wanneer u de diamantgereedschappen vervangt.
- Voer de inspectie en/of het onderhoud uit terwijl de motor is uitgeschakeld.
- Laat de motor altijd afkoelen voordat u onderhoudswerkzaamheden aan het product uitvoert.
- Zorg ervoor dat u onderhoudswerkzaamheden aan het product uitvoert op een stabiele, horizontale ondergrond.
- Controleer het product regelmatig om een goede werking te waarborgen. Zie *Onderhoud op pagina 75*.

---

## Werking

---

### Inleiding



**WAARSCHUWING:** Voordat u het product gaat gebruiken, dient u het hoofdstuk over veiligheid te lezen en hebben begrepen.

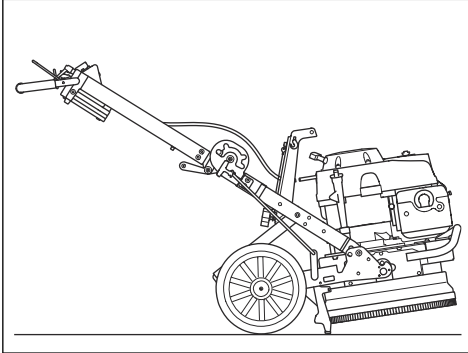


**WAARSCHUWING:** Wees voorzichtig bij het afstellen van het stuur tussen de werkstand, de onderhoudsstand en de transportstand. De hendel is zwaar en moet stevig worden vastgehouden. Kijk om u heen voordat u de stand van de hendel aanpast, om schade of letsel te voorkomen.

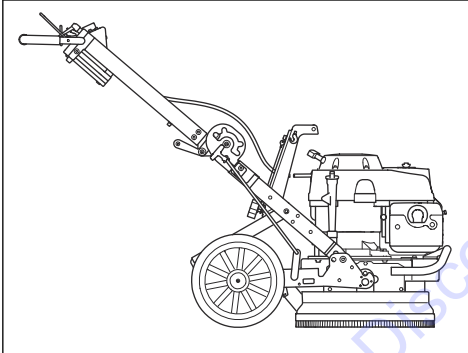
---

## Productstanden

### Motorstartstand



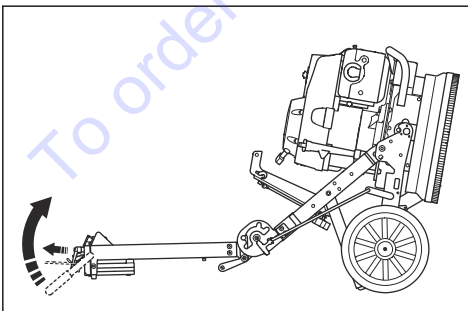
### Werkstand



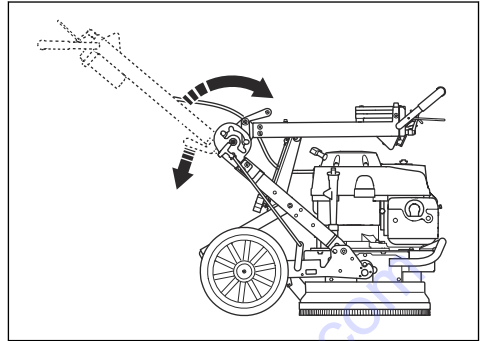
### Onderhoudsstand



**OPGELET:** Zet het product alleen op een horizontaal oppervlak in de onderhoudsstand.



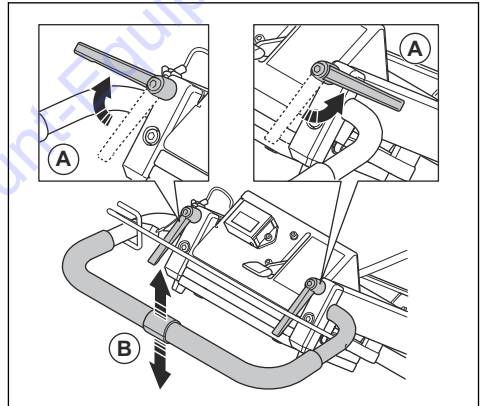
### Transportstand



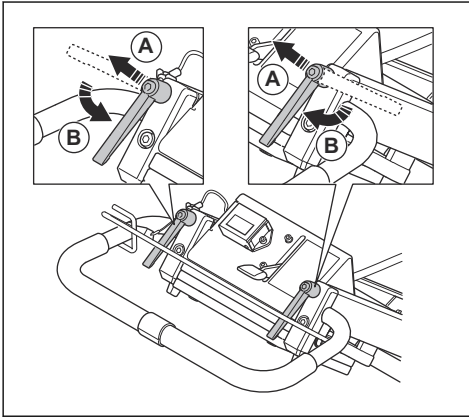
### Het stuur verstellen

De vergrendelknoppen van het stuur worden rechtsom of linksom gedraaid of worden in de ruststand geplaatst.

1. Draai de vergrendelknoppen (A) los en zet het stuur (B) in de ruststand.



2. Wanneer het stuur is ingesteld, trekt u de vergrendelknoppen van de hendel omhoog (A) en zet u deze in de ruststand (B).



### Hendelhoogtes

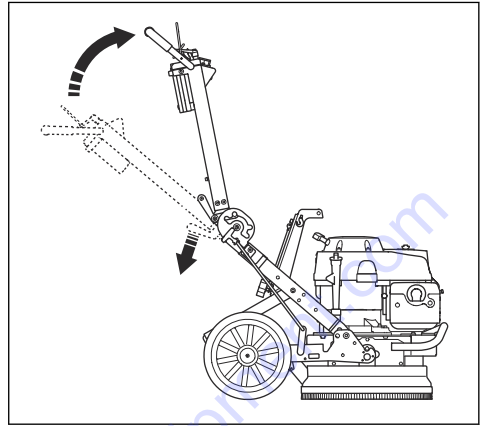
Positie van opening	Hendelhoogte, mm/inch
Top	835/33
Midden	925/36
Onder	1000/39

### De framehoogte aanpassen

De hoek van het frame kan worden veranderd om het gewicht van het chassis te verdelen. Hierdoor wordt de slijpdruk tegen het oppervlak verkleind of vergroot.

1. Stop de motor. Zie *Product stoppen op pagina 75*.

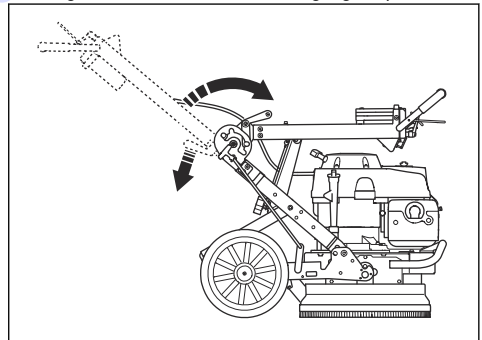
2. Plaats één voet op het steunframe. Duw met uw handen de scharnierende hendel op het centrale scharnier. Klap tegelijkertijd de hendel naar voren naar de transportstand.



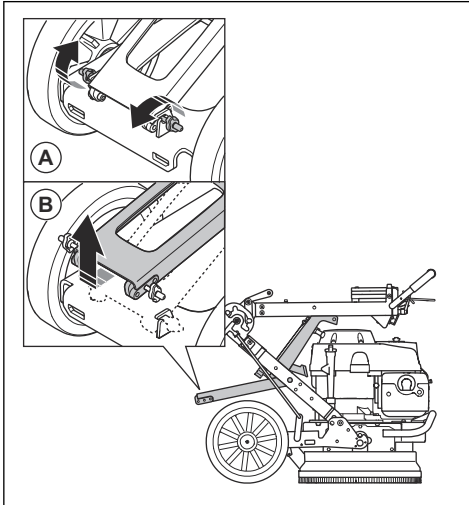
**WAARSCHUWING:** Gebruik twee handen en één voet wanneer u de hendel inklappt.

**Let op:** Plaats beschermingsmateriaal tussen de motor en de elektrische behuizing om beschadiging van het product te voorkomen.

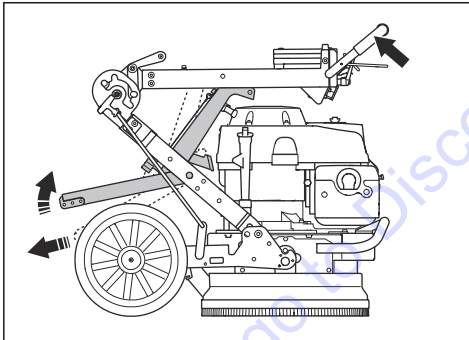
3. Zorg ervoor dat de hendel volledig ingeklapt is.



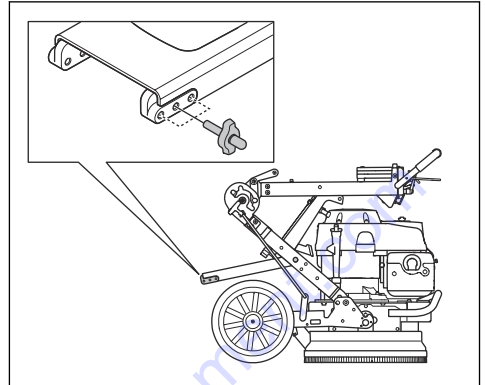
4. Verwijder de vergrendelknoppen (A) om het steunframe (B) los te maken.



5. Houd het stuur vast om de hendel stabiel te houden en til het steunframe naar buiten en omhoog.



6. Selecteer de gewenste stand voor het steunframe en draai de vergrendelknop vast. Met het onderste gat worden de slijddruk en de hoogte van het stuur vergroot. Met de bovenste opening worden de slijddruk en de hoogte van het stuur verlaagd.



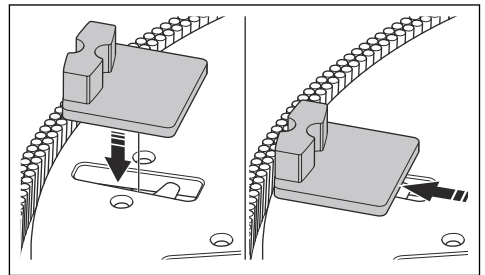
7. Plaats het product in de werkstand.

## Diamantgereedschappen

Er zijn vele soorten diamantschijven voor het product. Neem contact Discount-equipment om de juiste diamantschijf te selecteren.

## Montage van de diamantgereedschappen

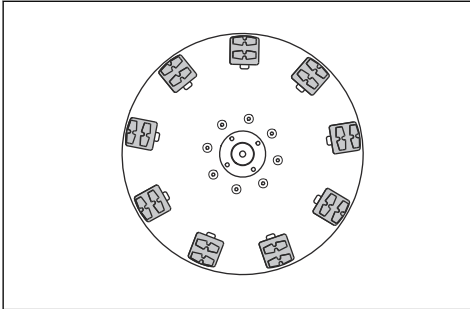
De schijfplaat gebruikt het RediLock™ Dovetail-systeem.



De montage van de diamantgereedschappen op de schijfplaat heeft gevolgen voor de prestaties van het product. Het type diamantgereedschap en het aantal segmenten op het diamantgereedschap zijn belangrijk. Gebruik altijd symmetrische diamantgereedschapsets

om ervoor te zorgen dat de balans van de slijkop correct is.

Metaalgebonden diamantgereedschappen met één diamantsegment verhogen de druk van het diamantgereedschap.



Voor de zwaarste verwijdering raden wij gereedschappen aan die slechts één rotatierichting en PCD-diamantbladen hebben.

**Let op:** PCD-diamantgereedschappen, bijvoorbeeld van het merk Piranha™, zijn zo gemaakt dat deze slechts in één richting werken.

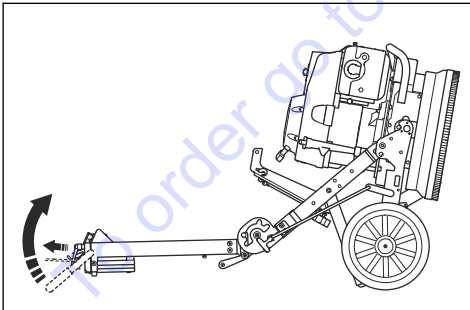
## De diamantgereedschappen vervangen



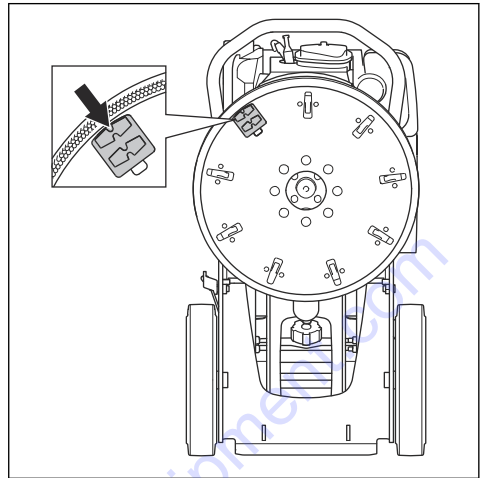
### WAARSCHUWING:

Diamantgereedschappen kunnen erg heet worden. Draag veiligheidshandschoenen.

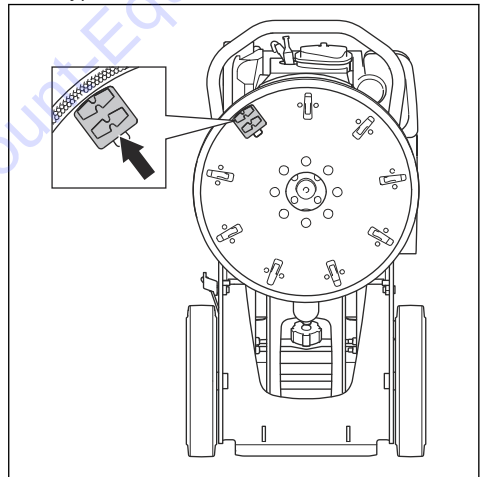
1. Controleer of de motor is uitgeschakeld en de dodemanshandgreep niet tegen het stuur rust.
2. Zet het product in de onderhoudsstand.



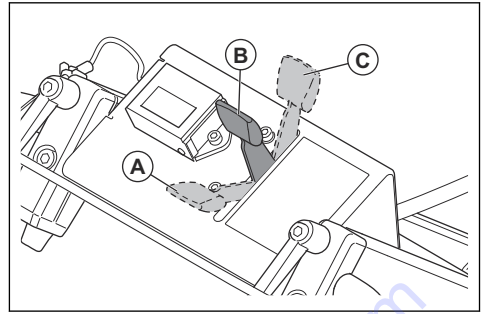
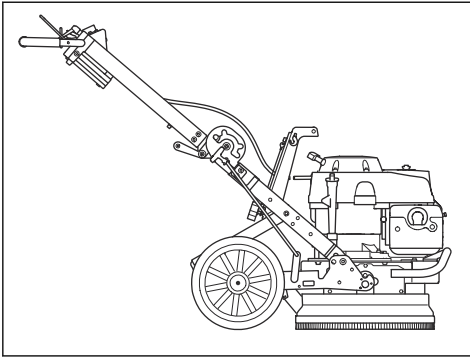
3. Gebruik een hamer om de diamantgereedschappen te verwijderen.



4. Bevestig de nieuwe diamantgereedschappen op de schijfplaat.



5. Zet het product in de werkstand.

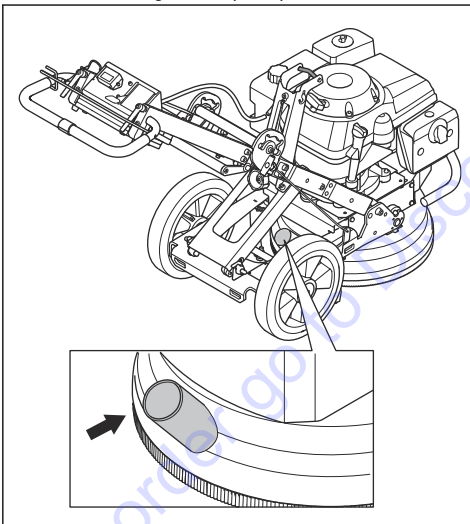


**WAARSCHUWING:** Zet de gashendel altijd in de stopstand (A) wanneer u het product stopt, om onbedoeld starten te voorkomen.

## Stofzuiger aansluiten

Gebruik bij droog slijpen een Husqvarna-stofzuigersysteem. Zie *Technische gegevens op pagina 79*. Aanbevolen stofzuigers zijn Husqvarna T 4000 Petrol of S 36.

1. Sluit de stofzuiger aan op het product.



2. Controleer of de filters in de stofzuiger schoon en onbeschadigd zijn. Controleer op stof tijdens het gebruik.

## Gashendel

De gashendel heeft drie beschikbare standen:

- Stopstand (A).
- Werkstand (A).
- Startstand/chokestand (C).

## De bedieningsrichting controleren

Tijdens gebruik kan het product naar de zijkant trekken. De trekrichting is afhankelijk van de rotatierichting van de slijpkop en de werking van het product.

- Houd de twee wielen altijd op de grond wanneer u het product gebruikt.
- Oefen zijwaartse krachten uit op de hendel om het product te sturen.
- Houd de hendel altijd stevig met twee handen vast om stabiel te blijven en ervoor te zorgen dat het product niet zijwaarts beweegt.

## Brandstof bijvullen

Gebruik emissiearme of alkylaatzbenzine, indien beschikbaar. Als er geen emissiearme of alkylaatzbenzine beschikbaar is, gebruik dan een loodvrije benzine van goede kwaliteit, of loodhoudende benzine met een octaangetal dat niet lager is dan 90.



**OPGELET:** Gebruik geen benzine met een octaangetal lager dan 90 RON (87 AKI). Dit kan schade aan het product veroorzaken.

1. Draai de brandstoftankdop langzaam los om de druk te laten ontsnappen.
2. Vul langzaam met een benzinejerrycan. Als u brandstof morst, verwijder deze dan met een doek en laat de resterende brandstof opdrogen.
3. Maak het gebied rondom de brandstoftankdop goed schoon.
4. Draai de tankdop volledig aan. Als de tankdop niet volledig is aangedraaid, bestaat een risico op brand.
5. Verplaats het product minstens 3 m (10 ft) van de plaats waar u de brandstoftank hebt gevuld, voordat u het product start.

## Twee verschillende brandstoftankdoppen

Het product wordt geleverd met twee verschillende brandstoftankdoppen.

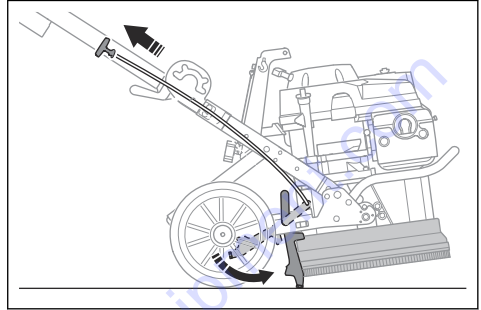


- De brandstoftankdop voor gebruik is bevestigd aan de brandstoftank. Deze brandstoftankdop heeft ventilatie en laat de motor draaien.
- De brandstoftankdop voor onderhoud is een volledig afgedichte tankdop. Deze brandstoftankdop mag alleen tijdens onderhoud worden gebruikt, om lekkage van brandstof te voorkomen.

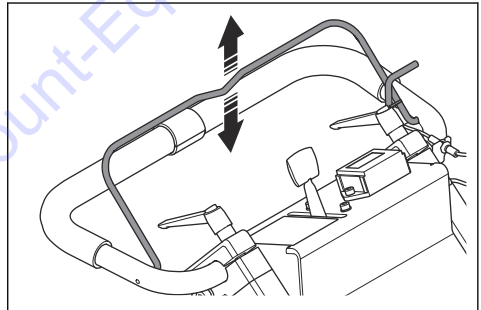
**Let op:** De motor stopt als de brandstoftankdop voor onderhoud wordt gebruikt bij normaal gebruik van het product. Bij een volledig afgedichte tankdop wordt er geen brandstof uit de motor aangezogen.

**Let op:** Met het product wordt een alternatief plaatje voor de afgedichte tankdop meegeleverd.

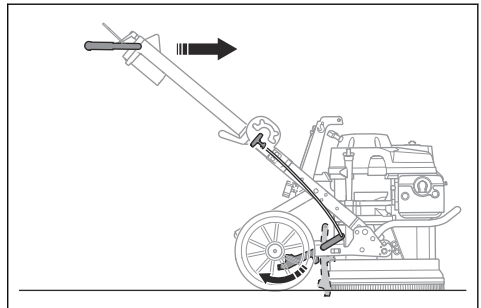
2. Zet de gashendel in de juiste stand. Zie *Gashendel op pagina 73*.
  - a) Als u met een koude motor start, zet u de gashendel in de startstand.
  - b) Als u met een warme motor start, zet u de gashendel in de werkstand.
3. Kantel de slijpkop en trek aan de hendel van de opstartsteun om de diamantgereedschappen vanaf het oppervlak omhoog te brengen.



4. Houd de dodemanshandgreep met uw linkerhand tegen het stuur.



5. Trek aan de startkoordhendel met uw rechterhand.
6. Als de motor soepel draait, zet u de gashendel in de werkstand.
7. Beweeg het product naar voren om de opstartsteun los te zetten en de diamantgereedschappen te laten zakken.

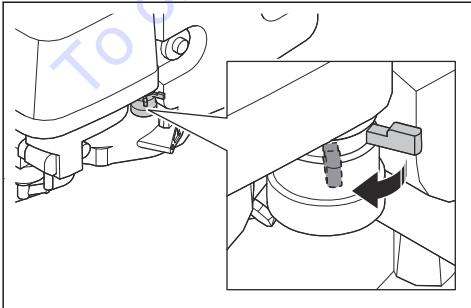


## Voordat u het product gebruikt

1. Lees de gebruikershandleiding zorgvuldig door en zorg dat u de instructies hebt begrepen.
2. Maak altijd gebruik van persoonlijke beschermingsmiddelen. Zie *Persoonlijke beschermingsuitrusting op pagina 66*.
3. Voer dagelijks onderhoud uit. Zie *Onderhoudsschema op pagina 75*.
4. Controleer of het product goed gemonteerd en niet beschadigd is.
5. Plaats de slijpmachine op het werkgebied. Controleer of het oppervlak horizontaal is.
6. Zorg ervoor dat er diamantgereedschappen op de slijpkop zitten en dat deze goed zijn bevestigd.
7. Sluit de stofzuiger aan op het product. Zie *Stofzuiger aansluiten op pagina 73*.
8. Stel het stuur zo af dat de gewenste werkhoogte wordt bereikt. Zie *Het stuur verstellen op pagina 69*.
9. Vul de brandstoftank. Zie *Brandstof bijvullen op pagina 73*.
10. Breng de brandstoftankdop met ontluchting aan.
11. Controleer het oliepeil. Zie *Oliepeil controleren op pagina 75*.

## Product starten

1. Open de brandstofklep.



## Product stoppen



**OPGELET:** Breng de schijfplaat pas vanaf het oppervlak omhoog als de motor volledig stilstaat. Stof kan opstuiven en het oppervlak kan beschadigd raken.

1. Laat de dodemanshandgreep los.
2. Houd de schijfplaat tegen het oppervlak totdat deze volledig tot stilstand is gekomen.
3. Zet de gashendel in de stopstand.
4. Sluit de brandstofklep.

## Onderhoud

### Inleiding



**WAARSCHUWING:** Voordat u onderhoud gaat uitvoeren, dient u het hoofdstuk over veiligheid te lezen en hebben begrepen.

Voor alle onderhouds- en reparatiewerkzaamheden aan het product is speciale training nodig. Wij garanderen de beschikbaarheid van professionele reparaties en

onderhoud. Indien uw dealer geen servicewerkplaats heeft, vraag hem dan naar de dichtstbijzijnde servicewerkplaats.

### Onderhoudsschema

De onderhoudsintervallen worden berekend op basis van het dagelijks gebruik van het product. De intervallen veranderen als het product niet dagelijks wordt gebruikt.

Onderhoud	Elk gebruik	Eerste maand of na 20 uur	Om de 3 maanden of 50 uur	Om de 6 maanden of 100 uur	Elk jaar of om de 300 uur
Reinig het product.	X				
Controleer de borstelstrook.	X				
Controleer het oliepeil.	X				
Ververs de olie.		X		X	
Controleer het luchtfilter.	X				
Maak het luchtfilter schoon.			X <sup>19</sup>		
Vervang het luchtfilter.					X
Controleer de bougie.				X	
Vervang de bougie.					X

### Product reinigen

- Reinig na gebruik altijd alle apparatuur.
- Reinig het product niet met een hogedrukpuit.
- Houd de luchtopeningen schoon en vrij om ervoor te zorgen dat het product altijd een voldoende koele temperatuur heeft.

2. Zet het product op een vlakke ondergrond.
3. Verwijder de olietankdop.
4. Verwijder de olie van de peilstok die aan de olietankdop is bevestigd.
5. Plaats de peilstok in de olietank. Zet niet vast.

**Let op:** Gebruik geen perslucht om onder de slijpkop te reinigen.

### Oliepeil controleren

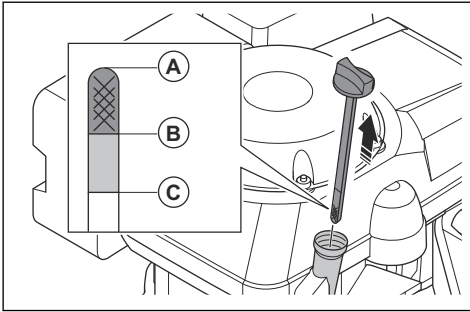


**OPGELET:** Gebruik van het product met een laag oliepeil kan schade aan de motor veroorzaken.

1. Stop de motor. Zie *Product stoppen op pagina 75*.

<sup>19</sup> Reinig het product vaker als het product in vuile gebieden wordt gebruikt.

6. Trek de peilstok eruit en lees het oliepeil af.



- Als het oliepeil laag is (A), vult u bij met motorolie en controleert u het oliepeil opnieuw. Zie *Technische gegevens op pagina 79* voor het juiste olietype.
- Als het oliepeil hoog (C) is, mag u niet meer motorolie bijvullen. Het oliepeil moet tussen (A) en (B) liggen.

7. Draai de olietankdop goed vast voordat u de motor start.

**Let op:** Het product heeft een systeem dat aangeeft wanneer het oliepeil te laag is. Als de zoemer klinkt, stopt u het product en vult u olie bij.

### Motorolie verversen

Als de motor koud is, moet u de motor starten en 1-2 minuten laten draaien voordat u de motorolie aftapt. Hierdoor wordt de motorolie warm en is deze gemakkelijker af te tappen.



**WAARSCHUWING:** Motorolie is nog erg heet direct nadat de motor stopt. Laat de motor afkoelen voordat u de motorolie aftapt. Als u motorolie morst op uw huid, was die dan af met water en zeep.

- Zet het product op een vlakke ondergrond.
- Plaats een opvangbak onder de olieaftapplug.
- Verwijder de olietankdop, de olieaftapplug en de ring.

**Let op:** Dank de ring af.

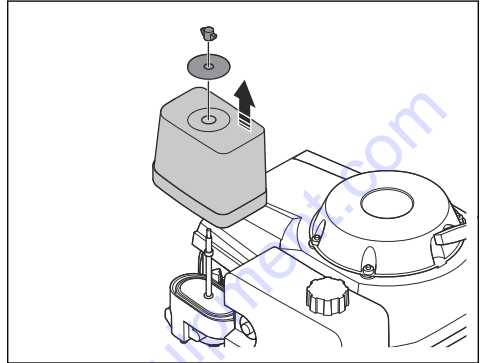
- Kantel het product en laat de olie in de opvangbak lopen.
- Zet de motor in de horizontale stand en vul de olietank met de aanbevolen olie. Zie *Oliepeil controleren op pagina 75* en *Technische gegevens op pagina 79*.
- Plaats een nieuwe ring, en de olieaftapplug en draai de olietankdop vast.

### Het luchtfilter inspecteren

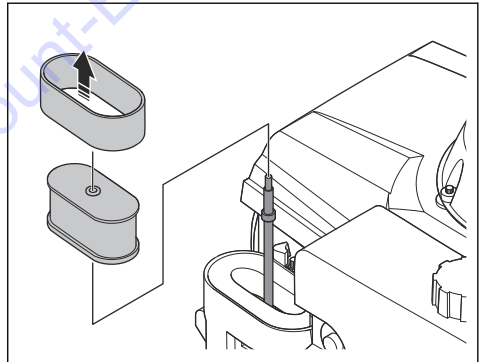


**OPGELET:** Gebruik het product niet zonder luchtfilter of met een beschadigd luchtfilter.

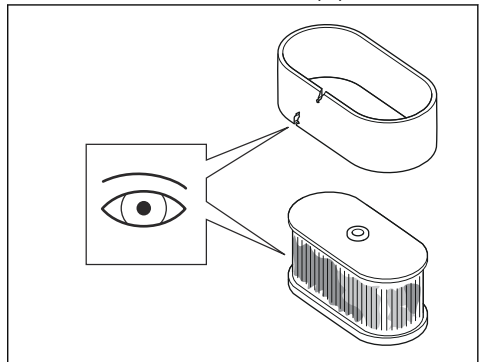
- Maak de vleugelmoer los van het luchtfilterdeksel en verwijder het luchtfilterdeksel.



- Verwijder het luchtfilter.
- Verwijder het schuimfilter uit het papierfilter.



- Controleer het schuimfilter en het papierfilter.



5. Vervang beschadigde filters.
6. Vervang het luchtfilter volgens schema. Zie *Onderhoudsschema op pagina 75*.
7. Maak het schuimfilter en het papierfilter schoon indien deze vuil zijn. Zie *Het luchtfilter reinigen op pagina 77*.
8. Plaats het luchtfilter terug in omgekeerde volgorde.

## Het luchtfilter reinigen



**WAARSCHUWING:** Gebruik goedgekeurde ademhalingsbescherming wanneer u het luchtfilter reinigt of vervangt. Voer gebruikte luchtfilters op de juiste manier af. Het stof in het luchtfilter is schadelijk voor uw gezondheid.



**WAARSCHUWING:** Reinig het luchtfilter niet met perslucht. Dit veroorzaakt schade aan het luchtfilter en het risico neemt toe dat u gevaarlijk stof inademt.

1. Verwijder het luchtfilter. Raadpleeg *Het luchtfilter inspecteren op pagina 76*.
2. Reinig het luchtfilterhuis met een borstel.
3. Tik het luchtfilter tegen een hard oppervlak of gebruik een stofzuiger om de deeltjes te verwijderen.



**OPGELET:** Zorg ervoor dat de zuigmond van de stofzuiger het oppervlak van het papieren filterelement niet raakt. Houd een kleine afstand aan. Het gevoelige oppervlak van het papieren filterelement raakt beschadigd als er voorwerpen mee in aanraking komen.

4. Controleer het luchtfilter op beschadigingen.
5. Gooi het luchtfilter weg als het beschadigd is.



**OPGELET:** Vervang een beschadigd luchtfilter altijd, anders komt het stof in de motor en kan de motor beschadigd raken.

6. Reinig het schuimfilter met water en zeep.
7. Spoel het schuimfilter af in schoon water.
8. Knijp het water uit het schuimfilter en laat het schuimfilter drogen.
9. Smeer het schuimfilter in met motorolie.
10. Duw een schone doek tegen het filter om overtollige olie te verwijderen.

**Let op:** Er komt rook uit de motor als er te veel olie in het schuimfilter zit wanneer de motor start.

11. Zet het luchtfilterdeksel terug. Zie *Het luchtfilter inspecteren op pagina 76*.

## De borstelstrook controleren

- Controleer of de borstelstrook niet beschadigd is en of deze strak tegen de vloer aan ligt.

## Bougie controleren



**WAARSCHUWING:** Laat de bougie afkoelen voordat u deze vervangt.

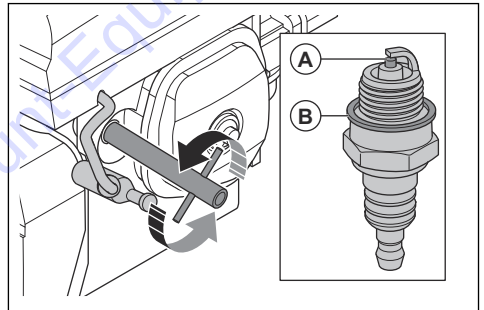


**OPGELET:** Gebruik altijd een juiste bougie. Zie *Technische gegevens op pagina 79*.



**OPGELET:** Zorg ervoor dat de bougie de juiste afstand heeft en dat deze vrij is van afzettingen.

1. Maak de bougiekap los en verwijder vuil uit de omgeving van de bougie.
2. Verwijder de bougie met een bougiesleutel van 13/16" (21 mm).



3. Controleer de bougie. Vervang de bougie indien deze beschadigd is of de elektrode (A) versleten is of de afzichtring (B) in slechte staat verkeert.
4. Meet de afstand tussen de elektroden van de bougie met een voelmaat. Zorg ervoor dat de afstand juist is. Zie *Technische gegevens op pagina 79*.
5. Buig zo nodig voorzichtig de zijde van de zijelektrode om de afstand te corrigeren.
6. Monteer de bougie voorzichtig met de hand.
7. Draai de bougie vast met een bougiesleutel van 13/16" (21 mm) om de ring samen te drukken.
  - a) Als u een nieuwe bougie monteert, draai deze dan vast met een ½ slag nadat de bougie op de samengedrukte ring is geplaatst.
  - b) Als u dezelfde bougie monteert, draai deze dan vast met ¼-¼ slag als de bougie tegen de samengedrukte ring ligt.



**OPGELET:** Een losse bougie kan te heet worden en schade aan de motor veroorzaken. Als de bougie te strak

zit, kan dit de bovenkant van de cilinder beschadigen.

8. Bevestig de bougiekap op de bougie.

## Probleemoplossing

### Probleemoplossingsschema

Probleem	Oorzaak	Mogelijke oplossingen
Het product start niet.	De dodemanshandgreep is niet geactiveerd.	Houd de dodemanshandgreep tegen het stuur wanneer u aan de startkoordhendel trekt.
	Geen brandstof in de brandstoftank.	Vul de brandstoftank met brandstof. Zie <i>Brandstof bijvullen op pagina 73</i> .
	Er is geen olie in de olietank.	Vul de olietank met olie. Zie <i>Oliepeil controleren op pagina 75</i> .
Het product kan niet eenvoudig worden vastgehouden.	Te klein aantal diamantgereedschappen op slijpkop.	Gebruik het juiste aantal diamantgereedschappen. Zie <i>Diamantgereedschappen op pagina 71</i> .
	Het geselecteerde type diamantgereedschap is niet correct voor het oppervlak.	
Het product maakt plotselinge bewegingen.	De diamantgereedschappen zijn niet correct gemonteerd.	Controleer of alle diamantgereedschappen correct zijn gemonteerd.
	De diamantgereedschappen hebben verschillende hoogten.	Controleer of alle diamantgereedschappen dezelfde hoogte hebben.
Het product stopt na een tijdje.	De hoogte- en gewichtsinstelling is niet correct.	Controleer of de hoogte en het gewicht correct zijn afgesteld. Zie <i>De framelhoogte aanpassen op pagina 70</i> en <i>Het stuur verstellen op pagina 69</i> .
	Te hoge belasting.	Breng meer diamantgereedschappen aan of ga over op een harder bindmiddel.
	Onjuiste brandstoftankdop. Zie <i>Twee verschillende brandstoftankdoppen op pagina 73</i> .	Zorg ervoor dat de brandstoftankdop volledig is vastgedraaid wanneer u het product gebruikt.
Het product stopt wanneer u het start.		Neem contact op met een erkend servicecentrum.

## Transport en opslag

### Transport van het product

- Sluit de brandstofklep. Zie *Product starten op pagina 74*.
- Zet het product tijdens transport veilig vast om schade en ongevallen te voorkomen.
- Zorg dat het product tijdens het transport op bepaalde manieren wordt beschermd. Op deze wijze wordt het product niet blootgesteld aan natuurverschijnselen zoals regen en sneeuw.
- Gebruik altijd het hijsorg dat aan het product is bevestigd om het product te hijsen en te verplaatsen.

- Gebruik altijd goedgekeurde containers voor opslag en transport van brandstof.
- Leeg de brandstoftank voordat u het product voor langere tijd opslaat. De brandstof via een geschikte verwijderingslocatie afvoeren.
- Bewaar het product in een afgesloten ruimte om toegang door kinderen of onbevoegde personen te verhinderen.
- Bewaar het product in een droge en vorstvrije ruimte.

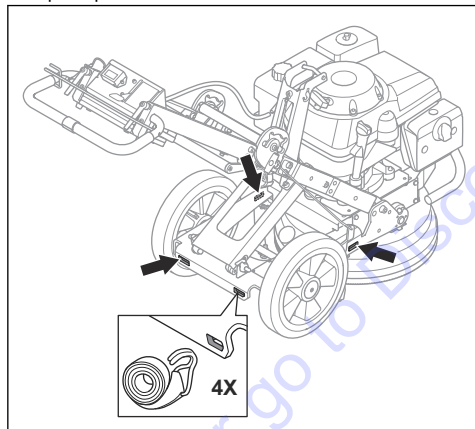
## Product in de transportstand zetten

- Als u het product in de transportstand wilt zetten, raadpleeg dan *De framehoogte aanpassen op pagina 70*.

## Het product aan een transportvoertuig bevestigen

Bevestig het product tijdens transport om ongevallen en schade aan de apparatuur te voorkomen.

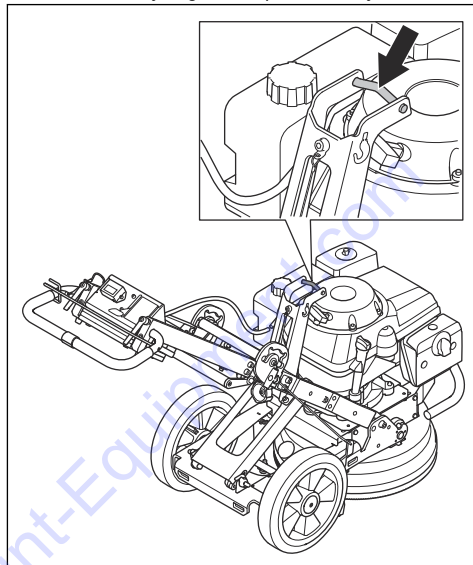
1. Bevestig sjordbanden in de bijbehorende openingen op het product.



2. Bevestig de sjordbanden aan het transportvoertuig en haal de sjordbanden aan.

## Het product hijsen

1. Gebruik het hijs oog om het product te hijsen.



2. Hef het product veilig omhoog. Laat u door iemand helpen wanneer u het product optilt.

## Technische gegevens

### Technische gegevens

Motor	
Motormodel	HondaGXV 390
Motortype	Viertakt, kopklep, 1 cilinder

Nominaal motorvermogen, kW/pk bij tpm <sup>20</sup>	7,6/10,2 bij 3600
Rotatiesnelheid - slijpschijf, tpm bij stationair-max.	440-1125
Slijpbreedte, mm/in.	400/15,75
<b>Slijpdruk</b>	
Hendel in lage stand, kg/lbs	62/137
Hendel in middelste stand, kg/lbs	64/141
Hendel in hoge stand, kg/lbs	69/152
<b>Ontstekingsstelsel</b>	
Bougie	BPR5ES (NGK) of W16EPR-U (DENSO)
Afstand tussen de elektroden, mm /inch	0,7-0,8/0,028-0,031
<b>Brandstof-/smeersysteem</b>	
Inhoud brandstoftank, l	2,1
Brandstoftype	Normaal loodvrij (maximaal 10% ethanol)
<b>Gewicht</b>	
Zonder brandstof, kg/lbs	140/308
Aanbevolen olie	Viertaktmotorolie, classificatie SJ, SL of gelijkwaardig. <sup>21</sup>
<b>Aanbevolen stofafzuiger</b>	
Min. luchtstroming, m <sup>3</sup> /h/CFM	400/236
Min. vacuüm, kPa/psi	322/3,2
Min. wateropvoering, m/inch	2,3/90
Opzetstuk stofzuiger, mm/inch	50/2
<b>Geluidsemissies<sup>22</sup></b>	
Geluidsvermogensniveau L <sub>WA</sub> WA (gemeten) dB(A)	102
<b>Geluidsniveau<sup>23</sup></b>	
Geluidsdruk niveau L <sub>pA</sub> dB(A)	88
<b>Trillingsniveau<sup>24</sup></b>	
Hendel rechts, m/s <sup>2</sup>	4,6

<sup>20</sup> Zoals gespecificeerd door de motorfabrikant. Het aangegeven nominale vermogen van de motor heeft betrekking op het gemiddelde nettovermogen (bij het opgegeven toerental) van een typische productiemotor voor het betreffende motormodel, gemeten volgens de SAE-norm J1349/ISO1585. In massa geproduceerde motoren kunnen een afwijkende waarde geven. Het werkelijk geleverde vermogen van de geïnstalleerde motor in het product hangt af van de bedrijfssnelheid, de omgevingscondities en andere waarden.

<sup>21</sup> Controleer altijd het API-onderhoudslabel op de oliecontainer om er zeker van te zijn dat dit de letters SJ, SL, of gelijkwaardig, bevat.

<sup>22</sup> Geluidsemissie naar de omgeving gemeten als geluidsvermogen volgens EN 60335-2-72. Verwachte onzekerheidsmarge 3 dB(A).

<sup>23</sup> Geluidsdruk niveau volgens EN 60335-2-72. Verwachte onzekerheidsmarge 3 dB(A).

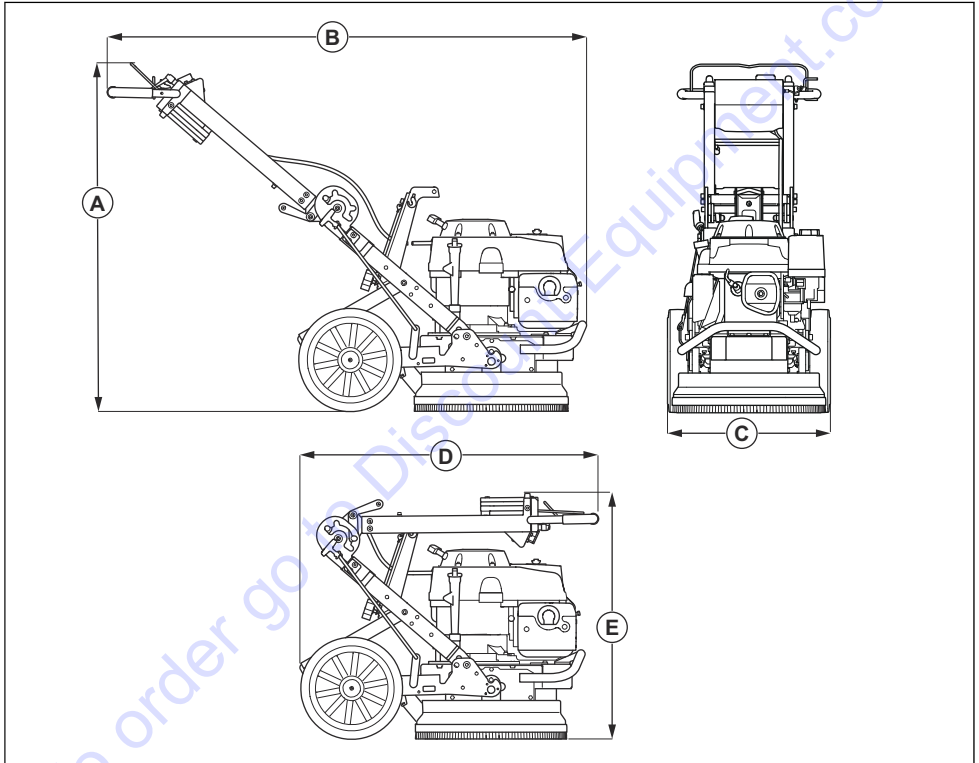
<sup>24</sup> Trillingsniveau volgens EN 60335-2-72. De gerapporteerde gegevens voor een trillingsniveau vertonen een typische statistische spreiding (standaardafwijking) van 1 m/s<sup>2</sup>.

## Verklaring inzake geluid- en trillingsemissies

Deze aangegeven waarden zijn verkregen door middel van typeonderzoek in een laboratorium in overeenstemming met de genoemde richtlijn of normen en zijn geschikt voor vergelijking met aangegeven waarden van andere producten die volgens dezelfde richtlijn of normen zijn getest. Deze aangegeven

waarden zijn niet geschikt voor gebruik ten behoeve van risicoanalyses. Waarden die worden gemeten op afzonderlijke werkplekken, kunnen hoger zijn. De werkelijke blootstellingswaarden en het risico op letsel dat een individuele gebruiker ondervindt, zijn uniek en zijn afhankelijk van de manier waarop de gebruiker werkt, het materiaal waarvoor het product gebruikt wordt, de blootstellingstijd en de fysieke toestand van de gebruiker en de toestand van het product.

## Productafmetingen



Afmetingen, mm/inch

Afmetingen, mm/inch	
A	1011/39,8
B	1397/55
C	480/18,9
D	900/35,4



Afmetingen, mm/inch	
---------------------	--

E	710/28,0
---	----------

To order go to [Discount-Equipment.com](http://Discount-Equipment.com)

 **Husqvarna**®

To order go to [Discount-Equipment.com](http://Discount-Equipment.com)

Original instructions  
Originalanweisungen  
Instructions d'origine  
Originele instructies

1141501-20



2019-11-18

**TO PURCHASE THIS PRODUCT PLEASE CONTACT US**



**Equipment Financing and  
Extended Warranties Available**



**Discount-Equipment.com is your online resource for  
commercial and industrial quality parts and equipment sales.**

**561-964-4949**

**visit us on line @ [www.discount-equipment.com](http://www.discount-equipment.com)**

Select an option below to find your Equipment

**Search by Manufacturer**

**Search by Product Type**

**Request a Quote**

We sell worldwide for the brands: Genie, Terex, JLG, MultiQuip, Mikasa, Essick, Whiteman, Mayco, Toro Stone, Diamond Products, Generac Magnum, Airman, Haulotte, Barreto, Power Blanket, Nifty Lift, Atlas Copco, Chicago Pneumatic, Allmand, Miller Curber, Skyjack, Lull, Skytrak, Tsurumi, Husquvarna Target, Stow, Wacker, Sakai, Mi-T-M, Sullair, Basic, Dynapac, MBW, Weber, Bartell, Bennar Newman, Haulotte, Ditch Runner, Menegotti, Morrison, Contec, Buddy, Crown, Edco, Wyco, Bomag, Laymor, EZ Trench, Bil-Jax, F.S. Curtis, Gehl Pavers, Heli, Honda, ICS/PowerGrit, IHI, Partner, Imer, Clipper, MMD, Koshin, Rice, CH&E, General Equipment, Amida, Coleman, NAC, Gradall, Square Shooter, Kent, Stanley, Tamco, Toku, Hatz, Kohler, Robin, Wisconsin, Northrock, Oztec, Toker TK, Rol-Air, APT, Wylie, Ingersoll Rand / Doosan, Innovatech, Con X, Ammann, Mecalac, Makinex, Smith Surface Prep, Small Line, Wanco, Yanmar