



# SPARE PARTS LIST

DRIVE UNITS

BE 30, 967941202, 2019-06

Go to [Discount-Equipment.com](https://Discount-Equipment.com) to order your parts



# PARTS FINDER

**Search Website  
by Part Number**



**Search Manual  
Library For Parts  
Manual & Lookup Part  
Numbers – Purchase  
or Request Quote**

**Search Manuals**

Enter your information to help us find the right parts manual for your machine.

\* Brand:

\* Model:

\* Serial:

\* Part Number:

SEARCH

**Can't Find Part or  
Manual? Request Help  
by Manufacturer,  
Model & Description**

**Parts Order Form**

Please fill in the following information to help us find the right part for your machine.

Manufacturer:	<input type="text"/>
Model:	<input type="text"/>
Description:	<input type="text"/>
Part Number:	<input type="text"/>
Quantity:	<input type="text"/>
Notes:	<input type="text"/>

Discount-Equipment.com is your online resource for quality parts & equipment.

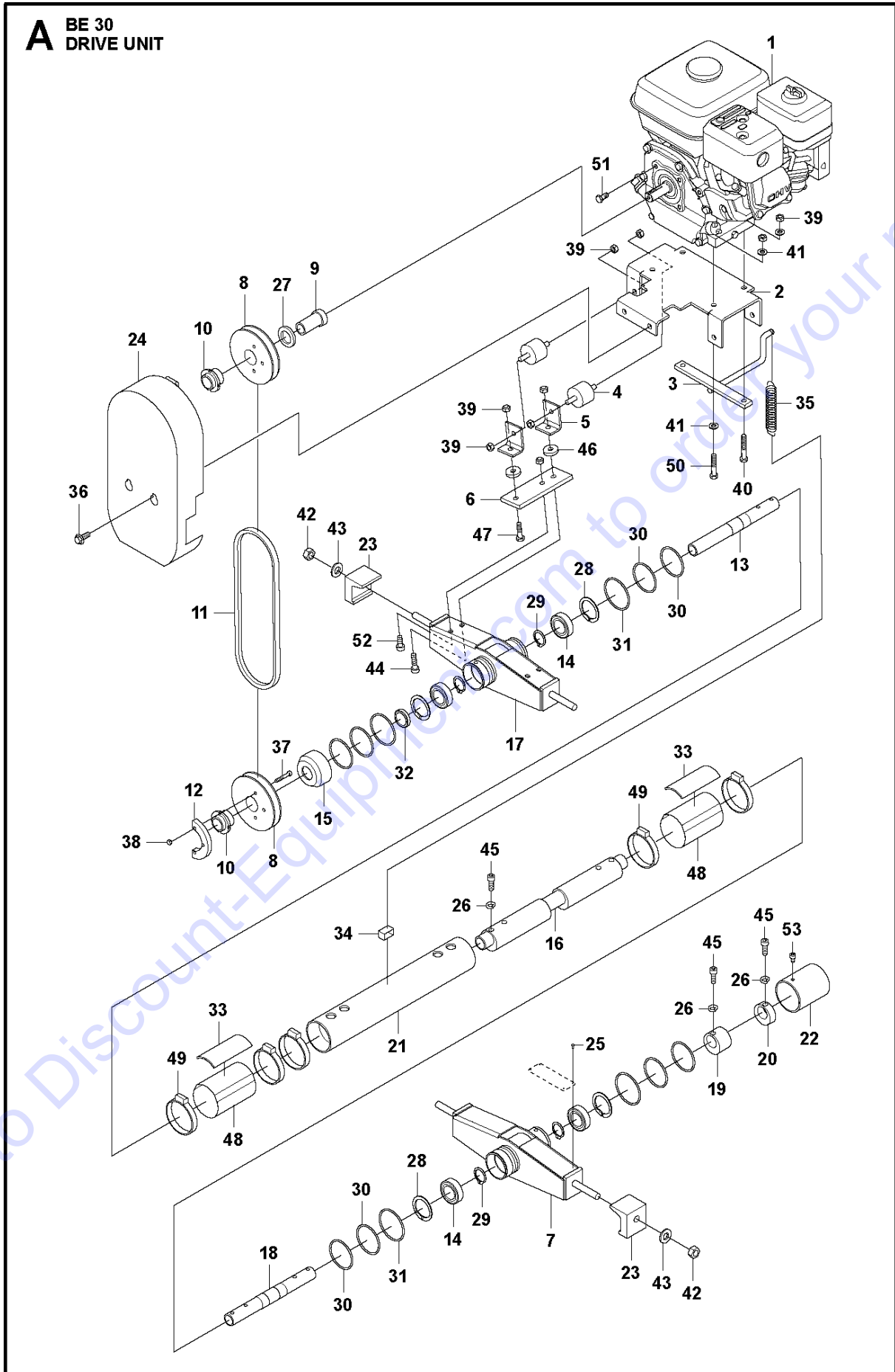
Florida: **561-964-4949** Outside Florida TOLL FREE: **877-690-3101**

**Need parts?**

Click on this link: <http://www.discount-equipment.com/category/5443-parts/> and choose one of the options to help get the right parts and equipment you are looking for. Please have the machine model and serial number available in order to help us get you the correct parts. If you don't find the part on the website or on one of the online manuals, please fill out the request form and one of our experienced staff members will get back to you with a quote for the right part that your machine needs.

We sell worldwide for the brands: Genie, Terex, JLG, MultiQuip, Mikasa, Essick, Whiteman, Mayco, Toro Stone, Diamond Products, Generac Magnum, Airman, Haulotte, Barreto, Power Blanket, Nifty Lift, Atlas Copco, Chicago Pneumatic, Allmand, Miller Curber, Skyjack, Lull, Skytrak, Tsurumi, Husquvarna Target, Stow, Wacker, Sakai, Mi-T-M, Sullair, Basic, Dynapac, MBW, Weber, Bartell, Bennar Newman, Haulotte, Ditch Runner, Menegotti, Morrison, Contec, Buddy, Crown, Edco, Wyco, Bomag, Laymor, EZ Trench, Bil-Jax, F.S. Curtis, Gehl Pavers, Heli, Honda, ICS/PowerGrit, IHI, Partner, Imer, Clipper, MMD, Koshin, Rice, CH&E, General Equipment, Amida, Coleman, NAC, Gradall, Square Shooter, Kent, Stanley, Tamco, Toku, Hatz, Kohler, Robin, Wisconsin, Northrock, Oztec, Toker TK, Rol-Air, APT, Wylie, Ingersoll Rand / Doosan, Innovatech, Con X, Ammann, Mecalac, Makinex, Smith Surface Prep, Small Line, Wanco, Yanmar

**A** BE 30  
DRIVE UNIT

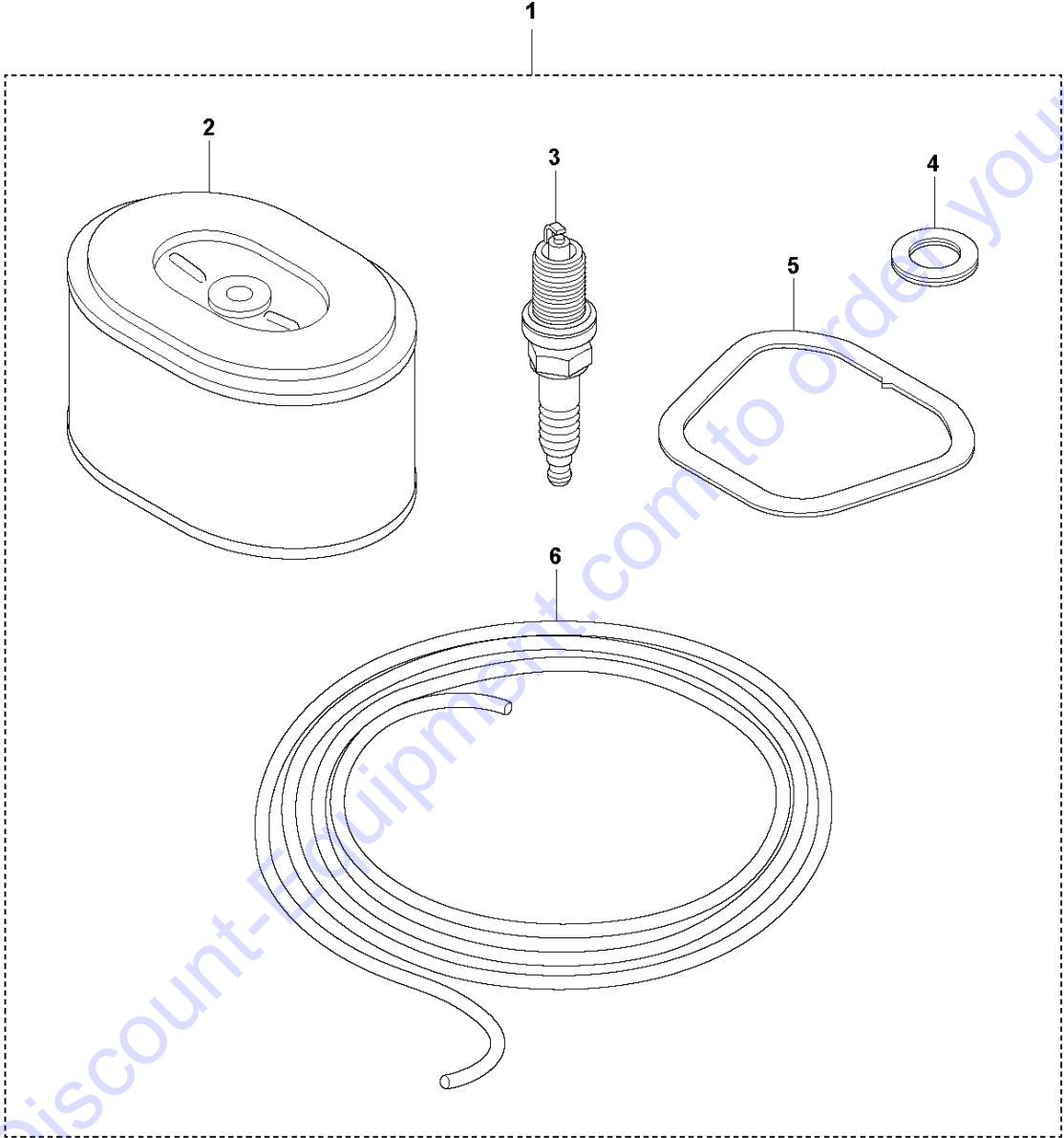


## DRIVE UNIT

BE 30, 967941202, 2019-06

Ref	Part No	Description	Remark	QTY KIT
1	594 34 00-01	ENGINE	GX120UT3 SXS4 SD NH1	1
2	595 19 89-01	ENGINE PLATE		1
3	595 47 52-01	HOLDER		1
4	594 68 17-01	ABSORBER		4
5	594 69 28-01	BAR		4
6	595 13 88-01	PLATE		2
7	595 21 11-01	HOLDER		1
8	594 69 23-01	PULLEY		2
9	594 62 62-01	SLEEVE		1
10	594 68 08-01	NUT		2
11	595 39 14-01	BELT		1
12	595 13 89-01	EXCENTER		1
13	594 68 64-01	SHAFT		1
14	596 78 31-01	BALL BEARING	6005 2Z	4
15	594 88 80-01	PLUG		1
16	594 68 70-01	SHAFT		1
17	594 86 15-01	HOLDER		1
18	595 13 51-01	SHAFT		1
19	594 88 83-01	EXCENTER	Eccentric 70%	1
20	594 88 82-01	EXCENTER	Eccentric 30%	1
21	594 69 32-01	TUBE		1
22	594 88 81-01	PLUG		1
23	594 69 21-01	HOLDER		4
24	595 91 70-01	COVER		1
25	594 79 32-01	RIVET		4
26	595 06 13-01	WASHER	M8 DIN127B	6
27	594 69 13-01	SPACER		1
28	595 44 51-01	CIRCLIP	47X1.75 DIN472	4
29	594 12 47-01	RETAINER RING	D25 DIN471	4
30	595 14 52-01	O-RING	36.2x3 NBR 70 Shore	8
31	595 11 74-01	O-RING	54.3x3 NBR 70 Shore	4
32	595 39 09-01	V-RING	V-25S	1
33	594 69 22-01	SEALING		2
34	594 24 55-01	SPRING HOLDER		1
35	594 69 29-01	SPRING		1
36	598270801	TBD	M10x20 DIN6921 8.8 A2K	2
37	594 82 09-01	SCREW	M5x35 ISO4762	3
38	595 35 22-01	LOCK NUT	M5 ISO7040 8 A2K	3
39	595 35 23-01	NUT	M8 ISO7040 8 A2K	18
40	595 28 71-01	SCREW	M8x50 ISO4014 8.8 A2K	2
41	595 03 66-01	WASHER	M8 ISO7089 HV200 A2K	6
42	595 11 27-01	NUT	M12 ISO7040 A3K	4
43	595 11 34-01	WASHER	M12 ISO7089 HV200 A2K	4
44	594 52 83-01	SCREW	M8 x 30 mm DIN912	2
45	598 15 71-01	SCREW	M8x22 DIN912 8.8 Zn	6
46	595 11 29-01	WASHER		4
47	595 03 34-01	SCREW	M8x30 DIN933 8.8 FZB	2
48	594 22 35-01	PLATE		2
49	594 22 43-01	CLAMP		5
50	595 03 35-01	SCREW	M8x40 ISO4014 8.8 A2K	2
51	595 11 01-01	SCREW	M8x16 ISO4017 8.8 A2K	2
52	595 03 45-01	SCREW	M8x25 ISO4762 8.8 A2K	2
53	598 50 38-01	SCREW	M6x10 ISO4762 12.9	1

**B** BE 30  
SERVICE KIT - HONDA GX 120

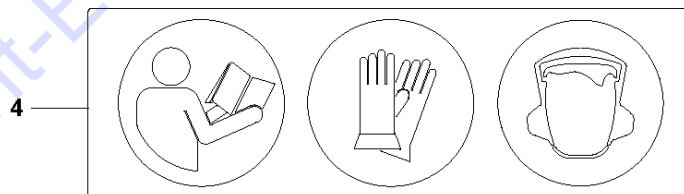
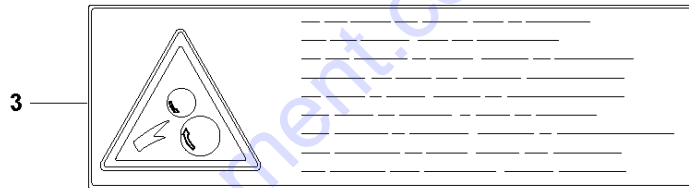


Go to Discount-Equipment.com to order your parts

Ref	Part No	Description	Remark	QTY	KIT
1	594 20 02-01	SERVICE KIT		1	
2	594 30 21-01	AIR FILTER		1	1
3	594 54 43-01	SPARK PLUG	BPR6ES (NGK)	1	1
4	595 04 89-01	GASKET		1	1
5	594 31 30-01	GASKET		1	1
6	595 04 91-01	ROPE		1	1

Go to [Discount-Equipment.com](http://Discount-Equipment.com) to order your parts

**C** BE 30  
DECALS



Go to Discount-Equipment.com to order your parts

Ref	Part No	Description	Remark	QTY KIT
1	501 86 05-01	DECAL		1
2	596 44 62-02	DECAL		1
3	598 20 23-01	LABEL		1
4	596 63 69-01	DECAL		1

Go to [Discount-Equipment.com](https://Discount-Equipment.com) to order your parts



# PARTS FINDER

**Search Website  
by Part Number**



**Search Manual  
Library For Parts  
Manual & Lookup Part  
Numbers – Purchase  
or Request Quote**

**Search Manuals**

Enter your information to help us find the right parts manual for your machine.

\* Brand:

\* Model:

\* Serial:

\* Part Number:

SEARCH

**Can't Find Part or  
Manual? Request Help  
by Manufacturer,  
Model & Description**

**Parts Order Form**

Please fill in the following information to help us find the right part for your machine.

Manufacturer:	<input type="text"/>
Model:	<input type="text"/>
Description:	<input type="text"/>
Part Number:	<input type="text"/>
Quantity:	<input type="text"/>
Notes:	<input type="text"/>

Submit

Discount-Equipment.com is your online resource for quality parts & equipment.

Florida: **561-964-4949** Outside Florida TOLL FREE: **877-690-3101**

**Need parts?**

Click on this link: <http://www.discount-equipment.com/category/5443-parts/> and choose one of the options to help get the right parts and equipment you are looking for. Please have the machine model and serial number available in order to help us get you the correct parts. If you don't find the part on the website or on one of the online manuals, please fill out the request form and one of our experienced staff members will get back to you with a quote for the right part that your machine needs.

We sell worldwide for the brands: Genie, Terex, JLG, MultiQuip, Mikasa, Essick, Whiteman, Mayco, Toro Stone, Diamond Products, Generac Magnum, Airman, Haulotte, Barreto, Power Blanket, Nifty Lift, Atlas Copco, Chicago Pneumatic, Allmand, Miller Curber, Skyjack, Lull, Skytrak, Tsurumi, Husquvarna Target, Stow, Wacker, Sakai, Mi-T-M, Sullair, Basic, Dynapac, MBW, Weber, Bartell, Bennar Newman, Haulotte, Ditch Runner, Menegotti, Morrison, Contec, Buddy, Crown, Edco, Wyco, Bomag, Laymor, EZ Trench, Bil-Jax, F.S. Curtis, Gehl Pavers, Heli, Honda, ICS/PowerGrit, IHI, Partner, Imer, Clipper, MMD, Koshin, Rice, CH&E, General Equipment, Amida, Coleman, NAC, Gradall, Square Shooter, Kent, Stanley, Tamco, Toku, Hatz, Kohler, Robin, Wisconsin, Northrock, Oztec, Toker TK, Rol-Air, APT, Wylie, Ingersoll Rand / Doosan, Innovatech, Con X, Ammann, Mecalac, Makinex, Smith Surface Prep, Small Line, Wanco, Yanmar