



# SPARE PARTS LIST

SURFACE PREPARATION EQUIPMENT

PG 400, from serial number 148 to 2014  
2000001

Go to [Discount-Equipment.com](http://Discount-Equipment.com) to order your parts



# PARTS FINDER

**Search Website  
by Part Number**



**Search Manual  
Library For Parts  
Manual & Lookup Part  
Numbers – Purchase  
or Request Quote**

**Search Manuals**

Enter your information to help us find the right parts manual for your machine.

\* Brand:

\* Model:

\* Serial:

\* Part Number:

SEARCH

**Can't Find Part or  
Manual? Request Help  
by Manufacturer,  
Model & Description**

**Parts Order Form**

Please fill in the following information to help us find the right part for your machine.

MANUFACTURER:

MODEL:

DESCRIPTION:

DATE:

NAME:

PHONE:

EMAIL:

ADDRESS:

CITY:

STATE:

ZIP:

REQUEST FOR QUOTE

Discount-Equipment.com is your online resource for quality parts & equipment.

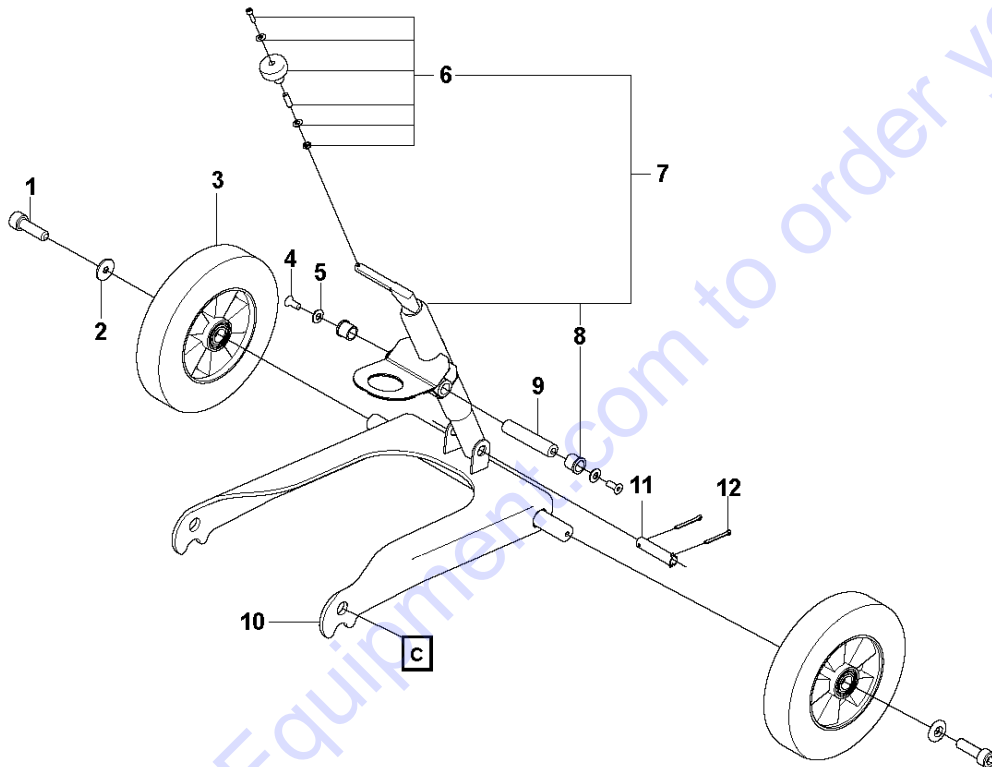
Florida: **561-964-4949** Outside Florida TOLL FREE: **877-690-3101**

**Need parts?**

Click on this link: <http://www.discount-equipment.com/category/5443-parts/> and choose one of the options to help get the right parts and equipment you are looking for. Please have the machine model and serial number available in order to help us get you the correct parts. If you don't find the part on the website or on one of the online manuals, please fill out the request form and one of our experienced staff members will get back to you with a quote for the right part that your machine needs.

We sell worldwide for the brands: Genie, Terex, JLG, MultiQuip, Mikasa, Essick, Whiteman, Mayco, Toro Stone, Diamond Products, Generac Magnum, Airman, Haulotte, Barreto, Power Blanket, Nifty Lift, Atlas Copco, Chicago Pneumatic, Allmand, Miller Curber, Skyjack, Lull, Skytrak, Tsurumi, Husquvarna Target, Stow, Wacker, Sakai, Mi-T-M, Sullair, Basic, Dynapac, MBW, Weber, Bartell, Bennar Newman, Haulotte, Ditch Runner, Menegotti, Morrison, Contec, Buddy, Crown, Edco, Wyco, Bomag, Laymor, EZ Trench, Bil-Jax, F.S. Curtis, Gehl Pavers, Heli, Honda, ICS/PowerGrit, IHI, Partner, Imer, Clipper, MMD, Koshin, Rice, CH&E, General Equipment, Amida, Coleman, NAC, Gradall, Square Shooter, Kent, Stanley, Tamco, Toku, Hatz, Kohler, Robin, Wisconsin, Northrock, Oztec, Toker TK, Rol-Air, APT, Wylie, Ingersoll Rand / Doosan, Innovatech, Con X, Ammann, Mecalac, Makinex, Smith Surface Prep, Small Line, Wanco, Yanmar

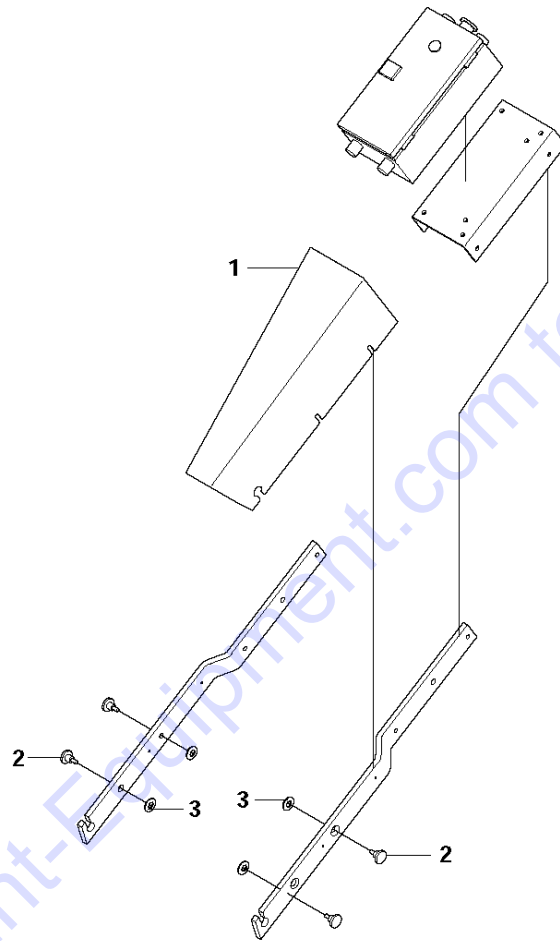
**B** PG400



Ref	Part No	Description	Remark	QTY	KIT
1	725 53 70-51	SCREW IHSCM		2	
2	575 39 51-01	WASHER		2	
3	502 54 50-01	WHEEL		2	
4	725 24 93-76	SCREW EHHM		2	
5	734 11 72-01	WASHER		2	
6	574 56 89-01	KIT		1	7
7	574 70 32-02	ADJUSTING SCREW		1	
8	510 21 75-01	BUSHING		2	7
9	510 23 90-01	SHAFT PIVOT		1	
10	576 14 97-01	CHASSIS		1	
11	510 21 57-01	LOCKING PIN		1	
12	721 62 16-01	SPLIT PIN		2	

Go to [Discount-Equipment.com](http://Discount-Equipment.com) to order your parts

**D** PG400



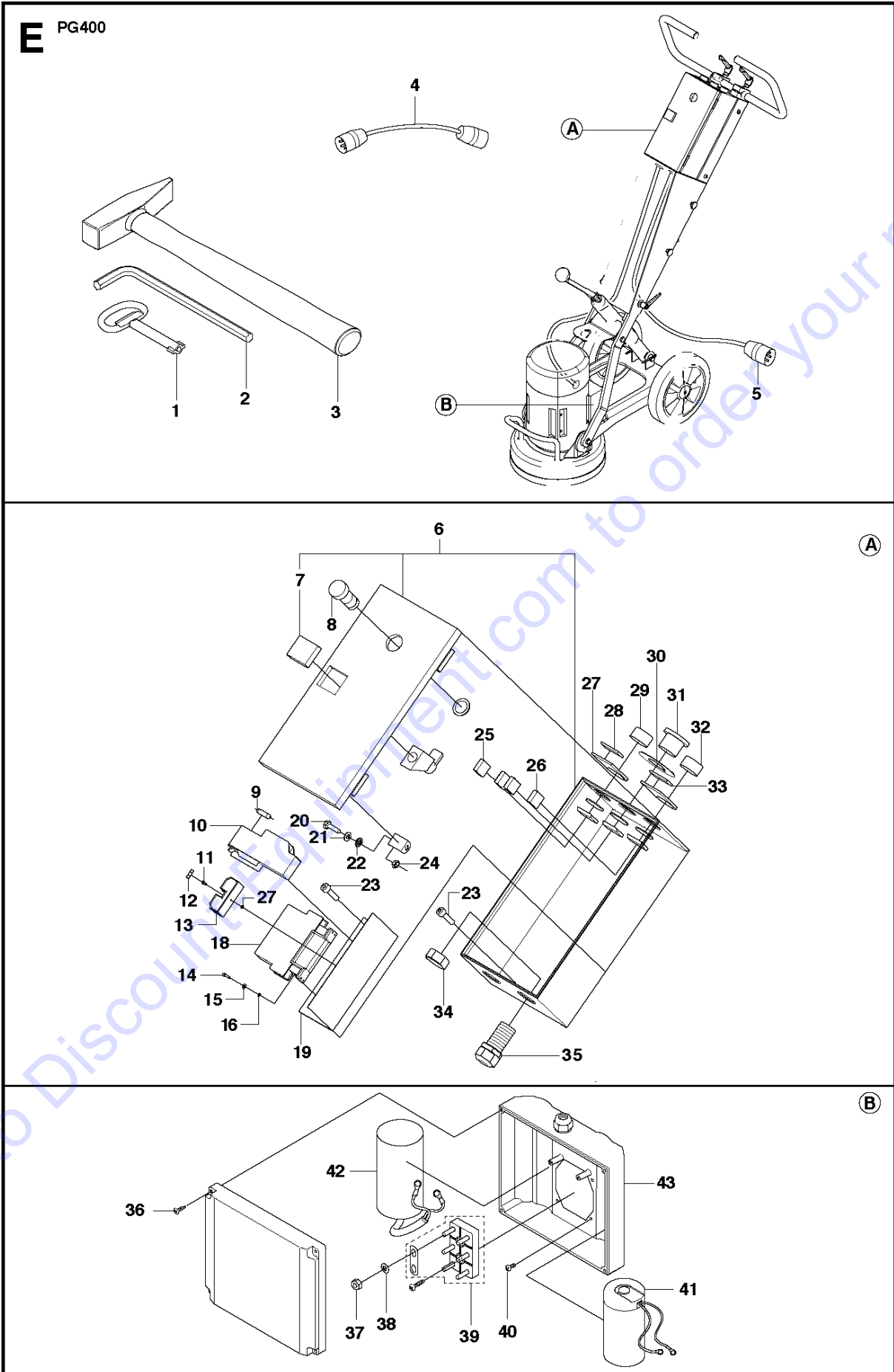
<b>⚠ WARNING</b>	
<p><b>CAUTION</b> To reduce the risk of injury from moving parts, empty before servicing.</p> <p><b>ATTENTION</b> - <b>DISCONNECT FROM SUPPLY CABLES BEFORE OPENING</b></p> <ul style="list-style-type: none"> <li>- To reduce the risk of electric shock, empty before servicing or working.</li> <li>- To reduce the risk of electric shock, do not expose to rain, water, salt, etc.</li> <li>- To reduce the risk of electric shock, keep workpieces and accessories dry and off the ground.</li> <li>- <i>Crédit pour</i></li> <li>- <i>For Household and Commercial Use</i></li> </ul>	<p><b>ATTENTION</b> Afin de réduire le risque de blessure lors des réparations, vidangez avant toute intervention d'entretien.</p> <p><b>AVERTISSEMENT</b> - <b>DEBRANCHER LA MACHINE DE COURANT ALIMENTATION AVANT DE L'OUVRIR.</b></p> <ul style="list-style-type: none"> <li>- Afin de réduire le risque de choc électrique, vidangez avant toute opération de maintenance ou d'entretien.</li> <li>- Afin de réduire le risque de choc électrique, n'exposez pas la machine à la pluie, au sel, à l'eau de mer, etc.</li> <li>- Afin de réduire le risque de choc électrique, gardez le matériel de la machine au sec et éloigné de l'eau. Il ne faut pas le salir.</li> <li>- <i>Évitez les enfants</i></li> <li>- <i>Pour une utilisation domestique et professionnelle.</i></li> </ul>

## DUST COVER

PG 400, from serial number 148 to 2014 2000001

Ref	Part No	Description	Remark	QTY KIT
1	510 22 81-01	DUST COVER		1
2	510 36 16-01	SCREW		2
3	734 11 52-60	WASHER		2
4	574 44 57-01	LABEL		1
5	578 31 04-01	DECAL		1

Go to [Discount-Equipment.com](http://Discount-Equipment.com) to order your parts



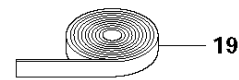
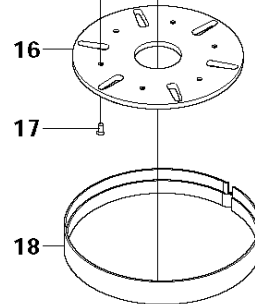
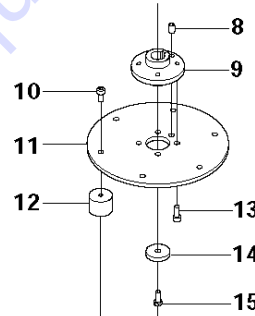
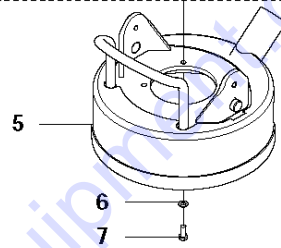
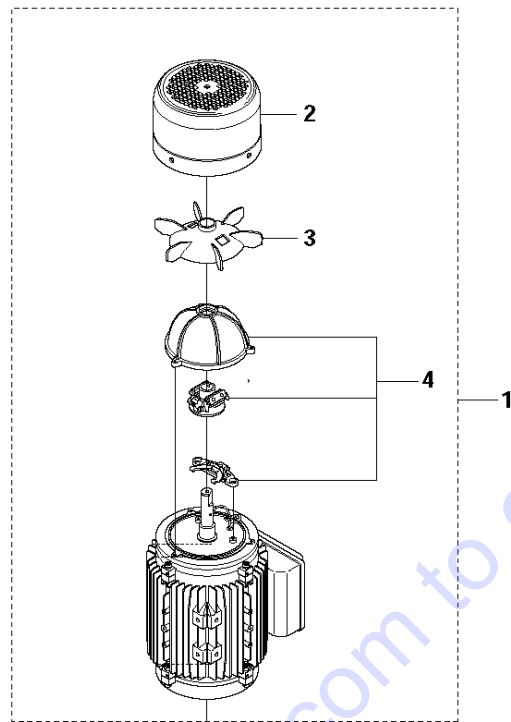
## ELECTRICAL

PG 400, from serial number 148 to 2014 2000001

Ref	Part No	Description	Remark	QTY KIT
1	574 44 11-01	KEY		1
2	531 11 95-36	INBUSSCHLUESSEL 8MM		1
3	522 03 97-01	HAMMER		1
4	574 52 41-01	CABLE ASSY	Australia	1
5	529 31 61-01	CABLE	Incl plug, EU, 3-Phase	1
5	529 31 61-02	CABLE	Incl plug, AUS, 3-Phase	1
5	529 31 61-03	CABLE	Incl plug, US (230V) 3-Phase	1
5	529 31 61-04	CABLE	Incl plug, US (480V) 3-Phase	1
5	529 31 61-05	CABLE	Incl plug, Japan3-Phase	1
5	525 84 19-08	CABLE	incl plug, US (30A) 1-Phase	1
5	525 84 19-03	CABLE	Incl plug, EU, 1-Phase	1
5	525 84 19-09	CABLE	Incl Plug, Brazil, 1-Phase	1
6	525 63 82-01	ELECTRIC BOX		1
7	516 06 21-01	LOCK		1 6
8	510 43 48-01	LED		1
9	516 06 23-01	RESISTOR	EU.AUS,US(480V) 3-Phase	1
10	579 27 64-01	PROTECTION	EU.AUS,US(480V) 3-Phase	1
10	579 02 37-01	PROTECTION	US (230V) 3-Phase	1
10	580 62 35-01	PROTECTION	230V, 1-Phase	1
11	725 53 25-01	SCREW IHSCM		1
12	525 63 81-01	FUSE		2
13	525 88 26-01	FUSE HOLDER		1
14	725 52 93-01	SCREW IHSCM		4
15	734 11 36-01	WASHER		4
16	732 25 12-01	HEXAGON LOCKING NUT		4
17	732 25 14-01	HEXAGON LOCKING NUT		1
18	579 27 60-01	CONTACTOR	EU.AUS,US(480V)	1
18	579 27 61-01	CONTACTOR	US (230V)	1
18	579 27 61-01	CONTACTOR	Japan	1
18	584 90 41-01	CONTACTOR	(230V) 1-Phase	1
19	516 06 24-01	SHEET		1
20	725 23 64-71	SCREW EHHM		1
21	734 11 52-01	WASHER		2
22	735 21 53-01	LOCK WASHER		2
23	725 53 64-55	SCREW IHSCM		6
24	731 23 16-01	HEXAGON NUT		2
25	510 43 14-01	CONTACT PLATE		3
26	510 43 15-01	CONTACT PLATE		1
27	510 43 30-01	HOLDER		2
28	510 43 31-01	SIGN		1
29	510 43 11-01	PUSH BUTTON	red	1
30	510 43 16-01	WARNING SIGN		1
31	510 43 13-01	PUSH BUTTON		1
32	510 43 12-01	PUSH BUTTON	Green	1
33	510 43 32-01	SIGN		1
34	510 43 18-01	NUT		2
35	510 43 17-01	STRAIN RELIEVER		2
36	725 23 37-71	SCREW EHHM		4
37	731 23 14-01	HEXAGON NUT		6
38	734 11 45-71	WASHER		6
39	577 81 26-01	TERMINAL BLOCK		1
40	724 12 89-51	SCREW		4
41	580 90 98-01	CAPACITOR		1
42	580 90 97-01	CAPACITOR		1
43	580 90 99-01	ELECTRONIC BOX		1



# A2 <sup>PG400</sup> 1-Phase

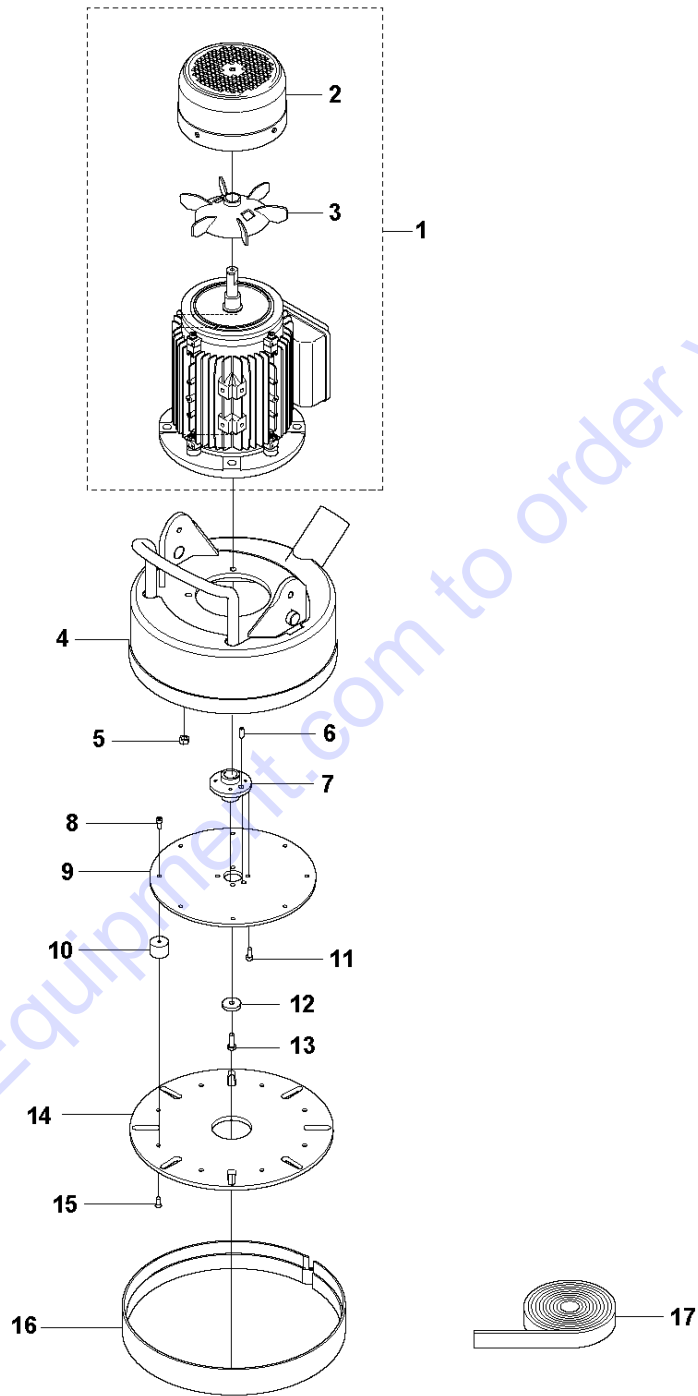


Go to Discount-Equipment.com to order your parts

Ref	Part No	Description	Remark	QTY	KIT
1	579 74 82-01	MOTOR	US	1	
1	579 74 81-01	MOTOR	EU	1	
2	580 90 93-01	FAN COVER		1	1
3	580 90 94-01	FAN		1	1
4	580 90 96-01	SWITCH KIT		1	1
5	525 55 57-01	MOTOR BRACKET		1	
6	734 11 80-41	WASHER		4	
7	525 60 12-01	SCREW IHSCM		4	
9	510 21 33-01	HUB		1	
10	725 64 47-55	SCREW IHCSFM		6	
11	510 23 43-01	ATTACHMENT PLATE		1	
12	510 21 31-01	RUBBER DAMPER		6	
13	725 54 51-55	SCREW IHSCM		4	
14	510 23 51-01	WASHER		1	
15	725 24 95-71	SCREW EHHM		1	
16	587 79 58-01	DISC		1	
17	725 64 49-55	SCREW IHCSFM		6	
18	574 27 20-02	SKIRT		1	
19	525 55 51-01	VELCRO STRIP (HOOK)		1	

Go to [Discount-Equipment.com](http://Discount-Equipment.com) to order your parts

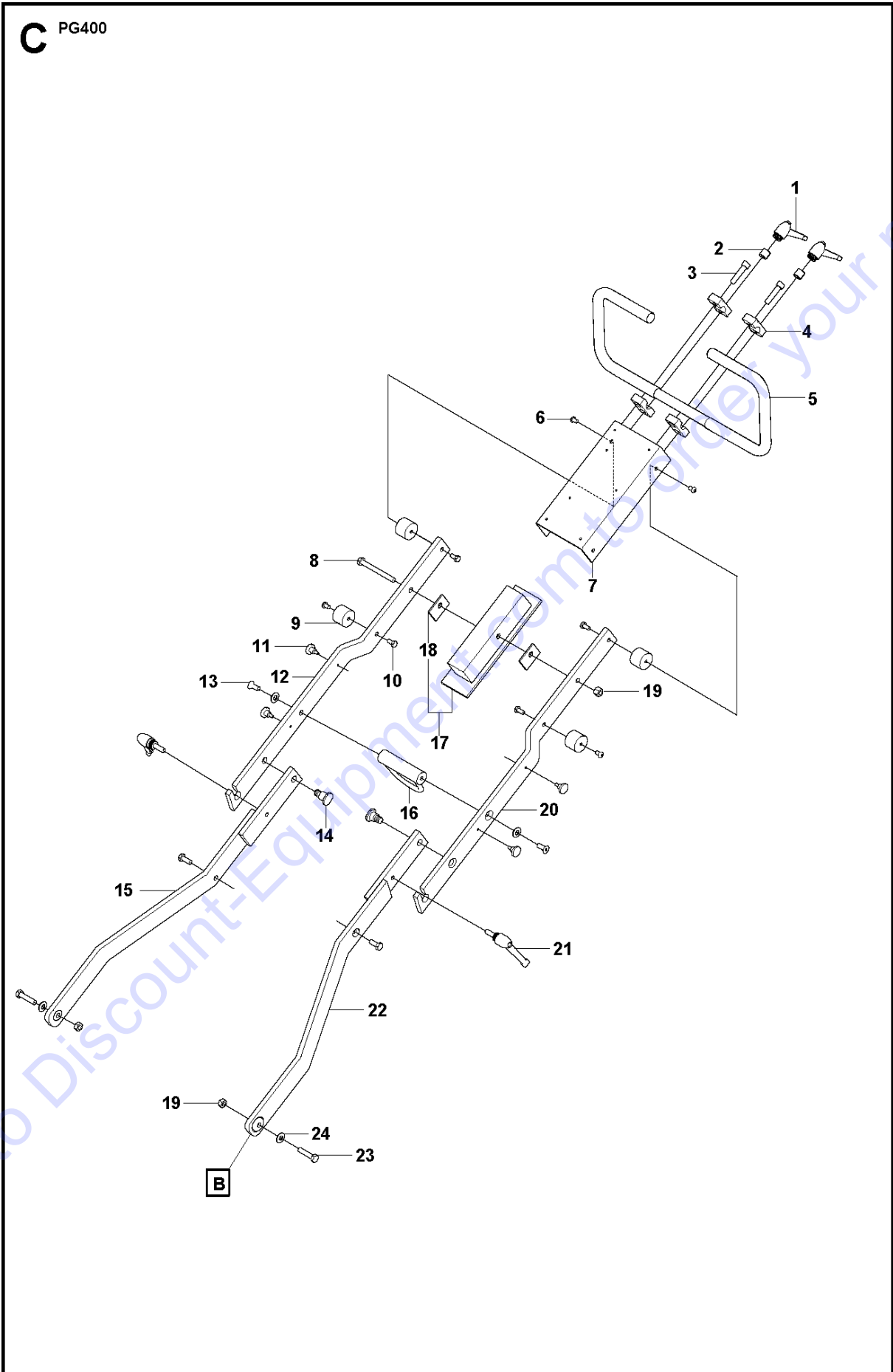
# A1<sup>PG400</sup> 3-Phase



Go to Discount-Equipment.com to order your parts

Ref	Part No	Description	Remark	QTY	KIT
1	510 23 22-02	MOTOR		1	
2	577 81 24-02	FAN COVER		1	1
3	577 81 23-01	FAN		1	1
4	574 70 31-02	MOTOR BRACKET		1	
5	731 23 22-01	HEXAGON NUT		4	
6	721 44 09-01	PIN		1	
7	510 21 33-01	HUB		1	
8	725 64 47-55	SCREW IHCSFM		8	
9	510 23 43-01	ATTACHMENT PLATE		1	
10	510 21 31-01	RUBBER DAMPER		8	
11	725 54 51-55	SCREW IHSCM		4	
12	510 23 51-01	WASHER		1	
13	725 24 95-71	SCREW EHHM		1	
14	522 67 74-01	HOLDER DISC		1	
15	725 64 49-55	SCREW IHCSFM		8	
16	574 27 20-02	SKIRT		1	
17	525 55 51-01	VELCRO STRIP (HOOK)		1	

Go to [Discount-Equipment.com](http://Discount-Equipment.com) to order your parts



## HANDLE BAR AND FRAME

PG 400, from serial number 148 to 2014 2000001

Ref	Part No	Description	Remark	QTY	KIT
1	510 24 48-01	HANDLE		2	
2	510 22 96-01	SPACER		2	
3	725 55 00-55	SCREW IHSCM		2	
4	510 22 93-01	BRACKET		4	
5	510 22 94-01	HANDLE		1	
6	576 01 38-01	SCREW IHPANM		4	
7	510 22 88-01	FRAME		1	
8	725 25 11-51	SCREW EHHM		1	
9	510 22 78-01	RUBBER DAMPER		4	
10	725 24 49-71	SCREW EHHM		4	
11	510 36 16-01	SCREW		4	
12	510 23 92-01	FORK	Right	1	
13	725 64 93-55	SCREW IHCSFM		2	
14	510 24 09-01	BUSHING		2	
15	510 23 76-01	ARM	Right	1	
16	510 23 94-01	HOSE CLIP		1	
17	574 55 55-02	KIT		1	
18	522 48 72-02	SPACER		2	17
19	732 25 20-01	HEXAGON LOCKING NUT		1	
20	510 23 93-01	FORK	Left	1	
21	510 22 82-01	LOCKING HANDLE		2	
22	510 23 81-01	ARM	Left	1	
23	725 25 00-81	SCREW EHHM		2	
24	734 11 72-01	WASHER		4	

Go to Discount-Equipment.com to order your parts

# PARTS FINDER

**Search Website  
by Part Number**



**Search Manual  
Library For Parts  
Manual & Lookup Part  
Numbers – Purchase  
or Request Quote**

**Search Manuals**

Enter your information to help us find the right parts manual for your machine.

\* Brand:

\* Model:

\* Serial:

\* Part Number:

SEARCH

**Can't Find Part or  
Manual? Request Help  
by Manufacturer,  
Model & Description**

**Parts Order Form**

Please fill in the following information to help us find the right part for your machine.

Manufacturer:	<input type="text"/>
Model:	<input type="text"/>
Description:	<input type="text"/>
Part Number:	<input type="text"/>
Quantity:	<input type="text"/>
Notes:	<input type="text"/>

Submit

Discount-Equipment.com is your online resource for quality parts & equipment.

Florida: **561-964-4949** Outside Florida TOLL FREE: **877-690-3101**

**Need parts?**

Click on this link: <http://www.discount-equipment.com/category/5443-parts/> and choose one of the options to help get the right parts and equipment you are looking for. Please have the machine model and serial number available in order to help us get you the correct parts. If you don't find the part on the website or on one of the online manuals, please fill out the request form and one of our experienced staff members will get back to you with a quote for the right part that your machine needs.

We sell worldwide for the brands: Genie, Terex, JLG, MultiQuip, Mikasa, Essick, Whiteman, Mayco, Toro Stone, Diamond Products, Generac Magnum, Airman, Haulotte, Barreto, Power Blanket, Nifty Lift, Atlas Copco, Chicago Pneumatic, Allmand, Miller Curber, Skyjack, Lull, Skytrak, Tsurumi, Husquvarna Target, Stow, Wacker, Sakai, Mi-T-M, Sullair, Basic, Dynapac, MBW, Weber, Bartell, Bennar Newman, Haulotte, Ditch Runner, Menegotti, Morrison, Contec, Buddy, Crown, Edco, Wyco, Bomag, Laymor, EZ Trench, Bil-Jax, F.S. Curtis, Gehl Pavers, Heli, Honda, ICS/PowerGrit, IHI, Partner, Imer, Clipper, MMD, Koshin, Rice, CH&E, General Equipment, Amida, Coleman, NAC, Gradall, Square Shooter, Kent, Stanley, Tamco, Toku, Hatz, Kohler, Robin, Wisconsin, Northrock, Oztec, Toker TK, Rol-Air, APT, Wylie, Ingersoll Rand / Doosan, Innovatech, Con X, Ammann, Mecalac, Makinex, Smith Surface Prep, Small Line, Wanco, Yanmar