

# AIRMAN

---

# PC

---

## PARTS CATALOG

### ENGINE COMPRESSOR

**PDS400S - 6E1**

**PDS400SC - 6E1**

**PDSF375DP - 6E1**

**PDSF375DPC - 6E1**

**PDSG310DP - 6E1**

Go to [Discount-Equipment.com](http://Discount-Equipment.com) to order your parts



[www.discount-equipment.com](http://www.discount-equipment.com)

HOKUETSU INDUSTRIES CO., LTD.

# PARTS FINDER

**Search Website  
by Part Number**



**Search Manual  
Library For Parts  
Manual & Lookup Part  
Numbers – Purchase  
or Request Quote**

**Search Manuals**

Enter your information to help us find the right parts manual for your machine.

\* Brand:

\* Model:

\* Serial:

\* Part Number:

SEARCH

**Can't Find Part or  
Manual? Request Help  
by Manufacturer,  
Model & Description**

**Parts Order Form**

Please fill in the following information to help us find the right part for your machine.

|               |                      |
|---------------|----------------------|
| Manufacturer: | <input type="text"/> |
| Model:        | <input type="text"/> |
| Description:  | <input type="text"/> |
| Part Number:  | <input type="text"/> |
| Quantity:     | <input type="text"/> |
| Notes:        | <input type="text"/> |

Submit

Discount-Equipment.com is your online resource for quality parts & equipment.

Florida: **561-964-4949** Outside Florida TOLL FREE: **877-690-3101**

**Need parts?**

Click on this link: <http://www.discount-equipment.com/category/5443-parts/> and choose one of the options to help get the right parts and equipment you are looking for. Please have the machine model and serial number available in order to help us get you the correct parts. If you don't find the part on the website or on one of the online manuals, please fill out the request form and one of our experienced staff members will get back to you with a quote for the right part that your machine needs.

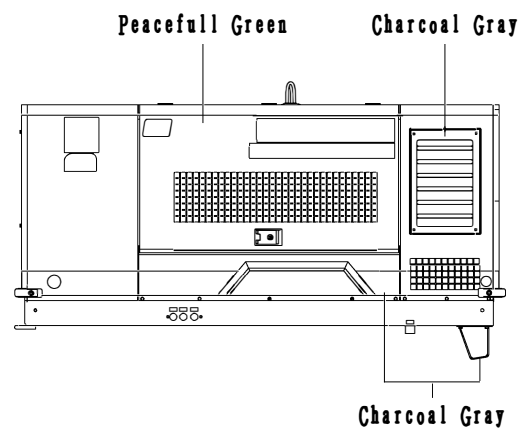
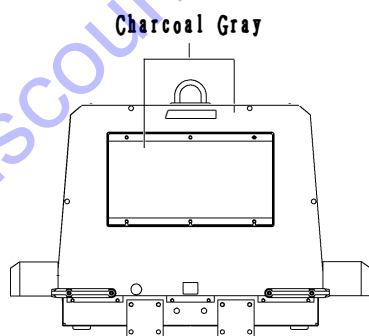
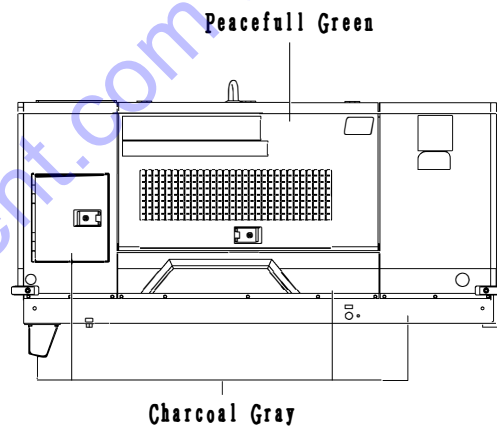
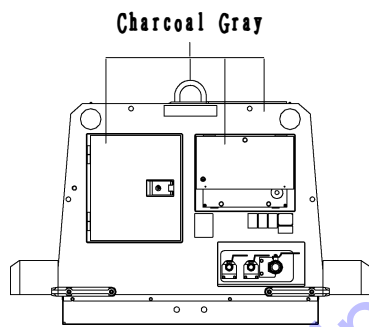
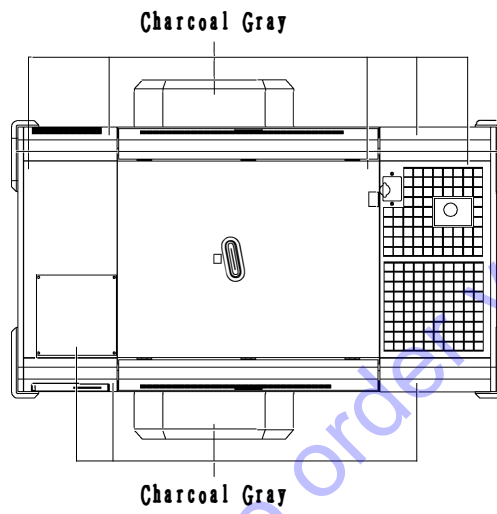
We sell worldwide for the brands: Genie, Terex, JLG, MultiQuip, Mikasa, Essick, Whiteman, Mayco, Toro Stone, Diamond Products, Generac Magnum, Airman, Haulotte, Barreto, Power Blanket, Nifty Lift, Atlas Copco, Chicago Pneumatic, Allmand, Miller Curber, Skyjack, Lull, Skytrak, Tsurumi, Husquvarna Target, Stow, Wacker, Sakai, Mi-T-M, Sullair, Basic, Dynapac, MBW, Weber, Bartell, Bennar Newman, Haulotte, Ditch Runner, Menegotti, Morrison, Contec, Buddy, Crown, Edco, Wyco, Bomag, Laymor, EZ Trench, Bil-Jax, F.S. Curtis, Gehl Pavers, Heli, Honda, ICS/PowerGrit, IHI, Partner, Imer, Clipper, MMD, Koshin, Rice, CH&E, General Equipment, Amida, Coleman, NAC, Gradall, Square Shooter, Kent, Stanley, Tamco, Toku, Hatz, Kohler, Robin, Wisconsin, Northrock, Oztec, Toker TK, Rol-Air, APT, Wylie, Ingersoll Rand / Doosan, Innovatech, Con X, Ammann, Mecalac, Makinex, Smith Surface Prep, Small Line, Wanco, Yanmar

適用型式  
FOR MODEL

| 型式<br>MODEL                                | 適用号機<br>SER. NO.           |
|--|----------------------------|
| PDS400S-6E1                                | C1-6E10051~                |
| PDS400SC-6E1<br>[WITH AFTER COOLER TYPE]   | C1C6E10051~                |
| PDSF375DP-6E1                              | 79D6E10051~                |
| PDSF375DPC-6E1<br>[WITH AFTER COOLER TYPE] | 79F6E10051~                |
| PDSG310DP-6E1                              | D8D6E10051~<br>D9D6E10053~ |

# STANDARD PAINTING

---



## NOTICE

1. This parts catalog contains all the parts and assemblies of "AIRMAN" brand products. The complete unit is divided into several parts groups, the details of which are clearly illustrated, and completely listed. So desired part number, name and quantity can be easily determined referring to Ref.No.
2. When you place order for service parts, please be sure to advise us of the following information.
  - (1) Part number.
  - (2) Quantity required.
  - (3) Part name.
  - (4) Model name and Serial number.
3. How to read parts catalog.

| (8) 備考 S:STD.<br>Remarks SC:w. AFTER COOLER<br>SD:DRY AIR |                  |                                     |   |            |                               |           |               |
|---|------------------|-------------------------------------|---|------------|-------------------------------|-----------|---------------|
| 52 - 00 LINING  |                  |                                     |   |            |                               |           |               |
| (1)   | (2)              | (3)                                 | (4)   | (5)        | (6)                           | (7)       | (8)           |
| 見出番号<br>Ref. NO.  | 部品番号<br>Part NO. | 互換性<br>Inter-<br>change-<br>ability | 部品名称<br>Part Name                             | 数量<br>Q'ty | 適用号機範囲<br>Applicable Ser. No. | 変更<br>C/H | 備考<br>Remarks |
|   | 52900 04921      |                                     | URETHANE FOAM KIT                             |            |                               |           | S SC SD       |
|   | 52900 05121      |                                     | URETHANE FOAM KIT<br>(Const. No. 1~21)        |            |                               |           | ◎             |
|   | 52900 06121      |                                     | URETHANE FOAM KIT<br>(Const. No. 1~9 & 11~24) |            |                               |           | ◎             |
| 1   | 52959 71350      |                                     | Lining  | 1          |                               |           |               |
| 2   | 52959 97640      |                                     | Lining  | 1          |                               |           |               |
| 3   | 52959 80220      |                                     | Lining  | 1          |                               |           |               |
| 4   | 52959 71450      |                                     | Lining  | 1          |                               |           |               |
| 5   | 52959 71550      |                                     | Lining  | 1          |                               |           |               |
| 6   | 52959 30940      |                                     | Lining  | 1          |                               |           |               |
| 7   | 52959 71650      |                                     | Lining  | 2          |                               |           |               |

(1) Ref.No.

Reference number (Ref.No.) is to be used for locating the part number and name from the illustrations. (However some parts such as bolts and nuts etc., are not illustrated but their reference numbers only listed.)

Ref.No.1, 1-1, 1-2,..... shows history of part modifications.

[These reference numbers mean 1: primary period, 1-1: first alteration, 1-2: second alteration and 1-3.....follows]

(2) Part No.

Every part has its own proper number. Even if a part has the same shape as an other part and if its number different, it is not interchangeable at all in many cases.

(3) Interchangeability

A, B, C, D, E, Q, X, Y and Z in column "Interchangeability" show the following.

A: A new part can replace an old part, but an old part cannot replace a new part.

B: Not interchangeable.

C: Disused.

D: Newly added.

E: Compatible with eachother.

Q: Quantity per unit changed.

X: Included in this set of parts, this part is not used for this model.

Y: Part to be selected.

Z: This part can not be supplied as an individual part.

- (4) Part name  
Every part has its own proper name.
- (5) Q'ty  
The number shown in the column of Q'TY indicates the quantity of parts used per one unit machine.
- (6) Applicable Ser.No. (Serial Number)  
Ser.No. shows the machine number to which the part is applicable.  
Month and year stated in column "Ser.No." show the month and year from which the part is applicable.
- (7) Change column  
M1, M2, ..... Mn mentioned in the column indicate the change of part number and the serial number of the unit, the part of which was modified.
- (8) Remarks  
This column "Remarks" mentions in mark or signal the specifications of each part, original part number of manufacturer, model name of the part for which is used and etc.  
[Example. SC:w. AFTER COOLER]

4. Abbreviations used in this catalog.

|        |               |        |                         |
|--------|---------------|--------|-------------------------|
| ass'y  | assembly      | L      | Length                  |
| C/H    | Change column | o & p  | overrun & parking brake |
| Comp.  | Compressor    | OPT.   | Option                  |
| Const. | Consisting of | Press. | Pressure                |
| Cont.  | Control       | SPC/S. | Special specifications  |
| Cyl.   | Cylinder      | STD.   | Standards               |
| Eng.   | Engine        | T or t | Thickness               |
| EXP.   | Export        | w.     | with                    |
| Incl.  | Including     | w/o    | without                 |

NOTE : We are always engaged in improving our products. So there may be some changes of the product which are not yet mentioned in this parts catalog. Therefore, in necessary case, we issue a revision in which such changes are added. When you have any question on the parts catalog, please ask your nearest dealer or directly us.

# 目 次 CONTENTS

| 図 番 号<br>FIG. NO. | 図 名 称<br>FIG. NAME                   | 頁<br>PAGE            |         |
|-------------------|--------------------------------------|----------------------|---------|
| 21 - 00           | AIR END                              | エア エンド               | 21- 1~3 |
| 22 - 00           | UNLOADER                             | アンローダ                | 22- 1~3 |
| 31 - 00           | MOUNTING & INTAKE                    | マウンティング, インテーク       | 31- 1~2 |
| 33 - 00           | RECEIVER, SEPARATOR & SERVICE HEADER | レシーバ, セパレータ, サービスヘッダ | 33- 1~3 |
| 33 - 01           | PRESSURE CONTROL VALVE               | 圧力コントロールバルブ          | 33- 4   |
| 35 - 00           | SERVICE HEADER (WITH AFTER COOLER)   | サービスヘッダ (アフタクーラ付)    | 35- 1~3 |
| 36 - 00           | AIR LINE                             | エアライン                | 36- 1~2 |
| 36 - 01           | AIR LINE (HIGH PRESSURE TYPE)        | エアライン (高圧仕様)         | 36- 3~5 |
| 37 - 00           | OIL LINE                             | オイルライン               | 37- 1~2 |
| 38 - 00           | COOLING                              | クーリング                | 38- 1~3 |
| 39 - 00           | NAME PLATE                           | ネームプレート              | 39- 1~3 |
| 41 - 00           | ENGINE & EXHAUST                     | エンジン, エキゾースト         | 41- 1~2 |
| 43 - 00           | FUEL LINE                            | フュエルライン              | 43- 1~3 |
| 44 - 00           | ELECTRIC                             | エレクトリック              | 44- 1~3 |
| 51 - 00           | FRAME & BONNET                       | フレーム, ボンネット          | 51- 1~4 |
| 52 - 00           | LINING                               | ライニング                | 52- 1~2 |

## 型 式 名 の 見 方 HOW TO READ MODELS

P D S □ 4 0 0 S □ - 6 E 1  
 ① ② ③ ④ ⑤ ⑥ ⑦ ⑧ ⑨

- ① PD : PORTABLE DIESEL ENGINE
- ② S : SCREW (OIL-INJECTION)
- ③ No mark : 0.7MPa  
F : 1.03MPa / G : 1.4MPa
- ④ 400 : Free air delivery (cfm)
- ⑤ S : SILENT TYPE  
DP : DUAL PRESSURE TYPE
- ⑥ No mark : STANDARD TYPE  
C : AFTER COOLER TYPE
- ⑦ 6 : WIDE BODY
- ⑧ MODEL CHANGE MARK
- ⑨ VARIATION MARK

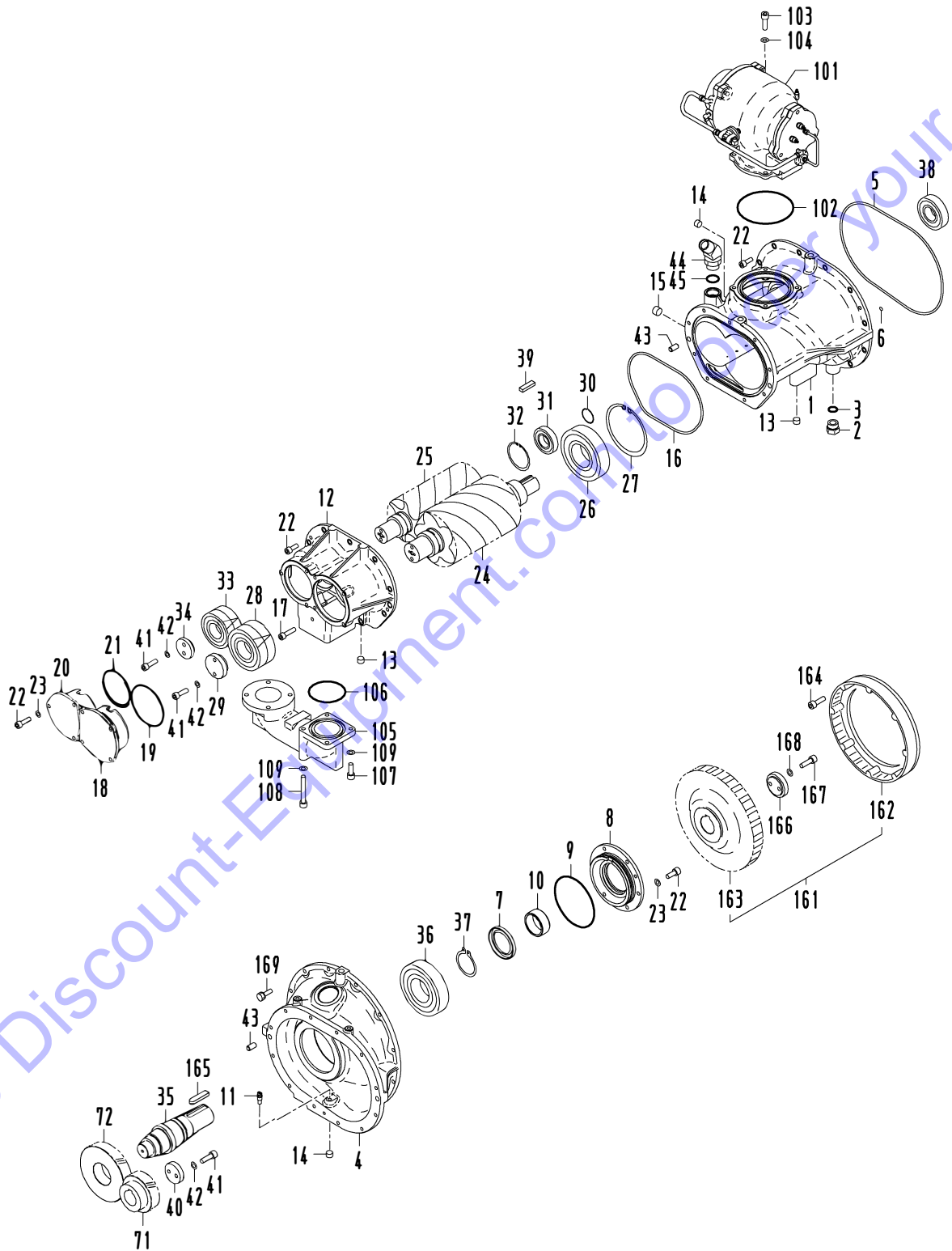
- ① PD : 可搬式, ディーゼルエンジン
- ② S : スクリュー (オイルインジェクション)
- ③ 無し : 0.7MPa  
F : 1.03MPa / G : 1.4MPa
- ④ 400 : 吐出空気量 (cfm)
- ⑤ S : 防音型  
DP : 圧力2段切替
- ⑥ 無し : 標準仕様  
C : アフタクーラ付
- ⑦ 6 : ワイドボディ
- ⑧ モデルチェンジ記号
- ⑨ バリエーション記号

# 目 次 CONTENTS

| 図 番 号<br>FIG. NO. | 図 名 称<br>FIG. NAME                                  | 頁<br>PAGE                     |
|-------------------|---|-------------------------------|
| —ENGINE PARTS—    |   |                               |
| 500000            | CRANKCASE   | クランクケース 1                     |
| 501000            | OIL PAN   | オイルパン 3                       |
| 501200            | DIPSTICK AND GUIDE                                  | オイルゲージ・ガイド 4                  |
| 502000            | CYLINDER HEAD                                       | シリンダヘッド 5                     |
| 503000            | INLET VALVE AND EXHAUST VALVE                       | インレットバルブ・エキゾーストバルブ 6          |
| 504000            | ROCKER ARM SHAFT                                    | ロッカアーム軸 7                     |
| 505000            | HEAD COVER  | ヘッドカバー 8                      |
| 508000            | GEAR CASE   | ギヤケース 9                       |
| 511000            | PISTON AND CRANKSHAFT                               | ピストン・クランク軸 10                 |
| 512000            | CAMSHAFT AND IDLE GEAR SHAFT                        | カム軸・アイドル軸 11                  |
| 514000            | BEARING CASE COVER                                  | ベアリングケースカバー 12                |
| 515000            | FLYWHEEL  | フライホイール 13                    |
| 526500            | SUPPLY PUMP   | サプライポンプ 14                    |
| 531001            | FUEL FILTER   | 燃料フィルタ 15                     |
| 531002            | FUEL FILTER   | 燃料フィルタ 16                     |
| 531500            | FUEL PIPE   | 燃料パイプ 17                      |
| 532500            | SEPARATOR   | セパレータ 18                      |
| 545000            | INJECTION PUMP                                      | 燃料噴射ポンプ 19                    |
| 547100            | FUEL PUMP (ELECTRICAL)                              | 燃料ポンプ (電気式) 20                |
| 548000            | COMMON RAIL   | コモンレール 21                     |
| 550000            | ALTERNATOR AND PULLEY                               | オルタネータ・プーリ 22                 |
| 551000            | ALTERNATOR [COMPONENT PARTS]                        | オルタネータ分解 23                   |
| 554000            | STARTER   | スタータ 24                       |
| 555000            | STARTER [COMPONENT PARTS]                           | スタータ分解 25                     |
| 557000            | SWITCH/SENSOR                                       | スイッチ・センサ 26                   |
| 557500            | INJECTOR HARNESS                                    | インジェクタハーネス 27                 |
| 558000            | WIRE HARNESS  | ワイヤハーネス 28                    |
| 558500            | WIRE HARNESS BRACKET                                | ワイヤハーネスブラケット 29               |
| 560000            | WATER FLANGE AND THERMOSTAT                         | ウォーターフランジ・サーモスタット 30          |
| 561000            | WATER PUMP  | ウォーターポンプ 31                   |
| 561200            | WATER PIPE  | ウォーターパイプ 32                   |
| 567000            | FAN AND PULLEY                                      | 冷却ファン・プーリ 33                  |
| 571000            | INLET MANIFOLD                                      | 吸気マニホールド 34                   |
| 571100            | AIR CLEANER FLANGE AND THROTTLE VALVE               | エアクリ・フランジ・スロットルバルブ 35         |
| 572000            | EXHAUST MANIFOLD                                    | 排気マニホールド 36                   |
| 572300            | EGR VALVE   | EGRバルブ 37                     |
| 572400            | EGR COOLER  | EGRクーラ 38                     |
| 572600            | TURBO CHARGER                                       | ターボチャージャ 39                   |
| 574000            | DIESEL PARTICULATE FILTER MUFFLER                   | ディーゼルバルブ・ダイキユレートフィルタマフラ 40    |
| 574200            | DIESEL PARTICULATE FILTER MUFFLER [COMPONENT PARTS] | ディーゼルバルブ・ダイキユレートフィルタマフラ分解 41  |
| 574300            | DIESEL PARTICULATE FILTER MUFFLER SENSOR            | ディーゼルバルブ・ダイキユレートフィルタマフラセンサ 42 |
| 574500            | PRESSURE PIPE                                       | 差圧パイプ 43                      |
| 575000            | SELECTIVE CATALYTIC REDUCTION MUFFLER               | セレクトティブカタリティックリダクションマフラ 44    |
| 576000            | BREATHER PIPE/SEPARATOR PIPE                        | ブレザパイプ・セパレータパイプ 46            |
| 576501            | OIL SEPARATOR                                       | オイルセパレータ 47                   |
| 576502            | OIL SEPARATOR [OPTION]                              | オイルセパレータ [オプション] 48           |
| 580000            | OIL PIPE (TURBO CHARGER)                            | オイルパイプ (ターボチャージャ) 49          |
| 582000            | OIL COOLER  | オイルクーラ 50                     |
| 583000            | OIL FILTER  | オイルフィルタ 51                    |
| 587000            | STARTER SWITCH                                      | スタータスイッチ 52                   |
| 587200            | ECU   | ECU 53                        |
| 588000            | ACCESSORIES AND SERVICE PARTS                       | 付属品・サービス部品 54                 |
| 589000            | LABEL AND OPERATOR'S MANUAL                         | 銘板・取扱説明書 55                   |
| 594000            | PISTON KIT [OPTION]                                 | ピストンキット [オプション] 56            |
| 597500            | HEAT INSULATION KIT [OPTION]                        | タンクサシイキット [オプション] 57          |
| 599000            | Diagmaster [OPTION]                                 | 診断ツールキット [オプション] 58           |

Go to [DiscountEquipment.com](http://DiscountEquipment.com) to order your parts





21 - 00 AIR END

| 見出番号<br>Ref. NO.                                   | 部品番号<br>Part NO. | 互換性<br>Inter-<br>change<br>ability | 部 品 名 称<br>Part Name | 数量<br>Q'ty     | 適用号機範囲<br>Applicable Ser. No. |       |       |   |  | 変更<br>C/H | 備 考<br>Remarks |
|--|------------------|------------------------------------|----------------------|----------------|-------------------------------|-------|-------|---|--|-----------|----------------|
|  |                  |                                    |                      |                | S400                          | F375  | G310  |   |  |           |                |
| 21 - 00      COMPRESSION GROUP      コンプレッショングループ   |                  |                                    |                      |                |                               |       |       |   |  |           |                |
| 1  | 21201 45802      |                                    | Cylinder, 1st        | シリンダ*          | 1                             | ◎     | ◎     |   |  |           |                |
| 1  | 21201 48800      |                                    | Cylinder, 1st        | シリンダ*          | 1                             |       |       | ◎ |  |           |                |
| 2  | 33238 02000      |                                    | Plug                 | プラグ*           | 1                             |       |       |   |  |           | Incl. No. 3    |
| 3  | 03402 25024      |                                    | O-ring               | O-リング*         | 1                             |       |       |   |  |           |                |
| 4  | 21214 19100      |                                    | Casing, power side   | パワー サイド ケーシング* | 1                             |       |       |   |  |           |                |
| 5  | 21221 05300      |                                    | O-ring               | O-リング*         | 1                             |       |       |   |  |           |                |
| 6  | 22314 06400      |                                    | O-ring               | O-リング*         | 1                             |       |       |   |  |           |                |
| 7  | 21211 13302      |                                    | Oil seal             | オイル シール        | 1                             |       |       |   |  |           |                |
| 8  | 21212 21100      |                                    | Cover, oil seal      | オイル シール カバー    | 1                             |       |       |   |  |           |                |
| 9  | 03402 15150      |                                    | O-ring               | O-リング*         | 1                             |       |       |   |  |           |                |
| 10   | 21465 07000      |                                    | Collar               | カラー            | 1                             |       |       |   |  |           |                |
| 11   | 21207 03800      |                                    | Nozzle               | ノズル            | 1                             |       |       |   |  |           |                |
| 12   | 21217 35401      |                                    | Casing, discharge    | ディスチャージ ケーシング* | 1                             | ◎     | ◎     |   |  |           |                |
| 12   | 21217 38000      |                                    | Casing, discharge    | ディスチャージ ケーシング* | 1                             |       |       | ◎ |  |           |                |
| 13   | 03620 60002      |                                    | Plug                 | プラグ*           | 7                             |       |       |   |  |           |                |
| 14   | 03620 60003      |                                    | Plug                 | プラグ*           | 2                             |       |       |   |  |           |                |
| 15   | 03620 60004      |                                    | Plug                 | プラグ*           | 1                             |       |       |   |  |           |                |
| 16   | 21221 05200      |                                    | O-ring               | O-リング*         | 1                             |       |       |   |  |           |                |
| 17   | 02280 10045      |                                    | Socket bolt          | ソケット ボルト       | 2                             |       |       |   |  |           |                |
| 18   | 21218 36100      |                                    | End cover            | エンド カバー        | 1                             |       |       |   |  |           |                |
| 19   | 03402 15125      |                                    | O-ring               | O-リング*         | 1                             |       |       |   |  |           |                |
| 20   | 21218 36200      |                                    | End cover            | エンド カバー        | 1                             |       |       |   |  |           |                |
| 21   | 03402 15105      |                                    | O-ring               | O-リング*         | 1                             |       |       |   |  |           |                |
| 22   | 02280 10030      |                                    | Socket bolt          | ソケット ボルト       | 32                            |       |       |   |  |           |                |
| 23   | 03115 40010      |                                    | Spring washer        | スプリング ワッシャ     | 13                            |       |       |   |  |           |                |
| 24   | 21461 36900      |                                    | Rotor, male          | オスロータ          | 1                             | ~0229 | ~0151 | - |  |           |                |
| 24 -1  | 21461 39200      | B                                  | Rotor, male          | オスロータ          | 1                             | 0230~ | 0152~ | ◎ |  |           | M489           |
| 25   | 21462 27200      |                                    | Rotor, female        | メスロータ          | 1                             |       |       |   |  |           |                |
| ロータは、オス・メス一対でご注文下さい                                |                  |                                    |                      |                |                               |       |       |   |  |           |                |
| A pair of rotor (male & female) should be ordered. |                  |                                    |                      |                |                               |       |       |   |  |           |                |
| 26   | 21406 43800      |                                    | Bearing, rotor       | ロータ ベアリング*     | 1                             |       |       |   |  |           |                |
| 27   | 03413 20160      |                                    | Snap ring            | スナップ リング*      | 1                             |       |       |   |  |           |                |
| 28   | 21470 17600      |                                    | Bearing, complete    | ベアリング*, コンプリート | 1                             |       |       |   |  |           |                |
| 29   | 21468 19901      |                                    | Plate                | プレート           | 1                             |       |       |   |  |           |                |
| 30   | 03413 40040      |                                    | Snap ring            | スナップ リング*      | 1                             |       |       |   |  |           |                |
| 31   | 21406 28400      | Y                                  | Bearing, rotor       | ロータ ベアリング*     | 1                             | ~0229 | ~0151 | - |  |           |                |
| 31 -1  | 21406 45400      | Y                                  | Bearing, rotor       | ロータ ベアリング*     | 1                             | 0230~ | 0152~ | ◎ |  |           | M492           |
| 31   | 21406 30400      | Y                                  | Bearing, rotor       | ロータ ベアリング*     | 1                             |       |       |   |  |           |                |
| 32   | 03413 20080      |                                    | Snap ring            | スナップ リング*      | 1                             |       |       |   |  |           |                |
| 33   | 21470 17700      |                                    | Bearing, complete    | ベアリング*, コンプリート | 1                             |       |       |   |  |           |                |
| 34   | 21468 01300      |                                    | Plate                | プレート           | 1                             |       |       |   |  |           |                |
| 35   | 21411 10400      |                                    | Shaft                | シャフト           | 1                             |       |       |   |  |           |                |
| 36   | 03410 06315      |                                    | Bearing              | ベアリング*         | 1                             |       |       |   |  |           |                |
| 37   | 03413 10075      |                                    | Snap ring            | スナップ リング*      | 1                             |       |       |   |  |           |                |
| 38   | 21406 43100      |                                    | Bearing              | ベアリング*         | 1                             | ~0207 | ~0118 | - |  |           |                |
| 38 -1  | 21406 45200      | A                                  | Bearing              | ベアリング*         | 1                             | 0208~ | 0119~ | ◎ |  |           | M480           |
| 39   | 03306 14050      |                                    | Key                  | キー             | 1                             | ~0229 | ~0151 | - |  |           |                |
| 39 -1  | 03306 16050      | B                                  | Key                  | キー             | 1                             | 0230~ | 0152~ | ◎ |  |           | M489           |
| 40   | 21468 03500      |                                    | Plate                | プレート           | 1                             |       |       |   |  |           |                |
| 41   | 02280 10040      |                                    | Socket bolt          | ソケット ボルト       | 6                             |       |       |   |  |           |                |
| 42   | 03115 30010      |                                    | Lock washer          | ロック ワッシャ       | 6                             |       |       |   |  |           |                |

21 - 00 AIR END

| 見出番号<br>Ref. NO. | 部品番号<br>Part NO. | 互換性<br>Inter-<br>change<br>ability | 部 品 名 称<br>Part Name |          | 数量<br>Q'ty | 適用号機範囲<br>Applicable Ser. No. |      |      |  |  | 変更<br>C/H | 備 考<br>Remarks |
|------------------|------------------|------------------------------------|----------------------|----------|------------|-------------------------------|------|------|--|--|-----------|----------------|
|                  |                  |                                    |                      |          |            | S400                          | F375 | G310 |  |  |           |                |
| 43               | 03316 14028      |                                    | Pin                  | ピン       | 4          |                               |      |      |  |  |           |                |
| 44               | GD920 14200      |                                    | Nipple elbow         | ニップル エルボ | 1          |                               |      |      |  |  |           | Incl. No. 45   |
| 45               | 03402 25029      |                                    | O-ring               | O-リング    | 1          |                               |      |      |  |  |           |                |

21 - 01 COMPRESSION GROUP コンプレッショングループ

|       |             |   |              |        |   |       |  |   |   |  |      |  |
|-------|-------------|---|--------------|--------|---|-------|--|---|---|--|------|--|
| 71    | 21467 47700 |   | Gear, driven | ドリブンギヤ | 1 | ~0229 |  |   |   |  |      |  |
| 71 -1 | 21467 52700 | B | Gear, driven | ドリブンギヤ | 1 | 0230~ |  |   |   |  | M489 |  |
| 71    | 21467 50400 |   | Gear, driven | ドリブンギヤ | 1 | ~0151 |  |   |   |  |      |  |
| 71 -1 | 21467 52800 | B | Gear, driven | ドリブンギヤ | 1 | 0152~ |  |   |   |  | M489 |  |
| 71    | 21467 52500 |   | Gear, driven | ドリブンギヤ | 1 |       |  |   | ◎ |  |      |  |
| 72    | 21469 37300 |   | Gear, drive  | ドライブギヤ | 1 |       |  |   | ◎ |  |      |  |
| 72    | 21469 40000 |   | Gear, drive  | ドライブギヤ | 1 |       |  | ◎ |   |  |      |  |
| 72    | 21469 41300 |   | Gear, drive  | ドライブギヤ | 1 |       |  |   | ◎ |  |      |  |

シャフトとギヤは、一対でご注文下さい

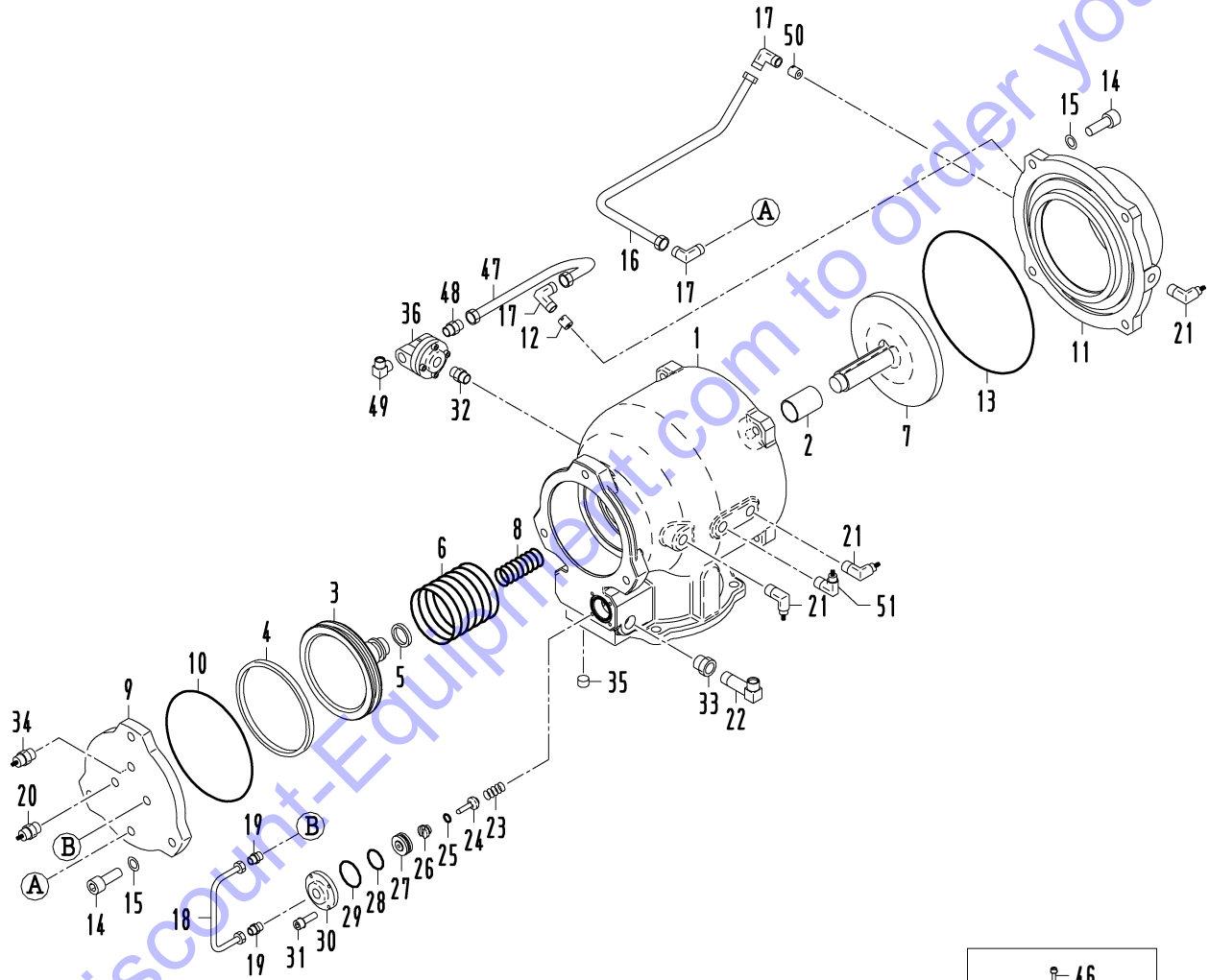
Shaft & gear should be ordered in pairs.

22 - 00 VALVE GROUP バルブグループ

|     |             |  |                 |            |   |   |   |   |  |  |  |               |
|-----|-------------|--|-----------------|------------|---|---|---|---|--|--|--|---------------|
| 101 | 22100 48501 |  | Unloader ass'y  | アンローダ      | 1 | ◎ | ◎ |   |  |  |  | See page 22-1 |
| 101 | 22100 50501 |  | Unloader ass'y  | アンローダ      | 1 |   |   | ◎ |  |  |  | See page 22-1 |
| 102 | 03402 15150 |  | O-ring          | O-リング      | 1 |   |   |   |  |  |  |               |
| 103 | 02280 10030 |  | Socket bolt     | ソケットボルト    | 4 |   |   |   |  |  |  |               |
| 104 | 03115 30010 |  | Lock washer     | ロックワッシャ    | 4 |   |   |   |  |  |  |               |
| 105 | 22311 10202 |  | Discharge elbow | ディスチャージエルボ | 1 |   |   |   |  |  |  |               |
| 106 | 03402 25095 |  | O-ring          | O-リング      | 1 |   |   |   |  |  |  |               |
| 107 | 02280 10035 |  | Socket bolt     | ソケットボルト    | 2 |   |   |   |  |  |  |               |
| 108 | 02280 10120 |  | Socket bolt     | ソケットボルト    | 2 |   |   |   |  |  |  |               |
| 109 | 03115 40010 |  | Spring washer   | スプリングワッシャ  | 4 |   |   |   |  |  |  |               |

61 - 00 COUPLING GROUP カップリンググループ

|     |             |  |                   |              |    |  |  |  |  |  |  |                    |
|-----|-------------|--|-------------------|--------------|----|--|--|--|--|--|--|--------------------|
| 161 | 61123 03900 |  | Coupling complete | カップリングコンプリート | 1  |  |  |  |  |  |  | Const. No. 162~163 |
| 162 | 61121 09200 |  | Coupling, drive   | カップリング、ドライブ  | 1  |  |  |  |  |  |  |                    |
| 163 | 21420 19100 |  | Coupling, driven  | カップリング、ドリブン  | 1  |  |  |  |  |  |  |                    |
| 164 | 61136 01800 |  | Bolt              | ボルト          | 8  |  |  |  |  |  |  |                    |
| 165 | 03307 18080 |  | Key               | キー           | 1  |  |  |  |  |  |  |                    |
| 166 | 21468 16900 |  | Plate             | プレート         | 1  |  |  |  |  |  |  |                    |
| 167 | 02282 10040 |  | Socket bolt       | ソケットボルト      | 2  |  |  |  |  |  |  |                    |
| 168 | 03115 30010 |  | Lock washer       | ロックワッシャ      | 2  |  |  |  |  |  |  |                    |
| 169 | 02238 10030 |  | Bolt, w/w         | ワッシャ付ボルト     | 12 |  |  |  |  |  |  |                    |



|  |    |
|--|----|
|  | 46 |
|  | 45 |
|  | 44 |
|  | 43 |
|  | 42 |
|  | 41 |
|  | 40 |
|  | 39 |
|  | 38 |
|  | 37 |

**DETAIL NO. 36**

22 - 00 UNLOADER

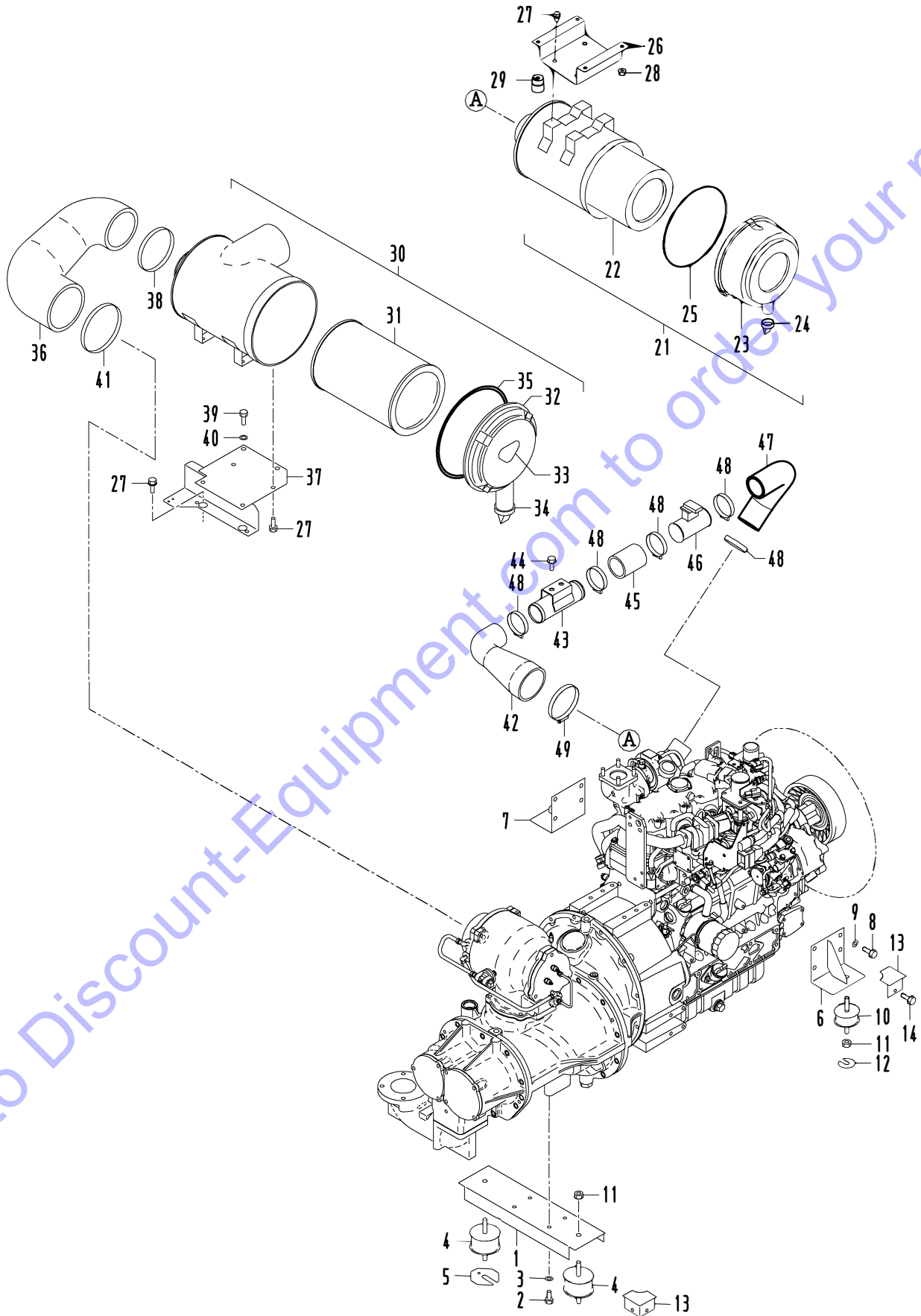
| 見出番号<br>Ref. NO. | 部品番号<br>Part NO. | 互換性<br>Inter-<br>change<br>ability | 部 品 名 称<br>Part Name    |              | 数量<br>Q'ty | 適用号機範囲<br>Applicable Ser. No. |       |       |  |  | 変更<br>C/H        | 備 考<br>Remarks |
|------------------|------------------|------------------------------------|-------------------------|--------------|------------|-------------------------------|-------|-------|--|--|------------------|----------------|
|                  |                  |                                    |                         |              |            | S400                          | F375  | G310  |  |  |                  |                |
|                  | 22100 48501      |                                    | UNLOADER ASS'Y          | アンローダ*       |            | ◎                             | ◎     |       |  |  |                  |                |
|                  | 22100 50501      |                                    | UNLOADER ASS'Y          | アンローダ*       |            |                               |       | ◎     |  |  |                  |                |
| 1                | 22111 32801      |                                    | Body, unloader          | アンローダ* ボディ   | 1          |                               |       |       |  |  |                  |                |
| 2                | 23124 14100      |                                    | Bushing                 | ブッシング*       | 1          |                               |       |       |  |  |                  |                |
| 3                | 22130 10000      |                                    | Piston, unloader        | アンローダ* ピストン  | 1          |                               |       |       |  |  |                  |                |
| 4                | 21441 05400      |                                    | O-ring                  | O-リング*       | 1          |                               |       |       |  |  |                  |                |
| 5                | 21441 05300      |                                    | O-ring                  | O-リング*       | 1          |                               |       |       |  |  |                  |                |
| 6                | 22144 11600      |                                    | Spring                  | スプリング*       | 1          |                               |       |       |  |  |                  |                |
| 7                | 22150 15700      |                                    | Valve, unloader         | アンローダ* バルブ*  | 1          |                               |       |       |  |  |                  |                |
| 8                | 22144 15200      |                                    | Spring                  | スプリング*       | 1          |                               |       |       |  |  |                  |                |
| 9                | 22115 13701      |                                    | Cover, unloader         | アンローダ* カバー   | 1          |                               |       |       |  |  |                  |                |
| 10               | 03402 15135      |                                    | O-ring                  | O-リング*       | 1          |                               |       |       |  |  |                  |                |
| 11               | 22115 15101      |                                    | Cover, unloader         | アンローダ* カバー   | 1          |                               |       |       |  |  |                  |                |
| 12               | 22123 04300      |                                    | Orifice                 | オリフィス        | 1          |                               |       |       |  |  |                  |                |
| 13               | 03402 15170      |                                    | O-ring                  | O-リング*       | 1          |                               |       |       |  |  |                  |                |
| 14               | 02280 10035      |                                    | Socket bolt             | ソケットボルト      | 7          |                               |       |       |  |  |                  |                |
| 15               | 03115 30010      |                                    | Lock washer             | ロックワッシャ      | 7          |                               |       |       |  |  |                  |                |
| 16               | 36388 02300      |                                    | Pipe                    | パイプ*         | 1          | ~0233                         | ~0151 | ~0056 |  |  |                  |                |
| 16 -1            | 36388 04400      | B                                  | Pipe                    | パイプ*         | 1          | 0234~                         | 0152~ | 0057~ |  |  | M547             |                |
| 17               | 03734 53020      |                                    | Nipple elbow            | ニップルエルボ*     | 3          | ~0233                         | ~0151 | ~0056 |  |  |                  |                |
| 17 -1            | 03734 71020      | B                                  | Nipple elbow            | ニップルエルボ*     | 3          | 0234~                         | 0152~ | 0057~ |  |  | M547             |                |
| 18               | 36352 11301      |                                    | Pipe                    | パイプ*         | 1          | ~0233                         | ~0151 | ~0056 |  |  |                  |                |
| 18 -1            | 36352 12700      | B                                  | Pipe                    | パイプ*         | 1          | 0234~                         | 0152~ | 0057~ |  |  | M547             |                |
| 19               | 03734 52021      |                                    | Nipple                  | ニップル         | 2          | ~0233                         | ~0151 | ~0056 |  |  |                  |                |
| 19 -1            | 03734 70021      | B                                  | Nipple                  | ニップル         | 2          | 0234~                         | 0152~ | 0057~ |  |  | M547             |                |
| 20               | 03734 20032      |                                    | Nipple                  | ニップル         | 1          |                               |       |       |  |  |                  |                |
| 21               | 03734 21020      |                                    | Nipple elbow            | ニップルエルボ*     | 3          |                               |       |       |  |  |                  |                |
| 22               | 03734 44102      |                                    | Nipple elbow            | ニップルエルボ*     | 1          |                               |       |       |  |  |                  |                |
| 23               | 22144 10600      |                                    | Spring                  | スプリング*       | 1          |                               |       |       |  |  |                  |                |
| 24               | 36429 01600      |                                    | Needle valve            | ニードルバルブ*     | 1          |                               |       |       |  |  |                  |                |
| 25               | 03402 25008      |                                    | O-ring                  | O-リング*       | 1          |                               |       |       |  |  |                  |                |
| 26               | 36428 01100      |                                    | Valve seat              | バルブシート       | 1          |                               |       |       |  |  |                  |                |
| 27               | 36623 00900      |                                    | Piston                  | ピストン         | 1          |                               |       |       |  |  |                  |                |
| 28               | 03402 25021      |                                    | O-ring                  | O-リング*       | 1          |                               |       |       |  |  |                  |                |
| 29               | 21221 02100      |                                    | O-ring                  | O-リング*       | 1          |                               |       |       |  |  |                  |                |
| 30               | 36621 01900      |                                    | Cover                   | カバー          | 1          |                               |       |       |  |  |                  |                |
| 31               | 02270 04012      |                                    | Socket bolt, w/w        | ワッシャ付ソケットボルト | 4          |                               |       |       |  |  |                  |                |
| 32               | 03731 44002      |                                    | Nipple                  | ニップル         | 1          |                               |       |       |  |  |                  |                |
| 33               | 03732 10302      |                                    | Bush                    | ブッシュ         | 1          |                               |       |       |  |  |                  |                |
| 34               | 03734 20020      |                                    | Nipple                  | ニップル         | 1          |                               |       |       |  |  |                  |                |
| 35               | 03620 60002      |                                    | Plug                    | プラグ*         | 1          |                               |       |       |  |  |                  |                |
| 36               | 36600 03503      |                                    | Auto-relief valve ass'y | オートレリーフバルブ*  | 1          |                               |       |       |  |  | Const. No. 37~46 |                |
| 37               | 36610 00401      |                                    | Body                    | ボディ          | 1          |                               |       |       |  |  |                  |                |
| 38               | 21221 02100      |                                    | O-ring                  | O-リング*       | 1          |                               |       |       |  |  |                  |                |
| 39               | 22144 10600      |                                    | Spring                  | スプリング*       | 1          |                               |       |       |  |  |                  |                |
| 40               | 36429 01600      |                                    | Needle valve            | ニードルバルブ*     | 1          |                               |       |       |  |  |                  |                |
| 41               | 03402 25008      |                                    | O-ring                  | O-リング*       | 1          |                               |       |       |  |  |                  |                |
| 42               | 36428 01100      |                                    | Valve seat              | バルブシート       | 1          |                               |       |       |  |  |                  |                |
| 43               | 36623 00900      |                                    | Piston, auto-relief     | ピストン         | 1          |                               |       |       |  |  |                  |                |
| 44               | 03402 25021      |                                    | O-ring                  | O-リング*       | 1          |                               |       |       |  |  |                  |                |
| 45               | 36621 01900      |                                    | Cover                   | カバー          | 1          |                               |       |       |  |  |                  |                |

22 - 00 UNLOADER

| 見出番号<br>Ref. NO. | 部品番号<br>Part NO. | 互換性<br>Inter-<br>change<br>ability | 部品名称<br>Part Name |               | 数量<br>Q'ty | 適用号機範囲<br>Applicable Ser. No. |       |       |  |  | 変更<br>C/H | 備考<br>Remarks |
|------------------|------------------|------------------------------------|-------------------|---------------|------------|-------------------------------|-------|-------|--|--|-----------|---------------|
|                  |                  |                                    |                   |               |            | S400                          | F375  | G310  |  |  |           |               |
| 46               | 02270 04012      |                                    | Socket bolt, w/w  | ワッシャ付ソケット ボルト | 4          |                               |       |       |  |  |           |               |
| 47               | 36349 23400      |                                    | Pipe              | パイプ           | 1          | ~0233                         | ~0151 | ~0056 |  |  |           |               |
| 47 -1            | 36349 23700      | B                                  | Pipe              | パイプ           | 1          | 0234~                         | 0152~ | 0057~ |  |  | M547      |               |
| 48               | 03734 52020      |                                    | Nipple            | ニップル          | 1          | ~0233                         | ~0151 | ~0056 |  |  |           |               |
| 48 -1            | 03734 70020      | B                                  | Nipple            | ニップル          | 1          | 0234~                         | 0152~ | 0057~ |  |  | M547      |               |
| 49               | 03734 44002      |                                    | Nipple elbow      | ニップル エルボ      | 1          |                               |       |       |  |  |           |               |
| 50               | 22123 03100      |                                    | Orifice           | オリフィス         | 1          |                               |       |       |  |  |           |               |
| 51               | 03734 21020      |                                    | Nipple elbow      | ニップル エルボ      | 3          | ◎                             | ◎     |       |  |  |           |               |
| 51               | 03734 44002      |                                    | Nipple elbow      | ニップル エルボ      | 3          |                               |       | ◎     |  |  |           |               |

Go to Discount-Equipment.com to order your parts

31 - 00 MOUNTING & INTAKE

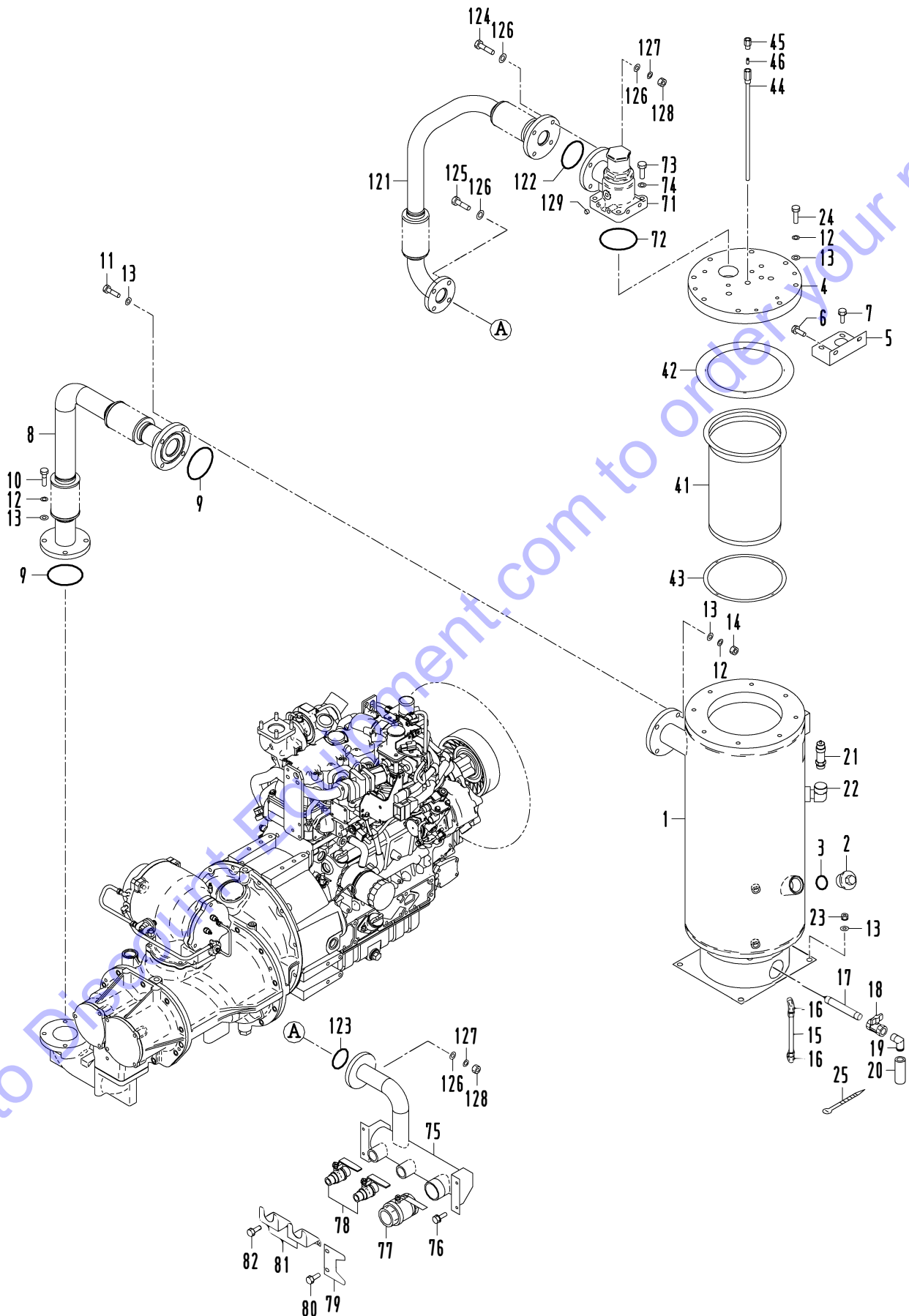


31 - 00 MOUNTING & INTAKE

| 見出番号<br>Ref. NO. | 部品番号<br>Part NO. | 互換性<br>Inter-<br>change<br>ability | 部 品 名 称<br>Part Name      |                   | 数量<br>Q'ty | 適用号機範囲<br>Applicable Ser. No. |      |      |  | 変更<br>C/H | 備 考<br>Remarks   |
|------------------|------------------|------------------------------------|---------------------------|-------------------|------------|-------------------------------|------|------|--|-----------|------------------|
|                  |                  |                                    |                           |                   |            | S400                          | F375 | G310 |  |           |                  |
| 31 - 00          |                  |                                    | MOUNTING GROUP            | マウンティング グループ      |            |                               |      |      |  |           |                  |
| 1                | 31110 14011      |                                    | Bracket                   | ブ ラケッ ト           | 1          |                               |      |      |  |           |                  |
| 2                | 02135 10025      |                                    | Bolt                      | ボ ル ト             | 4          |                               |      |      |  |           |                  |
| 3                | 03115 02010      |                                    | Spring washer             | ス プ リン グ ワッ シ ャ   | 4          |                               |      |      |  |           |                  |
| 4                | 31130 28600      |                                    | Vibration isolator ass'y  | 防 振 コ ー ム         | 2          |                               |      |      |  |           |                  |
| 5                | 31122 09500      |                                    | Shim                      | シ ム               | 1          |                               |      |      |  |           |                  |
| 6                | 31110 14110      |                                    | Bracket                   | ブ ラケッ ト           | 1          |                               |      |      |  |           |                  |
| 7                | 31110 14210      |                                    | Bracket                   | ブ ラケッ ト           | 1          |                               |      |      |  |           |                  |
| 8                | 02102 12025      |                                    | Bolt                      | ボ ル ト             | 8          |                               |      |      |  |           |                  |
| 9                | 03115 02012      |                                    | Spring washer             | ス プ リン グ ワッ シ ャ   | 8          |                               |      |      |  |           |                  |
| 10               | 31130 22400      |                                    | Vibration isolator ass'y  | 防 振 コ ー ム         | 2          |                               |      |      |  |           |                  |
| 11               | 02915 20012      |                                    | Nut, w/w                  | ワッ シ ャ 付 ナ ッ ト    | 8          |                               |      |      |  |           |                  |
| 12               | 31120 08900      |                                    | Shim                      | シ ム               | 2          |                               |      |      |  |           |                  |
| 13               | 31110 15110      |                                    | Bracket                   | ブ ラケッ ト           | 4          |                               |      |      |  |           |                  |
| 14               | 02201 08020      |                                    | Flange bolt               | フ ラ ン ジ 付 ボ ル ト   | 8          |                               |      |      |  |           |                  |
| 32 - 00          |                  |                                    | INTAKE GROUP              | インテーク グループ        |            |                               |      |      |  |           |                  |
| 21               | 32100 41900      |                                    | Air filter ass'y          | エ ア フィ ル タ        | 1          |                               |      |      |  |           | Const. No. 22~25 |
| 22               | 32143 12800      |                                    | Element                   | エ レ メ ン ト         | 1          |                               |      |      |  |           |                  |
| 23               | 32142 09300      |                                    | Cup                       | カ ッ プ             | 1          |                               |      |      |  |           |                  |
| 24               | 32151 01400      |                                    | Vacuator valve            | バ キ ュ エ ー タ バ ル ブ | 1          |                               |      |      |  |           |                  |
| 25               | 32147 02500      |                                    | O-ring                    | O-リ ン グ           | 1          |                               |      |      |  |           |                  |
| 26               | 32240 50700      |                                    | Bracket                   | ブ ラケッ ト           | 1          |                               |      |      |  |           |                  |
| 27               | 02248 10020      |                                    | Bolt, w/w                 | ワッ シ ャ 付 ボ ル ト    | 10         |                               |      |      |  |           |                  |
| 28               | 02915 20008      |                                    | Nut, w/w                  | ワッ シ ャ 付 ナ ッ ト    | 4          |                               |      |      |  |           |                  |
| 29               | 32148 03000      |                                    | Filter, service indicator | イ ン ジ ケ ー タ       | 1          |                               |      |      |  |           |                  |
| 30               | 32100 39700      |                                    | Air filter ass'y          | エ ア フィ ル タ        | 1          |                               |      |      |  |           | Const. No. 31~35 |
| 31               | 32143 12500      |                                    | Element                   | エ レ メ ン ト         | 1          |                               |      |      |  |           |                  |
| 32               | 32142 10700      |                                    | Cup                       | カ ッ プ             | 1          |                               |      |      |  |           |                  |
| 33               | 39148 05300      |                                    | Plate(top)                | プ レ ー ト           | 1          |                               |      |      |  |           |                  |
| 34               | 32151 01600      |                                    | Vacuator valve            | バ キュ エ ー タ バ ル ブ  | 1          |                               |      |      |  |           |                  |
| 35               | 32147 03100      |                                    | O-ring                    | O-リ ン グ           | 1          |                               |      |      |  |           |                  |
| 36               | 32331 89201      |                                    | Hose                      | ホ ー ス             | 1          |                               |      |      |  |           |                  |
| 37               | 32240 47700      |                                    | Bracket                   | ブ ラケッ ト           | 1          |                               |      |      |  |           |                  |
| 38               | 03511 20140      |                                    | Hose clip                 | ホ ー ス ク リ ッ プ     | 1          |                               |      |      |  |           |                  |
| 39               | 02102 12035      |                                    | Bolt                      | ボ ル ト             | 2          |                               |      |      |  |           |                  |
| 40               | 03115 02012      |                                    | Spring washer             | ス プ リン グ ワッ シ ャ   | 2          |                               |      |      |  |           |                  |
| 41               | 03511 20160      |                                    | Hose clip                 | ホ ー ス ク リ ッ プ     | 1          |                               |      |      |  |           |                  |
| 42               | 32331 94101      |                                    | Hose                      | ホ ー ス             | 1          |                               |      |      |  |           |                  |
| 43               | 32320 74800      |                                    | Pipe                      | パ イ プ             | 1          |                               |      |      |  |           |                  |
| 44               | 02248 12030      |                                    | Bolt, w/w                 | ワッ シ ャ 付 ボ ル ト    | 2          |                               |      |      |  |           |                  |
| 45               | 32331 91501      |                                    | Hose                      | ホ ー ス             | 1          |                               |      |      |  |           |                  |
| 46               | 32320 71300      |                                    | Pipe                      | パ イ プ             | 1          |                               |      |      |  |           |                  |
| 47               | 32331 89100      |                                    | Hose                      | ホ ー ス             | 1          |                               |      |      |  |           |                  |
| 48               | 03511 20080      |                                    | Hose clip                 | ホ ー ス ク リ ッ プ     | 5          |                               |      |      |  |           |                  |
| 49               | 03511 20120      |                                    | Hose clip                 | ホ ー ス ク リ ッ プ     | 1          |                               |      |      |  |           |                  |



33 - 00 RECEIVER , SEPARATOR & SERVICE HEADER



33 - 00 RECEIVER, SEPARATOR & SERVICE HEADER

| 見出番号<br>Ref. NO.                      | 部 品 番 号<br>Part NO. | 互換性<br>Inter-<br>change<br>ability | 部 品 名 称<br>Part Name    | 数量<br>Q'ty             | 適用号機範囲<br>Applicable Ser. No. |      |      |   |  | 変更<br>C/H | 備 考<br>Remarks |
|---------------------------------------|---------------------|------------------------------------|-------------------------|------------------------|-------------------------------|------|------|---|--|-----------|----------------|
|                                       |                     |                                    |                         |                        | S400                          | F375 | G310 |   |  |           |                |
| 33 - 00                               |                     |                                    | RECEIVER GROUP          | レシーバ <sup>®</sup> グループ |                               |      |      |   |  |           |                |
| 1                                     | 33100 92110         |                                    | Oil separator           | オイル セパレータ              | 1                             | ◎    | ◎    |   |  |           | ASME (EURE)    |
| 1                                     | 33100 98410         |                                    | Oil separator           | オイル セパレータ              | 1                             |      |      | ◎ |  |           | ASME (EURE)    |
| (Receiver tank) (Incl. No. 2, 4 & 24) |                     |                                    |                         |                        |                               |      |      |   |  |           |                |
| 2                                     | 33231 03900         |                                    | Cap                     | キャップ                   | 1                             |      |      |   |  |           | ASME (EURE)    |
| 3                                     | 03402 25040         |                                    | O-ring                  | O-リング                  | 1                             |      |      |   |  |           |                |
| 4                                     | 34250 36000         |                                    | Cover                   | カバー                    | 1                             |      |      |   |  |           | ASME (EURE)    |
| 5                                     | 33260 09500         |                                    | Bracket                 | ブラケット                  | 1                             |      |      |   |  |           |                |
| 6                                     | 02201 08020         |                                    | Flange bolt             | フランジ付ボルト               | 2                             |      |      |   |  |           |                |
| 7                                     | 02248 10030         |                                    | Bolt, w/w               | ワッシャ付ボルト               | 2                             |      |      |   |  |           |                |
| 8                                     | 33310 65700         |                                    | Pipe, discharge         | ディスチャージパイプ             | 1                             | ◎    |      |   |  |           |                |
| 8                                     | 33310 64400         |                                    | Pipe, discharge         | ディスチャージパイプ             | 1                             |      | ◎    | ◎ |  |           |                |
| 9                                     | 03402 25095         |                                    | O-ring                  | O-リング                  | 2                             |      |      |   |  |           |                |
| 10                                    | 02135 12040         |                                    | Bolt                    | ボルト                    | 4                             |      |      |   |  |           |                |
| 11                                    | 02135 12060         |                                    | Bolt                    | ボルト                    | 4                             |      |      |   |  |           |                |
| 12                                    | 03115 02012         |                                    | Spring washer           | スプリング ワッシャ             | 16                            |      |      |   |  |           |                |
| 13                                    | 03116 12012         |                                    | Plain washer            | プレーン ワッシャ              | 24                            |      |      |   |  |           |                |
| 14                                    | 02912 06012         |                                    | Nut                     | ナット                    | 4                             |      |      |   |  |           |                |
| 15                                    | 03841 30018         |                                    | Nylon tube, w/n         | ナット付ナイロンチューブ           | 1                             | ◎    | ◎    |   |  |           |                |
| 15                                    | 33200 01500         |                                    | Gauge ass'y             | ゲージ                    | 1                             |      |      | ◎ |  |           | Incl. No. 16   |
| 16                                    | 03734 21030         |                                    | Nipple elbow            | ニッフル エルボ               | 2                             | ◎    | ◎    |   |  |           |                |
| 16                                    | 33201 00600         |                                    | Bolt                    | ボルト                    | 2                             |      |      | ◎ |  |           |                |
| 17                                    | 03728 04140         |                                    | Pipe                    | パイプ                    | 1                             |      |      |   |  |           |                |
| 18                                    | 03735 13004         |                                    | Valve                   | バルブ                    | 1                             |      |      |   |  |           |                |
| 19                                    | 37730 02001         |                                    | Nipple                  | ニッフル                   | 1                             |      |      |   |  |           |                |
| 20                                    | 33241 09100         |                                    | Pipe                    | パイプ                    | 1                             |      |      |   |  |           |                |
| 21                                    | 35200 23900         |                                    | Safety valve ass'y      | 安全弁                    | 1                             | ◎    |      |   |  |           | (150psi)       |
| 21                                    | 35200 24500         |                                    | Safety valve ass'y      | 安全弁                    | 1                             |      | ◎    |   |  |           | (195psi)       |
| 21                                    | 35200 25200         |                                    | Safety valve ass'y      | 安全弁                    | 1                             |      |      | ◎ |  |           | (260psi)       |
| 22                                    | 37740 01400         |                                    | Elbow                   | エルボ                    | 1                             |      |      |   |  |           |                |
| 23                                    | 02915 20012         |                                    | Nut, w/w                | ワッシャ付ナット               | 4                             |      |      |   |  |           |                |
| 24                                    | 34262 03200         |                                    | Bolt                    | ボルト                    | 8                             |      |      |   |  |           | ASME (EURE)    |
| 25                                    | 03425 00001         |                                    | Vinyl clip              | ビニールクリップ               | 1                             |      |      |   |  |           |                |
| 34 - 00                               |                     |                                    | SEPARATOR GROUP         | セパレータ グループ             |                               |      |      |   |  |           |                |
| 41                                    | 34220 16501         |                                    | Separator ass'y         | セパレータ                  | 1                             |      |      |   |  |           |                |
| 42                                    | 34235 06000         |                                    | Gasket                  | ガスケット                  | 1                             |      |      |   |  |           |                |
| 43                                    | 34235 06100         |                                    | Gasket                  | ガスケット                  | 1                             |      |      |   |  |           |                |
| 44                                    | 37730 11000         |                                    | Nipple                  | ニッフル                   | 1                             |      |      |   |  |           |                |
| 45                                    | 37189 38800         |                                    | Bushing                 | ブッシング                  | 1                             |      |      |   |  |           |                |
| 46                                    | 37580 01900         |                                    | Strainer                | ストレーナ                  | 1                             |      |      |   |  |           |                |
| 35 - 00                               |                     |                                    | SERVICE HEADER GROUP    | サービスヘッダ グループ           |                               |      |      |   |  |           |                |
| 71                                    | 35300 18200         |                                    | Press. cont. vlv. ass'y | 圧力コントロールバルブ            | 1                             |      |      |   |  |           | See page 33-4  |
| 72                                    | 03402 25100         |                                    | O-ring                  | O-リング                  | 1                             |      |      |   |  |           |                |
| 73                                    | 02135 12050         |                                    | Bolt                    | ボルト                    | 4                             |      |      |   |  |           |                |
| 74                                    | 03115 02012         |                                    | Spring washer           | スプリング ワッシャ             | 4                             |      |      |   |  |           |                |
| 75                                    | 35100 58200         |                                    | Air manifold            | エアマニホールド               | 1                             | ◎    |      |   |  |           |                |
| 75                                    | 35100 56900         |                                    | Air manifold            | エアマニホールド               | 1                             |      |      |   |  |           |                |

33 - 00 RECEIVER, SEPARATOR & SERVICE HEADER

| 見出番号<br>Ref. NO. | 部品番号<br>Part NO. | 互換性<br>Inter-<br>change<br>ability | 部 品 名 称<br>Part Name | 数量<br>Q'ty | 適用号機範囲<br>Applicable Ser. No. |      |      |   |  | 変更<br>C/H | 備 考<br>Remarks |
|------------------|------------------|------------------------------------|----------------------|------------|-------------------------------|------|------|---|--|-----------|----------------|
|                  |                  |                                    |                      |            | S400                          | F375 | G310 |   |  |           |                |
| 76               | 02246 08025      |                                    | Bolt, w/w            | ワッシャ付ボルト   | 4                             |      |      |   |  |           |                |
| 77               | 35421 00903      |                                    | Air valve            | エアバルブ      | 1                             |      |      |   |  |           |                |
| 78               | 35421 00105      |                                    | Air valve            | エアバルブ      | 2                             |      |      |   |  |           |                |
| 79               | 35470 44900      |                                    | Bracket              | ブラケット      | 1                             |      |      |   |  |           |                |
| 80               | 02246 08025      |                                    | Bolt, w/w            | ワッシャ付ボルト   | 2                             |      |      |   |  |           |                |
| 81               | 35470 44801      |                                    | Bracket              | ブラケット      | 1                             |      |      |   |  |           |                |
| 82               | 02246 06016      |                                    | Bolt, w/w            | ワッシャ付ボルト   | 4                             |      |      |   |  |           |                |
| 38 - 00          |                  |                                    | COOLING GROUP        | クーリンググループ  |                               |      |      |   |  |           |                |
| 121              | 37160 79420      |                                    | Pipe                 | パイプ        | 1                             | ◎    | ◎    |   |  |           |                |
| 121              | 37160 86520      |                                    | Pipe                 | パイプ        | 1                             |      |      | ◎ |  |           |                |
| 122              | 03402 25080      |                                    | O-ring               | Oリング       | 1                             |      |      |   |  |           |                |
| 123              | 03402 15060      |                                    | O-ring               | Oリング       | 1                             |      |      |   |  |           |                |
| 124              | 02135 12055      |                                    | Bolt                 | ボルト        | 4                             |      |      |   |  |           |                |
| 125              | 02135 12050      |                                    | Bolt                 | ボルト        | 4                             |      |      |   |  |           |                |
| 126              | 03116 12012      |                                    | Plain washer         | プレーンワッシャ   | 16                            |      |      |   |  |           |                |
| 127              | 03115 02012      |                                    | Spring washer        | スプリングワッシャ  | 8                             |      |      |   |  |           |                |
| 128              | 02912 06012      |                                    | Nut                  | ナット        | 8                             |      |      |   |  |           |                |
| 129              | 03620 60002      |                                    | Plug                 | プラグ        | 5                             |      |      |   |  |           |                |

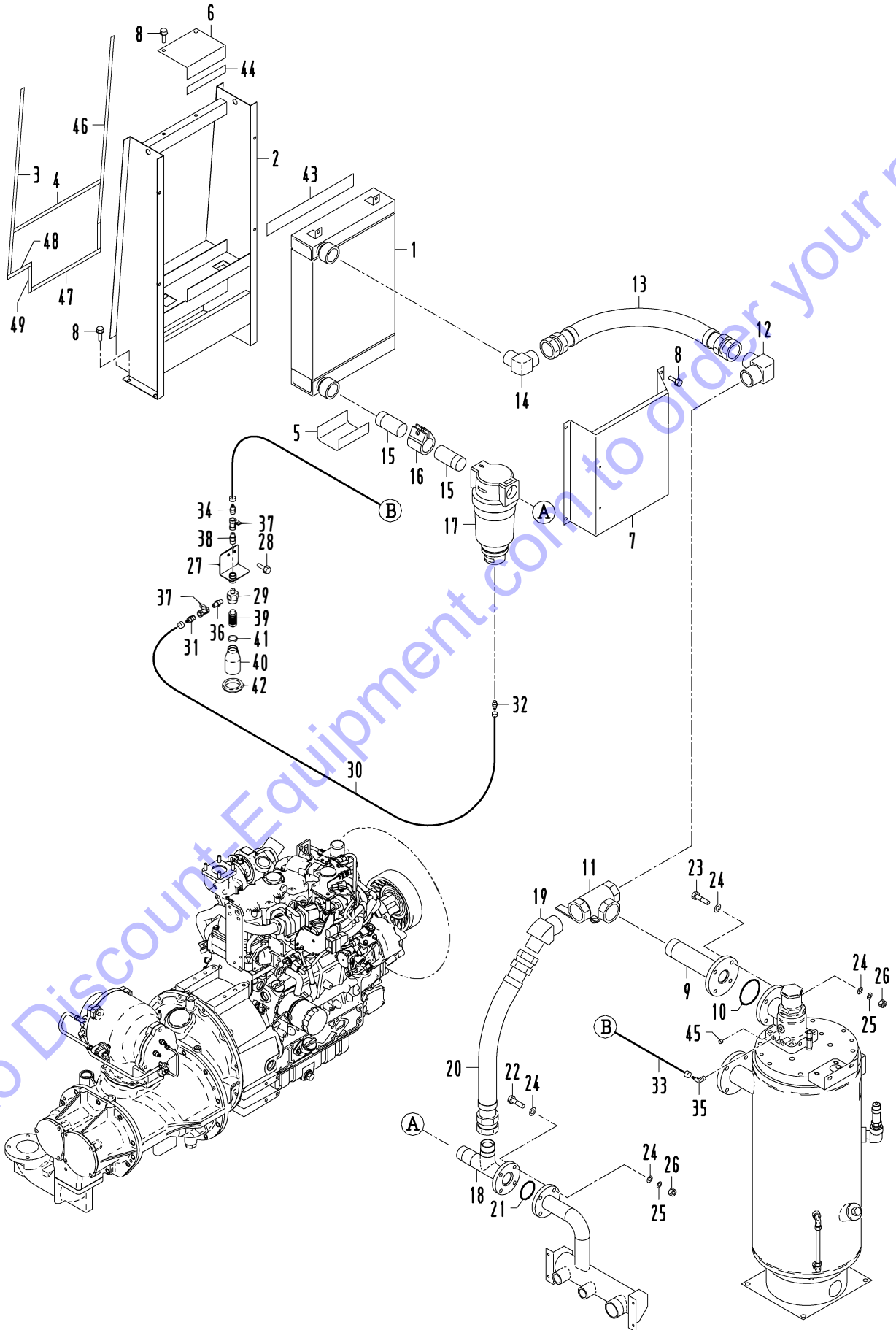
Go to Discount-Equipment.com to order your parts

33 - 01 PRESSURE CONTROL VALVE

| 見出番号<br>Ref. NO. | 部品番号<br>Part NO. | 互換性<br>Inter-<br>change<br>ability | 部 品 名 称<br>Part Name         |              | 数量<br>Q'ty | 適用号機範囲<br>Applicable Ser. No. |      |      |  |  | 変更<br>C/H | 備 考<br>Remarks |
|------------------|------------------|------------------------------------|------------------------------|--------------|------------|-------------------------------|------|------|--|--|-----------|----------------|
|                  |                  |                                    |                              |              |            | S400                          | F375 | G310 |  |  |           |                |
|                  | 35300 18200      |                                    | PRESSURE CONTROL VALVE ASS'Y | 圧力コントロールバルブ  |            |                               |      |      |  |  |           |                |
| 1                | 35301 23000      |                                    | Body                         | ボデー          | 1          |                               |      |      |  |  |           |                |
| 2                | 35302 05200      |                                    | Cover                        | カバー          | 1          |                               |      |      |  |  |           |                |
| 3                | 35302 05101      |                                    | Cover                        | カバー          | 1          |                               |      |      |  |  |           |                |
| 4                | 03402 15080      |                                    | O-ring                       | O-リング        | 1          |                               |      |      |  |  |           |                |
| 5                | 35303 09900      |                                    | Piston                       | ピストン         | 1          |                               |      |      |  |  |           |                |
| 6                | 21441 03700      |                                    | O-ring                       | O-リング        | 1          |                               |      |      |  |  |           |                |
| 7                | 22505 03300      |                                    | Ring,piston seal             | ピストン シール リング | 1          |                               |      |      |  |  |           |                |
| 8                | 35303 10500      |                                    | Piston                       | ピストン         | 1          |                               |      |      |  |  |           |                |
| 9                | 35304 03000      |                                    | Spring                       | スプリング        | 1          |                               |      |      |  |  |           |                |
| 10               | 35305 01300      |                                    | Spring seat                  | スプリング シート    | 2          |                               |      |      |  |  |           |                |

Go to Discount-Equipment.com to order your parts

35 - 00 SERVICE HEADER ( WITH AFTER COOLER )



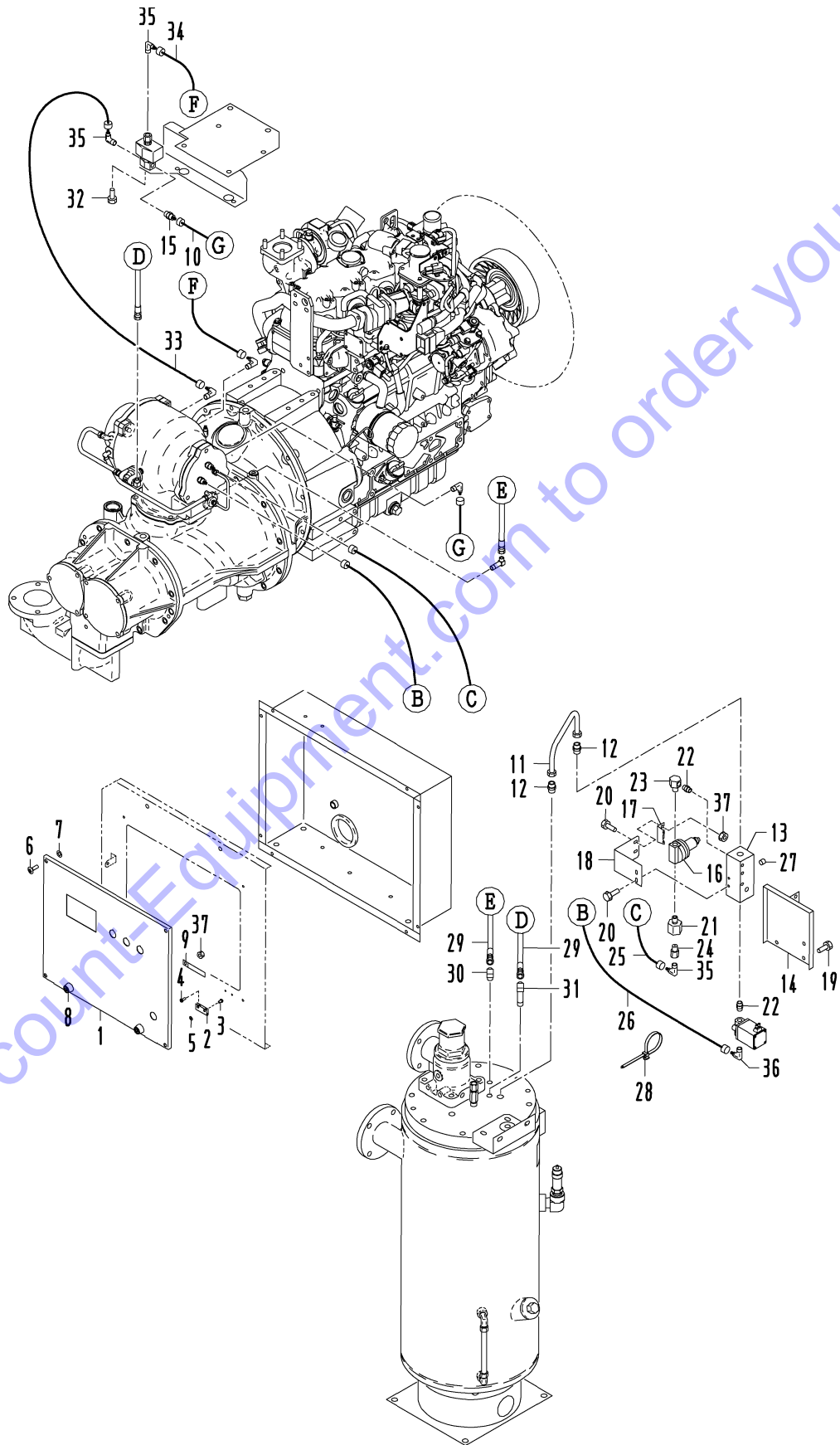
35 - 00 SERVICE HEADER WITH AFTER COOLER

| 見出番号<br>Ref. NO. | 部品番号<br>Part NO. | 互換性<br>Inter-<br>change<br>ability | 部 品 名 称<br>Part Name | 数量<br>Q'ty   | 適用号機範囲<br>Applicable Ser.No. |       |       |   |  | 変更<br>C/H | 備 考<br>Remarks |
|------------------|------------------|------------------------------------|----------------------|--------------|------------------------------|-------|-------|---|--|-----------|----------------|
|                  |                  |                                    |                      |              | S400                         | F375  | G310  |   |  |           |                |
|                  | 38 - 00          |                                    | COOLING GROUP        | クーリング グループ   |                              |       |       |   |  |           |                |
| 1                | 38900 07600      |                                    | Aftercooler          | アフタクーラ       | 1                            |       |       |   |  |           |                |
| 2                | 38300 42901      |                                    | Casing               | ケーシング        | 1                            |       |       |   |  |           |                |
| 3                | 03407 66909      |                                    | Seal rubber          | シール ラバー      | 1                            |       |       |   |  |           |                |
| 4                | 03407 66936      |                                    | Seal rubber          | シール ラバー      | 1                            |       |       |   |  |           |                |
| 5                | 38465 13900      |                                    | Cushion rubber       | クッション ラバー    | 1                            |       |       |   |  |           |                |
| 6                | 38420 04010      |                                    | Bracket              | ブラケット        | 1                            |       |       |   |  |           |                |
| 7                | 52370 20311      |                                    | Duct                 | ダクト          | 1                            |       |       |   |  |           |                |
| 8                | 02201 08020      |                                    | Flange bolt          | フランジ 付ボルト    | 10                           |       |       |   |  |           |                |
| 9                | 35430 19400      |                                    | Pipe                 | パイプ          | 1                            | ◎     |       |   |  |           |                |
| 9                | 35430 15500      |                                    | Pipe                 | パイプ          | 1                            |       | ◎     | ◎ |  |           |                |
| 10               | 03402 25080      |                                    | O-ring               | O-リング        | 1                            |       |       |   |  |           |                |
| 11               | 35483 05200      |                                    | Stop valve           | ストップバルブ      | 1                            |       |       |   |  |           |                |
| 12               | 03734 44016      |                                    | Nipple elbow         | ニップル エルボ     | 1                            |       |       |   |  |           |                |
| 13               | 37160 72220      |                                    | Pipe                 | パイプ          | 1                            |       |       |   |  |           |                |
| 14               | 03734 47164      |                                    | Nipple elbow         | ニップル エルボ     | 1                            |       |       |   |  |           |                |
| 15               | 37160 75320      |                                    | Pipe                 | パイプ          | 2                            |       |       |   |  |           |                |
| 16               | 33500 03400      |                                    | Coupling ass'y       | カップリング       | 1                            |       |       |   |  |           |                |
| 17               | 34200 06500      |                                    | Separator ass'y      | セパレータ        | 1                            |       |       |   |  |           |                |
| 18               | 35430 21500      |                                    | Pipe                 | パイプ          | 1                            | ◎     |       |   |  |           |                |
| 18               | 35430 21600      |                                    | Pipe                 | パイプ          | 1                            |       | ◎     | ◎ |  |           |                |
| 19               | 03734 48164      |                                    | Nipple elbow         | ニップル エルボ     | 1                            |       |       |   |  |           |                |
| 20               | 37160 73820      |                                    | Pipe                 | パイプ          | 1                            |       |       |   |  |           |                |
| 21               | 03402 15060      |                                    | O-ring               | O-リング        | 1                            |       |       |   |  |           |                |
| 22               | 02135 12050      |                                    | Bolt                 | ボルト          | 4                            |       |       |   |  |           |                |
| 23               | 02135 12055      |                                    | Bolt                 | ボルト          | 4                            |       |       |   |  |           |                |
| 24               | 03116 12012      |                                    | Plain washer         | プレーン ワッシャ    | 16                           |       |       |   |  |           |                |
| 25               | 03115 02012      |                                    | Spring washer        | スプリング ワッシャ   | 8                            |       |       |   |  |           |                |
| 26               | 02912 06012      |                                    | Nut                  | ナット          | 8                            |       |       |   |  |           |                |
| 27               | 38860 37100      |                                    | Bracket              | ブラケット        | 1                            |       |       |   |  |           |                |
| 28               | 02201 06016      |                                    | Flange bolt          | フランジ 付ボルト    | 2                            |       |       |   |  |           |                |
| 29               | 37731 12700      |                                    | Nipple               | ニップル         | 1                            |       |       |   |  |           |                |
| 30               | 03841 30048      |                                    | Nylon tube, w/n      | ナット付ナイロンチューブ | 1                            |       |       |   |  |           |                |
| 31               | 03734 20032      |                                    | Nipple               | ニップル         | 1                            |       |       |   |  |           |                |
| 32               | 03734 20032      |                                    | Nipple               | ニップル         | 1                            |       |       |   |  |           |                |
| 33               | 03840 20125      |                                    | Nylon tube, w/n      | ナット付ナイロンチューブ | 1                            |       |       |   |  |           |                |
| 34               | 03734 20020      |                                    | Nipple               | ニップル         | 1                            |       |       |   |  |           |                |
| 35               | 03734 21020      |                                    | Nipple elbow         | ニップル エルボ     | 1                            |       |       |   |  |           |                |
| 36               | 37731 11800      |                                    | Nipple               | ニップル         | 1                            |       |       |   |  |           |                |
| 37               | 03735 13002      |                                    | Valve                | バルブ          | 2                            |       |       |   |  |           |                |
| 38               | 03731 46203      |                                    | Nipple               | ニップル         | 1                            |       |       |   |  |           |                |
| 39               | 35440 03400      |                                    | Silencer             | サイレンサ        | 1                            |       |       |   |  |           |                |
| 40               | 38466 08400      |                                    | Pipe                 | パイプ          | 1                            |       |       |   |  |           |                |
| 41               | 03511 20040      |                                    | Hose clip            | ホース クリップ     | 1                            |       |       |   |  |           |                |
| 42               | 03402 00502      |                                    | Eyelet ring          | アイレット リング    | 1                            |       |       |   |  |           |                |
| 43               | 38465 13200      |                                    | Cushion rubber       | クッション ラバー    | 1                            |       |       |   |  |           |                |
| 44               | 38465 19400      |                                    | Cushion rubber       | クッション ラバー    | 1                            |       |       |   |  |           |                |
| 45               | 03620 60002      |                                    | Plug                 | プラグ          | 5                            |       |       |   |  |           |                |
| 46               | 03407 66909      |                                    | Seal rubber          | シール ラバー      | 1                            | ~0229 | ~0151 | - |  |           |                |
| 46 -1            | 03407 66927      | B                                  | Seal rubber          | シール ラバー      | 1                            | 0230~ | 0152~ | ◎ |  | M12       |                |
| 47               | 03407 66936      |                                    | Seal rubber          | シール ラバー      | 1                            | ~0229 | ~0151 | - |  |           |                |
| 47 -1            | 03407 66941      | B                                  | Seal rubber          | シール ラバー      | 1                            | 0230~ | 0152~ | ◎ |  | M12       |                |

35 - 00 SERVICE HEADER WITH AFTER COOLER

| 見出番号<br>Ref.NO. | 部品番号<br>Part NO. | 互換性<br>Inter-<br>change<br>ability | 部 品 名 称<br>Part Name |         | 数量<br>Q'ty | 適用号機範囲<br>Applicable Ser.No. |       |      |  |  | 変更<br>C/H | 備 考<br>Remarks |
|-----------------|------------------|------------------------------------|----------------------|---------|------------|------------------------------|-------|------|--|--|-----------|----------------|
|                 |                  |                                    |                      |         |            | S400                         | F375  | G310 |  |  |           |                |
| 48              | 03407 66960      | D                                  | Seal rubber          | シール ラバー | 1          | 0230~                        | 0152~ | ◎    |  |  |           | M12            |
| 49              | 03407 66948      | D                                  | Seal rubber          | シール ラバー | 1          | 0230~                        | 0152~ | ◎    |  |  |           | M12            |

Go to Discount-Equipment.com to order your parts



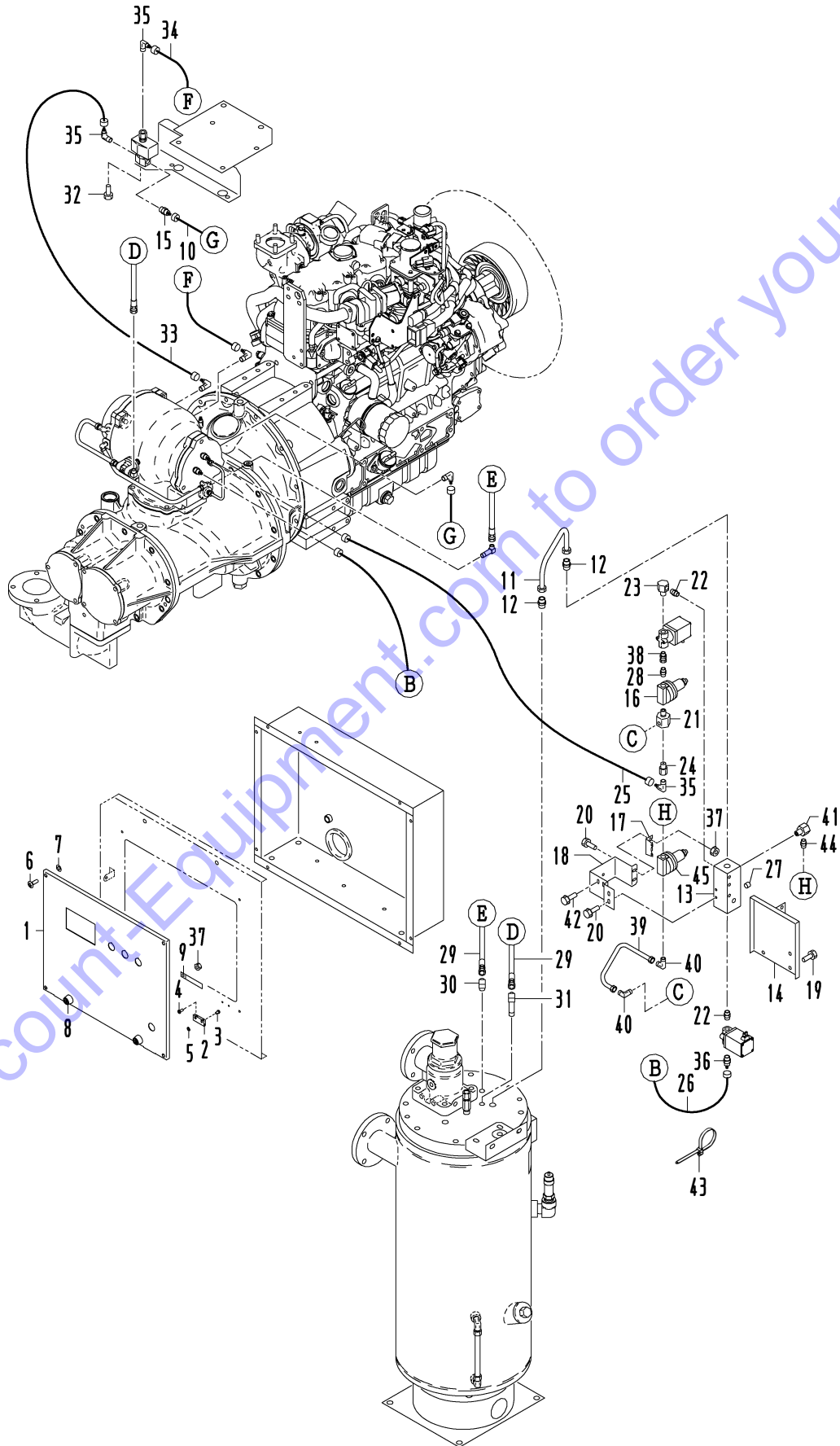
Go to DiscountEquipment.com to order your parts



36 - 00 AIR LINE

| 見出番号<br>Ref. NO. | 部品番号<br>Part NO. | 互換性<br>Inter-<br>change<br>ability | 部 品 名 称<br>Part Name |              | 数量<br>Q'ty | 適用号機範囲<br>Applicable Ser.No. |  |  |  |  | 変更<br>C/H | 備 考<br>Remarks |
|------------------|------------------|------------------------------------|----------------------|--------------|------------|------------------------------|--|--|--|--|-----------|----------------|
|                  |                  |                                    |                      |              |            | S400                         |  |  |  |  |           |                |
|                  | 36 - 00          |                                    | CONTROL GROUP        | コントロール グループ  |            |                              |  |  |  |  |           |                |
| 1                | 36110 25610      |                                    | Instrument panel     | インストルメント パネル | 1          |                              |  |  |  |  |           |                |
| 2                | 52312 03300      |                                    | Hinge                | ヒンジ          | 2          |                              |  |  |  |  |           |                |
| 3                | 02305 64006      |                                    | Screw                | スクリュー        | 4          |                              |  |  |  |  |           |                |
| 4                | 02305 64012      |                                    | Screw                | スクリュー        | 4          |                              |  |  |  |  |           |                |
| 5                | 03116 12004      |                                    | Plain washer         | プレーン ワッシャー   | 4          |                              |  |  |  |  |           |                |
| 6                | 02401 66030      |                                    | Screw                | スクリュー        | 4          |                              |  |  |  |  |           |                |
| 7                | 45214 01400      |                                    | Washer               | ワッシャー        | 4          |                              |  |  |  |  |           |                |
| 8                | 31131 04100      |                                    | Rubber               | ラバー          | 2          |                              |  |  |  |  |           |                |
| 9                | 03424 82006      |                                    | Clip                 | クリップ         | 2          |                              |  |  |  |  |           |                |
| 10               | 03840 20028      |                                    | Nylon tube, w/n      | ナット付ナイロンチューブ | 1          |                              |  |  |  |  |           |                |
| 11               | 36384 04400      |                                    | Pipe                 | パイプ          | 1          |                              |  |  |  |  |           |                |
| 12               | 03734 52030      |                                    | Nipple               | ニップル         | 2          |                              |  |  |  |  |           |                |
| 13               | 35100 57700      |                                    | Air manifold         | エア マニホールド    | 1          |                              |  |  |  |  |           |                |
| 14               | 36710 37600      |                                    | Bracket              | ブラケット        | 1          |                              |  |  |  |  |           |                |
| 15               | 03734 20020      |                                    | Nipple               | ニップル         | 1          |                              |  |  |  |  |           |                |
| 16               | 36400 24100      |                                    | Regulator ass'y      | レギュレータ       | 1          |                              |  |  |  |  |           | (PRESS.)       |
| 17               | 36710 37900      |                                    | Bracket              | ブラケット        | 1          |                              |  |  |  |  |           |                |
| 18               | 36710 38800      |                                    | Bracket              | ブラケット        | 1          |                              |  |  |  |  |           |                |
| 19               | 02201 08020      |                                    | Flange bolt          | フランジ 付ボルト    | 5          |                              |  |  |  |  |           |                |
| 20               | 02201 06016      |                                    | Flange bolt          | フランジ 付ボルト    | 4          |                              |  |  |  |  |           |                |
| 21               | 37189 33500      |                                    | Bushing              | ブッシング        | 1          |                              |  |  |  |  |           |                |
| 22               | 03731 42002      |                                    | Nipple               | ニップル         | 2          |                              |  |  |  |  |           |                |
| 23               | 37189 28000      |                                    | Bushing              | ブッシング        | 1          |                              |  |  |  |  |           |                |
| 24               | 37189 09700      |                                    | Bushing              | ブッシング        | 1          |                              |  |  |  |  |           |                |
| 25               | 03840 20030      |                                    | Nylon tube, w/n      | ナット付ナイロンチューブ | 1          |                              |  |  |  |  |           |                |
| 26               | 03840 30035      |                                    | Nylon tube, w/n      | ナット付ナイロンチューブ | 1          |                              |  |  |  |  |           |                |
| 27               | 03620 60002      |                                    | Plug                 | プラグ          | 3          |                              |  |  |  |  |           |                |
| 28               | 37181 07700      |                                    | Clip                 | クリップ         | 2          |                              |  |  |  |  |           |                |
| 29               | 37110 12100      |                                    | Hose                 | ホース          | 2          |                              |  |  |  |  |           |                |
| 30               | 03734 44002      |                                    | Nipple elbow         | ニップル エルボウ    | 1          |                              |  |  |  |  |           |                |
| 31               | 03734 44102      |                                    | Nipple elbow         | ニップル エルボウ    | 1          |                              |  |  |  |  |           |                |
| 32               | 02248 05010      |                                    | Bolt, w/w            | ワッシャー付ボルト    | 2          |                              |  |  |  |  |           |                |
| 33               | 03840 20014      |                                    | Nylon tube, w/n      | ナット付ナイロンチューブ | 1          |                              |  |  |  |  |           |                |
| 34               | 03840 20019      |                                    | Nylon tube, w/n      | ナット付ナイロンチューブ | 1          |                              |  |  |  |  |           |                |
| 35               | 03734 21020      |                                    | Nipple elbow         | ニップル エルボウ    | 3          |                              |  |  |  |  |           |                |
| 36               | 03734 21032      |                                    | Nipple elbow         | ニップル エルボウ    | 1          |                              |  |  |  |  |           |                |
| 37               | 02915 00006      |                                    | Hexagon flange nut   | フランジ 付ナット    | 4          |                              |  |  |  |  |           |                |

36 - 01 AIR LINE (HIGH PRESSURE TYPE)



Go to Discount-Equipment.com to order your parts

36 - 01 AIR LINE (HIGH PRESSURE TYPE)

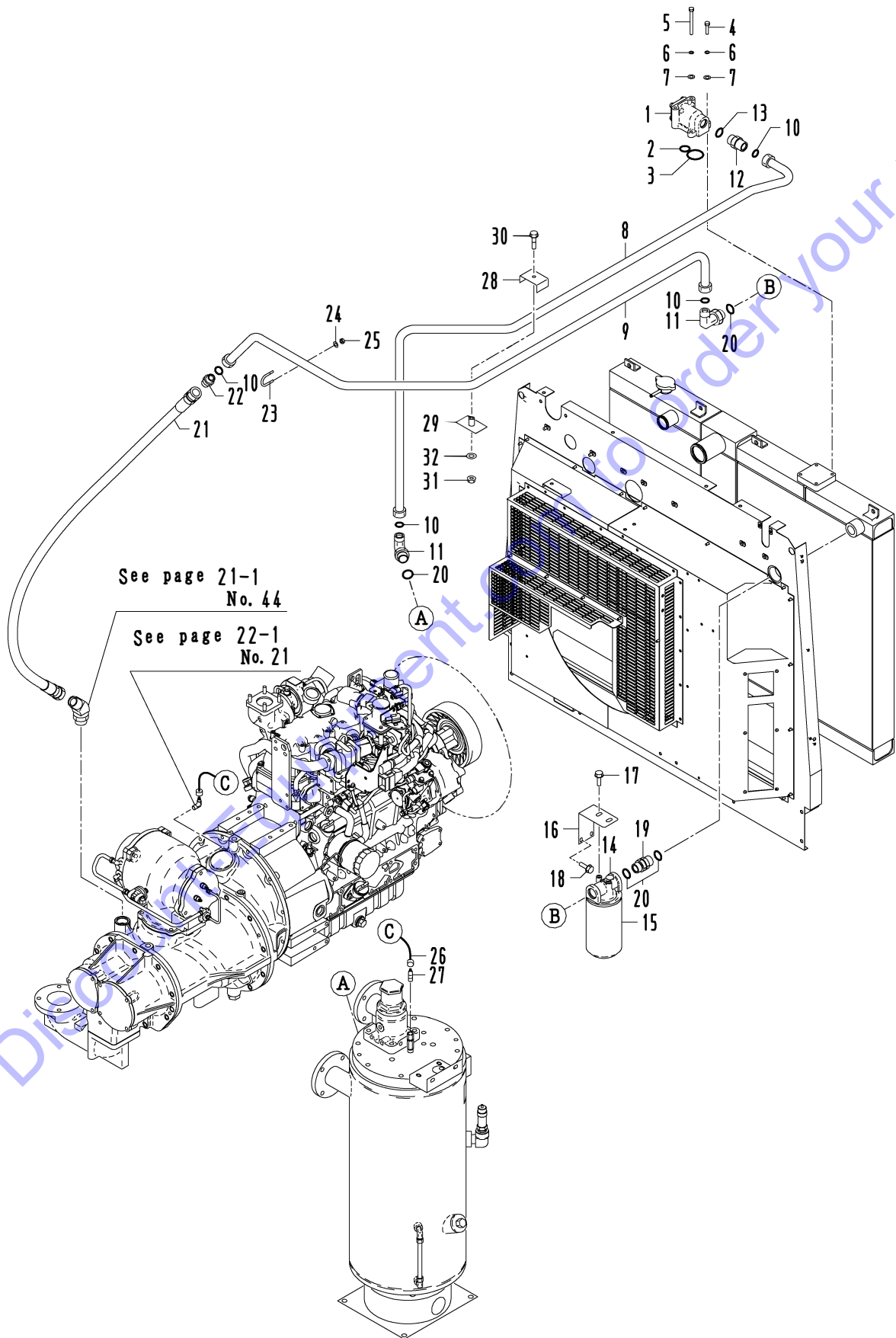
| 見出番号<br>Ref. NO. | 部品番号<br>Part NO. | 互換性<br>Inter-<br>change<br>ability | 部 品 名 称<br>Part Name |              | 数量<br>Q'ty | 適用号機範囲<br>Applicable Ser. No. |      |  |   |  | 変更<br>C/H | 備 考<br>Remarks  |
|------------------|------------------|------------------------------------|----------------------|--------------|------------|-------------------------------|------|--|---|--|-----------|-----------------|
|                  |                  |                                    |                      |              |            | F375                          | G310 |  |   |  |           |                 |
| 36 - 01          |                  |                                    | CONTROL GROUP        | コントロール グループ  |            |                               |      |  |   |  |           |                 |
| 1                | 36110 25610      |                                    | Instrument panel     | インストルメント パネル | 1          |                               |      |  |   |  |           |                 |
| 2                | 52312 03300      |                                    | Hinge                | ヒンジ          | 2          |                               |      |  |   |  |           |                 |
| 3                | 02305 64006      |                                    | Screw                | スクリュー        | 4          |                               |      |  |   |  |           |                 |
| 4                | 02305 64012      |                                    | Screw                | スクリュー        | 4          |                               |      |  |   |  |           |                 |
| 5                | 03116 12004      |                                    | Plain washer         | プレーン ワッシャー   | 4          |                               |      |  |   |  |           |                 |
| 6                | 02401 66030      |                                    | Screw                | スクリュー        | 4          |                               |      |  |   |  |           |                 |
| 7                | 45214 01400      |                                    | Washer               | ワッシャー        | 4          |                               |      |  |   |  |           |                 |
| 8                | 31131 04100      |                                    | Rubber               | ラバー          | 2          |                               |      |  |   |  |           |                 |
| 9                | 03424 82006      |                                    | Clip                 | クリップ         | 2          |                               |      |  |   |  |           |                 |
| 10               | 03840 20028      |                                    | Nylon tube, w/n      | ナット付ナイロンチューブ | 1          |                               |      |  |   |  |           |                 |
| 11               | 36384 04400      |                                    | Pipe                 | パイプ          | 1          |                               |      |  |   |  |           |                 |
| 12               | 03734 52030      |                                    | Nipple               | ニップル         | 2          |                               |      |  |   |  |           |                 |
| 13               | 35100 57700      |                                    | Air manifold         | エア マニホールド    | 1          |                               |      |  |   |  |           |                 |
| 14               | 36710 37600      |                                    | Bracket              | ブラケット        | 1          |                               |      |  |   |  |           |                 |
| 15               | 03734 20020      |                                    | Nipple               | ニップル         | 1          |                               |      |  |   |  |           |                 |
| 16               | 36400 24100      |                                    | Regulator ass'y      | レギュレーター      | 1          |                               |      |  |   |  |           |                 |
| 17               | 36710 37900      |                                    | Bracket              | ブラケット        | 1          |                               |      |  | ◎ |  |           |                 |
| 18               | 36710 39000      |                                    | Bracket              | ブラケット        | 1          |                               |      |  | ◎ |  |           |                 |
| 18               | 36710 40100      |                                    | Bracket              | ブラケット        | 1          |                               |      |  | ◎ |  |           |                 |
| 19               | 02201 08020      |                                    | Flange bolt          | フランジ付ボルト     | 5          |                               |      |  |   |  |           |                 |
| 20               | 02201 06016      |                                    | Flange bolt          | フランジ付ボルト     | 4          |                               |      |  | ◎ |  |           |                 |
| 20               | 02201 06016      |                                    | Flange bolt          | フランジ付ボルト     | 2          |                               |      |  | ◎ |  |           |                 |
| 21               | 37189 39400      |                                    | Bushing              | ブッシング        | 1          |                               |      |  |   |  |           |                 |
| 22               | 03731 42002      |                                    | Nipple               | ニップル         | 2          |                               |      |  |   |  |           |                 |
| 23               | 37189 28000      |                                    | Bushing              | ブッシング        | 1          |                               |      |  |   |  |           |                 |
| 24               | 37189 09700      |                                    | Bushing              | ブッシング        | 1          |                               |      |  |   |  |           |                 |
| 25               | 03840 20026      |                                    | Nylon tube, w/n      | ナット付ナイロンチューブ | 1          |                               |      |  |   |  |           |                 |
| 26               | 03840 30038      |                                    | Nylon tube, w/n      | ナット付ナイロンチューブ | 1          |                               |      |  |   |  |           |                 |
| 27               | 03620 60002      |                                    | Plug                 | プラグ          | 2          |                               |      |  |   |  |           |                 |
| 28               | 03734 43020      |                                    | Nipple               | ニップル         | 1          |                               |      |  |   |  |           |                 |
| 29               | 37110 12100      |                                    | Hose                 | ホース          | 2          |                               |      |  |   |  |           |                 |
| 30               | 03734 44002      |                                    | Nipple elbow         | ニップル エルボ     | 1          |                               |      |  |   |  |           |                 |
| 31               | 03734 44102      |                                    | Nipple elbow         | ニップル エルボ     | 1          |                               |      |  |   |  |           |                 |
| 32               | 02248 05010      |                                    | Bolt, w/w            | ワッシャー付ボルト    | 2          |                               |      |  |   |  |           |                 |
| 33               | 03840 20014      |                                    | Nylon tube, w/n      | ナット付ナイロンチューブ | 1          |                               |      |  |   |  |           |                 |
| 34               | 03840 20019      |                                    | Nylon tube, w/n      | ナット付ナイロンチューブ | 1          |                               |      |  |   |  |           |                 |
| 35               | 03734 21020      |                                    | Nipple elbow         | ニップル エルボ     | 3          |                               |      |  |   |  |           |                 |
| 36               | 03734 20032      |                                    | Nipple               | ニップル         | 1          |                               |      |  |   |  |           |                 |
| 37               | 02915 00006      |                                    | Hexagon flange nut   | フランジ付ナット     | 4          |                               |      |  | ◎ |  |           |                 |
| 37               | 02915 00006      |                                    | Hexagon flange nut   | フランジ付ナット     | 2          |                               |      |  | ◎ |  |           |                 |
| 38               | 86183 01500      |                                    | Joint                | ジョイント        | 1          |                               |      |  |   |  |           |                 |
| 39               | 36384 07500      |                                    | Pipe                 | パイプ          | 1          |                               |      |  | ◎ |  |           |                 |
| 39               | 36384 08600      |                                    | Pipe                 | パイプ          | 1          |                               |      |  | ◎ |  |           |                 |
| 40               | 03734 53020      |                                    | Nipple elbow         | ニップル エルボ     | 2          |                               |      |  |   |  |           |                 |
| 41               | 37189 43100      |                                    | Bushing              | ブッシング        | 1          |                               |      |  | ◎ |  |           |                 |
| 41               | 37189 42500      |                                    | Bushing              | ブッシング        | 1          |                               |      |  | ◎ |  |           |                 |
|                  | 03620 60002      |                                    | Plug                 | プラグ          | 2          |                               |      |  | ◎ |  |           | for obstruction |
| 42               | 02248 05010      |                                    | Bolt, w/w            | ワッシャー付ボルト    | 2          |                               |      |  |   |  |           |                 |
| 43               | 37181 07700      |                                    | Clip                 | クリップ         | 1          |                               |      |  |   |  |           |                 |

## 36 - 01 AIR LINE (HIGH PRESSURE TYPE)

| 見出番号<br>Ref. NO. | 部 品 番 号<br>Part NO. | 互換性<br>Inter-<br>change<br>ability | 部 品 名 称<br>Part Name |        | 数量<br>Q'ty | 適用号機範囲<br>Applicable Ser. No. |      |  |  |  | 変更<br>C/H       | 備 考<br>Remarks |
|------------------|---------------------|------------------------------------|----------------------|--------|------------|-------------------------------|------|--|--|--|-----------------|----------------|
|                  |                     |                                    |                      |        |            | F375                          | G310 |  |  |  |                 |                |
| 44               | 03731 42002         |                                    | Nipple               | ニッパル   | 1          | ◎                             |      |  |  |  |                 |                |
| 44               | 37731 15900         |                                    | Nipple               | ニッパル   | 1          |                               | ◎    |  |  |  |                 |                |
|                  | 22123 02700         |                                    | Orifice              | オリフィス  | 1          |                               | ◎    |  |  |  |                 |                |
| 45               | 36400 24100         |                                    | Regulator ass'y      | レギュレータ | 1          | ◎                             |      |  |  |  |                 |                |
| 45               | 36400 12300         |                                    | Regulator ass'y      | レギュレータ | 1          |                               | ◎    |  |  |  | Incl. Diaphragm |                |
|                  | 36437 01600         |                                    | Diaphragm            | ダイヤフラム | 1          |                               | ◎    |  |  |  |                 |                |
|                  | 37189 43800         |                                    | Bushing              | ブッシング  | 1          |                               | ◎    |  |  |  |                 |                |
|                  | 36153 02600         |                                    | Gasket               | ガスケット  | 1          |                               | ◎    |  |  |  |                 |                |

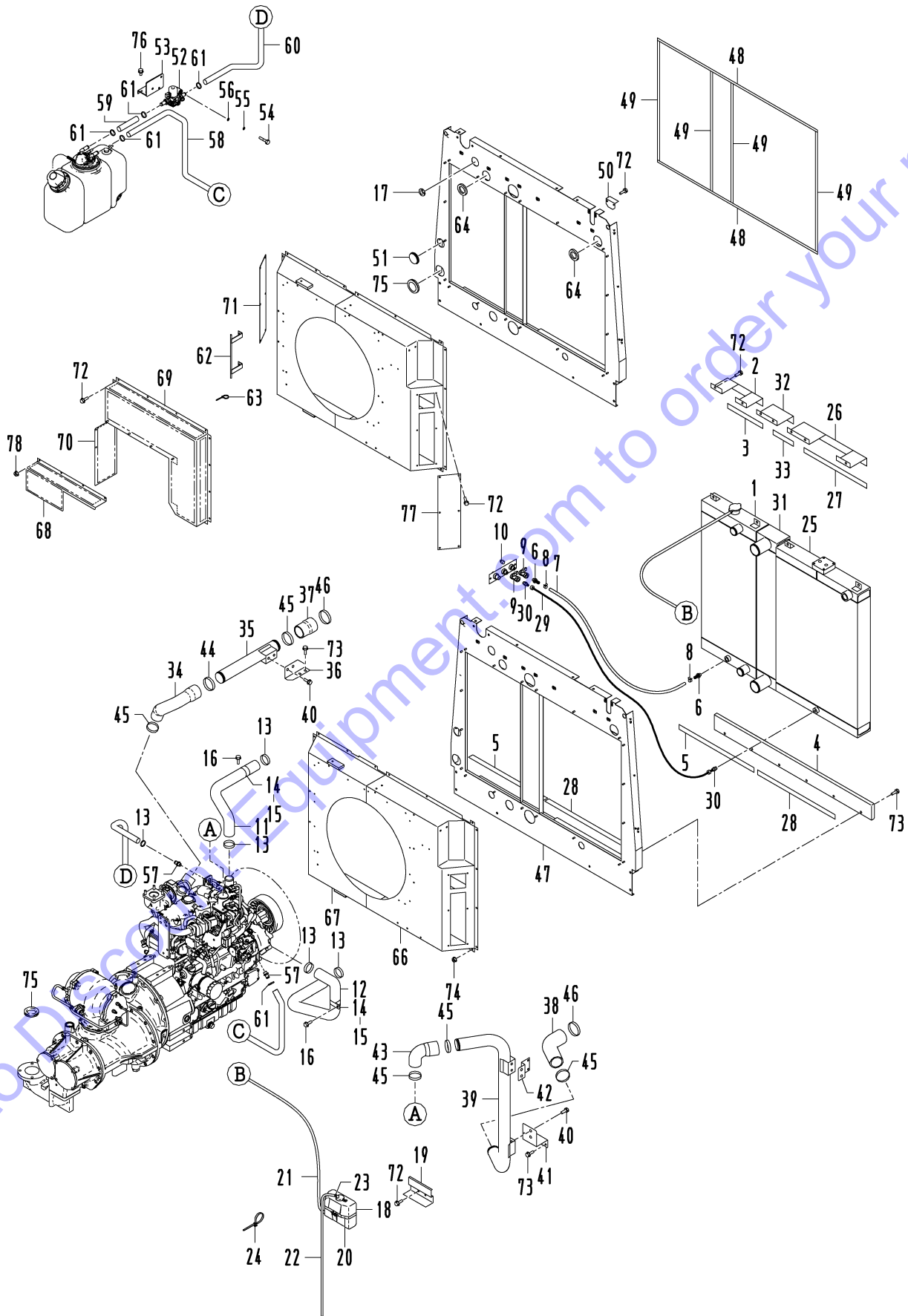
Go to Discount-Equipment.com to order your parts

37 - 00 OIL LINE



37 - 00 OIL LINE

| 見出番号<br>Ref. NO. | 部品番号<br>Part NO. | 互換性<br>Inter-<br>change<br>ability | 部 品 名 称<br>Part Name | 数量<br>Q'ty   | 適用号機範囲<br>Applicable Ser. No. |      |      |   |  | 変更<br>C/H | 備 考<br>Remarks |
|------------------|------------------|------------------------------------|----------------------|--------------|-------------------------------|------|------|---|--|-----------|----------------|
|                  |                  |                                    |                      |              | S400                          | F375 | G310 |   |  |           |                |
|                  | 37 - 00          |                                    | OIL LINE GROUP       |              |                               |      |      |   |  |           |                |
|                  |                  |                                    | オイルライングループ           |              |                               |      |      |   |  |           |                |
| 1                | 37200 11502      |                                    | By-pass valve ass'y  | バイパスバルブ      | 1                             | ◎    |      |   |  |           |                |
| 1                | 37200 12400      |                                    | By-pass valve ass'y  | バイパスバルブ      | 1                             |      | ◎    | ◎ |  |           |                |
|                  | 37231 02100      |                                    | Pellet ass'y         | ペレット         | 1                             | ◎    |      |   |  |           |                |
|                  | 37231 04500      |                                    | Pellet ass'y         | ペレット         | 1                             |      | ◎    | ◎ |  |           |                |
|                  | 03402 25045      |                                    | O-ring               | O-リング        | 1                             |      |      |   |  |           |                |
| 2                | 03402 15025      |                                    | O-ring               | O-リング        | 1                             |      |      |   |  |           |                |
| 3                | 03402 15045      |                                    | O-ring               | O-リング        | 1                             |      |      |   |  |           |                |
| 4                | 02136 08035      |                                    | Bolt                 | ボルト          | 2                             |      |      |   |  |           |                |
| 5                | 02136 08090      |                                    | Bolt                 | ボルト          | 2                             |      |      |   |  |           |                |
| 6                | 03115 06008      |                                    | Spring washer        | スプリングワッシャー   | 4                             |      |      |   |  |           |                |
| 7                | 03116 15008      |                                    | Plain washer         | プレーンワッシャー    | 4                             |      |      |   |  |           |                |
| 8                | 37111 26100      |                                    | Pipe                 | パイプ          | 1                             |      |      |   |  |           |                |
| 9                | 37123 08500      |                                    | Pipe                 | パイプ          | 1                             | ◎    | ◎    |   |  |           |                |
| 9                | 37123 08600      |                                    | Pipe                 | パイプ          | 1                             |      |      | ◎ |  |           |                |
| 10               | 37187 01100      |                                    | O-ring               | O-リング        | 4                             |      |      |   |  |           |                |
| 11               | 03734 76080      |                                    | Nipple elbow         | ニップルエルボ      | 2                             |      |      |   |  |           | Incl. No. 20   |
| 12               | GD920 12400      |                                    | Nipple               | ニップル         | 1                             |      |      |   |  |           | Incl. No. 13   |
| 13               | 03402 25024      |                                    | O-ring               | O-リング        | 1                             |      |      |   |  |           |                |
| 14               | 37411 06100      |                                    | Body                 | ボディ          | 1                             | ◎    | ◎    |   |  |           |                |
| 14               | 37400 17000      |                                    | Oil filter ass'y     | オイルフィルタ      | 1                             |      |      | ◎ |  |           | Incl. No. 15   |
| 15               | 37438 05601      |                                    | Filter cartridge     | フィルタカートリッジ   | 1                             | ◎    | ◎    |   |  |           |                |
| 15               | 37438 10100      |                                    | Filter cartridge     | フィルタカートリッジ   | 1                             |      |      | ◎ |  |           |                |
| 16               | 37510 39400      |                                    | Bracket              | ブラケット        | 1                             | ◎    | ◎    |   |  |           |                |
| 16               | 37510 42600      |                                    | Bracket              | ブラケット        | 1                             |      |      | ◎ |  |           |                |
| 17               | 02248 10020      |                                    | Bolt, w/w            | ワッシャー付ボルト    | 2                             | ◎    | ◎    |   |  |           |                |
| 17               | 02248 10020      |                                    | Bolt, w/w            | ワッシャー付ボルト    | 4                             |      |      | ◎ |  |           |                |
| 18               | 02201 08020      |                                    | Flange bolt          | フランジ付ボルト     | 2                             |      |      |   |  |           |                |
| 19               | 37731 05200      |                                    | Nipple               | ニップル         | 1                             |      |      |   |  |           | Incl. No. 20   |
| 20               | 03402 25029      |                                    | O-ring               | O-リング        | 4                             |      |      |   |  |           |                |
| 21               | 37110 09800      |                                    | Hose                 | ホース          | 1                             |      |      |   |  |           |                |
| 22               | 37731 13700      |                                    | Nipple               | ニップル         | 1                             |      |      |   |  |           |                |
| 23               | 03831 06020      |                                    | U-bolt               | U-ボルト        | 1                             |      |      |   |  |           |                |
| 24               | 03116 12006      |                                    | Plain washer         | プレーンワッシャー    | 2                             |      |      |   |  |           |                |
| 25               | 02915 20006      |                                    | Nut, w/w             | ワッシャー付ナット    | 2                             |      |      |   |  |           |                |
| 26               | 03847 20075      |                                    | Nylon tube, w/n      | ナット付ナイロンチューブ | 1                             | ◎    | ◎    |   |  |           |                |
| 26               | 37110 12100      |                                    | Hose                 | ホース          | 1                             |      |      | ◎ |  |           |                |
| 27               | 03734 21020      |                                    | Nipple elbow         | ニップルエルボ      | 1                             | ◎    | ◎    |   |  |           |                |
| 27               | 03734 44002      |                                    | Nipple elbow         | ニップルエルボ      | 1                             |      |      | ◎ |  |           |                |
| 28               | 37530 27700      |                                    | Bracket              | ブラケット        | 1                             |      |      |   |  |           |                |
| 29               | 37530 27801      |                                    | Bracket              | ブラケット        | 1                             |      |      |   |  |           |                |
| 30               | 02201 08050      |                                    | Flange bolt          | フランジ付ボルト     | 1                             |      |      |   |  |           |                |
| 31               | 02915 20008      |                                    | Nut, w/w             | ワッシャー付ナット    | 1                             |      |      |   |  |           |                |
| 32               | 03116 12008      |                                    | Plain washer         | プレーンワッシャー    | 1                             |      |      |   |  |           |                |



38 - 00 COOLING

| 見出番号<br>Ref.NO. | 部品番号<br>Part NO. | 互換性<br>Inter-<br>change<br>ability | 部 品 名 称<br>Part Name | 数量<br>Q'ty   | 適用号機範囲<br>Applicable Ser.No. |       |       |   |     | 変更<br>C/H | 備 考<br>Remarks |
|-----------------|------------------|------------------------------------|----------------------|--------------|------------------------------|-------|-------|---|-----|-----------|----------------|
|                 |                  |                                    |                      |              | S400                         | F375  | G310  |   |     |           |                |
|                 | 38 - 00          |                                    | COOLING GROUP        | クーリング グループ   |                              |       |       |   |     |           |                |
| 1               | 38100 46200      |                                    | Radiator             | ラジエータ        | 1                            |       |       |   |     |           |                |
| 2               | 38420 03310      |                                    | Bracket              | ブラケット        | 1                            |       |       |   |     |           |                |
| 3               | 03407 64632      |                                    | Seal rubber          | シール ラバー      | 1                            |       |       |   |     |           |                |
| 4               | 52350 39930      |                                    | Cover                | カバー          | 1                            | ~0083 | ~0061 | - |     |           |                |
| 4 -1            | 52350 46530      | A                                  | Cover                | カバー          | 1                            | 0084~ | 0062~ | ◎ | M 2 |           |                |
| 5               | 03407 64622      |                                    | Seal rubber          | シール ラバー      | 2                            |       |       |   |     |           |                |
| 6               | 37170 12200      |                                    | Joint                | ジョイント        | 2                            | ~0211 | ~0131 | - |     |           |                |
| 6 -1            | 37170 12200      | Q                                  | Joint                | ジョイント        | 1                            | 0212~ | 0132~ | ◎ | M 7 |           |                |
| 7               | 03611 08033      |                                    | Hose                 | ホース          | 1                            |       |       |   |     |           |                |
| 8               | 03511 40018      |                                    | Hose clip            | ホース クリップ     | 2                            |       |       |   |     |           |                |
| 9               | 03735 13003      |                                    | Valve                | バルブ          | 2                            |       |       |   |     |           |                |
| 10              | 03620 41003      |                                    | Plug                 | プラグ          | 2                            | ~0211 | ~0131 | - |     |           |                |
| 10 -1           | 33238 02800      | A                                  | Plug                 | プラグ          | 2                            | 0212~ | 0132~ | ◎ | M 7 |           |                |
| 11              | 38524 76000      |                                    | Hose                 | ホース          | 1                            |       |       |   |     |           | (upper)        |
| 12              | 38524 77400      |                                    | Hose                 | ホース          | 1                            |       |       |   |     |           | (lower)        |
| 13              | 03511 20060      |                                    | Hose clip            | ホース クリップ     | 4                            |       |       |   |     |           |                |
| 14              | 38526 03900      |                                    | Clip                 | クリップ         | 3                            |       |       |   |     |           |                |
| 15              | 43322 07500      |                                    | Cushion              | クッション        | 3                            |       |       |   |     |           |                |
| 16              | 02201 08030      |                                    | Flange bolt          | フランジ付ボルト     | 3                            |       |       |   |     |           |                |
| 17              | 03403 00303      |                                    | Grommet              | グロメット        | 1                            |       |       |   |     |           |                |
| 18              | 38590 01200      |                                    | Reserve tank ass'y   | リザーブタンク      | 1                            |       |       |   |     |           |                |
| 19              | 38860 35500      |                                    | Bracket              | ブラケット        | 1                            |       |       |   |     |           |                |
| 20              | 03511 30155      |                                    | Hose clip            | ホース クリップ     | 1                            |       |       |   |     |           |                |
| 21              | 38594 05600      |                                    | Hose                 | ホース          | 1                            |       |       |   |     |           |                |
| 22              | 38594 06800      |                                    | Hose                 | ホース          | 1                            |       |       |   |     |           |                |
| 23              | 03511 40016      |                                    | Hose clip            | ホース クリップ     | 3                            |       |       |   |     |           |                |
| 24              | 37181 07700      |                                    | Clip                 | クリップ         | 6                            |       |       |   |     |           |                |
| 25              | 38200 45600      |                                    | Oil cooler           | オイルクーラ       | 1                            | ◎     | ◎     |   |     |           |                |
| 25              | 38200 50200      |                                    | Oil cooler           | オイルクーラ       | 1                            |       |       | ◎ |     |           |                |
| 26              | 38420 03510      |                                    | Bracket              | ブラケット        | 1                            |       |       |   |     |           |                |
| 27              | 03407 64619      |                                    | Seal rubber          | シール ラバー      | 1                            |       |       |   |     |           |                |
| 28              | 03407 64617      |                                    | Seal rubber          | シール ラバー      | 2                            |       |       |   |     |           |                |
| 29              | 03841 30107      |                                    | Nylon tube, w/n      | ナット付ナイロンチューブ | 1                            |       |       |   |     |           |                |
| 30              | 03734 20030      |                                    | Nipple               | ニップル         | 2                            |       |       |   |     |           |                |
| 31              | 38920 05300      |                                    | Inter cooler         | インタクーラ       | 1                            |       |       |   |     |           |                |
| 32              | 38420 03710      |                                    | Bracket              | ブラケット        | 1                            |       |       |   |     |           |                |
| 33              | 03407 64626      |                                    | Seal rubber          | シール ラバー      | 1                            |       |       |   |     |           |                |
| 34              | 32331 89300      |                                    | Hose                 | ホース          | 1                            |       |       |   |     |           |                |
| 35              | 32320 72200      |                                    | Pipe                 | パイプ          | 1                            |       |       |   |     |           |                |
| 36              | 32270 07300      |                                    | Bracket              | ブラケット        | 1                            |       |       |   |     |           |                |
| 37              | 32332 08102      |                                    | Hose                 | ホース          | 1                            |       |       |   |     |           |                |
| 38              | 32331 89400      |                                    | Hose                 | ホース          | 1                            |       |       |   |     |           |                |
| 39              | 32320 74300      |                                    | Pipe                 | パイプ          | 1                            |       |       |   |     |           |                |
| 40              | 02248 12030      |                                    | Bolt, w/w            | ワッシ付ボルト      | 6                            |       |       |   |     |           |                |
| 41              | 32270 08900      |                                    | Bracket              | ブラケット        | 1                            |       |       |   |     |           |                |
| 42              | 32270 09100      |                                    | Bracket              | ブラケット        | 1                            |       |       |   |     |           |                |
| 43              | 32331 89500      |                                    | Hose                 | ホース          | 1                            |       |       |   |     |           |                |
| 44              | 03511 50065      |                                    | Hose clip            | ホース クリップ     | 1                            |       |       |   |     |           |                |
| 45              | 03511 50075      |                                    | Hose clip            | ホース クリップ     | 5                            |       |       |   |     |           |                |
| 46              | 03511 50085      |                                    | Hose clip            | ホース クリップ     | 2                            |       |       |   |     |           |                |



## 38 - 00 COOLING

| 見出番号<br>Ref. NO. | 部品番号<br>Part NO. | 互換性<br>Inter-<br>change<br>ability | 部 品 名 称<br>Part Name | 数量<br>Q'ty | 適用号機範囲<br>Applicable Ser.No. |       |       |   |  | 変更<br>C/H | 備 考<br>Remarks |
|------------------|------------------|------------------------------------|----------------------|------------|------------------------------|-------|-------|---|--|-----------|----------------|
|                  |                  |                                    |                      |            | S400                         | F375  | G310  |   |  |           |                |
| 47               | 52350 41330      |                                    | Cover                | カバー        | 1                            | ◎     |       |   |  |           | S              |
| 47               | 52350 41330      |                                    | Cover                | カバー        | 1                            | ~0237 |       |   |  |           | SC             |
| 47 -1            | 52350 54130      | B                                  | Cover                | カバー        | 1                            | 0238~ |       |   |  |           | SC             |
| 47               | 52350 41330      |                                    | Cover                | カバー        | 1                            |       | ◎     |   |  |           |                |
| 47               | 52350 54130      |                                    | Cover                | カバー        | 1                            |       |       | ◎ |  |           |                |
| 48               | 03407 66946      |                                    | Seal rubber          | シール ラバー    | 2                            |       |       |   |  |           |                |
| 49               | 03407 66905      |                                    | Seal rubber          | シール ラバー    | 4                            | ◎     |       |   |  |           | S              |
| 49               | 03407 66905      |                                    | Seal rubber          | シール ラバー    | 4                            | ~0237 |       |   |  |           | SC             |
| 49 -1            | 03407 66905      | Q                                  | Seal rubber          | シール ラバー    | 5                            | 0238~ |       |   |  |           | SC             |
| 49               | 03407 66905      |                                    | Seal rubber          | シール ラバー    | 4                            |       | ◎     |   |  |           |                |
| 49               | 03407 66905      |                                    | Seal rubber          | シール ラバー    | 5                            |       |       | ◎ |  |           |                |
| 50               | 52350 02330      |                                    | Cover                | カバー        | 1                            |       |       |   |  |           |                |
| 51               | 03403 00512      |                                    | Grommet              | グロメット      | 1                            |       |       |   |  |           |                |
| 52               | 35483 14200      |                                    | Stop valve           | ストップバルブ    | 1                            |       |       |   |  |           |                |
| 53               | 38860 36800      |                                    | Bracket              | ブラケット      | 1                            |       |       |   |  |           |                |
| 54               | 02138 08060      |                                    | Bolt                 | ボルト        | 3                            |       |       |   |  |           |                |
| 55               | 03115 02008      |                                    | Spring washer        | スプリングワッシャー | 3                            |       |       |   |  |           |                |
| 56               | 03116 12008      |                                    | Plain washer         | プレーンワッシャー  | 3                            |       |       |   |  |           |                |
| 57               | 37170 27800      |                                    | Joint                | ジョイント      | 2                            |       |       |   |  |           |                |
| 58               | 03590 01009      |                                    | Hose                 | ホース        | 1                            |       |       |   |  |           |                |
| 59               | 03590 01007      |                                    | Hose                 | ホース        | 1                            |       |       |   |  |           |                |
| 60               | 03590 01008      |                                    | Hose                 | ホース        | 1                            |       |       |   |  |           |                |
| 61               | 03511 20028      |                                    | Hose Clip            | ホースクリップ    | 6                            |       |       |   |  |           |                |
| 62               | 44290 65600      |                                    | Guide                | ガイド        | 1                            |       |       |   |  |           |                |
| 63               | 03424 80101      |                                    | Clip                 | クリップ       | 2                            |       |       |   |  |           |                |
| 64               | 52728 55510      |                                    | Cushion rubber       | クッションラバー   | 1                            |       |       |   |  |           |                |
| 65               | 52728 55610      |                                    | Cushion rubber       | クッションラバー   | 1                            |       |       |   |  |           |                |
| 66               | 38440 20310      |                                    | Shroud, fan          | ファン シュラウド  | 1                            | ◎     | ◎     |   |  |           |                |
| 66               | 38440 24210      |                                    | Shroud, fan          | ファン シュラウド  | 1                            |       |       | ◎ |  |           |                |
| 67               | 38440 21510      |                                    | Shroud, fan          | ファン シュラウド  | 1                            |       |       |   |  |           |                |
| 68               | 38450 04611      |                                    | Guard, fan           | ファン ガード    | 1                            |       |       |   |  |           |                |
| 69               | 38450 01711      |                                    | Guard, fan           | ファン ガード    | 1                            |       |       |   |  |           |                |
| 70               | 38450 02811      |                                    | Guard, fan           | ファン ガード    | 1                            |       |       |   |  |           |                |
| 71               | 38441 26710      |                                    | Plate                | プレート       | 1                            |       |       |   |  |           |                |
| 72               | 02201 06016      |                                    | Flange bolt          | フランジ付ボルト   | 35                           |       |       |   |  |           |                |
| 73               | 02201 08020      |                                    | Flange bolt          | フランジ付ボルト   | 25                           |       |       |   |  |           |                |
| 74               | 02915 00006      |                                    | Hexagon flange nut   | フランジ付ナット   | 20                           |       |       |   |  |           |                |
| 75               | 03403 00592      |                                    | Grommet              | グロメット      | 1                            |       |       |   |  |           |                |
| 76               | 02246 06016      |                                    | Bolt, w/w            | ワッシャー付ボルト  | 3                            |       |       |   |  |           |                |
| 77               | 38441 26710      |                                    | Plate                | プレート       | 1                            | ◎     | ◎     |   |  |           |                |
| 77               | 38441 41410      |                                    | Plate                | プレート       | 1                            |       |       | ◎ |  |           |                |
| 78               | 02915 00006      |                                    | Hexagon flange nut   | フランジ付ナット   | 4                            | ~0221 | ~0147 | - |  |           |                |
| 78 -1            | 02201 06016      | B                                  | Flange bolt          | フランジ付ボルト   | 4                            | 0222~ | 0148~ | ◎ |  |           | M 8            |

# PARTS FINDER

**Search Website  
by Part Number**



**Search Manual  
Library For Parts  
Manual & Lookup Part  
Numbers – Purchase  
or Request Quote**

**Search Manuals**

Enter your information to help us find the right parts manual for your machine.

\* Brand:

\* Model:

\* Serial:

\* Part Number:

SEARCH

**Can't Find Part or  
Manual? Request Help  
by Manufacturer,  
Model & Description**

**Parts Order Form**

Please fill in the following information to help us find the right part for your machine.

|               |                      |
|---------------|----------------------|
| Manufacturer: | <input type="text"/> |
| Model:        | <input type="text"/> |
| Description:  | <input type="text"/> |
| Part Number:  | <input type="text"/> |
| Quantity:     | <input type="text"/> |
| Notes:        | <input type="text"/> |

Submit

Discount-Equipment.com is your online resource for quality parts & equipment.

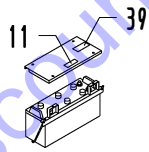
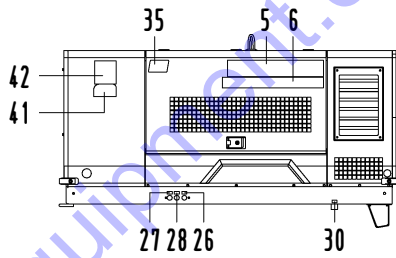
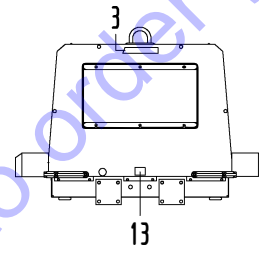
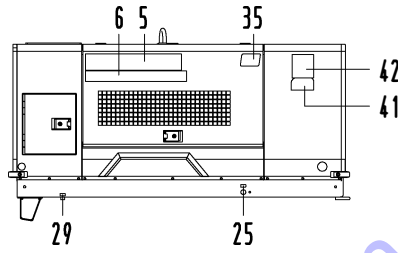
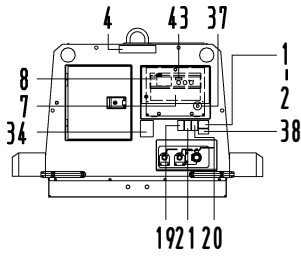
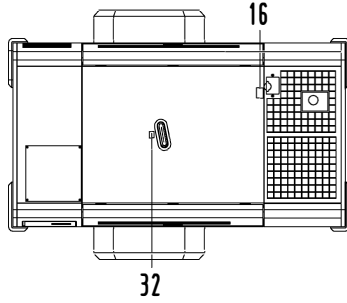
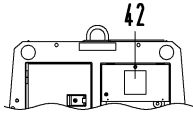
Florida: **561-964-4949** Outside Florida TOLL FREE: **877-690-3101**

**Need parts?**

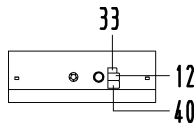
Click on this link: <http://www.discount-equipment.com/category/5443-parts/> and choose one of the options to help get the right parts and equipment you are looking for. Please have the machine model and serial number available in order to help us get you the correct parts. If you don't find the part on the website or on one of the online manuals, please fill out the request form and one of our experienced staff members will get back to you with a quote for the right part that your machine needs.

We sell worldwide for the brands: Genie, Terex, JLG, MultiQuip, Mikasa, Essick, Whiteman, Mayco, Toro Stone, Diamond Products, Generac Magnum, Airman, Haulotte, Barreto, Power Blanket, Nifty Lift, Atlas Copco, Chicago Pneumatic, Allmand, Miller Curber, Skyjack, Lull, Skytrak, Tsurumi, Husquvarna Target, Stow, Wacker, Sakai, Mi-T-M, Sullair, Basic, Dynapac, MBW, Weber, Bartell, Bennar Newman, Haulotte, Ditch Runner, Menegotti, Morrison, Contec, Buddy, Crown, Edco, Wyco, Bomag, Laymor, EZ Trench, Bil-Jax, F.S. Curtis, Gehl Pavers, Heli, Honda, ICS/PowerGrit, IHI, Partner, Imer, Clipper, MMD, Koshin, Rice, CH&E, General Equipment, Amida, Coleman, NAC, Gradall, Square Shooter, Kent, Stanley, Tamco, Toku, Hatz, Kohler, Robin, Wisconsin, Northrock, Oztec, Toker TK, Rol-Air, APT, Wylie, Ingersoll Rand / Doosan, Innovatech, Con X, Ammann, Mecalac, Makinex, Smith Surface Prep, Small Line, Wanco, Yanmar

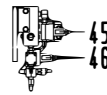
39 - 00 NAME PLATE



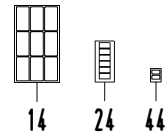
BATTERY



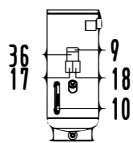
FUEL TANK



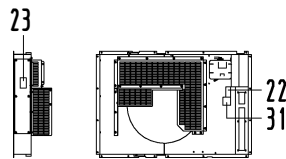
REGULATOR



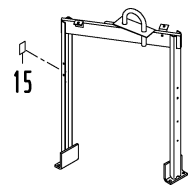
14 24 44



RECEIVER TANK



FAN SHROUD



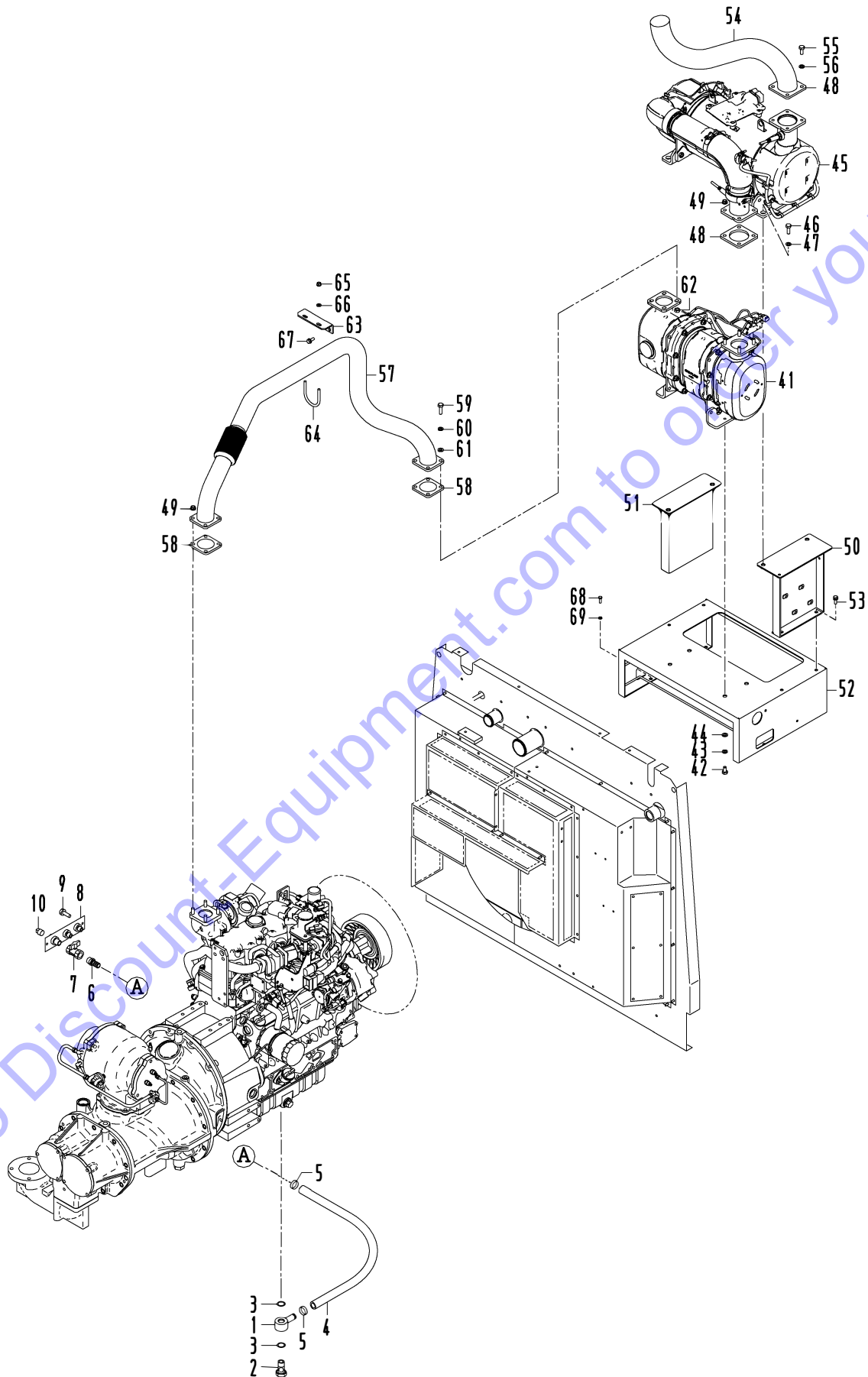
LIFTING BAIL

39 - 00 NAME PLATE

| 見出番号<br>Ref. NO. | 部品番号<br>Part NO. | 互換性<br>Inter-<br>change<br>ability | 部 品 名 称<br>Part Name               | 数量<br>Q'ty | 適用号機範囲<br>Applicable Ser. No. |       |       |  | 変更<br>C/H           | 備 考<br>Remarks |
|------------------|------------------|------------------------------------|------------------------------------|------------|-------------------------------|-------|-------|--|---------------------|----------------|
|                  |                  |                                    |                                    |            | S400                          | F375  | G310  |  |                     |                |
|                  | 39 - 00          |                                    | ACCESSORY GROUP アクセサリーグループ         |            |                               |       |       |  |                     |                |
|                  | 39600 99830      |                                    | Instruction manual 取扱説明書           |            | ~0229                         | ~0151 | ~0050 |  |                     |                |
|                  | 39600 38440      | A                                  | Instruction manual 取扱説明書           |            | 0230~                         | 0152~ | 0051~ |  | M11                 |                |
|                  | 39615 11900      |                                    | Instruction manual 取扱説明書(Eng.)     |            |                               |       |       |  |                     |                |
| 1                | 39103 10811      |                                    | Plate(SER. NO.) プレート               | 1          |                               |       |       |  |                     |                |
| 2                | 03260 03010      |                                    | Blind rivet リベット                   | 4          |                               |       |       |  |                     |                |
| 3                | 39170 02000      |                                    | Mark(AIRMAN) マーク                   | 1          |                               |       |       |  |                     |                |
| 4                | 39178 06840      |                                    | Plate(AIRMAN) プレート                 | 1          |                               |       |       |  |                     |                |
| 5                | 39178 83700      |                                    | Plate(AIRMAN Large) プレート           | 2          |                               |       |       |  |                     |                |
| 6                | 39178 80440      |                                    | Plate(PDS400) プレート                 | 2          | ◎                             |       |       |  |                     |                |
| 6                | 39178 83440      |                                    | Plate(PDSF330DP) プレート              | 2          |                               | ~0151 |       |  |                     |                |
| 6 -1             | 39178 05350      | A                                  | Plate(PDSF375DP) プレート              | 2          |                               | 0152~ |       |  | M11                 |                |
| 6                | 39178 02450      |                                    | Plate(PDSG310DP) プレート              | 2          |                               |       | ◎     |  |                     |                |
| 7                | 39153 74900      |                                    | Plate(start-stop) プレート             | 1          |                               |       |       |  |                     |                |
| 8                | 39178 83340      |                                    | Plate(in-pane) プレート                | 1          |                               |       |       |  |                     |                |
| 9                | 39176 07510      |                                    | Plate(caution, strainer) プレート      | 1          |                               |       |       |  |                     |                |
| 10               | 39178 58930      |                                    | Plate(level gauge) プレート            | 1          |                               |       |       |  |                     |                |
| 11               | 39176 50000      |                                    | Plate(warning, battery) プレート       | 1          |                               |       |       |  |                     |                |
| 12               | 39178 22031      |                                    | Plate(diesel fuel) プレート            | 1          |                               |       |       |  |                     |                |
| 13               | 39178 37310      |                                    | Plate<br>(caution, tow machine)    | 1          |                               |       |       |  |                     |                |
| 14               | 39173 04200      |                                    | Plate, complete プレート(1セット)         | 1          |                               |       |       |  | Const. No. 15~23    |                |
| 15               | * * *            | Z                                  | Plate<br>(caution, high temp.)     | 1          |                               |       |       |  | (39173 04200)       |                |
| 16               | * * *            | Z                                  | Plate<br>(caution, radiator cap)   | 1          |                               |       |       |  | (39173 04200)       |                |
| 17               | * * *            | Z                                  | Plate(caution, fire) プレート          | 1          |                               |       |       |  | (39173 04200)       |                |
| 18               | * * *            | Z                                  | Plate<br>(warning, compressed air) | 1          |                               |       |       |  | (39173 04200)       |                |
| 19               | * * *            | Z                                  | Plate<br>(warning, exhaust gases)  | 1          |                               |       |       |  | (39173 04200)       |                |
| 20               | * * *            | Z                                  | Plate<br>(warning, compressed air) | 1          |                               |       |       |  | (39173 04200)       |                |
| 21               | * * *            | Z                                  | Plate<br>(danger, compressed air)  | 1          |                               |       |       |  | (39173 04200)       |                |
| 22               | * * *            | Z                                  | Plate<br>(warning, cooling fan)    | 1          |                               |       |       |  | (39173 04200)       |                |
| 23               | * * *            | Z                                  | Plate(warning, belt) プレート          | 1          |                               |       |       |  | (39173 04200)       |                |
| 24               | 39173 00701      |                                    | Plate, complete プレート(1セット)         | 1          |                               |       |       |  | S/DP                |                |
|                  |                  |                                    | (Const. No. 25~29)                 |            |                               |       |       |  |                     |                |
| 24               | 39173 00701      |                                    | Plate, complete プレート(1セット)         | 1          |                               |       |       |  | SC/DPC              |                |
|                  |                  |                                    | (Const. No. 25~30)                 |            |                               |       |       |  |                     |                |
| 25               | * * *            | Z                                  | Plate(fuel drain) プレート             | 1          |                               |       |       |  | (39173 00701)       |                |
| 26               | * * *            | Z                                  | Plate(radiator drain) プレート         | 1          |                               |       |       |  | (39173 00701)       |                |
| 27               | * * *            | Z                                  | Plate(eng. oil drain) プレート         | 1          |                               |       |       |  | (39173 00701)       |                |
| 28               | * * *            | Z                                  | Plate<br>(oil cooler drain)        | 1          |                               |       |       |  | (39173 00701)       |                |
| 29               | * * *            | Z                                  | Plate(receiver drain) プレート         | 1          |                               |       |       |  | (39173 00701)       |                |
| 30               | * * *            | Z                                  | Plate<br>(after cooler drain)      | 1          |                               |       |       |  | (39173 00701)SC/DPC |                |

39 - 00 NAME PLATE

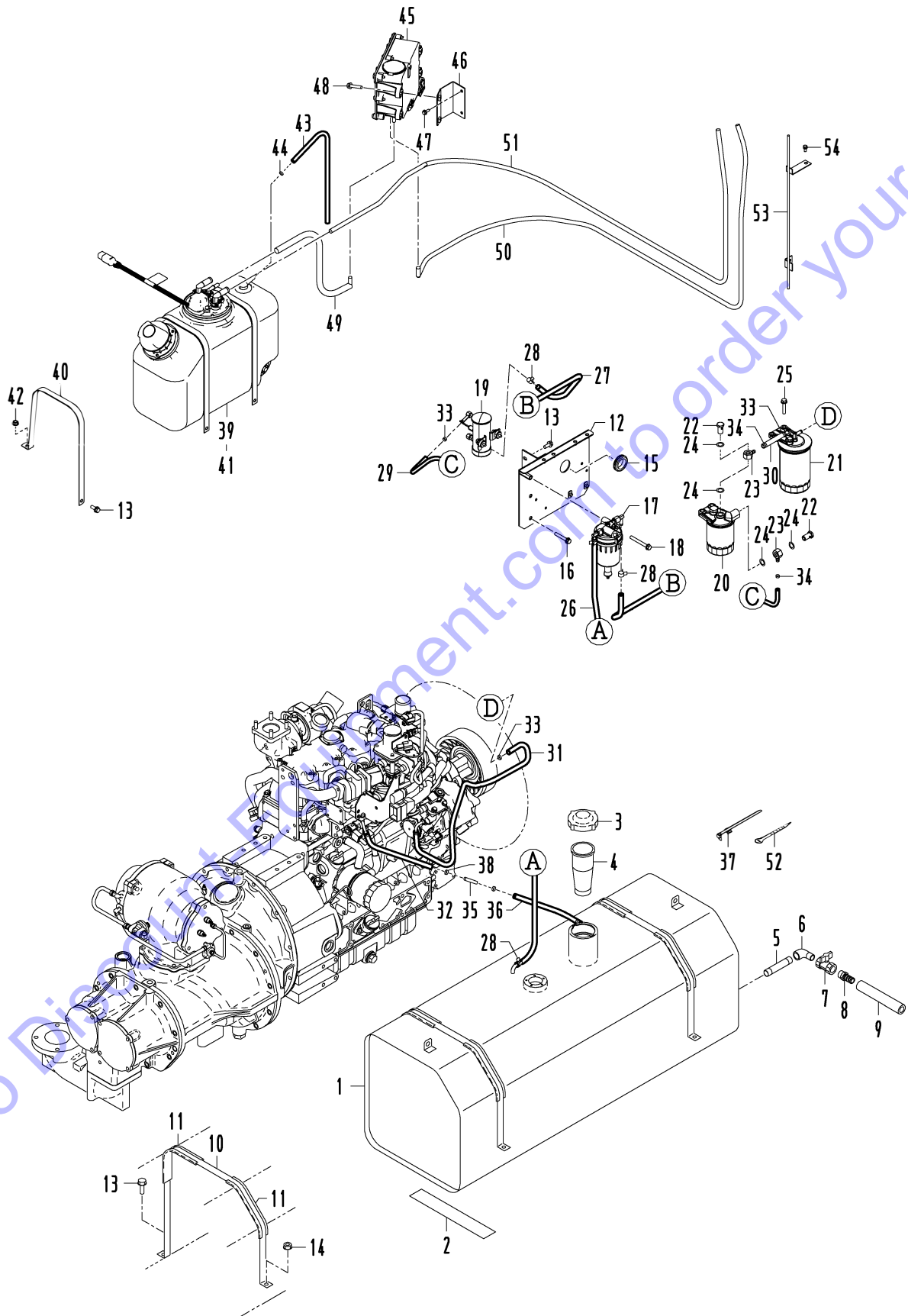
| 見出番号<br>Ref. NO. | 部品番号<br>Part NO. | 互換性<br>Inter-<br>change<br>ability | 部 品 名 称<br>Part Name                              | 数量<br>Q'ty | 適用号機範囲<br>Applicable Ser. No. |       |      |  |  | 変更<br>C/H     | 備 考<br>Remarks |
|------------------|------------------|------------------------------------|---|------------|-------------------------------|-------|------|--|--|---------------|----------------|
|                  |                  |                                    |   |            | S400                          | F375  | G310 |  |  |               |                |
| 31               | 39178 00310      |                                    | Plate(LLC -30°C) プレート                             | 1          |                               |       |      |  |  |               |                |
| 32               | 39176 69300      |                                    | Plate(lift position) プレート                         | 1          |                               |       |      |  |  |               |                |
| 33               | 39176 07310      |                                    | Plate<br>(caution, fuel level) プレート               | 1          |                               |       |      |  |  |               |                |
| 34               | 39176 14810      |                                    | Plate(notice) プレート                                | 1          |                               |       |      |  |  | SC/DPC        |                |
| 35               | 39178 06240      |                                    | Plate(AC) プレート                                    | 2          | ◎                             | —     | —    |  |  | SC            |                |
| 36               | 39147 02800      |                                    | Plate(comp. oil) プレート                             | 1          | ~0095                         | ~0071 | —    |  |  |               |                |
| 36 -1            | 39179 01700      | A                                  | Plate(comp. oil) プレート                             | 1          | 0096~                         | 0072~ | ◎    |  |  | M 4           |                |
| 37               | 39178 47611      |                                    | Plate(emergency stop) プレート                        | 1          |                               |       |      |  |  |               |                |
| 38               | 39178 67840      |                                    | Plate<br>(exhaust gas California regulation) プレート | 1          |                               |       |      |  |  |               |                |
| 39               | 39178 70840      |                                    | Plate(urea inlet) プレート                            | 1          |                               |       |      |  |  |               |                |
| 40               | 39178 70940      |                                    | Plate<br>(caution, urea level) プレート               | 1          |                               |       |      |  |  |               |                |
| 41               | 39178 12630      |                                    | Plate(E2) プレート                                    | 2          |                               |       |      |  |  |               |                |
| 42               | 39178 72540      |                                    | Plate(ANA) プレート                                   | 2          | ~0211                         | ~0119 | —    |  |  |               |                |
| 42 -1            | 39178 93240      | B                                  | Plate(ANA) プレート                                   | 2          | 0212~                         | 0120~ | ◎    |  |  | M476          |                |
| 43               | 39178 84540      |                                    | Plate(ANA) プレート                                   | 1          | —                             | ◎     | ◎    |  |  |               |                |
| 44               | 39173 07400      |                                    | Plate, complete<br>(Const. No. 45, 46) プレート(1セット) | 1          | —                             | ◎     | ◎    |  |  |               |                |
| 45               | * * *            | Z                                  | Plate(HIGH PRESSURE) プレート                         | 1          | —                             | ◎     | ◎    |  |  | (39173 07400) |                |
| 46               | * * *            | Z                                  | Plate(LOW PRESSURE) プレート                          | 1          | —                             | ◎     | ◎    |  |  | (39173 07400) |                |



## 41 - 00 ENGINE &amp; EXHAUST

| 見出番号<br>Ref. NO. | 部品番号<br>Part NO. | 互換性<br>Inter-<br>change<br>ability | 部 品 名 称<br>Part Name | 数量<br>Q'ty  | 適用号機範囲<br>Applicable Ser. No. |       |       |   |  | 変更<br>C/H | 備 考<br>Remarks   |
|------------------|------------------|------------------------------------|----------------------|-------------|-------------------------------|-------|-------|---|--|-----------|------------------|
|                  |                  |                                    |                      |             | S400                          | F375  | G310  |   |  |           |                  |
| 41 - 00          |                  |                                    | ENGINE GROUP         | エンジングループ    |                               |       |       |   |  |           |                  |
| 1                | 43534 02102      |                                    | Ring connector       | リング コネクタ    | 1                             |       |       |   |  |           |                  |
| 2                | 43532 09400      |                                    | Nipple(Bolt)         | ニップル(ボルト)   | 1                             |       |       |   |  |           |                  |
| 3                | 03407 16024      |                                    | Gasket               | ガスケット       | 2                             |       |       |   |  |           |                  |
| 4                | 03580 19075      |                                    | Hose                 | ホース         | 1                             | ~0211 | ~0131 | - |  |           |                  |
| 4 -1             | 03580 19080      | A                                  | Hose                 | ホース         | 1                             | 0212~ | 0132~ | ◎ |  | M 7       |                  |
| 5                | 03511 20035      |                                    | Hose clip            | ホース クリップ    | 2                             |       |       |   |  |           |                  |
| 6                | 37170 02900      | C                                  | Joint                | ジョイント       | 1                             | 0212~ | 0132~ | ◎ |  | M 7       |                  |
| 7                | 03735 13004      |                                    | Valve                | バルブ         | 1                             |       |       |   |  |           |                  |
| 8                | 37170 22900      |                                    | Joint                | ジョイント       | 1                             | ~0211 | ~0131 | - |  |           |                  |
| 8 -1             | 37170 28200      | B                                  | Joint                | ジョイント       | 1                             | ~0229 | ~0151 | - |  | M 7       |                  |
| 8 -2             | 37170 28300      | B                                  | Joint                | ジョイント       | 1                             | 0230~ | 0152~ | ◎ |  | M10       |                  |
| 9                | 02246 08025      |                                    | Bolt, w/w            | ワッシャ付ボルト    | 2                             |       |       |   |  |           |                  |
| 10               | 03620 41004      |                                    | Plug                 | プラグ         | 1                             | ~0211 | ~0131 | - |  |           |                  |
| 10 -1            | 33238 03000      | B                                  | Plug                 | プラグ         | 1                             | 0212~ | 0132~ | ◎ |  | M 7       |                  |
| 42 - 00          |                  |                                    | EXHAUST GROUP        | エキゾーストグループ  |                               |       |       |   |  |           |                  |
| 41               | 42180 00300      |                                    | Exhaust filter       | エキゾースト フィルタ | 1                             |       |       |   |  |           | See Engine parts |
| 42               | 02108 10020      |                                    | Bolt                 | ボルト         | 4                             |       |       |   |  |           | Fig. 40~43       |
| 43               | 03115 02010      |                                    | Spring washer        | スプリング ワッシャ  | 4                             |       |       |   |  |           |                  |
| 44               | 03116 12010      |                                    | Plain washer         | プレーン ワッシャ   | 4                             |       |       |   |  |           |                  |
| 45               | 42170 00200      |                                    | Catalytic converter  | コンバーター      | 1                             |       |       |   |  |           | See Engine parts |
| 46               | 02238 10030      |                                    | Bolt, w/w            | ワッシャ付ボルト    | 4                             |       |       |   |  |           | Fig. 44, 45      |
| 47               | 45214 00800      |                                    | Washer               | ワッシャ        | 4                             |       |       |   |  |           |                  |
| 48               | 42323 05100      |                                    | Gasket               | ガスケット       | 2                             |       |       |   |  |           |                  |
| 49               | 02915 11010      |                                    | Hexagon flange nut   | フランジ付ナット    | 8                             |       |       |   |  |           |                  |
| 50               | 42240 37201      |                                    | Bracket              | ブラケット       | 1                             |       |       |   |  |           |                  |
| 51               | 42240 37301      |                                    | Bracket              | ブラケット       | 1                             |       |       |   |  |           |                  |
| 52               | 42240 37100      |                                    | Bracket              | ブラケット       | 1                             | ~0083 | ~0061 | - |  |           |                  |
| 52 -1            | 42240 38700      | B                                  | Bracket              | ブラケット       | 1                             | 0084~ | 0062~ | ◎ |  | M 2       |                  |
| 53               | 02246 08025      |                                    | Bolt, w/w            | ワッシャ付ボルト    | 4                             |       |       |   |  |           |                  |
| 54               | 42310 15010      |                                    | Pipe, exhaust        | エキゾーストパイプ   | 1                             |       |       |   |  |           |                  |
| 55               | 02102 10025      |                                    | Bolt                 | ボルト         | 4                             |       |       |   |  |           |                  |
| 56               | 03115 02010      |                                    | Spring washer        | スプリング ワッシャ  | 4                             |       |       |   |  |           |                  |
| 57               | 42310 14010      |                                    | Pipe, exhaust        | エキゾーストパイプ   | 1                             |       |       |   |  |           |                  |
| 58               | 42324 16900      |                                    | Gasket               | ガスケット       | 2                             |       |       |   |  |           |                  |
| 59               | 02136 10035      |                                    | Bolt                 | ボルト         | 4                             |       |       |   |  |           |                  |
| 60               | 03115 06010      |                                    | Spring washer        | スプリング ワッシャ  | 4                             |       |       |   |  |           |                  |
| 61               | 03116 15010      |                                    | Plain washer         | プレーン ワッシャ   | 8                             |       |       |   |  |           |                  |
| 62               | 02912 06010      |                                    | Nut                  | ナット         | 4                             |       |       |   |  |           |                  |
| 63               | 42240 35700      |                                    | Bracket              | ブラケット       | 1                             |       |       |   |  |           |                  |
| 64               | 03831 08050      |                                    | U-bolt               | Uボルト        | 1                             |       |       |   |  |           |                  |
| 65               | 02915 20008      |                                    | Nut, w/w             | ワッシャ付ナット    | 2                             |       |       |   |  |           |                  |
| 66               | 03116 12008      |                                    | Plain washer         | プレーン ワッシャ   | 2                             |       |       |   |  |           |                  |
| 67               | 02201 08020      |                                    | Flange bolt          | フランジ付ボルト    | 2                             |       |       |   |  |           |                  |
| 68               | 02246 08025      |                                    | Bolt, w/w            | ワッシャ付ボルト    | 4                             | ~0083 | ~0061 | - |  |           |                  |
| 68 -1            | 02201 08020      | A                                  | Flange bolt          | フランジ付ボルト    | 4                             | 0084~ | 0062~ | ◎ |  | M 2       |                  |
| 69               | 45214 02300      | D                                  | Washer               | ワッシャ        | 4                             | 0084~ | 0062~ | ◎ |  | M 2       |                  |

43 - 00 FUEL LINE



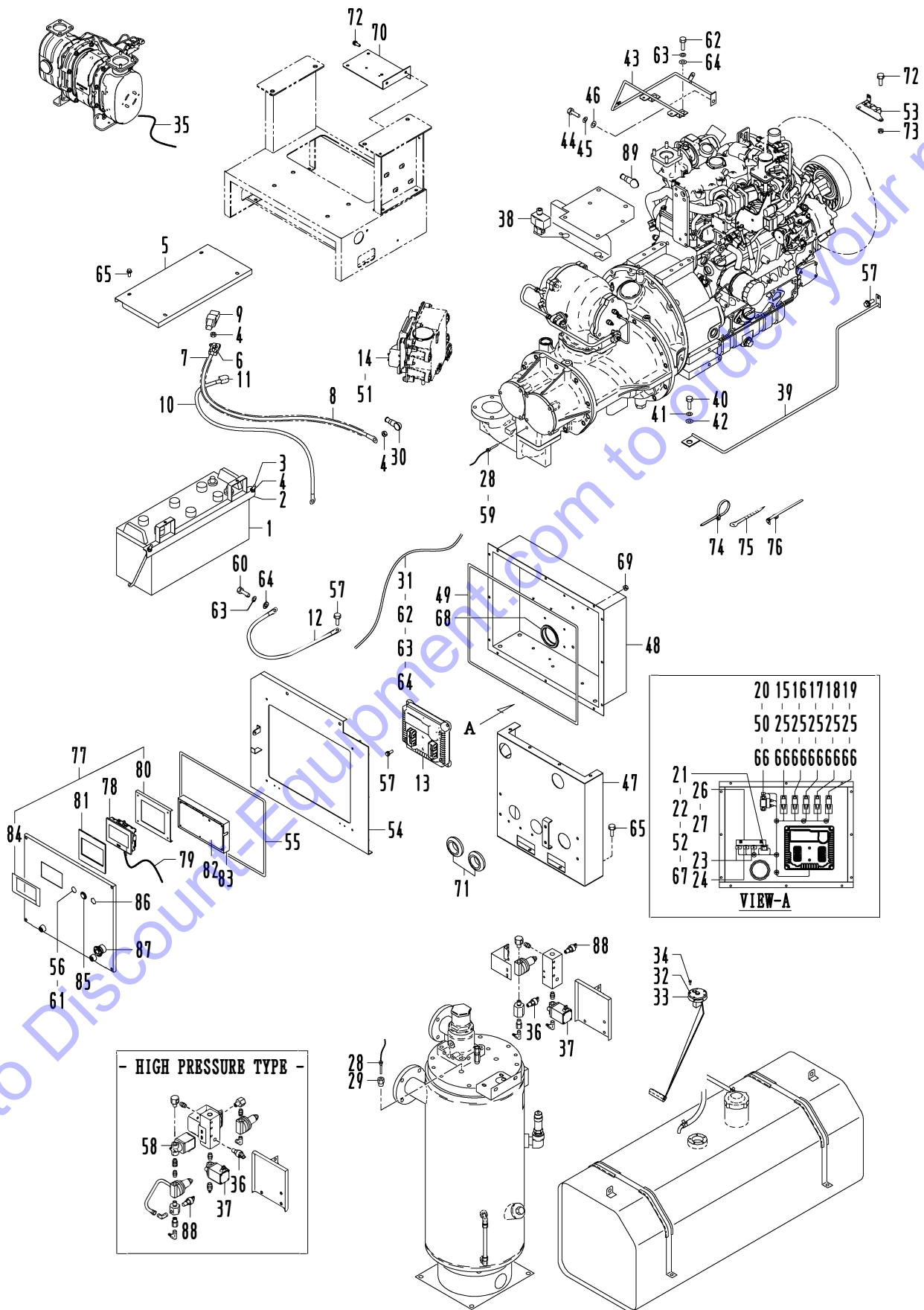


43 - 00 FUEL LINE

| 見出番号<br>Ref. NO. | 部品番号<br>Part NO. | 互換性<br>Inter-<br>change<br>ability | 部 品 名 称<br>Part Name     |           | 数量<br>Q'ty | 適用号機範囲<br>Applicable Ser. No. |       |      |  | 変更<br>C/H | 備 考<br>Remarks              |
|------------------|------------------|------------------------------------|--------------------------|-----------|------------|-------------------------------|-------|------|--|-----------|-----------------------------|
|                  |                  |                                    |                          |           |            | S400                          | F375  | G310 |  |           |                             |
|                  | 43 - 00          |                                    | FUEL GROUP               | フュエル グループ |            |                               |       |      |  |           |                             |
| 1                | 43100 84800      |                                    | Fuel tank                | フュエル タンク  | 1          | ~0189                         | ~0113 | -    |  |           |                             |
| 1 -1             | 43100 90200      | B                                  | Fuel tank                | フュエル タンク  | 1          | 0190~                         | 0114~ | ◎    |  | M481      |                             |
| 2                | 38465 18900      |                                    | Cushion rubber           | クッション ラバー | 2          |                               |       |      |  |           |                             |
| 3                | 43220 01300      |                                    | Cap                      | キャップ      | 1          | ~0189                         | ~0113 | -    |  |           |                             |
| 3 -1             | 43220 03400      | B                                  | Cap                      | キャップ      | 1          | 0190~                         | 0114~ | ◎    |  | M481      | Incl Strainer               |
| 4                | 43210 01301      | C                                  | Strainer                 | ストレーナ     | 1          | 0190~                         | 0114~ | ◎    |  | M481      |                             |
| 5                | 03730 04100      |                                    | Gas pipe                 | ガス パイプ    | 1          |                               |       |      |  |           |                             |
| 6                | 03731 21004      |                                    | Elbow                    | エルボ       | 1          |                               |       |      |  |           |                             |
| 7                | 03735 13004      |                                    | Valve                    | バルブ       | 1          |                               |       |      |  |           |                             |
| 8                | 37170 02900      |                                    | Joint                    | ジョイント     | 1          |                               |       |      |  |           |                             |
| 9                | 03570 19017      |                                    | Hose                     | ホース       | 1          |                               |       |      |  |           |                             |
| 10               | 43310 34900      |                                    | Belt                     | ベルト       | 2          |                               |       |      |  |           |                             |
| 11               | 43322 06700      |                                    | Cushion                  | クッション     | 4          |                               |       |      |  |           |                             |
| 12               | 43340 40400      |                                    | Bracket                  | ブラケット     | 1          |                               |       |      |  |           |                             |
| 13               | 02201 08020      |                                    | Flange bolt              | フランジ 付ボルト | 4          |                               |       |      |  |           |                             |
| 14               | 02915 00008      |                                    | Hexagon flange nut       | フランジ 付ナット | 2          |                               |       |      |  |           |                             |
| 15               | 03402 00404      |                                    | Eyelet ring              | アイレットリング  | 1          |                               |       |      |  |           |                             |
| 16               | 02201 08050      |                                    | Flange bolt              | フランジ 付ボルト | 2          |                               |       |      |  |           |                             |
| 17               | 43550 03400      |                                    | Sedimenter               | セジメンタ     | 1          |                               |       |      |  |           | See Engine parts            |
| 18               | 02201 08070      |                                    | Flange bolt              | フランジ 付ボルト | 1          |                               |       |      |  |           | Fig. 18                     |
| 19               | 43650 03200      |                                    | Fuel pump                | フュエル ポンプ  | 1          |                               |       |      |  |           | See Engine parts<br>Fig. 20 |
| 20               | 43540 08500      |                                    | Filter ass'y             | 燃料フィルタ    | 1          |                               |       |      |  |           | See Engine parts<br>Fig. 15 |
| 21               | 43540 08400      |                                    | Filter ass'y             | 燃料フィルタ    | 1          |                               |       |      |  |           | See Engine parts<br>Fig. 16 |
| 22               | 43532 09900      |                                    | Nipple                   | ニップル      | 1          |                               |       |      |  |           | See Engine parts<br>Fig. 16 |
| 23               | 43534 05700      |                                    | Ring connector           | リング コネクタ  | 2          |                               |       |      |  |           | See Engine parts<br>Fig. 16 |
| 24               | 43531 02400      |                                    | Gasket                   | ガスケット     | 4          |                               |       |      |  |           | See Engine parts<br>Fig. 16 |
| 25               | 02201 08030      |                                    | Flange bolt              | フランジ 付ボルト | 4          |                               |       |      |  |           |                             |
| 26               | 03600 08043      |                                    | Hose                     | ホース       | 1          |                               |       |      |  |           |                             |
| 27               | 03600 08058      |                                    | Hose                     | ホース       | 1          |                               |       |      |  |           |                             |
| 28               | 03511 40016      |                                    | Hose clip                | ホース クリップ  | 4          |                               |       |      |  |           |                             |
| 29               | 03570 08036      |                                    | Hose                     | ホース       | 1          |                               |       |      |  |           |                             |
| 30               | 03570 08010      |                                    | Hose                     | ホース       | 1          |                               |       |      |  |           |                             |
| 31               | 03570 08069      |                                    | Hose                     | ホース       | 1          |                               |       |      |  |           |                             |
| 32               | 03570 08020      |                                    | Hose                     | ホース       | 1          |                               |       |      |  |           |                             |
| 33               | 03511 10017      |                                    | Hose clip                | ホース クリップ  | 6          |                               |       |      |  |           |                             |
| 34               | 03511 20016      |                                    | Hose clip                | ホース クリップ  | 2          |                               |       |      |  |           |                             |
| 35               | 43525 01800      |                                    | Pipe                     | パイプ       | 1          |                               |       |      |  |           |                             |
| 36               | 03570 09033      |                                    | Hose                     | ホース       | 1          |                               |       |      |  |           |                             |
| 37               | 37181 03600      |                                    | Clip                     | クリップ      | 2          |                               |       |      |  |           |                             |
| 38               | 03511 10018      |                                    | Hose clip                | ホース クリップ  | 2          |                               |       |      |  |           |                             |
| 39               | 43230 00100      |                                    | Def tank                 | DEFタンク    | 1          |                               |       |      |  |           |                             |
| 40               | 43310 37300      |                                    | Belt                     | ベルト       | 2          |                               |       |      |  |           |                             |
| 41               | 43810 00100      |                                    | Diesel exhaust fluid DEF | DEF(尿素水)  | 1          |                               |       |      |  |           |                             |
| 42               | 02915 00008      |                                    | Hexagon flange nut       | フランジ 付ナット | 2          |                               |       |      |  |           |                             |
| 43               | 03570 08095      |                                    | Hose                     | ホース       | 1          |                               |       |      |  |           |                             |
| 44               | 03511 10017      |                                    | Hose clip                | ホース クリップ  | 1          |                               |       |      |  |           |                             |

## 43 - 00 FUEL LINE

| 見出番号<br>Ref. NO. | 部品番号<br>Part NO. | 互換性<br>Inter-<br>change<br>ability | 部品名称<br>Part Name |          | 数量<br>Q'ty | 適用号機範囲<br>Applicable Ser. No. |       |      |  | 変更<br>C/H | 備考<br>Remarks               |
|------------------|------------------|------------------------------------|-------------------|----------|------------|-------------------------------|-------|------|--|-----------|-----------------------------|
|                  |                  |                                    |                   |          |            | S400                          | F375  | G310 |  |           |                             |
| 45               | 43850 00100      |                                    | Def pump          | DEFポンプ   | 1          |                               |       |      |  |           |                             |
| 46               | 43570 09500      |                                    | Bracket           | ブラケット    | 1          |                               |       |      |  |           |                             |
| 47               | 02201 06016      |                                    | Flange bolt       | フランジ付ボルト | 2          |                               |       |      |  |           |                             |
| 48               | 02201 08040      |                                    | Flange bolt       | フランジ付ボルト | 4          |                               |       |      |  |           |                             |
| 49               | 43510 14400      |                                    | Hose              | ホース      | 1          |                               |       |      |  |           |                             |
| 50               | 43510 14500      |                                    | Hose              | ホース      | 1          |                               |       |      |  |           | See Engine parts<br>Fig. 54 |
| 51               | 43510 14600      |                                    | Hose              | ホース      | 1          |                               |       |      |  |           | See Engine parts<br>Fig. 54 |
| 52               | 03425 00001      |                                    | Clip              | クリップ     | 21         |                               |       |      |  |           |                             |
| 53               | 44290 64200      |                                    | Guide             | ガイド      | 1          | ~0083                         | ~0061 | -    |  |           |                             |
| 53 -1            | 44290 66500      | B                                  | Guide             | ガイド      | 1          | 0084~                         | 0062~ | ◎    |  |           | M 2                         |
| 54               | 02246 06016      |                                    | Bolt, w/w         | ワッシャ付ボルト | 2          | ~0083                         | ~0061 | -    |  |           |                             |
| 54 -1            | 02246 08025      | B                                  | Bolt, w/w         | ワッシャ付ボルト | 2          | 0084~                         | 0062~ | ◎    |  |           | M 2                         |



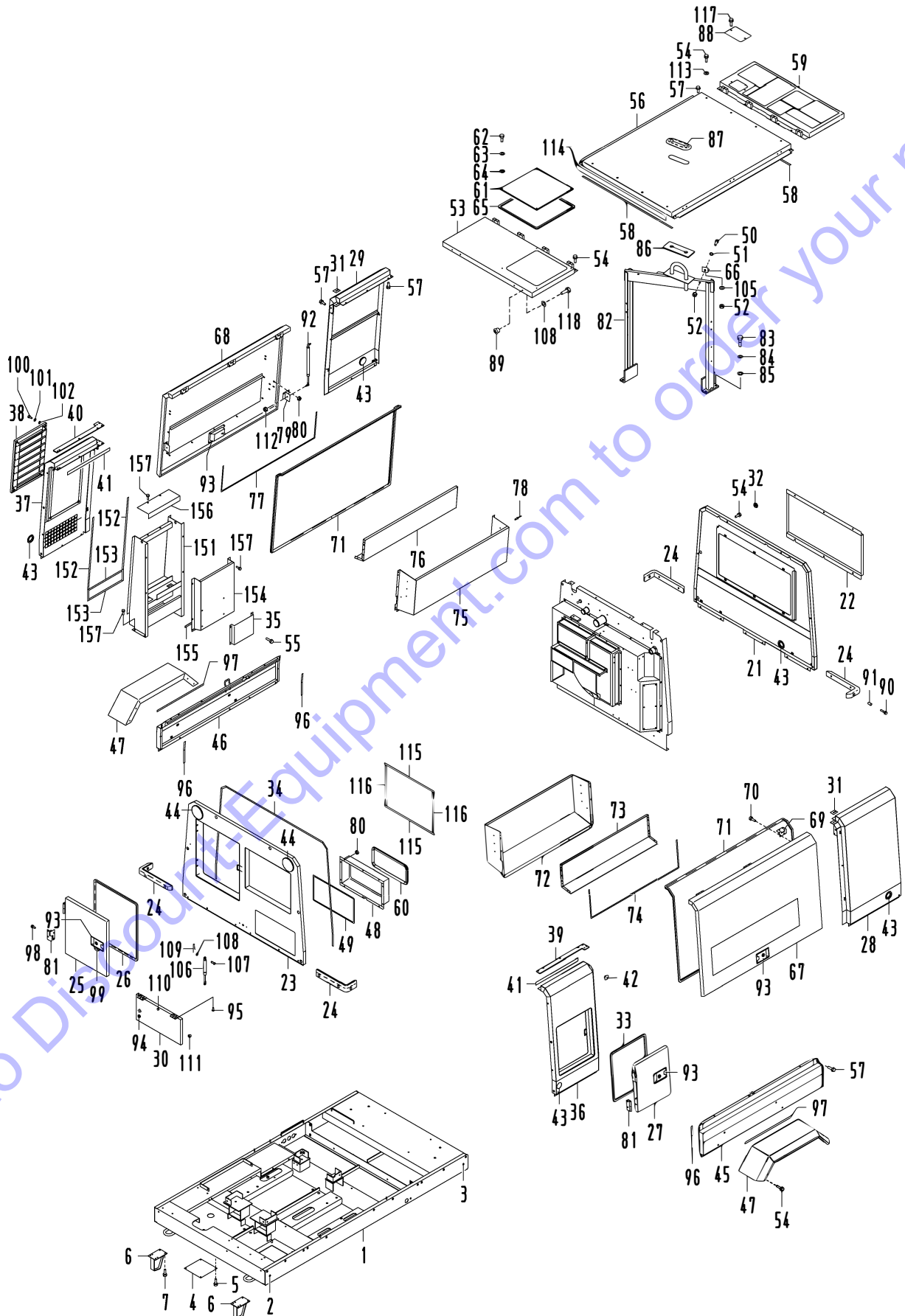
44 - 00 ELECTRIC

| 見出番号<br>Ref. NO.                    | 部品番号<br>Part NO. | 互換性<br>Inter-<br>change<br>ability | 部 品 名 称<br>Part Name |            | 数量<br>Q'ty | 適用号機範囲<br>Applicable Ser. No. |       |      |  | 変更<br>C/H | 備 考<br>Remarks       |
|-------------------------------------|------------------|------------------------------------|----------------------|------------|------------|-------------------------------|-------|------|--|-----------|----------------------|
|                                     |                  |                                    |                      |            |            | S400                          | F375  | G310 |  |           |                      |
| 44 - 00 ELECTRIC GROUP エレクトリック グループ |                  |                                    |                      |            |            |                               |       |      |  |           |                      |
| 1                                   | 44210 08700      | Y                                  | Battery              | バッテリー      | 1          |                               |       |      |  |           | (130F51)             |
| 1                                   | 44210 00200      | Y                                  | Battery              | バッテリー      | 1          |                               |       |      |  |           | (130F51)             |
| 2                                   | 44220 30800      |                                    | Cover                | カバー        | 1          |                               |       |      |  |           |                      |
| 3                                   | 44243 03100      |                                    | Holder               | ホルダ        | 2          |                               |       |      |  |           |                      |
| 4                                   | 02915 20008      |                                    | Nut, w/w             | ワッシャ付ナット   | 4          |                               |       |      |  |           |                      |
| 5                                   | 44220 31800      |                                    | Cover                | カバー        | 1          |                               |       |      |  |           |                      |
| 6                                   | 05625 00018      |                                    | Terminal             | 端子         | 1          |                               |       |      |  |           |                      |
| 7                                   | 05105 21090      |                                    | Cable                | ケーブル       | 1          |                               |       |      |  |           | (batt. ~starter)     |
| 8                                   | 06540 15080      |                                    | Corrugated tube      | コルゲートチューブ  | 1          |                               |       |      |  |           |                      |
| 9                                   | 44462 06700      |                                    | Insulator            | インシュレータ    | 1          |                               |       |      |  |           | (red)                |
| 10                                  | 07808 41060      |                                    | Cable (Incl. No. 11) | ケーブル       | 1          |                               |       |      |  |           | (batt. ~Eng.)        |
| 11                                  | 44462 05600      |                                    | Insulator            | インシュレータ    | 1          |                               |       |      |  |           |                      |
| 12                                  | 05138 23050      |                                    | Cable                | ケーブル       | 1          |                               |       |      |  |           | (Eng. ~frame)        |
| 13                                  | 44390 05900      |                                    | Controller (ECU)     | コントローラ     | 1          |                               |       |      |  |           |                      |
| 14                                  | 44390 06000      |                                    | Controller (ACU)     | コントローラ     | 1          |                               |       |      |  |           | (KUBOTA 1J508-19451) |
| 15                                  | 44346 16700      |                                    | Relay (starter)      | リレー        | 1          |                               |       |      |  |           | (KUBOTA 1J423-60233) |
| 16                                  | 44346 16700      |                                    | Relay (ECU)          | リレー        | 1          |                               |       |      |  |           | (KUBOTA 1J423-60233) |
| 17                                  | 44346 16700      |                                    | Relay (unloader)     | リレー        | 1          |                               |       |      |  |           | (KUBOTA 1J423-60233) |
| 18                                  | 44346 16700      |                                    | Relay (ACU)          | リレー        | 1          |                               |       |      |  |           | (KUBOTA 1J423-60233) |
| 19                                  | 44346 16700      |                                    | Relay (DEF hanter)   | リレー        | 1          |                               |       |      |  |           | (KUBOTA 1J423-60233) |
| 20                                  | 44346 17300      |                                    | Relay (heater)       | リレー(ヒータ)   | 1          |                               |       |      |  |           | (KUBOTA 3N300-75213) |
| 21                                  | 44470 02500      |                                    | Fuse box (120A)      | ヒューズボックス   | 1          |                               |       |      |  |           |                      |
| 22                                  | 44461 22600      |                                    | Connector            | コネクタ       | 1          |                               |       |      |  |           |                      |
| 23                                  | 44470 02600      |                                    | Fuse box             | ヒューズボックス   | 2          |                               |       |      |  |           |                      |
|                                     | 46934 05100      |                                    | Fuse (30A)           | ヒューズ       | 2          |                               |       |      |  |           |                      |
| 24                                  | 44470 01700      |                                    | Fuse box             | ヒューズボックス   | 1          |                               |       |      |  |           |                      |
|                                     | 46934 03300      |                                    | Fuse (20A)           | ヒューズ       | 1          |                               |       |      |  |           |                      |
| 25                                  | 44250 61210      |                                    | Bracket              | ブラケット      | 5          |                               |       |      |  |           |                      |
| 26                                  | 44250 32110      |                                    | Bracket              | ブラケット      | 1          |                               |       |      |  |           |                      |
| 27                                  | 02248 06016      |                                    | Bolt, w/w            | ワッシャ付ボルト   | 2          |                               |       |      |  |           |                      |
| 28                                  | 44364 08200      |                                    | Thermo sensor        | サーモセンサ     | 2          |                               |       |      |  |           |                      |
| 29                                  | 37189 36000      |                                    | Bushing              | ブッシング      | 1          |                               |       |      |  |           |                      |
| 30                                  | 44462 00800      |                                    | Insulator            | インシュレータ    | 1          |                               |       |      |  |           |                      |
| 31                                  | 44490 88842      |                                    | Wiring harness       | ワイヤハーネス    | 1          | ~0229                         | ~0151 |      |  |           | (main)               |
| 31 -1                               | 44490 20850      | B                                  | Wiring harness       | ワイヤハーネス    | 1          | 0230~                         | 0152~ |      |  | M11       | (main)               |
| 31                                  | 44490 20850      |                                    | Wiring harness       | ワイヤハーネス    | 1          |                               |       | ◎    |  |           | (main)               |
| 32                                  | 36159 04500      |                                    | Sending unit         | センディングユニット | 1          |                               |       |      |  |           | Incl. No. 33         |
| 33                                  | 36153 01600      |                                    | Gasket               | ガスケット      | 1          |                               |       |      |  |           |                      |
| 34                                  | 02415 65012      |                                    | Screw, w/w           | ワッシャ付スクリュー | 5          |                               |       |      |  |           |                      |
| 35                                  | 44490 91640      |                                    | Wiring harness (DPF) | ワイヤハーネス    | 1          |                               |       |      |  |           | (KUBOTA 1J508-65082) |
| 36                                  | 44328 20600      |                                    | Pressure switch      | 圧力スイッチ     | 1          |                               |       |      |  |           |                      |
| 37                                  | 46811 30000      |                                    | Solenoid valve       | 電磁弁        | 1          | ◎                             | ◎     |      |  |           | (starting unloader)  |
| 37                                  | 46811 32400      |                                    | Solenoid valve       | 電磁弁        | 1          |                               |       | ◎    |  |           | (starting unloader)  |
| 38                                  | 46811 31800      |                                    | Solenoid valve       | 電磁弁        | 1          |                               |       |      |  |           |                      |
| 39                                  | 44290 65300      |                                    | Guide                | ガイド        | 1          |                               |       |      |  |           |                      |
| 40                                  | 02138 16025      |                                    | Bolt                 | ボルト        | 1          |                               |       |      |  |           |                      |
| 41                                  | 03115 02016      |                                    | Spring washer        | スプリングワッシャ  | 1          |                               |       |      |  |           |                      |
| 42                                  | 03116 12016      |                                    | Plain washer         | プレーンワッシャ   | 1          |                               |       |      |  |           |                      |
| 43                                  | 44290 65401      |                                    | Guide                | ガイド        | 1          |                               |       |      |  |           |                      |
| 44                                  | 02102 10020      |                                    | Bolt                 | ボルト        | 1          |                               |       |      |  |           |                      |

44 - 00 ELECTRIC

| 見出番号<br>Ref. NO. | 部品番号<br>Part NO. | 互換性<br>Inter-<br>change<br>ability | 部 品 名 称<br>Part Name | 数量<br>Q'ty  | 適用号機範囲<br>Applicable Ser. No. |       |       |   |  | 変更<br>C/H | 備 考<br>Remarks       |
|------------------|------------------|------------------------------------|----------------------|-------------|-------------------------------|-------|-------|---|--|-----------|----------------------|
|                  |                  |                                    |                      |             | S400                          | F375  | G310  |   |  |           |                      |
| 45               | 03115 02010      |                                    | Spring washer        | スプリング ワッシャ  | 1                             |       |       |   |  |           |                      |
| 46               | 03116 12010      |                                    | Plain washer         | プレーン ワッシャ   | 1                             |       |       |   |  |           |                      |
| 47               | 52350 16730      |                                    | Cover                | カバー         | 1                             |       |       |   |  |           |                      |
| 48               | 44250 81010      |                                    | Bracket              | ブラケット       | 1                             |       |       |   |  |           |                      |
| 49               | 03407 68200      |                                    | Seal rubber          | シール ラバー     | 1                             |       |       |   |  |           |                      |
| 50               | 02915 20006      |                                    | Nut, w/w             | ワッシャ付ナット    | 2                             |       |       |   |  |           |                      |
| 51               | 02138 06030      |                                    | Bolt                 | ボルト         | 4                             |       |       |   |  |           |                      |
|                  | 03116 12006      |                                    | Plain washer         | プレーン ワッシャ   | 4                             |       |       |   |  |           |                      |
| 52               | 44550 55200      |                                    | Cable kit            | ケーブルキット     | 1                             |       |       |   |  |           | (heater)             |
| 53               | 44250 82210      |                                    | Bracket              | ブラケット       | 1                             |       |       |   |  |           | (KUBOTA 1J508-65171) |
| 54               | 52100 78430      |                                    | Cover                | カバー         | 1                             |       |       |   |  |           |                      |
| 55               | 03407 64713      |                                    | Seal rubber          | シール ラバー     | 1                             |       |       |   |  |           |                      |
| 56               | 52746 05800      |                                    | Cap                  | キャップ        | 1                             | ◎     |       |   |  |           |                      |
| 56               | 46167 05100      |                                    | Select switch        | セレクトスイッチ    | 1                             |       | ◎     | ◎ |  |           | (press. change)      |
| 57               | 02248 08025      |                                    | Bolt, w/w            | ワッシャ付ボルト    | 6                             |       |       |   |  |           |                      |
| 58               | 46811 31700      |                                    | Solenoid valve       | 電磁弁         | 1                             |       | ◎     | ◎ |  |           | (press. change)      |
| 59               | 06540 07020      |                                    | Corrugated tube      | コルゲート チューブ  | 1                             |       |       |   |  |           |                      |
| 60               | 02108 12025      |                                    | Bolt                 | ボルト         | 2                             |       |       |   |  |           |                      |
| 61               | 44490 90240      |                                    | Wiring harness       | ハーネス        | 1                             | —     | ◎     | ◎ |  |           |                      |
| 62               | 02102 12025      |                                    | Bolt                 | ボルト         | 3                             |       |       |   |  |           |                      |
| 63               | 03115 02012      |                                    | Spring washer        | スプリング ワッシャ  | 5                             |       |       |   |  |           |                      |
| 64               | 03116 12012      |                                    | Plain washer         | プレーン ワッシャ   | 5                             |       |       |   |  |           |                      |
| 65               | 02201 08020      |                                    | Flange bolt          | フランジ付ボルト    | 14                            |       |       |   |  |           |                      |
| 66               | 02415 66016      |                                    | Screw, w/w           | ワッシャ付スクリュー  | 7                             |       |       |   |  |           |                      |
| 67               | 02345 66008      |                                    | Screw                | スクリュー       | 2                             |       |       |   |  |           |                      |
|                  | 03115 02006      |                                    | Spring washer        | スプリング ワッシャ  | 2                             |       |       |   |  |           |                      |
|                  | 03116 12006      |                                    | Plain washer         | プレーン ワッシャ   | 2                             |       |       |   |  |           |                      |
| 68               | 03403 00803      |                                    | Grommet              | グロメット       | 1                             |       |       |   |  |           |                      |
| 69               | 02915 00006      |                                    | Hexagon flange nut   | フランジ付ナット    | 12                            |       |       |   |  |           |                      |
| 70               | 44250 81110      |                                    | Bracket              | ブラケット       | 1                             |       |       |   |  |           |                      |
| 71               | 03402 00453      |                                    | Eyelet ring          | アイレット リング   | 2                             |       |       |   |  |           |                      |
| 72               | 02246 08025      |                                    | Bolt, w/w            | ワッシャ付ボルト    | 8                             |       |       |   |  |           |                      |
| 73               | 02915 00008      |                                    | Hexagon flange nut   | フランジ付ナット    | 2                             |       |       |   |  |           |                      |
| 74               | 37181 07700      |                                    | Clip                 | クリップ        | 8                             |       |       |   |  |           |                      |
| 75               | 03425 00001      |                                    | Vinyl clip           | ビニール クリップ   | 24                            |       |       |   |  |           |                      |
| 76               | 37181 03600      |                                    | Clip                 | クリップ        | 7                             |       |       |   |  |           |                      |
| 77               | 46750 22111      |                                    | Control panel        | コントロールパネル   | 1                             |       |       |   |  |           | Const. No. 78~83     |
| 78               | 46879 79200      |                                    | Controller complete  | タッチパネル      | 1                             | ~0229 | ~0151 |   |  |           |                      |
| 78 -1            | 46879 84500      | B                                  | Controller complete  | タッチパネル      | 1                             | 0230~ | 0152~ |   |  | M11       |                      |
| 78               | 46879 84500      |                                    | Controller complete  | タッチパネル      | 1                             |       |       | ◎ |  |           |                      |
| 79               | 44480 94100      |                                    | Cable                | ケーブル        | 1                             |       |       |   |  |           |                      |
| 80               | 36120 30200      |                                    | Plate                | プレート        | 1                             |       |       |   |  |           |                      |
| 81               | 52728 55210      |                                    | Cushion rubber       | クッションラバー    | 1                             |       |       |   |  |           |                      |
| 82               | 46879 79300      |                                    | Controller complete  | コントローラ      | 1                             | ~0229 | ~0151 |   |  |           |                      |
| 82 -1            | 46879 84600      | B                                  | Controller complete  | コントローラ      | 1                             | 0230~ | 0152~ |   |  | M11       |                      |
| 82               | 46879 84600      |                                    | Controller complete  | コントローラ      | 1                             |       |       | ◎ |  |           |                      |
| 83               | 46470 27110      |                                    | Box                  | ボックス        | 1                             |       |       |   |  |           |                      |
| 84               | 36120 30100      |                                    | Plate                | プレート        | 1                             |       |       |   |  |           |                      |
| 85               | 46242 23200      |                                    | Push button switch   | プッシュボタンスイッチ | 1                             |       |       |   |  |           |                      |
| 86               | 46167 05900      |                                    | Select switch        | セレクトスイッチ    | 1                             |       |       |   |  |           |                      |
| 87               | 44336 03002      |                                    | Button switch        | 非常停止ボタン     | 1                             |       |       |   |  |           | (emergency stop)     |
| 88               | 44328 20600      |                                    | Pressure switch      | 圧力スイッチ      | 1                             | ◎     |       |   |  |           |                      |
| 88               | 44328 20700      |                                    | Pressure switch      | 圧力スイッチ      | 1                             |       | ◎     | ◎ |  |           |                      |
| 89               | 44462 01900      |                                    | Insulator            | インシュレータ     | 1                             |       |       |   |  |           |                      |

51 - 00 FRAME & BONNET



## 51 - 00 FRAME &amp; BONNET

| 見出番号<br>Ref. NO. | 部品番号<br>Part NO. | 互換性<br>Inter-<br>change<br>ability | 部 品 名 称<br>Part Name |            | 数量<br>Q'ty | 適用号機範囲<br>Applicable Ser. No. |       |      |  | 変更<br>C/H | 備 考<br>Remarks |
|------------------|------------------|------------------------------------|----------------------|------------|------------|-------------------------------|-------|------|--|-----------|----------------|
|                  |                  |                                    |                      |            |            | S400                          | F375  | G310 |  |           |                |
|                  | 51 - 00          |                                    | FRAME GROUP          | フレーム グループ  |            |                               |       |      |  |           |                |
| 1                | 51100 88542      |                                    | Frame                | フレーム       | 1          | ~0229                         | ~0151 | -    |  |           |                |
| 1 -1             | 51100 02250      |                                    | Frame                | フレーム       | 1          | 0230~                         | 0152~ | ◎    |  | M10       |                |
| 2                | 03403 10019      |                                    | Grommet              | グロメット      | 6          |                               |       |      |  |           |                |
| 3                | 37181 07200      |                                    | Clip                 | クリップ       | 2          |                               |       |      |  |           |                |
| 4                | 52350 72620      | C                                  | Cover                | カバー        | 1          | 0130~                         | 0086~ | -    |  | M 6       |                |
| 5                | 02246 06016      | C                                  | Bolt, w/w            | ワッシャ付ボルト   | 4          | 0130~                         | 0086~ | ◎    |  | M 6       |                |
| 6                | 51550 03100      |                                    | Stand, rear          | スタンド       | 2          |                               |       |      |  |           |                |
| 7                | 02246 10030      |                                    | Bolt, w/w            | ワッシャ付ボルト   | 8          |                               |       |      |  |           |                |
|                  | 52 - 00          |                                    | BONNET GROUP         | ボンネット グループ |            |                               |       |      |  |           |                |
| 21               | 52100 78230      |                                    | Cover                | カバー        | 1          |                               |       |      |  |           |                |
| 22               | 52350 14230      |                                    | Cover                | カバー        | 1          |                               |       |      |  |           |                |
| 23               | 52100 78330      |                                    | Cover                | カバー        | 1          | ◎                             | ◎     |      |  |           |                |
| 23               | 52100 90330      |                                    | Cover                | カバー        | 1          |                               |       | ◎    |  |           |                |
| 24               | 52728 31211      |                                    | Cushion rubber       | クッション ラバー  | 4          |                               |       |      |  |           |                |
| 25               | 52450 66930      |                                    | Door                 | ドア         | 1          |                               |       |      |  |           |                |
| 26               | 03407 64725      |                                    | Seal rubber          | シール ラバー    | 1          |                               |       |      |  |           |                |
| 27               | 52450 67030      |                                    | Door                 | ドア         | 1          |                               |       |      |  |           |                |
| 28               | 52100 71630      |                                    | Cover                | カバー        | 1          |                               |       |      |  |           |                |
| 29               | 52100 71730      |                                    | Cover                | カバー        | 1          |                               |       |      |  |           |                |
| 30               | 52450 92730      |                                    | Door                 | ドア         | 1          |                               |       |      |  |           |                |
| 31               | 52728 50810      |                                    | Cushion rubber       | クッション ラバー  | 2          |                               |       |      |  |           |                |
| 32               | 52746 02101      |                                    | Cap                  | キャップ       | 8          |                               |       |      |  |           |                |
| 33               | 03407 64732      |                                    | Seal rubber          | シール ラバー    | 1          |                               |       |      |  |           |                |
| 34               | 03407 66876      |                                    | Seal rubber          | シール ラバー    | 1          |                               |       |      |  |           |                |
| 35               | 39200 05202      |                                    | Tool box             | ツール ボックス   | 1          |                               |       |      |  |           |                |
| 36               | 52100 72931      |                                    | Cover                | カバー        | 1          |                               |       |      |  |           |                |
| 37               | 52100 73331      |                                    | Cover                | カバー        | 1          |                               |       |      |  |           |                |
| 38               | 52370 18010      |                                    | Duct                 | ダクト        | 1          |                               |       |      |  |           |                |
| 39               | 52728 55310      |                                    | Cushion rubber       | クッション ラバー  | 1          |                               |       |      |  |           |                |
| 40               | 52728 55410      |                                    | Cushion rubber       | クッション ラバー  | 1          |                               |       |      |  |           |                |
| 41               | 03407 67036      |                                    | Seal rubber          | シール ラバー    | 2          |                               |       |      |  |           |                |
| 42               | 03403 10010      |                                    | Grommet              | グロメット      | 8          |                               |       |      |  |           |                |
| 43               | 03403 00592      |                                    | Grommet              | グロメット      | 5          |                               |       |      |  |           |                |
| 44               | 03403 01022      |                                    | Grommet              | グロメット      | 2          |                               |       |      |  |           |                |
| 45               | 52400 84220      |                                    | Side cover           | サイド カバー    | 1          |                               |       |      |  |           |                |
| 46               | 52400 83920      |                                    | Side cover           | サイド カバー    | 1          |                               |       |      |  |           |                |
| 47               | 53220 71300      |                                    | Fender               | フェンダ       | 2          |                               |       |      |  |           |                |
| 48               | 52100 44530      |                                    | Cover                | カバー        | 1          |                               |       |      |  |           |                |
| 49               | 03407 68150      |                                    | Seal rubber          | シール ラバー    | 1          |                               |       |      |  |           |                |
| 50               | 02138 08045      |                                    | Bolt                 | ボルト        | 2          |                               |       |      |  |           |                |
| 51               | 03116 12008      |                                    | Plain washer         | プレーン ワッシャ  | 2          |                               |       |      |  |           |                |
| 52               | 02915 20008      |                                    | Nut, w/w             | ワッシャ付ナット   | 4          |                               |       |      |  |           |                |
| 53               | 52300 73420      |                                    | Top cover            | トップ カバー    | 1          |                               |       |      |  |           |                |
| 54               | 02246 08025      |                                    | Bolt, w/w            | ワッシャ付ボルト   | 82         |                               |       |      |  |           |                |
| 55               | 02201 06016      |                                    | Flange bolt          | フランジ付ボルト   | 4          |                               |       |      |  |           |                |
| 56               | 52300 73320      |                                    | Top cover            | トップ カバー    | 1          |                               |       |      |  |           |                |
| 57               | 02246 06016      |                                    | Bolt, w/w            | ワッシャ付ボルト   | 16         |                               |       |      |  |           |                |
| 58               | 03407 66850      |                                    | Seal rubber          | シール ラバー    | 2          |                               |       |      |  |           |                |
| 59               | 52300 73020      |                                    | Top cover            | トップ カバー    | 1          |                               |       |      |  |           |                |

51 - 00 FRAME & BONNET

| 見出番号<br>Ref.NO. | 部品番号<br>Part NO. | 互換性<br>Inter-<br>change<br>ability | 部 品 名 称<br>Part Name | 数量<br>Q'ty | 適用号機範囲<br>Applicable Ser.No. |       |       |   |  | 変更<br>C/H | 備 考<br>Remarks |
|-----------------|------------------|------------------------------------|----------------------|------------|------------------------------|-------|-------|---|--|-----------|----------------|
|                 |                  |                                    |                      |            | S400                         | F375  | G310  |   |  |           |                |
| 60              | 03407 64703      |                                    | Seal rubber          | シール ラバ-    | 1                            |       |       |   |  |           |                |
| 61              | 52350 78620      |                                    | Cover                | カバー        | 1                            |       |       |   |  |           |                |
| 62              | 02136 06025      |                                    | Bolt                 | ボルト        | 4                            |       |       |   |  |           |                |
| 63              | 52744 01100      |                                    | Washer               | ワッシャ       | 4                            |       |       |   |  |           |                |
| 64              | 03116 15006      |                                    | Plain washer         | フ レーン ワッシャ | 4                            |       |       |   |  |           |                |
| 65              | 03407 64713      |                                    | Seal rubber          | シール ラバ-    | 1                            |       |       |   |  |           |                |
| 66              | 52630 13600      |                                    | Stay                 | ステー        | 2                            |       |       |   |  |           |                |
| 67              | 52450 92630      |                                    | Door                 | ドア         | 1                            |       |       |   |  |           |                |
| 68              | 52450 92530      |                                    | Door                 | ドア         | 1                            |       |       |   |  |           |                |
| 69              | 52480 14800      |                                    | Hinge                | ヒンジ        | 6                            |       |       |   |  |           |                |
| 70              | 02136 08016      |                                    | Bolt                 | ボルト        | 24                           |       |       |   |  |           |                |
| 71              | 03407 64734      |                                    | Seal rubber          | シール ラバ-    | 2                            |       |       |   |  |           |                |
| 72              | 52800 29010      |                                    | Duct                 | ダクト        | 1                            | ◎     | ◎     |   |  |           |                |
| 72              | 52800 35710      |                                    | Duct                 | ダクト        | 1                            |       |       | ◎ |  |           |                |
| 73              | 52370 42510      |                                    | Duct                 | ダクト        | 1                            | ◎     | ◎     |   |  |           |                |
| 73              | 52370 59410      |                                    | Duct                 | ダクト        | 1                            |       |       | ◎ |  |           |                |
| 74              | 03407 68147      |                                    | Seal rubber          | シール ラバ-    | 1                            |       |       |   |  |           |                |
| 75              | 52800 29110      |                                    | Duct                 | ダクト        | 1                            |       |       |   |  |           |                |
| 76              | 52370 42610      |                                    | Duct                 | ダクト        | 1                            |       |       |   |  |           |                |
| 77              | 03407 68170      |                                    | Seal rubber          | シール ラバ-    | 1                            |       |       |   |  |           |                |
| 78              | 03266 05012      |                                    | Blind rivet          | リベット       | 16                           |       |       |   |  |           |                |
| 79              | 52750 31800      |                                    | Bracket              | ブラケット      | 4                            |       |       |   |  |           |                |
| 80              | 02915 00006      |                                    | Hexagon flange nut   | フランジ 付ナット  | 66                           |       |       |   |  |           |                |
| 81              | 52480 12500      |                                    | Hinge                | ヒンジ        | 4                            |       |       |   |  |           |                |
| 82              | 52620 51300      |                                    | Lifting bail         | リフティング ベイル | 1                            | ~0211 | ~0151 | - |  |           |                |
| 82 -1           | 52620 53700      | A                                  | Lifting bail         | リフティング ベイル | 1                            | 0212~ | 0132~ | ◎ |  | M490      |                |
| 83              | 02135 12045      |                                    | Bolt                 | ボルト        | 4                            |       |       |   |  |           |                |
| 84              | 03115 02012      |                                    | Spring washer        | スプリング ワッシャ | 4                            |       |       |   |  |           |                |
| 85              | 03116 12012      |                                    | Plain washer         | フ レーン ワッシャ | 4                            |       |       |   |  |           |                |
| 86              | 52728 35411      |                                    | Cushion rubber       | クッション ラバ-  | 1                            |       |       |   |  |           |                |
| 87              | 52746 04200      |                                    | Cap                  | キャップ       | 1                            |       |       |   |  |           |                |
| 88              | 52350 89010      |                                    | Cover                | カバー        | 1                            |       |       |   |  |           |                |
| 89              | 52652 00400      |                                    | Nut                  | ナット        | 4                            |       |       |   |  |           |                |
| 90              | 02246 08050      |                                    | Bolt, w/w            | ワッシャ付ボルト   | 12                           |       |       |   |  |           |                |
| 91              | 52162 00200      |                                    | Collar               | カラー        | 12                           |       |       |   |  |           |                |
| 92              | GE360 02100      |                                    | Dumper               | ダンパ        | 4                            |       |       |   |  |           |                |
| 93              | 52710 03601      |                                    | Latch ass'y          | ラッチ        | 4                            |       |       |   |  |           |                |
| 94              | 52723 00900      |                                    | Lock                 | ロック        | 1                            |       |       |   |  |           |                |
| 95              | 02401 66012      |                                    | Screw                | スクリュー      | 4                            |       |       |   |  |           |                |
| 96              | 03407 66832      |                                    | Seal rubber          | シール ラバ-    | 4                            |       |       |   |  |           |                |
| 97              | 03407 66811      |                                    | Seal rubber          | シール ラバ-    | 2                            |       |       |   |  |           |                |
| 98              | 02136 08020      |                                    | Bolt                 | ボルト        | 16                           |       |       |   |  |           |                |
| 99              | 52728 14810      |                                    | Cushion rubber       | クッション ラバ-  | 4                            |       |       |   |  |           |                |
| 100             | 02136 08040      |                                    | Bolt                 | ボルト        | 4                            |       |       |   |  |           |                |
| 101             | 03115 06008      |                                    | Spring washer        | スプリング ワッシャ | 4                            |       |       |   |  |           |                |
| 102             | 03116 15008      |                                    | Plain washer         | フ レーン ワッシャ | 4                            |       |       |   |  |           |                |
| 103             | * * *            |                                    |                      |            |                              |       |       |   |  |           |                |
| 104             | * * *            |                                    |                      |            |                              |       |       |   |  |           |                |
| 105             | 52744 01200      |                                    | Washer               | ワッシャ       | 2                            |       |       |   |  |           |                |
| 106             | GE360 03200      |                                    | Dumper               | ダンパ        | 1                            |       |       |   |  |           |                |
| 107             | 03322 06017      |                                    | Pin                  | ピン         | 2                            |       |       |   |  |           |                |
| 108             | 03116 12006      |                                    | Plain washer         | フ レーン ワッシャ | 6                            |       |       |   |  |           |                |
| 109             | 56166 00900      |                                    | Pin                  | ピン         | 2                            |       |       |   |  |           |                |
| 110             | GE240 01100      |                                    | Rubber cushion       | ラバ- クッション  | 1                            |       |       |   |  |           |                |

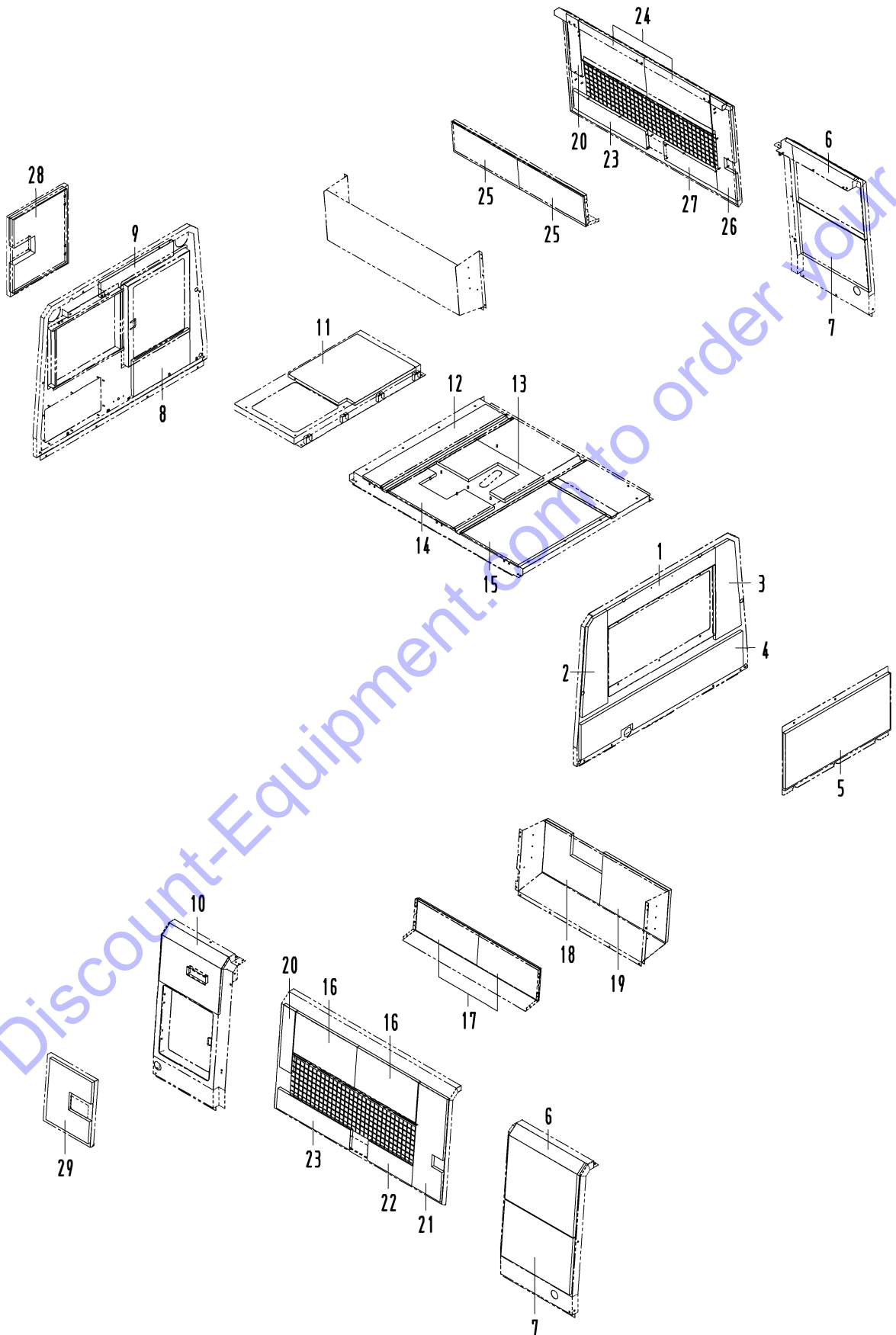


51 - 00 FRAME & BONNET

| 見出番号<br>Ref. NO. | 部品番号<br>Part NO. | 互換性<br>Inter-<br>change<br>ability | 部 品 名 称<br>Part Name        | 数量<br>Q'ty | 適用号機範囲<br>Applicable Ser. No. |      |      |  |  | 変更<br>C/H | 備 考<br>Remarks |
|------------------|------------------|------------------------------------|-----------------------------|------------|-------------------------------|------|------|--|--|-----------|----------------|
|                  |                  |                                    |                             |            | S400                          | F375 | G310 |  |  |           |                |
| 111              | 31131 04100      |                                    | Rubber ラバ-                  | 4          |                               |      |      |  |  |           |                |
| 112              | 02915 00008      |                                    | Hexagon flange nut フランジ付ナット | 8          |                               |      |      |  |  |           |                |
| 113              | 52744 00900      |                                    | Washer ワッシャ                 | 8          |                               |      |      |  |  |           |                |
| 114              | 52728 51510      |                                    | Cushion rubber クッション ラバ-    | 1          |                               |      |      |  |  |           |                |
| 115              | 03407 66942      |                                    | Seal rubber シール ラバ-         | 2          |                               |      |      |  |  |           |                |
| 116              | 03407 66932      |                                    | Seal rubber シール ラバ-         | 2          |                               |      |      |  |  |           |                |
| 117              | 02246 08016      |                                    | Bolt, w/w ワッシャ付ボルト          | 2          |                               |      |      |  |  |           |                |
| 118              | 02248 06012      |                                    | Bolt, w/w ワッシャ付ボルト          | 4          |                               |      |      |  |  |           |                |

38 - 00 COOLING GROUP ケーリング グループ

|     |             |  |                      |    |  |  |  |  |  |  |  |
|-----|-------------|--|----------------------|----|--|--|--|--|--|--|--|
| 151 | 38300 42900 |  | Casing ケーシング         | 1  |  |  |  |  |  |  |  |
| 152 | 03407 66909 |  | Seal rubber シールラバ-   | 2  |  |  |  |  |  |  |  |
| 153 | 03407 66936 |  | Seal rubber シールラバ-   | 2  |  |  |  |  |  |  |  |
| 154 | 52370 44511 |  | Duct ダクト             | 1  |  |  |  |  |  |  |  |
| 155 | 03407 66826 |  | Seal rubber シールラバ-   | 1  |  |  |  |  |  |  |  |
| 156 | 52800 30310 |  | Duct ダクト             | 1  |  |  |  |  |  |  |  |
| 157 | 02201 08020 |  | Flange bolt フランジ付ボルト | 10 |  |  |  |  |  |  |  |



Go to Discount-Equipment.com to order your parts

## 52 - 00 LINING

| 見出番号<br>Ref. NO. | 部 品 番 号<br>Part NO. | 互換性<br>Inter-<br>change<br>ability | 部 品 名 称<br>Part Name |               | 数量<br>Q'ty | 適用号機範囲<br>Applicable Ser. No. |      |      |  | 変更<br>C/H | 備 考<br>Remarks |
|------------------|---------------------|------------------------------------|----------------------|---------------|------------|-------------------------------|------|------|--|-----------|----------------|
|                  |                     |                                    |                      |               |            | S400                          | F375 | G310 |  |           |                |
|                  | 52900 60220         |                                    | URETHANE FOAM KIT    | ウレタン フォーム キット |            | ◎                             | ◎    |      |  |           |                |
|                  | 52900 70420         |                                    | URETHANE FOAM KIT    | ウレタン フォーム キット |            |                               |      | ◎    |  |           |                |
| 1                | 52919 11230         |                                    | Lining               | ライニング         | 1          |                               |      |      |  |           |                |
| 2                | 52939 11740         |                                    | Lining               | ライニング         | 1          |                               |      |      |  |           |                |
| 3                | 52939 11840         |                                    | Lining               | ライニング         | 1          |                               |      |      |  |           |                |
| 4                | 52939 11940         |                                    | Lining               | ライニング         | 1          |                               |      |      |  |           |                |
| 5                | 52919 22830         |                                    | Lining               | ライニング         | 1          |                               |      |      |  |           |                |
| 6                | 52919 25130         |                                    | Lining               | ライニング         | 2          |                               |      |      |  |           |                |
| 7                | 52919 25230         |                                    | Lining               | ライニング         | 2          |                               |      |      |  |           |                |
| 8                | 52959 88050         |                                    | Lining               | ライニング         | 1          |                               |      |      |  |           |                |
| 9                | 52967 44500         |                                    | Lining               | ライニング         | 1          | ◎                             | ◎    |      |  |           |                |
| 9                | 52967 69020         |                                    | Lining               | ライニング         | 1          |                               |      | ◎    |  |           |                |
| 10               | 52931 18130         |                                    | Lining               | ライニング         | 1          |                               |      |      |  |           |                |
| 11               | 52931 18230         |                                    | Lining               | ライニング         | 1          |                               |      |      |  |           |                |
| 12               | 52959 27960         |                                    | Lining               | ライニング         | 1          |                               |      |      |  |           |                |
| 13               | 52968 31300         |                                    | Lining               | ライニング         | 1          |                               |      |      |  |           |                |
| 14               | 52968 31400         |                                    | Lining               | ライニング         | 1          |                               |      |      |  |           |                |
| 15               | 52967 48500         |                                    | Lining               | ライニング         | 1          |                               |      |      |  |           |                |
| 16               | 52977 11910         |                                    | Lining               | ライニング         | 2          |                               |      |      |  |           |                |
| 17               | 52977 22510         |                                    | Lining               | ライニング         | 2          | ◎                             | ◎    |      |  |           |                |
| 17               | 52977 35110         |                                    | Lining               | ライニング         | 2          |                               |      | ◎    |  |           |                |
| 18               | 52978 65400         |                                    | Lining               | ライニング         | 1          | ◎                             | ◎    |      |  |           |                |
| 18               | 52978 74100         |                                    | Lining               | ライニング         | 1          |                               |      | ◎    |  |           |                |
| 19               | 52977 22610         |                                    | Lining               | ライニング         | 1          | ◎                             | ◎    |      |  |           |                |
| 19               | 52977 35210         |                                    | Lining               | ライニング         | 1          |                               |      | ◎    |  |           |                |
| 20               | 52977 12210         |                                    | Lining               | ライニング         | 2          |                               |      |      |  |           |                |
| 21               | 52978 51300         |                                    | Lining               | ライニング         | 1          |                               |      |      |  |           |                |
| 22               | 52977 12310         |                                    | Lining               | ライニング         | 1          |                               |      |      |  |           |                |
| 23               | 52977 79500         |                                    | Lining               | ライニング         | 2          |                               |      |      |  |           |                |
| 24               | 52977 45900         |                                    | Lining               | ライニング         | 2          |                               |      |      |  |           |                |
| 25               | 52977 22710         |                                    | Lining               | ライニング         | 2          |                               |      |      |  |           |                |
| 26               | 52978 51400         |                                    | Lining               | ライニング         | 1          |                               |      |      |  |           |                |
| 27               | 52977 12610         |                                    | Lining               | ライニング         | 1          |                               |      |      |  |           |                |
| 28               | 52978 51500         |                                    | Lining               | ライニング         | 1          |                               |      |      |  |           |                |
| 29               | 52978 51600         |                                    | Lining               | ライニング         | 1          |                               |      |      |  |           |                |

エンジン パーツ  
ENGINE PARTS

|                       |              |
|-----------------------|--------------|
| 原動機型式<br>ENGINE MODEL | KUBOTA V3800 |
|-----------------------|--------------|

Go to [Discount-Equipment.com](https://Discount-Equipment.com) to order your parts

## NOTICE

This Parts List is for the following purposes.

1. When ordering parts, check with this Parts List to confirm the part number and the name of parts.
2. When making repairs, refer to the illustrations in this Parts List.
3. This Parts List is subject to change without notice.

## INSTRUCTIONS

Fig. No. .... Represents No. corresponding to each group name.

Components ..... The components of an assembly are identified by a bracket of dotted lines.

Point ..... Indicates that the parts is not sold independently.

The assembly containing the part needs to be ordered.

REF. No. .... Reference numbers are assigned to parts in the illustration. The code number of a part in the illustration can be identified by referring to the same reference number in the parts list.

Model name ..... The name of the basic model is indicated in this column. Other applicable models are indicated on the "REMARKS" column.

| ENGINE MODEL        | CODE No.    | REMARKS             |
|---------------------|-------------|---------------------|
| V3800-TIEF4B-COHE-1 | 1J303-14000 | PDS400 (SET ENGINE) |

S. No. .... Indicates a group of serial numbers to which a design change is applied.  
(serial No.)

I. C. .... Indicates the interchangeability of parts due to design change.  
(interchangeability)

..... ← indicates that a new part can replace an old part, but not vice versa.

..... ≠ indicates that the new and old parts are not interchangeable.

..... ↔ indicates that the new and old parts are interchangeable.

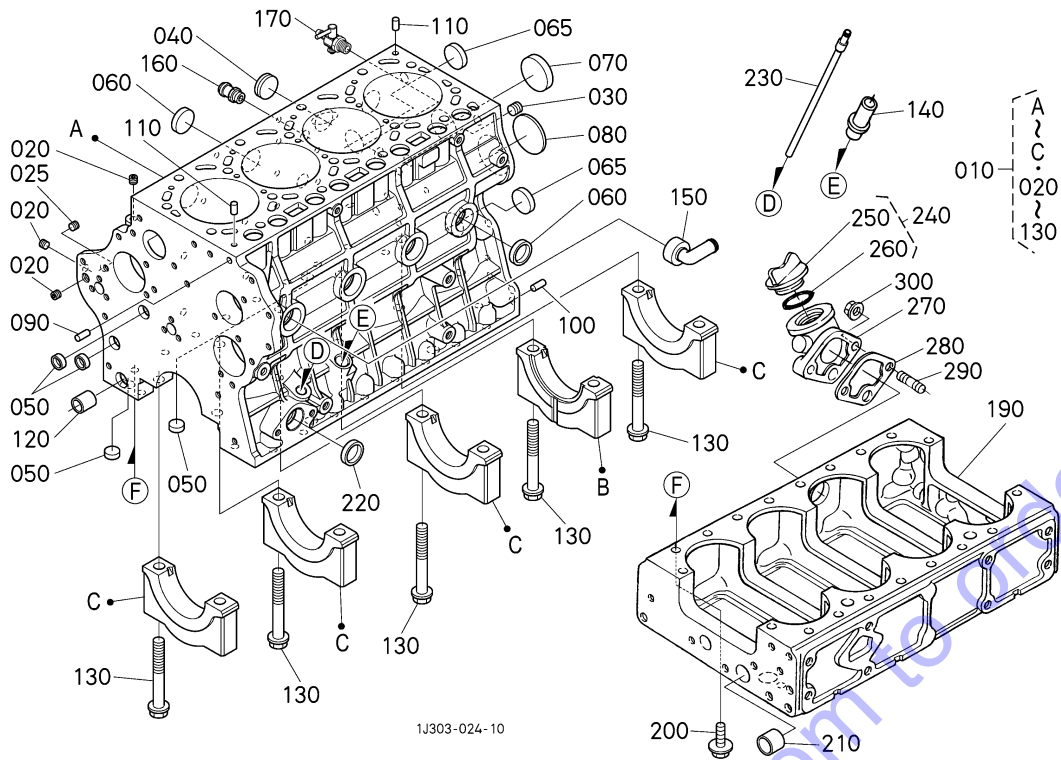
REMARKS ..... In this column, enter other applicable model names, dimensions and other special items.

STD ... Standard    SET ... Set sale

OLD ... Old parts, old shapes or old models

NEW ... New parts, new shapes or new models

# 500000 クランクケース CRANKCASE



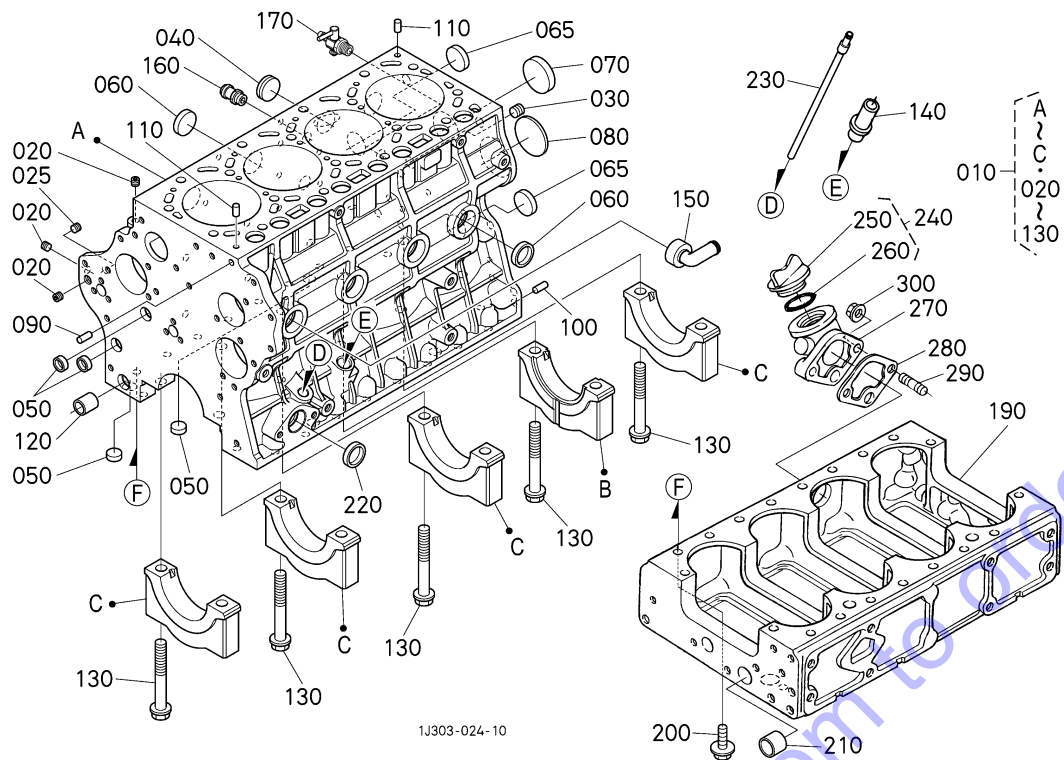
1J303-024-10

A: V3800-TIEF4B-COHE-1

| 図番<br>REF.No. | 品番<br>PART No. | 部品名称               | PART NAME               | 数量              | 互換<br>I.C. | 備考<br>REMARKS |
|---------------|----------------|--------------------|-------------------------|-----------------|------------|---------------|
|               |                |                    |                         | Q'TY/S.No.<br>A |            |               |
| 010           | 1J508-0101-2   | クランクケース, コンブ       | CRANKCASE, COMP         | 1               |            |               |
| 020           | 15521-9602-0   | プラグ (R1/8)         | PLUG                    | 3               |            |               |
| 025           | 15841-9602-0   | プラグ                | PLUG                    | 1               |            |               |
| 030           | 1C010-9601-0   | プラグ                | PLUG                    | 1               |            |               |
| 040           | 16683-9602-0   | プラグ (PT1)          | PLUG                    | 1               |            |               |
| 050           | 15261-0337-0   | ワカタプラグ             | CAP, SEALING            | 4               |            |               |
| 060           | 1J550-0338-0   | ワカタプラグ             | PLUG, CUP TYPE          | 6               |            |               |
| 065           | 15221-0338-0   | ワカタプラグ             | CAP, SEALING            | 2               |            |               |
| 070           | 15221-0339-0   | ワカタプラグ             | CAP, SEALING            | 1               |            |               |
| 080           | 1C010-9616-0   | バルブプラグ             | PLUG, EXPANSION         | 1               |            |               |
| 090           | 05012-00820    | アイコウピン             | PIN, STRAIGHT           | 1               |            |               |
| 100           | 05012-01016    | アイコウピン             | PIN STRAIGHT            | 4               |            |               |
| 110           | 15221-3365-0   | パイプピン              | PIN, PIPE               | 2               |            |               |
| 120           | 1C010-3364-3   | アイコウピン (1, キヤケース)  | PIN, STRAIGHT           | 1               |            |               |
| 130           | 1C010-0456-0   | ボルト (ベアリングケース)     | BOLT, BEARING CASE      | 10              |            |               |
| 140           | 1C040-3321-2   | パイプ (2, オイル)       | PIPE, OIL               | 1               |            |               |
| 150           | 1J550-7135-2   | コネクタ, コンブ (WP)     | JOINT, PIPE             | 1               |            |               |
| 160           | 1C010-3711-4   | ウォーターパイプ           | JOINT, WATER PIPE       | 1               |            |               |
| 170           | 1G377-7310-0   | コック (ドレーン)         | COCK (DRAIN)            | 1               |            |               |
| 180           | ---            | ブランク               | BLANK                   | -               |            |               |
| 190           | 1G518-0112-2   | クランクケース (2)        | CRANKCASE               | 1               |            |               |
| 200           | 01774-51030    | フランジボルト            | BOLT, FLANGE            | 16              |            |               |
| 210           | 1C010-3365-3   | アイコウピン (2, キヤケース)  | PIN, STRAIGHT           | 1               |            |               |
| 220           | 15221-0338-0   | ワカタプラグ             | CAP, SEALING            | 1               |            |               |
| 230           | 1J419-0584-0   | パイプ, コンブ (オイルリターン) | COMP. PIPE (OIL RETURN) | 1               |            |               |
| 240           | 1C010-3308-0   | プラグ, アツシ (キユウ)     | ASSY PLUG, O/FILLER     | 1               |            |               |
| 250           | E9151-3314-0   | プラグ (キユウ)          | PLUG (OIL FILLER)       | 1               |            |               |
| 260           | 04817-50300    | Oリング               | O RING                  | 1               |            |               |
| 270           | 15602-3311-0   | フランジ, キユウ          | FLANGE, OIL FILLER      | 1               |            |               |
| 280           | 15625-3289-0   | パッキン NA            | GASKET                  | 1               |            |               |

↔ 新旧部品兼用可: ≠ 新旧部品兼用不可: ← 新品は旧部品に兼用可: → 旧部品は新品に兼用可

# 500000 クランクケース CRANKCASE

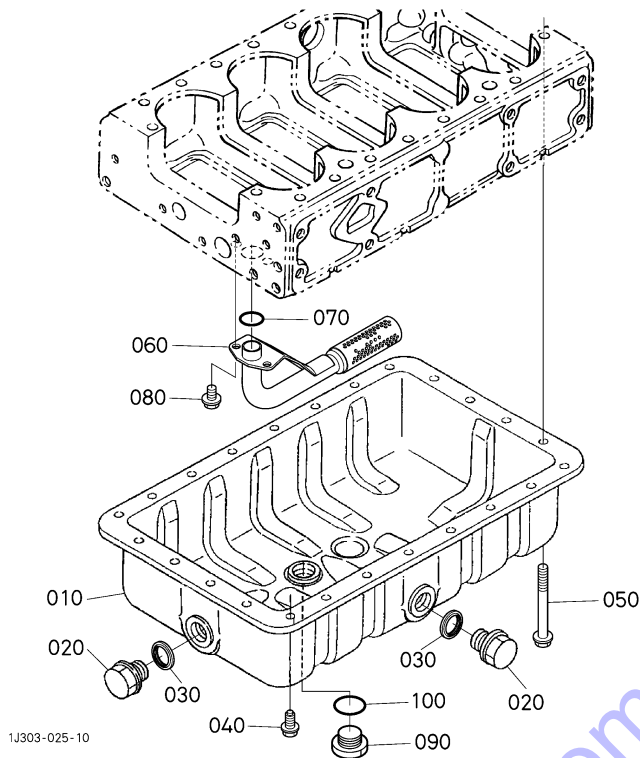


1J303-024-10

A: V3800-TIEF4B-COHE-1

| 図番<br>REF.No. | 品番<br>PART No. | 部品名称         | PART NAME  | 数量              | 互換<br>I.C. | 備考<br>REMARKS |
|---------------|----------------|--------------|------------|-----------------|------------|---------------|
|               |                |              |            | Q'TY/S.No.<br>A |            |               |
| 290           | 1J542-9163-2   | スタッド (M8X23) | STUD       | 2               |            |               |
| 300           | 02751-50080    | フランジナット      | NUT,FLANGE | 2               |            |               |
|               |                |              |            |                 |            |               |
|               |                |              |            |                 |            |               |
|               |                |              |            |                 |            |               |
|               |                |              |            |                 |            |               |
|               |                |              |            |                 |            |               |
|               |                |              |            |                 |            |               |
|               |                |              |            |                 |            |               |
|               |                |              |            |                 |            |               |
|               |                |              |            |                 |            |               |
|               |                |              |            |                 |            |               |
|               |                |              |            |                 |            |               |
|               |                |              |            |                 |            |               |
|               |                |              |            |                 |            |               |
|               |                |              |            |                 |            |               |
|               |                |              |            |                 |            |               |
|               |                |              |            |                 |            |               |
|               |                |              |            |                 |            |               |
|               |                |              |            |                 |            |               |
|               |                |              |            |                 |            |               |
|               |                |              |            |                 |            |               |
|               |                |              |            |                 |            |               |
|               |                |              |            |                 |            |               |
|               |                |              |            |                 |            |               |
|               |                |              |            |                 |            |               |
|               |                |              |            |                 |            |               |
|               |                |              |            |                 |            |               |
|               |                |              |            |                 |            |               |
|               |                |              |            |                 |            |               |
|               |                |              |            |                 |            |               |
|               |                |              |            |                 |            |               |
|               |                |              |            |                 |            |               |

# 501000 オイルパン OIL PAN



1J303-025-10

A:V3800-TIEF4B-C0HE-1

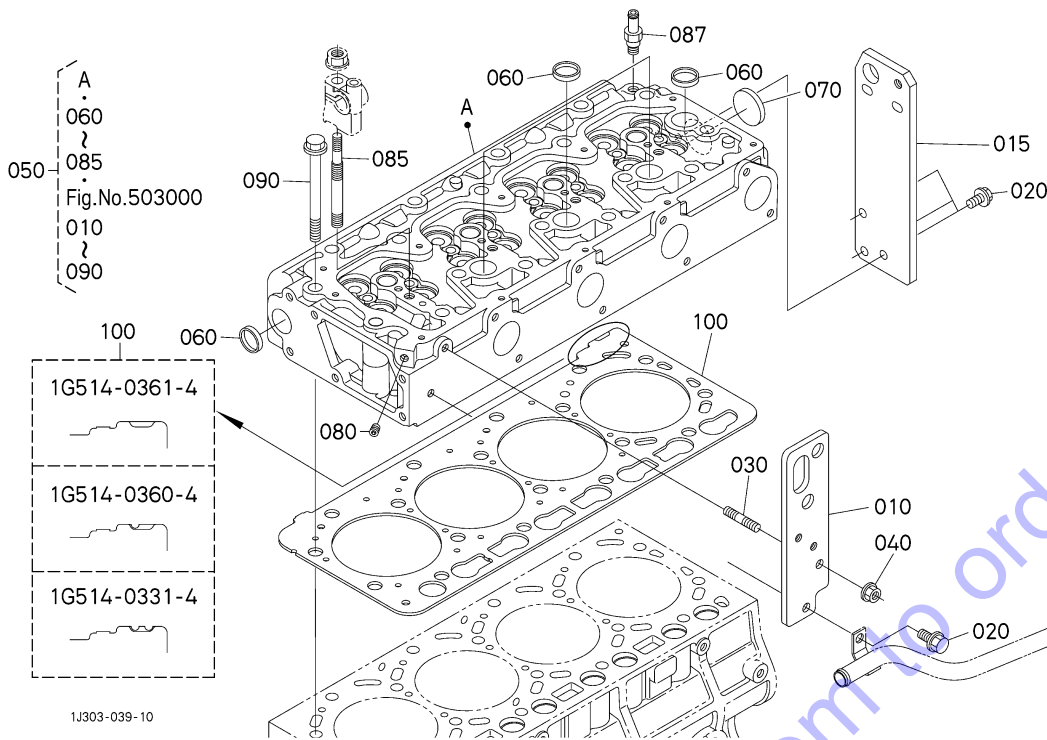
| 図番<br>REF.No. | 品番<br>PART No. | 部品名称               | PART NAME    | 数量              | 互換<br>I.C. | 備考<br>REMARKS |
|---------------|----------------|--------------------|--------------|-----------------|------------|---------------|
|               |                |                    |              | Q'TY/S.No.<br>A |            |               |
| 010           | 1G517-0150-2   | オイルパン, コンプ         | COMP,OIL PAN | 1               |            |               |
| 020           | 15707-3375-0   | プラグ (ドレン)          | PLUG(DRAIN)  | 2               |            |               |
| 030           | 16265-9667-0   | ガスケット (ドレン, オイルパン) | PACKING      | 2               |            |               |
| 040           | 1C010-9110-0   | ボルト (オイルパン)        | BOLT,OILPAN  | 20              |            |               |
| 050           | 01774-51004    | フランジ ボルト           | BOLT,FLANGE  | 4               |            |               |
| 060           | 1J550-3211-0   | フィルタ (1, オイル)      | FILTER,OIL   | 1               |            |               |
| 070           | 04814-00220    | Oリング               | O RING       | 1               |            |               |
| 080           | 01754-50812    | フランジ ボルト           | BOLT,FLANGE  | 2               |            |               |
| 090           | 36340-4356-3   | プラグ                | PLUG         | 1               |            |               |
| 100           | 04814-00220    | Oリング               | O RING       | 1               |            |               |
|               |                |                    |              |                 |            |               |
|               |                |                    |              |                 |            |               |
|               |                |                    |              |                 |            |               |
|               |                |                    |              |                 |            |               |
|               |                |                    |              |                 |            |               |
|               |                |                    |              |                 |            |               |
|               |                |                    |              |                 |            |               |
|               |                |                    |              |                 |            |               |
|               |                |                    |              |                 |            |               |
|               |                |                    |              |                 |            |               |
|               |                |                    |              |                 |            |               |
|               |                |                    |              |                 |            |               |
|               |                |                    |              |                 |            |               |
|               |                |                    |              |                 |            |               |
|               |                |                    |              |                 |            |               |
|               |                |                    |              |                 |            |               |
|               |                |                    |              |                 |            |               |
|               |                |                    |              |                 |            |               |
|               |                |                    |              |                 |            |               |
|               |                |                    |              |                 |            |               |

↔ 新旧部品兼用可; ≠ 新旧部品兼用不可; ← 新部品は旧部品に兼用可; → 旧部品は新部品に兼用可





# 502000 シリンダヘッド CYLINDER HEAD

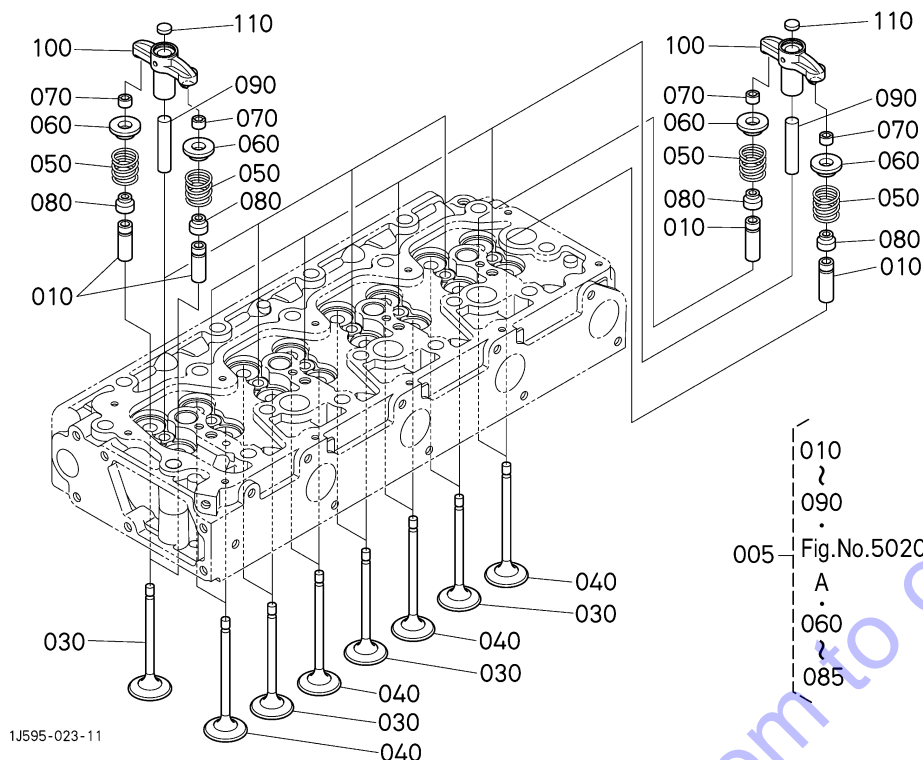


A: V3800-TIEF4B-COHE-1

| 図番<br>REF.No. | 品番<br>PART No. | 部品名称           | PART NAME          | 数量              | 互換<br>I.C. | 備考<br>REMARKS |
|---------------|----------------|----------------|--------------------|-----------------|------------|---------------|
|               |                |                |                    | Q'TY/S.No.<br>A |            |               |
| 010           | 1J508-0174-0   | フック(エンジン)      | HOOK(ENGINE)       | 1               |            |               |
| 015           | 1J509-0175-0   | フック(エンジン)      | HOOK(ENGINE)       | 1               |            |               |
| 020           | 1J500-9102-0   | フランジボルト(8X18)  | BOLT,FLANGE        | 4               |            |               |
| 030           | 1J542-9163-2   | スタッド(M8X23)    | STUD               | 1               |            |               |
| 040           | 02751-50080    | フランジナット        | NUT,FLANGE         | 1               |            |               |
| 050           | 1J574-0302-6   | シリンダヘッド,アツシ    | ASSY CYLINDER HEAD | 1               |            |               |
| 060           | 15221-0337-0   | ワシタプラグ         | PLUG,CUP TYPE      | 5               |            |               |
| 070           | 15221-0349-0   | ワシタプラグ         | CAP,SEALING        | 1               |            |               |
| 080           | 15521-9602-0   | プラグ(R1/8)      | PLUG               | 1               |            |               |
| 085           | 1J574-0341-0   | スタッド           | STUD               | 4               |            |               |
| 087           | 1J500-1761-0   | ワシタパイプ(ウォーター)  | JOINT,PIPE(WATER)  | 1               |            |               |
| 090           | 1C010-0345-0   | ヘッドボルト         | BOLT,CYLINDER HEAD | 18              |            |               |
| 100           | 1G514-0331-4   | ガスケット(シリンダヘッド) | GASKET,CYL.HEAD    | 1               |            | STD/切欠き 2個    |
| 100           | 1G514-0360-4   | ガスケット(シリンダヘッド) | GASKET,CYL.HEAD    | 1               |            | 適宜/切欠き 1個     |
| 100           | 1G514-0361-4   | ガスケット(シリンダヘッド) | GASKET,CYL.HEAD    | 1               |            | 適宜/切欠き 無し     |

↔ 新旧部品兼用可; ≠ 新旧部品兼用不可; ← 新部品は旧部品に兼用可; → 旧部品は新部品に兼用可

# 503000 インレットバルブ・エキゾーストバルブ INLET VALVE AND EXHAUST VALVE



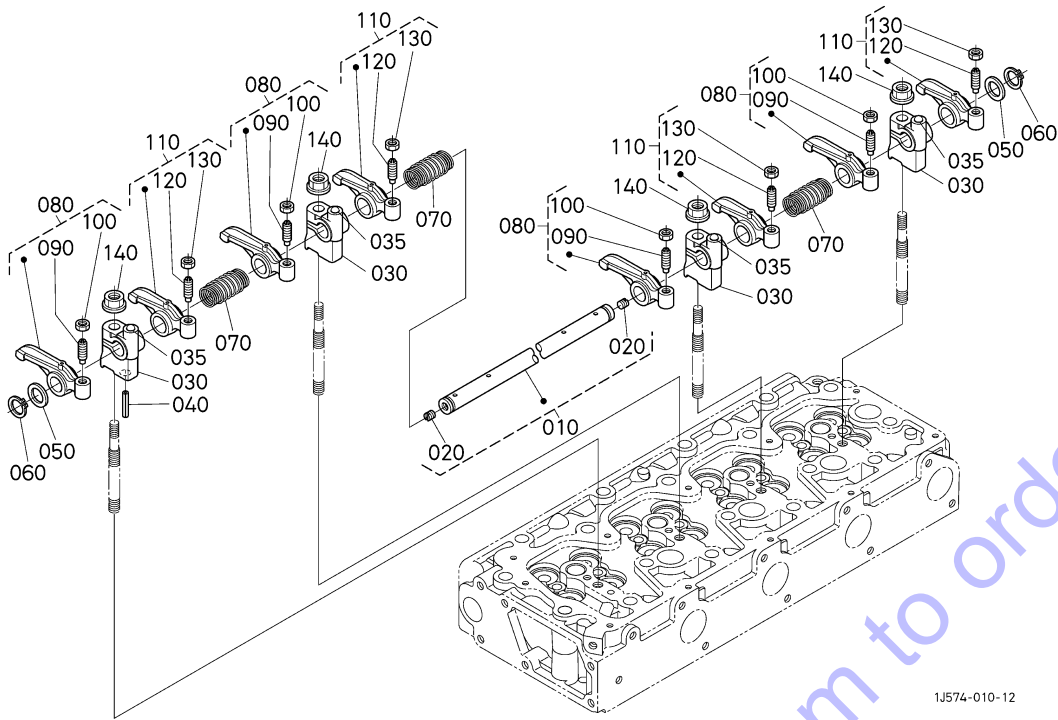
1J595-023-11

A: V3800-TIEF4B-COHE-1

| 図番<br>REF.No. | 品番<br>PART No. | 部品名称            | PART NAME             | 数量              | 互換<br>I.C. | 備考<br>REMARKS |
|---------------|----------------|-----------------|-----------------------|-----------------|------------|---------------|
|               |                |                 |                       | Q'TY/S.No.<br>A |            |               |
| 005           | 1J574-0302-6   | シリンダヘッド, アツシ    | ASSY CYLINDER HEAD    | 1               |            |               |
| 010           | 16261-1356-0   | ガイド (エキゾーストバルブ) | GUIDE, EXHAUST VALVE  | 16              |            |               |
| 020           | ---            | ブランク            | BLANK                 | -               |            |               |
| 030           | 1C020-1311-3   | バルブ (インレット)     | VALVE, INLET          | 8               |            |               |
| 040           | 1C020-1312-3   | バルブ (エキゾースト)    | VALVE, EXHAUST        | 8               |            |               |
| 050           | 1C010-1324-0   | バルブスプリング        | SPRING, VALVE         | 16              |            |               |
| 060           | 16261-1333-0   | リテーナ (バルブスプリング) | RETAINER, VALVE SP.   | 16              |            |               |
| 070           | 15261-1398-0   | コレット (2ヶ1セット)   | COLLET (VALVE SPRING) | 16              | SET        |               |
| 080           | 1C010-1315-0   | シール (バルブステム)    | SEAL, VALVE STEM      | 16              |            |               |
| 090           | 1C010-1348-2   | シャフト (バルブブリッジ)  | SHAFT, VALVE BURIGE   | 8               |            |               |
| 100           | 1C020-1346-3   | アーム (バルブブリッジ)   | ARM, VALVE BURI.      | 8               |            |               |
| 110           | 1C010-1349-0   | パッド             | PAD                   | 8               |            |               |

↔ 新旧部品兼用可; ≠ 新旧部品兼用不可; ← 新部品は旧部品に兼用可; → 旧部品は新部品に兼用可

# 504000 ロッカアーム軸 ROCKER ARM SHAFT



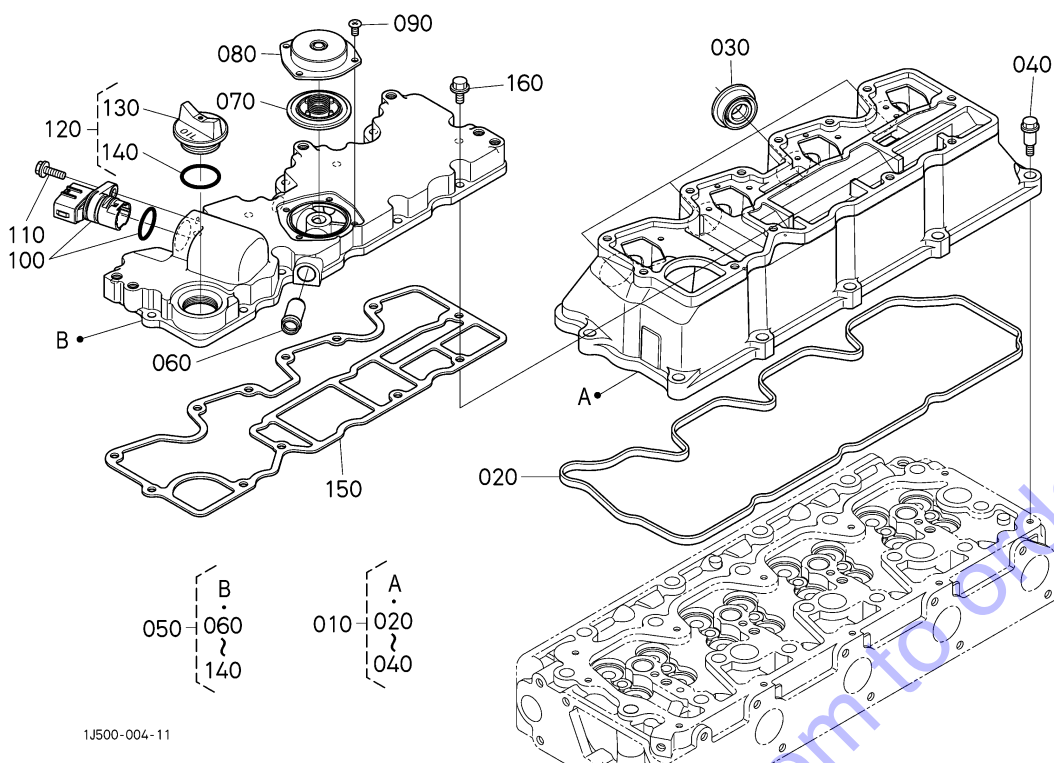
1J574-010-12

A:V3800-TIEF4B-COHE-1

| 図番<br>REF.No. | 品番<br>PART No. | 部品名称                  | PART NAME            | 数量              | 互換<br>I.C. | 備 考<br>REMARKS |
|---------------|----------------|-----------------------|----------------------|-----------------|------------|----------------|
|               |                |                       |                      | Q'TY/S.No.<br>A |            |                |
| 010           | 1C020-1405-0   | シャフト, アツシ (ロツカア-ム)    | ASSY SHAFT,R-ARM     | 1               |            |                |
| 020           | 03410-50808    | トメネジ                  | SCREW,SLOTTED        | 2               |            |                |
| 030           | 1J574-1435-3   | ブ ラケツト (ロツカア-ム)       | BRACKET,ROCKER ARM   | 4               |            |                |
| 035           | 07715-01605    | ボ-ル                   | BALL                 | 4               |            |                |
| 040           | 05411-00528    | ス プ リ ン グ ピ ン         | SPRING PIN           | 1               |            |                |
| 050           | 1C010-1443-0   | サ ー カ ー (ロツカア-ム シャフト) | WASHER               | 2               |            |                |
| 060           | 04612-00160    | シ ャ ッ ク サ-クリ ッ プ      | CIR-CLIP, EXTERNAL   | 2               |            |                |
| 070           | 1C020-1431-0   | ス プ リ ン グ (ロツカア-ム)    | SPRING(ROCKER ARM)   | 3               |            |                |
| 080           | 1C020-1402-3   | ロツカア-ム, アツシ (インレット)   | ASSY ROCKER ARM,IN.  | 4               |            |                |
| 090           | 1G896-1423-0   | ネジ (チヨウセイ)            | SCREW                | 4               |            |                |
| 100           | 15021-1424-0   | ナツト                   | NUT                  | 4               |            |                |
| 110           | 1C020-1415-3   | ロツカア-ム, アツシ (エキゾ-ースト) | ASSY ROCKER ARM,EXH. | 4               |            |                |
| 120           | 1G896-1423-0   | ネジ (チヨウセイ)            | SCREW                | 4               |            |                |
| 130           | 15021-1424-0   | ナツト                   | NUT                  | 4               |            |                |
| 140           | 02771-50100    | フ ラ ン ジ ナ ッ ト         | NUT,FLANGE           | 4               |            |                |

↔ 新旧部品兼用可; ≠ 新旧部品兼用不可; ← 新品は旧部品に兼用可; → 旧部品は新品に兼用可

# 505000 ヘッドカバー HEAD COVER



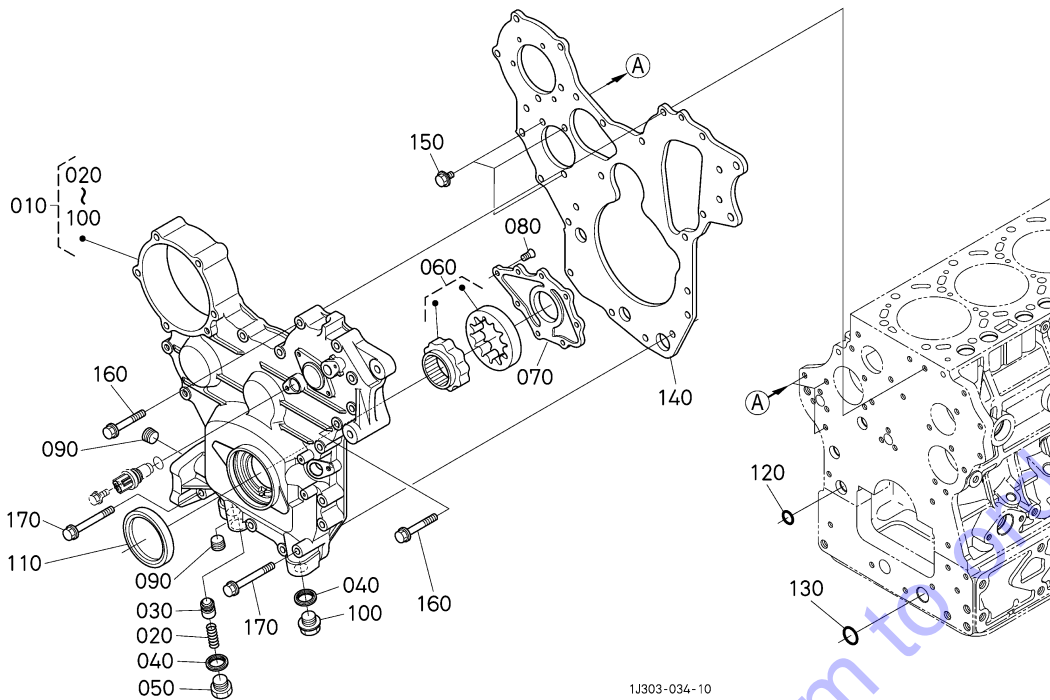
1J500-004-11

A: V3800-TIEF4B-COHE-1

| 図番<br>REF.No. | 品番<br>PART No. | 部品名称             | PART NAME                | 数量              | 互換<br>I.C. | 備考<br>REMARKS |
|---------------|----------------|------------------|--------------------------|-----------------|------------|---------------|
|               |                |                  |                          | Q'TY/S.No.<br>A |            |               |
| 010           | 1J500-1450-3   | ヘッドカバー(1), アツシ   | ASSY COVER,CYL.HEAD      | 1               |            |               |
| 020           | 1C020-1452-0   | ガスケット(ヘッドカバー)    | GASKET,HEAD COVER        | 1               |            |               |
| 030           | 1C020-5381-0   | シール(インジェクションパイプ) | SEAL,INJECTION PIPE      | 4               |            |               |
| 040           | 1G911-9102-2   | ボルト              | BOLT                     | 10              |            |               |
| 050           | 1J508-1458-2   | ヘッドカバー(2), アツシ   | COVER,HEAD               | 1               |            |               |
| 060           | 16241-0555-0   | フレザパイプ ツギテ       | JOINT,BREATHER PIPE      | 1               |            |               |
| 070           | 1A021-0543-0   | Oリング(フレザ)        | O RING,BREATHER          | 1               |            |               |
| 080           | 1G742-0512-0   | カバー(フレザ)         | COVER,BREATHER           | 1               |            |               |
| 090           | 03054-50508    | ナベ コネジ           | SCREW,PAN HEAD(PHILLIPS) | 4               |            |               |
| 100           | 1J574-6583-0   | コネクタ, アツシ        | ASSY CONNECTOR,2         | 1               |            |               |
| 110           | 01754-50620    | フランジボルト          | BOLT,FLANGE              | 1               |            |               |
| 120           | 1C010-3308-0   | プラグ, アツシ(キユウ)    | ASSY PLUG,O/FILLER       | 1               |            |               |
| 130           | E9151-3314-0   | プラグ(キユウ)         | PLUG(OIL FILLER)         | 1               |            |               |
| 140           | 04817-50300    | Oリング             | O RING                   | 1               |            |               |
| 150           | 1J500-1453-0   | ガスケット(ヘッドカバー, 2) | GASKET(COVER,HEAD)       | 1               |            |               |
| 160           | 01754-50620    | フランジボルト          | BOLT,FLANGE              | 12              |            |               |

↔ 新旧部品兼用可; ≠ 新旧部品兼用不可; ← 新部品は旧部品に兼用可; → 旧部品は新部品に兼用可

# 508000 ギヤケース GEAR CASE

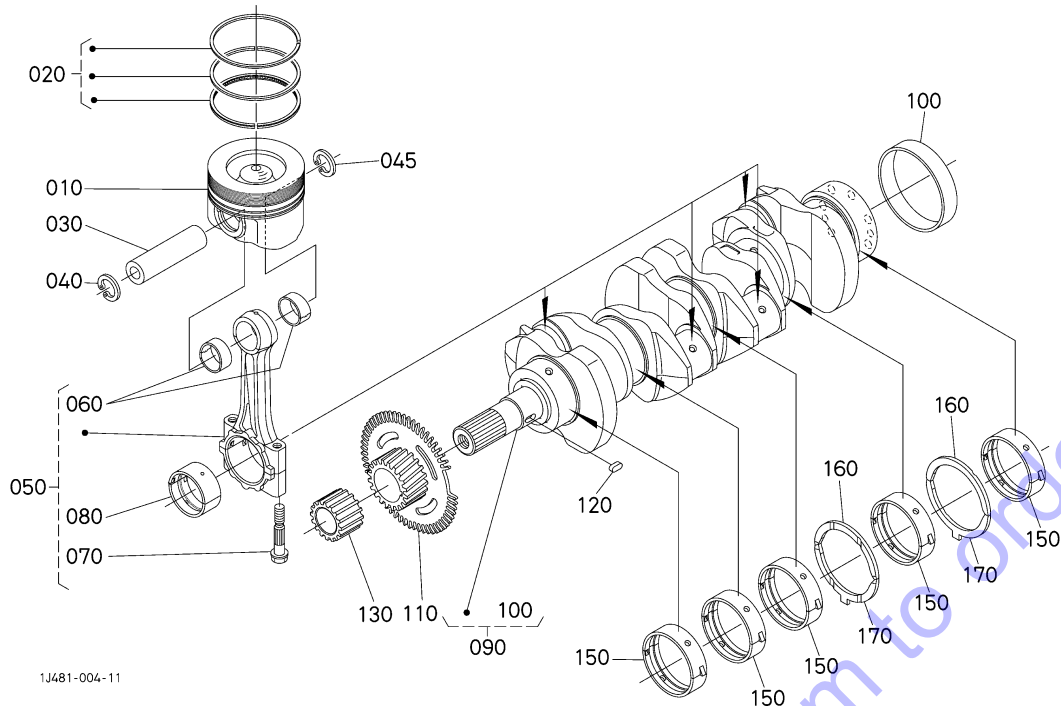


A: V3800-TIEF4B-COHE-1

| 図番<br>REF.No. | 品番<br>PART No. | 部品名称               | PART NAME                   | 数量              | 互換<br>I.C. | 備考<br>REMARKS |
|---------------|----------------|--------------------|-----------------------------|-----------------|------------|---------------|
|               |                |                    |                             | Q'TY/S.No.<br>A |            |               |
| 010           | 1G381-0401-3   | ギヤケース, アツシ         | ASSY CASE, GEAR             | 1               |            |               |
| 020           | 1C010-3695-0   | スプリング              | SPRING                      | 1               |            |               |
| 030           | 1C010-3692-2   | バルブ (リリーフ)         | VALVE, RELIEF               | 1               |            |               |
| 040           | 16265-9667-0   | ガスケット (ドレン, オイルパン) | PACKING                     | 2               |            |               |
| 050           | 1C010-3696-0   | プラグ (リリーフ)         | PLUG                        | 1               |            |               |
| 060           | 1C010-3507-0   | ロータ, アツシ (オイルポンプ)  | ROTOR, ASSY (OIL PUMP)      | 1               |            |               |
| 070           | 1C010-3513-0   | カバー (オイルポンプ)       | COVER, OIL PUMP             | 1               |            |               |
| 080           | 03016-50616    | ネジ (フラットヘッド)       | SCREW, FLAT HEAD (PHILLIPS) | 8               |            |               |
| 090           | 1C010-9602-0   | プラグ                | PLUG                        | 2               |            |               |
| 100           | 16286-3375-0   | プラグ (ドレン)          | PLUG, DRAIN                 | 1               |            |               |
| 110           | 1C020-0414-0   | オイルシール             | SEAL, OIL                   | 1               |            |               |
| 120           | 04814-00200    | Oリング               | O RING                      | 1               |            |               |
| 130           | 04814-00240    | Oリング               | O RING                      | 1               |            |               |
| 140           | 1C011-0416-4   | プレート (ギヤケース)       | PLATE, GEAR CASE            | 1               |            |               |
| 150           | 01754-50816    | フランジボルト            | BOLT, FLANGE                | 3               |            |               |
| 160           | 1C010-9103-0   | フランジボルト            | BOLT, FLANGE                | 11              |            |               |
| 170           | 1C010-9104-0   | フランジボルト            | BOLT, FLANGE                | 2               |            |               |

↔ 新旧部品兼用可; ≠ 新旧部品兼用不可; ← 新部品は旧部品に兼用可; → 旧部品は新部品に兼用可

# 511000 ピストン・クランク軸 PISTON AND CRANKSHAFT



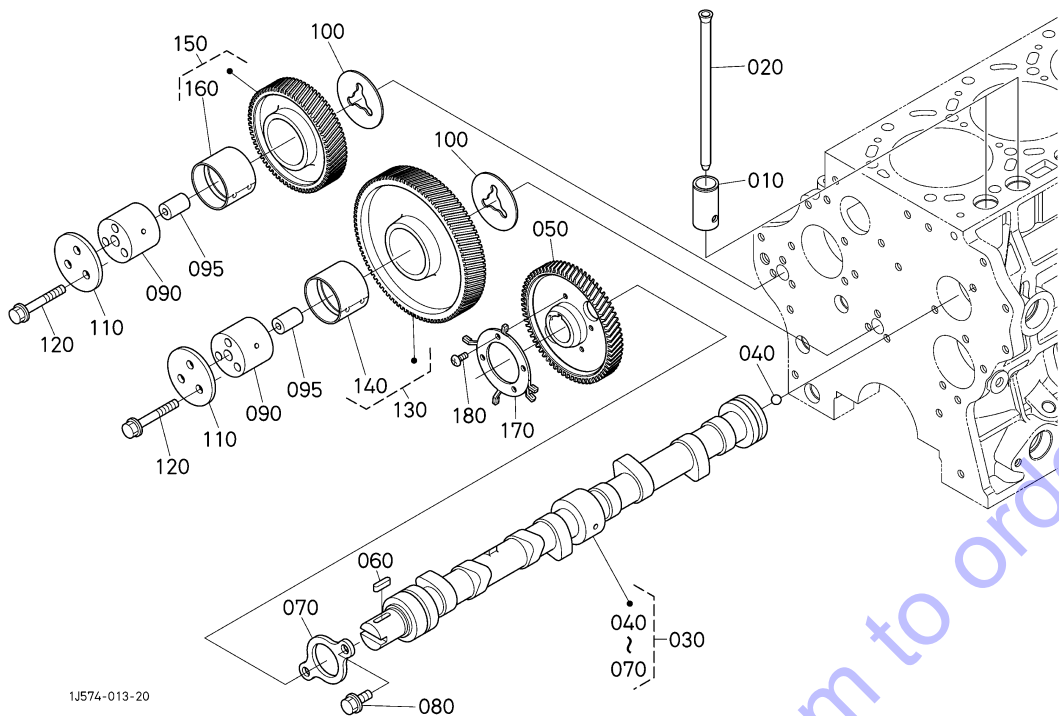
1J481-004-11

A: V3800-TIEF4B-COHE-1

| 図番<br>REF.No. | 品番<br>PART No. | 部品名称              | PART NAME             | 数量              | 互換<br>I.C. | 備考<br>REMARKS |
|---------------|----------------|-------------------|-----------------------|-----------------|------------|---------------|
|               |                |                   |                       | Q'TY/S.No.<br>A |            |               |
| 010           | 1J508-2111-0   | ピストン              | PISTON                | 4               |            | STD           |
| 010           | 1J508-2191-0   | ピストン(05)          | PISTON(05)            | 4               |            | +0.5mm        |
| 020           | 1J508-2105-0   | ピストンリング, アツシ      | RING, PISTON, ASSY    | 4               |            | STD           |
| 020           | 1J508-2109-0   | ピストンリング, アツシ(05)  | RING, PISTON, ASSY05  | 4               |            | +0.5mm        |
| 030           | 1J550-2131-0   | ピストンピン            | PIN, PISTON           | 4               |            |               |
| 040           | 04611-00300    | アナサークリップ          | CIR-CLIP, INTERNAL    | 4               |            |               |
| 045           | 04611-00300    | アナサークリップ          | CIR-CLIP, INTERNAL    | 4               |            |               |
| 050           | 1J574-2201-6   | コネクティングロッド, アツシ   | ASSY ROD, CONNECTING  | 4               |            |               |
| 060           | 1J574-2198-2   | ブッシュ(ピストンピン)      | BUSH, PISTON PIN      | 8               |            |               |
| 070           | 1C010-2214-2   | コンロッドボルト          | BOLT(ROD, CONNECTING) | 8               |            |               |
| 080           | 1C020-2231-3   | メタル(クランクピン) L     | METAL, CRANKPIN       | 4               |            | STD/青色/SET    |
| 080           | 1C020-2233-4   | メタル(クランクピン) S     | METAL, CRANKPIN       | 4               |            | STD/SET       |
| 080           | 1C020-2296-3   | メタル(クランクピン) 02    | METAL, CRANKPIN       | 4               |            | -0.2mm/緑色/SET |
| 080           | 1C020-2297-3   | メタル(クランクピン) 04    | METAL, CRANKPIN       | 4               |            | -0.4mm/赤色/SET |
| 090           | 1G381-2301-2   | クランクシャフト, コンフ     | COMP. CRANKSHAFT      | 1               |            |               |
| 100           | 1C010-2330-0   | スリーブ(クランクシャフト)    | SLEEVE(CRANKSHAFT)    | 1               |            |               |
| 110           | 1C057-2410-0   | ギヤ, コンフ(クランクシャフト) | GEAR COMP, CRANKSHAFT | 1               |            |               |
| 120           | 05712-00515    | フェザークー            | KEY, FEATHER          | 1               |            |               |
| 130           | 1G381-3563-0   | ギヤ(オイルポンプドライブ)    | GEAR(OIL PUMP DRIVE)  | 1               |            |               |
| 140           | ---            | クランク              | BLANK                 | -               |            |               |
| 150           | 1C020-2347-2   | メタル(クランクシャフト)     | METAL, CRANKSHAFT     | 5               |            | STD/SET       |
| 150           | 1C020-2391-2   | メタル(クランクシャフト) 02  | METAL, CRANKSHAFT     | 5               |            | -0.2mm/SET    |
| 150           | 1C020-2392-2   | メタル(クランクシャフト) 04  | METAL, CRANKSHAFT     | 5               |            | -0.4mm/SET    |
| 160           | 1C010-2353-2   | サイドメタル(1)         | METAL, SIDE           | 2               |            | STD           |
| 160           | 1C010-2395-2   | サイドメタル(1) 02      | METAL, SIDE           | 2               |            | +0.2mm        |
| 160           | 1C010-2396-2   | サイドメタル(1) 04      | METAL, SIDE           | 2               |            | +0.4mm        |
| 170           | 1C010-2354-2   | サイドメタル(2)         | METAL, SIDE           | 2               |            | STD           |
| 170           | 1C010-2397-2   | サイドメタル(2) 02      | METAL, SIDE           | 2               |            | +0.2mm        |
| 170           | 1C010-2398-2   | サイドメタル(2) 04      | METAL, SIDE           | 2               |            | +0.4mm        |

↔ 新旧部品兼用可: ≠ 新旧部品兼用不可: ← 新部品は旧部品に兼用可: → 旧部品は新部品に兼用可

# 512000 カム軸・アイドル軸 CAMSHAFT AND IDLE GEAR SHAFT



1J574-013-20

A: V3800-TIEF4B-COHE-1

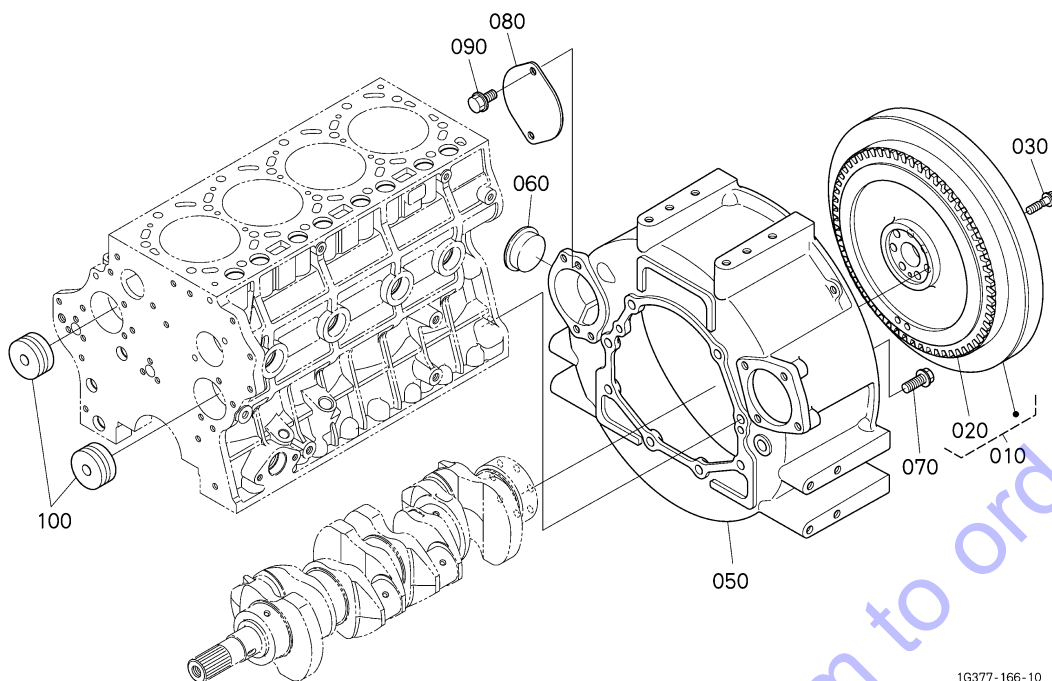
| 図番<br>REF.No. | 品番<br>PART No. | 部品名称             | PART NAME                | 数量              | 互換<br>I.C. | 備考<br>REMARKS |
|---------------|----------------|------------------|--------------------------|-----------------|------------|---------------|
|               |                |                  |                          | Q'TY/S.No.<br>A |            |               |
| 010           | 15601-1555-3   | タペット             | TAPPET                   | 8               |            |               |
| 020           | 1C010-1511-0   | プッシュロッド          | PUSH ROD                 | 8               |            |               |
| 030           | 1J574-1601-5   | カムシャフト, アツシ      | ASSY CAMSHAFT            | 1               |            |               |
| 040           | 07715-01605    | ボール              | BALL                     | 1               |            |               |
| 050           | 1J574-1651-2   | ギヤ(カム)           | GEAR,CAM                 | 1               |            |               |
| 060           | 05712-00520    | フェザーキー           | KEY,FEATHER              | 1               |            |               |
| 070           | 1C010-1627-0   | ストップ(カムシャフト)     | STOPPER(CAMSHAFT)        | 1               |            |               |
| 080           | 01754-50816    | フランジボルト          | BOLT,FLANGE              | 2               |            |               |
| 090           | 1C010-2425-0   | シャフト(アイドルギヤ)     | SHAFT(IDLE GEAR)         | 2               |            |               |
| 095           | 1C010-2452-0   | ピン(アイドルギヤ)       | PIN(GEAR IDLE)           | 2               |            |               |
| 100           | 1C010-2436-0   | カラー(1, アイドルギヤ)   | COLLAR(IDLE GEAR)        | 2               |            |               |
| 110           | 1C010-2437-0   | カラー(2, アイドルギヤ)   | COLLAR(IDLE GEAR)        | 2               |            |               |
| 120           | 01754-50855    | フランジボルト          | BOLT,FLANGE              | 6               |            |               |
| 130           | 1C010-2401-7   | ギヤ, コンフ(1, アイドル) | COMP.GEAR, IDLE          | 1               |            |               |
| 140           | 1C010-2498-3   | ブッシュ(アイドルギヤ)     | BUSH, IDLE GEAR          | 1               |            |               |
| 150           | 1C010-2402-7   | ギヤ, コンフ(2, アイドル) | GEAR, COMP(IDLE)         | 1               |            |               |
| 160           | 1C010-2498-3   | ブッシュ(アイドルギヤ)     | BUSH, IDLE GEAR          | 1               |            |               |
| 170           | 1J574-1691-3   | ギヤ(パルサー, G)      | GEAR(G-PULSER)           | 1               |            |               |
| 180           | 03057-50508    | バインドコネジ          | SCREW, BINDING(PHILLIPS) | 4               |            |               |

↔ 新旧部品兼用可: ≠ 新旧部品兼用不可: ← 新部品は旧部品に兼用可: → 旧部品は新部品に兼用可





# 515000 フライホイール FLYWHEEL



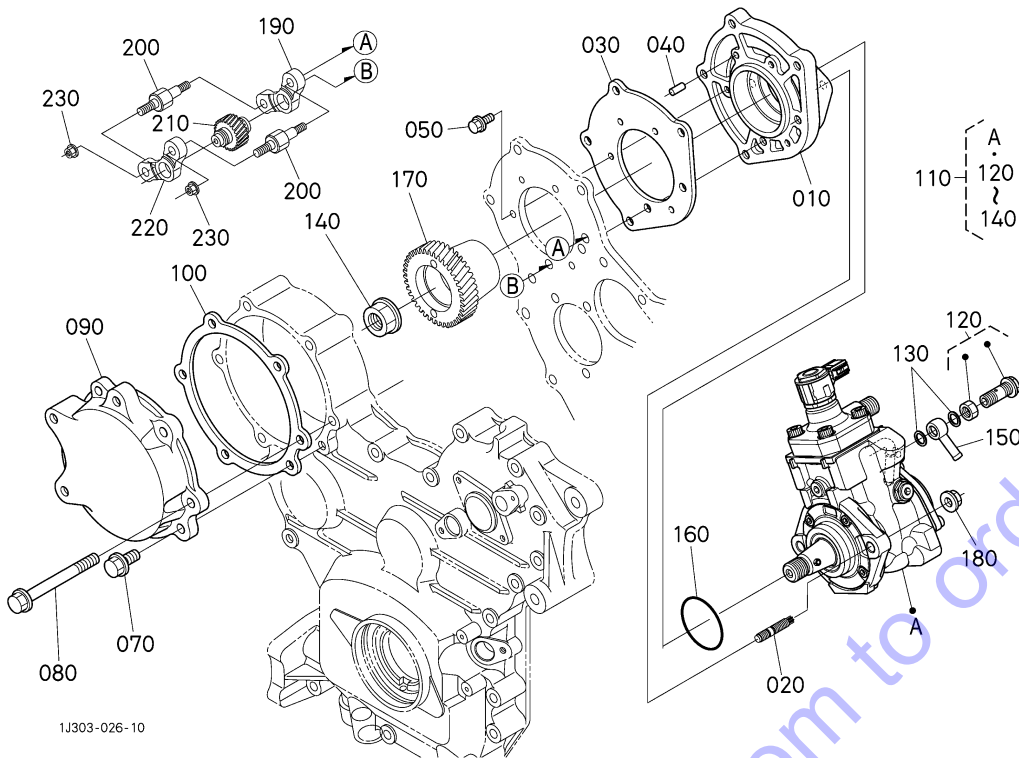
1G377-166-10

A: V3800-TIEF4B-COHE-1

| 図番<br>REF.No. | 品番<br>PART No. | 部品名称                | PART NAME         | 数量              | 互換<br>I.C. | 備考<br>REMARKS |
|---------------|----------------|---------------------|-------------------|-----------------|------------|---------------|
|               |                |                     |                   | Q'TY/S.No.<br>A |            |               |
| 010           | 1K988-2501-0   | フライホイール, コンパ        | FLYWHEEL, COMP    | 1               |            |               |
| 020           | 1G772-6382-3   | ギヤ(リング)             | GEAR, RING        | 1               |            |               |
| 030           | 15424-2516-2   | フライホイール ボルト         | BOLT, FLYWHEEL    | 7               |            |               |
| 040           | ---            | ブランク                | BLANK             | -               |            |               |
| 050           | 1K988-0461-2   | フライホイールハウジング        | HOUSING, FW       | 1               |            |               |
| 060           | 1C010-0468-0   | カバー(タイミングマト)        | COVER             | 1               |            |               |
| 070           | 1G772-9103-2   | フランジボルト(1, FWハウジング) | BOLT, FLANGE      | 8               |            |               |
| 080           | 1C010-0445-0   | カバー(F.W.ハウジング)      | COVER, FW HOUSING | 1               |            |               |
| 090           | 01774-51020    | フランジボルト             | BOLT, FLANGE      | 2               |            |               |
| 100           | 1C020-2634-0   | カバー-E(ブランサ)         | COVER, BLANCER    | 2               |            |               |
|               |                |                     |                   |                 |            |               |
|               |                |                     |                   |                 |            |               |
|               |                |                     |                   |                 |            |               |
|               |                |                     |                   |                 |            |               |
|               |                |                     |                   |                 |            |               |
|               |                |                     |                   |                 |            |               |
|               |                |                     |                   |                 |            |               |
|               |                |                     |                   |                 |            |               |
|               |                |                     |                   |                 |            |               |

↔ 新旧部品兼用可; ≠ 新旧部品兼用不可; ← 新部品は旧部品に兼用可; → 旧部品は新部品に兼用可

# 526500 サプライポンプ SUPPLY PUMP



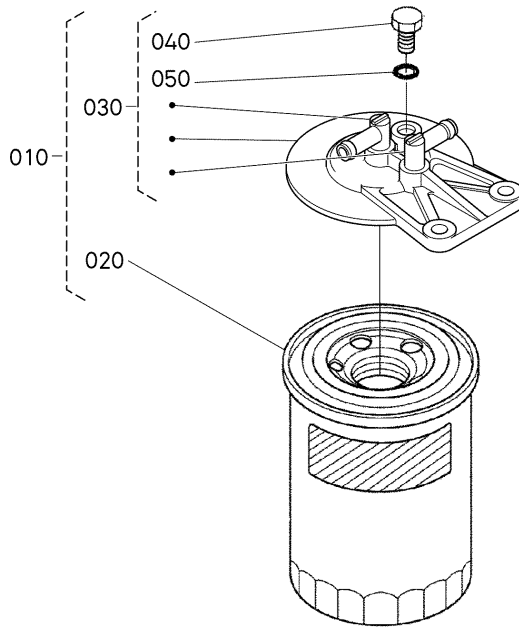
1J303-026-10

A: V3800-TIEF4B-COHE-1

| 図番<br>REF.No. | 品番<br>PART No. | 部品名称              | PART NAME            | 数量              | 互換<br>I.C. | 備考<br>REMARKS |
|---------------|----------------|-------------------|----------------------|-----------------|------------|---------------|
|               |                |                   |                      | Q'TY/S.No.<br>A |            |               |
| 010           | 1J508-5117-0   | ベース(サプライポンプ)      | BASE(SUPPLY PUMP)    | 1               |            |               |
| 020           | 1C020-9149-0   | スタッド (M8X25)      | STUD                 | 2               |            |               |
| 030           | 1J508-5118-0   | ガスケット (S. P. ベース) | GASKET(S.P.BASE)     | 1               |            |               |
| 040           | 05012-00614    | ハイクウピン            | PIN,STRAIGHT         | 1               |            |               |
| 050           | 01754-50616    | フランジボルト           | BOLT,FLANGE          | 2               |            |               |
| 060           | ----           | ブランク              | BLANK                | -               |            |               |
| 070           | 01754-50825    | フランジボルト           | BOLT,FLANGE          | 1               |            |               |
| 080           | 01754-50875    | フランジボルト           | BOLT,FLANGE          | 5               |            |               |
| 090           | 1C020-5165-0   | カバー(インジェクションポンプ)  | COVER(INJ.PUMP)      | 1               |            |               |
| 100           | 1C010-5166-3   | ガスケット(I. P. カバー)  | GASKET,IP COVER      | 1               |            |               |
| 110           | 1J508-5050-0   | ポンプ,アツシ(サプライ)     | PUMP,ASSY(SUPPLY)    | 1               |            |               |
| 120           | 1J508-5132-0   | ツギテボルト,コンパ        | BOLT,CONNECTING,COMP | 1               |            |               |
| 130           | 1J574-9666-0   | ガスケット             | GASKET               | 2               |            |               |
| 140           | 1J508-9292-0   | フランジナット           | NUT,FLANGE           | 1               |            |               |
| 150           | 15451-9568-0   | アイカンツギテ           | JOINT,EYE            | 1               |            |               |
| 160           | 1J574-5213-0   | ガスケット(サプライポンプ)    | GASKET(PUMP)         | 1               |            |               |
| 170           | 1J508-5115-0   | ギヤ(サプライポンプ)       | GEAR(SUPPLY PUMP)    | 1               |            |               |
| 180           | 02751-50080    | フランジナット           | NUT,FLANGE           | 2               |            |               |
| 190           | 1J508-2465-0   | ホルダ(アイドルギヤ3)      | HOLDER(3,IDLE)       | 1               |            |               |
| 200           | 1J508-2469-0   | ボルト(アイドルギヤ3)      | BOLT(IDLE,3)         | 2               |            |               |
| 210           | 1J508-2461-0   | ギヤ(3,アイドル)        | GEAR(3,IDLE)         | 1               |            |               |
| 220           | 1J508-2465-0   | ホルダ(アイドルギヤ3)      | HOLDER(3,IDLE)       | 1               |            |               |
| 230           | 02751-50080    | フランジナット           | NUT,FLANGE           | 2               |            |               |

↔ 新旧部品兼用可: ≠ 新旧部品兼用不可: ← 新部品は旧部品に兼用可: → 旧部品は新部品に兼用可

# 531001 燃料フィルタ FUEL FILTER



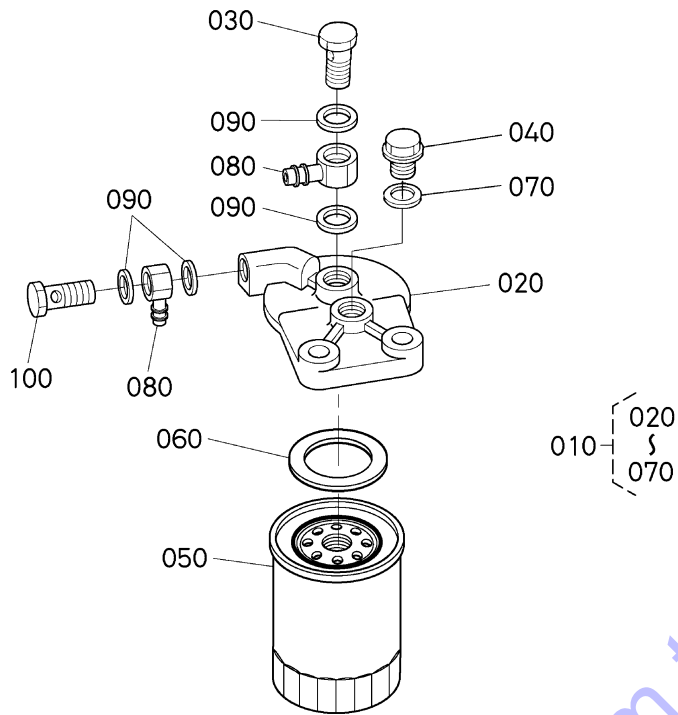
1G390-010-11

A: V3800-TIEF4B-COHE-1

| 図番<br>REF.No. | 品番<br>PART No. | 部品名称               | PART NAME          | 数量<br>Q'TY/S.No. | 互換<br>I.C. | 備考<br>REMARKS |
|---------------|----------------|--------------------|--------------------|------------------|------------|---------------|
|               |                |                    |                    | A                |            |               |
| 010           | 1G381-4301-2   | フィルタ, アツシ(フューエル)   | FILTER, ASSY(FUEL) | 1                |            |               |
| 020           | 1K947-4317-2   | フィルタ(カートリッジ)       | CARTRIDGE, FILTER  | 1                |            |               |
| 030           | 1G390-4322-0   | ベース(フィルタ)          | BASE, FILTER       | 1                |            |               |
| 040           | 1G390-4341-0   | コネジ(エアヌキ, M8X1.25) | PLUG(M8X1.25)      | 1                |            |               |
| 050           | 1G390-4397-0   | パッキン(エアヌキプラグ)      | GASKET             | 1                |            |               |
|               |                |                    |                    |                  |            |               |
|               |                |                    |                    |                  |            |               |
|               |                |                    |                    |                  |            |               |
|               |                |                    |                    |                  |            |               |
|               |                |                    |                    |                  |            |               |
|               |                |                    |                    |                  |            |               |
|               |                |                    |                    |                  |            |               |
|               |                |                    |                    |                  |            |               |
|               |                |                    |                    |                  |            |               |
|               |                |                    |                    |                  |            |               |
|               |                |                    |                    |                  |            |               |
|               |                |                    |                    |                  |            |               |
|               |                |                    |                    |                  |            |               |
|               |                |                    |                    |                  |            |               |

↔ 新旧部品兼用可; ≠ 新旧部品兼用不可; ← 新部品は旧部品に兼用可; → 旧部品は新部品に兼用可

# 531002 燃料フィルタ FUEL FILTER



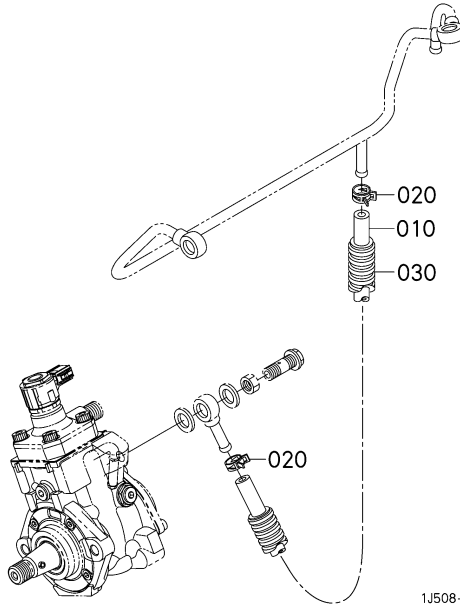
1G882-012-30

A: V3800-TIEF4B-COHE-1

| 図番<br>REF.No. | 品番<br>PART No. | 部品名称              | PART NAME            | 数量              | 互換<br>I.C. | 備考<br>REMARKS |
|---------------|----------------|-------------------|----------------------|-----------------|------------|---------------|
|               |                |                   |                      | Q'TY/S.No.<br>A |            |               |
| 010           | 1G518-4301-0   | フィルタ, アツシ (フューエル) | ASSY FILTER, FUEL    | 1               |            |               |
| 020           | 16541-4321-0   | カバー               | COVER                | 1               |            |               |
| 030           | 16541-9579-0   | ツギテボルト            | BOLT, JOINT          | 1               |            |               |
| 040           | 19077-4328-0   | プラグ               | PLUG                 | 1               |            |               |
| 050           | 16631-4356-0   | フューエルフィルタ-エレメント   | ELEMENT, FUEL FILTER | 1               |            |               |
| 060           | 16541-4333-0   | パッキン              | GASKET               | 1               |            |               |
| 070           | 17105-3368-0   | パッキン              | GASKET               | 1               |            |               |
| 080           | 15401-9569-3   | アイコンツギテ           | JOINT, EYE           | 2               |            |               |
| 090           | 17105-3368-0   | パッキン              | GASKET               | 4               |            |               |
| 100           | 16541-9579-0   | ツギテボルト            | BOLT, JOINT          | 1               |            |               |
|               |                |                   |                      |                 |            |               |
|               |                |                   |                      |                 |            |               |
|               |                |                   |                      |                 |            |               |
|               |                |                   |                      |                 |            |               |
|               |                |                   |                      |                 |            |               |
|               |                |                   |                      |                 |            |               |
|               |                |                   |                      |                 |            |               |
|               |                |                   |                      |                 |            |               |
|               |                |                   |                      |                 |            |               |
|               |                |                   |                      |                 |            |               |
|               |                |                   |                      |                 |            |               |
|               |                |                   |                      |                 |            |               |
|               |                |                   |                      |                 |            |               |
|               |                |                   |                      |                 |            |               |
|               |                |                   |                      |                 |            |               |
|               |                |                   |                      |                 |            |               |
|               |                |                   |                      |                 |            |               |
|               |                |                   |                      |                 |            |               |
|               |                |                   |                      |                 |            |               |

↔ 新旧部品兼用可; ≠ 新旧部品兼用不可; ← 新部品は旧部品に兼用可; → 旧部品は新部品に兼用可

531500 燃料パイプ  
FUEL PIPE

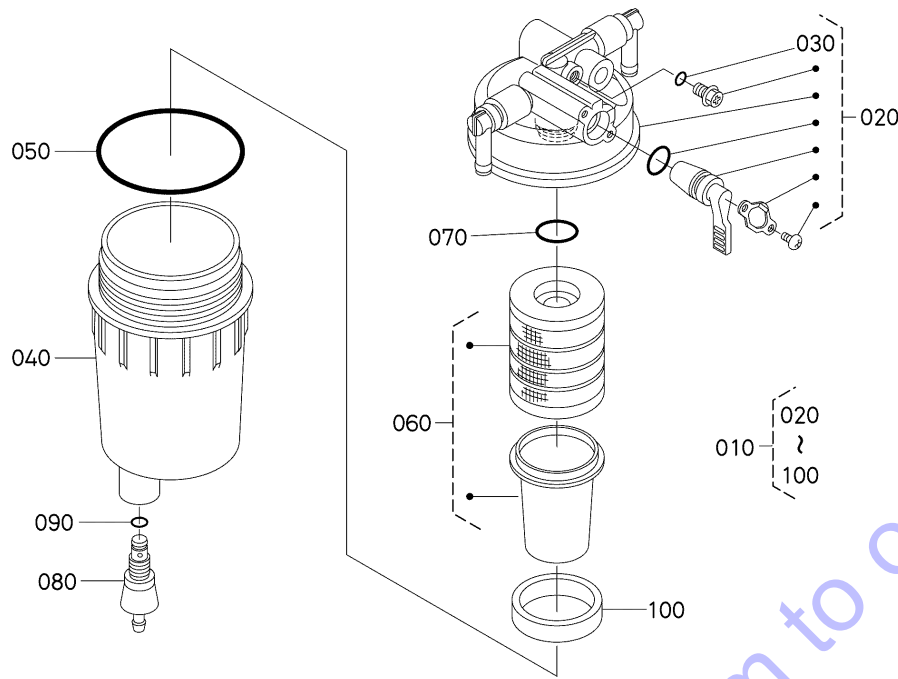


1J508-004-11

A: V3800-TIEF4B-C0HE-1

| 図番<br>REF.No. | 品番<br>PART No. | 部品名称         | PART NAME       | 数量              | 互換<br>I.C. | 備考<br>REMARKS |
|---------------|----------------|--------------|-----------------|-----------------|------------|---------------|
|               |                |              |                 | Q'TY/S.No.<br>A |            |               |
| 010           | 1J508-4211-2   | フューエルチューブ    | TUBE,FUEL       | 1               |            |               |
| 020           | 14911-4275-0   | パイプクリップ      | CLIP,PIPE       | 2               |            |               |
| 030           | 1J508-4221-0   | チューブ (コルゲート) | TUBE(CORRUGATE) | 1               |            |               |
|               |                |              |                 |                 |            |               |
|               |                |              |                 |                 |            |               |
|               |                |              |                 |                 |            |               |
|               |                |              |                 |                 |            |               |
|               |                |              |                 |                 |            |               |
|               |                |              |                 |                 |            |               |
|               |                |              |                 |                 |            |               |
|               |                |              |                 |                 |            |               |
|               |                |              |                 |                 |            |               |
|               |                |              |                 |                 |            |               |
|               |                |              |                 |                 |            |               |
|               |                |              |                 |                 |            |               |
|               |                |              |                 |                 |            |               |
|               |                |              |                 |                 |            |               |
|               |                |              |                 |                 |            |               |
|               |                |              |                 |                 |            |               |
|               |                |              |                 |                 |            |               |

# 532500 セパレータ SEPARATOR



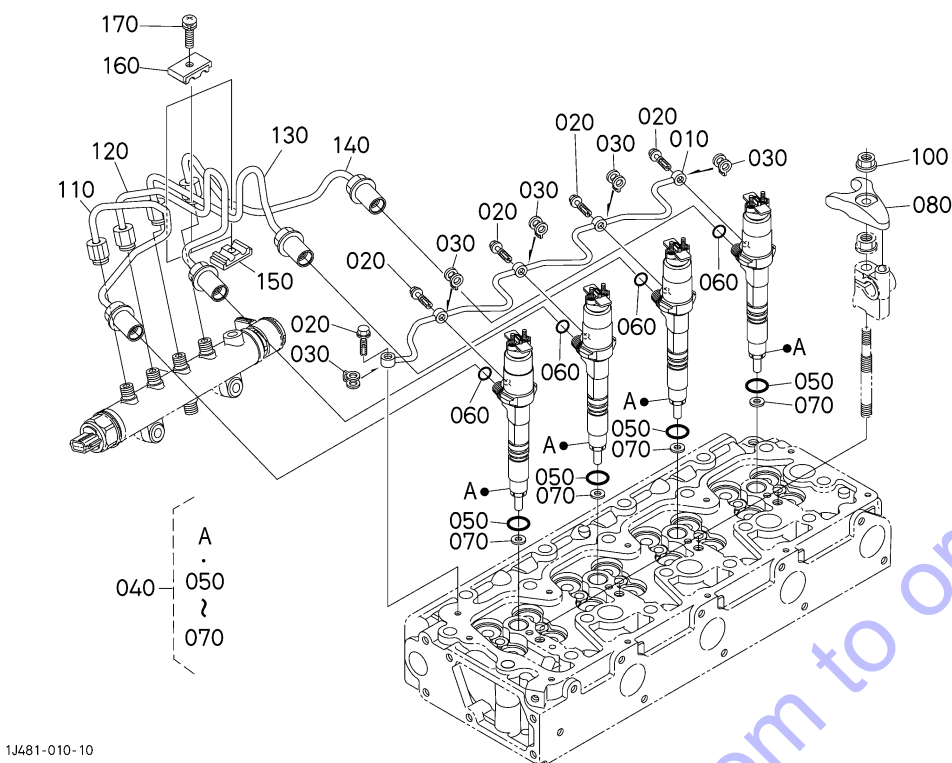
RD451-009-11

A: V3800-TIEF4B-COHE-1

| 図番<br>REF.No. | 品番<br>PART No. | 部品名称               | PART NAME                | 数量              | 互換<br>I.C. | 備考<br>REMARKS |
|---------------|----------------|--------------------|--------------------------|-----------------|------------|---------------|
|               |                |                    |                          | Q'TY/S.No.<br>A |            |               |
| 010           | RD451-5136-0   | フィルタ, アツシ (Wセパレータ) | FILTER ASSY(W,SEPARATOR) | 1               |            |               |
| 020           | RD451-5191-0   | ボデー, アツシ           | ASSY BODY                | 1               |            |               |
| 030           | 04817-00060    | Oリング               | O RING                   | 1               |            |               |
| 040           | RD451-5192-0   | カップ                | CUP                      | 1               |            |               |
| 050           | RD451-5193-0   | Oリング               | O RING                   | 1               |            |               |
| 060           | RD451-5194-0   | エレメント, アツシ         | ASSY ELEMENT             | 1               |            |               |
| 070           | 04817-00160    | Oリング               | O RING                   | 1               |            |               |
| 080           | RD451-5195-0   | プラグ (ドレン)          | PLUG, DRAIN              | 1               |            |               |
| 090           | 04817-00070    | Oリング               | O RING                   | 1               |            |               |
| 100           | RD451-5196-0   | フロート               | FLOAT                    | 1               |            |               |
|               |                |                    |                          |                 |            |               |
|               |                |                    |                          |                 |            |               |
|               |                |                    |                          |                 |            |               |
|               |                |                    |                          |                 |            |               |
|               |                |                    |                          |                 |            |               |
|               |                |                    |                          |                 |            |               |
|               |                |                    |                          |                 |            |               |
|               |                |                    |                          |                 |            |               |
|               |                |                    |                          |                 |            |               |
|               |                |                    |                          |                 |            |               |
|               |                |                    |                          |                 |            |               |
|               |                |                    |                          |                 |            |               |
|               |                |                    |                          |                 |            |               |
|               |                |                    |                          |                 |            |               |
|               |                |                    |                          |                 |            |               |
|               |                |                    |                          |                 |            |               |
|               |                |                    |                          |                 |            |               |
|               |                |                    |                          |                 |            |               |
|               |                |                    |                          |                 |            |               |
|               |                |                    |                          |                 |            |               |

↔ 新旧部品兼用可; ≠ 新旧部品兼用不可; ← 新部品は旧部品に兼用可; → 旧部品は新部品に兼用可

# 545000 燃料噴射パイプ INJECTION PIPE



1J481-010-10

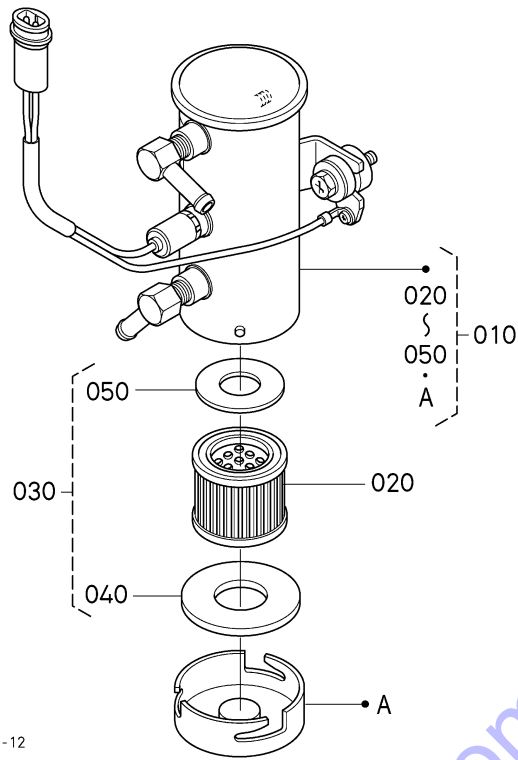
A: V3800-T1EF4B-COHE-1

| 図番<br>REF.No. | 品番<br>PART No. | 部品名称                | PART NAME             | 数量<br>Q'TY/S.No. | 互換<br>I.C. | 備考<br>REMARKS |
|---------------|----------------|---------------------|-----------------------|------------------|------------|---------------|
|               |                |                     |                       | A                |            |               |
| 010           | 1J574-4250-0   | ハ°イフ, アツシ(オーハ°-フロ-) | ASSY PIPE, OVER FLOW  | 1                |            |               |
| 020           | 1C020-9581-0   | ボ°ルト(アイカンツギテ)       | BOLT(JOINT, SWV PIPE) | 5                |            |               |
| 030           | 1J550-9673-0   | ガ°スケット              | GASKET                | 5                |            |               |
| 040           | 1J508-5307-0   | インヅエクタ, キット         | INJECTOR, KIT         | 4                |            |               |
| 050           | 04814-00160    | O リング               | O RING                | 4                |            |               |
| 060           | 04814-05120    | Oリング                | O RING                | 4                |            |               |
| 070           | 1G796-5362-0   | ハ°ツキン               | PACKING               | 4                |            |               |
| 080           | 1J574-5315-0   | クランプ (インヅエクタ)       | CLAMP                 | 4                |            |               |
| 090           | ---            | ブ°ランク               | BLANK                 | -                |            |               |
| 100           | 02751-50080    | フランヅナツト             | NUT, FLANGE           | 4                |            |               |
| 110           | 1J508-5371-0   | ハ°イフ (インヅエクション, 1)  | PIPE(INJECTION)       | 1                |            |               |
| 120           | 1J508-5372-0   | ハ°イフ (インヅエクション, 2)  | PIPE(INJECTION, 2)    | 1                |            |               |
| 130           | 1J508-5373-0   | ハ°イフ (インヅエクション, 3)  | PIPE(INJECTION, 3)    | 1                |            |               |
| 140           | 1J508-5374-0   | ハ°イフ (インヅエクション, 4)  | PIPE(INJECTION, 4)    | 1                |            |               |
| 150           | 15841-5385-0   | ハ°イフ クランプ° 1        | CLAMP, PIPE           | 3                |            |               |
| 160           | 15841-5386-0   | ハ°イフ クランプ° 2        | CLAMP, PIPE           | 3                |            |               |
| 170           | 03024-50520    | ザ°ガ°ネツキ コネヅ         | SCREW, SEMS(PAN HEAD) | 3                |            |               |
|               |                |                     |                       |                  |            |               |
|               |                |                     |                       |                  |            |               |
|               |                |                     |                       |                  |            |               |
|               |                |                     |                       |                  |            |               |
|               |                |                     |                       |                  |            |               |
|               |                |                     |                       |                  |            |               |
|               |                |                     |                       |                  |            |               |
|               |                |                     |                       |                  |            |               |
|               |                |                     |                       |                  |            |               |
|               |                |                     |                       |                  |            |               |
|               |                |                     |                       |                  |            |               |
|               |                |                     |                       |                  |            |               |
|               |                |                     |                       |                  |            |               |
|               |                |                     |                       |                  |            |               |
|               |                |                     |                       |                  |            |               |
|               |                |                     |                       |                  |            |               |
|               |                |                     |                       |                  |            |               |
|               |                |                     |                       |                  |            |               |
|               |                |                     |                       |                  |            |               |
|               |                |                     |                       |                  |            |               |
|               |                |                     |                       |                  |            |               |
|               |                |                     |                       |                  |            |               |

↔ 新旧部品兼用可; ≠ 新旧部品兼用不可; ← 新部品は旧部品に兼用可; → 旧部品は新部品に兼用可



547100 燃料ポンプ (電気式)  
FUEL PUMP (ELECTRICAL)



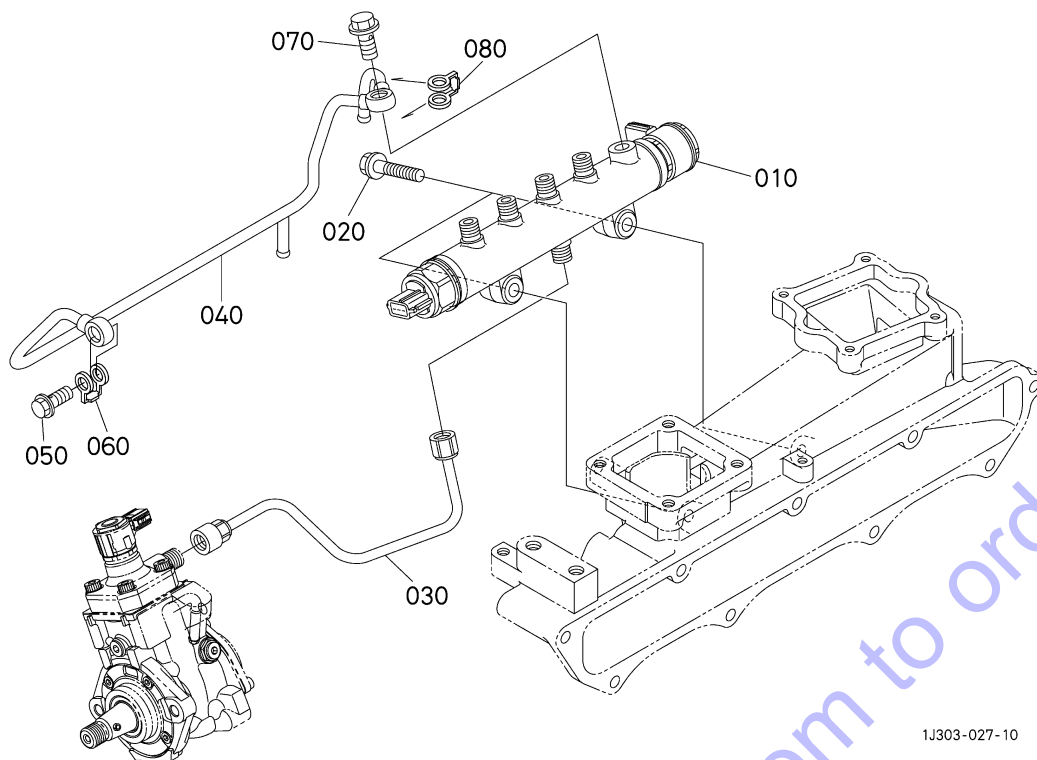
3P903-012-12

A: V3800-TIEF4B-COHE-1

| 図番<br>REF.No. | 品番<br>PART No. | 部品名称             | PART NAME      | 数量              | 互換<br>I.C. | 備考<br>REMARKS |
|---------------|----------------|------------------|----------------|-----------------|------------|---------------|
|               |                |                  |                | Q'TY/S.No.<br>A |            |               |
| 010           | 3T400-5203-2   | ポンプ, コンブ (フューエル) | COMP.PUMP,FUEL | 1               |            |               |
| 020           | 1G410-5230-0   | フィルタ             | FILTER         | 1               |            |               |
| 030           | 1G410-5239-0   | ガスケット, キット       | KIT,GASKET     | 1               |            |               |
| 040           | 3T999-0159-0   | ガスケット            | GASKET         | 1               |            |               |
| 050           | 3T999-0160-0   | ガスケット            | GASKET         | 1               |            |               |
|               |                |                  |                |                 |            |               |
|               |                |                  |                |                 |            |               |
|               |                |                  |                |                 |            |               |
|               |                |                  |                |                 |            |               |
|               |                |                  |                |                 |            |               |
|               |                |                  |                |                 |            |               |
|               |                |                  |                |                 |            |               |
|               |                |                  |                |                 |            |               |
|               |                |                  |                |                 |            |               |
|               |                |                  |                |                 |            |               |
|               |                |                  |                |                 |            |               |
|               |                |                  |                |                 |            |               |
|               |                |                  |                |                 |            |               |

←→ 新旧部品兼用可; ≠ 新旧部品兼用不可; ← 新部品は旧部品に兼用可; → 旧部品は新部品に兼用可

# 548000 コモンレール COMMON RAIL



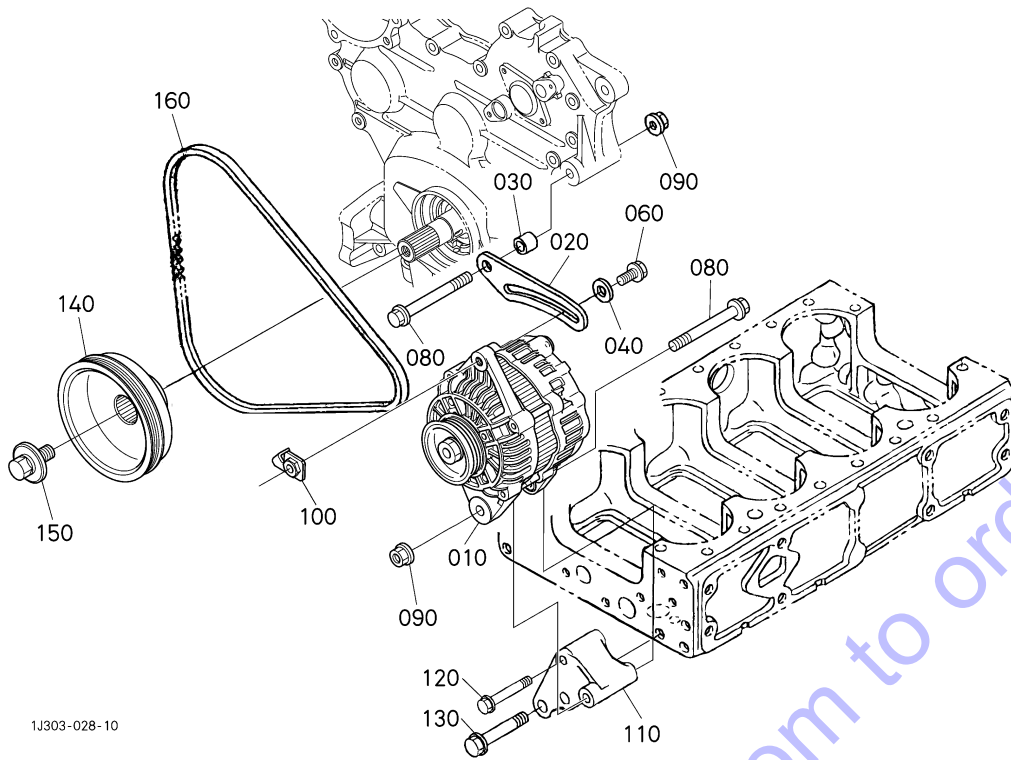
1J303-027-10

A:V3800-TIEF4B-COHE-1

| 図番<br>REF.No. | 品番<br>PART No. | 部品名称            | PART NAME                | 数量              | 互換<br>I.C. | 備考<br>REMARKS |
|---------------|----------------|-----------------|--------------------------|-----------------|------------|---------------|
|               |                |                 |                          | Q'TY/S.No.<br>A |            |               |
| 010           | 1J508-5060-0   | レール,アツシ(コモン)    | RAIL,ASSY                | 1               |            |               |
| 020           | 01754-50830    | フランジボルト         | BOLT,FLANGE              | 2               |            |               |
| 030           | 1J508-5375-0   | パイプ(インジェクション,A) | PIPE(INJECTION,A)        | 1               |            |               |
| 040           | 1J508-4285-0   | パイプ,コンプ(2,OF)   | PIPE,COMP(2,OVERFLOW)    | 1               |            |               |
| 050           | 1J860-9579-0   | ツギテボルト          | BOLT,CONNECT             | 1               |            |               |
| 060           | 1G557-9665-0   | ガスケット           | GASKET                   | 1               |            |               |
| 070           | 1J508-9578-0   | ツギテボルト(M10X1.0) | BOLT,CONNECTING(M10X1.0) | 1               |            |               |
| 080           | 1J510-9665-0   | ガスケット           | GASKET                   | 1               |            |               |
|               |                |                 |                          |                 |            |               |
|               |                |                 |                          |                 |            |               |
|               |                |                 |                          |                 |            |               |
|               |                |                 |                          |                 |            |               |
|               |                |                 |                          |                 |            |               |
|               |                |                 |                          |                 |            |               |
|               |                |                 |                          |                 |            |               |
|               |                |                 |                          |                 |            |               |
|               |                |                 |                          |                 |            |               |
|               |                |                 |                          |                 |            |               |
|               |                |                 |                          |                 |            |               |
|               |                |                 |                          |                 |            |               |
|               |                |                 |                          |                 |            |               |
|               |                |                 |                          |                 |            |               |
|               |                |                 |                          |                 |            |               |
|               |                |                 |                          |                 |            |               |
|               |                |                 |                          |                 |            |               |
|               |                |                 |                          |                 |            |               |
|               |                |                 |                          |                 |            |               |
|               |                |                 |                          |                 |            |               |
|               |                |                 |                          |                 |            |               |
|               |                |                 |                          |                 |            |               |

↔ 新旧部品兼用可; ≠ 新旧部品兼用不可; ← 新部品は旧部品に兼用可; → 旧部品は新部品に兼用可  
 21

# 550000 オルタネータ・プーリ ALTERNATOR AND PULLEY



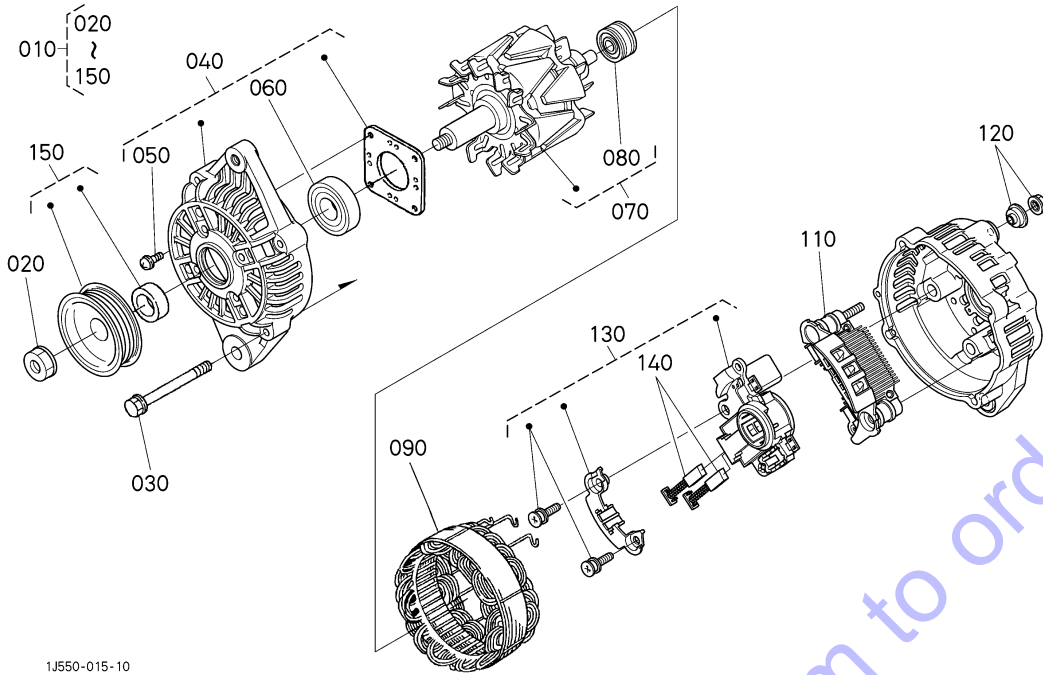
1J303-028-10

A: V3800-TIEF4B-COHE-1

| 図番<br>REF.No. | 品番<br>PART No. | 部品名称                    | PART NAME        | 数量              | 互換<br>I.C. | 備考<br>REMARKS |
|---------------|----------------|-------------------------|------------------|-----------------|------------|---------------|
|               |                |                         |                  | Q'TY/S.No.<br>A |            |               |
| 010           | 1G377-6401-2   | オルタネータ, アツシ (12V80A, P) | ALTERNATOR, ASSY | 1               |            | 12V 80A       |
| 020           | 1K021-6442-0   | ステー (ダ イナモ)             | STAY, DYNAMO     | 1               |            |               |
| 030           | 1K021-6446-0   | カラー (ダ イナモ)             | COLLAR, DYNAMO   | 1               |            |               |
| 040           | 04015-50080    | ヒラザ ガネ                  | WASHER, PLAIN    | 1               |            |               |
| 050           | ----           | ブ ランク                   | BLANK            | -               |            |               |
| 060           | 01754-50825    | フランジ ボルト                | BOLT, FLANGE     | 1               |            |               |
| 070           | ----           | ブ ランク                   | BLANK            | -               |            |               |
| 080           | 01774-51002    | フランジ ボルト                | BOLT, FLANGE     | 2               |            |               |
| 090           | 02771-50100    | フランジ ナット                | NUT, FLANGE      | 2               |            |               |
| 100           | 1G381-6447-0   | トリツケカナケ (オルタネータ)        | STAY, ALTERNATOR | 1               |            |               |
| 110           | 1E637-6435-0   | サポ ート (オルタネータ)          | SUPPORT          | 1               |            |               |
| 120           | 01754-50865    | フランジ ボルト                | BOLT, FLANGE     | 1               |            |               |
| 130           | 01774-51270    | フランジ ボルト                | BOLT, FLANGE     | 2               |            |               |
| 140           | 1K861-7428-0   | ファン ド ライブ プーリ           | PULLEY, FAN DRV  | 1               |            |               |
| 150           | 1G774-9101-0   | ボルト                     | BOLT             | 1               |            |               |
| 160           | 1K861-9701-0   | ファンベルト (Vリフト, 1030)     | BELT, FAN        | 1               |            |               |

↔ 新旧部品兼用可; ≠ 新旧部品兼用不可; ← 新部品は旧部品に兼用可; → 旧部品は新部品に兼用可

# 551000 オルタネータ分解 ALTERNATOR [COMPONENT PARTS]



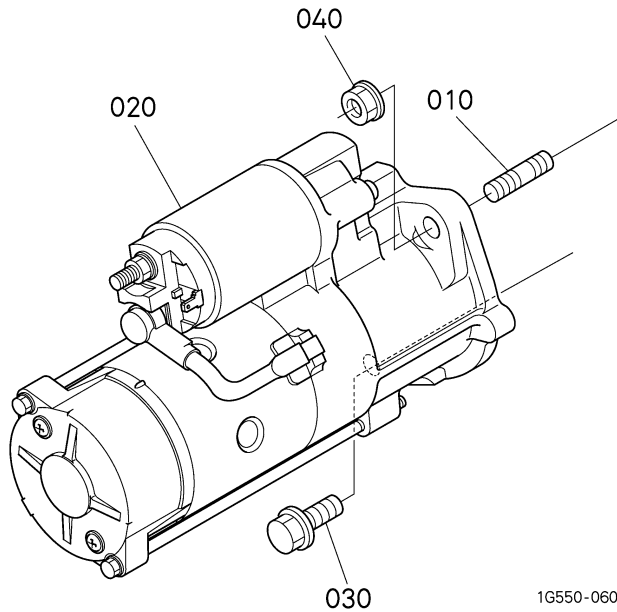
1J550-015-10

A: V3800-TIEF4B-COHE-1

| 図番<br>REF.No. | 品番<br>PART No. | 部品名称                    | PART NAME           | 数量              | 互換<br>I.C. | 備考<br>REMARKS |
|---------------|----------------|-------------------------|---------------------|-----------------|------------|---------------|
|               |                |                         |                     | Q'TY/S.No.<br>A |            |               |
| 010           | 1G377-6401-2   | オルタネータ, アツシ (12V80A, P) | ALTERNATOR, ASSY    | 1               |            | 12V 80A       |
| 020           | 1C010-9201-0   | ナット                     | NUT                 | 1               |            |               |
| 030           | 1C010-9105-0   | ボルト セット                 | SET, BOLT           | 1               |            |               |
| 040           | 1G377-6402-0   | ブラケット, アツシ (フロント)       | ASSY BRACKET, FRONT | 1               |            |               |
| 050           | 1C010-9301-0   | ボルト セット                 | SET, BOLT           | 1               |            |               |
| 060           | 3F261-7812-0   | ベアリング (F)               | BEARING             | 1               |            |               |
| 070           | 3F261-7813-0   | ロータ アツシ                 | ASSY ROTOR          | 1               |            |               |
| 080           | 1C010-6477-0   | ベアリング (R)               | BEARING             | 1               |            |               |
| 090           | 1G377-6408-0   | ステータ, アツシ               | ASSY STATOR         | 1               |            |               |
| 100           | ----           | ブランク                    | BLANK               | -               |            |               |
| 110           | 1G377-6485-0   | レクチファイア, アツシ            | ASSY RECTIFIER      | 1               |            |               |
| 120           | 1K011-9203-0   | ナット セット                 | SET NUT             | 1               |            |               |
| 130           | 1G377-6460-2   | レギュレータ, セット             | SET, REGULATOR      | 1               |            |               |
| 140           | 1C010-6431-0   | ブラシ セット                 | SET BRUSH           | 1               |            |               |
| 150           | 1G377-6411-0   | プーリ, アツシ                | ASSY PULLEY         | 1               |            |               |

↔ 新旧部品兼用可; ≠ 新旧部品兼用不可; ← 新部品は旧部品に兼用可; → 旧部品は新部品に兼用可

# 554000 スタータ STARTER

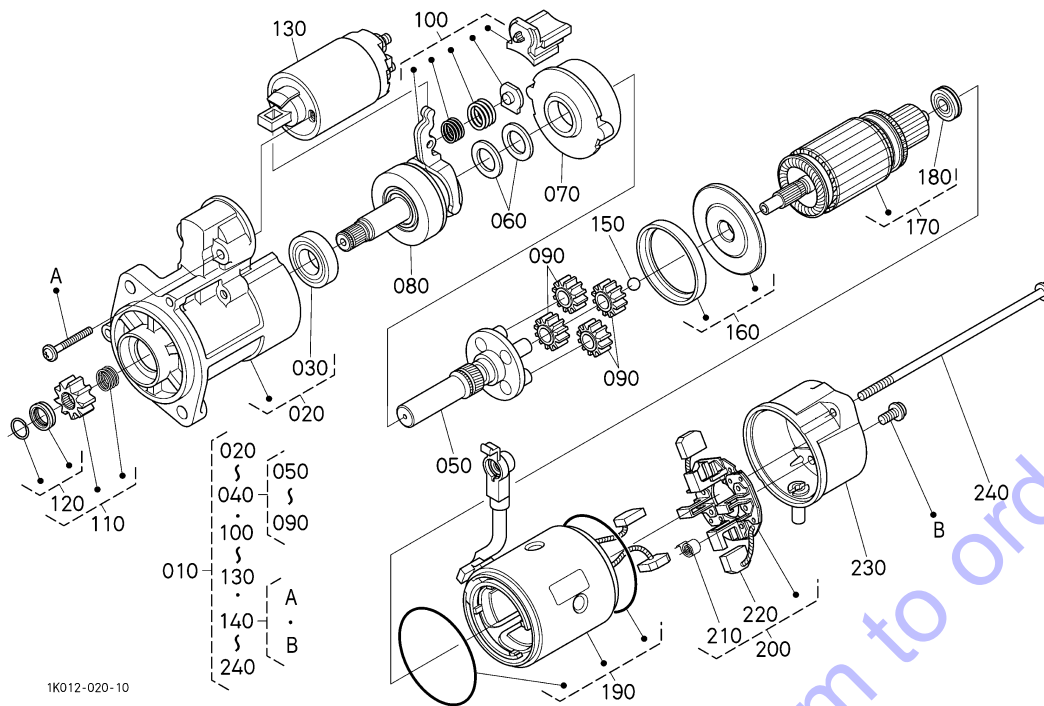


A: V3800-TIEF4B-COHE-1

| 図番<br>REF.No. | 品番<br>PART No. | 部品名称                  | PART NAME    | 数量              | 互換<br>I.C. | 備考<br>REMARKS |
|---------------|----------------|-----------------------|--------------|-----------------|------------|---------------|
|               |                |                       |              | Q'TY/S.No.<br>A |            |               |
| 010           | 01517-51030    | スタッド                  | BOLT,STUD    | 1               |            |               |
| 020           | 1K012-6301-3   | スタータ, アツシ (12V 3.0KW) | ASSY STARTER | 1               |            |               |
| 030           | 01774-51035    | フランジボルト               | BOLT,FLANGE  | 1               |            |               |
| 040           | 02771-50100    | フランジナット               | NUT,FLANGE   | 1               |            |               |
|               |                |                       |              |                 |            |               |
|               |                |                       |              |                 |            |               |
|               |                |                       |              |                 |            |               |
|               |                |                       |              |                 |            |               |
|               |                |                       |              |                 |            |               |
|               |                |                       |              |                 |            |               |
|               |                |                       |              |                 |            |               |
|               |                |                       |              |                 |            |               |
|               |                |                       |              |                 |            |               |
|               |                |                       |              |                 |            |               |
|               |                |                       |              |                 |            |               |
|               |                |                       |              |                 |            |               |
|               |                |                       |              |                 |            |               |
|               |                |                       |              |                 |            |               |
|               |                |                       |              |                 |            |               |
|               |                |                       |              |                 |            |               |

↔ 新旧部品兼用可; ≠ 新旧部品兼用不可; ← 新部品は旧部品に兼用可; → 旧部品は新部品に兼用可

# 555000 スタータ分解 STARTER [COMPONENT PARTS]



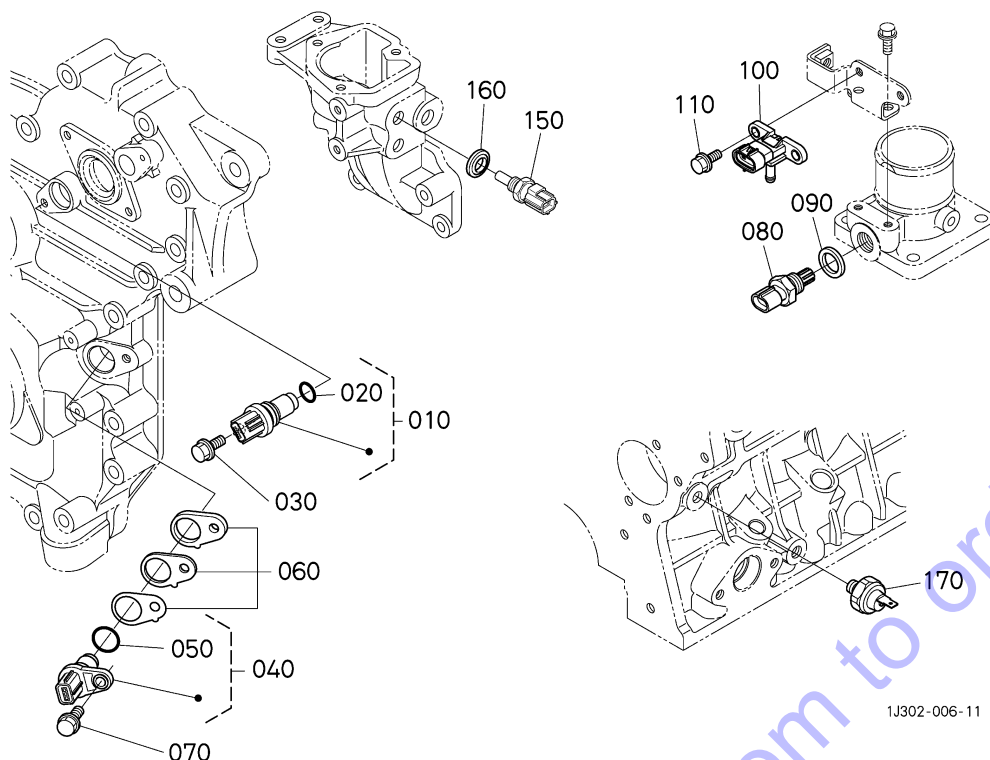
1K012-020-10

A: V3800-TIEF4B-COHE-1

| 図番<br>REF.No. | 品番<br>PART No. | 部品名称                  | PART NAME            | 数量              | 互換<br>I.C. | 備考<br>REMARKS |
|---------------|----------------|-----------------------|----------------------|-----------------|------------|---------------|
|               |                |                       |                      | Q'TY/S.No.<br>A |            |               |
| 010           | 1K012-6301-3   | スタ-タ, アツシ (12V 3.0KW) | ASSY STARTER         | 1               |            | 12V 3.0KW     |
| 020           | 1K012-6303-0   | ブ ラケツト, アツシ (フロント)    | ASSY BRACKET,FRONT   | 1               |            |               |
| 030           | 1C010-6324-0   | ベ アリソグ セツト            | SET BEARING          | 1               |            |               |
| 040           | 1K012-6304-0   | シヤフト アツシ (クラツチセツト)    | ASSY SHAFT,CLUTCH    | 1               |            |               |
| 050           | 1K012-6321-0   | シヤフトアツシ (ギヤ-)         | ASSY SHAFT,GEAR      | 1               |            |               |
| 060           | 1C010-6341-0   | ワツシヤ セツト              | SET WASHER           | 1               |            |               |
| 070           | 1C010-6326-0   | イソタ-ナルギヤ セツト          | SET GEAR             | 1               |            |               |
| 080           | 1C010-6333-0   | オ-バ ラソソソグ クラツチ        | CLUTCH,OVER RUNNING  | 1               |            |               |
| 090           | 1C010-6327-0   | ギヤ- アツシ               | ASSY GEAR            | 4               |            |               |
| 100           | 1K012-6305-0   | レバ - アツシ (セツト)        | ASSY LEVER,SET       | 1               |            |               |
| 110           | 1K012-6328-0   | ピニオン セツト              | SET PINION           | 1               |            |               |
| 120           | 1C010-6317-0   | ストツパ セツト              | SET STOPPER          | 1               |            |               |
| 130           | 1C010-6302-3   | スイツチ アツシ (マグネツク)      | ASSY SWITCH,MAGNETIC | 1               |            |               |
| 140           | 1K012-6376-2   | ナベ コネツシ セツト           | SET SCREW            | 1               |            |               |
| 150           | 6C040-8269-0   | ボ-ル                   | BALL                 | 1               |            |               |
| 160           | 1C010-6352-0   | ハ ツキン セツト             | SET,PACKING          | 1               |            |               |
| 170           | 1K012-6307-2   | アマチュア アツシ             | ASSY ARMATURE        | 1               |            |               |
| 180           | 1C010-6325-2   | ベ アリソグ                | BEARING              | 1               |            |               |
| 190           | 1K012-6308-3   | ヨ-ク アツシ               | ASSY YOKE            | 1               |            |               |
| 200           | 1K012-6338-0   | ブ ラシホルダ-アツシ           | ASSY HOLDER,BRUSH    | 1               |            |               |
| 210           | 1K012-6339-0   | スプリソグ ブラシ             | BRUSH,SPRING         | 4               |            |               |
| 220           | 1K012-6337-0   | ブ ラシ (+)              | BRUSH                | 2               |            |               |
| 230           | 1K012-6320-2   | ブ ラケツト アツシ (リヤ-)      | ASSY BRACKET,REAR    | 1               |            |               |
| 240           | 1K012-6332-0   | ボルト セツト               | SET,BOLT             | 1               |            |               |

↔ 新旧部品兼用可: ≠ 新旧部品兼用不可: ← 新品は旧部品に兼用可: → 旧部品は新品に兼用可

# 557000 スイッチ・センサ SWITCH/SENSOR

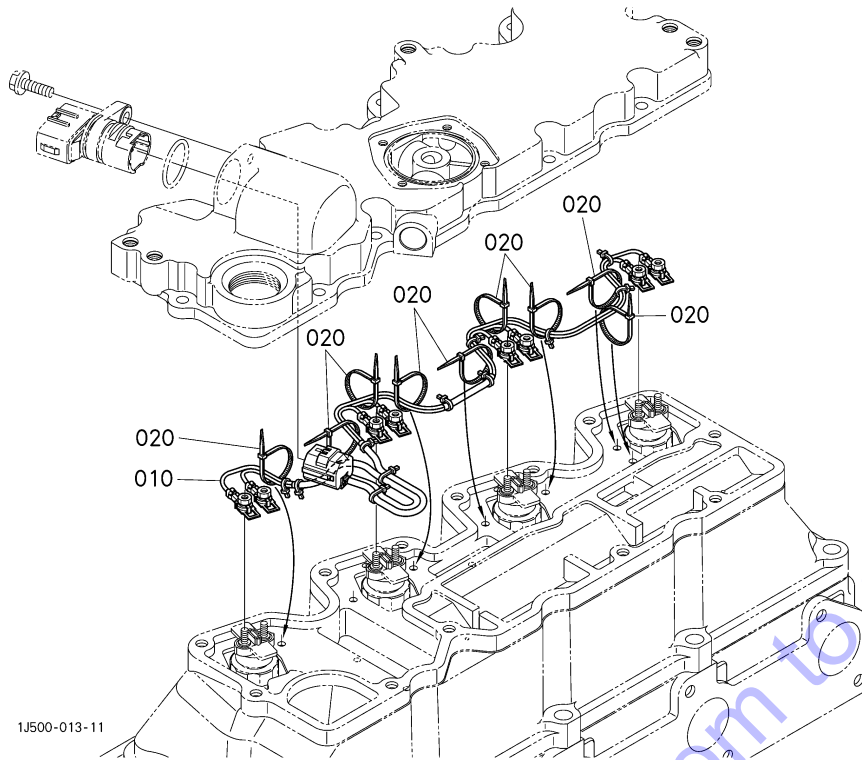


A: V3800-TIEF4B-C0HE-1

| 図番<br>REF.No. | 品番<br>PART No. | 部品名称           | PART NAME          | 数量              | 互換<br>I.C. | 備考<br>REMARKS |
|---------------|----------------|----------------|--------------------|-----------------|------------|---------------|
|               |                |                |                    | Q'TY/S.No.<br>A |            |               |
| 010           | 1J574-5971-0   | センサ(G)         | SENSOR(G)          | 1               |            |               |
| 020           | 1J574-9675-0   | Oリング           | O RING             | 1               |            |               |
| 030           | 01754-50616    | フランジボルト        | BOLT,FLANGE        | 1               |            |               |
| 040           | 1J574-5971-0   | センサ(G)         | SENSOR(G)          | 1               |            |               |
| 050           | 1J574-9675-0   | Oリング           | O RING             | 1               |            |               |
| 060           | 1G381-0442-0   | シム(NEセンサ, 025) | SHIM               | 1               |            | 0.25mm        |
| 060           | 1G381-0443-0   | シム(NEセンサ, 050) | SHIM               | 1               |            | 0.50mm        |
| 060           | 1G381-0444-0   | シム(NEセンサ, 100) | SHIM               | 1               |            | 1.00mm        |
| 070           | 01754-50616    | フランジボルト        | BOLT,FLANGE        | 1               |            |               |
| 080           | 1J574-5968-0   | センサ(キュウキオンド)   | SENSOR(THERMO)     | 1               |            |               |
| 090           | 04724-00160    | ガスケット          | PACKING            | 1               |            |               |
| 100           | 1J500-5967-0   | センサ(ブースト)      | SENSOR,BOOST       | 1               |            |               |
| 110           | 01754-50616    | フランジボルト        | BOLT,FLANGE        | 2               |            |               |
| 120           | ---            | ブランク           | BLANK              | -               |            |               |
| 130           | ---            | ブランク           | BLANK              | -               |            |               |
| 140           | ---            | ブランク           | BLANK              | -               |            |               |
| 150           | 5H601-4194-0   | センサ(スイオン)      | SENSOR,WATER TEMP. | 1               |            |               |
| 160           | 04717-01200    | ゴムツキサガネ        | WASHER,SEAL        | 1               |            |               |
| 170           | 1A024-3901-0   | オイルスイッチ        | SWITCH(OIL)        | 1               |            |               |

↔ 新旧部品兼用可; ≠ 新旧部品兼用不可; ← 新部品は旧部品に兼用可; → 旧部品は新部品に兼用可

# 557500 インジェクタハーネス INJECTOR HARNESS

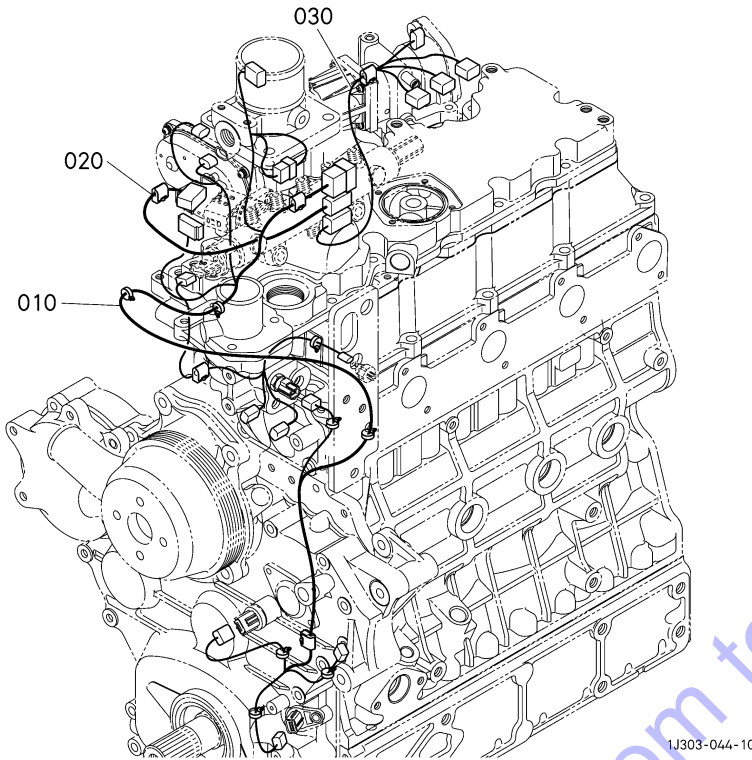


A: V3800-TIEF4B-COHE-1

| 図番<br>REF.No. | 品番<br>PART No. | 部品名称                  | PART NAME            | 数量<br>Q'TY/S.No. | 互換<br>I.C. | 備考<br>REMARKS |
|---------------|----------------|-----------------------|----------------------|------------------|------------|---------------|
|               |                |                       |                      | A                |            |               |
| 010           | 1J500-6505-6   | ワイヤハーネス, アツツ(インジ エクタ) | ASSY HARNESS,INJECT. | 1                |            |               |
| 020           | 1J574-6534-0   | バンド (ハーネス)            | BAND(HARNESS)        | 9                |            |               |
|               |                |                       |                      |                  |            |               |
|               |                |                       |                      |                  |            |               |
|               |                |                       |                      |                  |            |               |
|               |                |                       |                      |                  |            |               |
|               |                |                       |                      |                  |            |               |
|               |                |                       |                      |                  |            |               |
|               |                |                       |                      |                  |            |               |
|               |                |                       |                      |                  |            |               |
|               |                |                       |                      |                  |            |               |
|               |                |                       |                      |                  |            |               |
|               |                |                       |                      |                  |            |               |
|               |                |                       |                      |                  |            |               |
|               |                |                       |                      |                  |            |               |
|               |                |                       |                      |                  |            |               |
|               |                |                       |                      |                  |            |               |



# 558000 ワイヤハーネス WIRE HARNESS

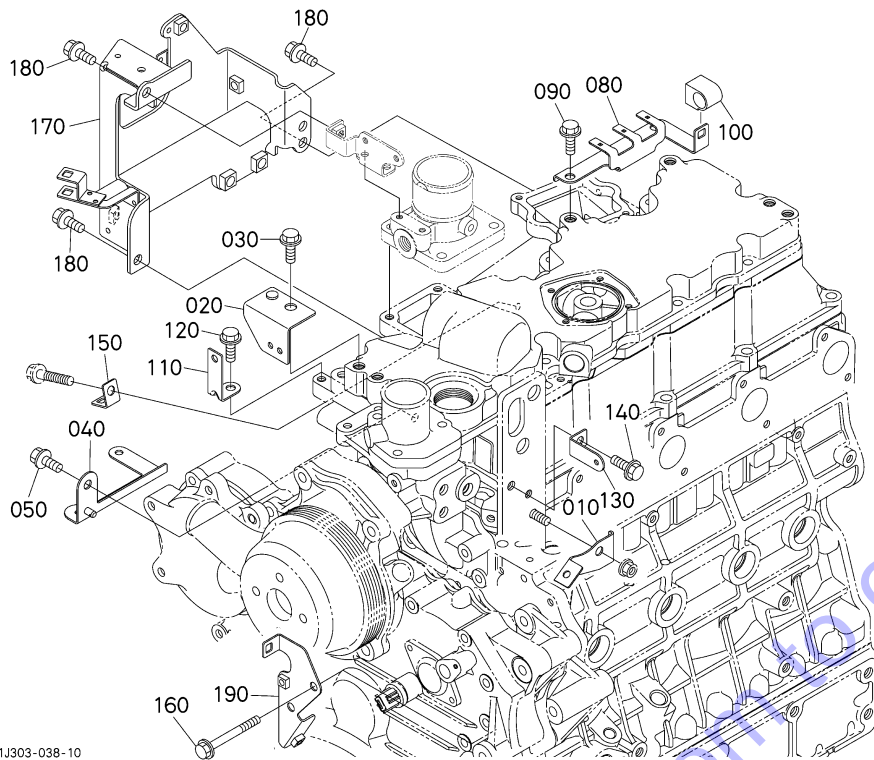


A: V3800-TIEF4B-COHE-1

| 図番<br>REF.No. | 品番<br>PART No. | 部品名称                   | PART NAME              | 数量              | 互換<br>I.C. | 備考<br>REMARKS |
|---------------|----------------|------------------------|------------------------|-----------------|------------|---------------|
|               |                |                        |                        | Q'TY/S.No.<br>A |            |               |
| 010           | 1J508-6506-0   | ワイヤハーネス, アツン (ENG, IN) | HARNESS,WIRE,ASSY      | 1               |            |               |
| 020           | 1J508-6507-0   | ワイヤハーネス, アツン (INJ)     | HARNESS,WIRE,ASSY(INJ) | 1               |            |               |
| 030           | 1J508-6508-0   | ワイヤハーネス, アツン (DPF)     | HARNESS,WIRE,ASSY(DPF) | 1               |            |               |
|               |                |                        |                        |                 |            |               |
|               |                |                        |                        |                 |            |               |
|               |                |                        |                        |                 |            |               |
|               |                |                        |                        |                 |            |               |
|               |                |                        |                        |                 |            |               |
|               |                |                        |                        |                 |            |               |
|               |                |                        |                        |                 |            |               |
|               |                |                        |                        |                 |            |               |
|               |                |                        |                        |                 |            |               |
|               |                |                        |                        |                 |            |               |
|               |                |                        |                        |                 |            |               |
|               |                |                        |                        |                 |            |               |
|               |                |                        |                        |                 |            |               |
|               |                |                        |                        |                 |            |               |
|               |                |                        |                        |                 |            |               |
|               |                |                        |                        |                 |            |               |
|               |                |                        |                        |                 |            |               |
|               |                |                        |                        |                 |            |               |

↔ 新旧部品兼用可; ≠ 新旧部品兼用不可; ← 新部品は旧部品に兼用可; → 旧部品は新部品に兼用可

# 558500 ワイヤハーネスブラケット WIRE HARNESS BRACKET



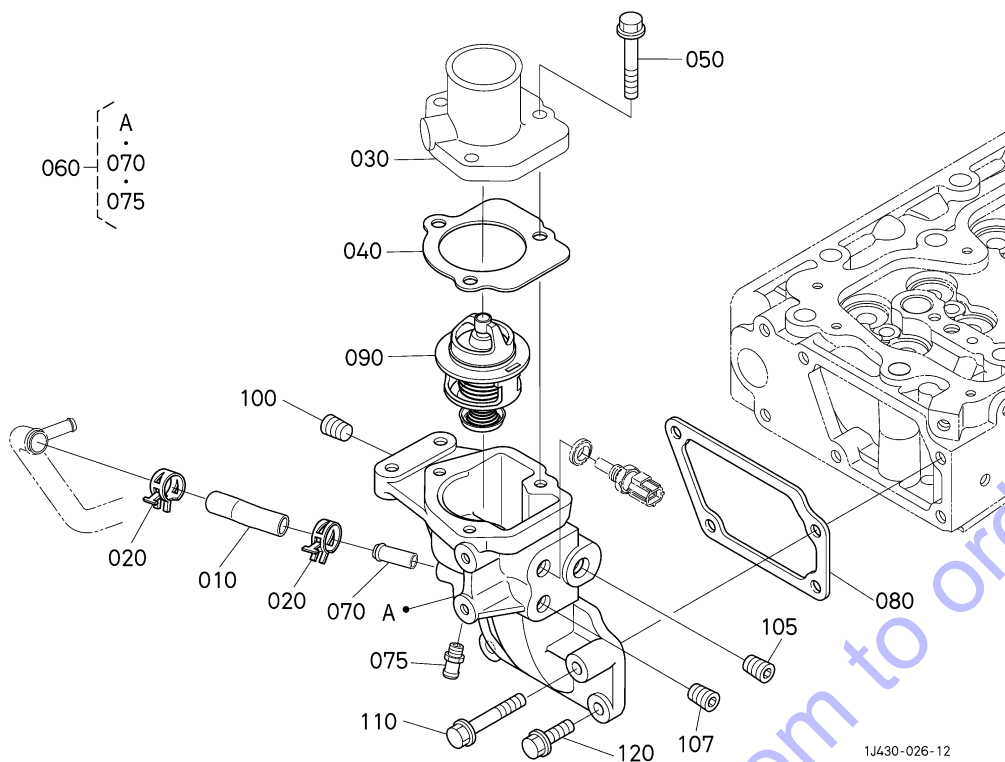
1J303-038-10

A: V3800-TIEF4B-COHE-1

| 図番<br>REF.No. | 品番<br>PART No. | 部品名称                    | PART NAME               | 数量              | 互換<br>I.C. | 備考<br>REMARKS |
|---------------|----------------|-------------------------|-------------------------|-----------------|------------|---------------|
|               |                |                         |                         | Q'TY/S.No.<br>A |            |               |
| 010           | 1J508-6522-0   | ブ ラケ ッ ト (WH, 3)        | BRACKET(WH,3)           | 1               |            |               |
| 020           | 1J508-6523-0   | ブ ラケ ッ ト, コ ン プ (WH, 4) | BRACKET,COMP(WH,4)      | 1               |            |               |
| 030           | 01754-50816    | フ ラ ン ジ ホ ル ト           | BOLT,FLANGE             | 1               |            |               |
| 040           | 1J508-6524-0   | ブ ラケ ッ ト, コ ン プ (WH, 5) | COMP.BRACKET,HARNESS    | 1               |            |               |
| 050           | 01754-50816    | フ ラ ン ジ ホ ル ト           | BOLT,FLANGE             | 1               |            |               |
| 060           | ----           | ブ ラ ン ク                 | BLANK                   | -               |            |               |
| 070           | ----           | ブ ラ ン ク                 | BLANK                   | -               |            |               |
| 080           | 1J508-6517-0   | ブ ラケ ッ ト (WH, 7)        | BRACKET(WH,7)           | 1               |            |               |
| 090           | 01754-50816    | フ ラ ン ジ ホ ル ト           | BOLT,FLANGE             | 2               |            |               |
| 100           | 1J500-6539-0   | ク ラ ン プ (ワ イ ヤ ハ ー ネ ス) | CLAMP                   | 1               |            |               |
| 110           | 1J508-6537-0   | ブ ラケ ッ ト (WH, 8)        | BRACKET(WH,6)           | 1               |            |               |
| 120           | 01754-50816    | フ ラ ン ジ ホ ル ト           | BOLT,FLANGE             | 1               |            |               |
| 130           | 1J508-6538-0   | ブ ラケ ッ ト (WH, 9)        | BRACKET(WH,6)           | 1               |            |               |
| 140           | 01754-50816    | フ ラ ン ジ ホ ル ト           | BOLT,FLANGE             | 1               |            |               |
| 150           | 1J508-6533-0   | ブ ラケ ッ ト (WH, 10)       | BRACKET(WH,10)          | 1               |            |               |
| 160           | 1C010-9107-0   | フ ラ ン ジ ホ ル ト           | BOLT,FLANGE             | 2               |            |               |
| 170           | 1J508-6520-2   | ブ ラケ ッ ト, コ ン プ (WH)    | BRACKET,COMP(CONNECTOR) | 1               |            |               |
| 180           | 01754-50816    | フ ラ ン ジ ホ ル ト           | BOLT,FLANGE             | 3               |            |               |
| 190           | 1J508-6521-0   | ブ ラケ ッ ト, コ ン プ (WH, 2) | BRACKET,COMP(WH,2)      | 1               |            |               |

↔ 新旧部品兼用可; ≠ 新旧部品兼用不可; ← 新部品は旧部品に兼用可; → 旧部品は新部品に兼用可

# 560000 ウォータフランジ・サーモスタット WATER FLANGE AND THERMOSTAT

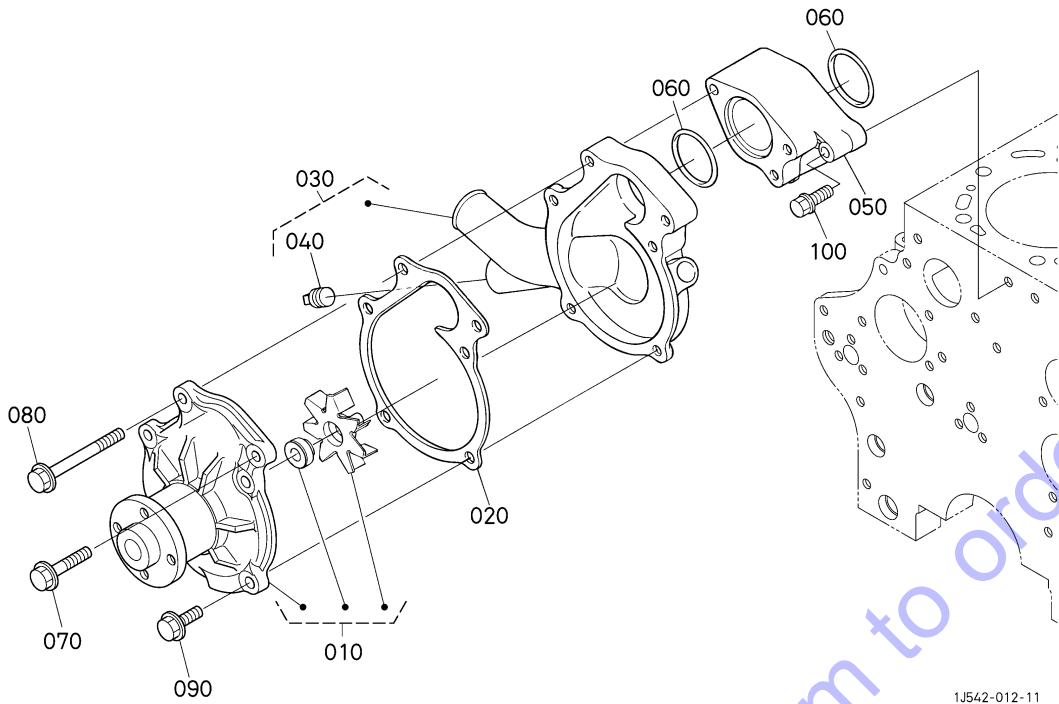


A: V3800-TIEF4B-COHE-1

| 図番<br>REF.No. | 品番<br>PART No. | 部品名称               | PART NAME              | 数量              | 互換<br>I.C. | 備考<br>REMARKS |
|---------------|----------------|--------------------|------------------------|-----------------|------------|---------------|
|               |                |                    |                        | Q'TY/S.No.<br>A |            |               |
| 010           | 1J500-7335-2   | ホース(ウォーター, リターン)   | HOSE, WATER RETURN     | 1               |            |               |
| 020           | 09318-88200    | ホースクランプ(パネシキ)      | CLAMP, HOSE            | 2               |            |               |
| 030           | 1C020-7326-0   | カバー(サーモスタット)       | COVER, THERMOSTAT      | 1               |            |               |
| 040           | 1C020-7327-3   | ガスケット              | GASKET                 | 1               |            |               |
| 050           | 01754-50825    | フランジボルト            | BOLT, FLANGE           | 3               |            |               |
| 060           | 1J552-7270-2   | ウォーターフランジ, コンパ     | COMP. FLANGE, WATER    | 1               |            |               |
| 070           | 16241-0555-0   | ブレザパイプツギテ          | JOINT, BREATHER PIPE   | 1               |            |               |
| 075           | 1C010-3711-4   | クワツギテ(ウォーターパイプ)    | JOINT, WATER PIPE      | 1               |            |               |
| 080           | 1C010-7282-0   | ガスケット(ウォーターフランジ 1) | GASKET (FLANGE, WATER) | 1               |            |               |
| 090           | 1C011-7301-3   | サーモスタット, アツシ       | ASSY THERMOSTAT        | 1               |            |               |
| 100           | 1A021-9602-0   | プラグ                | PLUG                   | 1               |            |               |
| 105           | 1A021-9602-0   | プラグ                | PLUG                   | 1               |            |               |
| 107           | 1A021-9602-0   | プラグ                | PLUG                   | 1               |            |               |
| 110           | 01754-50825    | フランジボルト            | BOLT, FLANGE           | 3               |            |               |
| 120           | 01754-50845    | フランジボルト            | BOLT, FLANGE           | 1               |            |               |

↔ 新旧部品兼用可; ≠ 新旧部品兼用不可; ← 新部品は旧部品に兼用可; → 旧部品は新部品に兼用可

# 561000 ウォータポンプ WATER PUMP

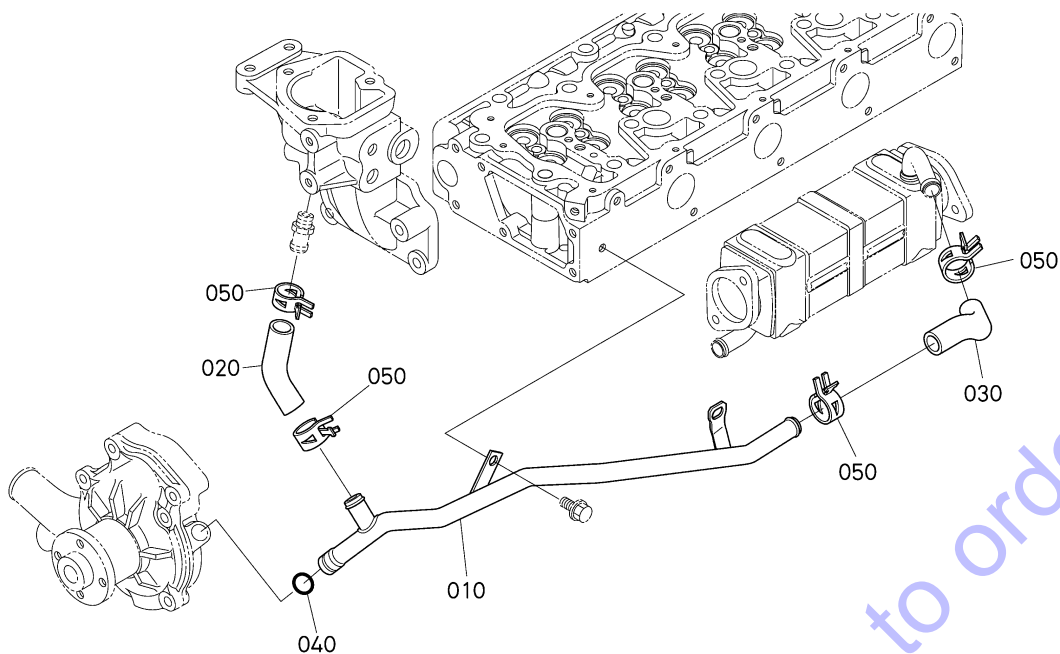


A: V3800-TIEF4B-C0HE-1

| 図番<br>REF.No. | 品番<br>PART No. | 部品名称                 | PART NAME                  | 数量              | 互換<br>I.C. | 備考<br>REMARKS |
|---------------|----------------|----------------------|----------------------------|-----------------|------------|---------------|
|               |                |                      |                            | Q'TY/S.No.<br>A |            |               |
| 010           | 1J542-7303-3   | ウォーターポンプ, アッシー       | PUMP, WATER, ASSY          | 1               |            |               |
| 020           | 1C010-7343-0   | ガスケット(ウォーターポンプ)      | GASKET(PUMP, WATER)        | 1               |            |               |
| 030           | 1J411-7306-0   | サポート, アッシー(ウォーターポンプ) | ASSY SUPPORT W/P           | 1               |            |               |
| 040           | 06312-10030    | プラグ                  | W-PLUG                     | 1               |            |               |
| 050           | 1J552-7382-0   | サポート(ウォーターポンプ, 2)    | SUPPORT, WATER PUMP        | 1               |            |               |
| 060           | 1J550-7376-2   | ガスケット(WPサポート)        | GASKET, WATER PUMP SUPPORT | 2               |            |               |
| 070           | 01754-50880    | フランジボルト              | BOLT, FLANGE               | 2               |            |               |
| 080           | 01754-50804    | フランジボルト              | BOLT, FLANGE               | 1               |            |               |
| 090           | 01754-50830    | フランジボルト              | BOLT, FLANGE               | 3               |            |               |
| 100           | 01754-50840    | フランジボルト              | BOLT, FLANGE               | 3               |            |               |

↔ 新旧部品兼用可; ≠ 新旧部品兼用不可; ← 新部品は旧部品に兼用可; → 旧部品は新部品に兼用可

# 561200 ウォータパイプ WATER PIPE



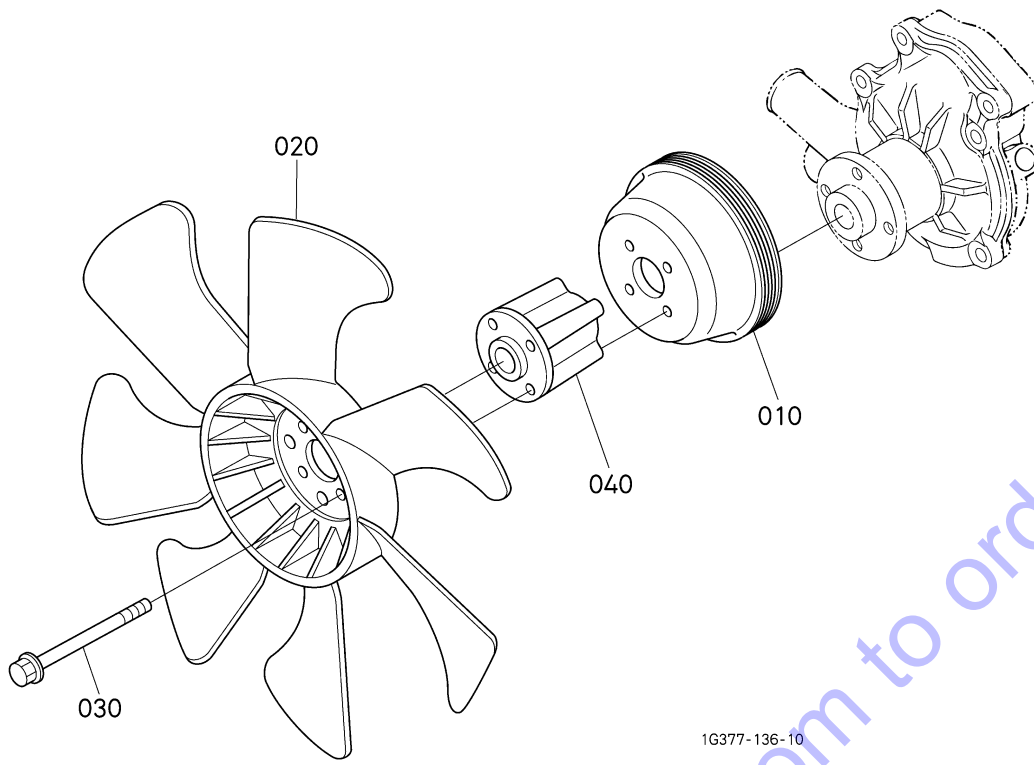
1J303-047-10

A: V3800-TIEF4B-COHE-1

| 図番<br>REF.No. | 品番<br>PART No. | 部品名称                | PART NAME          | 数量              | 互換<br>I.C. | 備考<br>REMARKS |
|---------------|----------------|---------------------|--------------------|-----------------|------------|---------------|
|               |                |                     |                    | Q'TY/S.No.<br>A |            |               |
| 010           | 1K861-7147-0   | パイプ, コンパ (WP2, EGR) | PIPE, COMP(WATER)  | 1               |            |               |
| 020           | 1G377-7335-0   | パイプ (1, ウォータリターン)   | PIPE, WATER RETURN | 1               |            |               |
| 030           | 1J508-7146-0   | ホース (2, EGR)        | HOSE (2, EGR)      | 1               |            |               |
| 040           | 04816-05150    | O リング               | O RING             | 1               |            |               |
| 050           | 09318-88200    | ホースクランプ (ハネキ)       | CLAMP, HOSE        | 4               |            |               |
|               |                |                     |                    |                 |            |               |
|               |                |                     |                    |                 |            |               |
|               |                |                     |                    |                 |            |               |
|               |                |                     |                    |                 |            |               |
|               |                |                     |                    |                 |            |               |
|               |                |                     |                    |                 |            |               |
|               |                |                     |                    |                 |            |               |
|               |                |                     |                    |                 |            |               |
|               |                |                     |                    |                 |            |               |
|               |                |                     |                    |                 |            |               |
|               |                |                     |                    |                 |            |               |
|               |                |                     |                    |                 |            |               |
|               |                |                     |                    |                 |            |               |
|               |                |                     |                    |                 |            |               |
|               |                |                     |                    |                 |            |               |

← 新旧部品兼用可; ≠ 新旧部品兼用不可; ← 新部品は旧部品に兼用可; → 旧部品は新部品に兼用可

# 567000 冷却ファン・プーリ FAN AND PULLEY

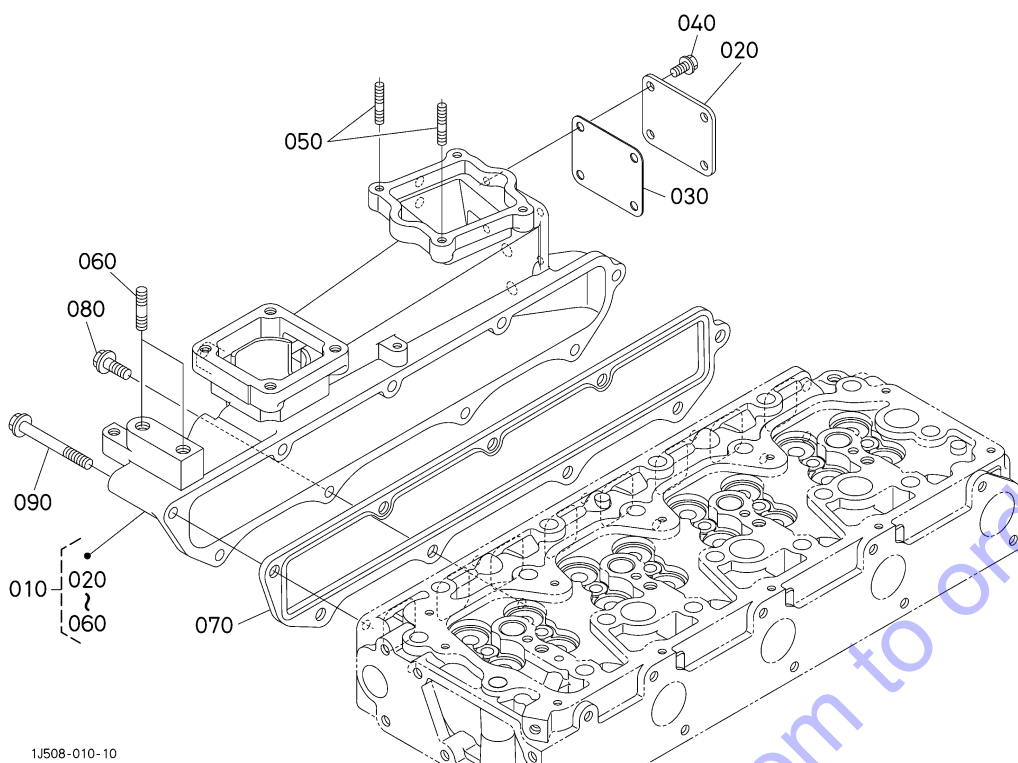


A: V3800-TIEF4B-COHE-1

| 図番<br>REF.No. | 品番<br>PART No. | 部品名称               | PART NAME    | 数量              | 互換<br>I.C. | 備考<br>REMARKS |
|---------------|----------------|--------------------|--------------|-----------------|------------|---------------|
|               |                |                    |              | Q'TY/S.No.<br>A |            |               |
| 010           | 1G377-7425-0   | ファンプーリ             | PULLEY,FAN   | 1               |            |               |
| 020           | 1G377-7411-0   | クーリングファン(550, FP7) | FAN, COOLING | 1               |            |               |
| 030           | 16424-9101-0   | フランジボルト(M8X93)     | HEX.BOLT     | 4               |            |               |
| 040           | 1G381-7415-2   | ファンカラー             | COLLAR,FAN   | 1               |            |               |
|               |                |                    |              |                 |            |               |
|               |                |                    |              |                 |            |               |
|               |                |                    |              |                 |            |               |
|               |                |                    |              |                 |            |               |
|               |                |                    |              |                 |            |               |
|               |                |                    |              |                 |            |               |
|               |                |                    |              |                 |            |               |
|               |                |                    |              |                 |            |               |
|               |                |                    |              |                 |            |               |
|               |                |                    |              |                 |            |               |
|               |                |                    |              |                 |            |               |
|               |                |                    |              |                 |            |               |
|               |                |                    |              |                 |            |               |
|               |                |                    |              |                 |            |               |

↔ 新旧部品兼用可; ≠ 新旧部品兼用不可; ← 新部品は旧部品に兼用可; → 旧部品は新部品に兼用可

# 571000 吸気マニホールド INLET MANIFOLD



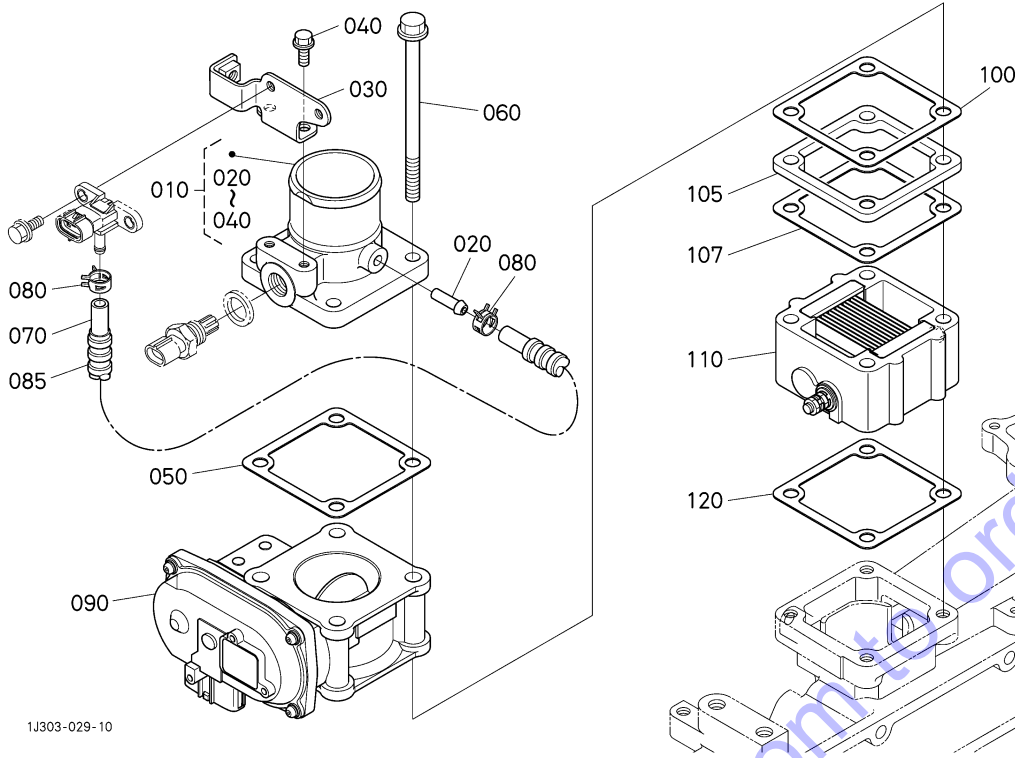
1J508-010-10

A: V3800-TIEF4B-COHE-1

| 図番<br>REF.No. | 品番<br>PART No. | 部品名称                | PART NAME              | 数量<br>Q'TY/S.No. | 互換<br>I.C. | 備考<br>REMARKS |
|---------------|----------------|---------------------|------------------------|------------------|------------|---------------|
|               |                |                     |                        | A                |            |               |
| 010           | 1J509-1177-4   | マニホールド, アツシ (インレット) | MANIFOLD, ASSY (INLET) | 1                |            |               |
| 020           | 1J500-1198-0   | カバー (インレット, 2)      | COVER, INLET           | 1                |            |               |
| 030           | 1J500-1184-0   | ガスケット (インレット, 2)    | GASKET, INLET          | 1                |            |               |
| 040           | 01754-50612    | フランジ ボルト            | BOLT, FLANGE           | 4                |            |               |
| 050           | 01518-50622    | スタッド                | BOLT, STUD             | 2                |            |               |
| 060           | 01517-51030    | スタッド                | BOLT, STUD             | 2                |            |               |
| 070           | 1C020-1182-0   | ガスケット (インレットマニホールド) | GASKET (IN-MANIFOLD)   | 1                |            |               |
| 080           | 01754-50820    | フランジ ボルト            | BOLT, FLANGE           | 5                |            |               |
| 090           | 01754-50865    | フランジ ボルト            | BOLT, FLANGE           | 4                |            |               |
|               |                |                     |                        |                  |            |               |
|               |                |                     |                        |                  |            |               |
|               |                |                     |                        |                  |            |               |
|               |                |                     |                        |                  |            |               |
|               |                |                     |                        |                  |            |               |
|               |                |                     |                        |                  |            |               |
|               |                |                     |                        |                  |            |               |
|               |                |                     |                        |                  |            |               |
|               |                |                     |                        |                  |            |               |
|               |                |                     |                        |                  |            |               |
|               |                |                     |                        |                  |            |               |
|               |                |                     |                        |                  |            |               |
|               |                |                     |                        |                  |            |               |
|               |                |                     |                        |                  |            |               |
|               |                |                     |                        |                  |            |               |

↔ 新旧部品兼用可; ≠ 新旧部品兼用不可; ← 新部品は旧部品に兼用可; → 旧部品は新部品に兼用可

# 571100 エアクリーナフランジ・スロットルバルブ AIR CLEANER FLANGE AND THROTTLE VALVE



1J303-029-10

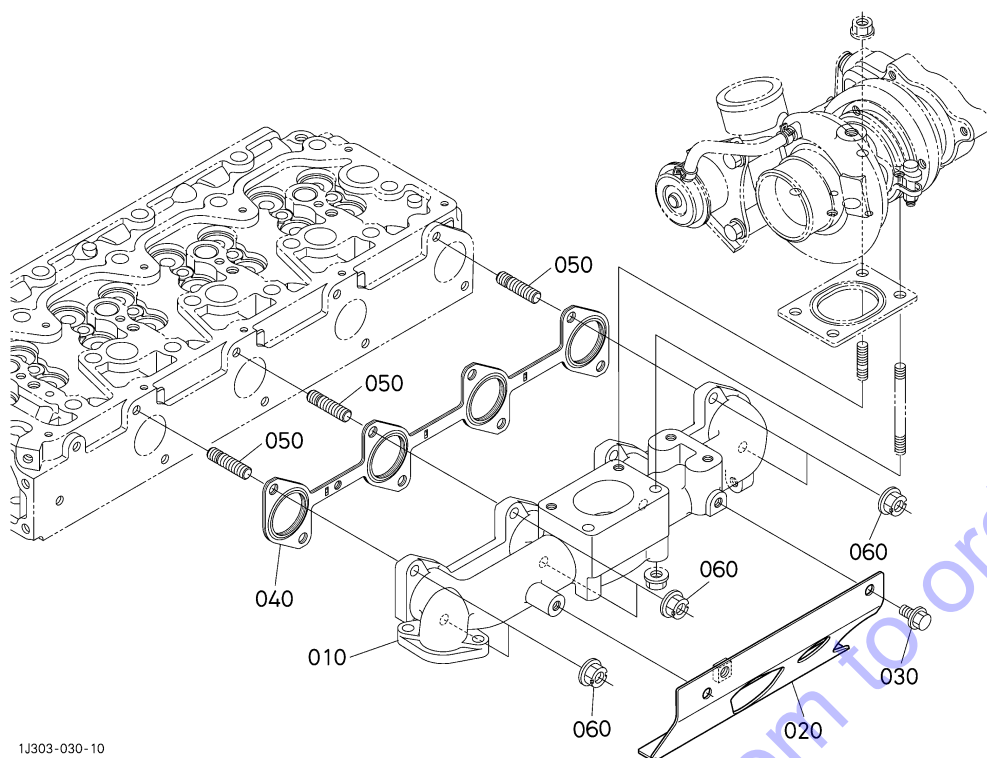
A: V3800-TIEF4B-COHE-1

| 図番<br>REF.No. | 品番<br>PART No. | 部品名称                 | PART NAME                 | 数量              | 互換<br>I.C. | 備考<br>REMARKS |
|---------------|----------------|----------------------|---------------------------|-----------------|------------|---------------|
|               |                |                      |                           | Q'TY/S.No.<br>A |            |               |
| 010           | 1J302-1181-0   | フランジ, コンパ (エアクリーナ)   | FLANGE,COMP (AIR CLEANER) | 1               |            |               |
| 020           | 1J574-5428-0   | パイプ (ブースト)           | PIPE,BOOST                | 1               |            |               |
| 030           | 1J302-5972-0   | ブラケット (ブーストセンサ)      | BRACKET(BOOST)            | 1               |            |               |
| 040           | 01754-50612    | フランジボルト              | BOLT,FLANGE               | 2               |            |               |
| 050           | 1J500-1165-0   | ガスケット (エアクリーナフランジ)   | GASKET,A/C FLANGE         | 1               |            |               |
| 060           | 1A021-9104-0   | フランジボルト (M8X128)     | BOLT                      | 4               |            |               |
| 070           | 09661-50150    | フューエルチューブ            | TUBE,FUEL                 | 1               |            |               |
| 080           | 09318-88085    | ホースクランプ (ハネツキ)       | CLAMP,HOSE                | 2               |            |               |
| 085           | 1J540-4212-0   | チューブ                 | TUBE                      | 1               |            |               |
| 090           | 1J500-1060-0   | スロットルバルブ, アツシ (キユウキ) | VALVE,THROTTLE,ASSY       | 1               |            |               |
| 100           | 1J500-1165-0   | ガスケット (エアクリーナフランジ)   | GASKET,A/C FLANGE         | 1               |            |               |
| 105           | 1J302-1158-0   | スペーサ (エアクリーナフランジ)    | SPACER                    | 1               |            |               |
| 107           | 1J500-1165-0   | ガスケット (エアクリーナフランジ)   | GASKET,A/C FLANGE         | 1               |            |               |
| 110           | 1J500-6545-2   | ヒータ (インテークエア)        | HEATER,INTAKE AIR         | 1               |            |               |
| 120           | 1J500-1165-0   | ガスケット (エアクリーナフランジ)   | GASKET,A/C FLANGE         | 1               |            |               |
|               |                |                      |                           |                 |            |               |
|               |                |                      |                           |                 |            |               |
|               |                |                      |                           |                 |            |               |
|               |                |                      |                           |                 |            |               |
|               |                |                      |                           |                 |            |               |
|               |                |                      |                           |                 |            |               |
|               |                |                      |                           |                 |            |               |
|               |                |                      |                           |                 |            |               |
|               |                |                      |                           |                 |            |               |
|               |                |                      |                           |                 |            |               |
|               |                |                      |                           |                 |            |               |
|               |                |                      |                           |                 |            |               |
|               |                |                      |                           |                 |            |               |
|               |                |                      |                           |                 |            |               |
|               |                |                      |                           |                 |            |               |
|               |                |                      |                           |                 |            |               |
|               |                |                      |                           |                 |            |               |
|               |                |                      |                           |                 |            |               |
|               |                |                      |                           |                 |            |               |
|               |                |                      |                           |                 |            |               |
|               |                |                      |                           |                 |            |               |
|               |                |                      |                           |                 |            |               |
|               |                |                      |                           |                 |            |               |

← 新旧部品兼用可; ≠ 新旧部品兼用不可; ← 新品は旧部品に兼用可; → 旧部品は新品に兼用可



# 572000 排气マニホールド EXHAUST MANIFOLD



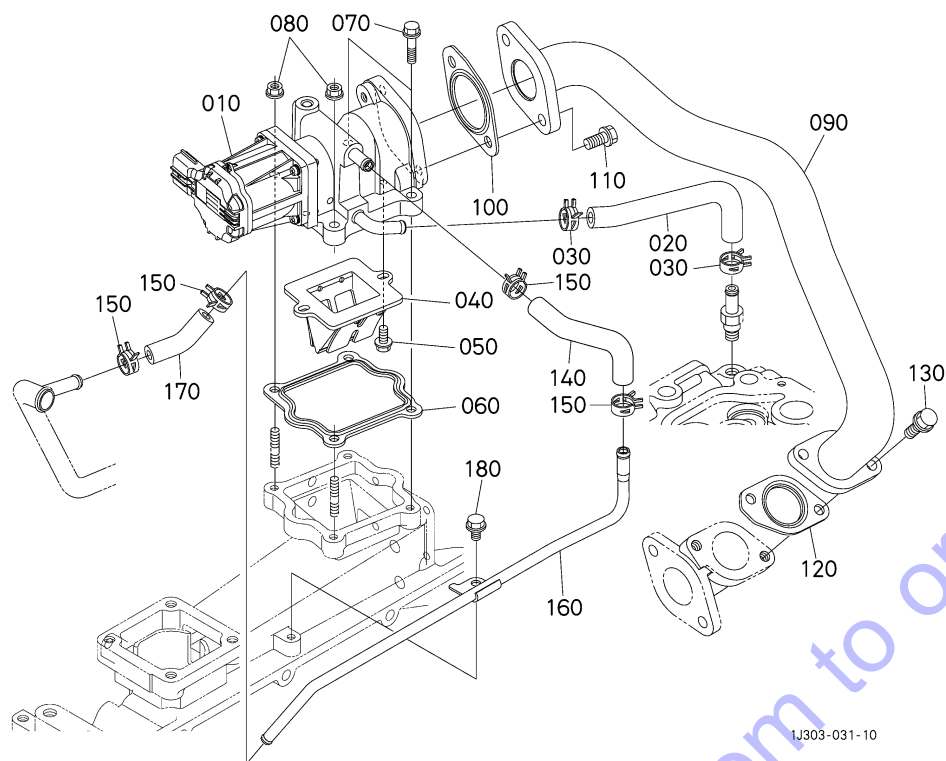
1J303-030-10

A: V3800-TIEF4B-C0HE-1

| 図番<br>REF.No. | 品番<br>PART No. | 部品名称               | PART NAME          | 数量              | 互換<br>I.C. | 備考<br>REMARKS |
|---------------|----------------|--------------------|--------------------|-----------------|------------|---------------|
|               |                |                    |                    | Q'TY/S.No.<br>A |            |               |
| 010           | 1J540-1231-5   | マニホールド (エキゾースト)    | MANIFOLD(EXHAUST)  | 1               |            |               |
| 020           | 1E342-1734-3   | カバー (マニホールド, ハイキ)  | COVER(EX.MANIFOLD) | 1               |            |               |
| 030           | 1J301-9101-0   | フランジボルト (SUH)      | BOLT,FLANGE(SUH)   | 2               |            |               |
| 040           | 1J550-1235-0   | ガスケット (EX. マニホールド) | GASKET,EX-MANIFOLD | 1               |            |               |
| 050           | 1J542-9163-2   | スタッド (M8X23)       | STUD               | 8               |            |               |
| 060           | 1J542-9250-0   | フランジナット (M8, HLA)  | NUT,FLANGE         | 8               |            |               |
|               |                |                    |                    |                 |            |               |
|               |                |                    |                    |                 |            |               |
|               |                |                    |                    |                 |            |               |
|               |                |                    |                    |                 |            |               |
|               |                |                    |                    |                 |            |               |
|               |                |                    |                    |                 |            |               |
|               |                |                    |                    |                 |            |               |
|               |                |                    |                    |                 |            |               |
|               |                |                    |                    |                 |            |               |
|               |                |                    |                    |                 |            |               |
|               |                |                    |                    |                 |            |               |
|               |                |                    |                    |                 |            |               |
|               |                |                    |                    |                 |            |               |
|               |                |                    |                    |                 |            |               |
|               |                |                    |                    |                 |            |               |
|               |                |                    |                    |                 |            |               |
|               |                |                    |                    |                 |            |               |
|               |                |                    |                    |                 |            |               |
|               |                |                    |                    |                 |            |               |
|               |                |                    |                    |                 |            |               |
|               |                |                    |                    |                 |            |               |
|               |                |                    |                    |                 |            |               |
|               |                |                    |                    |                 |            |               |
|               |                |                    |                    |                 |            |               |
|               |                |                    |                    |                 |            |               |
|               |                |                    |                    |                 |            |               |
|               |                |                    |                    |                 |            |               |
|               |                |                    |                    |                 |            |               |
|               |                |                    |                    |                 |            |               |
|               |                |                    |                    |                 |            |               |

↔ 新旧部品兼用可; ≠ 新旧部品兼用不可; ← 新部品は旧部品に兼用可; → 旧部品は新部品に兼用可

# 572300 EGRバルブ EGR VALVE

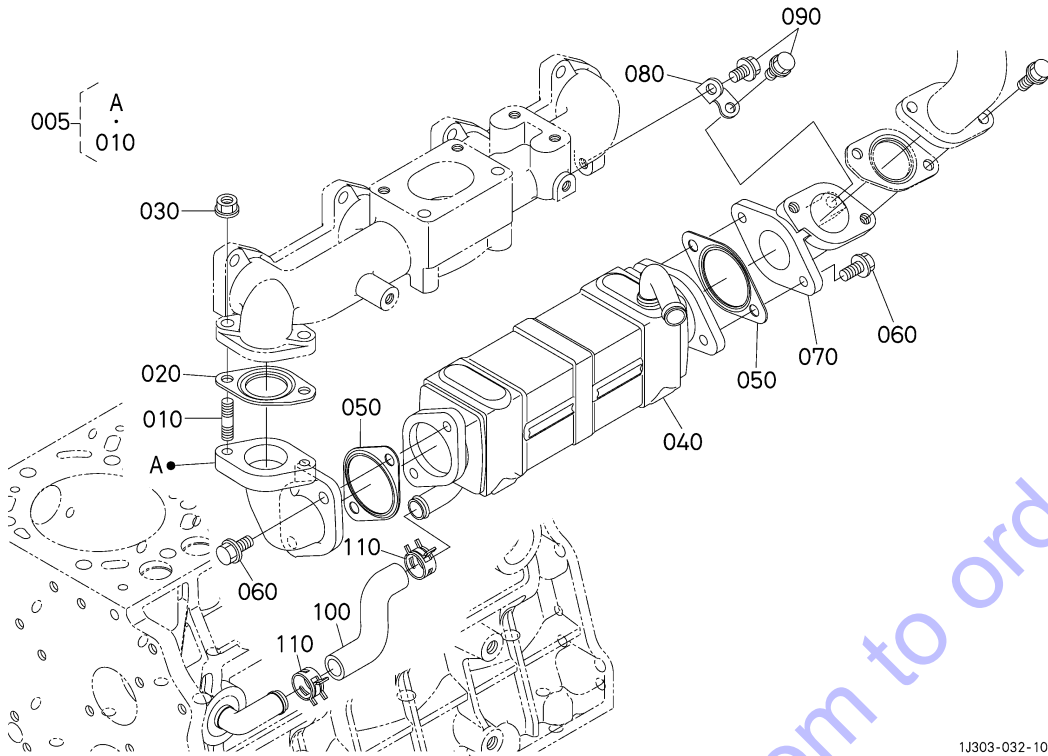


A:V3800-TIEF4B-COHE-1

| 図番<br>REF.No. | 品番<br>PART No. | 部品名称                | PART NAME          | 数量              | 互換<br>I.C. | 備考<br>REMARKS |
|---------------|----------------|---------------------|--------------------|-----------------|------------|---------------|
|               |                |                     |                    | Q'TY/S.No.<br>A |            |               |
| 010           | 1J508-6270-0   | バルブ, アツシ (EGR)      | VALVE, ASSY (EGR)  | 1               |            |               |
| 020           | 1J500-7181-0   | ホース (1, EGR-V)      | HOSE               | 1               |            |               |
| 030           | 09318-88130    | ホースクランプ (ハネシキ)      | CLAMP, HOSE        | 2               |            |               |
| 040           | 1J574-1371-0   | バルブ (リード)           | VALVE, LEAD        | 1               |            |               |
| 050           | 01754-50612    | フランジボルト             | BOLT, FLANGE       | 2               |            |               |
| 060           | 1J803-1741-0   | ガスケット (EGRバルブ)      | GASKET, EGR VALVE  | 1               |            |               |
| 070           | 01754-50625    | フランジボルト             | BOLT, FLANGE       | 2               |            |               |
| 080           | 02751-50060    | フランジナット             | NUT, FLANGE        | 2               |            |               |
| 090           | 1J500-1732-0   | パイプ, コンパ (EGR)      | COMP. PIPE, EGR    | 1               |            |               |
| 100           | 1J803-1743-0   | ガスケット (EGRクーラ)      | GASKET, EGR COOLER | 1               |            |               |
| 110           | 01754-50820    | フランジボルト             | BOLT, FLANGE       | 2               |            |               |
| 120           | 1J500-1749-0   | ガスケット (EGRパイプ)      | GASKET (EGR PIPE)  | 1               |            |               |
| 130           | 01754-50820    | フランジボルト             | BOLT, FLANGE       | 2               |            |               |
| 140           | 1J500-7182-0   | チューブ (EGR-V, 2)     | TUBE               | 1               |            |               |
| 150           | 09318-88130    | ホースクランプ (ハネシキ)      | CLAMP, HOSE        | 4               |            |               |
| 160           | 1J500-7183-0   | パイプ, コンパ (EGR-V, 1) | PIPE, COMP         | 1               |            |               |
| 170           | 1J500-7184-0   | チューブ (EGR-V, 3)     | TUBE               | 1               |            |               |
| 180           | 01755-50612    | フランジボルト             | BOLT, FLANGE       | 1               |            |               |

↔ 新旧部品兼用可; ≠ 新旧部品兼用不可; ← 新部品は旧部品に兼用可; → 旧部品は新部品に兼用可

# 572400 EGRクーラ EGR COOLER

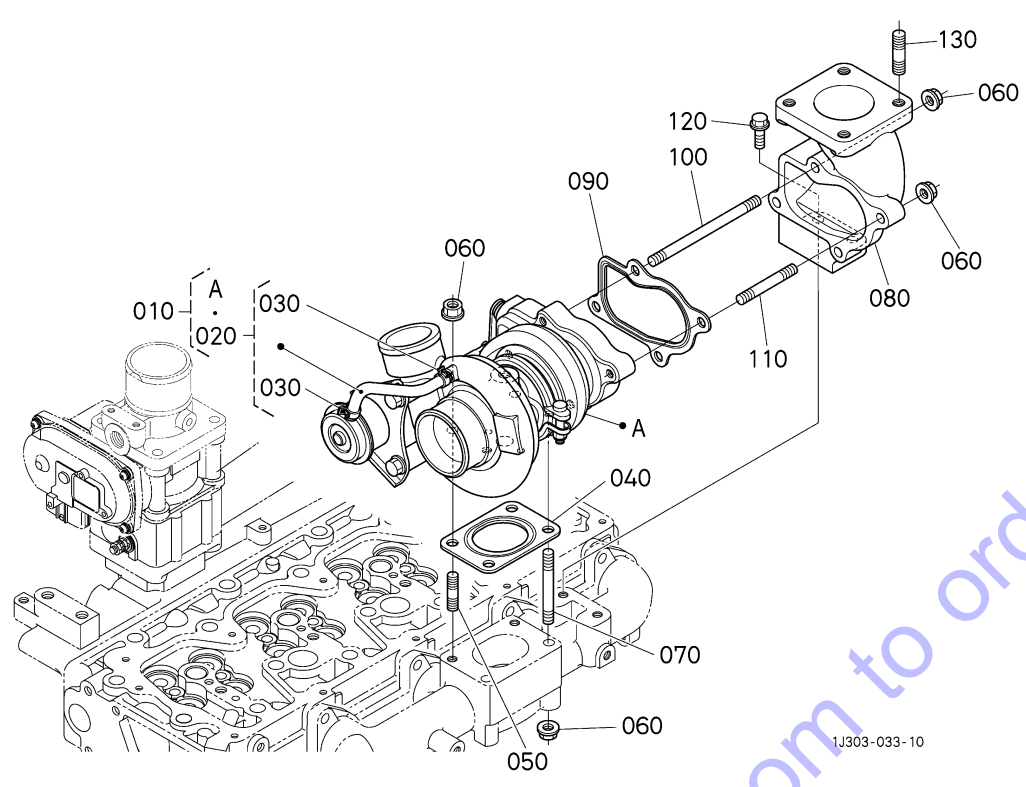


1J303-032-10

A: V3800-TIEF4B-COHE-1

| 図番<br>REF.No. | 品番<br>PART No. | 部品名称                | PART NAME                 | 数量              | 互換<br>I.C. | 備考<br>REMARKS |
|---------------|----------------|---------------------|---------------------------|-----------------|------------|---------------|
|               |                |                     |                           | Q'TY/S.No.<br>A |            |               |
| 005           | 1J583-1724-0   | フランジ, アッシー (EGRクーラ) | FLANGE, ASSY (EGR COOLER) | 1               |            |               |
| 010           | 1J500-9155-0   | スタッド (M8X23)        | STUD                      | 2               |            |               |
| 020           | 1J500-1749-0   | ガスケット (EGRパイプ)      | GASKET (EGR PIPE)         | 1               |            |               |
| 030           | 1J542-9250-0   | フランジナット (M8, HLA)   | NUT, FLANGE               | 2               |            |               |
| 040           | 1J508-7141-0   | クーラ, コンパ (EGR)      | COOLER, COMP (EGR)        | 1               |            |               |
| 050           | 1J803-1743-0   | ガスケット (EGRクーラ)      | GASKET, EGR COOLER        | 2               |            |               |
| 060           | 1J500-9102-0   | フランジボルト (8X18)      | BOLT, FLANGE              | 4               |            |               |
| 070           | 1J583-1727-0   | フランジ (EGRパイプ)       | FLANGE (EGR PIPE)         | 1               |            |               |
| 080           | 1J508-7143-0   | ステー (EGRクーラ)        | STAY (EGR COOLER)         | 1               |            |               |
| 090           | 1J301-9101-0   | フランジボルト (SUH)       | BOLT, FLANGE (SUH)        | 2               |            |               |
| 100           | 1J508-7145-0   | ホース (1, EGR)        | HOSE (1, EGR)             | 1               |            |               |
| 110           | 09318-88200    | ホースクランプ (ハネキ)       | CLAMP, HOSE               | 2               |            |               |
|               |                |                     |                           |                 |            |               |
|               |                |                     |                           |                 |            |               |
|               |                |                     |                           |                 |            |               |
|               |                |                     |                           |                 |            |               |
|               |                |                     |                           |                 |            |               |
|               |                |                     |                           |                 |            |               |
|               |                |                     |                           |                 |            |               |
|               |                |                     |                           |                 |            |               |
|               |                |                     |                           |                 |            |               |

# 572600 ターボチャージャ TURBO CHARGER

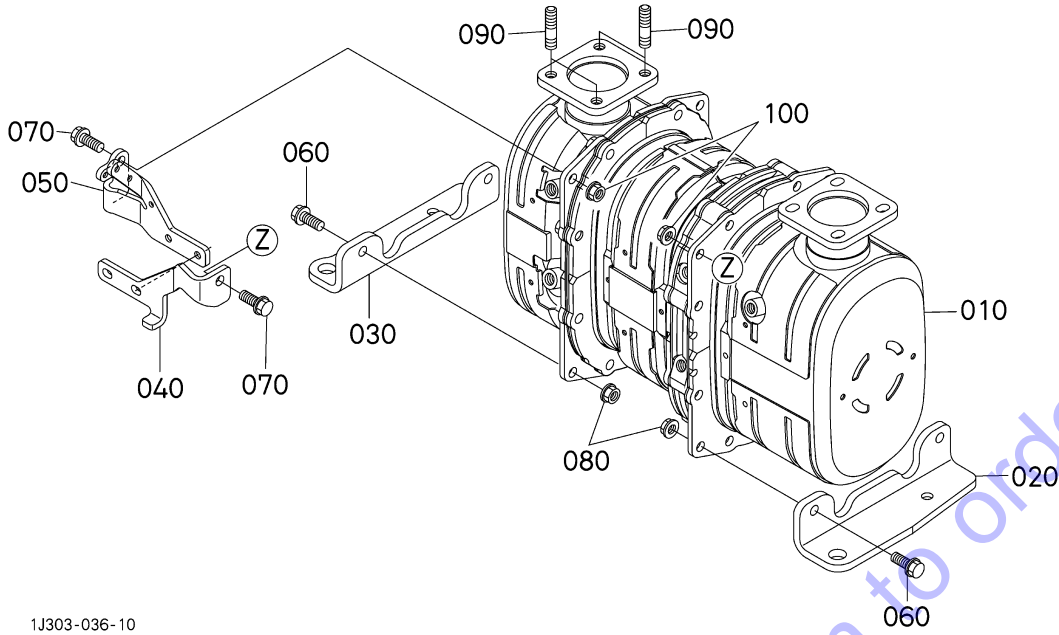


A: V3800-TIEF4B-COHE-1

| 図番<br>REF.No. | 品番<br>PART No. | 部品名称              | PART NAME          | 数量              | 互換<br>I.C. | 備考<br>REMARKS |
|---------------|----------------|-------------------|--------------------|-----------------|------------|---------------|
|               |                |                   |                    | Q'TY/S.No.<br>A |            |               |
| 010           | 1J583-1701-4   | ターボチャージャ, アツシ     | TURBOCHARGER, ASSY | 1               |            |               |
| 020           | 1C041-1720-0   | ホース, アツシ          | ASSY HOSE          | 1               |            |               |
| 030           | 17371-1722-0   | ホースクランプ           | CLAMP, HOSE        | 2               |            |               |
| 040           | 1J550-1710-0   | ガスケット (1)         | GASKET             | 1               |            |               |
| 050           | 1J530-9150-0   | スタット              | BOLT, STUD         | 2               |            |               |
| 060           | 1J542-9250-0   | フランジナット (M8, HLA) | NUT, FLANGE        | 8               |            |               |
| 070           | 1J530-9153-0   | スタット              | BOLT, STUD         | 2               |            |               |
| 080           | 1J540-1232-0   | フランジ (マフラ)        | FLANGE (MUFFLER)   | 1               |            |               |
| 090           | 1G544-1711-0   | ガスケット (2)         | GASKET             | 1               |            |               |
| 100           | 1J530-9152-0   | スタット              | BOLT, STUD         | 1               |            |               |
| 110           | 1J530-9151-0   | スタット              | BOLT, STUD         | 3               |            |               |
| 120           | 1J436-9101-2   | フランジボルト           | BOLT, FLANGE       | 2               |            |               |
| 130           | 01517-51025    | スタット              | BOLT, STUD         | 4               |            |               |

↔ 新旧部品兼用可; ≠ 新旧部品兼用不可; ← 新部品は旧部品に兼用可; → 旧部品は新部品に兼用可

# 574000 ディーゼルパーティキュレートフィルタマフラ DIESEL PARTICULATE FILTER MUFFLER



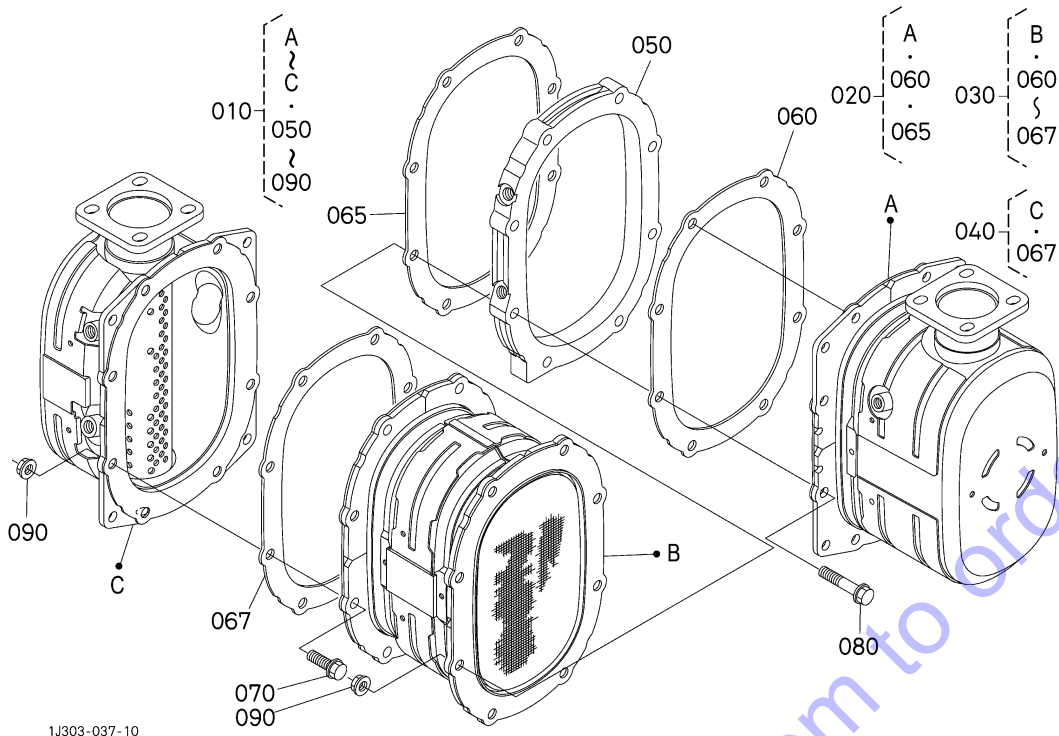
1J303-036-10

A: V3800-TIEF4B-COHE-1

| 図番<br>REF.No. | 品番<br>PART No. | 部品名称           | PART NAME          | 数量              | 互換<br>I.C. | 備考<br>REMARKS |
|---------------|----------------|----------------|--------------------|-----------------|------------|---------------|
|               |                |                |                    | Q'TY/S.No.<br>A |            |               |
| 010           | ----           | マフラ, アツシ (DPF) | MUFFLER, ASSY(DPF) | 1               |            |               |
| 020           | 1J500-1870-0   | ブラケット (DPF, 1) | BRACKET(DPF,1)     | 1               |            |               |
| 030           | 1J500-1871-0   | ブラケット (DPF, 2) | BRACKET(DPF,2)     | 1               |            |               |
| 040           | 1J500-1872-0   | ステー (DPF, 1)   | STAY(DPF, 1)       | 1               |            |               |
| 050           | 1J500-1873-0   | ステー (DPF, 2)   | STAY(DPF,2)        | 1               |            |               |
| 060           | 01774-51025    | フランジ ボルト       | BOLT, FLANGE       | 4               |            |               |
| 070           | 01774-51025    | フランジ ボルト       | BOLT, FLANGE       | 2               |            |               |
| 080           | 02771-50100    | フランジ ナット       | NUT, FLANGE        | 4               |            |               |
| 090           | 1J520-9154-0   | スタッド           | STUD               | 4               |            |               |
| 100           | 02771-50100    | フランジ ナット       | NUT, FLANGE        | 2               |            |               |
|               |                |                |                    |                 |            |               |
|               |                |                |                    |                 |            |               |
|               |                |                |                    |                 |            |               |
|               |                |                |                    |                 |            |               |
|               |                |                |                    |                 |            |               |
|               |                |                |                    |                 |            |               |
|               |                |                |                    |                 |            |               |
|               |                |                |                    |                 |            |               |
|               |                |                |                    |                 |            |               |
|               |                |                |                    |                 |            |               |
|               |                |                |                    |                 |            |               |
|               |                |                |                    |                 |            |               |

↔ 新旧部品兼用可; ≠ 新旧部品兼用不可; ← 新部品は旧部品に兼用可; → 旧部品は新部品に兼用可

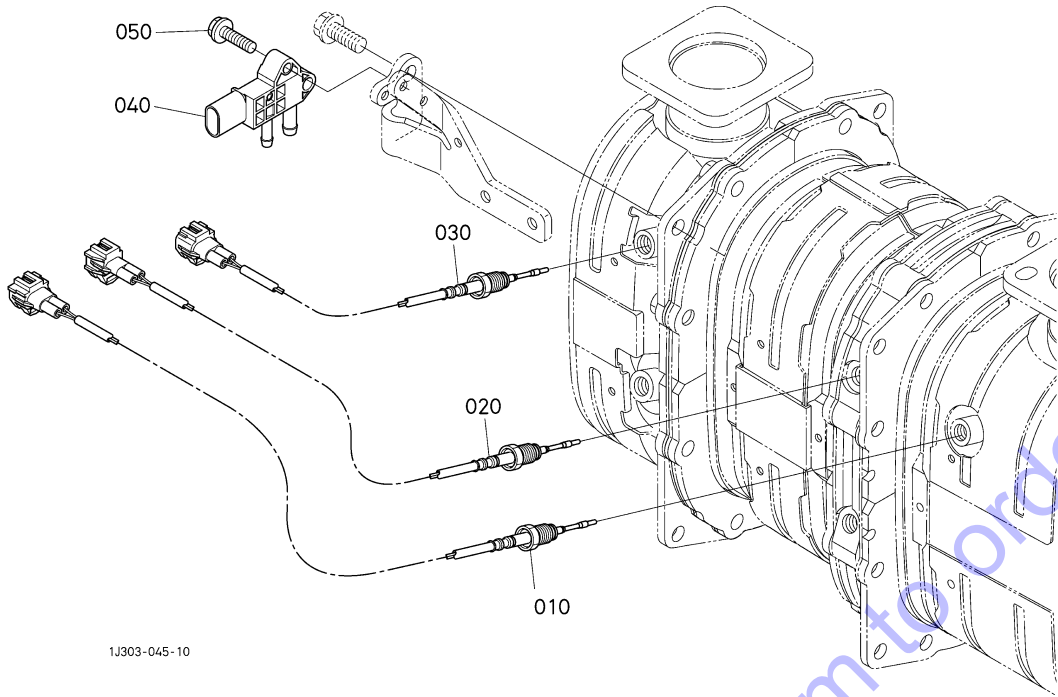
# 574200 ディーゼルパティキュレートフィルタマフラ分解 DIESEL PARTICULATE FILTER MUFFLER [COMPONENT PARTS]



A: V3800-TIEF4B-COHE-1

| 図番<br>REF.No. | 品番<br>PART No. | 部品名称                 | PART NAME           | 数量              | 互換<br>I.C. | 備 考<br>REMARKS |
|---------------|----------------|----------------------|---------------------|-----------------|------------|----------------|
|               |                |                      |                     | Q'TY/S.No.<br>A |            |                |
| 010           | ----           | マフラ, アツシ (DPF)       | MUFFLER, ASSY (DPF) | 1               |            |                |
| 020           | 1J303-1894-0   | シヨクハ イ, キット (DOC)    | CATALYST, KIT (DOC) | 1               |            |                |
| 030           | 1J508-1893-0   | フィルタ, キット (DPF)      | FILTER, KIT (DPF)   | 1               |            |                |
| 040           | 1J508-1895-0   | ボデー, キット (アウトレットDPF) | BODY, KIT           | 1               |            |                |
| 050           | 1J500-1840-0   | カラ (DPF)             | COLLAR (DPF)        | 1               |            |                |
| 060           | 1J500-1841-2   | ガasket (DPF)         | GASKET (DPF)        | 1               |            |                |
| 065           | 1J500-1841-2   | ガasket (DPF)         | GASKET (DPF)        | 1               |            |                |
| 067           | 1J500-1841-2   | ガasket (DPF)         | GASKET (DPF)        | 1               |            |                |
| 070           | 01774-51030    | フランジ ボルト             | BOLT, FLANGE        | 8               |            |                |
| 080           | 01774-51050    | フランジ ボルト             | BOLT, FLANGE        | 8               |            |                |
| 090           | 1J520-1842-0   | フランジ ナット             | NUT, FLANGE         | 16              |            |                |
|               |                |                      |                     |                 |            |                |
|               |                |                      |                     |                 |            |                |
|               |                |                      |                     |                 |            |                |
|               |                |                      |                     |                 |            |                |
|               |                |                      |                     |                 |            |                |
|               |                |                      |                     |                 |            |                |
|               |                |                      |                     |                 |            |                |
|               |                |                      |                     |                 |            |                |
|               |                |                      |                     |                 |            |                |
|               |                |                      |                     |                 |            |                |
|               |                |                      |                     |                 |            |                |
|               |                |                      |                     |                 |            |                |
|               |                |                      |                     |                 |            |                |
|               |                |                      |                     |                 |            |                |
|               |                |                      |                     |                 |            |                |
|               |                |                      |                     |                 |            |                |
|               |                |                      |                     |                 |            |                |
|               |                |                      |                     |                 |            |                |
|               |                |                      |                     |                 |            |                |
|               |                |                      |                     |                 |            |                |
|               |                |                      |                     |                 |            |                |
|               |                |                      |                     |                 |            |                |
|               |                |                      |                     |                 |            |                |
|               |                |                      |                     |                 |            |                |
|               |                |                      |                     |                 |            |                |

# 574300 ディーゼルパーティキュレートフィルタマフラセンサ DIESEL PARTICULATE FILTER MUFFLER SENSOR



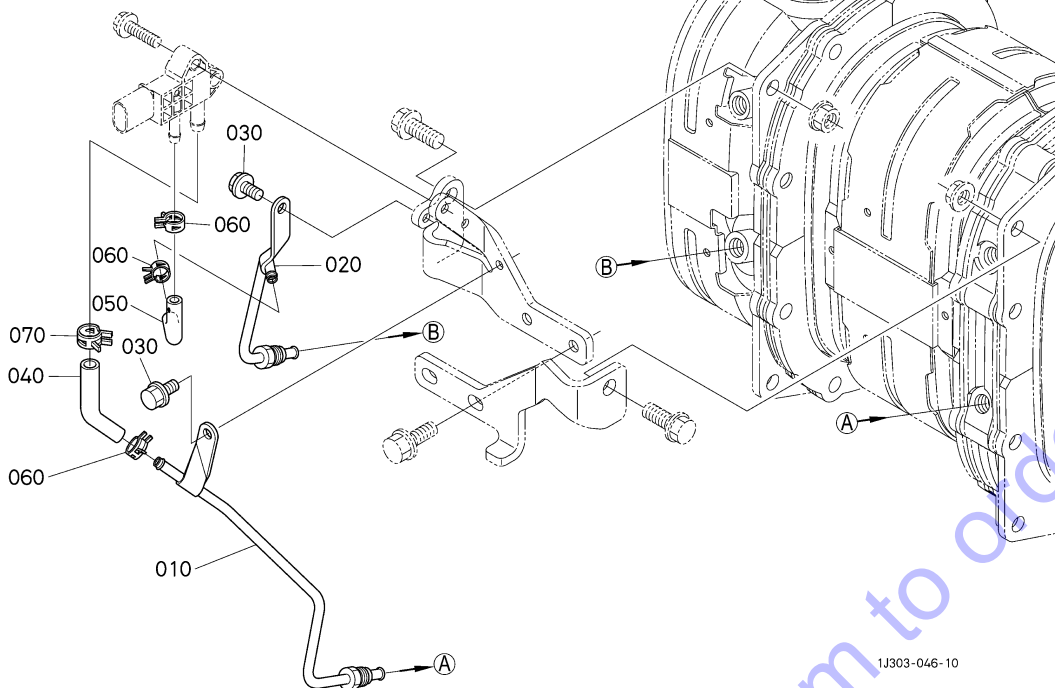
1J303-045-10

A: V3800-TIEF4B-COHE-1

| 図番<br>REF.No. | 品番<br>PART No. | 部品名称        | PART NAME        | 数量<br>Q'TY/S.No. | 互換<br>I.C. | 備 考<br>REMARKS |
|---------------|----------------|-------------|------------------|------------------|------------|----------------|
|               |                |             |                  | A                |            |                |
| 010           | 1J500-1850-0   | センサ(オンド, 0) | SENSOR(THERMO,0) | 1                |            | 黒色             |
| 020           | 1J770-1851-0   | センサ(オンド, 1) | SENSOR(THERMO,1) | 1                |            | 灰色             |
| 030           | 1J500-1852-2   | センサ(オンド, 2) | SENSOR(THERMO,2) | 1                |            | 白色             |
| 040           | 1J520-1860-0   | センサ(サアツ)    | SENSOR           | 1                |            |                |
| 050           | 01754-50625    | フランジボルト     | BOLT,FLANGE      | 2                |            |                |
|               |                |             |                  |                  |            |                |
|               |                |             |                  |                  |            |                |
|               |                |             |                  |                  |            |                |
|               |                |             |                  |                  |            |                |
|               |                |             |                  |                  |            |                |
|               |                |             |                  |                  |            |                |
|               |                |             |                  |                  |            |                |
|               |                |             |                  |                  |            |                |
|               |                |             |                  |                  |            |                |
|               |                |             |                  |                  |            |                |
|               |                |             |                  |                  |            |                |
|               |                |             |                  |                  |            |                |
|               |                |             |                  |                  |            |                |
|               |                |             |                  |                  |            |                |
|               |                |             |                  |                  |            |                |
|               |                |             |                  |                  |            |                |
|               |                |             |                  |                  |            |                |
|               |                |             |                  |                  |            |                |
|               |                |             |                  |                  |            |                |
|               |                |             |                  |                  |            |                |
|               |                |             |                  |                  |            |                |
|               |                |             |                  |                  |            |                |
|               |                |             |                  |                  |            |                |

↔ 新旧部品兼用可; ≠ 新旧部品兼用不可; ← 新部品は旧部品に兼用可; → 旧部品は新部品に兼用可

# 574500 差圧パイプ PRESSURE PIPE



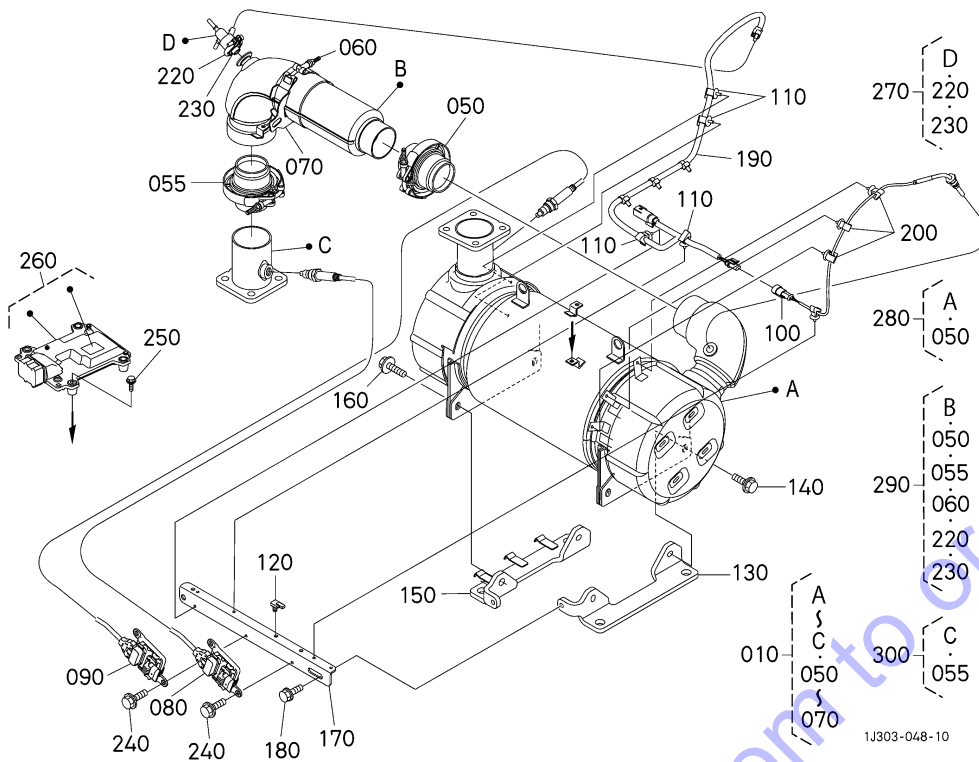
A: V3800-TIEF4B-COHE-1

| 図番<br>REF.No. | 品番<br>PART No. | 部品名称            | PART NAME              | 数量              | 互換<br>I.C. | 備考<br>REMARKS |
|---------------|----------------|-----------------|------------------------|-----------------|------------|---------------|
|               |                |                 |                        | Q'TY/S.No.<br>A |            |               |
| 010           | 1J500-1862-0   | パイプ, コン (サツ, 1) | PIPE, COMP(PRESSURE,1) | 1               |            |               |
| 020           | 1J500-1863-0   | パイプ, コン (サツ, 2) | PIPE, COMP(PRESSURE,2) | 1               |            |               |
| 030           | 01754-50612    | フランジボルト         | BOLT, FLANGE           | 2               |            |               |
| 040           | 1J500-1864-2   | チューブ (サツ, 1)    | TUBE(PRESSURE, 1)      | 1               |            |               |
| 050           | 1J500-1865-2   | チューブ (サツ, 2)    | TUBE(PRESSURE,2)       | 1               |            |               |
| 060           | 09318-88100    | ホースクランプ (パイプ)   | CLAMP, HOSE            | 3               |            |               |
| 070           | 09318-88115    | パイプクリップ         | CLAMP, HOSE            | 1               |            |               |
|               |                |                 |                        |                 |            |               |
|               |                |                 |                        |                 |            |               |
|               |                |                 |                        |                 |            |               |
|               |                |                 |                        |                 |            |               |
|               |                |                 |                        |                 |            |               |
|               |                |                 |                        |                 |            |               |
|               |                |                 |                        |                 |            |               |
|               |                |                 |                        |                 |            |               |
|               |                |                 |                        |                 |            |               |
|               |                |                 |                        |                 |            |               |
|               |                |                 |                        |                 |            |               |
|               |                |                 |                        |                 |            |               |
|               |                |                 |                        |                 |            |               |
|               |                |                 |                        |                 |            |               |
|               |                |                 |                        |                 |            |               |
|               |                |                 |                        |                 |            |               |
|               |                |                 |                        |                 |            |               |
|               |                |                 |                        |                 |            |               |
|               |                |                 |                        |                 |            |               |
|               |                |                 |                        |                 |            |               |

↔ 新旧部品兼用可; ≠ 新旧部品兼用不可; ← 新部品は旧部品に兼用可; → 旧部品は新部品に兼用可



# 575000 セレクティブカタリティックリダクションマフラ SELECTIVE CATALYTIC REDUCTION MUFFLER



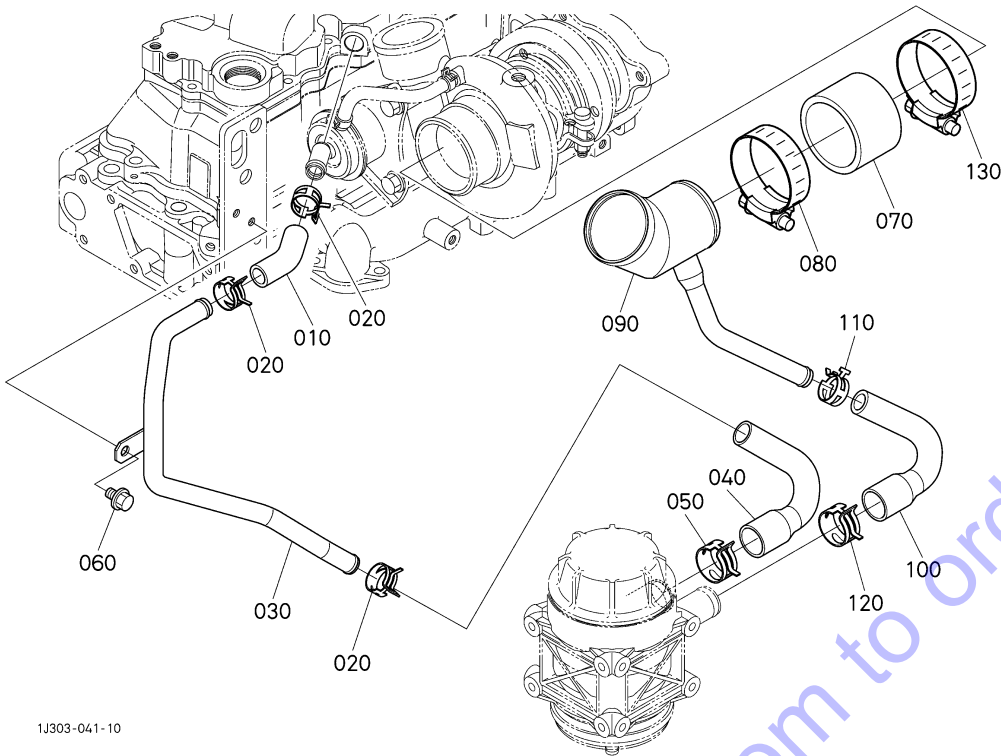
A: V3800-TIEF4B-COHE-1

| 図番<br>REF.No. | 品番<br>PART No. | 部品名称                 | PART NAME               | 数量              | 互換<br>I.C. | 備考<br>REMARKS |
|---------------|----------------|----------------------|-------------------------|-----------------|------------|---------------|
|               |                |                      |                         | Q'TY/S.No.<br>A |            |               |
| 010           | 1J508-1910-4   | マフラ, アツシ (SCR)       | MUFFLER, ASSY (SCR)     | 1               |            |               |
| 020           | ---            | ブランク                 | BLANK                   | -               |            |               |
| 030           | ---            | ブランク                 | BLANK                   | -               |            |               |
| 040           | ---            | ブランク                 | BLANK                   | -               |            |               |
| 050           | 1J508-1927-0   | バンド, アツシ (スリッパ)      | BAND, ASSY              | 1               |            |               |
| 055           | 1J508-1927-0   | バンド, アツシ (スリッパ)      | BAND, ASSY              | 1               |            |               |
| 060           | 1J508-1926-0   | バンド, アツシ (ステー)       | BAND, ASSY              | 1               |            |               |
| 070           | 1J507-1979-0   | ステー (パイプ)            | STAY (PIPE)             | 1               |            |               |
| 080           | 1J508-1936-0   | センサ (NOX, PRE)       | SENSOR (NOX, PRE)       | 1               |            | 黒色            |
| 090           | 1J508-1937-0   | センサ (NOX, POST)      | SENSOR (NOX, POST)      | 1               |            | 灰色            |
| 100           | 1J509-1938-0   | センサ (オント, SCR)       | SENSOR (THERMO)         | 1               |            |               |
| 110           | 1J508-6539-0   | クランプ (WH)            | CLAMP (WIRE)            | 4               |            |               |
| 120           | 1J509-6539-0   | クランプ (コネクタ)          | CLAMP                   | 1               |            |               |
| 130           | 1J508-1970-0   | ブラケット (SCR, 1)       | BRACKET (SCR, 1)        | 1               |            |               |
| 140           | 01774-51030    | フランジボルト              | BOLT, FLANGE            | 2               |            |               |
| 150           | 1J508-1971-0   | ブラケット (SCR, 2)       | BRACKET                 | 1               |            |               |
| 160           | 01774-51030    | フランジボルト              | BOLT, FLANGE            | 2               |            |               |
| 170           | 1J508-1972-2   | ブラケット (SCR, 3)       | BRACKET (SCR, 3)        | 1               |            |               |
| 180           | 01774-51016    | フランジボルト              | BOLT, FLANGE            | 2               |            |               |
| 190           | 1J508-6509-0   | ワイヤハーネス, アツシ (SCR)   | HARNESS, WIRE, ASSY     | 1               |            |               |
| 200           | 1J508-6539-0   | クランプ (WH)            | CLAMP (WIRE)            | 4               |            |               |
| 210           | ---            | ブランク                 | BLANK                   | -               |            |               |
| 220           | 1J508-1951-0   | バンド (INJ, DEF)       | BAND (INJ)              | 1               |            |               |
| 230           | 1J508-1952-0   | ガスケット (INJ, DEF)     | GASKET (INJ)            | 1               |            |               |
| 240           | 01754-50612    | フランジボルト              | BOLT, FLANGE            | 2               |            |               |
| 250           | 01754-50630    | フランジボルト              | BOLT, FLANGE            | 2               |            |               |
| 260           | 1H100-5909-0   | ECU, サブアツシ (ACU-OEM) | ECU, SUB-ASSY (ACU-OEM) | 1               |            |               |
| 270           | 1J508-9764-0   | インジェクタ, キット (DEF)    | INJECTOR, KIT (DEF)     | 1               |            |               |
| 280           | 1J508-9760-0   | シヨクハイ, キット (SCR)     | CATALYST, KIT (SCR)     | 1               |            |               |
| 290           | 1J508-9762-3   | パイプ, キット (ミキシング)     | PIPE, KIT (MIXING)      | 1               |            |               |

↔ 新旧部品兼用可; ≠ 新旧部品兼用不可; ← 新品は旧部品に兼用可; → 旧部品は新品に兼用可



576000 ブレーザーパイプ・セパレータパイプ  
BREATHER PIPE/SEPARATOR PIPE



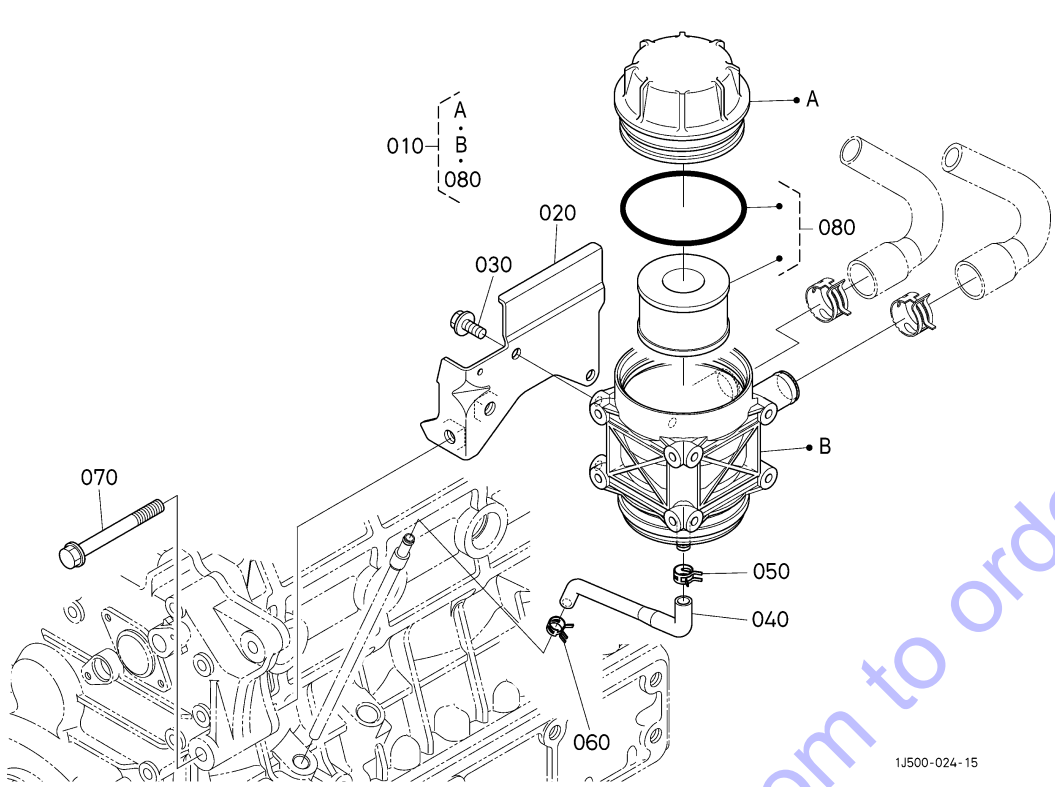
1J303-041-10

A: V3800-TIEF4B-COHE-1

| 図番<br>REF.No. | 品番<br>PART No. | 部品名称              | PART NAME            | 数量              | 互換<br>I.C. | 備考<br>REMARKS |
|---------------|----------------|-------------------|----------------------|-----------------|------------|---------------|
|               |                |                   |                      | Q'TY/S.No.<br>A |            |               |
| 010           | 1J500-0585-0   | チューブ (1, セパレータ)   | TUBE,SEPARATOR       | 1               |            |               |
| 020           | 1J508-0558-0   | ホースクランプ (ハネジキ)    | CLAMP,HOSE           | 3               |            |               |
| 030           | 1J508-0587-0   | パイプ, コンブ (セパレータ)  | PIPE,COMP(SEPARATOR) | 1               |            |               |
| 040           | 1J419-0586-0   | チューブ (2, セパレータ)   | TUBE(2,BREATHER)     | 1               |            |               |
| 050           | 09318-88260    | ホースクランプ (ハネジキ)    | CLAMP,HOSE           | 1               |            |               |
| 060           | 01754-50812    | フランジボルト           | BOLT,FLANGE          | 1               |            |               |
| 070           | 1J419-1162-0   | チューブ (インレット, ターボ) | TUBE,INLET TURBO     | 1               |            |               |
| 080           | RD809-6310-0   | ホースクランプ (60-80)   | CLAMP,HOSE           | 1               |            |               |
| 090           | 1J301-0565-0   | パイプ, コンブ (ブレス)    | PIPE,COMP(BREATHER)  | 1               |            |               |
| 100           | 1J419-0586-0   | チューブ (2, セパレータ)   | TUBE(2,BREATHER)     | 1               |            |               |
| 110           | 09318-88200    | ホースクランプ (ハネジキ)    | CLAMP,HOSE           | 1               |            |               |
| 120           | 09318-88260    | ホースクランプ (ハネジキ)    | CLAMP,HOSE           | 1               |            |               |
| 130           | RD809-6310-0   | ホースクランプ (60-80)   | CLAMP,HOSE           | 1               |            |               |
|               |                |                   |                      |                 |            |               |
|               |                |                   |                      |                 |            |               |
|               |                |                   |                      |                 |            |               |
|               |                |                   |                      |                 |            |               |
|               |                |                   |                      |                 |            |               |
|               |                |                   |                      |                 |            |               |
|               |                |                   |                      |                 |            |               |
|               |                |                   |                      |                 |            |               |
|               |                |                   |                      |                 |            |               |
|               |                |                   |                      |                 |            |               |
|               |                |                   |                      |                 |            |               |

↔ 新旧部品兼用可; ≠ 新旧部品兼用不可; ← 新部品は旧部品に兼用可; → 旧部品は新部品に兼用可

# 576501 オイルセパレータ OIL SEPARATOR



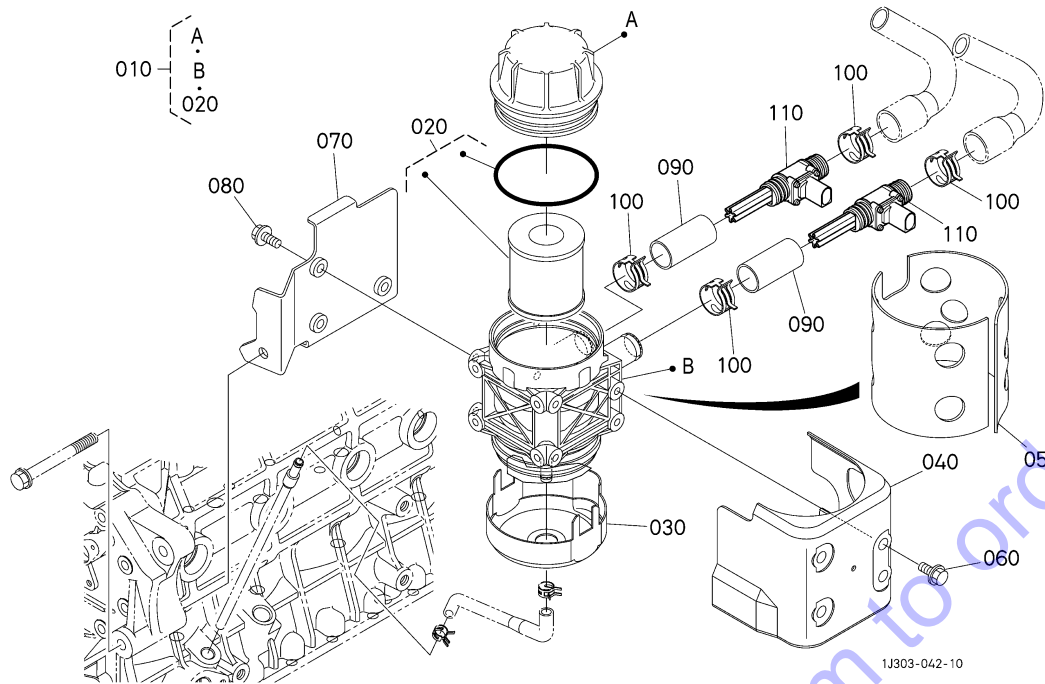
1J500-024-15

A: V3800-TIEF4B-COHE-1

| 図番<br>REF.No. | 品番<br>PART No. | 部品名称               | PART NAME                 | 数量              | 互換<br>I.C. | 備考<br>REMARKS |
|---------------|----------------|--------------------|---------------------------|-----------------|------------|---------------|
|               |                |                    |                           | Q'TY/S.No.<br>A |            |               |
| 010           | 1J508-0503-2   | セパレータ, アツツ         | SEPARATOR, ASSY           | 1               |            |               |
| 020           | 1J500-0582-2   | ブラケット, コンブ (セパレータ) | BRACKET, COMP (SEPARATOR) | 1               |            |               |
| 030           | 01754-50820    | フランジボルト            | BOLT, FLANGE              | 2               |            |               |
| 040           | 1J419-0583-0   | チューブ (オイルリターン)     | TUBE, OIL RETURN          | 1               |            |               |
| 050           | 09318-88130    | ホースクランプ (ハネジ)      | CLAMP, HOSE               | 1               |            |               |
| 060           | 09318-88115    | パイプクリップ            | CLAMP, HOSE               | 1               |            |               |
| 070           | 01774-51080    | フランジボルト            | BOLT, FLANGE              | 1               |            |               |
| 080           | 1J508-0581-2   | エレメント, キット (セパレータ) | ELEMENT, KIT              | 1               |            |               |
|               |                |                    |                           |                 |            |               |
|               |                |                    |                           |                 |            |               |
|               |                |                    |                           |                 |            |               |
|               |                |                    |                           |                 |            |               |
|               |                |                    |                           |                 |            |               |
|               |                |                    |                           |                 |            |               |
|               |                |                    |                           |                 |            |               |
|               |                |                    |                           |                 |            |               |
|               |                |                    |                           |                 |            |               |
|               |                |                    |                           |                 |            |               |
|               |                |                    |                           |                 |            |               |
|               |                |                    |                           |                 |            |               |
|               |                |                    |                           |                 |            |               |

↔ 新旧部品兼用可; ≠ 新旧部品兼用不可; ← 新部品は旧部品に兼用可; → 旧部品は新部品に兼用可

# 576502 オイルセパレータ [オプション] OIL SEPARATOR [OPTION]

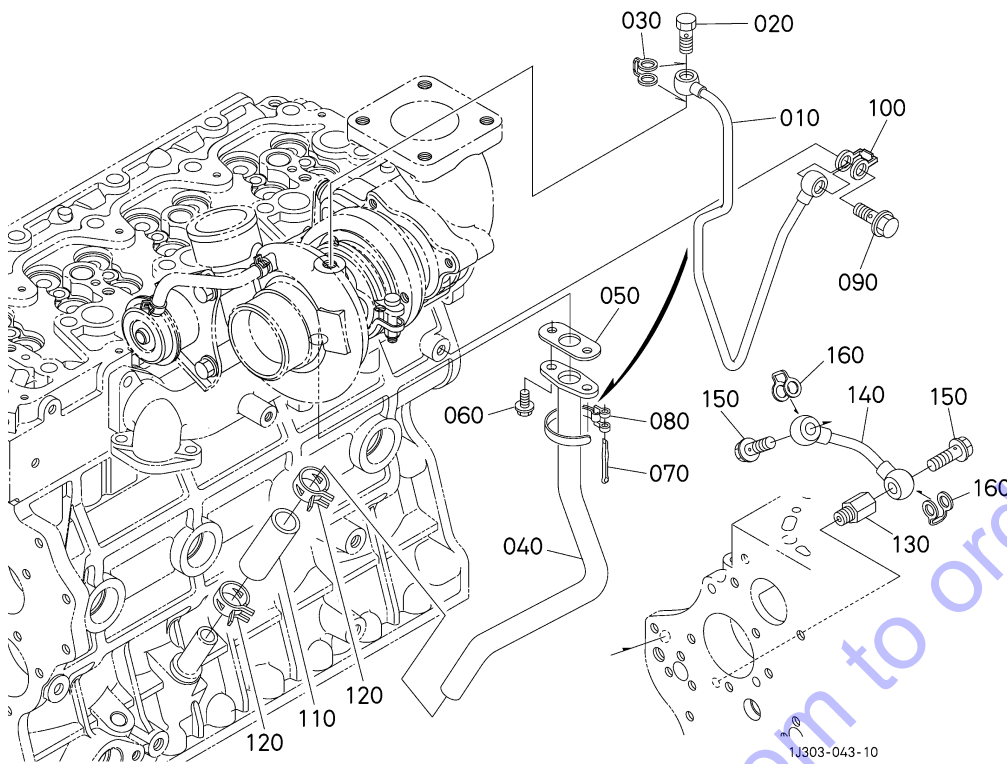


A: V3800-TIEF4B-COHE-1

| 図番<br>REF.No. | 品番<br>PART No. | 部品名称             | PART NAME               | 数量              | 互換<br>I.C. | 備考<br>REMARKS |
|---------------|----------------|------------------|-------------------------|-----------------|------------|---------------|
|               |                |                  |                         | Q'TY/S.No.<br>A |            |               |
| 010           | 1J509-0503-2   | セパレータ,アツツ        | SEPARATOR,ASSY          | 1               |            |               |
| 020           | 1J508-0581-2   | エレメント,キット(セパレータ) | ELEMENT,KIT             | 1               |            |               |
| 030           | 1E474-0540-0   | カバー(セパレータ,2)     | COVER                   | 1               |            |               |
| 040           | 1E474-0535-0   | カバー(セパレータ,1)     | COVER                   | 1               |            |               |
| 050           | 1E474-7578-2   | ターンネットザイ(カバー)    | INSULATION(HEAT)        | 1               |            |               |
| 060           | 01754-50825    | フランジボルト          | BOLT,FLANGE             | 4               |            |               |
| 070           | 1J509-0582-0   | ブラケット,コンプ(セパレータ) | BRACKET,COMP(SEPARATOR) | 1               |            |               |
| 080           | 01754-50825    | フランジボルト          | BOLT,FLANGE             | 3               |            |               |
| 090           | 1E474-0586-2   | チューブ(3,セパレータ)    | TUBE(3,SEPARATOR)       | 2               |            |               |
| 100           | 09318-88260    | ホースクランプ(ハネシキ)    | CLAMP,HOSE              | 4               |            |               |
| 110           | 1E474-0575-0   | ヒータ(フローバイカス,L)   | HEATER                  | 2               |            |               |
|               |                |                  |                         |                 |            |               |
|               |                |                  |                         |                 |            |               |
|               |                |                  |                         |                 |            |               |
|               |                |                  |                         |                 |            |               |
|               |                |                  |                         |                 |            |               |
|               |                |                  |                         |                 |            |               |
|               |                |                  |                         |                 |            |               |
|               |                |                  |                         |                 |            |               |
|               |                |                  |                         |                 |            |               |
|               |                |                  |                         |                 |            |               |
|               |                |                  |                         |                 |            |               |
|               |                |                  |                         |                 |            |               |
|               |                |                  |                         |                 |            |               |
|               |                |                  |                         |                 |            |               |
|               |                |                  |                         |                 |            |               |
|               |                |                  |                         |                 |            |               |
|               |                |                  |                         |                 |            |               |
|               |                |                  |                         |                 |            |               |
|               |                |                  |                         |                 |            |               |
|               |                |                  |                         |                 |            |               |
|               |                |                  |                         |                 |            |               |
|               |                |                  |                         |                 |            |               |
|               |                |                  |                         |                 |            |               |
|               |                |                  |                         |                 |            |               |
|               |                |                  |                         |                 |            |               |
|               |                |                  |                         |                 |            |               |
|               |                |                  |                         |                 |            |               |
|               |                |                  |                         |                 |            |               |
|               |                |                  |                         |                 |            |               |
|               |                |                  |                         |                 |            |               |
|               |                |                  |                         |                 |            |               |

↔ 新旧部品兼用可; ≠ 新旧部品兼用不可; ← 新部品は旧部品に兼用可; → 旧部品は新部品に兼用可

# 580000 オイルパイプ (ターボチャージャ) OIL PIPE (TURBO CHARGER)

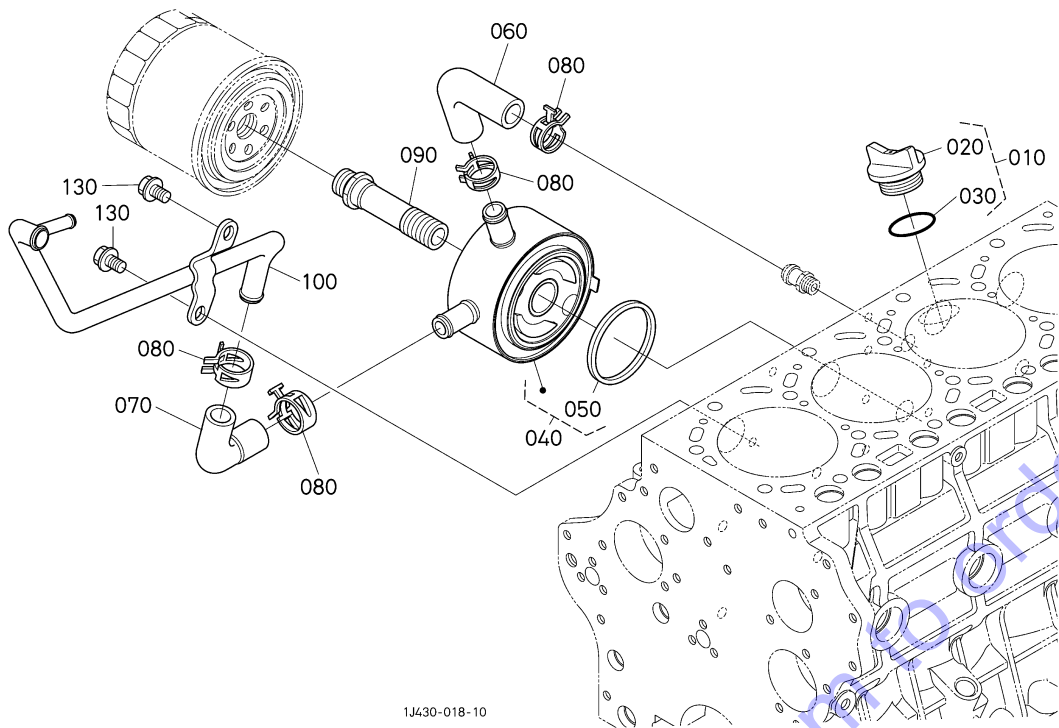


A: V3800-TIEF4B-COHE-1

| 図番<br>REF.No. | 品番<br>PART No. | 部品名称                | PART NAME           | 数量              | 互換<br>I.C. | 備考<br>REMARKS |
|---------------|----------------|---------------------|---------------------|-----------------|------------|---------------|
|               |                |                     |                     | Q'TY/S.No.<br>A |            |               |
| 010           | 1J583-3304-0   | パイプ, コンパ (1, オイル)   | PIPE, COMP(1,OIL)   | 1               |            |               |
| 020           | 17371-9580-0   | アイカン ツギテ ボルト        | BOLT,EYE JOINT      | 1               |            |               |
| 030           | 1G777-9665-0   | ガスケット               | GASKET              | 1               |            |               |
| 040           | 1J508-3306-0   | パイプ, コンパ (3, オイル)   | PIPE, COMP(3,OIL)   | 1               |            |               |
| 050           | 1J550-3367-0   | ガスケット(オイルパイプ, TC)   | GASKET(OIL PIPE)    | 1               |            |               |
| 060           | 01754-50612    | フランジ ボルト            | BOLT,FLANGE         | 2               |            |               |
| 070           | 33430-8276-0   | エアツ パイプ バンド ピン      | PIN(BAND)           | 1               |            |               |
| 080           | 1A024-3352-0   | クランプ (パイプ)          | CLAMP(PIPE)         | 1               |            |               |
| 090           | 1J860-9579-0   | ツギテ ボルト             | BOLT,CONNECT        | 1               |            |               |
| 100           | 1G557-9665-0   | ガスケット               | GASKET              | 1               |            |               |
| 110           | 1J553-3324-0   | ホース(オイル)            | HOSE                | 1               |            |               |
| 120           | 09318-88230    | ホースクランプ (パイプ)       | CLAMP,HOSE          | 2               |            |               |
| 130           | 1J508-3336-0   | クワ ツギテ(オイル)         | JOINT,PIPE(OIL)     | 1               |            |               |
| 140           | 1J508-3369-0   | パイプ, コンパ (オイル, IG3) | PIPE, COMP(OIL,IG3) | 1               |            |               |
| 150           | 1J860-9579-0   | ツギテ ボルト             | BOLT,CONNECT        | 2               |            |               |
| 160           | 1G557-9665-0   | ガスケット               | GASKET              | 2               |            |               |

↔ 新旧部品兼用可; ≠ 新旧部品兼用不可; ← 新部品は旧部品に兼用可; → 旧部品は新部品に兼用可

# 582000 オイルクーラ OIL COOLER



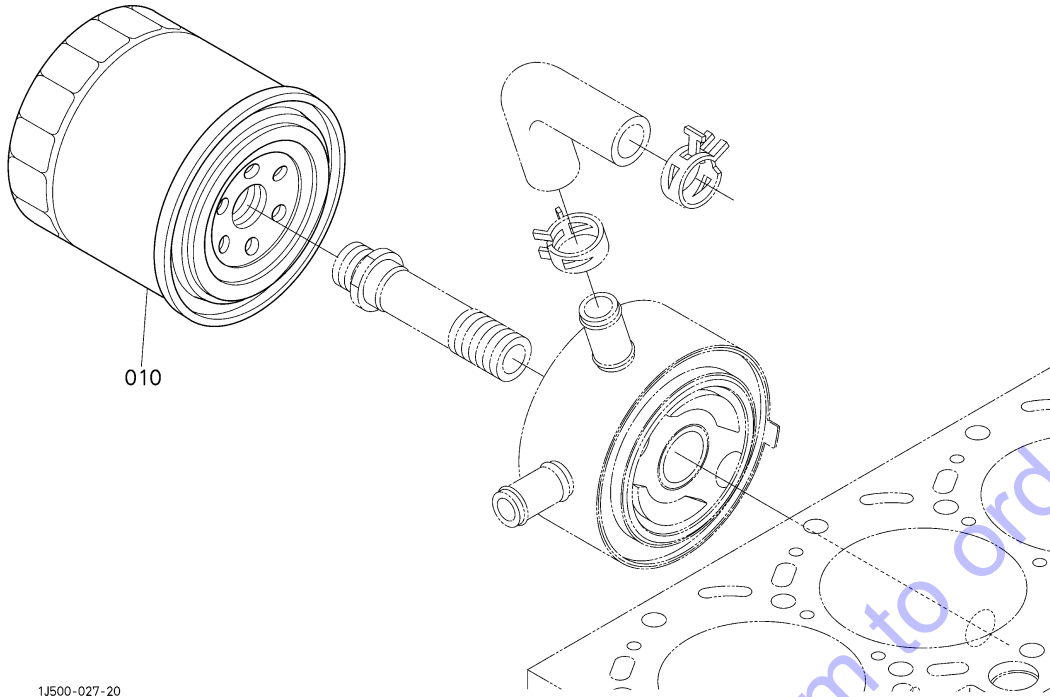
1J430-018-10

A: V3800-TIEF4B-COHE-1

| 図番<br>REF.No. | 品番<br>PART No. | 部品名称              | PART NAME               | 数量              | 互換<br>I.C. | 備考<br>REMARKS |
|---------------|----------------|-------------------|-------------------------|-----------------|------------|---------------|
|               |                |                   |                         | Q'TY/S.No.<br>A |            |               |
| 010           | 1C010-3308-0   | プラグ, アツシ (キユウ)    | ASSY PLUG, O/FILLER     | 1               |            |               |
| 020           | E9151-3314-0   | プラグ (キユウ)         | PLUG(OIL FILLER)        | 1               |            |               |
| 030           | 04817-50300    | Oリング              | O RING                  | 1               |            |               |
| 040           | 1J500-3701-2   | オイルクーラ, アツシ       | COOLER,OIL, ASSY        | 1               |            |               |
| 050           | 15484-3707-0   | オイルクーラケース パツキン    | GASKET                  | 1               |            |               |
| 060           | 1J500-3715-0   | ホース (1, オイルクーラ)   | HOSE, OIL COOLER        | 1               |            |               |
| 070           | 1J500-3718-0   | ホース (2, オイルクーラ)   | HOSE, OIL COOLER        | 1               |            |               |
| 080           | 09318-88200    | ホースクランプ (パネッキ)    | CLAMP, HOSE             | 4               |            |               |
| 090           | 1J500-3229-0   | クタツキテ (オイルクーラ)    | JOINT                   | 1               |            |               |
| 100           | 1E604-3716-0   | パイプ, コンパ (オイルクーラ) | PIPE, COMP (OIL COOLER) | 1               |            |               |
| 110           | ----           | プラグ               | BLANK                   | -               |            |               |
| 120           | ----           | プラグ               | BLANK                   | -               |            |               |
| 130           | 01754-50812    | フランジ ボルト          | BOLT, FLANGE            | 2               |            |               |
|               |                |                   |                         |                 |            |               |
|               |                |                   |                         |                 |            |               |
|               |                |                   |                         |                 |            |               |
|               |                |                   |                         |                 |            |               |
|               |                |                   |                         |                 |            |               |
|               |                |                   |                         |                 |            |               |
|               |                |                   |                         |                 |            |               |
|               |                |                   |                         |                 |            |               |
|               |                |                   |                         |                 |            |               |
|               |                |                   |                         |                 |            |               |
|               |                |                   |                         |                 |            |               |
|               |                |                   |                         |                 |            |               |
|               |                |                   |                         |                 |            |               |
|               |                |                   |                         |                 |            |               |
|               |                |                   |                         |                 |            |               |
|               |                |                   |                         |                 |            |               |
|               |                |                   |                         |                 |            |               |
|               |                |                   |                         |                 |            |               |
|               |                |                   |                         |                 |            |               |
|               |                |                   |                         |                 |            |               |
|               |                |                   |                         |                 |            |               |
|               |                |                   |                         |                 |            |               |
|               |                |                   |                         |                 |            |               |
|               |                |                   |                         |                 |            |               |
|               |                |                   |                         |                 |            |               |
|               |                |                   |                         |                 |            |               |
|               |                |                   |                         |                 |            |               |
|               |                |                   |                         |                 |            |               |
|               |                |                   |                         |                 |            |               |

↔ 新旧部品兼用可; ≠ 新旧部品兼用不可; ← 新部品は旧部品に兼用可; → 旧部品は新部品に兼用可

# 583000 オイルフィルタ OIL FILTER



1J500-027-20

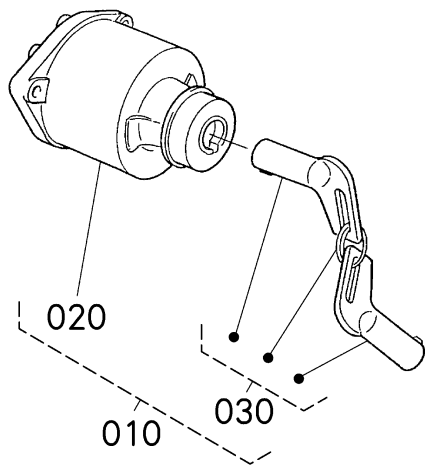
A: V3800-T1EF4B-COHE-1

| 図番<br>REF.No. | 品番<br>PART No. | 部品名称              | PART NAME             | 数量         |            | 備考<br>REMARKS |
|---------------|----------------|-------------------|-----------------------|------------|------------|---------------|
|               |                |                   |                       | Q'TY/S.No. | 互換<br>I.C. |               |
| 010           | 1C020-3243-4   | フィルタ(オイル, カートリッジ) | CARTRIDGE,OIL FILTER  | 1          |            |               |
| 010           | HH1C0-3243-0   | フィルタ(オイル, カートリッジ) | FILTER(CARTRIDGE,OIL) | 1          |            |               |
|               |                |                   |                       |            |            |               |
|               |                |                   |                       |            |            |               |
|               |                |                   |                       |            |            |               |
|               |                |                   |                       |            |            |               |
|               |                |                   |                       |            |            |               |
|               |                |                   |                       |            |            |               |
|               |                |                   |                       |            |            |               |
|               |                |                   |                       |            |            |               |
|               |                |                   |                       |            |            |               |
|               |                |                   |                       |            |            |               |
|               |                |                   |                       |            |            |               |
|               |                |                   |                       |            |            |               |
|               |                |                   |                       |            |            |               |
|               |                |                   |                       |            |            |               |
|               |                |                   |                       |            |            |               |
|               |                |                   |                       |            |            |               |
|               |                |                   |                       |            |            |               |
|               |                |                   |                       |            |            |               |
|               |                |                   |                       |            |            |               |
|               |                |                   |                       |            |            |               |
|               |                |                   |                       |            |            |               |
|               |                |                   |                       |            |            |               |
|               |                |                   |                       |            |            |               |
|               |                |                   |                       |            |            |               |
|               |                |                   |                       |            |            |               |
|               |                |                   |                       |            |            |               |

↔ 新旧部品兼用可; ≠ 新旧部品兼用不可; ← 新部品は旧部品に兼用可; → 旧部品は新部品に兼用可



# 587000 スタータスイッチ STARTER SWITCH



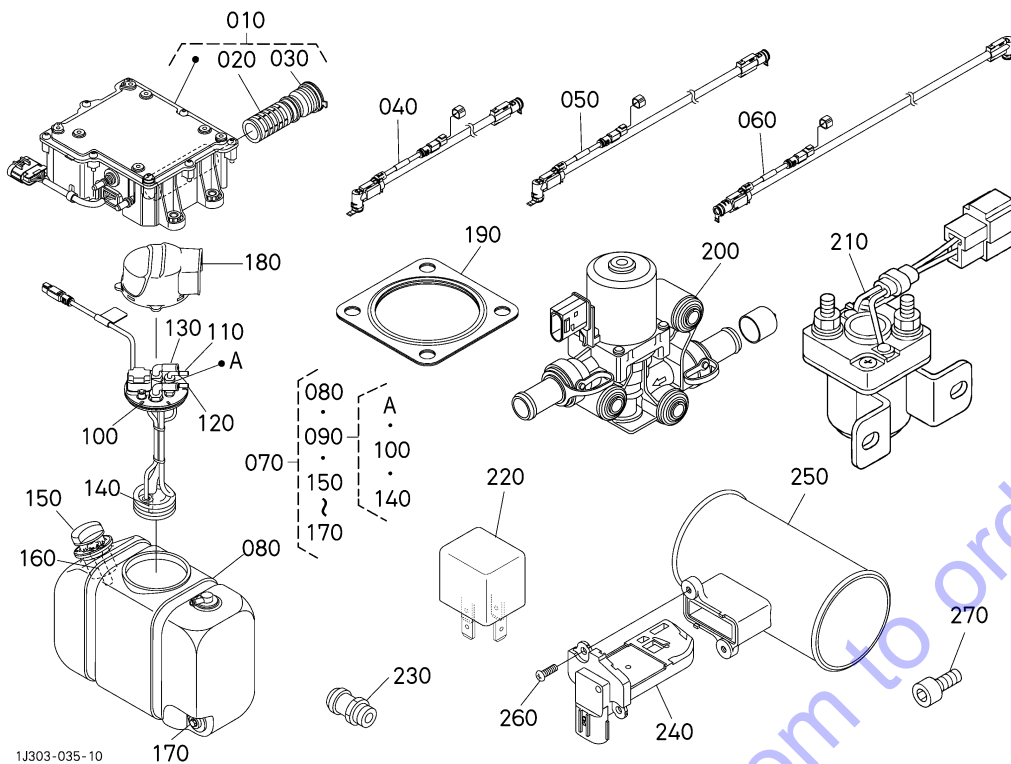
1G313-009-12

A: V3800-TIEF4B-COHE-1

| 図番<br>REF.No. | 品番<br>PART No. | 部品名称        | PART NAME           | 数量              | 互換<br>I.C. | 備考<br>REMARKS |
|---------------|----------------|-------------|---------------------|-----------------|------------|---------------|
|               |                |             |                     | Q'TY/S.No.<br>A |            |               |
| 010           | 17422-6359-0   | スタータスイッチ アツ | ASSY SWITCH,STARTER | 1               |            |               |
| 020           | 17422-6361-0   | スタータスイッチ    | SWITCH,STARTER      | 1               |            |               |
| 030           | 17422-6370-0   | キー, アツ      | ASSY KEY            | 1               |            |               |
|               |                |             |                     |                 |            |               |
|               |                |             |                     |                 |            |               |
|               |                |             |                     |                 |            |               |
|               |                |             |                     |                 |            |               |
|               |                |             |                     |                 |            |               |
|               |                |             |                     |                 |            |               |
|               |                |             |                     |                 |            |               |
|               |                |             |                     |                 |            |               |
|               |                |             |                     |                 |            |               |
|               |                |             |                     |                 |            |               |
|               |                |             |                     |                 |            |               |
|               |                |             |                     |                 |            |               |
|               |                |             |                     |                 |            |               |
|               |                |             |                     |                 |            |               |
|               |                |             |                     |                 |            |               |
|               |                |             |                     |                 |            |               |
|               |                |             |                     |                 |            |               |
|               |                |             |                     |                 |            |               |
|               |                |             |                     |                 |            |               |
|               |                |             |                     |                 |            |               |
|               |                |             |                     |                 |            |               |
|               |                |             |                     |                 |            |               |
|               |                |             |                     |                 |            |               |



# 588000 付属品・サービス部品 ACCESSORIES AND SERVICE PARTS



1J303-035-10

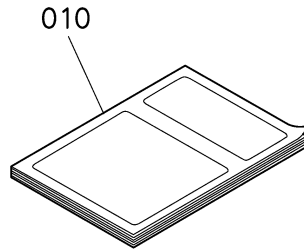
170

A: V3800-TIEF4B-COHE-1

| 図番<br>REF.No. | 品番<br>PART No. | 部品名称              | PART NAME                | 数量              | 互換<br>I.C. | 備考<br>REMARKS |
|---------------|----------------|-------------------|--------------------------|-----------------|------------|---------------|
|               |                |                   |                          | Q'TY/S.No.<br>A |            |               |
| 010           | 1J508-1965-0   | ポンプ, アツシ (DEF)    | PUMP,ASSY                | 1               |            |               |
| 020           | 1J508-1966-0   | フィルタ, アツシ (DEF)   | FILTER,ASSY(DEF)         | 1               |            |               |
| 030           | 1J508-1963-0   | キャップ (フィルタ, DEF)  | CAP                      | 1               |            |               |
| 040           | 1J508-1955-0   | チューブ (DEF, S)     | TUBE                     | 1               |            |               |
| 050           | 1E667-1956-0   | チューブ (DEF, P)     | TUBE(DEF,P)              | 1               |            |               |
| 060           | 1J481-1957-0   | チューブ (DEF, R)     | TUBE(DEF,R)              | 1               |            |               |
| 070           | 1E506-1980-2   | タンク, アツシ (DEF)    | TANK,ASSY(DEF)           | 1               |            |               |
| 080           | 1J508-1988-0   | タンク (DEF)         | TANK(DEF)                | 1               |            |               |
| 090           | 1E506-1987-0   | ヘッド, アツシ (タンク)    | HEADER,ASSY(TANK)        | 1               |            |               |
| 100           | 1J508-1989-0   | ガスケット (ヘッド)       | GASKET                   | 1               |            |               |
| 110           | 1J508-1990-0   | ツギテ, アツシ (DEF, 1) | JOINT,ASSY               | 1               |            |               |
| 120           | 1J508-1991-0   | ツギテ, アツシ (DEF, 2) | JOINT,ASSY               | 1               |            |               |
| 130           | 1J508-1992-0   | ツギテ, アツシ (WT)     | JOINT,ASSY               | 2               |            |               |
| 140           | 1J508-1999-0   | フィルタ (DEF)        | FILTER                   | 1               |            |               |
| 150           | 1J508-1982-2   | キャップ (タンク, DEF)   | CAP(TANK,DEF)            | 1               |            | 青色            |
| 160           | 1J508-1998-0   | フィルタ (フィラ)        | FILTER(FILLER)           | 1               |            |               |
| 170           | 1J508-1983-0   | プラグ, アツシ (ドレン)    | PLUG,ASSY(DRAIN)         | 1               |            |               |
| 180           | 1J508-1986-0   | カバー (ヘッド, タンク)    | COVER                    | 1               |            |               |
| 190           | 1J520-1223-0   | ガスケット (マフラー)      | GASKET,MUFFLER           | 2               |            |               |
| 200           | 1J508-1960-0   | バルブ, アツシ (クーラント)  | VALVE,ASSY               | 1               |            |               |
| 210           | 3N300-7521-3   | リレー (ヒータ)         | RELAY,HEATER             | 1               |            |               |
| 220           | 1J423-6023-3   | リレー (スタータ, 12V)   | RELAY                    | 5               |            |               |
| 230           | 1C010-3711-4   | クワツギテ (ウォーターパイプ)  | JOINT,WATER PIPE         | 2               |            |               |
| 240           | 1J520-1070-0   | センサ (エアフロー)       | SENSOR(AIR FLOW)         | 1               |            |               |
| 250           | 1J500-1071-0   | パイプ (エアフロー)       | PIPE(AIR FLOW)           | 1               |            |               |
| 260           | 03054-50412    | ナベ コネジ            | SCREW,PAN HEAD(PHILLIPS) | 2               |            |               |
| 270           | 1G381-9101-0   | ロツカクアツキボルト        | SCREW,HEX SOC CAP        | 8               |            |               |

↔ 新旧部品兼用可: ≠ 新旧部品兼用不可: ← 新部品は旧部品に兼用可: → 旧部品は新部品に兼用可

589000 銘板・取扱説明書  
 LABEL AND OPERATOR'S MANUAL



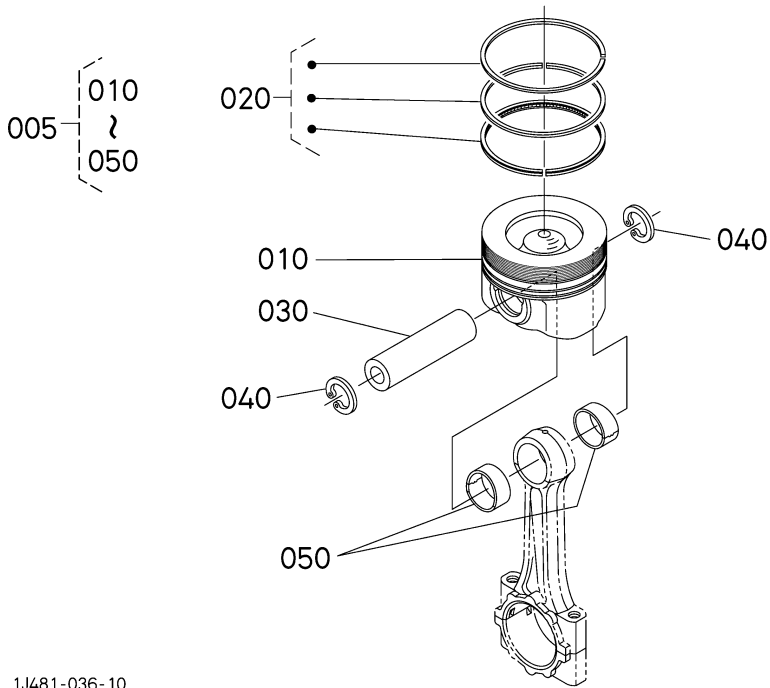
1J500-029-20

A: V3800-TIEF4B-C0HE-1

| 図番<br>REF.No. | 品番<br>PART No. | 部品名称         | PART NAME | 数量<br>Q'TY/S.No. | 互換<br>I.C. | 備考<br>REMARKS |
|---------------|----------------|--------------|-----------|------------------|------------|---------------|
|               |                |              |           | A                |            |               |
| 010           | 1J508-8915-5   | トリアツカイセツメイシヨ | MANUAL,OP | 1                |            |               |
|               |                |              |           |                  |            |               |
|               |                |              |           |                  |            |               |
|               |                |              |           |                  |            |               |
|               |                |              |           |                  |            |               |
|               |                |              |           |                  |            |               |
|               |                |              |           |                  |            |               |
|               |                |              |           |                  |            |               |
|               |                |              |           |                  |            |               |
|               |                |              |           |                  |            |               |
|               |                |              |           |                  |            |               |
|               |                |              |           |                  |            |               |
|               |                |              |           |                  |            |               |
|               |                |              |           |                  |            |               |
|               |                |              |           |                  |            |               |
|               |                |              |           |                  |            |               |
|               |                |              |           |                  |            |               |
|               |                |              |           |                  |            |               |
|               |                |              |           |                  |            |               |
|               |                |              |           |                  |            |               |
|               |                |              |           |                  |            |               |

↔ 新旧部品兼用可; ≠ 新旧部品兼用不可; ← 新部品は旧部品に兼用可; → 旧部品は新部品に兼用可

# 594000 ピストンキット [オプション] PISTON KIT [OPTION]

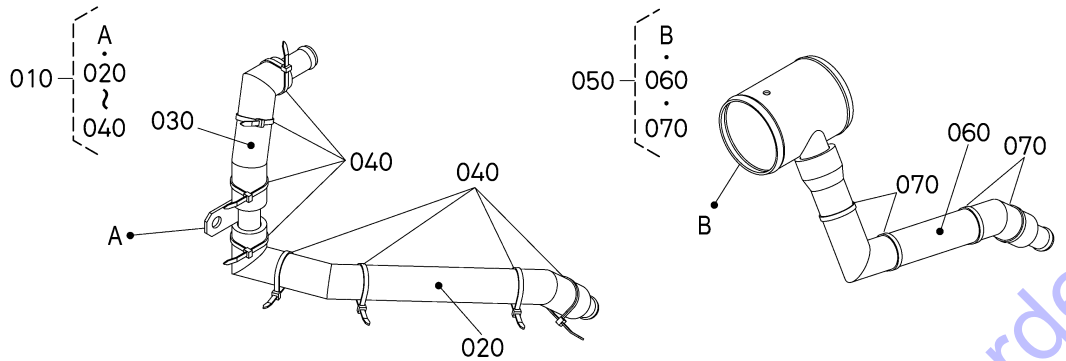


1J481-036-10

A: V3800-TIEF4B-COHE-1

| 図番<br>REF.No. | 品番<br>PART No. | 部品名称              | PART NAME             | 数量              | 互換<br>I.C. | 備考<br>REMARKS |
|---------------|----------------|-------------------|-----------------------|-----------------|------------|---------------|
|               |                |                   |                       | Q'TY/S.No.<br>A |            |               |
| 005           | 1J508-2177-0   | ピストン, キット (STD)   | PISTON, KIT (STD)     | 4               |            | STD           |
| 005           | 1J508-2178-0   | ピストン, キット (05)    | PISTON, KIT (05)      | 4               |            | +0.5mm        |
| 010           | 1J508-2111-0   | ピストン              | PISTON                | 4               |            | STD           |
| 010           | 1J508-2191-0   | ピストン (05)         | PISTON (05)           | 4               |            | +0.5mm        |
| 020           | 1J508-2105-0   | ピストンリング, アツシ      | RING, PISTON, ASSY    | 4               |            | STD           |
| 020           | 1J508-2109-0   | ピストンリング, アツシ (05) | RING, PISTON, ASSY 05 | 4               |            | +0.5mm        |
| 030           | 1J550-2131-0   | ピストンピン            | PIN, PISTON           | 4               |            |               |
| 040           | 04611-00300    | アナサークリップ          | CIR-CLIP, INTERNAL    | 8               |            |               |
| 050           | 1J574-2198-2   | ブッシュ (ピストンピン)     | BUSH, PISTON PIN      | 8               |            |               |
|               |                |                   |                       |                 |            |               |
|               |                |                   |                       |                 |            |               |
|               |                |                   |                       |                 |            |               |
|               |                |                   |                       |                 |            |               |
|               |                |                   |                       |                 |            |               |
|               |                |                   |                       |                 |            |               |
|               |                |                   |                       |                 |            |               |
|               |                |                   |                       |                 |            |               |
|               |                |                   |                       |                 |            |               |
|               |                |                   |                       |                 |            |               |
|               |                |                   |                       |                 |            |               |
|               |                |                   |                       |                 |            |               |
|               |                |                   |                       |                 |            |               |
|               |                |                   |                       |                 |            |               |
|               |                |                   |                       |                 |            |               |
|               |                |                   |                       |                 |            |               |
|               |                |                   |                       |                 |            |               |
|               |                |                   |                       |                 |            |               |
|               |                |                   |                       |                 |            |               |
|               |                |                   |                       |                 |            |               |

# 597500 ダンネツザイキット [オプション] HEAT INSULATION KIT [OPTION]



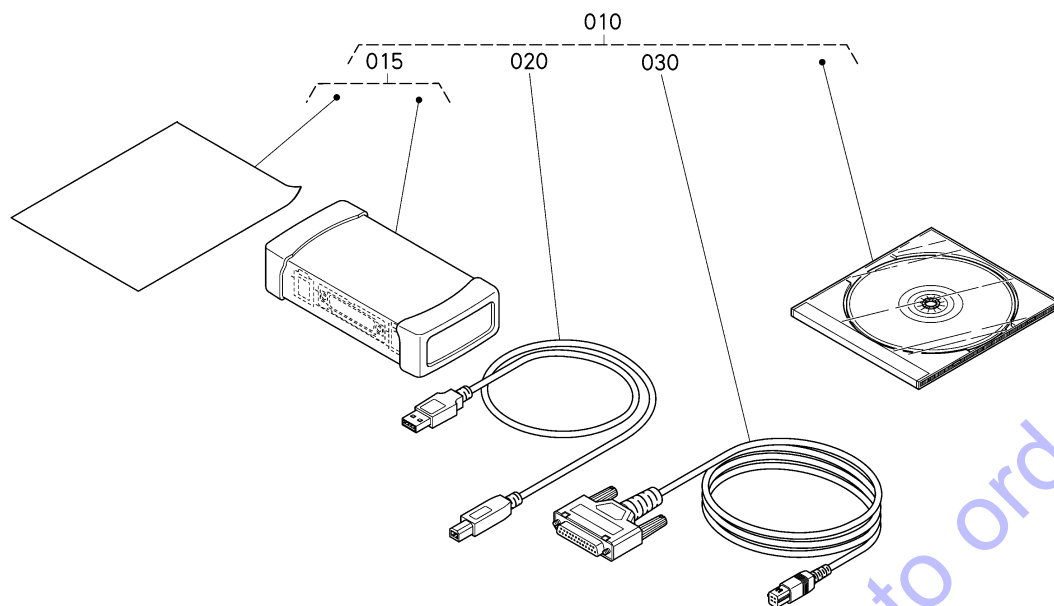
1J470-012-10

A: V3800-TIEF4B-COHE-1

| 図番<br>REF.No. | 品番<br>PART No. | 部品名称                    | PART NAME             | 数量              | 互換<br>I.C. | 備考<br>REMARKS |
|---------------|----------------|-------------------------|-----------------------|-----------------|------------|---------------|
|               |                |                         |                       | Q'TY/S.No.<br>A |            |               |
| 010           | 1E474-0574-4   | ハ ° イフ , アツシ (セハ ° レタ)  | PIPE, ASSY(SEPARATOR) | 1               |            |               |
| 020           | 1E474-7581-0   | ダンネツザイ (1, ハ ° イフ °)    | INSULATION            | 1               |            |               |
| 030           | 1E474-7583-0   | ダンネツザイ (3, ハ ° イフ °)    | INSULATION            | 1               |            |               |
| 040           | 1E474-6758-0   | コード クランプ                | CLAMP, CORD           | 8               |            |               |
| 050           | 1J509-0564-0   | ハ ° イフ , アツシ (ブ ° レザ °) | PIPE, ASSY(BREATHER)  | 1               |            |               |
| 060           | 1J509-7582-0   | ダンネツザイ (2, ハ ° イフ °)    | INSULATION            | 1               |            |               |
| 070           | 1E474-6758-0   | コード クランプ                | CLAMP, CORD           | 4               |            |               |
|               |                |                         |                       |                 |            |               |
|               |                |                         |                       |                 |            |               |
|               |                |                         |                       |                 |            |               |
|               |                |                         |                       |                 |            |               |
|               |                |                         |                       |                 |            |               |
|               |                |                         |                       |                 |            |               |
|               |                |                         |                       |                 |            |               |
|               |                |                         |                       |                 |            |               |
|               |                |                         |                       |                 |            |               |
|               |                |                         |                       |                 |            |               |
|               |                |                         |                       |                 |            |               |
|               |                |                         |                       |                 |            |               |
|               |                |                         |                       |                 |            |               |
|               |                |                         |                       |                 |            |               |
|               |                |                         |                       |                 |            |               |
|               |                |                         |                       |                 |            |               |
|               |                |                         |                       |                 |            |               |

← 新旧部品兼用可; ≠ 新旧部品兼用不可; ← 新部品は旧部品に兼用可; → 旧部品は新部品に兼用可

# 599000 診断ツールキット [オプション] Diagmaster [OPTION]



A:V3800-TIEF4B-C0HE-1

| 図番<br>REF.No. | 品番<br>PART No. | 部品名称         | PART NAME      | 数量              | 互換<br>I.C. | 備考<br>REMARKS |
|---------------|----------------|--------------|----------------|-----------------|------------|---------------|
|               |                |              |                | Q'TY/S.No.<br>A |            |               |
| 010           | ----           | 診断ツールキット     | KIT TOOL       | 1               |            |               |
| 015           | 1J423-9020-2   | インタフェース、アッシー | INTERFACE,ASSY | 1               |            |               |
| 020           | 1J423-9031-0   | ケーブル(USB)    | CABLE,UBS      | 1               |            |               |
| 030           | 1J423-9032-0   | ケーブル(VEH)    | CABLE,VEH      | 1               |            |               |
|               |                |              |                |                 |            |               |
|               |                |              |                |                 |            |               |
|               |                |              |                |                 |            |               |
|               |                |              |                |                 |            |               |
|               |                |              |                |                 |            |               |
|               |                |              |                |                 |            |               |
|               |                |              |                |                 |            |               |
|               |                |              |                |                 |            |               |
|               |                |              |                |                 |            |               |
|               |                |              |                |                 |            |               |
|               |                |              |                |                 |            |               |
|               |                |              |                |                 |            |               |
|               |                |              |                |                 |            |               |
|               |                |              |                |                 |            |               |
|               |                |              |                |                 |            |               |
|               |                |              |                |                 |            |               |
|               |                |              |                |                 |            |               |
|               |                |              |                |                 |            |               |

↔ 新旧部品兼用可; ≠ 新旧部品兼用不可; ← 新部品は旧部品に兼用可; → 旧部品は新部品に兼用可

**品番索引**  
**NUMERICAL INDEX**

| 品番<br>PART No. | 頁<br>PAGE | 図番<br>REF.No. | 品番<br>PART No. | 頁<br>PAGE | 図番<br>REF.No. | 品番<br>PART No. | 頁<br>PAGE | 図番<br>REF.No. | 品番<br>PART No. | 頁<br>PAGE | 図番<br>REF.No. |
|----------------|-----------|---------------|----------------|-----------|---------------|----------------|-----------|---------------|----------------|-----------|---------------|
| E9151-3314-0   | 1         | 250           | 01754-50865    | 22        | 120           | 05712-00515    | 10        | 120           | 17105-3368-0   | 16        | 070           |
|                | 8         | 130           |                | 34        | 090           | 05712-00520    | 11        | 060           |                | 16        | 090           |
|                | 50        | 020           | 01754-50875    | 14        | 080           | 06312-10030    | 31        | 040           | 17371-1722-0   | 39        | 030           |
| HH1C0-3243-0   | 51        | 010           | 01754-50880    | 31        | 070           | 07715-01605    | 7         | 035           | 17371-9580-0   | 49        | 020           |
| RD451-5136-0   | 18        | 010           | 01755-50612    | 37        | 180           |                | 11        | 040           | 17422-6359-0   | 52        | 010           |
| RD451-5191-0   | 18        | 020           | 01774-51002    | 22        | 080           | 09318-88085    | 35        | 080           | 17422-6361-0   | 52        | 020           |
| RD451-5192-0   | 18        | 040           | 01774-51004    | 3         | 050           | 09318-88100    | 43        | 060           | 17422-6370-0   | 52        | 030           |
| RD451-5193-0   | 18        | 050           | 01774-51016    | 44        | 180           | 09318-88115    | 43        | 070           | 19077-4328-0   | 16        | 040           |
| RD451-5194-0   | 18        | 060           | 01774-51020    | 13        | 090           |                | 47        | 060           | 1A021-0543-0   | 8         | 070           |
| RD451-5195-0   | 18        | 080           | 01774-51025    | 40        | 060           | 09318-88130    | 37        | 030           | 1A021-9104-0   | 35        | 060           |
|                |           |               |                |           |               |                |           |               |                |           |               |
| RD451-5196-0   | 18        | 100           | 01774-51025    | 40        | 070           | 09318-88130    | 37        | 150           | 1A021-9602-0   | 30        | 100           |
| RD809-6310-0   | 46        | 080           | 01774-51030    | 1         | 200           |                | 47        | 050           |                | 30        | 105           |
|                | 46        | 130           |                | 41        | 070           | 09318-88200    | 30        | 020           |                | 30        | 107           |
| 01517-51025    | 39        | 130           |                | 44        | 140           |                | 32        | 050           | 1A024-3352-0   | 49        | 080           |
| 01517-51030    | 24        | 010           |                | 44        | 160           |                | 38        | 110           | 1A024-3901-0   | 26        | 170           |
|                | 34        | 060           | 01774-51035    | 24        | 030           |                | 46        | 110           | 1C010-0345-0   | 5         | 090           |
| 01518-50622    | 34        | 050           | 01774-51050    | 41        | 080           |                | 50        | 080           | 1C010-0430-0   | 12        | 010           |
| 01754-50612    | 34        | 040           | 01774-51080    | 47        | 070           | 09318-88230    | 49        | 120           | 1C010-0445-0   | 13        | 080           |
|                | 35        | 040           | 01774-51270    | 22        | 130           | 09318-88260    | 46        | 050           | 1C010-0446-0   | 12        | 020           |
|                | 37        | 050           | 02751-50060    | 37        | 080           |                | 46        | 120           | 1C010-0456-0   | 1         | 130           |
|                |           |               |                |           |               |                |           |               |                |           |               |
| 01754-50612    | 43        | 030           | 02751-50080    | 2         | 300           | 09318-88260    | 48        | 100           | 1C010-0468-0   | 13        | 060           |
|                | 44        | 240           |                | 5         | 040           | 09661-50150    | 35        | 070           | 1C010-1315-0   | 6         | 080           |
|                | 49        | 060           |                | 14        | 180           | 14911-4275-0   | 17        | 020           | 1C010-1324-0   | 6         | 050           |
| 01754-50616    | 14        | 050           |                | 14        | 230           | 15021-1424-0   | 7         | 100           | 1C010-1348-2   | 6         | 090           |
|                | 26        | 030           |                | 19        | 100           |                | 7         | 130           | 1C010-1349-0   | 6         | 110           |
|                | 26        | 070           | 02771-50100    | 7         | 140           | 15221-0337-0   | 5         | 060           | 1C010-1443-0   | 7         | 050           |
|                | 26        | 110           |                | 22        | 090           | 15221-0338-0   | 1         | 065           | 1C010-1511-0   | 11        | 020           |
| 01754-50620    | 8         | 110           |                | 24        | 040           |                | 1         | 220           | 1C010-1627-0   | 11        | 070           |
|                | 8         | 160           |                | 40        | 080           | 15221-0339-0   | 1         | 070           | 1C010-2214-2   | 10        | 070           |
| 01754-50625    | 37        | 070           |                | 40        | 100           | 15221-0349-0   | 5         | 070           | 1C010-2330-0   | 10        | 100           |
|                |           |               |                |           |               |                |           |               |                |           |               |
| 01754-50625    | 42        | 050           | 03016-50616    | 9         | 080           | 15221-3365-0   | 1         | 110           | 1C010-2353-2   | 10        | 160           |
| 01754-50630    | 44        | 250           | 03024-50520    | 19        | 170           | 15261-0337-0   | 1         | 050           | 1C010-2354-2   | 10        | 170           |
| 01754-50804    | 31        | 080           | 03054-50412    | 54        | 260           | 15261-1398-0   | 6         | 070           | 1C010-2395-2   | 10        | 160           |
| 01754-50812    | 3         | 080           | 03054-50508    | 8         | 090           | 15401-9569-3   | 16        | 080           | 1C010-2396-2   | 10        | 160           |
|                | 46        | 060           | 03057-50508    | 11        | 180           | 15424-2516-2   | 13        | 030           | 1C010-2397-2   | 10        | 170           |
|                | 50        | 130           | 03410-50808    | 7         | 020           | 15451-9568-0   | 14        | 150           | 1C010-2398-2   | 10        | 170           |
| 01754-50816    | 9         | 150           | 04015-50080    | 22        | 040           | 15484-3707-0   | 50        | 050           | 1C010-2401-7   | 11        | 130           |
|                | 11        | 080           | 04611-00300    | 10        | 040           | 15521-9602-0   | 1         | 020           | 1C010-2402-7   | 11        | 150           |
|                | 29        | 030           |                | 10        | 045           |                | 5         | 080           | 1C010-2425-0   | 11        | 090           |
|                | 29        | 050           |                | 56        | 040           | 15601-1555-3   | 11        | 010           | 1C010-2436-0   | 11        | 100           |
|                |           |               |                |           |               |                |           |               |                |           |               |
| 01754-50816    | 29        | 090           | 04612-00160    | 7         | 060           | 15602-3311-0   | 1         | 270           | 1C010-2437-0   | 11        | 110           |
|                | 29        | 120           | 04717-01200    | 26        | 160           | 15625-3289-0   | 1         | 280           | 1C010-2452-0   | 11        | 095           |
|                | 29        | 140           | 04724-00160    | 26        | 090           | 15707-3375-0   | 3         | 020           | 1C010-2498-3   | 11        | 140           |
|                | 29        | 180           | 04814-00160    | 19        | 050           | 15841-5385-0   | 19        | 150           |                | 11        | 160           |
| 01754-50820    | 34        | 080           | 04814-00200    | 9         | 120           | 15841-5386-0   | 19        | 160           | 1C010-3308-0   | 1         | 240           |
|                | 37        | 110           | 04814-00220    | 3         | 070           | 15841-9602-0   | 1         | 025           |                | 8         | 120           |
|                | 37        | 130           |                | 3         | 100           | 16241-0555-0   | 8         | 060           |                | 50        | 010           |
|                | 47        | 030           | 04814-00240    | 9         | 130           |                | 30        | 070           | 1C010-3364-3   | 1         | 120           |
| 01754-50825    | 14        | 070           | 04814-05120    | 19        | 060           | 16261-1333-0   | 6         | 060           | 1C010-3365-3   | 1         | 210           |
|                | 22        | 060           | 04816-05150    | 32        | 040           | 16261-1356-0   | 6         | 010           | 1C010-3507-0   | 9         | 060           |
|                |           |               |                |           |               |                |           |               |                |           |               |
| 01754-50825    | 30        | 050           | 04817-00060    | 18        | 030           | 16265-9667-0   | 3         | 030           | 1C010-3513-0   | 9         | 070           |
|                | 30        | 110           | 04817-00070    | 18        | 090           |                | 9         | 040           | 1C010-3642-2   | 4         | 010           |
|                | 48        | 060           | 04817-00160    | 18        | 070           | 16286-3375-0   | 9         | 100           | 1C010-3692-2   | 9         | 030           |
|                | 48        | 080           | 04817-50300    | 1         | 260           | 16424-9101-0   | 33        | 030           | 1C010-3695-0   | 9         | 020           |
| 01754-50830    | 12        | 030           |                | 8         | 140           | 16541-4321-0   | 16        | 020           | 1C010-3696-0   | 9         | 050           |
|                | 21        | 020           |                | 50        | 030           | 16541-4333-0   | 16        | 060           | 1C010-3711-4   | 1         | 160           |
|                | 31        | 090           | 05012-00614    | 14        | 040           | 16541-9579-0   | 16        | 030           |                | 30        | 075           |
| 01754-50840    | 31        | 100           | 05012-00820    | 1         | 090           |                | 16        | 100           |                | 54        | 230           |
| 01754-50845    | 30        | 120           | 05012-01016    | 1         | 100           | 16631-4356-0   | 16        | 050           | 1C010-5166-3   | 14        | 100           |
| 01754-50855    | 11        | 120           | 05411-00528    | 7         | 040           | 16683-9602-0   | 1         | 040           | 1C010-6302-3   | 25        | 130           |





## 品番索引 NUMERICAL INDEX

| 品番<br>PART No. | 頁<br>PAGE | 図番<br>REF.No. | 品番<br>PART No. | 頁<br>PAGE | 図番<br>REF.No. | 品番<br>PART No. | 頁<br>PAGE | 図番<br>REF.No. | 品番<br>PART No. | 頁<br>PAGE | 図番<br>REF.No. |
|----------------|-----------|---------------|----------------|-----------|---------------|----------------|-----------|---------------|----------------|-----------|---------------|
| 1J508-5115-0   | 14        | 170           | 1J542-9163-2   | 5         | 030           | 1K012-6320-2   | 25        | 230           |                |           |               |
| 1J508-5117-0   | 14        | 010           |                | 36        | 050           | 1K012-6321-0   | 25        | 050           |                |           |               |
| 1J508-5118-0   | 14        | 030           | 1J542-9250-0   | 36        | 060           | 1K012-6328-0   | 25        | 110           |                |           |               |
| 1J508-5132-0   | 14        | 120           |                | 38        | 030           | 1K012-6332-0   | 25        | 240           |                |           |               |
| 1J508-5307-0   | 19        | 040           |                | 39        | 060           | 1K012-6337-0   | 25        | 220           |                |           |               |
| 1J508-5371-0   | 19        | 110           | 1J550-0338-0   | 1         | 060           | 1K012-6338-0   | 25        | 200           |                |           |               |
| 1J508-5372-0   | 19        | 120           | 1J550-1235-0   | 36        | 040           | 1K012-6339-0   | 25        | 210           |                |           |               |
| 1J508-5373-0   | 19        | 130           | 1J550-1710-0   | 39        | 040           | 1K012-6376-2   | 25        | 140           |                |           |               |
| 1J508-5374-0   | 19        | 140           | 1J550-2131-0   | 10        | 030           | 1K021-6442-0   | 22        | 020           |                |           |               |
| 1J508-5375-0   | 21        | 030           |                | 56        | 030           | 1K021-6446-0   | 22        | 030           |                |           |               |
| 1J508-6270-0   | 37        | 010           | 1J550-3211-0   | 3         | 060           | 1K861-7147-0   | 32        | 010           |                |           |               |
| 1J508-6506-0   | 28        | 010           | 1J550-3367-0   | 49        | 050           | 1K861-7428-0   | 22        | 140           |                |           |               |
| 1J508-6507-0   | 28        | 020           | 1J550-7135-2   | 1         | 150           | 1K861-9701-0   | 22        | 160           |                |           |               |
| 1J508-6508-0   | 28        | 030           | 1J550-7376-2   | 31        | 060           | 1K947-4317-2   | 15        | 020           |                |           |               |
| 1J508-6509-0   | 44        | 190           | 1J550-9673-0   | 19        | 030           | 1K988-0461-2   | 13        | 050           |                |           |               |
| 1J508-6517-0   | 29        | 080           | 1J552-7270-2   | 30        | 060           | 1K988-2501-0   | 13        | 010           |                |           |               |
| 1J508-6520-2   | 29        | 170           | 1J552-7382-0   | 31        | 050           | 33430-8276-0   | 49        | 070           |                |           |               |
| 1J508-6521-0   | 29        | 190           | 1J553-3324-0   | 49        | 110           | 36340-4356-3   | 3         | 090           |                |           |               |
| 1J508-6522-0   | 29        | 010           | 1J574-0302-6   | 5         | 050           | 3F261-7812-0   | 23        | 060           |                |           |               |
| 1J508-6523-0   | 29        | 020           |                | 6         | 005           | 3F261-7813-0   | 23        | 070           |                |           |               |
| 1J508-6524-0   | 29        | 040           | 1J574-0341-0   | 5         | 085           | 3N300-7521-3   | 54        | 210           |                |           |               |
| 1J508-6533-0   | 29        | 150           | 1J574-1371-0   | 37        | 040           | 3T400-5203-2   | 20        | 010           |                |           |               |
| 1J508-6537-0   | 29        | 110           | 1J574-1435-3   | 7         | 030           | 3T999-0159-0   | 20        | 040           |                |           |               |
| 1J508-6538-0   | 29        | 130           | 1J574-1601-5   | 11        | 030           | 3T999-0160-0   | 20        | 050           |                |           |               |
| 1J508-6539-0   | 44        | 110           | 1J574-1651-2   | 11        | 050           | 5H601-4194-0   | 26        | 150           |                |           |               |
|                | 44        | 200           | 1J574-1691-3   | 11        | 170           | 6C040-8269-0   | 25        | 150           |                |           |               |
| 1J508-7141-0   | 38        | 040           | 1J574-2198-2   | 10        | 060           |                |           |               |                |           |               |
| 1J508-7143-0   | 38        | 080           |                | 56        | 050           |                |           |               |                |           |               |
| 1J508-7145-0   | 38        | 100           | 1J574-2201-6   | 10        | 050           |                |           |               |                |           |               |
| 1J508-7146-0   | 32        | 030           | 1J574-4250-0   | 19        | 010           |                |           |               |                |           |               |
| 1J508-8915-5   | 55        | 010           | 1J574-5213-0   | 14        | 160           |                |           |               |                |           |               |
| 1J508-9292-0   | 14        | 140           | 1J574-5315-0   | 19        | 080           |                |           |               |                |           |               |
| 1J508-9578-0   | 21        | 070           | 1J574-5428-0   | 35        | 020           |                |           |               |                |           |               |
| 1J508-9760-0   | 44        | 280           | 1J574-5968-0   | 26        | 080           |                |           |               |                |           |               |
| 1J508-9762-3   | 44        | 290           | 1J574-5971-0   | 26        | 010           |                |           |               |                |           |               |
| 1J508-9763-0   | 45        | 300           |                | 26        | 040           |                |           |               |                |           |               |
| 1J508-9764-0   | 44        | 270           | 1J574-6534-0   | 27        | 020           |                |           |               |                |           |               |
| 1J509-0175-0   | 5         | 015           | 1J574-6583-0   | 8         | 100           |                |           |               |                |           |               |
| 1J509-0503-2   | 48        | 010           | 1J574-9666-0   | 14        | 130           |                |           |               |                |           |               |
| 1J509-0564-0   | 57        | 050           | 1J574-9675-0   | 26        | 020           |                |           |               |                |           |               |
| 1J509-0582-0   | 48        | 070           | 1J574-9675-0   | 26        | 050           |                |           |               |                |           |               |
| 1J509-1177-4   | 34        | 010           | 1J583-1701-4   | 39        | 010           |                |           |               |                |           |               |
| 1J509-1938-0   | 44        | 100           | 1J583-1724-0   | 38        | 005           |                |           |               |                |           |               |
| 1J509-6539-0   | 44        | 120           | 1J583-1727-0   | 38        | 070           |                |           |               |                |           |               |
| 1J509-7582-0   | 57        | 060           | 1J583-3304-0   | 49        | 010           |                |           |               |                |           |               |
| 1J510-9665-0   | 21        | 080           | 1J770-1851-0   | 42        | 020           |                |           |               |                |           |               |
| 1J520-1070-0   | 54        | 240           | 1J803-1741-0   | 37        | 060           |                |           |               |                |           |               |
| 1J520-1223-0   | 54        | 190           | 1J803-1743-0   | 37        | 100           |                |           |               |                |           |               |
| 1J520-1842-0   | 41        | 090           |                | 38        | 050           |                |           |               |                |           |               |
| 1J520-1860-0   | 42        | 040           | 1J860-9579-0   | 21        | 050           |                |           |               |                |           |               |
| 1J520-9154-0   | 40        | 090           | 1J860-9579-0   | 49        | 090           |                |           |               |                |           |               |
| 1J530-9150-0   | 39        | 050           |                | 49        | 150           |                |           |               |                |           |               |
| 1J530-9151-0   | 39        | 110           | 1K011-9203-0   | 23        | 120           |                |           |               |                |           |               |
| 1J530-9152-0   | 39        | 100           | 1K012-6301-3   | 24        | 020           |                |           |               |                |           |               |
| 1J530-9153-0   | 39        | 070           |                | 25        | 010           |                |           |               |                |           |               |
| 1J540-1231-5   | 36        | 010           | 1K012-6303-0   | 25        | 020           |                |           |               |                |           |               |
| 1J540-1232-0   | 39        | 080           | 1K012-6304-0   | 25        | 040           |                |           |               |                |           |               |
| 1J540-4212-0   | 35        | 085           | 1K012-6305-0   | 25        | 100           |                |           |               |                |           |               |
| 1J542-7303-3   | 31        | 010           | 1K012-6307-2   | 25        | 170           |                |           |               |                |           |               |
| 1J542-9163-2   | 2         | 290           | 1K012-6308-3   | 25        | 190           |                |           |               |                |           |               |

2019年 1月 25日 初版

2020年 11月 18日 改訂

発行 **北越工業株式会社**

新潟本社・工場  
新潟県燕市下粟生津3074

(無断複写・転載を禁ず)

HOKUETSU INDUSTRIES CO., LTD.



[www.discount-equipment.com](http://www.discount-equipment.com)

Copyright (C) 2019 HOKUETSU INDUSTRIES CO., LTD. All Rights Reserved.

2011-05  
CAT. NO. 39520 80000

Go to [Discount-Equipment.com](http://Discount-Equipment.com) to order your parts

**AIRMAN**  
HOKUETSU INDUSTRIES CO., LTD.

# PARTS FINDER

**Search Website  
by Part Number**



**Search Manual  
Library For Parts  
Manual & Lookup Part  
Numbers – Purchase  
or Request Quote**

**Search Manuals**

Enter your information to help us find the right parts manual for your machine.

\* Brand:

\* Model:

\* Serial:

\* Part Number:

SEARCH

**Can't Find Part or  
Manual? Request Help  
by Manufacturer,  
Model & Description**

**Parts Order Form**

Please fill in the following information to help us find the right part for your machine.

|               |                      |
|---------------|----------------------|
| Manufacturer: | <input type="text"/> |
| Model:        | <input type="text"/> |
| Description:  | <input type="text"/> |
| Part Number:  | <input type="text"/> |
| Quantity:     | <input type="text"/> |
| Notes:        | <input type="text"/> |

Submit

Discount-Equipment.com is your online resource for quality parts & equipment.

Florida: **561-964-4949** Outside Florida TOLL FREE: **877-690-3101**

**Need parts?**

Click on this link: <http://www.discount-equipment.com/category/5443-parts/> and choose one of the options to help get the right parts and equipment you are looking for. Please have the machine model and serial number available in order to help us get you the correct parts. If you don't find the part on the website or on one of the online manuals, please fill out the request form and one of our experienced staff members will get back to you with a quote for the right part that your machine needs.

We sell worldwide for the brands: Genie, Terex, JLG, MultiQuip, Mikasa, Essick, Whiteman, Mayco, Toro Stone, Diamond Products, Generac Magnum, Airman, Haulotte, Barreto, Power Blanket, Nifty Lift, Atlas Copco, Chicago Pneumatic, Allmand, Miller Curber, Skyjack, Lull, Skytrak, Tsurumi, Husquvarna Target, Stow, Wacker, Sakai, Mi-T-M, Sullair, Basic, Dynapac, MBW, Weber, Bartell, Bennar Newman, Haulotte, Ditch Runner, Menegotti, Morrison, Contec, Buddy, Crown, Edco, Wyco, Bomag, Laymor, EZ Trench, Bil-Jax, F.S. Curtis, Gehl Pavers, Heli, Honda, ICS/PowerGrit, IHI, Partner, Imer, Clipper, MMD, Koshin, Rice, CH&E, General Equipment, Amida, Coleman, NAC, Gradall, Square Shooter, Kent, Stanley, Tamco, Toku, Hatz, Kohler, Robin, Wisconsin, Northrock, Oztec, Toker TK, Rol-Air, APT, Wylie, Ingersoll Rand / Doosan, Innovatech, Con X, Ammann, Mecalac, Makinex, Smith Surface Prep, Small Line, Wanco, Yanmar