

PG400

Reservdelar

Spare parts

Ersatzteile

Pieces de rechange

Piezas de repuesto

Ricambi

Peças sobresselente



522 55 71-01

PARTS FINDER

**Search Website
by Part Number**



**Search Manual
Library For Parts
Manual & Lookup Part
Numbers – Purchase
or Request Quote**

Search Manuals

Enter your information to search for a manual or to purchase a manual or parts.

* Brand:

* Model:

* Serial:

* Part Number:

SEARCH

**Can't Find Part or
Manual? Request Help
by Manufacturer,
Model & Description**

Parts Order Form

Please fill in the following information to request help finding a part or manual.

Manufacturer:

Model:

Description:

Quantity:

Part Number:

Part Name:

Part Description:

Part Category:

Part Location:

Part Status:

Part Condition:

Part Material:

Part Color:

Part Weight:

Part Dimensions:

Part Price:

Part Availability:

Part Lead Time:

Part Notes:

Submit

Discount-Equipment.com is your online resource for quality parts & equipment.

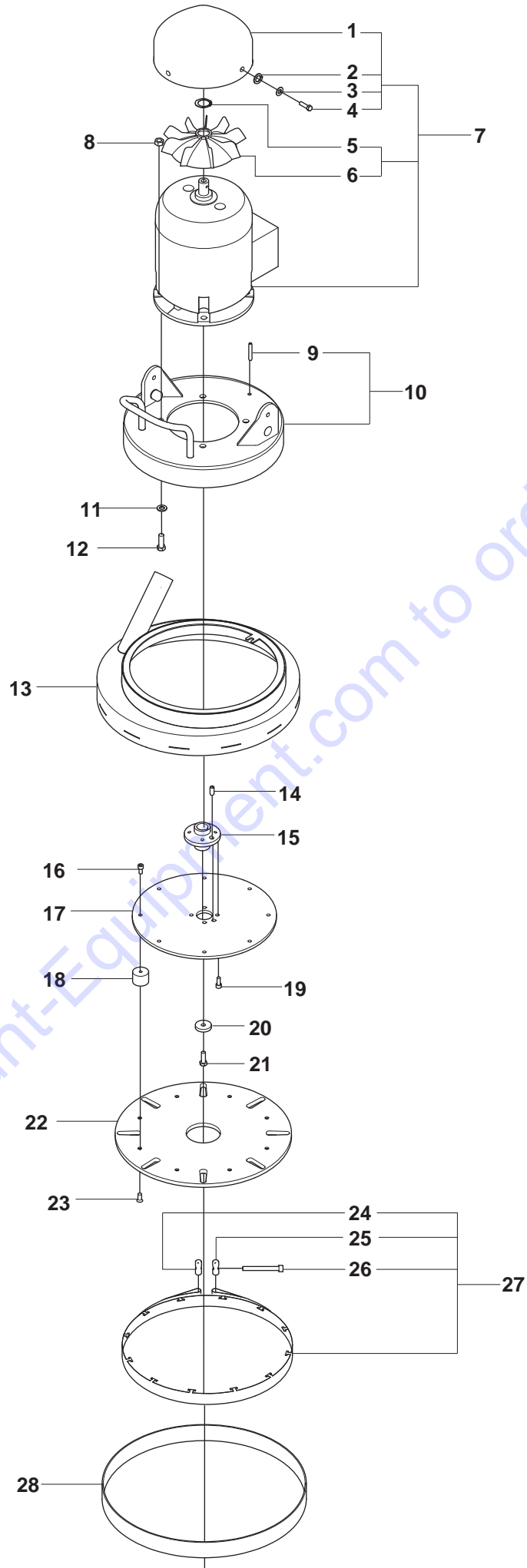
Florida: **561-964-4949** Outside Florida TOLL FREE: **877-690-3101**

Need parts?

Click on this link: <http://www.discount-equipment.com/category/5443-parts/> and choose one of the options to help get the right parts and equipment you are looking for. Please have the machine model and serial number available in order to help us get you the correct parts. If you don't find the part on the website or on one of the online manuals, please fill out the request form and one of our experienced staff members will get back to you with a quote for the right part that your machine needs.

We sell worldwide for the brands: Genie, Terex, JLG, MultiQuip, Mikasa, Essick, Whiteman, Mayco, Toro Stone, Diamond Products, Generac Magnum, Airman, Haulotte, Barreto, Power Blanket, Nifty Lift, Atlas Copco, Chicago Pneumatic, Allmand, Miller Curber, Skyjack, Lull, Skytrak, Tsurumi, Husquvarna Target, Stow, Wacker, Sakai, Mi-T-M, Sullair, Basic, Dynapac, MBW, Weber, Bartell, Bennar Newman, Haulotte, Ditch Runner, Menegotti, Morrison, Contec, Buddy, Crown, Edco, Wyco, Bomag, Laymor, EZ Trench, Bil-Jax, F.S. Curtis, Gehl Pavers, Heli, Honda, ICS/PowerGrit, IHI, Partner, Imer, Clipper, MMD, Koshin, Rice, CH&E, General Equipment, Amida, Coleman, NAC, Gradall, Square Shooter, Kent, Stanley, Tamco, Toku, Hatz, Kohler, Robin, Wisconsin, Northrock, Oztec, Toker TK, Rol-Air, APT, Wylie, Ingersoll Rand / Doosan, Innovatech, Con X, Ammann, Mecalac, Makinex, Smith Surface Prep, Small Line, Wanco, Yanmar

A

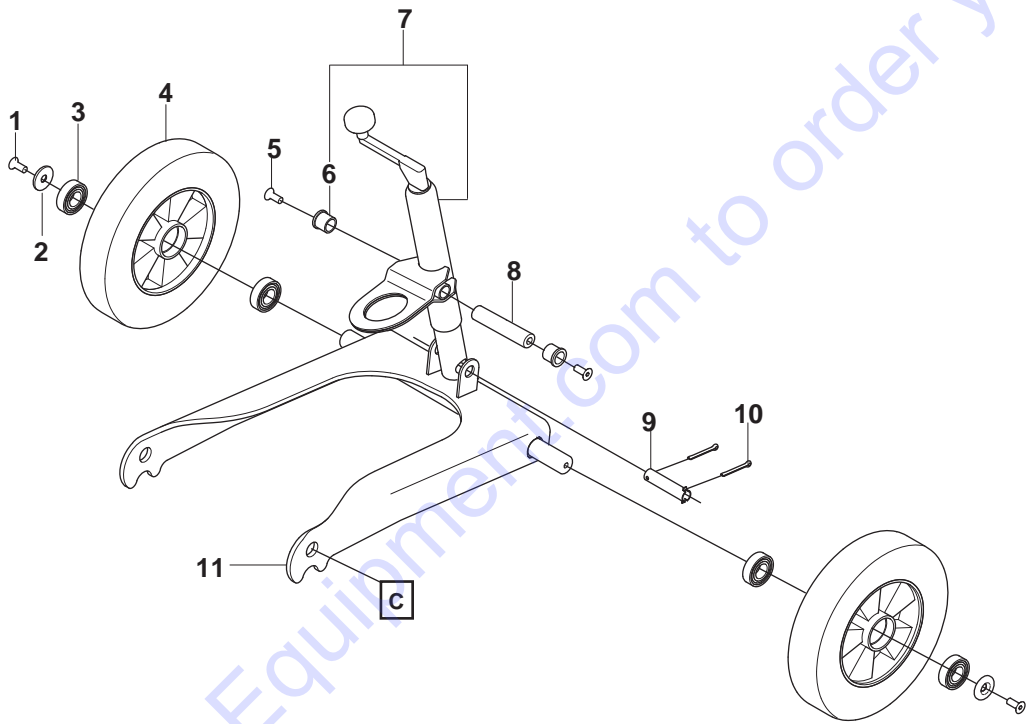


Go to Discount-Equipment.com to order your parts

Pos.	Compl No.	Part No.	Quantity	Notes
1	7	522 48 66-01	1	
2	7	522 46 40-01	4	
3	7	522 46 42-01	4	
4	7	725 23 25-77	4	
5	7	725 31 28-01	1	
6	7	522 48 69-01	1	
7		510 23 22-01	1	
8		731 23 22-01	4	
9	10	721 43 85-01	1	
10		510 23 23-01	1	
11		734 11 80-41	4	
12		725 25 38-71	4	
13		510 23 30-01	1	
14		721 44 09-01	1	
15		510 21 33-01	1	
16		725 54 49-55	8	
17		510 23 43-01	1	
18		510 21 31-01	8	
19		725 54 51-55	4	
20		510 23 51-01	1	
21		725 24 95-71	1	
22		510 22 14-01	1	
23		725 64 49-55	8	
24	27	510 21 27-01	1	
25	27	510 21 28-01	1	
26	27	725 55 09-55	1	
27		510 23 39-01	1	
28		510 23 29-01	1	

Go to Discount-Ed.com to order your parts

B



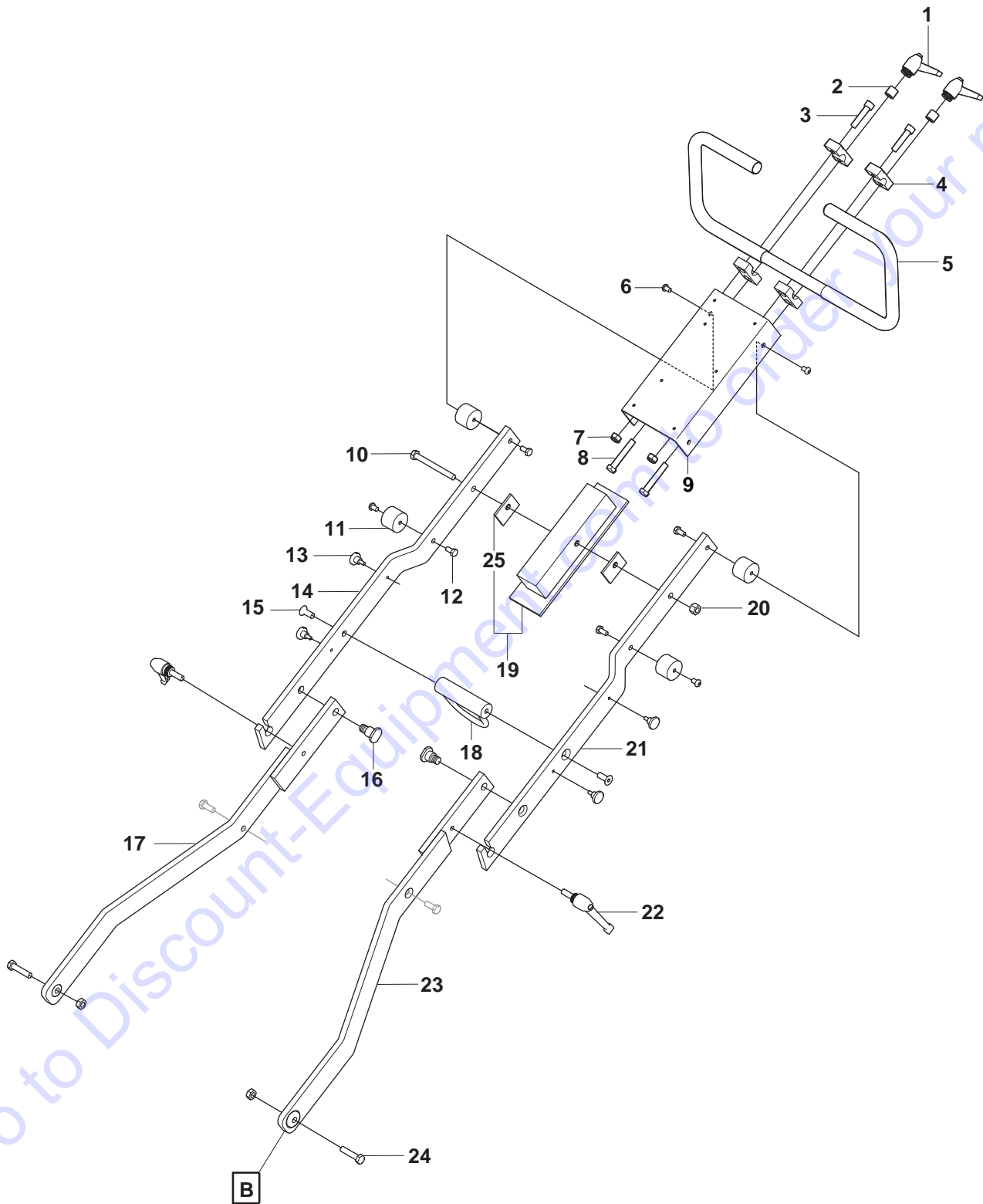
Go to Discount-Equipment.com to order your parts

Page B
PG400

Pos.	Compl No.	Part No.	Quantity	Notes
1		725 64 93-55	2	
2		510 23 64-01	2	
3		522 52 77-01	4	
4		510 23 63-01	2	
5		725 64 91-55	2	
6	7	510 23 88-01	2	
7		510 23 83-01	1	
8		510 23 90-01	1	
9		510 23 71-01	1	
10		721 62 18-01	2	
11		510 23 53-01	1	

Go to Discount-Equipment.com to order your parts

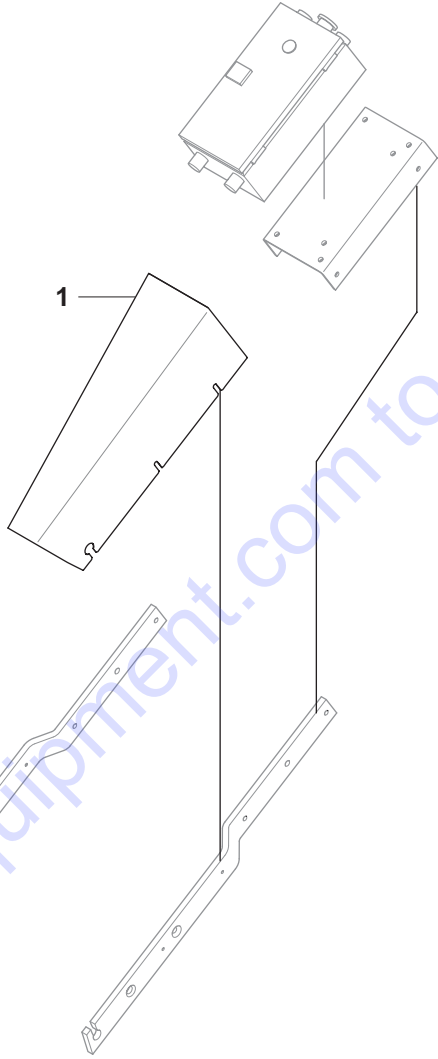
C



Pos.	Compl No.	Part No.	Quantity	Notes
1		510 24 48-01	2	
2		510 22 96-01	2	
3		725 55 00-55	2	
4		510 22 93-01	4	
5		510 22 94-01	1	
6		510 36 15-01	4	
7		510 36 17-01	2	
8		725 25 04-51	2	
9		510 22 88-01	1	
10		725 25 11-71	1	
11		510 22 78-01	4	
12		725 24 49-71	4	
13		510 36 16-01	4	
14		510 23 92-01	1	
15		725 64 93-55	2	
16		510 24 09-01	2	
17		510 23 76-01	1	
18		732 25 20-01	3	
19		510 23 97-01	1	
20		510 23 94-01	1	
21		510 23 93-01	1	
22		510 24 44-01	2	
23		510 23 81-01	1	
24		725 24 99-71	2	
25	19	522 48 72-02	2	

Go to Discount-Equipment.com to order your parts

D



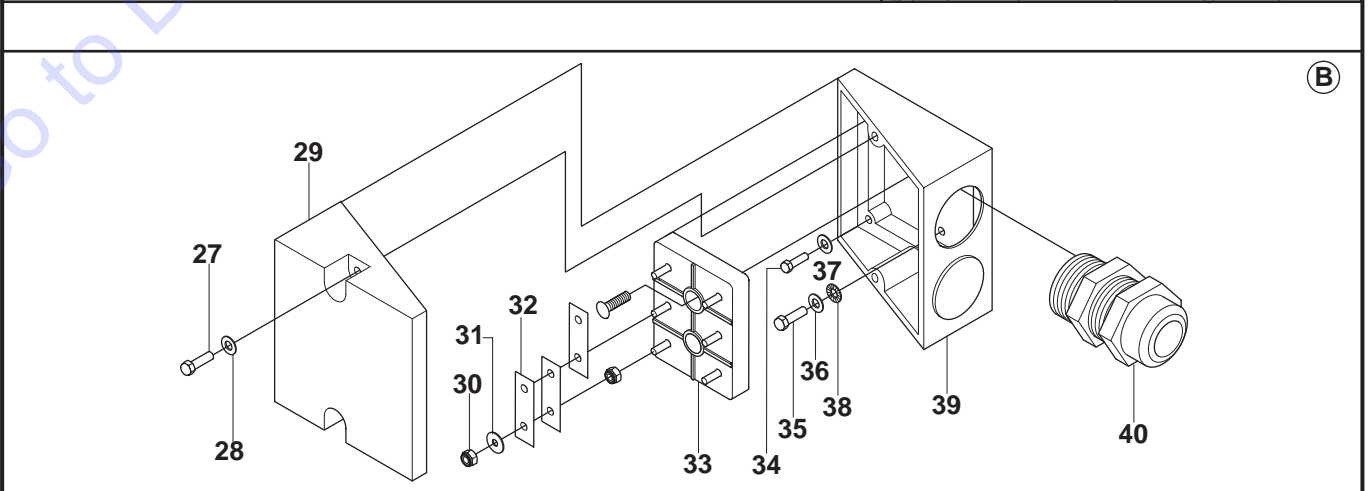
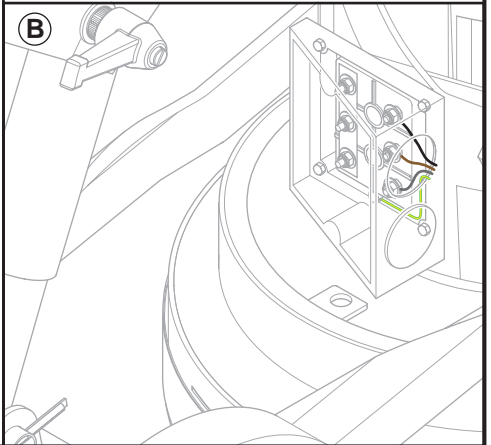
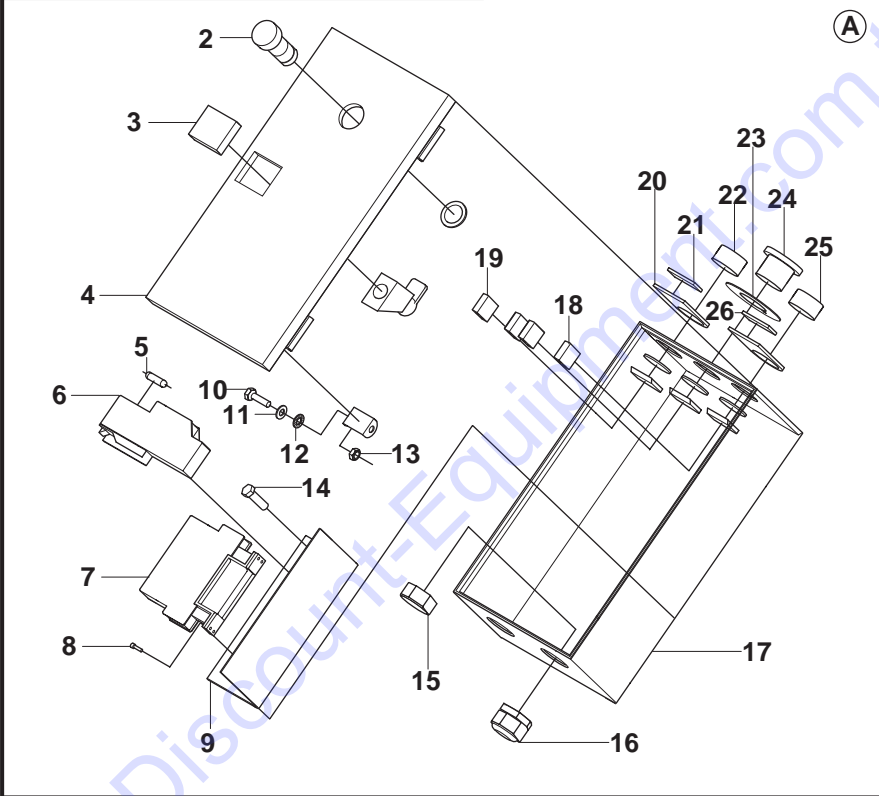
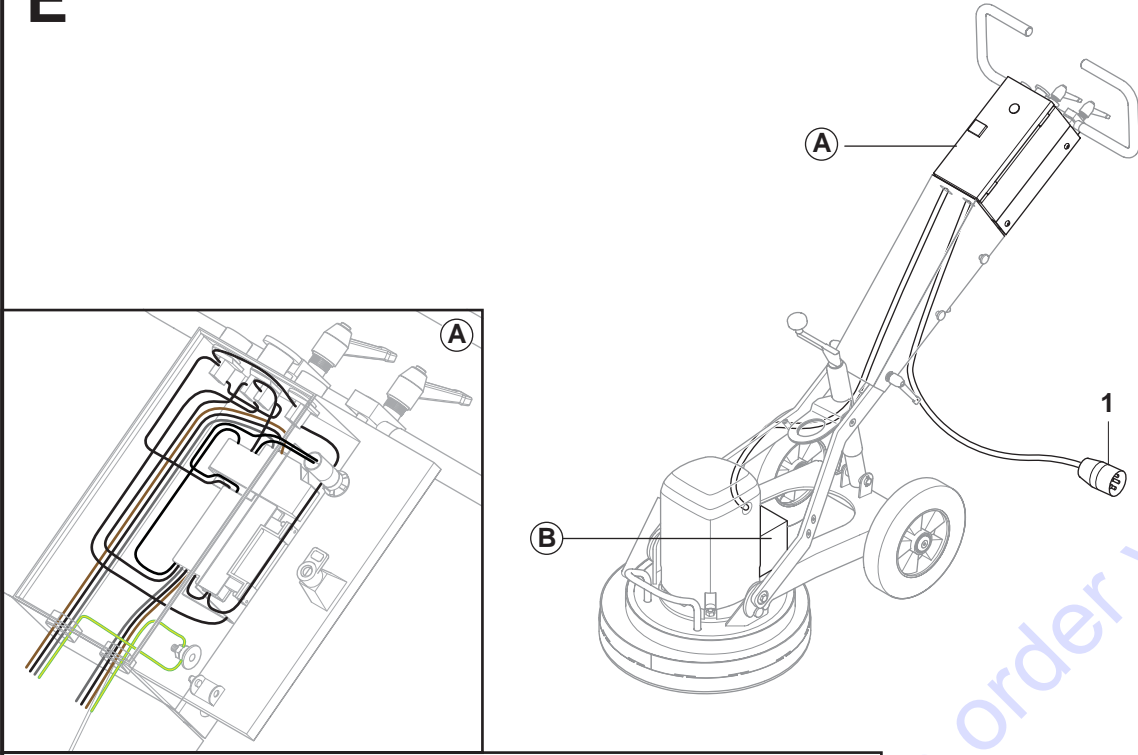
Go to DiscountEquipment.com to order your parts

Page D
PG400

Pos.	Compl No.	Part No.	Quantity	Notes
1		510 22 81-01	1	

Go to Discount-Equipment.com to order your parts

E



Pos.	Compl No.	Part No.	Quantity	Notes
1		510 43 38-01	1	
2		510 43 48-01	1	
3		516 06 21-01	1	
4		516 06 22-01	1	
5		516 06 23-01	1	
6		510 43 43-01	1	
7		510 43 08-01	1	
8		723 12 89-51	4	
9		516 06 24-01	1	
10		725 23 68-71	1	
11		734 11 52-01	2	
12		735 21 53-01	2	
13		731 23 16-01	2	
14		724 13 64-51	2	
15		510 43 18-01	2	
16		510 43 17-01	2	
17		510 43 07-01	1	
18		510 43 15-01	1	
19		510 43 14-01	3	
20		510 43 30-01	2	
21		510 43 31-01	1	
22		510 43 11-01	1	
23		510 43 16-01	1	
24		510 43 13-01	1	
25		510 43 12-01	1	
26		510 43 32-01	1	
27		725 23 37-71	2	
28		516 06 29-01	2	
29		516 06 30-01	1	
30		731 23 14-01	12	
31		734 11 46-01	6	
32		516 06 31-01	3	
33		516 06 33-01	1	
34		725 23 29-71	4	
35		725 23 66-71	1	
36		734 11 52-01	1	
37		516 06 29-01	4	
38		735 21 53-01	1	
39		521 88 48-01	1	
40		521 88 50-01	1	

Go to Discount-Equipment.com to order your parts

PARTS FINDER

**Search Website
by Part Number**



**Search Manual
Library For Parts
Manual & Lookup Part
Numbers – Purchase
or Request Quote**

Search Manuals

Enter your information to help us find the right parts manual for your machine.

* Brand:

* Model:

* Serial:

* Part Number:

SEARCH

**Can't Find Part or
Manual? Request Help
by Manufacturer,
Model & Description**

Parts Order Form

Please fill in the following information to help us find the right part for your machine.

Manufacturer:	<input type="text"/>
Model:	<input type="text"/>
Description:	<input type="text"/>
Part Number:	<input type="text"/>
Quantity:	<input type="text"/>
Notes:	<input type="text"/>

Submit

Discount-Equipment.com is your online resource for quality parts & equipment.

Florida: **561-964-4949** Outside Florida TOLL FREE: **877-690-3101**

Need parts?

Click on this link: <http://www.discount-equipment.com/category/5443-parts/> and choose one of the options to help get the right parts and equipment you are looking for. Please have the machine model and serial number available in order to help us get you the correct parts. If you don't find the part on the website or on one of the online manuals, please fill out the request form and one of our experienced staff members will get back to you with a quote for the right part that your machine needs.

We sell worldwide for the brands: Genie, Terex, JLG, MultiQuip, Mikasa, Essick, Whiteman, Mayco, Toro Stone, Diamond Products, Generac Magnum, Airman, Haulotte, Barreto, Power Blanket, Nifty Lift, Atlas Copco, Chicago Pneumatic, Allmand, Miller Curber, Skyjack, Lull, Skytrak, Tsurumi, Husquvarna Target, Stow, Wacker, Sakai, Mi-T-M, Sullair, Basic, Dynapac, MBW, Weber, Bartell, Bennar Newman, Haulotte, Ditch Runner, Menegotti, Morrison, Contec, Buddy, Crown, Edco, Wyco, Bomag, Laymor, EZ Trench, Bil-Jax, F.S. Curtis, Gehl Pavers, Heli, Honda, ICS/PowerGrit, IHI, Partner, Imer, Clipper, MMD, Koshin, Rice, CH&E, General Equipment, Amida, Coleman, NAC, Gradall, Square Shooter, Kent, Stanley, Tamco, Toku, Hatz, Kohler, Robin, Wisconsin, Northrock, Oztec, Toker TK, Rol-Air, APT, Wylie, Ingersoll Rand / Doosan, Innovatech, Con X, Ammann, Mecalac, Makinex, Smith Surface Prep, Small Line, Wanco, Yanmar