



SPARE PARTS LIST

EXTERNAL VIBRATORS

ER105, ER205, ER305, ER405, ER605,
ER705, 2022-01

Go to Discount-Equipment.com to order your parts



PARTS FINDER

**Search Website
by Part Number**



**Search Manual
Library For Parts
Manual & Lookup Part
Numbers – Purchase
or Request Quote**

Search Manuals

Enter your information to help us find the right parts manual for your machine.

* Brand:

* Model:

* Serial:

* Part Number:

SEARCH

**Can't Find Part or
Manual? Request Help
by Manufacturer,
Model & Description**

Parts Order Form

Please fill in the following information to help us find the right part for your machine.

Manufacturer:	<input type="text"/>
Model:	<input type="text"/>
Description:	<input type="text"/>
Part Number:	<input type="text"/>
Quantity:	<input type="text"/>
Notes:	<input type="text"/>

Submit

Discount-Equipment.com is your online resource for quality parts & equipment.

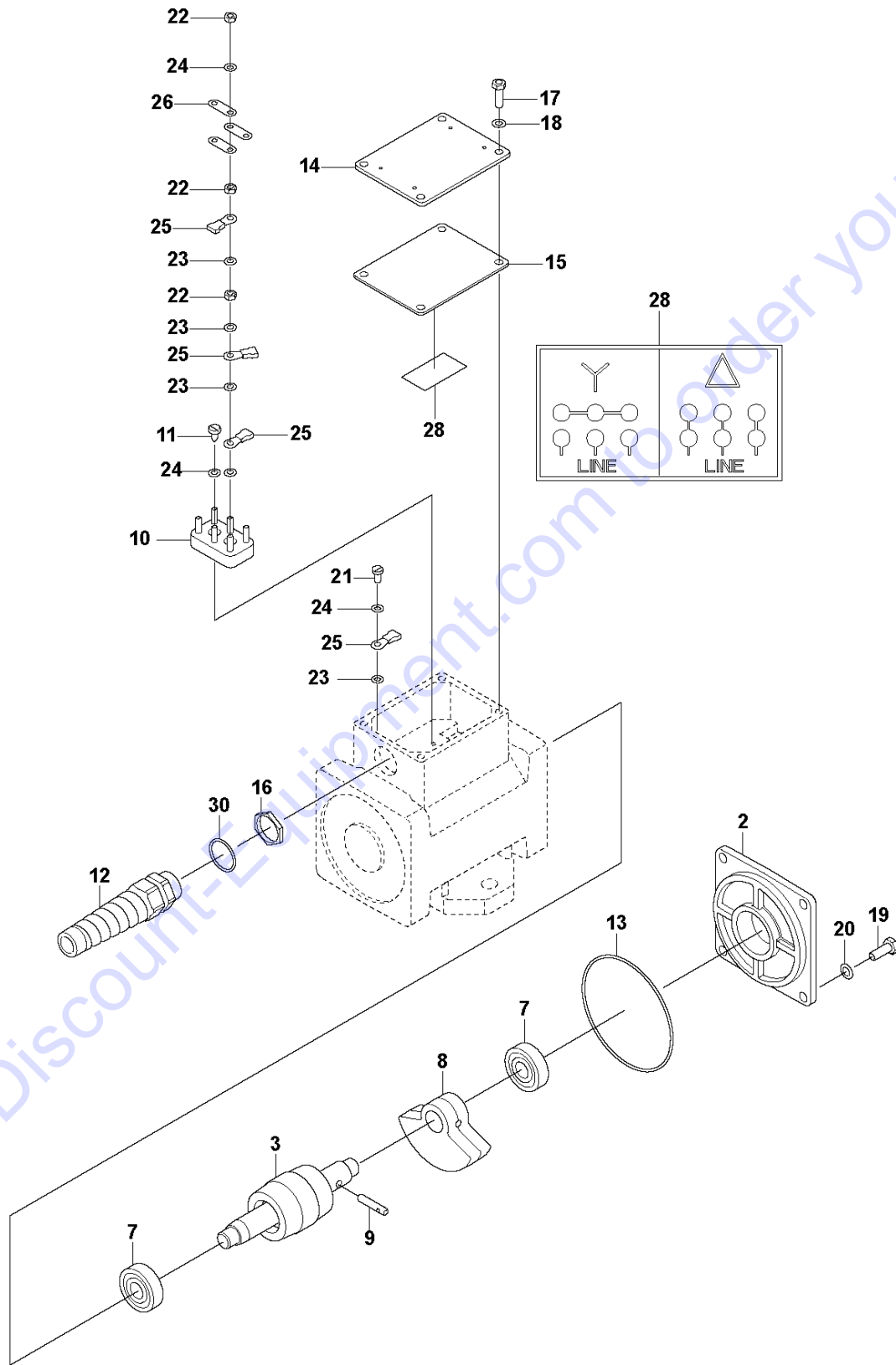
Florida: **561-964-4949** Outside Florida TOLL FREE: **877-690-3101**

Need parts?

Click on this link: <http://www.discount-equipment.com/category/5443-parts/> and choose one of the options to help get the right parts and equipment you are looking for. Please have the machine model and serial number available in order to help us get you the correct parts. If you don't find the part on the website or on one of the online manuals, please fill out the request form and one of our experienced staff members will get back to you with a quote for the right part that your machine needs.

We sell worldwide for the brands: Genie, Terex, JLG, MultiQuip, Mikasa, Essick, Whiteman, Mayco, Toro Stone, Diamond Products, Generac Magnum, Airman, Haulotte, Barreto, Power Blanket, Nifty Lift, Atlas Copco, Chicago Pneumatic, Allmand, Miller Curber, Skyjack, Lull, Skytrak, Tsurumi, Husquvarna Target, Stow, Wacker, Sakai, Mi-T-M, Sullair, Basic, Dynapac, MBW, Weber, Bartell, Bennar Newman, Haulotte, Ditch Runner, Menegotti, Morrison, Contec, Buddy, Crown, Edco, Wyco, Bomag, Laymor, EZ Trench, Bil-Jax, F.S. Curtis, Gehl Pavers, Heli, Honda, ICS/PowerGrit, IHI, Partner, Imer, Clipper, MMD, Koshin, Rice, CH&E, General Equipment, Amida, Coleman, NAC, Gradall, Square Shooter, Kent, Stanley, Tamco, Toku, Hatz, Kohler, Robin, Wisconsin, Northrock, Oztec, Toker TK, Rol-Air, APT, Wylie, Ingersoll Rand / Doosan, Innovatech, Con X, Ammann, Mecalac, Makinex, Smith Surface Prep, Small Line, Wanco, Yanmar

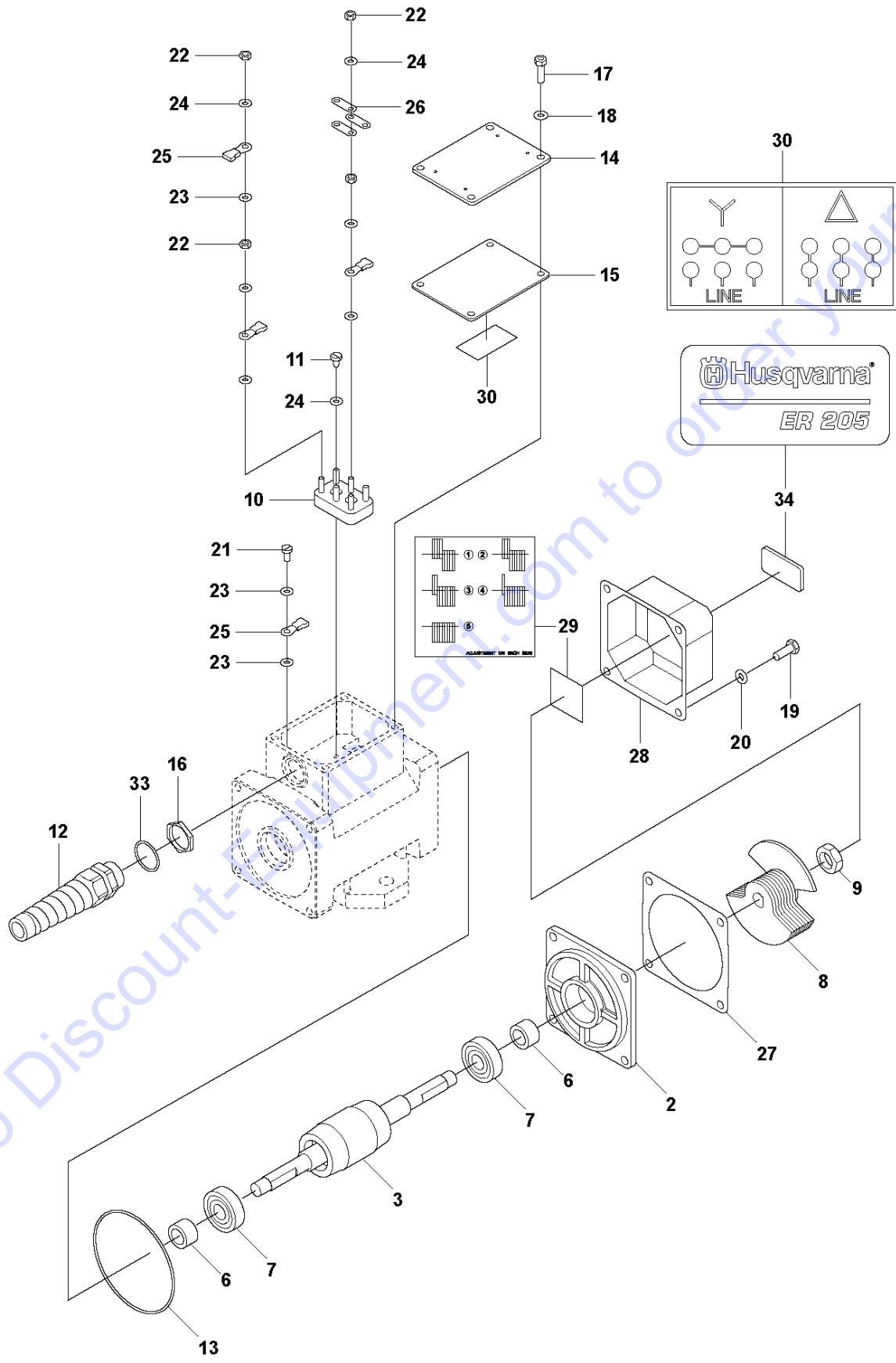
A ER105
PRODUCT COMPLETE



Ref	Part No	Description	Remark	QTY KIT
2	595 14 97-01	BRACKET		1
3	595 15 17-01	ROTOR		1
7	595 14 17-01	BALL BEARING	6201-ZZ	2
8	595 15 00-01	EXCENTER		1
9	595 18 29-01	PIN	8x40	1
10	594 25 55-01	CONNECTING BOX		1
11	594 83 30-01	SCREW	4.2x16 DIN 7971	2
12	594 79 22-01	NUT	BS 13.5	1
13	595 14 54-01	O-RING	75.92x1.78 NBR 70 Shore	1
14	595 15 02-01	COVER		1
15	595 15 03-01	SEAL		1
16	595 44 72-01	NUT	SM 13.5	1
17	595 05 36-01	SCREW	M5x16 ISO 4014 8.8 A2K	4
18	594 27 35-01	SPRING WASHER	M5 DIN 6798A	4
19	595 03 32-01	SCREW	M6x16 ISO 4017 8.8 A2K	4
20	595 14 94-01	WASHER	M6 DIN 6798A	4
21	594 28 61-01	SCREW	M4x8 ISO 1207 BRASS	1
22	594 79 11-01	NUT	M4 ISO 4032 BRASS	12
23	595 18 25-01	WASHER	M4 ISO 7092 BRASS	16
24	595 18 23-01	WASHER	M4 DIN 6798A	9
25	594 85 36-01	UNIT		10
26	595 44 66-01	STRIP		3
28	595 45 45-01	CONNECTOR		1
30	594 26 76-01	O-RING	14.1x1.6 NBR 70 Shore	1

Go to Discount-Equipment.com to order your parts

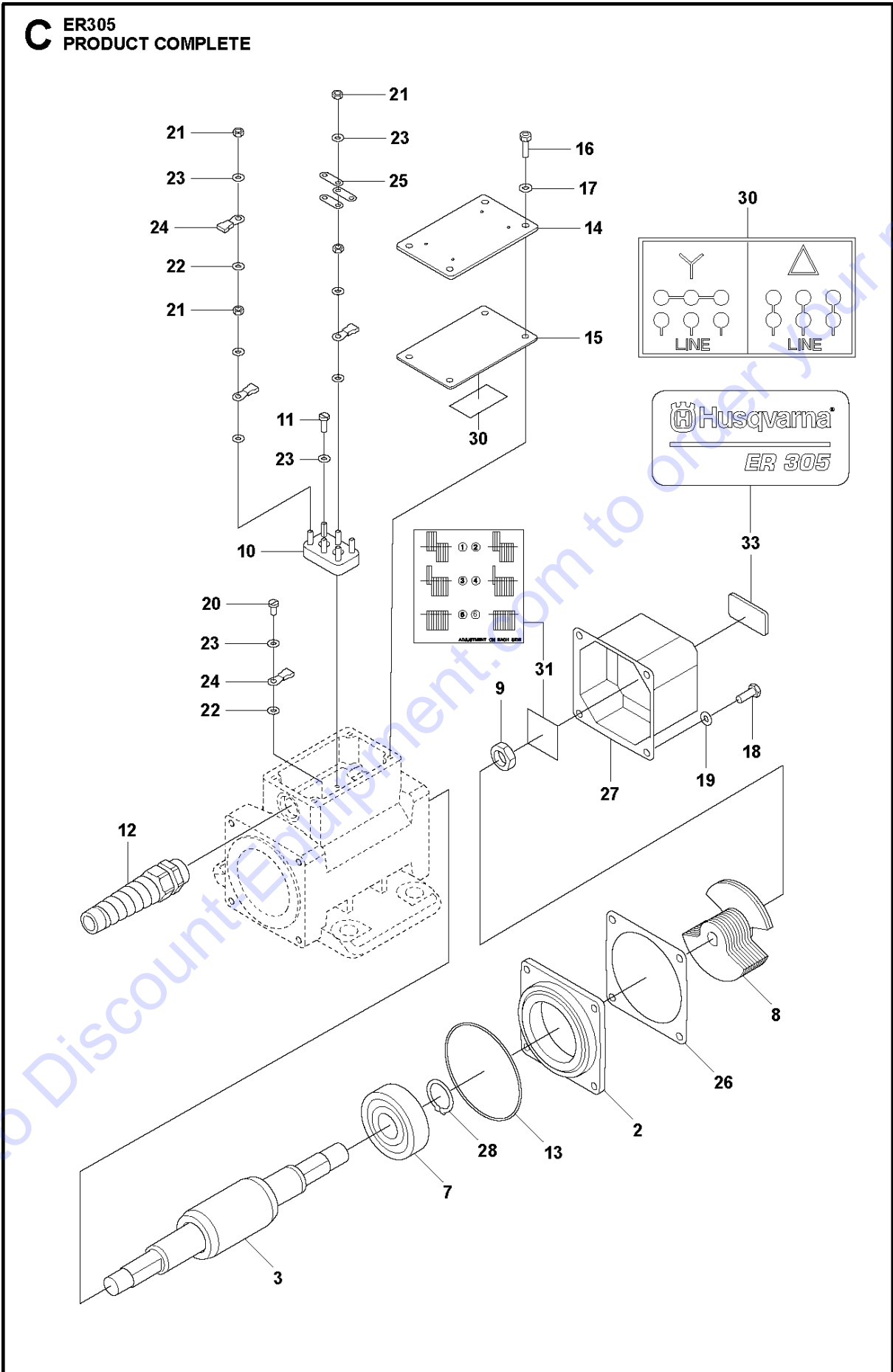
B ER205
PRODUCT COMPLETE



Ref	Part No	Description	Remark	QTY KIT
2	595 14 98-01	BRACKET		1
3	595 15 18-01	ROTOR		1
6	529479201	TBD		2
7	595 14 17-01	BALL BEARING	6201-ZZ	2
8	595 15 01-01	EXCENTER		18
9	595 15 20-01	NUT		2
10	594 25 55-01	CONNECTING BOX		1
11	594 83 30-01	SCREW	4.2x16 DIN 7971	2
12	594 79 22-01	NUT	BS 13.5	1
13	595 14 54-01	O-RING	75.92x1.78 NBR 70 Shore	1
14	595 15 02-01	COVER		1
15	595 15 03-01	SEAL		1
16	595 44 72-01	NUT	SM 13.5	1
17	595 05 36-01	SCREW	M5x16 ISO 4014 8.8 A2K	4
18	594 27 35-01	SPRING WASHER	M5 DIN 6798A	4
19	595 03 32-01	SCREW	M6x16 ISO 4017 8.8 A2K	8
20	595 14 94-01	WASHER	M6 DIN 6798A	8
21	594 28 61-01	SCREW	M4x8 ISO 1207 BRASS	1
22	594 79 11-01	NUT	M4 ISO 4032 BRASS	12
23	595 18 25-01	WASHER	M4 ISO 7092 BRASS	16
24	595 18 23-01	WASHER	M4 DIN 6798A	9
25	594 85 36-01	UNIT		10
26	595 44 66-01	STRIP		3
27	595 15 04-01	SEAL		2
28	595 14 99-01	COVER		2
29	595 44 82-01	DECAL		2
30	595 45 45-01	CONNECTOR		1
33	594 26 76-01	O-RING	14.1x1.6 NBR 70 Shore	1
34	599829101	TBD		2

Go to Discount-Equipment.com to order your parts

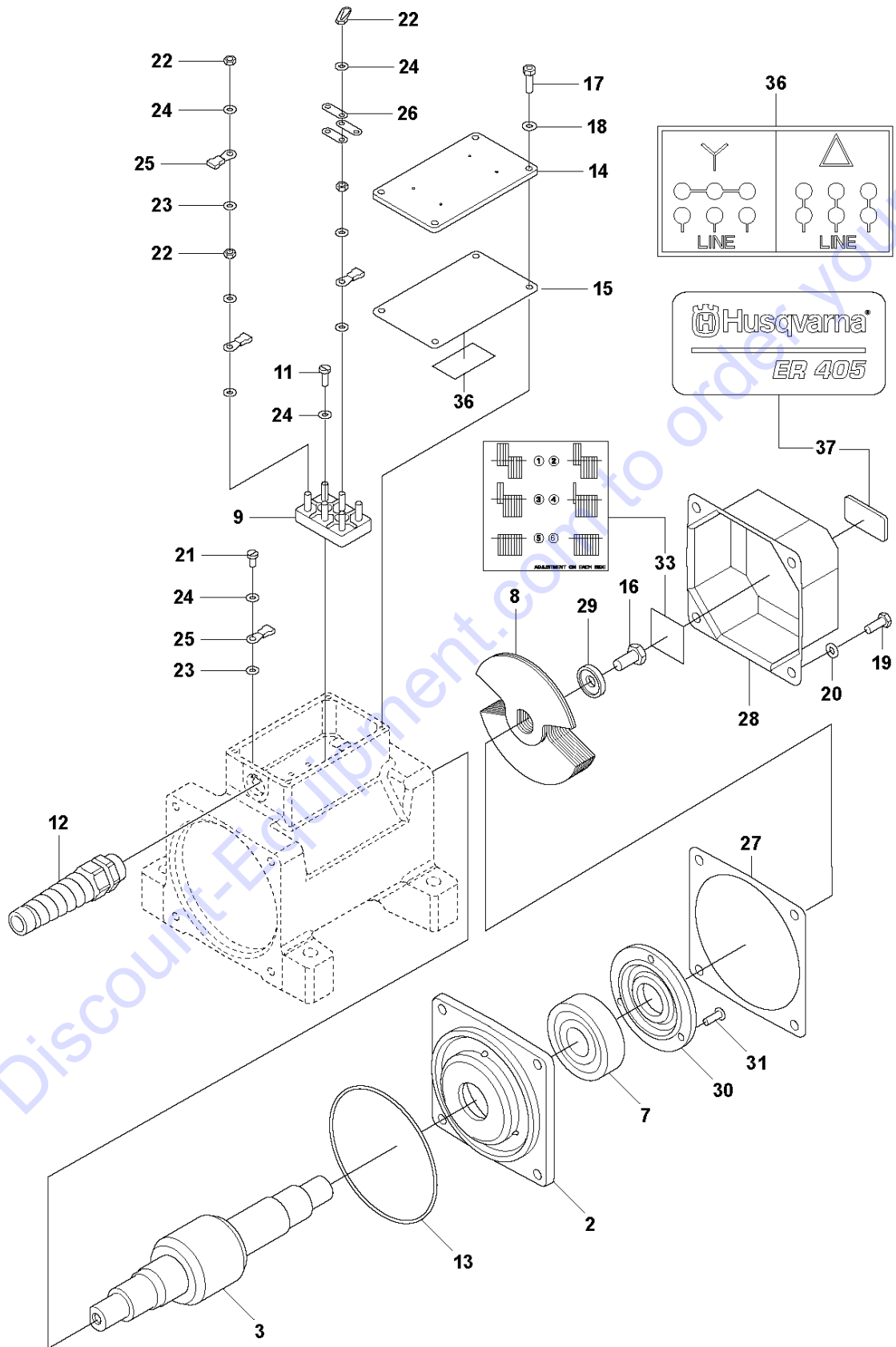
C ER305
PRODUCT COMPLETE



Ref	Part No	Description	Remark	QTY KIT
2	595 15 07-01	FLANGE		1
3	594 28 36-01	ROTOR		1
7	594 27 18-01	BALL BEARING	6305-ZZ/C3	2
8	595 15 08-01	EXCENTER		22
9	594 79 21-01	NUT	M16x1.5 ISO 4035 FZB	2
10	594 25 55-01	CONNECTING BOX		1
11	595 18 03-01	SCREW	M4x12 ISO 1207 4.8 ZnB	2
12	594 79 22-01	NUT	BS 13.5	1
13	595 14 55-01	O-RING	82.3x1.78 NBR 70 Shore	1
14	595 14 63-01	COVER		1
15	595 44 48-01	SEALING		1
16	595 05 36-01	SCREW	M5x16 ISO 4014 8.8 A2K	4
17	594 27 35-01	SPRING WASHER	M5 DIN 6798A	4
18	595 03 32-01	SCREW	M6x16 ISO 4017 8.8 A2K	8
19	595 11 35-01	WASHER	M6 ISO 10670 FZB	8
20	595 05 90-01	SCREW	M4x8 ISO 1207 4.8	1
21	594 79 11-01	NUT	M4 ISO 4032 BRASS	12
22	595 18 25-01	WASHER	M4 ISO 7092 BRASS	16
23	595 18 23-01	WASHER	M4 DIN 6798A	9
24	594 85 36-01	UNIT		10
25	595 44 66-01	STRIP		3
26	594 28 19-01	SEAL		2
27	594 28 18-01	COVER		2
28	594 12 47-01	RETAINER RING	D25 DIN 471	2
30	595 45 45-01	CONNECTOR		1
31	594 28 47-01	DECAL		2
33	599 36 34-02	DECAL		2

Go to Discount-Equipment.com to order your parts

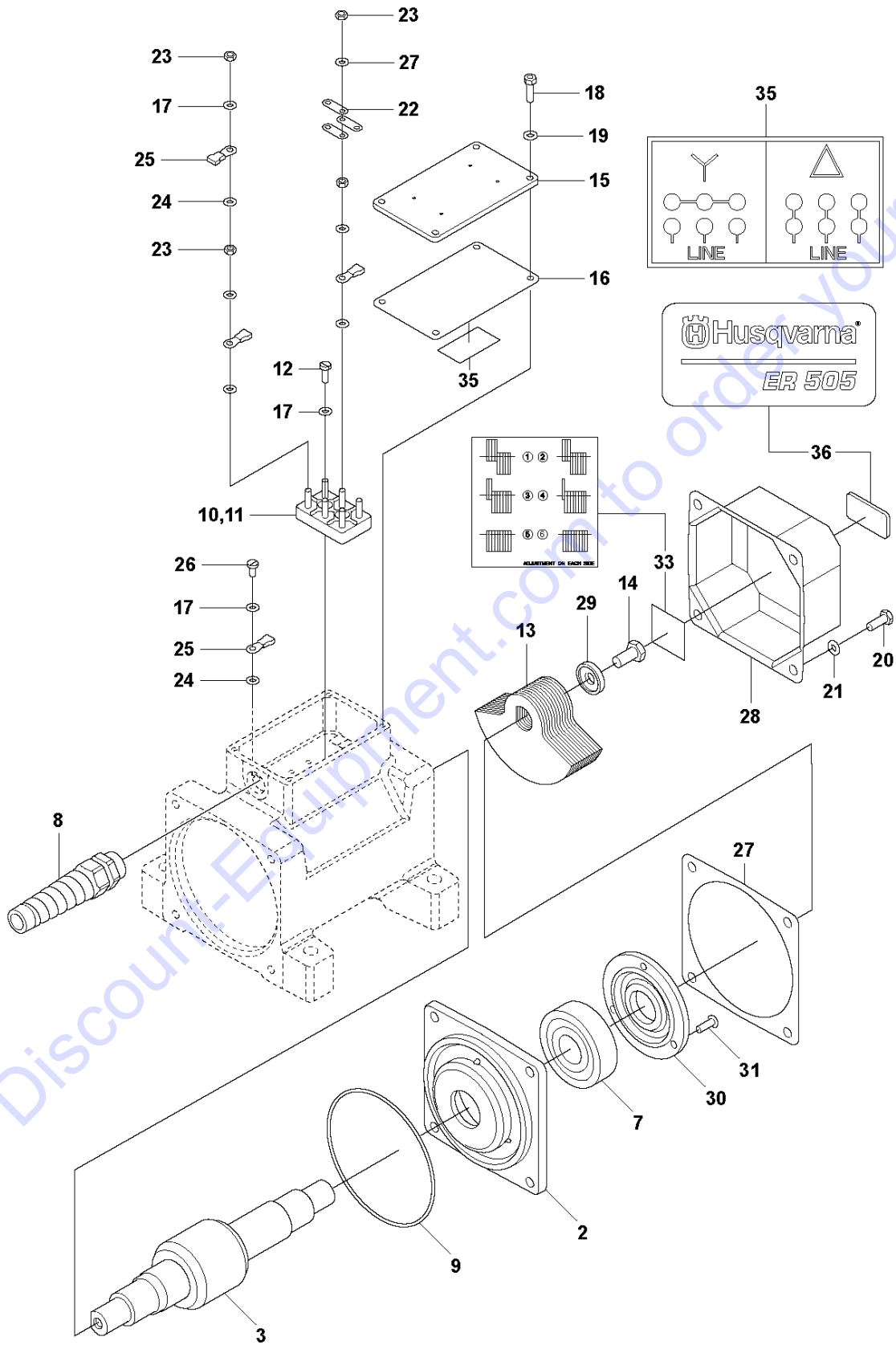
D ER405
PRODUCT COMPLETE



Ref	Part No	Description	Remark	QTY KIT
37	599 36 34-05	DECAL		2
2	595 15 09-01	FLANGE		2
3	595 44 75-01	ROTOR		1
7	595 14 22-01	BALL BEARING	6306/C3	2
8	595 15 11-01	EXCENTER		22
9	594 28 38-01	BLOCK		1
11	595 18 04-01	SCREW	M5x12 ISO 1207 4.8 ZnB	2
12	594 28 39-01	PISTON	BS 16	1
13	595 04 75-01	O-RING	120.32x2.62 NBR 70 Shore	2
14	594 28 21-01	COVER		1
15	594 28 22-01	SEAL		1
16	594 11 84-01	SCREW	M10x20 ISO 4017 8.8 A3K	2
17	595 05 36-01	SCREW	M5x16 ISO 4014 8.8 A2K	4
18	594 27 35-01	SPRING WASHER	M5 DIN 6798A	4
19	595 34 43-01	SCREW	M8x30 ISO 4017 8.8 A2K	8
20	595 11 36-01	WASHER	M8 ISO 10670	8
21	595 44 97-01	SCREW	M5x8 ISO 1207 4.8	1
22	595 44 63-01	NUT	M5 ISO 4032 BRASS	12
23	595 18 24-01	WASHER	M5 ISO 7090 BRASS	16
24	594 83 32-01	WASHER	M5 DIN 6798A	9
25	595 44 55-01	SPADE		10
26	594 79 05-01	STRIP		3
27	595 15 10-01	SEALING		2
28	594 28 20-01	COVER		2
29	595 44 74-01	WASHER		2
30	595 18 98-01	COVER		2
31	595 18 06-01	SCREW	M6x16 ISO 2009 4.8	6
33	594 28 47-01	DECAL		2
36	595 45 45-01	CONNECTOR		1

Go to Discount-Equipment.com to order your parts

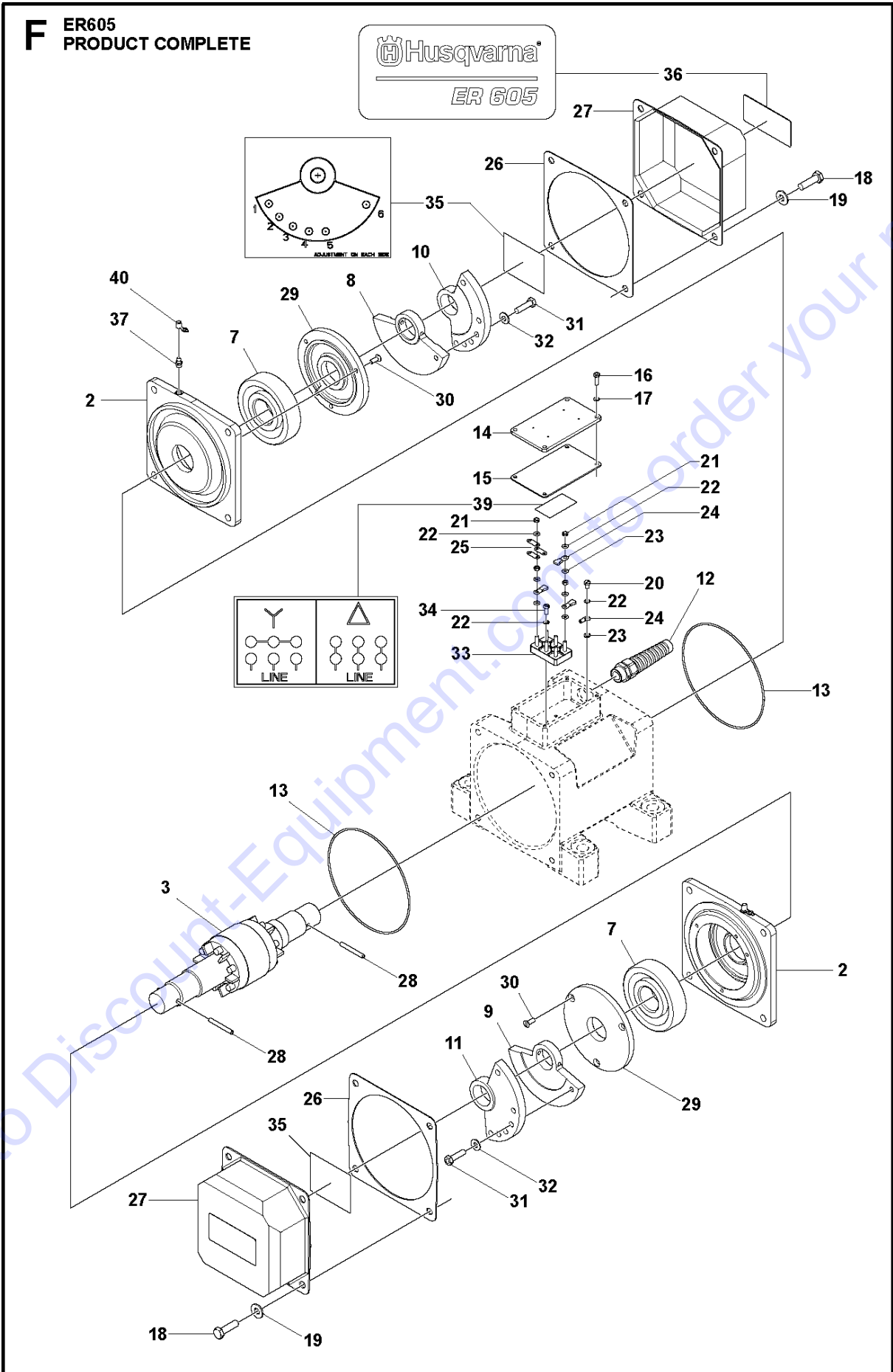
E ER505
PRODUCT COMPLETE



Ref	Part No	Description	Remark	QTY KIT
2	595 15 09-01	FLANGE		2
3	595 44 73-01	ROTOR		1
7	595 14 22-01	BALL BEARING	6306/C3	2
8	594 28 39-01	PISTON	BS 16	1
9	595 04 75-01	O-RING	120.32x2.62 NBR 70 Shore	2
10	594 28 38-01	BLOCK	6 poles, for ER 505 230/400 V 50 Hz and ER 505 600 V 60Hz	1
11	595 44 64-01	BOX	9 poles, for ER 505 230/460 V 60Hz	1
12	595 18 04-01	SCREW	M5x12 ISO 1207 4.8 ZnB	2
13	595 15 12-01	EXCENTER		22
14	594 11 84-01	SCREW	M10x20 ISO 4017 8.8 A3K	2
15	594 28 21-01	COVER		1
16	594 28 22-01	SEAL		1
17	594 83 32-01	WASHER	M5 DIN 6798A	9
18	595 05 36-01	SCREW	M5x16 ISO 4014 8.8 A2K	4
19	594 27 35-01	SPRING WASHER	M5 DIN 6798A	4
20	595 34 43-01	SCREW	M8x30 ISO 4017 8.8 A2K	8
21	595 11 36-01	WASHER	M8 ISO 10670	8
22	594 79 05-01	STRIP		3
23	595 44 63-01	NUT	M5 ISO 4032 BRASS	12
24	595 18 24-01	WASHER	M5 ISO 7090 BRASS	16
25	595 44 55-01	SPADE		10
26	595 44 97-01	SCREW	M5x8 ISO 1207 4.8	1
27	595 15 10-01	SEALING		2
28	594 28 20-01	COVER		2
29	595 44 74-01	WASHER		2
30	595 18 98-01	COVER		2
31	595 18 06-01	SCREW	M6x16 ISO 2009 4.8	6
33	594 28 47-01	DECAL		2
35	595 45 45-01	CONNECTOR		1
36	599 36 34-07	DECAL		2

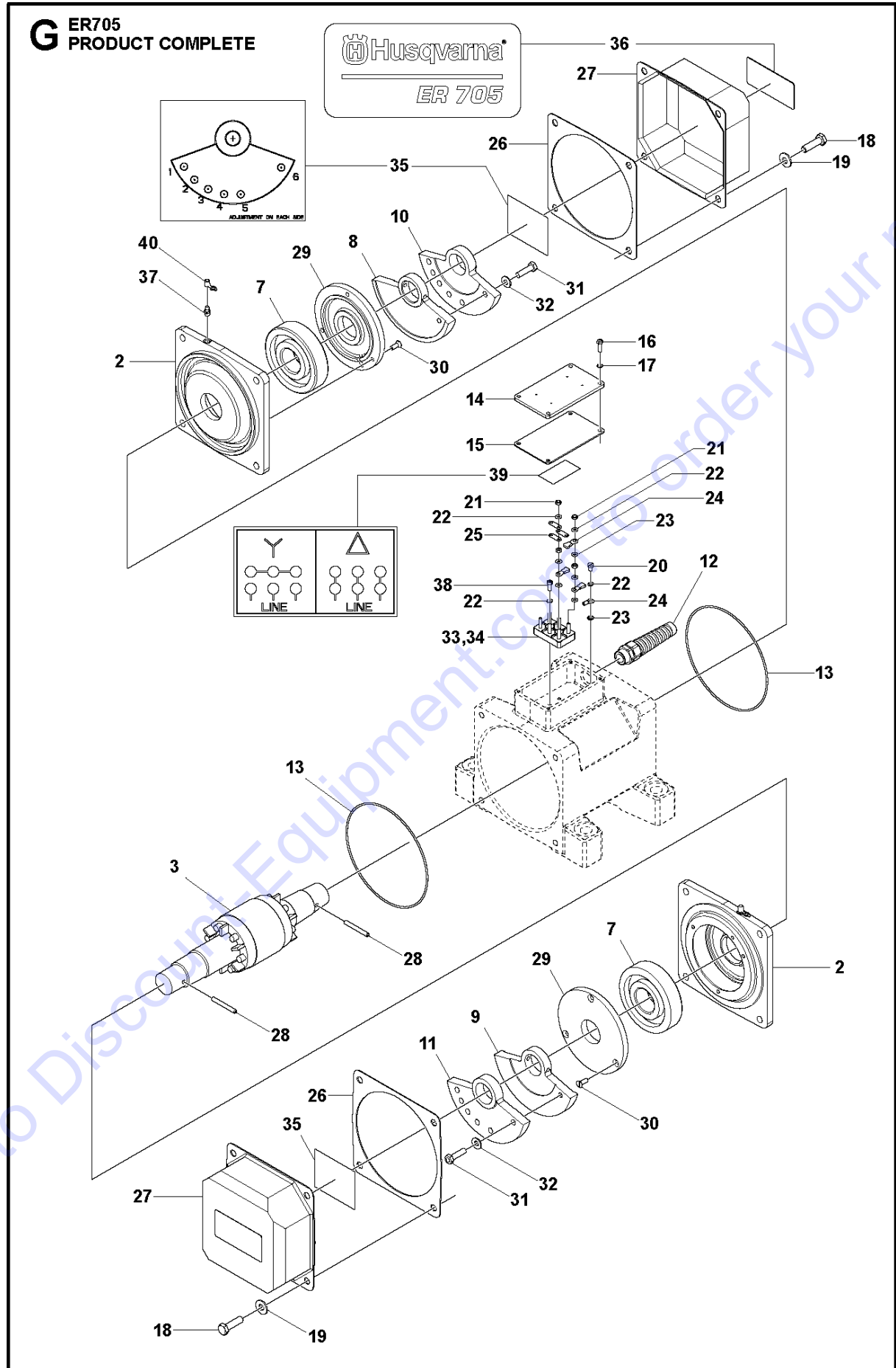
Go to Discount-Equipment.com to order your parts

F ER605
PRODUCT COMPLETE



Ref	Part No	Description	Remark	QTY KIT
2	594 28 32-01	FLANGE		2
3	595 15 30-01	ROTOR		1
7	594 25 97-01	BEARING		2
8	595 52 14-01	EXCENTER		1
9	595 52 12-01	EXCENTER		1
10	595 52 13-01	EXCENTER		1
11	595 44 79-01	EXCENTER		1
12	594 28 39-01	PISTON	BS 16	1
13	595 44 83-01	O-RING	158.42x2.62 NBR 70 Shore	2
14	594 28 21-01	COVER		1
15	594 28 22-01	SEAL		1
16	595 05 36-01	SCREW	M5x16 ISO 4014 8.8 A2K	4
17	594 27 35-01	SPRING WASHER	M5 DIN 6798A	4
18	594 11 86-01	SCREW	M10x30 ISO 4014 8.8 A2K	8
19	595 18 26-01	WASHER	M10 DIN 6796	8
20	595 44 97-01	SCREW	M5x8 ISO 1207 4.8	1
21	595 44 63-01	NUT	M5 ISO 4032 BRASS	12
22	594 83 32-01	WASHER	M5 DIN 6798A	9
23	595 18 24-01	WASHER	M5 ISO 7090 BRASS	16
24	595 44 55-01	SPADE		10
25	594 79 05-01	STRIP		3
26	594 28 45-01	SEALING		2
27	594 28 35-01	COVER		2
28	594 50 19-01	PIN		2
29	594 55 29-01	DEFLECTOR		2
30	595 18 06-01	SCREW	M6x16 ISO 2009 4.8	6
31	595 34 43-01	SCREW	M8x30 ISO 4017 8.8 A2K	2
32	595 11 36-01	WASHER	M8 ISO 10670	2
33	594 28 38-01	BLOCK		1
34	595 18 05-01	SCREW	M5x16 ISO 1207 4.8 ZnB	2
35	594 79 24-01	DECAL		2
36	599 36 34-09	DECAL		2
37	594 12 68-01	LUBRICATION NIPPLE		2
39	595 45 45-01	CONNECTOR		1
40	595 17 91-01	PLUG		2

Go to Discount-Equipment.com to order your parts



Ref	Part No	Description	Remark	QTY KIT
2	594 28 32-01	FLANGE		2
3	594 28 44-01	ROTOR		1
7	594 25 97-01	BEARING		2
8	594 28 42-01	EXCENTER		1
9	594 28 33-01	INNER PLATE		1
10	594 28 34-01	EXCENTER		1
11	594 28 43-01	EXCENTER		1
12	594 28 39-01	PISTON	BS 16	1
13	595 44 83-01	O-RING	158.42x2.62 NBR 70 Shore	2
14	594 28 21-01	COVER		1
15	594 28 22-01	SEAL		1
16	595 05 36-01	SCREW	M5x16 ISO 4014 8.8 A2K	4
17	594 27 35-01	SPRING WASHER	M5 DIN 6798A	4
18	594 11 86-01	SCREW	M10x30 ISO 4014 8.8 A2K	8
19	595 18 26-01	WASHER	M10 DIN 6796	8
20	595 44 97-01	SCREW	M5x8 ISO 1207 4.8	1
21	595 44 63-01	NUT	M5 ISO 4032 BRASS	12
22	594 83 32-01	WASHER	M5 DIN 6798A	9
23	595 18 24-01	WASHER	M5 ISO 7090 BRASS	16
24	595 44 55-01	SPADE		10
25	594 79 05-01	STRIP		3
26	594 28 45-01	SEALING		2
27	594 28 35-01	COVER		2
28	594 50 19-01	PIN		2
29	594 55 29-01	DEFLECTOR		2
30	595 18 06-01	SCREW	M6x16 ISO 2009 4.8	6
31	595 34 43-01	SCREW	M8x30 ISO 4017 8.8 A2K	2
32	595 11 36-01	WASHER	M8 ISO 10670	2
33	594 28 38-01	BLOCK	6 poles, for ER 705 230/400 V 50 Hz and ER 705 500 V 50 Hz	1
34	595 44 64-01	BOX	9 poles, for ER 705 500 V 60Hz and ER 705 600 V 60Hz	1
35	594 79 24-01	DECAL		2
36	599829001	TBD		2
37	594 12 68-01	LUBRICATION NIPPLE		2
38	595 18 05-01	SCREW	M5x16 ISO 1207 4.8 ZnB	2
39	595 45 45-01	CONNECTOR		1
40	595 17 91-01	PLUG		2

Go to Discount-Equipment.com to order your parts

PARTS FINDER

**Search Website
by Part Number**



**Search Manual
Library For Parts
Manual & Lookup Part
Numbers – Purchase
or Request Quote**

Search Manuals

Enter your information to help us find the right parts manual for your machine.

* Brand:

* Model:

* Serial:

* Part Number:

SEARCH

**Can't Find Part or
Manual? Request Help
by Manufacturer,
Model & Description**

Parts Order Form

Please fill in the following information to help us find the right part for your machine.

Manufacturer:	<input type="text"/>
Model:	<input type="text"/>
Description:	<input type="text"/>
Part Number:	<input type="text"/>
Quantity:	<input type="text"/>
Notes:	<input type="text"/>

Discount-Equipment.com is your online resource for quality parts & equipment.

Florida: **561-964-4949** Outside Florida TOLL FREE: **877-690-3101**

Need parts?

Click on this link: <http://www.discount-equipment.com/category/5443-parts/> and choose one of the options to help get the right parts and equipment you are looking for. Please have the machine model and serial number available in order to help us get you the correct parts. If you don't find the part on the website or on one of the online manuals, please fill out the request form and one of our experienced staff members will get back to you with a quote for the right part that your machine needs.

We sell worldwide for the brands: Genie, Terex, JLG, MultiQuip, Mikasa, Essick, Whiteman, Mayco, Toro Stone, Diamond Products, Generac Magnum, Airman, Haulotte, Barreto, Power Blanket, Nifty Lift, Atlas Copco, Chicago Pneumatic, Allmand, Miller Curber, Skyjack, Lull, Skytrak, Tsurumi, Husquvarna Target, Stow, Wacker, Sakai, Mi-T-M, Sullair, Basic, Dynapac, MBW, Weber, Bartell, Bennar Newman, Haulotte, Ditch Runner, Menegotti, Morrison, Contec, Buddy, Crown, Edco, Wyco, Bomag, Laymor, EZ Trench, Bil-Jax, F.S. Curtis, Gehl Pavers, Heli, Honda, ICS/PowerGrit, IHI, Partner, Imer, Clipper, MMD, Koshin, Rice, CH&E, General Equipment, Amida, Coleman, NAC, Gradall, Square Shooter, Kent, Stanley, Tamco, Toku, Hatz, Kohler, Robin, Wisconsin, Northrock, Oztec, Toker TK, Rol-Air, APT, Wylie, Ingersoll Rand / Doosan, Innovatech, Con X, Ammann, Mecalac, Makinex, Smith Surface Prep, Small Line, Wanco, Yanmar