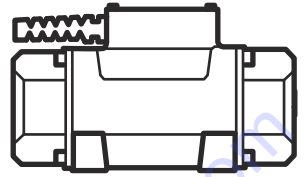




# Husqvarna®



ER 105, ER 205, ER 305, ER 405, ER 505,  
ER 605, ER 705, ER 207B, ER 407B, ER  
507B

EN	Operator's manual	2-27
DE	Bedienungsanweisung	28-55
FR	Manuel d'utilisation	56-82
NL	Gebbruiksaanwijzing	83-108

**TO PURCHASE THIS PRODUCT PLEASE CONTACT US**



**Equipment Financing and  
Extended Warranties Available**



**Discount-Equipment.com is your online resource for  
commercial and industrial quality parts and equipment sales.**

**561-964-4949**

**visit us on line @ [www.discount-equipment.com](http://www.discount-equipment.com)**

Select an option below to find your Equipment

**Search by Manufacturer**

**Search by Product Type**

**Request a Quote**

We sell worldwide for the brands: Genie, Terex, JLG, MultiQuip, Mikasa, Essick, Whiteman, Mayco, Toro Stone, Diamond Products, Generac Magnum, Airman, Haulotte, Barreto, Power Blanket, Nifty Lift, Atlas Copco, Chicago Pneumatic, Allmand, Miller Curber, Skyjack, Lull, Skytrak, Tsurumi, Husquvarna Target, Stow, Wacker, Sakai, Mi-T-M, Sullair, Basic, Dynapac, MBW, Weber, Bartell, Bennar Newman, Haulotte, Ditch Runner, Menegotti, Morrison, Contec, Buddy, Crown, Edco, Wyco, Bomag, Laymor, EZ Trench, Bil-Jax, F.S. Curtis, Gehl Pavers, Heli, Honda, ICS/PowerGrit, IHI, Partner, Imer, Clipper, MMD, Koshin, Rice, CH&E, General Equipment, Amida, Coleman, NAC, Gradall, Square Shooter, Kent, Stanley, Tamco, Toku, Hatz, Kohler, Robin, Wisconsin, Northrock, Oztec, Toker TK, Rol-Air, APT, Wylie, Ingersoll Rand / Doosan, Innovatech, Con X, Ammann, Mecalac, Makinex, Smith Surface Prep, Small Line, Wanco, Yanmar

# Contents

Introduction.....	2	Troubleshooting.....	14
Safety.....	3	Transportation, storage and disposal.....	16
Installation.....	7	Technical data.....	17
Operation.....	8	Service.....	26
Maintenance.....	11	EC Declaration of Conformity.....	27

## Introduction

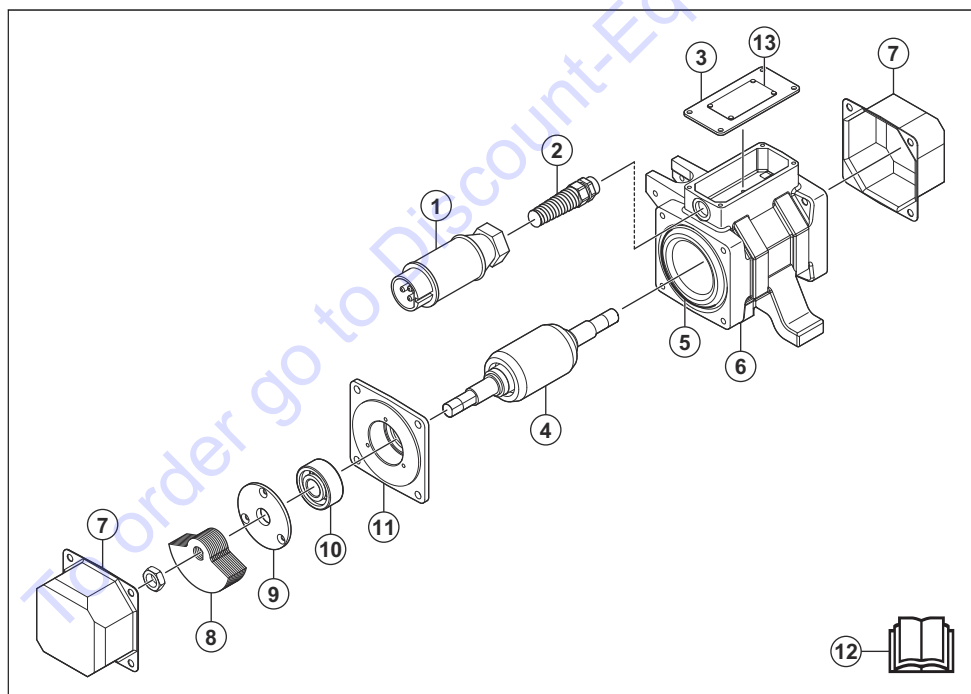
### Product description

The product is a concrete vibrator with a built-in electrical drive unit. It operates on the outer side of a concrete form. The normal frequency products are operated directly from the power supply. The high frequency products are operated through a frequency converter.

### Intended use

The product is for professional operation only. The product removes air bubbles from wet concrete. Do not use the product for other tasks.

### Product overview



1. Power plug
2. Gland
3. Top cover
4. Rotor

5. Stator
6. Housing
7. End cover
8. Eccentric weights

9. Bearing cover
10. Bearing
11. Bearing bracket
12. Operator's manual
13. Rating plate

## Symbols on the product



**WARNING:** This product can be dangerous and cause serious injury or death to the operator or others. Be careful and use the product correctly.



Read the manual carefully and make sure that you understand the instructions before you use the product.



Use approved protective gloves.



Use hearing protection.



Double insulation.



The product or package of the product is not domestic waste.

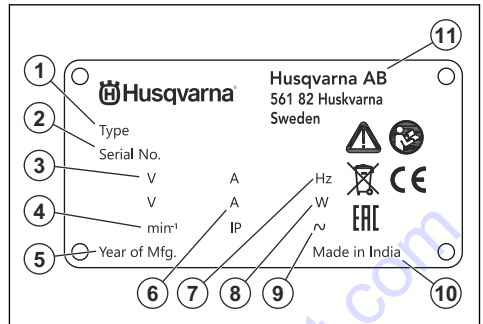
**IP44** Protection against solid objects that are larger than 1mm and water splashing from all directions.



This product is in compliance with applicable EC directives.

**Note:** Other symbols/decals on the product refer to special certification requirements for some markets.

## Rating plate



1. Product type
2. Serial number
3. Voltage, V
4. Motor speed, rpm
5. Year of manufacture
6. Current, A
7. Frequency, Hz
8. Rated power, W
9. Phase
10. Land of manufacture
11. Manufacturer

## Product liability

As referred to in the product liability laws, we are not liable for damages that our product causes if:

- the product is incorrectly repaired.
- the product is repaired with parts that are not from the manufacturer or not approved by the manufacturer.
- the product has an accessory that is not from the manufacturer or not approved by the manufacturer.
- the product is not repaired at an approved service center or by an approved authority.

## Safety

### Safety definitions

Warnings, cautions and notes are used to point out specially important parts of the manual.



**WARNING:** Used if there is a risk of injury or death for the operator or bystanders if the instructions in the manual are not obeyed.



**CAUTION:** Used if there is a risk of damage to the product, other materials or the adjacent area if the instructions in the manual are not obeyed.

**Note:** Used to give more information that is necessary in a given situation.

## General power tool safety warnings



**WARNING: Read all safety warnings, instructions, illustrations and specifications provided with this power tool.** Failure to follow all instructions listed below may result in electric shock, fire and/or serious injury.

- **Save all warnings and instructions for future reference.** The term "power tool" in the warnings refers to your mains-operated (corded) power tool or battery-operated (cordless) power tool.

## Work area safety

- **Keep work area clean and well lit.** Cluttered or dark areas invite accidents.
- **Do not operate power tools in explosive atmospheres, such as in the presence of flammable liquids, gases or dust.** Power tools create sparks which may ignite the dust or fumes.
- **Keep children and bystanders away while operating a power tool.** Distractions can cause you to lose control.

## Electrical safety

- **Power tool plugs must match the outlet. Never modify the plug in any way. Do not use any adapter plugs with earthed (grounded) power tools.** Unmodified plugs and matching outlets will reduce risk of electric shock.
- **Avoid body contact with earthed or grounded surfaces, such as pipes, radiators, ranges and refrigerators.** There is an increased risk of electric shock if your body is earthed or grounded.
- **Do not expose power tools to rain or wet conditions.** Water entering a power tool will increase the risk of electric shock.
- **Do not abuse the cord. Never use the cord for carrying, pulling or unplugging the power tool. Keep cord away from heat, oil, sharp edges or moving parts.** Damaged or entangled cords increase the risk of electric shock.
- **When operating a power tool outdoors, use an extension cord suitable for outdoor use.** Use of a cord suitable for outdoor use reduces the risk of electric shock.
- **If operating a power tool in a damp location is unavoidable, use a residual current device (RCD) protected supply.** Use of a RCD reduces the risk of electric shock.

## Personal safety

- **Stay alert, watch what you are doing and use common sense when operating a power tool. Do not use a power tool while you are tired or under the influence of drugs, alcohol or medication.** A moment of inattention while operating power tools may result in serious personal injury.

- **Use personal protective equipment. Always wear eye protection.** Protective equipment such as dust mask, non-skid safety shoes, hard hat or hearing protection used for appropriate conditions will reduce personal injuries.
- **Prevent unintentional starting. Ensure the switch is in the off-position before connecting to power source and/or battery pack, picking up or carrying the tool.** Carrying power tools with your finger on the switch or energising power tools that have the switch on invites accidents.
- **Remove any adjusting key or wrench before turning the power tool on.** A wrench or a key left attached to a rotating part of the power tool may result in personal injury.
- **Do not overreach. Keep proper footing and balance at all times.** This enables better control of the power tool in unexpected situations.
- **Dress properly. Do not wear loose clothing or jewellery. Keep your hair and clothing away from moving parts.** Loose clothes, jewellery or long hair can be caught in moving parts.
- **If devices are provided for the connection of dust extraction and collection facilities, ensure these are connected and properly used.** Use of dust collection can reduce dust-related hazards.
- **Do not let familiarity gained from frequent use of tools allow you to become complacent and ignore tool safety principles.** A careless action can cause severe injury within a fraction of a second.

## Power tool use and care

- **Do not force the power tool. Use the correct power tool for your application.** The correct power tool will do the job better and safer at the rate for which it was designed.
- **Do not use the power tool if the switch does not turn it on and off.** Any power tool that cannot be controlled with the switch is dangerous and must be repaired.
- **Disconnect the plug from the power source and/or remove the battery pack, if detachable, from the power tool before making any adjustments, changing accessories, or storing power tools.** Such preventive safety measures reduce the risk of starting the power tool accidentally.
- **Store idle power tools out of the reach of children and do not allow persons unfamiliar with the power tool or these instructions to operate the power tool.** Power tools are dangerous in the hands of untrained users.
- **Maintain power tools and accessories. Check for misalignment or binding of moving parts, breakage of parts and any other condition that may affect the power tool's operation. If damaged, have the power tool repaired before use.** Many accidents are caused by poorly maintained power tools.

- **Keep cutting tools sharp and clean.** Properly maintained cutting tools with sharp cutting edges are less likely to bind and are easier to control.
- **Use the power tool, accessories and tool bits etc. in accordance with these instructions, taking into account the working conditions and the work to be performed.** Use of the power tool for operations different from those intended could result in a hazardous situation.
- **Keep handles and grasping surfaces dry, clean and free from oil and grease.** Slippery handles and grasping surfaces do not allow for safe handling and control of the tool in unexpected situations.

## Service

- **Have your power tool serviced by a qualified repair person using only identical replacement parts.** This will ensure that the safety of the power tool is maintained.

## General safety instructions



**WARNING:** Read the warning instructions that follow before you use the product.

- This product is a dangerous tool if you are not careful or if you use the product incorrectly. This product can cause serious injury or death to the operator or others. Before you use the product, you must read and understand the contents of this operator's manual.
  - Save all warnings and instructions.
  - Comply with all applicable laws and regulations.
  - The operator and the employer of the operator must know and prevent the risks during operation of the product.
  - Do not let a person operate the product unless they read and understand the contents of the operator's manual.
  - Do not operate the product unless you receive training before use. Make sure that all operators receive training.
  - Do not let a child operate the product.
  - Only let approved persons operate the product.
  - The operator is responsible for accidents that occur to other persons or their property.
  - Do not use the product if you are tired, ill, or under the influence of alcohol, drugs or medicine.
  - Always be careful and use your common sense.
  - This product produces an electromagnetic field during operation. This field can under some circumstances interfere with active or passive medical implants. To decrease the risk of serious injury or death, we recommend persons with medical implants to speak to their physician and the medical implant manufacturer before operating this product.
  - Keep the product clean. Make sure that you can clearly read signs and decals.
- Do not use the product if it is defective.
  - Do not do modifications to this product.
  - Do not operate the product if it is possible that other persons have done modifications to the product.



**WARNING:** Read the warning instructions that follow before you use the product.

- Make sure that you know how to stop the product quickly in an emergency.
- The operator must have the physical strength that is necessary to operate the product safely.
- Use personal protective equipment. Refer to *Personal protective equipment on page 6*.
- Make sure that only approved persons are in the work area.
- Keep the work area clean and bright.
- Make sure that you are in a safe and stable position during operation.
- Make sure that there is no risk that you or the product can fall from a height.
- Make sure that there is no grease or oil on the handle.
- Do not use the product in areas where fire or explosions can occur.
- The product can cause objects to eject at high speed. Make sure that all persons in the work area use approved personal protective equipment. Remove loose objects from the work area.
- Before you go away from the product, stop the product and disconnect the power source.
- Make sure that the power outlet voltage agrees with the voltage that is given on the rating plate of the product.
- Make sure that clothes, long hair and jewelry do not get caught in moving parts.
- Do not sit on the product.
- Do not hit the product.
- Make sure that you or other persons cannot get caught in and fall on cables, hoses and shafts in the work area.
- Before you operate the product, find out if there are hidden wires, electrical cables or other sources of electricity. Do not operate the product unless you know that it is in a safe work area.

## Vibration safety



**WARNING:** Read the warning instructions that follow before you use the product.

- During operation of the product, vibrations go from the product to the operator. Regular and frequent operation of the product can cause or increase the

degree of injuries to the operator. Injuries can occur in fingers, hands, wrists, arms, shoulders, and/or nerves and blood supply or other body parts. The injuries can be debilitating and/or permanent, and can increase gradually during weeks, months or years. Possible injuries include damage to the blood circulation system, the nervous system, joints, and other body structures.

- Symptoms can occur during operation of the product or at other times. If you have symptoms and continue to operate the product, the symptoms can increase or become permanent. If these or other symptoms occur, get medical aid:
  - Numbness, loss of feeling, tingling, pricking, pain, burning, throbbing, stiffness, clumsiness, loss of strength, changes in skin color or condition.
- Symptoms can increase in cold temperatures. Use warm clothing and keep your hands warm and dry when you operate the product in cold environments.
- Do maintenance on and operate the product as given in the operator's manual, to keep a correct vibration level.
- The product has a vibration damping system that decreases the vibrations from the handles to the operator. Let the product do the work. Do not push the product with force. Hold the product at the handles lightly, but make sure that you control the product and operate it safely. Do not push the handles into the end stops more than necessary.
- Keep your hands on the handle or handles only. Keep all other body parts away from the product.
- Stop the product immediately if strong vibrations suddenly occurs. Do not continue the operation before the cause of the increased vibrations is removed.

## Dust safety

---



**WARNING:** Read the warning instructions that follow before you use the product.

---

- Operation of the product can cause dust in the air. Dust can cause serious injury and permanent health problems. Silica dust is regulated as harmful by several authorities. These are examples of such health problems:
  - The fatal lung diseases chronic bronchitis, silicosis and pulmonary fibrosis
  - Cancer
  - Birth defects
  - Skin inflammation
- Use correct equipment to decrease the quantity of dust and fumes in the air and to decrease dust on work equipment, surfaces, clothing and body parts. Examples of controls are dust collection systems and water sprays to bind dust. Decrease dust at the source where possible. Make sure that the

equipment is correctly installed and used and that regular maintenance is done.

- Use approved respiratory protection. Make sure that the respiratory protection is applicable for the dangerous materials in the work area.
- Make sure that the airflow is sufficient in the work area.
- If it is possible, point the exhaust of the product where it cannot cause dust to go into the air.

## Noise safety

---



**WARNING:** Read the warning instructions that follow before you use the product.

---

- High noise levels and long-term exposure to noise can cause noise-induced hearing loss.
- To keep the noise level to a minimum, do maintenance on and operate the product as given in the operator's manual.
- Use approved hearing protection while you operate the product.
- Listen for warning signals and voices when you use hearing protection. Remove the hearing protection when the product is stopped, unless hearing protection is necessary for the noise level in the work area.

## Personal protective equipment

---



**WARNING:** Read the warning instructions that follow before you use the product.

---

- Always use approved personal protective equipment when you operate the product. Personal protective equipment cannot fully prevent injury but it decreases the degree of injury if an accident does occur. Let your dealer help you select the correct personal protective equipment.
- Regularly do a check of the condition of the personal protective equipment.
- Use an approved protective helmet.
- Use approved hearing protection.
- Use approved respiratory protection.
- Use approved eye protection with side protection.
- Use protective gloves.
- Use boots with steel toe-cap and non-slip sole.
- Use approved work clothing or equivalent close-fitting clothing that has long sleeves and long legs.

## Safety instructions for maintenance

---



**WARNING:** Read the warning instructions that follow before you use the product.

---

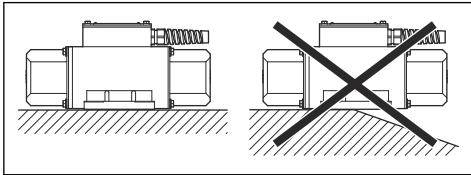
- If the maintenance is not done correctly and regularly, the risk of injury and damage to the product increases.
- Use personal protective equipment. Refer to *Personal protective equipment on page 6*.
- Clean the product to remove dangerous material before you do the maintenance.
- Disconnect the product from the power source before you do the maintenance.
- Do not change the product. Modifications that are not approved by the manufacturer can cause serious injury or death.
- Always use original accessories and spare parts. Accessories and spare parts that are not approved

- by the manufacturer, can cause serious injury or death.
- Replace damaged, worn or broken parts.
- Only do the maintenance as given in this operator's manual. Let an approved service agent do all other servicing.
- If the replacement of the supply cord is necessary, this has to be done by the manufacturer or his agent in order to avoid a safety hazard.
- After maintenance, do a check of the vibration level in the product. If it is not correct, speak to an approved service agent.
- Let an approved service agent do servicing on the product regularly.

## Installation

### To attach the product to the concrete form

1. Make sure that the surface of the concrete form is flat, clean and not painted.



2. Make sure that the concrete form is rigid. If the concrete form is not rigid, it must be made stronger with a welded plate.
3. Attach the product to the concrete form or to the welded plate with bolts or brackets. Refer to *To attach the product with bolts on page 7* and *To attach the product with brackets on page 7*.

### To attach the product with bolts

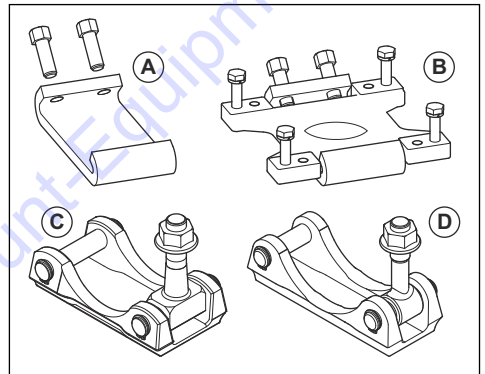
1. Attach the product directly to the concrete form or to the mounting plate that is welded onto the concrete form. Tighten the bolts to the correct torque. Refer to *Tightening torque on page 19*.



**CAUTION:** Make sure that the bolts are locking screws and made of high resistance steel. The bolts must be of strength class 8.8 or 10.9.

2. Do a check of the tightening torque after the first 30 minutes of operation and then after each 100 hours of operation.

### To attach the product with brackets



Bracket	Order No.	Normal frequency (3000 rpm 50Hz and 3600 rpm 60 Hz)
A	594367701	ER 305. The bracket must be welded to the structure.
B	597267501	ER 405 and ER 505. The bracket kit includes bracket (A), a mounting plate and a set of bolts. The bracket must be welded to the structure. Attach the mounting plate to the bracket. Attach the product to the mounting plate.



Bracket	Order No.	High frequency (5400 rpm 60 Hz and 6000 rpm 50 Hz)
C	597157201	ER 207B. The bracket must be welded to the structure.

Bracket	Order No.	High frequency (5400 rpm 60 Hz and 6000 rpm 50 Hz)
D	597157101	ER 407B and ER 507B. The bracket must be welded to the structure.

## Operation

### Introduction



**WARNING:** Read and understand the safety chapter before you use the product.

### To do before you operate the product

- Read the operator's manual carefully and make sure that you understand the instructions.
- Do the daily maintenance. Refer to *Maintenance schedule* on page 11.

### Centrifugal force ER 105

The centrifugal force is not adjustable for ER 105.

Type, 3000 rpm, 50 Hz	Centrifugal force, N
ER 105	500

Type, 3600 rpm, 60 Hz	Centrifugal force, Lbs
ER 105	118

### To adjust the centrifugal force ER 205

1. Remove the bolts and washers that hold the end covers. Refer to *To disassemble the product* on page 12.
2. Remove the end covers.
3. Remove the bolts and the washers from each end of the rotor.
4. Remove the eccentric weights from the shaft and turn them 180° to adjust the centrifugal force. Refer to *Eccentric weight adjustments for ER 205, 50 Hz* on page 8 and *Eccentric weight adjustments for ER 205, 60 Hz* on page 8.

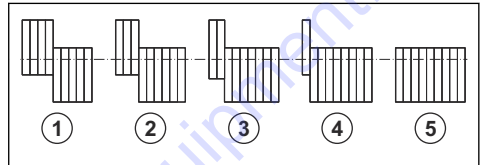


**CAUTION:** Do the adjustments on each end of the rotor.

**Note:** The positions of the eccentric weights are also found on the inner side of the eccentric weights covers. The factory positions for the products are set to position 4.

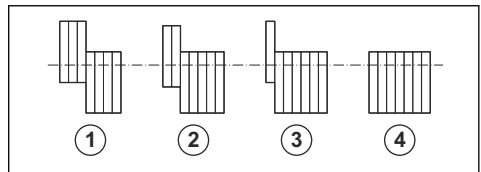
5. Assemble the product. Refer to *To assemble the product* on page 13.

### Eccentric weight adjustments for ER 205, 50 Hz



Type, 3000 rpm	Centrifugal force, N				
ER 205	155	470	780	1100	1400
Position	1	2	3	4	5

### Eccentric weight adjustments for ER 205, 60 Hz



Type, 3600 rpm	Centrifugal force, Lbs			
ER 205	48	144	240	336
Position	1	2	3	4

### To adjust the centrifugal force ER 305, ER 405 and ER 505

1. Remove the bolts and washers that hold the end covers. Refer to *To disassemble the product* on page 12.
2. Remove the end covers.
3. Remove the bolts and the washers from each end of the rotor.

- Remove the eccentric weights from the shaft and turn them 180° to adjust the centrifugal force. Refer to *Eccentric weight adjustments for ER 305, ER 405 and ER 505, 50 Hz on page 9* and *Eccentric weight adjustments for ER 305, ER 405 and ER 505, 60 Hz on page 9*.

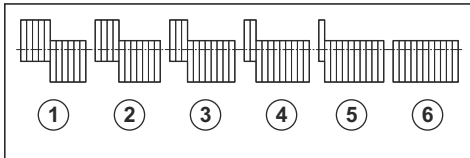


**CAUTION:** Do the adjustments on each end of the rotor.

**Note:** The positions of the eccentric weights are also found on the inner side of the eccentric weights covers. The factory positions for the products are set to position 4.

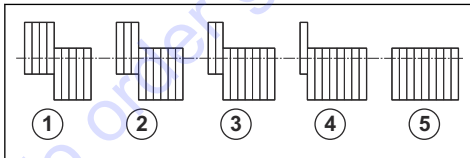
- Assemble the product. Refer to *To assemble the product on page 13*.

### Eccentric weight adjustments for ER 305, ER 405 and ER 505, 50 Hz



Type, 3000 rpm	Centrifugal force, N					
ER 305	300	840	1380	1920	2460	3000
ER 405	540	1630	2730	3820	4910	6000
ER 505	700	2040	3380	4720	6060	7400
Position	1	2	3	4	5	6

### Eccentric weight adjustments for ER 305, ER 405 and ER 505, 60 Hz



Type, 3600 rpm	Centrifugal force, Lbs				
ER 405	170	505	840	1175	1510
Position	1	2	3	4	5

### To adjust the centrifugal force ER 605 and ER 705

- Remove the bolts and washers that hold the end covers. Refer to *To disassemble the product on page 12*.
- Remove the end covers.
- Remove the bolts and the washers from each end of the rotor.
- Loosen the bolt that attaches the mobile eccentric weight to the attached eccentric weight. Move the mobile eccentric weight to adjust the centrifugal force and tighten the bolt. Refer to *Eccentric weight adjustments for ER 605 and ER 705, 50 Hz on page 9* and *Eccentric weight adjustments for ER 605 and ER 705, 60 Hz on page 9*.

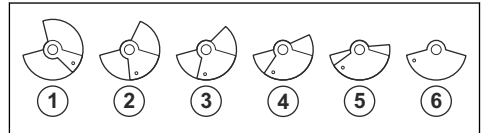


**CAUTION:** Do the adjustments on each end of the rotor.

**Note:** The positions of the eccentric weights are also found on the inner side of the eccentric weights covers. The factory positions for the products are set to position 4.

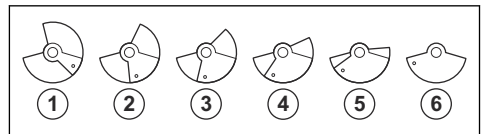
- Assemble the product. Refer to *To assemble the product on page 13*.

### Eccentric weight adjustments for ER 605 and ER 705, 50 Hz



Type, 3000 rpm	Centrifugal force, N					
ER 605	4500	6000	7500	9000	10500	12000
ER 705	6000	8000	10000	12000	14000	16000
Position	1	2	3	4	5	6

### Eccentric weight adjustments for ER 605 and ER 705, 60 Hz



Type, 3600 rpm	Centrifugal force, Lbs					
	ER 605	1012	1350	1687	2025	2362
ER 705	1435	1913	2391	2869	3347	3825
Position	1	2	3	4	5	6

## To adjust the centrifugal force ER 207B, ER 407B and ER 507B

1. Remove the bolts and washers that hold the end covers. Refer to *To disassemble the product on page 12*.
2. Remove the end covers.
3. Remove the bolts and the washers from each end of the rotor.
4. Remove the eccentric weights from the shaft and turn them 180° to adjust the centrifugal force. Refer to *Eccentric weight adjustments for ER 207B, ER 407B and ER 507B, 200 Hz on page 10* and *Eccentric weight adjustments for ER 207B, ER 407B and ER 507B, 180 Hz on page 10*.

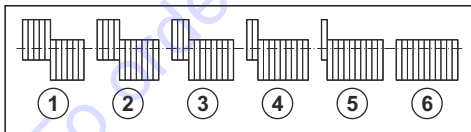


**CAUTION:** Do the adjustments on each end of the rotor.

**Note:** The positions of the eccentric weights are also found on the inner side of the eccentric weights covers. The factory positions for the products are set to position 4.

5. Assemble the product. Refer to *To assemble the product on page 13*.

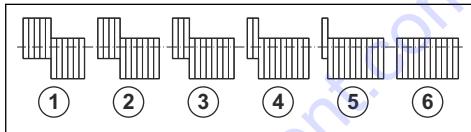
## Eccentric weight adjustments for ER 207B, ER 407B and ER 507B, 200 Hz



Type, 6000 rpm	Centrifugal force, N					
	ER 207B	700	2040	3380	4720	6050
ER 407B	1000	3000	5000	7000	9000	11000

Type, 6000 rpm	Centrifugal force, N					
	ER 507B	1460	4380	7300	10220	13080
Position	1	2	3	4	5	6

## Eccentric weight adjustments for ER 207B, ER 407B and ER 507B, 180 Hz



Type, 5400 rpm	Centrifugal force, Lbs					
	ER 207B	120	365	610	855	1100
ER 407B	180	540	540	1260	1620	1980
ER 507B	270	810	1350	1890	2430	2970
Position	1	2	3	4	5	6

## To reverse the vibration

- Change the positions of the phase wires in the power supply cable. Refer to *Wiring diagrams on page 21*.

**Note:** A table with the correct connections is found in the terminal box.

## To do a function check before operation

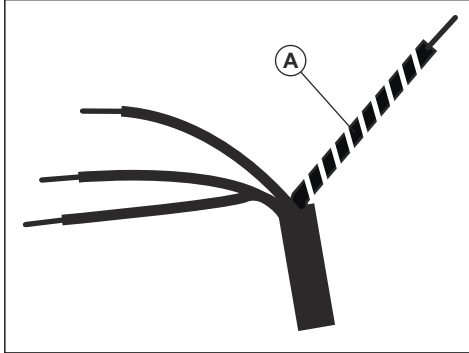
1. Assemble the product. Refer to *To assemble the product on page 13*.
2. Make sure that the product is correctly assembled. Make sure that the rotor shaft turns freely and is not loose.
3. Do a check of the motor insulation to ground. Use a multimeter at 2.2 kV for 5 seconds.
4. Make sure that the product is connected to the correct voltage. Refer to *Technical data on page 17*.
5. Do a check with a multimeter that the current is not more than the value specified on the rating plate.

## To connect the product to a power source



**WARNING:** Use approved power outlets and extension cables with approved plugs.

1. Connect the product to the power supply with a cable of type HO7RN-F with one yellow and green ground cable (A). Make sure there is no tension or friction.



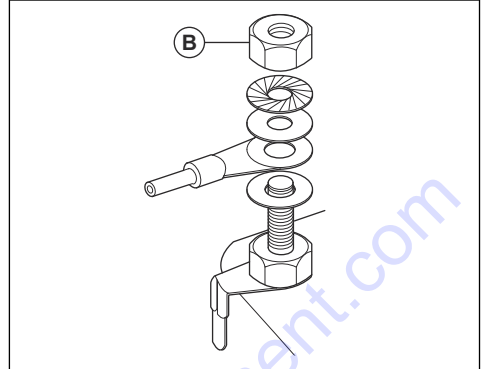
**Note:** ER 207B, ER 407B and ER 507B have a 0.6 m/1.9 ft connection cable connected to a plug. The cable is of type A07RNF 3 x 2.5 mm<sup>2</sup>.



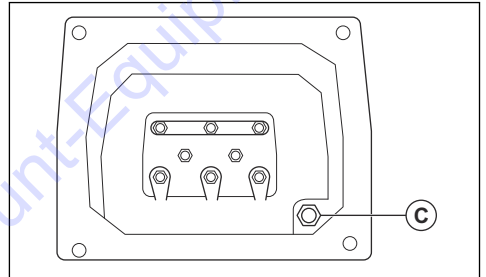
**WARNING:** Make sure that the connection to the connection box pins agrees with the "Electrical connection" instructions on the label.

2. Make sure that the dimension of the connection cable agrees with the value specified on the rating plate. Keep the connection cable short. Long cables can cause voltage drop.

3. Put the washers in the correct positions. Tighten the nuts (B) on the connection pins to the correct torque. Refer to *Tightening torque on page 19*.



4. Connect the ground cable to the connector (C) in the connection box with a corrosion resistant screw.



5. Install the cover of the connection box tightly.

## Maintenance

### Introduction



**WARNING:** Read and understand the safety chapter before you do maintenance on the product.

### Maintenance schedule

Maintenance	Before use, each 10h	Each 2 weeks, 75h	Each 4 weeks, 100h
Clean the product.	X		
Lubricate the bearings.	Refer to <i>Bearing lubrication on page 19</i> .		

Maintenance	Before use, each 10h	Each 2 weeks, 75h	Each 4 weeks, 100h
Examine the bearings. Replace the bearings if they are worn or damaged.		X	
Replace the bearings.			X

## To clean the product



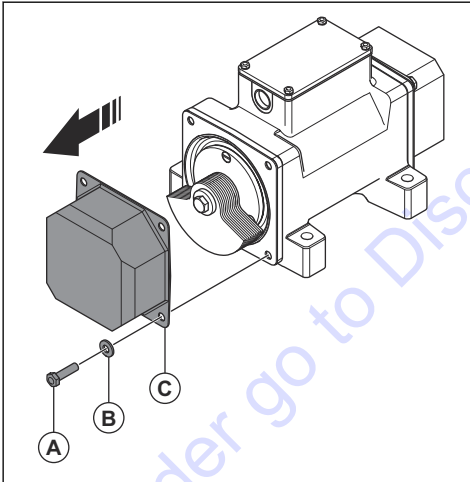
**CAUTION:** Do not use a high-pressure washer to clean the product.

- Use running water from a hose to clean the product.
- Remove concrete from the surfaces of the product after each operation before the concrete becomes hard.

## To disassemble the product

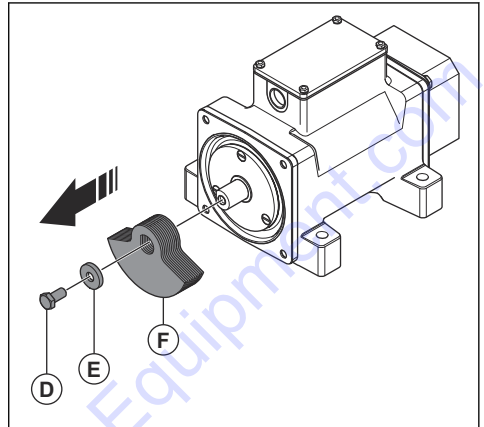
**Note:** This instruction is a general procedure. The procedure is slightly different between the products.

1. Remove the bolts (A) and the washers (B).



2. Remove the end cover (C).

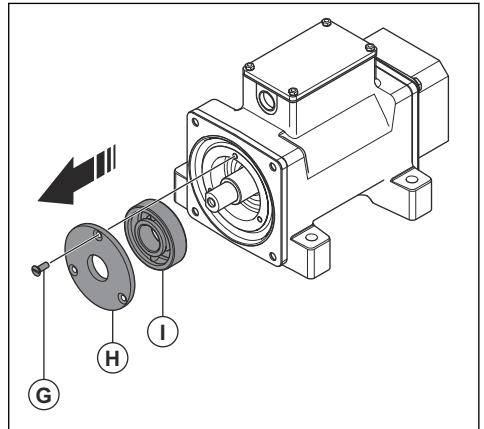
3. Remove the bolt (D) and the washer (E).



4. Remove the eccentric weights (F).

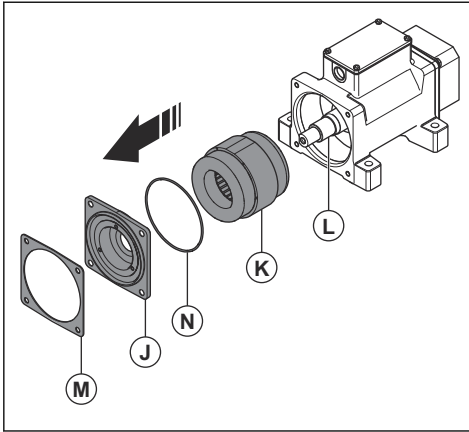
**Note:** Make a note of the positions of the eccentric weights.

5. Remove the screws (G) and the bearing cover (H).



6. Remove the bearing (I).

7. Remove the bearing bracket (J) and the stator (K).

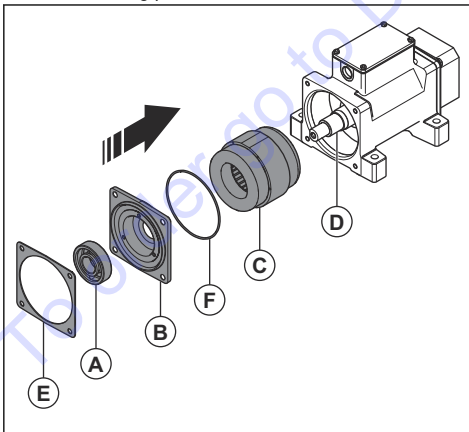


**CAUTION:** Make sure that the windings in the rotor (L) are not damaged. Make sure that the seal (M) and O-ring (N) are not damaged.

## To assemble the product

**Note:** This instruction is a general procedure. The procedure is slightly different between the products.

1. Clean the bearing with fuel and fill it with the specified type and quantity of grease. Refer to *Bearing lubrication on page 19*.
2. Push the bearing (A) into the bearing bracket (B) with a bearing press or a soft head mallet.

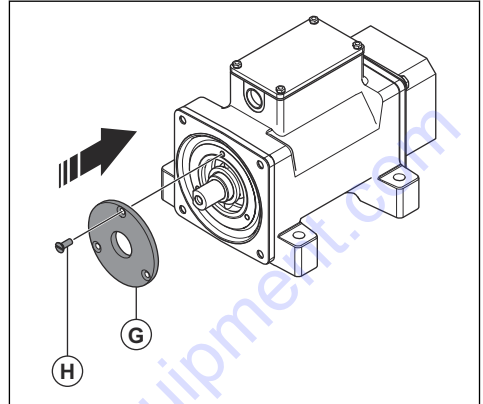


3. Put the stator (C) into the bearing bracket. Put the stator and bearing bracket into the housing.

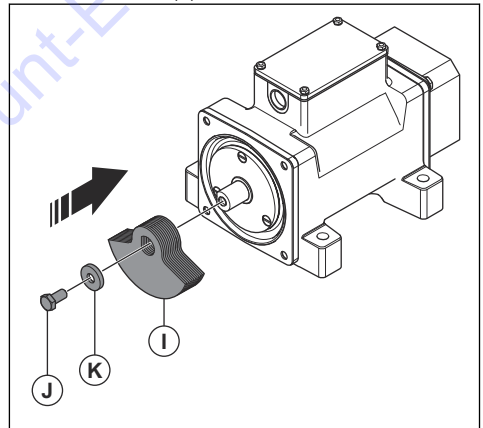


**CAUTION:** Make sure that the windings in the rotor (D) are not damaged. Make sure that the seal (E) and O-ring (F) are not damaged.

4. Assemble the bearing cover (G) with the screws (H).

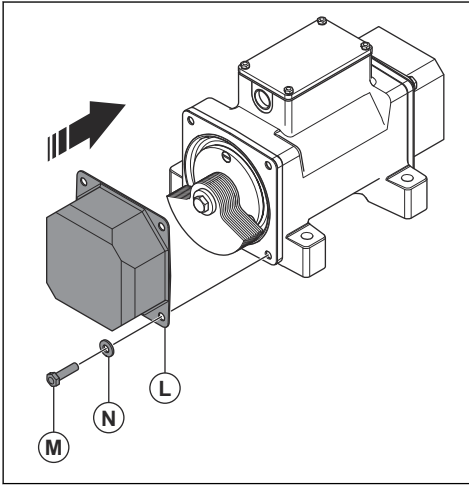


5. Assemble the eccentric weights (I) with the bolt (J) and the washer (K).



**Note:** Use the note you made to put the eccentric weights in the correct positions. Refer to *To disassemble the product on page 12*.

6. Assemble the end cover (L) with the bolts (M) and the washers (N). Tighten the bolts to the correct torque. Refer to *Tightening torque on page 19*.



## Troubleshooting

Problem	Cause	Inspection	Solution
The product does not start.	The power cord or power plug is defective.	N/A	Replace the power cord or power plug.
	The electrical connection in the connection box is not correct.	Examine the electrical connection in the connection box.	Change the connection.
	The product operates on 2 phases, not 3.	Examine the resistance of the 3 phases of the stator.	Replace damaged parts.
	The RCD releases.	Examine the resistance of the stator and the ground insulation of the product.	Replace damaged parts.
	The product is broken.	Examine if there is mechanical friction or blockage in the product.	Replace damaged parts.

<b>Problem</b>	<b>Cause</b>	<b>Inspection</b>	<b>Solution</b>
The motor circuit breaker trips.	The type or adjustment of the motor circuit breaker is not correct.	Examine the information on the rating plate on the product. Make sure that the motor circuit breaker is of the correct type.	Replace the motor circuit breaker.
	The voltage is not correct.	Examine the voltage of the power supply.	Adjust the voltage of the power supply
	There is not sufficient power to the power supply or frequency converter.	N/A	Make sure that there is sufficient power to the power source and to the frequency converter.
	The product uses too much power.	Examine if the concrete form is not sufficiently strong.	Make the concrete form structure stronger.
		Examine if the concrete form moves.	Change the dimensions of the concrete form.
		Examine if there is too much grease in the roller bearings.	Put the correct quantity of grease into the roller bearings.
		Examine if the bearings are broken.	Replace the bearings.
The product operates at a too low speed.	The connection is not correct.	N/A	The connection must be adjusted to the voltage.
	The frequency is not correct.	N/A	Connect the high frequency product to a frequency converter.
			Connect the lower frequency product to the correct power source with the correct frequency.
	Too much friction in the bearings.	Examine if there is too much grease in the roller bearings.	Put the correct quantity of grease into the roller bearings.
		Examine if the bearings are broken.	Replace the bearings.
The noise level is too high.	The bearings are broken.	N/A	Replace the bearings.
The vibration of the concrete is not constant.	The centrifugal force is too low.	N/A	Adjust the centrifugal force.
	The product is not attached correctly.	N/A	Attach the brackets correctly to the concrete form.
			Attach the product with the correct bolts to the brackets.
	The number of products used is not sufficient.	N/A	Add products where vibration is missing.
	The correct product is not used.	N/A	Attach high frequency products to a vertical concrete form.
Attach lower frequency products to a horizontal concrete form.			



Problem	Cause	Inspection	Solution
The current is too high.	The work temperature is too low.	N/A	Decrease the centrifugal force until the temperature increases.
	There is interference between products.	N/A	Adjust the positions of the products.
	The product is not attached correctly.	N/A	Attach the brackets correctly to the concrete form.
			Attach the product with the correct bolts to the brackets.
	The centrifugal force is too high.	N/A	Adjust the centrifugal force.
	The product is too small for the work.	N/A	Replace the product.

---

## Transportation, storage and disposal

---

### Transportation

Put the product on a pallet and use a forklift to move it.

### Storage

- Clean the product before storage.
- Keep the product in a dry and frost-free area.
- Keep the product in a locked area to prevent access for children or persons that are not approved.

### Disposal of the product

- Obey the local recycling requirements and applicable regulations.
- When the product no longer is used, send it to the dealer or discard it at a recycling location.

## Technical data

### Technical data ER 105, ER 205, ER 305, ER 405, ER 505, ER 605, ER 705

Type	ER 105	ER 205	ER 305	ER 405	ER 505	ER 605	ER 705
Frequency, rpm	3000						
Standard voltage, V	240/400						
Phases	3						
Frequency, Hz	50						
Input power, W	40	90	220	550	750	1150	1500
Current, A	0.16/0.09	0.30/0.18	0.68/0.39	1.80/1.09	2.30/1.33	3.30/1.90	4.20/2.50

Type	ER 105	ER 205	ER 305	ER 405	ER 505	ER 605	ER 705
Frequency, rpm	3600						
Standard voltage, V	230/460 or 220/380						
Phases	3						
Frequency, Hz	60						
Input power, W	40	90	220	550	750	1150	1500
Current, A	0.16/0.08 or 0.16/0.06	0.30/0.15 or 0.30/0.12	0.60/0.30 or 0.60/0.24	1.76/0.88 or 1.76/0.70	2.00/1.00 or 2.00/0.85	3.16/1.58 or 3.16/1.26	4.16/2.08 or 4.16/1.70

Type	ER 105	ER 205	ER 305	ER 405	ER 505	ER 605	ER 705
Weight, kg/lbs	2.70/5.90	4.30/9.50	11.00/24.20	20.00/44.10	22.00/48.50	44.60/98.30	46.80/103.20
Mounting bolts	2 × M10	2 × M10	4 × M12	4 × M12	4 × M12	4 × M16	4 × M16
<b>Noise emissions</b>							
Sound pressure level $L_p$ at the operators ear, dB(A) <sup>1</sup>	55.0	56.0	57.0	57.0	57.5	61.0	63.0

<sup>1</sup> Noise level measured in air at 1 m from the product according to EN ISO 6081. Uncertainty: ± 3 dB

## Technical data ER 207B, ER 407B, ER 507B

Type	ER 207B	ER 407B	ER 507B
Frequency, rpm	6000		
Standard voltage, V	42		
Phases	3		
Frequency, Hz	200		
Input power, W	680	1000	1500
Current, A	12.50	16.50	23.50

Type	ER 207B	ER 407B	ER 507B
Frequency, rpm	5400		
Standard voltage, V	42		
Phases	3		
Frequency, Hz	180		
Input power, W	705	1000	1500
Current, A	13.00	15.80	23.50

Type	ER 207B	ER 407B	ER 507B
Weight, kg/lbs	10.50/23.15	15.50/34.18	23.20/51.16
<b>Noise emissions</b>			
Sound pressure level $L_P$ at the operators ear, dB(A) <sup>2</sup>	91.3	95.6	97.6

### Noise and vibration declaration statement

These declared values were obtained by laboratory type testing in accordance with the stated directive or standards and are suitable for comparison with the declared values of other products tested in accordance with the same directive or standards. These declared values are not suitable for use in risk assessments and values measured in individual work places may be higher. The actual exposure values and risk of harm experienced by an individual user are unique and depend upon the way the user works, in what material the product is used, as well as upon the exposure time

and the physical condition of the user, and the condition of the product.

<sup>2</sup> Noise level measured in air at 1 m from the product according to EN ISO 6081. Uncertainty:  $\pm 3$  dB

## Bearing lubrication

Type	ER 105 , ER 205	ER 405 , ER 505	ER 305 , ER 207B	ER 605 , ER 705	ER 407B	ER 507B
Bearing type	6201.ZZ.QE6	6305.ZZ	6306	6408	NJ2304	NJ2306
SKF suffix	N/A	C3	C3	C3	ECP.C3	ECP.C3
Fag suffix	N/A	C3	C3	C3	N/A	N/A
Grease quantity, g/lbs	N/A	N/A	10/0.02	25/0.05	2/0.004	3/0.006
Lubrication interval, working hours	Lubrication is not necessary.	Lubrication is not necessary.	2000	2000	2000	2000
Type of grease	N/A	N/A	TRIBOL 3030/100 with T.G.O.A.	TRIBOL 3030/100 with T.G.O.A.	TRIBOL 3030/100 with T.G.O.A.	TRIBOL 3030/100 with T.G.O.A.

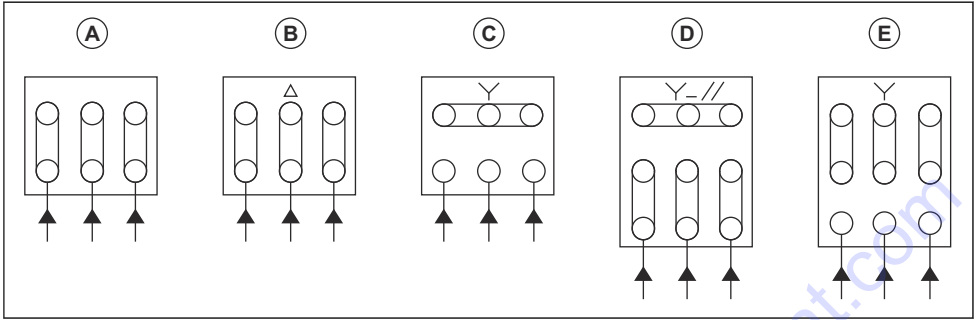
## Tightening torque

Type	Tightening torque, Nm/ft lb	
	Locking screw	Terminal block nut
M4	3.92 / 2.9	1.17 / 0.87
M5	6.37 / 4.8	1.96 / 1.45
M6	9.80 / 7.0	2.94 / 2.17
M8	22.55 / 16.6	6.37 / 4.7
M10	47.07 / 34.7	N/A
M12	78.45 / 58.0	N/A
M14	127.48 / 94.00	N/A
M16	186.32 / 137.00	N/A
M18	264.77 / 195.00	N/A
M20	372.65 / 275.00	N/A
M22	549.17 / 411.00	N/A
M24	696.27 / 513.00	N/A
M27	980.65 / 720.00	N/A
M30	1274.86 / 940.00	N/A

## Electrical supply

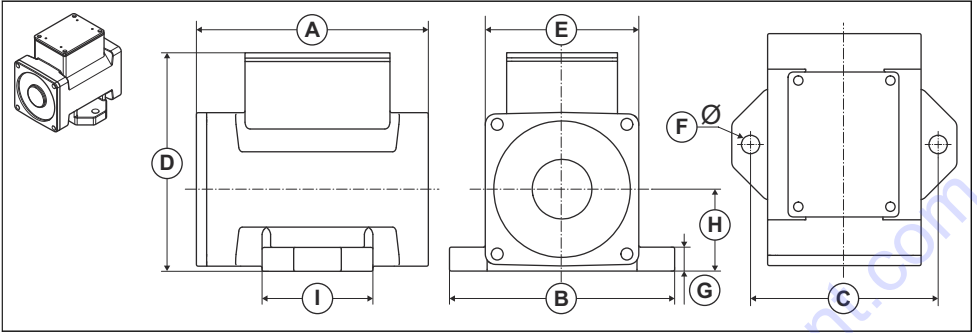
	3000 rpm, 50 Hz	6000 rpm, 50 Hz	3600 rpm, 60 Hz	5400 rpm, 60 Hz
Protection index	IP 65			
Motor insulation, Class/°C/°F	F/155/310			
Ambient temperature, °C/°F	-10 to +40/14 to 104			
Voltage	230/460V-3-50 Hz	42 to 48V-3-200 Hz, frequency converter supply	230/460V-3-60 Hz 220/380V-3-60 Hz	42 to 48V-3-180 Hz, frequency converter supply
Voltage accuracy, %	±5	N/A	±5	N/A
Frequency accuracy, %	±1	N/A	±1	N/A

# Wiring diagrams



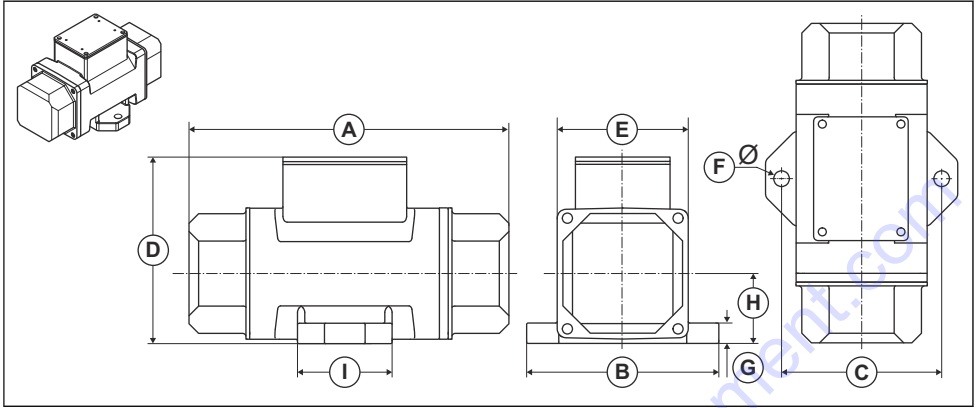
	Type	Voltage, V	Phases	Frequency, Hz
A	2	500	3	50
A	2	600	3	60
B	0	230	3	50
B	1	220	3	60
B	6	240	3	50
B	7	230	3	60
B	8	280	3	60
C	0	400	3	50
C	1	380	3	60
C	6	415	3	50
C	7	400	3	60
C	8	480	3	60
D	3	220	3	60
D	4	230	3	60
E	3	440	3	60
E	4	460	3	60

## Product dimensions ER 105



Type	ER 105
A, mm/in.	141/5.5
B, mm/in.	132/5.2
C, mm/in.	110/4.3
D, mm/in.	132/5.2
E, mm/in.	90/3.5
F, mm/in.	11/0.4
G, mm/in.	14/0.5
H, mm/in.	48/1.9
I, mm/in.	65/2.5

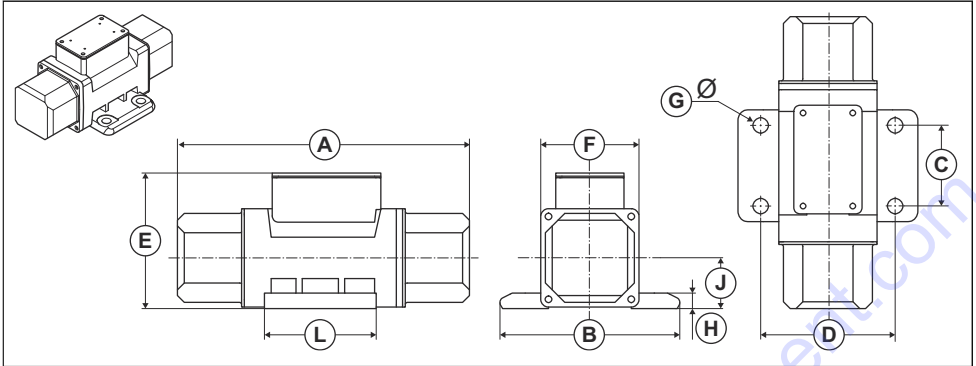
## Product dimensions ER 205



Type	ER 205
A, mm/in.	216/8.5
B, mm/in.	132/5.2
C, mm/in.	110/4.3
D, mm/in.	132/5.2
E, mm/in.	90/3.5
F, mm/in.	11/0.4
G, mm/in.	14/0.5
H, mm/in.	48/1.9
I, mm/in.	65/2.5

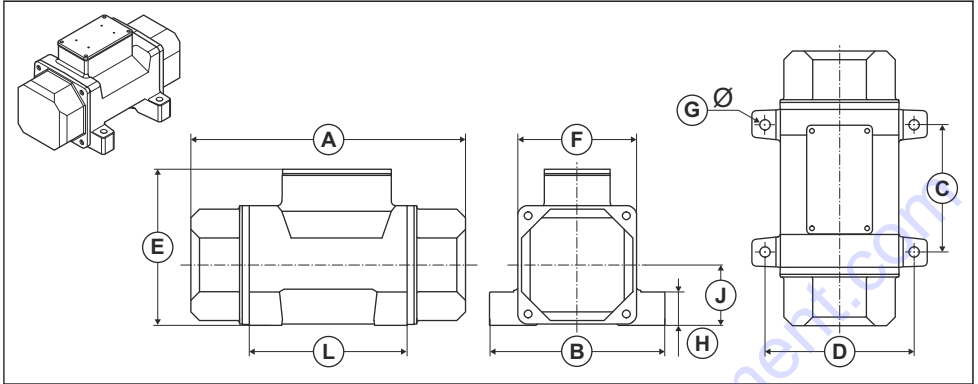


## Product dimensions ER 305



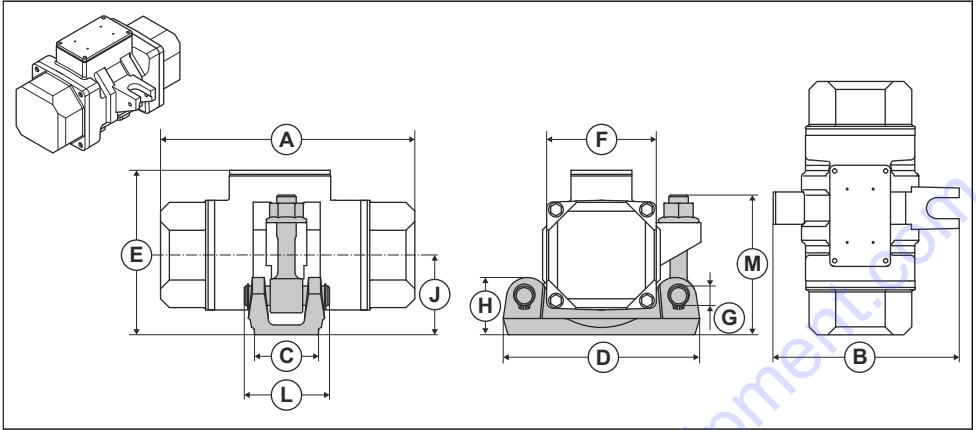
Type	ER 305
A, mm/in.	285/11.2
B, mm/in.	174/6.8
C, mm/in.	78/3.0
D, mm/in.	130/5.1
E, mm/in.	135/5.3
F, mm/in.	95/3.7
G, mm/in.	15/0.6
H, mm/in.	15/0.6
J, mm/in.	49/1.9
L, mm/in.	110/4.3

## Product dimensions ER 405, ER 505, ER 605, ER 705



Type	ER 405	ER 505	ER 605	ER 705
A, mm/in.	312/12.2	312/12.2	369/14.5	369/14.5
B, mm/in.	200/7.8	200/7.8	280/11.0	280/11.0
C, mm/in.	145/5.7	145/5.7	150/5.9	150/5.9
D, mm/in.	170/6.6	170/6.6	240/9.4	240/9.4
E, mm/in.	179/7.0	179/7.0	235/9.25	235/9.25
F, mm/in.	135/5.3	135/5.3	190/7.5	190/7.5
G, mm/in.	14/0.5	14/0.5	18/0.7	18/0.7
H, mm/in.	40/1.6	40/1.6	50/1.9	50/1.9
J, mm/in.	69/2.7	69/2.7	97/3.8	97/3.8
L, mm/in.	176/6.9	176/6.9	194/7.6	194/7.6

## Product dimensions ER 207B, ER 407B, ER 507B



Type	ER 207B	ER 407B	ER 507B
A, mm/in.	285/11.2	274/10.8	312/12.3
B, mm/in.	172/6.8	230/9.1	230/9.1
C, mm/in.	85/3.3	80/3.1	80/3.1
D, mm/in.	183/7.2	242/9.5	242/9.5
E, mm/in.	166/6.5	195/7.7	210/8.3
F, mm/in.	95/3.7	115/4.5	136/5.4
H, mm/in.	50/2.0	73/2.9	73/2.9
J, mm/in.	80/3.1	100/3.9	100/3.9
L, mm/in.	106/4.2	116/4.6	116/4.6
M, mm/in.	138/5.4	173/6.8	173/6.8

---

## EC Declaration of Conformity

---

### EC Declaration of Conformity

<b>Description</b>	<b>Concrete Vibrator</b>
<b>Brand</b>	Husqvarna
<b>Type/Model</b>	ER 105, ER 205, ER 305, ER 405, ER 505, ER 605, ER 705, ER 207B, ER 407B, ER 507B
<b>Identification</b>	Serial numbers dating from 2020 and onwards

complies fully with the following EU directives and regulations:

<b>Directive/Regulation</b>	<b>Description</b>
2006/42/EC	"relating to machinery"

and that the following harmonized standards and/or technical specifications are applied;

EN 12649

Partille, 2021-03-26

# Inhalt

Einleitung.....	28	Fehlersuche.....	42
Sicherheit.....	29	Transport, Lagerung und Entsorgung.....	44
Installation.....	34	Technische Daten.....	45
Betrieb.....	35	Service.....	54
Wartung.....	39	EU-Konformitätserklärung.....	55

# Einleitung

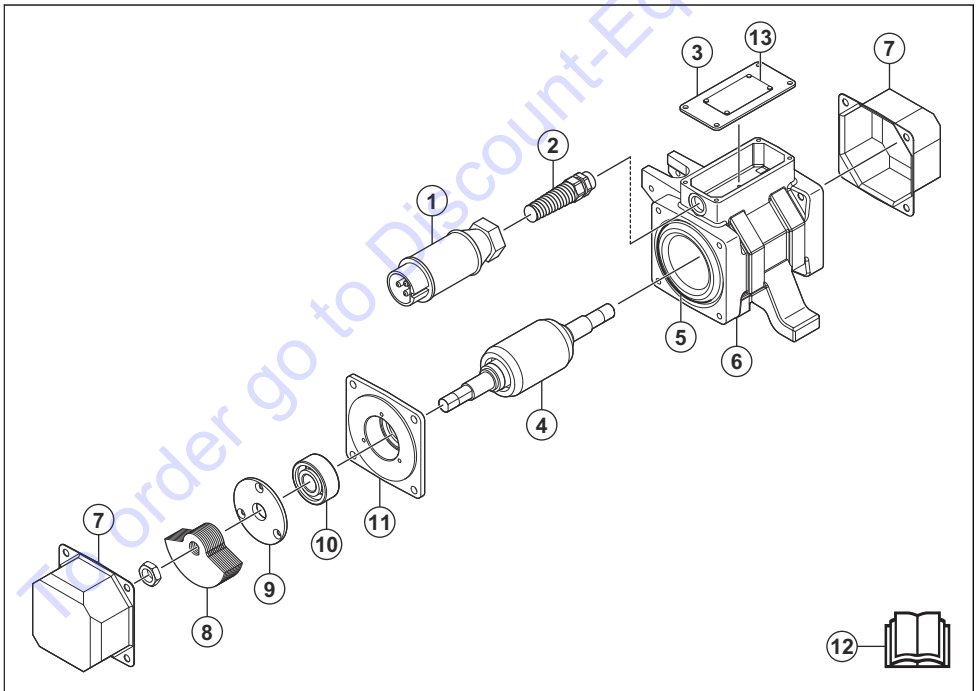
## Gerätebeschreibung

Dieses Gerät ist ein Betonrüttler mit einer integrierten elektrischen Antriebseinheit. Er wird an der Außenseite einer Betonform eingesetzt. Die Normalfrequenzgeräte werden direkt über das Netzteil betrieben. Die Hochfrequenzgeräte werden über einen Frequenzumwandler betrieben.

## Verwendungszweck

Dieses Gerät ist nur für den professionellen Einsatz gedacht. Das Gerät entfernt Luftblasen aus nassem Beton. Verwenden Sie das Gerät nicht für andere Aufgaben.

## Geräteübersicht



1. Netzstecker
2. Stopfbuchse
3. Obere Abdeckung
4. Rotor

5. Stator
6. Gehäuse
7. Endabdeckung
8. Exzentergewichte

9. Lagerabdeckung
10. Lager
11. Lagerhalterung
12. Bedienungsanleitung
13. Typenschild

## Symbole auf dem Gerät



**WARNUNG:** Dieses Gerät kann gefährlich sein und schwere oder tödliche Verletzungen des Bedieners oder anderer Personen verursachen. Gehen Sie vorsichtig vor, und verwenden Sie das Gerät ordnungsgemäß.



Lesen Sie die Betriebsanleitung sorgfältig durch, und machen Sie sich mit den Anweisungen vertraut, bevor Sie das Gerät verwenden.



Tragen Sie zugelassene Schutzhandschuhe.



Tragen Sie einen Gehörschutz.



Doppelt isoliert



Das Gerät und die Verpackung des Geräts dürfen nicht über den Hausmüll entsorgt werden.

**IP44** Schutz gegen Festkörper, die größer als 1 mm sind, und vor Spritzwasser aus allen Richtungen.

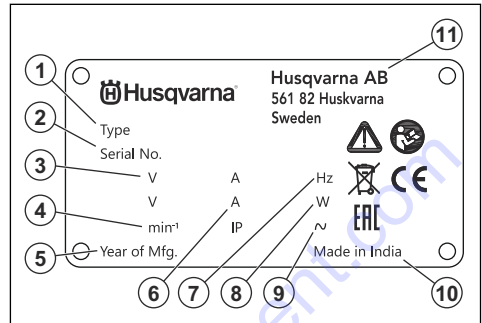


Dieses Gerät entspricht den geltenden EU-Richtlinien.

**Hinweis:** Sonstige Symbole/Aufkleber am Gerät beziehen sich auf besondere

Zertifizierungsanforderungen, die in bestimmten Ländern gelten.

## Typenschild



1. Gerätetyp
2. Seriennummer
3. Spannung, V
4. Motordrehzahl, U/min
5. Produktionsjahr
6. Stromstärke in A
7. Frequenz, Hz
8. Nennleistung, W
9. Phase
10. Herstellungsland
11. Hersteller

## Produkthaftung

Im Sinne der Produkthaftungsgesetze übernehmen wir keine Haftung für Schäden, die unser Gerät verursacht, wenn...

- das Gerät nicht ordnungsgemäß repariert wird.
- das Gerät mit Teilen repariert wird, die nicht vom Hersteller stammen oder nicht vom Hersteller zugelassen sind.
- ein Zubehörteil mit dem Gerät verwendet wird, das nicht vom Hersteller stammt oder nicht vom Hersteller zugelassen ist.
- das Gerät nicht bei einem zugelassenen Service Center oder von einem zugelassenen Fachmann repariert wird.

## Sicherheit

### Sicherheitsdefinitionen

Warnungen, Vorsichtsmaßnahmen und Hinweise werden verwendet, um auf besonders wichtige Teile der Bedienungsanleitung hinzuweisen.



**WARNUNG:** Wird verwendet, wenn bei Nichtbeachtung der Anweisungen in diesem Handbuch die Gefahr von Verletzung oder Tod des Bedieners oder anderer Personen besteht.



**ACHTUNG:** Wird verwendet, wenn bei Nichtbeachtung der Anweisungen in diesem Handbuch die Gefahr von Schäden am Gerät, an anderen Materialien oder in der Umgebung besteht.

**Hinweis:** Für weitere Informationen, die in bestimmten Situationen nötig sind.

## Allgemeine Sicherheitshinweise für Elektrowerkzeuge



**WARNUNG:** Lesen Sie alle für dieses Elektrowerkzeug vorgesehenen Sicherheitshinweise, Anleitungen, Abbildungen und technischen Daten. Wenn Sie die unten stehenden Anweisungen nicht befolgen, kann dies zu elektrischen Schlägen, Brand und/oder schweren Verletzungen führen.

- **Bewahren Sie alle Warnhinweise und Anweisungen für spätere Referenzzwecke auf.** Der Begriff „Elektrowerkzeug“ in den Warnhinweisen bezieht sich auf ein Elektrowerkzeug mit Netzbetrieb (über ein Kabel) oder mit Akkubetrieb (kabellos).

## Sicherheit im Arbeitsbereich

- **Sorgen Sie für einen sauberen und gut ausgeleuchteten Arbeitsbereich.** Durch zugestellte oder dunkle Arbeitsbereiche steigt die Unfallgefahr stark an.
- **Betreiben Sie Elektrowerkzeuge niemals an Orten, an denen Explosionsgefahr besteht, z. B. in der Nähe von leicht entzündlichen Flüssigkeiten, Gasen oder Staubsammlungen.** Bei der Arbeit mit Elektrowerkzeugen kann es zu Funkenbildung kommen, wodurch sich Staub oder Dämpfe entzünden können.
- **Sorgen Sie bei der Arbeit mit Elektrowerkzeugen dafür, dass sich keine Kinder oder unbefugte Personen in der Nähe befinden.** Durch Ablenkungen können Sie die Kontrolle über das Werkzeug verlieren.

## Elektrische Sicherheit

- **Die Netzstecker von Elektrowerkzeugen müssen zur Steckdose passen. Der Netzstecker darf in keiner Weise verändert werden. Verwenden Sie bei Elektrowerkzeugen mit Schutzkontakt (geerdet) niemals Adapterstecker.** Nicht modifizierte Stecker und Steckdosen reduzieren das Risiko eines Elektrochocs.
- **Vermeiden Sie Körperkontakt mit geerdeten Gegenständen wie Rohrleitungen, Heizungen, Herden oder Kühlschränken.** Bei Körperkontakt mit geerdeten Gegenständen besteht ein erhöhtes Stromschlagrisiko.

- **Setzen Sie Elektrowerkzeuge niemals Regen oder sonstiger Feuchtigkeit aus.** Wenn Wasser in ein Elektrowerkzeug eindringt, erhöht sich das Stromschlagrisiko.
- **Verwenden Sie das Anschlusskabel nicht missbräuchlich. Verwenden Sie das Anschlusskabel niemals zum Tragen oder Heranziehen des Elektrowerkzeugs, und ziehen Sie den Stecker nicht am Anschlusskabel aus der Steckdose. Halten Sie das Kabel fern von Hitzequellen, Öl, scharfen Kanten und beweglichen Teilen.** Beschädigte oder verdrehte Anschlusskabel erhöhen das Stromschlagrisiko.
- **Wenn Sie ein Elektrowerkzeug im Freien benutzen, verwenden Sie ein für den Außeneinsatz geeignetes Verlängerungskabel.** Die Verwendung eines für den Außeneinsatz geeigneten Kabels verringert das Risiko eines Stromschlags.
- **Falls der Einsatz eines Elektrowerkzeugs in einer feuchten Umgebung nicht zu vermeiden ist, benutzen Sie eine Stromversorgung mit FI-Schutzschalter (RCD).** Die Verwendung einer Fehlerstrom-Schutzeinrichtung (RCD) verringert das Risiko eines elektrischen Schlags.

## Persönliche Sicherheit

- **Bleiben Sie aufmerksam, achten Sie auf das, was Sie tun, und setzen Sie gesunden Menschenverstand ein, wenn Sie mit Elektrowerkzeugen arbeiten. Benutzen Sie keine Elektrowerkzeuge, wenn Sie müde sind oder unter dem Einfluss von Drogen, Alkohol oder Medikamenten stehen.** Bei der Arbeit mit Elektrowerkzeugen können bereits kurze Phasen der Unaufmerksamkeit zu schweren Verletzungen führen.
- **Tragen Sie eine persönliche Schutzausrüstung. Tragen Sie stets einen Augenschutz.** Schutzausrüstung wie Atemschutzmaske, rutschsichere Sicherheitsschuhe, Schutzhelm und Gehörschutz senkt bei angemessenem Einsatz das Verletzungsrisiko.
- **Vermeiden Sie ein versehentliches Starten. Achten Sie darauf, dass sich der Schalter in der AUS-Stellung befindet, bevor Sie das Elektrowerkzeug an die Stromversorgung und/oder den Akku anschließen oder es hochheben oder herumtragen.** Durch Herumtragen von Elektrowerkzeugen mit dem Finger am Schalter und das Einstecken des Steckers bei betätigtem Schalter steigt das Unfallrisiko stark an.
- **Entfernen Sie sämtliche Einstellschlüssel, bevor Sie das Elektrowerkzeug einschalten.** Ein an einem beweglichen Teil des Elektrowerkzeugs angebrachter Schlüssel kann zu Verletzungen führen.
- **Sorgen Sie für einen festen Stand. Achten Sie jederzeit darauf, sicher zu stehen und das Gleichgewicht zu bewahren.** Dadurch haben Sie das

- Elektrowerkzeug in unerwarteten Situationen besser im Griff.
- **Kleiden Sie sich richtig. Tragen Sie niemals lose sitzende Kleidung oder Schmuck. Halten Sie Haar und Kleidung von beweglichen Teilen fern.** Lose sitzende Kleidung, Schmuck oder langes Haar kann von beweglichen Teilen erfasst werden.
  - **Wenn Anschlüsse für Staubsaug- und Staubsammelvorrichtungen vorhanden sind, sorgen Sie dafür, dass diese richtig angeschlossen und eingesetzt werden.** Die Verwendung von Staubsammelvorrichtungen vermindert durch Staub verursachte Gefahren.
  - **Auch wenn Sie durch häufige Verwendung bestens mit den Werkzeugen vertraut sind, dürfen Sie keinesfalls nachlässig werden und die Sicherheitsgrundsätze ignorieren.** Eine achtlose Handlung kann im Bruchteil einer Sekunde zu schweren Verletzungen führen.

## Verwendung und Pflege von Elektrowerkzeugen

- **Überbeanspruchen Sie Elektrowerkzeuge nicht. Benutzen Sie das richtige Elektrowerkzeug für Ihren Einsatzzweck.** Das richtige Elektrowerkzeug erledigt seine Arbeit bei bestimmungsgemäßem Einsatz besser und sicherer.
- **Benutzen Sie das Elektrowerkzeug nicht, wenn es sich nicht am Schalter ein- und ausschalten lässt.** Jedes Elektrowerkzeug, das nicht mit dem Schalter betätigt werden kann, stellt eine Gefahr dar und muss repariert werden.
- **Trennen Sie das Elektrowerkzeug von der Stromversorgung, bzw. entfernen Sie den Akku, bevor Sie Einstellungen vornehmen, Zubehörteile austauschen oder das Elektrowerkzeug verstauen.** Solche präventiven Sicherheitsmaßnahmen verhindern den unbeabsichtigten Start des Elektrowerkzeugs.
- **Lagern Sie nicht benutzte Elektrowerkzeuge außerhalb der Reichweite von Kindern, und lassen Sie nicht zu, dass Personen das Elektrowerkzeug bedienen, die nicht mit dem Werkzeug selbst und/oder diesen Anweisungen vertraut sind.** Elektrowerkzeuge stellen in ungeschulten Händen eine Gefahr dar.
- **Warten Sie Elektrowerkzeuge und Zubehör. Prüfen Sie auf Fehlausrichtungen, sicheren Halt und Leichtgängigkeit beweglicher Teile, Beschädigungen von Teilen sowie auf jegliche andere Zustände, die sich auf den Betrieb des Elektrowerkzeugs auswirken können. Bei Beschädigungen lassen Sie das Elektrowerkzeug reparieren, bevor Sie es benutzen.** Viele Unfälle mit Elektrowerkzeugen sind auf schlechte Wartung zurückzuführen.
- **Halten Sie Schneidwerkzeuge scharf und sauber.** Ordnungsgemäß gewartete Schneidwerkzeuge mit scharfen Schneidkanten bleiben seltener hängen und sind einfacher zu bedienen.

- **Benutzen Sie Elektrowerkzeuge, Zubehör, Werkzeugeinsätze und Ähnliches in Übereinstimmung mit diesen Anweisungen und auf die für das jeweilige Elektrowerkzeug bestimmungsgemäße Weise, und beachten Sie dabei die jeweiligen Arbeitsbedingungen und die Art der auszuführenden Arbeiten.** Der Einsatz eines Elektrowerkzeugs für Zwecke, die von den hier angegebenen abweichen, kann zu Gefahrsituationen führen.
- **Halten Sie die Handgriffe und Griffflächen trocken, sauber und frei von Öl und Fett.** Wenn Handgriffe und Griffflächen rutschig sind, kann das Werkzeug in unerwarteten Situationen nicht sicher bedient und kontrolliert werden.

## Service

- **Lassen Sie das Elektrowerkzeug von einem qualifizierten Fachmann reparieren, und bestehen Sie darauf, dass nur Originalersatzteile verwendet werden.** Auf diese Weise wird dafür gesorgt, dass die Sicherheit des Elektrowerkzeugs nicht beeinträchtigt wird.

## Allgemeine Sicherheitshinweise



**WARNUNG:** Lesen Sie die folgenden Warnhinweise, bevor Sie das Gerät benutzen.

- Dieses Gerät ist ein gefährliches Werkzeug, wenn Sie nicht aufpassen oder es unsachgemäß verwenden. Dieses Gerät kann schwere oder tödliche Verletzungen des Bedieners oder anderer Personen verursachen. Es ist sehr wichtig, dass Sie vor der Anwendung des Geräts den Inhalt dieser Bedienungsanleitung gelesen und verstanden haben.
- Bewahren Sie alle Warn- und Sicherheitshinweise auf.
- Halten Sie alle geltenden Gesetze und Vorschriften ein.
- Der Bediener und dessen Arbeitgeber müssen die mit dem Betrieb des Geräts verbundenen Gefahren kennen und vermeiden.
- Untersagen Sie allen Personen die Benutzung des Geräts, bis diese den Inhalt der Bedienungsanleitung gelesen und verstanden haben.
- Verwenden Sie das Gerät nicht, ohne vorher dafür geschult worden zu sein. Stellen Sie sicher, dass alle Bediener Schulungen erhalten.
- Lassen Sie nicht zu, dass Kinder das Gerät verwenden.
- Es dürfen nur zugelassene Personen mit dem Gerät arbeiten.
- Der Bediener ist für Unfälle verantwortlich, die anderen Personen zustoßen oder an deren Eigentum entstehen.



- Verwenden Sie das Gerät nicht, wenn Sie müde oder krank sind oder unter Einfluss von Alkohol, Drogen oder Medikamenten stehen.
- Lassen Sie immer Vorsicht walten, und arbeiten Sie mit gesundem Menschenverstand.
- Dieses Gerät erzeugt beim Betrieb ein elektromagnetisches Feld. Dieses Feld kann sich unter bestimmten Bedingungen auf die Funktionsweise aktiver oder passiver medizinischer Implantate auswirken. Um die Gefahr von Situationen, die zu schweren oder tödlichen Verletzungen führen können, zu verringern, sollten Personen mit einem medizinischen Implantat vor der Nutzung dieses Gerätes mit ihrem Arzt und dem Hersteller des Implantats sprechen.
- Halten Sie das Gerät sauber. Stellen Sie sicher, dass Symbole und Aufkleber deutlich lesbar sind.
- Verwenden Sie das Gerät nicht, wenn es defekt ist.
- Nehmen Sie keine Modifikationen am Gerät vor.
- Bedienen Sie das Gerät nicht, wenn die Möglichkeit besteht, dass andere Personen Modifikationen daran durchgeführt haben.
- Achten Sie darauf, dass sich Kleidung, langes Haar und Schmuck nicht in beweglichen Teilen verfangen kann.
- Setzen Sie sich nicht auf das Gerät.
- Schlagen Sie nicht auf das Gerät.
- Stellen Sie sicher, dass Sie oder andere Personen im Arbeitsbereich nicht über Kabel, Schläuche und Wellen fallen oder sich darin verfangen können.
- Bevor Sie das Gerät in Betrieb nehmen überprüfen Sie, ob es versteckte Drähte, Elektrokabel oder andere Stromquellen gibt. Nehmen Sie das Gerät erst in Betrieb, wenn der Arbeitsbereich sicher ist.

## Vibrationen Sicherheit



**WARNUNG:** Lesen Sie die folgenden Warnhinweise, bevor Sie das Produkt benutzen.

- Beim Betrieb des Geräts kommt es zu Vibrationen, die vom Gerät auf den Anwender übertragen werden. Regelmäßiger und häufiger Betrieb des Geräts kann zu Verletzungen des Anwenders führen oder Symptome verstärken. Es kann zu Verletzungen an Fingern, Händen, Handgelenken, Armen, Schultern und/oder Nerven sowie bei der Blutversorgung oder an anderen Körperteilen kommen. Die Verletzungen können hinderlich und/oder chronisch werden und sich allmählich über Wochen, Monate oder Jahre hinweg verstärken. Zu möglichen Verletzungen können Schäden am Blutkreislauf, am Nervensystem, an Gelenken und anderen Körperteilen gehören.
- Symptome können während des Betriebs des Geräts oder zu einem anderen Zeitpunkt auftreten. Wenn Sie bereits Symptome haben und das Gerät weiter bedienen, können sich die Symptome verstärken oder chronisch werden. Wenn Sie diese oder andere Symptome an sich bemerken, wenden Sie sich an einen Arzt:
  - Taubheit, Gefühlsverlust, Kribbeln, Stechen, Schmerz, Brennen, Pochen, Steifheit, Schwerfälligkeit, Verlust von Kraft, Veränderungen an Hautfarbe oder Hautzustand.
- Bei niedrigen Temperaturen können sich die Symptome verstärken. Tragen Sie warme Kleidung und halten Sie Ihre Hände warm und trocken, wenn Sie das Gerät in kalten Umgebungen betreiben.
- Warten und betreiben Sie das Gerät gemäß den Anweisungen der Bedienungsanleitung, um einen vorschriftsmäßigen Vibrationspegel sicherzustellen.
- Das Gerät verfügt über ein Antivibrationssystem, das die Vibrationen an den Griffen für den Bediener reduziert. Lassen Sie das Gerät die Arbeit verrichten. Drücken Sie das Gerät nicht mit Kraft. Halten Sie das Produkt leicht an den Griffen fest, aber stellen Sie sicher, dass Sie es kontrollieren und sicher bedienen. Drücken Sie das Gerät nicht häufiger als nötig in die Endanschläge.

## Sicherheitshinweise für den Betrieb



**WARNUNG:** Lesen Sie die folgenden Warnhinweise, bevor Sie das Gerät verwenden.

- Stellen Sie sicher, dass Sie wissen, wie das Gerät in einem Notfall schnell gestoppt werden kann.
- Der Bediener muss über die erforderliche physische Kraft für den sicheren Betriebs des Geräts verfügen.
- Tragen Sie eine persönliche Schutzausrüstung. Siehe *Persönliche Schutzausrüstung auf Seite 33*.
- Stellen Sie sicher, dass sich nur befugte Personen im Arbeitsbereich befinden.
- Halten Sie den Arbeitsbereich sauber und hell.
- Achten Sie während der Arbeit auf eine sichere und stabile Position.
- Stellen Sie sicher, dass keine Gefahr besteht, dass Sie oder das Gerät aus einer höheren Position herunterfallen.
- Achten Sie darauf, dass sich auf dem Griff kein Fett oder Öl befindet.
- Verwenden Sie das Gerät nicht in Bereichen, in denen Feuer oder Explosionen auftreten können.
- Das Gerät kann Objekte mit hoher Geschwindigkeit auswerfen. Stellen Sie sicher, dass alle Personen im Arbeitsbereich zugelassene persönliche Schutzausrüstung tragen. Entfernen Sie lose Gegenstände aus dem Arbeitsbereich.
- Bevor Sie sich vom Gerät entfernen, deaktivieren Sie es und nehmen Sie es vom Strom.
- Kontrollieren Sie, ob die Netzspannung mit der auf dem Typenschild des Geräts angegebenen Spannung übereinstimmt.

- Platzieren Sie Ihre Hände nur auf dem Griff bzw. den Griffen. Halten Sie alle anderen Körperteile vom Gerät fern.
- Stoppen Sie das Gerät sofort, wenn plötzlich starke Vibrationen auftreten. Setzen Sie den Betrieb erst fort, wenn die Ursache für die gesteigerten Vibrationen beseitigt wurde.

## Staubtechnische Sicherheit



**WARNUNG:** Lesen Sie die folgenden Warnhinweise, bevor Sie das Gerät verwenden.

- Der Betrieb des Geräts kann Staub in der Luft verursachen. Staub kann ernsthafte Verletzungen und permanente Gesundheitsprobleme verursachen. Silikatstaub wurde von verschiedenen Behörden als schädlich eingestuft. Dies sind Beispiele für derartige Gesundheitsprobleme:
  - Die tödlichen Lungenkrankheiten chronische Bronchitis, Silikose und Lungenfibrose
  - Krebs
  - Angeborene Fehlbildungen
  - Hautentzündung
- Verwenden Sie eine angemessene Ausstattung, um die Menge von Staub und Dämpfen in der Luft und den Staub auf Arbeitsgeräten, Oberflächen, Kleidung und Körperteilen zu verringern. Beispiele dafür sind Staubsammelanlagen und Wassernebel zum Binden des Staubs. Reduzieren Sie den Staub an der Quelle, falls möglich. Stellen Sie sicher, dass die Ausstattung korrekt montiert ist und verwendet wird und dass sie regelmäßig gewartet wird.
- Tragen Sie einen zugelassenen Atemschutz. Stellen Sie sicher, dass der Atemschutz für die gefährlichen Materialien im Arbeitsbereich geeignet ist.
- Stellen Sie sicher, dass der Arbeitsbereich ausreichend belüftet ist.
- Falls möglich, richten Sie den Auspuff des Geräts dahin, wo er keinen Staub in der Luft verursachen kann.

## Lärm – Sicherheit



**WARNUNG:** Lesen Sie die folgenden Warnhinweise, bevor Sie das Gerät benutzen.

- Ein hoher Geräuschpegel und Lärmbelastung über einen langen Zeitraum können zu lärmbedingten Hörschäden führen.
- Um den Geräuschpegel auf einem Minimum zu halten, warten und betreiben Sie das Gerät gemäß den Anweisungen der Bedienungsanleitung.
- Tragen Sie einen zugelassenen Gehörschutz beim Arbeiten mit dem Gerät.
- Beachten Sie Warnsignale und Stimmen, wenn Sie einen Gehörschutz tragen. Entfernen Sie den

Gehörschutz, wenn das Gerät ausgeschaltet wird, es sei denn, er ist bei dem Geräuschpegel in Ihrem Arbeitsbereich erforderlich.

## Persönliche Schutzausrüstung



**WARNUNG:** Lesen Sie die folgenden Warnhinweise, bevor Sie das Gerät verwenden.

- Verwenden Sie stets die vorgeschriebene persönliche Schutzausrüstung bei der Bedienung des Geräts. Die persönliche Schutzausrüstung kann Verletzungen nicht vollständig vermeiden, vermindert aber den Umfang der Verletzungen und Schäden bei einem Unfall. Lassen Sie sich bei der Auswahl der korrekten persönlichen Schutzausrüstung von Ihrem Händler beraten.
- Überprüfen Sie regelmäßig den Zustand der persönlichen Schutzausrüstung.
- Verwenden Sie einen zugelassenen Schutzhelm.
- Tragen Sie einen zugelassenen Gehörschutz.
- Tragen Sie einen zugelassenen Atemschutz.
- Tragen Sie einen zugelassenen Augenschutz mit seitlicher Abschirmung.
- Tragen Sie stets Schutzhandschuhe.
- Tragen Sie Stiefel mit Stahlkappe und rutschfester Sohle.
- Tragen Sie zugelassene Arbeitskleidung oder gleichwertige, eng anliegende Kleidung mit langen Ärmeln und langen Hosenbeinen.

## Sicherheitshinweise für die Wartung



**WARNUNG:** Lesen Sie die folgenden Warnhinweise, bevor Sie das Gerät verwenden.

- Wenn die Wartung nicht ordnungsgemäß und regelmäßig erfolgt, erhöht sich die Verletzungsgefahr und das Risiko für eine Beschädigung des Geräts.
- Tragen Sie eine persönliche Schutzausrüstung. Siehe *Persönliche Schutzausrüstung auf Seite 33*.
- Reinigen Sie das Gerät und entfernen Sie gefährliches Material vor der Wartung.
- Trennen Sie das Gerät vom Netz, bevor Sie Wartungsarbeiten durchführen.
- Verändern Sie das Gerät nicht. Änderungen am Gerät, die vom Hersteller nicht genehmigt wurden, können zu schweren Verletzungen oder zum Tod führen.
- Verwenden Sie immer Originalersatzteile und Originalzubehör. Zubehör und Ersatzteile, die vom Hersteller nicht genehmigt wurden, können zu schweren Verletzungen oder zum Tod führen.
- Ersetzen Sie beschädigte, abgenutzte oder defekte Teile.

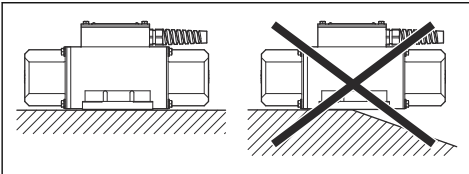
- Führen Sie nur Wartungsarbeiten durch, die gemäß dieser Betriebsanleitung vorgegeben sind. Lassen Sie alle anderen Wartungsarbeiten von einer autorisierten Servicewerkstatt durchführen.
- Ein erforderlicher Austausch des Netzkabels muss durch den Hersteller oder dessen Servicewerkstatt erfolgen, um Sicherheitsgefahren zu vermeiden.

- Führen Sie nach der Wartung eine Überprüfung des Vibrationswerts im Gerät durch. Wenn er nicht korrekt ist, wenden Sie sich an eine autorisierte Servicewerkstatt.
- Lassen Sie eine autorisierte Servicewerkstatt das Gerät regelmäßig warten.

## Installation

### So befestigen Sie das Gerät an der Betonform

1. Vergewissern Sie sich, dass die Oberfläche der Betonform flach, sauber und unlackiert ist.



2. Vergewissern Sie sich, dass die Betonform starr ist. Sollte die Betonform nicht ausreichend starr sein, muss sie mit einer geschweißten Platte verstärkt werden.
3. Befestigen Sie das Gerät mit Schrauben oder Halterungen an der Betonform oder an der geschweißten Platte. Siehe *So befestigen Sie das Gerät mit Schrauben auf Seite 34* und *So befestigen Sie das Gerät mit Halterungen auf Seite 34*.

### So befestigen Sie das Gerät mit Schrauben

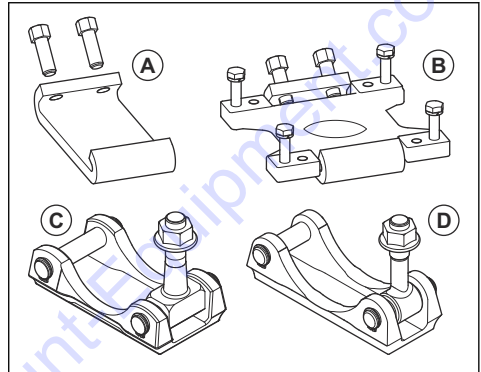
1. Befestigen Sie das Gerät direkt an der Betonform oder an der Montageplatte, die an die Betonform angeschweißt ist. Ziehen Sie die Schrauben mit dem vorgeschriebenen Drehmoment an. Siehe *Anziehmoment auf Seite 47*.



**ACHTUNG:** Vergewissern Sie sich, dass es sich bei den Schrauben um Sicherungsschrauben aus hochfestem Stahl handelt. Die Schrauben müssen der Festigkeitsklasse 8,8 oder 10,9 entsprechen.

2. Prüfen Sie das Anziehmoment nach den ersten 30 Betriebsminuten und dann alle 100 Betriebsstunden.

### So befestigen Sie das Gerät mit Halterungen



Halterung	Auftragsnummer	Normalfrequenz (3000 U/min 50 Hz und 3600 U/min 60 Hz)
A	594367701	ER 305. Die Halterung muss mit der Konstruktion verschweißt werden.
B	597267501	ER 405 und ER 505. Der Halterungssatz enthält eine Halterung (A), eine Montageplatte und einen Satz Schrauben. Die Halterung muss mit der Konstruktion verschweißt werden. Montieren Sie die Montageplatte an der Halterung. Befestigen Sie das Gerät an der Montageplatte.

Halterung	Auftragsnummer	Hochfrequenz (5400 U/min 60 Hz und 6000 U/min 50 Hz)
C	597157201	ER 207B. Die Halterung muss mit der Konstruktion verschweißt werden.

<b>Halte- ung</b>	<b>Auftragsnum- mer</b>	<b>Hochfrequenz (5400 U/min 60 Hz und 6000 U/min 50 Hz)</b>
D	597157101	ER 407B und ER 507B. Die Halterung muss mit der Konstruktion versch- weißt werden.

## Betrieb

### Einleitung



**WARNUNG:** Lesen Sie vor Gebrauch des Geräts das Kapitel über Sicherheit, und machen Sie sich damit vertraut.

### Bevor Sie das Gerät bedienen

- Lesen Sie die Betriebsanleitung sorgfältig durch, und stellen Sie sicher, dass Sie die Anweisungen verstehen.
- Führen Sie die tägliche Wartung durch. Siehe *Wartungsplan auf Seite 39*.

### Zentrifugalkraft ER 105

Die Zentrifugalkraft ist nicht einstellbar für ER 105.

Typ, 3000 U/min, 50 Hz	Zentrifugalkraft, N
ER 105	500

Typ, 3600 U/min, 60 Hz	Zentrifugalkraft, lbs
ER 105	118

### So stellen Sie die Zentrifugalkraft ein ER 205

1. Entfernen Sie die Schrauben und Scheiben, mit denen die Endabdeckungen befestigt sind. Siehe *So demonstrieren Sie das Gerät auf Seite 39*.
2. Entfernen Sie die Endabdeckungen.
3. Entfernen Sie die Schrauben und Scheiben von beiden Enden des Rotors.
4. Entfernen Sie die Exzentergewichte von der Welle und drehen Sie sie zum Einstellen der Zentrifugalkraft um 180 Grad. Siehe *Einstellung der Exzentergewichte für ER 205, 50 Hz auf Seite 35* und *Einstellung der Exzentergewichte für ER 205, 60 Hz auf Seite 35*.

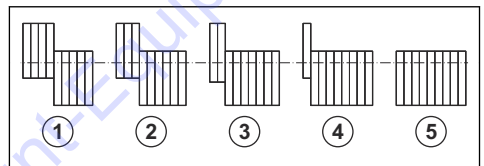


**ACHTUNG:** Nehmen Sie die Einstellungen an jedem Ende des Rotors vor.

**Hinweis:** Die Positionen der Exzentergewichte sind ebenfalls auf der Innenseite der Abdeckung der Exzentergewichte zu finden. Werksseitig sind die Geräte auf Position 4 eingestellt.

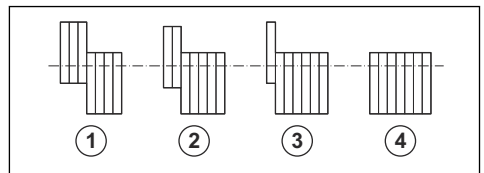
5. Montieren Sie das Gerät. Siehe *So montieren Sie das Gerät auf Seite 40*.

### Einstellung der Exzentergewichte für ER 205, 50 Hz



Typ, 3000 U/min	Zentrifugalkraft, N				
ER 205	155	470	780	1100	1.400
Position	1	2	3	4	5

### Einstellung der Exzentergewichte für ER 205, 60 Hz



Typ, 3600 U/min	Zentrifugalkraft, lbs			
ER 205	48	144	240	336
Position	1	2	3	4

## So stellen Sie die Zentrifugalkraft ER 305, ER 405 und ER 505 ein

1. Entfernen Sie die Schrauben und Scheiben, mit denen die Endabdeckungen befestigt sind. Siehe *So demontieren Sie das Gerät auf Seite 39*.
2. Entfernen Sie die Endabdeckungen.
3. Entfernen Sie die Schrauben und Scheiben von beiden Enden des Rotors.
4. Entfernen Sie die Exzentergewichte von der Welle und drehen Sie sie zum Einstellen der Zentrifugalkraft um 180 Grad. Siehe *Einstellung der Exzentergewichte für ER 305, ER 405 und ER 505, 50 Hz auf Seite 36* und *Einstellung der Exzentergewichte für ER 305, ER 405 und ER 505, 60 Hz auf Seite 36*.

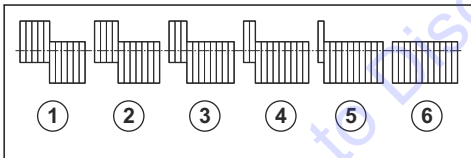


**ACHTUNG:** Nehmen Sie die Einstellungen an jedem Ende des Rotors vor.

**Hinweis:** Die Positionen der Exzentergewichte sind ebenfalls auf der Innenseite der Abdeckung der Exzentergewichte zu finden. Werksseitig sind die Geräte auf Position 4 eingestellt.

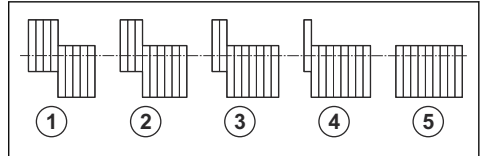
5. Montieren Sie das Gerät. Siehe *So montieren Sie das Gerät auf Seite 40*.

## Einstellung der Exzentergewichte für ER 305, ER 405 und ER 505, 50 Hz



Typ, 3000 U/min	Zentrifugalkraft, N					
ER 305	300	840	1380	1920	2460	3.000
ER 405	540	1630	2730	3820	4910	6000
ER 505	700	2040	3380	4720	6060	7.400
Position	1	2	3	4	5	6

## Einstellung der Exzentergewichte für ER 305, ER 405 und ER 505, 60 Hz



Typ, 3600 U/min	Zentrifugalkraft, lbs				
ER 405	170	505	840	1175	1510
Position	1	2	3	4	5

## So stellen Sie die Zentrifugalkraft ER 605 und ER 705 ein

1. Entfernen Sie die Schrauben und Scheiben, mit denen die Endabdeckungen befestigt sind. Siehe *So demontieren Sie das Gerät auf Seite 39*.
2. Entfernen Sie die Endabdeckungen.
3. Entfernen Sie die Schrauben und Scheiben von beiden Enden des Rotors.
4. Lösen Sie die Schraube, mit der das bewegliche Exzentergewicht am befestigten Exzentergewicht angebracht ist. Bewegen Sie das bewegliche Exzentergewicht zum Einstellen der Zentrifugalkraft und ziehen Sie die Schraube fest. Siehe *Einstellung der Exzentergewichte für ER 605 und ER 705, 50 Hz auf Seite 36* und *Einstellung der Exzentergewichte für ER 605 und ER 705, 60 Hz auf Seite 37*.

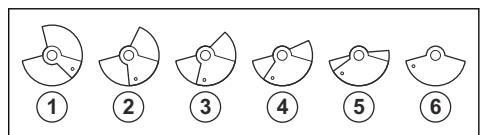


**ACHTUNG:** Nehmen Sie die Einstellungen an jedem Ende des Rotors vor.

**Hinweis:** Die Positionen der Exzentergewichte sind ebenfalls auf der Innenseite der Abdeckung der Exzentergewichte zu finden. Werksseitig sind die Geräte auf Position 4 eingestellt.

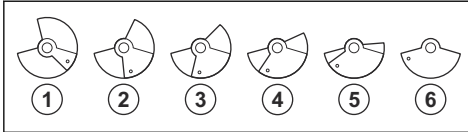
5. Montieren Sie das Gerät. Siehe *So montieren Sie das Gerät auf Seite 40*.

## Einstellung der Exzentergewichte für ER 605 und ER 705, 50 Hz



Typ, 3000 U /min	Zentrifugalkraft, N					
ER 605	4500	6000	7500	9.000	10500	12000
ER 705	6000	8000	10.00 0	12000	14000	16000
Position	1	2	3	4	5	6

### Einstellung der Exzentergewichte für ER 605 und ER 705, 60 Hz



Typ, 3600 U/min	Zentrifugalkraft, lbs					
ER 605	1012	1350	1687	2025	2362	2.70 0
ER 705	1435	1913	2391	2869	3347	3825
Position	1	2	3	4	5	6

### So stellen Sie die Zentrifugalkraft ER 207B, ER 407B und ER 507B ein

- Entfernen Sie die Schrauben und Scheiben, mit denen die Endabdeckungen befestigt sind. Siehe *So demontieren Sie das Gerät auf Seite 39*.
- Entfernen Sie die Endabdeckungen.
- Entfernen Sie die Schrauben und Scheiben von beiden Enden des Rotors.
- Entfernen Sie die Exzentergewichte von der Welle und drehen Sie sie zum Einstellen der Zentrifugalkraft um 180 Grad. Siehe *Einstellung der Exzentergewichte für ER 207B, ER 407B und ER 507B, 200 Hz auf Seite 37* und *Einstellung der Exzentergewichte für ER 207B, ER 407B und ER 507B, 180 Hz auf Seite 37*.

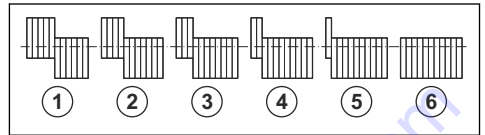


**ACHTUNG:** Nehmen Sie die Einstellungen an jedem Ende des Rotors vor.

**Hinweis:** Die Positionen der Exzentergewichte sind ebenfalls auf der Innenseite der Abdeckung der Exzentergewichte zu finden. Werkseitig sind die Geräte auf Position 4 eingestellt.

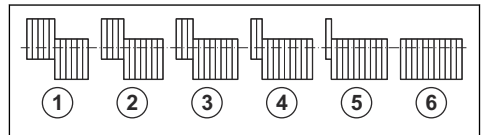
- Montieren Sie das Gerät. Siehe *So montieren Sie das Gerät auf Seite 40*.

### Einstellung der Exzentergewichte für ER 207B, ER 407B und ER 507B, 200 Hz



Typ, 6000 U/ min	Zentrifugalkraft, N					
ER 207B	700	2040	3380	4720	6050	7.400
ER 407B	1.00 0	3.00 0	5000	7000	9.000	11.00 0
ER 507B	1460	4380	7300	10220	13080	16000
Position	1	2	3	4	5	6

### Einstellung der Exzentergewichte für ER 207B, ER 407B und ER 507B, 180 Hz



Typ, 5400 U/m in	Zentrifugalkraft, lbs					
ER 207B	120	365	610	855	1100	1345
ER 407B	180	540	540	1260	1620	1980
ER 507B	270	810	1350	1890	2430	2970
Position	1	2	3	4	5	6

### So kehren Sie den Vibrationswert um

- Ändern Sie die Anordnung der PhasendrÄhte im Stromversorgungskabel. Siehe *Schaltpläne auf Seite 49*.

**Hinweis:** Eine Tabelle mit den richtigen Verbindungen befindet sich im Klemmenkasten.

## So prüfen Sie die Funktion vor dem Betrieb

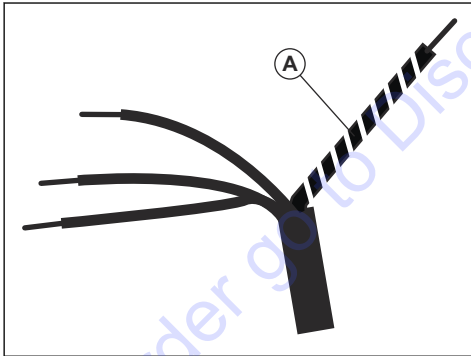
1. Montieren Sie das Gerät. Siehe *So montieren Sie das Gerät auf Seite 40*.
2. Achten Sie darauf, dass das Gerät korrekt montiert ist. Vergewissern Sie sich, dass sich die Rotorwelle frei dreht und nicht lose ist.
3. Prüfen Sie die Motorisolierung gegen Masse. Verwenden Sie ein Multimeter bei 2,2 kV für 5 Sekunden.
4. Stellen Sie sicher, dass das Gerät an die richtige Spannung angeschlossen ist. Siehe *Technische Daten auf Seite 45*.
5. Prüfen Sie mit einem Multimeter, dass der Strom nicht höher ist als der auf dem Typenschild angegebene Wert.

## So schließen Sie das Gerät an die Stromversorgung an



**WARNUNG:** Verwenden Sie nur zulässige Steckdosen und Verlängerungskabel mit zulässigen Steckern.

1. Schließen Sie das Gerät mit einem Kabel des Typs HO7RN-F mit einem gelben und grünen Massekabel (A) an das Netzteil an. Achten Sie darauf, dass keine Spannung oder Reibung entsteht.



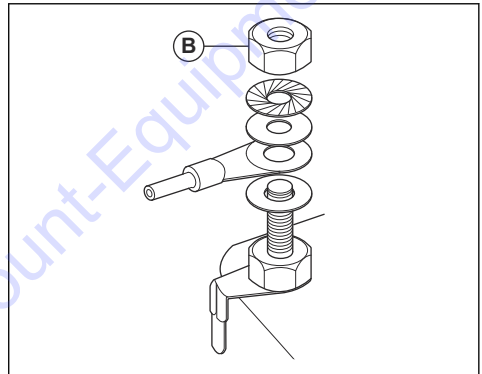
**Hinweis:** ER 207B, ER 407B und ER 507B verfügen über ein 0,6 m/1,9 ft langes Anschlusskabel, das mit

einem Stecker verbunden ist. Der Kabeltyp ist A07RNF 3 x 2,5 mm<sup>2</sup>.

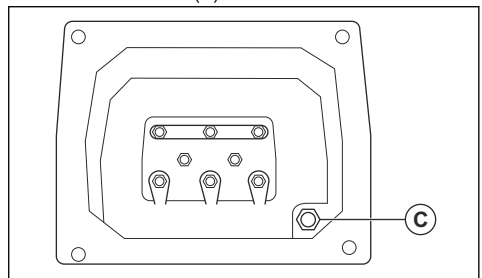


**WARNUNG:** Vergewissern Sie sich, dass die Verbindungen der Anschlussstiften des Anschlusskastens mit den Anweisungen für den „elektrischen Anschluss“ auf dem Etikett übereinstimmt.

2. Vergewissern Sie sich, dass die Abmessungen des Anschlusskabels mit dem auf dem Typenschild angegebenen Wert übereinstimmen. Halten Sie das Anschlusskabel kurz. Lange Kabel können zu einem Spannungsabfall führen.
3. Platzieren Sie die Scheiben an den korrekten Stellen. Ziehen Sie die Muttern (B) an den Anschlussstiften mit dem korrekten Drehmoment fest. Siehe *Anziehmoment auf Seite 47*.



4. Befestigen Sie das Massekabel mit einer korrosionsbeständigen Schraube an der Anschlussklemme (C) im Anschlusskasten.



5. Bringen Sie die Abdeckung des Anschlusskastens fest an.

# Wartung

## Einleitung



**WARNUNG:** Lesen Sie vor dem Warten des Geräts das Kapitel über Sicherheit, und machen Sie sich damit vertraut.

## Wartungsplan

Wartung	Vor jedem Gebrauch, alle 10Std.	Alle 2 Wochen, 75Std.	Alle 4 Wochen, 100Std.
Das Gerät reinigen.	X		
Schmieren Sie die Lager.	Siehe <i>Lagerschmierung auf Seite 47.</i>		
Überprüfen der Lager. Ersetzen von verschlissenen oder beschädigten Lagern.		X	
Die Lager ersetzen.			X

## So reinigen Sie das Gerät



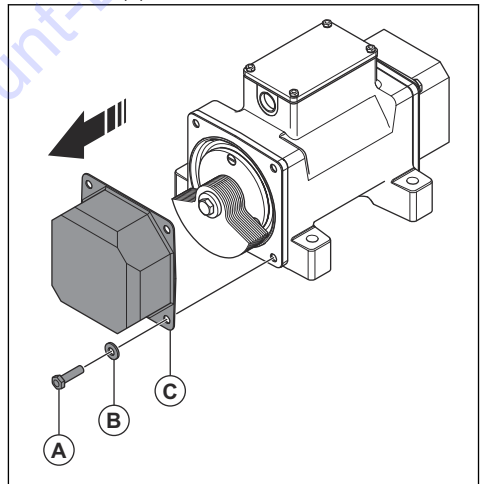
**ACHTUNG:** Reinigen Sie das Gerät nicht mit einem Hochdruckreiniger.

- Verwenden Sie fließendes Wasser aus einem Schlauch, um das Gerät zu reinigen.
- Entfernen Sie nach jeder Nutzung den Beton von der Oberfläche des Geräts, bevor er hart wird.

## So demontieren Sie das Gerät

**Hinweis:** Diese Anleitung entspricht einer allgemeinen Vorgehensweise. Die Vorgehensweise unterscheidet sich geringfügig bei den einzelnen Geräten.

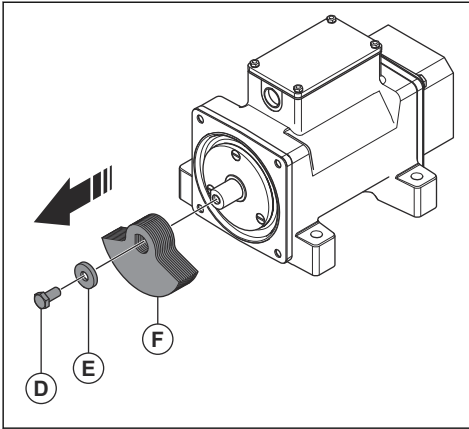
1. Entfernen Sie die Schrauben (A) und die Scheiben (B).



2. Entfernen Sie die Endabdeckung (C).



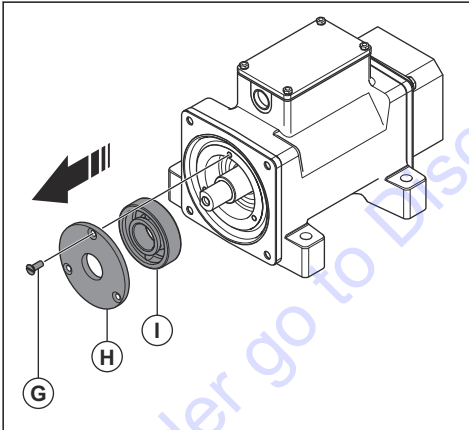
3. Entfernen Sie die Schraube (D) und die Scheibe (E).



4. Entfernen Sie die Exzentergewichte (F).

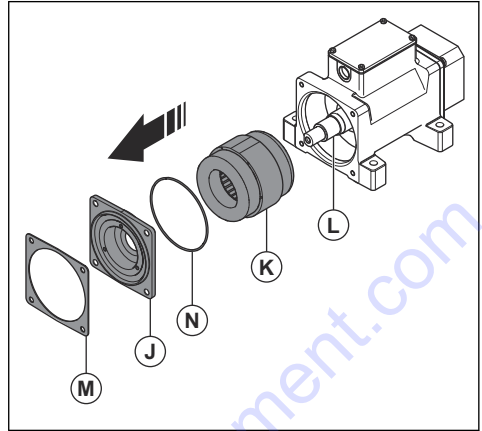
**Hinweis:** Notieren Sie sich die Positionen der Exzentergewichte.

5. Entfernen Sie die Schrauben (G) und die Lagerabdeckung (H).



6. Entfernen Sie das Lager (I).

7. Entfernen Sie die Lagerhalterung (J) und den Stator (K).

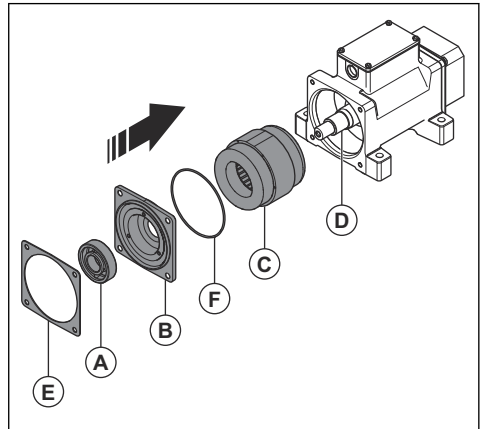


**ACHTUNG:** Vergewissern Sie sich, dass die Wicklungen im Rotor (L) nicht beschädigt sind. Vergewissern Sie sich, dass die Dichtung (M) und der O-Ring (N) nicht beschädigt sind.

## So montieren Sie das Gerät

**Hinweis:** Diese Anleitung entspricht einer allgemeinen Vorgehensweise. Die Vorgehensweise unterscheidet sich geringfügig bei den einzelnen Geräten.

1. Reinigen Sie das Lager mit Kraftstoff und füllen Sie es mit der vorgeschriebenen Schmierfettart und -menge. Siehe *Lagerschmierung auf Seite 47*.
2. Drücken Sie das Lager (A) mit einer Lagerpresse oder einem Gummihammer in den Lagerhalterung (B).

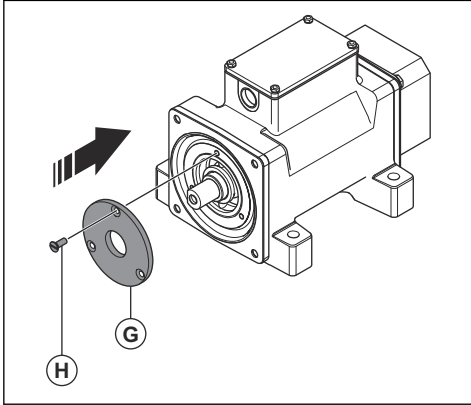


3. Setzen Sie den Stator (C) in die Lagerhalterung ein. Setzen Sie den Stator und die Lagerhalterung in das Gehäuse ein.

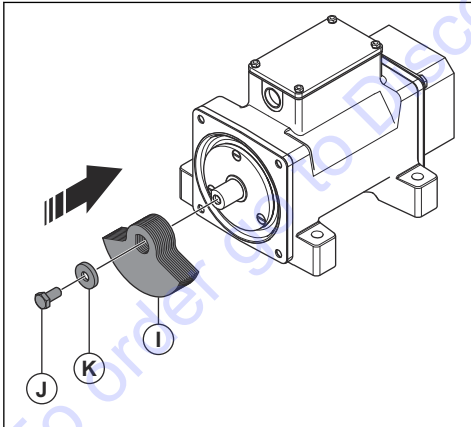


**ACHTUNG:** Vergewissern Sie sich, dass die Wicklungen am Rotor (D) nicht beschädigt sind. Vergewissern Sie sich, dass die Dichtung (E) und der O-Ring (F) nicht beschädigt sind.

4. Montieren Sie die Lagerabdeckung (G) mit den Schrauben (H).

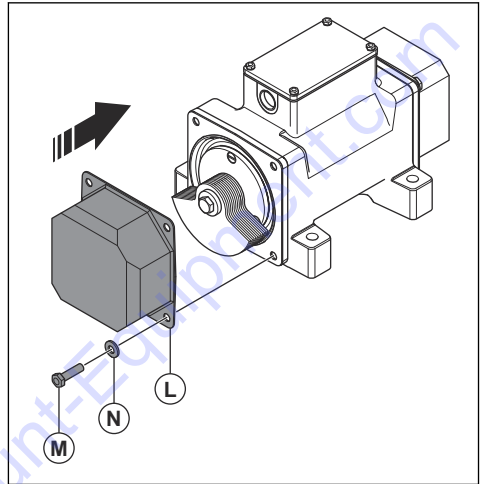


5. Montieren Sie die Exzentergewichte (I) mit der Schraube (J) und der Scheibe (K).



**Hinweis:** Verwenden Sie die Notiz, die Sie erstellt haben, um die Exzentergewichte an die richtigen Positionen zu setzen. Siehe *So demontieren Sie das Gerät auf Seite 39*.

6. Montieren Sie die Endabdeckung (L) mit den Schrauben (M) und den Scheiben (N). Ziehen Sie die Schrauben mit dem vorgeschriebenen Drehmoment an. Siehe *Anziehmoment auf Seite 47*.



## Fehlersuche

Problem	Ursache	Prüfung	Lösung
Das Gerät springt nicht an.	Das Netzkabel oder der Netzstecker ist defekt.	N/A	Das Netzkabel oder den Netzstecker ersetzen.
	Der elektrische Anschluss im Anschlusskasten ist fehlerhaft.	Den elektrischen Anschluss im Anschlusskasten überprüfen.	Den Anschluss ändern.
	Das Gerät arbeitet mit 2 Phasen, nicht mit 3.	Den Widerstand der 3 Phasen des Stators überprüfen.	Ersetzen Sie beschädigte Teile.
	Der FI-Schalter löst aus.	Den Widerstand des Stators und die Erdungsisolierung des Geräts überprüfen.	Ersetzen Sie beschädigte Teile.
	Das Gerät ist defekt.	Das Gerät auf mechanische Reibung oder Blockaden überprüfen.	Ersetzen Sie beschädigte Teile.
Der Motorschutzschalter löst aus.	Der Typ oder die Einstellung des Motorschutzschalters ist fehlerhaft.	Überprüfen Sie die Informationen auf dem Typenschild des Geräts. Sicherstellen, dass der Motorschutzschalter dem richtigen Typ entspricht.	Den Motorschutzschalter ersetzen.
	Der Spannung ist nicht korrekt.	Die Spannung des Netzteils überprüfen.	Die Spannung des Netzteils einstellen.
	Das Netzteil oder der Frequenzwandler ist nicht ausreichend mit Strom versorgt.	N/A	Sicherstellen, dass das Netzteil und der Frequenzwandler ausreichend mit Strom versorgt werden.
	Das Gerät verbraucht zu viel Strom.	Überprüfen, ob die Betonform ausreichend starr ist.	Die Struktur der Betonform verstärken.
		Überprüfen, ob sich die Betonform bewegt.	Die Abmessungen der Betonform ändern.
		Überprüfen, ob sich zu viel Schmierfett in den Rollenlagern befindet.	Die richtige Schmierfettmenge in die Rollenlager geben.
		Überprüfen, ob die Lager defekt sind.	Die Lager ersetzen.

Problem	Ursache	Prüfung	Lösung
Das Gerät läuft mit zu niedriger Geschwindigkeit.	Die Verbindung ist nicht korrekt.	N/A	Die Verbindung muss auf die Spannung eingestellt sein.
	Der Frequenz ist nicht korrekt.	N/A	Das Hochfrequenzgerät an einen Frequenzwandler anschließen.
			Das Gerät mit Niederfrequenz an die richtige Stromquelle mit der richtigen Frequenz anschließen.
	Zu viel Reibung in den Lagern.	Überprüfen, ob sich zu viel Schmierfett in den Rollenlagern befindet.	Die richtige Schmierfettmenge in die Rollenlager geben.
Überprüfen, ob die Lager defekt sind.		Die Lager ersetzen.	
Der Geräuschpegel ist zu hoch.	Die Lager sind defekt.	N/A	Die Lager ersetzen.
Die Vibrationen des Betons sind nicht konstant.	Die Zentrifugalkraft ist zu gering.	N/A	Die Zentrifugalkraft einstellen.
	Das Gerät ist nicht korrekt angebracht.	N/A	Die Halterungen korrekt an der Betonform befestigen.
			Das Gerät mit den richtigen Schrauben an den Halterungen befestigen.
	Die Anzahl der verwendeten Geräte reicht nicht aus.	N/A	Geräte hinzufügen, wo Vibrationen zu gering sind.
Es wird nicht das richtige Gerät verwendet.	N/A	Hochfrequenzgeräte an einer vertikalen Betonform befestigen.	
		Geräte mit niedriger Frequenz an einer horizontalen Betonform befestigen.	
Der Strom ist zu hoch.	Die Arbeitstemperatur ist zu niedrig.	N/A	Die Zentrifugalkraft reduzieren, bis die Temperatur steigt.
	Es besteht eine Interferenz zwischen Geräten.	N/A	Die Positionen der Geräte einstellen.
	Das Gerät ist nicht korrekt angebracht.	N/A	Die Halterungen korrekt an der Betonform befestigen.
			Das Gerät mit den richtigen Schrauben an den Halterungen befestigen.
	Die Zentrifugalkraft ist zu hoch.	N/A	Die Zentrifugalkraft einstellen.
	Das Gerät ist zu klein für die Aufgabe.	N/A	Das Gerät ersetzen.

## Transport

Setzen Sie das Gerät auf einer Palette und transportieren Sie es mit einem Gabelstapler.

## Lagerung

- Reinigen Sie das Gerät vor der Lagerung.
- Bewahren Sie das Gerät in einem trockenen und frostfreien Raum auf.
- Bewahren Sie das Gerät in einem verschlossenen Bereich auf, um den unbefugten Zugriff durch Kinder oder andere Personen zu verhindern.

## So entsorgen Sie das Gerät

- Befolgen Sie die örtlichen Recyclinganforderungen und geltenden Vorschriften.
- Wenn Sie das Produkt nicht mehr benutzen, senden Sie es an einen Händler oder entsorgen Sie es bei einer Recyclingstelle.

## Technische Daten

### Technische Daten ER 105, ER 205, ER 305, ER 405, ER 505, ER 605, ER 705

Typ	ER 105	ER 205	ER 305	ER 405	ER 505	ER 605	ER 705
Frequenz, U/min	3.000						
Standardspannung, V	240/400						
Phasen	3						
Frequenz, Hz	50						
Eingangsleistung, W	40	90	220	550	750	1150	1.500
Stromstärke in A	0,16/0,09	0,30/0,18	0,68/0,39	1,80/1,09	2,30/1,33	3,30/1,90	4,20/2,50

Typ	ER 105	ER 205	ER 305	ER 405	ER 505	ER 605	ER 705
Frequenz, U/min	3600						
Standardspannung, V	230/460 bzw. 220/380						
Phasen	3						
Frequenz, Hz	60						
Eingangsleistung, W	40	90	220	550	750	1150	1.500
Stromstärke in A	0,16/0,08 oder 0,16/0,06	0,30/0,15 oder 0,30/0,12	0,60/0,30 oder 0,60/0,24	1,76/0,88 oder 1,76/0,70	2,00/1,00 oder 2,00/0,85	3,16/1,58 oder 3,16/1,26	4,16/2,08 oder 4,16/1,70

Typ	ER 105	ER 205	ER 305	ER 405	ER 505	ER 605	ER 705
Gewicht, kg/lbs	2,70/5,90	4,30/9,50	11,00/24,20	20,00/44,10	22,00/48,50	44,60/98,30	46,80/103,20
Befestigungsschrauben	2 x M10	2 x M10	4 x M12	4 x M12	4 x M12	4 x M16	4 x M16
<b>Geräuschemissionen</b>							
Schalldruckpegel $L_p$ am Ohr des Bedieners, dB (A) <sup>3</sup>	55,0	56,0	57,0	57,0	57,5	61,0	63,0

<sup>3</sup> Geräuschpegel gemessen in Luft in 1 m Entfernung vom Gerät gemäß EN ISO 6081. Unsicherheit: ± 3 dB

## Technische Daten ER 207B, ER 407B, ER 507B

Typ	ER 207B	ER 407B	ER 507B
Frequenz, U/min	6000		
Standardspannung, V	42		
Phasen	3		
Frequenz, Hz	200		
Eingangsleistung, W	680	1.000	1.500
Stromstärke in A	12,50	16,50	23,50

Typ	ER 207B	ER 407B	ER 507B
Frequenz, U/min	5400		
Standardspannung, V	42		
Phasen	3		
Frequenz, Hz	180		
Eingangsleistung, W	705	1.000	1.500
Stromstärke in A	13,00	15,80	23,50

Typ	ER 207B	ER 407B	ER 507B
Gewicht, kg/lbs	10,50/23,15	15,50/34,18	23,20/51,16
<b>Geräuschemissionen</b>			
Schalldruckpegel $L_p$ am Ohr des Bedieners, dB (A) <sup>4</sup>	91,3	95,6	97,6

### Konformitätserklärung für Geräusche und Vibrationen

Diese erklärten Werte wurden in Laborversuchen in Übereinstimmung mit der aufgeführten Richtlinie oder Norm ermittelt und eignen sich für einen Vergleich mit Wertdeklarationen anderer Produkte, die nach der gleichen Richtlinie bzw. Norm geprüft wurden. Diese Wertdeklarationen eignen sich nicht zur Verwendung in Risikobewertungen, zudem können die an einzelnen Arbeitsplätzen gemessenen Werte höher sein. Die tatsächlichen Belastungswerte und das Gefährdungsrisiko eines individuellen Benutzers sind immer spezifisch und davon abhängig, wie der Benutzer arbeitet, in welchem Material das Produkt eingesetzt

wird, sowie von der Belastungszeit, dem Gesundheitszustand des Benutzers und dem Gerätezustand.

<sup>4</sup> Geräuschpegel gemessen in Luft in 1 m Entfernung vom Gerät gemäß EN ISO 6081. Unsicherheit:  $\pm 3$  dB

## Lagerschmierung

Typ	ER 105, ER 205	ER 405, ER 505	ER 305, ER 207B	ER 605, ER 705	ER 407B	ER 507B
Lagertyp	6201.ZZ.QE6	6305.ZZ	6306	6408	NJ2304	NJ2306
SKF-Suffix	N/A	C3	C3	C3	ECP.C3	ECP.C3
FAG-Suffix	N/A	C3	C3	C3	N/A	N/A
Schmierfettmenge, g/lbs	N/A	N/A	10/0,02	25/0,05	2/0,004	3/0,006
Schmierintervall, Betriebsstunden	Schmierung ist nicht erforderlich.	Schmierung ist nicht erforderlich.	2.000	2.000	2.000	2.000
Schmierfetttyp	N/A	N/A	TRIBOL 3030/100 mit T.G.O.A.	TRIBOL 3030/100 mit T.G.O.A.	TRIBOL 3030/100 mit T.G.O.A.	TRIBOL 3030/100 mit T.G.O.A.

## Anziehmoment

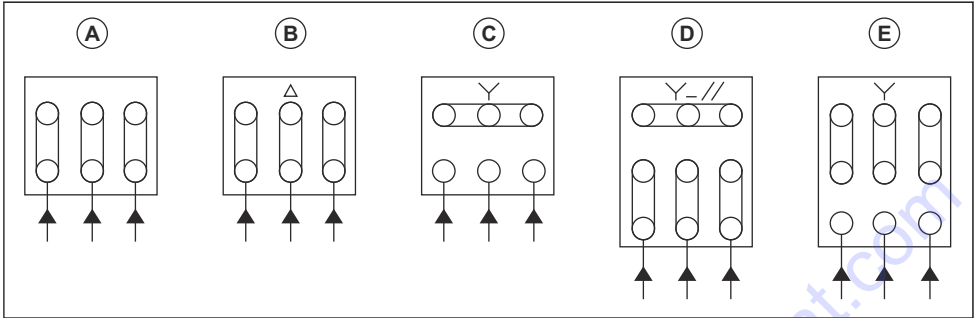
Typ	Anziehmoment, Nm/ft lb	
	Sicherungsschraube	Mutter des Klemmenblocks
M4	3,92/2,9	1,17/0,87
M5	6,37/4,8	1,96/1,45
M6	9,80/7,0	2,94/2,17
M8	22,55/16,6	6,37/4,7
M10	47,07/34,7	N/A
M12	78,45/58,0	N/A
M14	127,48/94,00	N/A
M16	186,32/137,00	N/A
M18	264,77/195,00	N/A
M20	372,65/275,00	N/A
M22	549,17/411,00	N/A
M24	696,27/513,00	N/A
M27	980,65/720,00	N/A
M30	1274,86/940,00	N/A



## Stromversorgung

	3000 U/min, 50 Hz	6000 U/min, 50 Hz	3600 U/min, 60 Hz	5400 U/min, 60 Hz
Schutzgrad	IP 65			
Motorisolierung, Klasse/°C/°F	F/155/310			
Umgebungstemperatur, °C/°F	-10 bis +40/14 bis 104			
Spannung	230/460 V-3-50 Hz	42 bis 48 V-3-200 Hz, Versorgung des Frequenzwandlers	230/460 V-3-60 Hz 220/380 V-3-60 Hz	42 bis 48 V-3-180 Hz, Versorgung des Frequenzwandlers
Spannungsgenauigkeit, %	±5	N/A	±5	N/A
Frequenzgenauigkeit, %	±1	N/A	±1	N/A

# Schaltpläne



	Typ	Spannung, V	Phasen	Frequenz, Hz
A	2	500	3	50
A	2	600	3	60
B	0	230	3	50
B	1	220	3	60
B	6	240	3	50
B	7	230	3	60
B	8	280	3	60
C	0	400	3	50
C	1	380	3	60
C	6	415	3	50
C	7	400	3	60
C	8	480	3	60
D	3	220	3	60
D	4	230	3	60
E	3	440	3	60
E	4	460	3	60

**TO PURCHASE THIS PRODUCT PLEASE CONTACT US**



**Equipment Financing and  
Extended Warranties Available**



**Discount-Equipment.com is your online resource for  
commercial and industrial quality parts and equipment sales.**

**561-964-4949**

**visit us on line @ [www.discount-equipment.com](http://www.discount-equipment.com)**

Select an option below to find your Equipment

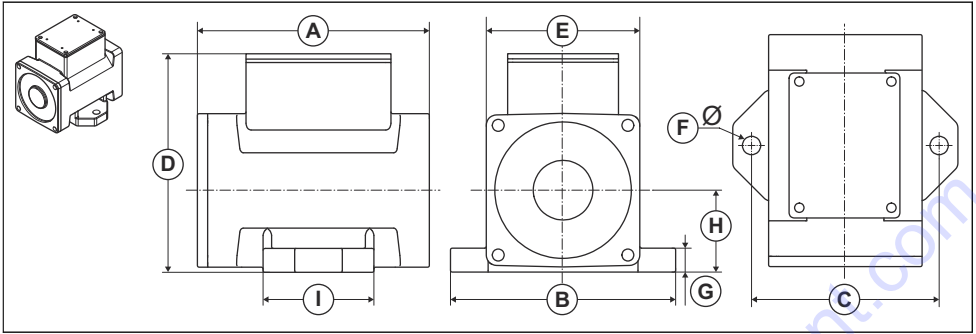
**Search by Manufacturer**

**Search by Product Type**

**Request a Quote**

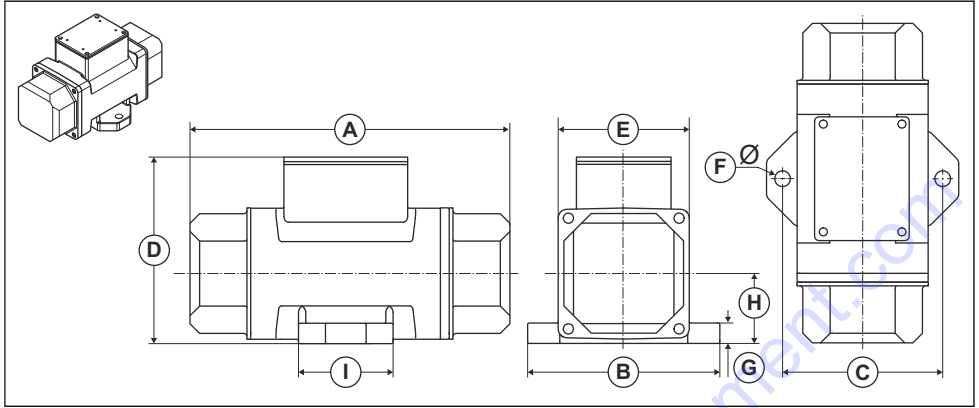
We sell worldwide for the brands: Genie, Terex, JLG, MultiQuip, Mikasa, Essick, Whiteman, Mayco, Toro Stone, Diamond Products, Generac Magnum, Airman, Haulotte, Barreto, Power Blanket, Nifty Lift, Atlas Copco, Chicago Pneumatic, Allmand, Miller Curber, Skyjack, Lull, Skytrak, Tsurumi, Husquvarna Target, Stow, Wacker, Sakai, Mi-T-M, Sullair, Basic, Dynapac, MBW, Weber, Bartell, Bennar Newman, Haulotte, Ditch Runner, Menegotti, Morrison, Contec, Buddy, Crown, Edco, Wyco, Bomag, Laymor, EZ Trench, Bil-Jax, F.S. Curtis, Gehl Pavers, Heli, Honda, ICS/PowerGrit, IHI, Partner, Imer, Clipper, MMD, Koshin, Rice, CH&E, General Equipment, Amida, Coleman, NAC, Gradall, Square Shooter, Kent, Stanley, Tamco, Toku, Hatz, Kohler, Robin, Wisconsin, Northrock, Oztec, Toker TK, Rol-Air, APT, Wylie, Ingersoll Rand / Doosan, Innovatech, Con X, Ammann, Mecalac, Makinex, Smith Surface Prep, Small Line, Wanco, Yanmar

## Geräteabmessungen ER 105



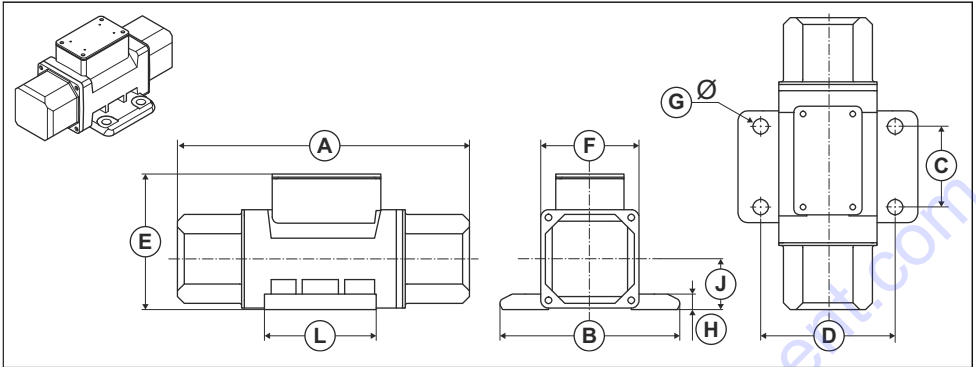
Typ	ER 105
A, mm/Zoll	141/5,5
B, mm/Zoll	132/5,2
C, mm/Zoll	110/4,3
D, mm/Zoll	132/5,2
E, mm/Zoll	90/3,5
F, mm/Zoll	11/0,4
G, mm/Zoll	14/0,5
H, mm/Zoll	48
I, mm/Zoll	65/2,5

## Geräteabmessungen ER 205



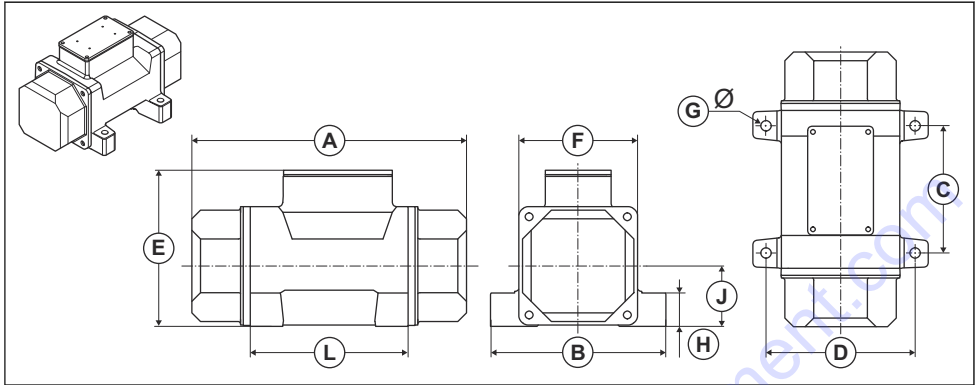
Typ	ER 205
A, mm/Zoll	216/8,5
B, mm/Zoll	132/5,2
C, mm/Zoll	110/4,3
D, mm/Zoll	132/5,2
E, mm/Zoll	90/3,5
F, mm/Zoll	11/0,4
G, mm/Zoll	14/0,5
H, mm/Zoll	48
I, mm/Zoll	65/2,5

## Geräteabmessungen ER 305



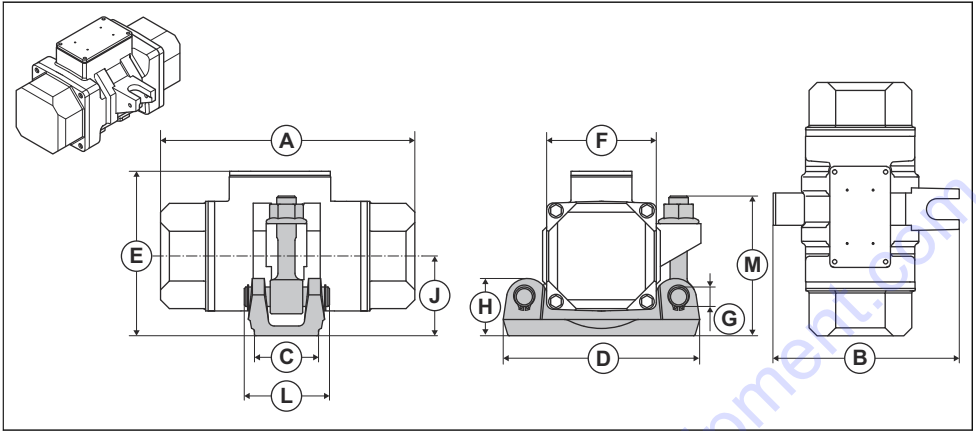
Typ	ER 305
A, mm/Zoll	285/11,2
B, mm/Zoll	174/6,8
C, mm/Zoll	78/3,0
D, mm/Zoll	130/5,1
E, mm/Zoll	135/5,3
F, mm/Zoll	95/3,7
G, mm/Zoll	15/0,6
H, mm/Zoll	15/0,6
J, mm/Zoll	49/1,9
L, mm/Zoll	110/4,3

## Geräteabmessungen ER 405, ER 505, ER 605, ER 705



Typ	ER 405	ER 505	ER 605	ER 705
A, mm/Zoll	312/12,2	312/12,2	369/14,5	369/14,5
B, mm/Zoll	200/7,8	200/7,8	280/11,0	280/11,0
C, mm/Zoll	145/5,7	145/5,7	150/5,9	150/5,9
D, mm/Zoll	170/6,6	170/6,6	240/9,4	240/9,4
E, mm/Zoll	179/7,0	179/7,0	235/9,25	235/9,25
F, mm/Zoll	135/5,3	135/5,3	190/7,5	190/7,5
G, mm/Zoll	14/0,5	14/0,5	18/0,7	18/0,7
H, mm/Zoll	40/1,6	40/1,6	50/1,9	50/1,9
J, mm/Zoll	69/2,7	69/2,7	97/3,8	97/3,8
L, mm/Zoll	176/6,9	176/6,9	194/7,6	194/7,6

## Geräteabmessungen ER 207B, ER 407B, ER 507B



Typ	ER 207B	ER 407B	ER 507B
A, mm/Zoll	285/11,2	274/10,8	312/12,3
B, mm/Zoll	172/6,8	230/9,1	230/9,1
C, mm/Zoll	85/3,3	80/3,1	80/3,1
D, mm/Zoll	183/7,2	242/9,5	242/9,5
E, mm/Zoll	166/6,5	195/7,7	210/8,3
F, mm/Zoll	95/3,7	115/4,5	136/5,4
H, mm/Zoll	50/2,0	73/2,9	73/2,9
J, mm/Zoll	80/3,1	100/3,9	100/3,9
L, mm/Zoll	106/4,2	116/4,6	116/4,6
M, mm/Zoll	138/5,4	173/6,8	173/6,8



---

## EU-Konformitätserklärung

---

### EG-Konformitätserklärung

<b>Beschreibung</b>	<b>Betonrüttler</b>
<b>Marke</b>	Husqvarna
<b>Typ/Modell</b>	ER 105, ER 205, ER 305, ER 405, ER 505, ER 605, ER 705, ER 207B, ER 407B, ER 507B
<b>Identifizierung</b>	Seriennummern ab 2020

die folgenden EU-Richtlinien und -Vorschriften erfüllt:

<b>Richtlinie/Vorschrift</b>	<b>Beschreibung</b>
2006/42/EG	„Maschinenrichtlinie“

und dass die folgenden harmonisierten Normen und/  
oder technischen Daten angewendet werden;

EN 12649

Partille, 2021-03-26

## Sommaire

Introduction.....	56	Dépannage.....	69
Sécurité.....	57	Transport, entreposage et mise au rebut.....	71
Installation.....	62	Caractéristiques techniques.....	72
Utilisation.....	63	Entretien.....	81
Entretien.....	66	Déclaration de conformité CE.....	82

## Introduction

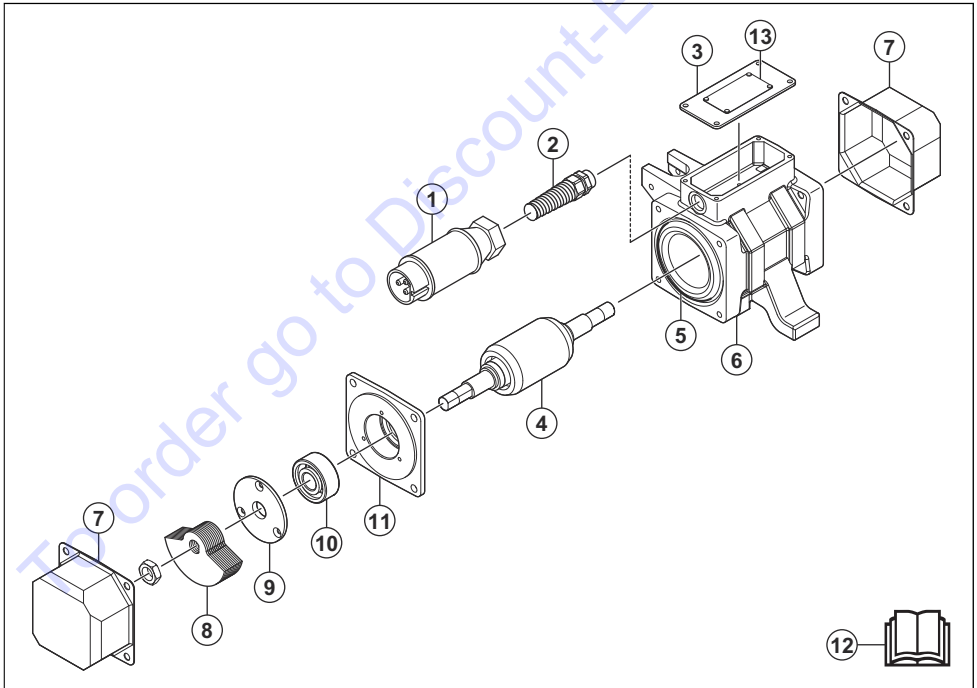
### Description du produit

Le produit est un vibreur à béton avec unité d'entraînement électrique intégrée. Il fonctionne sur le côté extérieur d'un coffrage. Les produits à fréquence normale fonctionnent directement depuis une alimentation électrique. Les produits à haute fréquence fonctionnent par le biais d'un convertisseur de fréquence.

### Utilisation prévue

Ce produit est à usage professionnel uniquement. Le produit élimine les bulles d'air du béton frais. N'utilisez pas ce produit pour d'autres travaux.

### Aperçu du produit



1. Prise de courant
2. Presse-étoupe
3. Capot supérieur
4. Rotor

5. Stator
6. Carter
7. Capot d'extrémité
8. Poids excentriques

9. Capot de roulement
10. Roulement
11. Support de roulement
12. Manuel de l'opérateur
13. Plaque d'identification

## Symboles concernant le produit



**AVERTISSEMENT** : ce produit peut être dangereux et causer des blessures graves, voire mortelles, à l'opérateur ou à d'autres personnes. Soyez prudent et utilisez le produit correctement.



Lisez avec attention le manuel d'utilisation et assurez-vous de bien comprendre les instructions avant d'utiliser ce produit.



Utilisez des gants de protection homologués.



Utilisez des protège-oreilles.



Double isolation.



Le produit ou son emballage ne font pas partie des ordures ménagères.

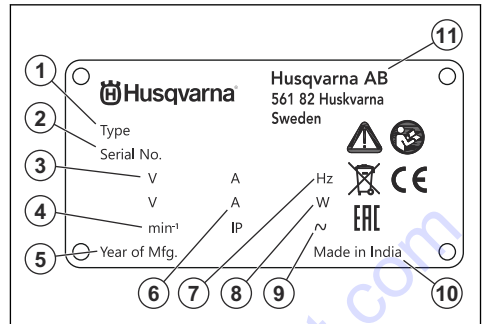
**IP44** Protection contre les objets solides de plus de 1 mm et les éclaboussures d'eau dans toutes les directions.



Ce produit est conforme aux directives CE en vigueur.

**Remarque:** les autres symboles/autocollants présents sur le produit concernent des exigences de certification spécifiques à certains marchés.

## Plaque d'identification



1. Type de produit
2. Numéro de série
3. Tension, V
4. Vitesse du moteur, tr/min
5. Année de fabrication
6. Intensité, A
7. Fréquence, Hz
8. Puissance nominale, W
9. Phase
10. Pays de fabrication
11. Fabricant

## Responsabilité

Conformément à la loi sur la responsabilité du fait des produits, nous déclinons toute responsabilité pour tout dommage causé par notre produit si :

- le produit n'est pas correctement réparé ;
- le produit est réparé avec des pièces qui ne proviennent pas du fabricant ou qui ne sont pas homologuées par le fabricant ;
- le produit est équipé d'un accessoire qui ne provient pas du fabricant ou qui n'est pas homologué par le fabricant ;
- le produit n'est pas réparé par un centre d'entretien agréé ou par une autorité homologuée.

## Sécurité

### Définitions de sécurité

Des avertissements, des recommandations et des remarques sont utilisés pour souligner des parties spécialement importantes du manuel.



**AVERTISSEMENT:** Symbole utilisé en cas de risque de blessures ou de mort pour l'opérateur ou les personnes à proximité si les instructions du manuel ne sont pas respectées.



**REMARQUE:** Symbole utilisé en cas de risque de dommages pour le produit, d'autres matériaux ou les environs si les instructions du manuel ne sont pas respectées.

**Remarque:** Symbole utilisé pour donner des informations supplémentaires pour une situation donnée.

## Consignes générales de sécurité relatives à l'outil à moteur



**AVERTISSEMENT:** Lisez l'ensemble des avertissements de sécurité, des consignes, des illustrations et des spécifications fournies avec cet outil électrique. Le non-respect des consignes énumérées ci-dessous peut être à l'origine d'un choc électrique, d'un incendie et/ou de blessures graves.

- **Conservez toutes ces consignes et instructions pour toute consultation ultérieure.** Le terme « outil électrique » utilisé dans les avertissements fait référence à l'outil branché sur secteur (fil) ou à l'outil alimenté par batterie (sans fil).

## Sécurité dans l'espace de travail

- **Maintenez un espace de travail propre et bien éclairé.** Les espaces encombrés ou sombres exposent à des accidents.
- **N'utilisez pas de machines à usiner dans des atmosphères explosives, en présence de liquides, de gaz ou de poussières inflammables par exemple.** Les machines à usiner provoquent des étincelles qui peuvent enflammer la poussière ou les vapeurs.
- **Tenez les enfants et les spectateurs à distance lorsque la machine à usiner est en marche.** Un moment d'inattention peut vous faire perdre le contrôle.

## Sécurité électrique

- **Les fiches des machines à usiner doivent être adaptées à la prise. N'apportez jamais de modifications à la fiche. Ne pas utiliser de fiches d'adaptation avec des machines mises à la terre.** Des fiches non modifiées et des prises compatibles réduisent le risque de choc électrique.
- **Évitez tout contact physique avec les surfaces mises à la terre telles que les tuyaux, les radiateurs, les cuisinières et les réfrigérateurs.** Le risque d'électrocution est plus important si le corps est relié à la terre.
- **Ne pas exposer les outils électriques à la pluie ou à l'humidité.** L'infiltration d'eau dans une machine à usiner augmente le risque d'électrocution.

- **Ne malmenez pas le cordon. N'utilisez jamais le cordon pour porter, tirer ou débrancher la machine. Maintenez le cordon d'alimentation à l'écart de la chaleur, de bords tranchants ou de pièces en mouvement.** Les fils endommagés ou emmêlés augmentent le risque de choc électrique.
- **Lorsque vous utilisez un outil électrique à l'extérieur, utilisez une rallonge électrique adaptée à l'usage extérieur.** L'utilisation d'un cordon d'alimentation pour usage extérieur réduit le risque d'électrocution.
- **Si vous n'avez d'autre choix que d'utiliser un outil électrique dans un endroit humide, utilisez une alimentation protégée par un dispositif de courant résiduel (RCD).** L'utilisation d'un RCD réduit le risque de choc électrique.

## Sécurité du personnel

- **Restez attentif, regardez ce que vous faites et ayez recours à votre bon sens lorsque vous utilisez un outil électrique. N'utilisez pas d'outil électrique si vous êtes fatigué ou si vous êtes sous l'emprise de drogues, d'alcool ou de médicaments.** Un moment d'inattention pendant l'utilisation des machines à usiner peut entraîner des blessures corporelles graves.
- **Utilisez un équipement de protection personnelle. Travaillez toujours avec des lunettes de protection.** Les équipements de protection tels que le masque anti-poussière, les chaussures de sécurité antidérapantes, le casque ou le protège-oreilles utilisés dans des conditions appropriées réduisent les blessures corporelles.
- **Évitez tout démarrage intempestif. Vérifiez que l'interrupteur est en position d'arrêt avant de brancher l'outil sur l'alimentation et/ou la batterie, de le ramasser ou de le transporter.** Le fait de garder le doigt sur l'interrupteur pendant le transport des outils ou le branchement des machines alors que l'interrupteur est en position ON expose à des accidents.
- **Retirez toute clé ou clavette de calage avant de mettre la machine à usiner sous tension.** Une clé ou une clavette reliée à une pièce mobile de la machine à usiner peut entraîner des blessures corporelles.
- **Ne vous éloignez pas trop. Restez toujours en équilibre et sur vos appuis.** Cela favorise le contrôle de la machine à usiner dans les situations inattendues.
- **Habilitez-vous correctement. Ne portez jamais de vêtements amples ou de bijoux. Éloignez vos cheveux et vos vêtements des pièces mobiles.** Les vêtements amples, les bijoux et les cheveux longs peuvent rester coincés dans les pièces mobiles.
- **Si des dispositifs sont fournis pour raccorder des systèmes de collecte et d'extraction de la poussière, vérifiez qu'ils sont correctement branchés et utilisés.** L'utilisation de systèmes de collecte de poussière peut réduire les risques associés à la poussière.
- **La connaissance des outils, acquise par l'usage fréquent de ces derniers, ne doit pas vous dispenser**

**d'être prudent et d'appliquer les principes de sécurité.** Une action inconsidérée peut provoquer de graves blessures en une fraction de seconde.

## Utilisation et entretien de la machine à usiner

- **Ne forcez pas sur la machine à usiner. Utilisez la machine à usiner qui convient à l'application.** La machine qui convient réalisera mieux son travail et de façon plus sûre, à la vitesse pour laquelle elle a été conçue.
- **N'utilisez pas la machine à usiner si l'interrupteur ne permet pas la mise sous tension ou l'arrêt.** Toute machine à usiner impossible à commander avec l'interrupteur est dangereuse et doit être réparée.
- **Débranchez la fiche de l'alimentation et/ou retirez la batterie, si celle-ci est amovible, avant de procéder aux réglages, de changer les accessoires ou de stocker un outil électrique.** Ces mesures de sécurité préventive réduisent le risque de mise sous tension accidentelle de la machine à usiner.
- **Rangez les machines à usiner hors de la portée des enfants et ne pas laisser des personnes qui ne connaissent pas la machine ou ces consignes utiliser l'appareil.** Les machines à usiner sont dangereuses si elles sont entre les mains d'utilisateurs non formés.
- **Entretenez les accessoires et outils électriques. Vérifier le mauvais alignement ou la fixation des pièces mobiles, l'éventuelle rupture des pièces ou toute autre condition susceptible d'altérer le fonctionnement de la machine. Si elle est endommagée, la machine à usiner doit être réparée avant toute réutilisation.** De nombreux accidents sont dus à des machines mal entretenues.
- **Maintenez les outils tranchants aiguisés et propres.** Des outils tranchants correctement entretenus avec des bords aiguisés sont moins susceptibles de se coincer et sont plus faciles à contrôler.
- **Utiliser la machine à usiner, les accessoires, les grains, etc. en suivant ces consignes et en tenant compte des conditions de travail et de la tâche à réaliser.** Il est dangereux d'utiliser l'outil électrique pour tout autre usage que celui prévu.
- **Les poignées et les surfaces de maintien doivent toujours être propres, sèches et sans traces d'huile ni de graisse.** Les poignées et les surfaces de maintien glissantes ne permettent pas une manipulation et un contrôle sûrs de l'outil dans des situations inattendues.

## Entretien

- **Confiez l'entretien de votre outil électrique à un mécanicien qualifié qui utilisera uniquement des pièces de rechange identiques.** Cela permet de garantir la sécurité de la machine.

## Instructions générales de sécurité



**AVERTISSEMENT:** Lisez les instructions qui suivent avant d'utiliser le produit.

- Ce produit est un outil dangereux si vous ne faites pas attention ou si vous l'utilisez de manière incorrecte. Ce produit peut causer des blessures graves, voire mortelles, à l'opérateur ou à d'autres personnes. Avant d'utiliser le produit, il convient de lire attentivement et de bien comprendre les instructions contenues dans ce manuel de l'opérateur.
- Conservez tous les avertissements de sécurité et toutes les instructions.
- Respectez l'ensemble des lois et réglementations applicables.
- L'opérateur et son employeur doivent connaître et éviter tout risque au cours de l'utilisation du produit.
- Ne laissez personne utiliser le produit avant d'avoir lu et compris le contenu du manuel de l'opérateur.
- N'utilisez pas le produit sauf si vous bénéficiez d'une formation préalable. Assurez-vous que tous les opérateurs suivent une formation.
- Ne laissez pas un enfant utiliser le produit.
- Seules les personnes autorisées peuvent utiliser le produit.
- L'utilisateur est tenu responsable des accidents auxquels il expose autrui ou ses biens.
- N'utilisez jamais l'appareil si vous êtes fatigué ou malade, ou si vous êtes sous l'emprise d'alcool, de drogues ou de médicaments.
- Soyez toujours prudent et utilisez votre bon sens.
- Ce produit génère un champ électromagnétique durant son fonctionnement. Ce champ peut dans certaines circonstances perturber le fonctionnement d'implants médicaux actifs ou passifs. Pour réduire le risque de blessures graves ou mortelles, nous recommandons aux personnes portant des implants médicaux de consulter leur médecin et le fabricant de leur implant avant d'utiliser cet appareil.
- Maintenez le produit propre. Assurez-vous que vous pouvez lire clairement les avertissements et les autocollants.
- N'utilisez pas le produit si celui-ci est défectueux.
- Ne modifiez pas ce produit.
- N'utilisez pas le produit s'il est susceptible d'avoir été modifié par d'autres personnes.

## Instructions de sécurité pour le fonctionnement



**AVERTISSEMENT:** Lisez les instructions qui suivent avant d'utiliser le produit.

- Assurez-vous que vous savez arrêter le produit rapidement en cas d'urgence.
- L'opérateur doit disposer de la force physique nécessaire pour utiliser le produit en toute sécurité.
- Utilisez un équipement de protection personnelle. Reportez-vous à la section *Équipement de protection individuel* à la page 61.
- Assurez-vous que seules les personnes autorisées se trouvent dans la zone de travail.
- Veillez à ce que la zone de travail reste propre et bien éclairée.
- Veillez à vous tenir dans une position stable et sûre pendant l'utilisation du produit.
- Assurez-vous qu'il n'y a aucun risque de chute, pour vous ou pour le produit.
- Vérifiez l'absence d'huile ou de graisse sur la poignée.
- N'utilisez pas ce produit dans des zones présentant un risque d'incendie ou d'explosion.
- Le produit peut projeter des objets à grande vitesse. Assurez-vous que toutes les personnes se trouvant dans la zone de travail portent un équipement de protection individuel homologué. Veillez à ce qu'il ne reste pas d'objets meubles dans la zone de travail.
- Avant de vous éloigner du produit, arrêtez-le et débranchez-le.
- Assurez-vous que la tension de l'alimentation secteur correspond à la tension indiquée sur la plaque signalétique du produit.
- Assurez-vous que des vêtements, cheveux longs et bijoux ne peuvent pas se coincer dans les pièces mobiles.
- Ne vous asseyez pas sur le produit.
- Ne frappez pas le produit.
- Assurez-vous que personne ne puisse se prendre dans et trébucher sur les câbles, les tuyaux et les arbres dans la zone de travail.
- Avant d'utiliser le produit, assurez-vous qu'aucun câble, fil électrique, ou autre source d'électricité ne sont dissimulés dans la zone. N'utilisez pas le produit si vous ne savez pas s'il se trouve dans une zone de travail sûre.

## Précautions relatives aux vibrations



**AVERTISSEMENT:** Lisez les instructions qui suivent avant d'utiliser le produit.

- Au cours de l'utilisation du produit, des vibrations sont ressenties entre le produit et l'opérateur. Un fonctionnement régulier et fréquent du produit peut blesser ou augmenter le risque de blessures graves chez l'opérateur. Des blessures peuvent se produire au niveau des doigts, des mains, des poignets, des bras, des épaules, et/ou des nerfs et des organes d'irrigation sanguine, ou d'autres parties du corps. Les blessures peuvent être invalidantes et/ou permanentes et peuvent augmenter

progressivement pendant des semaines, des mois ou des années. Des dommages peuvent également être provoqués au niveau du système de circulation sanguine, du système nerveux, des articulations et d'autres parties du corps.

- Des symptômes peuvent se produire pendant le fonctionnement du produit ou à un autre moment. Si vous avez des symptômes et que vous continuez d'utiliser le produit, ceux-ci peuvent augmenter ou devenir permanents. Si l'un de ces symptômes ou d'autres symptômes se produisent, consultez un médecin :
  - engourdissement, perte de sensibilité, fourmillements, picotements, douleur, brûlure, palpitations, raideur, maladresse, faiblesse musculaire, changement de pigmentation de la peau ou de l'état physique.
- Les symptômes peuvent augmenter par temps froid. Utilisez des vêtements chauds et gardez les mains au chaud et au sec lorsque vous faites fonctionner le produit dans un environnement froid.
- Procédez à l'entretien et utilisez le produit comme indiqué dans le manuel d'utilisation afin de maintenir un bon niveau de vibrations.
- Le produit est doté d'un système anti-vibrations qui réduit les vibrations entre les poignées et l'opérateur. Laissez le produit faire le travail. N'appuyez pas fortement sur le produit. Tenez légèrement le produit au niveau des poignées, mais assurez-vous que vous pouvez le contrôler et l'utiliser en toute sécurité. Ne poussez pas les poignées dans les butées plus que nécessaire.
- Gardez uniquement les mains sur la ou les poignées. Éloignez toutes les autres parties du corps du produit.
- Arrêtez le produit immédiatement si de fortes vibrations se produisent soudainement. Ne poursuivez pas l'opération avant que la cause de l'augmentation des vibrations ait été supprimée.

## Sécurité antipoussière



**AVERTISSEMENT:** Lisez les instructions qui suivent avant d'utiliser le produit.

- Le fonctionnement du produit peut entraîner de la poussière dans l'air. La poussière peut provoquer des blessures graves et des problèmes de santé permanents. Plusieurs autorités classent la poussière de silice parmi les poussières dangereuses. Quelques exemples de problèmes de santé pouvant être causés :
  - Maladies pulmonaires mortelles telles que la bronchite chronique, la silicose et la fibrose pulmonaire
  - Cancer
  - Anomalies congénitales
  - Inflammation de la peau.

- Utilisez un équipement adapté permettant de réduire la quantité de poussière et de fumées dans l'air et de diminuer la poussière présente sur les équipements de travail, les surfaces, les vêtements et les parties du corps. Par exemple, des systèmes de collecte de la poussière et des pulvérisateurs d'eau permettant de capter la poussière. Réduisez la quantité de poussière au niveau de la source, dans la mesure du possible. Assurez-vous que l'équipement est correctement installé et utilisé, et qu'un entretien régulier est effectué.
- Portez une protection respiratoire homologuée. Assurez-vous que la protection respiratoire est adaptée aux matériaux dangereux dans la zone de travail.
- Assurez-vous que la zone de travail est suffisamment ventilée.
- Si possible, placez l'échappement du produit à un endroit où la poussière ne peut pas pénétrer dans l'air.
- Utilisez un casque de protection homologué.
- Utilisez des protège-oreilles agréés.
- Portez une protection respiratoire homologuée.
- Utilisez des protections pour les yeux homologuées avec protections latérales.
- Utilisez des gants de protection.
- Utilisez des bottes avec embouts en acier et semelle antidérapante.
- Utilisez des vêtements de travail homologués ou des vêtements près du corps équivalents dotés de manches longues et d'un pantalon.

## Consignes de sécurité pour l'entretien



**AVERTISSEMENT:** Lisez les instructions qui suivent avant d'utiliser le produit.

### Sécurité relative au bruit



**AVERTISSEMENT:** Lisez les instructions qui suivent avant d'utiliser le produit.

- Des niveaux sonores élevés et une exposition prolongée au bruit peuvent provoquer une perte auditive.
- Afin de maintenir le niveau sonore au minimum, effectuez l'entretien et utilisez le produit comme indiqué dans le manuel d'utilisation.
- Utilisez des protège-oreilles homologués pendant l'utilisation du produit.
- Soyez attentif aux signaux d'alerte et aux appels lorsque vous portez des protège-oreilles. Retirez les protège-oreilles lorsque le produit est arrêté, sauf si les protège-oreilles sont nécessaires en raison du niveau sonore dans la zone de travail.
- Si l'entretien n'est pas effectué correctement et régulièrement, le risque de blessures et d'endommagement du produit augmente.
- Utilisez un équipement de protection personnelle. Reportez-vous à la section *Équipement de protection individuel* à la page 61.
- Nettoyez le produit afin de retirer tout matériau dangereux avant de faire l'entretien.
- Avant tout travail d'entretien, débranchez le produit de la source d'alimentation.
- Ne modifiez pas le produit. Les modifications apportées au produit qui ne sont pas approuvées par le fabricant peuvent causer des blessures graves, voire mortelles.
- Utilisez toujours les accessoires et les pièces de rechange d'origine. Les accessoires et les pièces de rechange qui ne sont pas approuvés par le fabricant peuvent causer des blessures graves, voire mortelles.
- Remplacez les pièces endommagées, usées ou cassées.

### Équipement de protection individuel



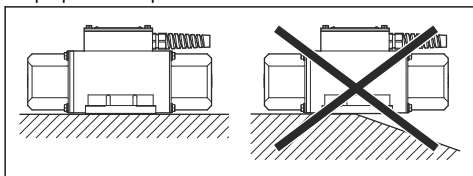
**AVERTISSEMENT:** Lisez les instructions qui suivent avant d'utiliser le produit.

- Portez toujours un équipement de protection individuel homologué lorsque vous utilisez le produit. L'équipement de protection individuel ne protège pas complètement des blessures, mais il diminue la gravité des blessures en cas d'accident. Faites appel à votre revendeur pour vous aider à sélectionner l'équipement de protection individuel adéquat.
- Vérifiez régulièrement l'état de votre équipement de protection individuel.
- Effectuez uniquement les tâches d'entretien décrites dans le présent manuel de l'opérateur. Laissez un atelier spécialisé agréé se charger de toutes les autres opérations d'entretien.
- Si le remplacement du cordon d'alimentation s'avère nécessaire, il doit être effectué par le constructeur ou son agent afin d'éviter tout risque pour la sécurité.
- Après l'entretien, contrôlez le niveau de vibrations dans le produit. S'il n'est pas correct, contactez un atelier spécialisé agréé.
- Demandez à un atelier spécialisé d'effectuer régulièrement l'entretien du produit.

# Installation

## Fixation du produit au coffrage

1. Assurez-vous que la surface du coffrage est plane, propre et non peinte.



2. Assurez-vous que le coffrage est rigide. Si le coffrage n'est pas rigide, il doit être renforcé par une plaque soudée.
3. Fixez le produit au coffrage ou à la plaque soudée à l'aide de boulons ou de supports. Reportez-vous à *Fixation du produit à l'aide de boulons à la page 62* et *Fixation du produit à l'aide de supports à la page 62*.

## Fixation du produit à l'aide de boulons

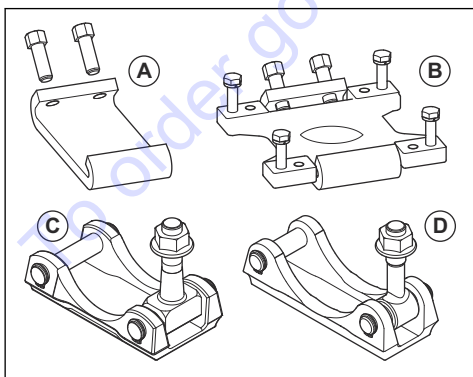
1. Fixez le produit directement au coffrage ou à la plaque de fixation soudée sur le coffrage. Serrez les boulons au couple correct. Reportez-vous à la section *Couple de serrage à la page 74*.



**REMARQUE:** Assurez-vous que les boulons sont des vis de blocage en acier haute résistance. Les boulons doivent être de classe de résistance 8.8 ou 10.9.

2. Vérifiez le couple de serrage après les 30 premières minutes de fonctionnement, puis toutes les 100 heures de fonctionnement.

## Fixation du produit à l'aide de supports



Support d'arrimage	N° commande	Fréquence normale (3 000 tr/min, 50 Hz et 3 600 tr/min, 60 Hz)
A	594367701	ER 305. Le support doit être soudé à la structure.
B	597267501	ER 405 et ER 505. Le kit de support comprend un support (A), une plaque de fixation et un jeu de boulons. Le support doit être soudé à la structure. Fixez la plaque de fixation au support. Fixez le produit à la plaque de fixation.

Support d'arrimage	N° commande	Fréquence élevée (5 400 tr/min, 60 Hz et 6 000 tr/min, 50 Hz)
C	597157201	ER 207B. Le support doit être soudé à la structure.
D	597157101	ER 407B et ER 507B. Le support doit être soudé à la structure.



# Utilisation

## Introduction



**AVERTISSEMENT:** Assurez-vous de lire et de comprendre le chapitre dédié à la sécurité avant d'utiliser l'appareil.

## À faire avant de démarrer le produit

- Lisez attentivement le manuel d'utilisation et assurez-vous de bien comprendre les instructions.
- Effectuez l'entretien quotidien. Reportez-vous à la section *Calendrier d'entretien* à la page 67.

## Force centrifuge ER 105

La force centrifuge n'est pas réglable pour ER 105.

Type, 3 000 tr/min, 50 Hz	Force centrifuge, N
ER 105	500

Type, 3 600 tr/min, 60 Hz	Force centrifuge, livres
ER 105	118

## Pour régler la force centrifuge ER 205

1. Retirez les boulons et les rondelles qui maintiennent les capots d'extrémité. Reportez-vous à la section *Pour démonter le produit* à la page 67.
2. Retirez les capots d'extrémité.
3. Retirez les boulons et les rondelles de chaque extrémité du rotor.
4. Retirez les poids excentriques de l'arbre et faites-les pivoter de 180° pour régler la force centrifuge. Reportez-vous à *Réglages du poids excentrique pour ER 205, 50 Hz* à la page 63 et *Réglages du poids excentrique pour ER 205, 60 Hz* à la page 63.

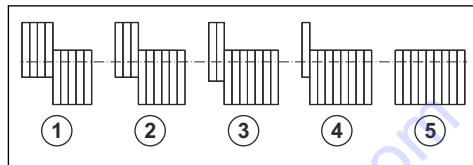


**REMARQUE:** Effectuez les réglages à chaque extrémité du rotor.

**Remarque:** Les positions des poids excentriques se trouvent également sur le côté intérieur des capots des poids excentriques. Les positions d'usine des produits sont réglées sur la position 4.

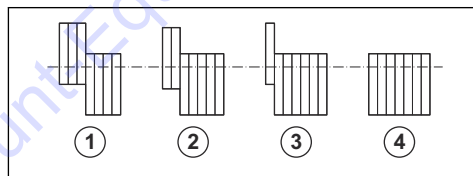
5. Montez le produit. Reportez-vous à la section *Pour monter le produit* à la page 68.

## Réglages du poids excentrique pour ER 205, 50 Hz



Type, 3 000 tr/min	Force centrifuge, N				
ER 205	155	470	780	1 100	1 400
Position	1	2	3	4	5

## Réglages du poids excentrique pour ER 205, 60 Hz



Type, 3 600 tr/min	Force centrifuge, livres			
ER 205	48	144	240	336
Position	1	2	3	4

## Réglage de la force centrifuge ER 305, ER 405 et ER 505

1. Retirez les boulons et les rondelles qui maintiennent les capots d'extrémité. Reportez-vous à la section *Pour démonter le produit* à la page 67.
2. Retirez les capots d'extrémité.
3. Retirez les boulons et les rondelles de chaque extrémité du rotor.
4. Retirez les poids excentriques de l'arbre et faites-les pivoter de 180° pour régler la force centrifuge. Reportez-vous à *Réglages du poids excentrique pour ER 305, ER 405 et ER 505, 50 Hz* à la page 64 et *Réglages du poids excentrique pour ER 305, ER 405 et ER 505, 60 Hz* à la page 64.

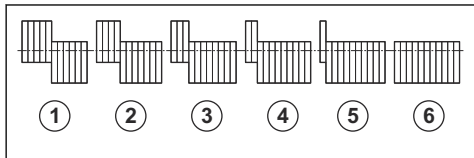


**REMARQUE:** Effectuez les réglages à chaque extrémité du rotor.

**Remarque:** Les positions des poids excentriques se trouvent également sur le côté intérieur des capots des poids excentriques. Les positions d'usine des produits sont réglées sur la position 4.

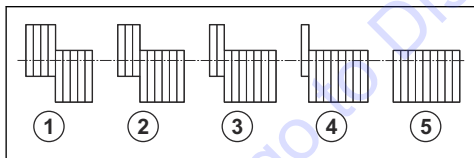
- Montez le produit. Reportez-vous à la section *Pour monter le produit à la page 68.*

## Réglages du poids excentrique pour ER 305, ER 405 et ER 505, 50 Hz



Type, 3 000 tr/min	Force centrifuge, N					
ER 305	300	840	1 380	1 920	2 460	3 000
ER 405	540	1 630	2 730	3 820	4 910	6 000
ER 505	700	2 040	3 380	4 720	6 060	7 400
Position	1	2	3	4	5	6

## Réglages du poids excentrique pour ER 305, ER 405 et ER 505, 60 Hz



Type, 3 600 tr/min	Force centrifuge, livres				
ER 405	170	505	840	1 175	1 510
Position	1	2	3	4	5

## Réglage de la force centrifuge ER 605 et ER 705

- Retirez les boulons et les rondelles qui maintiennent les capots d'extrémité. Reportez-vous à la section *Pour démonter le produit à la page 67.*
- Retirez les capots d'extrémité.
- Retirez les boulons et les rondelles de chaque extrémité du rotor.

- Desserrez le boulon qui fixe le poids excentrique mobile au poids excentrique fixé. Déplacez le poids excentrique mobile pour régler la force centrifuge et serrez le boulon. Reportez-vous à *Réglages du poids excentrique pour ER 605 et ER 705, 50 Hz à la page 64* et *Réglages du poids excentrique pour ER 605 et ER 705, 60 Hz à la page 64.*

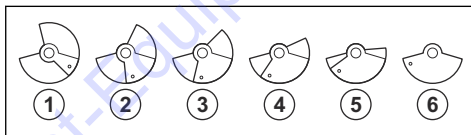


**REMARQUE:** Effectuez les réglages à chaque extrémité du rotor.

**Remarque:** Les positions des poids excentriques se trouvent également sur le côté intérieur des capots des poids excentriques. Les positions d'usine des produits sont réglées sur la position 4.

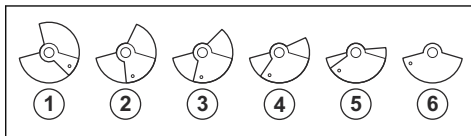
- Montez le produit. Reportez-vous à la section *Pour monter le produit à la page 68.*

## Réglages du poids excentrique pour ER 605 et ER 705, 50 Hz



Type, 3 000 tr/min	Force centrifuge, N					
ER 605	4 500	6 000	7 500	9 000	10 500	12 000
ER 705	6 000	8 000	10 000	12 000	14 000	16 000
Position	1	2	3	4	5	6

## Réglages du poids excentrique pour ER 605 et ER 705, 60 Hz



Type, 3 600 tr/min	Force centrifuge, livres					
ER 605	1 012	1 350	1 687	Film	2 362	2 700
ER 705	1 435	1 913	2 391	2 869	3 347	3 825

Type, 3 600 tr/min	Force centrifuge, livres					
Position	1	2	3	4	5	6

## Réglage de la force centrifuge ER 207B, ER 407B et ER 507B

- Retirez les boulons et les rondelles qui maintiennent les capots d'extrémité. Reportez-vous à la section *Pour démonter le produit à la page 67*.
- Retirez les capots d'extrémité.
- Retirez les boulons et les rondelles de chaque extrémité du rotor.
- Retirez les poids excentriques de l'arbre et faites-les pivoter de 180° pour régler la force centrifuge. Reportez-vous à *Réglages du poids excentrique pour ER 207B, ER 407B et ER 507B, 200 Hz à la page 65* et *Réglages du poids excentrique pour ER 207B, ER 407B et ER 507B, 180 Hz à la page 65*.

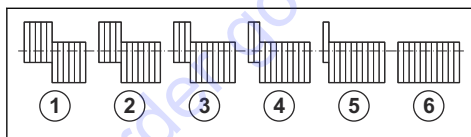


**REMARQUE:** Effectuez les réglages à chaque extrémité du rotor.

**Remarque:** Les positions des poids excentriques se trouvent également sur le côté intérieur des capots des poids excentriques. Les positions d'usine des produits sont réglées sur la position 4.

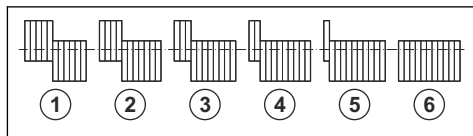
- Montez le produit. Reportez-vous à la section *Pour monter le produit à la page 68*.

## Réglages du poids excentrique pour ER 207B, ER 407B et ER 507B, 200 Hz



Type, 6 000 tr/ min	Force centrifuge, N					
ER 207B	700	2 04 0	3 38 0	4 720	6 050	7 400
ER 407B	1 00 0	3 00 0	5 00 0	7 000	9 000	11 00 0
ER 507B	1 46 0	4 38 0	7 30 0	10 22 0	13 08 0	16 00 0
Position	1	2	3	4	5	6

## Réglages du poids excentrique pour ER 207B, ER 407B et ER 507B, 180 Hz



Type, 5 400 tr/ min	Force centrifuge, livres					
ER 207B	120	365	610	855	1 100	1 345
ER 407B	180	540	540	1 260	1 620	1 980
ER 507B	270	810	1350	1 890	2 430	2 970
Position	1	2	3	4	5	6

## Inversion de la vibration

- Modifiez la position des fils de phase dans le câble d'alimentation. Reportez-vous à la section *Schémas de câblage à la page 76*.

**Remarque:** Un tableau contenant les connexions correctes se trouve dans le terminal.

## Pour contrôler le fonctionnement avant utilisation

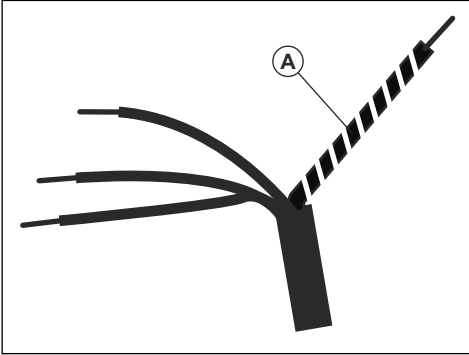
- Montez le produit. Reportez-vous à la section *Pour monter le produit à la page 68*.
- Veillez à ce que le produit soit correctement assemblé. Veillez à ce que l'arbre du rotor tourne librement et ne soit pas desserré.
- Vérifiez l'isolation du moteur à la masse. Utilisez un multimètre à 2,2 kV pendant 5 secondes.
- Assurez-vous que le produit est raccordé à une tension appropriée. Reportez-vous à la section *Caractéristiques techniques à la page 72*.
- À l'aide d'un multimètre, vérifiez que le courant ne dépasse pas la valeur indiquée sur la plaque signalétique.

## Branchement du produit à une source d'alimentation



**AVERTISSEMENT:** Utilisez des prises de courant, des rallonges ainsi que des fiches approuvées.

1. Branchez le produit à l'alimentation électrique à l'aide d'un câble de type HO7RN-F doté d'un câble de masse jaune et vert (A). Vérifiez l'absence de tension ou de frottement.



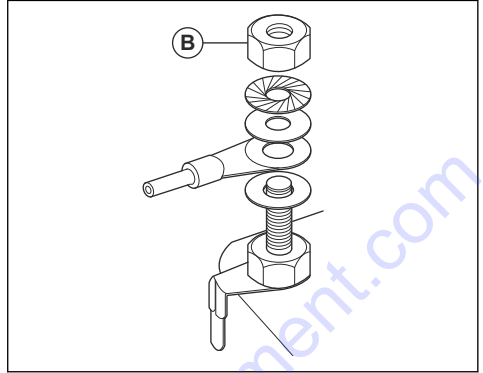
**Remarque:** ER 207B, ER 407B et ER 507B disposent d'un câble de raccordement de 0,6 m (1,9 pi.) branché à une fiche. Le câble est de type A07RNF 3 x 2,5 mm<sup>2</sup>.



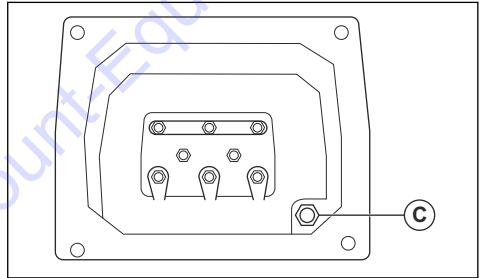
**AVERTISSEMENT:** Assurez-vous que le raccordement aux broches du boîtier de raccordement est conforme aux instructions de « Connexion électrique » figurant sur l'étiquette.

2. Assurez-vous que la dimension du câble de raccordement correspond à la valeur indiquée sur la plaque signalétique. Veillez à ce que le câble de raccordement soit court. Des câbles longs peuvent provoquer une chute de tension.

3. Posez les rondelles dans la position correcte. Serrez les écrous (B) sur les broches de raccordement au couple correct. Reportez-vous à la section *Couple de serrage à la page 74*.



4. Branchez le câble de masse au connecteur (C) du boîtier de raccordement à l'aide d'une vis résistante à la corrosion.



5. Installez fermement le capot du boîtier de raccordement.

## Entretien

### Introduction



**AVERTISSEMENT:** assurez-vous de lire et de comprendre le chapitre sur la sécurité avant de procéder à l'entretien du produit.

## Calendrier d'entretien

Entretien	Avant utilisation, toutes les 10h	Toutes les 2 semaines, 75h	Toutes les 4 semaines, 100h
Nettoyez le produit.	X		
Lubrifiez les paliers.	Reportez-vous à la section <i>Lubrification des roulements à la page 74.</i>		
Examinez les roulements. Remplacez les roulements usés ou endommagés.		X	
Remplacez les paliers.			X

## Nettoyage du produit



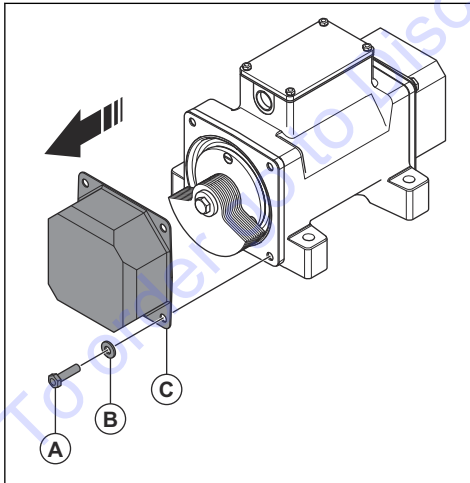
**REMARQUE:** N'utilisez pas de nettoyeur haute pression pour nettoyer le produit.

- Nettoyez la machine à l'eau courante à l'aide d'un tuyau.
- Retirez le béton des surfaces du produit après chaque utilisation avant qu'il ne durcisse.

## Pour démonter le produit

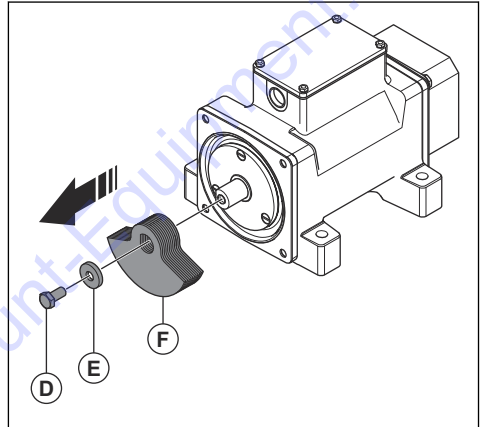
**Remarque:** Il s'agit d'une procédure générale. La procédure est légèrement différente selon le produit.

1. Retirez les boulons (A) et les rondelles (B).



2. Retirez le capot d'extrémité (C).

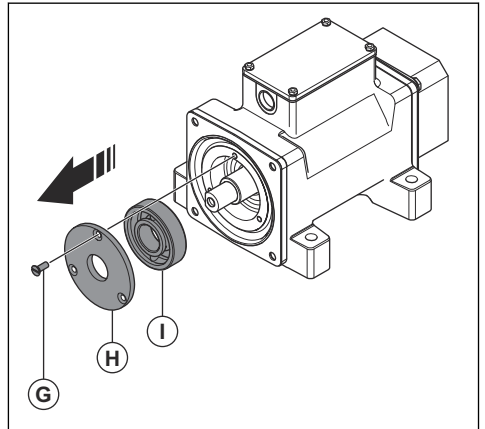
3. Retirez le boulon (D) et la rondelle (E).



4. Retirez les poids excentriques (F).

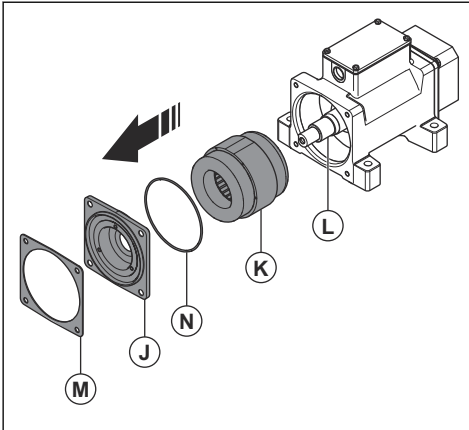
**Remarque:** Notez la position des poids excentriques.

5. Retirez les vis (G) et le capot de roulement (H).



6. Retirez le roulement (I).

7. Retirez le support de roulement (J) et le stator (K).

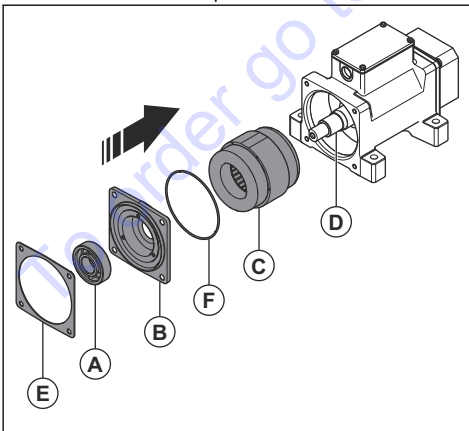


**REMARQUE:** Assurez-vous que les bobinages du rotor (L) ne sont pas endommagés. Assurez-vous que le joint (M) et le joint torique (N) ne sont pas endommagés.

## Pour monter le produit

**Remarque:** Il s'agit d'une procédure générale. La procédure est légèrement différente selon le produit.

1. Nettoyez le roulement avec du carburant et remplissez-le en respectant le type et la quantité de graisse spécifiés. Reportez-vous à la section *Lubrification des roulements à la page 74*.
2. Poussez le roulement (A) dans le support de roulement (B) à l'aide d'une presse à roulement ou d'un maillet à tête souple.

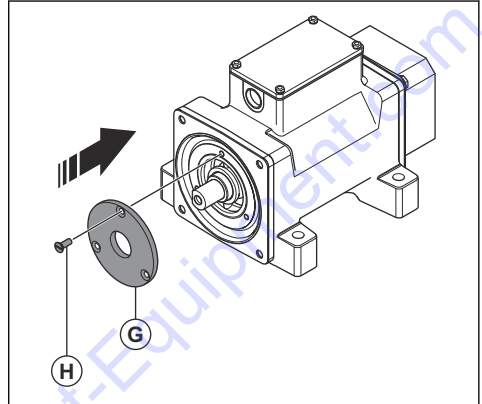


3. Placez le stator (C) dans le support de roulement. Placez le stator et le support de roulement dans le carter.

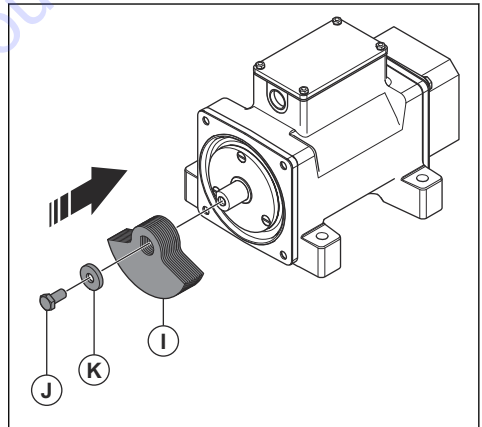


**REMARQUE:** Assurez-vous que les bobinages du rotor (D) ne sont pas endommagés. Assurez-vous que le joint (E) et le joint torique (F) ne sont pas endommagés.

4. Montez le capot de roulement (G) avec les vis (H).

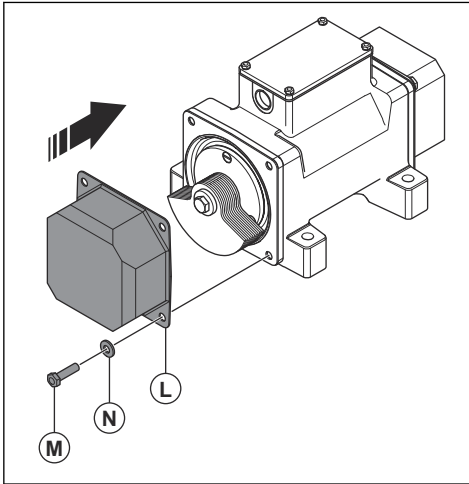


5. Montez les poids excentriques (I) avec le boulon (J) et la rondelle (K).



**Remarque:** Reportez-vous à vos notes pour placer les poids excentriques dans la position correcte. Reportez-vous à la section *Pour démonter le produit à la page 67*.

6. Montez le capot d'extrémité (L) avec les boulons (M) et les rondelles (N). Serrez les boulons au couple correct. Reportez-vous à la section *Couple de serrage* à la page 74.



## Dépannage

Problème	Cause	Inspection	Solution
Le produit ne démarre pas.	Le cordon d'alimentation ou la prise sont défectueux.	N/A	Remplacez le cordon d'alimentation ou la fiche d'alimentation.
	La connexion électrique dans le boîtier de raccordement n'est pas correcte.	Examinez la connexion électrique dans le boîtier de raccordement.	Modifiez la connexion.
	Le produit fonctionne sur 2 phases, et non sur 3.	Examinez la résistance des 3 phases du stator.	Remplacez les pièces endommagées.
	Le disjoncteur saute.	Examinez la résistance du stator et l'isolation à la masse du produit.	Remplacez les pièces endommagées.
	Le produit est cassé.	Assurez-vous qu'il n'y a aucune obstruction ou friction mécanique dans le produit.	Remplacez les pièces endommagées.

Problème	Cause	Inspection	Solution
Le disjoncteur du moteur se déclenche.	Le type ou le réglage du disjoncteur du moteur n'est pas correct.	Examinez les informations figurant sur la plaque signalétique du produit. Assurez-vous que le disjoncteur du moteur est adapté.	Remplacez le disjoncteur du moteur.
	La tension n'est pas correcte.	Examinez la tension de l'alimentation électrique.	Ajustez la tension de l'alimentation électrique
	La puissance n'est pas suffisante pour la source d'alimentation ou le convertisseur de fréquence.	N/A	Assurez-vous qu'il y a une puissance suffisante pour la source d'alimentation et pour le convertisseur de fréquence.
	Le produit consomme trop d'énergie.		Vérifiez que le coffrage est suffisamment rigide.
Vérifiez que le coffrage ne bouge pas.			Modifiez les dimensions du coffrage.
Vérifiez qu'il y a suffisamment de graisse dans les roulements à rouleaux.			Appliquez la quantité correcte de graisse dans les roulements à rouleaux.
Vérifiez que les roulements ne sont pas cassés.			Remplacez les paliers.
Le produit est utilisé à une vitesse trop faible.	La connexion n'est pas correcte.	N/A	La connexion doit être ajustée en fonction de la tension.
	La fréquence n'est pas correcte.	N/A	Branchez le produit haute fréquence à un convertisseur de fréquence.
			Branchez le produit basse fréquence à la source d'alimentation appropriée et à la fréquence correcte.
	Friction excessive dans les roulements.		Vérifiez qu'il y a suffisamment de graisse dans les roulements à rouleaux.
Vérifiez que les roulements ne sont pas cassés.			Remplacez les paliers.
Le niveau sonore est trop élevé.	Les roulements sont cassés.	N/A	Remplacez les paliers.



Problème	Cause	Inspection	Solution
La vibration du béton n'est pas constante.	La force centrifuge est trop basse.	N/A	Réglez la force centrifuge.
	Le produit n'est pas fixé correctement.	N/A	Fixez correctement les supports au coffrage.
			Fixez le produit sur les supports à l'aide des boulons appropriés.
	Le nombre de produits utilisés n'est pas suffisant.	N/A	Ajoutez d'autres produits lorsque la vibration est inexistante.
Le produit utilisé n'est pas correct.	N/A	Fixez les produits haute fréquence à un coffrage vertical.	
		Fixez les produits basse fréquence à un coffrage horizontal.	
Le courant est trop élevé.	La température de fonctionnement est trop basse.	N/A	Diminuez la force centrifuge jusqu'à ce que la température augmente.
	Il y a des interférences entre les produits.	N/A	Réglez la position des produits.
	Le produit n'est pas fixé correctement.	N/A	Fixez correctement les supports au coffrage.
			Fixez le produit sur les supports à l'aide des boulons appropriés.
	La force centrifuge est trop élevée.	N/A	Réglez la force centrifuge.
Le produit est trop petit pour la tâche.	N/A	Remplacez le produit.	

## Transport, entreposage et mise au rebut

### Transport

Placez le produit sur une palette et utilisez un chariot élévateur pour le déplacer.

- Lorsque vous n'utilisez plus le produit, renvoyez-le au concessionnaire ou mettez-le au rebut dans une déchetterie.

### Remisage

- Nettoyez le produit avant de le remiser.
- Entrez le produit dans un endroit sec et à l'abri du gel.
- Conservez le produit dans un endroit verrouillé afin que des enfants ou personnes qui ne sont pas autorisées à l'utiliser ne puissent pas y avoir accès.

### Mise au rebut du produit

- Respectez les consignes locales de recyclage et la réglementation en vigueur.

## Caractéristiques techniques

### Caractéristiques techniques ER 105, ER 205, ER 305, ER 405, ER 505, ER 605, ER 705

Type	ER 105	ER 205	ER 305	ER 405	ER 505	ER 605	ER 705
Fréquence, tr/min	3 000						
Tension standard, V	240/400						
Phases	3						
Fréquence, Hz	50						
Puissance d'entrée, W	40	90	220	550	750	1 150	1 500
Intensité, A	0,16/0,09	0,30/0,18	0,68/0,39	1,80/1,09	2,30/1,33	3,30/1,90	4,20/2,50

Type	ER 105	ER 205	ER 305	ER 405	ER 505	ER 605	ER 705
Fréquence, tr/min	3 600						
Tension standard, V	230/460 ou 220/380						
Phases	3						
Fréquence, Hz	60						
Puissance d'entrée, W	40	90	220	550	750	1 150	1 500
Intensité, A	0,16/0,08 ou 0,16/0,06	0,30/0,15 ou 0,30/0,12	0,60/0,30 ou 0,60/0,24	1,76/0,88 ou 1,76/0,70	2,00/1,00 ou 2,00/0,85	3,16/1,58 ou 3,16/1,26	4,16/2,08 ou 4,16/1,70

Type	ER 105	ER 205	ER 305	ER 405	ER 505	ER 605	ER 705
Poids, kg/lb	2,70/5,90	4,30/9,50	11,00/24,20	20,00/44,10	22,00/48,50	44,60/98,30	46,80/103,20
Boulons de fixation	2 × M10	2 × M10	4 × M12	4 × M12	4 × M12	4 × M16	4 × M16
<b>Émissions sonores</b>							
Niveau de pression sonore $L_p$ à l'oreille de l'utilisateur, dB (A) <sup>5</sup>	55,0	56,0	57,0	57,0	57,5	61,0	63,0

<sup>5</sup> Niveau sonore mesuré dans l'air à 1 m du produit conformément à la norme EN ISO 6081. Incertitude : ± 3 dB

## Caractéristiques techniques ER 207B, ER 407B, ER 507B

Type	ER 207B	ER 407B	ER 507B
Fréquence, tr/min	6 000		
Tension standard, V	42		
Phases	3		
Fréquence, Hz	200		
Puissance d'entrée, W	680	1 000	1 500
Intensité, A	12,50	16,50	23,50

Type	ER 207B	ER 407B	ER 507B
Fréquence, tr/min	5 400		
Tension standard, V	42		
Phases	3		
Fréquence, Hz	180		
Puissance d'entrée, W	705	1 000	1 500
Intensité, A	13,00	15,80	23,50

Type	ER 207B	ER 407B	ER 507B
Poids, kg/lb	10,50/23,15	15,50/34,18	23,20/51,16
<b>Émissions sonores</b>			
Niveau de pression sonore $L_p$ à l'oreille de l'utilisateur, dB (A) <sup>6</sup>	91,3	95,6	97,6

### Déclaration relative au bruit et aux vibrations

Ces valeurs déclarées ont été obtenues grâce à des essais types effectués en laboratoire conformément à la directive ou aux normes mentionnées. Elles conviennent à l'établissement d'une comparaison avec les valeurs déclarées d'autres produits testés conformément aux mêmes normes ou à la même directive. Ces valeurs ne sont pas adaptées à une utilisation à des fins d'évaluations des risques ; les valeurs mesurées dans différents lieux de travail peuvent être plus élevées. Les valeurs d'exposition réelles et les risques de blessures rencontrés par chaque utilisateur sont uniques et

dépendent de la manière dont l'utilisateur travaille, dans quel matériau le produit est utilisé, mais aussi de la durée d'exposition, de la condition physique de l'utilisateur et de l'état du produit.

<sup>6</sup> Niveau sonore mesuré dans l'air à 1 m du produit conformément à la norme EN ISO 6081. Incertitude :  $\pm 3$  dB

## Lubrification des roulements

Type	ER 105 , ER 205	ER 405 , ER 505	ER 305 , ER 207B	ER 605 , ER 705	ER 407B	ER 507B
Type de roulement	6201.ZZ.QE6	6305.ZZ	6306	6408	NJ2304	NJ2306
Suffixe SKF	N/A	C3	C3	C3	ECP.C3	ECP.C3
Suffixe FAG	N/A	C3	C3	C3	N/A	N/A
Quantité de graisse, g/lb	N/A	N/A	10/0,02	25/0,05	2/0,004	3/0,006
Intervalle de lubrification, heures de travail	La lubrification n'est pas nécessaire.	La lubrification n'est pas nécessaire.	2 000	2 000	2 000	2 000
Type de graisse	N/A	N/A	TRI-BOL 3030/100 avec T.G.O.A.	TRI-BOL 3030/100 avec T.G.O.A.	TRI-BOL 3030/100 avec T.G.O.A.	TRI-BOL 3030/100 avec T.G.O.A.

## Couple de serrage

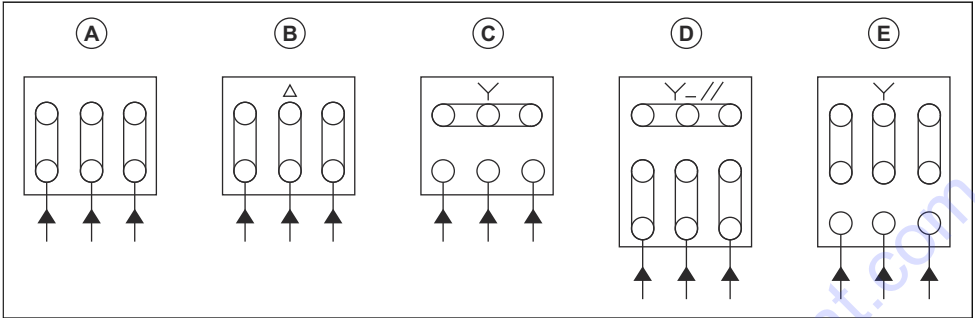
Type	Couple de serrage, Nm/pi. lb	
	Vis de blocage	Écrou du bornier
M4	3,92 / 2,9	1,17 / 0,87
M5	6,37 / 4,8	1,96 / 1,45
M6	9,80 / 7,0	2,94 / 2,17
M8	22,55 / 16,6	6,37 / 4,7
M10	47,07 / 34,7	N/A
M12	78,45 / 58,0	N/A
M14	127,48 / 94,00	N/A
M16	186,32 / 137,00	N/A
M18	264,77 / 195,00	N/A
M20	372,65 / 275,00	N/A
M22	549,17 / 411,00	N/A
M24	696,27 / 513,00	N/A
M27	980,65 / 720,00	N/A
M30	1 274,86 / 940,00	N/A

## Alimentation électrique

	3 000 tr/min, 50 Hz	6 000 tr/min, 50 Hz	3 600 tr/min, 60 Hz	5 400 tr/min, 60 Hz
Indice de protection	IP 65			
Isolation du moteur, classe/°C/°F	F/155/310			
Température ambiante, °C/°F	-10 à +40 / 14 à 104			
Tension	230/460 V-3-50 Hz	42 à 48 V-3-200 Hz, alimentation du convertisseur de fréquence	230/460 V-3-60 Hz 220/380 V-3-60 Hz	42 à 48 V-3-180 Hz, alimentation du convertisseur de fréquence
Précision de la tension, %	± 5	N/A	± 5	N/A
Précision de fréquence, %	± 1	N/A	± 1	N/A

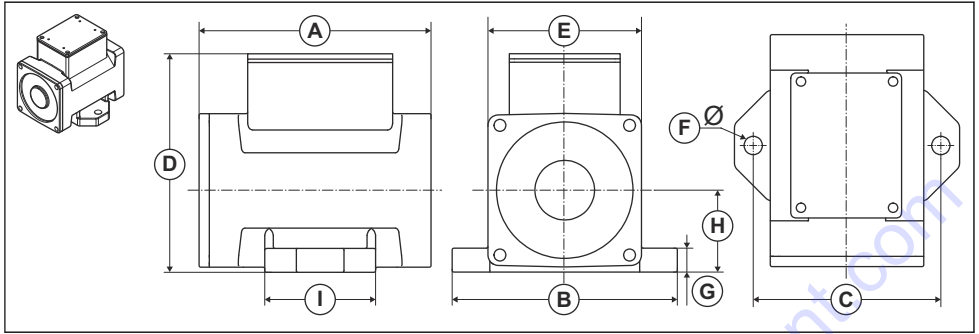
To order go to Discount-Equipment.com

## Schémas de câblage



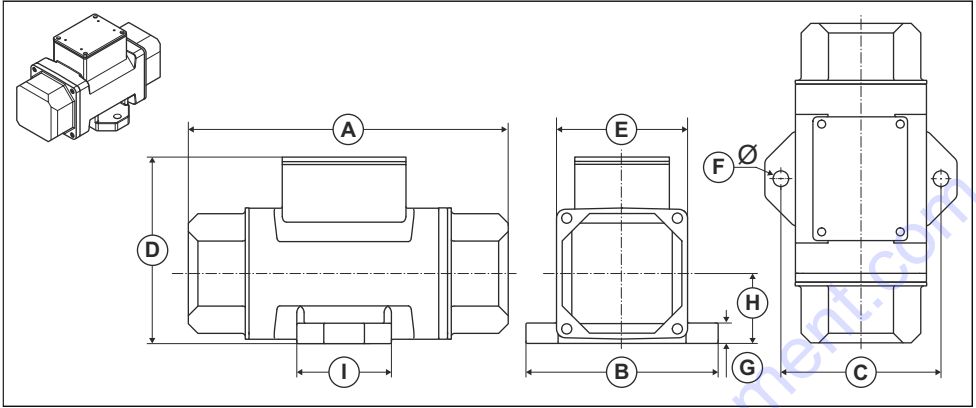
	Type	Tension, V	Phases	Fréquence, Hz
A	2	500	3	50
A	2	600	3	60
B	0	230	3	50
B	1	220	3	60
B	6	240	3	50
B	7	230	3	60
B	8	280	3	60
C	0	400	3	50
C	1	380	3	60
C	6	415	3	50
C	7	400	3	60
C	8	480	3	60
D	3	220	3	60
D	4	230	3	60
E	3	440	3	60
E	4	460	3	60

## Dimensions du produit ER 105



Type	ER 105
A, mm/po.	141/5,5
B, mm/po.	132/5,2
C, mm/po.	110/4,3
D, mm/po.	132/5,2
E, mm/po.	90/3,5
F, mm/po.	11/0,4
G, mm/po.	14/0,5
H, mm/po.	48/1,9
I, mm/po.	65/2,5

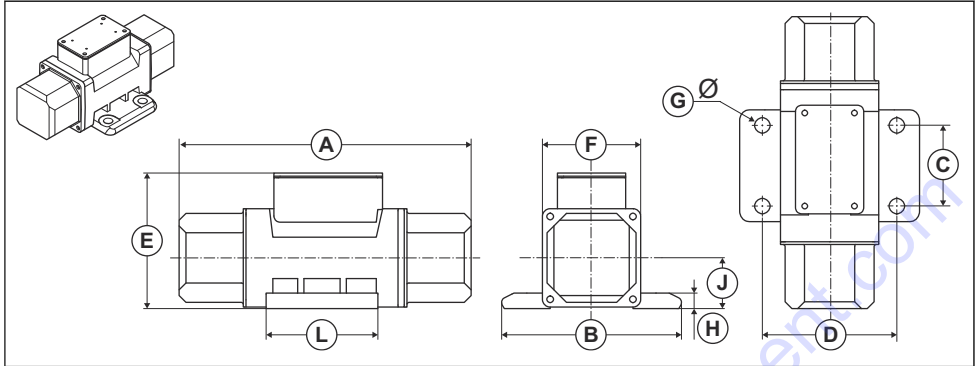
## Dimensions du produit ER 205



Type	ER 205
A, mm/po.	216/8,5
B, mm/po.	132/5,2
C, mm/po.	110/4,3
D, mm/po.	132/5,2
E, mm/po.	90/3,5
F, mm/po.	11/0,4
G, mm/po.	14/0,5
H, mm/po.	48/1,9
I, mm/po.	65/2,5

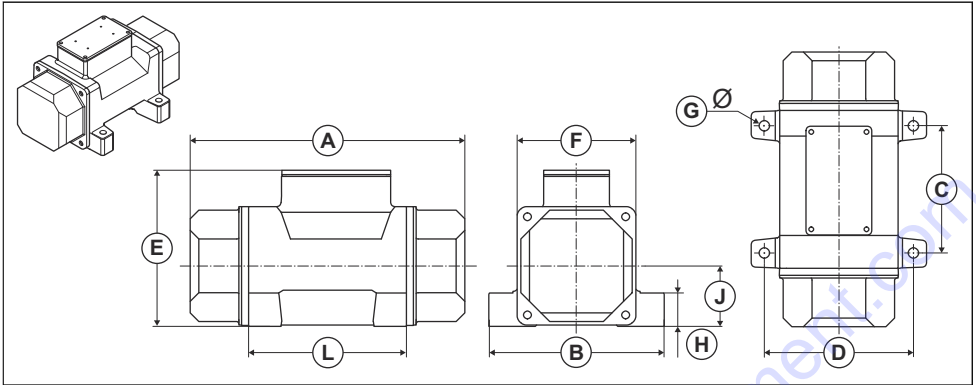


## Dimensions du produit ER 305



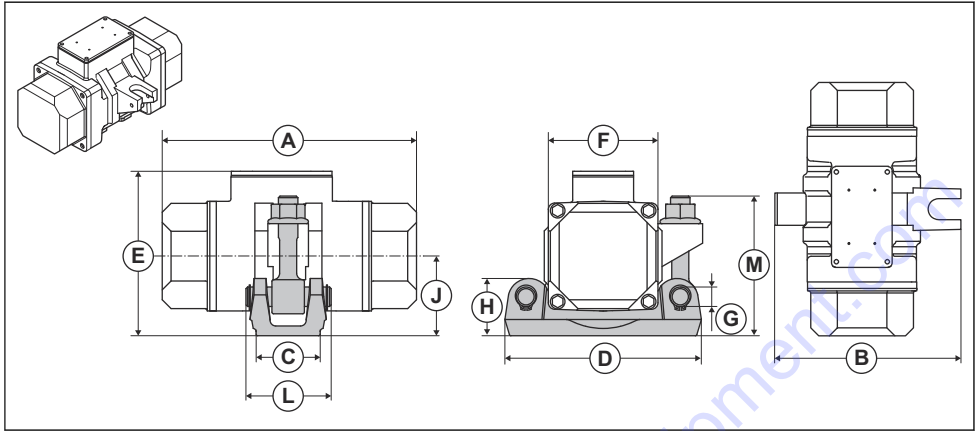
Type	ER 305
A, mm/po.	285/11,2
B, mm/po.	174/6,8
C, mm/po.	78/3,0
D, mm/po.	130/5,1
E, mm/po.	135/5,3
F, mm/po.	95/3,7
G, mm/po.	15/0,6
H, mm/po.	15/0,6
J, mm/po.	49/1,9
L, mm/po.	110/4,3

## Dimensions du produit ER 405, ER 505, ER 605, ER 705



Type	ER 405	ER 505	ER 605	ER 705
A, mm/po.	312/12,2	312/12,2	369/14,5	369/14,5
B, mm/po.	200/7,8	200/7,8	280/11,0	280/11,0
C, mm/po.	145/5,7	145/5,7	150/5,9	150/5,9
D, mm/po.	170/6,6	170/6,6	240/9,4	240/9,4
E, mm/po.	179/7,0	179/7,0	235/9,25	235/9,25
F, mm/po.	135/5,3	135/5,3	190/7,5	190/7,5
G, mm/po.	14/0,5	14/0,5	18/0,7	18/0,7
H, mm/po.	40/1,6	40/1,6	50/1,9	50/1,9
J, mm/po.	69/2,7	69/2,7	97/3,8	97/3,8
L, mm/po.	176/6,9	176/6,9	194/7,6	194/7,6

## Dimensions du produit ER 207B, ER 407B, ER 507B



Type	ER 207B	ER 407B	ER 507B
A, mm/po.	285/11,2	274/10,8	312/12,3
B, mm/po.	172/6,8	230/9,1	230/9,1
C, mm/po.	85/3,3	80/3,1	80/3,1
D, mm/po.	183/7,2	242/9,5	242/9,5
E, mm/po.	166/6,5	195/7,7	210/8,3
F, mm/po.	95/3,7	115/4,5	136/5,4
H, mm/po.	50/2,0	73/2,9	73/2,9
J, mm/po.	80/3,1	100/3,9	100/3,9
L, mm/po.	106/4,2	116/4,6	116/4,6
M, mm/po.	138/5,4	173/6,8	173/6,8

---

## Déclaration de conformité CE

---

### Déclaration de conformité CE

<b>Description</b>	<b>Vibrateur à béton</b>
<b>Marque</b>	Husqvarna
<b>Type/Modèle</b>	ER 105, ER 205, ER 305, ER 405, ER 505, ER 605, ER 705, ER 207B, ER 407B, ER 507B
<b>Identification</b>	Numéros de série à partir de 2020 et ultérieurs

est entièrement conforme à la réglementation et aux directives de l'UE suivantes :

<b>Directive/Réglementation</b>	<b>Description</b>
2006/42/EC	« relative aux machines »

et que les normes harmonisées et/ou les spécifications techniques suivantes sont appliquées :

EN 12649

Partille, 2021-03-26

## Inhoud

Inleiding.....	83	Probleemoplossing.....	96
Veiligheid.....	84	Vervoer, opslag en verwerking.....	97
Installatie.....	89	Technische gegevens.....	98
Werking.....	90	Service.....	107
Onderhoud.....	93	EG verklaring van overeenstemming.....	108

## Inleiding

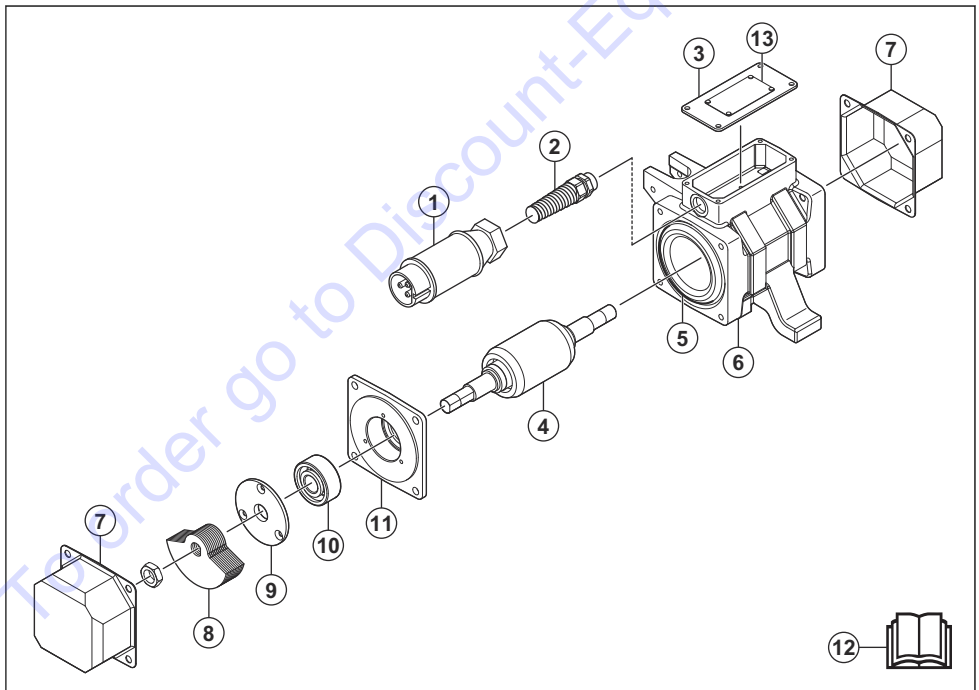
### Productbeschrijving

Het product is een betontrilnaald met een ingebouwde elektrische aandrijfeenheid. Het product werkt aan de buitenkant van een bekisting. De producten met normale frequentie worden rechtstreeks op de voeding aangesloten. De hoogfrequente producten worden aangesloten via een frequentieomvormer.

### Gebruik

Dit product is uitsluitend bedoeld voor professioneel gebruik. Het product verwijdert luchtbellen uit nat beton. Gebruik het product niet voor andere taken.

### Productoverzicht



- |                    |                           |
|--------------------|---------------------------|
| 1. Voedingsstekker | 5. Stator                 |
| 2. Doorvoer        | 6. Behuizing              |
| 3. Kap             | 7. Eindafdekking          |
| 4. Rotor           | 8. Excentrische gewichten |

9. Lagerdeksel
10. Lager
11. Lagersteun
12. Bedieningshandleiding
13. Productplaatje

## Symbolen op het product



**WAARSCHUWING:** Dit product kan gevaarlijk zijn en ernstig of fataal letsel toebrengen aan de gebruiker of anderen. Wees voorzichtig en gebruik het product op de juiste manier.



Lees de handleiding goed door en zorg dat u de instructies hebt begrepen voordat u het product gebruikt.



Draag goedgekeurde veiligheidshandschoenen.



Gebruik gehoorbescherming.



Dubbele isolatie.



Het product of de verpakking ervan is geen huishoudelijk afval.

**IP44**

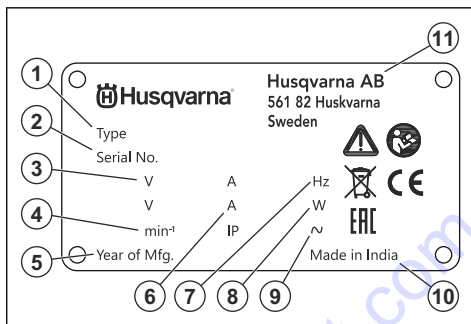
Bescherming tegen vaste voorwerpen die groter zijn dan 1 mm en waterspatten uit alle richtingen.



Dit product voldoet aan de geldende EU-richtlijnen.

**Let op:** Overige op het product aangebrachte symbolen/plaatjes verwijzen naar specifieke eisen aan certificering voor bepaalde markten.

## Productplaatje



1. Producttype
2. Serienummer
3. Spanning, V
4. Motorsnelheid, omw./min.
5. Productiejaar
6. Stroom, A
7. Frequentie, Hz
8. Nominaal vermogen, W
9. Fase
10. Land van productie
11. Fabrikant

## Productaansprakelijkheid

Zoals uiteengezet in de wet voor productaansprakelijkheid zijn wij niet aansprakelijk voor schade die door ons product wordt veroorzaakt, indien:

- het product niet goed is gerepareerd.
- het product is gerepareerd met onderdelen die niet van de fabrikant afkomstig zijn, of onderdelen die niet zijn goedgekeurd door de fabrikant.
- het product een accessoire bevat dat niet afkomstig is van de fabrikant of niet is goedgekeurd door de fabrikant.
- het product niet is gerepareerd door een erkend servicepunt of door een erkende autoriteit.

## Veiligheid

### Veiligheidsdefinities

Waarschuwingen, voorzorgsmaatregelen en opmerkingen worden gebruikt om te wijzen op belangrijke delen van de handleiding.



**WAARSCHUWING:** Wordt gebruikt om te wijzen op de kans op ernstig of fataal letsel voor de gebruiker of omstanders wanneer de instructies in de handleiding niet worden gevolgd.



**OPGELET:** Wordt gebruikt indien er een risico bestaat op schade aan het product en andere eigendommen of aan de omgeving wanneer de instructies in de handleiding niet worden gevolgd.

**Let op:** Geven verdere informatie die nodig is in een bepaalde situatie.

## Algemene veiligheidswaarschuwingen voor elektrisch gereedschap



**WAARSCHUWING:** Lees alle veiligheidswaarschuwingen, instructies, illustraties en specificaties die worden meegeleverd met dit elektrisch gereedschap. Het niet opvolgen van ieder van de onderstaande instructies kan leiden tot elektrische schokken, brand en/of ernstig letsel.

- **Bewaar alle waarschuwingen en instructies voor later gebruik.** De term "elektrisch gereedschap" in de waarschuwingen verwijst zowel naar gereedschappen die op het lichtnet (met snoer) werken als gereedschappen die met een accu (snoerloos) werken.

## Veiligheid van het werkgebied

- **Zorg ervoor dat de werkplek schoon en goed verlicht is.** In rommelige of donkere gebieden gebeuren eerder ongelukken.
- **Gebruik elektrisch gereedschap niet in een omgeving waar ontploffingsgevaar bestaat, zoals in de buurt van brandbare vloeistoffen, gassen of stof.** Elektrische apparaten creëren vonken waardoor het stof of de dampen kunnen ontbranden.
- **Houd kinderen en omstanders op afstand wanneer u elektrisch gereedschap gebruikt.** U kunt de controle over het apparaat verliezen als u afgeleid wordt.

## Elektrische veiligheid

- **Elektrisch gereedschap moet geschikt zijn voor het betreffende stopcontact. Wijzig nooit de stekker. Gebruik nooit een adapterstekker in combinatie met geaarde elektrische gereedschappen.** Ongewijzigde stekkers en overeenkomende stopcontacten verkleinen het risico op elektrische schokken.
- **Vermijd lichamelijk contact met geaarde oppervlakken, zoals buizen, radiatoren, fornuizen en koelkasten.** Er is een verhoogd risico op elektrische schokken als uw lichaam geaard is.
- **Stel elektrische gereedschappen niet bloot aan regen of vochtige omstandigheden.** Water dat in elektrisch gereedschap binnendringt, verhoogt het risico op elektrische schokken.
- **Gebruik de kabel niet voor oneigenlijke doeleinden. Gebruik de kabel nooit om het elektrische apparaat**

**te dragen, het mee te slepen of om de stekker uit het stopcontact te trekken. Houd de kabel uit de buurt van warme, olie, scherpe randen en bewegende onderdelen.** Beschadigde of in de knoop geraakte kabels verhogen het risico op elektrische schokken.

- **Gebruik een verlengkabel die geschikt is voor gebruik buitenshuis wanneer u buiten werkt met elektrisch gereedschap.** Het gebruik van een kabel die geschikt is voor gebruik buitenshuis, vermindert het risico op elektrische schokken.
- **Als gebruik van een elektrisch apparaat in een vochtige omgeving onvermijdelijk is, gebruik dan een netvoeding met reststroombescherming (RCD).** Het gebruik van een aardlekschakelaar vermindert het risico op elektrische schokken.

## Persoonlijke veiligheid

- **Wees altijd alert, kijk wat u doet en gebruik uw gezonde verstand wanneer u elektrisch gereedschap gebruikt. Gebruik elektrisch gereedschap niet als u moe bent of onder invloed bent van drugs, alcohol of medicijnen.** Een moment van onoplettendheid tijdens het gebruik van elektrische apparatuur kan leiden tot ernstig persoonlijk letsel.
- **Maak altijd gebruik van persoonlijke beschermingsmiddelen. Draag altijd oogbescherming.** Beschermingsmiddelen zoals een stofmasker, veiligheidsschoenen met antislipprofiel, een veiligheidshelm of gehoorbescherming in relevante werkomstandigheden beperken letsel.
- **Voorkom een onbedoelde start. Zorg ervoor dat de schakelaar in de stand Off staat voordat u het gereedschap aansluit op een spanningsbron en/of accupack, oppakt of draagt.** Het dragen van elektrische apparaten met uw vinger op de schakelaar of het onder spanning zetten van elektrische apparaten waarvan de schakelaar op aan staat, kan makkelijk leiden tot ongelukken.
- **Verwijder eventuele (instel)sleutels voordat u het elektrisch gereedschap inschakelt.** Een sleutel die is bevestigd aan een draaiend onderdeel van het elektrische gereedschap kan persoonlijk letsel tot gevolg hebben.
- **Voorkom overstrekken. Zorg dat u te allen tijde stevig en in balans staat.** Hierdoor heeft u een betere controle over het apparaat in onverwachte situaties.
- **Draag geschikte kleding. Draag geen losse kleding of sieraden. Houd uw haar en kleding uit de buurt van bewegende onderdelen.** Losse kleding, sieraden of lang haar kunnen verstrikt raken in bewegende onderdelen.
- **Als de mogelijkheid bestaat voor het opvangen van stof moet u ervoor zorgen dat deze is aangesloten en op de juiste wijze wordt gebruikt.** Het gebruik van stofopvang kan stofgerelateerde gevaren beperken.
- **Laat de vertrouwdheid met de door u gebruikte apparaten door het frequente gebruik ervan niet toe leiden dat u de veiligheidsprincipes negeert.** Een

onzorgvuldige handeling kan binnen een fractie van een seconde leiden tot ernstig letsel.

dat de veiligheid van het elektrisch gereedschap wordt gehandhaafd.

## Gebruik en verzorging van elektrische apparaten

- **Gebruik elektrische gereedschap niet voor taken waarvoor het niet geschikt is. Gebruik het juiste elektrische apparaat voor uw toepassing.** Met het juiste elektrische apparaat kunt u de taak beter en veiliger uitvoeren met de snelheid waarvoor het is ontworpen.
- **Gebruik het elektrisch gereedschap niet als de aan/uitschakelaar niet werkt.** Elektrische apparaten die niet bediend kunnen worden met de schakelaar zijn gevaarlijk en moeten gerepareerd worden.
- **Haal de stekker uit het stopcontact en/of verwijder het accupack (indien verwijderbaar) van het elektrische gereedschap voordat u aanpassingen maakt, accessoires verwisselt of het elektrische gereedschap opbergt.** Deze voorzorgsmaatregelen verkleinen het risico op het per ongeluk starten van het elektrische apparaat.
- **Berg elektrisch gereedschap dat u niet nodig hebt op buiten het bereik van kinderen en laat personen die onbekend zijn met het elektrisch gereedschap of deze instructies niet werken met het elektrisch gereedschap.** Elektrische apparaten zijn gevaarlijk in handen van ongetrainde gebruikers.
- **Zorg voor een deugdelijk onderhoud van elektrische gereedschappen en accessoires. Controleer op onjuiste montage of vastlopen van bewegende delen, gebroken onderdelen en andere condities die de werking van het elektrische gereedschap kunnen beïnvloeden. Als het elektrische apparaat beschadigd is, moet u het laten repareren voordat u het gebruikt.** Veel ongelukken worden veroorzaakt door slecht onderhouden elektrische apparaten.
- **Houd snijgereedschappen scherp en schoon.** Goed onderhouden snijgereedschappen met scherpe snijranden zullen minder gauw vastlopen en zijn eenvoudiger onder controle te houden.
- **Gebruik het elektrisch gereedschap, de accessoires, gereedschapsbits en dergelijke in overeenstemming met deze instructies en houd hierbij rekening met de werkomstandigheden en het type kuis dat moet worden uitgevoerd.** Als u het elektrische apparaat voor andere toepassingen gebruikt dan waarvoor het is bedoeld, kan er een gevaarlijke situatie ontstaan.
- **Houd de handgrepen en grijppoppervlakken droog, schoon en vrij van olie en vet.** Als handgrepen en grijppoppervlakken glad zijn, kan dit ervoor zorgen dat het gereedschap in onverwachte situaties niet veilig kan worden gehanteerd en bediend.

## Algemene veiligheidsinstructies



**WAARSCHUWING:** Lees de volgende waarschuwingen voordat u het product gaat gebruiken.

- Dit product kan bij onvoorzichtig of onjuist gebruik een gevaarlijk gereedschap zijn. Dit product kan ernstig of fataal letsel toebrengen aan de gebruiker of anderen. Het is erg belangrijk dat u deze gebruiksaanwijzing leest en begrijpt voordat u dit product gaat gebruiken.
- Bewaar alle waarschuwingen en instructies.
- U dient alle toepasselijke wet- en regelgeving in acht te nemen.
- De gebruiker en de werkgever van de gebruiker dienen op te hoogte te zijn van de risico's tijdens het gebruik van het product en moeten deze voorkomen.
- Zorg ervoor dat dit product alleen wordt gebruikt door personen die de inhoud van de gebruikershandleiding hebben gelezen en begrepen.
- Gebruik het product alleen als u voorafgaand aan gebruik training hebt ontvangen. Zorg ervoor dat alle gebruikers getraind worden.
- Laat het product niet door een kind bedienen.
- Het product mag alleen worden gebruikt door goedgekeurde personen.
- De gebruiker is verantwoordelijk indien ongelukken gebeuren met andere mensen of hun eigendommen.
- Gebruik het product nooit als u moe of ziek bent, of onder invloed van alcohol, drugs of medicijnen verkeert.
- Wees altijd voorzichtig en gebruik uw gezond verstand.
- Dit product produceert tijdens bedrijf een elektromagnetisch veld. Dit veld kan onder bepaalde omstandigheden de werking van actieve of passieve medische implantaten verstoren. Om het risico op ernstig of fataal letsel te verminderen, raden we personen met een medisch implantaat aan om contact op te nemen met hun arts en de fabrikant van het medische implantaat voordat ze dit product gebruiken.
- Houd het product schoon. Zorg ervoor dat u de aanduidingen en stickers duidelijk kunt lezen.
- Gebruik het product niet als het defect is.
- Breng geen wijzigingen aan dit product aan.
- Gebruik het product niet als de mogelijkheid bestaat dat andere personen wijzigingen aan het product hebben aangebracht.

## Service

- **Laat uw elektrische apparaat repareren door een gekwalificeerde monteur en gebruik uitsluitend identieke vervangingsonderdelen.** Dit zorgt ervoor



**WAARSCHUWING:** Lees de volgende waarschuwingen voordat u het product gaat gebruiken.



- Zorg ervoor dat u weet hoe u het product in een noodsituatie snel kunt stopzetten.
- De gebruiker moet beschikken over de fysieke kracht die nodig is om het product veilig te kunnen gebruiken.
- Maak altijd gebruik van persoonlijke beschermingsmiddelen. Zie *Persoonlijke beschermingsuitrusting op pagina 88*.
- Zorg ervoor dat er alleen goedgekeurde personen in het werkgebied zijn.
- Zorg dat het werkgebied schoon en goed verlicht is.
- Zorg ervoor dat u stabiel en veilig staat tijdens het gebruik.
- Zorg ervoor dat er geen risico bestaat dat u of het product kan vallen.
- Zorg ervoor dat er geen vet of olie op de handgreep zit.
- Gebruik het product niet in gebieden waar brand of explosies kunnen optreden.
- Het product kan objecten met hoge snelheid uitwerpen. Zorg ervoor dat alle personen in de werkomgeving gebruikmaken van goedgekeurde persoonlijke beschermingsmiddelen. Verwijder losse voorwerpen uit het werkgebied.
- Voordat u het product achterlaat, moet u het product stopzetten en de stekker uit het stopcontact halen.
- Controleer of de netspanning overeenkomt met de spanning die is aangegeven op het productplaatje.
- Zorg ervoor dat er geen kleding, lang haar en juwelen vast komen te zitten in bewegende delen.
- Ga niet op het product zitten.
- Sla niet op het product.
- Zorg ervoor dat u of andere personen niet bekneld kunnen raken en over kabels, slangen en assen in het werkgebied kunnen vallen.
- Controleer voordat u het product gebruikt of er geen verborgen bedrading, elektrische kabels of andere elektrische bronnen aanwezig zijn. Gebruik het product alleen als u weet dat het zich in een veilige werkomgeving bevindt.
- Symptomen kunnen zich voordoen tijdens het gebruik van het product of op andere momenten. Als u symptomen hebt en het product blijft gebruiken, kunnen de symptomen toenemen of permanent worden. Als deze of andere symptomen zich voordoen, neem dan medische hulp:
  - Verstijving, gevoelloosheid, tintelingen, prikken, pijn, een brandend gevoel, kloppen, stijfheid, onhandigheid, krachtverlies, veranderingen in huidskleur of conditie.
- Symptomen kunnen toenemen bij lage temperaturen. Gebruik warme kleding en houd uw handen warm en droog wanneer u het product in koude omgevingen gebruikt.
- Voer onderhoud uit aan en bedien het product zoals vermeld in de gebruikershandleiding, om een correct trillingsniveau te handhaven.
- Het product heeft een trillingsdempingsysteem dat de trillingen van de handgrepen naar de gebruiker vermindert. Laat het product het werk doen. Duw het product niet met kracht vooruit. Houd het product lichtjes vast aan de handgrepen, maar zorg ervoor dat u het product onder controle hebt en het veilig bedient. Duw de handgrepen niet verder dan nodig tegen de eindaanslagen.
- Houd uw handen alleen op het handvat of de handgrepen. Houd alle andere lichaamsdelen uit de buurt van het product.
- Stop het product onmiddellijk als er plotseling sterke trillingen optreden. Ga niet verder met het gebruik tot de oorzaak van de toegenomen trillingen is weggenomen.

## Bescherming tegen stof



**WAARSCHUWING:** Lees de volgende waarschuwingen voordat u het product gaat gebruiken.

- Gebruik van het product kan stof in de lucht veroorzaken. Stof kan ernstig letsel en permanente gezondheidsproblemen veroorzaken. Silicastof wordt door verschillende instanties als schadelijk beschouwd. Hieronder volgen enkele voorbeelden van dergelijke gezondheidsproblemen:
  - De fatale longaandoeningen chronische bronchitis, silicose en longfibrose
  - Kanker
  - Geboortefwijkingen
  - Huidontsteking
- Gebruik de juiste apparatuur om de hoeveelheid stof en dampen in de lucht te verminderen en om stof op werkkleding, oppervlakken, kleding en lichaamsdelen te verminderen. Voorbeelden van beschermende elementen zijn stofopvangsystemen en watersprays om het stof te binden. Verminder waar mogelijk stof bij de bron. Zorg ervoor dat de apparatuur correct wordt geïnstalleerd en gebruikt en dat er regelmatig onderhoud wordt uitgevoerd.

## Trillingsveiligheid



**WAARSCHUWING:** Lees de volgende waarschuwingen voordat u het product gaat gebruiken.

- Tijdens het gebruik van het product gaan trillingen van het product naar de gebruiker. Regelmatig en frequent gebruik van het product kan letsel bij de gebruiker veroorzaken of verergeren. Letsel kan optreden in vingers, handen, polsen, armen, schouders en/of zenuwen en bloedtoevoer of andere lichaamsdelen. Het letsel kan slepend en/of blijvend zijn, en het kan geleidelijk toenemen in de loop van weken, maanden of jaren. Het letsel kan bestaan uit schade aan het bloedsomloopstelsel, het zenuwstelsel, de gewrichten en andere lichaamsstructuren.

- Gebruik goedgekeurde ademhalingsbescherming. Zorg ervoor dat adembescherming wordt gebruikt bij gevaarlijke materialen in het werkgebied.
- Zorg ervoor dat er toereikende ventilatie in het werkgebied is.
- Richt indien mogelijk de uitlaat van het product op een plaats waar er geen stof in de lucht kan komen.

- Draag veiligheidshandschoenen.
- Gebruik laarzen met stalen neus en antislipzool.
- Gebruik goedgekeurde werkkleding of gelijkwaardige nauwsluitende kleding met lange mouwen en lange broekspijpen.

## Veiligheidsinstructies voor onderhoud

### Geluidsveiligheid



**WAARSCHUWING:** Lees de volgende waarschuwingen voordat u het product gaat gebruiken.

- Hoge geluidsniveaus en langdurige blootstelling aan lawaai kunnen gehoorverlies veroorzaken.
- Om het geluidsniveau tot een minimum te beperken, moet u het product onderhouden en bedienen zoals beschreven in de gebruikershandleiding.
- Gebruik goedgekeurde gehoorbescherming wanneer u het product gebruikt.
- Let op alarmsignalen en luide stemmen wanneer u gehoorbescherming gebruikt. Verwijder de gehoorbescherming wanneer het product is gestopt, tenzij gehoorbescherming nodig is voor het geluidsniveau in de werkomgeving.

### Persoonlijke beschermingsuitrusting



**WAARSCHUWING:** Lees de volgende waarschuwingen voordat u het product gaat gebruiken.

- Draag tijdens het gebruik van het product altijd goedgekeurde persoonlijke beschermingsuitrusting. Persoonlijke beschermingsuitrusting kunnen niet alle risico's uitsluiten maar kunnen de ernst van eventueel letsel helpen beperken. Vraag uw dealer u te helpen bij het kiezen van de juiste beschermingsuitrusting.
- Controleer regelmatig de toestand van uw persoonlijke beschermingsmiddelen.
- Draag een goedgekeurde veiligheidshelm.
- Gebruik goedgekeurde gehoorbescherming.
- Gebruik goedgekeurde ademhalingsbescherming.
- Gebruik goedgekeurde oogbescherming met zijbescherming.



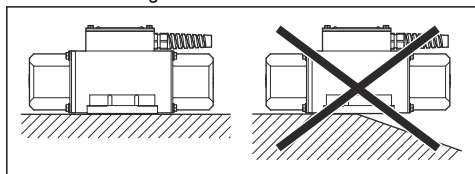
**WAARSCHUWING:** Lees de volgende waarschuwingen voordat u het product gaat gebruiken.

- Als het onderhoud niet correct en regelmatig wordt uitgevoerd, neemt de kans op letsel of schade aan het product toe.
- Maak altijd gebruik van persoonlijke beschermingsmiddelen. Zie *Persoonlijke beschermingsuitrusting op pagina 88*.
- Maak het product schoon om gevaarlijk materiaal te verwijderen voordat u het onderhoud uitvoert.
- Haal de stekker uit het stopcontact voordat u onderhoud uitvoert.
- Breng geen wijzigingen aan het product aan. Wijzigingen aan het product die niet zijn goedgekeurd door de fabrikant, kunnen leiden tot ernstig letsel of overlijden.
- Gebruik altijd originele accessoires en reserveonderdelen. Accessoires en wijzigingen die niet zijn goedgekeurd door de fabrikant, kunnen leiden tot ernstig letsel of overlijden.
- Vervang beschadigde, versleten of defecte onderdelen.
- Voer alleen onderhoud uit zoals beschreven in deze bedieningshandleiding. Laat een goedgekeurde servicewerkplaats alle andere onderhoudswerkzaamheden uitvoeren.
- Als een vervanging van de voedingskabel noodzakelijk is, moet deze worden uitgevoerd door de fabrikant of de werkplaats van de fabrikant, om veiligheidsrisico's te voorkomen.
- Controleer na onderhoud het trillingsniveau in het product. Als dit niet correct is, neemt u contact op met een erkende servicewerkplaats.
- Laat een erkende servicewerkplaats regelmatig onderhoud aan het product uitvoeren.

## Installatie

### Het product aan de bekisting bevestigen

1. Zorg ervoor dat het oppervlak van de bekisting vlak, schoon en ongeverfd is.



2. Controleer of de bekisting voldoende stijf is. Als de bekisting niet voldoende stijf is, moet deze worden versterkt met een gelaste plaat.
3. Bevestig het product met bouten of beugels aan de bekisting of aan de gelaste plaat. Zie *Het product bevestigen met bouten op pagina 89* en *Het product bevestigen met beugels op pagina 89*.

### Het product bevestigen met bouten

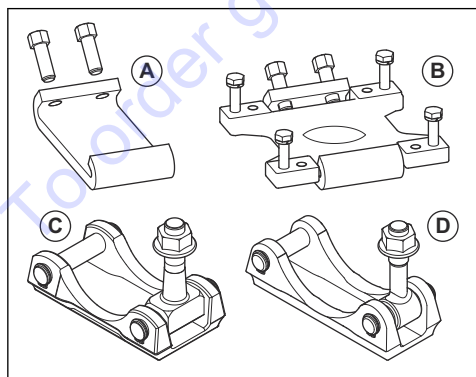
1. Bevestig het product rechtstreeks aan de bekisting of aan de montageplaat die op de bekisting is gelast. Draai de bouten vast met het juiste aanhaalmoment. Zie *Aanhaalmoment op pagina 100*.



**OPGELET:** De gebruikte bouten moeten borgschroeven zijn, gemaakt van staal met hoge weerstand. De bouten moeten een sterkte hebben van klasse 8.8 of 10.9.

2. Controleer het aanhaalmoment na de eerste 30 minuten bedrijf en vervolgens na elke 100 bedrijfsuren.

### Het product bevestigen met beugels



Span-beugel	Bestelnr.	Normale frequentie (3000 tpm 50 Hz en 3600 tpm 60 Hz)
A	594367701	ER 305. De beugel moet aan de constructie worden gelast.
B	597267501	ER 405 en ER 505. De set beugels bestaat uit een beugel (A), een bevestigingsplaat en een set bouten. De beugel moet aan de constructie worden gelast. Bevestig de montageplaat aan de beugel. Bevestig het product aan de montageplaat.

Span-beugel	Bestelnr.	Hoge frequentie (5400 tpm 60 Hz en 6000 tpm 50 Hz)
C	597157201	ER 207B. De beugel moet aan de constructie worden gelast.
D	597157101	ER 407B en ER 507B. De beugel moet aan de constructie worden gelast.

# Werking

## Inleiding



**WAARSCHUWING:** Zorg dat u het hoofdstuk over veiligheid hebt gelezen en begrepen voordat u het product gebruikt.

## Voordat u het product gebruikt

- Lees de gebruikershandleiding zorgvuldig door en zorg dat u de instructies hebt begrepen.
- Voer dagelijks onderhoud uit. Zie *Onderhoudsschema op pagina 93*.

## Centrifugaalkracht ER 105

De centrifugaalkracht kan niet worden aangepast voor ER 105.

Type, 3000 tpm, 50 Hz	Centrifugaalkracht, N
ER 105	500

Type, 3600 tpm, 60 Hz	Centrifugaalkracht, lbs
ER 105	118

## De centrifugaalkracht aanpassen ER 205

1. Verwijder de bouten en onderleggingen waarmee de eindafdekkingen zijn bevestigd. Zie *Het product demonteren op pagina 94*.
2. Verwijder de eindafdekkingen.
3. Verwijder de bouten en de onderleggingen van elk uiteinde van de rotor.
4. Verwijder de excentrische gewichten van de as en draai ze 180° om de centrifugaalkracht aan te passen. Zie *Instelling excentrische gewichten voor ER 205, 50 Hz op pagina 90* en *Instelling excentrische gewichten voor ER 205, 60 Hz op pagina 90*.

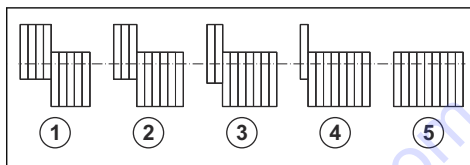


**OPGELET:** Voer de instellingen aan beide uiteinden van de rotor uit.

**Let op:** De posities voor de excentrische gewichten staan ook aangegeven op de binnenkant van de afdekkingen van de excentrische gewichten. De posities voor de producten zijn in de fabriek ingesteld op stand 4.

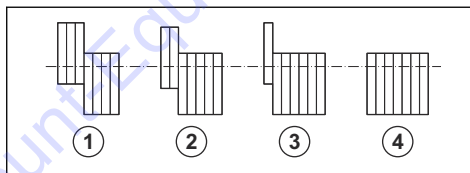
5. Monteer het product. Zie *Het product monteren op pagina 94*.

## Instelling excentrische gewichten voor ER 205, 50 Hz



Type, 3000 tpm	Centrifugaalkracht, N				
ER 205	155	470	780	1100	1400
Positie	1	2	3	4	5

## Instelling excentrische gewichten voor ER 205, 60 Hz



Type, 3600 tpm	Centrifugaalkracht, lbs			
ER 205	48	144	240	336
Positie	1	2	3	4

## De centrifugaalkracht aanpassen ER 305, ER 405 en ER 505

1. Verwijder de bouten en onderleggingen waarmee de eindafdekkingen zijn bevestigd. Zie *Het product demonteren op pagina 94*.
2. Verwijder de eindafdekkingen.
3. Verwijder de bouten en de onderleggingen van elk uiteinde van de rotor.
4. Verwijder de excentrische gewichten van de as en draai ze 180° om de centrifugaalkracht aan te passen. Zie *Instelling excentrisch gewichten voor ER 305, ER 405 en ER 505, 50 Hz op pagina 91* en *Instelling excentrisch gewichten voor ER 305, ER 405 en ER 505, 60 Hz op pagina 91*.

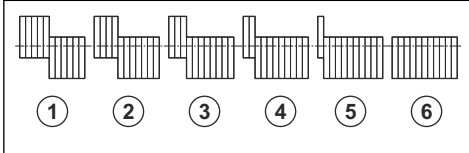


**OPGELET:** Voer de instellingen aan beide uiteinden van de rotor uit.

**Let op:** De posities voor de excentrische gewichten staan ook aangegeven op de binnenkant van de afdekkingen van de excentrische gewichten. De posities voor de producten zijn in de fabriek ingesteld op stand 4.

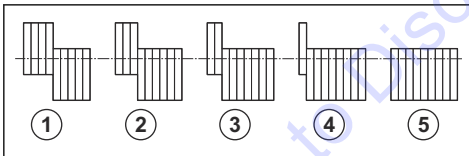
5. Monteer het product. Zie *Het product monteren op pagina 94*.

## Instelling excentrisch gewichten voor ER 305, ER 405 en ER 505, 50 Hz



Type, 3000 tpm	Centrifugaalkracht, N					
ER 305	300	840	1380	1920	2460	3000
ER 405	540	1630	2730	3820	4910	6000
ER 505	700	2040	3380	4720	6060	7400
Positie	1	2	3	4	5	6

## Instelling excentrisch gewichten voor ER 305, ER 405 en ER 505, 60 Hz



Type, 3600 tpm	Centrifugaalkracht, lbs				
ER 405	170	505	840	1175	1510
Positie	1	2	3	4	5

## De centrifugaalkracht aanpassen ER 605 en ER 705

1. Verwijder de bouten en onderleggingen waarmee de eindafdekkingen zijn bevestigd. Zie *Het product demonteren op pagina 94*.
2. Verwijder de eindafdekkingen.
3. Verwijder de bouten en de onderleggingen van elk uiteinde van de rotor.

4. Draai de bout los waarmee het mobiele excentrische gewicht aan het vaste excentrische gewicht is bevestigd. Verplaats het mobiele excentrische gewicht om de centrifugaalkracht in te stellen en draai de bout vast. Zie *Instellen excentrische gewichten voor ER 605 en ER 705, 50 Hz op pagina 91* en *Instellen excentrische gewichten voor ER 605 en ER 705, 60 Hz op pagina 91*.

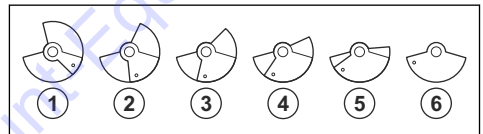


**OPGELET:** Voer de instellingen aan beide uiteinden van de rotor uit.

**Let op:** De posities voor de excentrische gewichten staan ook aangegeven op de binnenkant van de afdekkingen van de excentrische gewichten. De posities voor de producten zijn in de fabriek ingesteld op stand 4.

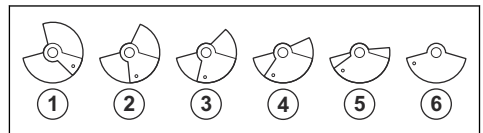
5. Monteer het product. Zie *Het product monteren op pagina 94*.

## Instellen excentrische gewichten voor ER 605 en ER 705, 50 Hz



Type, 3000 tpm	Centrifugaalkracht, N					
ER 605	4500	6000	7500	9000	10500	12000
ER 705	6000	8000	10000	12000	14000	16000
Positie	1	2	3	4	5	6

## Instellen excentrische gewichten voor ER 605 en ER 705, 60 Hz



Type, 3600 tpm	Centrifugaalkracht, lbs					
ER 605	1012	1350	1687	2025	2362	2700
ER 705	1435	1913	2391	2869	3347	3825

Type, 3600 tpm	Centrifugaalkracht, lbs					
Positie	1	2	3	4	5	6

## De centrifugaalkracht aanpassen ER 207B, ER 407B en ER 507B

1. Verwijder de bouten en onderlegingen waarmee de eindafdekkingen zijn bevestigd. Zie *Het product demonteren op pagina 94*.
2. Verwijder de eindafdekkingen.
3. Verwijder de bouten en de onderlegingen van elk uiteinde van de rotor.
4. Verwijder de excentrische gewichten van de as en draai ze 180° om de centrifugaalkracht aan te passen. Zie *Instelling excentrisch gewichten voor ER 207B, ER 407B en ER 507B, 200 Hz op pagina 92* en *Instelling excentrisch gewichten voor ER 207B, ER 407B en ER 507B, 180 Hz op pagina 92*.

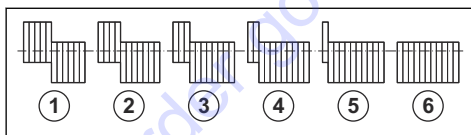


**OPGELET:** Voer de instellingen aan beide uiteinden van de rotor uit.

**Let op:** De posities voor de excentrische gewichten staan ook aangegeven op de binnenkant van de afdekkingen van de excentrische gewichten. De posities voor de producten zijn in de fabriek ingesteld op stand 4.

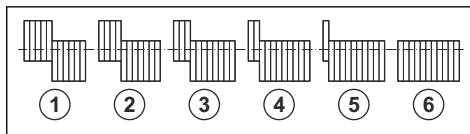
5. Monteer het product. Zie *Het product monteren op pagina 94*.

## Instelling excentrisch gewichten voor ER 207B, ER 407B en ER 507B, 200 Hz



Type, 6000 tpm	Centrifugaalkracht, N					
ER 207B	700	2040	3380	4720	6050	7400
ER 407B	1000	3000	5000	7000	9000	11000
ER 507B	1460	4380	7300	10220	13080	16000
Positie	1	2	3	4	5	6

## Instelling excentrisch gewichten voor ER 207B, ER 407B en ER 507B, 180 Hz



Type, 5400 tpm	Centrifugaalkracht, lbs					
ER 207B	120	365	610	855	1100	1345
ER 407B	180	540	540	1260	1620	1980
ER 507B	270	810	1350	1890	2430	2970
Positie	1	2	3	4	5	6

## De trilling omkeren

- Wijzig de positie van de fasegraden in de voedingskabel. Zie *Bedradingschema's op pagina 102*.

**Let op:** In de klemmendoos bevindt zich een tabel met de juiste aansluitingen.

## De werking testen vóór gebruik van het product

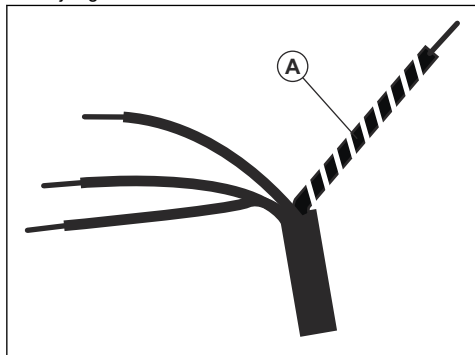
1. Monteer het product. Zie *Het product monteren op pagina 94*.
2. Controleer of het product correct is gemonteerd. Controleer of de rotoras vrij draait en niet los zit.
3. Controleer de motorisolatie naar massa. Gebruik een multimeter op 2,2 kV gedurende 5 seconden.
4. Zorg ervoor dat het product is aangesloten op de juiste spanning. Zie *Technische gegevens op pagina 98*.
5. Controleer met een multimeter of de stroom niet hoger is dan de waarde op het productplaatje.

## Het product op een stroombron aansluiten



**WAARSCHUWING:** Gebruik goedgekeurde stopcontacten en verlengkabels met goedgekeurde stekkers.

1. Sluit het product aan op de voeding met een kabel van het type HO7RN-F met één gele en groene massakabel (A). Zorg ervoor dat er geen spanning of wrijving kan ontstaan.



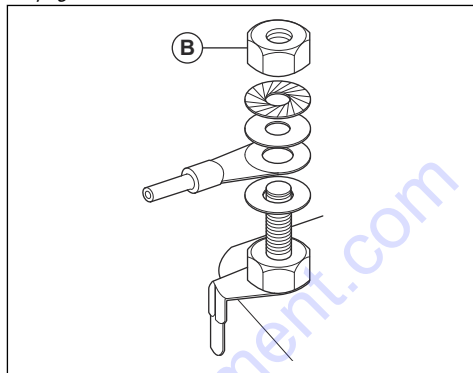
**Let op:** ER 207B, ER 407B en ER 507B hebben een aansluitkabel van 0,6 m die op een stekker is aangesloten. De kabel is van het type A07RNF 3 x 2,5 mm<sup>2</sup>.



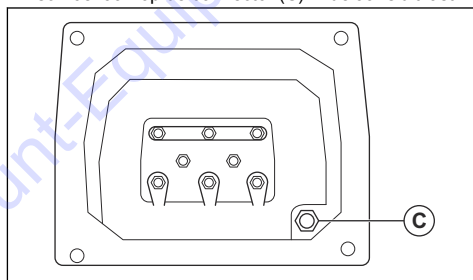
**WAARSCHUWING:** Zorg ervoor dat de aansluiting op de pennen van de aansluitkast overeenkomt met de instructies op het label "Elektrische aansluiting".

2. Zorg ervoor dat de afmeting van de aansluitkabel overeenkomt met de waarde op het typeplaatje. Houd de verbindingkabel zo kort mogelijk. Lange kabels kunnen spanningsverlies veroorzaken.

3. Breng de onderleggringen in de juiste posities aan. Draai de moeren (B) op de aansluitpennen vast met het juiste aanhaalmoment. Zie *Aanhaalmoment op pagina 100*.



4. Sluit de massakabel met een corrosiebestendige schroef aan op de connector (C) in de aansluitkast.



5. Breng de afdekking van de aansluitkast stevig aan.

## Onderhoud

### Inleiding

begrepen voordat u onderhoud aan het product gaat uitvoeren.



**WAARSCHUWING:** Zorg dat u het hoofdstuk over veiligheid hebt gelezen en

### Onderhoudsschema

Onderhoud	Vóór gebruik, elke 10 uur	Elke 2 weken, 75h	Elke 4 weken, 100h
Reinig het product.	X		
Smeer de lagers.	<i>Zie Lagersmering op pagina 100.</i>		
Controleer de lagers. Vervang de lagers indien deze versleten of beschadigd zijn.		X	
Vervang de lagers.			X

## Product reinigen



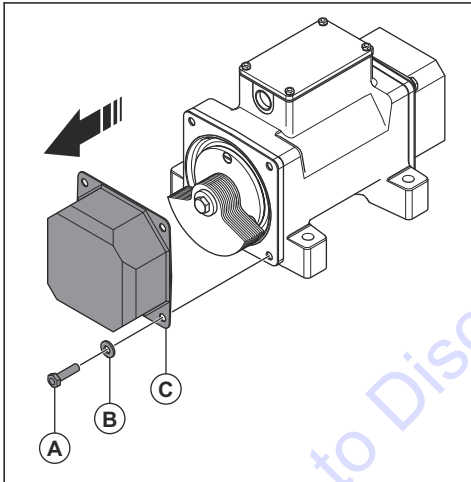
**OPGELET:** Reinig het product niet met een hogedrukspuit.

- Gebruik stromend water uit een slang om het product te reinigen.
- Verwijder na de werkzaamheden beton van de oppervlakken van het product voordat het beton hard wordt.

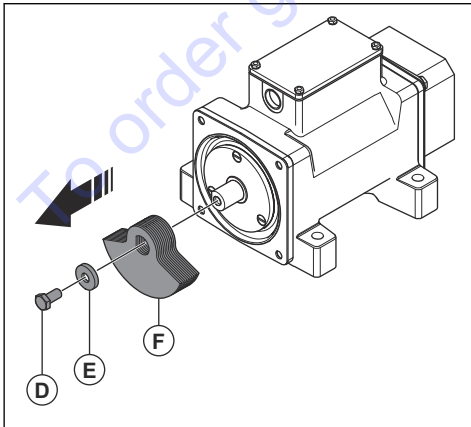
## Het product demonteren

**Let op:** Deze instructie is een algemene procedure. De procedure verschilt enigszins bij de diverse producten.

1. Verwijder de bouten (A) en de onderleggingen (B).



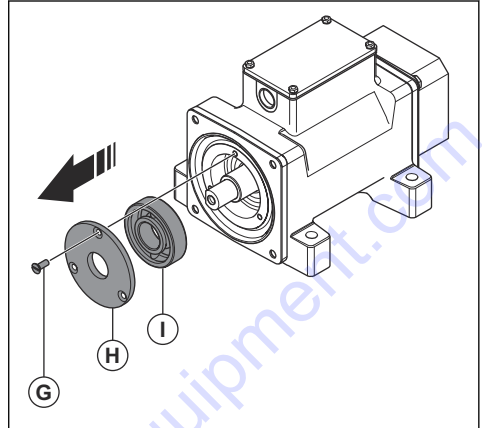
2. Verwijder de eindafdekking (C).
3. Verwijder de bout (D) en de onderlegging (E).



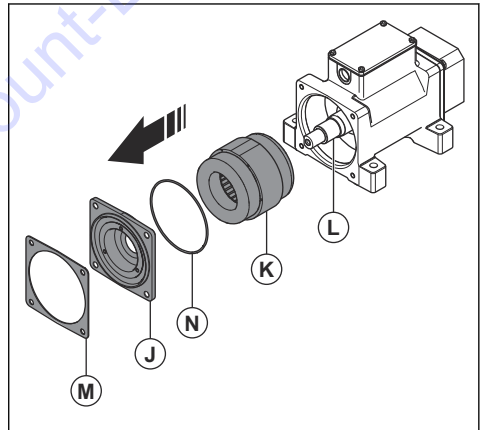
4. Verwijder de excentrische gewichten (F).

**Let op:** Noteer de posities van de excentrische gewichten.

5. Verwijder de schroeven (G) en het lagerdeksel (H).



6. Verwijder het lager (I).
7. Verwijder de lagersteun (J) en de stator (K).



**OPGELET:** Controleer de rotonwikkelingen (L) op schade. Controleer de afdichting (M) en de O-ring (N) op schade.

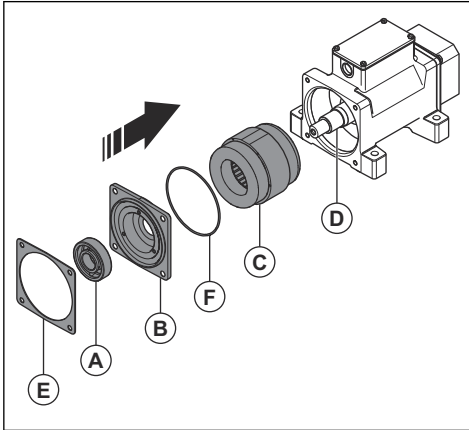
## Het product monteren

**Let op:** Deze instructie is een algemene procedure. De procedure verschilt enigszins bij de diverse producten.

1. Reinig het lager met brandstof en vul het met de juiste soort en hoeveelheid smeervet. Zie *Lagersmering op pagina 100*.



2. Druk het lager (A) in de lagersteun (B) met een lagerpers of een zachte hamer.

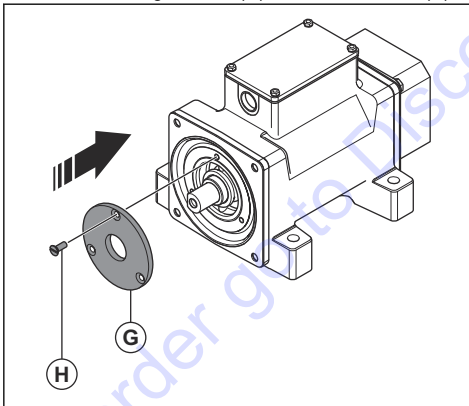


3. Plaats de stator (C) in de lagersteun. Plaats de stator en de lagersteun in het huis.

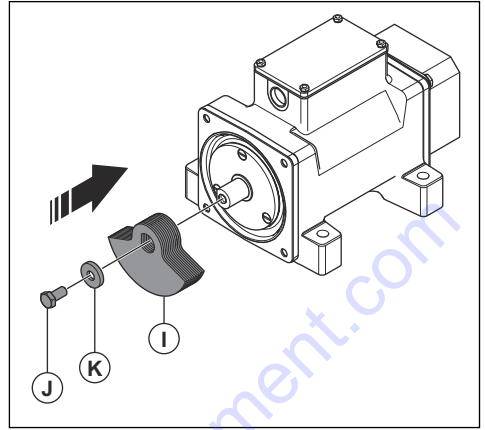


**OPGELET:** Controleer de rotorwikkelingen (D) op schade. Controleer de afdichting (E) en de O-ring (F) op schade.

4. Monteer het lagerdeksel (G) met de schroeven (H).

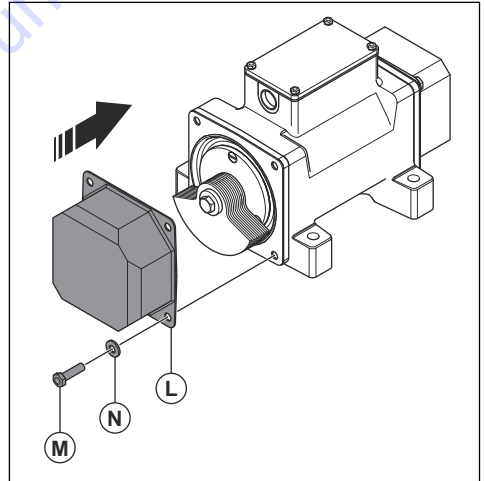


5. Monteer de excentrische gewichten (I) met de bout (J) en de onderlegging (K).



**Let op:** Gebruik de genoteerde waarden om de excentrische gewichten in de juiste posities te plaatsen. Zie *Het product demonteren op pagina 94*.

6. Monteer de eindafdekking (L) met de bouten (M) en de onderleggingen (N). Draai de bouten vast met het juiste aanhaalmoment. Zie *Aanhaalmoment op pagina 100*.



## Probleemoplossing

Probleem	Oorzaak	Inspectie	Oplossing
Het product start niet.	De voedingskabel of de stekker is defect.	N.v.t.	Vervang de voedingskabel of de stekker.
	De elektrische aansluiting in de aansluitkast is niet correct.	Controleer de elektrische aansluiting in de aansluitkast.	Wijzig de aansluiting.
	Het product werkt op 2 fasen, niet op 3.	Controleer de weerstand van de 3 fasen van de stator.	Vervang beschadigde onderdelen.
	De aardlekschakelaar wordt uitgeschakeld.	Controleer de weerstand van de stator en de isolatie naar massa van het product.	Vervang beschadigde onderdelen.
	Het product is defect.	Controleer het product op mechanische wrijving of verstopping.	Vervang beschadigde onderdelen.
De motorstroomonderbreker wordt geactiveerd.	Het type of de afstelling van de motorstroomonderbreker is onjuist.	Bekijk de informatie op het productplaatje op het product. Controleer of de motorstroomonderbreker het juiste type is.	Vervang de motorstroomonderbreker.
	De spanning is niet correct.	Controleer de spanning van de voeding.	Pas de spanning van de voeding aan
	Er is onvoldoende vermogen naar de voeding of frequentieomvormer.	N.v.t.	Zorg ervoor dat er voldoende vermogen is naar de stroombron en de frequentieomvormer.
	Het product gebruikt te veel vermogen.	Controleer of de bekisting stevig genoeg is.	Maak de bekisting steviger.
		Controleer of de bekisting beweegt.	Wijzig de afmetingen van de bekisting.
		Controleer of er te veel vet in de rollagers zit.	Breng de juiste hoeveelheid vet aan in de rollagers.
		Controleer of de lagers defect zijn.	Vervang de lagers.
Het product heeft een te lage snelheid.	De aansluiting is niet correct.	N.v.t.	De aansluiting moet worden afgesteld op de spanning.
	De frequentie is niet correct.	N.v.t.	Sluit het hoogfrequente product aan op een frequentieomvormer.
			Sluit het product met de lagere frequentie aan op de juiste voedingsbron met de correcte frequentie.
	Te veel wrijving in de lagers.	Controleer of er te veel vet in de rollagers zit.	Breng de juiste hoeveelheid vet aan in de rollagers.
		Controleer of de lagers defect zijn.	Vervang de lagers.

Probleem	Oorzaak	Inspectie	Oplossing
Het geluidsniveau is te hoog.	De lagers zijn defect.	N.v.t.	Vervang de lagers.
De trillingen van het beton zijn niet constant.	De centrifugaalkracht is te laag.	N.v.t.	Pas de centrifugaalkracht aan.
	Het product is niet correct gemonteerd.	N.v.t.	Bevestig de beugels op correcte wijze aan de bekisting.
			Bevestig het product met de juiste bouten aan de beugels.
	Het aantal gebruikte producten is niet voldoende.	N.v.t.	Voeg producten toe waar trillingen ontbreken.
Het juiste product wordt niet gebruikt.	N.v.t.	Bevestig hoogfrequente producten aan een verticale bekisting. Bevestig producten met een lagere frequentie aan een horizontale bekisting.	
De stroom is te hoog.	De werktemperatuur is te laag.	N.v.t.	Verminder de centrifugaalkracht tot de temperatuur stijgt.
	Er vindt interferentie plaats tussen producten.	N.v.t.	Pas de posities van de producten aan.
	Het product is niet correct gemonteerd.	N.v.t.	Bevestig de beugels op correcte wijze aan de bekisting.
			Bevestig het product met de juiste bouten aan de beugels.
	De centrifugaalkracht is te hoog.	N.v.t.	Pas de centrifugaalkracht aan.
Het product is te klein voor de werkzaamheden.	N.v.t.	Vervang het product.	

---

## Vervoer, opslag en verwerking

---

### Transport

Plaats het product op een pallet en gebruik een vorkheftruck om het te verplaatsen.

### Opslag

- Reinig het product voordat het wordt opgeslagen.
- Bewaar het product in een droge en vorstvrije ruimte.
- Bewaar het product in een afgesloten ruimte om toegang door kinderen of onbevoegde personen te verhinderen.

### Het product afvoeren

- Neem de plaatselijk geldende wet- en regelgeving voor recycling in acht.
- Wanneer het product niet langer wordt gebruikt, stuur het dan naar de dealer of voer het af via een recyclingslocatie.

## Technische gegevens

### Technische gegevens ER 105, ER 205, ER 305, ER 405, ER 505, ER 605, ER 705

Type	ER 105	ER 205	ER 305	ER 405	ER 505	ER 605	ER 705
Frequentie, tpm	3000						
Standaardspanning, V	240/400						
Fasen	3						
Frequentie, Hz	50						
Ingangsvermogen, W	40	90	220	550	750	1150	1500
Stroom, A	0,16/0,09	0,30/0,18	0,68/0,39	1,80/1,09	2,30/1,33	3,30/1,90	4,20/2,50

Type	ER 105	ER 205	ER 305	ER 405	ER 505	ER 605	ER 705
Frequentie, tpm	3600						
Standaardspanning, V	230/460 of 220/380						
Fasen	3						
Frequentie, Hz	60						
Ingangsvermogen, W	40	90	220	550	750	1150	1500
Stroom, A	0,16/0,08 of 0,16/0,06	0,30/0,15 of 0,30/0,12	0,60/0,30 of 0,60/0,24	1,76/0,88 of 1,76/0,70	2,00/1,00 of 2,00/0,85	3,16/1,58 of 3,16/1,26	4,16/2,08 of 4,16/1,70

Type	ER 105	ER 205	ER 305	ER 405	ER 505	ER 605	ER 705
Gewicht, kg/lbs	2,70/5,90	4,30/9,50	11,00/24,20	20,00/44,10	22,00/48,50	44,60/98,30	46,80/103,20
Montagebouten	2 × M10	2 × M10	4 × M12	4 × M12	4 × M12	4 × M16	4 × M16
<b>Geluidsemissies</b>							
Geluidsdrukniveau L <sub>p</sub> bij het oor van de gebruiker, dB(A) <sup>7</sup>	55,0	56,0	57,0	57,0	57,5	61,0	63,0

<sup>7</sup> Geluidsniveau gemeten in lucht op 1 m van het product conform EN ISO 6081. Onzekerheidsmarge: ± 3 dB

**TO PURCHASE THIS PRODUCT PLEASE CONTACT US**



**Equipment Financing and  
Extended Warranties Available**



**Discount-Equipment.com is your online resource for  
commercial and industrial quality parts and equipment sales.**

**561-964-4949**

**visit us on line @ [www.discount-equipment.com](http://www.discount-equipment.com)**

Select an option below to find your Equipment

**Search by Manufacturer**

**Search by Product Type**

**Request a Quote**

We sell worldwide for the brands: Genie, Terex, JLG, MultiQuip, Mikasa, Essick, Whiteman, Mayco, Toro Stone, Diamond Products, Generac Magnum, Airman, Haulotte, Barreto, Power Blanket, Nifty Lift, Atlas Copco, Chicago Pneumatic, Allmand, Miller Curber, Skyjack, Lull, Skytrak, Tsurumi, Husquvarna Target, Stow, Wacker, Sakai, Mi-T-M, Sullair, Basic, Dynapac, MBW, Weber, Bartell, Bennar Newman, Haulotte, Ditch Runner, Menegotti, Morrison, Contec, Buddy, Crown, Edco, Wyco, Bomag, Laymor, EZ Trench, Bil-Jax, F.S. Curtis, Gehl Pavers, Heli, Honda, ICS/PowerGrit, IHI, Partner, Imer, Clipper, MMD, Koshin, Rice, CH&E, General Equipment, Amida, Coleman, NAC, Gradall, Square Shooter, Kent, Stanley, Tamco, Toku, Hatz, Kohler, Robin, Wisconsin, Northrock, Oztec, Toker TK, Rol-Air, APT, Wylie, Ingersoll Rand / Doosan, Innovatech, Con X, Ammann, Mecalac, Makinex, Smith Surface Prep, Small Line, Wanco, Yanmar

## Technische gegevens ER 207B, ER 407B, ER 507B

Type	ER 207B	ER 407B	ER 507B
Frequentie, tpm		6000	
Standaardspanning, V		42	
Fasen		3	
Frequentie, Hz		200	
Ingangsvermogen, W	680	1000	1500
Stroom, A	12,50	16,50	23,50

Type	ER 207B	ER 407B	ER 507B
Frequentie, tpm		5400	
Standaardspanning, V		42	
Fasen		3	
Frequentie, Hz		180	
Ingangsvermogen, W	705	1000	1500
Stroom, A	13,00	15,80	23,50

Type	ER 207B	ER 407B	ER 507B
Gewicht, kg/lbs	10,50/23,15	15,50/34,18	23,20/51,16
<b>Geluidsemissies</b>			
Geluidsdrukniveau $L_p$ bij het oor van de gebruiker, dB(A) <sup>8</sup>	91,3	95,6	97,6

### Verklaring inzake geluid- en trillingsemissies

Deze aangegeven waarden zijn verkregen door middel van typeonderzoek in een laboratorium in overeenstemming met de genoemde richtlijn of normen en zijn geschikt voor vergelijking met aangegeven waarden van andere producten die volgens dezelfde richtlijn of normen zijn getest. Deze aangegeven waarden zijn niet geschikt voor gebruik ten behoeve van risicoanalyses. Waarden die worden gemeten op afzonderlijke werkplekken, kunnen hoger zijn. De werkelijke blootstellingswaarden en het risico op letsel dat een individuele gebruiker ondervindt, zijn uniek en

zijn afhankelijk van de manier waarop de gebruiker werkt, het materiaal waarvoor het product gebruikt wordt, de blootstellingstijd en de fysieke toestand van de gebruiker en de toestand van het product.

<sup>8</sup> Geluidsniveau gemeten in lucht op 1 m van het product conform EN ISO 6081. Onzekerheidsmarge:  $\pm 3$  dB

## Lagersmering

Type	ER 105 , ER 205	ER 405 , ER 505	ER 305 , ER 207B	ER 605 , ER 705	ER 407B	ER 507B
Lagertype	6201.ZZ.QE6	6305.ZZ	6306	6408	NJ2304	NJ2306
SKF-suffix	N.v.t.	C3	C3	C3	ECP.C3	ECP.C3
Fag-suffix	N.v.t.	C3	C3	C3	N.v.t.	N.v.t.
Hoeveelheid vet, g/lbs	N.v.t.	N.v.t.	10/0,02	25/0,05	2/0,004	3/0,006
Smeerinterval, bedrijfsuren	Smering is niet nodig.	Smering is niet nodig.	2000	2000	2000	2000
Type smeervet	N.v.t.	N.v.t.	TRIBOL 3030/100 met T.G.O.A.	TRIBOL 3030/100 met T.G.O.A.	TRIBOL 3030/100 met T.G.O.A.	TRIBOL 3030/100 met T.G.O.A.

## Aanhaalmoment

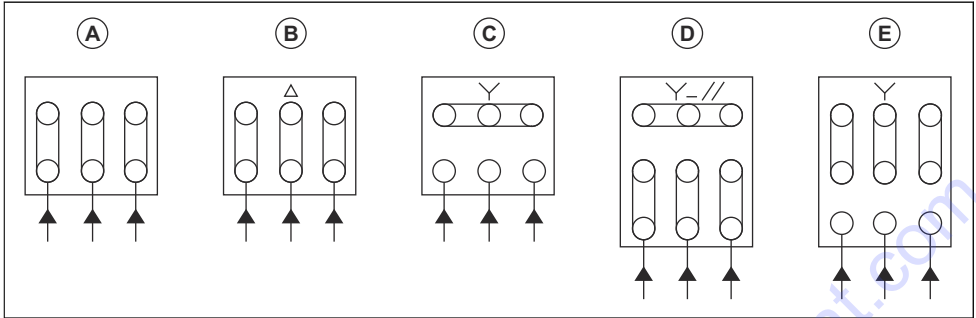
Type	Aanhaalmoment, Nm/ft lb	
	Borgschroef	Moer van klemblok
M4	3,92 / 2,9	1,17/0,87
M5	6,37 / 4,8	1,96 / 1,45
M6	9,80 / 7,0	2,94 / 2,17
M8	22,55 / 16,6	6,37 / 4,7
M10	47,07 / 34,7	N.v.t.
M12	78,45 / 58,0	N.v.t.
M14	127,48 / 94,00	N.v.t.
M16	186,32/137,00	N.v.t.
M18	264,77/195,00	N.v.t.
M20	372,65 / 275,00	N.v.t.
M22	549,17 / 411,00	N.v.t.
M24	696,27/513,00	N.v.t.
M27	980,65 / 720,00	N.v.t.
M30	1274,86/940,00	N.v.t.

## Elektriciteitsvoorziening

	3000 tpm, 50 Hz	6000 tpm, 50 Hz	3600 tpm, 60 Hz	5400 tpm, 60 Hz
Beschermingsklasse	IP 65			
Motorisolatie, klasse/°C/°F	F/155/310			
Omgevingstemperatuur, °C/°F	-10 tot +40/14 tot 104			
Spanning	230/460 V-3-50 Hz	42 tot 48 V-3-200 Hz, voeding frequentieomvormer	230/460 V-3-60 Hz 220/380 V-3-60 Hz	42 tot 48 V-3-180 Hz, voeding frequentieomvormer
Spanningsnauwkeurigheid, %	±5	N.v.t.	±5	N.v.t.
Frequentienauwkeurigheid, %	±1	N.v.t.	±1	N.v.t.

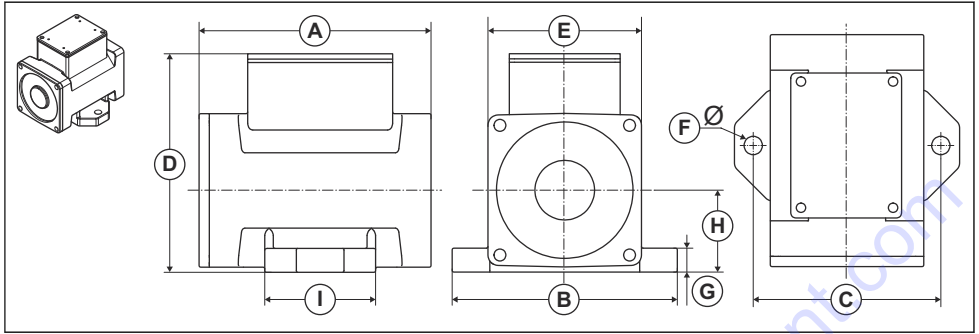


## Bedradingsschema's



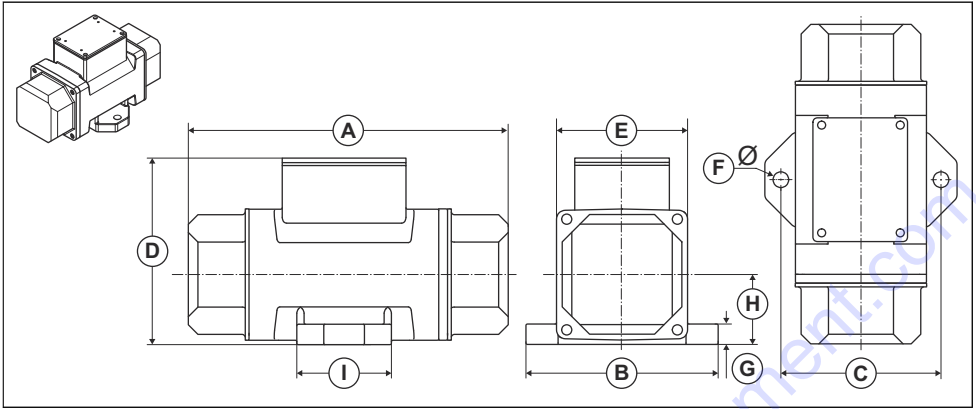
	Type	Spanning, V	Fasen	Frequentie, Hz
A	2	500	3	50
A	2	600	3	60
B	0	230	3	50
B	1	220	3	60
B	6	240	3	50
B	7	230	3	60
B	8	280	3	60
C	0	400	3	50
C	1	380	3	60
C	6	415	3	50
C	7	400	3	60
C	8	480	3	60
D	3	220	3	60
D	4	230	3	60
E	3	440	3	60
E	4	460	3	60

# Productafmetingen ER 105



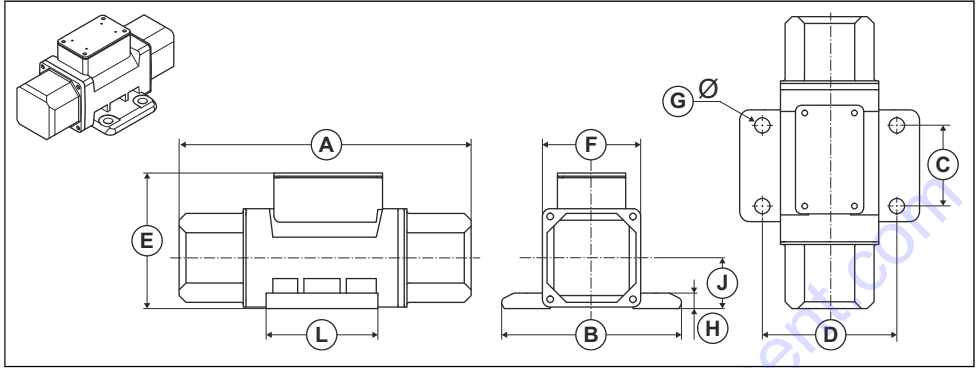
Type	ER 105
A, mm/inch	141/5,5
B, mm/inch	132/5,2
C, mm/inch	110/4,3
D, mm/inch	132/5,2
E, mm/inch	90/3,5
F, mm/inch	11/0,4
G, mm/inch	14/0,5
H, mm/inch	48/1,9
I, mm/inch	65/2,5

## Productafmetingen ER 205



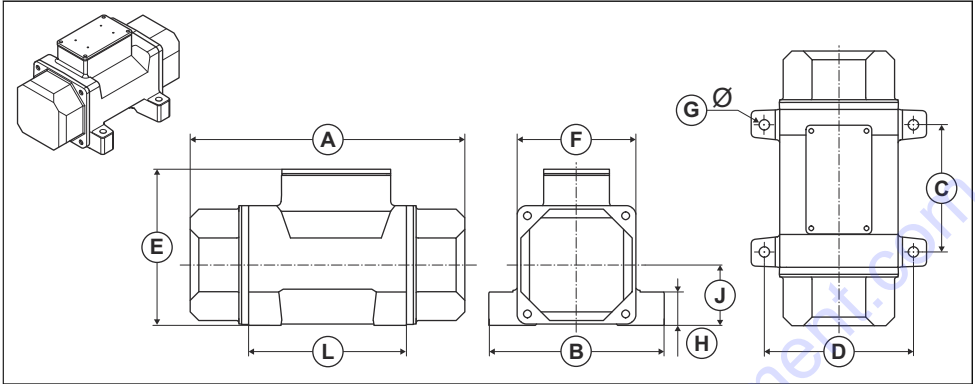
Type	ER 205
A, mm/inch	216/8,5
B, mm/inch	132/5,2
C, mm/inch	110/4,3
D, mm/inch	132/5,2
E, mm/inch	90/3,5
F, mm/inch	11/0,4
G, mm/inch	14/0,5
H, mm/inch	48/1,9
I, mm/inch	65/2,5

# Productafmetingen ER 305



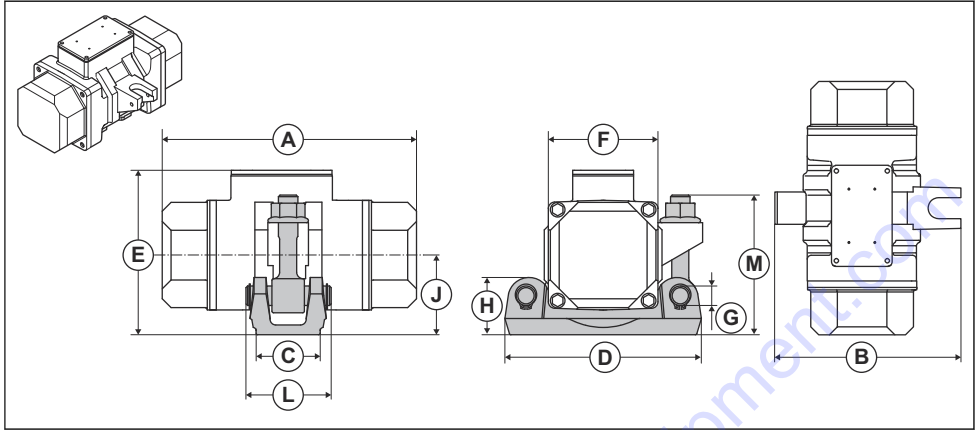
Type	ER 305
A, mm/inch	285/11,2
B, mm/inch	174/6,8
C, mm/inch	78/3,0
D, mm/inch	130/5,1
E, mm/inch	135/5,3
F, mm/inch	95/3,7
G, mm/inch	15/0,6
H, mm/inch	15/0,6
J, mm/inch	49/1,9
L, mm/inch	110/4,3

## Productafmetingen ER 405, ER 505, ER 605, ER 705



Type	ER 405	ER 505	ER 605	ER 705
A, mm/inch	312/12,2	312/12,2	369/14,5	369/14,5
B, mm/inch	200/7,8	200/7,8	280/11,0	280/11,0
C, mm/inch	145/5,7	145/5,7	150/5,9	150/5,9
D, mm/inch	170/6,6	170/6,6	240/9,4	240/9,4
E, mm/inch	179/7,0	179/7,0	235/9,25	235/9,25
F, mm/inch	135/5,3	135/5,3	190/7,5	190/7,5
G, mm/inch	14/0,5	14/0,5	18/0,7	18/0,7
H, mm/inch	40/1,6	40/1,6	50/1,9	50/1,9
J, mm/inch	69/2,7	69/2,7	97/3,8	97/3,8
L, mm/inch	176/6,9	176/6,9	194/7,6	194/7,6

## Productafmetingen ER 207B, ER 407B, ER 507B



Type	ER 207B	ER 407B	ER 507B
A, mm/inch	285/11,2	274/10,8	312/12,3
B, mm/inch	172/6,8	230/9,1	230/9,1
C, mm/inch	85/3,3	80/3,1	80/3,1
D, mm/inch	183/7,2	242/9,5	242/9,5
E, mm/inch	166/6,5	195/7,7	210/8,3
F, mm/inch	95/3,7	115/4,5	136/5,4
H, mm/inch	50/2,0	73/2,9	73/2,9
J, mm/inch	80/3,1	100/3,9	100/3,9
L, mm/inch	106/4,2	116/4,6	116/4,6
M, mm/inch	138/5,4	173/6,8	173/6,8

---

## EG verklaring van overeenstemming

---

### EG verklaring van overeenstemming

<b>Beschrijving</b>	<b>Betontrilnaald</b>
<b>Merk</b>	Husqvarna
<b>Type/model</b>	ER 105, ER 205, ER 305, ER 405, ER 505, ER 605, ER 705, ER 207B, ER 407B, ER 507B
<b>Identificatie</b>	Serienummers vanaf 2020 en verder

volledig voldoet aan de volgende EU-richtlijnen en -regelgeving:

<b>Richtlijn/Verordening</b>	<b>Beschrijving</b>
2006/42/EG	"betreffende machines"

en dat de volgende geharmoniseerde normen en/of technische specificaties zijn toegepast:

EN 12649

Partille, 2021-03-26



To order go to [Discount-Equipment.com](http://Discount-Equipment.com)

Original instructions  
Originalanweisungen  
Instructions d'origine  
Originele instructies

1142536-20



2021-04-26



**TO PURCHASE THIS PRODUCT PLEASE CONTACT US**



**Equipment Financing and  
Extended Warranties Available**



**Discount-Equipment.com is your online resource for  
commercial and industrial quality parts and equipment sales.**

**561-964-4949**

**visit us on line @ [www.discount-equipment.com](http://www.discount-equipment.com)**

Select an option below to find your Equipment

**Search by Manufacturer**

**Search by Product Type**

**Request a Quote**

We sell worldwide for the brands: Genie, Terex, JLG, MultiQuip, Mikasa, Essick, Whiteman, Mayco, Toro Stone, Diamond Products, Generac Magnum, Airman, Haulotte, Barreto, Power Blanket, Nifty Lift, Atlas Copco, Chicago Pneumatic, Allmand, Miller Curber, Skyjack, Lull, Skytrak, Tsurumi, Husquvarna Target, Stow, Wacker, Sakai, Mi-T-M, Sullair, Basic, Dynapac, MBW, Weber, Bartell, Bennar Newman, Haulotte, Ditch Runner, Menegotti, Morrison, Contec, Buddy, Crown, Edco, Wyco, Bomag, Laymor, EZ Trench, Bil-Jax, F.S. Curtis, Gehl Pavers, Heli, Honda, ICS/PowerGrit, IHI, Partner, Imer, Clipper, MMD, Koshin, Rice, CH&E, General Equipment, Amida, Coleman, NAC, Gradall, Square Shooter, Kent, Stanley, Tamco, Toku, Hatz, Kohler, Robin, Wisconsin, Northrock, Oztec, Toker TK, Rol-Air, APT, Wylie, Ingersoll Rand / Doosan, Innovatech, Con X, Ammann, Mecalac, Makinex, Smith Surface Prep, Small Line, Wanco, Yanmar