



SPARE PARTS LIST

SURFACE PREPARATION EQUIPMENT

PG 280, from Serial number 2014 140001
and forward, 2014-06

Go to Discount-Equipment.com to order your parts



PARTS FINDER

**Search Website
by Part Number**



**Search Manual
Library For Parts
Manual & Lookup Part
Numbers – Purchase
or Request Quote**

Search Manuals

Enter your information to help us find the right parts manual for your machine.

* Brand:

* Model:

* Serial:

* Part Number:

SEARCH

**Can't Find Part or
Manual? Request Help
by Manufacturer,
Model & Description**

Parts Order Form

Please fill in the following information to help us find the right part for your machine.

Manufacturer:	<input type="text"/>
Model:	<input type="text"/>
Description:	<input type="text"/>
Part Number:	<input type="text"/>
Quantity:	<input type="text"/>
Notes:	<input type="text"/>

Submit

Discount-Equipment.com is your online resource for quality parts & equipment.

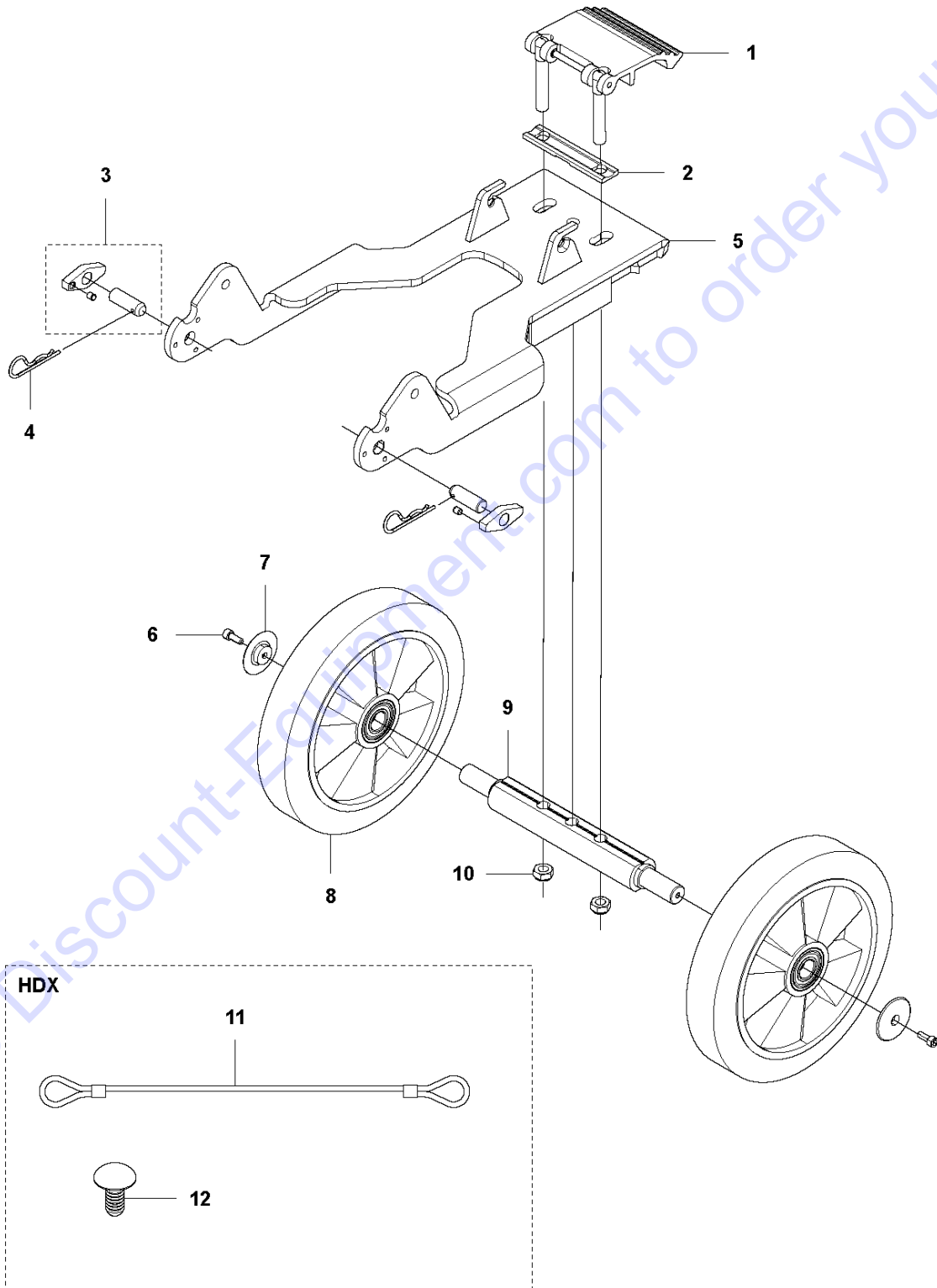
Florida: **561-964-4949** Outside Florida TOLL FREE: **877-690-3101**

Need parts?

Click on this link: <http://www.discount-equipment.com/category/5443-parts/> and choose one of the options to help get the right parts and equipment you are looking for. Please have the machine model and serial number available in order to help us get you the correct parts. If you don't find the part on the website or on one of the online manuals, please fill out the request form and one of our experienced staff members will get back to you with a quote for the right part that your machine needs.

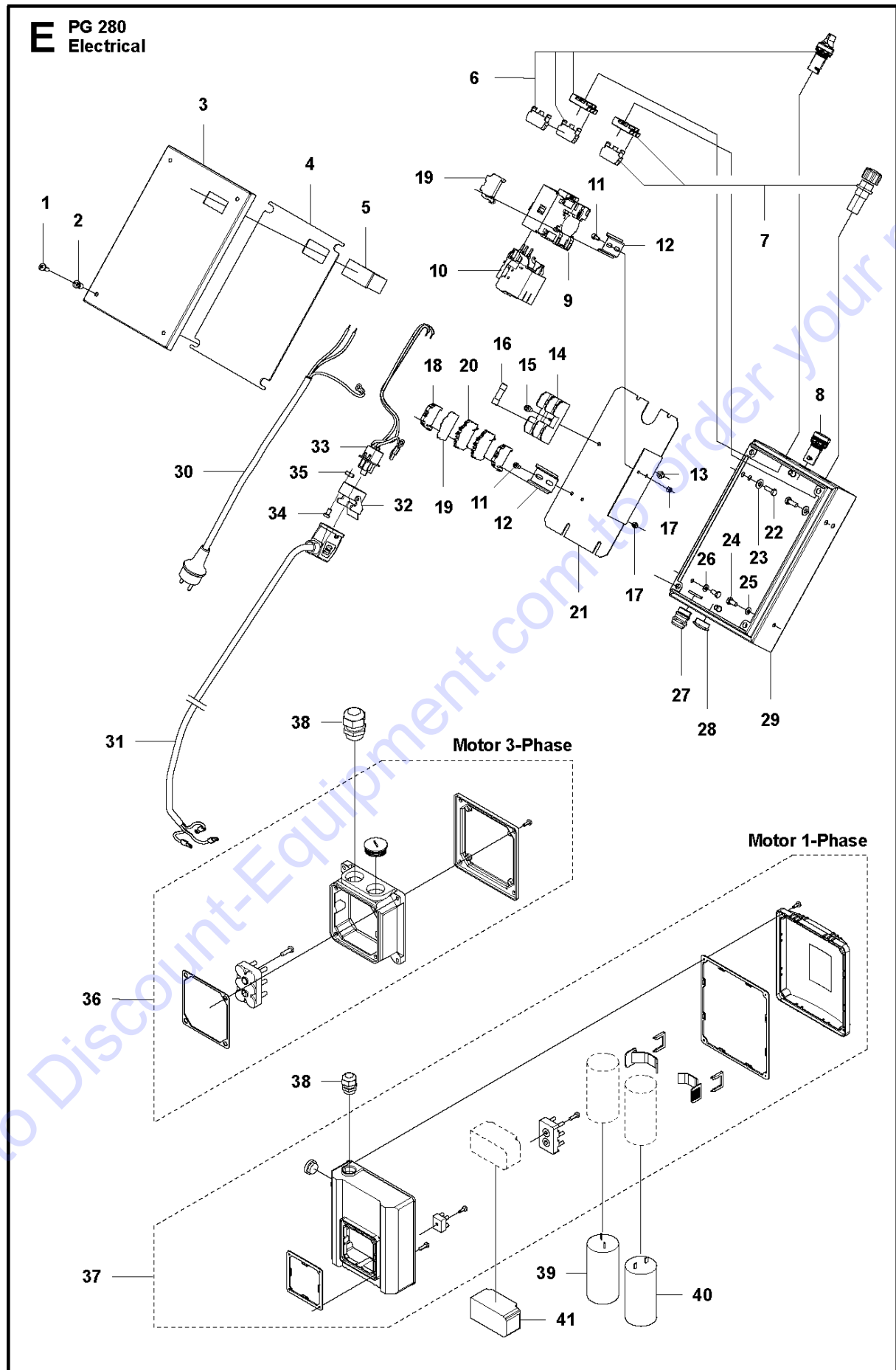
We sell worldwide for the brands: Genie, Terex, JLG, MultiQuip, Mikasa, Essick, Whiteman, Mayco, Toro Stone, Diamond Products, Generac Magnum, Airman, Haulotte, Barreto, Power Blanket, Nifty Lift, Atlas Copco, Chicago Pneumatic, Allmand, Miller Curber, Skyjack, Lull, Skytrak, Tsurumi, Husquvarna Target, Stow, Wacker, Sakai, Mi-T-M, Sullair, Basic, Dynapac, MBW, Weber, Bartell, Bennar Newman, Haulotte, Ditch Runner, Menegotti, Morrison, Contec, Buddy, Crown, Edco, Wyco, Bomag, Laymor, EZ Trench, Bil-Jax, F.S. Curtis, Gehl Pavers, Heli, Honda, ICS/PowerGrit, IHI, Partner, Imer, Clipper, MMD, Koshin, Rice, CH&E, General Equipment, Amida, Coleman, NAC, Gradall, Square Shooter, Kent, Stanley, Tamco, Toku, Hatz, Kohler, Robin, Wisconsin, Northrock, Oztec, Toker TK, Rol-Air, APT, Wylie, Ingersoll Rand / Doosan, Innovatech, Con X, Ammann, Mecalac, Makinex, Smith Surface Prep, Small Line, Wanco, Yanmar

C PG 280
Chassi



Ref	Part No	Description	Remark	QTY KIT
1	587 03 29-01	PEDAL ASSY		1
2	586 92 75-01	WASHER		1
3	586 99 17-01	BOLT		2
3	586 99 17-03	BOLT	HDX variant only	2
4	721 68 02-51	SPRING COTTER		2
5	585 14 05-01	FRAME		1
6	725 53 68-51	SCREW IHSCM		2
7	501 32 12-01	WASHER		2
8	504 18 55-01	WHEEL		2
9	585 14 12-01	AXLE		1
10	732 25 22-01	HEXAGON LOCKING NUT		2
11	586 29 64-01	WIRE	HDX variant only	4
12	586 82 91-01	RIVET	HDX variant only	6

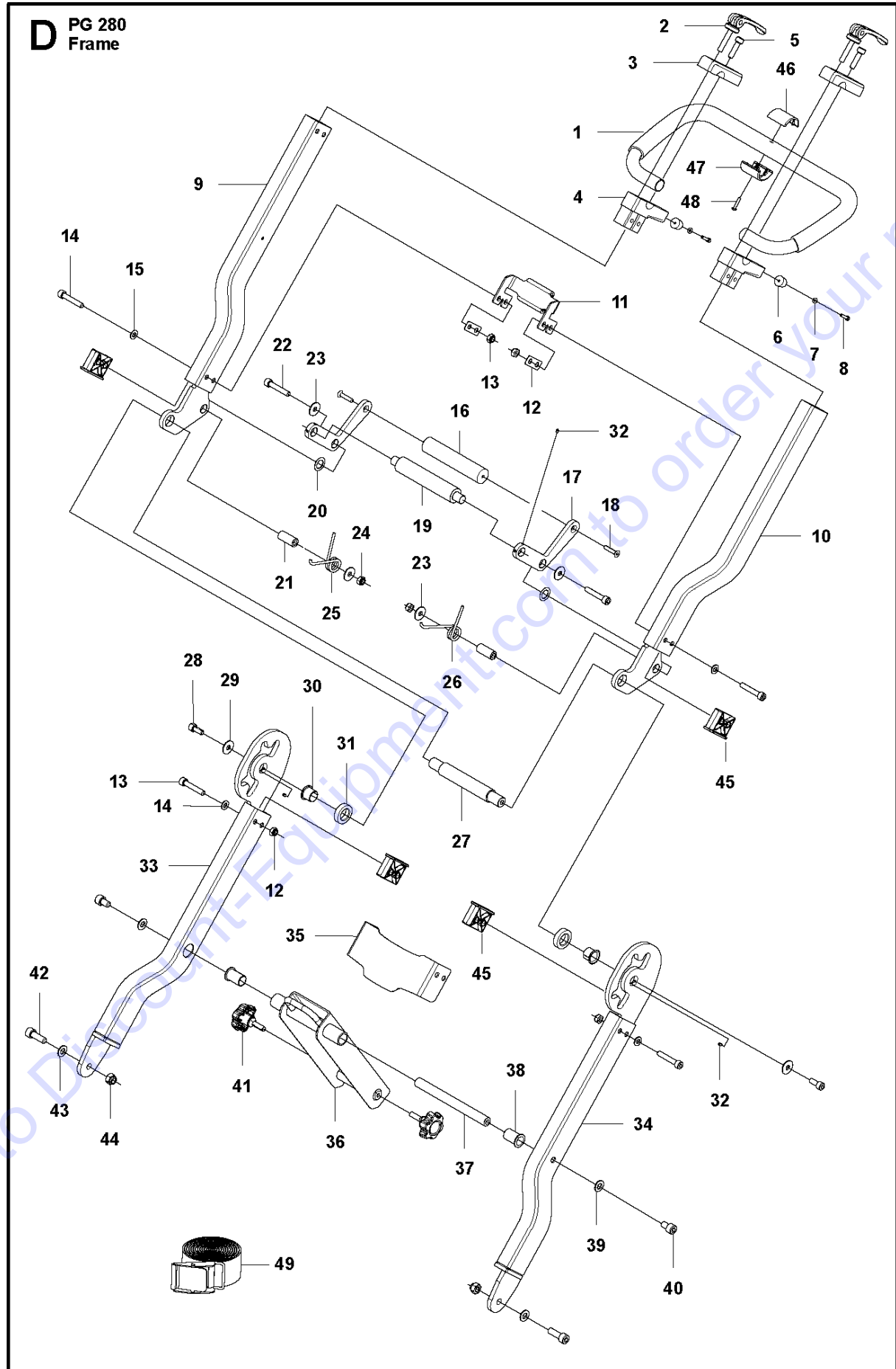
Go to Discount-Equipment.com to order your parts



Ref	Part No	Description	Remark	QTY KIT
1	724 13 68-51	SCREW CRPANM		4
2	521 88 66-01	RIVET		4
3	586 47 43-01	LID		1
3	586 47 43-03	LID	HDX version only	1
4	586 46 70-01	SEALING	Attach with double-sided tape	1
5	584 29 63-01	HOUR METER		1
6	586 99 15-01	SWITCH KIT		1
7	586 99 16-01	SWITCH KIT		1
8	584 29 71-01	LAMP	230V	1
8	584 29 71-02	LAMP	110V	1
8	584 29 71-03	LAMP	400V	1
9	585 36 58-03	CONTACTOR	400-480V, 50/60Hz	1
9	585 36 58-01	CONTACTOR	200-230V, 50/60Hz	1
9	585 36 58-02	CONTACTOR	100-120V, 60Hz	1
9	586 99 18-01	CONTACTOR	100-120V, 50Hz	1
10	584 29 78-06	RELAY	3 phase	1
10	584 29 78-01	RELAY	1 phase, 220-240V, 60Hz	1
10	580 62 35-02	PROTECTION	1 phase, 220-240V, 50Hz	1
10	580 62 35-01	PROTECTION	1 phase, 100-120V, 60Hz	1
10	584 29 78-05	RELAY	1 phase, 100-120V, 50Hz	1
11	725 53 25-01	SCREW IHSCM		4
12	522 74 70-01	RAIL		2
13	731 23 16-01	HEXAGON NUT		1
14	525 88 26-01	FUSE HOLDER		1
15	725 53 64-55	SCREW IHSCM		1
16	525 63 81-01	FUSE		2
17	732 25 14-01	HEXAGON LOCKING NUT		4
18	585 36 61-05	TERMINAL BLOCK		3
19	585 36 61-03	TERMINAL BLOCK		1
19	585 36 61-07	TERMINAL BLOCK	US 1ph 100-120V	1
20	585 61 35-01	TERMINAL BLOCK	2pcs for 1ph and 3pcs for 3ph machines	2
20	585 36 61-01	TERMINAL BLOCK	US 1ph 100-120V	2
21	585 59 38-01	PLATE		1
22	725 24 51-71	SCREW EHHM		4
23	734 11 63-01	WASHER		4
24	725 23 66-71	SCREW EHHM		2
25	734 11 52-01	WASHER		1
26	735 21 53-01	LOCKWASHER		1
27	575 48 98-01	GROMMET		1
27	587 10 12-01	GROMMET	US 1-Phase	1
28	586 58 69-01	PLUG		1
28	586 58 69-02	PLUG	US 1-Phase	1
29	586 47 42-01	BOX		1
29	586 47 42-02	BOX	HDX version only	
30	586 23 68-03	CABLE	1 phase	1
30	586 23 78-01	CABLE	3 phase	1
30	586 23 68-02	CABLE	1 phase, AUS	1
30	586 23 68-06	CABLE	1 phase, UK	1
30	586 23 68-12	CABLE	1 phase, US 120V	1
30	586 23 68-13	CABLE	1 phase, US 240V	1
30	586 23 68-08	CABLE	1 phase BR	1
30	586 23 68-05	CABLE	1 phase JP	1
31	585 63 81-07	CABLE	3 phase	1
31	585 63 81-08	CABLE	1 phase, UK and JP	1
31	585 63 81-10	CABLE	1 phase US/CAN 220-240V	1
31	585 63 81-11	CABLE	1 phase US/CAN 100-120V	1
32	587 06 15-01	CONNECTOR		1
33	585 36 66-02	CONNECTOR		1
34	725 52 24-01	SCREW		2
35	732 25 10-01	HEXAGON LOCKING NUT		2
36	587 17 39-02	ELECTRONIC BOX	3 Phase	1

Ref	Part No	Description	Remark	QTY KIT
37	587 17 39-01	ELECTRONIC BOX	1 ph 230V, 50Hz	1
38	587 17 42-02	GROMMET	3 Phase	1
38	587 17 42-01	GROMMET	1 phase	1
38	587 16 33-01	GROMMET	1ph 100-120V kit	1
39	587 17 45-01	CAPACITOR	208-230V, 50/60 Hz	1
39	587 17 45-02	CAPACITOR	110V, 50/60 Hz	1
40	587 17 44-01	CAPACITOR	230V, 50Hz	1
40	587 17 44-02	CAPACITOR	208-230V, 60 Hz	1
40	587 17 44-03	CAPACITOR	110V, 50/60 Hz	1
41	587 17 43-01	SWITCH	230V, 50Hz	1
41	587 17 43-02	SWITCH	208-230V, 60Hz	1
41	587 17 43-03	SWITCH	110V, 50-60 Hz	1

Go to Discount-Equipment.com to order your parts



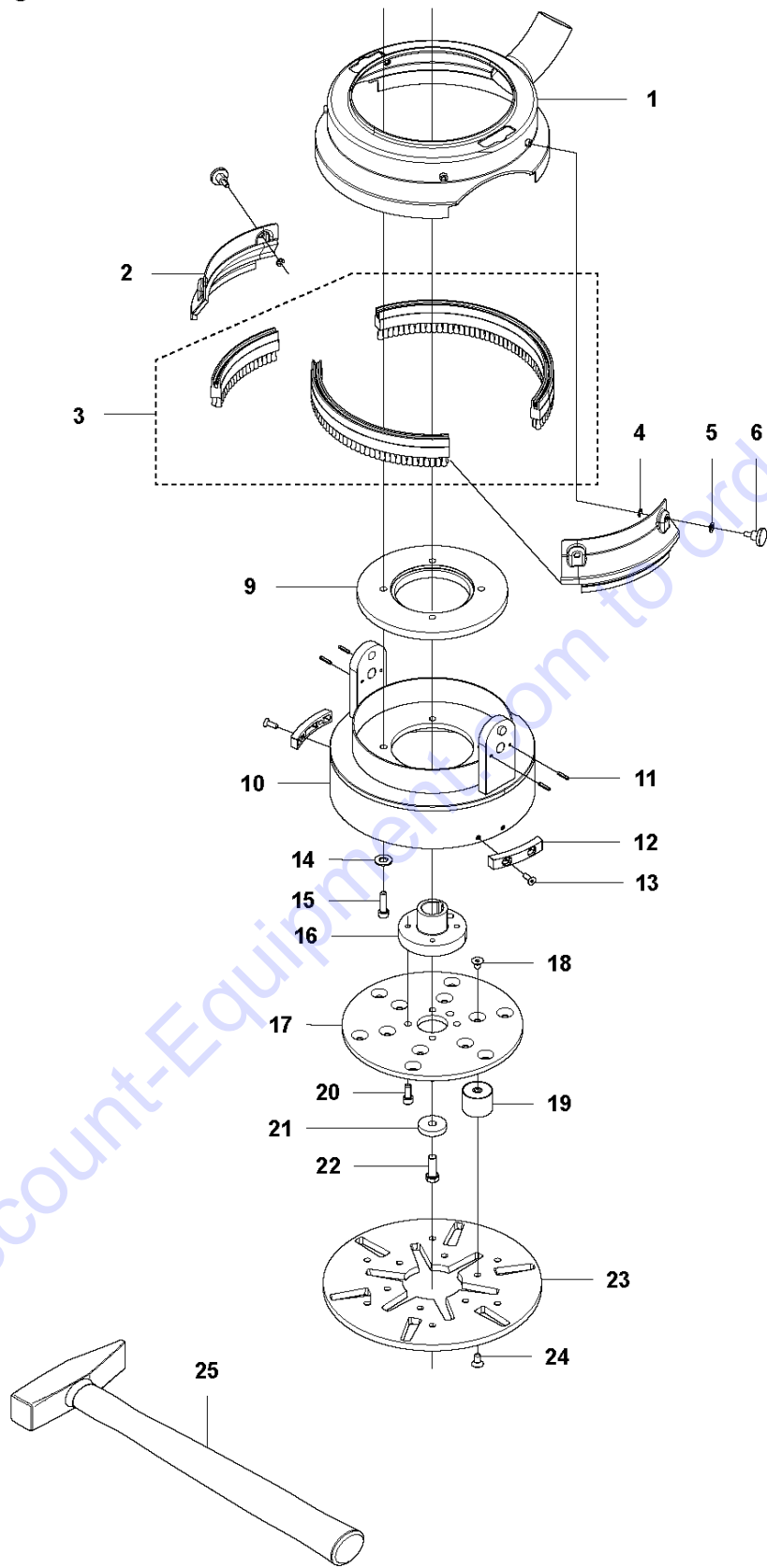
FRAME

PG 280, from Serial number 2014 140001 and forward, 2014-06

Ref	Part No	Description	Remark	QTY KIT
1	585 14 40-01	HANDLE		1
2	585 12 92-01	LOCKING HANDLE		2
3	585 51 66-01	BRACKET		2
4	585 51 67-01	BRACKET		2
5	725 54 55-21	SCREW IHSCM		2
6	585 51 68-01	RUBBER SHOE		2
7	734 11 36-01	WASHER		2
8	725 52 95-01	SCREW IHSCM		2
9	585 57 35-01	FORK		1
10	585 57 35-02	FORK		1
11	585 38 28-02	BRACKET		1
12	585 38 31-01	WASHER		2
13	732 25 18-01	HEXAGON LOCKING NUT		8
14	725 54 60-01	SCREW IHSCM		8
15	734 11 63-01	WASHER		8
16	585 13 37-02	HANDLE		1
17	585 13 33-01	PLATE		2
18	725 63 74-51	SCREW		2
19	585 13 38-02	ROD		1
20	585 41 62-01	WASHER		2
21	585 38 33-01	SLEEVE		2
22	725 54 61-01	SCREW IHSCM		2
23	734 11 65-41	WASHER		4
24	732 25 18-01	HEXAGON LOCKING NUT		2
25	585 41 73-01	SPRING		1
26	585 41 61-01	SPRING		1
27	585 13 36-02	TUBE		1
28	725 54 51-01	SCREW IHSCM		2
29	734 11 65-41	WASHER		2
30	585 41 60-01	BUSH		2
31	585 13 35-01	SPACER		2
32	728 82 85-01	SCREW IHSETM		6
33	585 16 21-01	FORK		1
34	585 16 21-02	FORK		1
35	585 38 30-02	BRACKET		1
35	585 38 30-04	BRACKET	HDX variant only	1
36	585 14 18-01	SUPPORT		1
37	585 12 90-01	TUBE		1
38	585 12 91-01	BUSH		2
39	734 11 72-01	WASHER		2
40	725 54 89-01	SCREW IHSCM		2
41	586 91 28-01	KNOB		2
42	725 54 95-01	SCREW IHSCM		2
43	734 11 72-01	WASHER		2
44	732 25 20-01	HEXAGON LOCKING NUT		2
45	585 13 29-01	SPACER		4
46	587 15 85-01	COVER		1
47	587 15 86-01	COVER		1
48	729 52 61-71	SCREW CRPANT		1
49	584 61 87-01	STRAP		1

Go to DisposalEquipment.com to order your parts

B PG 280
Grinding Head



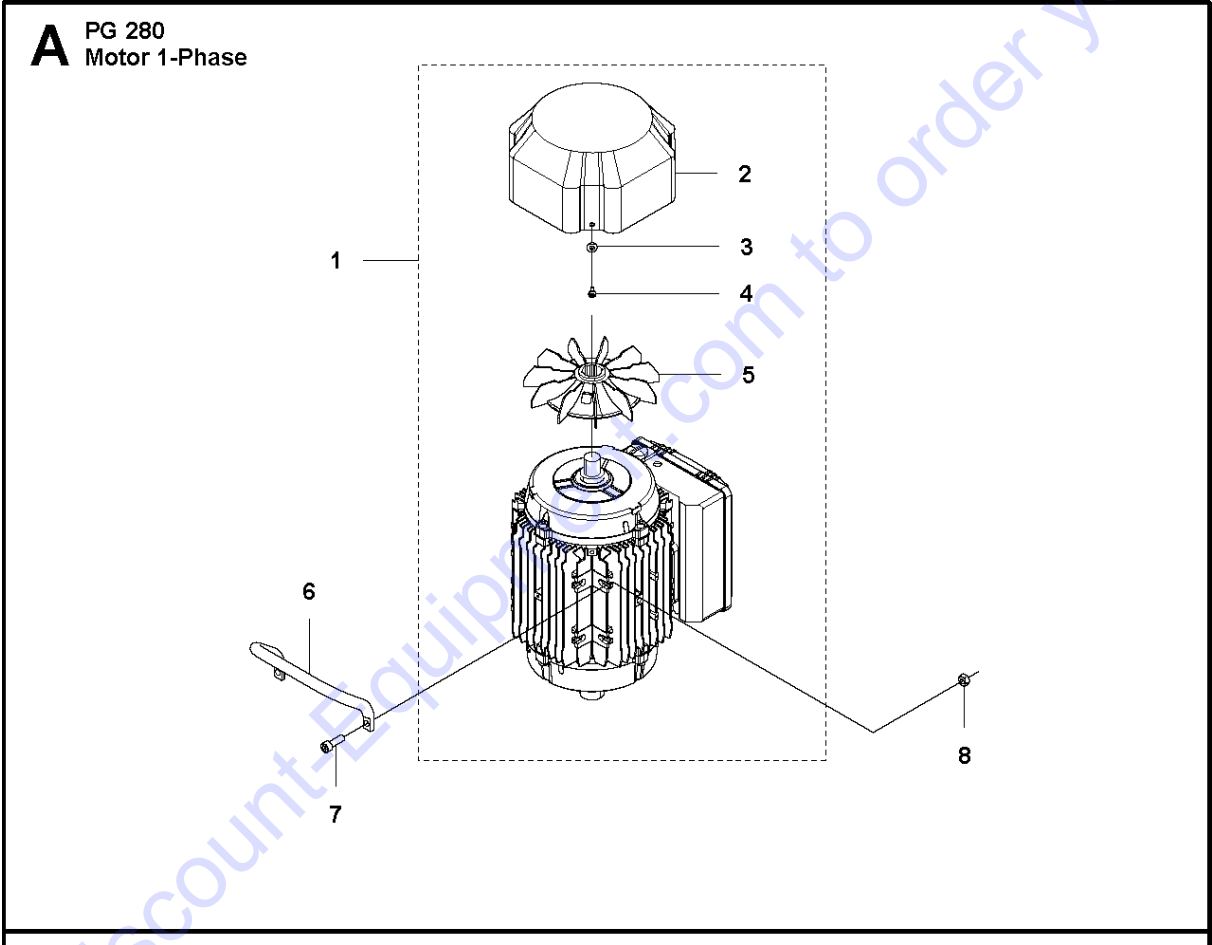
Go to Discount-Equipment.com to order your parts

GRINDING HEAD

PG 280, from Serial number 2014 140001 and forward, 2014-06

Ref	Part No	Description	Remark	QTY KIT
1	585 13 87-01	COVER		1
2	586 99 93-01	COVER LID		2
3	582 63 99-01	BRUSH KIT		1
4	735 58 35-01	WASHER		4
5	734 11 52-60	WASHER		4
6	510 36 16-01	SCREW		4
9	585 52 44-01	SPACER		1
10	585 12 83-01	MOUNTING PLATE		1
10	585 12 83-02	MOUNTING PLATE	HDX variant only	1
11	721 42 56-01	SPRING PIN		4
12	585 41 11-01	BRACKET		2
13	725 63 69-01	SCREW IHCSFM		4
14	734 11 63-01	WASHER		4
15	725 54 55-21	SCREW IHSCM		4
16	585 51 47-01	HUB		1
17	510 21 30-01	ATTACHMENT PLATE		1
18	725 64 47-55	SCREW IHCSFM		6
19	510 21 31-01	DAMPER		6
20	725 54 51-55	SCREW IHSCM		4
21	510 23 51-01	WASHER		1
22	725 24 95-71	SCREW EHHM		1
23	586 79 67-01	HOLDER		1
24	725 64 49-55	SCREW IHCSFM		6
25	522 03 97-01	HAMMER		1

Go to Discount-Equipment.com to order your parts

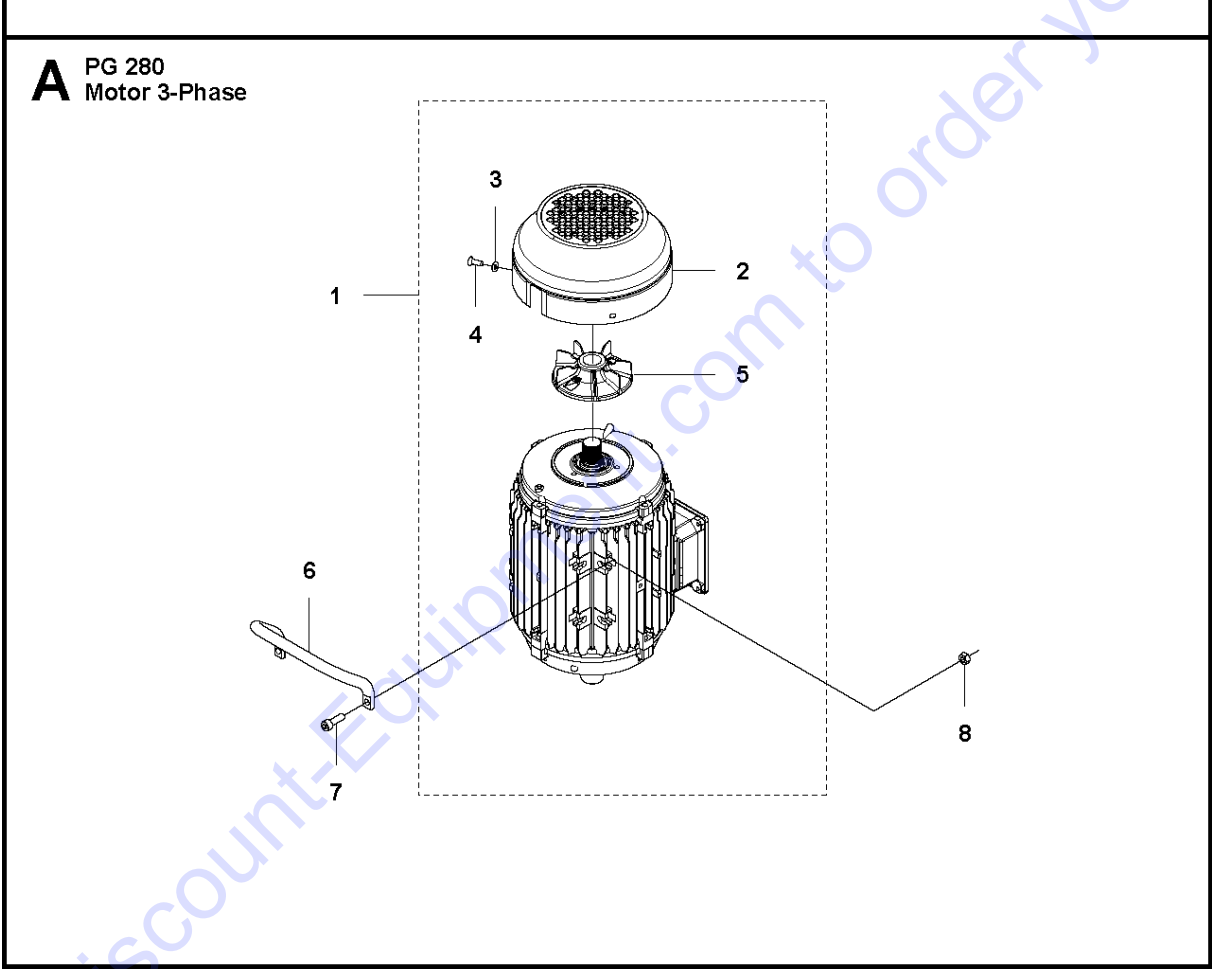


MOTOR 1-PHASE

PG 280, from Serial number 2014 140001 and forward, 2014-06

Ref	Part No	Description	Remark	QTY	KIT
1	585 30 19-01	MOTOR	220-240V, 50Hz	1	
1	585 30 19-02	MOTOR	220-240V, 60Hz	1	
1	585 30 21-01	MOTOR	100-120V, 50Hz	1	
1	585 30 21-02	MOTOR	100-120V, 60Hz	1	
2	587 17 46-01	FAN COVER		1	1
3	734 11 46-01	WASHER		4	1
4	724 13 23-01	SCREW CRPANM		4	1
5	587 17 47-01	FAN		1	1
6	585 42 33-01	HANDLE		1	
7	725 54 51-01	SCREW IHSCM		2	
8	731 23 18-01	HEXAGON NUT		2	

Go to Discount-Equipment.com to order your parts



MOTOR 3-PHASE

PG 280, from Serial number 2014 140001 and forward, 2014-06

Ref	Part No	Description	Remark	QTY	KIT
1	585 26 39-01	MOTOR	3 phase, 400V, 50Hz	1	
2	587 17 46-03	FAN COVER		1	1
3	734 11 46-01	WASHER		3	1
4	724 13 23-01	SCREW CRPANM		3	1
5	587 17 47-03	FAN		1	1
6	585 42 33-01	HANDLE		1	
7	725 54 51-01	SCREW IHSCM		2	
8	731 23 18-01	HEXAGON NUT		2	

Go to Discount-Equipment.com to order your parts

PARTS FINDER

**Search Website
by Part Number**



**Search Manual
Library For Parts
Manual & Lookup Part
Numbers – Purchase
or Request Quote**

Search Manuals

Enter your information to help us find the right parts manual for your machine.

* Brand:

* Model:

* Serial:

* Part Number:

SEARCH

**Can't Find Part or
Manual? Request Help
by Manufacturer,
Model & Description**

Parts Order Form

Please fill in the following information to help us find the right part for your machine.

Manufacturer:	<input type="text"/>
Model:	<input type="text"/>
Description:	<input type="text"/>
Part Number:	<input type="text"/>
Quantity:	<input type="text"/>
Notes:	<input type="text"/>

Submit

Discount-Equipment.com is your online resource for quality parts & equipment.

Florida: **561-964-4949** Outside Florida TOLL FREE: **877-690-3101**

Need parts?

Click on this link: <http://www.discount-equipment.com/category/5443-parts/> and choose one of the options to help get the right parts and equipment you are looking for. Please have the machine model and serial number available in order to help us get you the correct parts. If you don't find the part on the website or on one of the online manuals, please fill out the request form and one of our experienced staff members will get back to you with a quote for the right part that your machine needs.

We sell worldwide for the brands: Genie, Terex, JLG, MultiQuip, Mikasa, Essick, Whiteman, Mayco, Toro Stone, Diamond Products, Generac Magnum, Airman, Haulotte, Barreto, Power Blanket, Nifty Lift, Atlas Copco, Chicago Pneumatic, Allmand, Miller Curber, Skyjack, Lull, Skytrak, Tsurumi, Husquvarna Target, Stow, Wacker, Sakai, Mi-T-M, Sullair, Basic, Dynapac, MBW, Weber, Bartell, Bennar Newman, Haulotte, Ditch Runner, Menegotti, Morrison, Contec, Buddy, Crown, Edco, Wyco, Bomag, Laymor, EZ Trench, Bil-Jax, F.S. Curtis, Gehl Pavers, Heli, Honda, ICS/PowerGrit, IHI, Partner, Imer, Clipper, MMD, Koshin, Rice, CH&E, General Equipment, Amida, Coleman, NAC, Gradall, Square Shooter, Kent, Stanley, Tamco, Toku, Hatz, Kohler, Robin, Wisconsin, Northrock, Oztec, Toker TK, Rol-Air, APT, Wylie, Ingersoll Rand / Doosan, Innovatech, Con X, Ammann, Mecalac, Makinex, Smith Surface Prep, Small Line, Wanco, Yanmar