



SPARE PARTS LIST

SURFACE PREPARATION EQUIPMENT

PG 280, from Serial number 2010 200001
to 2014 1399999, 2011-07

Go to Discount-Equipment.com to order your parts



PARTS FINDER

**Search Website
by Part Number**



**Search Manual
Library For Parts
Manual & Lookup Part
Numbers – Purchase
or Request Quote**

Search Manuals

Enter your information to search for a manual or to purchase a manual or parts.

* Brand:

* Model:

* Serial:

* Part Number:

SEARCH

**Can't Find Part or
Manual? Request Help
by Manufacturer,
Model & Description**

Parts Order Form

Please fill in the following information:

Manufacturer:

Model:

Description:

Quantity:

Part Number:

Part Name:

Part Description:

Part Category:

Part Location:

Part Status:

Part Condition:

Part Material:

Part Color:

Part Weight:

Part Dimensions:

Part Price:

Part Notes:

Submit

Discount-Equipment.com is your online resource for quality parts & equipment.

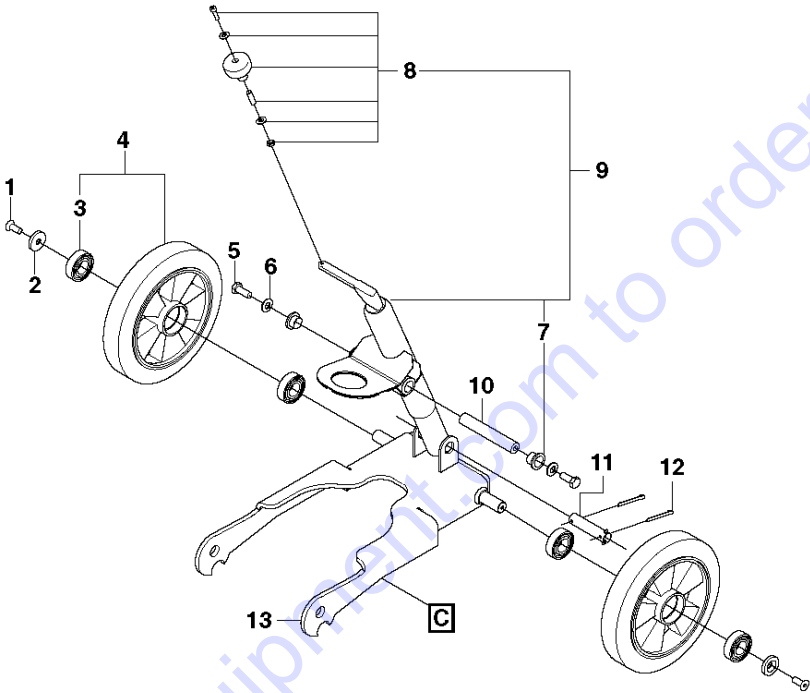
Florida: **561-964-4949** Outside Florida TOLL FREE: **877-690-3101**

Need parts?

Click on this link: <http://www.discount-equipment.com/category/5443-parts/> and choose one of the options to help get the right parts and equipment you are looking for. Please have the machine model and serial number available in order to help us get you the correct parts. If you don't find the part on the website or on one of the online manuals, please fill out the request form and one of our experienced staff members will get back to you with a quote for the right part that your machine needs.

We sell worldwide for the brands: Genie, Terex, JLG, MultiQuip, Mikasa, Essick, Whiteman, Mayco, Toro Stone, Diamond Products, Generac Magnum, Airman, Haulotte, Barreto, Power Blanket, Nifty Lift, Atlas Copco, Chicago Pneumatic, Allmand, Miller Curber, Skyjack, Lull, Skytrak, Tsurumi, Husquvarna Target, Stow, Wacker, Sakai, Mi-T-M, Sullair, Basic, Dynapac, MBW, Weber, Bartell, Bennar Newman, Haulotte, Ditch Runner, Menegotti, Morrison, Contec, Buddy, Crown, Edco, Wyco, Bomag, Laymor, EZ Trench, Bil-Jax, F.S. Curtis, Gehl Pavers, Heli, Honda, ICS/PowerGrit, IHI, Partner, Imer, Clipper, MMD, Koshin, Rice, CH&E, General Equipment, Amida, Coleman, NAC, Gradall, Square Shooter, Kent, Stanley, Tamco, Toku, Hatz, Kohler, Robin, Wisconsin, Northrock, Oztec, Toker TK, Rol-Air, APT, Wylie, Ingersoll Rand / Doosan, Innovatech, Con X, Ammann, Mecalac, Makinex, Smith Surface Prep, Small Line, Wanco, Yanmar

B PG 280

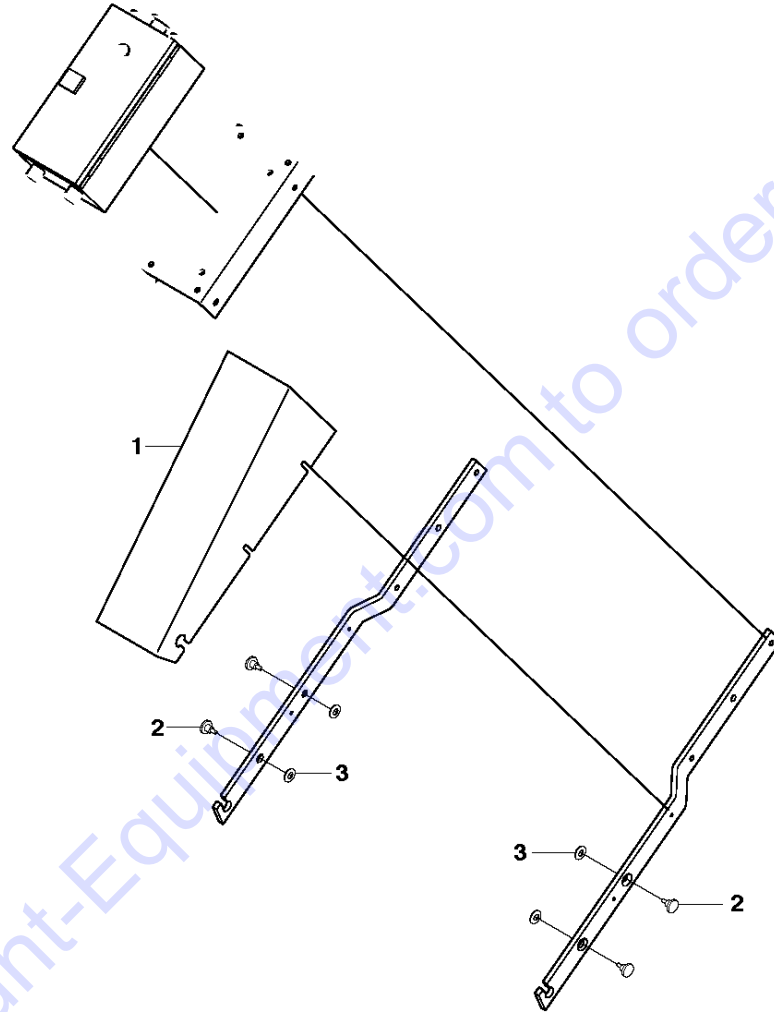


Go to Discount-Equipment.com to order your parts

Ref	Part No	Description	Remark	QTY	KIT
1	725 53 68-51	SCREW IHSCM		2	
2	501 32 12-01	WASHER		2	
3	738 22 04-19	BALL BEARING		4	4
4	504 18 55-01	WHEEL		2	
5	725 24 93-76	SCREW EHHM		2	
6	734 11 72-01	WASHER		2	
7	510 21 75-01	BUSHING		2	9
8	574 56 89-01	KIT		1	9
9	574 70 32-01	ADJUSTING SCREW		1	
10	510 21 77-01	SHAFT PIVOT		1	
11	510 21 57-01	LOCKING PIN		1	
12	721 62 16-01	SPLIT PIN		2	
13	574 56 69-01	CHASSIS		1	

Go to Discount-Equipment.com to order your parts

D PG 280



4

⚠ WARNING	
<p>CAUTION To Reduce the risk of injury from moving parts, always before servicing.</p> <p>ATTENTION - DISCONNECT FROM SUPPLY BEFORE ANY SERVICE - To reduce the risk of electric shock, always before servicing. - To reduce the risk of electric shock, do not expose to rain, water, moisture. - To reduce the risk of electric shock, always disconnect and remove the plug and all the ground. - Before use For Household and Commercial Use</p>	<p>ATTENTION Afin de réduire le risque de blessures lors des opérations de maintenance, débranchez le câble avant toute opération d'entretien.</p> <p>AVERTISSEMENT - DÉBRANCHER LA MACHINE DE COURANT D'ALIMENTATION AVANT DE L'UTILISER. - Afin de réduire le risque de choc électrique, débranchez le câble avant toute opération de maintenance ou d'entretien. - Afin de réduire le risque de choc électrique, n'exposez pas la machine à la pluie, l'humidité et l'humidité. - Afin de réduire le risque de choc électrique, gardez le branchement de la rallonge ou une et suspendez-le au sol. - Évitez les conditions Pour une utilisation domestique et professionnelle.</p>

5

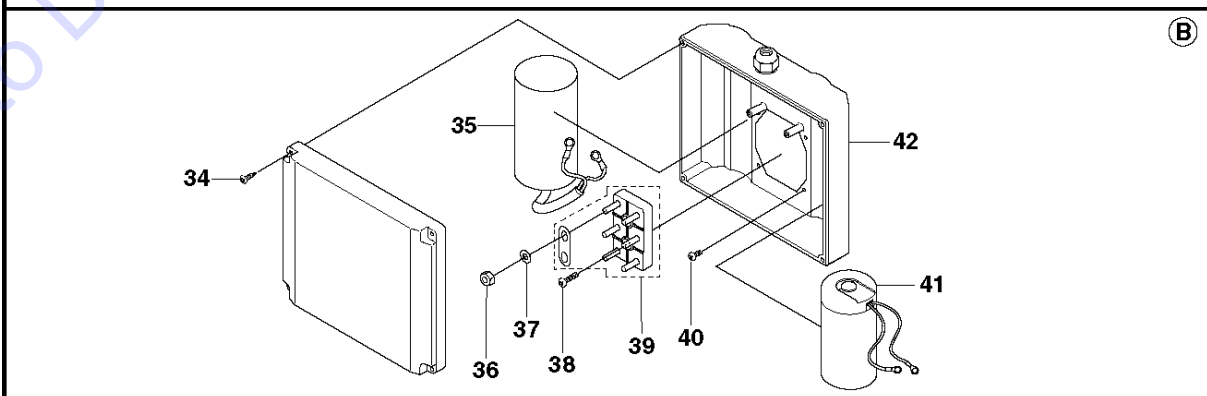
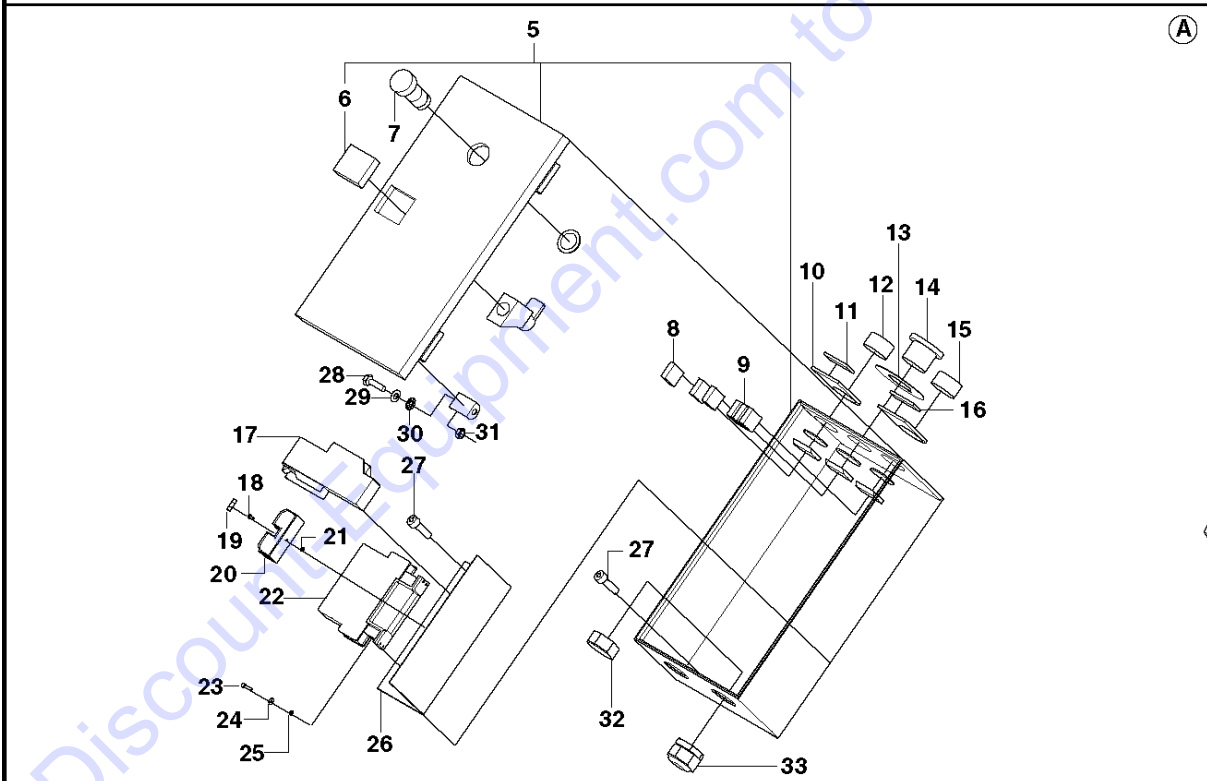
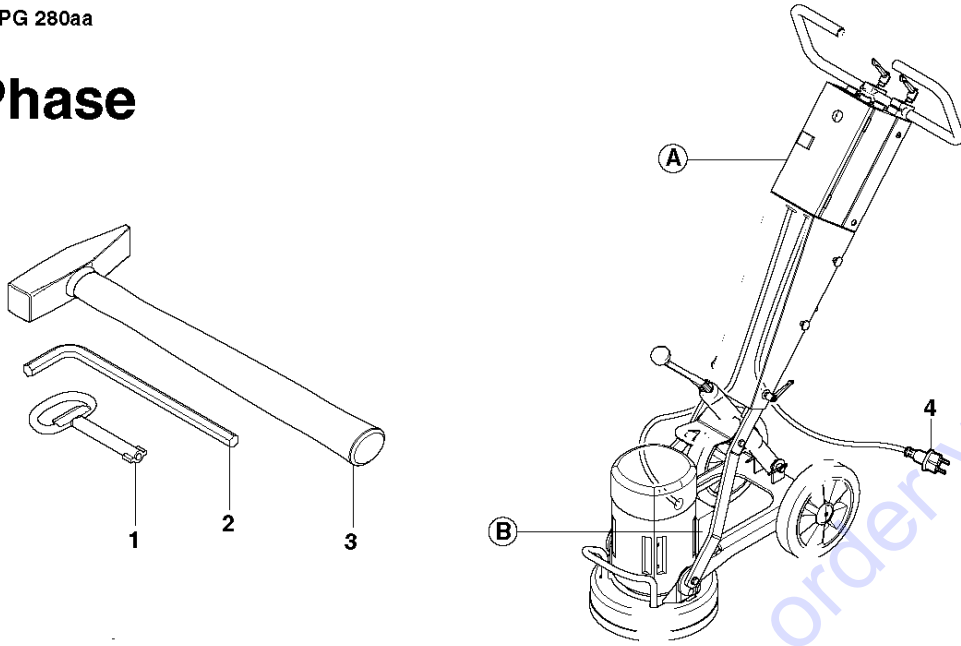
DUST COVER

PG 280, from Serial number 2010 200001 to 2014 1399999, 2011-07

Ref	Part No	Description	Remark	QTY KIT
1	510 22 81-01	DUST COVER		1
2	510 36 16-01	SCREW		2
3	734 11 52-60	WASHER		2
4	574 44 57-01	LABEL		1
5	578 31 04-01	DECAL		1

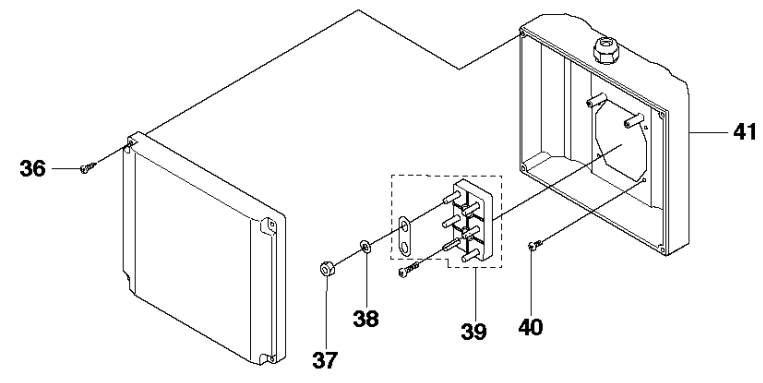
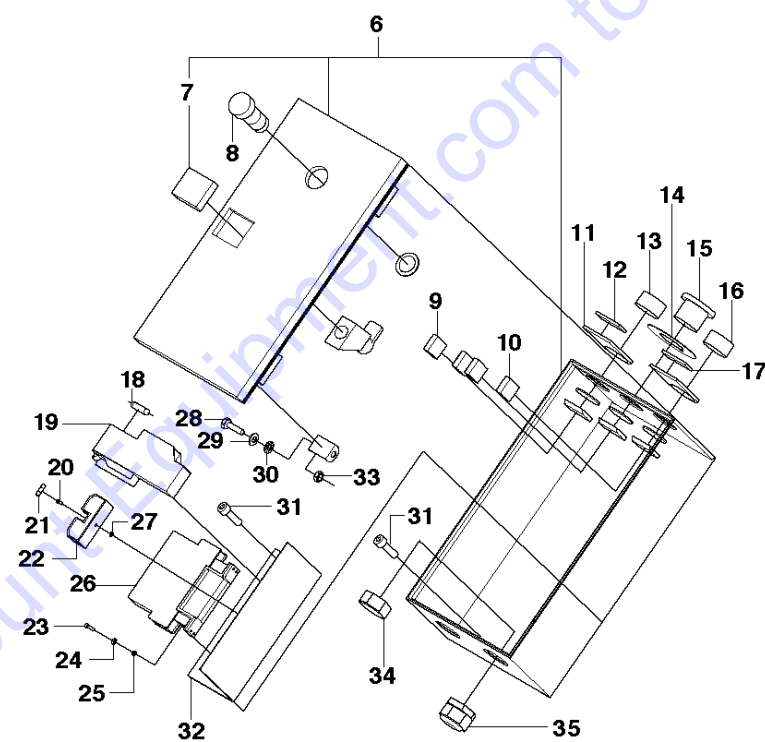
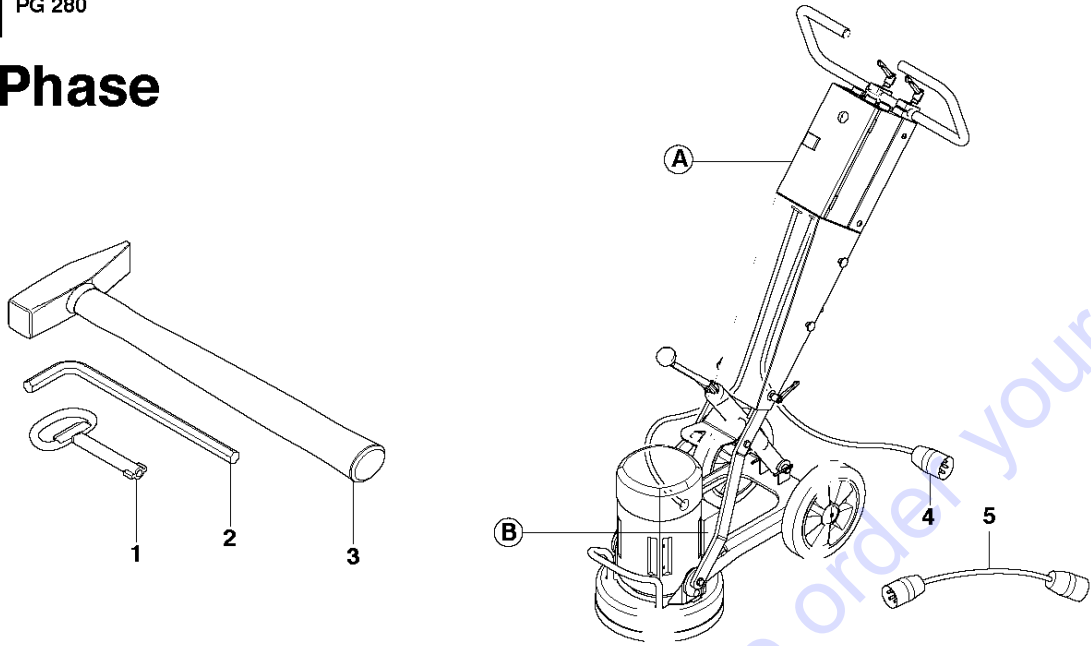
Go to Discount-Equipment.com to order your parts

E2 PG 280aa 1-Phase



Ref	Part No	Description	Remark	QTY	KIT
1	574 44 11-01	KEY		1	
2	531 11 95-36	INBUSSCHLUESSEL 8MM		1	
3	522 03 97-01	HAMMER		1	
4	525 84 19-01	CABLE	Incl plug CH	1	
4	525 84 19-02	CABLE	Incl plug, AUS	1	
4	525 84 19-03	CABLE	Incl plug, EU	1	
4	525 84 19-04	CABLE	Incl plug, 220V, US	1	
4	525 84 19-12	CABLE	Incl plug, 110V, US	1	
4	525 84 19-06	CABLE	Incl plug, JP	1	
4	525 84 19-09	CABLE	Brazil	1	
4	525 84 19-07	CABLE	Incl plug, UK	1	
6	516 06 21-01	LOCK		1	5
5	525 63 82-01	ELECTRIC BOX	EU/AUS/US/JP, 230V	1	
5	525 63 82-03	ELECTRIC BOX	US, 110V	1	
7	510 43 48-01	LED	EU/AUS/CH/US, 220V	1	
7	510 43 48-02	LED	US, 110V	1	
8	510 43 14-01	CONTACT PLATE		3	
9	510 43 15-01	CONTACT PLATE		3	
10	510 43 30-01	HOLDER		2	
11	510 43 31-01	SIGN		1	
12	510 43 11-01	PUSH BUTTON	Red	1	
13	510 43 16-01	WARNING SIGN		1	
14	510 43 13-01	PUSH BUTTON		1	
15	510 43 12-01	PUSH BUTTON	Green	1	
16	510 43 32-01	SIGN		1	
17	580 62 35-02	PROTECTION	220V, EU/AUS/US	1	
17	580 62 35-01	PROTECTION	110V, US/UK/JP	1	
18	725 53 25-01	SCREW IHSCM		1	
19	525 63 81-01	FUSE		1	
20	525 63 80-01	FUSE HOLDER		1	
21	732 25 14-01	HEXAGON LOCKING NUT		1	
22	584 90 41-01	CONTACTOR	220V, EU/AUS/US	1	
22	584 90 43-01	CONTACTOR	110V, US/UK/JP	1	
23	725 52 93-01	SCREW IHSCM		4	
24	734 11 36-01	WASHER		4	
25	732 25 12-01	HEXAGON LOCKING NUT		4	
26	516 06 24-01	SHEET		1	
27	725 53 64-55	SCREW IHSCM		6	
28	725 23 64-71	SCREW EHHM		1	
29	734 11 52-01	WASHER		2	
30	735 21 53-01	LOCK WASHER		2	
31	731 23 16-01	HEXAGON NUT		2	
32	510 43 18-01	NUT	EU/AUS/US/JP, 230V	2	
33	575 48 98-02	GROMMET	US/CAN, 110V	1	
32	585 87 52-01	NUT	US/CAN, 110V	1	
33	510 43 17-01	STRAIN RELIEVER	EU/AUS/US/JP, 230V	2	
34	729 52 83-01	SCREW CRPANT		4	
35	577 84 10-01	CAPACITOR	100-120V, 60Hz, US/JP	1	
35	577 84 10-02	CAPACITOR	200-230V EU	1	
35	577 84 10-03	CAPACITOR	200-230V, US/CAN/Brazil	1	
35	577 84 10-04	CAPACITOR	100-120V, 50Hz, UK/JP	1	
36	731 23 14-01	HEXAGON NUT		6	
37	734 11 45-71	WASHER		6	
39	577 81 26-01	TERMINAL BLOCK		1	
40	724 12 89-51	SCREW		4	
41	577 81 25-01	CAPACITOR	100-120V, 60Hz, US/JP	1	
41	577 81 25-02	CAPACITOR	200-230V, EU/US/CAN/Brazil	1	
41	577 81 25-04	CAPACITOR	110V, 50Hz, UK/JP	1	
42	577 81 22-03	BOX		1	

E1 PG 280 3-Phase

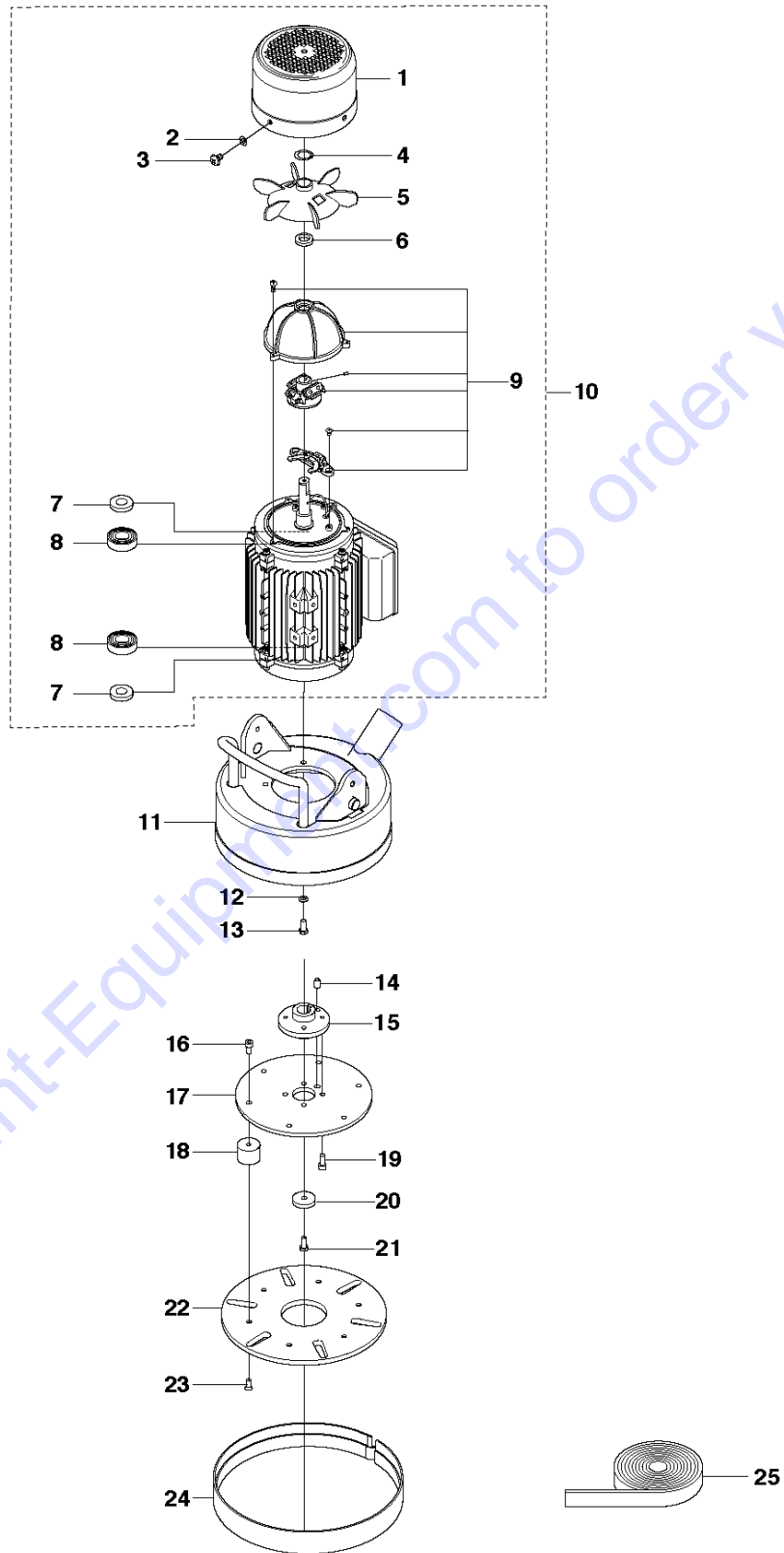


Ref	Part No	Description	Remark	QTY	KIT
1	574 44 11-01	KEY		1	
2	531 11 95-36	INBUSSCHLUESSEL 8MM		1	
3	522 03 97-01	HAMMER		1	
4	529 31 61-01	CABLE	Incl plug	1	
5	574 52 41-01	CABLE ASSY	Australia	1	
6	525 63 82-01	ELECTRIC BOX		1	
7	516 06 21-01	LOCK		1	6
8	510 43 48-01	LED		1	
9	510 43 14-01	CONTACT PLATE		3	
10	510 43 15-01	CONTACT PLATE		1	
11	510 43 30-01	HOLDER		2	
12	510 43 31-01	SIGN		1	
13	510 43 11-01	PUSH BUTTON	Red	1	
14	510 43 16-01	WARNING SIGN		1	
15	510 43 13-01	PUSH BUTTON		1	
16	510 43 12-01	PUSH BUTTON	Green	1	
17	510 43 32-01	SIGN		1	
18	516 06 23-01	RESISTOR		1	
19	579 27 63-01	PROTECTION		1	
20	725 53 25-01	SCREW IHSCM		1	
21	525 63 81-01	FUSE		2	
22	525 88 26-01	FUSE HOLDER		1	
23	725 52 93-01	SCREW IHSCM		4	
24	734 11 36-01	WASHER		4	
25	732 25 12-01	HEXAGON LOCKING NUT		4	
26	579 27 60-01	CONTACTOR		1	
27	732 25 14-01	HEXAGON LOCKING NUT		1	
28	725 23 64-71	SCREW EHHM		1	
29	734 11 52-01	WASHER		2	
30	735 21 53-01	LOCK WASHER		2	
31	725 53 64-55	SCREW IHSCM		6	
32	516 06 24-01	SHEET		1	
33	731 23 16-01	HEXAGON NUT		2	
34	510 43 18-01	NUT		2	
35	510 43 17-01	STRAIN RELIEVER		2	
36	729 52 83-01	SCREW CRPANT		4	
37	731 23 14-01	HEXAGON NUT		6	
38	734 11 45-71	WASHER		6	
39	577 81 26-01	TERMINAL BLOCK		1	
40	724 12 89-51	SCREW		4	
41	577 81 22-03	BOX		1	

Go to Discount-Equipment.com to order your parts

A2 ^{PG 280}

1-Phase



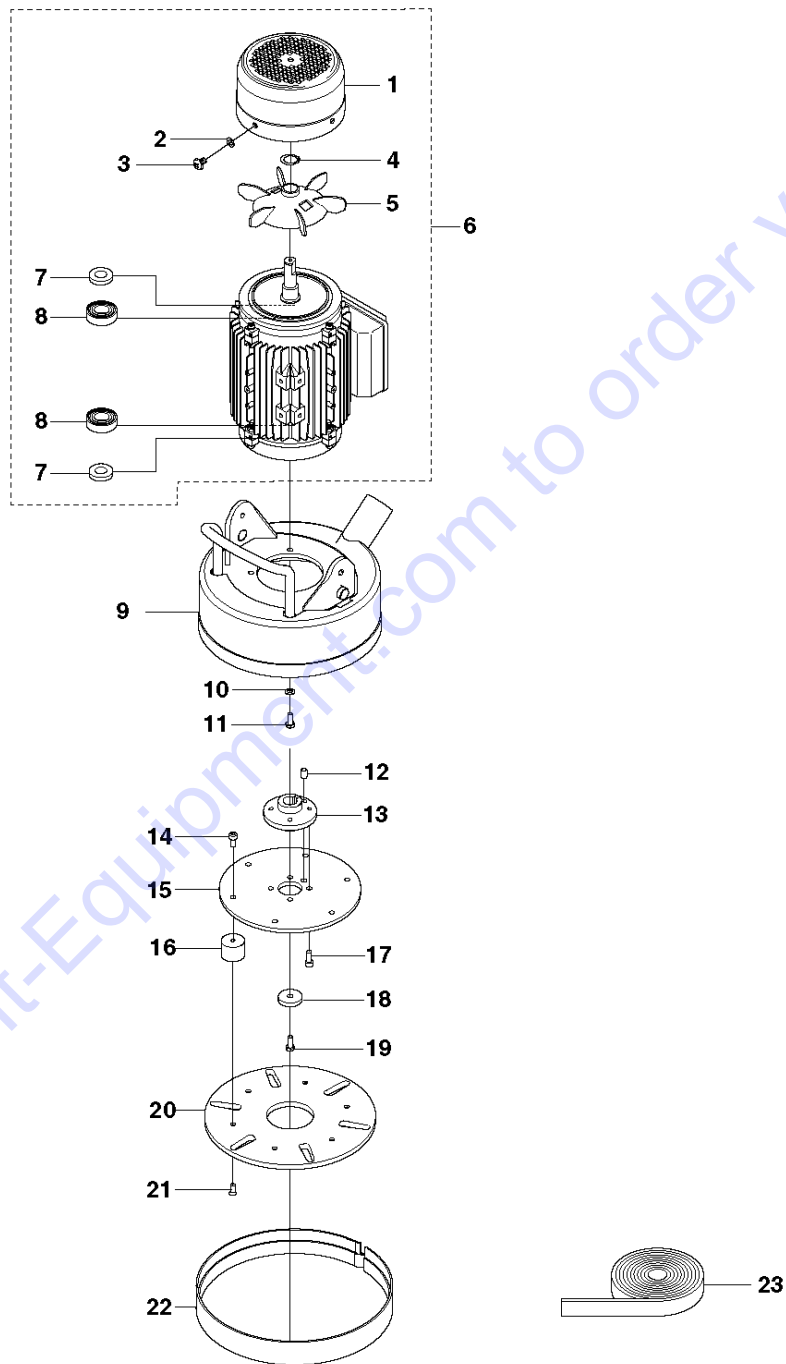
Go to Discount-Equipment.com to order your parts

GRINDING HEAD AND MOTOR PG 280, from Serial number 2010 200001 to 2014 1399999, 2011-07

Ref	Part No	Description	Remark	QTY	KIT
1	577 81 24-01	FAN COVER		1	10
2	734 11 45-71	WASHER		4	10
3	724 13 23-01	SCREW CRPANM		4	10
4	735 31 21-00	CIRCLIP		1	10
5	577 81 23-01	FAN		1	10
6	577 98 37-01	V-RING		1	10
7	577 98 39-01	RADIAL SEAL		2	10
8	738 22 06-24	BALL BEARING		2	10
9	577 81 28-01	CENTRIFUGAL CLUTCH	100-120V, 60Hz, US/CAN/JP	1	10
9	577 81 28-02	CENTRIFUGAL CLUTCH	200-230V, EU/AUS	1	10
9	577 81 28-03	CENTRIFUGAL CLUTCH	200-230V, US/CAN/Brazil	1	10
9	577 81 28-04	CENTRIFUGAL CLUTCH	100-120V, 50Hz, UK/JP	1	10
10	510 43 50-02	MOTOR	200-230V, EU/AUS	1	
10	576 01 80-01	MOTOR	100-120V, 60Hz, US/CAN/JP	1	
10	510 43 50-03	MOTOR	200-230V,US/CAN	1	
10	578 15 52-01	MOTOR	100-120V, 50 Hz, UK/JP	1	
11	574 70 31-01	MOTOR BRACKET		1	
12	734 11 63-01	WASHER		4	
13	725 54 55-01	SCREW IHSCM		4	
14	721 44 09-01	PIN		1	
15	510 21 33-01	HUB		1	
16	725 64 47-55	SCREW IHCSFM		6	
17	510 21 30-01	ATTACHMENT PLATE		1	
18	510 21 31-01	RUBBER DAMPER		6	
19	725 54 51-55	SCREW IHSCM		4	
20	510 23 51-01	WASHER		1	
21	725 24 95-71	SCREW EHHM		1	
22	522 67 73-01	HOLDER DISC		1	
23	725 64 49-55	SCREW IHCSFM		6	
24	574 27 20-01	SKIRT		1	
25	525 55 51-01	VELCRO STRIP (HOOK)		1	

Go to Discount-Equipment.com to order your parts

A1 ^{PG 280} 3-Phase

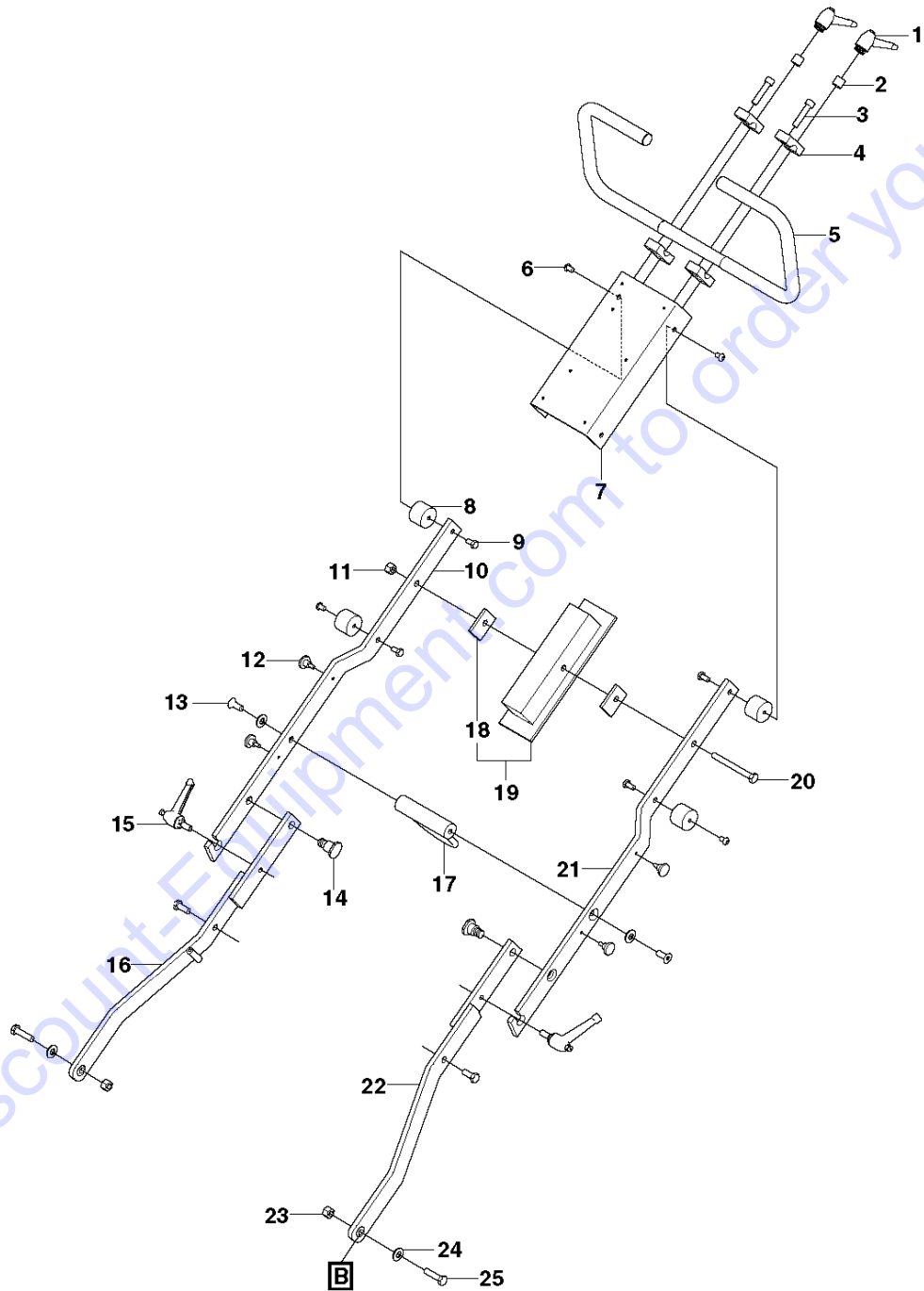


GRINDING HEAD AND MOTOR PG 280, from Serial number 2010 200001 to 2014 1399999, 2011-07

Ref	Part No	Description	Remark	QTY	KIT
1	577 81 24-02	FAN COVER		1	6
2	734 11 45-71	WASHER		4	6
3	724 13 23-01	SCREW CRPANM		4	6
4	735 31 21-00	CIRCLIP		1	6
5	577 81 23-01	FAN		1	6
6	510 20 84-02	MOTOR		1	
7	577 98 39-01	RADIAL SEAL		2	6
8	738 22 06-24	BALL BEARING		2	6
9	574 70 31-01	MOTOR BRACKET		1	
10	734 11 63-01	WASHER		4	
11	725 54 55-01	SCREW IHSCM		4	
12	721 44 09-01	PIN		1	
13	510 21 33-01	HUB		1	
14	725 64 47-55	SCREW IHCSFM		6	
15	510 21 30-01	ATTACHMENT PLATE		1	
16	510 21 31-01	RUBBER DAMPER		6	
17	725 54 51-55	SCREW IHSCM		4	
18	510 23 51-01	WASHER		1	
19	725 24 95-71	SCREW EHHM		1	
20	522 67 73-01	HOLDER DISC		1	
21	725 64 49-55	SCREW IHCSFM		6	
22	574 27 20-01	SKIRT		1	
23	525 55 51-01	VELCRO STRIP (HOOK)		1	

Go to Discount-Equipment.com to order your parts

C PG 280



HANDLE BAR AND FRAME PG 280, from Serial number 2010 200001 to 2014 1399999, 2011-07

Ref	Part No	Description	Remark	QTY	KIT
1	510 24 48-01	HANDLE		2	
2	510 22 96-01	SPACER		2	
3	725 55 00-55	SCREW IHSCM		2	
4	510 22 93-01	BRACKET		4	
5	510 22 94-01	HANDLE		1	
6	576 01 38-01	SCREW IHPANM		4	
7	510 22 88-01	FRAME		1	
8	510 22 78-01	RUBBER DAMPER		4	
9	725 24 49-71	SCREW EHHM		4	
10	510 22 69-01	FORK	Right	1	
11	732 25 20-01	HEXAGON LOCKING NUT		3	
12	510 36 16-01	SCREW		4	
13	725 64 93-55	SCREW IHCSFM		2	
14	510 22 84-01	BUSHING		2	
15	510 22 82-01	LOCKING HANDLE		2	
16	510 21 60-01	ARM	Right	1	
17	510 22 70-01	HOSE CLIP		1	
18	522 48 72-01	SPACER		2	19
19	574 55 55-01	KIT		1	
20	725 25 11-51	SCREW EHHM		1	
21	510 22 68-01	FORK	Left	1	
22	510 21 59-01	ARM	Left	1	
23	732 25 20-01	HEXAGON LOCKING NUT		2	
24	734 11 72-01	WASHER		4	
25	725 25 00-81	SCREW EHHM		2	

Go to Discount-Equipment.com to order your parts

PARTS FINDER

**Search Website
by Part Number**



**Search Manual
Library For Parts
Manual & Lookup Part
Numbers – Purchase
or Request Quote**

Search Manuals

Enter your information to help us find the right parts manual for your equipment.

* Brand:

* Model:

* Serial:

* Part Number:

SEARCH

**Can't Find Part or
Manual? Request Help
by Manufacturer,
Model & Description**

Parts Order Form

Please fill in the following information to help us find the right part for your equipment.

Manufacturer:	<input type="text"/>
Model:	<input type="text"/>
Description:	<input type="text"/>
Part Number:	<input type="text"/>
Quantity:	<input type="text"/>
Notes:	<input type="text"/>

Discount-Equipment.com is your online resource for quality parts & equipment.

Florida: **561-964-4949** Outside Florida TOLL FREE: **877-690-3101**

Need parts?

Click on this link: <http://www.discount-equipment.com/category/5443-parts/> and choose one of the options to help get the right parts and equipment you are looking for. Please have the machine model and serial number available in order to help us get you the correct parts. If you don't find the part on the website or on one of the online manuals, please fill out the request form and one of our experienced staff members will get back to you with a quote for the right part that your machine needs.

We sell worldwide for the brands: Genie, Terex, JLG, MultiQuip, Mikasa, Essick, Whiteman, Mayco, Toro Stone, Diamond Products, Generac Magnum, Airman, Haulotte, Barreto, Power Blanket, Nifty Lift, Atlas Copco, Chicago Pneumatic, Allmand, Miller Curber, Skyjack, Lull, Skytrak, Tsurumi, Husquvarna Target, Stow, Wacker, Sakai, Mi-T-M, Sullair, Basic, Dynapac, MBW, Weber, Bartell, Bennar Newman, Haulotte, Ditch Runner, Menegotti, Morrison, Contec, Buddy, Crown, Edco, Wyco, Bomag, Laymor, EZ Trench, Bil-Jax, F.S. Curtis, Gehl Pavers, Heli, Honda, ICS/PowerGrit, IHI, Partner, Imer, Clipper, MMD, Koshin, Rice, CH&E, General Equipment, Amida, Coleman, NAC, Gradall, Square Shooter, Kent, Stanley, Tamco, Toku, Hatz, Kohler, Robin, Wisconsin, Northrock, Oztec, Toker TK, Rol-Air, APT, Wylie, Ingersoll Rand / Doosan, Innovatech, Con X, Ammann, Mecalac, Makinex, Smith Surface Prep, Small Line, Wanco, Yanmar