



US

Operator's manual

Please read the operator's manual carefully and make sure you understand the instructions before using the machine.

FR

Manuel d'utilisation

Lire attentivement et bien assimiler le manuel d'utilisation avant d'utiliser la machine.

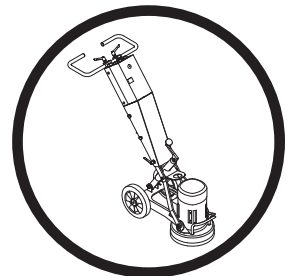
ES

Manual de instrucciones

Lea detenidamente el manual de instrucciones y asegúrese de entender su contenido antes de utilizar la máquina.

PG 400

PG 280



US FR ES



TO PURCHASE THIS PRODUCT PLEASE CONTACT US



**Equipment Financing and
Extended Warranties Available**



**Discount-Equipment.com is your online resource for
commercial and industrial quality parts and equipment sales.**

561-964-4949

visit us on line @ www.discount-equipment.com

Select an option below to find your Equipment

Search by Manufacturer

Search by Product Type

Request a Quote

We sell worldwide for the brands: Genie, Terex, JLG, MultiQuip, Mikasa, Essick, Whiteman, Mayco, Toro Stone, Diamond Products, Generac Magnum, Airman, Haulotte, Barreto, Power Blanket, Nifty Lift, Atlas Copco, Chicago Pneumatic, Allmand, Miller Curber, Skyjack, Lull, Skytrak, Tsurumi, Husquvarna Target, Stow, Wacker, Sakai, Mi-T-M, Sullair, Basic, Dynapac, MBW, Weber, Bartell, Bennar Newman, Haulotte, Ditch Runner, Menegotti, Morrison, Contec, Buddy, Crown, Edco, Wyco, Bomag, Laymor, EZ Trench, Bil-Jax, F.S. Curtis, Gehl Pavers, Heli, Honda, ICS/PowerGrit, IHI, Partner, Imer, Clipper, MMD, Koshin, Rice, CH&E, General Equipment, Amida, Coleman, NAC, Gradall, Square Shooter, Kent, Stanley, Tamco, Toku, Hatz, Kohler, Robin, Wisconsin, Northrock, Oztec, Toker TK, Rol-Air, APT, Wylie, Ingersoll Rand / Doosan, Innovatech, Con X, Ammann, Mecalac, Makinex, Smith Surface Prep, Small Line, Wanco, Yanmar

KEY TO SYMBOLS

Symbols on the machine:

WARNING! The machine can be a dangerous tool if used incorrectly or carelessly, which can cause serious or fatal injury to the operator or others.



Please read the operator's manual carefully and make sure you understand the instructions before using the machine.



Wear personal protective equipment. See instructions under the heading "Personal protective equipment".



WARNING! Dust forms when grinding, which can cause injuries if inhaled. Use an approved breathing mask. Always provide for good ventilation.



Starting: Reduce the pressure between grinding disc and floor by pushing down on the handle without raising the grinding unit off the ground.



Environmental marking. Symbols on the product or its packaging indicate that this product cannot be handled as domestic waste.



By ensuring that this product is taken care of correctly, you can help to counteract the potential negative impact on the environment and people that can otherwise result through the incorrect waste management of this product.

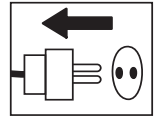


For more detailed information about recycling this product, contact your municipality, your domestic waste service or the shop from where you purchased the product.

Other symbols/decals on the machine refer to special certification requirements for certain markets.

Symbols in the operator's manual:

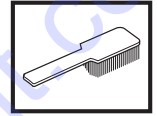
Inspection and/or maintenance should be carried out with the motor switched off and the plug disconnected.



Always wear approved protective gloves.



Regular cleaning is required.



Visual check.



Protective goggles or a visor must be worn.



CONTENTS

Contents

KEY TO SYMBOLS

Symbols on the machine: 2

Symbols in the operator's manual: 2

CONTENTS

Contents 3

WHAT IS WHAT?

What is what on the grinder? 4

SAFETY INSTRUCTIONS

Before using a new grinder 5

Personal protective equipment 5

General safety precautions 6

ASSEMBLY

Fit the handle 8

Changing the diamonds 8

Connect the vacuum cleaner 9

Transport 9

GRINDING GUIDE

Diamonds 10

Determining the hardness of concrete 10

Diamond selection 11

The motor's direction of rotation 13

STARTING AND STOPPING

Before starting 14

Starting 14

Stopping 14

MAINTENANCE

Faults and trouble shooting 15

Maintenance 15

Service 15

TECHNICAL DATA

Technical data 16

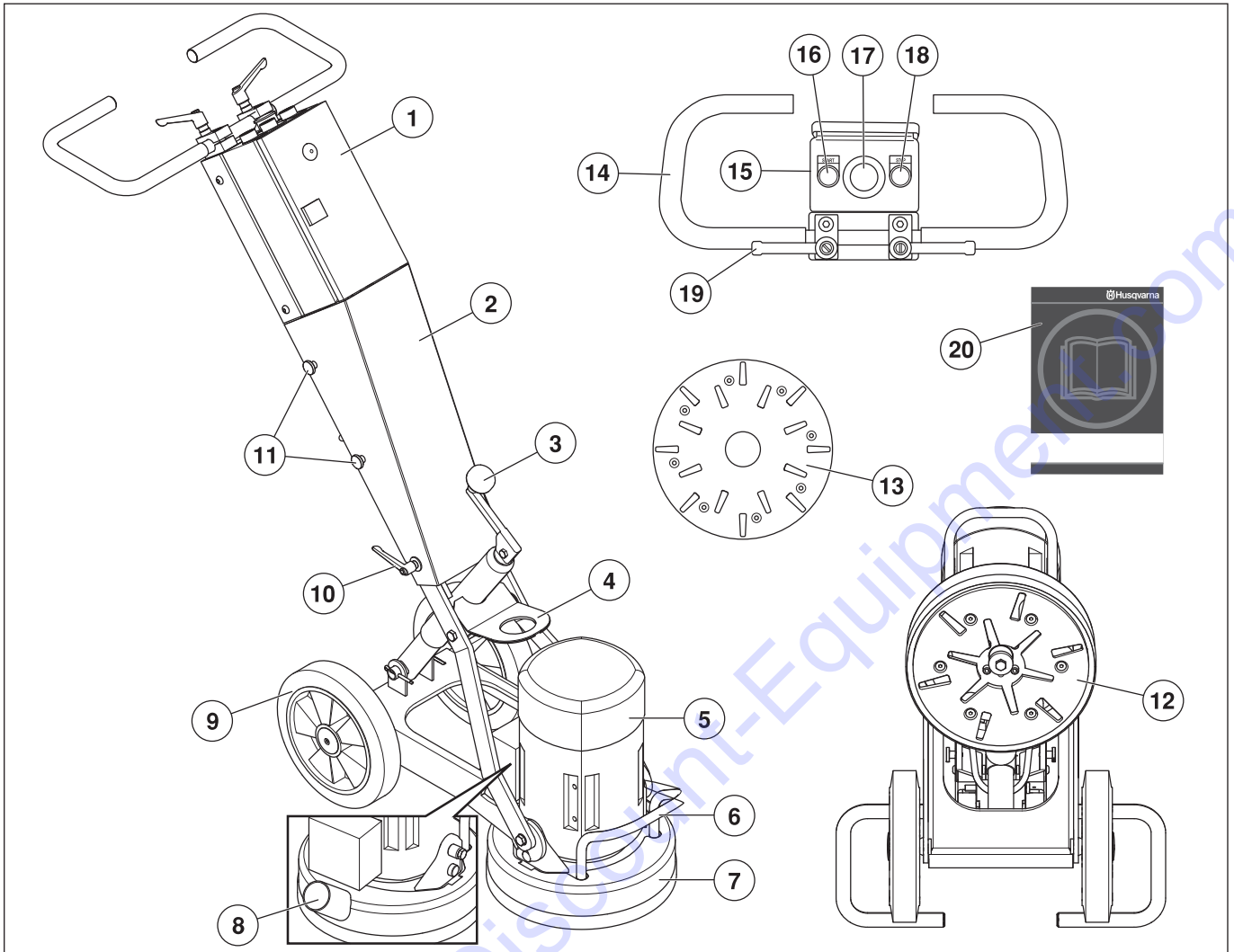
US WARRANTY STATEMENT

WARRANTY POLICY 17

EQUIPMENT 17

WIRING DIAGRAM

WHAT IS WHAT?



What is what on the grinder?

- | | |
|---|--|
| 1 Electric box | 11 Screws, cover |
| 2 Cover | 12 Grinding unit - PG 280 SF |
| 3 Crank for adjusting grinding pressure | 13 Grinding unit - PG 400 SF |
| 4 Lifting eye | 14 Handle / handlebar |
| 5 Electric motor | 15 Control Panel |
| 6 Lifting handle | 16 Start button |
| 7 Skirt | 17 Emergency stop |
| 8 Connection for vacuum cleaner | 18 Stop button |
| 9 Wheel set | 19 Locking knob for handlebar adjustment |
| 10 Cover locking knob | 20 Operator's manual (EPA) |

SAFETY INSTRUCTIONS

Before using a new grinder

- Please read the operator's manual carefully and make sure you understand the instructions before using the machine.
- Grinders PG 400 SF and PG 280 SF are designed for surface removal of glue/adhesive residues, putty and the like from concrete floors and grinding and flattening out concrete floors. SF stands for single disc, fixed speed (single disc, fixed speed).
- The machine can cause serious personal injury. Read the safety instructions carefully. Learn how to use the machine.
- Only staff that have received the necessary education, both practically and theoretically concerning their usage should operate the machinery.

Always use common sense

It is not possible to cover every conceivable situation you can face. Always exercise care and use your common sense. Avoid all situations which you consider to be beyond your capability. If you still feel uncertain about operating procedures after reading these instructions, you should consult an expert before continuing.

Do not hesitate to contact Discount-equipment if you have any more questions about the use of the machine. We will willingly be of service and provide you with advice as well as help you to use your machine both efficiently and safely.

Let Discount-equipment regularly check the machine and make essential adjustments and repairs.

All information and all data in the Operator's Manual were applicable at the time the Operator's Manual was sent to print.



WARNING! Under no circumstances should you modify the original design of the machine without approval from the manufacturer. Always use original spare parts. Unauthorized modifications and/or accessories may lead to serious injury or death to the user or others.



WARNING! Use of products which cut, grind, drill, sand or shape material can generate dust and vapors which may contain harmful chemicals. Know the nature of the material being worked on and wear appropriate dust mask or respirator protection.



WARNING! Some dust created by power sanding, sawing, grinding, drilling, and other construction activities contains chemicals known (to the State of California) to cause cancer, birth defects or other reproductive harm. Some examples of these chemicals are:

Lead from lead-based paints.

Crystalline silica from bricks, cement and other masonry products.

Arsenic and chromium from chemically treated lumber.

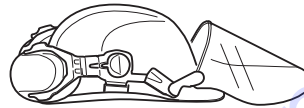
Your risk from these exposures varies, depending on how often you do this type of work. To reduce your exposure to these chemicals: work in a well ventilated area, and work with approved safety equipment, such as those dust masks that are specially designed to filter out microscopic material.

Personal protective equipment

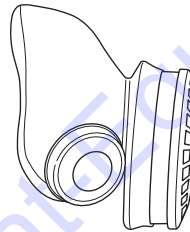


WARNING! You must use approved personal protective equipment whenever you use the machine. Personal protective equipment cannot eliminate the risk of injury but it will reduce the degree of injury if an accident does happen. Ask your dealer for help in choosing the right equipment.

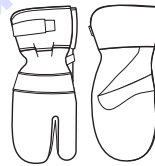
- Protective helmet
- Hearing protection
- Protective goggles or a visor



- Breathing mask



- Heavy-duty, firm grip gloves.



- Tight-fitting, heavy-duty and comfortable clothing that permits full freedom of movement.



- Boots with steel toe-caps and non-slip sole



- Always have a first aid kit nearby.



SAFETY INSTRUCTIONS

General safety precautions



WARNING! This section describes basic safety directions for using the machine. This information is never a substitute for professional skills and experience. If you get into a situation where you feel unsafe, stop and seek expert advice. Contact Discount-equipment. Do not attempt any task that you feel unsure of!

- Do not use the machine without first reading and understanding the contents of this Operator's Manual.

Work area safety

- Do not use the machine in bad weather, such as dense fog, rain, strong wind, intense cold, etc.
- Keep work area clean and well lit. Cluttered or dark areas invite accidents.
- The machine should not be used in areas where potential for fire or explosions exist.

Electrical safety



WARNING! There is always a risk of shocks from electrically powered machines. Avoid unfavourable weather conditions and body contact with lightning conductors and metal objects. Always follow the instructions in the Operator's manual to avoid damage.

- Never drag the machine by means of the cord and never pull out the plug by pulling the cord.
- Keep all cables away of water, oil and sharp edges. Make sure the cable is not pinched in doors, fences or the like. Otherwise it can cause the object to become live.
- Check that the cables are intact and in good condition. Use cable intended for outdoor use.
- Never use the machine if any cable is damaged, but hand it in to an authorized service workshop for repair.
- The machine should be connected to an earthed outlet socket.
- Check that the mains voltage corresponds with that stated on the rating plate on the machine.
- Be on your guard for electrical shocks. Avoid having body contact with lightning-conductors/metal in the ground.
- Do not use an extension cord while it is rolled up to avoid overheating.
- Ensure the cord is behind you when you start to use the machine so that the cord will not be damaged.

Personal safety



WARNING! Overexposure to vibration can lead to circulatory damage or nerve damage in people who have impaired circulation. Contact your doctor if you experience symptoms of overexposure to vibration. Such symptoms include numbness, loss of feeling, tingling, pricking, pain, loss of strength, changes in skin colour or condition. These symptoms normally appear in the fingers, hands or wrists. These symptoms may be increased in cold temperatures.

- Wear personal protective equipment. See instructions under the heading "Personal protective equipment".
- Never use the machine if you are tired, if you have drunk alcohol, or if you are taking medication that could affect your vision, your judgement or your co-ordination.
- Never allow anyone else to use the machine without first ensuring that they have understood the contents of the operator's manual.
- All operators shall be trained in the use of the machine. The owner is responsible for ensuring that the operators receive training.
- People and animals can distract you causing you to lose control of the machine. For this reason, always remain concentrated and focused on the task.
- Be careful as clothing, long hair, and jewellery can get caught in moving parts.
- Never leave the machine unsupervised with the motor running.
- Make sure that there is always another person close at hand when you use the machines, so that you can call for help if an accident should occur.
- Always ensure you have a safe and stable working position.

SAFETY INSTRUCTIONS

Use and care

- Only use the machine for the purpose it was intended for.
- Keep all parts in good working order and ensure that all fixtures are properly tightened.
- Never use a machine that is faulty. Carry out the checks, maintenance and service instructions described in this manual. Some maintenance and service measures must be carried out by trained and qualified specialists. See instructions under the heading Maintenance.
- Do not modify safety equipment. Check regularly that they function as they should. The machine must not be run with defective or disassembled safety equipment.
- Never use a machine that has been modified in any way from its original specification.
- Machinery should only be started when grinding heads are resting on the ground unless carrying out a testing procedure as outlined in this manual.
- The machine should not be started without the rubber dust skirt attached. It is essential a good seal between machine and floor be established for safety, especially when operating in dry grinding applications.
- During grinding, the machine must be connected to a vacuum cleaner to sucking off the dust.
- When changing the grinding discs ensure power supply to the unit is OFF by engaging the Emergency Stop button and the power-plug disconnected.
- After each grinding/polishing operation always remove the diamond tools.
- Make sure that the rubber skirt is intact and clean and that it seals tightly against the floor. Damaged rubber skirt should always be replaced.
- When removing glue, asphalt, paint etc. always raise the machine from the surface after use to prevent it from sticking to the floor due to the heat. Make sure the grinding head has stopped rotating before raising the machine.
- Diamond tools may be very hot after use. Leave machine to cool off before removing the diamond segments. Use protective gloves.
- Always use the machine mounted lifting eye when lifting.
- Always carry the machine by the carrying handle and the handle.

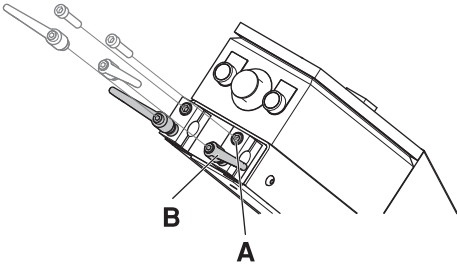
Transport and storage

- The machine should always be transported under cover limiting the exposed to natural elements – in particular rain and snow.
- Store the equipment in a lockable area so that it is out of reach of children and unauthorized persons.
- The machine should always be stored in a dry place when not in use.

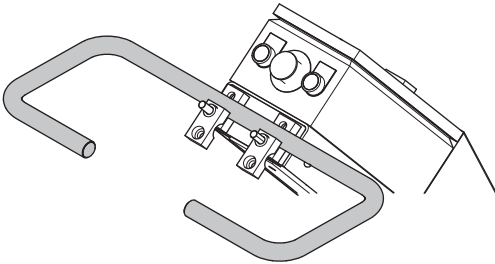
ASSEMBLY

Fit the handle

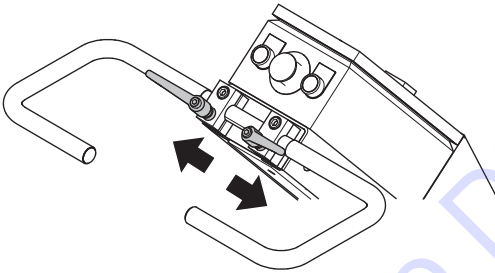
- Remove the screws (A).



- Remove the locking knobs (B).
- Fit the handle in the handle stand-off on the machine.



- Refit screws (A) and locking knobs (B).
- The locking knobs should be positioned in-line with the handlebar to reduce the risk of damaging the knobs when laying down the machine when changing tools.

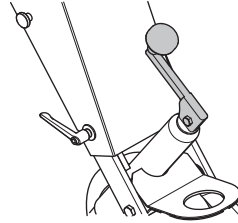


Changing the diamonds

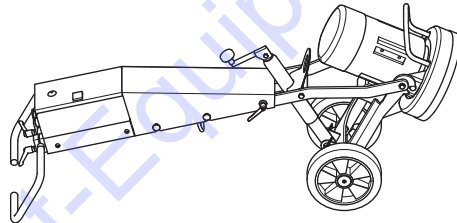


Shut down the machine and disconnect the power plug.
Have a set of gloves ready, as diamond tools can get very hot.

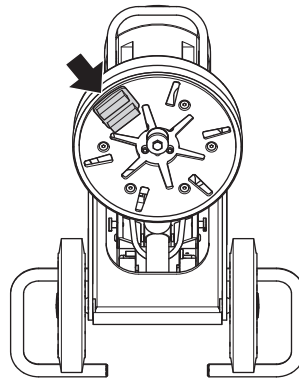
- Crank up the handlebar to the highest position.



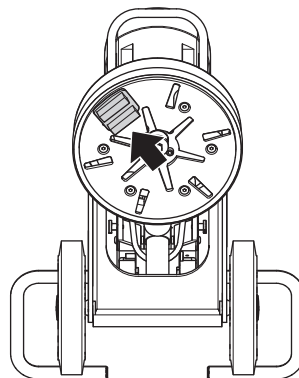
- Pull back on handle to lift grinding head off the ground.
- Lay machine back on the ground.



- Put on gloves.
- Use a hammer to remove the diamond segments.



- Affix new diamond segments on the grinding disc.

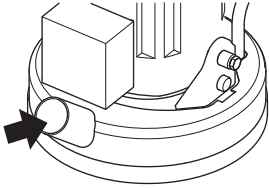


- Once new diamond segments have been attached, reverse procedure to lower machine to ground.

ASSEMBLY

Connect the vacuum cleaner

Connect the vacuum cleaner to the machine. Use a 50 mm (2 inch) hose.

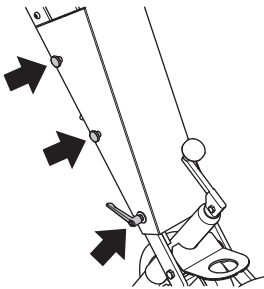


- It is highly recommended to use the Husqvarna DC 3300 dust extraction system for complete dust control.
- Make sure that the filters in the vacuum cleaner are intact and clean. Pay attention to dust during operation.
- Adjust the rubber skirt to be in contact with the floor to ensure efficient dust collection.

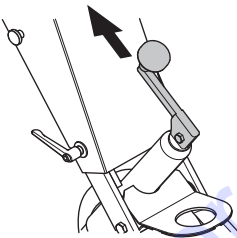
Transport

The machine can be folded to minimize space needed for transport.

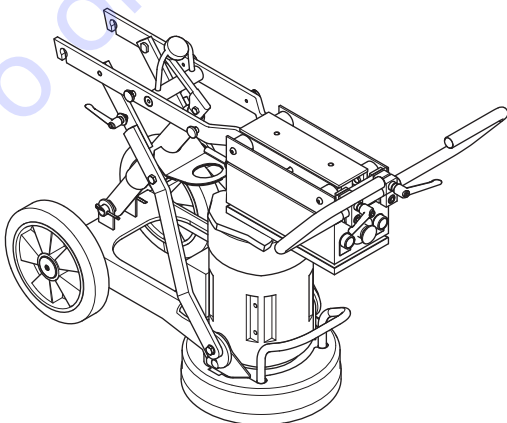
- Loosen the screws and the lock handle that hold the cover in place.



- Remove the cover.
- Place the crank with the handle pointing straight upwards.



- Carefully fold the machine forward. Put padding between the motor and the electric box to prevent damage to the machine.



- The cover can be attached to the side of the machine.

GRINDING GUIDE

Diamonds

Background

Diamond abrasives usually consist of 2 components:

- Diamond powder (also known as diamond crystals or grit). By changing the size of the diamond powder or grit, we can change how coarse or fine the scratches will be that are left behind from the grinding process.
- A binding agent (metal or resin). Diamond powder is mixed and suspended in either a metal or resin binding agent. When suspended in a metal binding agent, the finished product is referred to as a Metal Bond or Sintered diamond segment. When suspended in a resin binding agent, the finished product is referred to as a Resin Bond diamond segment or pad. By changing the hardness of the binding agent, we can change how fast or slow the diamond abrasive will wear.

General Principles

The following are general rules regarding diamond segments in grinding applications. As with all general rules there are exceptions or cases when it is not the case.

Diamond grit size

Changing the size of the diamond grit to a smaller particle/grit size will effect the performance of the diamond tool in the following ways:

- Create a finer scratch pattern.
- Increase life of diamond tool.

The opposite will occur when changing to a larger particle/grit size.

Binding agent

Increasing hardness of bond will:

- Create a finer scratch pattern.
- Increase life of diamond tool.
- Decrease production rate.

The opposite will occur when making the metal or resin bond softer.

Number of diamond segments/pads under the machine

Increasing the number of segments under the machine will:

- Reduce pressure on each individual diamond segment - reduce wear rate on diamond segments.
- Reduce load on the machine and cause the grinder to draw less current.
- Create a smoother scratch pattern (particularly on soft floors).

The opposite will occur when decreasing the number of segments under the machine.

Summary of diamond principles

Diamond segments need to wear in order to achieve productivity. Diamond segment wear can be influenced by the following factors:

- Pressure.
- Hardness of bond.
- Diamond grit size.
- Number of segments under the machine.
- Adding an additional abrasive (e.g. sand, silicone carbide) on the floor will increase wear.

Generally, the faster a diamond segment wears, the faster the productivity will be. By varying the above factors, changes can also be made to effect the following:

- Scratch pattern.
- Current draw of machine.
- Flatness of floor (see next section).
- Ease of operation.

Determining the hardness of concrete

All concretes are measured by their compressive strength and depending on which part of the world you are from, different compressive strength indices (e.g. PSI & MPa) are used. Generally, the higher the compressive strength rating, the harder the concrete and therefore, the harder it will be to grind.

However, other factors beside compressive strength ratings determine how hard the floor will be, and therefore, the correct diamond selection. Since grinding normally only deals with the surface of the concrete (top 5mm or 1/4 inch), often the way the concrete floor has been finished or the condition of the surface will have a greater bearing on what type of diamond to select, rather than the compressive strength rating of the concrete.

Surface factors to consider when making a diamond selection

Generally, if a concrete surface is very smooth (i.e. Most likely it has been heavily trowelled/helicoptered), the concrete will behave as if it has a high compressive strength and therefore, require a soft bond segment.

Accordingly, if a concrete surface is coarse/aggressive (e.g. rain-damaged, shot blasted, scarified, exposed aggregate e.t.c.), the concrete will behave as if it has a low compressive strength and therefore, require a hard bond segment.

Surface coatings/contaminants (e.g. Epoxy coatings, ceramic tile adhesives, levelling compounds/screeds) will often have a larger bearing on what diamond to select, than will the compressive strength of the concrete.

As a general rule, when grinding a concrete slab for the first time and you are unsure about its hardness, always begin with harder bond diamonds under the machine. This will ensure the least amount of wear on the diamond segments. If a hard diamond segment is not suited to the application, all it has cost is a little amount of time without wearing out the diamonds.

If performed the other way around (i.e. a soft segment is used to begin with) and the concrete is soft or possesses an abrasive surface or surface contaminant, it is quite possible to wear-out a considerable amount of diamond in very short period of time.

GRINDING GUIDE

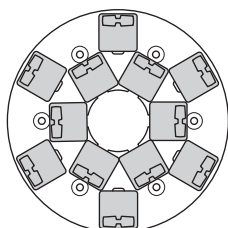
Diamond selection

The way diamond segments are set-up on the grinding unit will greatly influence the performance of the machine, the productivity levels and also the finished floor quality.

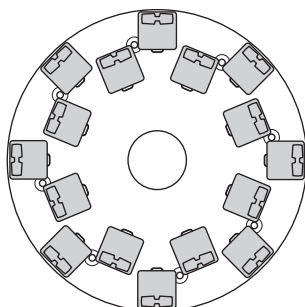
There are a number of different diamond configurations that can be achieved on both the PG 400 SF and PG 280 SF.

Metal bond diamonds

Full set - inner and outer row

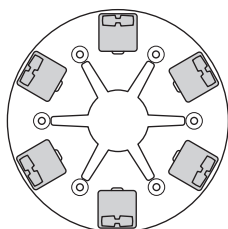


PG 280

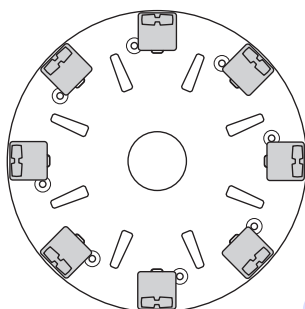


PG 400

Full set - outer row

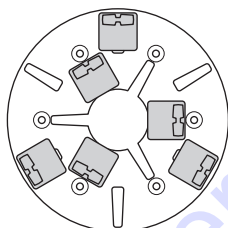


PG 280

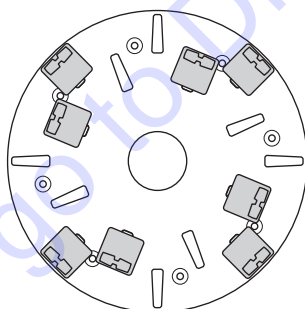


PG 400

Half set - inner and outer row

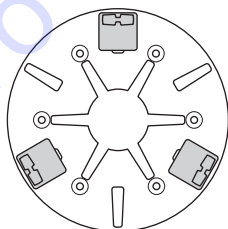


PG 280

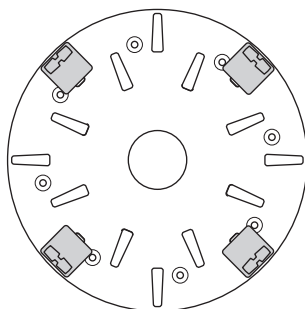


PG 400

Half set - outer row



PG 280



PG 400

GRINDING GUIDE

Select the correct metal bond diamonds for your application

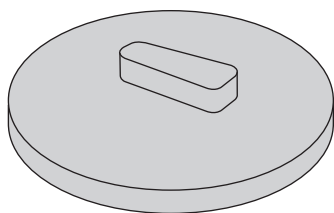
The following suggestion cover the basic configurations for metal bonded diamond tools.

Applications	Metal bond	Grit size	Full set - inner and outer row	Full set - outer row	Half set - inner and outer row	Half set - outer row
Flatten floor - Hard concrete	Soft	16 or 30	X			
Flatten floor - Medium concrete	Medium	16 or 30	X			
Flatten floor - Soft concrete	Hard	16 or 30	X			
Ceramic tile adhesive removal	Medium	PIRANHA™ or 16-30	X			
Vinyl or Carpet glue removal - Hard concrete	Soft	PIRANHA™ or 16-30			X	X
Vinyl or Carpet glue removal - Medium concrete	Medium	PIRANHA™ or 16-30			X	X
Vinyl or Carpet glue removal - Soft concrete	Hard	PIRANHA™ or 16-30			X	X
Epoxy paint removal - Hard concrete	Soft	PIRANHA™ or 16-30		X	X	
Epoxy paint removal - Medium concrete	Medium	PIRANHA™ or 16-30		X		
Epoxy paint removal - Soft concrete	Hard	PIRANHA™ or 16-30		X		
Rain damaged concrete	Hard	16-30	X		X	
Smoothen exposed aggregate	Hard	16-30	X		X	
Lippage removal in terrazzo/stone tiles	Soft	30 or 60	X			
Surface polishing of concrete floors - Hard concrete	Soft	60			X	X
Surface polishing of concrete floors - Medium concrete	Medium	60			X	X
Surface polishing of concrete floors - Soft concrete	Hard	60			X	X
Grinding to exposed aggregate in concrete - Hard concrete	Soft	16-30	X	X	X	
Grinding to exposed aggregate in concrete - Medium concrete	Medium	16-30	X	X	X	
Grinding to exposed aggregate in concrete - Soft concrete	Hard	16-30	X		X	
Flatten undulation in concrete floors - Hard concrete	Soft	16 or 30	X	X	X	
Flatten undulation in concrete floors - Medium concrete	Medium	16 or 30	X		X	
Flatten undulation in concrete floors - Soft concrete	Hard	16 or 30	X		X	

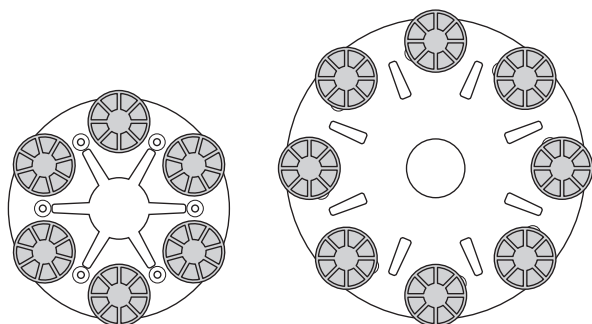
GRINDING GUIDE

Resin bond diamonds

Redi Lock resin attachment adaptor



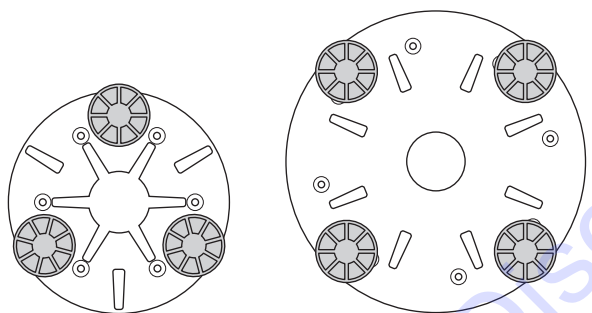
Full set - outer row



PG 280

PG 400

Half set - outer row



PG 280

PG 400

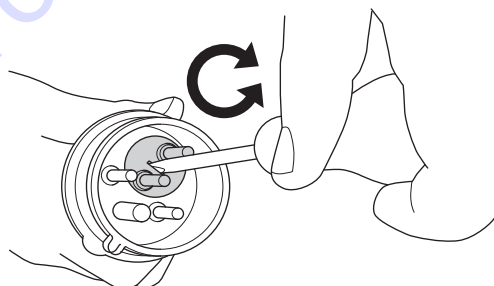
Selecting the correct resin bond diamond configuration for your application

Applications	Full set - outer row	Half set - outer row
Polishing terrazzo/stone tiles	X	
Resurfacing terrazzo/stone tiles		X
Surface polishing of concrete floors - Hard concrete		X
Surface polishing of concrete floors - Medium concrete		X
Surface polishing of concrete floors - Soft concrete		X

The motor's direction of rotation (3 phase)

The motor's direction can be changed by reversing the poles in the power plug.

NOTE! The Piranha/PCD tools are designed to run in only one direction.

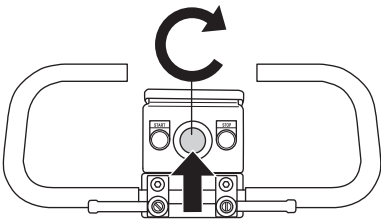


STARTING AND STOPPING

Before starting



- Position grinder on the working area.
- Make sure there are diamonds beneath the machine and that they are firmly attached.
- Connect the vacuum cleaner to the machine.
- Use locking knobs for handlebar adjustment to set most comfortable working height.
- Plug power supply to machine.
- Check that the emergency stop button is not pressed by turning it clockwise.

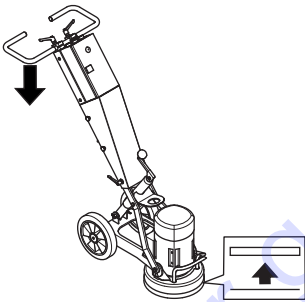


- Check the motor's direction of rotation

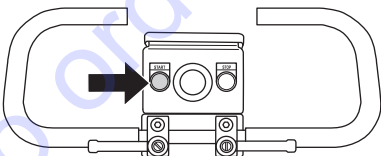
Starting



- Reduce the pressure between grinding disc and floor by pushing down on the handle without raising the grinding unit off the ground.



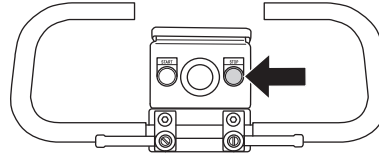
- Press the start button and keep it pressed a few seconds to start the machine.



Stopping



- Use the stop button to shut down the machine.



- Keep grinding segments in contact with the floor when stopping. This will help bring the machine to a complete stop quickly. Do not lift the grinding head off the floor when stopping as this can create a significant amount of dust in the air.

MAINTENANCE

Faults and trouble shooting

The machine will not run

- Check the power supply and the power cables and make sure that they are not damaged.
- Check that the emergency stop button is not pressed by turning it clockwise.

Machine is hard to hold onto

- Not enough diamonds under the machine (if grinding thick glue or soft floors, too few diamonds under the machine will greatly increase the load on grinder and operator). Usually also accompanied by high current draw by motor.

Increase number of diamonds under machine to reduce load on grinder and operator.

Machine is jumping around

- Rubber shock absorber pads in grinding unit may be worn out or damaged. Check and change if necessary.
- Diamonds may not be fitted correctly or have different heights. Check to ensure all diamonds are fitted correctly and are the same height.

The machine stops after just a while

- The machine is overloaded and the overload protection has been released. Reduce load. The machine will reboot after about a minute when the engine has cooled off.

The machine stops during start-up

- The electric motor has been overloaded or a phase is missing. Allow the machine one or two minutes to reset and try again. When this does not help, contact Discount-equipment.

Maintenance



IMPORTANT! Inspection and/or maintenance should be carried out with the motor switched off and the plug disconnected.

Used correctly, the machine is an extremely low-maintenance and reliable product.

Cleaning



Always pull out the plug from the outlet socket before cleaning, maintenance or assembly.

Always clean all the equipment at the end of the working day. Do not use a high pressure washer to clean the machine.

In order for the machine to always be cooled sufficiently the cooling air openings must be kept clear and clean.

Rubber shock absorber pads

Check the rubber shock absorbing pads every month. Replace if necessary.

Electrical Feed



WARNING! Never use damaged cables. They can cause serious, even fatal, personal injuries.

Check that the cord and extension cord are intact and in good condition.

Never use the machine if the cord is damaged, hand it in to an authorized service workshop for repair.

Skirt

Make sure that the rubber skirt is intact and clean and that it seals tightly against the floor. Damaged rubber skirt should always be replaced.

Service



IMPORTANT! All types of repairs may only be carried out by authorised repairmen. This is so that the operators are not exposed to great risks.

TECHNICAL DATA

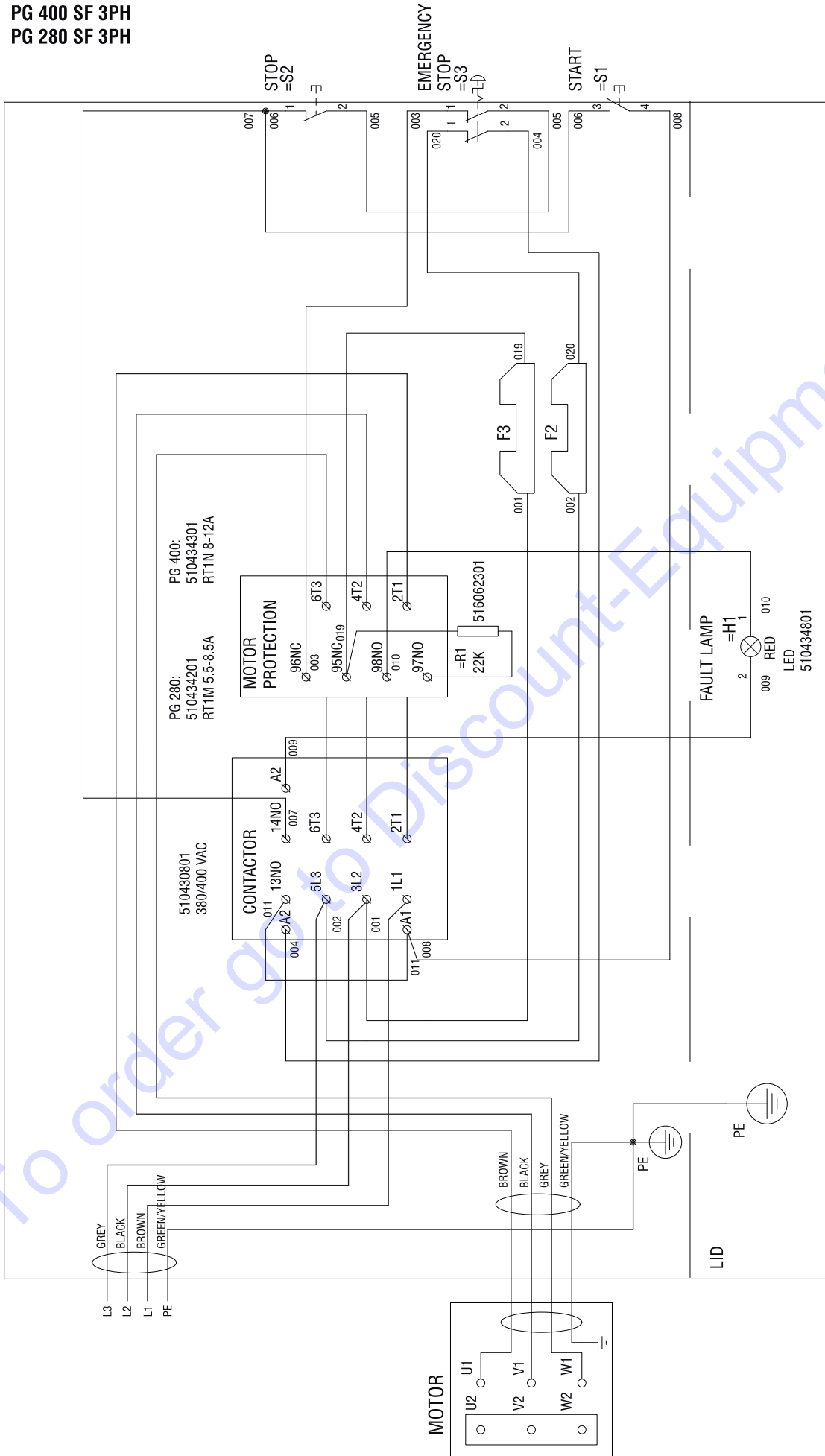
Technical data

	PG 400 SF	PG 280 SF	PG 280 SF (Single-phase)
Motor Power, kW/hp	4/5,4	3/4	2,2/3,0
Rated current, A	16	16	12,9
Rated voltage, V	400	400	230
Weight, kg/lbs	115/254	70/154	70/154
Grinding width, mm/inch	400/16	280/11	280/11
Grinding pressure, kg/lbs	65/143	35/77	35/77
Speed, rpm	1400	2800	1400

To order go to Discount-Equipment.com

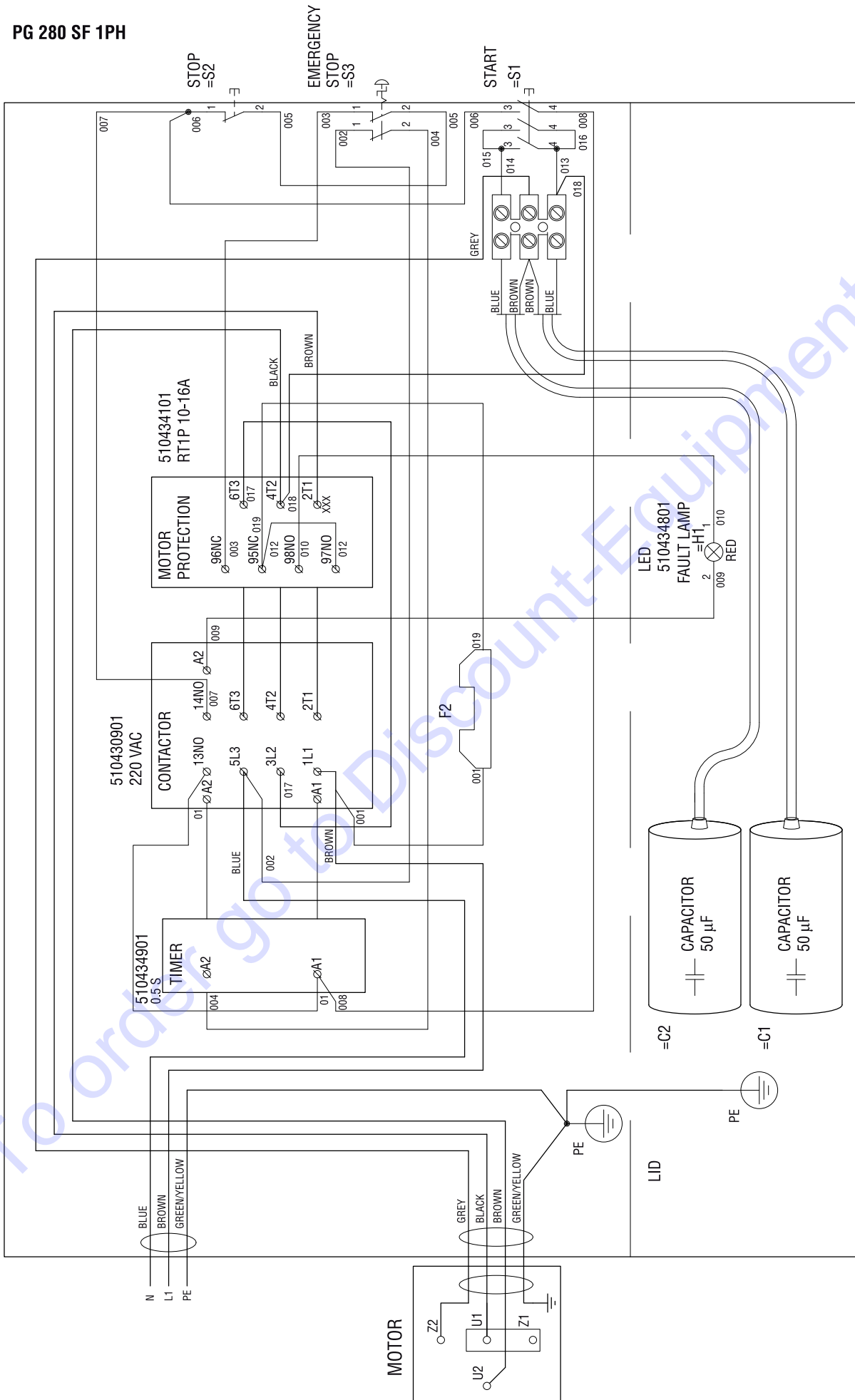
WIRING DIAGRAM

PG 400 SF 3PH
PG 280 SF 3PH



WIRING DIAGRAM

PG 280 SF 1PH



EXPLICATION DES SYMBOLES

Symboles sur la machine:

AVERTISSEMENT! La machine utilisée de manière imprudente ou inadéquate peut devenir un outil dangereux, pouvant causer des blessures graves voire mortelles à l'utilisateur et aux autres personnes présentes.



Lire attentivement et bien assimiler le manuel d'utilisation avant d'utiliser la machine.



Utiliser les équipements de protection personnelle. Voir au chapitre "Équipement de protection personnelle".



AVERTISSEMENT! La poussière générée par le meulage peut occasionner des lésions si elle est inhalée. Il convient d'utiliser un masque filtrant homologué. Veiller à toujours disposer d'une bonne ventilation.



Démarrage: Réduisez la pression entre le disque de meulage et le sol en appuyant sur la poignée sans que l'unité de meulage ne quitte le sol.



Marquage environnemental. Ce symbole figurant sur le produit ou sur son emballage indique que ce produit ne peut pas être traité comme déchet ménager.



En veillant à ce que ce produit soit correctement éliminé, vous pouvez contribuer à prévenir les conséquences négatives potentielles sur l'environnement et les hommes, qui pourraient sinon être le résultat d'un traitement incorrect des déchets de ce produit.

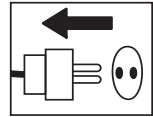


Pour des informations plus détaillées sur le recyclage de ce produit, contactez votre commune ou le magasin où vous avez acheté le produit.

Les autres symboles/autocollants présents sur la machine concernent des exigences de certification spécifiques à certains marchés.

Symboles dans le manuel:

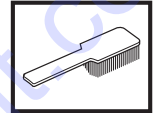
Les contrôles et/ou les entretiens doivent être effectués avec le moteur à l'arrêt et la prise électrique débranchée.



Toujours porter des gants de protection homologués.



Un nettoyage régulier est indispensable.



Examen visuel.



Porter des lunettes protectrices ou une visière.



SOMMAIRE

Sommaire

EXPLICATION DES SYMBOLES

Symboles sur la machine:	20
Symboles dans le manuel:	20

SOMMAIRE

Sommaire	21
----------------	----

QUELS SONT LES COMPOSANTS?

Composants de la meule	22
------------------------------	----

INSTRUCTIONS DE SÉCURITÉ

Mesures à prendre avant d'utiliser une nouvelle meuleuse	23
Équipement de protection personnelle	23
Instructions générales de sécurité	24

MONTAGE

Positionnez la poignée	26
Remplacement des diamants	26
Brancher l'aspirateur.	27
Transport	27

GUIDE DE MEULAGE

Diamants	28
Déterminer la dureté du ciment	28
Sélection des diamants	29
Sens de rotation du moteur	31

DÉMARRAGE ET ARRÊT

Avant de démarrer la machine	32
Démarrage	32
Arrêt	32

ENTRETIEN

Recherche de pannes et d'erreurs	33
Entretien	33
Service	33

CARACTÉRISTIQUES TECHNIQUES

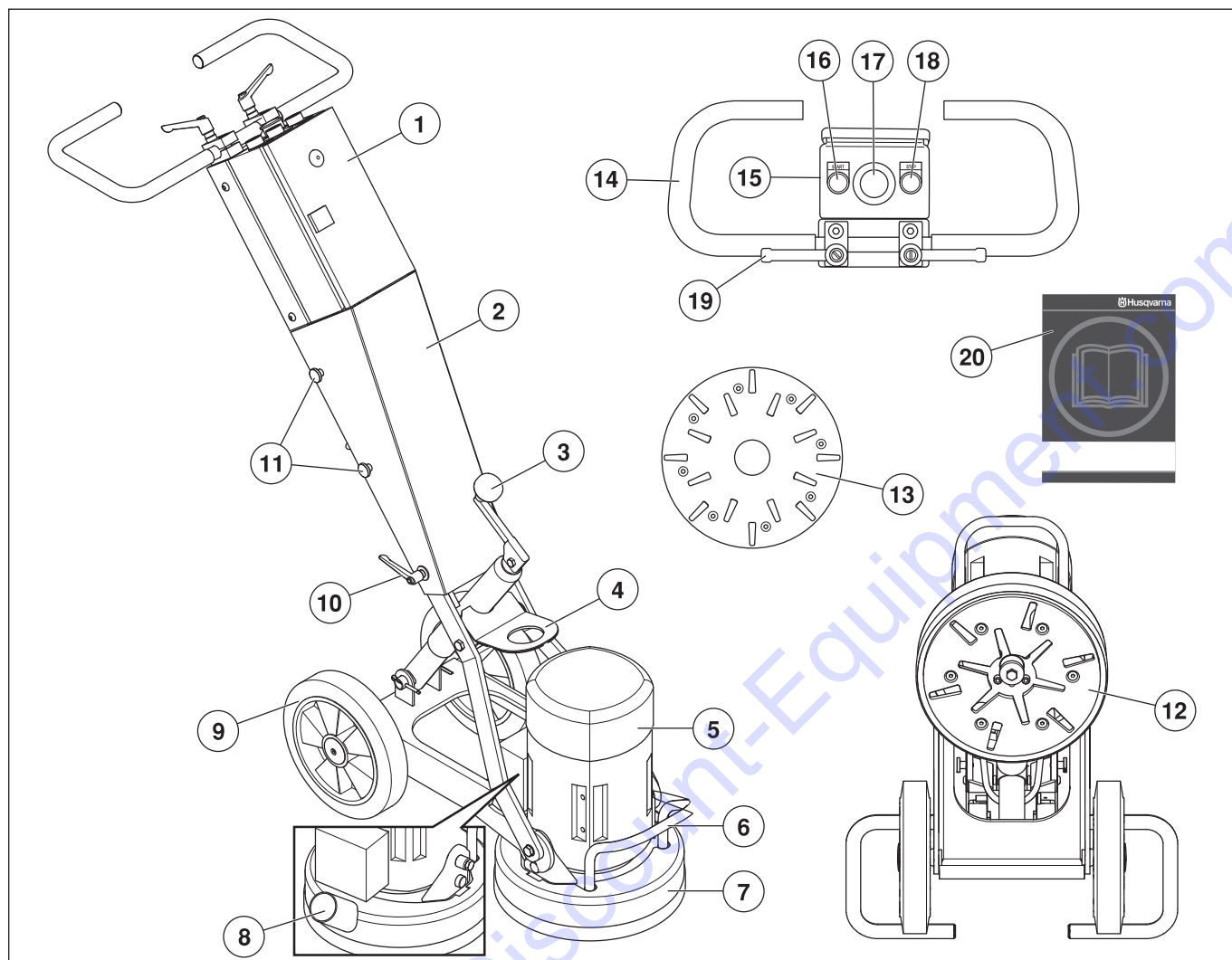
Caractéristiques techniques	34
-----------------------------------	----

DECLARATION DE GARANTIE ETATS-UNIS

POLITIQUE DE GARANTIE	35
EQUIPEMENT	35

SCHÉMA ÉLECTRIQUE

QUELS SONT LES COMPOSANTS?



Composants de la meule

- | | | | |
|----|--|----|--|
| 1 | Boîtier électrique | 11 | Vis, capot |
| 2 | Capot | 12 | Unité de meulage - PG 280 SF |
| 3 | Manivelle de réglage de la pression de meulage | 13 | Unité de meulage - PG 400 SF |
| 4 | Œillet de levage | 14 | Poignée / guidon |
| 5 | Moteur électrique | 15 | Panneau de commande |
| 6 | Poignée | 16 | Bouton de démarrage |
| 7 | Pare-poussière | 17 | Arrêt d'urgence |
| 8 | Raccordement pour aspirateur | 18 | Bouton d'arrêt |
| 9 | Train de roues | 19 | Bouton de verrouillage pour le réglage du guidon |
| 10 | Couvercle du bouton de verrouillage | 20 | Manuel d'utilisation (EPA) |

INSTRUCTIONS DE SÉCURITÉ

Mesures à prendre avant d'utiliser une nouvelle meuleuse

- Lire attentivement et bien assimiler le manuel d'utilisation avant d'utiliser la machine.
- Les meuleuses PG 400 SF et PG 280 SF sont conçues pour ôter des résidus de colle/adhésif, de mastic et autre de sols en béton et pour le meulage et l'aplanissement de sols en béton. L'abréviation « SF » signifie disque unique à vitesse constante (single disc, fixed speed).
- La machine peut provoquer des blessures personnelles graves. Lire attentivement les consignes de sécurité. Apprendre à bien utiliser la machine.
- Seul le personnel ayant reçu la formation pratique et théorique nécessaire à l'utilisation des machines est autorisé à utiliser ces machines.

Utilisez toujours votre bon sens

Il est impossible de mentionner toutes les situations auxquelles vous pouvez être confronté. Soyez toujours vigilant et utilisez l'appareil avec bon sens. Évitez toutes les situations pour lesquelles vous ne vous estimez pas suffisamment qualifié. Si, après avoir lu ces instructions, vous ne vous sentez toujours pas à l'aise quant à la manière de procéder, il convient de consulter un expert avant de poursuivre.

N'hésitez pas à prendre contact avec votre revendeur si vous avez des questions sur l'utilisation de la machine. Nous sommes à votre disposition et vous conseillerons avec plaisir pour vous aider à utiliser votre machine en toute sécurité et de façon efficace.

Faites régulièrement contrôler la machine par votre revendeur Husqvarna afin qu'il procède aux installations et réparations adéquates.

Toutes les informations et toutes les données indiquées dans ce manuel d'utilisation étaient valables à la date à laquelle ce manuel a été porté à l'impression.



AVERTISSEMENT! Ne jamais modifier, sous aucun prétexte, la construction initiale de la machine sans l'autorisation du fabricant. N'utiliser que des accessoires et des pièces d'origine. Toute modification non autorisée et/ou tout emploi d'accessoires non homologués peuvent provoquer des accidents graves voire mortels pour l'utilisateur et les autres.



AVERTISSEMENT! L'utilisation de découpeuses, rectifieuses, perceuses, ponceuses ou raboteuses entraîne la formation de poussières et vapeurs pouvant contenir des produits chimiques dangereux. C'est pourquoi il est essentiel de connaître le matériau travaillé et de porter un masque à poussière ou respiratoire approprié.



AVERTISSEMENT! La poussière provenant du ponçage, sciage, meulage, forage et autres travaux de construction contient des produits chimiques qui (selon l'État de Californie) risquent de causer le cancer, des malformations foetales et autres dangers pour la grossesse. Parmi ses produits chimiques :

Plomb provenant de peintures à base de plomb.

Silice cristallin provenant des briques, du ciment et d'autres produits de maçonnerie.

Arsenic et chrome provenant de bois ayant subi un traitement chimique.

Le risque entraîné par une exposition à ces produits varie en fonction de la fréquence à laquelle on effectue ce genre de travaux. Pour réduire l'exposition à ces produits chimiques, travailler dans un local bien aéré et utiliser un équipement de sécurité agréé, par exemple un masque anti-poussière spécialement conçu pour filtrer des particules microscopiques.

Équipement de protection personnelle



AVERTISSEMENT! Un équipement de protection personnelle homologué doit impérativement être utilisé lors de tout travail avec la machine. L'équipement de protection personnelle n'élimine pas les risques mais réduit la gravité des blessures en cas d'accident. Demander conseil au concessionnaire afin de choisir un équipement adéquat.

- Casque de protection
- Protecteur d'oreilles
- Lunettes protectrices ou visière
- Masque respiratoire
- Gants solides permettant une prise sûre.
- Vêtements confortables, robustes et serrés qui permettent une liberté totale de mouvement.
- Bottes avec coquille en acier et semelle antidérapante
- Une trousse de premiers secours doit toujours être disponible.

INSTRUCTIONS DE SÉCURITÉ

Instructions générales de sécurité



AVERTISSEMENT! Le présent chapitre décrit les consignes de sécurité de base relatives à l'utilisation de la machine. Aucune de ces informations ne peut remplacer l'expérience et le savoir-faire d'un professionnel. Si vous êtes confronté à une situation où vous pensez ne pas être en sécurité, arrêtez immédiatement et consultez un spécialiste. Veuillez contacter votre revendeur, votre atelier de réparation ou un utilisateur expérimenté. Il convient d'éviter tous les travaux pour lesquels vous ne vous sentez pas suffisamment qualifié !

- Ne pas utiliser la machine sans avoir lu et compris préalablement le présent manuel d'utilisation.

Sécurité dans l'espace de travail

- Ne pas travailler par mauvais temps: par exemple en cas de brouillard épais, de pluie, de vent violent, de froid intense, etc.
- Maintenir un espace de travail propre et bien éclairé. Les espaces encombrés ou sombres exposent à des accidents.
- La machine ne doit pas être utilisée dans des zones à risque d'incendie ou d'explosion.

Sécurité électrique



AVERTISSEMENT! Il existe toujours un risque de choc avec les machines électriques. Évitez de travailler par mauvais temps ainsi que tout contact du corps avec du métal/un parafoudre. Suivez toujours les instructions du manuel d'utilisation pour éviter tout dommage.

- Ne tirez jamais la machine par le câble d'alimentation et ne la débranchez jamais en tirant sur le câble.
- Tenez à l'écart et protégez tous les câbles de l'eau, de l'huile et de bords tranchants. Veillez à ce que le câble ne soit pas coincé dans des portes, des clôtures ou tout autre équipement similaire. Des objets pourraient alors être sous tension.
- Contrôlez que les câbles sont intacts et en bon état. Utilisez le câble destiné à un usage externe.
- Ne pas utiliser la machine si le câble est endommagé. Il convient dès lors de la confier à un atelier de réparation agréé.
- La machine doit être branchée à une prise de terre.
- Contrôler que la tension secteur est conforme aux indications sur la plaque de la machine.
- Faire attention aux décharges électriques. Éviter tout contact du corps avec du métal/un parafoudre dans le sol.
- N'utilisez pas la rallonge lorsqu'elle est enroulée afin d'éviter toute surchauffe.
- Veiller à avoir le câble derrière soi lors de l'utilisation de la machine pour ne pas risquer de l'abîmer.

Sécurité du personnel



AVERTISSEMENT! Une exposition excessive aux vibrations peut entraîner des troubles circulatoires ou nerveux chez les personnes sujettes à des troubles cardio-vasculaires. Consultez un médecin en cas de symptômes liés à une exposition excessive aux vibrations. De tels symptômes peuvent être: engourdissement, perte de sensibilité, chatouillements, picotements, douleur, faiblesse musculaire, décoloration ou modification épidermique. Ces symptômes affectent généralement les doigts, les mains ou les poignets. Ces symptômes peuvent être accentués par le froid.

- Utiliser les équipements de protection personnelle. Voir au chapitre "Équipement de protection personnelle".
- Éviter d'utiliser la machine en cas de fatigue, d'absorption d'alcool ou de prise de médicaments susceptibles d'affecter l'acuité visuelle, le jugement ou la maîtrise du corps.
- Ne jamais laisser d'autres personnes utiliser la machine sans s'être assuré au préalable que ces personnes ont bien compris le contenu du mode d'emploi.
- Tous les opérateurs doivent recevoir une formation sur l'utilisation de la machine. Il incombe au propriétaire de garantir que les opérateurs reçoivent une formation.
- Des personnes ou des animaux peuvent détourner l'attention de l'opérateur et l'amener à perdre le contrôle de la machine. C'est pourquoi l'opérateur doit toujours être attentif et concentré sur son travail.
- Attention! Les habits, les cheveux longs et les bijoux peuvent se coincer dans les parties en mouvement.
- Ne laissez jamais la machine sans surveillance avec le moteur en marche.
- Lors de l'utilisation des machines, prévoyez toujours une personne à proximité afin de pouvoir obtenir de l'aide en cas d'accident.
- Toujours adopter une position de travail sûre et stable.

INSTRUCTIONS DE SÉCURITÉ

Utilisation et entretien

- Utiliser la machine uniquement pour les travaux auxquels elle est destinée.
- Assurez-vous que toutes les pièces sont en état de fonctionnement et que tous les éléments de fixation sont correctement serrés.
- Ne jamais utiliser une machine qui n'est pas en parfait état de marche. Suivre dans ce manuel d'utilisation les instructions de maintenance, de contrôle et d'entretien. Certaines mesures de maintenance et d'entretien doivent être confiées à un spécialiste dûment formé et qualifié. Voir au chapitre Entretien.
- Ne modifiez jamais les dispositifs de sécurité. Contrôlez régulièrement qu'ils fonctionnent correctement. La machine ne doit pas être utilisée si les dispositifs de sécurité sont défectueux ou ne sont pas montés.
- Ne jamais utiliser une machine qui a été modifiée au point de ne plus être conforme au modèle original.
- La machine ne doit être démarrée que lorsque les têtes de meulage reposent sur le sol sauf pour effectuer certains tests indiqués dans ce manuel.
- La machine ne doit pas être démarrée tant que le pare-poussière en caoutchouc n'est pas en place. Une bonne étanchéité est essentielle entre la machine et le sol pour des raisons de sécurité, particulièrement pour des applications de meulage à sec.
- Pendant le meulage, il convient de raccorder la machine à un aspirateur pour l'évacuation de la poussière.
- Lors du remplacement des disques de meulage, vérifiez que l'alimentation en courant de l'unité a été coupée (sur OFF) en actionnant le bouton d'arrêt d'urgence et en débranchant la prise.
- Après chaque opération de meulage/polissage, il convient de toujours retirer les éléments en diamant.
- Il convient de s'assurer que la jupe de caoutchouc est intacte et propre, et qu'elle est posée correctement sur le sol. Il convient de remplacer la jupe de caoutchouc si elle est endommagée.
- Après avoir utilisé la machine pour retirer de la colle, de l'asphalte, de la peinture, etc., il convient de toujours la soulever du sol afin d'éviter qu'elle adhère au sol à cause de la chaleur émise. Il convient d'attendre que la tête de meulage s'immobilise avant de soulever la machine.
- Après utilisation, les éléments diamant peuvent être très chauds. Laisser la machine refroidir avant d'ôter les éléments diamant. Utiliser des gants de protection.
- Pour soulever la machine, toujours utiliser l'œilleton de levage dont elle est munie.
- Toujours porter la machine par les poignées.

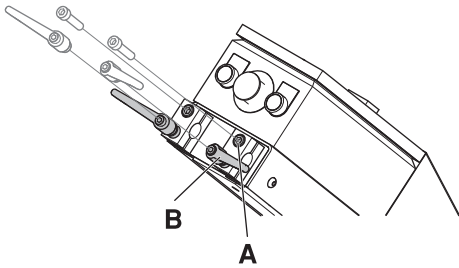
Transport et rangement

- La machine doit toujours être transportée sous une bâche afin de ne pas être exposée aux éléments tels que la pluie et la neige.
- Stockez l'équipement dans un endroit verrouillé afin de le maintenir hors de portée des enfants et de toute personne incompétente.
- La machine doit toujours être remise dans un endroit sec quand elle n'est pas utilisée.

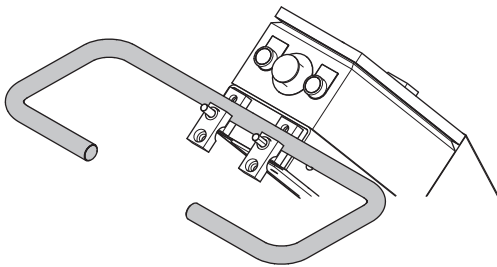
MONTAGE

Positionnez la poignée

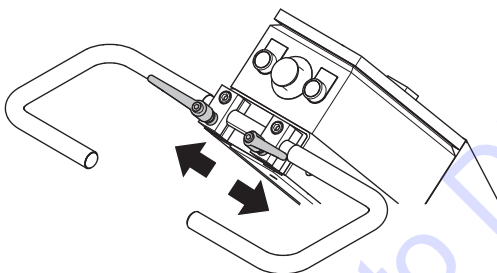
- Retirez les vis (A).



- Retirez les boutons de verrouillage (B).
- Placer la poignée dans son support sur la machine.



- Remonter les vis (A) et les boutons de verrouillage (B).
- Les boutons de verrouillage doivent être positionnés le long du guidon afin de réduire les risques qu'ils soient endommagés lorsque la machine est posée pour un changement d'outils.



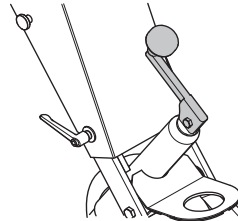
Remplacement des diamants



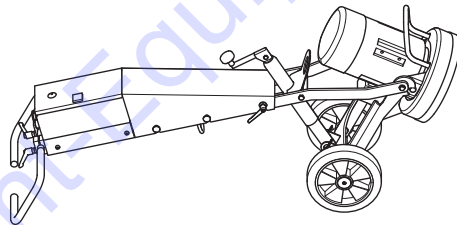
Éteindre la machine et débrancher la prise d'alimentation.

Veiller à avoir une paire de gants à disposition. Les éléments diamant peuvent en effet être très chauds.

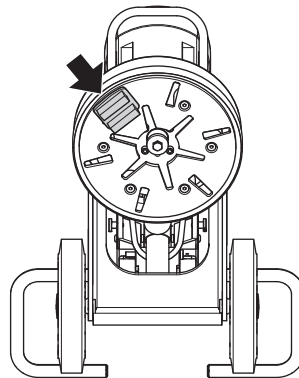
- Lever le guidon sur la position la plus élevée.



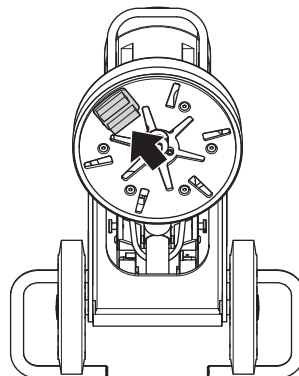
- Tirez la poignée pour lever la tête de surfacage afin qu'elle ne repose plus sur sol.
- Rabaissez la machine sur le sol.



- Mettez les gants.
- Utilisez un marteau pour retirer les segments en diamant.



- Fixer de nouveaux segments diamant sur le disque de meulage.

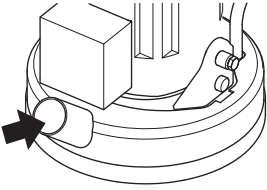


- Une fois les nouveaux diamants en place, procédez inversement pour abaisser la machine sur le sol.

MONTAGE

Brancher l'aspirateur.

Raccorder l'aspirateur à la machine. Utilisez une buse de 50 mm.

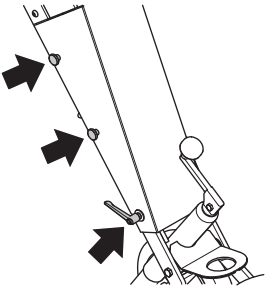


- Il est fortement recommandé d'utiliser le système d'extraction de poussière Husqvarna DC 3300 pour un contrôle optimal de la poussière.
- Veiller à ce que les filtres de l'aspirateur soient en bon état et propres. Faire attention à la poussière au cours de l'opération.
- Ajustez la jupe de caoutchouc afin que la machine soit en contact avec le sol pour un ramassage efficace de la poussière.

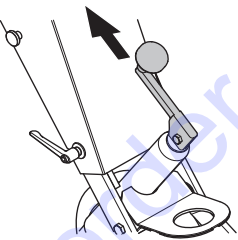
Transport

La machine peut être repliée pour réduire l'encombrement lors du transport.

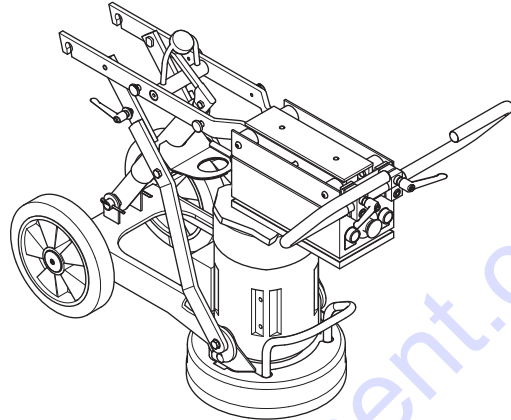
- Desserrer les vis et la poignée de verrouillage qui maintiennent le capot en place.



- Déposer le capot.
- Placer la manivelle, levier pointant vers le haut.



- Plier délicatement la machine vers l'avant. Placez un rembourrage entre le moteur et le boîtier électrique pour éviter d'endommager la machine.



- Le capot peut être attaché sur le côté de la machine.

TO PURCHASE THIS PRODUCT PLEASE CONTACT US



**Equipment Financing and
Extended Warranties Available**



**Discount-Equipment.com is your online resource for
commercial and industrial quality parts and equipment sales.**

561-964-4949

visit us on line @ www.discount-equipment.com

Select an option below to find your Equipment

Search by Manufacturer

Search by Product Type

Request a Quote

We sell worldwide for the brands: Genie, Terex, JLG, MultiQuip, Mikasa, Essick, Whiteman, Mayco, Toro Stone, Diamond Products, Generac Magnum, Airman, Haulotte, Barreto, Power Blanket, Nifty Lift, Atlas Copco, Chicago Pneumatic, Allmand, Miller Curber, Skyjack, Lull, Skytrak, Tsurumi, Husquvarna Target, Stow, Wacker, Sakai, Mi-T-M, Sullair, Basic, Dynapac, MBW, Weber, Bartell, Bennar Newman, Haulotte, Ditch Runner, Menegotti, Morrison, Contec, Buddy, Crown, Edco, Wyco, Bomag, Laymor, EZ Trench, Bil-Jax, F.S. Curtis, Gehl Pavers, Heli, Honda, ICS/PowerGrit, IHI, Partner, Imer, Clipper, MMD, Koshin, Rice, CH&E, General Equipment, Amida, Coleman, NAC, Gradall, Square Shooter, Kent, Stanley, Tamco, Toku, Hatz, Kohler, Robin, Wisconsin, Northrock, Oztec, Toker TK, Rol-Air, APT, Wylie, Ingersoll Rand / Doosan, Innovatech, Con X, Ammann, Mecalac, Makinex, Smith Surface Prep, Small Line, Wanco, Yanmar

Diamants

Historique

Les diamants sont composés de deux éléments abrasifs:

- La poudre de diamant (auss appelé cristaux de diamant ou grains) Changer la taille de la poudre diamant ou des grains permet de déterminer la taille des rainures – fines ou grossières – laissées par le processus de surfaçage.
- Un agent de liage (métal ou résine). La poudre de diamant est mélangée et suspendue dans un agent de liage en métal ou en résine. En cas de suspension dans un agent de liage en métal, le produit fini est appelé alliage métallique ou segment diamanté fritté. En cas de suspension dans un agent de liage en résine, le produit fini est appelé segment ou coussinet diamanté à alliage résineux. Modifier la dureté de l'agent de liage permet de changer la vitesse d'usure de l'élément abrasif du diamant.

Principes généraux

Les règles générales suivantes concernent les segments diamantés dans les applications de surfaçage. Comme toutes les règles générales, celles-ci comportent des exceptions.

Taille des grains de diamant

Réduire la taille des grains affecte les performances de l'outil des manières suivantes:

- Création d'un agencement de rayures fines.
- Augmenter la durée de vie de l'outil diamanté.

Le contraire se produit si vous passez à des particules/grains plus gros.

Agent de liage

Une augmentation de la dureté de l'alliage va:

- Création d'un agencement de rayures fines.
- Augmenter la durée de vie de l'outil diamanté.
- Réduire le taux de production.

Le contraire se produit quand l'alliage en métal ou en résine est plus mou.

Nombre de segments/coussinets en diamant sous la machine

L'augmentation du nombre de segments sous la machine va:

- Réduire la pression sur chaque segment diamanté. – Réduire le taux d'usure des segments diamantés.
- Réduire la charge sur la machine qui meule utilise moins de courant.
- Créer un agencement plus régulier des rayures (particulièrement sur les sols doux).

Le contraire se produit si vous réduisez le nombre de segments sous la machine.

Résumé des principes des diamants

Les segments diamantés doivent s'user pour garantir la productivité. L'usure des segments diamantés est affectée par les facteurs suivants :

- Pression.
- Dureté de l'alliage.
- Taille des grains de diamant.
- Nombre de segments sous la machine.
- L'addition d'un agent abrasif sur le sol (par ex. du sable ou du carbure de silicone) augmentera l'usure.

De manière générale, plus un segmenté diamanté s'use rapidement et plus la productivité est élevée. En variant les facteurs ci-dessus, des modifications peuvent aussi être effectuées affectant les points suivants:

- Agencement des rayures.
- Consommation de courant de la machine.
- Planéité du sol (voir la section suivante).
- Facilité d'utilisation.

Déterminer la dureté du ciment

Tous les ciments sont mesurés par leur résistance à la compression et les unités d'évaluation de cette résistance sont différentes en fonction de la partie du monde dans laquelle vous vivez (ex. P*Si* & M*Pa*). De manière générale, plus la résistance à la compression est élevée, plus le ciment est dur et plus il sera dur à meuler.

Cependant, des facteurs autres que la résistance à la compression déterminent la dureté du sol et donc la sélection du diamant approprié. Dans la mesure où le meulage ne concerne que la surface du ciment (au plus 5 mm soit 1/4 de pouce), la manière dont la finition du sol a été effectuée ou l'état de la surface sera souvent plus importants que la résistance à la compression du ciment pour sélectionner le type de diamant à utiliser.

Facteurs de la surface à considérer lors de la sélection du diamant

Généralement, si une surface en ciment est très lisse (c.-à-d. qu'elle a probablement été finie à la truelle), le ciment se comporte comme s'il était d'une résistance élevée à la compression nécessitant donc un segment à alliage doux.

Ainsi, si une surface en ciment est grossière/agressive (c.-à-d. abîmée par la pluie, décapée au sable, scarifiée, etc.), le ciment se comporte comme si sa résistance à la compression était faible et il nécessite donc un segment en alliage dur.

Les revêtements de surface (tels que les revêtements epoxy, les colles pour dalles en céramique, les enduits de lissage/chappes) sont souvent plus importants que la résistance à la compression du ciment pour le choix du diamant approprié.

Généralement, quand vous polissez un bloc de ciment pour la première fois sans bien connaître son degré de dureté, commencez toujours avec des diamants d'un alliage dur. Ceci limite au minimum l'usure des segments diamantés. Si un segment diamanté dur ne convient pas à l'application, vous avez certes perdu un peu de temps mais vous n'avez pas usé les diamants.

Si vous aviez, au contraire, commencé par utiliser un segment doux sur un ciment doux ou recouvert d'une surface abrasive, il est quasiment certain que vous auriez usé une quantité considérable de diamant en très peu de temps.

GUIDE DE MEULAGE

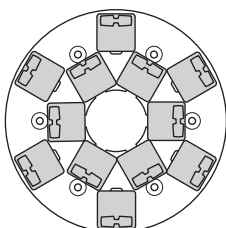
Sélection des diamants

La façon dont les segments à diamant sont placés sur l'unité de meulage influencera considérablement les performances de la machine, les niveaux de productivité ainsi que la qualité du sol fini.

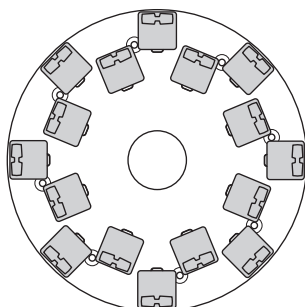
Il existe plusieurs configurations différentes que l'on peut utiliser à la fois pour la PG 400 SF et la PG 280 SF.

Diamants à liant métallique

Insertion complète - rangée intérieure et extérieure

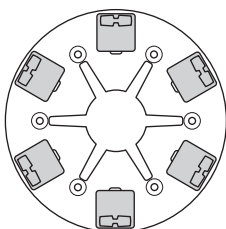


PG 280

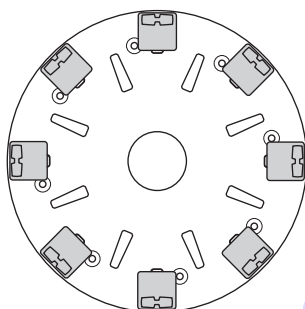


PG 400

Insertion complète - rangée extérieure

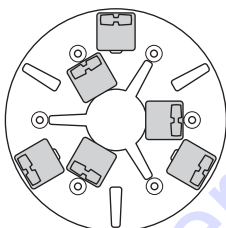


PG 280

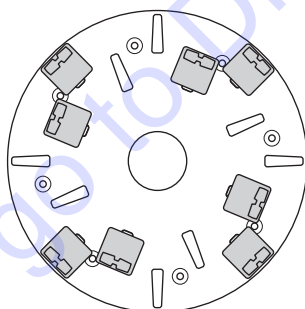


PG 400

Insertion à moitié - rangée intérieure et extérieure

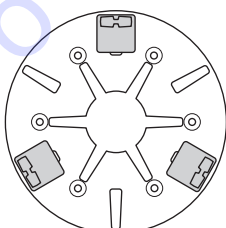


PG 280

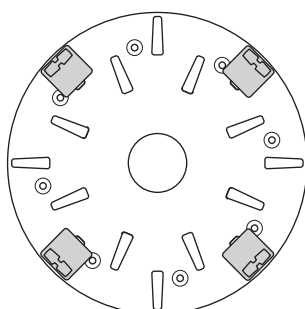


PG 400

Insertion à moitié - rangée extérieure



PG 280



PG 400

GUIDE DE MEULAGE

Sélectionnez les diamants à liant métallique adéquats pour votre application.

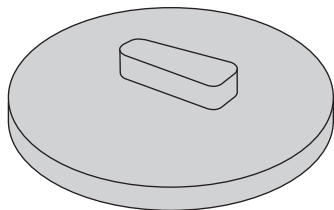
La suggestion suivante couvre les configurations de base pour des outils diamant à liant métallique.

Domaines d'utilisation	Alliage métallique	Taille des grains	Insertion complète - rangée intérieure et extérieure	Insertion complète - rangée extérieure	Insertion à moitié - rangée intérieure et extérieure	Insertion à moitié - rangée extérieure
Sol aplani – Ciment dur	Doux	16 ou 30	X			
Sol aplani – Ciment moyen	Moyen	16 ou 30	X			
Sol aplani – Ciment doux	Dur	16 ou 30	X			
Élimination des restes de colle sur les dalles en céramique	Moyen	PIRANHA™ ou 16-30	X			
Vinyl ou retrait de colle sur un tapis – Ciment dur	Doux	PIRANHA™ ou 16-30			X	X
Vinyl ou retrait de colle sur un tapis – Ciment moyen	Moyen	PIRANHA™ ou 16-30			X	X
Vinyl ou retrait de colle sur un tapis – Ciment doux	Dur	PIRANHA™ ou 16-30			X	X
Retrait de peinture epoxy – Ciment dur	Doux	PIRANHA™ ou 16-30		X	X	
Retrait de peinture epoxy – Ciment moyen	Moyen	PIRANHA™ ou 16-30		X		
Retrait de peinture epoxy – Ciment doux	Dur	PIRANHA™ ou 16-30		X		
Ciment endommagé par la pluie	Dur	16-30	X		X	
Lissage de béton exposé	Dur	16-30	X		X	
Polissage des irrégularités des dalles en terrazzo / pierre	Doux	30 ou 60	X			
Polissage de la surface des sols en ciment – Ciment dur	Doux	60			X	X
Polissage de la surface des sols en ciment – Ciment moyen	Moyen	60			X	X
Polissage de la surface des sols en ciment – Ciment doux	Dur	60			X	X
Surfaçage pour exposer le béton dans le ciment – Ciment dur	Doux	16-30	X	X	X	
Surfaçage pour exposer le béton dans le ciment – Ciment moyen	Moyen	16-30	X	X	X	
Surfaçage pour exposer le béton dans le ciment – Ciment doux	Dur	16-30	X		X	
Aplanissement des sinuosités des sols en ciment – Ciment dur	Doux	16 ou 30	X	X	X	
Aplanissement des sinuosités des sols en ciment – Ciment moyen	Moyen	16 ou 30	X		X	
Aplanissement des sinuosités des sols en ciment – Ciment doux	Dur	16 ou 30	X		X	

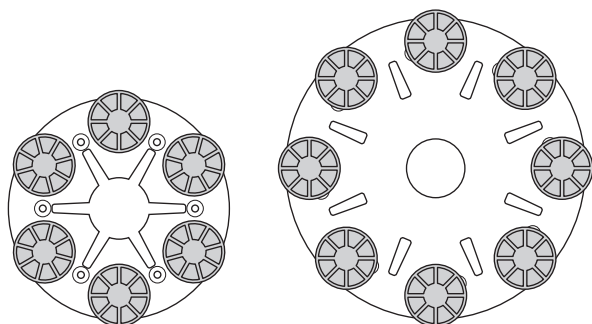
GUIDE DE MEULAGE

Diamants à liant résinoïde

Adaptateur liant résinoïde Redi Lock



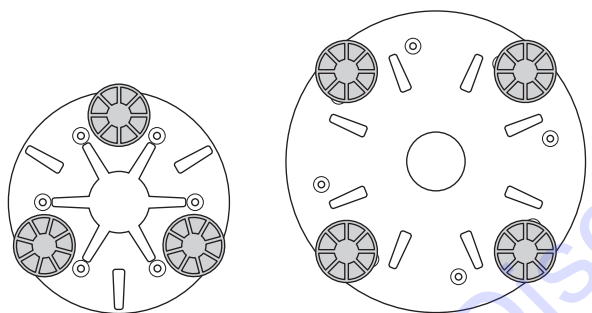
Insertion complète - rangée extérieure



PG 280

PG 400

Insertion à moitié - rangée extérieure



PG 280

PG 400

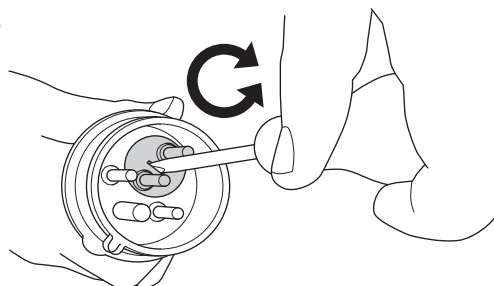
Sélectionnez la configuration diamants à liant résinoïde adéquate pour votre application.

Domaines d'utilisation	Insertion complète - rangée extérieure	Insertion à moitié - rangée extérieure
Polissage terrazzos/tuiles en pierre	X	
Rectification terrazzos/tuiles en pierre		X
Polissage de la surface des sols en ciment – Ciment dur		X
Polissage de la surface des sols en ciment – Ciment moyen		X
Polissage de la surface des sols en ciment – Ciment doux		X

Sens de rotation du moteur (3 phases)

Le sens du moteur peut être modifié en inversant les pôles de la fiche d'alimentation électrique.

REMARQUE! Les outils Piranha/PCD sont conçus pour ne fonctionner que dans un sens.

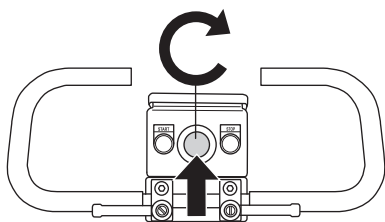


DÉMARRAGE ET ARRÊT

Avant de démarrer la machine



- Positionnez la machine sur la surface de travail.
- S'assurer qu'il y a des diamants sous la machine et qu'ils sont fixés solidement.
- Raccorder l'aspirateur à la machine.
- Utilisez les boutons de verrouillage pour régler le guidon à une hauteur de travail plus confortable.
- Branchez l'alimentation électrique de la machine.
- Veiller à ne pas appuyer sur le bouton d'arrêt d'urgence en le tournant dans le sens des aiguilles d'une montre.

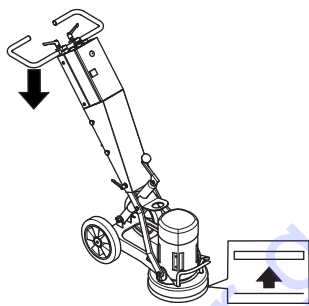


- Vérifier le sens de rotation du moteur.

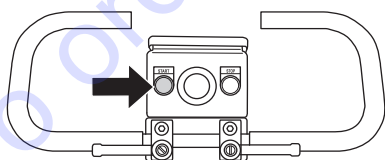
Démarrage



- Réduisez la pression entre le disque de meulage et le sol en appuyant sur la poignée sans que l'unité de meulage ne quitte le sol.



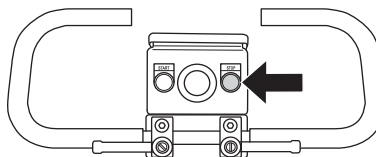
- Appuyer sur le bouton de démarrage et maintenir la pression pendant quelques secondes pour démarrer la machine.



Arrêt



- Utiliser le bouton d'arrêt et éteindre la machine.



- Laissez les segments de meulage en contact avec le sol lors de l'arrêt de la machine. Cela aidera la machine à s'arrêter complètement rapidement. Ne levez pas la tête de meulage du sol lors de l'arrêt de la machine. Cela pourrait générer une grande quantité de poussières dans l'air.

Recherche de pannes et d'erreurs

La machine ne tourne pas

- Vérifier l'alimentation électrique et les câbles en s'assurant qu'ils ne sont pas endommagés.
- Veiller à ne pas appuyer sur le bouton d'arrêt d'urgence en le tournant dans le sens des aiguilles d'une montre.

La machine est difficile à tenir

- Pas assez de diamants sous la machine (en cas d'élimination de colle épaisse sur des sols doux, la charge sur la machine et l'opérateur augmente considérablement s'il y a trop peu de diamants sous la machine). L'appareil est généralement équipé d'un moteur haute tension.

Augmentez le nombre de diamants sous la machine pour réduire la charge sur la machine et l'opérateur.

La machine sursaute

- Les plaques en caoutchouc pour l'absorption des chocs dans l'unité de meulage peuvent s'user ou s'endommager. Contrôlez-les et remplacez-les si nécessaire.
- Il se peut que les diamants ne soient pas placés correctement ou qu'ils aient des hauteurs différentes. Vérifiez que tous les diamants sont installés correctement et qu'ils sont de la même hauteur.

La machine s'arrête après un court instant

- La machine est surchargée et la protection contre les surcharges s'est enclenchée. Réduire la charge. La machine redémarrera après une minute environ, dès que le moteur aura refroidi.

La machine s'arrête au démarrage

- Le moteur électrique est surchargé ou une phase manque. Laissez une ou deux minutes à la machine pour se réinitialiser, puis réessayez. Si le problème demeure, contacter un atelier de réparation autorisé.

Entretien



IMPORTANT! Les contrôles et/ou les entretiens doivent être effectués avec le moteur à l'arrêt et la prise électrique débranchée.

Utilisée correctement, la machine est d'une grande fiabilité et ne nécessite que très peu de maintenance.

Nettoyage



Toujours débrancher la prise avant le nettoyage, l'entretien et le montage.

Toujours nettoyer l'équipement complet à la fin de la journée de travail. Ne pas utiliser de nettoyeur haute pression pour le nettoyage de la machine.

Pour que le refroidissement de la machine fonctionne correctement, les ouvertures de l'air de refroidissement doivent être propres et ne pas être bouchées.

Plaques en caoutchouc pour l'absorption des chocs

Vérifiez tous les mois les plaques en caoutchouc pour l'absorption des chocs. Remplacez-les si nécessaire.

Alimentation électrique



AVERTISSEMENT! N'utilisez jamais de câbles endommagés car ils peuvent entraîner des blessures graves, voire mortelles.

Contrôler que le câble et la rallonge sont entiers et en bon état.

Ne pas utiliser la machine si le câble est endommagé, la confier à un atelier d'entretien agréé pour réparation.

Pare-poussière

Il convient de s'assurer que la jupe de caoutchouc est intacte et propre, et qu'elle est posée correctement sur le sol. Il convient de remplacer la jupe de caoutchouc si elle est endommagée.

Service



IMPORTANT! Toutes les réparations doivent être effectuées par des réparateurs agréés. Ceci permet d'éviter que les opérateurs ne soient exposés à des risques importants.

CARACTÉRISTIQUES TECHNIQUES

Caractéristiques techniques

	PG 400 SF	PG 280 SF	PG 280 SF (Monophasé)
Puissance du moteur, kW/hp	4/5,4	3/4	2,2/3,0
Courant nominal, A	16	16	12,9
Tension nominale, V	400	400	230
Poids, kg/lbs	115/254	70/154	70/154
Largeur de surfaçage, mm/pouces	400/16	280/11	280/11
Pression de surfaçage, kg/lbs	65/143	35/77	35/77
Vitesse, tr/min.	1400	2800	1400

To order go to Discount-Equipment.com

SCHÉMA ÉLECTRIQUE

PG 400 SF 3PH
PG 280 SF 3PH

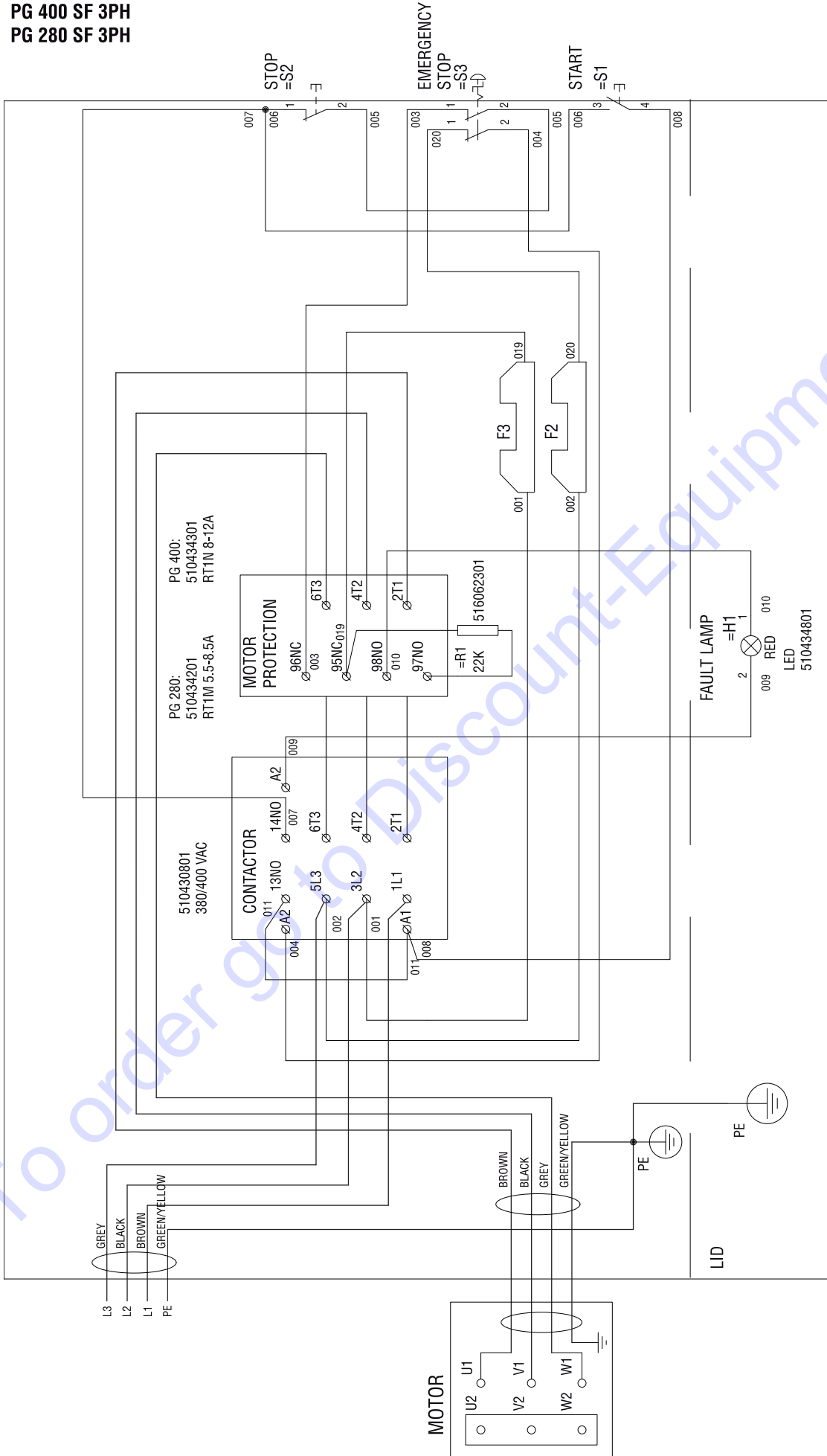
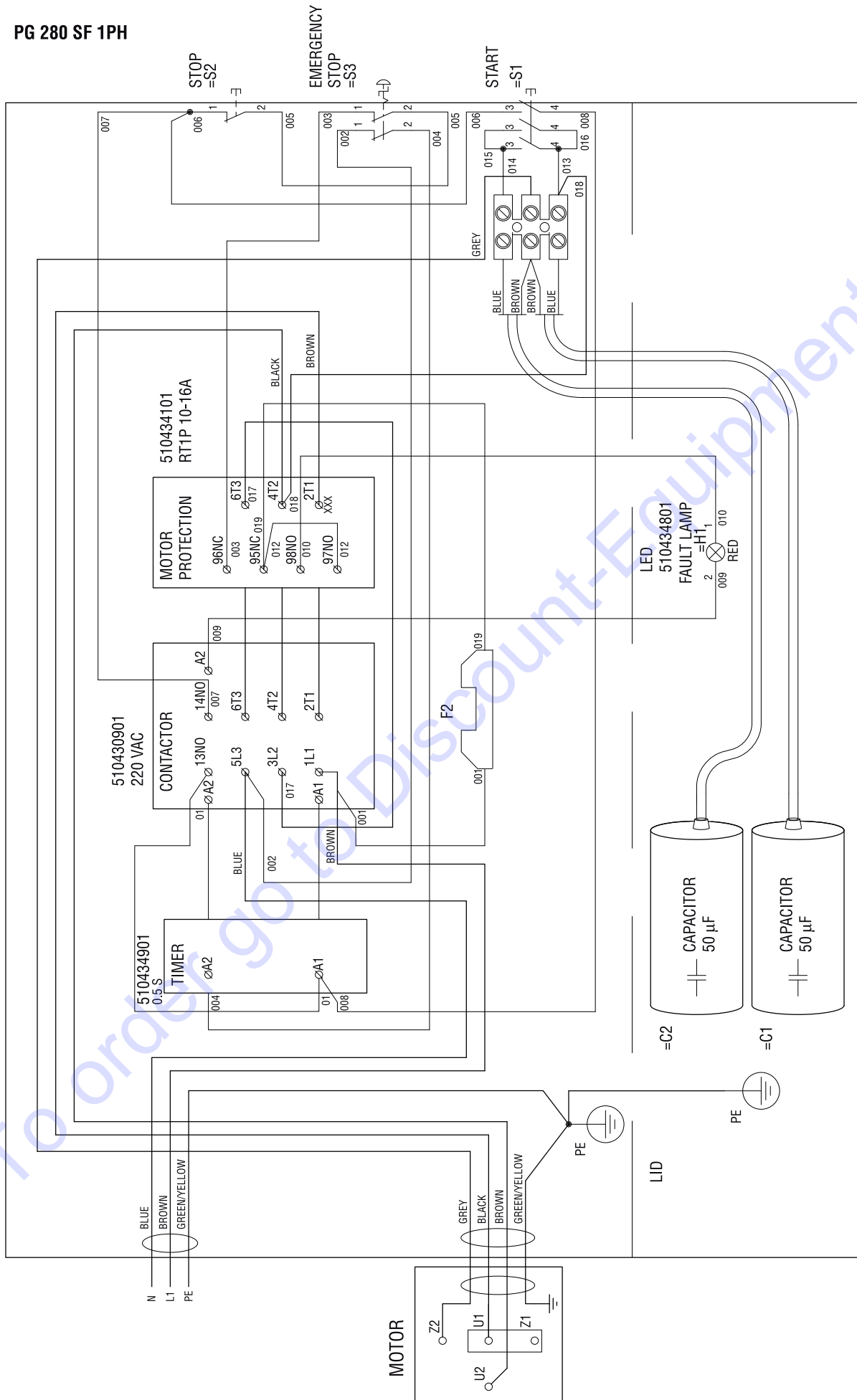


SCHÉMA ÉLECTRIQUE

PG 280 SF 1PH



ACLARACION DE LOS SIMBOLOS

Símbolos en la máquina:

¡ATENCIÓN! La máquina, si se utiliza de forma errónea o descuidada, puede ser una herramienta peligrosa que puede causar daños graves e incluso la muerte al usuario y a otras personas.



Lea detenidamente el manual de instrucciones y asegúrese de entender su contenido antes de utilizar la máquina.



Utilice el equipo de protección personal. Vea las instrucciones bajo el título "Equipo de protección personal".



¡ATENCIÓN! Al amolar se genera polvo que puede causar daños por inhalación. Utilice una máscara respiratoria homologada. Procure que haya buena ventilación.



Arranque: Reduzca la presión entre el disco de amolado y el suelo empujando hacia abajo la empuñadura sin levantar la unidad de amolado del suelo.



Este producto cumple con la directiva CE vigente.



Etiquetado ecológico. El símbolo en el producto o en su envase indica que no se puede tratar este producto como desperdicio doméstico.



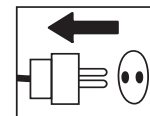
Haciendo que este producto sea manipulado adecuadamente, se ayuda a evitar consecuencias negativas potenciales para el medio ambiente y las personas, lo que puede ocurrir con la manipulación inadecuada como residuos del producto.

Para obtener información más detallada sobre el reciclado de este producto, contacte con la oficina municipal local, con el servicio de eliminación de desperdicios domésticos o con la tienda donde compró el producto.

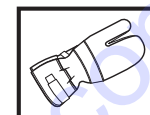
Los demás símbolos/etiquetas que aparecen en la máquina corresponden a requisitos de homologación específicos en determinados mercados.

Símbolos en el manual de instrucciones:

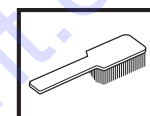
El control y/o mantenimiento de la máquina debe hacerse con el motor parado y el enchufe desenchufado.



Utilice siempre guantes protectores homologados.



La máquina debe limpiarse regularmente.



Control visual.



Debe utilizarse gafas protectoras o visor.



INDICE

Índice

ACLARACION DE LOS SIMBOLOS

Símbolos en la máquina: 2

Símbolos en el manual de instrucciones: 2

INDICE

Índice 3

¿QUE ES QUE?

Elementos de la amoladora 4

INSTRUCCIONES DE SEGURIDAD

Antes de utilizar una amoladora nueva 5

Equipo de protección personal 5

Instrucciones generales de seguridad 6

MONTAJE

Ajuste la empuñadura. 8

Cambio de los diamantes 8

Conexión de la aspiradora 9

Transporte 9

GUÍA PARA EL AMOLADO

Diamantes 10

Determinación de la dureza del hormigón 10

Selección de diamantes 11

Sentido de rotación del motor 13

ARRANQUE Y PARADA

Antes de arrancar 14

Arranque 14

Parada 14

MANTENIMIENTO

Fallos y localización de fallos 15

Mantenimiento 15

Servicio 15

DATOS TECNICOS

Datos técnicos 16

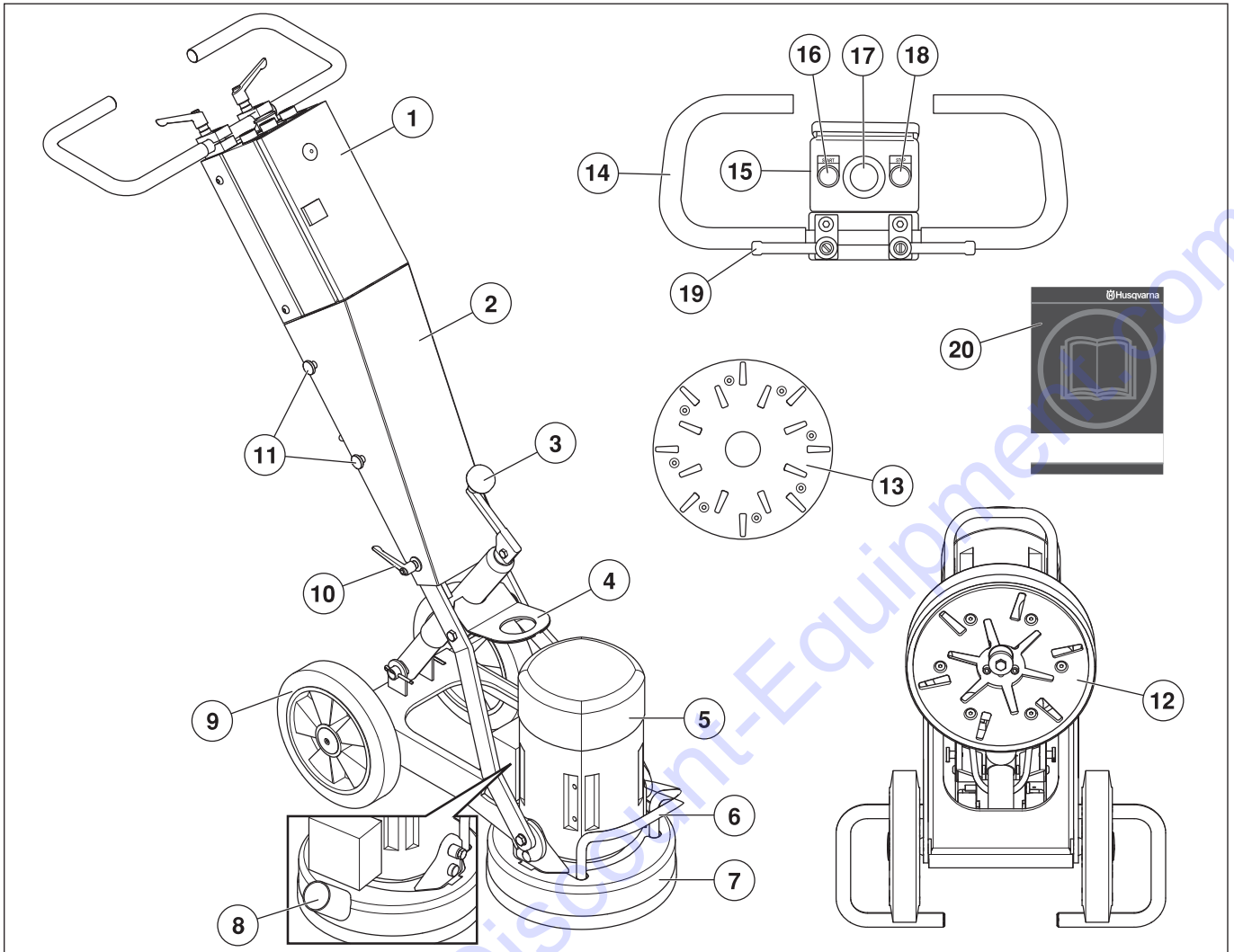
DECLARACIÓN DE GARANTÍA PARA EE. UU.

POLÍTICA DE GARANTÍA 17

EQUIPO 17

ESQUEMA DE CONEXIONES ELÉCRICAS

¿QUE ES QUE?



Elementos de la amoladora

- | | | | |
|----|---|----|--|
| 1 | Caja eléctrica | 11 | Tornillos de la cubierta |
| 2 | Cubierta | 12 | Unidad de amolado - PG 280 SF |
| 3 | Cigüeñal para ajustar la presión de amolado | 13 | Unidad de amolado - PG 400 SF |
| 4 | Cáncamo de elevación | 14 | Empuñadura / manillar |
| 5 | Motor eléctrico | 15 | Panel de control |
| 6 | Asa de levantar | 16 | Botón de arranque |
| 7 | Faldón | 17 | Parada de emergencia |
| 8 | Conexión para la aspiradora | 18 | Botón de parada |
| 9 | Conjunto de eje con ruedas | 19 | Manija de cierre para el ajuste del manillar |
| 10 | Manija de cierre de la cubierta | 20 | Manual de instrucciones (EPA) |

INSTRUCCIONES DE SEGURIDAD

Antes de utilizar una amoladora nueva

- Lea detenidamente el manual de instrucciones y asegúrese de entender su contenido antes de utilizar la máquina.
- Las amoladoras PG 400 SF y PG 280 SF están diseñadas para eliminar los residuos superficiales de cola / adhesivo, masilla y productos semejantes en suelos de hormigón, así como para amolar y alisar suelos de hormigón. SF significa un único disco de velocidad fija (single disc, fixed speed).
- La máquina puede ocasionar lesiones graves. Lea atentamente las instrucciones de seguridad. Aprenda a utilizar la máquina.
- Sólo deberá manejar la maquinaria aquel personal que haya recibido la formación necesaria, tanto práctica como teórica acerca de su uso.

Emplee siempre el sentido común

Es imposible abarcar todas las situaciones imaginables que se pueden producir al utilizar una taladradora. Proceder siempre con cuidado y emplear el sentido común. El usuario debe evitar usar la máquina en aplicaciones para las que no se considere suficientemente calificado. Si después de leer estas instrucciones todavía hay inseguridad en cuanto al procedimiento de uso, consultar con un experto antes de proseguir.

No dude en ponerse en contacto con su distribuidor si tiene preguntas acerca del uso de la máquina. Estaremos encantados de poder aconsejarle y ayudarle a utilizar la máquina de manera eficaz y segura.

Encargue al distribuidor de Husqvarna la revisión regular de la cortadora y los ajustes y reparaciones necesarios.

Toda la información y todos los datos contenidos en este manual de instrucciones son vigentes en la fecha de impresión del manual.



¡ATENCIÓN! No está permitido modificar el diseño original de la máquina, por ningún motivo, sin la autorización del fabricante. Utilice siempre accesorios originales. Las modificaciones y/o el uso de accesorios no autorizados comportan riesgo de daños personales graves y peligro de muerte para el usuario y otras personas.



¡ATENCIÓN! El uso de productos de corte, amolado, taladrado, lijado o formación de materiales puede generar polvo y vapores que pueden contener productos químicos perniciosos. Averigüe la índole del material de trabajo y utilice una máscara contra polvo o respiratoria adecuada.



¡ATENCIÓN! Parte del polvo creado en operaciones de pulido, corte, amolado, perforación y otros trabajos de construcción contiene sustancias químicas conocidas (en el Estado de California) por causar cáncer, defectos congénitos y otros daños reproductivos. Algunos ejemplos de estas sustancias químicas son:

El plomo de pinturas a base de plomo.

El sílice cristalino de ladrillos, cemento y otros productos de albañilería.

El arsénico y cromo de maderas tratadas químicamente.

Su riesgo personal derivado de la exposición a estas sustancias varía dependiendo de la frecuencia con la que realiza trabajos de este tipo. Para reducir su exposición a estas sustancias químicas: trabaje en una zona bien ventilada y utilice equipos de protección homologados, como las máscaras para polvo especialmente diseñadas para filtrar materiales microscópicos.

Equipo de protección personal



¡ATENCIÓN! Para trabajar con la máquina debe utilizarse un equipo de protección personal homologado. El equipo de protección personal no elimina el riesgo de lesiones, pero reduce su efecto en caso de accidente. Pida a su distribuidor que le asesore en la elección del equipo.

- Casco protector
- Protectores auriculares
- Gafas protectoras o visor
- Máscara respiratoria
- Guantes resistentes de agarre seguro.
- Prendas de vestir ceñidas, resistentes y cómodas que permitan una libertad de movimientos total.
- Botas con puntera de acero y suela antideslizante.
- Tenga siempre a mano el equipo de primeros auxilios.

INSTRUCCIONES DE SEGURIDAD

Instrucciones generales de seguridad



¡ATENCIÓN! Este apartado trata las normas de seguridad básicas para trabajar con el dispositivo. Esta información no sustituye en ningún caso los conocimientos y la experiencia de un profesional. Si se encuentra en alguna situación que le haga sentirse inseguro, deténgase y consulte con un experto. Consulte a su distribuidor, al taller de servicio técnico o a un usuario experimentado. No emplee la máquina en aplicaciones para las que no se considere plenamente cualificado.

- No utilice la máquina sin haber leído y comprendido el contenido de este manual de instrucciones.

Seguridad en el área de trabajo

- No usar en condiciones climáticas desfavorables. Por ejemplo, niebla densa, lluvia, viento fuerte, frío intenso, etc.
- Mantenga el área de trabajo limpia y bien iluminada. Las zonas abarrotadas de cosas u oscuras favorecen los accidentes.
- La máquina no se usará en áreas donde haya posibilidad de incendios o explosiones.

Seguridad eléctrica



¡ATENCIÓN! Existe siempre riesgo de sacudidas eléctricas al usar máquinas eléctricas. No usar la máquina en condiciones climáticas desfavorables y evitar el contacto del cuerpo con pararrayos y objetos metálicos. Seguir siempre las instrucciones del manual para evitar daños.

- No arrastre la máquina nunca por el cordón y no quite nunca el enchufe tirando del cordón.
- Mantenga todos los cables apartados del agua, el aceite y los bordes agudos. Proceda con cuidado para evitar que el cable se enganche en puertas, vallas o similares. Hay riesgo de cargar objetos con electricidad.
- Compruebe que los cables están intactos y en buen estado. Utilizar un cable de alargue para uso a la intemperie. Utilice el cable proporcionado para el uso externo.
- Si se daña un cable, no utilice la máquina. Llévela a reparar a un taller de servicio oficial.
- La máquina se debe enchufar a un enchufe con masa.
- Compruebe que la tensión de red concuerda con la que se indica en la placa de características de la máquina.
- Tenga cuidado con los choques eléctricos. Evite el contacto corporal con pararrayos o metales en el suelo.
- Un cable de alargue no debe usarse enrollado porque hay riesgo de sobrecalentamiento.
- Al emplear la máquina, hágalo con el cable detrás suyo para evitar dañarlo.

Seguridad personal



¡ATENCIÓN! La sobreexposición a las vibraciones puede provocar problemas circulatorios y dolencias de carácter nervioso, especialmente en personas con patologías circulatorias. Acuda a un médico si nota síntomas corporales que puedan relacionarse con la sobreexposición a las vibraciones. Son ejemplos de tales síntomas la pérdida de sensibilidad, el 'cosquilleo', las 'punzadas', el dolor, la pérdida o reducción de la fuerza normal o los cambios en el color y la superficie de la piel. Estos síntomas se presentan normalmente en dedos, manos y muñecas. Los síntomas pueden aumentar en temperaturas frías.

- Utilice el equipo de protección personal. Vea las instrucciones bajo el título "Equipo de protección personal".
- Nunca utilice la máquina si está cansado, si ha ingerido alcohol o si toma medicamentos que puedan afectar la vista, su capacidad de discernimiento o el control del cuerpo.
- Nunca deje que terceros utilicen la máquina sin asegurarse primero de que hayan entendido el contenido de este manual de instrucciones.
- Todos los operadores deben ser formados en el empleo de la máquina. El propietario es responsable de la formación de los operadores.
- Las personas y los animales pueden distraer y hacer perder el control de la máquina. Por consiguiente, el operador debe estar siempre concentrado en su trabajo.
- Tener en cuenta que las ropas, el pelo largo y las joyas pueden atascarse en piezas móviles.
- Mantenga bajo vigilancia la máquina siempre que el motor esté en marcha.
- Al trabajar con las máquinas, procure siempre que haya alguien cerca, que pueda prestar ayuda en caso de accidente.
- Cerciórese siempre de tener una posición de trabajo segura y firme.

INSTRUCCIONES DE SEGURIDAD

Uso y cuidado

- Utilice la máquina solamente para el uso al que está destinada.
- Mantener todas las piezas en perfecto estado y comprobar que todos los elementos de fijación estén bien apretados.
- No utilice nunca una máquina defectuosa. Siga las instrucciones de mantenimiento, control y servicio de este manual. Algunas medidas de mantenimiento y servicio deben ser efectuadas por especialistas formados y cualificados. Vea las instrucciones bajo el título Mantenimiento.
- No modificar nunca los dispositivos de seguridad. Comprobar regularmente que funcionan como es debido. La máquina no se debe operar con dispositivos de seguridad defectuosos o ausentes.
- No utilice nunca una máquina que haya sido modificada de modo que ya no coincida con la configuración original.
- La máquina sólo se deberá arrancar cuando los cabezales desbastadores estén descansando en el suelo, a no ser que se esté efectuando un procedimiento de prueba tal y como se indica en este manual.
- La máquina no deberá ponerse en marcha sin el faldón de goma para el polvo. Es fundamental que se establezca una buena hermeticidad entre la máquina y el suelo, sobre todo cuando se trabaje en una aplicación de desbastado en seco.
- Durante el amolado, la máquina debe estar conectada a una aspiradora que succione el polvo.
- Cuando se cambien los discos desbastadores, asegúrese de que está desconectada la toma de corriente de la unidad pulsando el botón de parada de emergencia y desenchufando el cable de alimentación.
- Después de cada operación de amolado / pulimentación, extraiga siempre los útiles de diamante.
- Asegúrese de que el reborde de goma está intacto y limpio y de que queda colocado herméticamente contra el suelo. Si el reborde de goma está dañado, reemplácelo inmediatamente.
- Cuando elimine cola, asfalto, pintura, etc., levante siempre la máquina y sepárela de la superficie después de utilizarla para que no se quede pegada al suelo debido al calor. Asegúrese de que el cabezal de amolado ha dejado de rotar antes de levantar la máquina.
- Los útiles de diamante pueden estar calientes después de utilizar la máquina. Deje que la máquina se enfríe antes de extraer los segmentos de diamante. Utilice guantes protectores.
- Utilice siempre la argolla de izada montada en la máquina para levantarla.
- Transporte siempre la máquina usando el mango de transporte y el manillar.

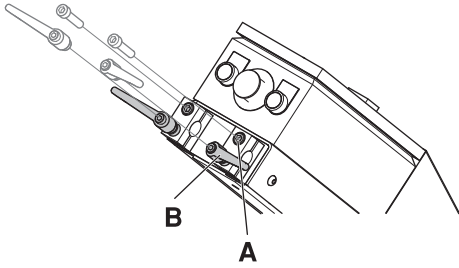
Transporte y almacenamiento

- La máquina se deberá transportar siempre cubierta, limitando su exposición a los elementos naturales, en particular a la lluvia y la nieve.
- Almacene la cortadora en lugar seguro fuera del alcance de los niños y personas no calificadas para su uso.
- La máquina deberá guardarse en un lugar seco, cuando no esté en uso.

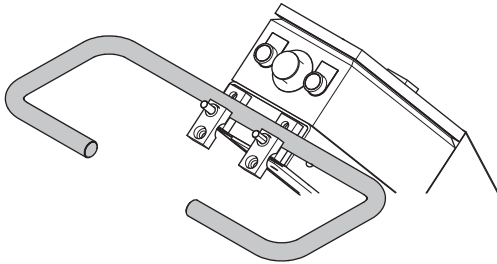
MONTAJE

Ajuste la empuñadura.

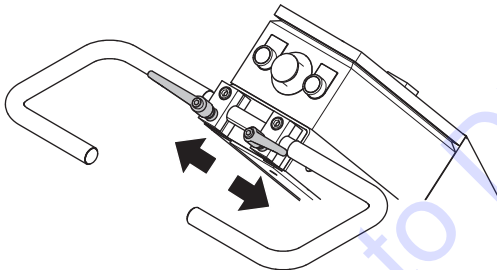
- Quite los tornillos (A).



- Retire las manijas de cierre (B).
- Coloque la empuñadura en el soporte para la empuñadura de la máquina.



- Monte los tornillos (A) y las manijas de cierre (B).
- Las manijas de cierre deberán estar situadas al lado del manillar para reducir el riesgo de deterioro de las mismas cuando la máquina esté en posición horizontal al cambiar las herramientas.



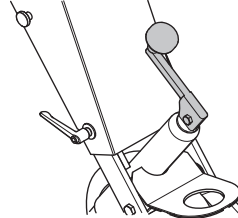
Cambio de los diamantes



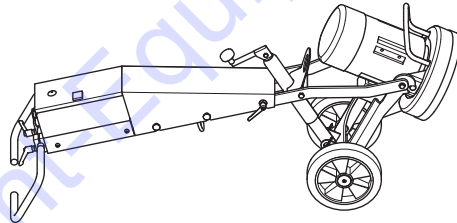
Apague la máquina y desconecte el enchufe.

Póngase unos guantes protectores, ya que los útiles de diamante pueden estar muy calientes.

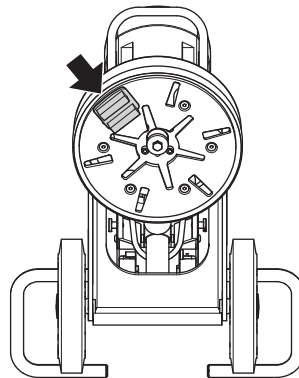
- Gire el manillar hasta que alcance la posición más alta.



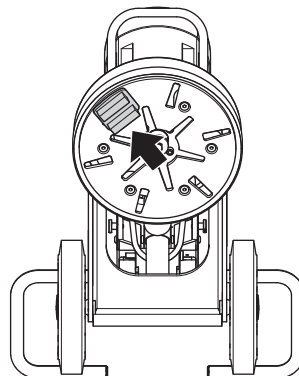
- Tire hacia atrás de la empuñadura para levantar el cabezal desbastador del suelo.
- Vuelva a poner la máquina en el suelo.



- Póngase los guantes.
- Utilice un martillo para retirar los segmentos de diamante.



- Fije los nuevos segmentos de diamante al disco amoladora.

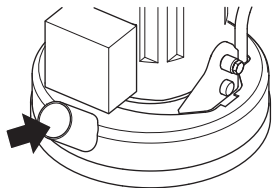


- Una vez que se hayan fijado los nuevos diamantes, lleve a cabo el procedimiento inverso para bajar la máquina al suelo.

MONTAJE

Conexión de la aspiradora

Conecte la aspiradora a la máquina. Utilice una manguera de 50 mm (2 pulgadas).

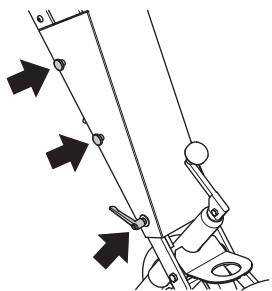


- Se recomienda vivamente usar el sistema de extracción de polvo Husqvarna DC 3300 para un control completo del polvo.
- Asegúrese de que los filtros de la aspiradora están intactos y limpios. Tenga cuidado con el polvo durante la utilización de la máquina.
- Ajuste el reborde de goma para que esté en contacto con el suelo y capte el polvo de forma eficaz.

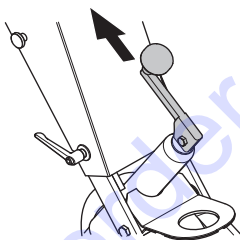
Transporte

La máquina puede plegarse para minimizar el espacio necesario para el transporte.

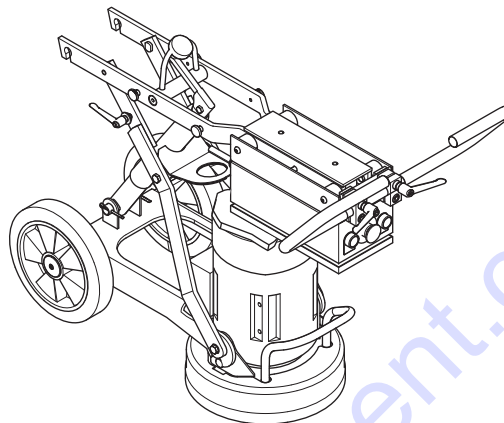
- Afloje los tornillos y la manija de cierre que mantienen la cubierta en su sitio.



- Quite la cubierta.
- Coloque el cigüeñal con la empuñadura orientada hacia arriba.



- Doble cuidadosamente la máquina hacia delante. Coloque un relleno entre el motor y la caja eléctrica para evitar dañar la máquina.



- La cubierta puede acoplarse a un lado de la máquina.

Diamantes

Antecedentes

Los abrasivos de diamantes suelen constar de dos componentes:

- Polvo de diamante (también conocido como cristales de diamante o arenilla). Al cambiar el grano del polvo de diamante o arenilla, podemos cambiar cómo van a ser de gruesos o finos los rasguños que se queden después del proceso de desbastado.
- Un aglutinante (metal o resina). El polvo de diamante se mezcla y se deja suspendido en un aglutinante de metal o resina. Cuando se deje suspendido en un aglutinante de metal, se llamará al producto final ligamento metálico o segmento de diamante sinterizado. Cuando esté suspendido en un aglutinante de resina, el producto final se denominará segmento de diamante de ligamento de resina o almohadilla. Al cambiar la dureza del aglutinante, podemos cambiar lo rápido o lento que se gastará el abrasivo de diamante.

Principios generales

Lo que sigue son reglas generales acerca de los segmentos de diamante en aplicaciones de desbastado. Como en todas las reglas generales, hay excepciones o casos en los que no es el caso.

Tamaño del polvo de diamante

El cambio de tamaño del polvo de diamante a una partícula/tamaño de polvo más pequeño afectará a las prestaciones de la herramienta de diamantes de las siguientes formas:

- Creará una pauta de rasguños más fina.
- Se aumentará la vida de la herramienta de diamantes.

Ocurrirá lo contrario si se cambia a una partícula/tamaño de polvo más grande.

Aglutinante

Al aumentar la dureza del ligamento:

- Creará una pauta de rasguños más fina.
- Se aumentará la vida de la herramienta de diamantes.
- Decrecerá la tasa de producción.

Ocurrirá lo contrario cuando se haga un ligamento metálico o de resina más suave).

Número de segmentos de diamante/almohadillas

Si se aumenta el número de segmentos debajo de la máquina:

- Se reducirá la presión en cada segmento de diamantes individual. – Se reducirá el ritmo de desgaste en los segmentos de diamantes.
- Se reducirá la carga sobre la máquina y provocará que la desbastadora absorba menos corriente.
- Creará una pauta de rasguños más suave (sobre todo en suelos blandos).

Ocurrirá lo contrario cuando se reduzca el número de segmentos debajo de la máquina.

Resumen de principios del diamante

Los segmentos de diamantes necesitan desgastarse para lograr productividad. El desgaste del segmento de diamantes puede depender de los siguientes factores:

- Presión.
- Dureza del ligamento.
- Tamaño del polvo de diamante.
- Número de segmentos debajo de la máquina.
- Si se añade un abrasivo adicional (p.ej. arena, carburo de silicona) en el suelo se aumentará el desgaste.

En general, cuanto más deprisa se desgaste un segmento de diamantes, mayor será la productividad. Al variar los citados factores, también se podrán hacer cambios para influir sobre lo siguiente:

- Pauta de rasguños.
- Absorción de corriente de la máquina.
- Grado de allanado del suelo (véase sección siguiente).
- Facilidad de manejo.

Determinación de la dureza del hormigón

Todo hormigón se mide por su resistencia a la compresión y, dependiendo de qué zona del mundo sea cada uno, se medirá por diferentes índices de resistencia a la compresión (p.ej. P_{Si} y MPa). En general, cuanto mayor sea el grado de resistencia a la compresión, más duro será el hormigón y, por lo tanto, más difícil será de desbastar.

Sin embargo, además del grado de resistencia a la compresión hay otros factores que determinan cómo es de duro un suelo y, por lo tanto, la selección correcta de diamantes. Como el desbastado normalmente sólo se aplica a la superficie de hormigón (parte superior 5mm o 1/4 pulgada), a menudo la manera en la que se ha acabado el suelo de hormigón o el estado de la superficie tendrá un mayor peso sobre qué tipo de diamante seleccionar que el grado de resistencia a la compresión del hormigón.

Factores de la superficie a considerar al seleccionar un diamante

En general, si una superficie de hormigón es muy suave (es decir, probablemente se haya allanado/pulido enormemente), el hormigón se comportará como si tuviera una elevada resistencia a la compresión y, por tanto, necesita un segmento de ligamento blando.

Conforme a ello, si una superficie es basta/agresiva (p.ej. dañada por la lluvia, rota por disparos, escarifi - cada, conglomerado expuesto, etc.), el hormigón se comportará como si tuviera una baja resistencia a la compresión y, por tanto, necesita un segmento de ligamento duro.

Los revestimientos/contaminantes de la superficie (p.ej. revestimientos epoxi, adhesivos de baldosas de cerámica, nivelación de compuestos/capas de mortero) tendrán a menudo un mayor peso en la selección del diamante que la resistencia a la compresión del hormigón.

Por regla general, cuando se desbaste un bloque de hormigón por primera vez y no esté seguro de su dureza, empiece siempre con diamantes de ligamento más duro debajo de la máquina. Esto garantizará la menor cantidad de desgaste de los segmentos de diamantes. Si un segmento de diamantes duros no es adecuado para la aplicación, todo lo que habrá supuesto habrá sido un poco de tiempo, sin desgastar los diamantes.

Si se hace de la forma contraria (es decir, se usa un segmento blando para empezar) y el hormigón es blando o posee una superficie abrasiva o un contaminante de superficie, es muy posible que desgaste una cantidad considerable de diamante en un período muy corto de tiempo.

GUÍA PARA EL AMOLADO

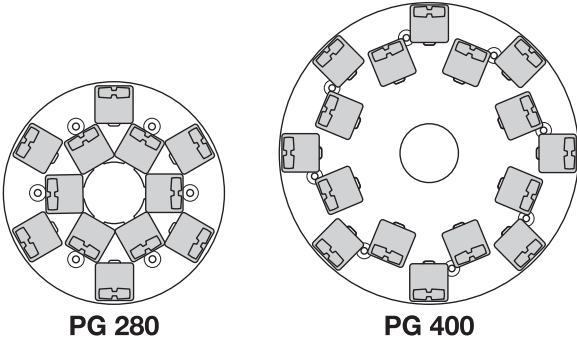
Selección de diamantes

La forma en la que los segmentos de diamante están configurados en la unidad de amolado influirá enormemente en el rendimiento de la máquina y los niveles de productividad, así como en la calidad del acabado del suelo.

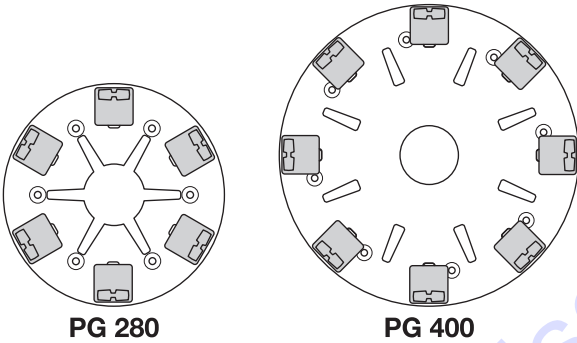
Existen diferentes configuraciones de diamante posibles con los modelos PG 400 SF y PG 280 SF.

Discos diamantados con ligante de metal

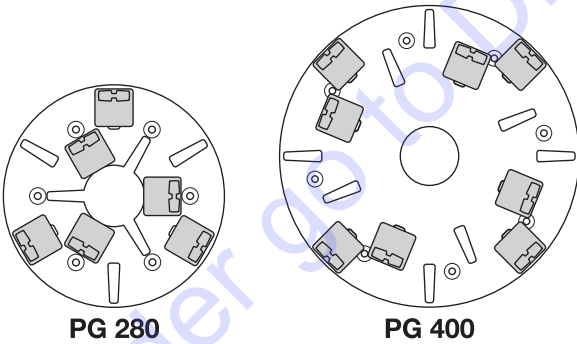
Juego completo: fila interior y exterior



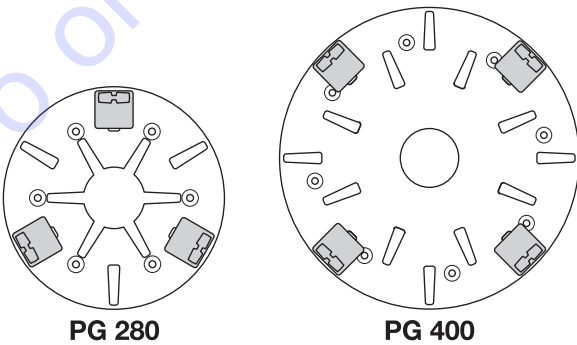
Juego completo: fila exterior



Medio juego: fila interior y exterior



Medio juego: fila exterior



GUÍA PARA EL AMOLADO

Seleccione los discos diamantados con ligante de metal adecuados para la aplicación concreta.

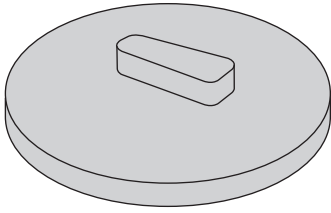
A continuación, le ofrecemos algunas sugerencias para las configuraciones básicas de los discos diamantados con ligante de metal.

Campo de aplicación	Ligamento metálico	Tamaño de polvo	Juego completo: fila interior y exterior	Juego completo: fila exterior	Medio juego: fila interior y exterior	Medio juego: fila exterior
Allanamiento suelo – Hormigón duro	Blando	16 o 30	X			
Allanamiento suelo – Hormigón medio	Medio	16 o 30	X			
Allanamiento suelo – Hormigón blando	Duro	16 o 30	X			
Extracción de adhesivo de baldosa de cerámica	Medio	PIRANHA™ o 16-30	X			
Extracción de pegamento de moqueta o vinilo – Hormigón duro	Blando	PIRANHA™ o 16-30			X	X
Extracción de pegamento de moqueta o vinilo – Hormigón medio	Medio	PIRANHA™ o 16-30			X	X
Extracción de pegamento de moqueta o vinilo – Hormigón blando	Duro	PIRANHA™ o 16-30			X	X
Extracción de pintura epoxi – Hormigón duro	Blando	PIRANHA™ o 16-30		X	X	
Extracción de pintura epoxi – Hormigón medio	Medio	PIRANHA™ o 16-30		X		
Extracción de pintura epoxi – Hormigón blando	Duro	PIRANHA™ o 16-30		X		
Hormigón dañado por la lluvia	Duro	16-30	X		X	
Alisado conglomerado expuesto	Duro	16-30	X		X	
Extracción de irregularidades en baldosas de terrazo / piedra	Blando	30 o 60	X			
Pulido de superficie de suelos de hormigón – Hormigón duro	Blando	60			X	X
Pulido de superficie de suelos de hormigón – Hormigón medio	Medio	60			X	X
Pulido de superficie de suelos de hormigón – Hormigón blando	Duro	60			X	X
Desbastado de conglomerado expuesto en hormigón – Hormigón duro	Blando	16-30	X	X	X	
Desbastado de conglomerado expuesto en hormigón – Hormigón medio	Medio	16-30	X	X	X	
Desbastado de conglomerado expuesto en hormigón – Hormigón blando	Duro	16-30	X		X	
Allanamiento de ondulación en suelos de hormigón – Hormigón duro	Blando	16 o 30	X	X	X	
Allanamiento de ondulación en suelos de hormigón – Hormigón medio	Medio	16 o 30	X		X	
Allanamiento de ondulación en suelos de hormigón – Hormigón blando	Duro	16 o 30	X		X	

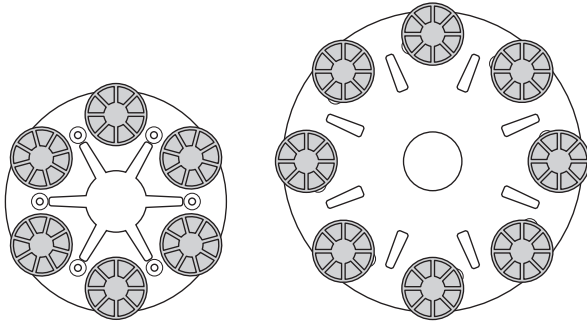
GUÍA PARA EL AMOLADO

Discos diamantados con ligante de resina

Adaptador para la adherencia con resina Redi Lock



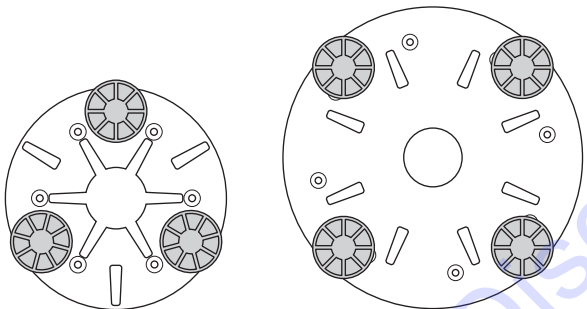
Juego completo: fila exterior



PG 280

PG 400

Medio juego: fila exterior



PG 280

PG 400

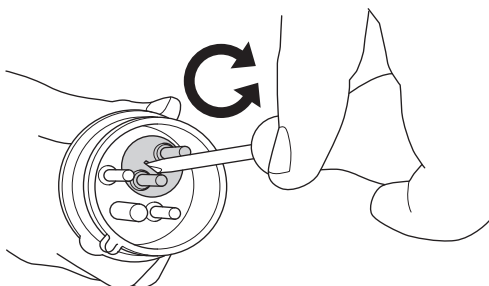
Seleccione la configuración de disco diamantado con ligante de resina adecuada para la aplicación concreta.

Campo de aplicación	Juego completo: fila exterior	Medio juego: fila exterior
Pulimentación de baldosas de terrazo / piedra	X	
Repavimentación de baldosas de terrazo / piedra		X
Pulido de superficie de suelos de hormigón – Hormigón duro		X
Pulido de superficie de suelos de hormigón – Hormigón medio		X
Pulido de superficie de suelos de hormigón – Hormigón blando		X

Sentido de rotación del motor (Trifásica)

Podrá modificarse el sentido de rotación del motor invirtiendo los polos del enchufe.

¡ATENCIÓN! Las herramientas Piranha / PCD están diseñadas para funcionar en una única dirección.

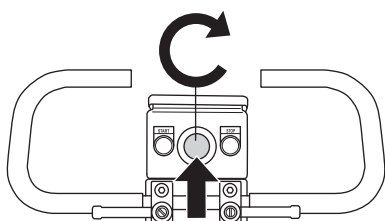


ARRANQUE Y PARADA

Antes de arrancar



- Coloque la desbastadora en la zona de trabajo.
- Asegúrese de que hay diamantes en la parte inferior de la máquina y de que están firmemente ajustados.
- Conecte la aspiradora a la máquina.
- Utilice manijas de cierre para el ajuste del manillar haciendo así más cómoda la altura de trabajo.
- Enchufe la toma de corriente a la máquina.
- Compruebe que el botón de parada de emergencia no está pulsado girándolo en el sentido de las agujas del reloj.

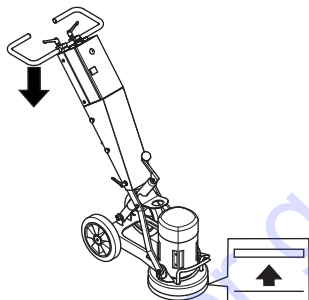


- Compruebe el sentido de rotación del motor.

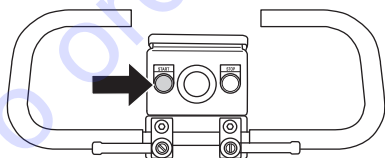
Arranque



- Reduzca la presión entre el disco de amolado y el suelo empujando hacia abajo la empuñadura sin levantar la unidad de amolado del suelo.



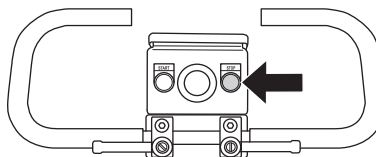
- Mantenga pulsado el botón de arranque durante unos segundos para arrancar la máquina.



Parada



- Utilice el botón de parada para apagar la máquina.



- Mantenga los segmentos de amolado en contacto con el suelo al parar la máquina. Ello ayudará a que la máquina se pare completamente de forma rápida. No levante el cabezal de amolado del suelo al parar la máquina, ya que puede crear una cantidad considerable de polvo en el aire.

MANTENIMIENTO

Fallos y localización de fallos

La máquina no funciona

- Compruebe el suministro eléctrico y los cables de alimentación para asegurarse de que no están dañados.
- Compruebe que el botón de parada de emergencia no está pulsado girándolo en el sentido de las agujas del reloj.

Es difícil sujetar la máquina

- No hay suficientes diamantes debajo de la máquina (si hay una capa espesa de cola de desbastado o suelos blandos, una cantidad insuficiente de diamantes debajo de la máquina incrementará enormemente la carga sobre la desbastadora y el operador). Esto suele ir acompañado de un alto consumo de corriente por parte del motor.

Aumente el número de diamantes debajo de la máquina para reducir la carga sobre la desbastadora y el operador.

La máquina está dando saltos

- Las almohadillas amortiguadoras de caucho de la unidad de amolado pueden desgastarse o deteriorarse. Compruebe su estado y cámbielas si es necesario.
- Los diamantes pueden estar instalados incorrectamente o a diferentes alturas. Compruebe y asegúrese de que todos los diamantes están ajustados correctamente y son de la misma altura.

La máquina se detiene después de funcionar brevemente

- La máquina está sobrecargada y se ha activado la protección contra sobrecarga. Reduzca la carga. La máquina se reactivará después de aproximadamente un minuto cuando el motor se haya enfriado.

La máquina se detiene al arrancar

- El motor eléctrico está sobrecargado o falta una fase. Deje que la máquina se reinicie durante uno o dos minutos e inténtelo de nuevo. Si esto no ayuda, acuda a un taller de servicio oficial.

Mantenimiento



¡IMPORTANTE! El control y/o mantenimiento de la máquina debe hacerse con el motor parado y el enchufe desenchufado.

Usada correctamente, la máquina tiene un mantenimiento extremadamente bajo y gran fiabilidad.

Limpieza



Desenchufe siempre el enchufe antes de efectuar trabajos de limpieza, mantenimiento o montaje de la máquina.

Limpiar siempre todo el equipo después de cada turno de trabajo. No utilice un equipo de limpieza a alta presión para limpiar la máquina.

Para que la máquina tenga siempre una buena refrigeración, las aberturas de paso del aire refrigerante deben mantenerse libres y limpias.

Almohadillas amortiguadoras de caucho.

Verifique las almohadillas amortiguadoras de caucho todos los meses. Cámbielas si es necesario.

Suministro eléctrico



¡ATENCIÓN! No usar nunca cables dañados, puesto que pueden causar daños personales graves e incluso mortales.

Compruebe que el cable y el cable de empalme está intacto.

Si se daña el cable, no utilice la máquina. Llévela a un taller de servicio oficial para reparar.

Faldón

Asegúrese de que el reborde de goma está intacto y limpio y de que queda colocado herméticamente contra el suelo. Si el reborde de goma está dañado, reemplácelo inmediatamente.

Servicio



¡IMPORTANTE! Las reparaciones de todo tipo deben ser efectuadas por técnicos autorizados, únicamente. De este modo se evita someter a los operadores a grandes riesgos.

DATOS TECNICOS

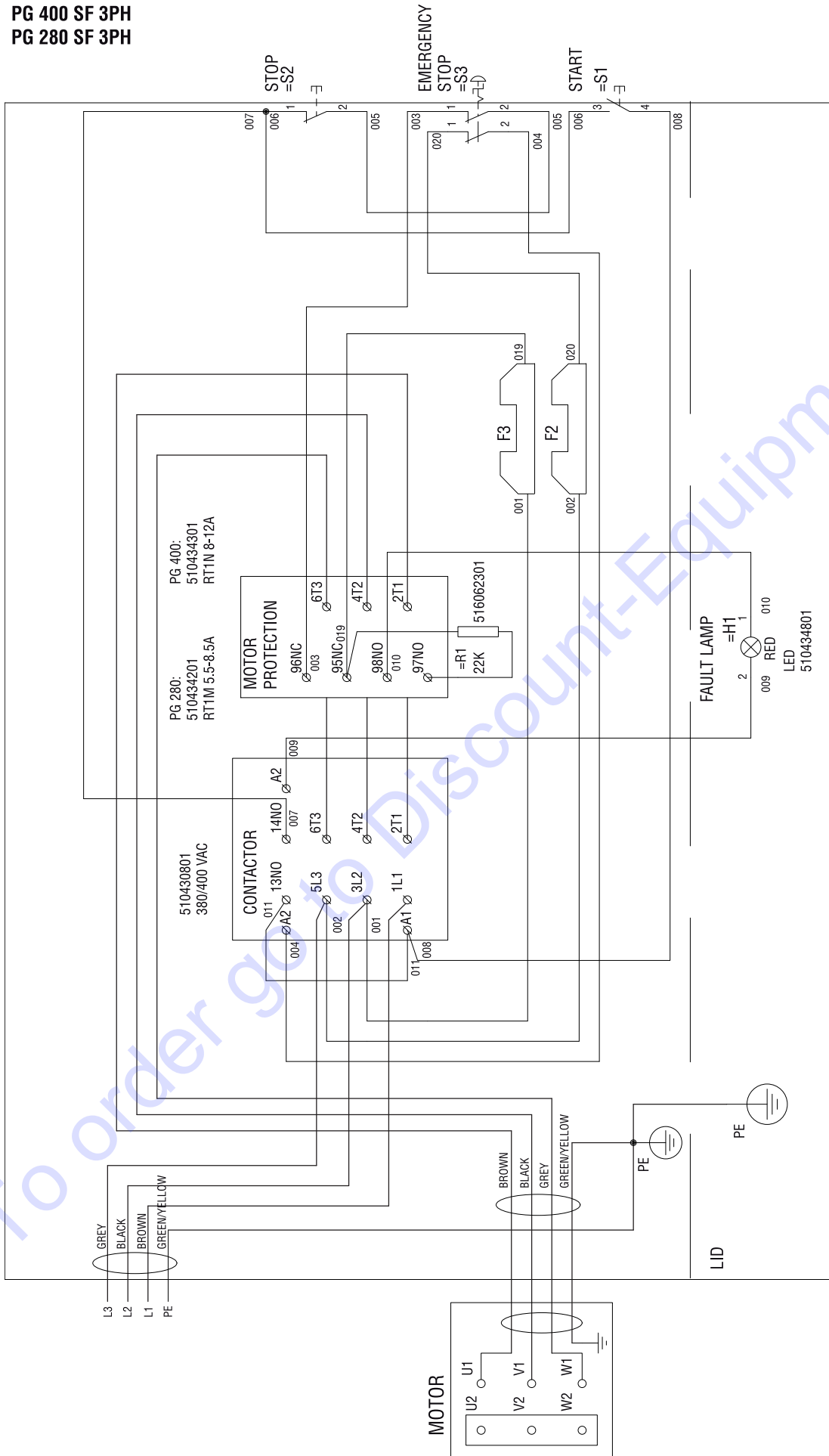
Datos técnicos

	PG 400 SF	PG 280 SF	PG 280 SF (Monofásico)
Potencia del motor, kW/CV	4/5,4	3/4	2,2/3,0
Amperaje nominal, A	16	16	12,9
Tensión nominal, V	400	400	230
Peso, kg/lbs	115/254	70/154	70/154
Anchura de desbastado, mm/pulgadas	400/16	280/11	280/11
Presión de desbastado, kg/lbs	65/143	35/77	35/77
Velocidad, r/min	1400	2800	1400

To order go to Discount-Equipment.com

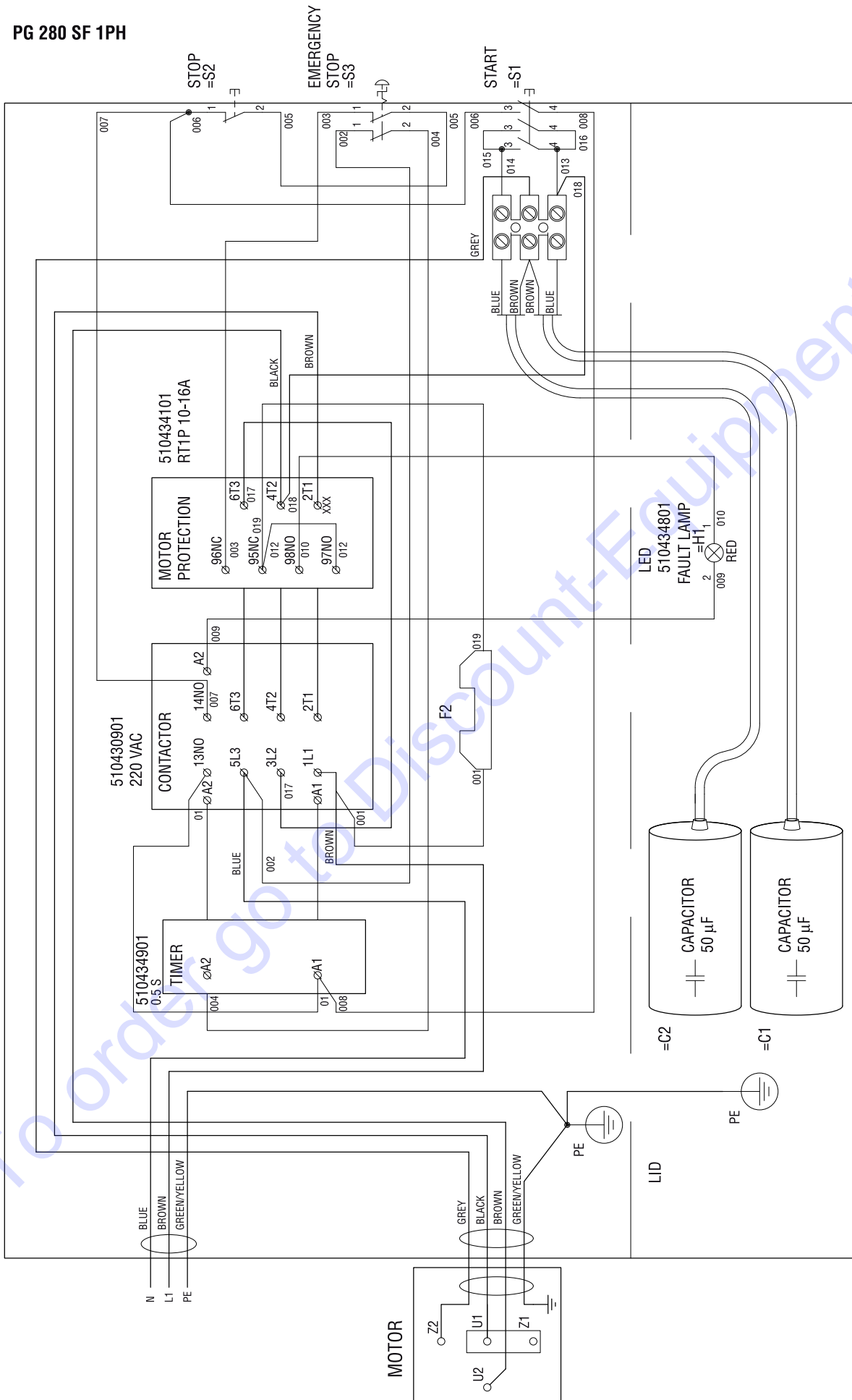
ESQUEMA DE CONEXIONES ELÉCTRICAS

PG 400 SF 3PH
PG 280 SF 3PH



ESQUEMA DE CONEXIONES ELÉCTRICAS

PG 280 SF 1PH



GB - Original instructions, **FR** - Instructions d'origine, **ES** - Instrucciones originales

 **Husqvarna**[®]

1153429-95

2010-01-26



TO PURCHASE THIS PRODUCT PLEASE CONTACT US



**Equipment Financing and
Extended Warranties Available**



**Discount-Equipment.com is your online resource for
commercial and industrial quality parts and equipment sales.**

561-964-4949

visit us on line @ www.discount-equipment.com

Select an option below to find your Equipment

Search by Manufacturer

Search by Product Type

Request a Quote

We sell worldwide for the brands: Genie, Terex, JLG, MultiQuip, Mikasa, Essick, Whiteman, Mayco, Toro Stone, Diamond Products, Generac Magnum, Airman, Haulotte, Barreto, Power Blanket, Nifty Lift, Atlas Copco, Chicago Pneumatic, Allmand, Miller Curber, Skyjack, Lull, Skytrak, Tsurumi, Husquvarna Target, Stow, Wacker, Sakai, Mi-T-M, Sullair, Basic, Dynapac, MBW, Weber, Bartell, Bennar Newman, Haulotte, Ditch Runner, Menegotti, Morrison, Contec, Buddy, Crown, Edco, Wyco, Bomag, Laymor, EZ Trench, Bil-Jax, F.S. Curtis, Gehl Pavers, Heli, Honda, ICS/PowerGrit, IHI, Partner, Imer, Clipper, MMD, Koshin, Rice, CH&E, General Equipment, Amida, Coleman, NAC, Gradall, Square Shooter, Kent, Stanley, Tamco, Toku, Hatz, Kohler, Robin, Wisconsin, Northrock, Oztec, Toker TK, Rol-Air, APT, Wylie, Ingersoll Rand / Doosan, Innovatech, Con X, Ammann, Mecalac, Makinex, Smith Surface Prep, Small Line, Wanco, Yanmar