



SPARE PARTS LIST

SURFACE PREPARATION EQUIPMENT

PG 280, From serial number 148 to 2010:
17 00010, 2009-07

Go to Discount-Equipment.com to order your parts



PARTS FINDER

**Search Website
by Part Number**



**Search Manual
Library For Parts
Manual & Lookup Part
Numbers – Purchase
or Request Quote**

Search Manuals

Enter your information to help us find the right parts manual for your machine.

* Brand:

* Model:

* Serial:

* Part Number:

SEARCH

**Can't Find Part or
Manual? Request Help
by Manufacturer,
Model & Description**

Parts Order Form

Please fill in the following information to help us find the right part for your machine.

Manufacturer:	<input type="text"/>
Model:	<input type="text"/>
Description:	<input type="text"/>
Part Number:	<input type="text"/>
Quantity:	<input type="text"/>
Notes:	<input type="text"/>

Discount-Equipment.com is your online resource for quality parts & equipment.

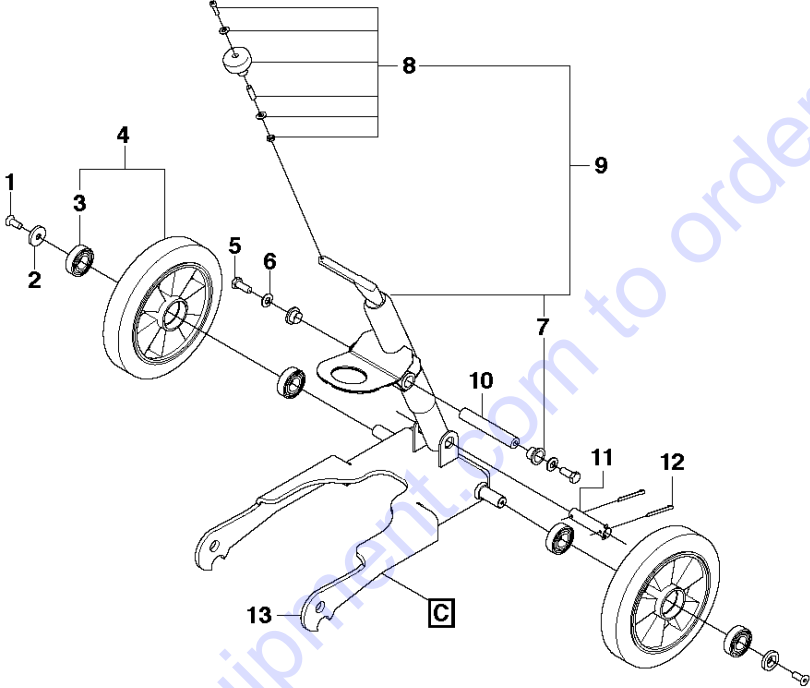
Florida: **561-964-4949** Outside Florida TOLL FREE: **877-690-3101**

Need parts?

Click on this link: <http://www.discount-equipment.com/category/5443-parts/> and choose one of the options to help get the right parts and equipment you are looking for. Please have the machine model and serial number available in order to help us get you the correct parts. If you don't find the part on the website or on one of the online manuals, please fill out the request form and one of our experienced staff members will get back to you with a quote for the right part that your machine needs.

We sell worldwide for the brands: Genie, Terex, JLG, MultiQuip, Mikasa, Essick, Whiteman, Mayco, Toro Stone, Diamond Products, Generac Magnum, Airman, Haulotte, Barreto, Power Blanket, Nifty Lift, Atlas Copco, Chicago Pneumatic, Allmand, Miller Curber, Skyjack, Lull, Skytrak, Tsurumi, Husquvarna Target, Stow, Wacker, Sakai, Mi-T-M, Sullair, Basic, Dynapac, MBW, Weber, Bartell, Bennar Newman, Haulotte, Ditch Runner, Menegotti, Morrison, Contec, Buddy, Crown, Edco, Wyco, Bomag, Laymor, EZ Trench, Bil-Jax, F.S. Curtis, Gehl Pavers, Heli, Honda, ICS/PowerGrit, IHI, Partner, Imer, Clipper, MMD, Koshin, Rice, CH&E, General Equipment, Amida, Coleman, NAC, Gradall, Square Shooter, Kent, Stanley, Tamco, Toku, Hatz, Kohler, Robin, Wisconsin, Northrock, Oztec, Toker TK, Rol-Air, APT, Wylie, Ingersoll Rand / Doosan, Innovatech, Con X, Ammann, Mecalac, Makinex, Smith Surface Prep, Small Line, Wanco, Yanmar

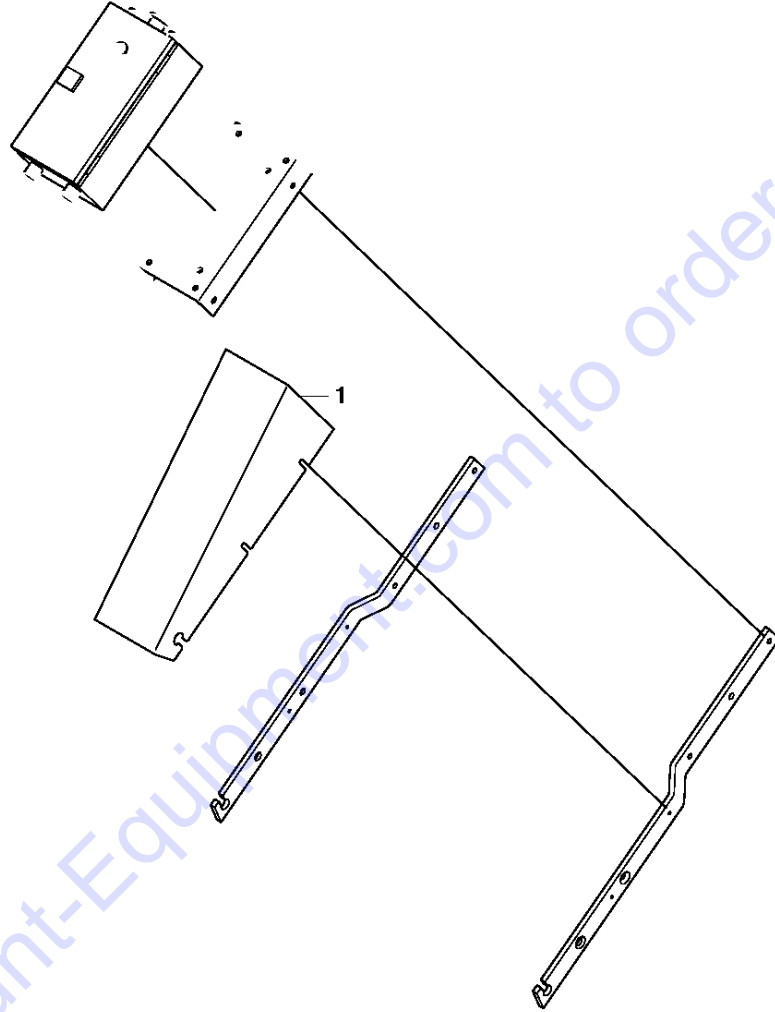
B



Ref	Part No	Description	Remark	QTY	KIT
1	725 53 68-51	SCREW IHSCM		2	
2	725 24 93-76	SCREW EHHM		2	
3	574 70 32-01	ADJUSTMENT SCREW		4	4
4	504 18 55-01	WHEEL		2	
5	725 64 93-76	SCREW EHHM		2	
6	734 11 72-01	WASHER		2	
7	510 21 75-01	BUSHING		2	9
8	574 56 89-01	KIT		1	9
9	510 21 68-01	ADJUSTMENT SCREW		1	
10	510 21 77-01	SHAFT PIVOT		1	
11	510 21 57-01	LOCKING PIN		1	
12	721 62 16-01	SPLIT PIN		2	
13	574 56 69-01	CHASSIS		1	

Go to Discount-Equipment.com to order your parts

D

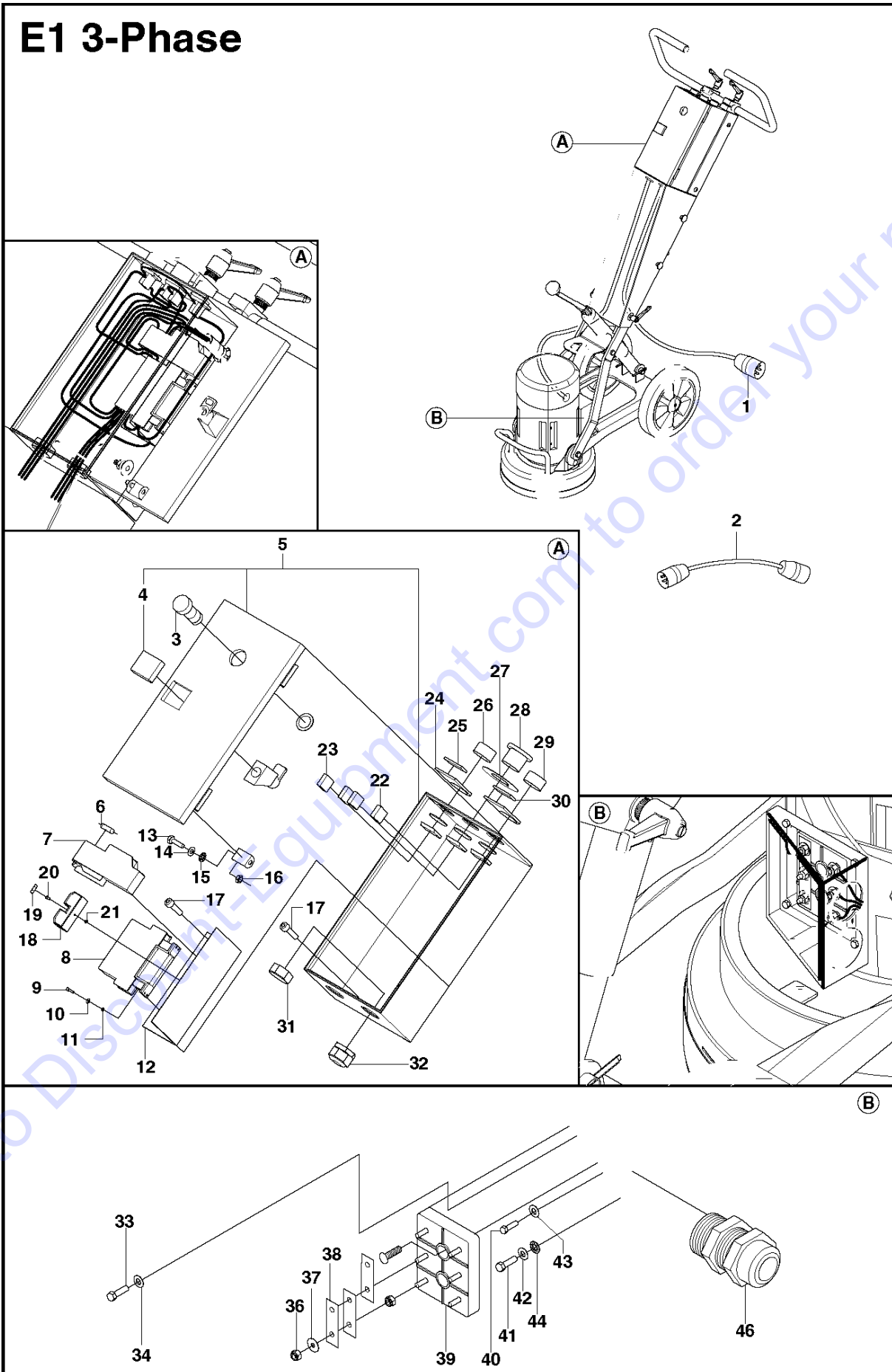


Go to Discount-Equipment.com to order your parts

Ref	Part No	Description	Remark	QTY KIT
1	510 22 81-01	DUST COVER		1

Go to Discount-Equipment.com to order your parts

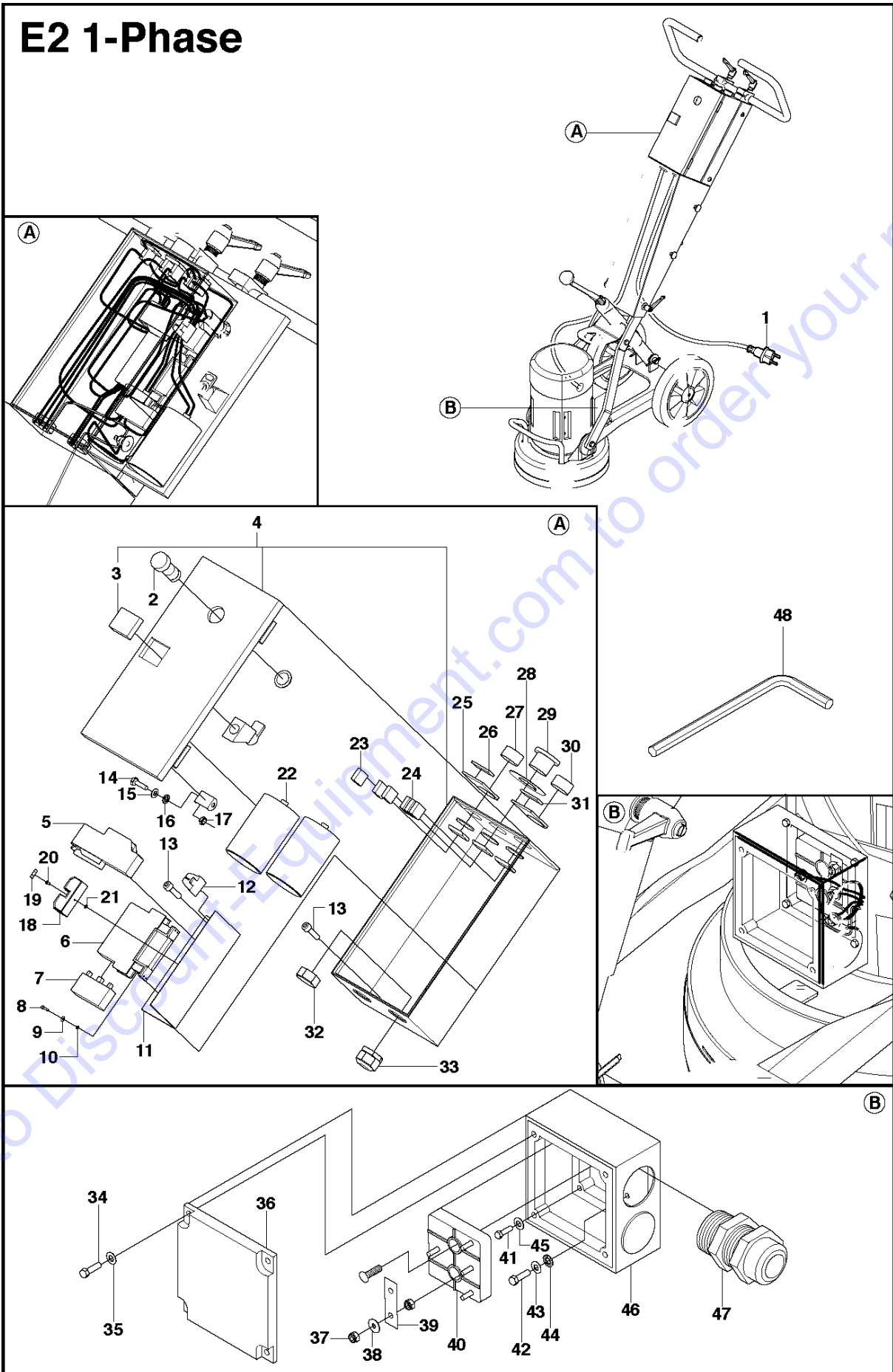
E1 3-Phase



Ref	Part No	Description	Remark	QTY	KIT
1	529 31 61-01	CABLE		1	
2	574 52 41-01	CABLE ASSY		1	
3	510 43 48-01	LED		1	
4	516 06 21-01	LOCK		1	5
5	525 63 82-01	ELECTRIC BOX		1	
6	516 06 23-01	RESISTOR		1	
7	510 43 42-01	OVERLOAD PROTECTION		1	
8	510 43 08-01	CONTACTOR		1	
9	725 52 93-01	SCREW IHSCM		4	
10	734 11 36-01	WASHER		4	
11	732 25 12-01	HEXAGON LOCKING NUT		4	
12	516 06 24-01	SHEET		1	
13	725 23 64-71	SCREW EHHM		1	
14	734 11 52-01	WASHER		2	
15	735 21 53-01	LOCKWASHER		2	
16	731 23 16-01	HEXAGON NUT		2	
17	725 53 64-55	SCREW IHSCM		6	
18	525 88 26-01	FUSE HOLDER		1	
19	525 63 81-01	FUSE		2	
20	725 53 25-01	SCREW IHSCM		1	
21	732 25 14-01	HEXAGON LOCKING NUT		1	
22	510 43 15-01	CONTACT PLATE		1	
23	510 43 14-01	CONTACT PLATE		3	
24	510 43 30-01	HOLDER		2	
25	510 43 31-01	SIGN		1	
26	510 43 11-01	PUSH BUTTON		1	
27	510 43 16-01	SIGN		1	
28	510 43 13-01	PUSH BUTTON		1	
29	510 43 12-01	PUSH BUTTON		1	
30	510 43 32-01	SIGN		1	
31	510 43 18-01	NUT		2	
32	510 43 17-01	CABLE GROMMET		2	
33	725 23 37-71	SCREW EHHM		2	
34	516 06 29-01	LOCKWASHER		2	
36	731 23 14-01	HEXAGON NUT		12	
37	734 11 36-01	WASHER		6	
38	516 06 31-01	CONNECTION PLATE		3	
39	516 06 33-01	TERMINAL BLOCK		1	
40	725 23 29-71	SCREW EHHM		4	
41	725 23 66-71	SCREW EHHM		1	
42	734 11 52-01	WASHER		1	
43	516 06 29-01	LOCKWASHER		4	
44	735 21 53-01	LOCKWASHER		1	
46	521 88 50-01	CABLE GROMMET		1	

Go to DiscountedComponent.com to order your parts

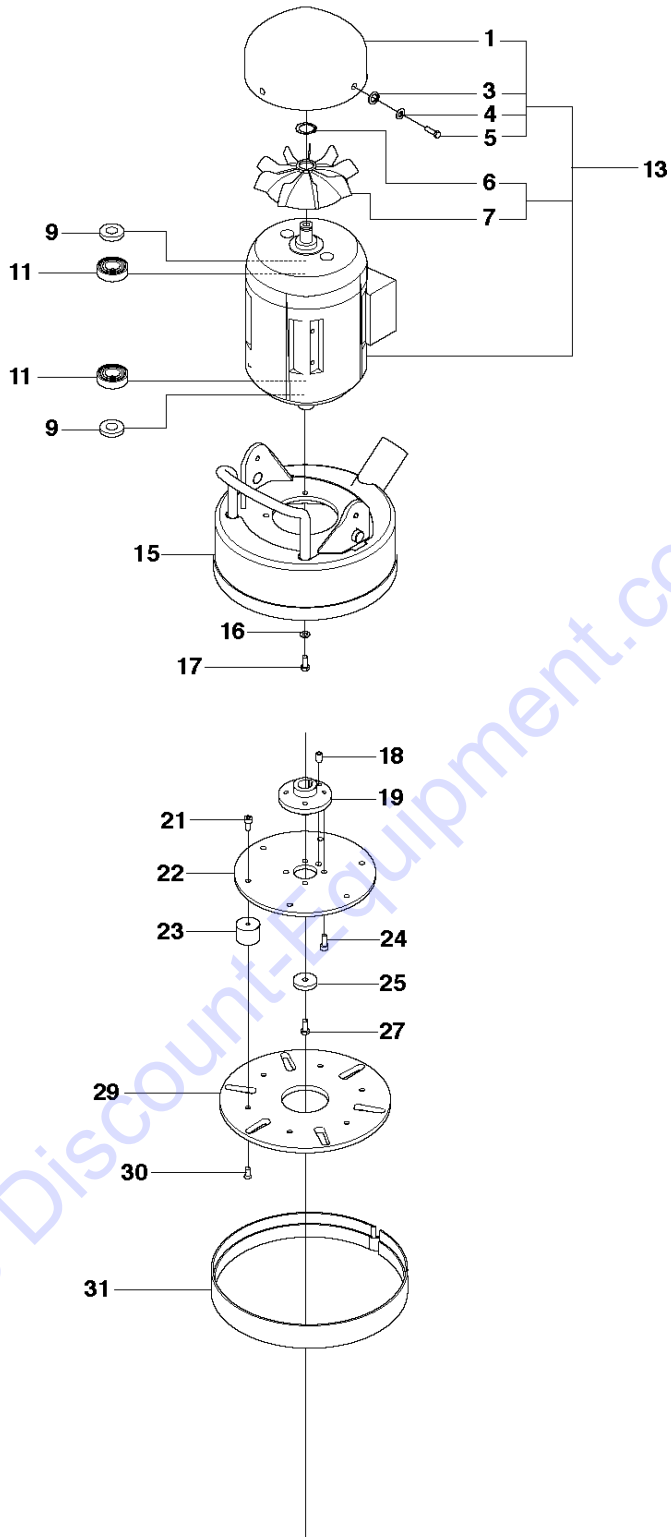
E2 1-Phase



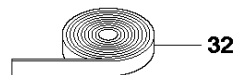
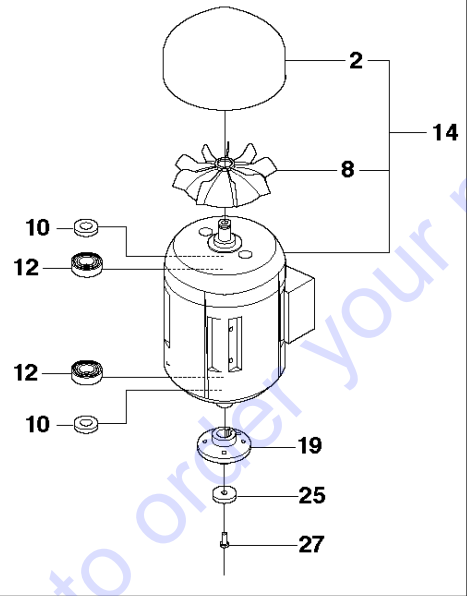
Ref	Part No	Description	Remark	QTY KIT
1	525 84 19-01	CABLE		1
1	525 84 19-02	CABLE		1
1	525 84 19-03	CABLE		1
2	510 43 48-01	LED		1
3	516 06 21-01	LOCK		1 4
4	525 63 82-02	ELECTRIC BOX		1
5	510 43 41-01	OVERLOAD PROTECTION		1
6	510 43 09-01	CONTACTOR		1
7	510 43 49-01	TIMER		1
8	725 52 93-01	SCREW IHSCM		4
9	734 11 36-01	WASHER		4
10	732 25 12-01	HEXAGON LOCKING NUT		4
11	516 06 24-01	SHEET		1
12	510 43 34-01	TERMINAL BLOCK		1
13	725 53 64-55	SCREW IHSCM		6
14	725 23 64-71	SCREW EHHM		1
15	734 11 52-01	WASHER		2
16	735 21 53-01	LOCKWASHER		2
17	731 23 16-01	HEXAGON NUT		2
18	525 63 80-01	FUSE HOLDER		1
19	525 63 81-01	FUSE		1
20	725 53 25-01	SCREW IHSCM		1
21	732 25 14-01	HEXAGON LOCKING NUT		1
22	510 43 33-01	CAPACITOR		2
23	510 43 14-01	CONTACT PLATE		3
24	510 43 15-01	CONTACT PLATE		3
25	510 43 30-01	HOLDER		2
26	510 43 31-01	SIGN		1
27	510 43 11-01	PUSH BUTTON		1
28	510 43 16-01	SIGN		1
29	510 43 13-01	PUSH BUTTON		1
30	510 43 12-01	PUSH BUTTON		1
31	510 43 32-01	SIGN		1
32	510 43 18-01	NUT		2
33	510 43 17-01	CABLE GROMMET		2
34	521 88 80-01	SCREW		4
35	734 11 36-01	WASHER		4
36	521 88 81-01	LID		1
37	731 23 12-01	HEXAGON NUT		8
38	734 11 36-01	WASHER		4
39	521 88 82-01	CONNECTION		1
40	521 88 83-01	TERMINAL BLOCK		1
41	724 12 91-51	SCREW CRPANM		4
42	521 88 84-01	LOCKWASHER		4
43	724 12 87-51	SCREW		1
44	734 11 36-01	WASHER		1
45	735 21 36-01	LOCKWASHER		1
46	521 88 85-01	ELECTRIC BOX		1
47	521 88 86-01	CABLE GROMMET		1
48	531 11 95-36	INBUSSCHLUESSEL 8MM		1

Go to Dispositif.com to order your parts

A 3-Phase



Single Phase

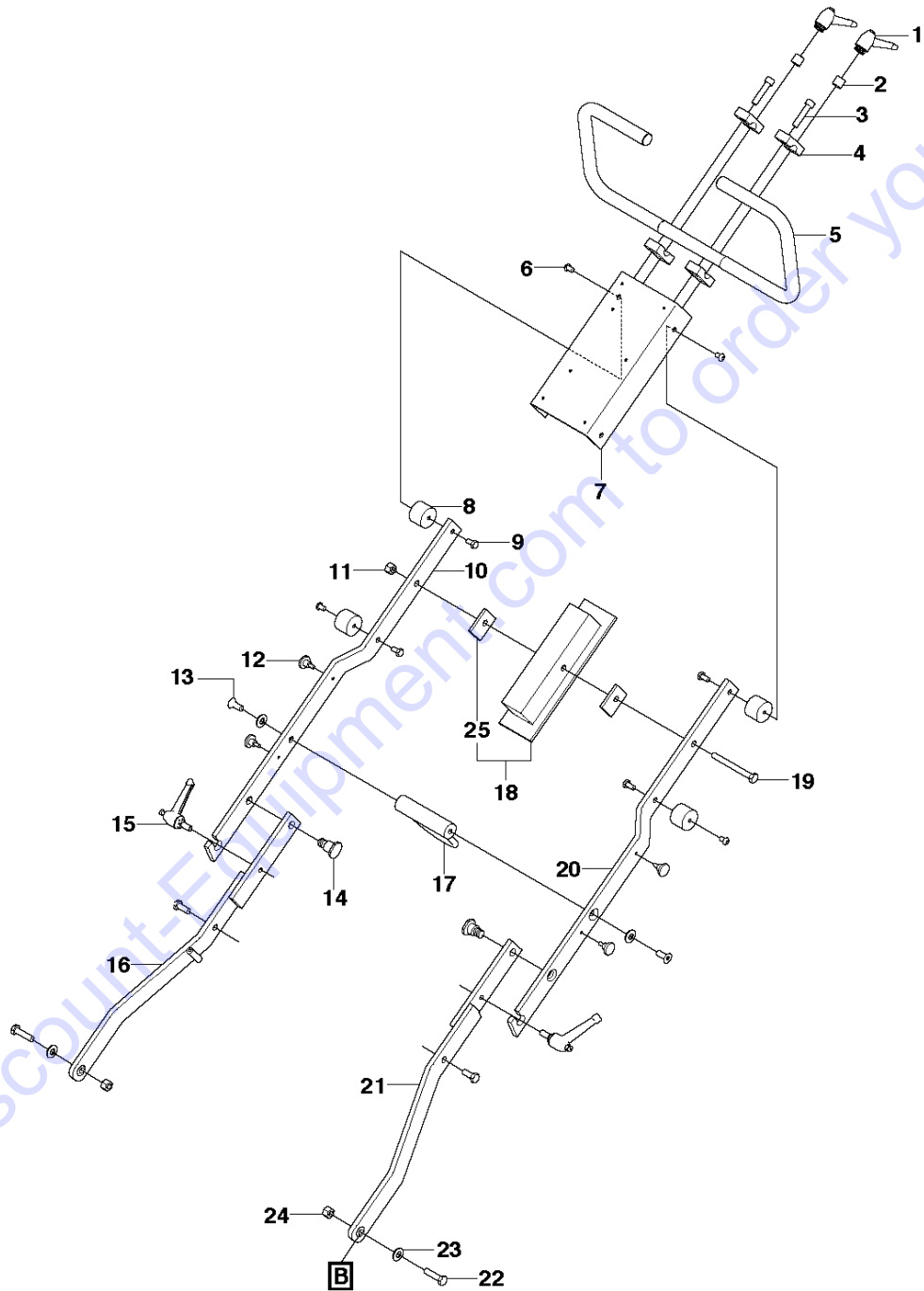


Go to DiscountEquipment.com to order your parts

Ref	Part No	Description	Remark	QTY	KIT
1	522 48 67-01	FAN COVER		1	13
2	522 48 68-01	FAN COVER		1	14
3	522 46 40-01	LOCKWASHER		4	13
4	522 46 42-01	WASHER		4	13
5	725 23 25-77	SCREW EHHM		4	13
6	735 31 28-00	CIRCLIP		1	13
7	522 48 70-01	IMPELLER		1	13
8	522 48 71-01	IMPELLER		1	14
9	740 68 16-21	V-RING SEAL		2	13
10	740 68 14-21	V-RING		2	14
11	738 22 06-29	BALL BEARING		2	13
12	738 22 05-29	BEARING		2	14
13	510 20 84-02	MOTOR		1	
14	510 43 50-02	MOTOR		1	
15	574 70 31-01	MOTOR BRACKET		1	
16	734 11 63-01	WASHER		4	
17	725 54 55-01	SCREW IHSCM		4	
18	721 44 09-01	PEN		1	
19	510 21 33-01	HUB		1	
21	725 64 47-55	SCREW IHCSFM		6	
22	510 21 30-01	ATTACHMENT PLATE		1	
23	510 21 31-01	DAMPER		6	
24	725 54 51-55	SCREW IHSCM		4	
25	510 23 51-01	WASHER		1	
27	725 24 95-71	SCREW EHHM		1	
29	522 67 73-01	HOLDER		1	
30	725 64 49-55	SCREW IHCSFM		6	
31	574 27 20-01	RUBBER SKIRT		1	
32	525 55 51-01	STRIP		1	

Go to Discount-Equipment.com to order your parts

C



Ref	Part No	Description	Remark	QTY	KIT
1	510 24 48-01	HANDLE		2	
2	510 22 96-01	SPACER		2	
3	725 55 00-55	SCREW IHSCM		2	
4	510 22 93-01	BRACKET		4	
5	510 22 94-01	HANDLE		1	
6	510 36 15-01	SCREW IHPANM		4	
7	510 22 88-01	FRAME		1	
8	510 22 78-01	DAMPER		4	
9	725 24 49-71	SCREW EHHM		4	
10	510 22 69-01	FORK		1	
11	732 25 20-01	HEXAGON LOCKING NUT		3	
12	510 36 16-01	SCREW		4	
13	725 64 93-55	SCREW IHCSFM		2	
14	510 22 84-01	BUSHING		2	
15	510 22 82-01	LOCKING HANDLE		2	
16	510 21 60-01	ARM		1	
17	510 22 70-01	HOSE CLIP		1	
18	574 55 55-01	KIT		1	
19	725 25 11-51	SCREW EHHM		1	
20	510 22 68-01	FORK		1	
21	510 21 59-01	ARM		1	
22	725 25 00-81	SCREW EHHM		2	
23	734 11 72-01	WASHER		4	
24	732 25 20-01	HEXAGON LOCKING NUT		2	
25	522 48 72-01	SPACER		2	18

Go to Discount-Equipment.com to order your parts

PARTS FINDER

**Search Website
by Part Number**



**Search Manual
Library For Parts
Manual & Lookup Part
Numbers – Purchase
or Request Quote**

Search Manuals

Enter your information to help us find the right parts manual for your machine.

* Brand:

* Model:

* Serial:

* Part Number:

SEARCH

**Can't Find Part or
Manual? Request Help
by Manufacturer,
Model & Description**

Parts Order Form

Please fill in the following information to help us find the right part for your machine.

MANUFACTURER:

MODEL:

DESCRIPTION:

DATE:

NAME:

PHONE:

EMAIL:

ADDRESS:

CITY:

STATE:

ZIP:

REQUEST FOR QUOTE:

ORDER PARTS:

SEARCH

Discount-Equipment.com is your online resource for quality parts & equipment.

Florida: **561-964-4949** Outside Florida TOLL FREE: **877-690-3101**

Need parts?

Click on this link: <http://www.discount-equipment.com/category/5443-parts/> and choose one of the options to help get the right parts and equipment you are looking for. Please have the machine model and serial number available in order to help us get you the correct parts. If you don't find the part on the website or on one of the online manuals, please fill out the request form and one of our experienced staff members will get back to you with a quote for the right part that your machine needs.

We sell worldwide for the brands: Genie, Terex, JLG, MultiQuip, Mikasa, Essick, Whiteman, Mayco, Toro Stone, Diamond Products, Generac Magnum, Airman, Haulotte, Barreto, Power Blanket, Nifty Lift, Atlas Copco, Chicago Pneumatic, Allmand, Miller Curber, Skyjack, Lull, Skytrak, Tsurumi, Husquvarna Target, Stow, Wacker, Sakai, Mi-T-M, Sullair, Basic, Dynapac, MBW, Weber, Bartell, Bennar Newman, Haulotte, Ditch Runner, Menegotti, Morrison, Contec, Buddy, Crown, Edco, Wyco, Bomag, Laymor, EZ Trench, Bil-Jax, F.S. Curtis, Gehl Pavers, Heli, Honda, ICS/PowerGrit, IHI, Partner, Imer, Clipper, MMD, Koshin, Rice, CH&E, General Equipment, Amida, Coleman, NAC, Gradall, Square Shooter, Kent, Stanley, Tamco, Toku, Hatz, Kohler, Robin, Wisconsin, Northrock, Oztec, Toker TK, Rol-Air, APT, Wylie, Ingersoll Rand / Doosan, Innovatech, Con X, Ammann, Mecalac, Makinex, Smith Surface Prep, Small Line, Wanco, Yanmar