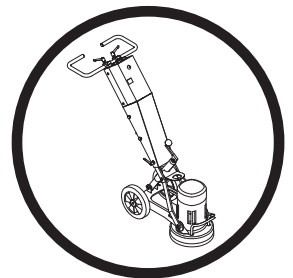


**Operator's manual Manuel d'utilisation  
Instruções para o uso Οδηγίες χρήσεως**

**PG 400**

**PG 280**



**GB ES PT GR**

Please read the operator's manual carefully and make sure you understand the instructions before using the machine.  
Lea detenidamente el manual de instrucciones y asegúrese de entender su contenido antes de utilizar la máquina.  
Leia as instruções para o uso com toda a atenção e compreenda o seu conteúdo antes de fazer uso da máquina.  
Διαβάστε προσεκτικά τις Οδηγίες χρήσεως και κατανοήστε το περιεχόμενο πριν χρησιμοποιήσετε το μηχάνημα.

**TO PURCHASE THIS PRODUCT PLEASE CONTACT US**



**Equipment Financing and  
Extended Warranties Available**



**Discount-Equipment.com is your online resource for  
commercial and industrial quality parts and equipment sales.**

**561-964-4949**

**visit us on line @ [www.discount-equipment.com](http://www.discount-equipment.com)**

Select an option below to find your Equipment

**Search by Manufacturer**

**Search by Product Type**

**Request a Quote**

We sell worldwide for the brands: Genie, Terex, JLG, MultiQuip, Mikasa, Essick, Whiteman, Mayco, Toro Stone, Diamond Products, Generac Magnum, Airman, Haulotte, Barreto, Power Blanket, Nifty Lift, Atlas Copco, Chicago Pneumatic, Allmand, Miller Curber, Skyjack, Lull, Skytrak, Tsurumi, Husquvarna Target, Stow, Wacker, Sakai, Mi-T-M, Sullair, Basic, Dynapac, MBW, Weber, Bartell, Bennar Newman, Haulotte, Ditch Runner, Menegotti, Morrison, Contec, Buddy, Crown, Edco, Wyco, Bomag, Laymor, EZ Trench, Bil-Jax, F.S. Curtis, Gehl Pavers, Heli, Honda, ICS/PowerGrit, IHI, Partner, Imer, Clipper, MMD, Koshin, Rice, CH&E, General Equipment, Amida, Coleman, NAC, Gradall, Square Shooter, Kent, Stanley, Tamco, Toku, Hatz, Kohler, Robin, Wisconsin, Northrock, Oztec, Toker TK, Rol-Air, APT, Wylie, Ingersoll Rand / Doosan, Innovatech, Con X, Ammann, Mecalac, Makinex, Smith Surface Prep, Small Line, Wanco, Yanmar

# KEY TO SYMBOLS

## Symbols on the machine:

**WARNING!** The machine can be a dangerous tool if used incorrectly or carelessly, which can cause serious or fatal injury to the operator or others.



Please read the operator's manual carefully and make sure you understand the instructions before using the machine.



Wear personal protective equipment. See instructions under the "Personal protective equipment" heading.



**WARNING!** Dust forms when grinding, which can cause injuries if inhaled. Use an approved breathing mask. Always provide for good ventilation.



**Starting:** Reduce the pressure between grinding disc and floor by pushing down on the handle without raising the grinding unit off the ground.



This product is in accordance with applicable EC directives.



**Environmental marking.** Symbols on the product or its packaging indicate that this product cannot be handled as domestic waste.



By ensuring that this product is taken care of correctly, you can help to counteract the potential negative impact on the environment and people that can otherwise result through the incorrect waste management of this product.

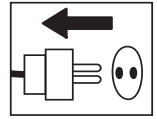


For more detailed information about recycling this product, contact your municipality, your domestic waste service or the shop from where you purchased the product.

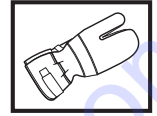
**Other symbols/decals on the machine refer to special certification requirements for certain markets.**

## Symbols in the operator's manual:

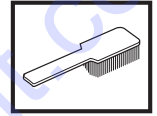
Inspection and/or maintenance should be carried out with the motor switched off and the plug disconnected.



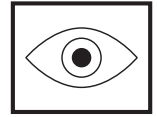
Always wear approved protective gloves.



Regular cleaning is required.



Visual check.



Protective goggles or a visor must be worn.



---

# CONTENTS

---

## Contents

### KEY TO SYMBOLS

Symbols on the machine: ..... 2

Symbols in the operator's manual: ..... 2

### CONTENTS

Contents ..... 3

### WHAT IS WHAT?

What is what on the grinder? ..... 4

### SAFETY INSTRUCTIONS

Before using a new grinder ..... 5

Personal protective equipment ..... 5

General safety precautions ..... 6

### ASSEMBLY

Fit the handle ..... 8

Changing the diamonds ..... 8

Connect the vacuum cleaner ..... 9

Transport ..... 9

### GRINDING GUIDE

Diamonds ..... 10

Determining the hardness of concrete ..... 11

Diamond selection ..... 11

The motor's direction of rotation ..... 13

### STARTING AND STOPPING

Before starting ..... 14

Starting ..... 14

Stopping ..... 14

### MAINTENANCE

Faults and trouble shooting ..... 15

Maintenance ..... 15

Service ..... 15

### TECHNICAL DATA

PG 280 ..... 16

PG 400 ..... 16

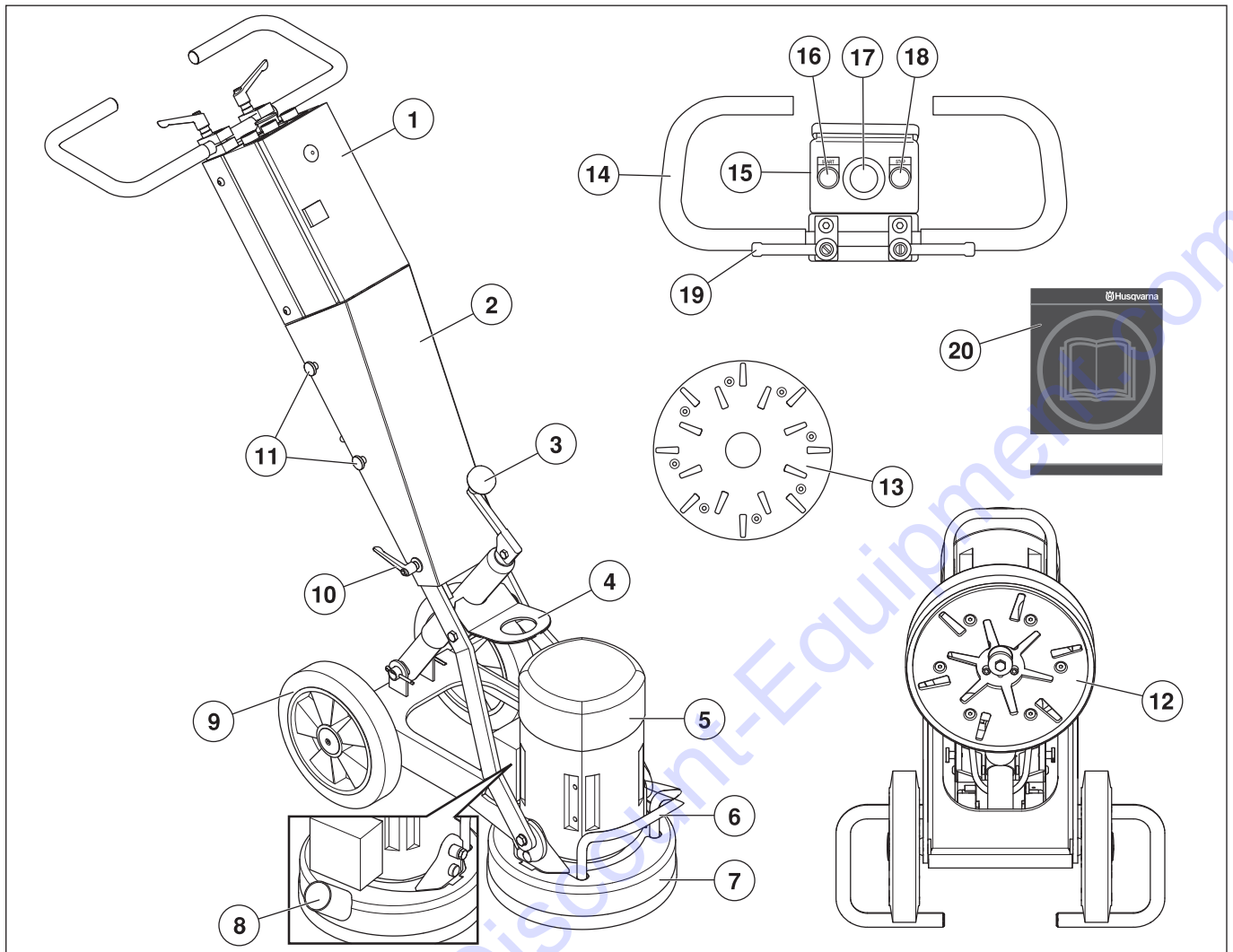
EC-declaration of conformity ..... 17

### WIRING DIAGRAM

3 phase ..... 18

Single-phase ..... 19

# WHAT IS WHAT?



## What is what on the grinder?

- |                                         |                                          |
|-----------------------------------------|------------------------------------------|
| 1 Electric box                          | 11 Screws, cover                         |
| 2 Cover                                 | 12 Grinding unit - PG 280                |
| 3 Crank for adjusting grinding pressure | 13 Grinding unit - PG 400                |
| 4 Lifting eye                           | 14 Handle / handlebar                    |
| 5 Electric motor                        | 15 Control panel                         |
| 6 Lifting handle                        | 16 Start button                          |
| 7 Skirt                                 | 17 Emergency stop                        |
| 8 Connection for vacuum cleaner         | 18 Stop button                           |
| 9 Wheel set                             | 19 Locking knob for handlebar adjustment |
| 10 Cover locking knob                   | 20 Operator's manual                     |

# SAFETY INSTRUCTIONS

## Before using a new grinder

- Please read the operator's manual carefully and make sure you understand the instructions before using the machine.
- Grinders PG 400 and PG 280 are designed for surface removal of glue/adhesive residues, putty and the like from concrete floors and grinding and flattening out concrete floors.
- The machine can cause serious personal injury. Read the safety instructions carefully. Learn how to use the machine.
- Only staff that have received the necessary education, both practically and theoretically concerning their usage should operate the machinery.

## Always use common sense

It is not possible to cover every conceivable situation you can face. Always exercise care and use your common sense. Avoid all situations which you consider to be beyond your capability. If you still feel uncertain about operating procedures after reading these instructions, you should consult an expert before continuing.

Do not hesitate to contact Discount-equipment if you have any more questions about the use of the machine. We will willingly be of service and provide you with advice as well as help you to use your machine both efficiently and safely .

Let Discount-equipment regularly check the machine and make essential adjustments and repairs.

All information and all data in the Operator's Manual were applicable at the time the Operator's Manual was sent to print.



**WARNING! Under no circumstances should you modify the original design of the machine without approval from the manufacturer. Always use original spare parts. Unauthorized modifications and/or accessories may lead to serious injury or death to the user or others.**



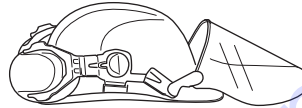
**WARNING! Use of products which cut, grind, drill, sand or shape material can generate dust and vapors which may contain harmful chemicals. Know the nature of the material being worked on and wear appropriate dust mask or respirator protection.**

## Personal protective equipment

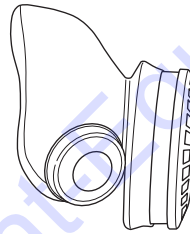


**WARNING! You must use approved personal protective equipment whenever you use the machine. Personal protective equipment cannot eliminate the risk of injury but it will reduce the degree of injury if an accident does happen. Ask your dealer for help in choosing the right equipment.**

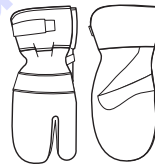
- Protective helmet
- Hearing protection
- Protective goggles or a visor



- Breathing mask



- Heavy-duty, firm grip gloves.



- Tight-fitting, heavy-duty and comfortable clothing that permits full freedom of movement.



- Boots with steel toe-caps and non-slip sole.



- Always have a first aid kit nearby.



# SAFETY INSTRUCTIONS

## General safety precautions



**WARNING!** This section describes basic safety directions for using the machine. This information is never a substitute for professional skills and experience. If you get into a situation where you feel unsafe, stop and seek expert advice. Contact Discount-equipment. Do not attempt any task that you feel unsure of!

- Do not use the machine without first reading and understanding the contents of this Operator's Manual. **Save all warnings and instructions for future reference.**

### Work area safety

- Do not use the machine in bad weather, such as dense fog, rain, strong wind, intense cold, etc.
- **Keep work area clean and well lit.** Cluttered or dark areas invite accidents.
- The machine should not be used in areas where potential for fire or explosions exist.

### Electrical safety



**WARNING!** There is always a risk of shocks from electrically powered machines. Avoid unfavourable weather conditions and body contact with lightning conductors and metal objects. Always follow the instructions in the Operator's manual to avoid damage.

**Never connect the machine to a outlet if plug or cord is damaged.**

- Check that the mains voltage corresponds with that stated on the rating plate on the machine.
- Inspection and/or maintenance should be carried out with the motor switched off and the plug disconnected.
- Always shut down the machine before disconnecting the power plug.
- Never drag the machine by means of the cord and never pull out the plug by pulling the cord. Hold the plug to disconnect the power cord.
- Never use the machine if any cable or plug is damaged, but hand it in to an authorized service workshop for repair.
- The machine must never be driven to such a depth in water that it reaches up to the machine's equipment. The equipment can be damaged and the machine can be live, resulting in personal injuries.

## Grounding instructions



**WARNING!** Improper connection can result in the risk of electric shock. Contact a qualified electrician if in doubt as to whether the appliance is properly grounded.

**Do not modify the plug.** If it will not fit the outlet have a proper outlet installed by a qualified electrician. Make sure local regulations and ordinances are followed.

**If the grounding instructions are not fully understood contact a qualified electrician.**

- The machine is equipped with a grounded cord and plug and should always be connected to a grounded outlet. This reduces the risk of electric shock in the event of malfunction.
- The use of adaptors is not allowed with the machine.

### Extension cords and cables

- The marking on the extension cable must be the same or higher than the value stated on the machine's rating plate.
- Use grounded extension cables.
- **When operating a power tool outdoors, use an extension cord suitable for outdoor use.** Use of a cord suitable for outdoor use reduces the risk of electric shock.
- Keep the connection to the extension cord dry and off the ground.
- Keep cable away from heat, oil, sharp edges or moving parts. Damaged or entangled cable increase the risk of electric shock.
- Check that the cables are intact and in good condition. Never use the machine if any cable is damaged, but hand it in to an authorized service workshop for repair.
- To avoid overheating do not use the extension cord while it is rolled up.
- Ensure the cord is behind you when you start to use the machine so that the cord will not be damaged.

# SAFETY INSTRUCTIONS

## Personal safety



**WARNING! Overexposure to vibration can lead to circulatory damage or nerve damage in people who have impaired circulation. Contact your doctor if you experience symptoms of overexposure to vibration. Such symptoms include numbness, loss of feeling, tingling, pricking, pain, loss of strength, changes in skin colour or condition. These symptoms normally appear in the fingers, hands or wrists. These symptoms may be increased in cold temperatures.**

- Wear personal protective equipment. See instructions under the "Personal protective equipment" heading.
- Never use the machine if you are tired, if you have drunk alcohol, or if you are taking medication that could affect your vision, your judgement or your co-ordination.
- Never allow anyone else to use the machine without first ensuring that they have understood the contents of the operator's manual.
- All operators shall be trained in the use of the machine. The owner is responsible for ensuring that the operators receive training.
- People and animals can distract you causing you to lose control of the machine. For this reason, always remain concentrated and focused on the task. Never allow children to use or be in the vicinity of the machine.
- Be careful as clothing, long hair, and jewellery can get caught in moving parts.
- There is always a risk of crush injuries when working with products containing moving parts. Keep your distance!
- Never leave the machine unsupervised with the motor running.
- Make sure that there is always another person close at hand when you use the machines, so that you can call for help if an accident should occur.
- Always ensure you have a safe and stable working position.

## Use and care

- Only use the machine for the purpose it was intended for.
- Keep all parts in good working order and ensure that all fixtures are properly tightened.
- Never use a machine that is faulty. Carry out the checks, maintenance and service instructions described in this manual. Some maintenance and service measures must be carried out by trained and qualified specialists. See instructions under the Maintenance heading.
- Do not modify safety equipment. Check regularly that they function as they should. The machine must not be run with defective or disassembled safety equipment.
- Never use a machine that has been modified in any way from its original specification.
- Always use genuine accessories. Contact Discount-equipment for more information.

- Machinery should only be started when grinding heads are resting on the ground unless carrying out a testing procedure as outlined in this manual.
- The machine should not be started without the rubber dust skirt attached. It is essential a good seal between machine and floor be established for safety, especially when operating in dry grinding applications.
- During grinding, the machine must be connected to a vacuum cleaner for the removal of the dust.
- When changing the grinding discs ensure power supply to the unit is OFF by engaging the Emergency Stop button and the power-plug disconnected.
- After each grinding/polishing operation always remove the diamond tools.
- Make sure that the rubber skirt is intact and clean and that it seals tightly against the floor. Damaged rubber skirt should always be replaced.
- The grinding disc continues to rotate for some time after the motor has stopped. Maintain grinding action until the fan has come to a complete stop. Make sure the grinding head has stopped rotating before raising the machine.
- When removing glue, asphalt, paint etc. always raise the machine from the surface after use to prevent it from sticking to the floor due to the heat. Make sure the grinding head has stopped rotating before raising the machine.
- Diamond tools may be very hot after use. Leave machine to cool off before removing the diamond segments. Use protective gloves.
- Always use the machine mounted lifting eye when lifting.
- Always carry the machine by the carrying handle and the handle.

## Transport and storage

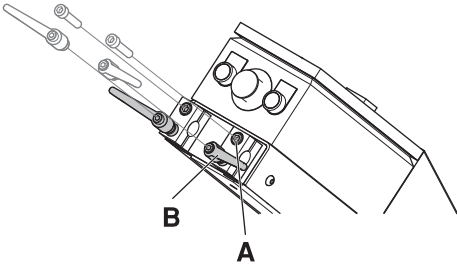
- Secure the equipment during transportation in order to avoid transport damage and accidents.
- The machine should be transported under cover where possible, limiting the exposed to natural elements – in particular rain and snow.
- Store the equipment in a lockable area so that it is out of reach of children and unauthorized persons.
- The machine should always be stored in a dry place when not in use.



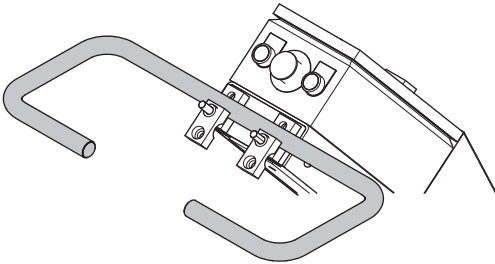
# ASSEMBLY

## Fit the handle

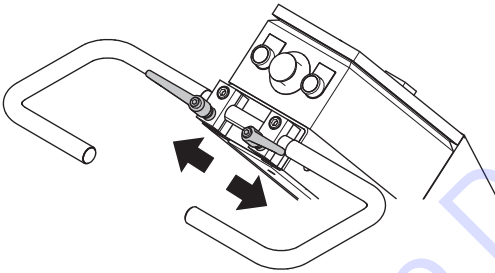
- Remove the screws (A).



- Remove the locking knobs (B).
- Fit the handle in the handle stand-off on the machine.



- Refit screws (A) and locking knobs (B).
- The locking knobs should be positioned in-line with the handlebar to reduce the risk of damaging the knobs when laying down the machine when changing tools.

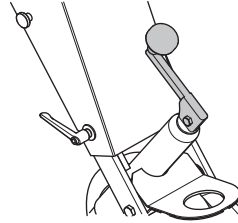


## Changing the diamonds

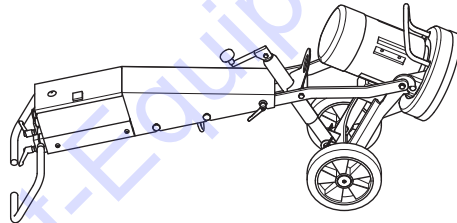


Shut down the machine and disconnect the power plug.  
Have a set of gloves ready, as diamond tools can get very hot.

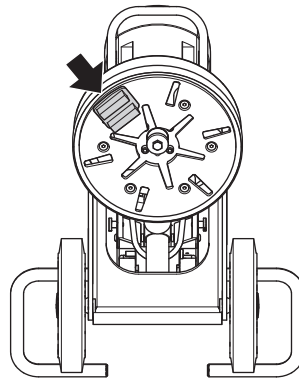
- Crank up the handlebar to the highest position.



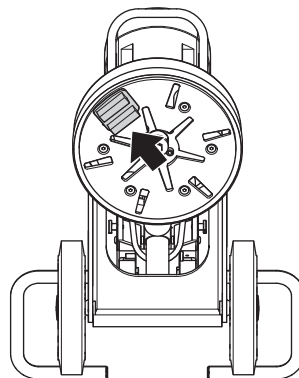
- Pull back on handle to lift grinding head off the ground.
- Lay machine back on the ground.



- Put on gloves.
- Use a hammer to remove the diamond segments.



- Affix new diamond segments on the grinding disc.

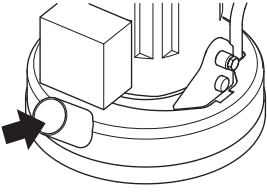


- Once new diamond segments have been attached, reverse procedure to lower machine to ground.

# ASSEMBLY

## Connect the vacuum cleaner

Connect the vacuum cleaner to the machine. Use a 50 mm (2 inch) hose.

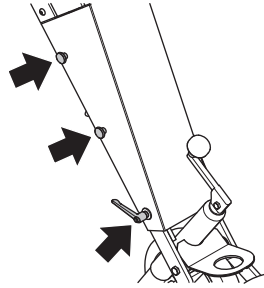


- Use a Husqvarna dust extraction system for complete dust control.
- Make sure that the filters in the vacuum cleaner are intact and clean. Pay attention to dust during operation.
- Adjust the rubber skirt to be in contact with the floor to ensure efficient dust collection.

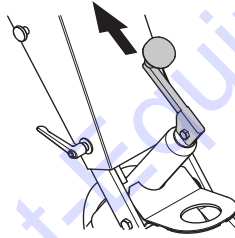
## Transport

The machine can be folded to minimize space needed for transport.

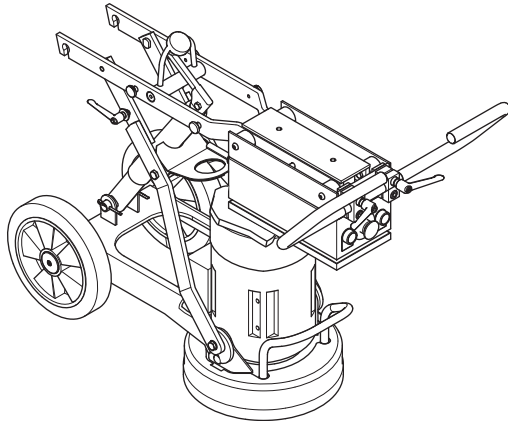
- Loosen the screws and the lock handle that hold the cover in place.



- Remove the cover.
- Place the crank with the handle pointing straight upwards.



- Carefully fold the machine forward. Put padding between the motor and the electric box to prevent damage to the machine.



- The cover can be attached to the side of the machine.

# GRINDING GUIDE

## Diamonds

### Background

Diamond abrasives usually consist of 2 components:

- Diamond powder (also known as diamond crystals or grit). By changing the size of the diamond powder or grit, we can change how coarse or fine the scratches will be that are left behind from the grinding process.
- A binding agent (metal or resin). Diamond powder is mixed and suspended in either a metal or resin binding agent. When suspended in a metal binding agent, the finished product is referred to as a Metal Bond or Sintered diamond segment. When suspended in a resin binding agent, the finished product is referred to as a Resin Bond diamond segment or pad. By changing the hardness of the binding agent, we can change how fast or slow the diamond abrasive will wear.

### General Principles

The following are general rules regarding diamond segments in grinding applications. As with all general rules there are exceptions or cases when it is not the case.

#### Diamond grit size

Changing the size of the diamond grit to a smaller particle/grit size will effect the performance of the diamond tool in the following ways:

- Create a finer scratch pattern.
- Increase life of diamond tool.

The opposite will occur when changing to a larger particle/grit size.

#### Binding agent

Increasing hardness of bond will:

- Create a finer scratch pattern.
- Increase life of diamond tool.
- Decrease production rate.

The opposite will occur when making the metal or resin bond softer.

#### Number of diamond segments under the machine

Increasing the number of segments under the machine will:

- Reduce pressure on each individual diamond segment - reduce wear rate on diamond segments.
- Reduce load on the machine and cause the grinder to draw less current.
- Create a smoother scratch pattern (particularly on soft floors).

The opposite will occur when decreasing the number of segments under the machine.

### Summary of diamond principles

Diamond segments need to wear in order to achieve productivity. Diamond segment wear can be influenced by the following factors:

- Pressure.
- Hardness of bond.
- Diamond grit size.
- Number of segments under the machine.
- Adding an additional abrasive (e.g. sand, silicone carbide) on the floor will increase wear.

Generally, the faster a diamond segment wears, the faster the productivity will be. By varying the above factors, changes can also be made to effect the following:

- Scratch pattern.
- Current draw of machine.
- Flatness of floor (see next section).
- Ease of operation.

# GRINDING GUIDE

## Determining the hardness of concrete

All concretes are measured by their compressive strength and depending on which part of the world you are from, different compressive strength indices (e.g. PSI & MPa) are used. Generally, the higher the compressive strength rating, the harder the concrete and therefore, the harder it will be to grind.

However, other factors beside compressive strength ratings determine how hard the floor will be, and therefore, the correct diamond selection. Since grinding normally only deals with the surface of the concrete (top 5mm or 1/4 inch), often the way the concrete floor has been finished or the condition of the surface will have a greater bearing on what type of diamond to select, rather than the compressive strength rating of the concrete.

### Surface factors to consider when making a diamond selection

Generally, if a concrete surface is very smooth (i.e. Most likely it has been heavily trowelled/helicoptered), the concrete will behave as if it has a high compressive strength and therefore, require a soft bond segment.

Accordingly, if a concrete surface is coarse/aggressive (e.g. rain-damaged, shot blasted, scarified, exposed aggregate e.t.c.), the concrete will behave as if it has a low compressive strength and therefore, require a hard bond segment.

Surface coatings/contaminants (e.g. Epoxy coatings, ceramic tile adhesives, levelling compounds/screeds) will often have a larger bearing on what diamond to select, than will the compressive strength of the concrete.

As a general rule, when grinding a concrete slab for the first time and you are unsure about its hardness, always begin with harder bond diamonds under the machine. This will ensure the least amount of wear on the diamond segments. If a hard diamond segment is not suited to the application, all it has cost is a little amount of time without wearing out the diamonds.

If performed the other way around (i.e. a soft segment is used to begin with) and the concrete is soft or possesses an abrasive surface or surface contaminant, it is quite possible to wear-out a considerable amount of diamond in very short period of time.

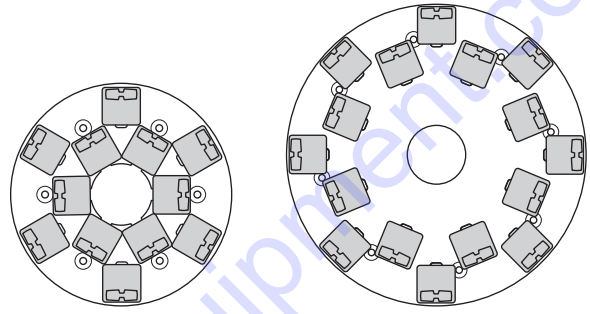
## Diamond selection

The way diamond segments are set-up on the grinding unit will greatly influence the performance of the machine, the productivity levels and also the finished floor quality.

There are a number of different diamond configurations that can be achieved on both the PG 400 and PG 280.

### Metal bond diamonds

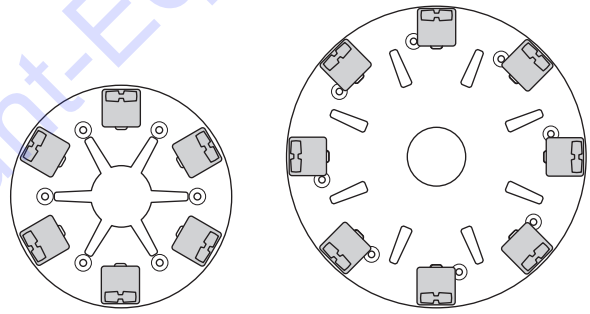
#### Full set - inner and outer row



PG 280

PG 400

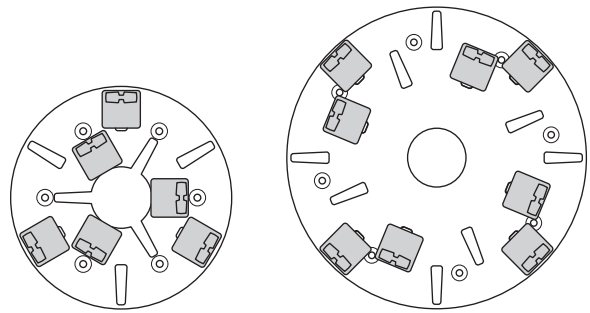
#### Full set - outer row



PG 280

PG 400

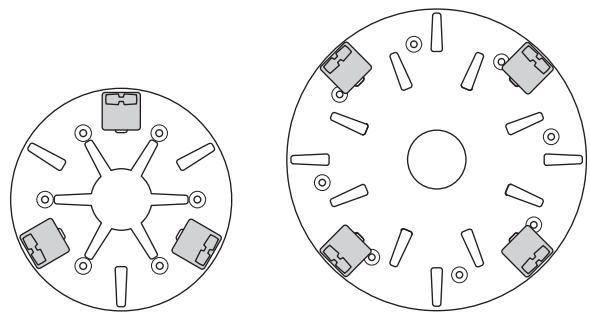
#### Half set - inner and outer row



PG 280

PG 400

#### Half set - outer row



PG 280

PG 400

# GRINDING GUIDE

## Select the correct metal bond diamonds for your application

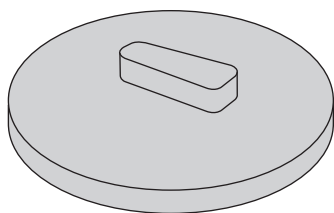
The following suggestion cover the basic configurations for metal bonded diamond tools.

Applications	Metal bond	Grit size	Full set - inner and outer row	Full set - outer row	Half set - inner and outer row	Half set - outer row
Flatten floor - Hard concrete	Soft	16 or 30	X			
Flatten floor - Medium concrete	Medium	16 or 30	X			
Flatten floor - Soft concrete	Hard	16 or 30	X			
Ceramic tile adhesive removal	Medium	PIRANHA™ or 16-30	X			
Vinyl or Carpet glue removal - Hard concrete	Soft	PIRANHA™ or 16-30			X	X
Vinyl or Carpet glue removal - Medium concrete	Medium	PIRANHA™ or 16-30			X	X
Vinyl or Carpet glue removal - Soft concrete	Hard	PIRANHA™ or 16-30			X	X
Epoxy paint removal - Hard concrete	Soft	PIRANHA™ or 16-30		X	X	
Epoxy paint removal - Medium concrete	Medium	PIRANHA™ or 16-30		X		
Epoxy paint removal - Soft concrete	Hard	PIRANHA™ or 16-30		X		
Rain damaged concrete	Hard	16-30	X		X	
Smoothen exposed aggregate	Hard	16-30	X		X	
Lippage removal in terrazzo/stone tiles	Soft	30 or 60	X			
Surface polishing of concrete floors - Hard concrete	Soft	60			X	X
Surface polishing of concrete floors - Medium concrete	Medium	60			X	X
Surface polishing of concrete floors - Soft concrete	Hard	60			X	X
Grinding to exposed aggregate in concrete - Hard concrete	Soft	16-30	X	X	X	
Grinding to exposed aggregate in concrete - Medium concrete	Medium	16-30	X	X	X	
Grinding to exposed aggregate in concrete - Soft concrete	Hard	16-30	X		X	
Flatten undulation in concrete floors - Hard concrete	Soft	16 or 30	X	X	X	
Flatten undulation in concrete floors - Medium concrete	Medium	16 or 30	X		X	
Flatten undulation in concrete floors - Soft concrete	Hard	16 or 30	X		X	

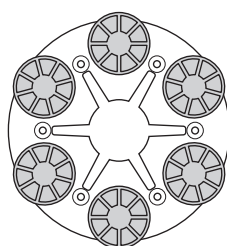
# GRINDING GUIDE

## Resin bond diamonds

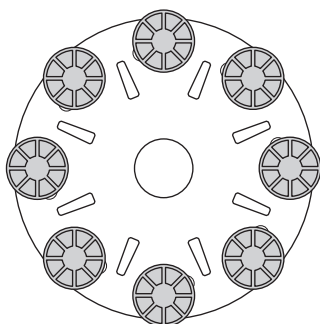
Redi Lock resin attachment adaptor



### Full set - outer row

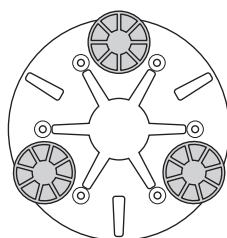


PG 280

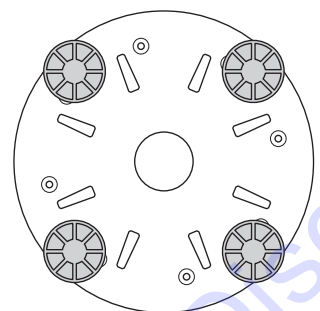


PG 400

### Half set - outer row



PG 280



PG 400

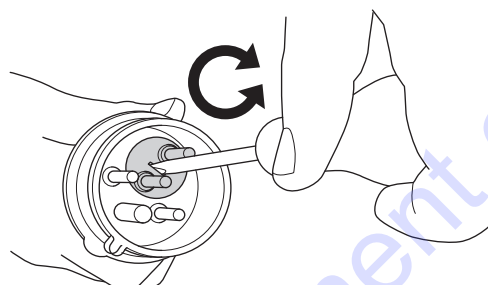
### Selecting the correct resin bond diamond configuration for your application

Applications	Full set - outer row	Half set - outer row
Polishing terrazzo/stone tiles	X	
Resurfacing terrazzo/stone tiles		X
Surface polishing of concrete floors - Hard concrete		X
Surface polishing of concrete floors - Medium concrete		X
Surface polishing of concrete floors - Soft concrete		X

## The motor's direction of rotation (3 phase)

The motor's direction can be changed by reversing the poles in the power plug.

NOTE! The Piranha/PCD tools are designed to run in only one direction.

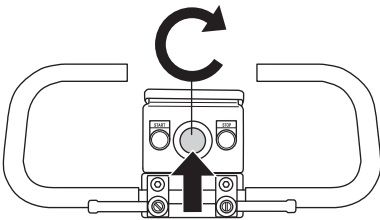


# STARTING AND STOPPING

## Before starting



- Position grinder on the working area.
- Make sure there are diamonds beneath the machine and that they are firmly attached.
- Connect the vacuum cleaner to the machine.
- Use locking knobs for handlebar adjustment to set most comfortable working height.
- Plug power supply to machine.
- Check that the emergency stop button is not pressed by turning it clockwise.

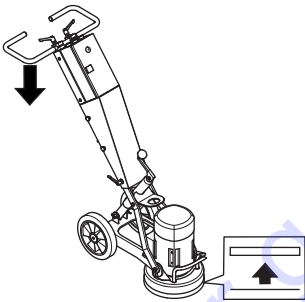


- Check the motor's direction of rotation

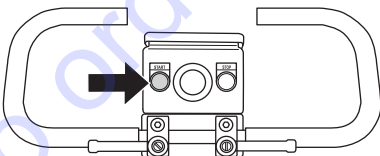
## Starting



- Reduce the pressure between grinding disc and floor by pushing down on the handle without raising the grinding unit off the ground.



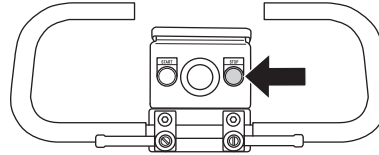
- Press the start button and keep it pressed a few seconds to start the machine.



## Stopping



- Use the stop button to shut down the machine.



- Keep grinding segments in contact with the floor when stopping. This will help bring the machine to a complete stop quickly. Do not lift the grinding head off the floor when stopping as this can create a significant amount of dust in the air.
- Disconnect the power plug.

# MAINTENANCE

## Faults and trouble shooting

### The machine will not run

- Check the power supply and the power cables and make sure that they are not damaged.
- Check that the emergency stop button is not pressed by turning it clockwise.

### Machine is hard to hold onto

- Not enough diamonds under the machine (if grinding thick glue or soft floors, too few diamonds under the machine will greatly increase the load on grinder and operator). Usually also accompanied by high current draw by motor.

Increase number of diamonds under machine to reduce load on grinder and operator.

### Machine is jumping around

- Rubber shock absorber pads in grinding unit may be worn out or damaged. Check and change if necessary.
- Diamonds may not be fitted correctly or have different heights. Check to ensure all diamonds are fitted correctly and are the same height.

### The machine stops after just a while

- The machine is overloaded and the overload protection has been released. Reduce load. The machine will reboot after about a minute when the motor has cooled off.

### The machine stops during start-up

- The electric motor has been overloaded or a phase is missing. Allow the machine one or two minutes to reset and try again. When this does not help, contact Discount-equipment.

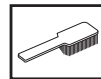
## Maintenance



**IMPORTANT!** Inspection and/or maintenance should be carried out with the motor switched off and the plug disconnected.

Used correctly, the machine is an extremely low-maintenance and reliable product.

## Cleaning



Always pull out the plug from the outlet socket before cleaning, maintenance or assembly.

Always clean all the equipment at the end of the working day. Do not use a high pressure washer to clean the machine.

In order for the machine to always be cooled sufficiently the cooling air openings must be kept clear and clean.

## Rubber shock absorber pads

Check the rubber shock absorbing pads every month. Replace if necessary.

## Electrical Feed



**WARNING!** Never use damaged cables. They can cause serious, even fatal, personal injuries.

Check that the cord and extension cord are intact and in good condition.

Never use the machine if the cord is damaged, hand it in to an authorized service workshop for repair.

## Skirt

Make sure that the rubber skirt is intact and clean and that it seals tightly against the floor. Damaged rubber skirt should always be replaced.

## Service



**IMPORTANT!** All types of repairs may only be carried out by authorised repairmen. This is so that the operators are not exposed to great risks.



# TECHNICAL DATA

## PG 280

	PG 280 (3 phase, 380-480V)		PG 280 (Single-phase, 220-240V)		PG 280 (Single-phase, 100-120V)	
	50 Hz		50 Hz	60 Hz	50 Hz	60 Hz
Motor Power, kW/hp	3,0/4,0		2,2/3,0	2,2/3,0	1,5/2,0	1,5/2,0
Rated current, A	6		13	13	18	18
Rated voltage, V	380-480		220-240	220-240	100-120	100-120
Weight, kg/lbs	70/154		70/154	70/154	70/154	70/154
Grinding width, mm/inch	280/11		280/11	280/11	280/11	280/11
Grinding pressure, kg/lbs	35/77		35/77	35/77	35/77	35/77
Speed, rpm	2800		1400	1720	960	1160
<b>Noise emissions (see note 1)</b>						
Sound power level, measured dB (A)	107		107	107	107	107
Sound power level, guaranteed L <sub>WA</sub> dB (A)	108		108	108	108	108
<b>Sound levels (see note 2)</b>						
Sound pressure level at the operators ear, dB(A)	89		89	89	89	89
<b>Vibration levels (see note 3)</b>						
Handle right, m/s <sup>2</sup>	3,4		3,4	3,4	3,4	3,4
Handle left, m/s <sup>2</sup>	3,4		3,4	3,4	3,4	3,4

## PG 400

	PG 400 (3-phase, 200-240V)		PG 400 (3-phase, 380-480V)		PG 400 (Single-phase, 220-240V)	
	50 Hz	60 Hz	50 Hz	60 Hz	50 Hz	60 Hz
Motor Power, kW/hp	4,0/5,4	4,8/6,5	4,0/5,4	4,8/6,5	3,0/4,0	3,0/4,0
Rated current, A	15	15	9	9	16	18
Rated voltage, V	200-240	200-240	380-480	380-480	220-240	220-240
Weight, kg/lbs	115/254	115/254	115/254	115/254	115/254	115/254
Grinding width, mm/inch	400/16	400/16	400/16	400/16	400/16	400/16
Grinding pressure, kg/lbs	65/143	65/143	65/143	65/143	65/143	65/143
Speed, rpm	1430	1720	1430	1720	960	1160
<b>Noise emissions (see note 1)</b>						
Sound power level, measured dB (A)	107	107	107	107	107	107
Sound power level, guaranteed L <sub>WA</sub> dB (A)	108	108	108	108	108	108
<b>Sound levels (see note 2)</b>						
Sound pressure level at the operators ear, dB(A)	89	89	89	89	89	89
<b>Vibration levels (see note 3)</b>						
Handle right, m/s <sup>2</sup>	3,4	3,4	3,4	3,4	3,4	3,4
Handle left, m/s <sup>2</sup>	3,4	3,4	3,4	3,4	3,4	3,4

Note 1: Noise emissions in the environment measured as sound power (L<sub>WA</sub>) in conformity with EN 61029-1.

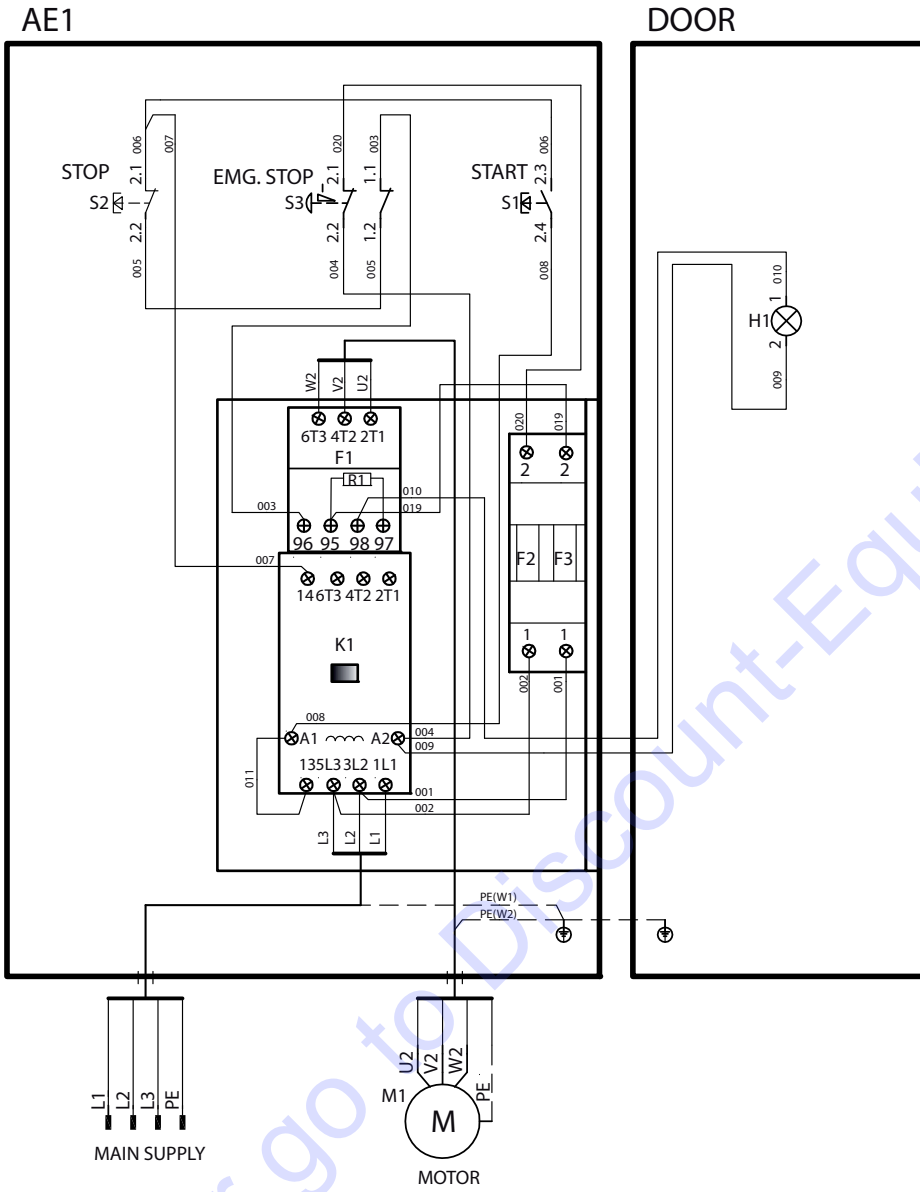
Note 2: Noise pressure level according to EN 61029-1. Reported data for noise pressure level has a typical statistical dispersion (standard deviation) of 1.0 dB(A).

Note 3: Vibration level according to EN 61029-1. Reported data for vibration level has a typical statistical dispersion (standard deviation) of 1 m/s<sup>2</sup>.

# WIRING DIAGRAM

3 phase

PG 280 / PG 400

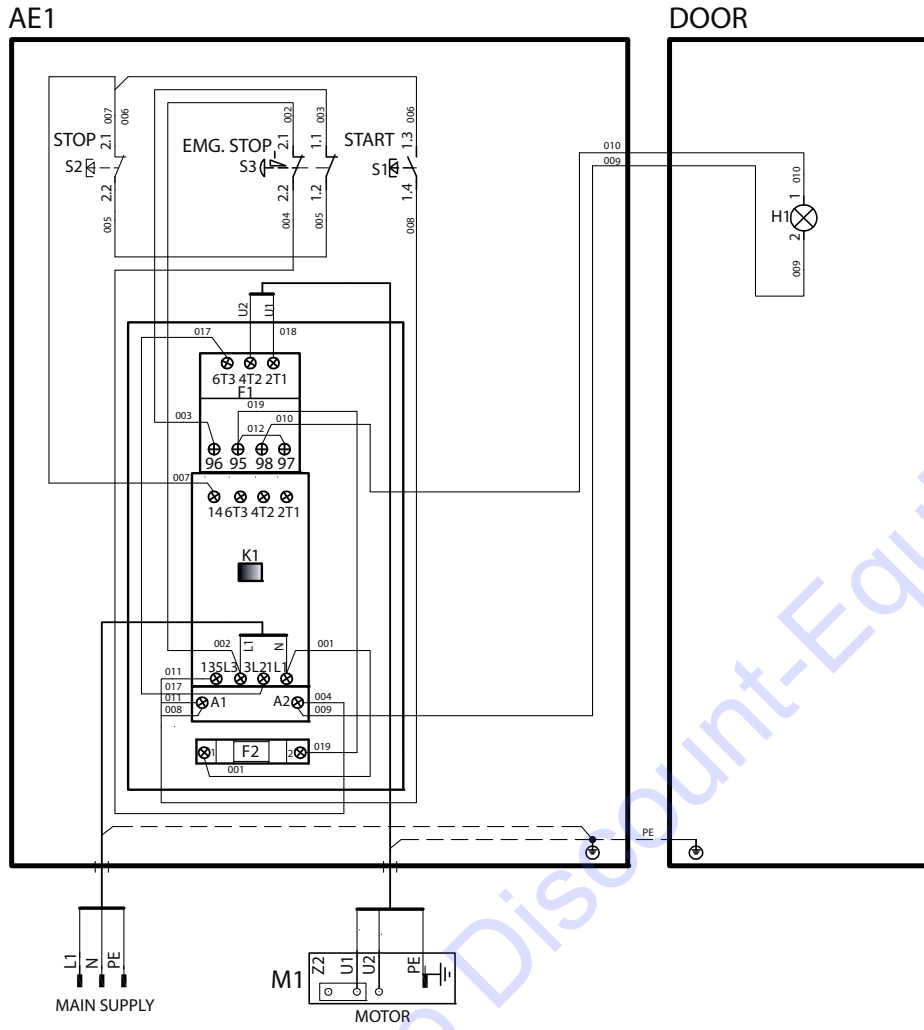


U2	V2	W2	PE
L1	L2	L3	PE
Variant 1	Black	Red	White
Variant 2	Brown	Black	Grey

# WIRING DIAGRAM

## Single-phase

PG 280 / PG 400



	U1	U2	PE
	L1	N	PE
Variant 1	Black	White	Green
Variant 2	Brown	Blue	Ye/Gn

# ACLARACIÓN DE LOS SÍMBOLOS

## Símbolos en la máquina:

¡ATENCIÓN! La máquina, si se utiliza de forma errónea o descuidada, puede ser una herramienta peligrosa que puede causar daños graves e incluso la muerte al usuario y a otras personas.



Lea detenidamente el manual de instrucciones y asegúrese de entender su contenido antes de utilizar la máquina.



Utilice el equipo de protección personal. Vea las instrucciones bajo el título "Equipo de protección personal".



¡ATENCIÓN! Al amolar se genera polvo que puede causar daños por inhalación. Utilice una máscara respiratoria homologada. Procure que haya buena ventilación.



Arranque: Reduzca la presión entre el disco de amolado y el suelo empujando hacia abajo la empuñadura sin levantar la unidad de amolado del suelo.



Este producto cumple con la directiva CE vigente.



**Etiquetado ecológico.** El símbolo en el producto o en su envase indica que no se puede tratar este producto como desperdicio doméstico.



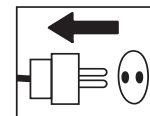
Haciendo que este producto sea manipulado adecuadamente, se ayuda a evitar consecuencias negativas potenciales para el medio ambiente y las personas, lo que puede ocurrir con la manipulación inadecuada como residuos del producto.

Para obtener información más detallada sobre el reciclado de este producto, contacte con la oficina municipal local, con el servicio de eliminación de desperdicios domésticos o con la tienda donde compró el producto.

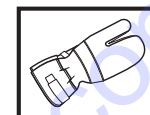
**Los demás símbolos/etiquetas que aparecen en la máquina corresponden a requisitos de homologación específicos en determinados mercados.**

## Símbolos en el manual de instrucciones:

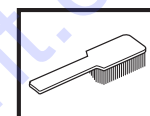
El control y/o mantenimiento de la máquina debe hacerse con el motor parado y el enchufe desenchufado.



Utilice siempre guantes protectores homologados.



La máquina debe limpiarse regularmente.



Control visual.



Debe utilizarse gafas protectoras o visor.



# ÍNDICE

## Índice

### ACLARACIÓN DE LOS SÍMBOLOS

Símbolos en la máquina: .....	20
Símbolos en el manual de instrucciones: .....	20

### ÍNDICE

Índice .....	21
--------------	----

### ¿QUÉ ES QUÉ?

Elementos de la amoladora .....	22
---------------------------------	----

### INSTRUCCIONES DE SEGURIDAD

Antes de utilizar una amoladora nueva .....	23
Equipo de protección personal .....	23
Instrucciones generales de seguridad .....	24

### MONTAJE

Ajuste la empuñadura. ....	26
Cambio de los diamantes .....	26
Conexión de la aspiradora .....	27
Transporte .....	27

### GUÍA PARA EL AMOLADO

Diamantes .....	28
Determinación de la dureza del hormigón .....	29
Selección de diamantes .....	29
Sentido de rotación del motor .....	31

### ARRANQUE Y PARADA

Antes de arrancar .....	32
Arranque .....	32
Parada .....	32

### MANTENIMIENTO

Fallos y localización de fallos .....	33
Mantenimiento .....	33
Servicio .....	33

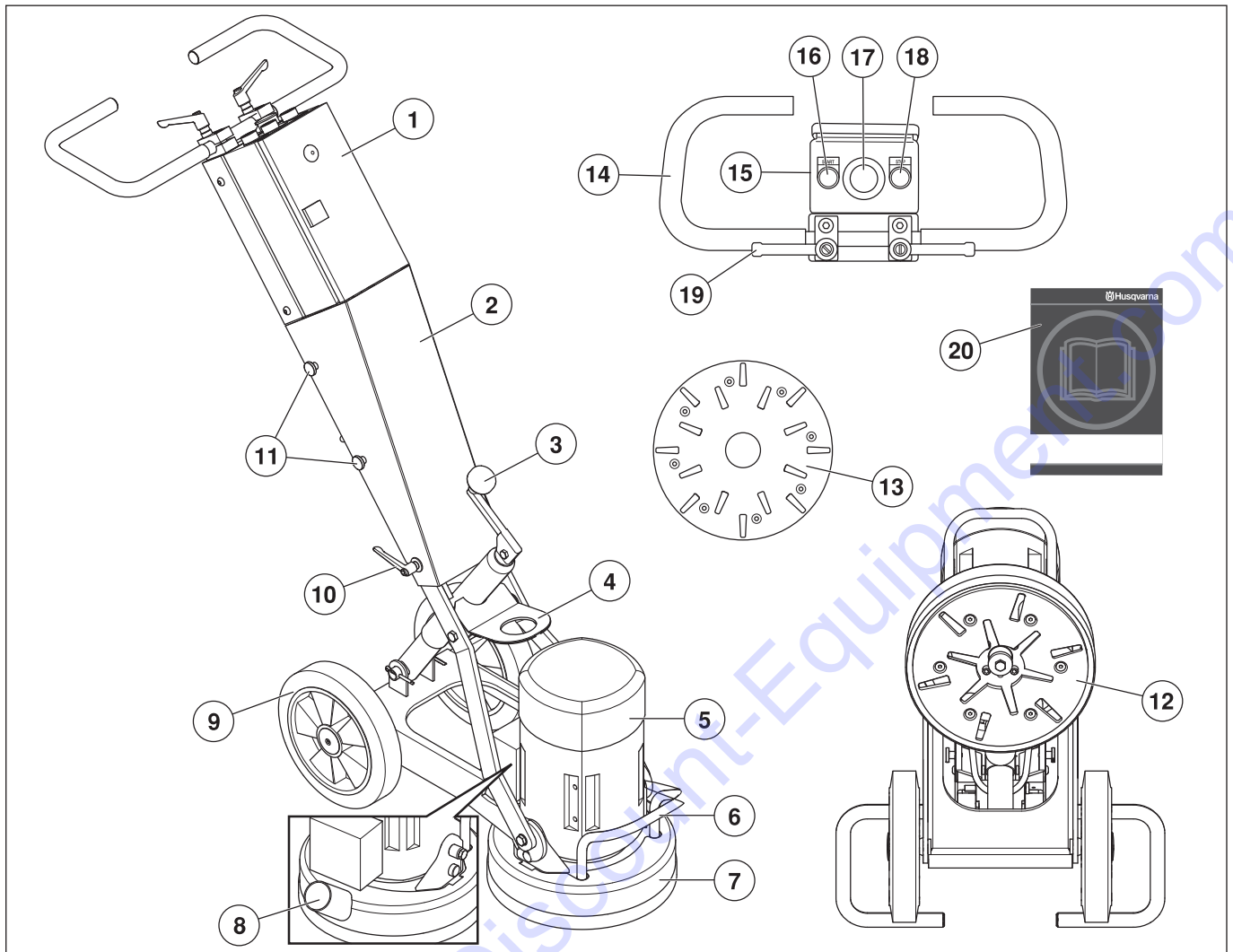
### DATOS TÉCNICOS

PG 280 .....	34
PG 400 .....	34
Declaración CE de conformidad .....	35

### ESQUEMA DE CONEXIONES ELÉCTRICAS

Trifásica .....	36
Monofásico .....	37

# ¿QUÉ ES QUÉ?



## Elementos de la amoladora

- |    |                                             |    |                                              |
|----|---------------------------------------------|----|----------------------------------------------|
| 1  | Caja eléctrica                              | 11 | Tornillos de la cubierta                     |
| 2  | Cubierta                                    | 12 | Unidad de amolado - PG 280                   |
| 3  | Cigüeñal para ajustar la presión de amolado | 13 | Unidad de amolado - PG 400                   |
| 4  | Cáncamo de elevación                        | 14 | Empuñadura / manillar                        |
| 5  | Motor eléctrico                             | 15 | Panel de control                             |
| 6  | Asa de levantar                             | 16 | Botón de arranque                            |
| 7  | Faldón                                      | 17 | Parada de emergencia                         |
| 8  | Conexión para la aspiradora                 | 18 | Botón de parada                              |
| 9  | Conjunto de eje con ruedas                  | 19 | Manija de cierre para el ajuste del manillar |
| 10 | Manija de cierre de la cubierta             | 20 | Manual de instrucciones                      |

# INSTRUCCIONES DE SEGURIDAD

## Antes de utilizar una amoladora nueva

- Lea detenidamente el manual de instrucciones y asegúrese de entender su contenido antes de utilizar la máquina.
- Las amoladoras PG 400 y PG 280 están diseñadas para eliminar los residuos superficiales de cola / adhesivo, masilla y productos semejantes en suelos de hormigón, así como para amolar y alisar suelos de hormigón.
- La máquina puede ocasionar lesiones graves. Lea atentamente las instrucciones de seguridad. Aprenda a utilizar la máquina.
- Sólo deberá manejar la maquinaria aquel personal que haya recibido la formación necesaria, tanto práctica como teórica acerca de su uso.

## Emplee siempre el sentido común

Es imposible abarcar todas las situaciones en las que puede encontrarse. Utilice siempre el equipo con cuidado y sentido común. Evite todas aquellas situaciones que considere que sobrepasan sus capacidades. Si, después de leer estas instrucciones, no está seguro del procedimiento que debe seguir, consulte a un experto antes de utilizar el equipo.

No dude en ponerse en contacto con su distribuidor si tiene preguntas acerca del uso de la máquina. Estaremos encantados de poder aconsejarle y ayudarle a utilizar la máquina de manera eficaz y segura.

Diríjase a su distribuidor de Husqvarna para que revise la máquina regularmente y para que realice ajustes y reparaciones básicas.

Toda la información y todos los datos contenidos en este manual de instrucciones son vigentes en la fecha de impresión del manual.



**¡ATENCIÓN! No está permitido modificar el diseño original de la máquina, por ningún motivo, sin la autorización del fabricante. Utilice siempre accesorios originales. Las modificaciones y/o el uso de accesorios no autorizados comportan riesgo de daños personales graves y peligro de muerte para el usuario y otras personas.**



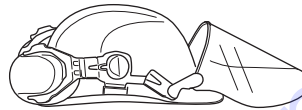
**¡ATENCIÓN! El uso de productos de corte, amolado, taladrado, lijado o formación de materiales puede generar polvo y vapores que pueden contener productos químicos perniciosos. Averigüe la índole del material de trabajo y utilice una máscara contra polvo o respiratoria adecuada.**

## Equipo de protección personal

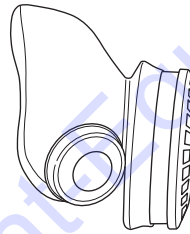


**¡ATENCIÓN! Para trabajar con la máquina debe utilizarse un equipo de protección personal homologado. El equipo de protección personal no elimina el riesgo de lesiones, pero reduce su efecto en caso de accidente. Pida a su distribuidor que le asesore en la elección del equipo.**

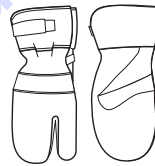
- Casco protector
- Protectores auriculares
- Gafas protectoras o visor



- Máscara respiratoria



- Guantes resistentes de agarre seguro.



- Prendas de vestir ceñidas, resistentes y cómodas que permitan una libertad de movimientos total.



- Botas con puntera de acero y suela antideslizante.



- Tenga siempre a mano el equipo de primeros auxilios.



# INSTRUCCIONES DE SEGURIDAD

## Instrucciones generales de seguridad



**¡ATENCIÓN!** Este apartado trata las normas de seguridad básicas para trabajar con el dispositivo. Esta información no sustituye en ningún caso los conocimientos y la experiencia de un profesional. Si se encuentra en alguna situación que le haga sentirse inseguro, deténgase y consulte con un experto. Consulte a su distribuidor, al taller de servicio técnico o a un usuario experimentado. No emplee la máquina en aplicaciones para las que no se considere plenamente cualificado.

- No utilice la máquina sin haber leído y comprendido el contenido de este manual de instrucciones. **Conserve todas las advertencias e instrucciones para su consulta.**

## Seguridad en el área de trabajo

- No usar en condiciones climáticas desfavorables. Por ejemplo, niebla densa, lluvia, viento fuerte, frío intenso, etc.
- **Mantenga el área de trabajo limpia y bien iluminada.** Las zonas abarrotadas de cosas u oscuras favorecen los accidentes.
- La máquina no se usará en áreas donde haya posibilidad de incendios o explosiones.

## Seguridad eléctrica



**¡ATENCIÓN!** Existe siempre riesgo de sacudidas eléctricas al usar máquinas eléctricas. No usar la máquina en condiciones climáticas desfavorables y evitar el contacto del cuerpo con pararrayos y objetos metálicos. Seguir siempre las instrucciones del manual para evitar daños.

**Nunca conecte la máquina a una toma de corriente si el enchufe o el cable están dañados.**

- Compruebe que la tensión de red concuerda con la que se indica en la placa de características de la máquina.
- El control y/o mantenimiento de la máquina debe hacerse con el motor parado y el enchufe desenchufado.
- Apague siempre la máquina antes de desenchufarla.
- No arrastre la máquina nunca por el cordón y no quite nunca el enchufe tirando del cordón. Sujete el enchufe al desconectar el cable.
- Si se daña un cable, no utilice la máquina. Llévela a reparar a un taller de servicio oficial.
- La máquina no debe conducirse a profundidades cuyo nivel de agua alcance el equipamiento de la máquina. El equipamiento podría dañarse y la máquina puede tener corriente, lo que provocará lesiones personales.

## Instrucciones de conexión a tierra



**¡ATENCIÓN!** Si la conexión no es correcta, existe el riesgo de sacudida eléctrica. Póngase en contacto con un electricista cualificado para comprobar que la conexión a tierra es correcta.

**No modifique el enchufe. Si no se ajusta a la toma de corriente, solicite a un electricista cualificado que instale una toma adecuada. Compruebe que cumple la normativa local.**

**Si tiene dudas sobre las instrucciones de conexión a tierra, póngase en contacto con un electricista.**

- El aparato viene de serie con un cable y un enchufe de conexión a tierra y siempre debe conectarse a tierra. De este modo, en caso de anomalías de funcionamiento, se reduce el riesgo de sacudida eléctrica.
- No está permitido el uso de conectores.

## Cables alargadores y empalmes

- La marca del cable alargador debe ser igual o superior al valor que se indica en la placa de características de la máquina.
- Utilice cables alargadores de conexión a tierra.
- **Cuando trabaje con una herramienta eléctrica en exteriores, utilice un alargador indicado para este uso.** Utilizar un cable adecuado para su uso en exteriores reduce el riesgo de descarga eléctrica.
- La conexión con el cable alargador debe estar seca y separada del suelo.
- Manténgalo alejado de fuentes de calor, aceite, aristas vivas o piezas móviles. Los cables dañados o enredados incrementan el riesgo de descarga eléctrica.
- Compruebe que los cables están intactos y en buen estado. Si se daña un cable, no utilice la máquina. Llévela a reparar a un taller de servicio oficial.
- Un cable de alargue no debe usarse enrollado porque hay riesgo de sobrecalentamiento.
- Al emplear la máquina, hágalo con el cable detrás suyo para evitar dañarlo.



# INSTRUCCIONES DE SEGURIDAD

## Seguridad personal



**¡ATENCIÓN! La sobreexposición a las vibraciones puede provocar problemas circulatorios y dolencias de carácter nervioso, especialmente en personas con patologías circulatorias. Acuda a un médico si nota síntomas corporales que puedan relacionarse con la sobreexposición a las vibraciones. Son ejemplos de tales síntomas la pérdida de sensibilidad, el 'cosquilleo', las 'punzadas', el dolor, la pérdida o reducción de la fuerza normal o los cambios en el color y la superficie de la piel. Estos síntomas se presentan normalmente en dedos, manos y muñecas. Los síntomas pueden aumentar en temperaturas frías.**

- Utilice el equipo de protección personal. Vea las instrucciones bajo el título "Equipo de protección personal".
- Nunca utilice la máquina si está cansado, si ha ingerido alcohol o si toma medicamentos que puedan afectar la vista, su capacidad de discernimiento o el control del cuerpo.
- Nunca deje que terceros utilicen la máquina sin asegurarse primero de que hayan entendido el contenido de este manual de instrucciones.
- Todos los operadores deben ser formados en el empleo de la máquina. El propietario es responsable de la formación de los operadores.
- Las personas y los animales pueden distraer y hacer perder el control de la máquina. Por consiguiente, el operador debe estar siempre concentrado en su trabajo. No permita nunca que los niños utilicen la máquina ni permanezcan cerca de ella.
- Tener en cuenta que las ropas, el pelo largo y las joyas pueden atascarse en piezas móviles.
- Existe siempre riesgo de accidentes por apriete al trabajar con aparatos con piezas móviles. Respete las distancias de seguridad.
- Mantenga bajo vigilancia la máquina siempre que el motor esté en marcha.
- Al trabajar con las máquinas, procure siempre que haya alguien cerca, que pueda prestar ayuda en caso de accidente.
- Cerciórese siempre de tener una posición de trabajo segura y firme.

## Uso y cuidado

- Utilice la máquina solamente para el uso al que está destinada.
- Mantener todas las piezas en perfecto estado y comprobar que todos los elementos de fijación estén bien apretados.
- No utilice nunca una máquina defectuosa. Siga las instrucciones de mantenimiento, control y servicio de este manual. Algunas medidas de mantenimiento y servicio deben ser efectuadas por especialistas formados y cualificados. Vea las instrucciones bajo el título Mantenimiento.

- No modificar nunca los dispositivos de seguridad. Comprobar regularmente que funcionan como es debido. La máquina no se debe operar con dispositivos de seguridad defectuosos o ausentes.
- No utilice nunca una máquina que haya sido modificada de modo que ya no coincida con la configuración original.
- Utilizar siempre recambios originales. Póngase en contacto con su distribuidor para obtener más información.
- La máquina sólo se deberá arrancar cuando los cabezales desbastadores estén descansando en el suelo, a no ser que se esté efectuando un procedimiento de prueba tal y como se indica en este manual.
- La máquina no deberá ponerse en marcha sin el faldón de goma para el polvo. Es fundamental que se establezca una buena hermeticidad entre la máquina y el suelo, sobre todo cuando se trabaje en una aplicación de desbastado en seco.
- Durante el amolado, la máquina debe estar conectada a una aspiradora que succione el polvo.
- Cuando se cambien los discos desbastadores, asegúrese de que está desconectada la toma de corriente de la unidad pulsando el botón de parada de emergencia y desenchufando el cable de alimentación.
- Después de cada operación de amolado / pulimentación, extraiga siempre los útiles de diamante.
- Asegúrese de que el reborde de goma está intacto y limpio y de que queda colocado herméticamente contra el suelo. Si el reborde de goma está dañado, reemplácelo inmediatamente.
- El disco amoladora sigue girando durante un tiempo después de detener el motor. Continúe el amolado hasta que el ventilador se detenga por completo. Asegúrese de que el cabezal de amolado ha dejado de rotar antes de levantar la máquina.
- Cuando elimine cola, asfalto, pintura, etc., levante siempre la máquina y sepárela de la superficie después de utilizarla para que no se quede pegada al suelo debido al calor. Asegúrese de que el cabezal de amolado ha dejado de rotar antes de levantar la máquina.
- Los útiles de diamante pueden estar calientes después de utilizar la máquina. Deje que la máquina se enfríe antes de extraer los segmentos de diamante. Utilice guantes protectores.
- Utilice siempre la argolla de izada montada en la máquina para levantarla.
- Transporte siempre la máquina usando el mango de transporte y el manillar.

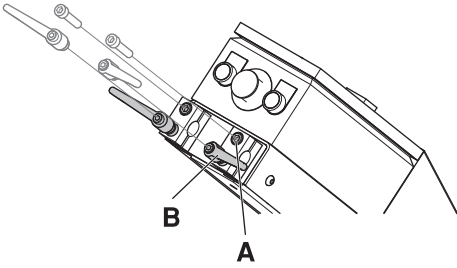
## Transporte y almacenamiento

- Sujete bien el equipo durante el transporte para evitar daños y accidentes.
- Transporte la máquina cubierta siempre que sea posible para reducir la exposición a la intemperie, especialmente a la lluvia y la nieve.
- Guarde el equipo en un lugar seguro fuera del alcance de los niños y las personas no autorizadas.
- La máquina deberá guardarse en un lugar seco, cuando no esté en uso.

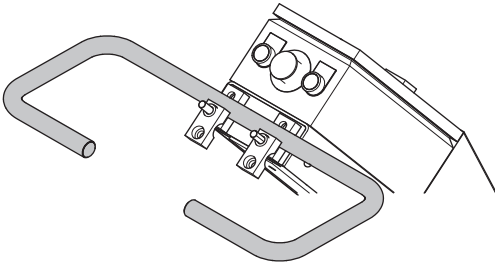
# MONTAJE

## Ajuste la empuñadura.

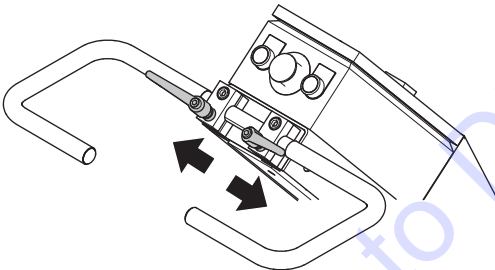
- Quite los tornillos (A).



- Retire las manijas de cierre (B).
- Coloque la empuñadura en el soporte para la empuñadura de la máquina.



- Monte los tornillos (A) y las manijas de cierre (B).
- Las manijas de cierre deberán estar situadas al lado del manillar para reducir el riesgo de deterioro de las mismas cuando la máquina esté en posición horizontal al cambiar las herramientas.



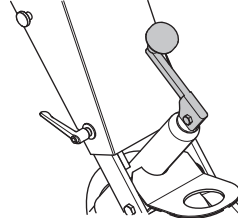
## Cambio de los diamantes



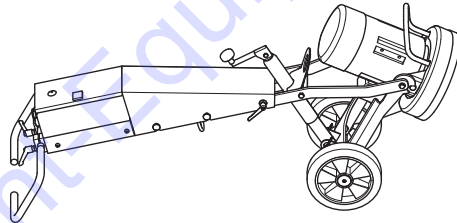
Apague la máquina y desconecte el enchufe.

Póngase unos guantes protectores, ya que los útiles de diamante pueden estar muy calientes.

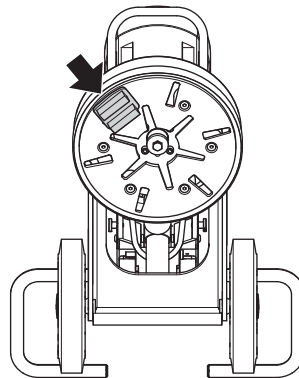
- Gire el manillar hasta que alcance la posición más alta.



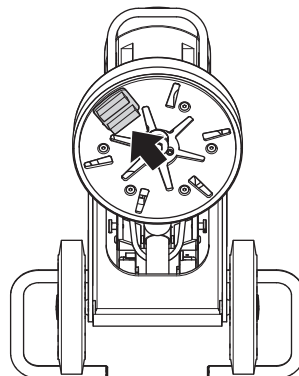
- Tire hacia atrás de la empuñadura para levantar el cabezal desbastador del suelo.
- Vuelva a poner la máquina en el suelo.



- Póngase los guantes.
- Utilice un martillo para retirar los segmentos de diamante.



- Fije los nuevos segmentos de diamante al disco amoladora.

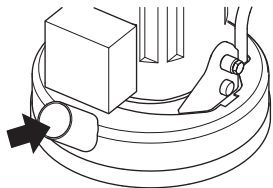


- Una vez que se hayan fijado los nuevos diamantes, lleve a cabo el procedimiento inverso para bajar la máquina al suelo.

# MONTAJE

## Conexión de la aspiradora

Conecte la aspiradora a la máquina. Utilice una manguera de 50 mm (2 pulgadas).

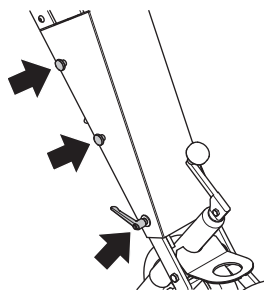


- Utilice un sistema de extracción de polvo de Husqvarna para eliminar todo el polvo.
- Asegúrese de que los filtros de la aspiradora están intactos y limpios. Tenga cuidado con el polvo durante la utilización de la máquina.
- Ajuste el reborde de goma para que esté en contacto con el suelo y capte el polvo de forma eficaz.

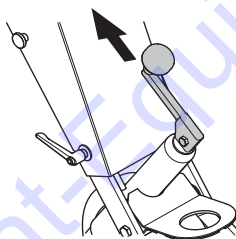
## Transporte

La máquina puede plegarse para minimizar el espacio necesario para el transporte.

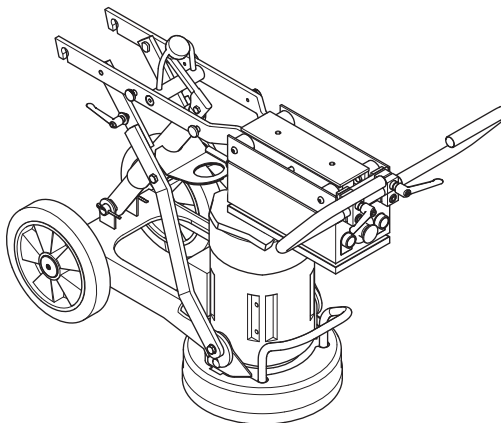
- Afloje los tornillos y la manija de cierre que mantienen la cubierta en su sitio.



- Quite la cubierta.
- Coloque el cigüeñal con la empuñadura orientada hacia arriba.



- Doble cuidadosamente la máquina hacia delante. Coloque un relleno entre el motor y la caja eléctrica para evitar dañar la máquina.



- La cubierta puede acoplarse a un lado de la máquina.

# GUÍA PARA EL AMOLADO

## Diamantes

### Antecedentes

Los abrasivos de diamantes suelen constar de dos componentes:

- Polvo de diamante (también conocido como cristales de diamante o arenilla). Al cambiar el grano del polvo de diamante o arenilla, podemos cambiar cómo van a ser de gruesos o finos los rasguños que se queden después del proceso de desbastado.
- Un aglutinante (metal o resina). El polvo de diamante se mezcla y se deja suspendido en un aglutinante de metal o resina. Cuando se deje suspendido en un aglutinante de metal, se llamará al producto final ligamento metálico o segmento de diamante sinterizado. Cuando esté suspendido en un aglutinante de resina, el producto final se denominará segmento de diamante de ligamento de resina o almohadilla. Al cambiar la dureza del aglutinante, podemos cambiar lo rápido o lento que se gastará el abrasivo de diamante.

### Principios generales

Lo que sigue son reglas generales acerca de los segmentos de diamante en aplicaciones de desbastado. Como en todas las reglas generales, hay excepciones o casos en los que no es el caso.

#### Tamaño del polvo de diamante

El cambio de tamaño del polvo de diamante a una partícula/tamaño de polvo más pequeño afectará a las prestaciones de la herramienta de diamantes de las siguientes formas:

- Creará una pauta de rasguños más fina.
- Se aumentará la vida de la herramienta de diamantes.

Ocurrirá lo contrario si se cambia a una partícula/tamaño de polvo más grande.

#### Aglutinante

Al aumentar la dureza del ligamento:

- Creará una pauta de rasguños más fina.
- Se aumentará la vida de la herramienta de diamantes.
- Decrecerá la tasa de producción.

Ocurrirá lo contrario cuando se haga un ligamento metálico o de resina más suave).

#### Número de segmentos de diamante

Si se aumenta el número de segmentos debajo de la máquina:

- Se reducirá la presión en cada segmento de diamantes individual. – Se reducirá el ritmo de desgaste en los segmentos de diamantes.
- Se reducirá la carga sobre la máquina y provocará que la desbastadora absorba menos corriente.
- Creará una pauta de rasguños más suave (sobre todo en suelos blandos).

Ocurrirá lo contrario cuando se reduzca el número de segmentos debajo de la máquina.

### Resumen de principios del diamante

Los segmentos de diamantes necesitan desgastarse para lograr productividad. El desgaste del segmento de diamantes puede depender de los siguientes factores:

- Presión.
- Dureza del ligamento.
- Tamaño del polvo de diamante.
- Número de segmentos debajo de la máquina.
- Si se añade un abrasivo adicional (p.ej. arena, carburo de silicona) en el suelo se aumentará el desgaste.

En general, cuanto más deprisa se desgaste un segmento de diamantes, mayor será la productividad. Al variar los citados factores, también se podrán hacer cambios para influir sobre lo siguiente:

- Pauta de rasguños.
- Absorción de corriente de la máquina.
- Grado de allanado del suelo (véase sección siguiente).
- Facilidad de manejo.

## Determinación de la dureza del hormigón

Todo hormigón se mide por su resistencia a la compresión y, dependiendo de qué zona del mundo sea cada uno, se medirá por diferentes índices de resistencia a la compresión (p.ej. PSI y MPa). En general, cuanto mayor sea el grado de resistencia a la compresión, más duro será el hormigón y, por lo tanto, más difícil será de desbastar.

Sin embargo, además del grado de resistencia a la compresión hay otros factores que determinan cómo es de duro un suelo y, por lo tanto, la selección correcta de diamantes. Como el desbastado normalmente sólo se aplica a la superficie de hormigón (parte superior 5mm o 1/4 pulgada), a menudo la manera en la que se ha acabado el suelo de hormigón o el estado de la superficie tendrá un mayor peso sobre qué tipo de diamante seleccionar que el grado de resistencia a la compresión del hormigón.

### Factores de la superficie a considerar al seleccionar un diamante

En general, si una superficie de hormigón es muy suave (es decir, probablemente se haya allanado/pulido enormemente), el hormigón se comportará como si tuviera una elevada resistencia a la compresión y, por tanto, necesita un segmento de ligamento blando.

Conforme a ello, si una superficie es basta/agresiva (p.ej. dañada por la lluvia, rota por disparos, escarifi - cada, conglomerado expuesto, etc.), el hormigón se comportará como si tuviera una baja resistencia a la compresión y, por tanto, necesita un segmento de ligamento duro.

Los revestimientos/contaminantes de la superficie (p.ej. revestimientos epoxi, adhesivos de baldosas de cerámica, nivelación de compuestos/capas de mortero) tendrán a menudo un mayor peso en la selección del diamante que la resistencia a la compresión del hormigón.

Por regla general, cuando se desbaste un bloque de hormigón por primera vez y no esté seguro de su dureza, empiece siempre con diamantes de ligamento más duro debajo de la máquina. Esto garantizará la menor cantidad de desgaste de los segmentos de diamantes. Si un segmento de diamantes duros no es adecuado para la aplicación, todo lo que habrá supuesto habrá sido un poco de tiempo, sin desgastar los diamantes.

Si se hace de la forma contraria (es decir, se usa un segmento blando para empezar) y el hormigón es blando o posee una superficie abrasiva o un contaminante de superficie, es muy posible que desgaste una cantidad considerable de diamante en un período muy corto de tiempo.

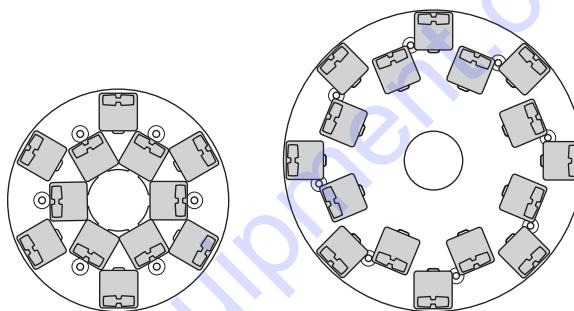
## Selección de diamantes

La forma en la que los segmentos de diamante están configurados en la unidad de amolado influirá enormemente en el rendimiento de la máquina y los niveles de productividad, así como en la calidad del acabado del suelo.

Existen diferentes configuraciones de diamante posibles con los modelos PG 400 y PG 280.

### Discos diamantados con ligante de metal

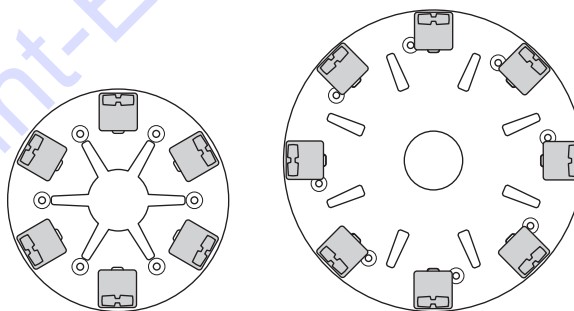
#### Juego completo: fila interior y exterior



PG 280

PG 400

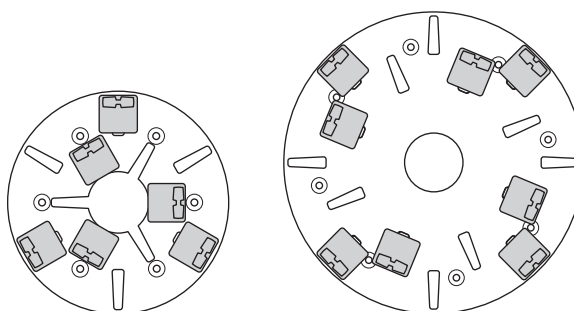
#### Juego completo: fila exterior



PG 280

PG 400

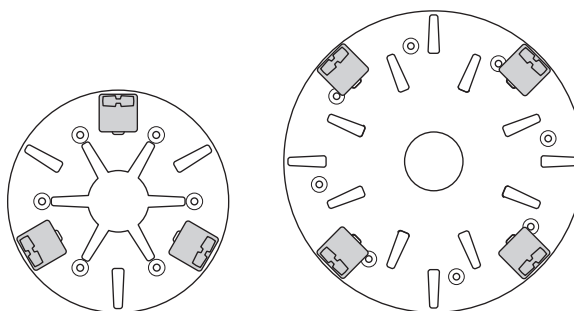
#### Medio juego: fila interior y exterior



PG 280

PG 400

#### Medio juego: fila exterior



PG 280

PG 400

# GUÍA PARA EL AMOLADO

**Seleccione los discos diamantados con ligante de metal adecuados para la aplicación concreta.**

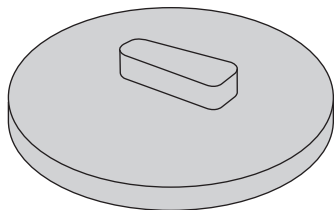
A continuación, le ofrecemos algunas sugerencias para las configuraciones básicas de los discos diamantados con ligante de metal.

Campo de aplicación	Ligamento metálico	Tamaño de polvo	Juego completo: fila interior y exterior	Juego completo: fila exterior	Medio juego: fila interior y exterior	Medio juego: fila exterior
Allanamiento suelo – Hormigón duro	Blando	16 o 30	X			
Allanamiento suelo – Hormigón medio	Medio	16 o 30	X			
Allanamiento suelo – Hormigón blando	Duro	16 o 30	X			
Extracción de adhesivo de baldosa de cerámica	Medio	PIRANHA™ o 16-30	X			
Extracción de pegamento de moqueta o vinilo – Hormigón duro	Blando	PIRANHA™ o 16-30			X	X
Extracción de pegamento de moqueta o vinilo – Hormigón medio	Medio	PIRANHA™ o 16-30			X	X
Extracción de pegamento de moqueta o vinilo – Hormigón blando	Duro	PIRANHA™ o 16-30			X	X
Extracción de pintura epoxi – Hormigón duro	Blando	PIRANHA™ o 16-30		X	X	
Extracción de pintura epoxi – Hormigón medio	Medio	PIRANHA™ o 16-30		X		
Extracción de pintura epoxi – Hormigón blando	Duro	PIRANHA™ o 16-30		X		
Hormigón dañado por la lluvia	Duro	16-30	X		X	
Alisado conglomerado expuesto	Duro	16-30	X		X	
Extracción de irregularidades en baldosas de terrazo / piedra	Blando	30 o 60	X			
Pulido de superficie de suelos de hormigón – Hormigón duro	Blando	60			X	X
Pulido de superficie de suelos de hormigón – Hormigón medio	Medio	60			X	X
Pulido de superficie de suelos de hormigón – Hormigón blando	Duro	60			X	X
Desbastado de conglomerado expuesto en hormigón – Hormigón duro	Blando	16-30	X	X	X	
Desbastado de conglomerado expuesto en hormigón – Hormigón medio	Medio	16-30	X	X	X	
Desbastado de conglomerado expuesto en hormigón – Hormigón blando	Duro	16-30	X		X	
Allanamiento de ondulación en suelos de hormigón – Hormigón duro	Blando	16 o 30	X	X	X	
Allanamiento de ondulación en suelos de hormigón – Hormigón medio	Medio	16 o 30	X		X	
Allanamiento de ondulación en suelos de hormigón – Hormigón blando	Duro	16 o 30	X		X	

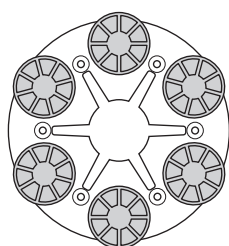
# GUÍA PARA EL AMOLADO

## Discos diamantados con ligante de resina

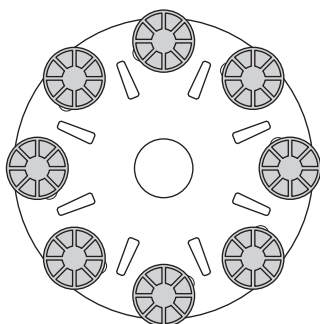
Adaptador para la adherencia con resina Redi Lock



**Juego completo: fila exterior**

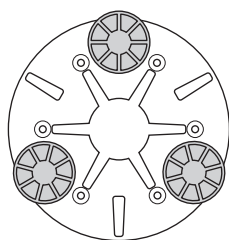


PG 280

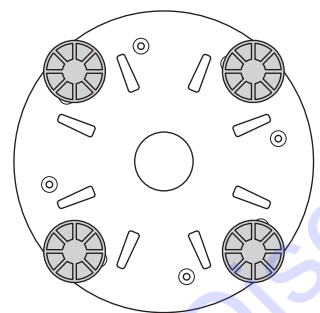


PG 400

**Medio juego: fila exterior**



PG 280



PG 400

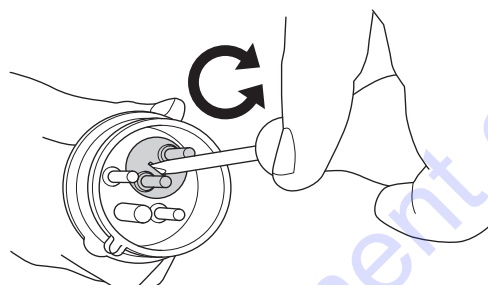
Seleccione la configuración de disco diamantado con ligante de resina adecuada para la aplicación concreta.

Campo de aplicación	Juego completo: fila exterior	Medio juego: fila exterior
Pulimentación de baldosas de terrazo / piedra	X	
Repavimentación de baldosas de terrazo / piedra		X
Pulido de superficie de suelos de hormigón – Hormigón duro		X
Pulido de superficie de suelos de hormigón – Hormigón medio		X
Pulido de superficie de suelos de hormigón – Hormigón blando		X

## Sentido de rotación del motor (Trifásica)

Podrá modificarse el sentido de rotación del motor invirtiendo los polos del enchufe.

¡ATENCIÓN! Las herramientas Piranha / PCD están diseñadas para funcionar en una única dirección.

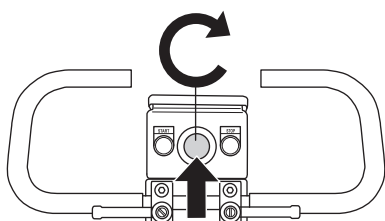


# ARRANQUE Y PARADA

## Antes de arrancar



- Coloque la desbastadora en la zona de trabajo.
- Asegúrese de que hay diamantes en la parte inferior de la máquina y de que están firmemente ajustados.
- Conecte la aspiradora a la máquina.
- Utilice manijas de cierre para el ajuste del manillar haciendo así más cómoda la altura de trabajo.
- Enchufe la toma de corriente a la máquina.
- Compruebe que el botón de parada de emergencia no está pulsado girándolo en el sentido de las agujas del reloj.

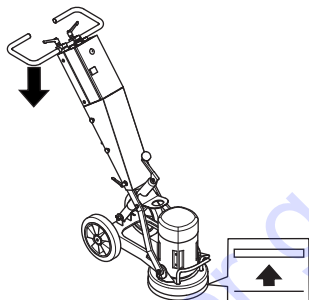


- Compruebe el sentido de rotación del motor.

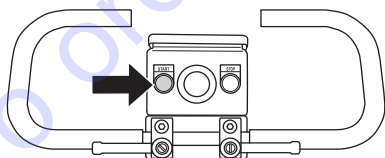
## Arranque



- Reduzca la presión entre el disco de amolado y el suelo empujando hacia abajo la empuñadura sin levantar la unidad de amolado del suelo.



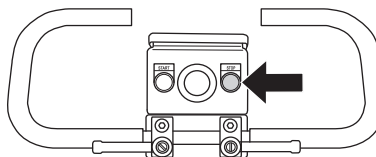
- Mantenga pulsado el botón de arranque durante unos segundos para arrancar la máquina.



## Parada



- Utilice el botón de parada para apagar la máquina.



- Mantenga los segmentos de amolado en contacto con el suelo al parar la máquina. Ello ayudará a que la máquina se pare completamente de forma rápida. No levante el cabezal de amolado del suelo al parar la máquina, ya que puede crear una cantidad considerable de polvo en el aire.
- Desconecte el enchufe.



# MANTENIMIENTO

## Fallos y localización de fallos

### La máquina no funciona

- Compruebe el suministro eléctrico y los cables de alimentación para asegurarse de que no están dañados.
- Compruebe que el botón de parada de emergencia no está pulsado girándolo en el sentido de las agujas del reloj.

### Es difícil sujetar la máquina

- No hay suficientes diamantes debajo de la máquina (si hay una capa espesa de cola de desbastado o suelos blandos, una cantidad insuficiente de diamantes debajo de la máquina incrementará enormemente la carga sobre la desbastadora y el operador). Esto suele ir acompañado de un alto consumo de corriente por parte del motor.

Aumente el número de diamantes debajo de la máquina para reducir la carga sobre la desbastadora y el operador.

### La máquina está dando saltos

- Las almohadillas amortiguadoras de caucho de la unidad de amolado pueden desgastarse o deteriorarse. Compruebe su estado y cámbielas si es necesario.
- Los diamantes pueden estar instalados incorrectamente o a diferentes alturas. Compruebe y asegúrese de que todos los diamantes están ajustados correctamente y son de la misma altura.

### La máquina se detiene después de funcionar brevemente

- La máquina está sobrecargada y se ha activado la protección contra sobrecarga. Reduzca la carga. La máquina se reactivará después de aproximadamente un minuto cuando el motor se haya enfriado.

### La máquina se detiene al arrancar

- El motor eléctrico está sobrecargado o falta una fase. Deje que la máquina se reinicie durante uno o dos minutos e inténtelo de nuevo. Si esto no ayuda, acuda a un taller de servicio oficial.

## Mantenimiento



**¡IMPORTANTE!** El control y/o mantenimiento de la máquina debe hacerse con el motor parado y el enchufe desenchufado.

Usada correctamente, la máquina tiene un mantenimiento extremadamente bajo y gran fiabilidad.

### Limpieza



Desenchufe siempre el enchufe antes de efectuar trabajos de limpieza, mantenimiento o montaje de la máquina.

Limpiar siempre todo el equipo después de cada turno de trabajo. No utilice un equipo de limpieza a alta presión para limpiar la máquina.

Para que la máquina tenga siempre una buena refrigeración, las aberturas de paso del aire refrigerante deben mantenerse libres y limpias.

### Almohadillas amortiguadoras de caucho.

Verifique las almohadillas amortiguadoras de caucho todos los meses. Cámbielas si es necesario.

### Suministro eléctrico



**¡ATENCIÓN!** No usar nunca cables dañados, puesto que pueden causar daños personales graves e incluso mortales.

Compruebe que el cable y el cable de empalme está intacto.

Si se daña el cable, no utilice la máquina. Llévela a un taller de servicio oficial para reparar.

### Faldón

Asegúrese de que el reborde de goma está intacto y limpio y de que queda colocado herméticamente contra el suelo. Si el reborde de goma está dañado, reemplácelo inmediatamente.

### Servicio



**¡IMPORTANTE!** Las reparaciones de todo tipo deben ser efectuadas por técnicos autorizados, únicamente. De este modo se evita someter a los operadores a grandes riesgos.

# DATOS TECNICOS

## PG 280

	PG 280 (Trifásica, 380-480V)		PG 280 (Monofásico, 220-240V)		PG 280 (Monofásico, 100-120V)	
	50 Hz	60 Hz	50 Hz	60 Hz	50 Hz	60 Hz
Potencia del motor, kW/CV	3,0/4,0		2,2/3,0	2,2/3,0	1,5/2,0	1,5/2,0
Amperaje nominal, A	6		13	13	18	18
Tensión nominal, V	380-480		220-240	220-240	100-120	100-120
Peso, kg/lb	70/154		70/154	70/154	70/154	70/154
Anchura de desbastado, mm/pulgadas	280/11		280/11	280/11	280/11	280/11
Presión de desbastado, kg/lbs	35/77		35/77	35/77	35/77	35/77
Velocidad, r/min	2800		1400	1720	960	1160
<b>Emisiones de ruido (vea la nota 1)</b>						
Nivel de potencia acústica medido dB(A)	107		107	107	107	107
Nivel de potencia acústica garantizado $L_{WA}$ dB(A)	108		108	108	108	108
<b>Niveles acústicos (vea la nota 2)</b>						
Nivel de presión acústica en el oído del usuario, dB(A)	89		89	89	89	89
<b>Niveles de vibraciones (vea la nota 3)</b>						
Empuñadura derecha, $m/s^2$	3,4		3,4	3,4	3,4	3,4
Empuñadura izquierda, $m/s^2$	3,4		3,4	3,4	3,4	3,4

## PG 400

	PG 400 (Trifásica, 200-240V)		PG 400 (Trifásica, 380-480V)		PG 400 (Monofásico, 220-240V)	
	50 Hz	60 Hz	50 Hz	60 Hz	50 Hz	60 Hz
Potencia del motor, kW/CV	4,0/5,4	4,8/6,5	4,0/5,4	4,8/6,5	3,0/4,0	3,0/4,0
Amperaje nominal, A	15	15	9	9	16	18
Tensión nominal, V	200-240	200-240	380-480	380-480	220-240	220-240
Peso, kg/lb	115/254	115/254	115/254	115/254	115/254	115/254
Anchura de desbastado, mm/pulgadas	400/16	400/16	400/16	400/16	400/16	400/16
Presión de desbastado, kg/lbs	65/143	65/143	65/143	65/143	65/143	65/143
Velocidad, r/min	1430	1720	1430	1720	960	1160
<b>Emisiones de ruido (vea la nota 1)</b>						
Nivel de potencia acústica medido dB(A)	107	107	107	107	107	107
Nivel de potencia acústica garantizado $L_{WA}$ dB(A)	108	108	108	108	108	108
<b>Niveles acústicos (vea la nota 2)</b>						
Nivel de presión acústica en el oído del usuario, dB(A)	89	89	89	89	89	89
<b>Niveles de vibraciones (vea la nota 3)</b>						
Empuñadura derecha, $m/s^2$	3,4	3,4	3,4	3,4	3,4	3,4
Empuñadura izquierda, $m/s^2$	3,4	3,4	3,4	3,4	3,4	3,4

Nota 1: Emisiones sonoras en el entorno medidas como potencia sonora ( $L_{WA}$ ) según la norma EN 61029-1.

Nota 2: Nivel de presión sonora conforme a EN 61029-1. Los datos referidos del nivel de presión sonora tienen una dispersión estadística habitual (desviación estándar) de 1,0 dB(A).

Nota 3: Nivel de vibración conforme a EN 61029-1. Los datos referidos del nivel de vibración poseen una dispersión estadística habitual (desviación típica) de 1  $m/s^2$ .

**TO PURCHASE THIS PRODUCT PLEASE CONTACT US**



**Equipment Financing and  
Extended Warranties Available**



**Discount-Equipment.com is your online resource for  
commercial and industrial quality parts and equipment sales.**

**561-964-4949**

**visit us on line @ [www.discount-equipment.com](http://www.discount-equipment.com)**

Select an option below to find your Equipment

**Search by Manufacturer**

**Search by Product Type**

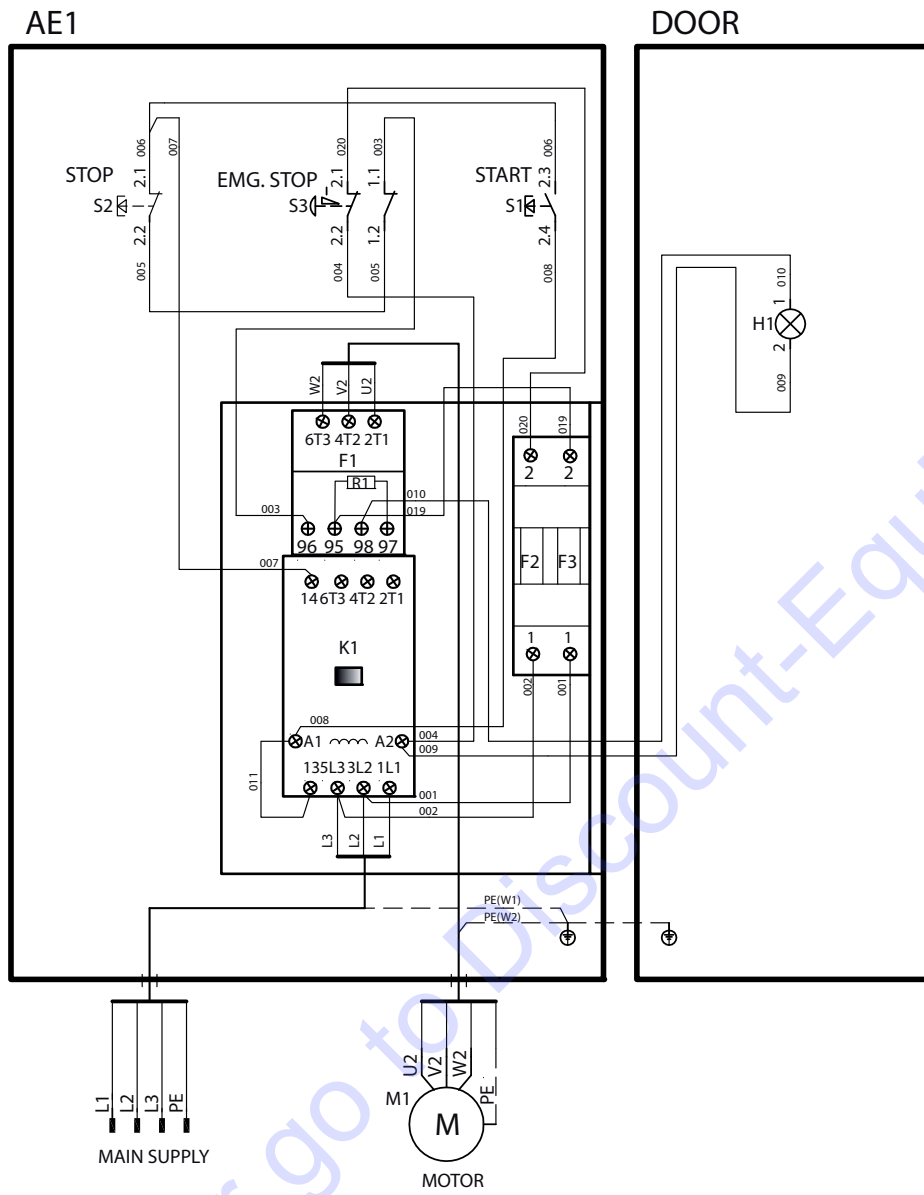
**Request a Quote**

We sell worldwide for the brands: Genie, Terex, JLG, MultiQuip, Mikasa, Essick, Whiteman, Mayco, Toro Stone, Diamond Products, Generac Magnum, Airman, Haulotte, Barreto, Power Blanket, Nifty Lift, Atlas Copco, Chicago Pneumatic, Allmand, Miller Curber, Skyjack, Lull, Skytrak, Tsurumi, Husquvarna Target, Stow, Wacker, Sakai, Mi-T-M, Sullair, Basic, Dynapac, MBW, Weber, Bartell, Bennar Newman, Haulotte, Ditch Runner, Menegotti, Morrison, Contec, Buddy, Crown, Edco, Wyco, Bomag, Laymor, EZ Trench, Bil-Jax, F.S. Curtis, Gehl Pavers, Heli, Honda, ICS/PowerGrit, IHI, Partner, Imer, Clipper, MMD, Koshin, Rice, CH&E, General Equipment, Amida, Coleman, NAC, Gradall, Square Shooter, Kent, Stanley, Tamco, Toku, Hatz, Kohler, Robin, Wisconsin, Northrock, Oztec, Toker TK, Rol-Air, APT, Wylie, Ingersoll Rand / Doosan, Innovatech, Con X, Ammann, Mecalac, Makinex, Smith Surface Prep, Small Line, Wanco, Yanmar

# ESQUEMA DE CONEXIONES ELÉCTRICAS

Trifásica

PG 280 / PG 400

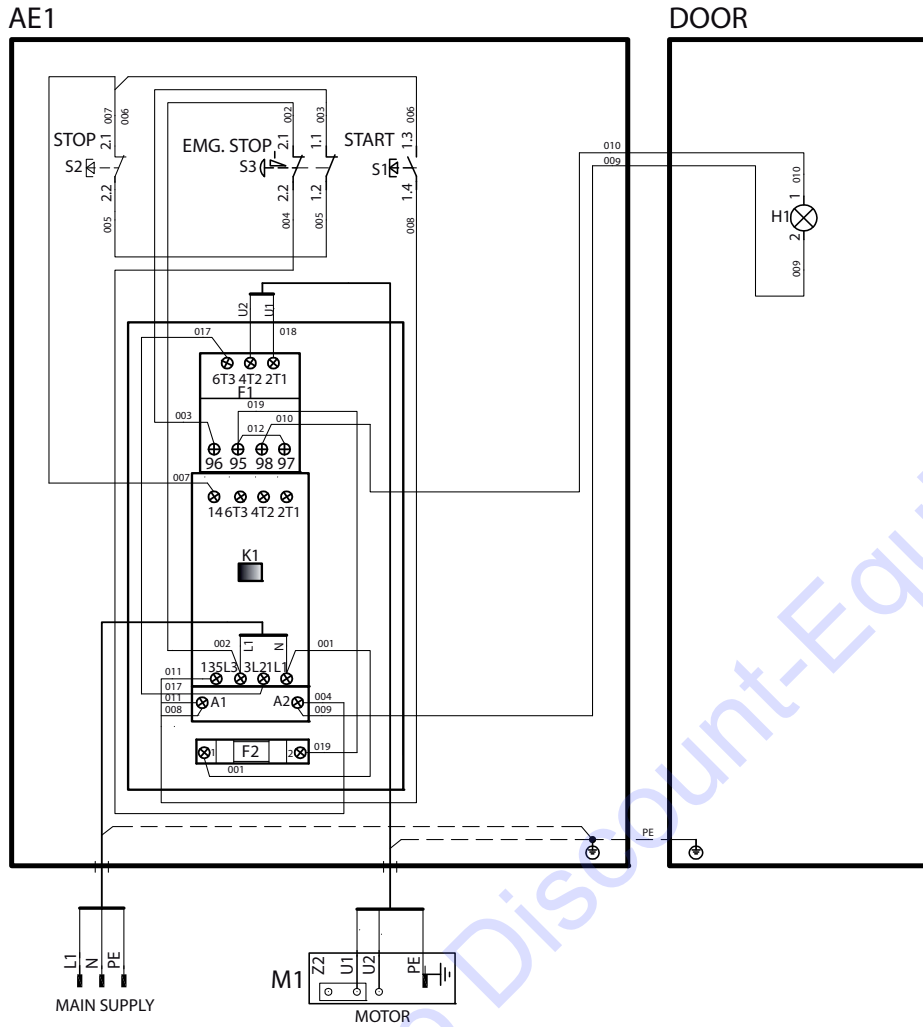


U2	V2	W2	PE
L1	L2	L3	PE
Variant 1	Black	Red	White
Variant 2	Brown	Black	Grey

# ESQUEMA DE CONEXIONES ELÉCTRICAS

## Monofásico

PG 280 / PG 400



# EXPLICAÇÃO DOS SÍMBOLOS

## Símbolos na máquina:

**ATENÇÃO!** A máquina, se for usada de forma indevida ou incorrecta, pode ser perigosa, causando sérios ferimentos ou mesmo a morte do utente ou outras pessoas.



Leia as instruções para o uso com toda a atenção e compreenda o seu conteúdo antes de fazer uso da máquina.



Use equipamento de protecção pessoal. Ver as instruções na secção "Equipamento de protecção pessoal".



**ATENÇÃO!** Durante os trabalhos de alisamento do pavimento produz-se poeira que, se respirada, pode causar lesões. Use protecção respiratória aprovada. Certifique-se de que haja boa ventilação.



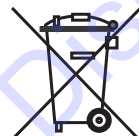
**Arranque:** Reduza a pressão entre o disco de desgaste e o chão empurrando o punho sem levantar a unidade do chão.



Este produto está conforme as directivas em validade da CE.



**Marca ambiental.** O símbolo no produto ou respectiva embalagem indica que este produto não pode ser processado como detritos domésticos.



Providenciando para que este produto seja processado de forma correcta, você pode contribuir para contrariar potenciais consequências negativas para o meio ambiente e pessoas, que caso contrário, podem ser provocadas pela gestão inadequada dos resíduos deste produto.

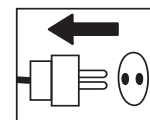


Para mais informação sobre a reciclagem deste produto, contacte os serviços competentes da sua autarquia, o serviço de recolha de resíduos domésticos ou o estabelecimento onde adquiriu o produto.

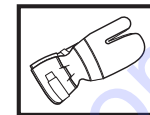
**Os restantes símbolos e autocolantes existentes na máquina dizem respeito a exigências específicas para homologação em alguns países.**

## Símbolos nas instruções para o uso:

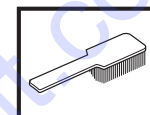
A inspecção e/ou manutenção é efectuada com o motor desligado e com a ficha de retirada da tomada de corrente.



Use sempre luvas de protecção aprovadas.



Limpeza periódica obrigatória.



Inspecção ocular.



Uso obrigatório de óculos ou viseira de protecção.



# ÍNDICE

## Índice

### EXPLICAÇÃO DOS SÍMBOLOS

Símbolos na máquina: ..... 38

Símbolos nas instruções para o uso: ..... 38

### ÍNDICE

Índice ..... 39

### COMO SE CHAMA?

Como se chama, na alisadora de pavimento? ..... 40

### INSTRUÇÕES DE SEGURANÇA

Antes de utilizar uma nova alisadora de pavimento ..... 41

Equipamento de protecção pessoal ..... 41

Instruções gerais de segurança ..... 42

### MONTAGEM

Coloque o punho ..... 44

Substituição dos diamantes ..... 44

Ligue o aspirador ..... 45

Transporte ..... 45

### GUIA DE ALISAMENTO

Diamantes ..... 46

Determinar a dureza do cimento ..... 47

Seleção de diamante ..... 47

Sentido de rotação do motor ..... 49

### ARRANQUE E PARAGEM

Antes de começar ..... 50

Arranque ..... 50

Paragem ..... 50

### MANUTENÇÃO

Falhas e sua resolução ..... 51

Manutenção ..... 51

Assistência ..... 51

### ESPECIFICAÇÕES TÉCNICAS

PG 280 ..... 52

PG 400 ..... 52

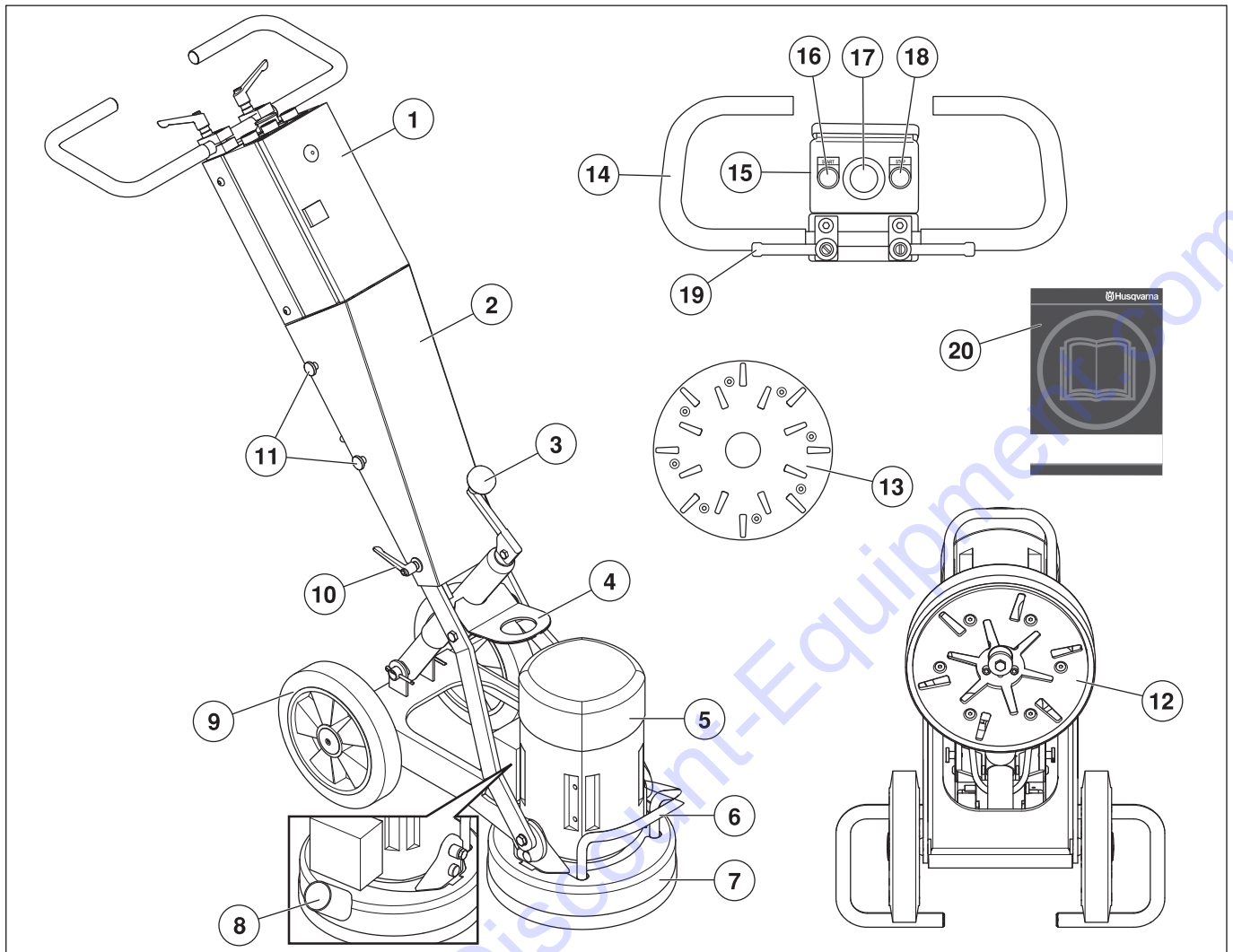
Certificado CE de conformidade ..... 53

### ESQUEMA ELÉCTRICO

Trifásico ..... 54

Monofásico ..... 55

## COMO SE CHAMA?



### Como se chama, na alisadora de pavimento?

- |                                               |                                                            |
|-----------------------------------------------|------------------------------------------------------------|
| 1 Caixa eléctrica                             | 11 Parafusos, cobertura                                    |
| 2 Cobertura                                   | 12 Unidade de desgaste - PG 280                            |
| 3 Manivela para ajustar a pressão de desgaste | 13 Unidade de desgaste - PG 400                            |
| 4 Argola de elevação                          | 14 Punho / Barra de direcção                               |
| 5 Motor eléctrico                             | 15 Painel de Controlo                                      |
| 6 Punho de levantamento                       | 16 Botão de arranque                                       |
| 7 Protecção                                   | 17 Paragem de emergência                                   |
| 8 Ligação a aspirador                         | 18 Botão de paragem                                        |
| 9 Conjunto de rodas                           | 19 Botão de bloqueio para ajustamento da barra de direcção |
| 10 Cobertura do botão de bloqueio             | 20 Instruções para o uso                                   |



# INSTRUÇÕES DE SEGURANÇA

## Antes de utilizar uma nova alisadora de pavimento

- Leia as instruções para o uso com toda a atenção e compreenda o seu conteúdo antes de fazer uso da máquina.
- As alisadoras de pavimento PG 400 e PG 280 foram concebidas para a remoção superficial de resíduos de cola/adeseivo, betumes e substâncias similares de pavimentos em cimento, bem como para o desgaste e o aplanamento de pavimentos em cimento.
- Esta máquina pode provocar acidentes pessoais graves. Leia as instruções de segurança cuidadosamente. Aprenda a utilizar como deve a máquina.
- Só deverá utilizar a máquina o pessoal que tenha recebido a formação necessária, tanto prática como teórica, relativamente à sua utilização.

## Use sempre o seu bom senso

Não é possível cobrir todas as situações possíveis que poderá enfrentar. Actue sempre com precaução e use de senso comum. Evite todas as situações que considere estarem para além das suas capacidades. Caso se sinta inseguro acerca dos procedimentos de operação depois de ler estas instruções, consulte um perito antes de prosseguir.

Não hesite em contactar o seu fornecedor, caso tenha quaisquer questões sobre a utilização desta máquina. Teremos todo o prazer em apoiá-lo e aconselhá-lo, bem como em ajudá-lo a utilizar a sua máquina de forma eficaz e segura.

Permita ao seu revendedor Husqvarna que verifique a sua máquina com regularidade e faça os ajustamentos e as reparações necessários.

Toda a informação e dados contidos nestas instruções para o uso eram válidos na data em que as instruções para o uso foram entregues para serem impressas.



**ATENÇÃO!** Em caso algum deverá a configuração original da máquina ser alterada sem autorização do fabricante. Use sempre acessórios genuínos. Modificações e/ou acessórios não autorizados podem provocar sérias lesões ou perigo de vida para o utilizador ou outros.



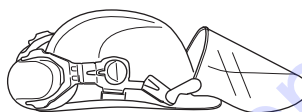
**ATENÇÃO!** O uso de equipamento para cortar, lixar, furar, polir ou deformar materiais pode provocar-se poeira ou vapores que contêm produtos nocivos. Procure informar-se sobre a composição do material em que está a trabalhar, e use uma máscara respiratória e protectora do rosto adequada.

## Equipamento de protecção pessoal

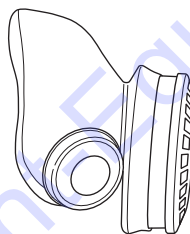


**ATENÇÃO!** Em quaisquer circunstâncias de utilização da máquina deve ser utilizado equipamento de protecção pessoal aprovado. O equipamento de protecção pessoal não elimina o risco de lesão mas reduz os seus efeitos em caso de acidente. Consulte o seu concessionário na escolha do equipamento.

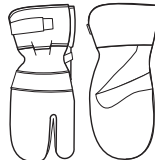
- Capacete de protecção
- Protectores acústicos
- Óculos ou viseira de protecção



- Máscara respiratória



- Luvas fortes e de agarre seguro.



- Vestuário justo, forte e confortável que permita total liberdade de movimentos.



- Botas com biqueiras de aço e solas antideslizantes.



- Os primeiros socorros devem sempre estar à mão.



# INSTRUÇÕES DE SEGURANÇA

## Instruções gerais de segurança



**ATENÇÃO!** Esta secção descreve as regras básicas de segurança para o trabalho com a máquina. A informação apresentada nunca substitui os conhecimentos, capacidades e a experiência de um profissional. Caso se encontre numa situação em que se sinta inseguro, interrompa o trabalho e consulte um especialista. Contacte o seu revendedor, a sua oficina de serviço ou um utilizador experiente. Evite toda a utilização para a qual não se sinta suficientemente habilitado!

- Não utilize a máquina sem primeiro ler e compreender o conteúdo deste Manual de Operação. **Guarde todos os avisos e instruções para referência futura.**

## Segurança no local de trabalho

- Evite usar a máquina em condições atmosféricas desfavoráveis. Por exemplo, nevoeiro denso, chuva, vento forte, frio intenso etc.
- **Mantenha a área de trabalho limpa e bem iluminada.** Áreas desarrumadas ou escuras convidam ao acidente.
- A máquina não deve ser utilizada em áreas onde exista a possibilidade de incêndios ou explosões.

## Segurança no manejo de electricidade



**ATENÇÃO!** Há sempre o risco de choques eléctricos ao trabalhar com máquinas eléctricas. Evite trabalhar com condições atmosféricas desfavoráveis e em contacto físico com pára-raios e objectos metálicos. Para evitar acidentes, siga sempre as instruções do manual de instruções.

**Não ligue nunca a máquina à tomada se a ficha ou o fio estiverem danificados.**

- Verifique se a tensão de rede coincide com a indicada na placa que se encontra na máquina.
- A inspecção e/ou manutenção é efectuada com o motor desligado e com a ficha de retirada da tomada de corrente.
- Desligue sempre a máquina antes de retirar a tomada da parede.
- Nunca arraste a máquina pelo cabo e nunca retire a ficha puxando pelo cabo. Pegue pela ficha para desligar o cabo de alimentação.
- Se algum cabo da máquina ou ficha estiverem danificados, não use a máquina e leve-a a uma oficina de reparações autorizada para ser reparada.
- Dentro de água, a máquina nunca deve ser conduzida até uma profundidade que atinja o seu equipamento. O equipamento pode ser danificado e a máquina poderá estar em funcionamento, o que pode provocar ferimentos pessoais.

## Instruções de ligação à terra



**ATENÇÃO!** A ligação inadequada resultará no risco de choque eléctrico. Contacte um electricista qualificado, caso não tenha a certeza se o dispositivo tem ligação à terra instalada correctamente.

**Não modifique a ficha. Se não encaixar na tomada, solicite a instalação de uma tomada adequada a um electricista qualificado. Certifique-se que todas as normas e regulamentos locais são cumpridas.**

**Se as instruções de ligação à terra não forem totalmente claras contacte um electricista qualificado.**

- A máquina encontra-se equipada com um cabo de alimentação e ficha que devem estar sempre ligadas a uma tomada com ligação à terra. Isto reduz o risco de choque eléctrico em caso de avaria.
- Não é permitida a utilização de adaptadores com a máquina.

## Fios e cabos de extensão

- A indicação no cabo de extensão deve ter um valor igual ou superior ao indicado na etiqueta de tipo da máquina.
- Utilize cabos de extensão com ligação à terra.
- **Ao manejar uma ferramenta eléctrica no exterior, use uma extensão eléctrica adequada para utilização em exteriores.** A utilização de uma extensão eléctrica adequada para utilização em exteriores reduz o risco de choque eléctrico.
- Mantenha a ligação ao cabo de extensão seca e sem contacto com o chão.
- Mantenha o fio eléctrico fora do alcance de calor, óleo, arestas cortantes ou peças em movimento. Fios eléctricos danificados ou emaranhados aumentam o risco de choque eléctrico.
- Verifique se os cabos estão intactos e em bom estado. Se algum cabo da máquina estiver danificado, não use a máquina e entregue-a a uma oficina de reparações autorizada para ser reparada.
- Não use uma extensão enquanto enrolada, para evitar sobreaquecimento.
- Quando começar a usar a máquina, certifique-se de que o fio se encontra atrás de si de modo ao fio não sofrer danos.

# INSTRUÇÕES DE SEGURANÇA

## Segurança pessoal



**ATENÇÃO! A sobreexposição a vibrações pode causar lesões cardiovasculares e nervosas a pessoas com problemas de circulação sanguínea. No caso de sentir sintomas físicos que o façam suspeitar de sobreexposição a vibrações, consulte um médico. Estes sintomas podem manifestar-se como torpor, ausência de sensibilidade, 'cócegas', 'picadelas', dor, falta ou redução de força normal, alterações de cor da pele ou da sua superfície. Estes sintomas manifestam-se normalmente nos dedos, nas mãos e nos punhos. Estes sintomas são mais evidentes a temperaturas baixas.**

- Use equipamento de protecção pessoal. Ver as instruções na secção "Equipamento de protecção pessoal".
- Nunca use a máquina se estiver cansado, se bebeu álcool ou se toma remédios que podem influir na sua visão, discernimento ou controlo sobre o corpo.
- Nunca permita que outra pessoa utilize a máquina sem estar certo de que a mesma entendeu o conteúdo do manual de instruções.
- Todos os operadores deverão ser instruídos sobre como usar a máquina. É da responsabilidade do proprietário que os operadores recebam instrução.
- Pessoas e animais podem distraí-lo de forma a perder o controlo sobre a máquina. Por isso, esteja sempre concentrado e atento à sua tarefa. Não permita nunca que uma criança use a máquina ou se encontre na proximidade da mesma.
- Tenha cuidado com peças de vestuário, cabelos compridos e adornos, dado que podem prender-se em componentes móveis.
- Ao trabalhar com produtos com peças móveis, há sempre o risco de esmagamento. Mantenha a distância de segurança!
- Não deixe nunca a máquina sem vigilância com o motor a trabalhar.
- Ao usar a máquina, trate sempre de ter mais alguém perto de si, de modo a poder pedir ajuda no caso de ocorrer um acidente.
- Certifique-se de que tem uma posição de trabalho segura e estável.

## Utilização e manutenção

- Use a máquina somente para as funções a que a mesma se destina.
- Mantenha todas as peças em bom estado de funcionamento e certifique-se de que todos os elementos de fixação estão bem apertados.
- Nunca use uma máquina defeituosa. Siga as instruções de manutenção, controlo e assistência técnica destas instruções para o uso. Alguns serviços de manutenção e de assistência técnica deverão ser executados por especialistas qualificados. Ver as instruções na secção Manutenção.

- Não modifique nunca os dispositivos de segurança. Verifique periodicamente se funcionam correctamente. Não é permitido usar a máquina com os dispositivos de segurança defeituosos ou desmontados.
- Nunca use uma máquina que foi modificada a ponto de não mais corresponder à construção original.
- Devem usar-se sempre acessórios originais. Contacte o seu revendedor para mais informações.
- A máquina só deve ser colocada em funcionamento quando as cabeças rectificadoras estiverem pousadas no chão, a não ser que esteja a realizar um procedimento de teste conforme descrito neste manual.
- A máquina não deve ser colocada em funcionamento sem a protecção de borracha contra poeiras. É essencial a existência de um bom vedante entre a máquina e o chão em matéria de segurança, especialmente quando estiver a funcionar em aplicações de rectificação seca.
- Durante o procedimento de desgaste, a máquina deve ser ligada a um aspirador, para aspirar o pó.
- Quando mudar os discos rectificadores assegure-se de que a alimentação eléctrica da unidade está OFF (desligada) activando o botão de Paragem de Emergência e desligando a ficha eléctrica.
- Depois de cada operação de desgaste/polimento, remova sempre as ferramentas de diamante.
- Assegure-se que a saia de borracha se encontra intacta e limpa, e que assenta bem sobre o chão. Uma saia de borracha danificada deve ser sempre substituída.
- O disco de desgaste continua a rodar durante algum tempo depois do motor ter parado. Mantenha a acção de desgaste até que a ventoinha tenha parado completamente. Assegure-se que a cabeça de desgaste parou de rodar antes de levantar a máquina.
- Ao remover cola, asfalto, tinta, etc., levante sempre a máquina da superfície depois de a utilizar, para evitar que esta fique colada ao chão devido ao calor. Assegure-se que a cabeça de desgaste parou de rodar antes de levantar a máquina.
- As ferramentas de diamante poderão estar muito quentes depois da utilização. Espere que a máquina arrefeça antes de remover os segmentos de diamante. Utilize luvas de protecção.
- Utilize sempre a pega de levantamento montada na máquina para a levantar.
- Transporte sempre a máquina pelo punho de transporte e pelo punho.

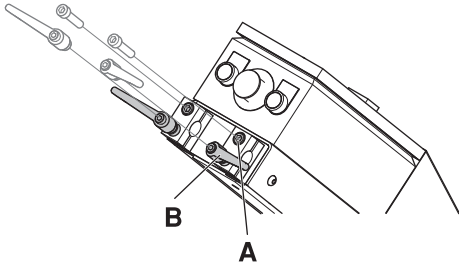
## Transporte e armazenagem

- Fixe o equipamento para transportá-lo, de modo a evitar danos e acidentes durante o transporte.
- Sempre que possível, a máquina deverá ser transportada coberta, limitando-se a exposição aos elementos naturais – em particular chuva ou neve.
- Armazene o equipamento numa área que seja possível de trancar, de modo a mantê-lo fora do alcance de crianças e pessoas não autorizadas.
- A máquina deve ser sempre armazenada num local seco quando não estiver a ser utilizada.

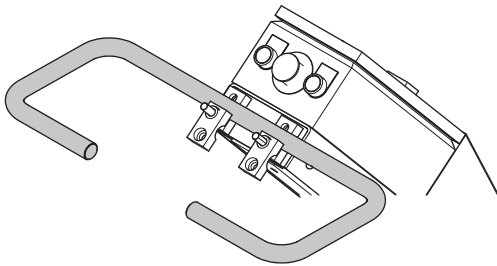
# MONTAGEM

## Coloque o punho

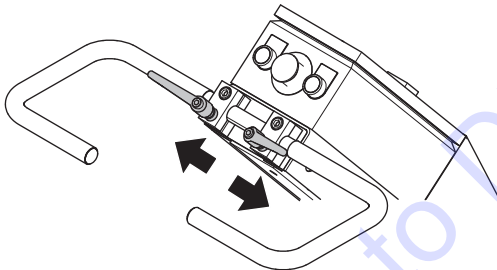
- Retire os parafusos (A).



- Retire os botões de bloqueio (B).
- Monte o punho no suporte de altura regulável da máquina.



- Montar os parafusos (A) e os botões de bloqueio (B).
- Os botões de bloqueio devem ser posicionados ao longo da barra de direcção, para reduzir o risco de danificar os botões quando a máquina é pousada ao trocar as ferramentas.



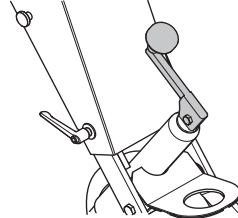
## Substituição dos diamantes



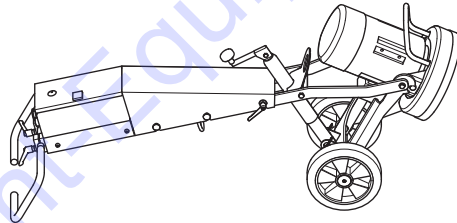
Desligue a máquina e retire a tomada da parede.

Mantenha um par de luvas à mão: as ferramentas de diamante pode ficar muito quentes.

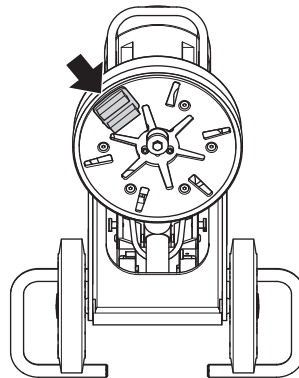
- Levante a barra de direcção para a posição mais elevada.



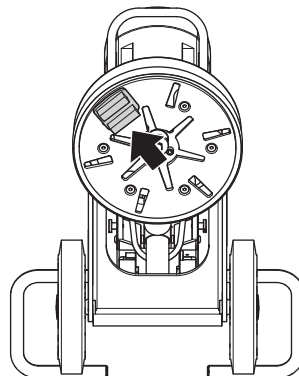
- Puxe a pega para trás para levantar a cabeça rectificadora do piso.
- Volte a pousar a máquina no chão.



- Calce as luvas.
- Utilize um martelo para remover os segmentos de diamante.



- Coloque os novos segmentos de diamante no disco de desgaste.

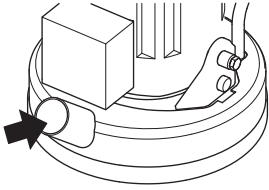


- Depois de terem sido colocados novos diamantes, inverta o procedimento para baixar a máquina para o chão.

# MONTAGEM

## Ligue o aspirador

Ligue o aspirador à máquina. Use uma mangueira de 50 mm (2 polegadas).

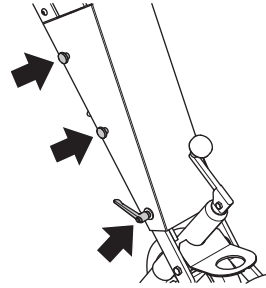


- Utilize um sistema de extracção de poeiras Husqvarna, para um controlo total do pó.
- Assegure-se de que os filtros do aspirador se encontram intactos e limpos. Preste atenção ao pó durante a operação.
- Ajuste a saia de borracha de modo a que esteja em contacto com o chão, de modo a assegurar a recolha eficiente do pó.

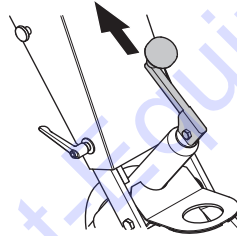
## Transporte

A máquina pode ser dobrada de modo a minimizar o espaço necessário para o seu transporte.

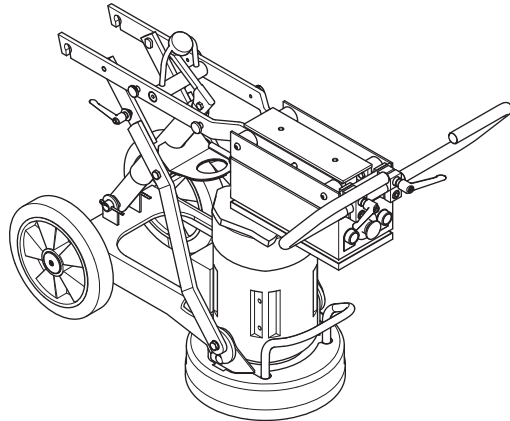
- Solte os parafusos e o punho de bloqueio que mantêm a cobertura no lugar.



- Retire a cobertura.
- Posicione a manivela com o punho a apontar para cima.



- Dobre cuidadosamente a máquina para a frente. Coloque material de protecção entre o motor e a caixa eléctrica, para evitar danos na máquina.



- A cobertura pode ser ligada à lateral da máquina.

## Diamantes

### Histórico

Os abrasivos de diamante consistem normalmente em 2 componentes:

- Pó de diamante (também conhecido por cristais ou partículas de diamante). Mudando o tamanho do pó ou das partículas de diamante, podemos mudar a grossura ou a finura dos riscos deixados pelo processo de rectificação.
- Um agente de ligação (metal ou resina). O pó de diamante é misturado e suspenso num agente de ligação de metal ou resina. Quando suspenso num agente de ligação de metal, os produtos acabados são referidos como um segmento de diamante de União de Metal ou Sinterado. Quando suspenso num agente de ligação de resina, o produto acabado é referido como um segmento de diamante ou almofada de União de Resina. Mudando a dureza do agente de ligação, podemos mudar a rapidez ou a lentidão de desgaste do abrasivo de diamante.

### Princípios Gerais

Seguem-se as regras gerais relativas aos segmentos de diamante em aplicações de rectificação. Tal como acontece com as regras gerais, existem excepções ou casos em que isto não acontece.

#### Tamanho das partículas de diamante

Mudar o tamanho das partículas de diamante para um tamanho inferior terá efeitos no desempenho da ferramenta de diamante dos seguintes modos:

- Cria um padrão de riscos mais finos.
- Aumentar a vida da ferramenta de diamante.

O oposto ocorrerá quando se mudar para um tamanho de partículas maior.

#### Agente de ligação

Aumentar a dureza da união irá:

- Cria um padrão de riscos mais finos.
- Aumentar a vida da ferramenta de diamante.
- Diminuir a taxa de produção.

O oposto ocorrerá se tornar a união de metal ou de resina mais suave.

#### Número de segmentos sob a máquina

Aumentar o número de segmentos sob a máquina irá:

- Reduzir a velocidade sobre cada segmento de diamante individual. – Reduzir a taxa de desgaste nos segmentos de diamante.
- Reduzir a carga sobre a máquina e fazer com que o rectificador puxe menos corrente.
- Criar um padrão de riscos mais suave (particularmente sobre pisos suaves).

O oposto ocorrerá se diminuir o número de segmentos sob a máquina.

### Resumo dos princípios do diamante

Os segmentos de diamante precisam de desgastar-se para obterem produtividade. O desgaste do segmento de diamante pode ser influenciado pelos seguintes factores:

- Pressão.
- Dureza da união.
- Tamanho da partícula de diamante.
- Número de segmentos sob a máquina.
- Adicionar um abrasivo (por exemplo, areia, carboneto de silicose) no piso aumentará o desgaste.

Em termos gerais, quanto mais depressa se desgastar um segmento de diamante, mais rápida será a produtividade. Variando os factores acima, também podem ser feitas alterações para o seguinte efeito:

- Padrão de riscos.
- Tomada de corrente da máquina.
- Uniformidade do piso (ver a secção seguinte).
- Facilidade de operação.

## Determinar a dureza do cimento

Medem-se todos os cimentos através da sua resistência à compressão e, dependendo da parte do mundo onde se encontrar, índices de resistência à compressão diferentes (por ex., PSI e MPa). Em termos gerais, quanto maior for a classificação de resistência à compressão, mais duro será o cimento, pelo que mais difícil será de rectificar.

No entanto, para além das classificações de resistência à compressão, outros factores determinam a dureza do piso, e consequentemente, a selecção do diamante correcto. Uma vez que, geralmente, a rectificação trata apenas a superfície do cimento (superficiais 5 mm), frequentemente, a forma de acabamento do cimento ou o estado da superfície terão uma grande influência na selecção do tipo de diamante em vez da classificação de resistência à compressão do cimento.

### Factores da superfície a considerar ao seleccionar um diamante

Em termos gerais, se uma superfície de cimento for muito mole (ou seja, o mais provável é ter sido muito alisada com colher de pedreiro/lâminas horizontais), o cimento comportar-se-á como se tivesse uma resistência à compressão elevada, pelo que requererá um segmento de união mole.

Assim, se uma superfície de cimento for áspera/agressiva (ou seja, danifi cada pela chuva, jacto, escurificada, agregado exposto, etc.), o cimento comportar-se-á como se tivesse uma resistência à compressão baixa, pelo que requer um segmento de união duro.

Os revestimentos/contaminantes da superfície (por ex., revestimentos de épxi, azulejos cerâmicos adesivos, compostos/camadas de nivelamento) terão frequentemente uma maior influência na selecção do diamante do que a resistência à compressão do cimento.

Regra geral, quando se rectifica um pavimento em cimento pela primeira vez e não se sabe concretamente qual a sua dureza, começa-se sempre com diamantes de união mais duros debaixo da máquina. Isto garantirá a mínima quantidade de desgaste nos segmentos de diamante. Se um segmento de diamante duro não for adequado à aplicação, basta um pouco de tempo sem desgastar os diamantes.

Se for executado de outra forma (ou seja, se se utilizar um segmento mole no início) e o cimento for mole, ou tiver uma superfície abrasiva ou um contaminante da superfície, é muito provável que desgaste uma grande quantidade de diamante num período de tempo muito curto.

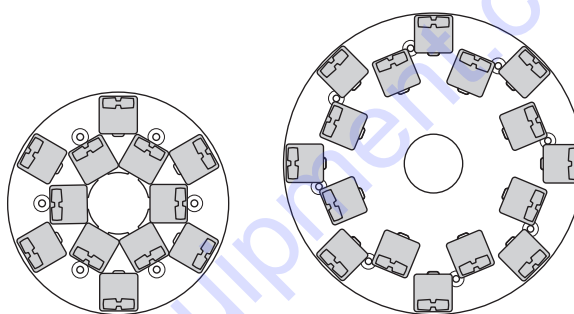
## Seleccção de diamante

A forma como os segmentos de diamante são dispostos na unidade de desgaste influencia fortemente o desempenho da máquina, os níveis de produtividade e também a qualidade do chão acabado.

Existem várias configurações de diamante diferentes que podem ser montadas tanto na PG 400 como na PG 280.

### Diamantes ligados a metal

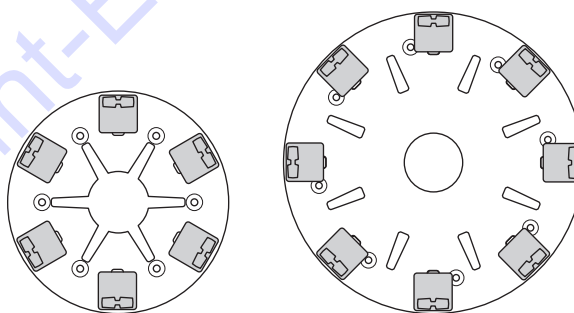
#### Conjunto total - fieira interna e externa



PG 280

PG 400

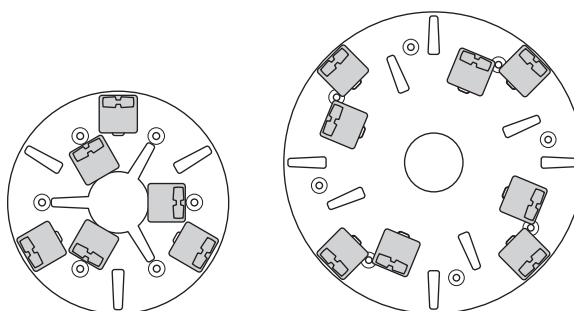
#### Conjunto total - fieira externa



PG 280

PG 400

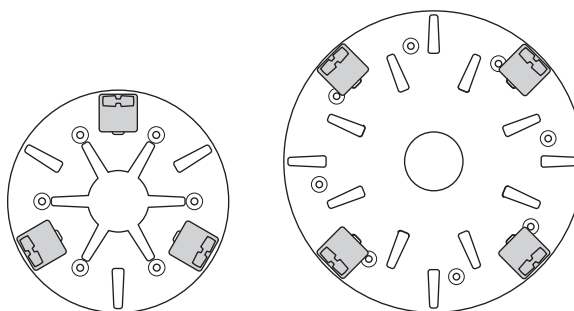
#### Meio conjunto - fieira interna e externa



PG 280

PG 400

#### Meio conjunto - fieira externa



PG 280

PG 400

# GUIA DE ALISAMENTO

## Selecione os diamantes ligados a metal correctos para a sua aplicação

A sugestão que se segue cobre as configurações básicas para ferramentas com diamantes ligados a metal.

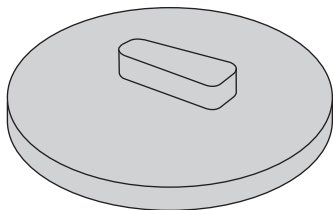
Área de aplicação	União metálica	Tamanho do abrasivo	Conjunto total - fieira interna e externa	Conjunt o total - fieira externa	Meio conjunto - fieira interna e externa	Meio conjunto - fieira externa
Piso plano – Cimento duro	Mole	16 ou 30	X			
Piso plano – Cimento médio	Médio	16 ou 30	X			
Piso plano – Cimento mole	Duro	16 ou 30	X			
Remoção de adesivo em azulejo de cerâmica	Médio	PIRANHA™ ou 16-30	X			
Remoção de Vinil ou Cola de tapete – Cimento duro	Mole	PIRANHA™ ou 16-30			X	X
Remoção de Vinil ou Cola de tapete – Cimento médio	Médio	PIRANHA™ ou 16-30			X	X
Remoção de Vinil ou Cola de tapete – Cimento mole	Duro	PIRANHA™ ou 16-30			X	X
Remoção de tinta épxi – Cimento duro	Mole	PIRANHA™ ou 16-30		X	X	
Remoção de tinta épxi – Cimento médio	Médio	PIRANHA™ ou 16-30		X		
Remoção de tinta épxi – Cimento mole	Duro	PIRANHA™ ou 16-30		X		
Cimento danificado pela chuva	Duro	16-30	X		X	
Aglomerado suavizado exposto	Duro	16-30	X		X	
Remoção de irregularidades em azulejos de pedra natural/de terrazzo	Mole	30 ou 60	X			
Polimento de superfície de pisos de cimento – Cimento duro	Mole	60			X	X
Polimento de superfície de pisos de cimento – Cimento médio	Médio	60			X	X
Polimento de superfície de pisos de cimento – Cimento mole	Duro	60			X	X
Rectificar agregado exposto em cimento – Cimento duro	Mole	16-30	X	X	X	
Rectificar agregado exposto em cimento – Cimento médio	Médio	16-30	X	X	X	
Rectificar agregado exposto em cimento – Cimento mole	Duro	16-30	X		X	
Aplainamento de ondulações em pisos de cimento – Cimento duro	Mole	16 ou 30	X	X	X	
Aplainamento de ondulações em pisos de cimento – Cimento médio	Médio	16 ou 30	X		X	
Aplainamento de ondulações em pisos de cimento – Cimento mole	Duro	16 ou 30	X		X	



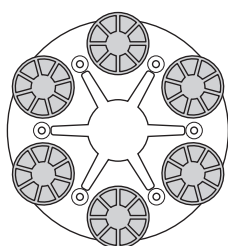
# GUIA DE ALISAMENTO

## Diamantes ligados a resina

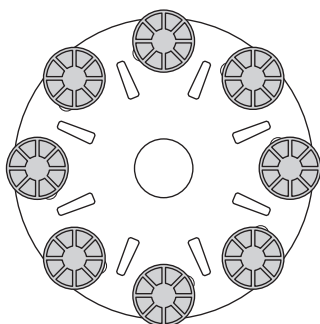
Adaptador de ligação a resina Redi Lock



Conjunto total - fieira externa

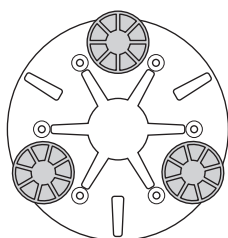


PG 280

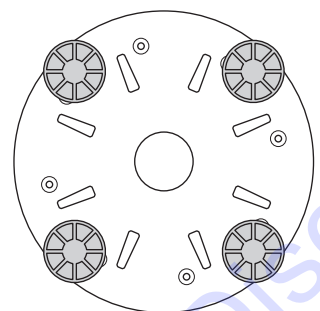


PG 400

Meio conjunto - fieira externa



PG 280



PG 400

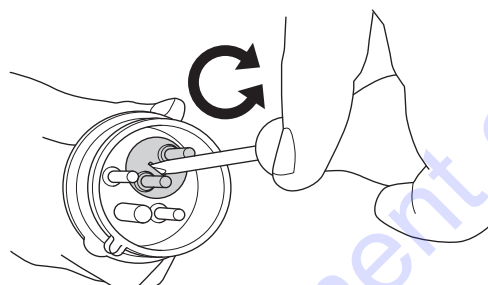
Seleccionar a configuração correcta de diamantes ligados a resina para a sua aplicação

Área de aplicação	Conjunto total - fieira externa	Meio conjunto - fieira externa
Polimento de ladrilhos/pedra para terraços	X	
Renovação de ladrilhos/pedra para terraços		X
Polimento de superfície de pisos de cimento – Cimento duro		X
Polimento de superfície de pisos de cimento – Cimento médio		X
Polimento de superfície de pisos de cimento – Cimento mole		X

## Sentido de rotação do motor (Trifásico)

O sentido de rotação do motor pode ser alterado invertendo os polos na entrada de corrente.

NOTA! As ferramentas Piranha/PCD foram concebidas para funcionar numa única direcção.

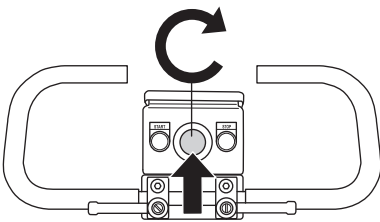


# ARRANQUE E PARAGEM

## Antes de começar



- Posicione o rectificador na área de trabalho.
- Assegure-se que os diamantes se encontram por baixo da máquina e estão firmemente ligados.
- Ligue o aspirador à máquina.
- Utilize os botões de bloqueio para ajustar a barra de direcção, de modo a conseguir a altura de trabalho mais confortável.
- Ligue a alimentação eléctrica da máquina.
- Verifique se o botão de paragem de emergência não está premido, fazendo-o girar a direcção dos ponteiros do relógio.

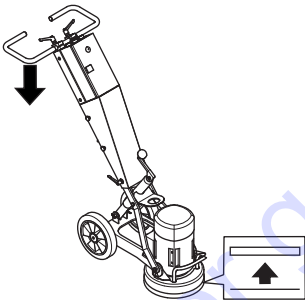


- Verifique a direcção de rotação do motor.

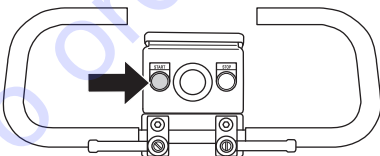
## Arranque



- Reduza a pressão entre o disco de desgaste e o chão empurrando o punho sem levantar a unidade do chão.



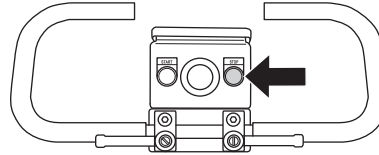
- Prima o botão de arranque e mantenha-o premido durante alguns segundos para arrancar a máquina.



## Paragem



- Utilize o botão de paragem para desligar a máquina.



- Mantenha os segmentos de desgaste em contacto com o chão quando param. Isto ajudará a que a máquina pare rapidamente. Não levante a cabeça de desgaste do chão ao parar, dado que esta acção pode criar uma quantidade significativa de pó no ar.
- Desligue a ficha de alimentação.

## Falhas e sua resolução

### A máquina não funciona

- Verifique a fonte de alimentação e os cabos de alimentação, assegurando-se que não se encontram danificados.
- Verifique se o botão de paragem de emergência não está premido, fazendo-o girar a direcção dos ponteiros do relógio.

### A máquina é difícil de agarrar

- Não existem diamantes suficientes sob a máquina (se estiver a rectificar pisos suaves ou com cola espessa, diamantes a menos sob a máquina aumentam a carga para o rectificador e para o operador). Habitualmente também acompanhado por uma corrente elevada consumida pelo motor.

Aumente o número de diamantes sob a máquina para reduzir a carga para o rectificador e para o operador.

### A máquina está aos saltos

- As almofadas amortecedoras de choques de borracha na unidade podem estar gastas ou danificadas. Inspeccione e substitua se necessário.
- Os diamantes podem não estar correctamente colocados ou têm alturas diferentes. Verifique para assegurar que todos os diamantes estão correctamente encaixados e se estão à mesma altura.

### A máquina pára passado algum tempo

- A máquina está com sobrecarga e a protecção contra sobrecargas foi activada. Reduza a carga. A máquina reinicia-se passado cerca de um minuto, logo que o motor tenha arrefecido.

### A máquina pára logo após o arranque

- O motor eléctrico foi sujeito a sobrecarga ou uma fase está em falta. Espere dois minutos até que a máquina reinicialize e tente novamente. Se isso não ajudar, contacte uma oficina de mecânica autorizada.

## Manutenção



**IMPORTANTE!** A inspecção e/ou manutenção é efectuada com o motor desligado e com a ficha de retirada da tomada de corrente.

Utilizada correctamente, a máquina requer muito pouca manutenção e é de confiança.

### Limpeza



Retire sempre a ficha da tomada de corrente antes de efectuar trabalhos de limpeza, manutenção ou montagem.

Limpar sempre todo o equipamento no final do dia de trabalho. Não utilize lavagem a alta pressão para limpar a máquina.

As aberturas do ar de arrefecimento têm que estar sempre desobstruídas e limpas para o arrefecimento da máquina poder funcionar sempre de modo satisfatório.

### Almofadas amortecedoras de choques de borracha

Inspeccione as almofadas amortecedoras de choques mensalmente. Troque se necessário.

### Alimentação eléctrica



**ATENÇÃO!** Nunca use cabos danificados, pois podem causar acidentes graves e até mesmo mortais.

Verifique se o fio e a extensão estão intactos e em bom estado.

Se o fio da máquina estiver danificado, não use a máquina e entregue-a a uma oficina de reparações autorizada para ser reparada.

### Protecção

Assegure-se que a saia de borracha se encontra intacta e limpa, e que assenta bem sobre o chão. Uma saia de borracha danificada deve ser sempre substituída.

### Assistência



**IMPORTANTE!** Todos os tipos de reparações só devem ser efectuados por reparadores autorizados. Isso é fundamental para evitar que os operadores sejam expostos a situações de grande risco.

# ESPECIFICAÇÕES TÉCNICAS

## PG 280

	PG 280 (Trifásico, 380-480V)	PG 280 (monofásica, 220-240V)		PG 280 (monofásica, 100-120V)	
	50 Hz	50 Hz	60 Hz	50 Hz	60 Hz
Potência do Motor, kW/hp	3,0/4,0	2,2/3,0	2,2/3,0	1,5/2,0	1,5/2,0
Corrente nominal, A	6	13	13	18	18
Tensão nominal, V	380-480	220-240	220-240	100-120	100-120
Peso, kg/lbs	70/154	70/154	70/154	70/154	70/154
Largura de rectificação, mm/polegadas	280/11	280/11	280/11	280/11	280/11
Pressão de rectificação, kg/lbs	35/77	35/77	35/77	35/77	35/77
Velocidade, rpm	2800	1400	1720	960	1160
<b>Emissões de ruído (ver nota 1)</b>					
Nível de potência sonora, medido em dB(A)	107	107	107	107	107
Nível de potência sonora, L <sub>WA</sub> garantido dB(A)	108	108	108	108	108
<b>Níveis acústicos (ver nota 2)</b>					
Nível de pressão acústica junto ao ouvido do utilizador, dB(A)	89	89	89	89	89
<b>Níveis de vibração (ver nota 3)</b>					
Punho direito, m/s <sup>2</sup>	3,4	3,4	3,4	3,4	3,4
Punho esquerdo, m/s <sup>2</sup>	3,4	3,4	3,4	3,4	3,4

## PG 400

	PG 400 (Trifásico, 200-240V)		PG 400 (Trifásico, 380-480V)		PG 400 (Monofásico, 220-240V)	
	50 Hz	60 Hz	50 Hz	60 Hz	50 Hz	60 Hz
Potência do Motor, kW/hp	4,0/5,4	4,8/6,5	4,0/5,4	4,8/6,5	3,0/4,0	3,0/4,0
Corrente nominal, A	15	15	9	9	16	18
Tensão nominal, V	200-240	200-240	380-480	380-480	220-240	220-240
Peso, kg/lbs	115/254	115/254	115/254	115/254	115/254	115/254
Largura de rectificação, mm/polegadas	400/16	400/16	400/16	400/16	400/16	400/16
Pressão de rectificação, kg/lbs	65/143	65/143	65/143	65/143	65/143	65/143
Velocidade, rpm	1430	1720	1430	1720	960	1160
<b>Emissões de ruído (ver nota 1)</b>						
Nível de potência sonora, medido em dB(A)	107	107	107	107	107	107
Nível de potência sonora, L <sub>WA</sub> garantido dB(A)	108	108	108	108	108	108
<b>Níveis acústicos (ver nota 2)</b>						
Nível de pressão acústica junto ao ouvido do utilizador, dB(A)	89	89	89	89	89	89
<b>Níveis de vibração (ver nota 3)</b>						
Punho direito, m/s <sup>2</sup>	3,4	3,4	3,4	3,4	3,4	3,4
Punho esquerdo, m/s <sup>2</sup>	3,4	3,4	3,4	3,4	3,4	3,4

Nota 1: Emissões sonoras para as imediações, medidas sob forma de potência sonora (L<sub>WA</sub>) conforme a 61029-1.

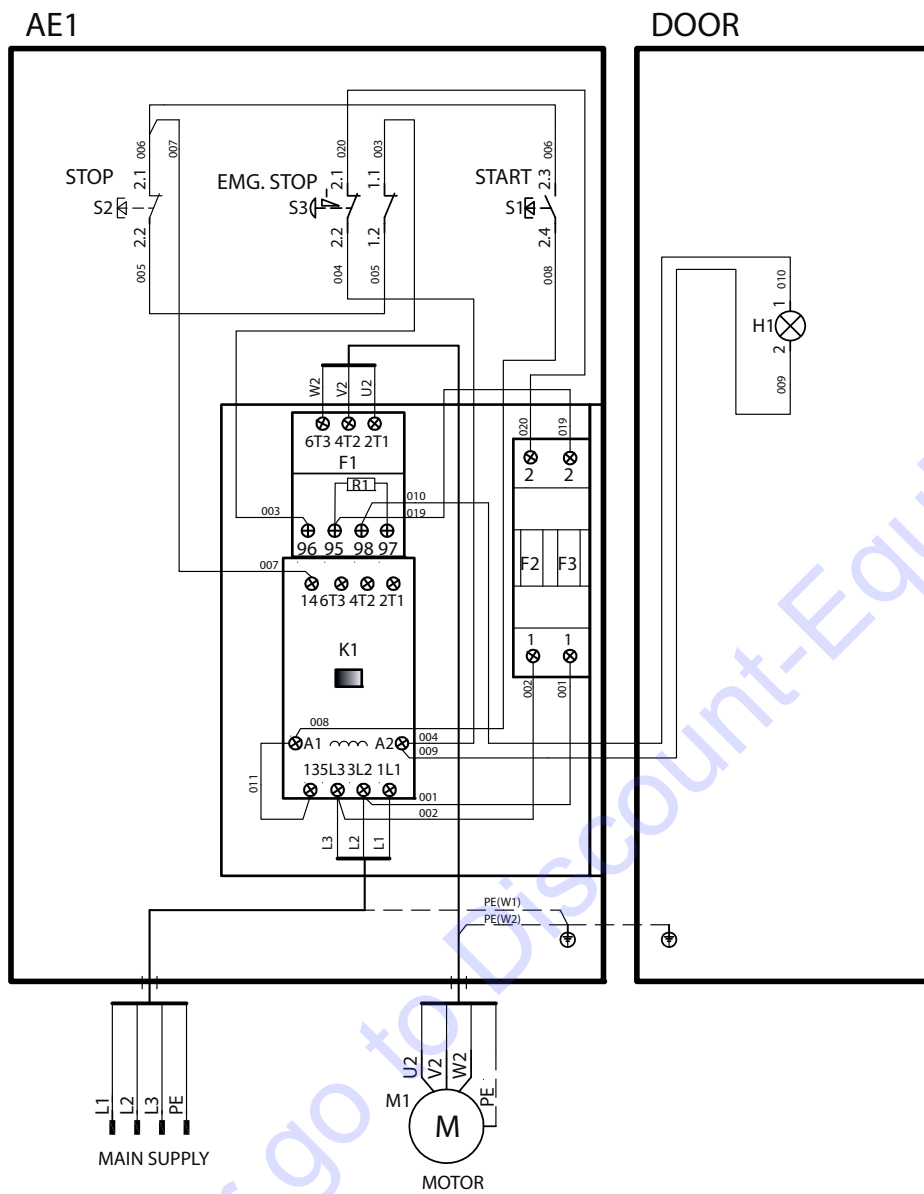
Nota 2: Nível de ruído em conformidade a EN 61029-1. Os dados comunicados relativamente ao nível de pressão de ruído têm uma dispersão estatística típica (desvio padrão) de 1,0 dB(A).

Nota 3: Nível de vibração em conformidade com a EN 61029-1. Os dados comunicados relativamente ao nível de vibração têm uma dispersão estatística típica (desvio padrão) de 1 m/s<sup>2</sup>.

# ESQUEMA ELÉCTRICO

Trifásico

PG 280 / PG 400

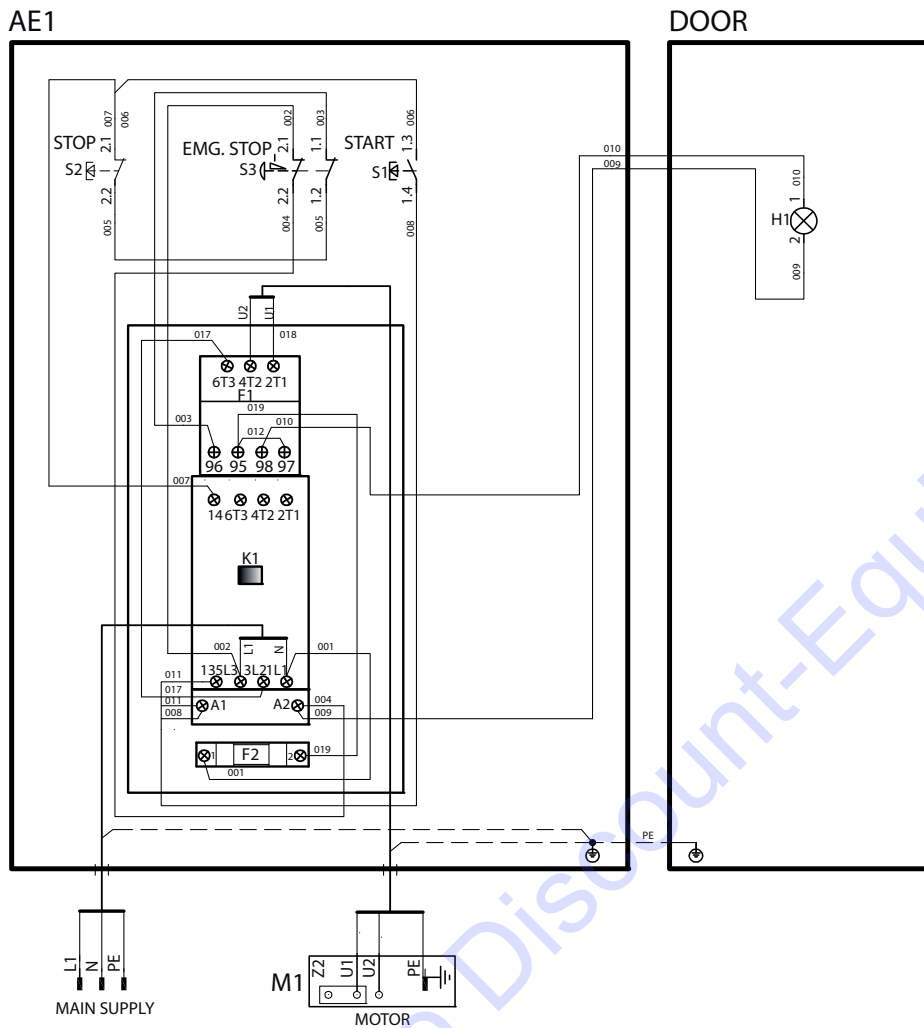


U2	V2	W2	PE
L1	L2	L3	PE
Variant 1	Black	Red	White
Variant 2	Brown	Black	Grey
			Green
			Ye/Gn

# ESQUEMA ELÉCTRICO

## Monofásico

PG 280 / PG 400



	U1	U2	PE
	L1	N	PE
Variant 1	Black	White	Green
Variant 2	Brown	Blue	Ye/Gn

# ΗΠΗΞΗΓΗΣΗ ΣΥΜΒΟΛΩΝ

## Σύμβολα πάνω στο μηχάνημα:

**ΠΡΟΗΔΟΠΟΙΗΣΗ!** Το μηχάνημα μπορεί να γίνει επικίνδυνο. Η απρόσεκτη ή λανθασμένη χρήση μπορεί να έχει ως αποτέλεσμα σοβαρό ή θανάσιμο τραυματισμό του χειριστή ή άλλων ατόμων.



Διαβάστε προσεκτικά τις Οδηγίες χρήσεως και κατανοήστε το περιεχόμενο πριν χρησιμοποιήσετε το μηχάνημα.



Χρησιμοποιείτε ατομικό προστατευτικό εξοπλισμό. Βλ. τις οδηγίες στο κεφάλαιο "Ατομικός προστατευτικός εξοπλισμός".



**ΠΡΟΗΔΟΠΟΙΗΣΗ!** Κατά το τρόχισμα δημιουργείται σκόνη, η οποία μπορεί να προκαλέσει τραυματισμούς σε περίπτωση εισπνοής της. Χρησιμοποιείτε εγκεκριμένη μάσκα αναπνοής. Φροντίζετε να υπάρχει πάντα καλός αερισμός.



Ηκκίνεσε: Μειώστε την πίεση ανάμεσα στο δίσκο τροχίσματος και στο δάπεδο σπρώχνοντας προς τα κάτω τη λαβή χωρίς να σηκώνετε τη μονάδα τροχίσματος από το έδαφος.



Αυτό το προϊόν είναι σύμφωνο με τις ισχύουσες οδηγίες της ΗΚ.



**Περιβαλλοντική σήμανση.** Το σύμβολο στο προϊόν ή στη συσκευασία του υποδηλώνει ότι η απόρριψη αυτού του προϊόντος δεν μπορεί να γίνει όπως με τα οικιακά απορρίμματα.



Φροντίζοντας για τη σωστή απόρριψη αυτού του προϊόντος μπορείτε να συμβάλετε στην αντιμετώπιση τυχόν αρνητικών επιπτώσεων στο περιβάλλον και στους ανθρώπους, οι οποίες μπορεί να προκληθούν από την εσφαλμένη μεταχείριση των απορριμμάτων αυτού του προϊόντος.

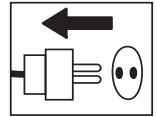


Για πιο αναλυτικές πληροφορίες σχετικά με την ανακύκλωση αυτού του προϊόντος, επικοινωνήστε με τη δημοτική σας αρχή, με την υπηρεσία διαχείρισης απορριμμάτων ή με το κατάστημα στο οποίο έγινε η αγορά του.

**Τα υπόλοιπα σύμβολα/επιγραφές του μηχανήματος αναφέρονται σε ειδικές απαιτήσεις για εκπλήρωση προδιαγραφών έγκρισης σε ορισμένες αγορές.**

## Σύμβολα στις οδηγίες χρήσεως:

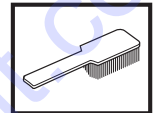
Ο έλεγχος και/ή η συντήρηση πρέπει να γίνεται με τον κινητήρα σταματημένο, με το βύσμα βγαλμένο από τη πρίζα.



Χρησιμοποιείτε πάντοτε εγκεκριμένα προστατευτικά γάντια.



Απαιτείται τακτικός καθαρισμός.



Οπτικός έλεγχος.



Χρησιμοποιείτε προστατευτικά γυαλιά ή δικτυωτή μάσκα.



## Περιεχόμενα

### ΗΠΗΞΗΓΗΣΗ ΣΥΜΒΟΛΩΝ

Σύμβολα πάνω στο μηχάνημα: ..... 56

Σύμβολα στις οδηγίες χρήσεως: ..... 56

### ΠΗΡΙΗΧΟΜΗΝΑ

Περιεχόμενα ..... 57

### ΤΙ ΗΙΝΑΙ ΤΙ;

Τι είναι τι στο τροχιστικό; ..... 58

### ΟΔΗΓΙΣ ΑΣΦΑΛΗΙΑΣ

Πριν από τη χρήση ενός νέου τροχιστικού ..... 59

Ατομικός προστατευτικός εξοπλισμός ..... 59

Γενικές οδηγίες ασφάλειας ..... 60

### ΣΥΝΑΡΜΟΛΟΓΗΣΗ

Τοποθέτηση της λαβής ..... 62

Αλλαγή των διαμαντιών ..... 62

Σύνδεση ηλεκτρικής σκούπας ..... 63

Μεταφορά ..... 63

### ΟΔΗΓΟΣ ΤΡΟΧΙΣΜΑΤΟΣ

Διαμάντια ..... 64

Καθορισμός τες σκληρότητας του σκυροδέματος ..... 65

πιλογή διαμαντιού ..... 65

Κατεύθυνση περιστροφής του μοτέρ ..... 67

### ΞΗΚΙΝΗΜΑ ΚΑΙ ΣΤΑΜΑΤΗΜΑ

Πριν την εκκίνηση ..... 68

Ηκκίνηση ..... 68

Σταμάτημα ..... 68

### ΣΥΝΤΗΡΗΣΗ

Σφάλματα και αντιμετώπιση προβλεμάτων ..... 69

Συντήρηση ..... 69

Σέρβις ..... 69

### ΤΗΧΝΙΚΑ ΣΤΟΙΧΙΑ

PG 280 ..... 70

PG 400 ..... 70

ΗΚ–Βεβαίωση συμφωνίας ..... 71

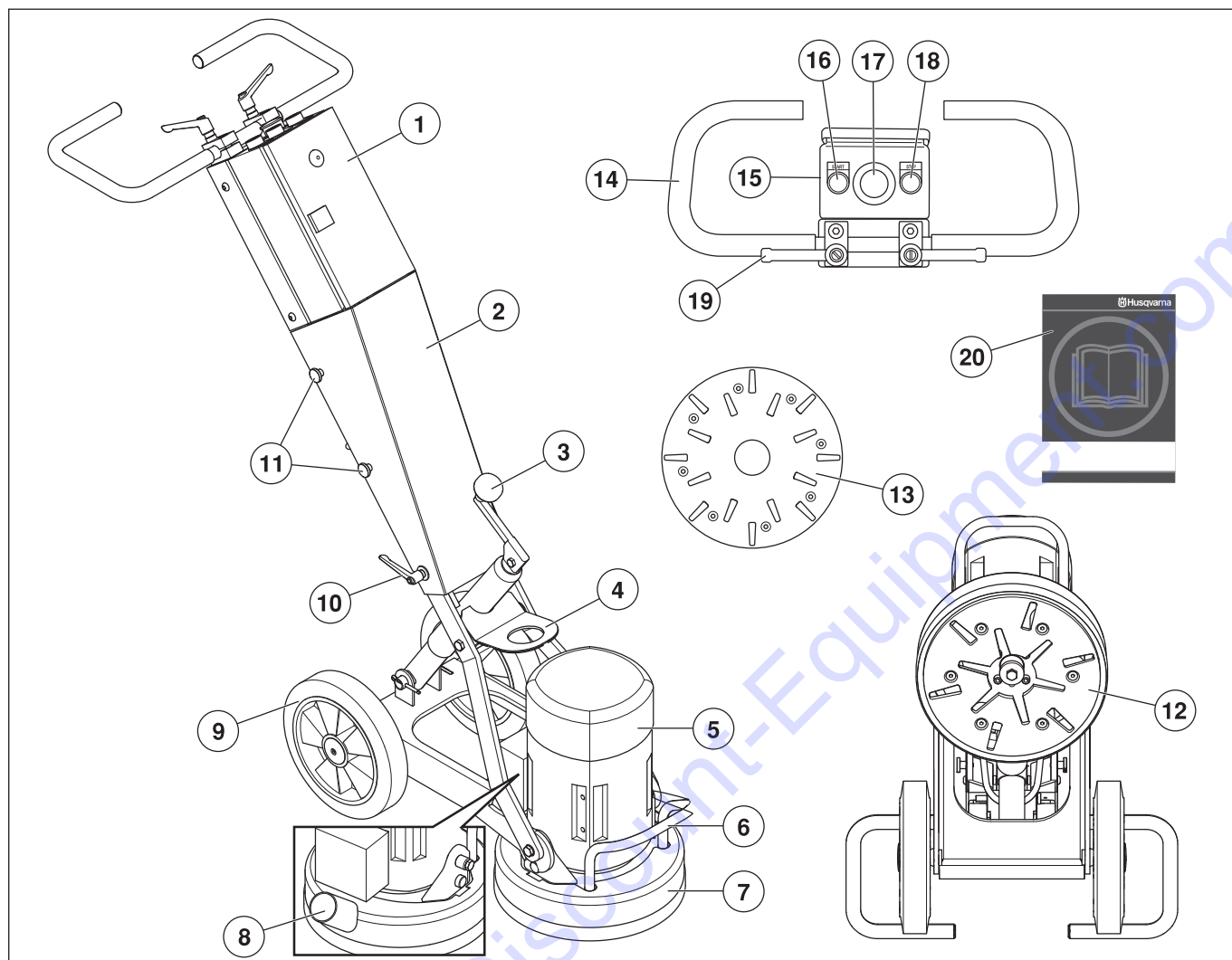
### ΣΧΔΙΟ ΚΑΛΩΔΙΩΣΗΣ

Τριφασική ..... 72

Μονοφασικός ..... 73



## ΤΙ ΗΙΝΑΙ ΤΙ;



### Τι είναι τι στο τροχιστικό;

- |                                                   |                                                        |
|---------------------------------------------------|--------------------------------------------------------|
| 1 Ηλεκτρικό κουτί                                 | 11 Βίδες, κάλυμμα                                      |
| 2 Κάλυμμα                                         | 12 Μονάδα τροχίσματος - PG 280                         |
| 3 Στρόφαλος για τη ρύθμιση της πίεσης τροχίσματος | 13 Μονάδα τροχίσματος - PG 400                         |
| 4 Οπή ανύψωσης                                    | 14 Λαβή / ράβδος οδήγησης                              |
| 5 Ηλεκτρικός κινητήρας                            | 15 Πίνακας ελέγχου                                     |
| 6 Λαβή ανύψωσης                                   | 16 Κουμπί έναρξης                                      |
| 7 Ποδιά                                           | 17 Διακοπή έκτακτης ανάγκης                            |
| 8 Σύνδεση για ηλεκτρική σκούπα                    | 18 Κουμπί διακοπής                                     |
| 9 Σετ τροχών                                      | 19 Κουμπί ασφάλισης για τη ρύθμιση της ράβδου οδήγησης |
| 10 Κάλυμμα κουμπιού ασφάλισης                     | 20 Οδηγίες χρήσεως                                     |

## Πριν από τη χρήση ενός νέου τροχιστικού

- Διαβάστε προσεκτικά τις Οδηγίες χρήσεως και κατανοήστε το περιεχόμενο πριν χρησιμοποιήσετε το μηχάνημα.
- Τα τροχιστικά PG 400 και PG 280 έχουν σχεδιαστεί για τεν επιφανειακή αφαίρεση καταλοίπων κόλλας/συγκολλητικής ουσίας, στόκου και παρόμοιων υλικών από δάπεδα σκυροδέματος και για το τρόχισμα και τεν εξομάλυνση των δαπέδων σκυροδέματος.
- Το μηχάνημα μπορεί να προκαλέσει σοβαρό τραυματισμό. Διαβάστε προσεκτικά τις οδηγίες ασφάλειας. Μάθετε πώς χρησιμοποιείται το μηχάνημα.
- Ο χειρισμός του μηχανήματος θα πρέπει να πραγματοποιείται μόνο από προσωπικό που έχει λάβει τεν απαραίτητες εκπαίδευση, πρακτική και θεωρητική, σχετικά με τε χρήση του μηχανήματος.

## Χρησιμοποιείτε πάντοτε κοινή λογική

Δεν είναι δυνατό να καλυφθούν όλες οι περιπτώσεις που ενδέχεται να συναντήσετε. Να είστε πάντα προσεκτικοί και να χρησιμοποιείτε τεν κοινή λογική. Αποφεύγετε τις καταστάσεις τις οποίες θεωρείτε πέραν των δυνατοτήτων σας. Εάν δεν αισθάνεστε σίγουροι για τις διαδικασίες χειρισμού, αφού διαβάσετε αυτές τις οδηγίες, θα πρέπει να συμβουλευτείτε κάποιον ειδικό πριν συνεχίσετε.

Μην διστάσετε να επικοινωνήσετε με τον τοπικό αντιπρόσωπο, εάν έχετε οποιαδήποτε ερώτηση σχετικά με τε χρήση του μηχανήματος. Ηίμαστε πρόθυμοι να σας εξυπερετήσουμε και να σας δώσουμε συμβουλές, καθώς και βοήθεια για τεν αποτελεσματική και ασφαλής χρήση του μηχανήματός σας.

Θα πρέπει να απευθύνεστε στον αντιπρόσωπο της Husqvarna για τον τακτικό έλεγχο του μηχανήματος και για την εκτέλεση των βασικών ρυθμίσεων και επισκευών.

Όλες οι πληροφορίες και όλα τα στοιχεία σε αυτές τις οδηγίες ισχύουν μέχρι την ημερομηνία εκτύπωσης των οδηγιών αυτών.



**ΠΡΟΗΔΟΠΟΙΗΣΗ!** Σε καμία περίπτωση δεν πρέπει να τροποποιήσετε τον αρχικό σχεδιασμό του μηχανήματος, χωρίς έγκριση από τον κατασκευαστή. Πάντα να χρησιμοποιείτε γνήσια ανταλλακτικά. Οι μετατροπές ή/και τα εξαρτήματα που δεν φέρουν καμία εξουσιοδότηση μπορεί να προκαλέσουν σοβαρό τραυματισμό ή θάνατο στο χρήστη ή τρίτα πρόσωπα.



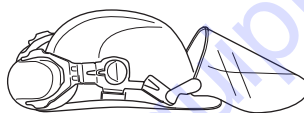
**ΠΡΟΗΔΟΠΟΙΗΣΗ!** Χρήση προϊόντων που κόβουν, ακονίζουν, τρυπούν, λειαινούν ή διαμορφώνουν υλικό μπορεί να προκαλέσει σκόνη και ατμούς που περιέχουν βλαβερά χημικά. Φροντίστε να μάθετε από τί αποτελείται το αντικείμενο με το οποίο εργάζεστε και φοράτε κατάλληλη μάσκα προστασίας προσώπου ή αναπνευστική μάσκα.

## Ατομικός προστατευτικός εξοπλισμός

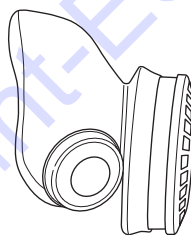


**ΠΡΟΗΔΟΠΟΙΗΣΗ!** Σε οποιαδήποτε χρήση του μηχανήματος πρέπει να χρησιμοποιείτε εγκεκριμένο ατομικό προστατευτικό εξοπλισμό. Ο ατομικός προστατευτικός εξοπλισμός δεν εξουδετερώνει τον κίνδυνο τραυματισμού, παρά μειώνει τα αποτελέσματα ενός τραύματος σε περίπτωση ατυχήματος. Ζητήστε από τον έμπορο να σας βοηθήσει στην εκλογή προστατευτικού εξοπλισμού.

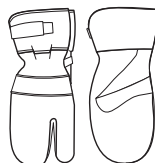
- Προστατευτικό κράνος
- Προστασία ακοής
- Προστατευτικά γυαλιά ή δικτυωτή μάσκα



- Αναπνευστική μάσκα



- Γερά γάντια με καλό κράτημα.



- Ηφαρμοστή, ανθεκτική και άνετη επένδυση που επιτρέπει πλήρη ελευθερία κινήσεων.



- Αντιολισθητικές μπότες με χαλύβδινα ψίδια.



- Ηχετε πάντοτε μαζί σας κιβώτιο πρώτων βοηθειών.



## Γενικές οδηγίες ασφαλείας



**ΠΡΟΗΔΙΟΠΟΙΗΣΗ!** Αυτή η ενότητα περιγράφει τις βασικές κατευθύνσεις ασφαλείας για τη χρήση του μηχανήματος. Αυτές οι πληροφορίες δεν υποκαθιστούν σε καμία περίπτωση τις επαγγελματικές ικανότητες και την εμπειρία. Αν βρεθείτε σε συνθήκες που δεν αισθάνεστε ασφαλής, διακόψτε τη λειτουργία και αναζητήστε τη συμβουλή κάποιου ειδικού. Ηπικοινωνήστε με τον αντιπρόσωπο, τον υπεύθυνο σέρβις ή έναν πεπειραμένο χρήστη. Μην επιχειρήσετε να εκτελέσετε κάποια εργασία για την οποία δεν είστε βέβαιοι!

- Μην χρησιμοποιείτε το μηχάνημα χωρίς πρώτα να διαβάσετε και να κατανοήσετε τα περιεχόμενα του παρόντος εγχειριδίου λειτουργίας. **Φυλάσσετε τις προειδοποιήσεις και τις οδηγίες ώστε να ανατρέχετε αργότερα σε αυτές.**

## Ασφάλεια στο χώρο εργασίας

- Αποφύγετε τη χρήση σε αντίξοες καιρικές συνθήκες. Για παράδειγμα πυκνή ομίχλη, βροχή, ισχυρό άνεμο, ισχυρό ψύχος, κλπ.
- Διατερείτε το χώρο εργασίας καθαρό και με καλό φωτισμό.** Οι ακατάστατοι ή σκοτεινοί χώροι ενέχουν τον κίνδυνο ατυχημάτων.
- Το μέχάνεμα δεν πρέπει να χρησιμοποιείται σε περιοχές όπου υπάρχει πιθανότητα πυρκαγιάς ή έκρηξης.

## Ασφάλεια με το ηλεκτρικό ρεύμα



**ΠΡΟΗΔΙΟΠΟΙΗΣΗ!** Πάντα υπάρχει κίνδυνος ηλεκτροπληξίας στα ηλεκτρικά μηχανήματα. Να αποφεύγετε αντίξοες καιρικές συνθήκες και σωματική επαφή με καλούς αγωγούς και μεταλλικά αντικείμενα. Να ακολουθείτε πάντα τις οδηγίες του εγχειριδίου χρήσης, έτσι ώστε να αποφύγετε τους τραυματισμούς.

**Ποτέ μην συνδέετε το μηχάνημα σε παροχή εάν το φισ ή το καλώδιο έχουν υποστεί ζημιά.**

- Ηλέγξτε ότι η ηλεκτρική τάση είναι ίδια με αυτή που αναγράφεται στη πινακίδα που βρίσκεται πάνω στο μηχάνημα.
- Ο έλεγχος και/ή η συντήρηση πρέπει να γίνεται με τον κινητήρα σταματημένο, με το βύσμα βγαλμένο από τη πρίζα.
- Απενεργοποιείτε πάντα το μηχάνημα προτού αποσυνδέσετε το φισ.
- Ποτέ με σέρνετε το μέχάνεμα από το καλώδιο και ποτέ με βγάζετε το φισ από την πρίζα τραβώντας το καλώδιο. Για να αποσυνδέσετε το καλώδιο τροφοδοσίας, κρατήστε το φισ.
- Μην χρησιμοποιείτε ποτέ το μηχάνημα εάν κάποιο καλώδιο ή βύσμα είναι καταστραμμένο και αναθέστε άμεσα την επισκευή του σε εξουσιοδοτημένο συνεργείο σέρβις.

- Ποτέ μη χειρίζεστε το μηχάνημα σε βάθος νερού που φθάνει τον εξοπλισμό του μηχανήματος. Ο εξοπλισμός μπορεί να υποστεί ζημιά και το μηχάνημα μπορεί να είναι υπό τάση, γεγονός που μπορεί να προκαλέσει προσωπικό τραυματισμό.

## Οδηγίες γείωσης



**ΠΡΟΗΔΙΟΠΟΙΗΣΗ!** Η ακατάλληλη σύνδεση μπορεί να προκαλέσει κίνδυνο ηλεκτροπληξίας. Ηπικοινωνήστε με ειδικευμένο ηλεκτρολόγο, εάν έχετε αμφιβολίες σχετικά με την ορθή γείωση της συσκευής.

**Μην τροποποιείτε το φισ. Εάν δεν αντιστοιχεί στην παροχή, αιτήστε την τοποθέτηση κατάλληλης παροχής από ειδικευμένο ηλεκτρολόγο. Ηξασφαλίστε την τήρηση των τοπικών κανονισμών και οδηγιών.**

**Εάν οι οδηγίες γείωσης δεν είναι πλήρως κατανοητές, επικοινωνήστε με ειδικευμένο ηλεκτρολόγο.**

- Το μηχάνημα είναι εξοπλισμένο με γειωμένο καλώδιο και φισ και πρέπει πάντα να συνδέεται σε γειωμένη παροχή. Αυτό μειώνει τον κίνδυνο ηλεκτροπληξίας στην περίπτωση δυσλειτουργίας.
- Απαγορεύεται η χρήση προσαρμογέων με το μηχάνημα.

## Σύρματα και καλώδια επέκτασης

- Η σήμανση στο καλώδιο επέκτασης πρέπει να είναι η ίδια ή υψηλότερη από την τιμή που ορίζεται στην πινακίδα στοιχείων του μηχανήματος.
- Χρησιμοποιήστε γειωμένα καλώδια επέκτασης.
- Όταν χρησιμοποιείτε ένα ηλεκτρικό εργαλείο σε εξωτερικό χώρο, χρησιμοποιήστε καλώδιο επέκτασης για χρήση σε εξωτερικό χώρο.** Η χρήση καλωδίου κατάλλελου για χρήση σε εξωτερικό χώρο, μειώνει τον κίνδυνο ηλεκτροπληξίας.
- Διατηρήστε τη σύνδεση με το καλώδιο επέκτασης στεγνή και μακριά από το έδαφος.
- Διατερείτε το καλώδιο μακριά από θερμότητα, λάδια, αιχμηρές άκρες ή κινούμενα μέρη. Εάν το καλώδιο καταστραφεί ή εμπλακεί, αυξάνεται ο κίνδυνος ηλεκτροπληξίας.
- Βεβαιωθείτε ότι τα καλώδια είναι άθικτα και σε καλή κατάσταση. Ποτέ μην χρησιμοποιείτε το μηχάνημα εάν κάποιο καλώδιο είναι καταστραμμένο και αναθέστε άμεσα την επισκευή του σε εξουσιοδοτημένο συνεργείο σέρβις.
- Μην χρησιμοποιείτε καλώδια επέκτασης που είναι τυλιγμένα, έτσι ώστε να αποφύγετε την υπερθέρμανσή του.
- Φροντίστε να έχετε το καλώδιο πίσω σας όταν χρησιμοποιείτε το μηχάνημα για να μην του προκαλέσετε φθορά.

## Προσωπική ασφάλεια



**ΠΡΟΗΔΟΠΟΙΗΣΗ!** Υπερβολική έκθεση σε κραδασμούς μπορεί να προκαλέσει προβλήματα σε αγγεία και νεύρα σε άτομα που έχουν κυκλοφοριακό πρόβλημα. Απευθυνθείτε σε γιατρό εάν διαπιστώσετε συμπτώματα που μπορούν να οφείλονται σε υπερβολική έκθεση σε κραδασμούς. Παραδείγματα τέτοιων συμπτωμάτων είναι **μουδιάσματα, έλλειψη αίσθησης, "μυρμηκίαση", "τσιμπήματα", πόνος, έλλειψη ή μείωση της κανονικής δύναμης, αλλαγές στην επιφάνεια και στο χρώμα του δέρματος. Αυτά τα συμπτώματα εμφανίζονται συνήθως στα δάχτυλα, στα χέρια και στους καρπούς. Αυτά τα συμπτώματα μπορεί να αυξηθούν σε χαμηλές θερμοκρασίες.**

- Χρησιμοποιείτε ατομικό προστατευτικό εξοπλισμό. Βλ. τις οδηγίες στο κεφάλαιο "Ατομικός προστατευτικός εξοπλισμός".
- Ποτέ μην χρησιμοποιείτε το μηχάνημα όταν είστε κουρασμένος, έχετε πειε αλκοόλ ή πήρατε φάρμακα που επηρεάζουν την όρασή σας, την κρίση σας ή τον έλεγχο του σώματός σας.
- Μην επιτρέπετε σε κανέναν άλλον να χρησιμοποιήσει το μηχάνημα αν δεν έχετε βεβαιωθεί ότι γνωρίζει το περιεχόμενο των οδηγιών χρήσης.
- Όλοι οι χειριστές πρέπει να εκπαιδευτούν στη χρήση του μηχανήματος. Ο κάτοχος είναι υπεύθυνος για την εκπαίδευση των χειριστών.
- Μπορεί να σας αποσπάσουν την προσοχή άνθρωποι ή ζώα και να χάσετε έτσι τον έλεγχο του μηχανήματος. Γι αυτό να είστε πάντοτε συγκεντρωμένοι και επικεντρωμένοι στο αντικείμενό σας. Ποτέ μην επιτρέπετε σε παιδιά να χρησιμοποιήσουν ή να βρεθούν κοντά στο μεχάνημα.
- Να έχετε υπόψη σας ότι τα ρούχα, μακριά μαλλιά και κοσμήματα μπορεί να μπλεχτούν στα κινητά μέρη.
- Υπάρχει πάντοτε κίνδυνος σύνθλιψης κατά την εργασία με μηχανήματα που έχουν κινετὰ εξαρτήματα. Διατηρείτε αποστάσεις!
- Μην αφήνετε ποτέ το μηχάνημα χωρίς επίβλεψη όταν ο κινητήρας λειτουργεί.
- Βεβαιωθείτε ότι υπάρχει πάντα κάποιος κοντά όταν χρησιμοποιείτε τα μηχανήματα, προκειμένου να ζητήσετε βοήθεια σε περίπτωση ατυχήματος.
- Φροντίστε να έχετε ασφαλή και σταθερή στάση εργασίας

## Χρήση και φροντίδα

- Χρησιμοποιείτε το μηχάνημα μόνο για τις εργασίες για τις οποίες είναι σχεδιασμένο.
- Διατηρήστε όλα τα εξαρτήματα σε εύρυθμη κατάσταση και φροντίστε να είναι καλά σφιγμένα όλα τα αγκύρια.
- Ποτέ μην χρησιμοποιείτε ελαττωματικό μηχάνημα. Ακολουθήστε τις οδηγίες συντήρησης, ελέγχου και σέρβις αυτού του βιβλίου. Ορισμένες εργασίες συντήρησης και σέρβις πρέπει να γίνονται από ειδικευμένο προσωπικό. Βλ. τις οδηγίες στο κεφάλαιο Συντήρηση.
- Μην τροποποιείτε τον εξοπλισμό ασφαλείας. Ηλέγχετε τακτικά εάν λειτουργούν όπως πρέπει. Το μηχάνημα δεν πρέπει να λειτουργεί με ελαττωματικό ή αποσυναρμολογημένο εξοπλισμό ασφαλείας.

- Ποτέ μην χρησιμοποιείτε ένα μηχάνημα στο οποίο έγιναν τέτοιες μετατροπές, ώστε δεν είναι πια σύμφωνα με το πρωτότυπο.
- Χρησιμοποιείτε πάντοτε γνήσια ανταλλακτικά. Ηπικοινωνήστε με τον προμηθευτή σας για περισσότερες πληροφορίες.
- Το μεχάνημα πρέπει να τίθεται σε λειτουργία μόνο όταν οι κεφαλές λείανσης ακουμπούν στο έδαφος, εκτός αν εκτελείται κάποια διαδικασία ελέγχου όπως περιγράφεται στο παρόν εγχειρίδιο.
- Το μεχάνημα δεν πρέπει να τίθεται σε λειτουργία αν δεν έχει προσαρτηθεί ελαστική ποδιά σκόνης. ίναι απαραίτητο να εξασφαλιστεί καλή στεγανοποίηση μεταξύ του μηχανήματος και του δαπέδου για λόγους ασφαλείας, ειδικά όταν λειτουργεί σε εφαρμογές ξερής λείανσης.
- Κατά το τρόχισμα, το μηχάνημα πρέπει να είναι συνδεδεμένο σε μια ηλεκτρική σκούπα για την αναρρόφηση της σκόνης.
- Για να αλλάξετε τους δίσκους λείανσης, βεβαιωθείτε πρώτα ότι δεν υπάρχει παροχή ρεύματος στε μονάδα πατώντας το κουμπί διακοπής λειτουργίας έκτακτες ανάγκες και αποσυνδέοντας το φις του καλωδίου ρεύματος από τον πρίζα.
- Μετά την ολοκλήρωση κάθε λειτουργίας τροχίσματος/ λείανσης, αφαιρείται πάντα τα εργαλεία διαμαντιού.
- Βεβαιωθείτε ότι η λαστιχένια επένδυση είναι άθικτη και καθαρή και ότι στεγανοποιείται σφικτά στο δάπεδο. Η κατεστραμμένη λαστιχένια επένδυση πρέπει να αντικαθίσταται πάντα.
- Ο δίσκος τροχίσματος εξακολουθεί να περιστρέφεται για ένα διάστημα μετά την παύση του κινητήρα. Διατηρήστε τη δράση τροχίσματος, μέχρι ο ανεμιστήρας να σταματήσει τελείως. Βεβαιωθείτε ότι η κεφαλή τροχίσματος έχει σταματήσει να περιστρέφεται, πριν ανασεκώσετε το μεχάνημα.
- Κατά την αφαίρεση της κόλλα, της ασφάλτου, της μπογιάς κ.λπ., ανασηκώστε πάντα το μηχάνημα από την επιφάνεια μετά τη χρήση, για να αποτρέψετε τη συγκόλλησή της στο δάπεδο, εξαιτίας της θερμότητας. Βεβαιωθείτε ότι η κεφαλή τροχίσματος έχει σταματήσει να περιστρέφεται, πριν ανασηκώσετε το μηχάνημα.
- Τα εργαλεία διαμαντιού μπορεί να καίνε μετά τη χρήση. Αφήστε το μηχάνημα να κρυώσει, πριν αφαιρέσετε τα στοιχεία διαμαντιού. Χρησιμοποιείτε προστατευτικά γάντια.
- Χρησιμοποιείτε πάντα τη θηλεία ανύψωσης που υπάρχει στο μηχάνημα κατά την ανύψωση.
- Μεταφέρετε πάντα το μηχάνημα από τη λαβής μεταφοράς και τη λαβή.

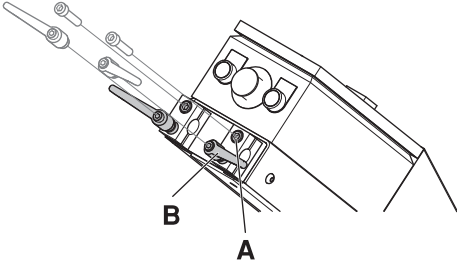
## Μεταφορά και αποθήκευση

- Ασφαλίστε τον εξοπλισμό κατά τη διάρκεια οποιασδήποτε μεταφοράς, ώστε να αποφύγετε τυχόν βλάβες και ατυχήματα.
- Το μηχάνημα πρέπει να μεταφέρεται καλυμμένο, όπου είναι δυνατό, περιορίζοντας την έκθεση σε φυσικά στοιχεία και ιδιαίτερα στη βροχή και το χιόνι.
- Να αποθηκεύετε τον εξοπλισμό σε κλειδωμένο χώρο, ώστε να μην είναι προσβάσιμος σε παιδιά και μη εξουσιοδοτημένα άτομα.
- Το μεχάνημα θα πρέπει να αποθηκεύεται πάντα σε ξερό μέρος όταν δεν χρησιμοποιείται.

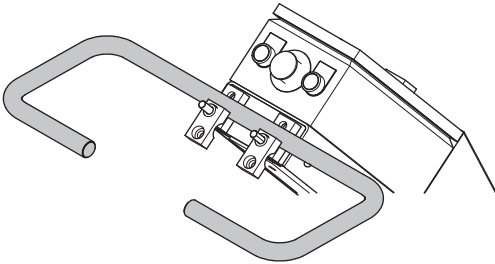
# ΣΥΝΑΡΜΟΛΟΓΗΣΗ

## Τοποθέτηση της λαβής

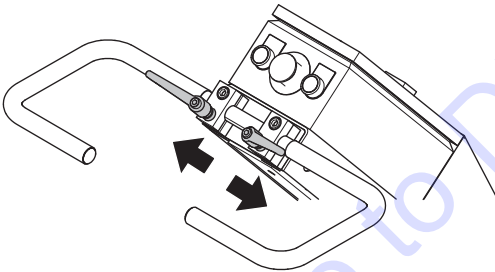
- Αφαιρέστε τις βίδες (A).



- Αφαιρέστε τους διακόπτες κλειδώματος (B).
- Τοποθετήστε τη λαβή στην υποδοχή λαβής στο μηχάνημα.



- Ηπανατοθετήστε τις βίδες (A) και τους διακόπτες κλειδώματος (B).
- Οι διακόπτες κλειδώματος πρέπει να τοποθετηθούν παράλληλα με τη χειρολαβή για να μειωθεί ο κίνδυνος καταστροφής τους όταν το μηχάνημα τοποθετείται στο έδαφος κατά την αλλαγή εργαλείων.



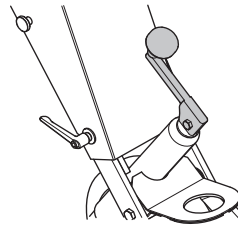
## Αλλαγή των διαμαντιών



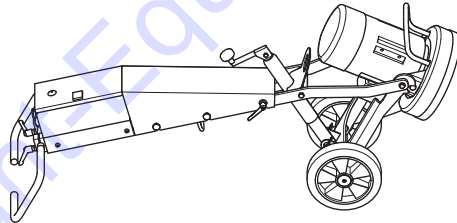
Απενεργοποιείτε το μηχάνημα και αποσυνδέετε το βύσμα ρεύματος.

Να έχετε εύκαιρο ένα ζευγάρι γάντια, καθώς τα διαμάντια μπορούν να υπερθερμανθούν.

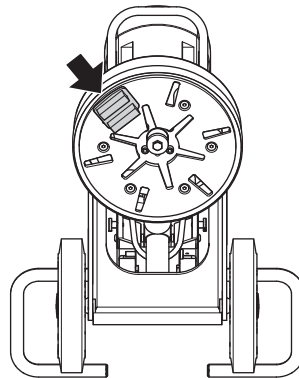
- Γυρίστε τη ράβδο οδήγησης στην υψηλότερη θέση.



- Τραβήξτε τη λαβή προς τα πίσω για να ανασεκώσετε την κεφαλή λείανσης από το δάπεδο.
- Ξαπλώστε το μηχανήμα προς τα πίσω πάνω στο δάπεδο.

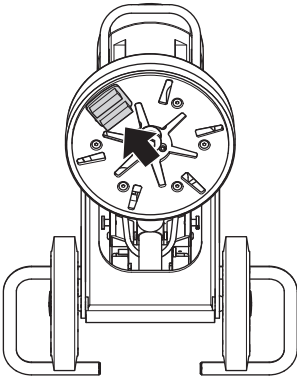


- Φορέστε τα γάντια.
- Χρησιμοποιήστε σφυρί, για να αφαιρέσετε τα στοιχεία διαμαντιού.



# ΣΥΝΑΡΜΟΛΟΓΗΣΗ

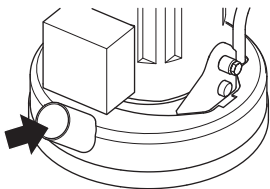
- Στερεώστε νέα στοιχεία διαμαντιού στο δίσκο τροχίσματος.



- Όταν έχουν τοποθετηθεί τα νέα διαμάντια, αντιστρέψτε τη διαδικασία για να χαμελώσετε τη συσκευή μέχρι το δάπεδο.

## Σύνδεση ηλεκτρικής σκούπας

Συνδέστε την ηλεκτρική σκούπα στο μηχάνημα. Χρησιμοποιήστε ένα σωλήνα 50 χιλ. (2 ιντσών).

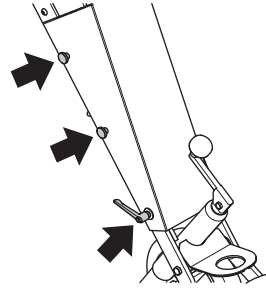


- Χρησιμοποιήστε σύστημα απομάκρυνσης σκόνης Husqvarna για τον πλήρη έλεγχο της σκόνης.
- Βεβαιωθείτε ότι τα φίλτρα στην ηλεκτρική σκούπα είναι άθικτα και καθαρά. Προσέχετε τη σκόνη κατά τη λειτουργία.
- Προσαρμόστε την ελαστική ποδιά έτσι ώστε να εφάπτεται με το δάπεδο προκειμένου να διασφαλιστεί η αποτελεσματική συλλογή σκόνης.

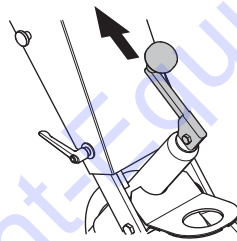
## Μεταφορά

Το μηχάνημα μπορεί να διπλωθεί για την ελαχιστοποίηση του χώρου που απαιτείται για τη μεταφορά.

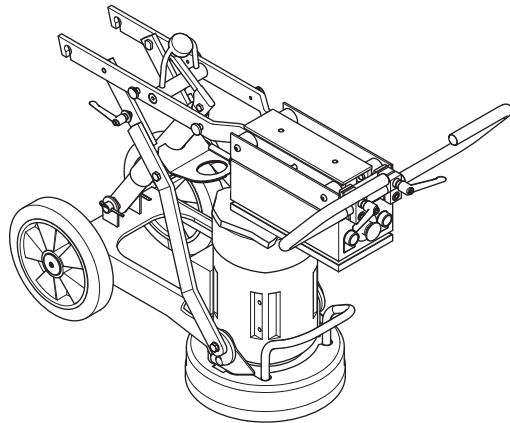
- Χαλαρώστε τις βίδες και τη λαβή ασφάλισης που συγκρατούν το κάλυμμα στη θέση του.



- Αφαιρέστε το κάλυμμα.
- Τοποθετήστε τη μανιβέλα με τη λαβή να έχει φορά ευθεία προς τα επάνω.



- Διπλώστε το μηχάνημα προσεκτικά προς τα εμπρός. Χρησιμοποιήστε ένα προστατευτικό ανάμεσα στο μοτέρ και το ηλεκτρικό κιβώτιο προς αποτροπή ζημιάς στο μηχάνημα.



- Το κάλυμμα μπορεί να προσαρτηθεί πλευρικά στο μηχάνημα.

## Διαμάντια

### Υπόβαθρο

Τα αποξεστικά διαμάντια αποτελούνται συνήθως από 2 μέρες:

- Διαμαντόσκονε (που είναι επίσης γνωστή ως κρύσταλλοι διαμαντιού ή άμμος). Αλλάζοντας το μέγεθος του κόκκου τες διαμαντόσκονες ή τες άμμου, μπορούμε να ελέγξουμε πόσο χονδρές ή λεπτές θα είναι οι γρατζουνιές που θα μείνουν μετά τη διαδικασία λείανσης.
- Συνδετικό υλικό (μέταλλο ή ρετίνε). Η διαμαντόσκονε αναμιγνύεται και μένει σε αιώρεμα μέσα σε μέταλλο ή ρετίνε (συνδετικό υλικό). Όταν βρίσκεται σε αιώρεμα σε μεταλλικό συνδετικό υλικό, το τελικό προϊόν αναφέρεται ως διαμαντόσκονε σε μεταλλικό συνδετικό υλικό ή θερμοσυσσωματωμένη διαμαντόσκονε. Όταν βρίσκεται σε αιώρεμα σε συνδετικό υλικό ρετίνες, το τελικό προϊόν αναφέρεται ως διαμαντόσκονε με συνδετικό υλικό ρετίνες ή γυαλόχαρτο. Αλλάζοντας τη σκληρότητα του συνδετικού υλικού, ελέγχουμε πόσο γρήγορα ή αργά θα φθαρεί το αποξεστικό του διαμαντιού.

### Γενικές αρχές

Παρακάτω δίνονται μερικοί γενικοί κανόνες που αφορούν τη χρήση των διαμαντιών στις εφαρμογές λείανσης. Όπως συμβαίνει με όλους τους γενικούς κανόνες, υπάρχουν και εξαιρέσεις ή περιπτώσεις όπου δεν ισχύουν.

### ΜΓΘΟΣ ΣΩΜΑΤΙΔΙΩΝ ΛΙΑΝΣΗΣ ΔΙΑΜΑΝΤΙΩΝ

Αν αλλάξετε το μέγεθος των σωματιδίων λείανσης των διαμαντιών σε μικρότερο μέγεθος σωματιδίων, αυτό θα επηρεάσει την απόδοση του διαμαντένιου εργαλείου με τους ακόλουθους τρόπους:

- Δεμιουργούνται λεπτότερες γρατζουνιές.
- Αυξάνεται η διάρκεια ζωής του εργαλείου.

Το αντίθετο θα συμβεί αν αλλάξετε σε μεγαλύτερο μέγεθος σωματιδίων.

### Παράγοντας λείανσης

Η αυξημένη σκληρότητα των συνδέσεων:

- Δεμιουργούνται λεπτότερες γρατζουνιές.
- Αυξάνεται η διάρκεια ζωής του εργαλείου.
- Μειώνεται ο ρυθμός παραγωγής.

Τα αντίθετα συμβαίνουν όταν μειωθεί η σκληρότητα του συνδετικού υλικού από μέταλλο ή ρετίνε.

### Αριθμός στοιχείων διαμαντιού κάτω από το μηχανήμα

Ο αυξημένος αριθμός τμημάτων υπό τη συσκευή:

- λλατώνεται η πίεση που ασκείται σε κάθε επιμέρους διαμάντι. – λλατώνεται ο ρυθμός φθοράς των διαμαντιών.
- λαττώνεται το φορτίο στο μηχανήμα και το τριβείο καταναλώνει λιγότερο ρεύμα.
- Δεμιουργούνται ομαλότερες γρατζουνιές (ιδιαίτερα σε μαλακά δάπεδα).

Το αντίθετο θα συμβεί αν μειώσετε τον αριθμό των τμημάτων υπό το μηχανήμα.

### Σύνοψη των αρχών σχετικά με τα διαμάντια

Τα διαμάντια πρέπει να φθείρονται προκειμένου να επιτευχθεί παραγωγικότητα. Η φθορά των διαμαντιών επηρεάζεται από τους εξής παράγοντες:

- Πίεση.
- Σκληρότητα συνδετικού υλικού.
- Μέγεθος κόκκου διαμαντόσκονες.
- Αριθμός τεμαχίων κάτω από το μηχανήμα.
- Με προσθήκη πρόσθετου αποξεστικού (π.χ. άμμος, καρβίδιο πυριτίου) στο δάπεδο, αυξάνεται η φθορά.

Γενικά, όσο γρηγορότερα φθείρεται το διαμάντι, τόσο μεγαλύτερη είναι η παραγωγικότητα. Με αλλαγή των παραπάνω παραγόντων, γίνονται αλλαγές και στα εξής:

- Προφίλ γρατζουνιών.
- Ένταση ρεύματος στο μηχανήμα.
- πιπεδότητα του δαπέδου (δείτε την επόμενη ενότητα).
- υκολία λειτουργίας.

## Καθορισμός τες σκληρότητας του σκυροδέματος

Όλα τα σκυροδέματα μετριοούνται από τεν συμπίεστική τους δύναμη και, ανάλογα με το μέρος του κόσμου στο οποίο βρίσκεστε, τους διαφορετικούς δείκτες συμπίεστικής δύναμης (π.χ. PSI & MPa). Γενικά, όσο υψελότερε είναι ε συμπίεστική δύναμη, τόσο σκληρότερο θα είναι το σκυροδέμα και, ως αποτέλεσμα, τόσο δυσκολότερε θα είναι και ε λειάνσή του.

Όστόσο, υπάρχουν και άλλοι παράγοντες, εκτός από τε συμπίεστική δύναμη, που καθορίζουν τε σκληρότητα ενός δαπέδου και, ως αποτέλεσμα, τεν επιλογή του σωστού διαμαντιού. φόνον ε λειάνσε συνήθως ασχολείται μόνο με τεν επιφάνεια του σκυροδέματος (τα πρώτα 5 χιλ. ή 1/4 τες ίντσας), πολλές φορές ο τρόπος με τον οποίο έχει φινιριστεί το δάπεδο ή ε κατάσταση τες επιφάνειας αποτελούν σεμαντικότερους παράγοντες για τεν επιλογή τύπου διαμαντιού από τε συμπίεστική δύναμη του σκυροδέματος.

### ΠΦΑΝΙΑΚΟΙ ΠΑΡΑΓΟΝΤΣ ΠΟΥ ΠΡΠΙ ΝΑ ΛΗΦΘΟΥΝ ΥΠΟΦΗ ΚΑΤΑ ΤΗΝ ΠΙΛΟΓΗ ΔΙΑΜΑΝΤΙΟΥ

Γενικά, αν μια επιφάνεια σκυροδέματος είναι πολύ ομαλή (δελαδή πιθανώς έχει εξομαλυνθεί και χτυπεθεί πολύ κατά την κατασκευή του), το σκυροδέμα θα συμπεριφέρεται σαν να έχει υψηλή συμπίεστική και, ως αποτέλεσμα, θα απαιτεί μαλακότερα συνδετικά υλικά.

Αντίστοιχα, αν μια επιφάνεια σκυροδέματος είναι τραχιά/ άγρια (π.χ. έχει υποστεί ζεμιά από τε βροχή, έχει χτυπεθεί, έχει τραυματιστεί, έχει εκτεθεί σε αδρανές υλικό, κλπ.), το σκυροδέμα θα συμπεριφέρεται σαν να έχει χαμηλή συμπίεστική δύναμη και, ως αποτέλεσμα, θα απαιτεί σκληρότερα συνδετικά υλικά.

Οι επικαλύψεις/ακαθαρσίες τες επιφάνειας (π.χ. ποξικές επικαλύψεις, κόλλες κεραμικών πλακιδίων, μίγματα/ κονιάματα εξομάλυνσε δαπέδου) πολλές φορές αποτελούν σεμαντικότερους παράγοντες για τεν επιλογή τύπου διαμαντιού από τε συμπίεστική δύναμη του σκυροδέματος.

Ός γενικός κανόνας, όταν λειαίνετε μια πλάκα σκυροδέματος για πρώτη φορά και δεν είστε σίγουροι για τε σκληρότετά του, πάντα να ξεκινάτε με διαμάντια από σκληρότερα συνδετικά υλικά στε συσκευή. Αυτό θα διασφαλίσει τεν μικρότερε δυνατή φθορά των τμεμάτων των διαμαντιών. Αν κάποιο σκληρό τμήμα διαμαντιού δεν είναι αρκετά μαλακό για κάποια εφαρμογή, ε μοναδική επίπτωση είναι το χάσιμο λίγο περισσότερου χρόνου, χωρίς φθορά των διαμαντιών.

Αν συμβεί το αντίθετο (δελαδή χρησιμοποιηθεί τμήμα που είναι πιο μαλακό από ότι χρειάζεται) και το σκυροδέμα είναι μαλακό ή έχει τραχιά επιφάνεια ή επιφανειακές ακαθαρσίες, είναι πολύ πιθανό ότι θα φθαρεί μεγάλο μέρος του διαμαντιού σε πολύ μικρό χρονικό διάστημα.

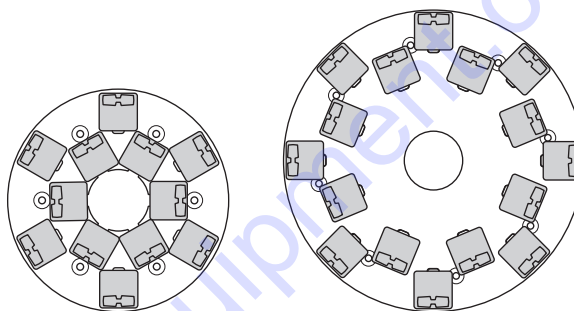
## πιλογή διαμαντιού

Ο τρόπος με τον οποίο τα αδαμαντοφόρα τμήματα είναι διατεταγμένα στη μονάδα του τριβείου, επηρεάζει σημαντικά την απόδοση του μηχανήματος, τα επίπεδα παραγωγικότητας και την τελική ποιότητα του δαπέδου.

Υπάρχουν διάφορες διατάξεις διαμαντιών που μπορούν να επιτευχθούν τόσο στο PG 400 όσο και στο PG 280.

### Πυροσυσσωματωμένα διαμάντια

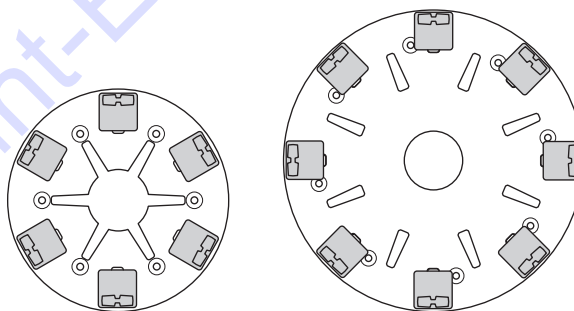
#### Πλήρες σετ - εσωτερική και εξωτερική σειρά



PG 280

PG 400

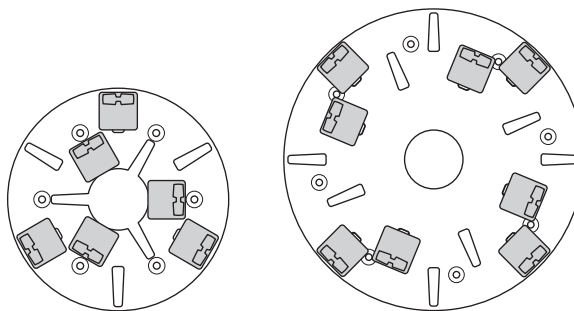
#### Πλήρες σετ - εξωτερική σειρά



PG 280

PG 400

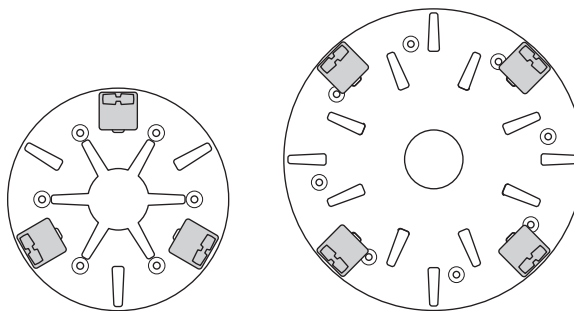
#### Μισό σετ - εσωτερική και εξωτερική σειρά



PG 280

PG 400

#### Μισό σετ - εξωτερική σειρά



PG 280

PG 400



# ΟΔΗΓΟΣ ΤΡΟΧΙΣΜΑΤΟΣ

**Ηπιλέξτε την ενδεδειγμένη για την εφαρμογή σας διάταξη πυροσυσσωματωμένων διαμαντιών**

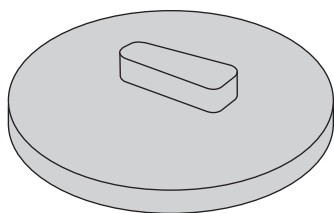
H ακόλουθη σύσταση καλύπτει τις βασικές διατάξεις για εργαλεία πυροσυσσωματωμένων διαμαντιών.

Συνθήκες χρήσης	Μεταλλικό συνδετικό υλικό	Μέγεθος κόκκου	Πλήρες σετ - εσωτερική και εξωτερική σειρά	Πλήρες σετ - εξωτερική σειρά	Μισό σετ - εσωτερική και εξωτερική σειρά	Μισό σετ - εξωτερική σειρά
Ξομάλυνσε δαπέδου – Σκληρό σκυρόδεμα	Μαλακό	16 ή 30	X			
Ξομάλυνσε δαπέδου – Μέτριο σκυρόδεμα	Μέτριο	16 ή 30	X			
Ξομάλυνσε δαπέδου – Μαλακό σκυρόδεμα	Σκληρό	16 ή 30	X			
Αφαίρεσε κόλλας κεραμικών πλακιδίων	Μέτριο	PIRANHAS 16-30	X			
Αφαίρεσε κόλλας βινυλίου ή κόλλας χαλιών – Σκληρό σκυρόδεμα	Μαλακό	PIRANHAS 16-30			X	X
Αφαίρεσε κόλλας βινυλίου ή κόλλας χαλιών – Μέτριο σκυρόδεμα	Μέτριο	PIRANHAS 16-30			X	X
Αφαίρεσε κόλλας βινυλίου ή κόλλας χαλιών – Μαλακό σκυρόδεμα	Σκληρό	PIRANHAS 16-30			X	X
Αφαίρεσε εποξικής βαφής – Σκληρό σκυρόδεμα	Μαλακό	PIRANHAS 16-30		X	X	
Αφαίρεσε εποξικής βαφής – Μέτριο σκυρόδεμα	Μέτριο	PIRANHAS 16-30		X		
Αφαίρεσε εποξικής βαφής – Μαλακό σκυρόδεμα	Σκληρό	PIRANHAS 16-30		X		
Σκυρόδεμα που έχει φθαρεί από τε βροχή	Σκληρό	16-30	X		X	
Ξομάλυνσε εκτεθειμένου αδρανούς υλικού	Σκληρό	16-30	X		X	
Αφαίρεσε άκρων σε μωσαϊκό / πέτρινα πλακίδια	Μαλακό	30 ή 60	X			
πιφανειακό φινίρισμα δαπέδων σκυροδέματος – Σκληρό σκυρόδεμα	Μαλακό	60			X	X
πιφανειακό φινίρισμα δαπέδων σκυροδέματος – Μέτριο σκυρόδεμα	Μέτριο	60			X	X
πιφανειακό φινίρισμα δαπέδων σκυροδέματος – Μαλακό σκυρόδεμα	Σκληρό	60			X	X
Λείανσε έκθεσες αδρανούς υλικού σε σκυρόδεμα – Σκληρό σκυρόδεμα	Μαλακό	16-30	X	X	X	
Λείανσε έκθεσες αδρανούς υλικού σε σκυρόδεμα – Μεσαίο σκυρόδεμα	Μέτριο	16-30	X	X	X	
Λείανσε έκθεσες αδρανούς υλικού σε σκυρόδεμα – Μαλακό σκυρόδεμα	Σκληρό	16-30	X		X	
Ξομάλυνσε δαπέδων σκυροδέματος με κυματοειδή μορφή – Σκληρό σκυρόδεμα	Μαλακό	16 ή 30	X	X	X	
Ξομάλυνσε δαπέδων σκυροδέματος με κυματοειδή μορφή – Μέτριο σκυρόδεμα	Μέτριο	16 ή 30	X		X	
Ξομάλυνσε δαπέδων σκυροδέματος με κυματοειδή μορφή – Μαλακό σκυρόδεμα	Σκληρό	16 ή 30	X		X	

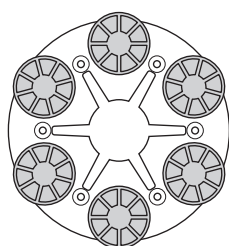
# ΟΔΗΓΟΣ ΤΡΟΧΙΣΜΑΤΟΣ

## Συγκολλημένα με ρητίνη διαμάντια

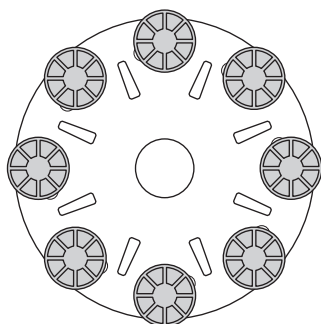
Προσαρμογέας σύνδεσης ρητίνης Redi Lock



Πλήρες σετ - εξωτερική σειρά

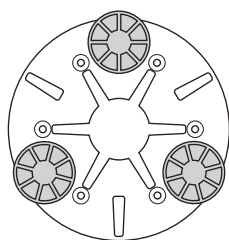


PG 280

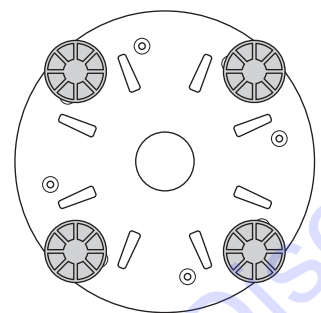


PG 400

Μισό σετ - εξωτερική σειρά



PG 280



PG 400

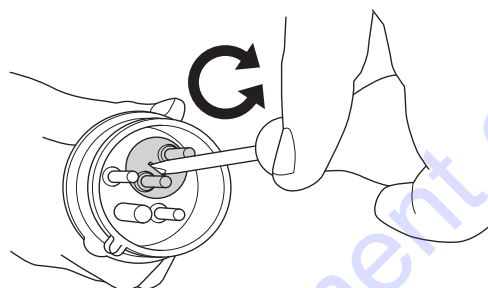
**Ηπιλογή της ενδεδειγμένης για την εφαρμογή σας διάταξης συγκολλημένων με ρητίνη διαμαντιών**

Συνθήκες χρήσης	Πλήρες σετ - εξωτερική σειρά	Μισό σετ - εξωτερική σειρά
Στίλβωση επιφανειών terrazzo/πέτρινων πλακιδίων	X	
Αποκατάσταση επιφανειών terrazzo/πέτρινων πλακιδίων		X
πιφανειακό φινίρισμα δαπέδων σκυροδέματος – Σκληρό σκυρόδεμα		X
πιφανειακό φινίρισμα δαπέδων σκυροδέματος – Μέτριο σκυρόδεμα		X
πιφανειακό φινίρισμα δαπέδων σκυροδέματος – Μαλακό σκυρόδεμα		X

## Κατεύθυνση περιστροφής του μοτέρ (Τριφασική)

Η κατεύθυνση του μοτέρ μπορεί να αλλάξει με αναστροφή των πόλων στο βύσμα τροφοδοσίας.

**ΠΡΟΣΗΘΗ!** Τα εργαλεία Piranha/PCD είναι σχεδιασμένα να λειτουργούν σε μία μόνο κατεύθυνση.

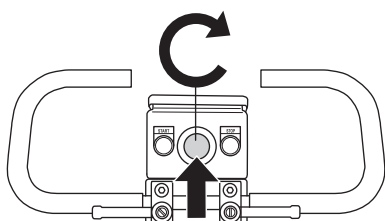


# ΞΗΚΙΝΗΜΑ ΚΑΙ ΣΤΑΜΑΤΗΜΑ

## Πριν την εκκίνηση



- Τοποθετήστε το τριβείο στεν περιοχή εργασίας.
- Βεβαιωθείτε ότι υπάρχουν διαμάντια κάτω από το μηχάνημα και ότι έχουν προσαρτηθεί σταθερά.
- Συνδέστε την ηλεκτρική σκούπα στο μηχάνημα.
- Χρησιμοποιήστε τους διακόπτες κλειδώματος για να ρυθμίσετε τη χειρολαβή στο πιο άνετο ύψος κατά την εργασία.
- Συνδέστε την ηλεκτρική τροφοδοσία στο μηχανήμα.
- Ηλέγξτε ότι το κουμπί έκτακτης ανάγκης δεν έχει πατηθεί, στρέφοντάς τα δεξιόστροφα.

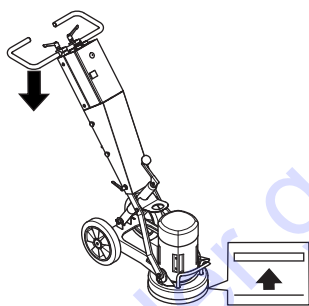


- Ηλέγξτε την κατεύθυνση περιστροφής του μηχανήματος.

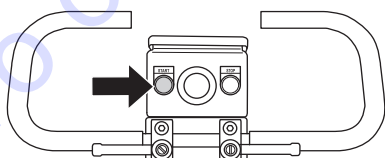
## Ηκκίνηση



- Μειώστε την πίεση ανάμεσα στο δίσκο τροχίσματος και στο δάπεδο σπρώχνοντας προς τα κάτω τη λαβή χωρίς να σηκώνετε τη μονάδα τροχίσματος από το έδαφος.



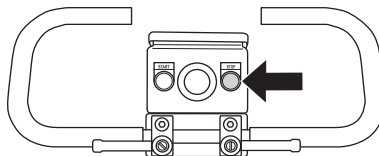
- Πατήστε το κουμπί εκκίνησης και κρατήστε το πατημένο μερικά δευτερόλεπτα για την εκκίνηση του μηχανήματος.



## Σταμάτημα



- Χρησιμοποιήστε το κουμπί διακοπής, για να απενεργοποιήσετε το μηχάνημα.



- Διατηρείτε τα τμήματα λείανσης σε επαφή με το δάπεδο κατά τη διακοπή. Με αυτό τον τρόπο το μηχάνημα θα σταματήσει εντελώς γρήγορα. Μην ανασκώνετε την κεφαλή λείανσης από το δάπεδο κατά τη διακοπή καθώς ενδέχεται να δημιουργηθεί πολύ σκόνη στον αέρα.
- Αποσυνδέστε το φως.

## Σφάλματα και αντιμετώπιση προβλημάτων

### Η συσκευή δεν ενεργοποιείται

- Ηλέγξτε την τροφοδοσία ρεύματος και τα καλώδια ρεύματος και βεβαιωθείτε ότι δεν είναι κατεστραμμένα.
- Ηλέγξτε ότι το κουμπί έκτακτης ανάγκης δεν έχει πατηθεί, στρέφοντας τα δεξιόστροφα.

### Είναι δύσκολο να κρατηθεί η συσκευή

- Δεν υπάρχουν αρκετά διαμάντια κάτω από το μηχανάκι (στην περίπτωση λιπανσης χονδρής κόλλας ή μαλακών δαπέδων, αν υπάρχουν πολύ λίγα διαμάντια κάτω από το μηχανάκι, θα αυξηθεί σημαντικά το φορτίο στο τριβείο και στο χειριστή). Συνήθως, σε αυτή την περίπτωση, υπάρχει και μεγάλη κατανάλωση ρεύματος στο κινητήρα.

Αυξήστε τον αριθμό των διαμαντιών κάτω από το μηχανάκι για να ελαττώσετε το φορτίο στο τριβείο και στο χειριστή.

### Η συσκευή αναπεδά

- Τα ελαστικά αντικραδασμικά προστατευτικά στη μονάδα τροχίσματος ενδέχεται να έχουν φθαρεί ή καταστραφεί. Καθαρίστε και αντικαταστήστε εάν είναι απαραίτητα.
- Τα διαμάντια μπορεί να μην έχουν τοποθετηθεί σωστά ή να έχει διαφορετική ύψη. Βεβαιωθείτε ότι όλα τα διαμάντια έχουν τοποθετηθεί σωστά και ότι έχουν το ίδιο ύψος.

### Το μηχάνημα σταματά μετά από λίγο

- Το μηχάνημα παρουσιάζει υπερφόρτιση και η προστασία από υπερφόρτιση έχει ενεργοποιηθεί. Μείωση φορτίου. Το μηχάνημα θα επανεκκινηθεί μετά από περίπου ένα λεπτό, όταν κρυώσει ο κινητήρας.

### Το μηχάνημα σταματά κατά την εκκίνηση

- Το ηλεκτρικό μοτέρ υπερφορτίστηκε ή λείπει κάποια φάση. Περιμένετε ένα ή δύο λεπτά για να επανέλθει το μηχάνημα και δοκιμάστε ξανά. Αν αυτό δεν βοηθάει, ελάτε σε επαφή με ένα επίσημο συνεργείο επισκευής.

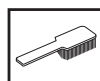
## Συντήρηση



**ΣΗΜΑΝΤΙΚΟ!** Ο έλεγχος και/ή η συντήρηση πρέπει να γίνεται με τον κινητήρα σταματημένο, με το βύσμα βγαλμένο από τη πρίζα.

Όταν χρησιμοποιείται σωστά, η συσκευή έχει πολύ χαμηλές απαιτήσεις συντήρησης και είναι αξιόπιστη.

### Καθαρισμός



Να βγάζετε πάντοτε το καλώδιο παροχής ρεύματος από την μπρίζα πριν από καθαρισμό, συντήρηση ή συναρμολόγηση.

Καθαρίζετε πάντα ολόκληρο τον εξοπλισμό στο τέλος της ημέρας εργασίας. Μην χρησιμοποιείτε ροδέλα υψηλής πίεσης, για να καθαρίσετε το μηχάνημα.

Για να έχει πάντοτε το μηχανάκι επαρκή ψύξη θα πρέπει τα ανοίγματα των αεραγωγών να είναι πάντα ελεύθερα και καθαρά.

### Ελαστικά αντικραδασμικά προστατευτικά

Ηλέγχετε τα ελαστικά αντικραδασμικά προστατευτικά κάθε μήνα. Αντικαταστήστε εάν είναι απαραίτητα.

### Παροχή ηλεκτρικού ρεύματος



**ΠΡΟΗΙΔΟΠΟΙΗΣΗ!** Ποτέ με χρησιμοποιείτε φθαρμένα καλώδια. Μπορούν να προκαλέσουν σοβαρό τραυματισμό, ακόμη και θάνατεφόρο.

Ηλέγξτε ότι το καλώδιο και το καλώδιο μπαλαντέζας είναι ακέραια και σε καλή κατάσταση.

Μην χρησιμοποιείτε το μηχάνημα αν το καλώδιο είναι φθαρμένο, αλλά αφήστε το σε ένα εξουσιοδοτημένο συνεργείο για επισκευή.

### Ποδιά

Βεβαιωθείτε ότι η λαστιχένια επένδυση είναι άθικτη και καθαρή και ότι στεγανοποιείται σφιχτά στο δάπεδο. Η κατεστραμμένη λαστιχένια επένδυση πρέπει να αντικαθίσταται πάντα.

### Σέρβις



**ΣΗΜΑΝΤΙΚΟ!** Όλα τα είδη των επισκευών πρέπει να γίνονται αποκλειστικά από εξουσιοδοτημένους τεχνικούς. Αυτό πρέπει να γίνεται για να μην εκτεθούν οι χειριστές σε μεγάλους κινδύνους.

# ΤΗΧΝΙΚΑ ΣΤΟΙΧΗΙΑ

## PG 280

	PG 280 (Τριφασική, 380-480V)		PG 280 (Μονοφασικός, 220-240V)		PG 280 (Μονοφασικός, 100-120V)	
	50 Hz		50 Hz	60 Hz	50 Hz	60 Hz
Ισχύς Κινητήρα, kW/hr	3,0/4,0		2,2/3,0	2,2/3,0	1,5/2,0	1,5/2,0
Ονομαστικό ρεύμα, A	6		13	13	18	18
Μέγιστη επιτρεπτή τάση, V	380-480		220-240	220-240	100-120	100-120
Βάρος, kg/lbs	70/154		70/154	70/154	70/154	70/154
Πλάτος λειάνσεως, mm/ίντσες	280/11		280/11	280/11	280/11	280/11
Πίεση λειάνσεως, kg/lbs	35/77		35/77	35/77	35/77	35/77
Ταχύτητα, σ.α.λ	2800		1400	1720	960	1160
<b>Ηκπομπές θορύβου (βλ.σεμ. 1)</b>						
Μετρημένη ηχητική στάθμη σε dB(A)	107		107	107	107	107
Ηγγυημένη ηχητική στάθμη L <sub>WA</sub> dB(A)	108		108	108	108	108
<b>Στάθμες θορύβου (βλ. σεμ. 2)</b>						
Ισοδύναμη εχετική πίεση στο αυτί του χειριστή, dB(A)	89		89	89	89	89
<b>Στάθμες κραδασμών (βλ. σεμ. 3)</b>						
Λαβή δεξιά, m/s <sup>2</sup>	3,4		3,4	3,4	3,4	3,4
Λαβή αριστερά, m/s <sup>2</sup>	3,4		3,4	3,4	3,4	3,4

## PG 400

	PG 400 (Τριφασική, 200-240V)		PG 400 (Τριφασική, 380-480V)		PG 400 (Μονοφασικός, 220-240V)	
	50 Hz	60 Hz	50 Hz	60 Hz	50 Hz	60 Hz
Ισχύς Κινητήρα, kW/hr	4,0/5,4	4,8/6,5	4,0/5,4	4,8/6,5	3,0/4,0	3,0/4,0
Ονομαστικό ρεύμα, A	15	15	9	9	16	18
Μέγιστη επιτρεπτή τάση, V	200-240	200-240	380-480	380-480	220-240	220-240
Βάρος, kg/lbs	115/254	115/254	115/254	115/254	115/254	115/254
Πλάτος λειάνσεως, mm/ίντσες	400/16	400/16	400/16	400/16	400/16	400/16
Πίεση λειάνσεως, kg/lbs	65/143	65/143	65/143	65/143	65/143	65/143
Ταχύτητα, σ.α.λ	1430	1720	1430	1720	960	1160
<b>Ηκπομπές θορύβου (βλ.σεμ. 1)</b>						
Μετρημένη ηχητική στάθμη σε dB(A)	107	107	107	107	107	107
Ηγγυημένη ηχητική στάθμη L <sub>WA</sub> dB(A)	108	108	108	108	108	108
<b>Στάθμες θορύβου (βλ. σεμ. 2)</b>						
Ισοδύναμη εχετική πίεση στο αυτί του χειριστή, dB(A)	89	89	89	89	89	89
<b>Στάθμες κραδασμών (βλ. σεμ. 3)</b>						
Λαβή δεξιά, m/s <sup>2</sup>	3,4	3,4	3,4	3,4	3,4	3,4
Λαβή αριστερά, m/s <sup>2</sup>	3,4	3,4	3,4	3,4	3,4	3,4

Σημείωση 1: Οι εκπομπές θορύβου στο περιβάλλον ελέγχονται ως εχετική ισχύς (LWA) σύμφωνα με το πρότυπο EN 61029-1.

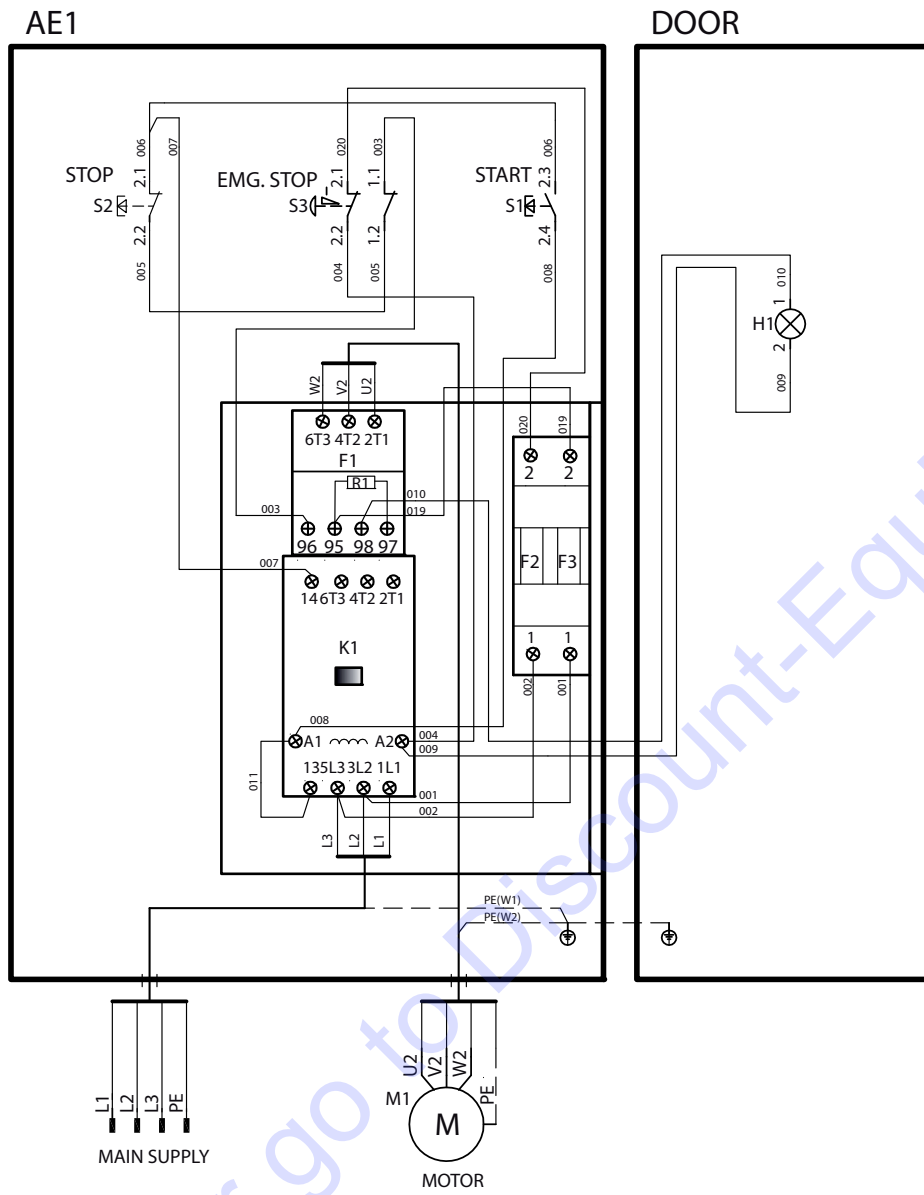
Σημείωση 2: Ηπίεδο θορύβου σύμφωνα με το πρότυπο EN 61029-1. Τα καταγεγραμμένα στοιχεία για τη στάθμη πίεσης θορύβου έχουν μία τυπική στατιστική διασπορά (τυπική απόκλιση) της τάξης του 1.0 dB(A).

Σημείωση 3: Ηπίεδο κραδασμών σύμφωνα με το πρότυπο EN 61029-1. Τα καταγεγραμμένα στοιχεία για τη στάθμη κραδασμών έχουν μία τυπική στατιστική διασπορά (τυπική απόκλιση) της τάξης του 1 m/s<sup>2</sup>.

# ΣΧΔΙΟ ΚΑΛΩΔΙΩΣΗΣ

Τριφασική

PG 280 / PG 400

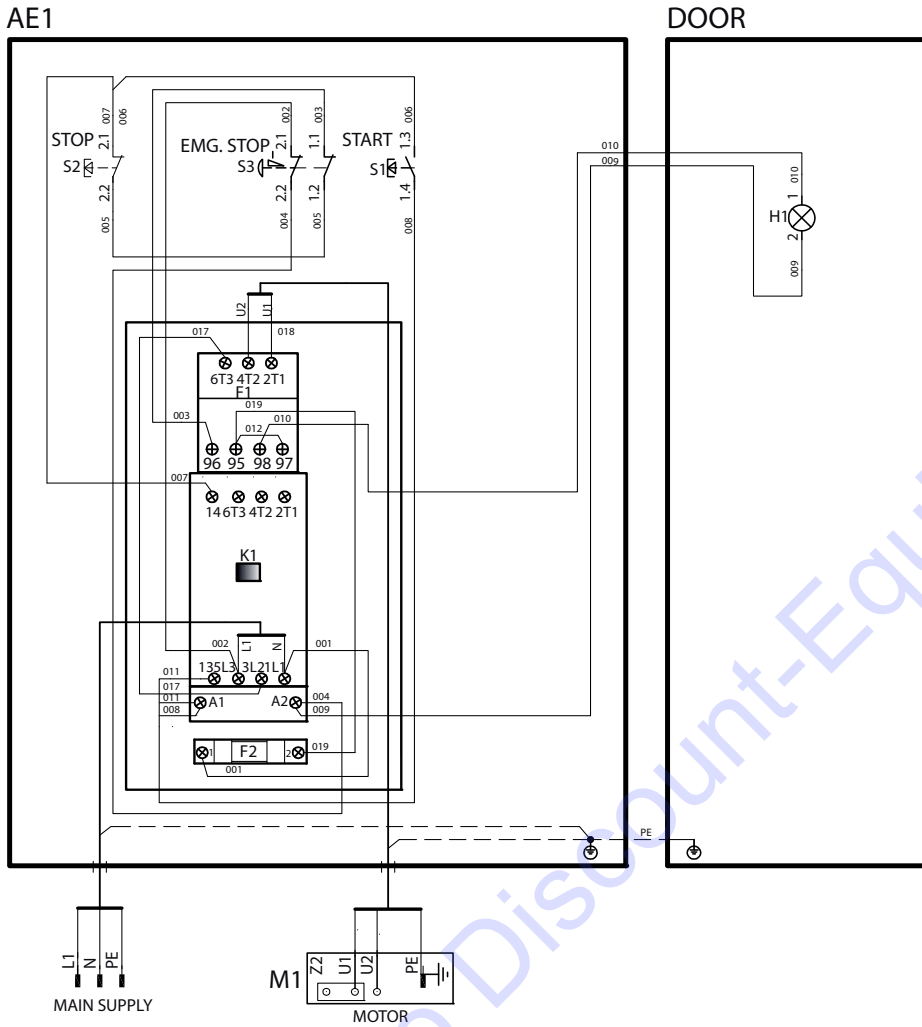


U2	V2	W2	PE
L1	L2	L3	PE
Variant 1	Black	Red	White
Variant 2	Brown	Black	Grey

# ΣΧΔΙΟ ΚΑΛΩΔΙΩΣΗΣ

## Μονοφασικός

PG 280 / PG 400



U1	U2	PE
L1	N	PE
Variant 1	Black	White
Variant 2	Brown	Blue
		Green
		Ye/Gn

To order go to [Discount-Equipment.com](http://Discount-Equipment.com)

GB - Original instructions, ES - Instrucciones originales, PT - Instruções originais, GR - Αρχικές οδηγίες

1154225-30



2013-02-27 rev3



**TO PURCHASE THIS PRODUCT PLEASE CONTACT US**



**Equipment Financing and  
Extended Warranties Available**



**Discount-Equipment.com is your online resource for  
commercial and industrial quality parts and equipment sales.**

**561-964-4949**

**visit us on line @ [www.discount-equipment.com](http://www.discount-equipment.com)**

Select an option below to find your Equipment

**Search by Manufacturer**

**Search by Product Type**

**Request a Quote**

We sell worldwide for the brands: Genie, Terex, JLG, MultiQuip, Mikasa, Essick, Whiteman, Mayco, Toro Stone, Diamond Products, Generac Magnum, Airman, Haulotte, Barreto, Power Blanket, Nifty Lift, Atlas Copco, Chicago Pneumatic, Allmand, Miller Curber, Skyjack, Lull, Skytrak, Tsurumi, Husquvarna Target, Stow, Wacker, Sakai, Mi-T-M, Sullair, Basic, Dynapac, MBW, Weber, Bartell, Bennar Newman, Haulotte, Ditch Runner, Menegotti, Morrison, Contec, Buddy, Crown, Edco, Wyco, Bomag, Laymor, EZ Trench, Bil-Jax, F.S. Curtis, Gehl Pavers, Heli, Honda, ICS/PowerGrit, IHI, Partner, Imer, Clipper, MMD, Koshin, Rice, CH&E, General Equipment, Amida, Coleman, NAC, Gradall, Square Shooter, Kent, Stanley, Tamco, Toku, Hatz, Kohler, Robin, Wisconsin, Northrock, Oztec, Toker TK, Rol-Air, APT, Wylie, Ingersoll Rand / Doosan, Innovatech, Con X, Ammann, Mecalac, Makinex, Smith Surface Prep, Small Line, Wanco, Yanmar