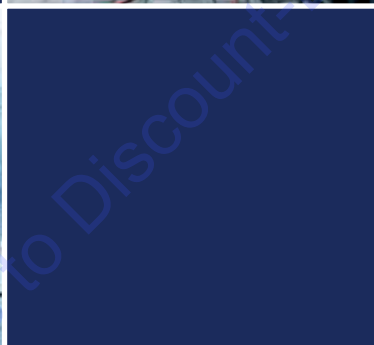




Husqvarna®



**Operator's manual Bedienungsanweisung
Manuel d'utilisation Gebruiksaanwijzing**

**DS1 50 DS250
DS250 Single speed
DS250 Single speed short**



GB DE FR NL

Please read the operator's manual carefully and make sure you understand the instructions before using the machine
Lesen Sie die Bedienungsanweisung sorgfältig durch und machen. Sie sich mit dem Inhalt vertraut, bevor Sie das Gerät
benutzen.

Lire attentivement et bien assimiler le manuel d'utilisation avant d'utiliser la machine.

Neem de gebruiksaanwijzing grondig door en gebruik de machine niet voor u alles duidelijk heeft begrepen.

**Discount
Equipment**

TO PURCHASE THIS PRODUCT PLEASE CONTACT US



**Equipment Financing and
Extended Warranties Available**



**Discount-Equipment.com is your online resource for
commercial and industrial quality parts and equipment sales.**

561-964-4949

visit us on line @ www.discount-equipment.com

Select an option below to find your Equipment

Search by Manufacturer

Search by Product Type

Request a Quote

We sell worldwide for the brands: Genie, Terex, JLG, MultiQuip, Mikasa, Essick, Whiteman, Mayco, Toro Stone, Diamond Products, Generac Magnum, Airman, Haulotte, Barreto, Power Blanket, Nifty Lift, Atlas Copco, Chicago Pneumatic, Allmand, Miller Curber, Skyjack, Lull, Skytrak, Tsurumi, Husquvarna Target, Stow, Wacker, Sakai, Mi-T-M, Sullair, Basic, Dynapac, MBW, Weber, Bartell, Bennar Newman, Haulotte, Ditch Runner, Menegotti, Morrison, Contec, Buddy, Crown, Edco, Wyco, Bomag, Laymor, EZ Trench, Bil-Jax, F.S. Curtis, Gehl Pavers, Heli, Honda, ICS/PowerGrit, IHI, Partner, Imer, Clipper, MMD, Koshin, Rice, CH&E, General Equipment, Amida, Coleman, NAC, Gradall, Square Shooter, Kent, Stanley, Tamco, Toku, Hatz, Kohler, Robin, Wisconsin, Northrock, Oztec, Toker TK, Rol-Air, APT, Wylie, Ingersoll Rand / Doosan, Innovatech, Con X, Ammann, Mecalac, Makinex, Smith Surface Prep, Small Line, Wanco, Yanmar

KEY TO SYMBOLS

Symbols on the machine

WARNING! The machine can be a dangerous tool if used incorrectly or carelessly, which can cause serious or fatal injury to the operator or others.



Please read the operator's manual carefully and make sure you understand the instructions before using the machine.



Other symbols/decals on the machine refer to special certification requirements for certain markets.

Explanation of warning levels

The warnings are graded in three levels.

WARNING!



WARNING! Used if there is a risk of serious injury or death for the operator or damage to the surroundings if the instructions in the manual are not followed.

CAUTION!



CAUTION! Used if there is a risk of injury to the operator or damage to the surroundings if the instructions in the manual are not followed.

NOTICE!

NOTICE! Used if there is a risk of damage to materials or the machine if the instructions in the manual are not followed.

CONTENTS

Contents

KEY TO SYMBOLS

Symbols on the machine 2

Explanation of warning levels 2

CONTENTS

Contents 3

PRESENTATION

Dear Customer, 4

Design and features 4

Drill stands 5

WHAT IS WHAT?

What is what on the stand? 7

MACHINE'S SAFETY EQUIPMENT

General 8

Carriage lock 8

OPERATING

Steps before using a new stand 9

Protective equipment 9

General safety precautions 10

General working stand safety warnings 10

ASSEMBLY

Fit the wheel kit 11

Secure the stand 11

Assembly of drill motor 12

Adjust the column tilt 13

Drilling in the ceiling 13

MAINTENANCE

Stand maintenance 14

TECHNICAL DATA

EC Declaration of Conformity 15

PRESENTATION

Dear Customer,

Thank you for choosing a Husqvarna product!

It is our wish that you will be satisfied with your product and that it will be your companion for a long time. A purchase of one of our products gives you access to professional help with repairs and services. If the retailer who sells your machine is not one of our authorised dealers, ask him for the address of your nearest service workshop.

This operator's manual is a valuable document. Make sure it is always at hand at the work place. By following its content (using, service, maintenance etc.) the life span and the second-hand value of the machine can be extended. If you will sell this machine, make sure that the buyer will get the operator's manual.

More than 300 years of innovation

Husqvarna AB is a Swedish company based on a tradition that dates back to 1689, when the Swedish King Charles XI ordered the construction of a factory for production of muskets. At that time, the foundation was already laid for the engineering skills behind the development of some of the world's leading products in areas such as hunting weapons, bicycles, motorcycles, domestic appliances, sewing machines and outdoor products.

Husqvarna is the global leader in outdoor power products for forestry, park maintenance and lawn and garden care, as well as cutting equipment and diamond tools for the construction and stone industries.

Owner responsibility

It is the owner's/employer's responsibility that the operator has sufficient knowledge about how to use the machine safely. Supervisors and operators must have read and understood the Operator's Manual. They must be aware of:

- The machine's safety instructions.
- The machine's range of applications and limitations.
- How the machine is to be used and maintained.

National legislation could regulate the use of this machine. Find out what legislation is applicable in the place where you work before you start using the machine.

The manufacturer's reservation

Subsequent to publishing this manual Husqvarna may issue additional information for safe operation of this product. It is the owner's obligation to keep up with the safest methods of operation.

Husqvarna AB has a policy of continuous product development and therefore reserves the right to modify the design and appearance of products without prior notice.

Design and features

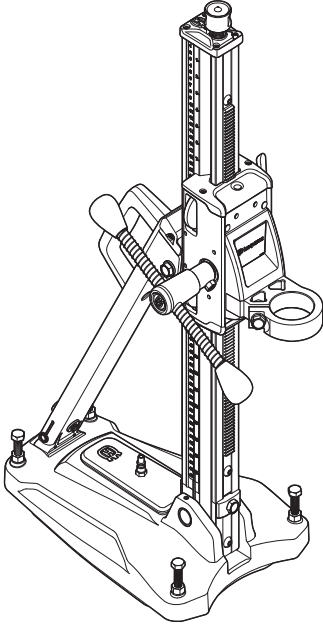
Values such as high performance, reliability, innovative technology, advanced technical solutions and environmental considerations distinguish Husqvarna's products. Safe operation of this product requires the operator to read this manual carefully. Ask your dealer or Husqvarna should you need more information.

Some of the unique features of your product are described below.

PRESENTATION

Drill stands

DS150

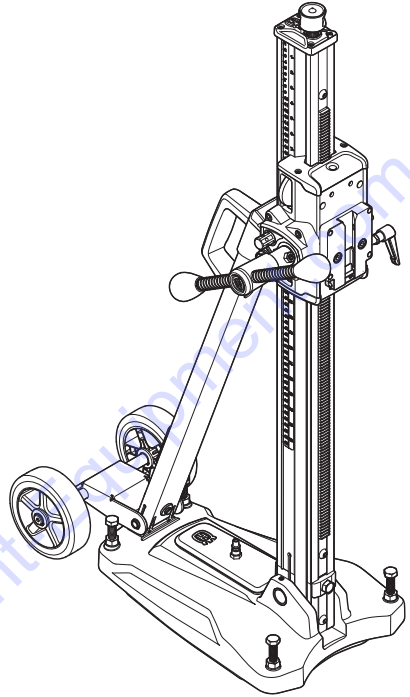


- The stand is for drilling in ceilings, walls and floors.
- The baseplate is made of aluminium making it very light in weight. It has an inbuilt vacuum plate.
- The column can be tilted 0-60°.
- The stand is fitted with a collar.
- The feed handle can be used to loosen and tighten the collar, adjust the adjustment bolts in the baseplate and to adjust the angle of the column.

Accessories

- Gear box
- Wheel set
- VP 200 Vacuum pump

DS250



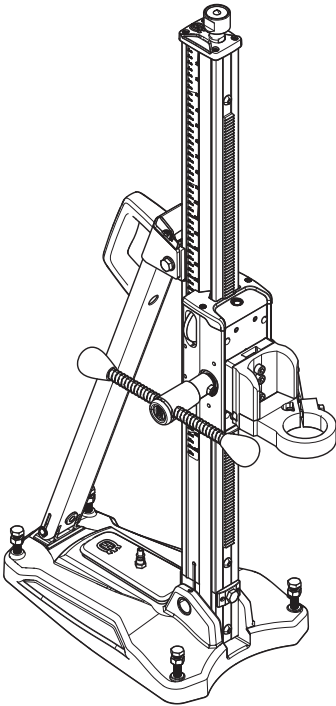
- The stand is for drilling in ceilings, walls and floors.
- The baseplate is made of aluminium making it very light in weight. It has an inbuilt vacuum plate.
- The column can be tilted 0-60°.
- The drill stand is equipped with a quick connection plate for the drillmotor.
- The wheel kit is removable.
- The feeder housing's transmission is adjustable. The higher gives 2.25:1 and the lower, 1:1.
- Feed lever can be used to adjust base plate leveling screws and set desired column tilt.

Accessories

- Collar to fit to the quick mounting bracket
- VP 200 Vacuum pump

PRESENTATION

DS250 Single speed

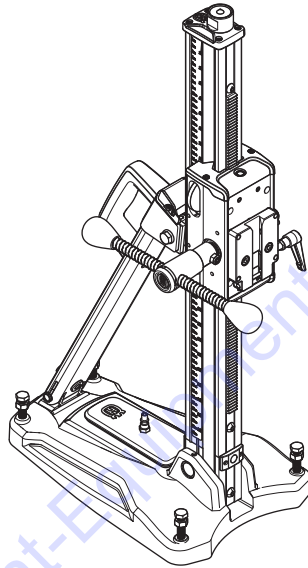


- The stand is for drilling in ceilings, walls and floors.
- The baseplate is made of aluminium making it very light in weight. It has an inbuilt vacuum plate.
- The column can be tilted 0-60°.
- The drill stand is fitted with a quick mounting bracket and a collar.
- Feed lever can be used to adjust base plate leveling screws and set desired column tilt.

Accessories

- Wheel set
- VP 200 Vacuum pump

DS250 Single speed short

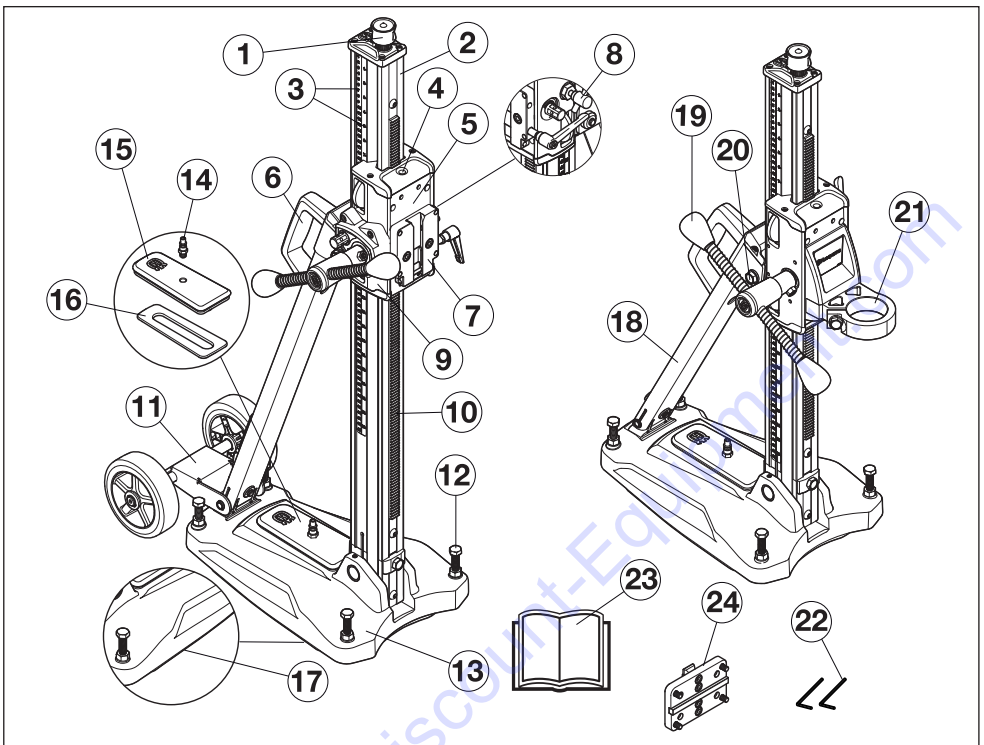


- The stand is for drilling in ceilings, walls and floors.
- The baseplate is made of aluminium making it very light in weight. It has an inbuilt vacuum plate.
- The column can be tilted 0-60°.
- The drill stand is fitted with a quick mounting bracket .
- Feed lever can be used to adjust base plate leveling screws and set desired column tilt.

Accessories

- Wheel set
- VP 200 Vacuum pump

WHAT IS WHAT?



What is what on the stand?

- | | |
|---|--|
| 1 Jacking screw | 13 Baseplate with integrated vacuum function |
| 2 Drill column | 14 Quick coupling for vacuum pressure |
| 3 Depth and tilt scale | 15 Vacuum cover |
| 4 Vertical and horizontal level indicator | 16 Gasket, vacuum cover |
| 5 Carriage | 17 Gasket, base vacuum suction |
| 6 Carrying handle | 18 Back support |
| 7 Locking clamp (quick mounting) | 19 Feed lever |
| 8 Carriage lock | 20 Locking screw, column tilt |
| 9 Gear box | 21 Collar |
| 10 Gear rack | 22 Allen key (3 mm, 4 mm) |
| 11 Wheel set (removable) | 23 Operator's manual |
| 12 Leveling adjustment screws | 24 Mounting plate |

MACHINE'S SAFETY EQUIPMENT

General



WARNING! Never use a machine with faulty safety equipment. The machine's safety equipment must be checked and maintained as described in this section. If your machine fails any of these checks contact Discount-equipment to get it repaired.

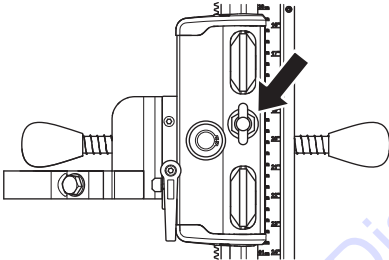
This section describes the machine's safety equipment, its purpose, and how checks and maintenance should be carried out to ensure that it operates correctly.

Carriage lock

The carriage lock is used when replacing the drill bit and mounting the drill motor. The lock consists of a knob that locks the carriage to the drill column.

Carriage lock inspection

- Turn the knob to lock it.



- Feel by hand that the carriage is locked to the drill column.

OPERATING

Steps before using a new stand

- Please read the operator's manual carefully and make sure you understand the instructions before using the machine.
- This machine is designed for and intended for drilling concrete, brick and different stone materials. All other use is improper.
- The machine is intended for use in industrial applications by experienced operators.
- Keep the workplace tidy. Disorder leads to accident risks.
- Also read the operating manual enclosed with the drill motor and check that its performance is compatible with the stand.

Always use common sense

It is not possible to cover every conceivable situation you can face. Always exercise care and use your common sense. Avoid all situations which you consider to be beyond your capability. If you still feel uncertain about operating procedures after reading these instructions, you should consult an expert before continuing.

Do not hesitate to contact Discount-equipment if you have any more questions about the use of the machine. We will willingly be of service and provide you with advice as well as help you to use your machine both efficiently and safely.

Let Discount-equipment regularly check the machine and make essential adjustments and repairs.

All information and all data in the Operator's Manual were applicable at the time the Operator's Manual was sent to print.



WARNING! Under no circumstances should you modify the original design of the machine without approval from the manufacturer. Always use original spare parts. Unauthorized modifications and/or accessories may lead to serious injury or death to the user or others.

Protective equipment

General

Do not use the machine unless you are able to call for help in the event of an accident.

Personal protective equipment

You must use approved personal protective equipment whenever you use the machine. Personal protective equipment cannot eliminate the risk of injury but it will reduce the degree of injury if an accident does happen. Ask your dealer for help in choosing the right equipment.



WARNING! The use of products such as cutters, grinders, drills, that sand or form material can generate dust and vapours which may contain hazardous chemicals. Check the nature of the material you intend to process and use an appropriate breathing mask.



WARNING! Long-term exposure to noise can result in permanent hearing impairment. So always use approved hearing protection. Listen out for warning signals or shouts when you are wearing hearing protection. Always remove your hearing protection as soon as the engine stops.



WARNING! There is always a risk of crush injuries when working with products containing moving parts. Wear protective gloves to avoid body injuries.

Always wear:

- Protective helmet
- Hearing protection
- Protective goggles or a visor
- Breathing mask
- Heavy-duty, firm grip gloves.
- Tight-fitting, heavy-duty and comfortable clothing that permits full freedom of movement.
- Boots with steel toe-caps and non-slip sole.
- Always have a first aid kit nearby.

Be careful as clothing, long hair, and jewellery can get caught in moving parts.

OPERATING

General safety precautions



WARNING! Read all safety warnings and all instructions. Neglecting to follow the warnings and instructions can lead to serious injury or death for the operator or others.

Work area safety

- **Keep work area clean and well lit.** Cluttered or dark areas invite accidents.
- People and animals can distract you causing you to lose control of the machine. For this reason, always remain concentrated and focused on the task.
- Do not use the machine in bad weather, such as dense fog, heavy rain, strong wind, intense cold, etc. Working in bad weather is tiring and can lead to dangerous conditions, e.g. slippery surfaces.
- Never start to work with the machine before the working area is clear and you have a firm foothold. Look out for any obstacles with unexpected movement. Ensure that no material can become loose and fall, causing injury when operating the machine.
- Always check the rear side of the surface where the drill bit will emerge when drilling right through. Secure and cordon off the area and make sure that no one can be injured or material damaged.

Personal safety



WARNING! There is always a risk of crush injuries when working with products containing moving parts. Always wear protective gloves.

- Wear personal protective equipment. See instructions under the "Personal protective equipment" heading.
- Never use the machine if you are tired, if you have drunk alcohol, or if you are taking medication that could affect your vision, your judgement or your coordination.
- Never allow anyone else to use the machine without first ensuring that they have read and understood the contents of the operator's manual.
- Be careful as clothing, long hair, and jewellery can get caught in moving parts.
- Never work alone, always ensure there is another person close at hand. Apart from being able to receive help to assemble the machine, you can also get help if an accident should occur.

Use and care

- Never use a machine that is faulty. Carry out the safety checks, maintenance and service instructions described in this manual. Some maintenance and service measures must be carried out by trained and qualified specialists. See instructions under the Maintenance heading.
- Never use a machine that has been modified in any way from its original specification.
- Keep all parts in good working order and ensure that all fixtures are properly tightened.

Transport and storage

- Store the equipment in a lockable area so that it is out of reach of children and unauthorized persons.
- Store the drilling machine and stand in dry and frost free conditions.

General working stand safety warnings



WARNING! Read all safety warnings and all instructions. Failure to follow the warnings and instructions may result in electric shock, fire and/or serious injury.

NOTICE! Save all warnings and instructions for future reference.

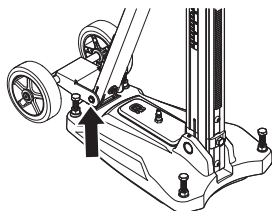
- **Disconnect the plug from the power source and/or the battery pack from the power tool before making any adjustments, changing accessories** Accidental starting of the power tool is a cause of some accidents..
- **Properly assemble the working stand before mounting the tool.** Proper assembly is important to prevent risk of collapse.
- **Securely fasten the power tool to the working stand before use.** Power tool shifting on the working stand can cause loss of control.
- **Place the working stand on a solid, flat and level surface.** When the working stand can shift or rock, the power tool or workpiece cannot be steadily and safely controlled.
- **Do not overload the working stand or use as ladder scaffolding.** Overloading or standing on the working stand causes the stand to be "top-heavy" and likely to tip over.

This stand is for Husqvarna DM machines. Only use power tools designed for this stand.

ASSEMBLY

Fit the wheel kit

- Fit the wheel set to the carriage column.
- Fit the wheel set to the bracket on the rear of the baseplate and tighten the screws.



Secure the stand

There are three methods for fixing the stand.

- Securing with vacuum plate
- Fixing with expander or anchor
- Fixing with threaded rod, washer and lock nut

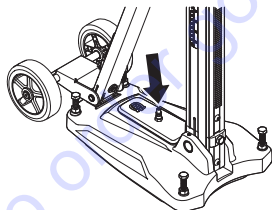
Securing with vacuum plate



WARNING! The vacuum plate must never be used for ceiling or wall drilling. Careless or incorrect use can result in serious, even fatal injury.

If the vacuum plate is used, make sure the support surface is not porous and can loosen. Make sure that the vacuum pump has sufficient power to secure the vacuum plate.

- Fit the vacuum gasket to the baseplate.
- Connect the vacuum pump to the quick coupling for vacuum pressure on the baseplate.



- Place the bottom plate in the desired position.
- Switch on the vacuum pump. A minimum pressure of 635 mm Hg (25 inch Hg) must be reached for the baseplate to seal tightly against a surface.

Fixing with expander or anchor

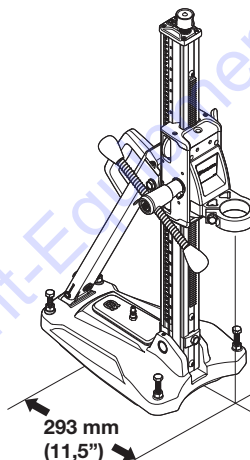


IMPORTANT! When drilling ceilings, only expander or anchor suitable for surfaces exposed to tensile forces should be used.

Use only expander or anchor which is approved for current application.

DS150

- Drill a hole for the expander/anchor at a distance of 293 mm (11.5") from the center of the hole.

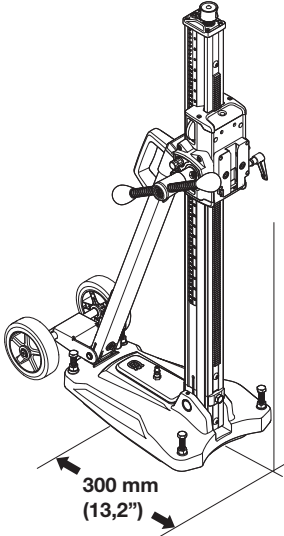


- Screw the baseplate tight. Check carefully that the expander is secured correctly.
- The bottom plate can be adjusted to the surface by using the leveling adjustment screws. Use the feed handle.

ASSEMBLY

DS250, DS250 Single speed, DS250 Single speed short

- Drill a hole for the expander/anchor at a distance of 300 mm (11.8") from the centre of the hole. The distance of 300 mm (11.8") applies to the quick mounting bracket with quick coupling for a DM220. With a collar fitted, the distance is 320 mm (12.6").



- Screw the baseplate tight. Check carefully that the expander is secured correctly.
- The bottom plate can be adjusted to the surface by using the leveling adjustment screws. Use the feed handle.

Fixing with threaded rod, washer and lock nut

If the mounting surface is inadequate for drilling in ceilings or walls, the baseplate can be fixed using a threaded rod, which is mounted on the back end with a washer and locking nut.

Assembly of drill motor



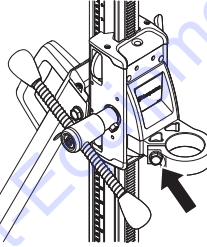
IMPORTANT! Always pull out the plug from the outlet socket before cleaning, maintenance or assembly.

- Always remove the drill bit before the motor is mounted or dismounted.
- Lock the feed housing lock.

Collar assembly

DS150

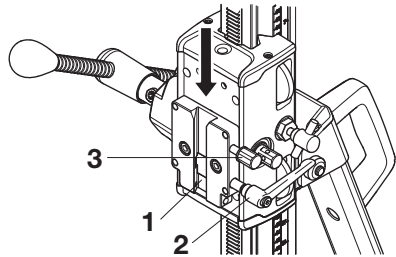
- Fasten the drill spindle to the collar. Use the feed handle.



Quick mounting bracket assembly

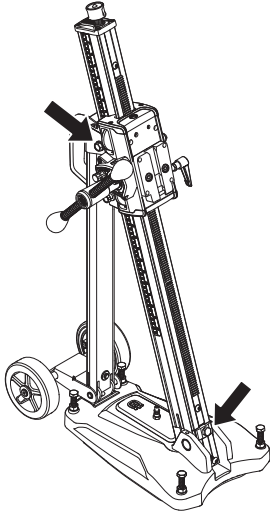
DS250, DS250 Single speed, DS250 Single speed short

- Fit the quick mounting for the drill motor in the track on the locking clamp. Make sure that the quick-mount is pushed all the way to the bottom (1) of the rail on the locking clip.
- Secure with the locking handle (2).



Use top positioned locking screw (3) only together with DMS 240.

Adjust the column tilt



Loosen the locking screws for column tilt and set the desired drill angle. Tighten the locking screws. Use the feed handle. The column can be tilted 0-60°.

The angle indicator can be used for approximate adjustment. If higher precision is required, alternative measuring methods should be used.

Drilling in the ceiling



WARNING! Use a water collector to avoid water penetrating into the machine. The machine must be covered with plastic or the like in order to prevent water penetrating into the machine, but do not cover the air intakes and air outlets.

MAINTENANCE

Stand maintenance



WARNING! Inspection and/or maintenance should be carried out with the motor switched off and the plug disconnected.

The lifetime of your machine can be extended considerably if it is used, cared for and maintained in the proper manner.

Cleaning and lubrication



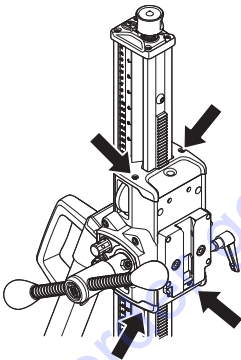
IMPORTANT! Remove the drill motor.

- It is important that the drill stand is kept clean for functionality to be maintained.
- Clean the stand using a high pressure washer and then wipe dry.
- Lubricate the moving parts on the stand. Apply grease to counteract corrosion on the contact surfaces.

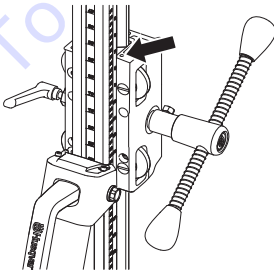
Adjusting the feed housing

If there is play between the column and the feed housing, the play must be adjusted.

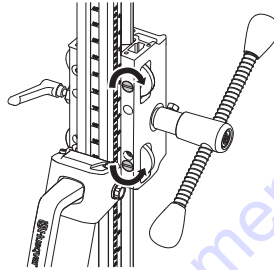
- Remove top and bottom plastic carriage covers.



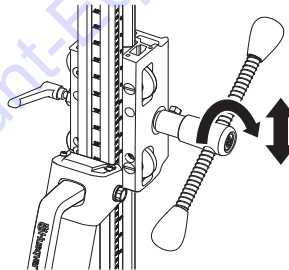
- Loosen set screws holding guide roller shafts.



- Start with the top guide roller. Use a flat screwdriver and turn clockwise to guide the roller closer to the column.
- Tighten set screw to lock the guide roller shaft.
- Adjust the lower roller by screwing anti-clockwise to guide the roller nearer to the column.



- Tighten set screw to lock the guide roller shaft.
- Use the feed handle to see if the feed housing moves smoothly on the column. If not, adjust the rollers again.



- Fit the top and bottom plastic carriage covers.

Repairs



IMPORTANT! All types of repairs may only be carried out by authorised repairmen. This is so that the operators are not exposed to great risks.

Daily maintenance

- 1 Check that nuts and screws are tight.
- 2 Clean the outside of the machine.
- 3 Check that the feed crank can be moved without resistance.
- 4 Check that the gearing moves easily and does not cause any noise.
- 5 Check for any wear or damage on the column.
- 6 Check that the feed housing can be moved easily and does not backlash against the stand column.

TECHNICAL DATA

Dimensions	DS150	DS250	DS250 Single speed	DS250 Single speed short
Height, mm/inches	862/33,9	1052/41,4	1052/41,4	862/33,9
Width, mm/inches	266/10,5	266/10,5	266/10,5	266/10,5
Depth, mm/inches	522/20,6	545/21,5	545/21,5	545/21,5
Weight, kg/lb	14/30,9	17/37,5	16/35,3	15/38
Travel length, mm/inch	495/19,5	686/27	686/27	495/19,5
Max. drill diameter, mm/inches	150/6	250/10	150/6 (collar) 250/10 (quick mounting)	250/10
The column's angling	0-60°	0-60°	0-60°	0-60°
Maximum load, kg/lb	50/110	50/110	50/110	50/110

To order go to Discount-Equipment.com

SYMBOLERKLÄRUNG

Symbole am Gerät

WARNUNG! Das Gerät kann falsch oder nachlässig angewendet gefährlich sein und zu schweren oder gar lebensgefährlichen Verletzungen des Benutzers oder anderer Personen führen.



Lesen Sie die Bedienungsanleitung sorgfältig durch und machen Sie sich mit dem Inhalt vertraut, bevor Sie das Gerät benutzen.



Sonstige Symbole/Aufkleber am Gerät beziehen sich auf spezielle Zertifizierungsanforderungen, die in bestimmten Ländern gelten.

Erläuterung der Warnstufen

Es bestehen drei unterschiedliche Warnstufen.

WARNUNG!



WARNUNG! Nichtbeachtung der Anweisungen in diesem Handbuch kann zu Verletzungen bzw. zum Tod des Bedieners oder zu Beschädigungen in der Umgebung führen.

ACHTUNG!



ACHTUNG! Nichtbeachtung der Anweisungen in diesem Handbuch kann zur Verletzung des Bedieners bzw. zu Beschädigungen in der Umgebung führen.

HINWEIS!

HINWEIS! Nichtbeachtung der Anweisungen in diesem Handbuch kann zu Beschädigungen der Umgebung bzw. der Maschine führen.

INHALT

Inhalt

SYMBOLERKLÄRUNG

Symbole am Gerät	16
Erläuterung der Warnstufen	16

INHALT

Inhalt	17
--------------	----

VORSTELLUNG

Sehr geehrter Kunde!	18
Konstruktion und Funktionen	18
Bohrständer	19

WAS IST WAS?

Bestandteile des Ständers	21
---------------------------------	----

SICHERHEITSAUSRÜSTUNG DES GERÄTES

Allgemeines	22
Schlittensperre	22

BETRIEB

Maßnahmen vor der Verwendung eines neuen Ständers	23
Schutzausrüstung	23
Allgemeine Sicherheitsvorschriften	24
Allgemeine Sicherheitshinweise für Arbeitsgestelle	24

MONTAGE

Einpassen des Rad-Kits	25
Sichern Sie den Ständer.	25
Montage des Bohrmotors	26
Passen Sie die Säulenneigung an.	27
Bohren in der Decke	27

WARTUNG

Ständerwartung	28
----------------------	----

TECHNISCHE DATEN

EG-Konformitätserklärung	29
--------------------------------	----

Sehr geehrter Kunde!

Vielen Dank, dass Sie sich für ein Produkt von Husqvarna entschieden haben.

Wir hoffen, dass Sie mit Ihrer Maschine über lange Jahre zufrieden sein werden. Mit dem Erwerb unserer Produkte erhalten Sie professionelle Hilfe bei Reparaturen und Service. Haben Sie das Gerät nicht bei einem unserer Vertragshändler gekauft, fragen Sie dort nach der nächsten Servicewerkstatt.

Diese Bedienungsanweisung ist ein wertvolles Dokument. Halten Sie die Bedienungsanweisung stets griffbereit. Die genaue Befolgung ihres Inhalts (Verwendung, Service, Wartung usw.) verlängert die Lebensdauer der Maschine erheblich und erhöht zudem ihren Wiederverkaufswert. Sollten Sie Ihre Maschine verkaufen, händigen Sie dem neuen Besitzer bitte auch die Bedienungsanleitung aus.

Über 300 Jahre Innovationsgeschichte

Husqvarna ist ein schwedisches Unternehmen, dessen Geschichte bis ins Jahr 1689 zurückreicht, als König Karl XI eine Fabrik errichten ließ, in der Musketen gefertigt werden sollten. Damit wurden die Grundlagen einer erfolgreichen Firmengeschichte gelegt, in deren Verlauf bahnbrechende technische Neuerungen in Bereichen wie Waffensysteme, Fahr- und Motorräder, Haushaltsgeräte, Nähmaschinen und Gartenprodukte auf den Markt gebracht werden konnten.

Husqvarna gilt als führender Anbieter von Geräten zur Garten- und Waldpflege sowie von Schneidausrüstungen und Diamantwerkzeugen für die Bau- und Steinindustrie.

Pflichten des Betreibers

Der Betreiber ist verpflichtet, nur entsprechend ausgebildete Personen mit der Bedienung der Maschine zu betrauen. Aufsichtspersonen und Bediener haben sämtliche Anweisungen in diesem Handbuch zur Kenntnis zu nehmen. Insbesondere ist auf Folgendes zu achten:

- Sicherheitshinweise
- Vorgesehene Anwendungsbereiche
- Nutzungs- und Wartungshinweise

Die Benutzung dieser Maschine könnte durch ein nationales Gesetz geregelt sein. Finden Sie heraus, welche Gesetze Anwendung finden, bevor Sie mit der Benutzung der Maschine beginnen.

Vorbehaltsbestimmungen des Herstellers

Es ist möglich, dass Husqvarna nach der Veröffentlichung dieses Handbuchs weitere Informationen zum sicheren Betrieb dieses Produkts herausgibt. Der Betreiber ist verpflichtet, stets über die sichersten Betriebsverfahren informiert zu sein.

Die Husqvarna AB arbeitet ständig an der Weiterentwicklung ihrer Produkte und behält sich daher das Recht auf Änderungen ohne vorherige Ankündigung, z. B. von Form und Aussehen, vor.

Konstruktion und Funktionen

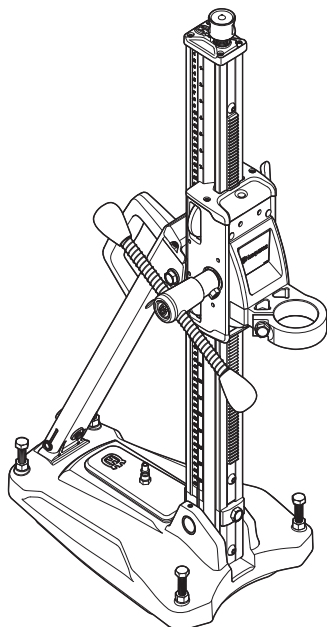
Die Entwicklung von zuverlässigen und innovativen Hochleistungstechnologien und eine umweltfreundliche Produktfertigung sind die erklärten Ziele von Husqvarna. Ein sicherer Betrieb dieses Produkts setzt voraus, dass der Betreiber dieses Handbuch aufmerksam durchliest. Weitere Informationen erhalten Sie von Ihrem Händler oder Husqvarna.

Hier werden einige der Funktionen aufgeführt, die unseren Produkten das entscheidende Plus an Qualität verleihen.

VORSTELLUNG

Bohrständer

DS150

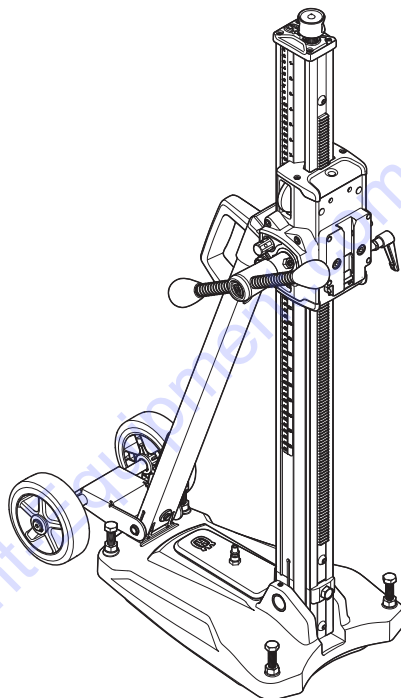


- Dieser Ständer eignet sich für das Bohren in Decken, Wänden und Böden.
- Der Bohrständerfuß besteht aus Aluminium. Dadurch ist er sehr leicht. Er verfügt über eine eingebaute Vakuumplatte.
- Die Säule kann um 0-60 Grad geneigt werden.
- Der Ständer verfügt über einen Befestigungssattel.
- Die Vorschubkurbel kann dazu verwendet werden, den Befestigungssattel anzuziehen oder zu lösen, die Stellschrauben im Bohrständerfuß einzustellen und den Winkel der Säule einzustellen.

Zusätzen

- Getriebe
- Radsatz
- Vakuumpumpe V 200

DS250



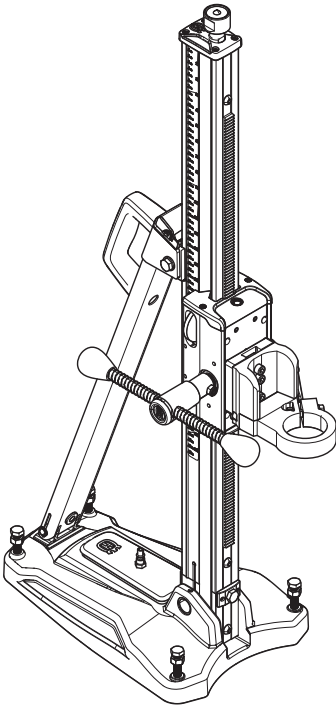
- Dieser Ständer eignet sich für das Bohren in Decken, Wänden und Böden.
- Der Bohrständerfuß besteht aus Aluminium. Dadurch ist er sehr leicht. Er verfügt über eine eingebaute Vakuumplatte.
- Die Säule kann um 0-60 Grad geneigt werden.
- Der Bohrerständer verfügt über eine Schnellkupplung für den Bohreromotor.
- Das Rad-Kit ist ausbaubar.
- Das Übersetzungsverhältnis des Schlitens ist einstellbar. Die hohe Übersetzung beträgt 2,25:1, die niedrige 1:1.
- Der Zuführungshebel kann zur Justierung der Nivellierschrauben der Basisplatte und zur Anpassung der Säulenneigung verwendet werden.

Zusätzen

- Der Befestigungssattel kann an die Schnellbefestigung montiert werden.
- Vakuumpumpe V 200

VORSTELLUNG

DS250 Single speed

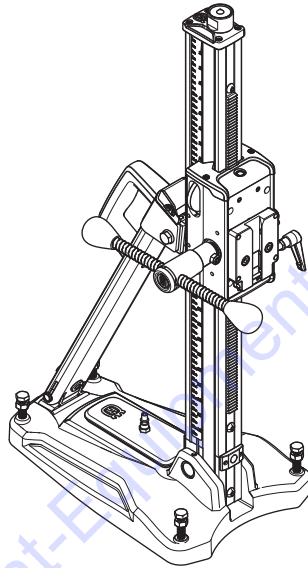


- Dieser Ständer eignet sich für das Bohren in Decken, Wänden und Böden.
- Der Bohrständerfuß besteht aus Aluminium. Dadurch ist er sehr leicht. Er verfügt über eine eingebaute Vakuumpatte.
- Die Säule kann um 0-60 Grad geneigt werden.
- Der Bohrständer verfügt über eine Schnellbefestigung und einen Befestigungssattel.
- Der Zuführungshebel kann zur Justierung der Nivellierschrauben der Basisplatte und zur Anpassung der Säulenneigung verwendet werden.

Zusätzen

- Radsatz
- Vakuumpumpe V 200

DS250 Single speed short

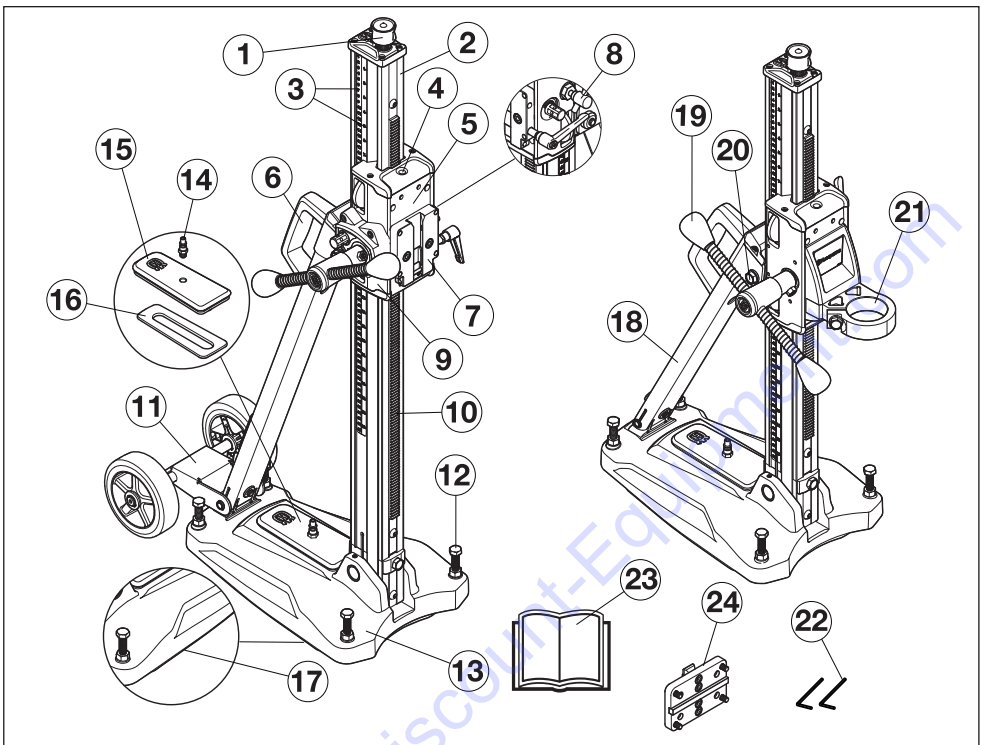


- Dieser Ständer eignet sich für das Bohren in Decken, Wänden und Böden.
- Der Bohrständerfuß besteht aus Aluminium. Dadurch ist er sehr leicht. Er verfügt über eine eingebaute Vakuumpatte.
- Die Säule kann um 0-60 Grad geneigt werden.
- Der Bohrständer verfügt über eine Schnellbefestigung.
- Der Zuführungshebel kann zur Justierung der Nivellierschrauben der Basisplatte und zur Anpassung der Säulenneigung verwendet werden.

Zusätzen

- Radsatz
- Vakuumpumpe V 200

WAS IST WAS?



Bestandteile des Ständers

- | | | | |
|----|---|----|---|
| 1 | Sicherungsschraube | 13 | Bohrständerfuß mit integrierter Vakuumfunktion |
| 2 | Bohrsäule | 14 | Schnellkupplung für Vakuum |
| 3 | Tiefen- und Neigungsskala | 15 | Vakuumbdeckung |
| 4 | Vertikale und horizontale Ebenenanzeige | 16 | Dichtung, Vakuumbdeckung |
| 5 | Schlitten | 17 | Dichtung, Vakuumansaugung |
| 6 | Tragegriff | 18 | Winkelklammer |
| 7 | Verschlussklammer (Schnellverschluss) | 19 | Vorschubkurbel |
| 8 | Schlittensperre | 20 | Befestigungsschraube, Abwinkelung der Bohrsäule |
| 9 | Getriebe | 21 | Befestigungssattel |
| 10 | Rack | 22 | Inbusschlüssel (3 mm, 4 mm) |
| 11 | Radsatz (ausbaubar) | 23 | Bedienungsanweisung |
| 12 | Stellschrauben | 24 | Trägerplatte |

SICHERHEITSAUSRÜSTUNG DES GERÄTES

Allgemeines



WARNUNG! Benutzen Sie nie ein Gerät mit defekter Sicherheitsausrüstung. Die Sicherheitsausrüstung des Gerätes muss so kontrolliert und gewartet werden, wie dies in diesem Abschnitt beschrieben wird. Wenn Ihr Gerät den Kontrollanforderungen nicht entspricht, muss eine Servicewerkstatt aufgesucht werden.

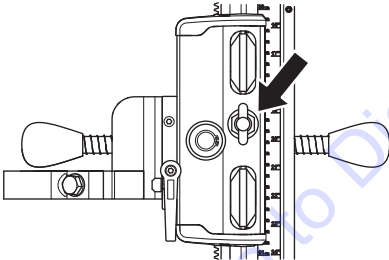
In diesem Abschnitt werden einzelnen Teile der Sicherheitsausrüstung des Gerätes beschrieben, welche Funktion sie haben und wie ihre Kontrolle und Wartung ausgeführt werden sollen, um sicherzustellen, dass sie funktionsfähig sind.

Schlittensperre

Die Schlittenverriegelung wird benutzt, wenn das Bohrbit gewechselt und der Bohrmotor montiert wird. Die Verriegelung besteht aus einem Drehknopf, mit dem der Schlitten an den Bohrständler geschlossen wird.

Kontrolle der Schlittenverriegelung

- Den Drehknopf zum Verriegeln drehen.



- Manuell sicherstellen, dass der Schlitten an den Bohrständler geschlossen ist.

Maßnahmen vor der Verwendung eines neuen Ständers

- Lesen Sie die Bedienungsanweisung sorgfältig durch und machen Sie sich mit dem Inhalt vertraut, bevor Sie das Gerät benutzen.
- Dieses Gerät ist für das Bohren in Beton, Backstein und diversen Steinmaterialien konstruiert und vorgesehen. Jegliche andere Nutzung ist unzulässig.
- Das Gerät ist für industrielle Anwendungen und die Benutzung durch erfahrene Bediener ausgelegt.
- Am Arbeitsplatz Ordnung halten. Unordnung bringt Unfallgefahren mit sich.
- Lesen Sie auch die Bedienungsanleitung des Bohrmotors und stellen Sie sicher, dass dessen technischen Daten mit dem Ständer vereinbar sind.

Stets mit gesundem Menschenverstand arbeiten!

Es ist unmöglich, alle denkbaren Situationen abzudecken, die beim Gebrauch des Geräts auftreten könnten. Gehen Sie stets mit Vorsicht und Vernunft vor. Vermeiden Sie Situationen, für die Sie sich nicht ausreichend qualifiziert fühlen. Falls Sie sich auch nach dem Lesen dieser Anweisungen nicht über die richtige Vorgehensweise im Klaren sind, sollten Sie einen Fachmann zu Rate ziehen, bevor Sie fortfahren.

Sie können sich jederzeit an Ihren Händler wenden, wenn Sie Fragen zur Verwendung der Maschine haben. Wir beraten Sie gerne dabei, wie Sie Ihre Maschine besser und sicherer einsetzen können.

Lassen Sie die Maschine regelmäßig von Ihrem Husqvarna-Händler überprüfen und notwendige Einstellungen und Reparaturen vornehmen.

Alle Informationen und Daten dieser Bedienungsanleitung galten zum Zeitpunkt der Drucklegung.



WARNUNG! Ohne Genehmigung des Herstellers dürfen an der Maschine unter keinen Umständen Konstruktionsänderungen vorgenommen werden. Stets Originalzubehör verwenden. Unzulässige Änderungen und/oder Zubehörteile können zu schweren Verletzungen oder tödlichen Unfällen von Anwendern oder anderen Personen führen.

Schutzausrüstung

Allgemeines

Das Gerät niemals benutzen, wenn nicht die Möglichkeit besteht, im Falle eines Unfalls Hilfe herbeizurufen.

Persönliche Schutzausrüstung

Bei der Benutzung des Gerätes muss die vorgeschriebene persönliche Schutzausrüstung angewendet werden. Die persönliche Schutzausrüstung beseitigt nicht die Unfallgefahr, begrenzt aber den Umfang der Verletzungen und Schäden. Bei der Wahl der Schutzausrüstung einen Fachhändler um Rat fragen.



WARNUNG! Bei der Nutzung von Produkten, die schneiden, schleifen, bohren, feine Schleifvorgänge ausführen oder Material formen kann es zu einer Bildung vom Staub und Dämpfen kommen, die schädliche chemische Substanzen enthalten. Informieren Sie sich über die Beschaffenheit des Materials, mit dem Sie arbeiten und tragen Sie einen geeigneten Atemschutz.



WARNUNG! Eine längerfristige Beschallung mit Lärm kann zu bleibenden Gehörschäden führen. Daher stets einen zugelassenen Gehörschutz tragen. Bei Benutzung von Gehörschützern immer auf Warnsignale oder Zurufe achten. Den Gehörschutz immer abnehmen, sobald der Motor abgestellt ist.



WARNUNG! Bei Arbeiten an Produkten mit beweglichen Teilen herrscht stets Klemmgefahr. Schutzhandschuhe tragen, um Verletzungen zu vermeiden.

Benutzen Sie immer:

- Schutzhelm
 - Gehörschutz
 - Schutzbrille oder Visier
 - Atemschutzmaske
 - Feste, griffsichere Handschuhe.
 - Eng anliegende, kräftige und bequeme Kleidung tragen, die volle Bewegungsfreiheit gewährt.
 - Stiefel mit Stahlkappe und rutschfester Sohle.
 - Ein Erste-Hilfe-Set soll immer griffbereit sein.
- Bedenken, dass Kleidung, langes Haar und Schmuck in beweglichen Teilen hängen bleiben können.

Allgemeine Sicherheitsvorschriften



WARNUNG! Lesen Sie sämtliche Sicherheitshinweise und Anweisungen durch. Die Nichtbeachtung der Warnhinweise oder anderer Anweisungen kann zu Verletzungen bzw. zum Tod des Bedieners oder anderer Personen führen.

Sicherheit im Arbeitsbereich

- **Sorgen Sie für einen sauberen und gut ausgeleuchteten Arbeitsbereich.** Durch zugestellte oder dunkle Arbeitsbereiche steigt die Unfallgefahr stark an.
- Menschen und Tiere können zu einer Ablenkung und damit zum Verlust der Kontrolle über das Gerät führen. Konzentration und Fokussierung auf die Aufgabe sind daher stets erforderlich.
- Vermeiden Sie es, das Gerät bei schlechtem Wetter zu benutzen. Z.B. bei dichtem Nebel, starkem Regen oder Wind, großer Kälte usw. Das Arbeiten bei schlechtem Wetter ist sehr ermüdend und kann gefährliche Umstände herbeiführen, z. B. Rutschgefahr.
- Beginnen Sie niemals mit der Arbeit, bevor der Arbeitsbereich frei ist und Sie einen sicheren Stand haben. Achten Sie auf eventuelle Hindernisse, die im Wege sein können, wenn Sie sich plötzlich bewegen müssen. Stellen Sie sicher, daß kein Material herunterfallen und Schäden verursachen kann.
- Stets die Rückseite der Fläche prüfen, die von der Bohrkronen durchbohrt wird. Arbeitsbereich sichern sowie absperren und sicherstellen, dass weder Menschen noch Material zu Schaden kommen.

Persönliche Sicherheit



WARNUNG! Bei Arbeiten an Produkten mit beweglichen Teilen herrscht stets Klemmgefahr. Stets Schutzhandschuhe tragen.

- Tragen Sie persönliche Schutzausrüstung. Siehe die Anweisungen unter der Überschrift "Persönliche Schutzausrüstung".
- Arbeiten Sie niemals mit dem Gerät, wenn Sie müde sind, Alkohol getrunken oder Medikamente eingenommen haben, da hierdurch Sehkraft, Urteilsvermögen oder Körperkontrolle beeinträchtigt werden können.
- Lassen Sie niemals jemand anderen das Gerät benutzen, ohne sich zu vergewissern, dass die Person den Inhalt der Bedienungsanweisung verstanden hat.
- Bedenken, dass Kleidung, langes Haar und Schmuck in beweglichen Teilen hängen bleiben können.
- Niemals allein arbeiten. Es muss sich stets eine weitere Person in der Nähe befinden. Diese kann Ihnen bei der Gerätemontage sowie bei etwaigen Unfällen helfen.

Verwendung und Pflege

- Niemals mit einem defekten Gerät arbeiten. Die Kontroll-, Wartungs- und Serviceanweisungen in dieser Bedienungsanweisung sind genau zu befolgen. Gewisse Wartungs- und Servicemaßnahmen sind von geschulten, qualifizierten Fachleuten auszuführen. Siehe Anweisungen unter dem Titel Wartung.
- Niemals mit einem Gerät arbeiten, das ohne Zustimmung des Herstellers modifiziert wurde und nicht länger mit der Originalausführung übereinstimmt.
- Alle Teile in funktionstauglichem Zustand halten und dafür sorgen, dass alle Befestigungsteile sorgfältig festgezogen sind.

Transport und Aufbewahrung

- Bewahren Sie das Gerät für Kinder und Unbefugte unzugänglich in einem abschließbaren Raum auf.
- Bohrmaschine und Ständer trocken und frostfrei aufbewahren.

Allgemeine Sicherheitshinweise für Arbeitsgestelle



WARNUNG! Lesen Sie sämtliche Sicherheitshinweise und Anweisungen durch. Die Nichtbeachtung der Warnhinweise und Anweisungen kann Stromschlag, Brand und/oder schwere Verletzungen zur Folge haben.

HINWEIS! Bewahren Sie alle Warnhinweise und Anweisungen für spätere Referenzzwecke auf.

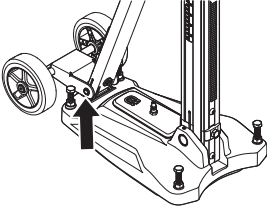
- **Trennen Sie das Elektrowerkzeug von der Stromversorgung bzw. vom Akku, bevor Sie Einstellarbeiten vornehmen oder Zubehörteile austauschen.** Durch unbeabsichtigten Start des Elektrowerkzeugs kann es zu Unfällen kommen.
- **Montieren Sie das Arbeitsgestell vor der Montage des Werkzeugs korrekt.** Die korrekte Montage ist wichtig, damit das Gestell nicht zusammenfällt.
- **Befestigen Sie das Elektrowerkzeug vor dem Gebrauch sicher am Arbeitsgestell.** Eine Verschiebung des Elektrowerkzeugs auf dem Arbeitsgestell kann zu einem Kontrollverlust führen.
- **Stellen Sie das Arbeitsgestell auf einer festen, glatten und ebenen Fläche ab.** Wenn sich das Arbeitsgestell verschieben oder wackeln kann, kann das Elektrowerkzeug nicht stabil und sicher kontrolliert werden.
- **Das Arbeitsgestell darf nicht überladen oder als Leitergerüst verwendet werden.** Es wird durch Überlastung oder darauf stehende Personen kopflastig und kann umkippen.

Dieses Gestell ist für Husqvarna-DM-Maschinen geeignet. Verwenden Sie nur für dieses Gestell geeignete Elektrowerkzeuge.

MONTAGE

Einpassen des Rad-Kits

- Bringen Sie den Radsatz am Schlitten der Säule an.
- Bringen Sie den Radsatz an der Halterung an der Rückseite des Bohrständersfußes an und ziehen Sie die Schrauben fest.



Sichern Sie den Ständer.

Der Ständer kann auf drei Arten befestigt werden.

- Sichern mit einer Vakuumplatte
- Befestigen mit Expander oder Anker
- Befestigen mit Gewindestange, Unterlegscheibe und Mutter

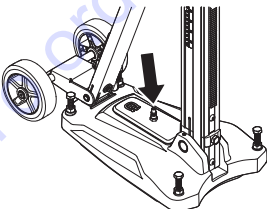
Sichern mit einer Vakuumplatte



WARNUNG! Die Vakuumplatte darf nie zum Bohren von Decken oder Wänden verwendet werden. Die nachlässige oder unsachgemäße Anwendung kann zu schweren und sogar lebensgefährlichen Verletzungen führen.

Stellen Sie bei der Verwendung der Vakuumbefestigung sicher, dass die tragende Oberfläche nicht brüchig ist und sich löst. Sicherstellen, dass die Vakuumpumpe das Ansaugen der Vakuumplatte bewältigt.

- Bringen Sie die Vakuumdichtung am Bohrständersfuß an.
- Verbinden Sie die Vakuumpumpe mit der Vakuum-Schnellkupplung am Bohrständersfuß.



- Platzieren Sie die Grundplatte in der gewünschten Position.
- Schalten Sie die Vakuumpumpe ein. Es muss ein Mindestdruck von 635 mm Hg (25 Zoll Hg) erreicht werden, sodass der Bohrständersfuß eng an der Oberfläche anliegt.

Befestigen mit Expander oder Anker

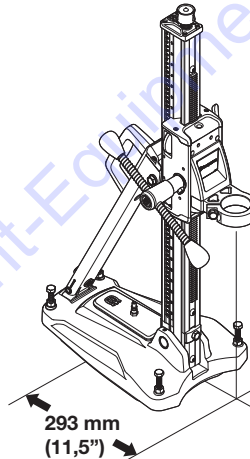


WICHTIG! Beim Bohren in Decken dürfen nur Expander und Anker verwendet werden, die für Oberflächen unter Zugbelastung geeignet sind.

Verwenden Sie nur Expander/Anker, die für die jeweilige Anwendung freigegeben wurden.

DS150

- Bohren Sie für den Expander/Anker ein Loch in einem Abstand von 293 mm (11,5") vom Mittelpunkt der Öffnung.

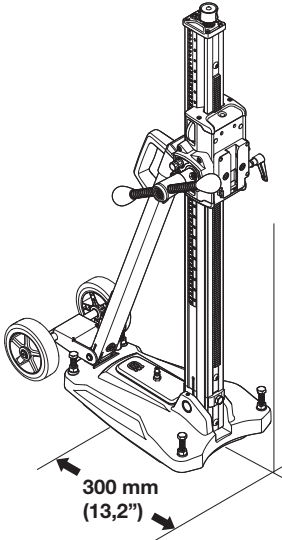


- Ziehen Sie den Bohrständersfuß fest an. Genau kontrollieren, ob der Expander richtig fest sitzt.
- Die Grundplatte kann mithilfe der Einstellschrauben an die Oberfläche angepasst werden. Verwenden Sie den Vorschubgriff.

MONTAGE

DS250, DS250 Single speed, DS250 Single speed short

- Bohren Sie für den Expander/Anker im Abstand von 300 mm (11,8") vom Mittelpunkt der Öffnung ein Loch. Der Abstand von 300 mm gilt für die Schnellbefestigung mit Schnellkupplung für ein DM220. Bei installiertem Befestigungssattel beträgt der Abstand 320 mm.



- Ziehen Sie den Bohrständerfuß fest an. Genau kontrollieren, ob der Expander richtig fest sitzt.
- Die Grundplatte kann mithilfe der Einstellschrauben an die Oberfläche angepasst werden. Verwenden Sie den Vorschubgriff.

Befestigen mit Gewindestange, Unterlegscheibe und Mutter

Eignet sich die Montagefläche nicht für das Bohren in Decken oder Wänden, kann der Bohrständerfuß mit einer Gewindestange befestigt werden, die auf der Rückseite mit einer Unterlegscheibe und einer Gegenmutter montiert ist.

Montage des Bohrmotors



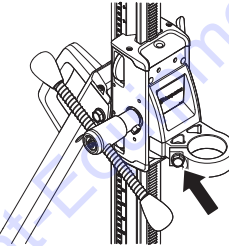
WICHTIG! Vor Reinigung, Wartung oder Montage immer den Stecker aus der Steckdose ziehen.

- Beim Ein- und Ausbau des Motors stets die Bohrkronen abnehmen.
- Verriegeln Sie das Zuführungsgehäuse.

Montage des Befestigungssattels

DS150

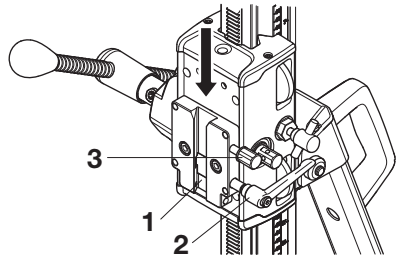
- Befestigen Sie die Bohrspindel am Befestigungssattel. Verwenden Sie den Vorschubgriff.



Montage der Schnellbefestigung

DS250, DS250 Single speed, DS250 Single speed short

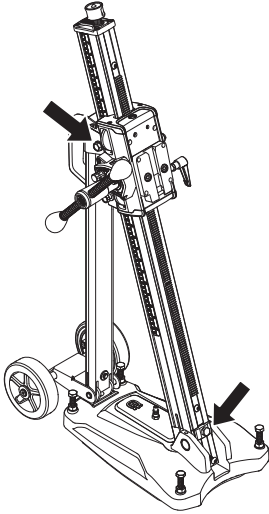
- Bringen Sie die Schnellbefestigung für den Bohrmotor in der Führung auf der Verschlussklammer an. Stellen Sie sicher, dass die Schnellkupplung auf der Schiene der Verriegelung ganz nach unten gedrückt wird (1).
- Verwenden Sie zum Sichern dem Sperrgriff (2).



Verwenden Sie die obere Sicherungsschraube (3) nur zusammen mit DMS 240.

MONTAGE

Passen Sie die Säulenneigung an.



Lösen Sie die Sicherungsschrauben zur Anpassung der Säulenneigung und stellen Sie den gewünschten Bohrwinkel ein. Ziehen Sie die Sicherungsschrauben an. Verwenden Sie den Vorschubgriff. Die Säule kann um 0-60 Grad geneigt werden.

Verwenden Sie den Winkelmesser für die Grobeinstellung. Ist höhere Präzision erforderlich, verwenden Sie alternative Messmethoden.

Bohren in der Decke



WARNUNG! Wasser in einem Gefäß auffangen, um ein Eindringen in das Gerät zu verhindern. Das Gerät mit Folie o.s.ä. abdecken, damit kein Wasser eindringen kann. Dabei keine Lufteinlässe und Luftauslässe blockieren.

WARTUNG

Ständerwartung



WARNUNG! Kontrollen und/oder Wartungsarbeiten sind bei abgeschaltetem Motor und abgezogenem Stecker durchzuführen.

Die Lebensdauer Ihres Geräts lässt sich erheblich verlängern, wenn es korrekt benutzt, gepflegt und gewartet wird.

Reinigung und Schmierung



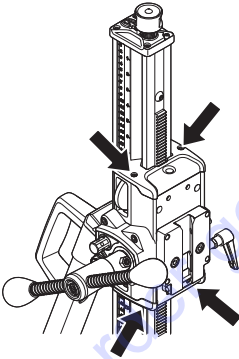
WICHTIG! Bohrmotor ausbauen.

- Der Bohrständer muss saubergehalten werden, damit es einwandfrei funktionieren kann.
- Der Ständer wird einer Hochdruckwäsche unterzogen und danach abgetrocknet.
- Alle beweglichen Ständerteile schmieren. Fett benutzen, um Korrosion an Anliegeflächen zu verhindern.

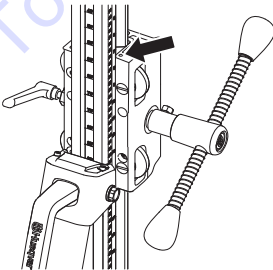
Anpassen des Zuführungsgehäuses

Passen Sie das Spiel zwischen der Säule und dem Zuführungsgehäuse (sofern vorhanden) an.

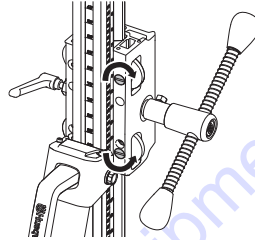
- Entfernen Sie die obere und untere Kunststoffabdeckung.



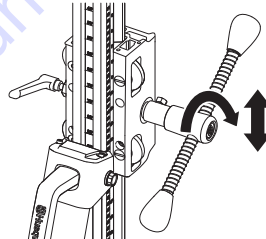
- Lösen Sie die Schrauben, die zur Befestigung der Führungsrollenwellen dienen.



- Beginnen Sie mit der oberen Führungsrolle. Verwenden Sie einen flachen Schraubendreher, und drehen Sie diesen im Uhrzeigersinn, um die Rolle näher an die Säule zu bewegen.
- Ziehen Sie die Schrauben an, um die Führungsrolle zu fixieren.
- Passen Sie die untere Rolle an, indem Sie den Schraubendreher gegen den Uhrzeigersinn drehen, um die Rolle näher an die Säule heranzubringen.



- Ziehen Sie die Schrauben an, um die Führungsrolle zu fixieren.
- Prüfen Sie mithilfe des Zuführungshebels, ob sich das Zuführungsgehäuse reibungslos auf der Säule bewegt. Ist dies nicht der Fall, passen Sie die Rollen erneut an.



- Bringen Sie die obere und untere Kunststoffabdeckung an.

Reparaturen



WICHTIG! Sämtliche Reparaturen dürfen nur von autorisiertem Reparaturpersonal ausgeführt werden. Diese Vorschrift soll verhindern, dass der Bediener großen Gefahren ausgesetzt wird.

Tägliche Wartung

- 1 Schrauben und Muttern nachziehen.
- 2 Das Gerät äußerlich reinigen.
- 3 Prüfen Sie, ob die Zuführungskurbel ohne Widerstand bewegt werden kann.
- 4 Prüfen Sie, ob das Getriebe leicht und geräuschfrei bewegt werden kann.
- 5 Prüfen Sie die Säule auf Abnutzung und Beschädigung.
- 6 Stellen Sie sicher, dass das Zuführungsgehäuse leicht bewegt werden kann und dass dieses nicht gegen die Säule schlägt.

TECHNISCHE DATEN

Abmessungen	DS150	DS250	DS250 Single speed	DS250 Single speed short
Höhe, mm/Zoll	862/33,9	1052/41,4	1052/41,4	862/33,9
Breite, mm/Zoll	266/10,5	266/10,5	266/10,5	266/10,5
Tiefe mm/Zoll	522/20,6	545/21,5	545/21,5	545/21,5
Gewicht, kg/lb	14/30,9	17/37,5	16/35,3	15/38
Hublänge, mm/Zoll	495/19,5	686/27	686/27	495/19,5
Max. Bohrdurchmesser, mm/Zoll	150/6	250/10	150/6 (Befestigungssattel) 250/10 (Schnellverschluss)	250/10
Abwinklung der Bohrsäule	0-60°	0-60°	0-60°	0-60°
Höchstlast in kg/lb	50/110	50/110	50/110	50/110

EG-Konformitätserklärung

(nur für Europa)

Husqvarna AB, SE-561 82 Huskvarna, Sweden, Tel: +46-36-146500, versichert hiermit, dass die Ständer **Husqvarna DS150, DS250, DS250 Single speed und DS250 Single speed short** mit einer Seriennummer ab dem Baujahr 2014 (die Jahreszahl ist auf dem Typenschild angegeben, gefolgt von einer Seriennummer) den Vorschriften folgender RICHTLINIEN DES RATES entspricht:

- vom 17. Mai 2006 „Maschinen-Richtlinie **2006/42/EG**.

Folgende Normen wurden angewendet:

SS-EN12348+A1:2009

Göteborg, 13. Januar 2014

EXPLICATION DES SYMBOLES

Symboles sur la machine

AVERTISSEMENT! La machine utilisée de manière imprudente ou inadéquate peut devenir un outil dangereux, pouvant causer des blessures graves voire mortelles à l'utilisateur et aux autres personnes présentes.



Lire attentivement et bien assimiler le manuel d'utilisation avant d'utiliser la machine.



Les autres symboles/autocollants présents sur la machine concernent des exigences de certification spécifiques à certains marchés.

Explication des niveaux d'avertissement

Il existe trois niveaux d'avertissement.

AVERTISSEMENT!



AVERTISSEMENT! Symbole utilisé en cas de risque de blessures très graves ou de mort pour l'utilisateur ou de dommages pour les environs si les instructions du manuel ne sont pas suivies.

REMARQUE !



REMARQUE ! Symbole utilisé en cas de risque de blessures pour l'utilisateur ou de dommages pour les environs si les instructions du manuel ne sont pas suivies.

ATTENTION !

ATTENTION ! Symbole utilisé en cas de risque de dommages pour les matériaux ou la machine si les instructions du manuel ne sont pas suivies.

SOMMAIRE

Sommaire

EXPLICATION DES SYMBOLES

Symboles sur la machine	30
Explication des niveaux d'avertissement	30

SOMMAIRE

Sommaire	31
----------------	----

PRÉSENTATION

Cher client,	32
Conception et propriétés	32
Colonnes de carottage	33

QUELS SONT LES COMPOSANTS?

Quels sont les composants du support?	35
---	----

ÉQUIPEMENT DE SÉCURITÉ DE LA MACHINE

Généralités	36
Verrouillage carter d'alimentation	36

COMMANDE

Mesures avant utilisation d'un nouveau support ..	37
Équipement de protection	37
Instructions générales de sécurité	38
Consignes générales de sécurité relatives au support de travail	38

MONTAGE

Réglage du train de roues	39
Sécuriser le bâti	39
Montage du moteur de forage	40
Régler l'inclinaison de la colonne	41
Forage dans le plafond	41

ENTRETIEN

Entretien du support	42
----------------------------	----

CARACTÉRISTIQUES TECHNIQUES

Déclaration CE de conformité	43
------------------------------------	----

TO PURCHASE THIS PRODUCT PLEASE CONTACT US



**Equipment Financing and
Extended Warranties Available**



**Discount-Equipment.com is your online resource for
commercial and industrial quality parts and equipment sales.**

561-964-4949

visit us on line @ www.discount-equipment.com

Select an option below to find your Equipment

Search by Manufacturer

Search by Product Type

Request a Quote

We sell worldwide for the brands: Genie, Terex, JLG, MultiQuip, Mikasa, Essick, Whiteman, Mayco, Toro Stone, Diamond Products, Generac Magnum, Airman, Haulotte, Barreto, Power Blanket, Nifty Lift, Atlas Copco, Chicago Pneumatic, Allmand, Miller Curber, Skyjack, Lull, Skytrak, Tsurumi, Husquvarna Target, Stow, Wacker, Sakai, Mi-T-M, Sullair, Basic, Dynapac, MBW, Weber, Bartell, Bennar Newman, Haulotte, Ditch Runner, Menegotti, Morrison, Contec, Buddy, Crown, Edco, Wyco, Bomag, Laymor, EZ Trench, Bil-Jax, F.S. Curtis, Gehl Pavers, Heli, Honda, ICS/PowerGrit, IHI, Partner, Imer, Clipper, MMD, Koshin, Rice, CH&E, General Equipment, Amida, Coleman, NAC, Gradall, Square Shooter, Kent, Stanley, Tamco, Toku, Hatz, Kohler, Robin, Wisconsin, Northrock, Oztec, Toker TK, Rol-Air, APT, Wylie, Ingersoll Rand / Doosan, Innovatech, Con X, Ammann, Mecalac, Makinex, Smith Surface Prep, Small Line, Wanco, Yanmar

Cher client,

Nous vous remercions d'avoir choisi un produit Husqvarna ! Nous espérons que cette machine vous donnera toute satisfaction et qu'elle vous accompagnera pendant de longues années. L'achat de l'un des nos produits garantit une assistance professionnelle pour l'entretien et les réparations. Si la machine n'a pas été achetée chez l'un de nos revendeurs autorisés, demandez l'adresse de l'atelier d'entretien le plus proche.

Ce mode d'emploi est précieux. Veillez à ce qu'il soit toujours à portée de main sur le lieu de travail. En suivant les instructions qu'il contient (utilisation, révision, entretien etc.), il est possible d'allonger considérablement la durée de vie de la machine et d'augmenter sa valeur sur le marché de l'occasion. En cas de vente de la machine, ne pas oublier de remettre le manuel d'utilisation au nouveau propriétaire.

Plus de 300 ans d'innovation

Husqvarna AB est une entreprise suédoise qui a vu le jour en 1689 lorsque le roi Karl XI décida de construire un arsenal pour la fabrication des mousquets. À l'époque, les compétences en ingénierie à la base du développement de certains des produits leaders du marché mondial dans des domaines tels que les armes de chasse, les vélos, les motos, les électroménagers, les machines à coudre et les produits d'extérieur, étaient déjà solides.

Husqvarna est le premier fournisseur mondial de produits motorisés pour utilisation en extérieur dans la foresterie, l'entretien de parcs, de pelouses et de jardins, ainsi que d'équipements de coupe et d'outils diamant destinés aux industries de la construction et de la pierre.

Responsabilité du propriétaire

Il est de la responsabilité du propriétaire/de l'employeur de s'assurer que l'utilisateur possède les connaissances nécessaires pour manipuler la machine en toute sécurité. Les responsables et les utilisateurs doivent avoir lu et compris le Manuel d'utilisation. Ils doivent avoir conscience :

- Des instructions de sécurité de la machine.
- Des diverses applications de la machine et de ses limites.
- De la façon dont la machine doit être utilisée et entretenue.

La législation nationale peut réglementer l'utilisation de cette machine. Recherchez la législation applicable dans le lieu où vous travaillez avant d'utiliser la machine.

Droit de réserve du fabricant

Husqvarna peut éditer des informations complémentaires concernant l'utilisation de ce produit en toute sécurité après la publication du présent manuel. Il incombe au propriétaire de se tenir informé des méthodes d'utilisation les plus sûres.

Husqvarna AB travaille continuellement au développement de ses produits et se réserve le droit d'en modifier, entre autres, la conception et l'aspect sans préavis.

Conception et propriétés

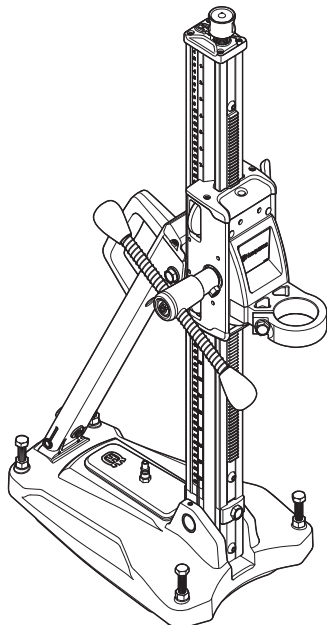
Les produits Husqvarna se distinguent par des valeurs telles que la haute performance, la fiabilité, la technologie innovante, les solutions techniques de pointe et les considérations environnementales. Pour utiliser ce produit en toute sécurité, l'utilisateur doit lire le manuel avec attention. Contactez votre revendeur Husqvarna pour obtenir de plus amples informations.

Certaines des caractéristiques uniques de votre produit sont décrites ci-dessous.

PRÉSENTATION

Colonnes de carottage

DS150

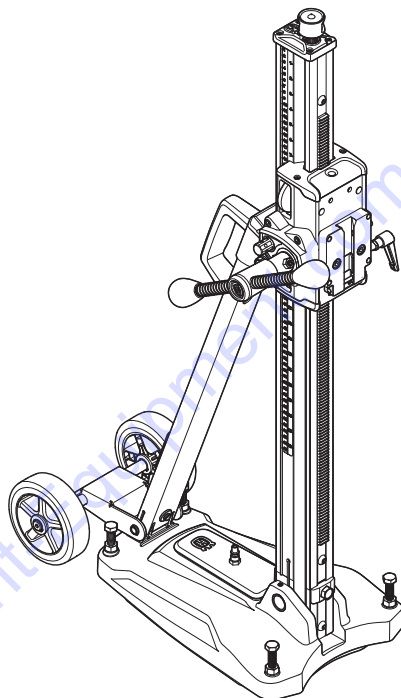


- Ce support est destiné au forage dans les plafonds, les murs et les sols.
- La plaque du socle est en aluminium ce qui la rend extrêmement légère. Elle est équipée d'une plaque à vide intégrée.
- La colonne peut être inclinée de 0 à 60°.
- Le bâti est équipé d'un support de moteur de forage.
- La poignée d'alimentation peut être utilisée pour desserrer et serrer le support de moteur, ajuster les boulons de réglage de la plaque du socle et ajuster l'inclinaison de la colonne.

Accessoires

- Boîte d'engrenages
- Train de roues
- Pompe à vide VP 200

DS250



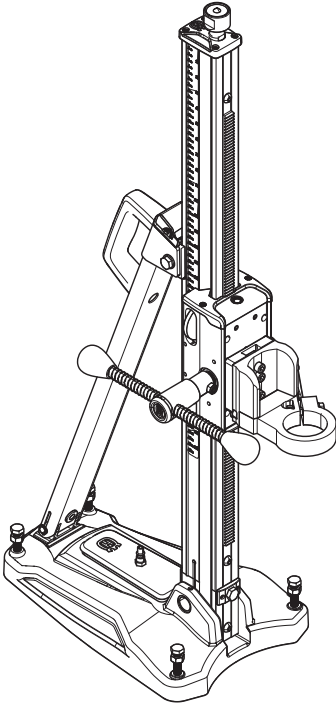
- Ce support est destiné au forage dans les plafonds, les murs et les sols.
- La plaque du socle est en aluminium ce qui la rend extrêmement légère. Elle est équipée d'une plaque à vide intégrée.
- La colonne peut être inclinée de 0 à 60°.
- Le bâti de forage est équipé d'une plaque à raccordement rapide pour le moteur de forage.
- Le train de roues est amovible.
- Le rapport de fonctionnement du carter d'alimentation est ajustable. Le rapport maximum est de 2,25:1 et le rapport minimum, 1:1.
- Le levier d'alimentation peut être utilisé pour ajuster les vis de mise à niveau de la plaque de base et pour régler l'inclinaison souhaitée de la colonne.

Accessoires

- Installation du support de moteur sur le support de montage rapide
- Pompe à vide VP 200

PRÉSENTATION

DS250 Single speed

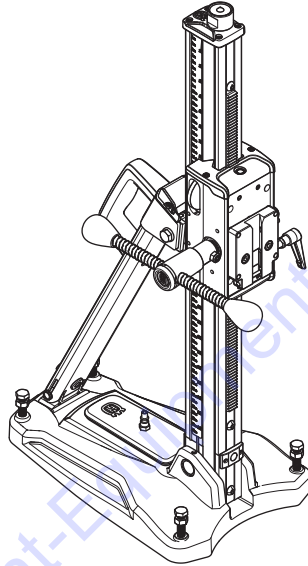


- Ce support est destiné au forage dans les plafonds, les murs et les sols.
- La plaque du socle est en aluminium ce qui la rend extrêmement légère. Elle est équipée d'une plaque à vide intégrée.
- La colonne peut être inclinée de 0 à 60°.
- Le support de forage est monté avec un support de montage rapide et un support de moteur.
- Le levier d'alimentation peut être utilisé pour ajuster les vis de mise à niveau de la plaque de base et pour régler l'inclinaison souhaitée de la colonne.

Accessoires

- Train de roues
- Pompe à vide VP 200

DS250 Single speed short

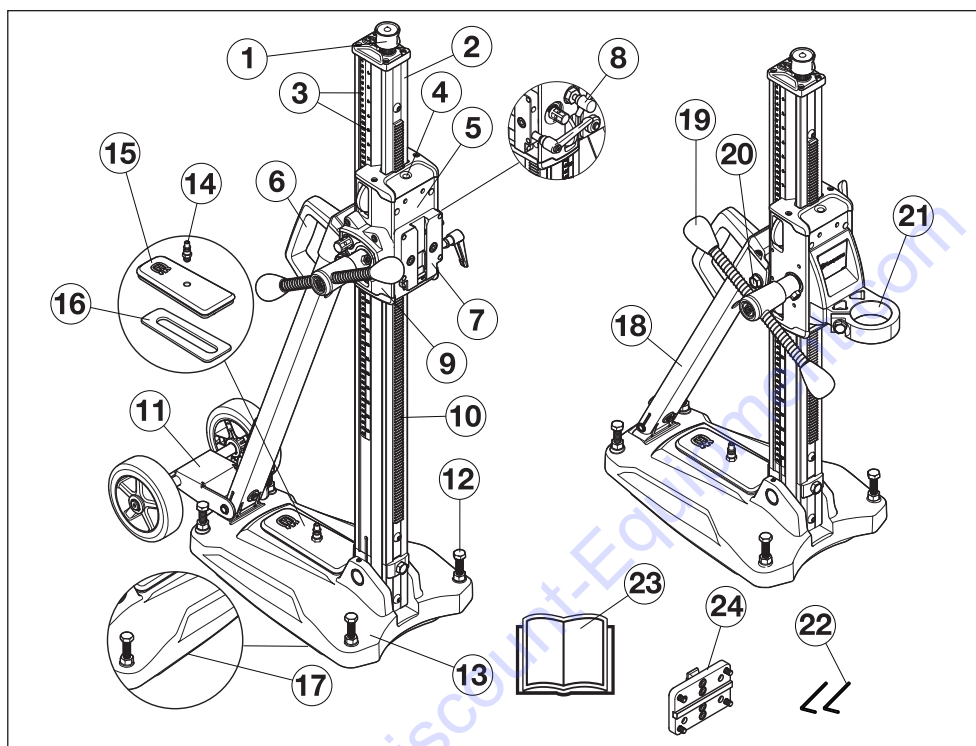


- Ce support est destiné au forage dans les plafonds, les murs et les sols.
- La plaque du socle est en aluminium ce qui la rend extrêmement légère. Elle est équipée d'une plaque à vide intégrée.
- La colonne peut être inclinée de 0 à 60°.
- Le support de forage est monté avec un support de montage rapide.
- Le levier d'alimentation peut être utilisé pour ajuster les vis de mise à niveau de la plaque de base et pour régler l'inclinaison souhaitée de la colonne.

Accessoires

- Train de roues
- Pompe à vide VP 200

QUELS SONT LES COMPOSANTS?



Quels sont les composants du support?

- | | | | |
|----|---|----|--|
| 1 | Vis de calage | 13 | Plaque du socle avec fonction de vide intégrée |
| 2 | Pilier de forage | 14 | Couplage rapide pour pression de vide |
| 3 | Graduation de profondeur et d'inclinaison | 15 | Capot du dispositif à vide |
| 4 | Indicateur de niveau vertical et horizontal | 16 | Joint, couvercle du dispositif de vide |
| 5 | Carter d'alimentation | 17 | Joint, aspiration de mise sous vide |
| 6 | Poignée pour le transport | 18 | Équerre d'appui |
| 7 | Fixation rapide (montage rapide) | 19 | Levier d'alimentation |
| 8 | Verrouillage carter d'alimentation | 20 | Vis de fixation, orientation du pilier de forage |
| 9 | Boîte d'engrenages | 21 | Support de moteur de forage |
| 10 | Crémaillère | 22 | Clé à six pans (3 mm, 4 mm) |
| 11 | Train de roues (amovible) | 23 | Manuel d'utilisation |
| 12 | Vis de réglage | 24 | Plaque de fixation |

Généralités



AVERTISSEMENT! Ne jamais utiliser une machine dont les équipements de sécurité sont défectueux. Contrôler et entretenir les équipements de sécurité de la machine conformément aux instructions données dans ce chapitre. Si les contrôles ne donnent pas de résultat positif, confier la machine à un atelier spécialisé.

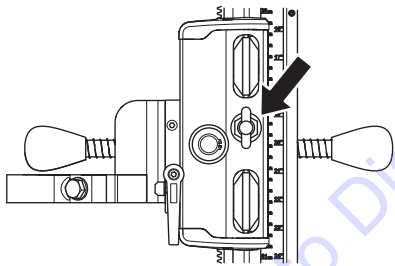
Ce chapitre présente les équipements de sécurité de la machine, leur fonction, comment les utiliser et les maintenir en bon état.

Verrouillage carter d'alimentation

Le verrou du chariot est utilisé lors du remplacement du foret et du montage du moteur de foret. Le verrou se compose d'un bouton qui bloque le chariot sur la colonne de forage.

Inspection du verrou du chariot

- Tournez le bouton de façon à le verrouiller.



- Vérifiez à la main que le chariot est bloqué sur la colonne de forage.

COMMANDE

Mesures avant utilisation d'un nouveau support

- Lire attentivement et bien assimiler le manuel d'utilisation avant d'utiliser la machine.
- Cette machine est conçue pour le perçage du béton, des briques et de différents types de pierres. Toute autre utilisation est incorrecte.
- La machine est conçue pour des applications industrielles et destinée à des opérateurs expérimentés.
- Assurez-vous que le poste de travail est bien rangé. Le désordre augmente les risques d'accident.
- Veuillez également parcourir le mode d'emploi fourni avec le moteur de forage et vérifier que les performances de ce dernier sont compatibles avec le support.

Utilisez toujours votre bon sens

Il est impossible de mentionner toutes les situations auxquelles vous pouvez être confronté. Soyez toujours vigilant et utilisez l'appareil avec bon sens. Évitez toutes les situations pour lesquelles vous ne vous estimez pas suffisamment qualifié. Si, après avoir lu ces instructions, vous ne vous sentez toujours pas à l'aise quant à la manière de procéder, il convient de consulter un expert avant de poursuivre.

N'hésitez pas à prendre contact avec votre revendeur si vous avez des questions sur l'utilisation de la machine. Nous sommes à votre disposition et vous conseillerons avec plaisir pour vous aider à utiliser votre machine en toute sécurité et de façon efficace.

Faites régulièrement contrôler la machine par votre revendeur Husqvarna afin qu'il procède aux installations et réparations adéquates.

Toutes les informations et toutes les données indiquées dans ce manuel d'utilisation étaient valables à la date à laquelle ce manuel a été porté à l'impression.



AVERTISSEMENT! Ne jamais modifier, sous aucun prétexte, la construction initiale de la machine sans l'autorisation du fabricant. N'utiliser que des accessoires et des pièces d'origine. Toute modification non autorisée et/ou tout emploi d'accessoires non homologués peuvent provoquer des accidents graves voire mortels pour l'utilisateur et les autres.

Équipement de protection

Généralités

Ne jamais utiliser une machine s'il n'est pas possible d'appeler au secours en cas d'accident.

Équipement de protection personnelle

Un équipement de protection personnelle homologué doit impérativement être utilisé lors de tout travail avec la machine. L'équipement de protection personnelle n'élimine pas les risques mais réduit la gravité des blessures en cas d'accident. Demander conseil au concessionnaire afin de choisir un équipement adéquat.



AVERTISSEMENT! L'utilisation de produits tels que des ciseaux, des disques, des forets, des disques fins ou des formes peut générer de la poussière et des vapeurs pouvant contenir des substances chimiques toxiques. Vérifiez la composition du matériel avec lequel vous travaillez et portez un masque respiratoire adapté.



AVERTISSEMENT! Une exposition prolongée au bruit risque de causer des lésions auditives permanentes. Toujours utiliser des protecteurs d'oreille agréés. Soyez toujours attentifs aux signaux d'alerte ou aux appels en portant des protège-oreilles. Enlevez-les sitôt le moteur arrêté.



AVERTISSEMENT! Le risque de coincement est toujours présent lors de travail avec des produits comportant des éléments mobiles. Utiliser des gants de protection pour éviter les blessures personnelles.

Toujours utiliser :

- Casque de protection
- Protecteur d'oreilles
- Lunettes protectrices ou visière
- Masque respiratoire
- Gants solides permettant une prise sûre.
- Vêtements confortables, robustes et serrés qui permettent une liberté totale de mouvement.
- Bottes avec coquille en acier et semelle antidérapante.
- Une trousse de premiers secours doit toujours être disponible.

Attention! Les habits, les cheveux longs et les bijoux peuvent se coincer dans les parties en mouvement.

COMMANDE

Instructions générales de sécurité



AVERTISSEMENT! Lire toutes les consignes et instructions de sécurité. Le non-respect des instructions et avertissements suivants peut provoquer des accidents graves voire mortels, à l'utilisateur ou à d'autres personnes.

Sécurité dans l'espace de travail

- **Maintenir un espace de travail propre et bien éclairé.** Les espaces encombrés ou sombres exposent à des accidents.
- Des personnes ou des animaux peuvent détourner l'attention de l'opérateur et l'amener à perdre le contrôle de la machine. C'est pourquoi l'opérateur doit toujours être attentif et concentré sur son travail.
- Ne pas travailler par mauvais temps: brouillard épais, pluie diluvienne, vent violent, grand froid, etc. Travailler par mauvais temps est fatiguant et peut créer des conditions de travail dangereuses telles que le verglas.
- Ne jamais commencer à travailler avec la machine sans avoir le champ libre et les pieds bien d'aplomb. Identifier les obstacles éventuels dans le cas de déplacement inattendu. S'assurer qu'aucun matériau ne risque de tomber et de provoquer des blessures ou des dommages lors de travail avec la machine.
- Contrôlez toujours la partie arrière de la surface traversée par le trépan. Délimitez la zone de travail et vérifiez que personne ne peut être blessé ni aucun matériau endommagé.

Sécurité du personnel



AVERTISSEMENT! Le risque de coincement est toujours présent lors de travail avec des produits comportant des éléments mobiles. Toujours utiliser des gants de protection.

- Utiliser les équipements de protection personnelle. Voir au chapitre "Équipement de protection personnelle".
- Éviter d'utiliser la machine en cas de fatigue, d'absorption d'alcool ou de prise de médicaments susceptibles d'affecter l'acuité visuelle, le jugement ou la maîtrise du corps.
- Ne jamais laisser d'autres personnes utiliser la machine sans s'être assuré au préalable que ces personnes ont bien compris le contenu du mode d'emploi.
- Attention! Les habits, les cheveux longs et les bijoux peuvent se coincer dans les parties en mouvement.
- Ne travaillez jamais seul, mais toujours avec une personne à proximité. Cette personne peut aider à monter la machine, mais aussi intervenir en cas d'accident.

Utilisation et entretien

- Ne jamais utiliser une machine qui n'est pas en parfait état de marche. Appliquer les instructions de maintenance et d'entretien ainsi que les contrôles de sécurité indiqués dans ce manuel d'utilisation. Certaines mesures de maintenance et d'entretien doivent être confiées à un spécialiste dûment formé et qualifié. Voir les instructions à la section Maintenance.
- Ne jamais utiliser une machine qui a été modifiée au point de ne plus être conforme au modèle original.
- Assurez-vous que toutes les pièces sont en état de fonctionnement et que tous les éléments de fixation sont correctement serrés.

Transport et rangement

- Stockez l'équipement dans un endroit verrouillé afin de le maintenir hors de portée des enfants et de toute personne incompétente.
- Stockez la perceuse et le support dans un endroit sec et à l'abri du gel.

Consignes générales de sécurité relatives au support de travail



AVERTISSEMENT! Lire toutes les consignes et instructions de sécurité. Le non-respect des consignes et instructions peut provoquer une électrocution, un incendie et/ou des blessures graves.

ATTENTION ! Conserver toutes ces consignes et instructions pour toute consultation ultérieure.

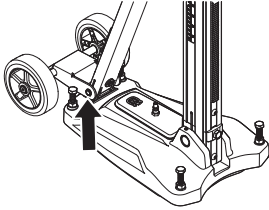
- **Débranchez la fiche de la prise et/ou le bloc de batteries de l'outil à moteur avant de procéder aux réglages ou de changer les accessoires** Un démarrage accidentel de l'outil à moteur peut entraîner des accidents.
- **Assemblez correctement le support de travail avant de monter l'outil.** Un assemblage correct est essentiel pour réduire le risque d'effondrement.
- **Fixez et sécurisez l'outil à moteur sur le support de travail avant toute utilisation.** Vous risquez de perdre le contrôle si l'outil à moteur bouge sur le support de travail.
- **Placez le support de travail sur une surface solide, plate et régulière.** Si le support de travail risque de se déplacer ou de bouger, vous pourriez ne plus pouvoir contrôler l'outil à moteur ou la pièce de travail de façon ferme et sûre.
- **Ne surchargez pas le support de travail et ne l'utilisez pas comme échafaudage.** En cas de surcharge ou si vous montez sur le support, l'ensemble risque de se renverser en raison d'une répartition inégale du poids.

Ce support est destiné aux machines Husqvarna DM. Utilisez uniquement des outils à moteur conçus pour ce support.

MONTAGE

Réglage du train de roues

- Installer le train de roues sur l'équerre d'appui.
- Ajuster le train de roues dans le support à l'arrière de la plaque inférieure et serrer les vis.



Sécuriser le bâti

Il y a trois méthodes de fixation du bâti.

- Sécurisation avec plaque à vide
- Fixation avec mandrin expansible ou ancrage
- Fixation avec tige filetée, rondelle et contre-écrou

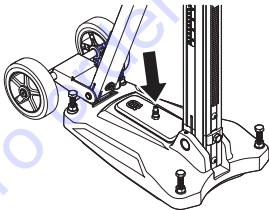
Sécurisation avec plaque à vide



AVERTISSEMENT! Il convient de ne jamais utiliser la plaque à vide pour le forage dans un plafond ou dans un mur. Une utilisation imprudente ou incorrecte peut résulter en des blessures graves voire mortelles.

Si vous utilisez la plaque à dépression, assurez-vous que la surface d'appui est non poreuse et qu'elle ne peut pas se desserrer. Vérifiez que la pompe à vide possède la capacité nécessitée par la plaque de sous-pression.

- Installer le joint d'évacuation sur la plaque du socle.
- Raccorder la pompe à vide au couplage rapide pour la pression de vide sur la plaque du socle.



- Placer la plaque du socle dans la position souhaitée.
- Mettre en marche la pompe à vide. Une pression minimum de 635 mm Hg (25 pouces Hg) doit être atteinte pour que la plaque du socle adhère fermement à la surface.

Fixation avec mandrin expansible ou ancrage

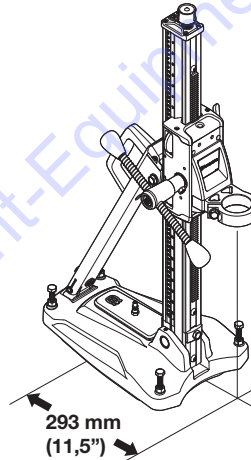


IMPORTANT! Pour le forage de plafonds, il convient de n'utiliser qu'un mandrin expansible ou un ancrage adapté aux surfaces exposées à des forces de traction.

N'utiliser qu'un mandrin expansible ou un ancrage approuvé pour la présente application.

DS150

- Percer un trou pour le mandrin expansible/ancrage à une distance de 293 mm (11,5") du centre du trou.

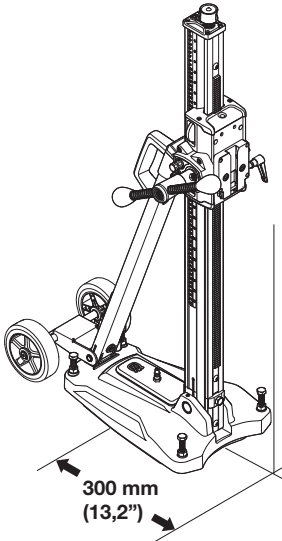


- Serrer fortement la plaque du socle. Contrôlez soigneusement que la vis d'expansion est bien ancrée.
- La plaque du socle peut être ajustée à la surface à l'aide des vis de réglage. Utiliser le levier d'alimentation.

MONTAGE

DS250, DS250 Single speed, DS250 Single speed short

- Percer un trou pour le mandrin expansible/ancrage à une distance de 300 mm (11,8") du centre du trou. Appliquer une distance de 300 mm (11,8") pour le couplage avec le support de montage rapide pour le DM220. Avec un support de moteur de forage, la distance doit être de 320 mm (12,6").



- Serrer fortement la plaque du socle. Contrôlez soigneusement que la vis d'expansion est bien ancrée.
- La plaque du socle peut être ajustée à la surface à l'aide des vis de réglage. Utiliser le levier d'alimentation.

Fixation avec tige filetée, rondelle et contre-écrou

Si la surface de montage est inadaptée au forage dans des plafonds ou des murs, la plaque du socle peut être fixée à l'aide d'une tige filetée montée à l'arrière avec une rondelle et un contre-écrou.

Montage du moteur de forage



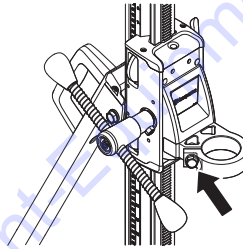
IMPORTANT! Toujours débrancher la prise avant le nettoyage, l'entretien et le montage.

- Retirez toujours le trépan avant de monter ou de déposer le moteur.
- Enclenchez le dispositif de blocage du boîtier de commande.

Montage du support de moteur de forage

DS150

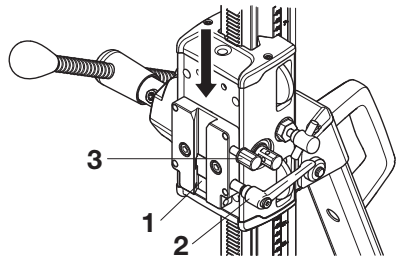
- Fixer la broche de forage sur le support du moteur de forage. Utiliser le levier d'alimentation.



Montage de la fixation rapide

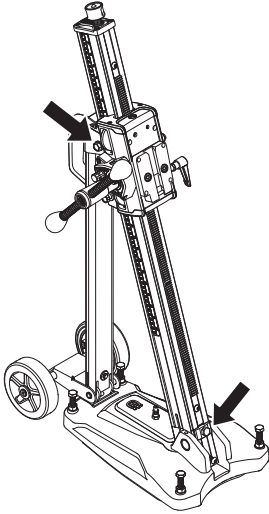
DS250, DS250 Single speed, DS250 Single speed short

- Installer la fixation rapide de la foreuse dans le rail sur la cale de blocage. Veiller à ce que le support rapide soit bien inséré jusqu'en bas (1) du rail sur le clip de blocage.
- Fixer à l'aide de vis de poignée de verrouillage (2).



Utilisez la vis de blocage supérieure (3) uniquement avec DMS 240.

Régler l'inclinaison de la colonne



Desserrer les vis de blocage pour l'inclinaison de la colonne et régler l'angle de forage souhaité. Serrer les vis de blocage. Utiliser le levier d'alimentation. La colonne peut être inclinée de 0 à 60°.

L'indicateur d'angle peut être utilisé pour un réglage approximatif. Si une précision supérieure est nécessaire, il convient d'utiliser des méthodes de mesure alternatives.

Forage dans le plafond



AVERTISSEMENT! Utilisez un collecteur d'eau pour éviter l'infiltration de l'eau dans la machine. La machine doit être recouverte avec du plastique ou matériau similaire pour empêcher l'infiltration d'eau; cependant, la prise d'air et l'orifice d'échappement ne doivent pas être recouverts.

ENTRETIEN

Entretien du support



AVERTISSEMENT! Les contrôles et/ou les entretiens doivent être effectués avec le moteur à l'arrêt et la prise électrique débranchée.

Une utilisation, un entretien et une maintenance corrects de la machine permettent de prolonger considérablement sa durée de vie.

Nettoyage et graissage



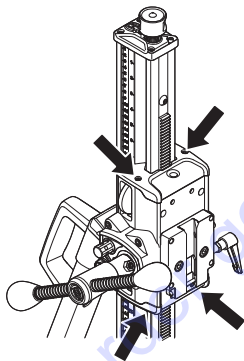
IMPORTANT! Retirez le moteur de forage.

- Pour qu'il continue à fonctionner correctement, il est essentiel que le support de forage soit toujours propre.
- Le support doit être nettoyé avec de l'air comprimé, puis séché.
- Graissez les éléments mobiles du support. Utilisez une graisse afin d'éliminer tout risque de corrosion sur les surfaces de contact.

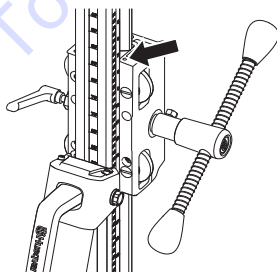
Réglage du boîtier de commande

S'il y a du jeu entre la colonne et le boîtier de commande, il convient de l'ajuster.

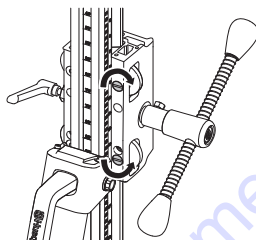
- Retirer les carters du chariot en plastique supérieur et inférieur.



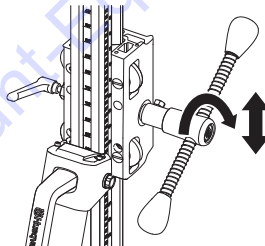
- Desserrer le jeu de vis fixant les axes du rouleau de guidage.



- Commencer avec le galet de guidage supérieur. Utiliser un tournevis plat et tourner dans le sens des aiguilles d'une montre pour le guider à proximité de la colonne.
- Serrer le jeu de vis pour fixer le rouleau de guidage.
- Ajuster le galet inférieur en vissant dans le sens inverse des aiguilles d'une montre pour le guider à proximité de la colonne.



- Serrer le jeu de vis pour fixer le rouleau de guidage.
- Utiliser le levier de commande pour voir si le boîtier bouge en douceur le long de la colonne. Dans le cas contraire, régler de nouveau les galets.



- Placer les carters du chariot en plastique inférieur et supérieur.

Réparations



IMPORTANT! Toutes les réparations doivent être effectuées par des réparateurs agréés. Ceci permet d'éviter que les opérateurs ne soient exposés à des risques importants.

Entretien quotidien

- 1 S'assurer que toutes les vis et tous les écrous sont bien serrés.
- 2 Nettoyer l'extérieur de la machine.
- 3 Vérifier que le bras de manivelle peut être déplacé sans résistance.
- 4 Vérifier que l'embrayage bouge facilement et n'émet aucun bruit.
- 5 Vérifier que la colonne ne présente aucune usure ou n'est pas endommagée.
- 6 Vérifier que le boîtier de commande peut être bougé facilement et ne saccade pas le long de la colonne de bâti.

CARACTÉRISTIQUES TECHNIQUES

Dimensions	DS150	DS250	DS250 Single speed	DS250 Single speed short
Hauteur, mm/pouces	862/33,9	1052/41,4	1052/41,4	862/33,9
Largeur, mm/pouces	266/10,5	266/10,5	266/10,5	266/10,5
Profondeur, mm/pouces	522/20,6	545/21,5	545/21,5	545/21,5
Poids, kg/lb	14/30,9	17/37,5	16/35,3	15/38
Course, mm/pouces	495/19,5	686/27	686/27	495/19,5
Diamètre max. de forage, mm/pouces	150/6	250/10	150/6 (support de moteur de forage) 250/10 (fixation rapide)	250/10
Angle du pilier de forage	0-60°	0-60°	0-60°	0-60°
Charge maximale, kg/lb	50/110	50/110	50/110	50/110

Déclaration CE de conformité

(Concerne seulement l'Europe)

Husqvarna AB, SE-561 82 Huskvarna, Sweden, tél. : +46-36-146500, déclare sous sa seule responsabilité que le support de forage **Husqvarna DS150, DS250, DS250 Single speed et DS250 Single speed short** à partir des numéros de série de l'année de fabrication 2014 et ultérieurement (l'année est indiquée en clair sur la plaque d'identification, suivie d'un numéro de série) sont conformes aux dispositions de la DIRECTIVE DU CONSEIL :

- du 17 mai 2006 "directive machines" **2006/42/CE**.

Les normes harmonisées suivantes ont été appliquées:

SS-EN12348+A1:2009

Göteborg, le 13 janvier 2014

VERKLARING VAN DE SYMBOLEN

Symbolen op de machine

WAARSCHUWING! Wanneer de machine onjuist of slordig wordt gebruikt, kan het een gevaarlijk gereedschap zijn, dat ernstig letsel of overlijden van de gebruiker of anderen kan veroorzaken.



Neem de gebruiksaanwijzing grondig door en gebruik de machine niet voor u alles duidelijk heeft begrepen.



Overige op de machine aangegeven symbolen/plaatjes verwijzen naar specifieke eisen aan certificering op bepaalde markten.

Toelichting op de waarschuwningsniveaus

De waarschuwingen zijn onderverdeeld in drie niveaus.

WAARSCHUWING!



WAARSCHUWING! Wordt gebruikt indien er een risico bestaat op ernstig of fataal letsel voor de gebruiker of schade aan de omgeving wanneer de instructies in de handleiding niet worden gevolgd.

VOORZICHTIG!



VOORZICHTIG! Wordt gebruikt indien er een risico bestaat op letsel voor de gebruiker of schade aan de omgeving wanneer de instructies in de handleiding niet worden gevolgd.

LET OP!

LET OP! Wordt gebruikt indien er een risico bestaat op schade aan materialen of de machine wanneer de instructies in de handleiding niet worden gevolgd.

Inhoud

VERKLARING VAN DE SYMBOLEN

Symbolen op de machine	44
Toelichting op de waarschuwingsniveaus	44

INHOUD

Inhoud	45
--------------	----

PRESENTATIE

Beste klant!	46
Ontwerp en eigenschappen	46
Boorstatieven	47

WAT IS WAT?

Wat is wat op het statief?	49
----------------------------------	----

VEILIGHEIDSUITRUSTING VOOR DE MACHINE

Algemeen	50
Vergrendeling toevoerhuis	50

BEDIENING

Voordat u een nieuw statief in gebruik neemt	51
Veiligheidsuitrusting	51
Algemene veiligheidsinstructies	52
Algemene veiligheidswaarschuwingen voor het werkstatief	52

MONTEREN

De wielenset bevestigen	53
Het statief vastzetten	53
Boormotor in elkaar zetten	54
De kolomschuinstelling aanpassen	55
Boren in plafonds	55

ONDERHOUD

Onderhoud van statief	56
-----------------------------	----

TECHNISCHE GEGEVENS

EG-verklaring van overeenstemming	57
---	----

Beste klant!

Hartelijk dank dat u voor een Husqvarna-product hebt gekozen!

Wij hopen dat u tevreden zult zijn met uw machine en dat deze u gedurende lange tijd zal vergezellen. Met de aankoop van een van onze producten krijgt u de beschikking over professionele hulp voor reparaties en service. Als u uw machine niet hebt gekocht bij één van onze erkende dealers, vraag hen dan waar de dichtstbijzijnde erkende werkplaats is.

Deze gebruiksaanwijzing is een waardevol document. Zorg dat u hem altijd bij de hand hebt op de werkplek. Door de inhoud (gebruik, service, onderhoud enz.) te volgen kunt u de levensduur van uw machine én de tweedehands waarde aanzienlijk verlengen. Mocht u uw machine verkopen moet u ervoor zorgen de gebruiksaanwijzing aan de nieuwe eigenaar over te dragen.

Meer dan 300 jaar innovatie

Husqvarna AB is een Zweeds bedrijf met een geschiedenis die teruggaat tot 1689, toen de Zweedse koning Karl XI een fabriek liet bouwen voor de productie van musketten. Op dat moment was de basis al gelegd voor de constructievaardigheden die ten grondslag liggen aan de ontwikkeling van een aantal producten die wereldwijd toonaangevend zijn, zoals jachtwapens, fietsen, motorfietsen, huishoudelijke apparatuur, naaimachines en buitenproducten.

Husqvarna is wereldleider op het gebied van elektrische buitenproducten voor bosbouw, park-, gazon- en tuinonderhoud, alsmede zaagapparatuur en diamantgereedschap voor de bouw- en steenindustrie.

Verantwoordelijkheid van eigenaar

Het is de verantwoordelijkheid van de eigenaar/gebruiker om ervoor te zorgen dat de gebruiker voldoende weet over een veilig gebruik van de machine. Leidinggevend en gebruikers moeten de gebruiksaanwijzing hebben gelezen en begrepen. Ze moeten op de hoogte zijn van:

- De veiligheidsinstructies voor de machine.
- De mogelijke toepassingen en de beperkingen van de machine.
- De manier waarop de machine moet worden gebruikt en onderhouden.

Mogelijk zijn er nationale wettelijke voorschriften van toepassing op het gebruik van deze machine. Onderzoek welke wetgeving van toepassing is op de plaats waar u werkt voordat u de machine in gebruik neemt.

Specifieke bepalingen van de fabrikant.

Na publicatie van deze gebruiksaanwijzing verstrekt Husqvarna mogelijk aanvullende informatie voor veilig gebruik van dit product. Het is de verantwoordelijkheid van de eigenaar om op de hoogte blijven van de veiligste gebruiksmethoden.

Husqvarna AB werkt voortdurend aan het verder ontwikkelen van haar producten en houdt zich dan ook het recht voor om zonder aankondiging vooraf wijzigingen in o.a. vorm en uiterlijk door te voeren.

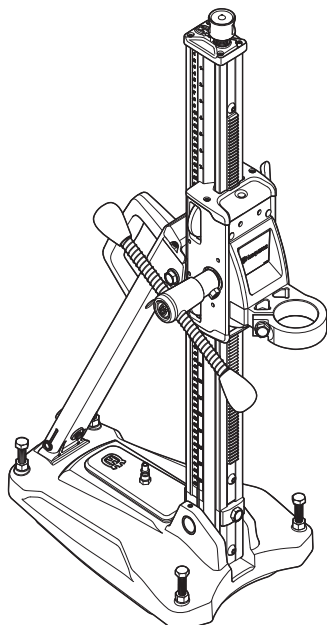
Ontwerp en eigenschappen

De producten van Husqvarna onderscheiden zich door waarden zoals hoge prestaties, betrouwbaarheid, innovatieve technologie, geavanceerde technische oplossingen en milieuoverwegingen. Voor een veilig gebruik van dit product dient de gebruiker deze gebruiksaanwijzing grondig te lezen. Neem contact op met uw dealer of Husqvarna wanneer u meer informatie nodig hebt.

Hieronder worden enkele unieke kenmerken van uw product beschreven.

Boorstatieven

DS150

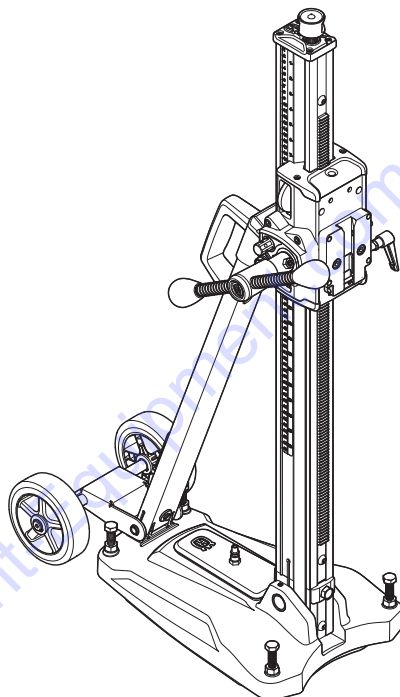


- De standaard is voor het boren in plafonds, wanden en vloeren.
- De bodemplaat is vervaardigd van aluminium en is daarom zeer licht in gewicht. Hij is voorzien van een ingebouwde vacuümplaat.
- De kolom kan in een hoek van 0-60° worden gezet.
- Het statief is uitgerust met een kraag.
- De invoerhendel kan worden gebruikt om de kraag los te maken en vast te draaien, om de afstelbouten in de bodemplaat af te stellen en om de hoek van de kolom aan te passen.

Hulpstuk

- Tandwielkast
- Wielenset
- VP 200 vacuümpomp

DS250



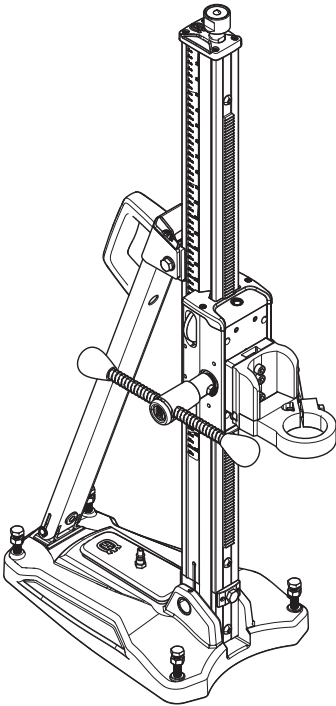
- De standaard is voor het boren in plafonds, wanden en vloeren.
- De bodemplaat is vervaardigd van aluminium en is daarom zeer licht in gewicht. Hij is voorzien van een ingebouwde vacuümplaat.
- De kolom kan in een hoek van 0-60° worden gezet.
- Het boorstatief is voorzien van een snelkoppelingsplaat voor de boormotor.
- De wielenset kan worden verwijderd.
- De transmissie van het toevoerhuis is instelbaar. De hoge instelling geeft 2,25:1 en de lage 1:1.
- De toevoerhendel kan worden gebruikt om de stelschroeven van de bodemplaat en de gewenste kolomschuinstelling in te stellen.

Hulpstuk

- Kraag voor montage op de snelbevestigingssteun.
- VP 200 vacuümpomp

PRESENTATIE

DS250 Single speed

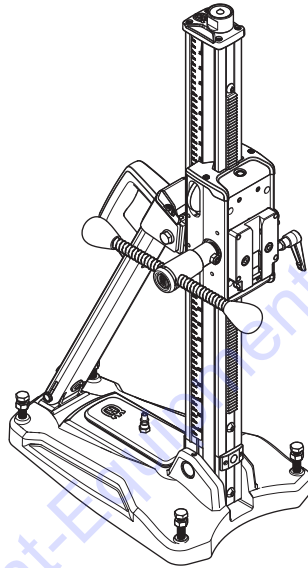


- De standaard is voor het boren in plafonds, wanden en vloeren.
- De bodemplaat is vervaardigd van aluminium en is daarom zeer licht in gewicht. Hij is voorzien van een ingebouwde vacuümplaat.
- De kolom kan in een hoek van 0-60° worden gezet.
- Het boorstatief kan worden gemonteerd met een snelbevestigingssteun en een kraag.
- De toevoerhendel kan worden gebruikt om de stelschroeven van de bodemplaat en de gewenste kolomschuinstelling in te stellen.

Hulpstuk

- Wielenset
- VP 200 vacuümpomp

DS250 Single speed short

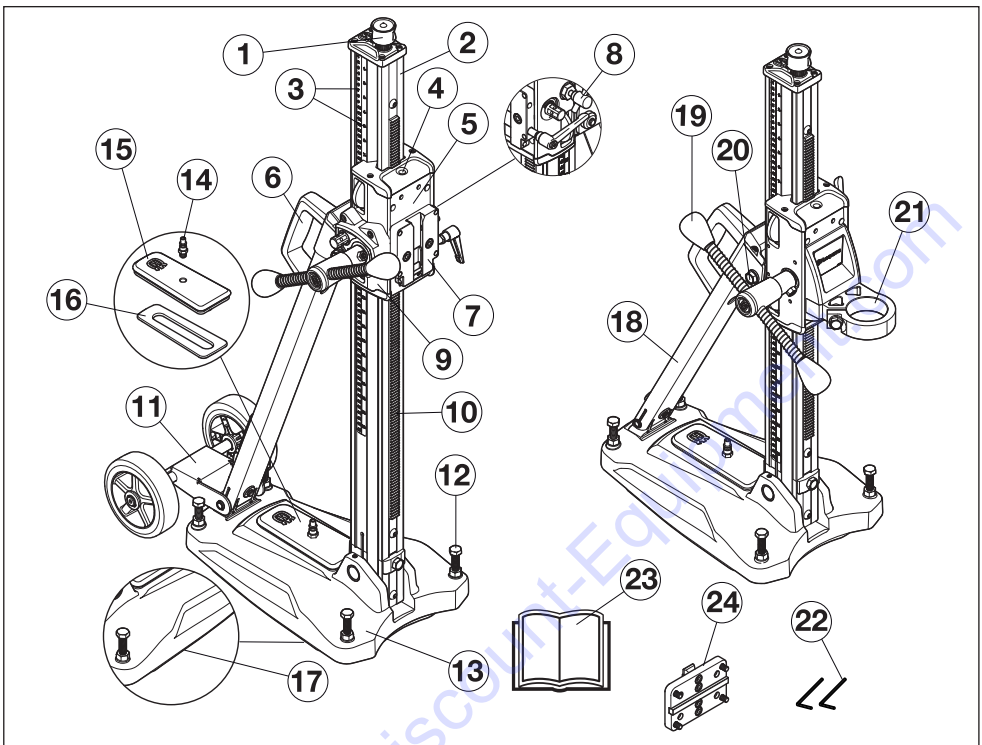


- De standaard is voor het boren in plafonds, wanden en vloeren.
- De bodemplaat is vervaardigd van aluminium en is daarom zeer licht in gewicht. Hij is voorzien van een ingebouwde vacuümplaat.
- De kolom kan in een hoek van 0-60° worden gezet.
- Het boorstatief kan worden gemonteerd met een snelbevestigingssteun.
- De toevoerhendel kan worden gebruikt om de stelschroeven van de bodemplaat en de gewenste kolomschuinstelling in te stellen.

Hulpstuk

- Wielenset
- VP 200 vacuümpomp

WAT IS WAT?



Wat is wat op het statief?

- | | |
|--|---|
| 1 Stutschroef | 13 Bodemplaat met geïntegreerde vacuümfunctie |
| 2 Boorkolom | 14 Snelkoppeling voor vacuümsysteem |
| 3 Schaalaanduiding voor diepte en hoek | 15 Afdekking vacuümsysteem |
| 4 Verticale en horizontale waterpas | 16 Pakking, afdekking vacuümsysteem |
| 5 Toevoerhuis | 17 Pakking, vacuümplaat |
| 6 Draaghandgreep | 18 Hoeksteun |
| 7 Borgklem (snelbevestiging) | 19 Toevoerhendel |
| 8 Vergrendeling toevoerhuis | 20 Borgschroef, boorkolom voor boren onder een hoek |
| 9 Tandwielkast | 21 Kraag |
| 10 Tandstang | 22 Inbussleutel (3 mm, 4 mm) |
| 11 Wielenset (afneembaar) | 23 Gebruiksaanwijzing |
| 12 Stelschroeven | 24 Montageplaat |

VEILIGHEIDSUITRUSTING VOOR DE MACHINE

Algemeen



WAARSCHUWING! Gebruik de machine nooit wanneer de veiligheidsuitrusting defect is. De veiligheidsuitrusting van de machine moet gecontroleerd en onderhouden worden zoals beschreven in dit hoofdstuk. Als uw machine niet door alle controles komt, moet u ermee naar uw servicewerkplaats voor reparatie.

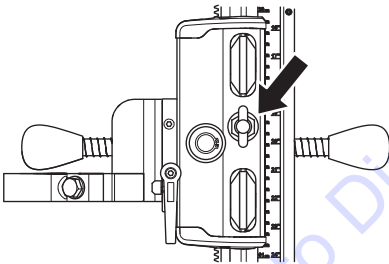
In dit hoofdstuk wordt verklaard wat de veiligheidsonderdelen van de machine zijn, welke functie ze hebben en hoe de controle en het onderhoud moeten uitgevoerd worden om hun goede werking veilig te stellen.

Vergrendeling toevoerhuis

De vergrendeling van de slede wordt gebruikt bij het vervangen van het boorbitje en het monteren van de boormotor. De vergrendeling bestaat uit een knop die de slede op de boorkolom vastzet.

Vergrendeling van de slede controleren

- Draai de knop vast.



- Voel met de hand of de slede op de boorkolom is vergrendeld.

Voordat u een nieuw statief in gebruik neemt

- Neem de gebruiksaanwijzing grondig door en gebruik de machine niet voor u alles duidelijk heeft begrepen.
- Deze machine is geconstrueerd voor het boren in beton, baksteen en ander steenmateriaal. Alle overige gebruik is verkeerd.
- De machine is bedoeld voor gebruik in industriële toepassingen door ervaren operators.
- Hou de werkplek netjes. Rommel leidt tot risico van ongelukken.
- Lees tevens de gebruiksaanwijzing die bij de boormotor hoort en controleer of de prestaties van de motor compatibel zijn met het statief.

Gebruik altijd uw gezond verstand

Het is niet mogelijk om elke mogelijk situatie te vermelden. Wees altijd voorzichtig en gebruik uw gezond verstand. Vermijd situaties die uw capaciteiten te boven gaan. Als u na het lezen van deze instructies nog vragen hebt over de bedieningsprocedures dient u een expert te raadplegen voordat u verder gaat.

Aarzel niet om contact op te nemen met uw leverancier als u nog meer vragen hebt over het gebruik van deze machine. We zijn graag bereid om u te adviseren of u te helpen uw machine op een efficiënte en veilige manier te gebruiken.

Laat de machine regelmatig controleren door uw Husqvarna-leverancier en laat hem de nodige aanpassingen en reparaties uitvoeren.

Alle informatie en gegevens in deze gebruiksaanwijzing waren van toepassing op de datum dat deze gebruiksaanwijzing ter perse ging.



WAARSCHUWING! De oorspronkelijke vormgeving van de machine mag onder geen enkele omstandigheid worden gewijzigd zonder toestemming van de fabrikant. Gebruik altijd originele onderdelen. Niet goedgekeurde wijzigingen en/of niet-originele onderdelen kunnen tot ernstige verwondingen of het overlijden van zowel gebruiker of anderen leiden.

Veiligheidsuitrusting

Algemeen

Gebruik de machine nooit zonder de mogelijkheid hulp in te roepen in geval van nood.

Persoonlijke veiligheidsuitrusting

Bij al het gebruik van de machine moet goedgekeurde persoonlijke beschermingsuitrusting gebruikt worden. Persoonlijke beschermingsuitrusting elimineert de risico's niet, maar vermindert het schadelijk effect in geval van een ongeval. Vraag uw dealer om raad wanneer u uw uitrusting koopt.



WAARSCHUWING! Het gebruik van producten die materiaal snijden, schuren, boren, polijsten of vormen, kan stof en dampen genereren die schadelijke chemicaliën kunnen bevatten. Zoek uit hoe het materiaal waarmee u werkt is samengesteld en draag een geschikt stofmasker.



WAARSCHUWING! Langdurige blootstelling aan lawaai kan leiden tot permanente gehoorschadiging. Gebruik daarom altijd goedgekeurde gehoorbescherming. Wees altijd bedacht op waarschuwingssignalen of geroep wanneer u gehoorbescherming gebruikt. Doe de gehoorbescherming altijd af zodra de motor is gestopt.



WAARSCHUWING! Het risico van beknelling is altijd aanwezig bij het werken met producten met beweegbare onderdelen. Gebruik veiligheidshandschoenen om lichamelijk letsel te voorkomen.

Draag altijd:

- Veiligheidshelm
- Gehoorbeschermers
- Veiligheidsbril of vizier
- Stofmasker
- Sterke, gripvaste handschoenen.
- Nauwsluitende, sterke en prettige kleding die volledige bewegingsvrijheid toelaat.
- Laarzen met stalen neus en anti-slip zool.
- U moet altijd een EHBO-kit bij de hand hebben.

Let erop dat kleding, lang haar en sieraden in de bewegende delen vast kunnen raken.

BEDIENING

Algemene veiligheidsinstructies



WAARSCHUWING! Lees alle veiligheidswaarschuwingen en instructies door. Het niet navolgen van de waarschuwingen en instructies kan tot ernstig letsel of de dood van zowel de gebruiker als omstanders leiden.

Veiligheid op de werkplek

- **Zorg ervoor dat de werkplek schoon en goed verlicht is.** Rommelige of donkere werkplekken werken ongelukken in de hand.
- Mensen en dieren kunnen u afleiden waardoor u de controle over de machine verliest. Wees daarom altijd geconcentreerd en op uw taak gericht.
- Gebruik de motorkettingzaag niet in ongunstige weersomstandigheden. B.v. bij dichte mist, hevige regen, harde wind, hevige koude enz. Werken in slechte weersomstandigheden is vermoeiend en kan tot gevaarlijke situaties leiden, zoals een gladde ondergrond.
- Begin nooit met de machine te werken voordat het werkteerrein ontruimd is en u stevig staat. Kijk of er eventuele obstakels zijn wanneer een onverwachte verplaatsing optreedt. Verzeker u ervan dat er geen materiaal naar beneden kan vallen en verwondingen kan veroorzaken terwijl u met de machine werkt.
- Controleer altijd de achterkant van het vlak, waar de boorkop bij het doorboren uitkomt. Beveilig het gebied door het af te zetten en zorg ervoor dat mensen of materiaal geen schade oplopen.

Persoonlijke veiligheid



WAARSCHUWING! Het risico van beknelling is altijd aanwezig bij het werken met producten met beweegbare onderdelen. Gebruik altijd beschermhandschoenen.

- Draag altijd persoonlijke veiligheidsuitrusting. Zie instructies in het hoofdstuk "Persoonlijke veiligheidsuitrusting".
- Gebruik de machine nooit als u moe bent, alcohol heeft gedronken of medicijnen heeft ingenomen die uw gezichtsvermogen, beoordelingsvermogen of coördinatievermogen negatief beïnvloeden.
- Laat nooit een ander de machine gebruiken zonder u ervan te verzekeren dat ze de inhoud van de gebruiksaanwijzing hebben begrepen.
- Let erop dat kleding, lang haar en sieraden in de bewegende delen vast kunnen raken.
- Werk nooit alleen, maar zorg dat er iemand in de buurt is. U kunt dan niet alleen hulp krijgen bij het monteren van de machine, maar ook wanneer een ongeval zou plaatsvinden.

Gebruik en onderhoud

- Gebruik nooit een machine die defect is. Voer de in deze handleiding beschreven veiligheidscontroles en de onderhouds- en service-instructies uit. Bepaalde onderhouds- en servicemaatregelen moeten door opgeleide en gekwalificeerde specialisten worden uitgevoerd. Zie de instructies in het hoofdstuk Onderhoud.
- Gebruik nooit een machine die zo gewijzigd is dat ze niet langer overeenkomt met de originele uitvoering.
- Hou alle onderdelen in werkzame staat en zorg ervoor dat alle bevestigingen goed zijn vastgedraaid.

Transport en opbergen

- Sla de apparatuur op in een afsluitbare ruimte zodat het buiten het bereik is van kinderen en onbevoegde personen.
- Bewaar boormachine en statief droog en vorstvrij.

Algemene veiligheidswaarschuwingen voor het werkstatief



WAARSCHUWING! Lees alle veiligheidswaarschuwingen en instructies door. Het negeren van waarschuwingen en instructies kan elektrische schokken, brand en/of ernstig letsel tot gevolg hebben.

LET OP! Bewaar alle waarschuwingen en instructies voor later gebruik.

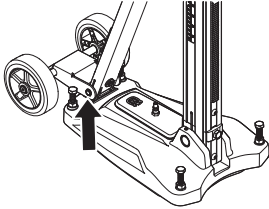
- **Haal de stekker uit het stopcontact en/of verwijder de accu uit het elektrische gereedschap voordat u aanpassingen maakt of accessoires verwisselt.** Per ongeluk starten van elektrisch gereedschap leidt soms tot ongevallen.
- **Monteer eerst goed het werkstatief voordat u het gereedschap erop bevestigt.** Bij onjuiste installatie kan het statief inklinken.
- **Bevestig voor gebruik het elektrische gereedschap stevig aan het werkstatief.** Elektrisch gereedschap dat verschuift op het werkstatief kan leiden tot verlies van controle.
- **Plaats het werkstatief op een stevig, vlak en horizontaal oppervlak.** Als het werkstatief kan verschuiven of wiebelen, hebt u geen stabiele en veilige controle over het elektrische gereedschap of het werkstuk.
- **Overbelast het werkstatief niet en gebruik het niet om erop te staan.** Als u het werkstatief overbelast of erop gaat staan, wordt het topzwaar en kan het gemakkelijk omvallen.

Dit statief is geschikt voor DM-machines van Husqvarna. Gebruik alleen elektrisch gereedschap dat voor dit statief ontworpen is.

MONTEREN

De wielenset bevestigen

- Monteer de wielenset op de sledekolom.
- Monteer de wielenset op de steun op de achterkant van de bodemplaat en draai de schroeven vast.



Het statief vastzetten

Het statief kan op drie manieren worden vastgezet.

- Vastzetten met behulp van de vacuümplaat
- Bevestigen met expansie- of ankerbout
- Bevestigen met behulp van draadstang, sluitring en borgmoer

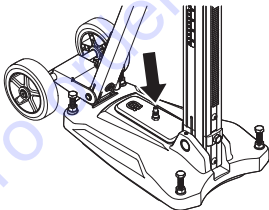
Vastzetten met behulp van de vacuümplaat



WAARSCHUWING! De vacuümplaat mag nooit worden gebruikt voor het boren in plafonds of wanden. Slordig of onjuist gebruik kan resulteren in ernstig of zelfs levensbedreigend letsel.

Zorg bij gebruik van de vacuümplaat dat het steunoppervlak niet poreus is en niet kan losraken. Vergewis u ervan dat de vacuümpomp in staat is de vacuümplaat vast te houden.

- Monteer de vacuümpakking op de bodemplaat.
- Sluit de vacuümpomp aan op de snelkoppeling voor vacuümdruk op de bodemplaat.



- Plaats de bodemplaat in de gewenste positie.
- Schakel de vacuümpomp in. Er is een druk van minimaal 635 mm Hg nodig om ervoor te zorgen dat de bodemplaat zich stevig vastzuigt aan een oppervlak.

Bevestigen met expansie- of ankerbout

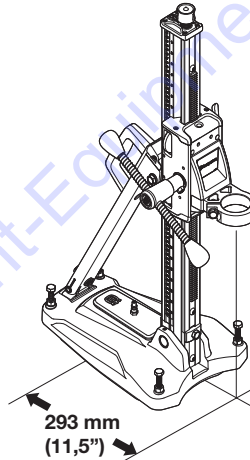


BELANGRIJK! Voor het boren in plafonds moeten alleen expanders of verankeringen worden gebruikt die geschikt zijn voor oppervlakken die worden blootgesteld aan spankrachten.

Gebruik uitsluitend expansie- of ankerbouten die zijn goedgekeurd voor de betreffende toepassing.

DS150

- Boor een gat voor de expansie- of ankerbout op een afstand van 293 mm vanuit het hart van het gat.

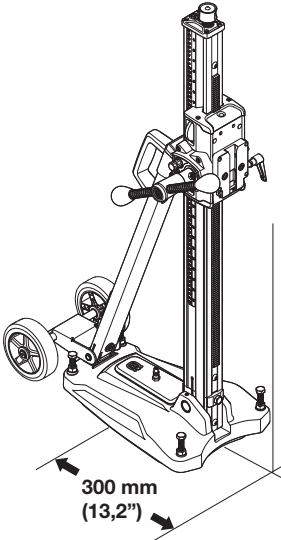


- Schroef de bodemplaat stevig vast. Controleer zorgvuldig of de bout goed vastzit.
- De bodemplaat kan waterpas worden gezet op de ondergrond met behulp van de stelschroeven. Gebruik de toevoerhandgreep.

MONTEREN

DS250, DS250 Single speed, DS250 Single speed short

- Boor een gat voor de expansie- of ankerbout op een afstand van 300 mm vanuit het hart van het gat. De afstand van 300 mm is van toepassing op de snelbevestigingssteun met snelkoppeling voor een DM220. Met een gemonteerde kraag is de afstand 320 mm.



- Schroef de bodemplaat stevig vast. Controleer zorgvuldig of de bout goed vastzit.
- De bodemplaat kan waterpas worden gezet op de ondergrond met behulp van de stelschroeven. Gebruik de toevoerhandgreep.

Bevestigen met behulp van draadstang, sluitring en borgmoer

Als het montageoppervlak niet geschikt is voor het boren in plafonds of muren, kan de grondplaat worden vastgezet met een draadstang, die aan de achterzijde is gemonteerd met een ring en borgmoer.

Boormotor in elkaar zetten



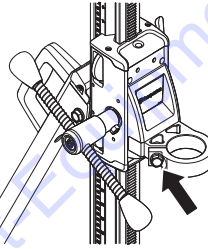
BELANGRIJK! Trek altijd de stekker uit het stopcontact voor het schoonmaken, onderhouden of monteren.

- Verwijder altijd de boorkop voordat u de motor monteert of demonteert.
- Vergrendel het toevoerhuis.

Kraageenheid

DS150

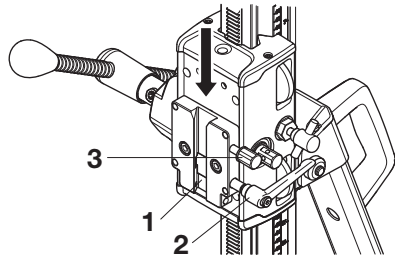
- Bevestig de boorspil aan de kraag. Gebruik de toevoerhandgreep.



Snelbevestigingssteun

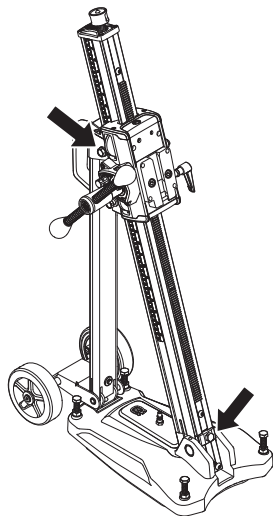
DS250, DS250 Single speed, DS250 Single speed short

- Monteer de snelbevestiging voor de boormotor in het spoor op de borgklem. Zorg ervoor dat de snelkoppeling helemaal tot aan de onderkant (1) van de rail op de borgklem is geduwd.
- Borg het geheel met de borghandgreep (2).



Gebruik de bovenste borgschroef (3) uitsluitend samen met DMS 240.

De kolomschuinstelling aanpassen



Draai de borgschroeven voor de kolomschuinstelling los en stel de gewenste boorhoek in. Draai de borgschroeven vast. Gebruik de toevoerhandgreep. De kolom kan in een hoek van 0-60° worden gezet.

De hoekindicatie kan worden gebruikt om de gewenste hoek bij benadering in te stellen. Wanneer een hogere nauwkeurigheid is vereist, moeten alternatieve meetmethodes worden gebruikt.

Boren in plafonds



WAARSCHUWING! Gebruik een wateropvangbak om te voorkomen dat er water de machine binnendringt. De machine moet afgedekt worden met plastic of iets dergelijk om te voorkomen dat er water de machine binnendringt, maar dek de luchtinlaat en -uitlaat niet af.

ONDERHOUD

Onderhoud van statief



WAARSCHUWING! Controle en/of onderhoud dient te worden uitgevoerd met uitgeschakelde motor en de stekker uit het stopcontact.

De levensduur van uw machine wordt aanzienlijk verlengd, wanneer de machine op de juiste manier wordt gebruikt, verzorgd en onderhouden.

Schoonmaken en smeren



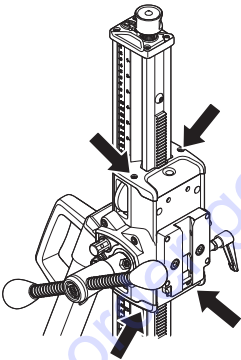
BELANGRIJK! Verwijder de boormotor.

- Het is belangrijk dat het boorstatief schoon blijft om de werking in stand te houden.
- U maakt het statief schoon met een hogedrukreiniger, waarna u het afdroogt.
- Smeer de bewegende delen van het statief. Gebruik smeervet om corrosie op de aanligvlakken tegen te gaan.

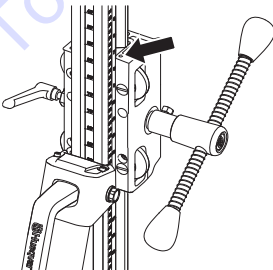
Het toevoerhuis instellen

Als er speling bestaat tussen de boorkolom en het toevoerhuis, moet deze worden bijgesteld.

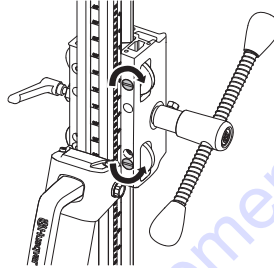
- Verwijder de kunststof sledeafdekking aan boven- en onderzijde.



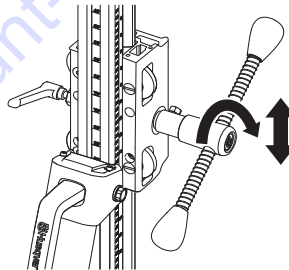
- Draai de stelschroeven van de geleiderolassen los.



- Begin met de bovenste geleiderol. Gebruik een platte schroevendraaier en draai deze rechtsom om de roller dichter bij de kolom te zetten.
- Draai de stelschroeven aan om de geleiderol te vergrendelen.
- Pas de onderste rol aan door deze linksom te schroeven om hem dichter bij de kolom te zetten.



- Draai de stelschroeven aan om de geleiderol te vergrendelen.
- Gebruik de toevoerhandgreep om te controleren of het toevoerhuis soepel langs de kolom beweegt. Als dit niet het geval is, moeten de geleiderollen opnieuw worden afgesteld.



- Bevestig de kunststof sledeafdekking aan boven- en onderzijde.

Reparaties



BELANGRIJK! Alle soorten reparaties mogen alleen worden uitgevoerd door erkende reparateurs. Dit om de operators niet aan grote risico's bloot te stellen.

Dagelijks onderhoud

- 1 Controleer of de bouten en moeren en vastgedraaid zijn.
- 2 Maak de machine uitwendig schoon.
- 3 Controleer of de toevoerkrak kan worden bewogen zonder weerstand te ondervinden.
- 4 Controleer of de transmissie stil en soepel verloopt.
- 5 Controleer op eventuele slijtage of beschadigingen op de kolom.
- 6 Controleer of het toevoerhuis gemakkelijk kan bewegen en niet terugveert tegen de boorkolom aan.

TECHNISCHE GEGEVENS

Afmetingen	DS150	DS250	DS250 Single speed	DS250 Single speed short
Hoogte, mm/duim	862/33,9	1052/41,4	1052/41,4	862/33,9
Breedte, mm/duim	266/10,5	266/10,5	266/10,5	266/10,5
Diepte, mm/inch	522/20,6	545/21,5	545/21,5	545/21,5
Gewicht, kg/lb	14/30,9	17/37,5	16/35,3	15/38
Slaglengte, mm/duim	495/19,5	686/27	686/27	495/19,5
Max. boordiameter, mm/duim	150/6	250/10	150/6 (kraag) 250/10 (snelbevestiging)	250/10
Hoekbeweging kolom	0-60°	0-60°	0-60°	0-60°
Maximale belasting, kg/lb	50/110	50/110	50/110	50/110

EG-verklaring van overeenstemming

(Alleen geldig voor Europa)

Husqvarna AB, SE-561 82 Huskvarna, Sweden, tel +46-36-146500, verklaart hiermee dat de boorstatieven **Husqvarna DS150, DS250, DS250 Single speed en DS250 Single speed short**, geproduceerd vanaf 2014 en verder (bouwjaar aangegeven op het typeplaatje, gevolgd door een serienummer), in overeenstemming zijn met de voorschriften in de RICHTLIJNEN VAN DE RAAD:

- van 17 mei 2006 "betreffende machines" **2006/42/EG**.

De volgende normen zijn van toepassing:

SS-EN12348+A1:2009

Göteborg 13 januari 2014



GB - Original instructions, DE - Originalanweisungen
FR - Instructions d'origine, NL - Originele instructies
1156697-20



2014-12-08

TO PURCHASE THIS PRODUCT PLEASE CONTACT US



**Equipment Financing and
Extended Warranties Available**



**Discount-Equipment.com is your online resource for
commercial and industrial quality parts and equipment sales.**

561-964-4949

visit us on line @ www.discount-equipment.com

Select an option below to find your Equipment

Search by Manufacturer

Search by Product Type

Request a Quote

We sell worldwide for the brands: Genie, Terex, JLG, MultiQuip, Mikasa, Essick, Whiteman, Mayco, Toro Stone, Diamond Products, Generac Magnum, Airman, Haulotte, Barreto, Power Blanket, Nifty Lift, Atlas Copco, Chicago Pneumatic, Allmand, Miller Curber, Skyjack, Lull, Skytrak, Tsurumi, Husquvarna Target, Stow, Wacker, Sakai, Mi-T-M, Sullair, Basic, Dynapac, MBW, Weber, Bartell, Bennar Newman, Haulotte, Ditch Runner, Menegotti, Morrison, Contec, Buddy, Crown, Edco, Wyco, Bomag, Laymor, EZ Trench, Bil-Jax, F.S. Curtis, Gehl Pavers, Heli, Honda, ICS/PowerGrit, IHI, Partner, Imer, Clipper, MMD, Koshin, Rice, CH&E, General Equipment, Amida, Coleman, NAC, Gradall, Square Shooter, Kent, Stanley, Tamco, Toku, Hatz, Kohler, Robin, Wisconsin, Northrock, Oztec, Toker TK, Rol-Air, APT, Wylie, Ingersoll Rand / Doosan, Innovatech, Con X, Ammann, Mecalac, Makinex, Smith Surface Prep, Small Line, Wanco, Yanmar