



# SPARE PARTS LIST

DRILLING EQUIPMENT

DM230, 2015-07

Go to [Discount-Equipment.com](http://Discount-Equipment.com) to order your parts



# PARTS FINDER

**Search Website  
by Part Number**



**Search Manual  
Library For Parts  
Manual & Lookup Part  
Numbers – Purchase  
or Request Quote**

**Search Manuals**

Enter your information to help us find the right parts manual for your machine.

\* Brand:

\* Model:

\* Serial:

\* Part Number:

SEARCH

**Can't Find Part or  
Manual? Request Help  
by Manufacturer,  
Model & Description**

**Parts Order Form**

Please fill in the following information to help us find the right part for your machine.

Manufacturer:	<input type="text"/>
Model:	<input type="text"/>
Description:	<input type="text"/>
Part Number:	<input type="text"/>
Quantity:	<input type="text"/>
Notes:	<input type="text"/>

Submit

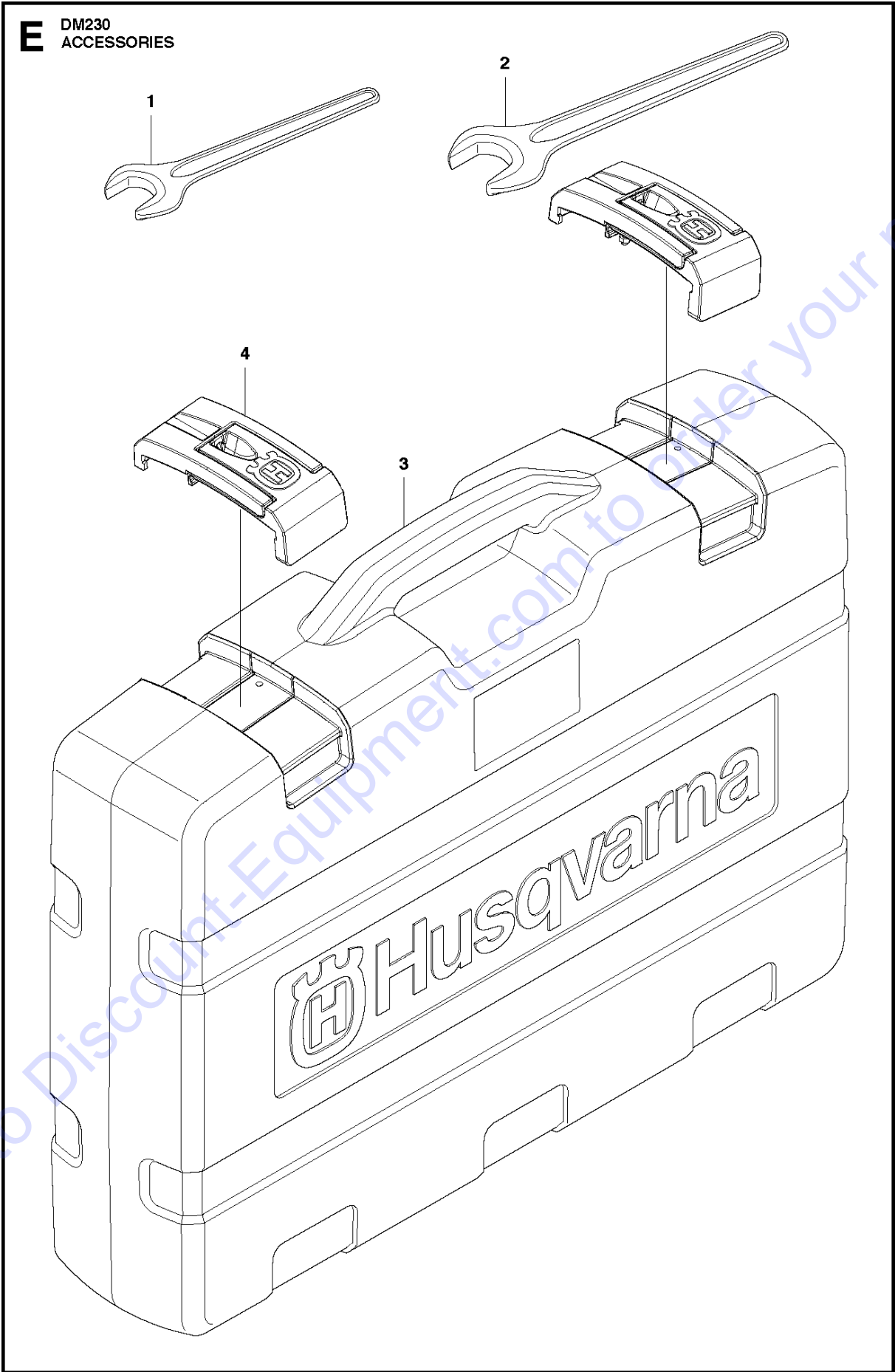
Discount-Equipment.com is your online resource for quality parts & equipment.

Florida: **561-964-4949** Outside Florida TOLL FREE: **877-690-3101**

**Need parts?**

Click on this link: <http://www.discount-equipment.com/category/5443-parts/> and choose one of the options to help get the right parts and equipment you are looking for. Please have the machine model and serial number available in order to help us get you the correct parts. If you don't find the part on the website or on one of the online manuals, please fill out the request form and one of our experienced staff members will get back to you with a quote for the right part that your machine needs.

We sell worldwide for the brands: Genie, Terex, JLG, MultiQuip, Mikasa, Essick, Whiteman, Mayco, Toro Stone, Diamond Products, Generac Magnum, Airman, Haulotte, Barreto, Power Blanket, Nifty Lift, Atlas Copco, Chicago Pneumatic, Allmand, Miller Curber, Skyjack, Lull, Skytrak, Tsurumi, Husquvarna Target, Stow, Wacker, Sakai, Mi-T-M, Sullair, Basic, Dynapac, MBW, Weber, Bartell, Bennar Newman, Haulotte, Ditch Runner, Menegotti, Morrison, Contec, Buddy, Crown, Edco, Wyco, Bomag, Laymor, EZ Trench, Bil-Jax, F.S. Curtis, Gehl Pavers, Heli, Honda, ICS/PowerGrit, IHI, Partner, Imer, Clipper, MMD, Koshin, Rice, CH&E, General Equipment, Amida, Coleman, NAC, Gradall, Square Shooter, Kent, Stanley, Tamco, Toku, Hatz, Kohler, Robin, Wisconsin, Northrock, Oztec, Toker TK, Rol-Air, APT, Wylie, Ingersoll Rand / Doosan, Innovatech, Con X, Ammann, Mecalac, Makinex, Smith Surface Prep, Small Line, Wanco, Yanmar



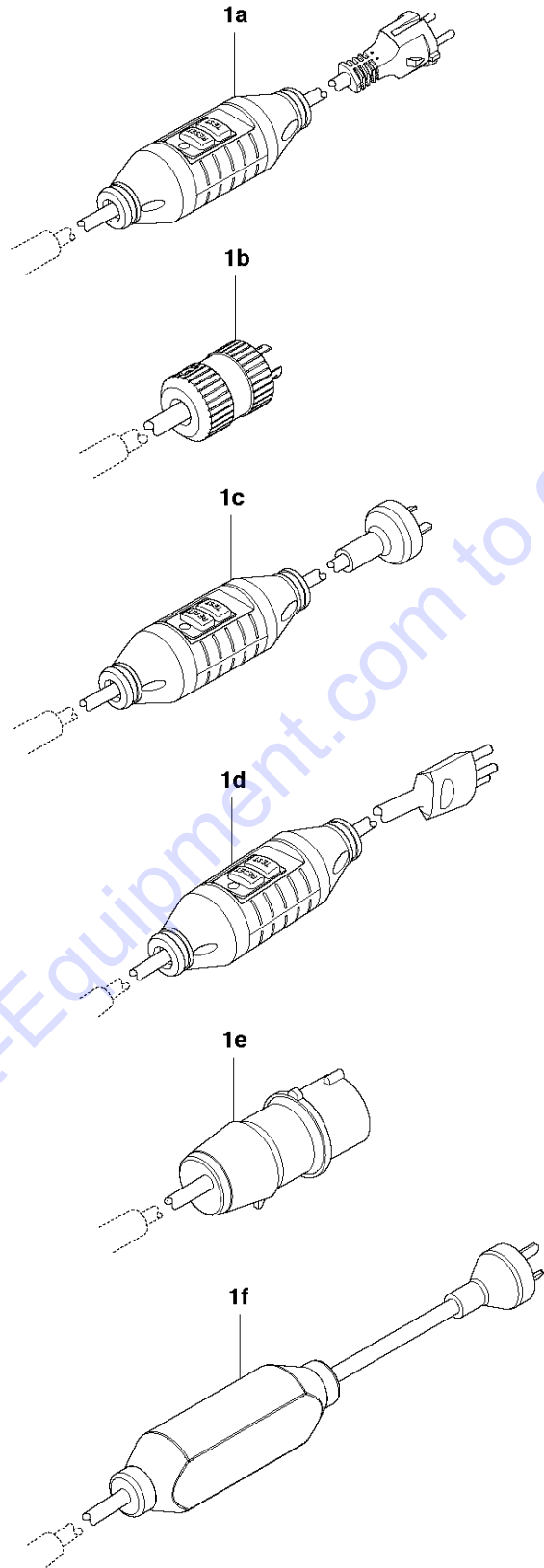
## ACCESSORIES

DM230, 2015-07

Ref	Part No	Description	Remark	QTY KIT
1	531 14 09-51	KEY	24 mm	1
2	531 14 09-52	KEY	32 mm	1
3	502 29 45-02	CARRYING CASE		1
4	586 46 65-01	KIT		2

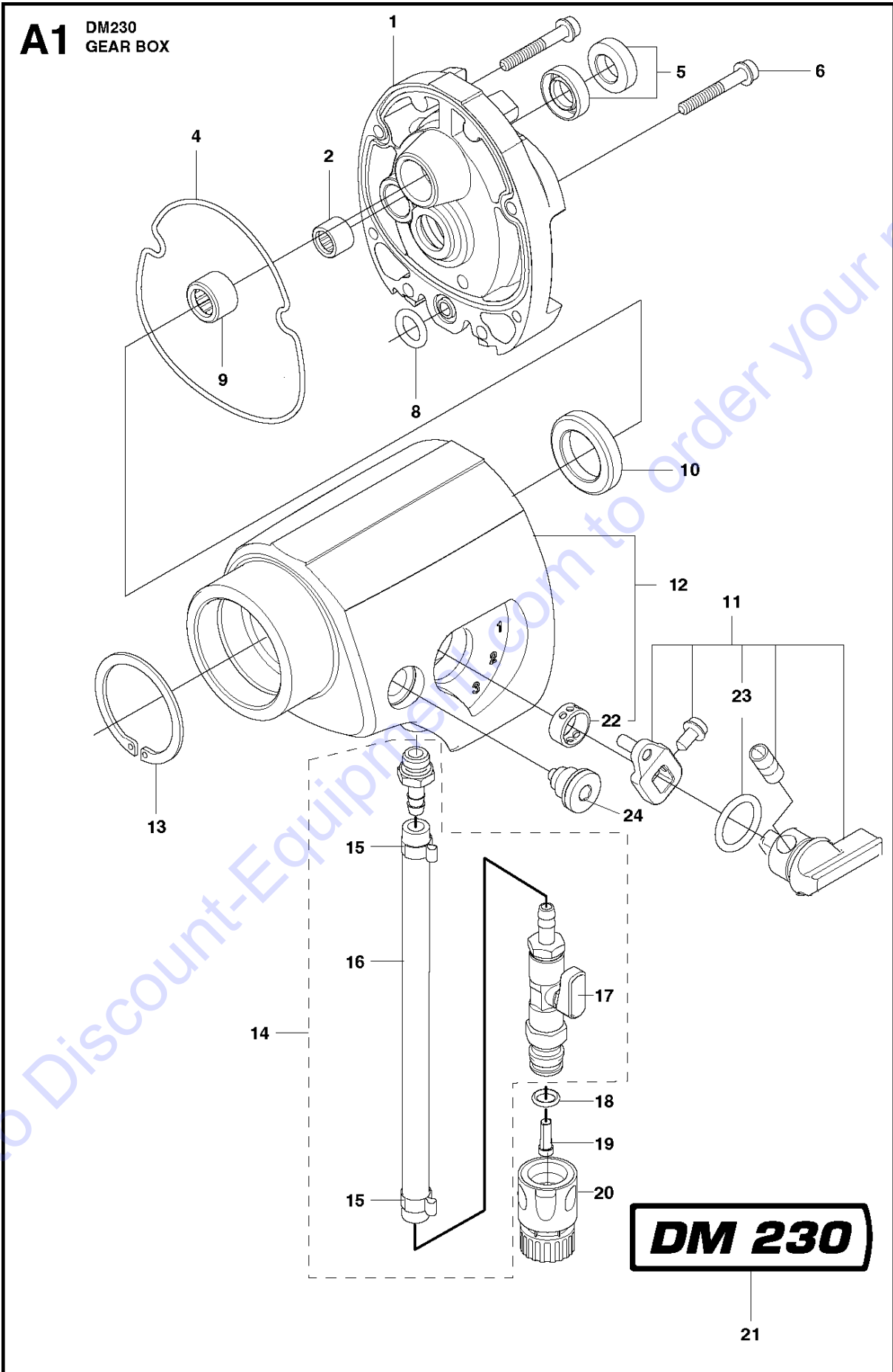
Go to [Discount-Equipment.com](http://Discount-Equipment.com) to order your parts

**C3** DM230  
POWER CABLE



Ref	Part No	Description	Remark	QTY KIT
1a	505 44 33-01	CABLE	230V, EU	1
1b	510 18 13-01	CABLE	120V, US	1
1c	521 90 72-01	CABLE	230V, AUS	1
1d	521 90 74-01	CABLE	230V, CH	1
1e	521 91 90-01	CABLE	230V, UK	1
1f	579 47 13-01	CABLE	230V, CHINA	1

Go to [Discount-Equipment.com](http://Discount-Equipment.com) to order your parts



## GEAR BOX

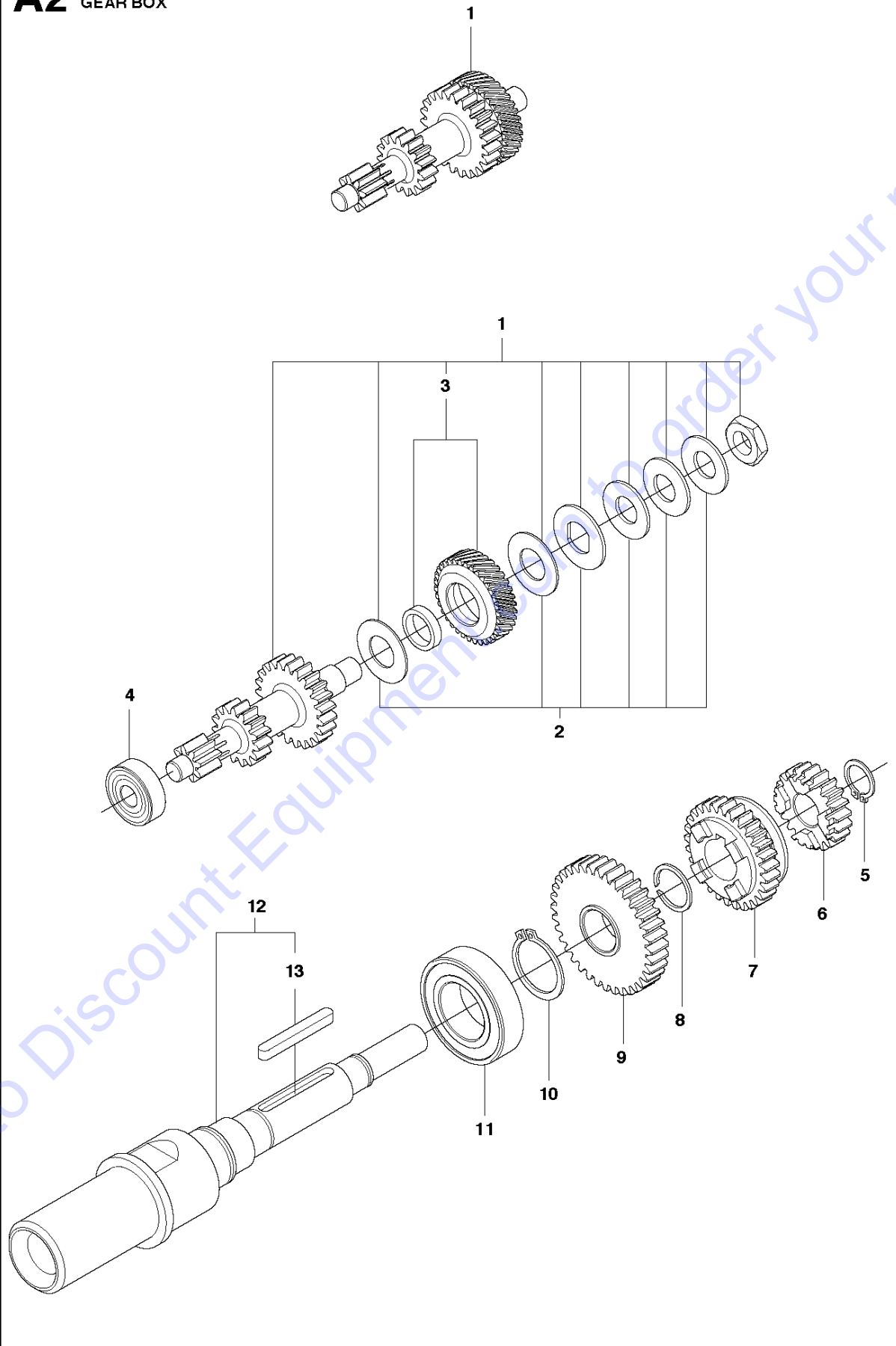
DM230, 2015-07

Ref	Part No	Description	Remark	QTY	KIT
1	586 79 60-01	COVER		1	
2	503 25 42-01	NEEDLE BEARING		1	
4	503 26 30-30	O-RING		1	
4	586 81 21-01	SEALING	Valid from machine serial number 20152200001	1	
5	586 06 81-01	SEALING		2	
6	503 20 74-40	SCREW IHSCFM		2	
8	586 91 18-01	SEALING		1	
9	503 25 53-01	NEEDLE BEARING		1	
10	575 55 79-01	RADIAL SEAL		1	
11	525 40 14-01	GEARSHIFT LEVER		1	
12	588 61 31-01	GEAR HOUSING		1	
13	735 31 40-10	CIRCLIP		1	
14	501 07 22-01	HOSE ASSY		1	
15	576 12 97-01	HOSE CLAMP		2	14
16	581 89 36-01	HOSE		1	14
17	587 43 78-02	VALVE ASSY		1	14
18	505 10 35-01	O-RING		1	14
19	506 29 88-01	FILTER		1	14
20	503 26 60-03	COUPLER	USA/CANADA	1	
20	503 26 60-04	COUPLER		1	
21	502 63 54-01	LABEL		1	
22	544 13 00-01	INSERT		1	
23	502 49 65-05	O-RING		1	
24	525 48 10-01	OIL PLUG		1	

Go to Discount-Equipment.com to order your parts



**A2** DM230  
GEAR BOX



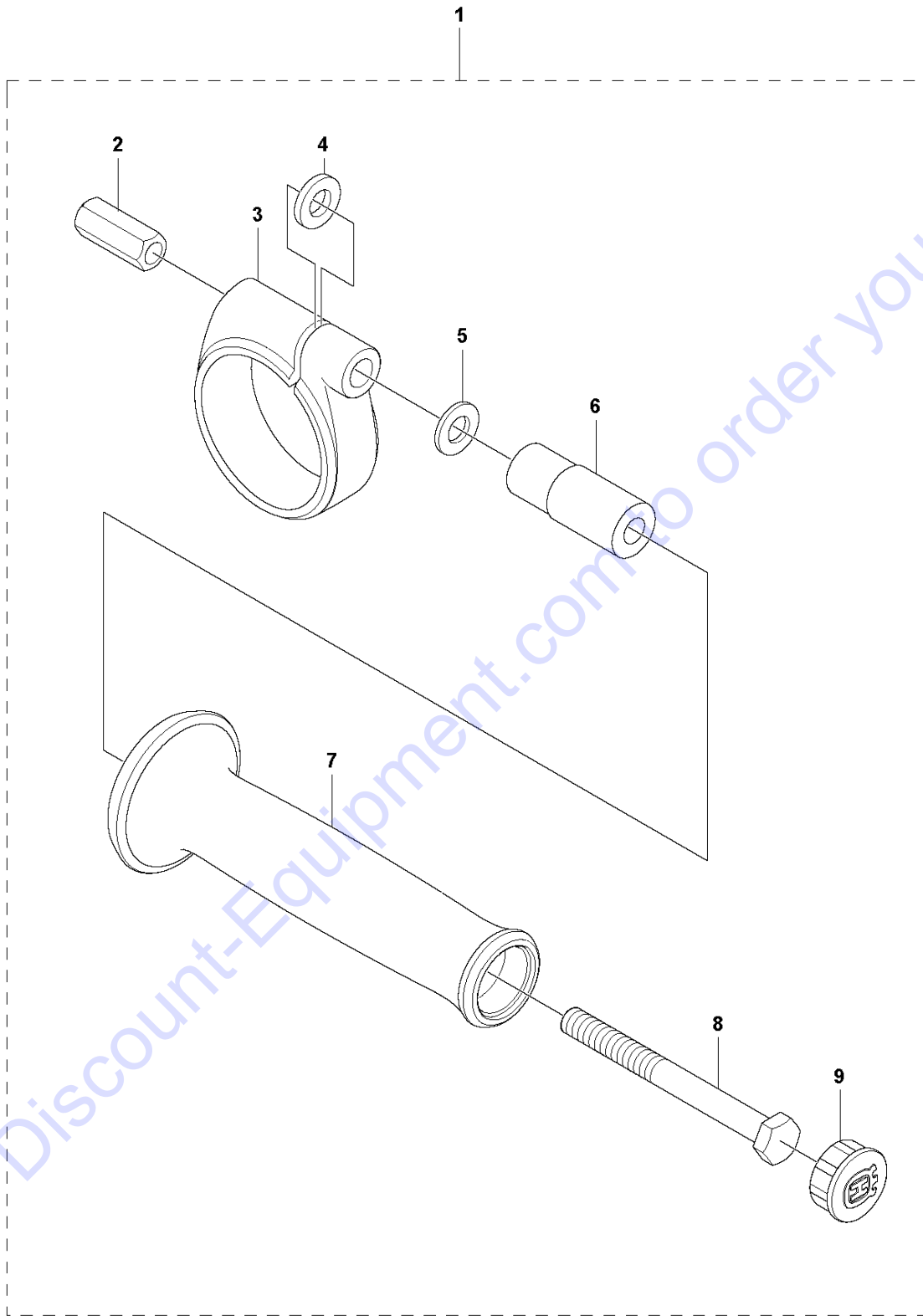
## GEAR BOX

DM230, 2015-07

Ref	Part No	Description	Remark	QTY	KIT
1	587 36 69-01	COUPLING		1	
2	587 36 25-01	CLUTCH ASSY		1	
3	504 57 11-02	GEAR WHEEL ASSY		1	1
4	738 22 99-27	BALL BEARING		1	
5	735 31 16-00	CIRCLIP		1	
6	544 12 44-01	GEAR WHEEL		1	
7	544 12 46-01	GEAR WHEEL		1	
8	735 31 20-40	RETAINER RING		1	
9	544 12 48-01	GEAR WHEEL		1	
10	735 31 26-00	CIRCLIP		1	
11	738 21 05-14	BALL BEARING		1	
12	525 40 21-01	SPINDLE SHAFT	"1/2"'''	1	
12	525 40 22-01	SPINDLE SHAFT	"5/8"'''	1	
13	544 38 16-01	KEY		1	

Go to Discount-Equipment.com to order your parts

**D** DM230  
FRONT HANDLE

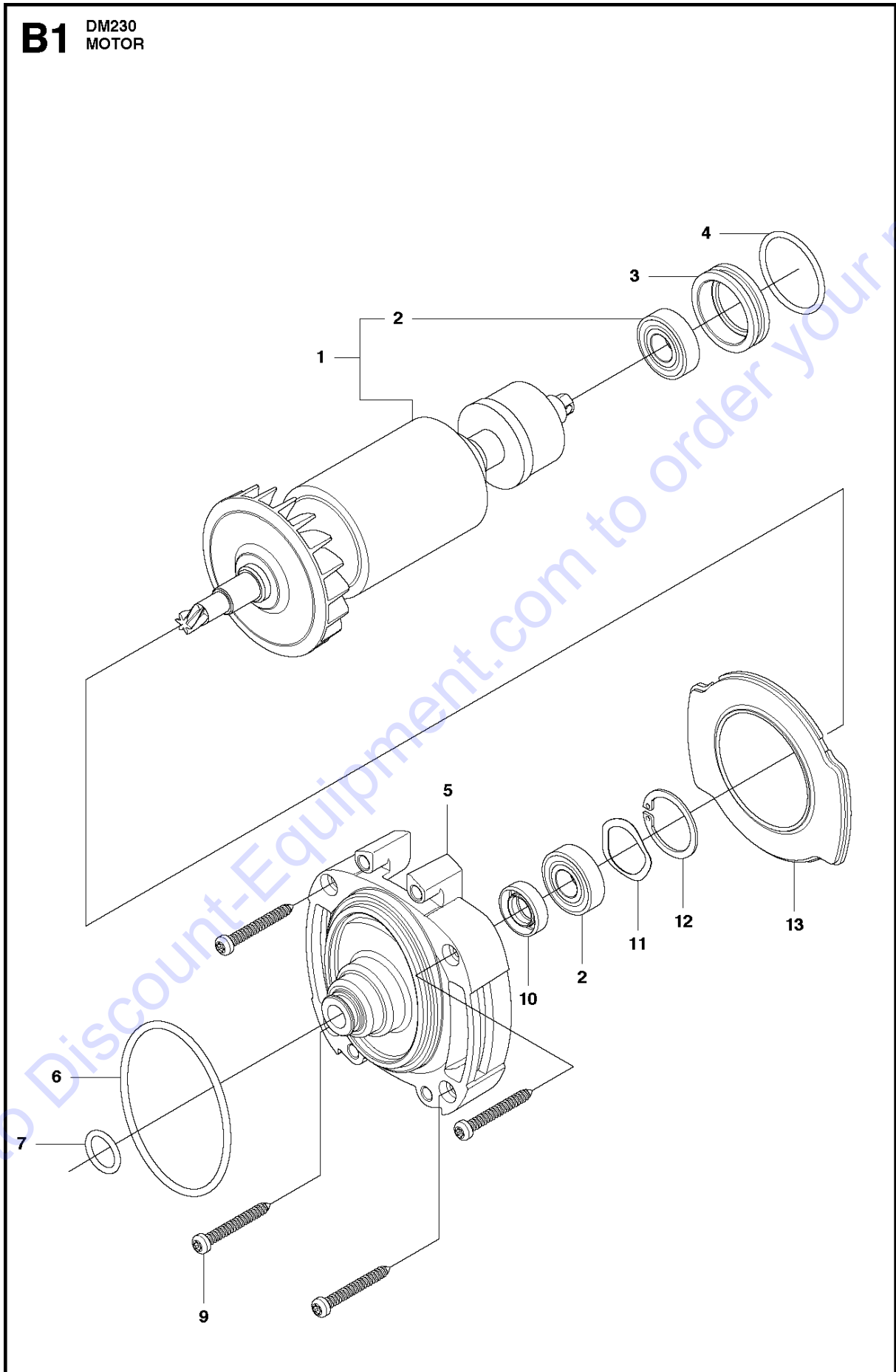


Go to Discount-Equipment.com to order your parts

Ref	Part No	Description	Remark	QTY	KIT
1	590 86 97-01	HANDLE SUPPORT ASSY		1	
2	504 02 34-01	NUT		1	1
3	582 06 26-01	CLAMPING SLEEVE		1	1
4	504 02 77-01	WASHER		1	1
5	734 11 72-01	WASHER		1	1
6	588 92 64-02	SPACER		1	1
7	574 16 94-01	HANDLE		1	1
8	725 25 11-51	SCREW EHHM		1	1
9	574 39 84-01	LID		1	

Go to [Discount-Equipment.com](http://Discount-Equipment.com) to order your parts

**B1** DM230  
MOTOR



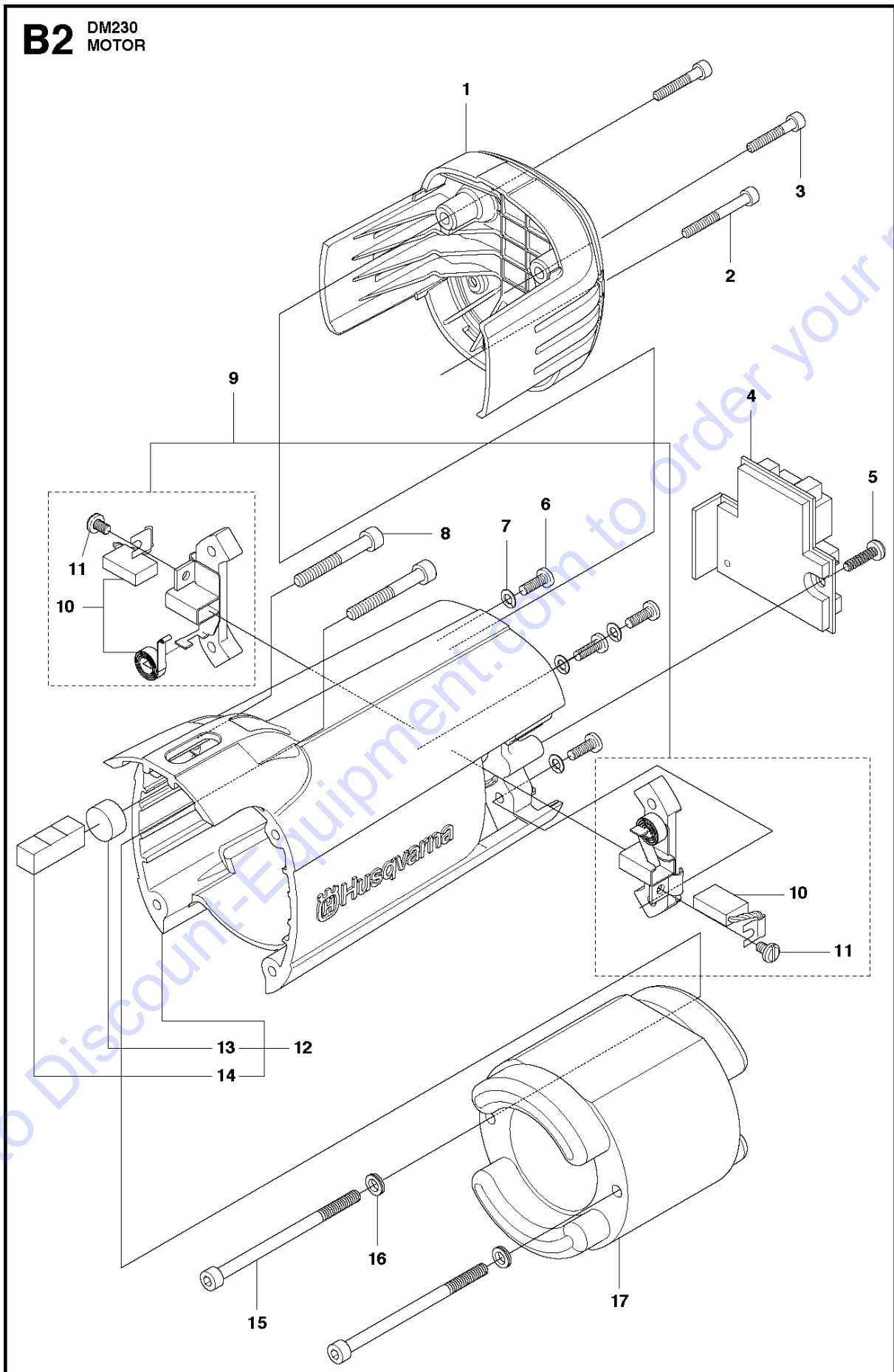
## MOTOR

DM230, 2015-07

Ref	Part No	Description	Remark	QTY	KIT
1	505 57 65-01	ROTOR	120V	1	
1	505 57 66-01	ROTOR	230V	1	
2	575 98 49-01	BALL BEARING		2	1
3	544 12 30-01	BEARING SUPPORT		1	
4	503 26 30-03	O-RING		1	
5	586 79 62-01	COVER		1	
6	503 26 30-29	O-RING		1	
7	586 91 21-01	SEALING		1	
9	525 47 63-02	SCREW ITPANT		4	
10	501 00 83-01	SEALING		1	
11	501 00 84-01	SPRING WASHER		1	
12	735 31 28-10	CIRCLIP		1	
13	586 91 91-01	AIR CONDUCTOR		1	

Go to [Discount-Equipment.com](http://Discount-Equipment.com) to order your parts

**B2** DM230  
MOTOR



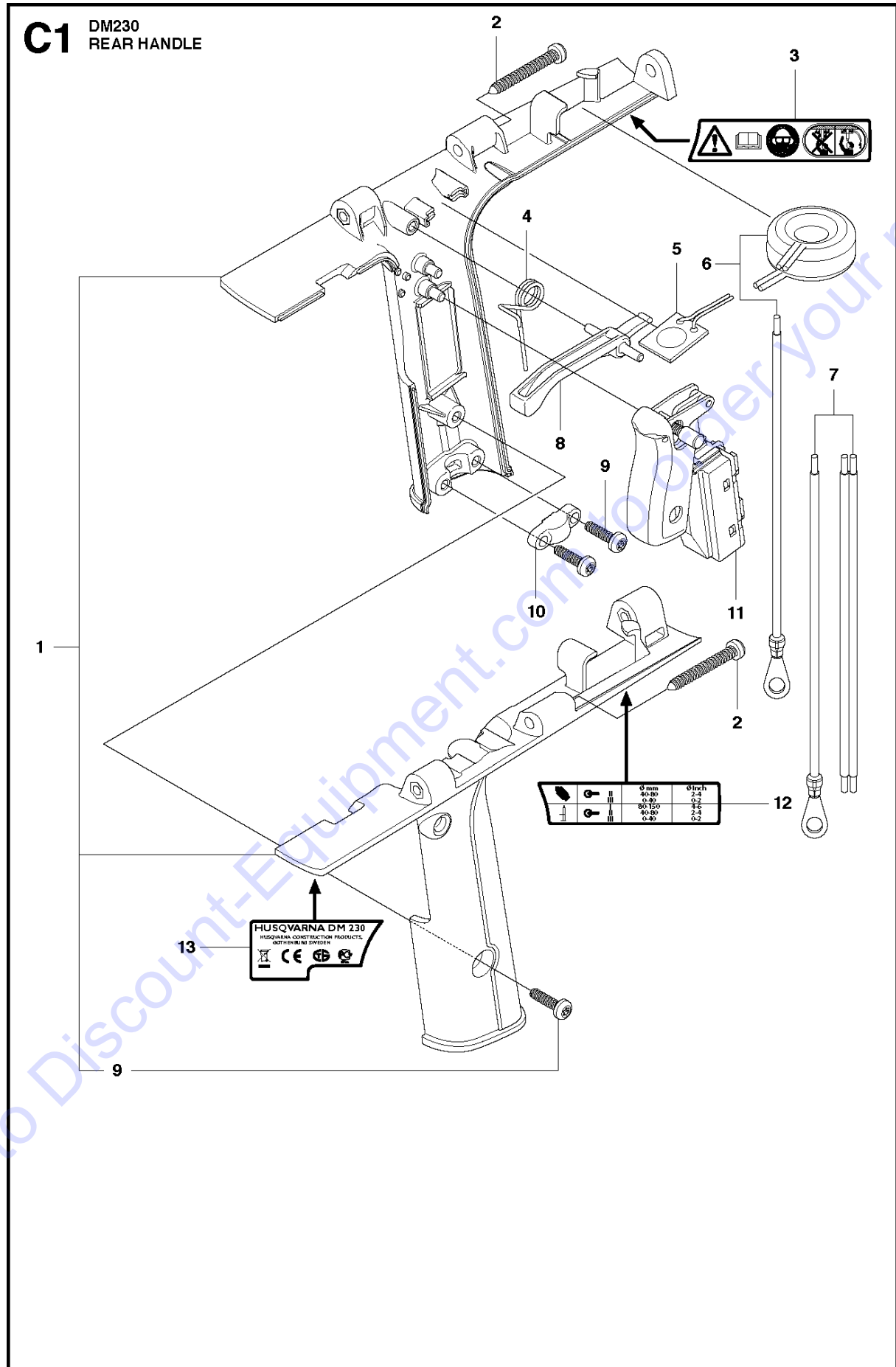
## MOTOR

DM230, 2015-07

Ref	Part No	Description	Remark	QTY	KIT
1	588 58 60-01	REAR COVER		1	
2	725 53 37-55	SCREW IHSCM		1	
3	503 20 07-78	SCREW IHSCFM		2	
4	544 12 34-02	PRINTED CIRCUIT ASSY	120V	1	
4	544 12 34-01	PRINTED CIRCUIT ASSY	230V	1	
5	525 47 63-01	SCREW ITXPANT		1	
6	724 12 91-01	SCREW CRPANM		4	
7	735 11 36-50	SPRING WASHER		4	
8	725 53 39-55	SCREW IHSCM		2	
9	581 05 86-01	BRUSH HOLDER		2	
10	581 08 69-01	BRUSH KIT	Contains two brushes and two springs	2	
11	724 12 87-01	SCREW CRPANM		2	
12	505 57 63-01	MOTOR HOUSING		1	
13	544 23 13-01	LEVEL		1	13
14	544 23 12-01	LEVEL		1	13
15	725 53 47-55	SCREW IHSCM		2	
16	503 23 04-02	WASHER		2	
17	587 23 12-01	STATOR	120V	1	
17	587 23 12-02	STATOR	230V	1	

Go to Discount-Equipment.com to order your parts





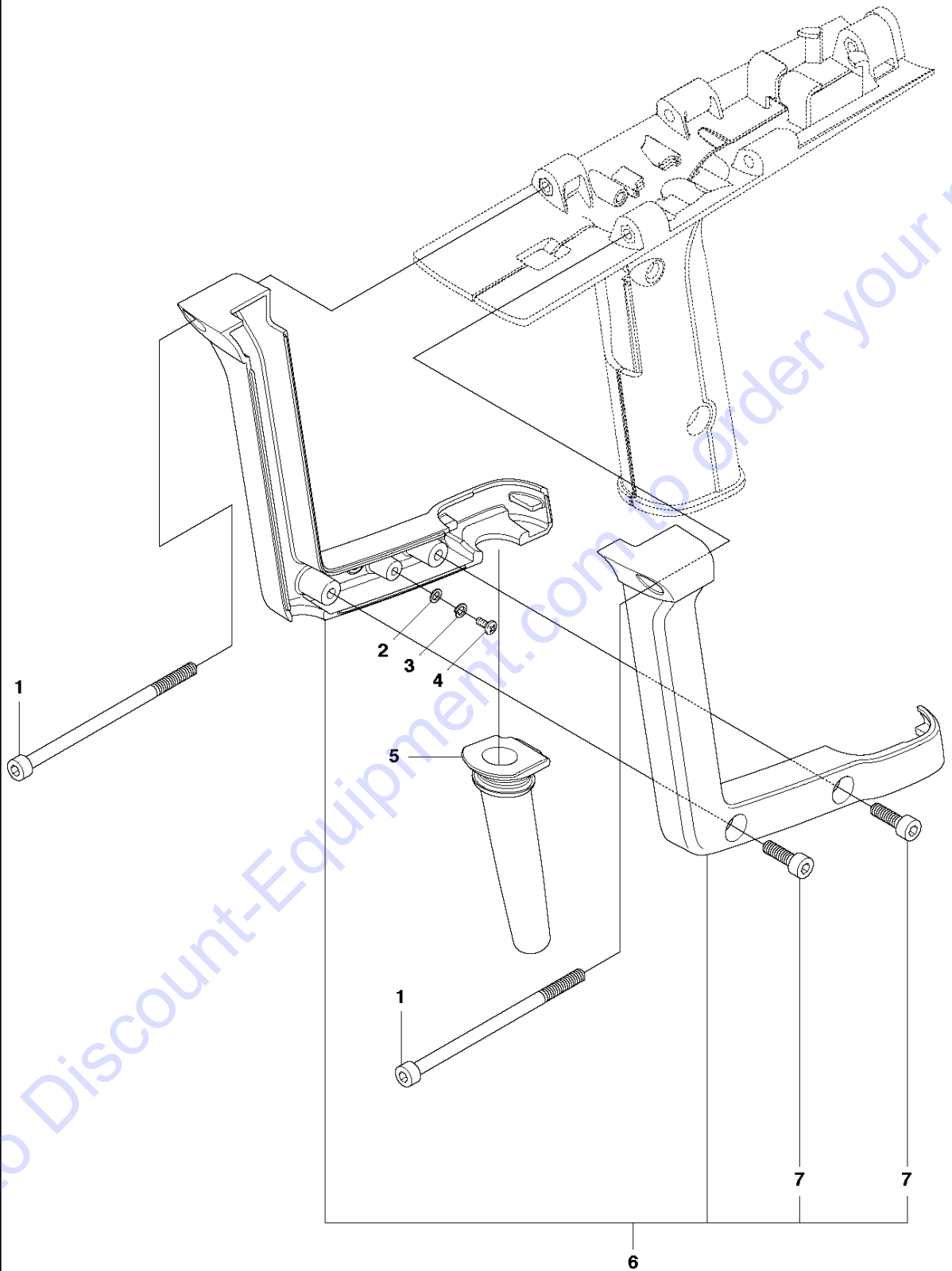
## REAR HANDLE

DM230, 2015-07

Ref	Part No	Description	Remark	QTY	KIT
1	505 44 11-01	HANDLE ASSY		1	
2	525 47 63-02	SCREW ITPANT		2	
3	502 63 53-02	LABEL		1	
4	544 12 56-01	SPRING		1	
5	544 13 14-01	BUTTON		1	
6	504 57 13-02	JOINTING CABLE	230V	1	
7	504 57 13-01	CABLE	110V	1	
8	544 13 12-01	LEVER		1	
9	525 47 63-01	SCREW ITPANT		3	1
10	544 12 32-01	CABLE CLAMP		1	
11	544 12 95-01	TRIGGER		1	
12	502 63 50-01	LABEL		1	
13	502 63 49-03	LABEL		1	
13	502 63 49-04	LABEL	CHINA	1	
13	502 63 49-05	LABEL	US	1	

Go to Discount-Equipment.com to order your parts

**C2** DM230  
REAR HANDLE



## REAR HANDLE

DM230, 2015-07

Ref	Part No	Description	Remark	QTY	KIT
1	725 53 49-55	SCREW IHSCM		2	
2	734 11 36-01	WASHER		1	
3	735 21 36-01	LOCKWASHER		1	
4	724 12 87-01	SCREW CRPANM		1	
5	577 41 18-01	CABLE SLEEVE		1	
6	505 44 13-01	HAND GUARD ASSY		1	
7	503 20 07-74	SCREW IHSCFM		2	6

Go to [Discount-Equipment.com](http://Discount-Equipment.com) to order your parts

# PARTS FINDER

**Search Website  
by Part Number**



**Search Manual  
Library For Parts  
Manual & Lookup Part  
Numbers – Purchase  
or Request Quote**

**Search Manuals**

Enter your information to search for a manual or parts manual for your equipment.

\* Brand:

\* Model:

\* Serial:

\* Part Number:

SEARCH

**Can't Find Part or  
Manual? Request Help  
by Manufacturer,  
Model & Description**

**Parts Order Form**

Please fill in the following information to request help finding a part or manual.

Manufacturer:

Model:

Description:

Part Number:

Quantity:

Price:

Requester Name:

Requester Title:

Company Name:

Address:

City:

State:

Zip:

Phone:

Fax:

E-mail:

Submit

Discount-Equipment.com is your online resource for quality parts & equipment.

Florida: **561-964-4949** Outside Florida TOLL FREE: **877-690-3101**

**Need parts?**

Click on this link: <http://www.discount-equipment.com/category/5443-parts/> and choose one of the options to help get the right parts and equipment you are looking for. Please have the machine model and serial number available in order to help us get you the correct parts. If you don't find the part on the website or on one of the online manuals, please fill out the request form and one of our experienced staff members will get back to you with a quote for the right part that your machine needs.

We sell worldwide for the brands: Genie, Terex, JLG, MultiQuip, Mikasa, Essick, Whiteman, Mayco, Toro Stone, Diamond Products, Generac Magnum, Airman, Haulotte, Barreto, Power Blanket, Nifty Lift, Atlas Copco, Chicago Pneumatic, Allmand, Miller Curber, Skyjack, Lull, Skytrak, Tsurumi, Husquvarna Target, Stow, Wacker, Sakai, Mi-T-M, Sullair, Basic, Dynapac, MBW, Weber, Bartell, Bennar Newman, Haulotte, Ditch Runner, Menegotti, Morrison, Contec, Buddy, Crown, Edco, Wyco, Bomag, Laymor, EZ Trench, Bil-Jax, F.S. Curtis, Gehl Pavers, Heli, Honda, ICS/PowerGrit, IHI, Partner, Imer, Clipper, MMD, Koshin, Rice, CH&E, General Equipment, Amida, Coleman, NAC, Gradall, Square Shooter, Kent, Stanley, Tamco, Toku, Hatz, Kohler, Robin, Wisconsin, Northrock, Oztec, Toker TK, Rol-Air, APT, Wylie, Ingersoll Rand / Doosan, Innovatech, Con X, Ammann, Mecalac, Makinex, Smith Surface Prep, Small Line, Wanco, Yanmar