

DM 230

Reservdelar

Spare parts

Ersatzteile

Pieces de rechange

Piezas de repuesto

Ricambi

Peças sobresselente

PARTS FINDER

**Search Website
by Part Number**



**Search Manual
Library For Parts
Manual & Lookup Part
Numbers – Purchase
or Request Quote**

Search Manuals

Enter your information to search for a manual or parts manual for your equipment.

* Brand:

* Model:

* Serial:

* Part Number:

SEARCH

**Can't Find Part or
Manual? Request Help
by Manufacturer,
Model & Description**

Parts Order Form

Please fill in the following information to request help finding a part or manual.

Manufacturer:

Model:

Description:

Quantity:

Part Number:

Part Name:

Part Description:

Part Location:

Part Condition:

Part Status:

Part Color:

Part Material:

Part Weight:

Part Dimensions:

Part Price:

Part Availability:

Part Lead Time:

Part Notes:

Submit

Discount-Equipment.com is your online resource for quality parts & equipment.

Florida: **561-964-4949** Outside Florida TOLL FREE: **877-690-3101**

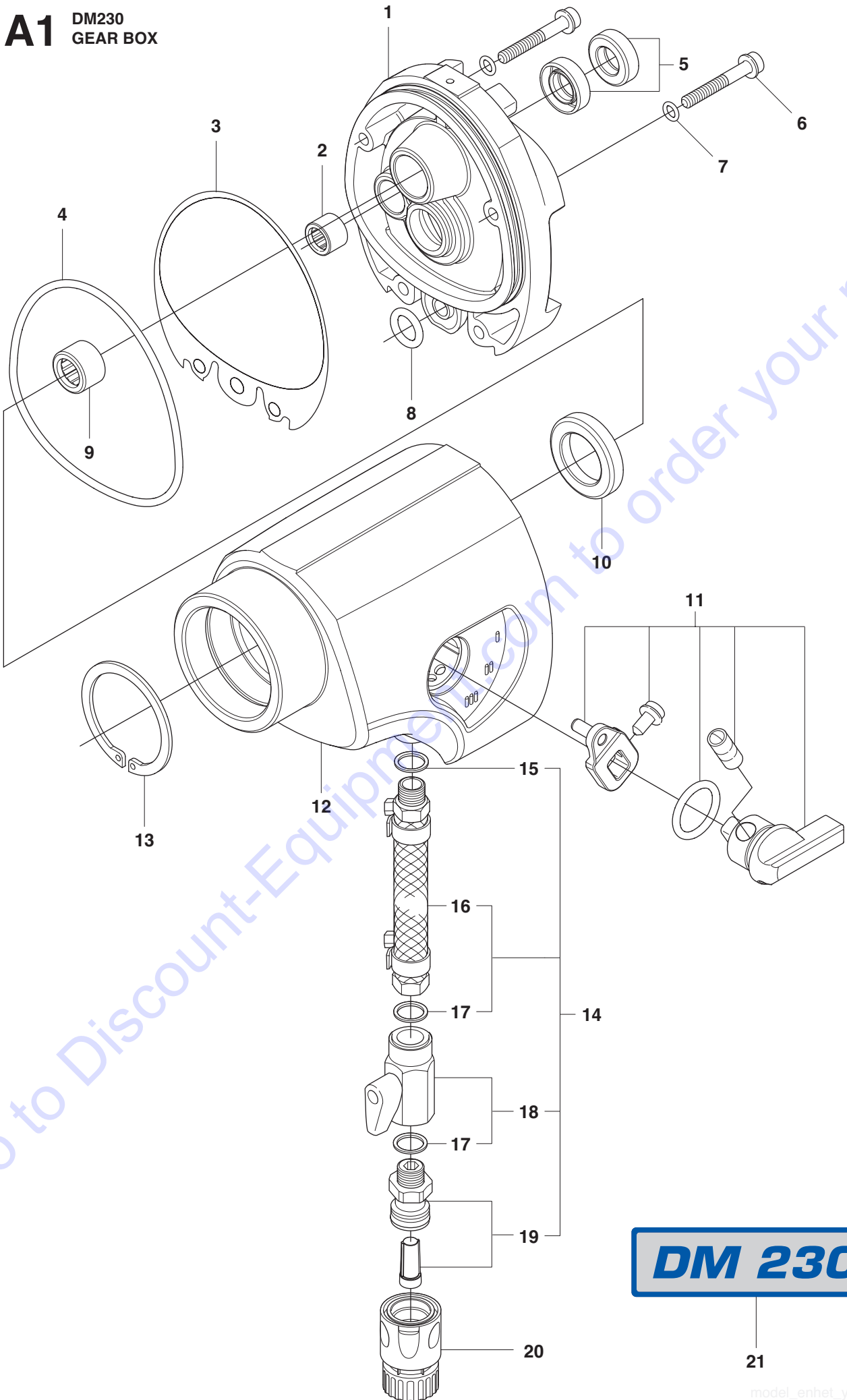
Need parts?

Click on this link: <http://www.discount-equipment.com/category/5443-parts/> and choose one of the options to help get the right parts and equipment you are looking for. Please have the machine model and serial number available in order to help us get you the correct parts. If you don't find the part on the website or on one of the online manuals, please fill out the request form and one of our experienced staff members will get back to you with a quote for the right part that your machine needs.

We sell worldwide for the brands: Genie, Terex, JLG, MultiQuip, Mikasa, Essick, Whiteman, Mayco, Toro Stone, Diamond Products, Generac Magnum, Airman, Haulotte, Barreto, Power Blanket, Nifty Lift, Atlas Copco, Chicago Pneumatic, Allmand, Miller Curber, Skyjack, Lull, Skytrak, Tsurumi, Husquvarna Target, Stow, Wacker, Sakai, Mi-T-M, Sullair, Basic, Dynapac, MBW, Weber, Bartell, Bennar Newman, Haulotte, Ditch Runner, Menegotti, Morrison, Contec, Buddy, Crown, Edco, Wyco, Bomag, Laymor, EZ Trench, Bil-Jax, F.S. Curtis, Gehl Pavers, Heli, Honda, ICS/PowerGrit, IHI, Partner, Imer, Clipper, MMD, Koshin, Rice, CH&E, General Equipment, Amida, Coleman, NAC, Gradall, Square Shooter, Kent, Stanley, Tamco, Toku, Hatz, Kohler, Robin, Wisconsin, Northrock, Oztec, Toker TK, Rol-Air, APT, Wylie, Ingersoll Rand / Doosan, Innovatech, Con X, Ammann, Mecalac, Makinex, Smith Surface Prep, Small Line, Wanco, Yanmar

No.	Pos.	Description	No.	Pos.	Description
501 00 83-01	B1	SEALING	544 12 48-01	A2	GEAR WHEEL
501 00 84-01	B1	SPRING WASHER	544 12 50-01	A1	COVER
501 00 85-01	B2	LOCK WASHER	544 12 55-01	B2	STATOR
502 29 45-01	E	CARRYING CASE	544 12 56-01	C1	SPRING
502 29 77-01	B2	STATOR	544 12 95-01	C1	TRIGGER
502 30 44-02	A1	HOSE KIT	544 13 12-01	C1	LEVER
502 63 49-01	C1	LABEL	544 13 14-01	C1	BUTTON
502 63 50-01	C1	LABEL	544 23 12-01	B2	LEVELL
502 63 53-01	C1	LABEL	544 23 13-01	B2	LEVELL
502 63 54-01	A1	LABEL	544 90 05-01	C2	CABLE SLEEVE
503 20 74-25	B2	SCREW	723 22 85-81	B2	SCREW
503 20 74-35	B2	SCREW	724 12 91-01	B2	SCREW
503 20 74-40	A1	SCREW	724 12 87-01	C2	SCREW
503 25 24-01	B1	BALL BEARING	725 25 18-51	D	SCREW
503 25 42-01	A1	NEEDLE BEARING	725 53 29-55	C2	SCREW
503 25 53-01	A1	NEEDLE BEARING	725 53 39-55	B2	SCREW
503 26 30-03	B1	O-RING	725 53 47-55	B2	SCREW
503 26 30-29	B1	O-RING	725 53 49-55	C2	SCREW
503 26 30-30	A1	O-RING	734 11 36-01	C2	WASHER
503 26 30-31	A1	O-RING	734 11 72-01	D	WASHER
503 26 60-02	A1	COUPLER	735 11 36-50	B2	SPRING WASHER
504 02 28-01	D	CLAMPING SLEEVE	735 11 46-50	B2	SPRING WASHER
504 02 34-01	D	NUT	735 21 36-01	C2	LOCK WASHER
504 02 77-01	D	WASHER RUBBER	735 31 16-00	A2	CIRCLIP
504 09 87-01	D	BRACKET ASSY	735 31 26-00	A2	RETAINING RING
504 57 11-02	A2	GEAR WHEEL ASSY	735 31 28-10	B1	CIRCLIP
504 57 13-01	C1	JOINTING CABLE	735 31 40-10	A1	CIRCLIP
504 57 13-02	C1	JOINTING CABLE	738 21 05-14	A2	BALL BEARING
504 57 15-01	D	FRONT HANDLE	738 22 99-27	A2	BALL BEARING
504 57 17-01	D	GRIP ASSY	740 42 03-00	A1	O-RING
505 41 22-01	A2	LOCK RING	740 43 11-00	B1	O-RING
505 44 11-01	C1	HANDLE ASSY	740 51 49-24	A1	RADIAL SEAL
505 44 13-01	C2	HAND ASSY GUARD			
505 44 32-01	C1	PLUG			
505 44 33-01	C1	CABLE ASSY			
505 52 02-17	C1	CABLE			
505 57 63-01	B2	MOTOR HOUSING ASSY			
505 57 65-01	B1	ROTOR ASSY BEARING			
505 57 66-01	B1	ROTOR ASSY BEARING			
510 02 89-01	C1	CABLE ASSY			
510 11 20-01	A1	NIPPLE KIT			
510 12 59-02	A1	HOSE ASSY			
510 18 04-01	A1	SEALING			
510 18 13-01	C1	CABLE ASSY			
510 19 59-01	A1	VALVE KIT			
510 44 09-01	B1	GASKET			
525 29 55-01	A2	KIT COMPLETE CLUTCH			
525 33 97-01	A1	ALUMINIUM GASKET			
525 40 14-01	A1	LEVER ASSY			
525 40 20-01	A2	KIT WEAR PARTS			
525 40 21-01	A2	SPINDLE AXLE			
525 40 22-01	A2	SPINDLE AXLE			
525 40 23-01	B2	REAR COVER			
525 45 44-01	A1	SEALING			
525 47 63-01	B2 C1	SCREW			
525 47 63-02	B1 C1	SCREW			
531 07 39-00	B2	CARBON BRUSH			
531 07 42-60	A1	FIBRE WASHER			
531 14 09-51	E	SPANNER 24			
531 14 09-52	E	SPANNER 32			
544 11 20-01	A1	GEAR HOUSING			
544 12 29-01	B1	AIR CONDUCTOR			
544 12 30-01	B1	BEARING SUPPORT			
544 12 32-01	C1	CABLE CLAMP			
544 12 34-01	B2	PRINTED CIRCUIT ASSY			
544 12 34-02	B2	PRINTED CIRCUIT ASSY			
544 12 35-01	B2	BRUSH HOLDER			
544 12 43-01	B1	COVER			
544 12 44-01	A2	GEAR WHEEL			
544 12 46-01	A2	GEAR WHEEL			

A1 DM230
GEAR BOX



DM 230

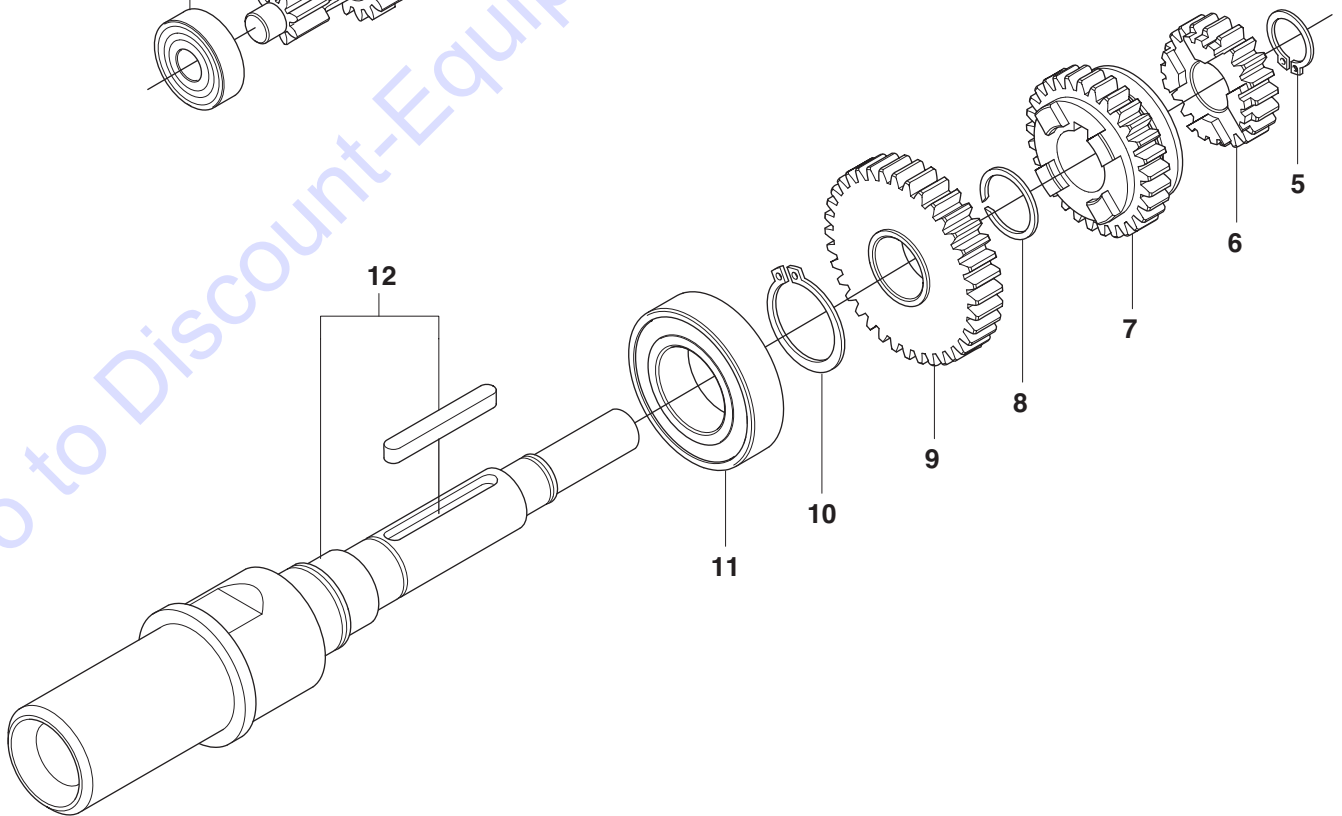
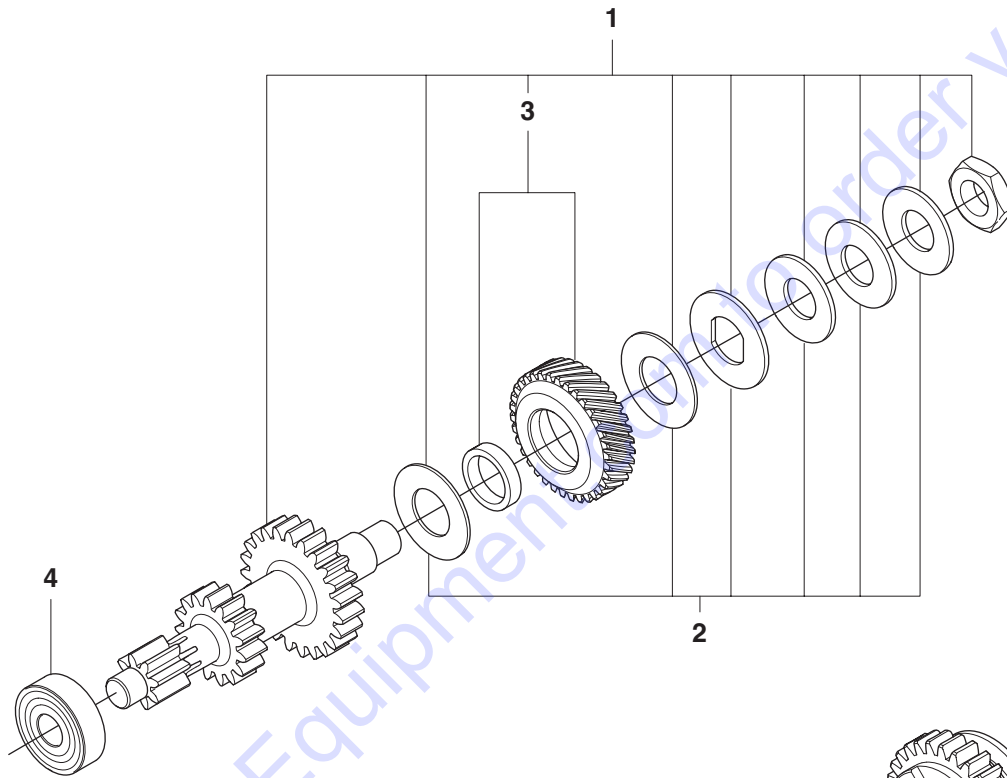
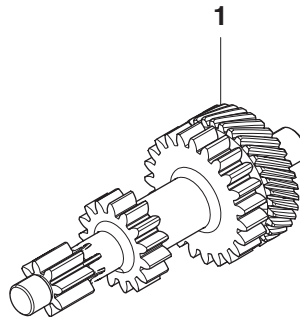
21

Page A1
DM230

Pos.	Part No.	Description	Quantity	Notes
1	544 12 50-01	COVER	1	
2	503 25 42-01	NEEDLE BEARING	1	
3	510 18 04-01	SEALING	1	
4	503 26 30-30	O-RING	1	
5	525 45 44-01	SEALING	2	
6	503 20 74-40	SCREW	2	
7	740 42 03-00	O-RING	2	
8	503 26 30-31	O-RING	1	
9	503 25 53-01	NEEDLE BEARING	1	
10	740 51 49-24	RADIAL SEAL	1	
11	525 40 14-01	LEVER ASSY	1	
12	544 11 20-01	GEAR HOUSING	1	
13	735 31 40-10	CIRCLIP	1	
14	502 30 44-02	HOSE KIT	1	
15	525 33 97-01	ALUMINIUM GASKET	1	14
16	510 12 59-02	HOSE ASSY	1	14
17	531 07 42-60	FIBRE WASHER	2	14, 18
18	510 19 59-01	VALVE KIT	1	14
19	510 11 20-01	NIPPLE KIT	1	14
20	503 26 60-02	COUPLER	1	
21	502 63 54-01	LABEL	1	

Go to Discount-Equipment.com to order your parts

A2 DM230
GEAR BOX

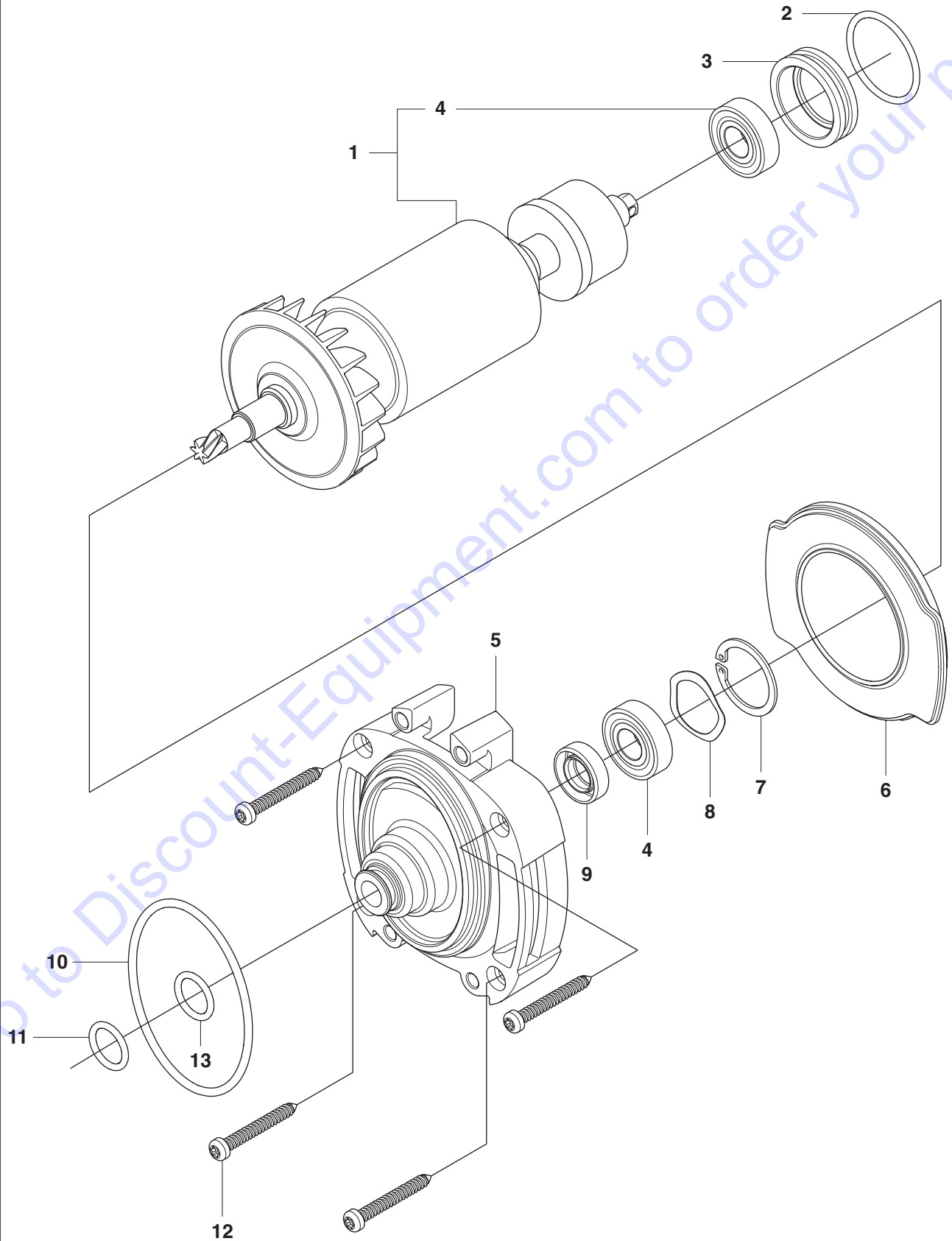


Page A2
DM230

Pos.	Part No.	Description	Quantity	Notes
1	525 29 55-01	KIT COMPLETE CLUTCH	1	
2	525 40 20-01	KIT WEAR PARTS	1	
3	504 57 11-02	GEAR WHEEL ASSY	1	1
4	738 22 99-27	BALL BEARING	1	
5	735 31 16-00	CIRCLIP	1	
6	544 12 44-01	GEAR WHEEL	1	
7	544 12 46-01	GEAR WHEEL	1	
8	505 41 22-01	LOCK RING	1	
9	544 12 48-01	GEAR WHEEL	1	
10	735 31 26-00	RETAINING RING	1	
11	738 21 05-14	BALL BEARING	1	
12a	525 40 21-01	SPINDLE AXLE	1	1/2"
12b	525 40 22-01	SPINDLE AXLE	1	5/8"

Go to Discount-Equipment.com to order your parts

B1 DM230
MOTOR

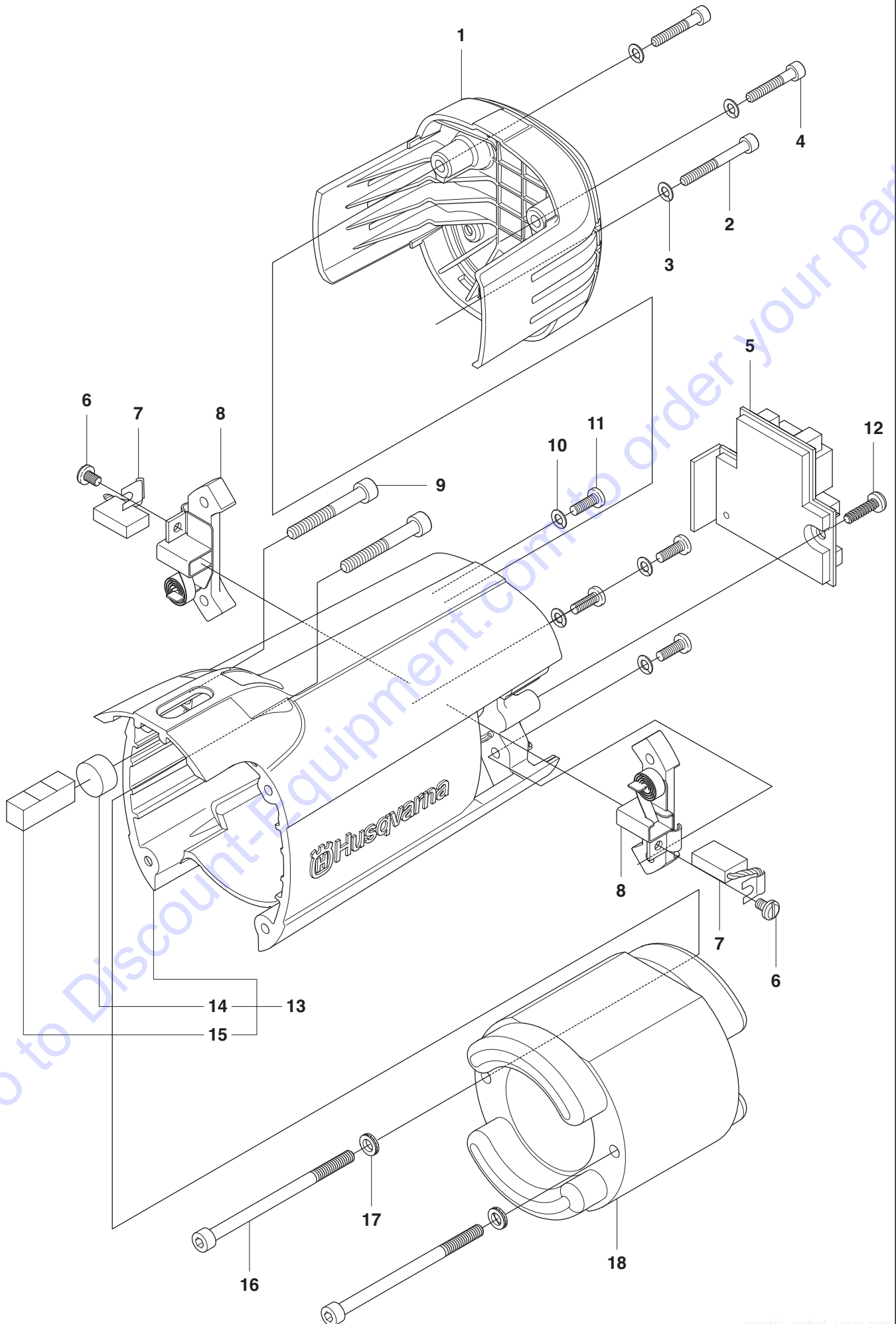


Page B1
DM230

Pos.	Part No.	Description	Quantity	Notes
1	505 57 65-01	ROTOR ASSY BEARING	1	110 V, Incl. 4
1	505 57 66-01	ROTOR ASSY BEARING	1	230 V, Incl. 4
2	503 26 30-03	O-RING	1	
3	544 12 30-01	BEARING SUPPORT	1	
4	503 25 24-01	BALL BEARING	2	
5	544 12 43-01	COVER	1	
6	544 12 29-01	AIR CONDUCTOR	1	
7	735 31 28-10	CIRCLIP	1	
8	501 00 84-01	SPRING WASHER	1	
9	501 00 83-01	SEALING	1	
10	503 26 30-29	O-RING	1	
11	740 43 11-00	O-RING	1	
12	525 47 63-02	SCREW	4	
13	510 44 09-01	GASKET	1	

Go to Discount-Equipment.com to order your parts

B2 DM230
MOTOR

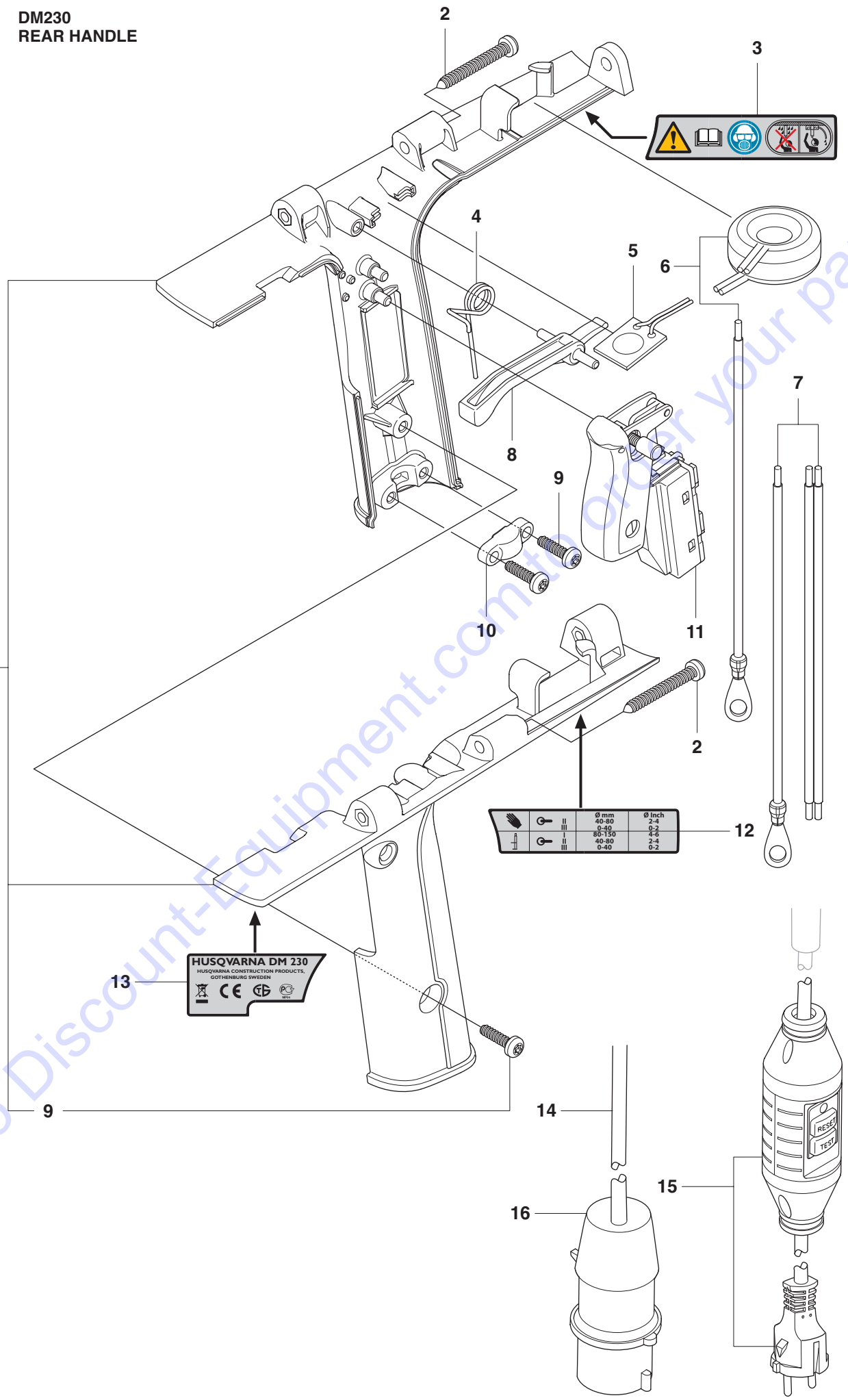


Page B2
DM230

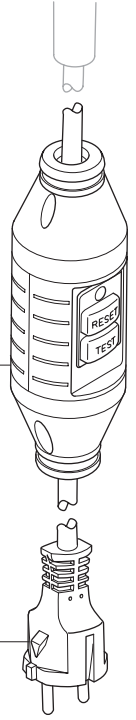
Pos.	Part No.	Description	Quantity	Notes
1	525 40 23-01	REAR COVER	1	
2	503 20 74-35	SCREW	3	
3	735 11 46-50	SPRING WASHER	3	
4	503 20 74-25	SCREW	1	
5	544 12 34-02	PRINTED CIRCUIT ASSY	1	110 V
5	544 12 34-01	PRINTED CIRCUIT ASSY	1	230 V
6	723 22 85-81	SCREW	2	
7	531 07 39-00	CARBON BRUSH	2	
8	544 12 35-01	BRUSH HOLDER	2	
9	725 53 39-55	SCREW	2	
10	735 11 36-50	SPRING WASHER	4	
11	724 12 91-01	SCREW	4	
12	525 47 63-01	SCREW	1	
13	505 57 63-01	MOTOR HOUSING ASSY	1	Incl. 14 - 15
14	544 23 13-01	LEVELL	1	
15	544 23 12-01	LEVELL	1	
16	725 53 47-55	SCREW	2	
17	501 00 85-01	LOCK WASHER	2	
18	502 29 77-01	STATOR	1	110 V
18	544 12 55-01	STATOR	1	230 V

Go to Discount-Equipment.com to order your parts

C1 DM230
REAR HANDLE



	Ø mm	Ø Inch
II	40-80	2-4
III	0-40	0-2
I	80-150	4-6
II	40-80	2-4
III	0-40	0-2



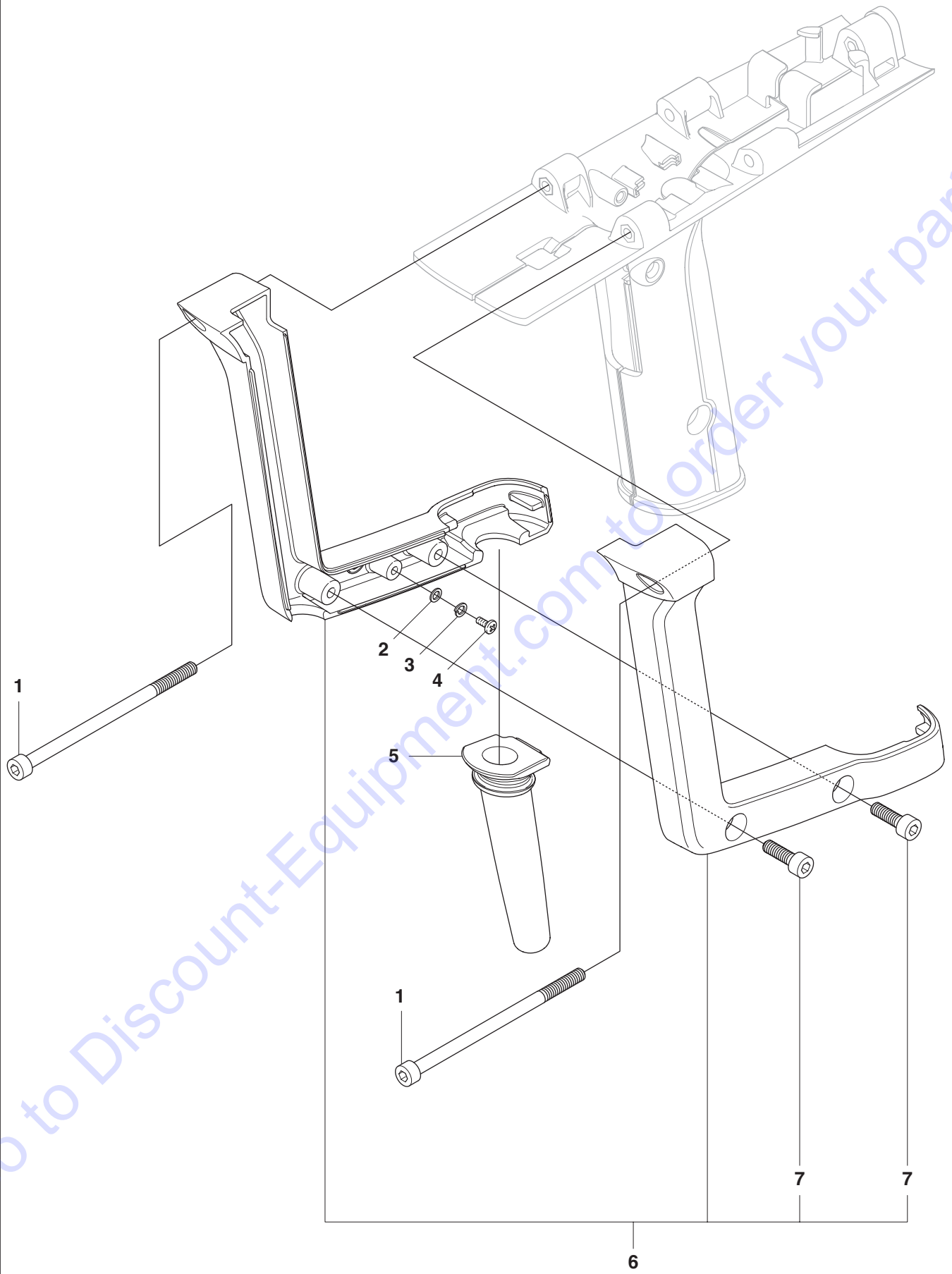
Go to Discount-Equipment.com to order your parts

Page C1
DM230

Pos.	Part No.	Description	Quantity	Notes
1	505 44 11-01	HANDLE ASSY	1	Incl. 9
2	525 47 63-02	SCREW	2	
3	502 63 53-01	LABEL	1	
4	544 12 56-01	SPRING	1	
5	544 13 14-01	BUTTON	1	
6	504 57 13-02	JOINTING CABLE	1	230V
7	504 57 13-01	JOINTING CABLE	1	110V
8	544 13 12-01	LEVER	1	
9	525 47 63-01	SCREW	3	
10	544 12 32-01	CABLE CLAMP	1	
11	544 12 95-01	TRIGGER	1	
12	502 63 50-01	LABEL	1	
13	502 63 49-01	LABEL	1	
14	505 52 02-17	CABLE	1	110V
15a	505 44 33-01	CABLE ASSY	1	230V, Incl. PRCD 10 mA, EU
15b	510 18 13-01	CABLE ASSY	1	120V, Incl. PRCD 6 mA, USA
15c	510 02 89-01	CABLE ASSY	1	230V, Incl. PRCD 10 mA, AUS
16	505 44 32-01	PLUG	1	UK

Go to Discount-Equipment.com to order your parts

C2 DM230
REAR HANDLE

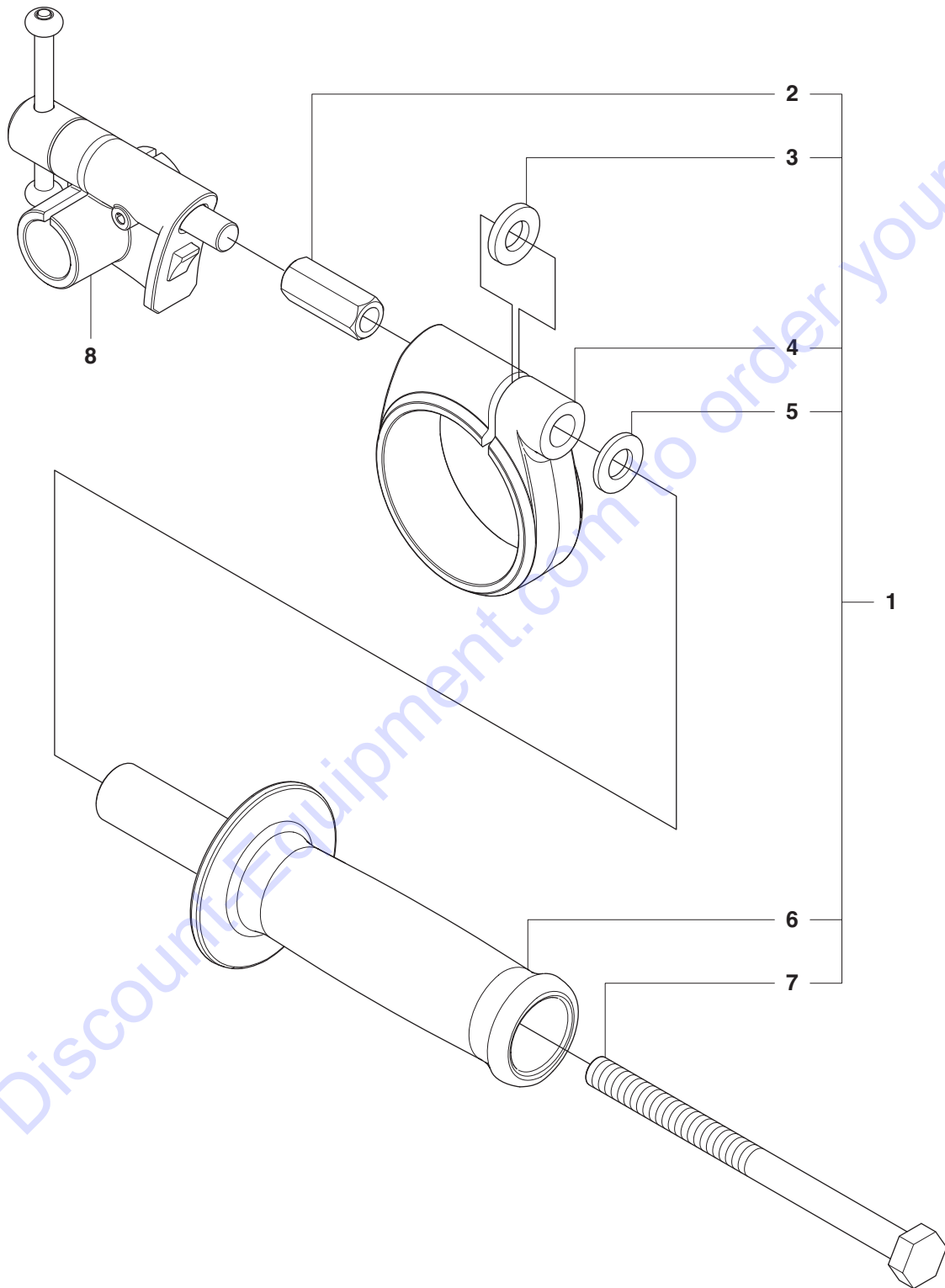


Page C2
DM230

Pos.	Part No.	Description	Quantity	Notes
1	725 53 49-55	SCREW	2	
2	734 11 36-01	WASHER	1	
3	735 21 36-01	LOCK WASHER	1	
4	724 12 87-01	SCREW	1	
5	544 90 05-01	CABLE SLEEVE	1	
6	505 44 13-01	HAND ASSY GUARD	1	Incl. 7
7	725 53 29-55	SCREW	2	

Go to Discount-Equipment.com to order your parts

D DM230
FRONT HANDLE



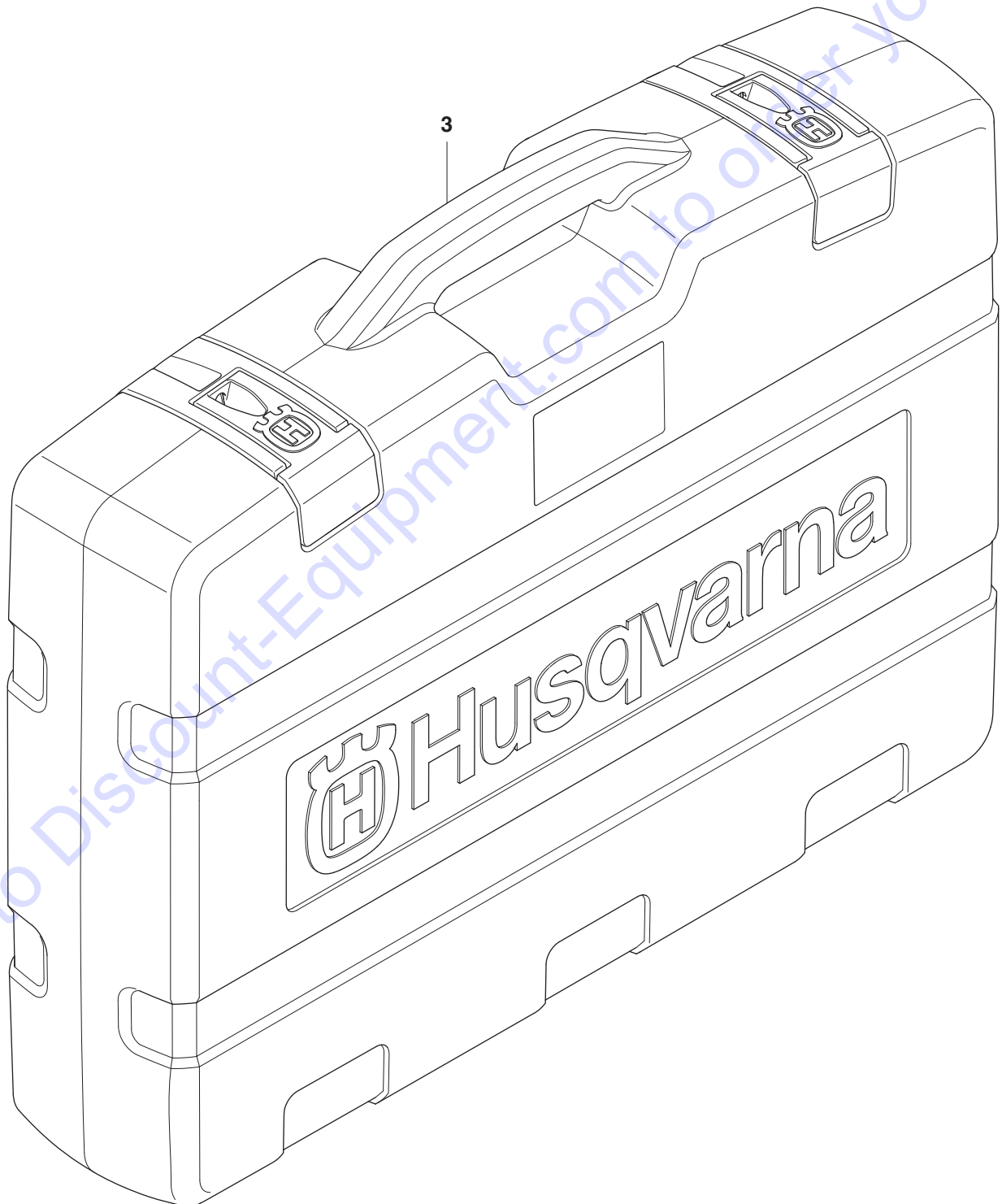
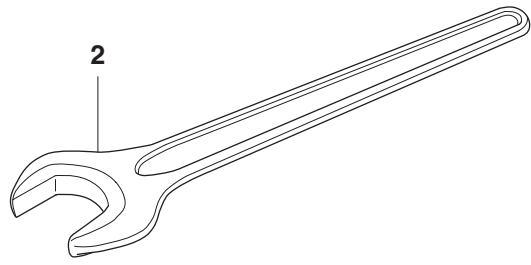
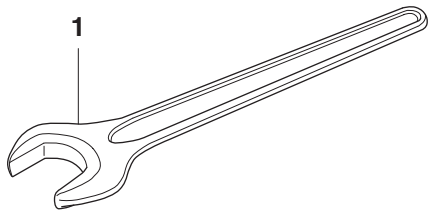
Go to DiscountEquipment.com to order your parts

Page D
DM230

Pos.	Part No.	Description	Quantity	Notes
1	504 57 15-01	FRONT HANDLE	1	Incl. 2 - 7
2	504 02 34-01	NUT	1	
3	504 02 77-01	WASHER RUBBER	1	
4	504 02 28-01	CLAMPING SLEEVE	1	
5	734 11 72-01	WASHER	1	
6	504 57 17-01	GRIP ASSY	1	
7	725 25 18-51	SCREW	1	
8	504 09 87-01	BRACKET ASSY	1	

Go to Discount-Equipment.com to order your parts

E DM230
ACCESSORIES



Page E
DM230

Pos.	Part No.	Description	Quantity	Notes
1	531 14 09-51	SPANNER 24	1	24 mm
2	531 14 09-52	SPANNER 32	1	32 mm
3	502 29 45-01	CARRYING CASE	1	

Go to Discount-Equipment.com to order your parts

PARTS FINDER

**Search Website
by Part Number**



**Search Manual
Library For Parts
Manual & Lookup Part
Numbers – Purchase
or Request Quote**

Search Manuals

Enter your information to help us find the right parts manual for your machine.

* Brand:

* Model:

* Serial:

* Part Number:

SEARCH

**Can't Find Part or
Manual? Request Help
by Manufacturer,
Model & Description**

Parts Order Form

Please fill in the following information to help us find the right part for your machine.

MANUFACTURER:

MODEL:

DESCRIPTION:

DATE:

TIME:

PHONE:

EMAIL:

ADDRESS:

CITY:

STATE:

ZIP:

SEARCH

Discount-Equipment.com is your online resource for quality parts & equipment.

Florida: **561-964-4949** Outside Florida TOLL FREE: **877-690-3101**

Need parts?

Click on this link: <http://www.discount-equipment.com/category/5443-parts/> and choose one of the options to help get the right parts and equipment you are looking for. Please have the machine model and serial number available in order to help us get you the correct parts. If you don't find the part on the website or on one of the online manuals, please fill out the request form and one of our experienced staff members will get back to you with a quote for the right part that your machine needs.

We sell worldwide for the brands: Genie, Terex, JLG, MultiQuip, Mikasa, Essick, Whiteman, Mayco, Toro Stone, Diamond Products, Generac Magnum, Airman, Haulotte, Barreto, Power Blanket, Nifty Lift, Atlas Copco, Chicago Pneumatic, Allmand, Miller Curber, Skyjack, Lull, Skytrak, Tsurumi, Husquvarna Target, Stow, Wacker, Sakai, Mi-T-M, Sullair, Basic, Dynapac, MBW, Weber, Bartell, Bennar Newman, Haulotte, Ditch Runner, Menegotti, Morrison, Contec, Buddy, Crown, Edco, Wyco, Bomag, Laymor, EZ Trench, Bil-Jax, F.S. Curtis, Gehl Pavers, Heli, Honda, ICS/PowerGrit, IHI, Partner, Imer, Clipper, MMD, Koshin, Rice, CH&E, General Equipment, Amida, Coleman, NAC, Gradall, Square Shooter, Kent, Stanley, Tamco, Toku, Hatz, Kohler, Robin, Wisconsin, Northrock, Oztec, Toker TK, Rol-Air, APT, Wylie, Ingersoll Rand / Doosan, Innovatech, Con X, Ammann, Mecalac, Makinex, Smith Surface Prep, Small Line, Wanco, Yanmar