

## DM 280

Reservdelar

Spare parts

Ersatzteile

Pieces de rechange

Piezas de repuesto

Ricambi

Peças sobresselente

# PARTS FINDER

**Search Website  
by Part Number**



**Search Manual  
Library For Parts  
Manual & Lookup Part  
Numbers – Purchase  
or Request Quote**

**Search Manuals**

Enter your information to help us find the right parts manual for your machine.

\* Brand:

\* Model:

\* Serial:

\* Part Number:

SEARCH

**Can't Find Part or  
Manual? Request Help  
by Manufacturer,  
Model & Description**

**Parts Order Form**

Please fill in the following information to help us find the right part for your machine.

MANUFACTURER:

MODEL:

DESCRIPTION:

DATE:

TIME:

PHONE:

EMAIL:

ADDRESS:

CITY:

STATE:

ZIP:

COUNTRY:

SEARCH

Discount-Equipment.com is your online resource for quality parts & equipment.

Florida: **561-964-4949** Outside Florida TOLL FREE: **877-690-3101**

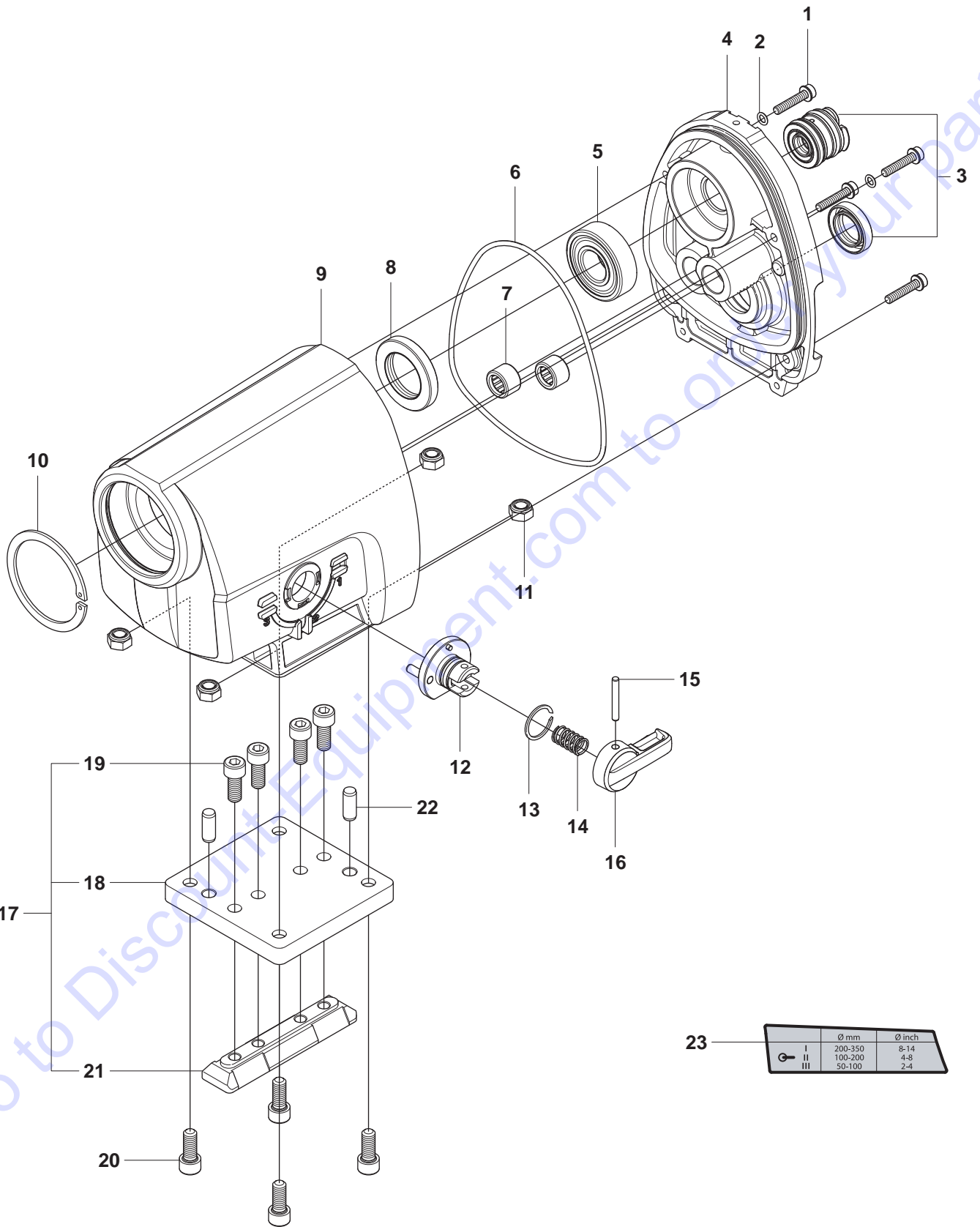
**Need parts?**

Click on this link: <http://www.discount-equipment.com/category/5443-parts/> and choose one of the options to help get the right parts and equipment you are looking for. Please have the machine model and serial number available in order to help us get you the correct parts. If you don't find the part on the website or on one of the online manuals, please fill out the request form and one of our experienced staff members will get back to you with a quote for the right part that your machine needs.

We sell worldwide for the brands: Genie, Terex, JLG, MultiQuip, Mikasa, Essick, Whiteman, Mayco, Toro Stone, Diamond Products, Generac Magnum, Airman, Haulotte, Barreto, Power Blanket, Nifty Lift, Atlas Copco, Chicago Pneumatic, Allmand, Miller Curber, Skyjack, Lull, Skytrak, Tsurumi, Husquvarna Target, Stow, Wacker, Sakai, Mi-T-M, Sullair, Basic, Dynapac, MBW, Weber, Bartell, Bennar Newman, Haulotte, Ditch Runner, Menegotti, Morrison, Contec, Buddy, Crown, Edco, Wyco, Bomag, Laymor, EZ Trench, Bil-Jax, F.S. Curtis, Gehl Pavers, Heli, Honda, ICS/PowerGrit, IHI, Partner, Imer, Clipper, MMD, Koshin, Rice, CH&E, General Equipment, Amida, Coleman, NAC, Gradall, Square Shooter, Kent, Stanley, Tamco, Toku, Hatz, Kohler, Robin, Wisconsin, Northrock, Oztec, Toker TK, Rol-Air, APT, Wylie, Ingersoll Rand / Doosan, Innovatech, Con X, Ammann, Mecalac, Makinex, Smith Surface Prep, Small Line, Wanco, Yanmar

No.	Pos.	Description	No.	Pos.	Description
503 20 07-78	A1	SCREW	544 84 79-02	C	FRAME
502 30 44-01	B1	HOSE ASSY	544 84 80-01	C	COVER
502 47 97-01	A1	SHAFT	544 88 27-01	B1	BRACKET
502 49 61-01	A1	COMPRESSION SPRING	544 90 05-01	C	CABLE SLEEVE
502 49 63-02	A1	SEALING RING	720 12 76-06	A1	PARALLEL PIN
502 49 65-01	B1	O-RING	720 14 01-06	A1	PARALLEL PIN
502 49 65-02	A1	O-RING	723 22 85-81	B2	SCREW
502 49 70-01	A1	CIRCLIP	724 12 87-59	B1	SCREW
503 20 07-74	C	SCREW	724 12 91-01	B2	SCREW
503 20 07-78	B1	SCREW	725 54 51-01	A1	SCREW
503 20 07-82	C	SCREW	725 54 59-01	D	SCREW
503 21 88-30	B1C	SCREW	729 57 78-01	B2	SCREW
503 25 53-01	A1	NEEDLE BEARING	732 21 14-01	B2	LOCK NUT
503 26 60-03	B1	COUPLER	732 25 18-01	A1	LOCK NUT
503 26 60-04	B1	COUPLER	734 11 36-01	B1	WASHER
504 20 90-01	C	HOLDER ELECTRONICS	735 11 36-50	B2	SPRING WASHER
504 20 90-02	C	HOLDER ELECTRONICS	735 11 46-50	B2	SPRING WASHER
504 54 50-01	B2	FILTER	735 21 36-01	B1	LOCK WASHER
504 54 62-01	B2	TERMINAL BLOCK	735 31 22-41	A1	CIRCLIP
504 54 62-02	B2	TERMINAL BLOCK	735 31 25-00	A2	CIRCLIP
504 54 63-01	B2	CAPACITOR	735 31 30-00	A2	CIRCLIP
505 10 35-01	B1	O-RING	735 31 33-10	B1	CIRCLIP
505 15 50-01	B1	ROTOR	738 22 01-19	A2	BALL BEARING
505 15 51-01	B1	ROTOR	738 22 02-19	B1	BALL BEARING
505 40 60-01	A1	LABEL	738 22 04-19	A1	BALL BEARING
505 42 98-01	A1	LABEL	738 22 06-29	A2	BALL BEARING
505 44 33-02	C	CABLE	740 42 03-00	A1	O-RING
506 22 51-10	B2	STATOR ASSY			
506 22 51-20	B2	STATOR ASSY			
506 22 53-01	B2	SCREW			
506 22 58-02	B2	CARBON BRUSH			
506 95 70-01	C	JOINTING CABLE			
510 11 20-01	B1	NIPPLE KIT			
510 12 59-01	B1	HOSE KIT			
510 18 13-03	C	CABLE			
510 19 59-01	B1	VALVE KIT			
521 90 72-02	C	CABLE			
521 91 90-02	C	CABLE			
522 93 68-01	D	KIT, ADAPTER DS			
525 43 76-01	D	ALLEN KEY			
525 82 58-01	A1	SEAL KIT			
525 82 59-01	A2	GEAR WHEEL ASSY			
525 82 59-02	A2	GEAR WHEEL ASSY			
525 82 60-01	A2	OIL PIPE ASSY			
525 82 61-01	A2	KIT WEAR PARTS			
525 82 62-01	A2	SPINDLE SHAFT ASSY			
531 03 18-92	B2	BRUSH HOLDER			
531 07 38-91	C	SWITCH			
531 07 42-60	B1	FIBRE WASHER			
531 14 09-52	D	SPANNER 32			
531 14 09-58	A2	ADAPTER			
544 12 32-01	B2	CABLE CLAMP			
544 39 76-01	B1	SLEEVE			
544 39 77-01	A2	GEAR WHEEL SHAFT			
544 39 92-01	A2	GEAR WHEEL			
544 39 93-01	A2	GEAR WHEEL			
544 40 22-01	A1	GEAR HOUSING			
544 40 23-02	A1	COVER			
544 40 25-01	B1	COVER			
544 40 28-02	B2	COVER			
544 44 45-01	A2	SLIP CLUTCH ASSY			
544 44 49-02	B2	MOTOR HOUSING			
544 44 81-01	A1	GEAR SHIFT LEVER			
544 80 60-01	B1	AIR CONDUCTOR			
544 80 61-01	B2	AIR CONDUCTOR			
544 80 62-01	C	PROTECTIVE CAP			
544 80 63-01	C	PROTECTIVE CAP			
544 80 64-01	A1	MOTOR BRACKET			
544 80 66-01	A1	WEDGE			
544 80 67-01	A1	PLATE			

# A1 DM280



23

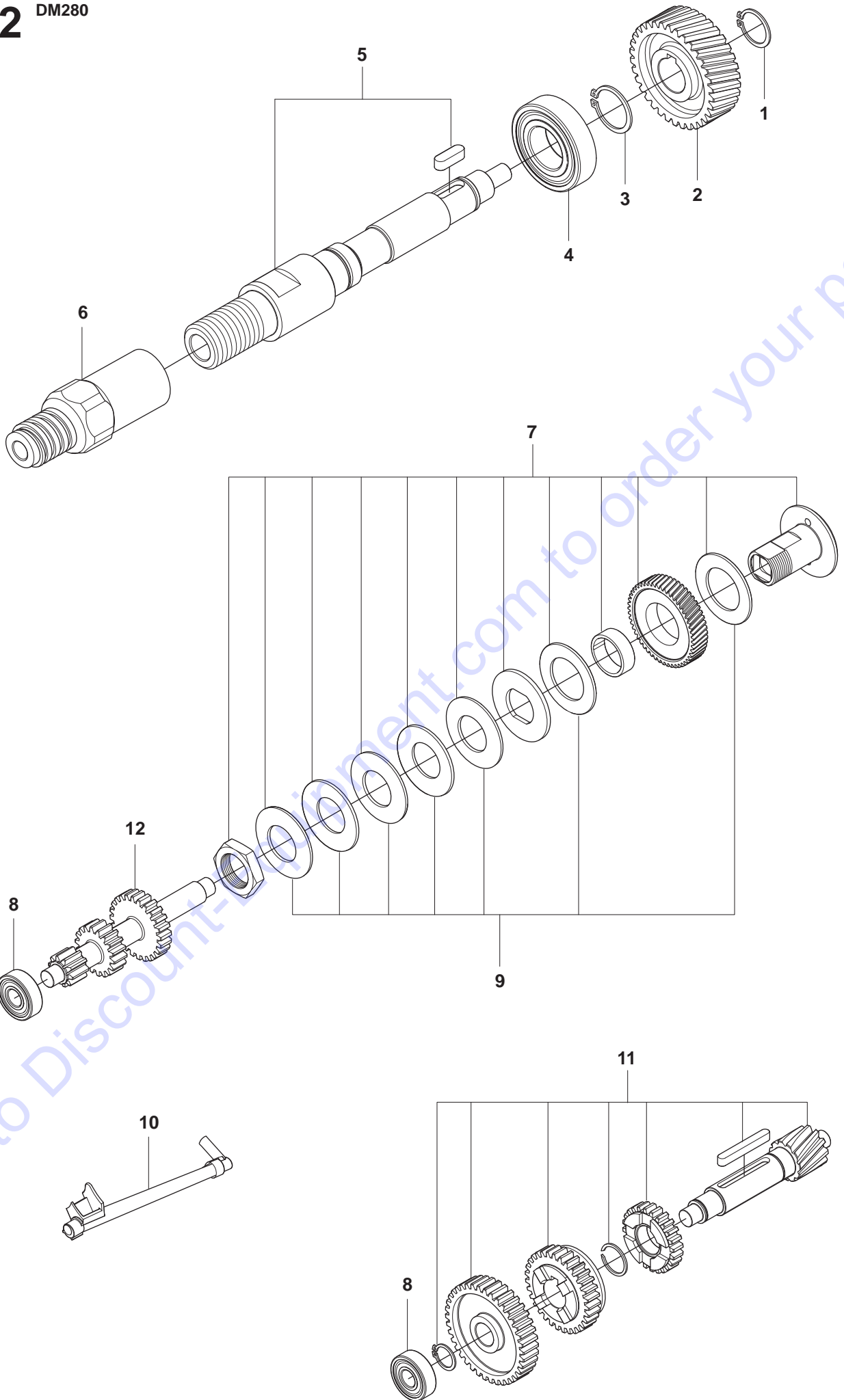
	Ø mm	Ø inch
I	200-350	8-14
II	100-200	4-8
III	50-100	2-4

**Page A1**  
**DM280**

Pos.	Part No.	Description	Quantity	Notes	New Part
1	503 20 07-78	SCREW	4		
2	740 42 03-00	O-RING	2		
3	525 82 58-01	SEAL KIT	1		
4	544 40 23-02	COVER	1		
5	738 22 04-19	BALL BEARING	1		
6	502 49 65-02	O-RING	1		
7	503 25 53-01	NEEDLE BEARING	2		
8	502 49 63-02	SEALING RING	1		
9	544 40 22-01	GEAR HOUSING	1		
10	502 49 70-01	CIRCLIP	1		
11	732 25 18-01	LOCK NUT	4		
12	502 47 97-01	SHAFT	1		
13	735 31 22-41	CIRCLIP	1		
14	502 49 61-01	COMPRESSION SPRING	1		
15	720 12 76-06	PARALLEL PIN	1		
16	544 44 81-01	GEAR SHIFT LEVER	1		
17	544 80 64-01	MOTOR BRACKET	1	Incl. 18, 19, 21	
18	544 80 67-01	PLATE	1		
19	725 54 51-01	SCREW	4		
20	725 54 51-01	SCREW	4		
21	544 80 66-01	WEDGE	1		
22	720 14 01-06	PARALLEL PIN	2		
23	505 42 98-01	LABEL	1	Low speed version	
23	505 40 60-01	LABEL	1	High speed version	

Go to Discount-Equipment.com to order your parts

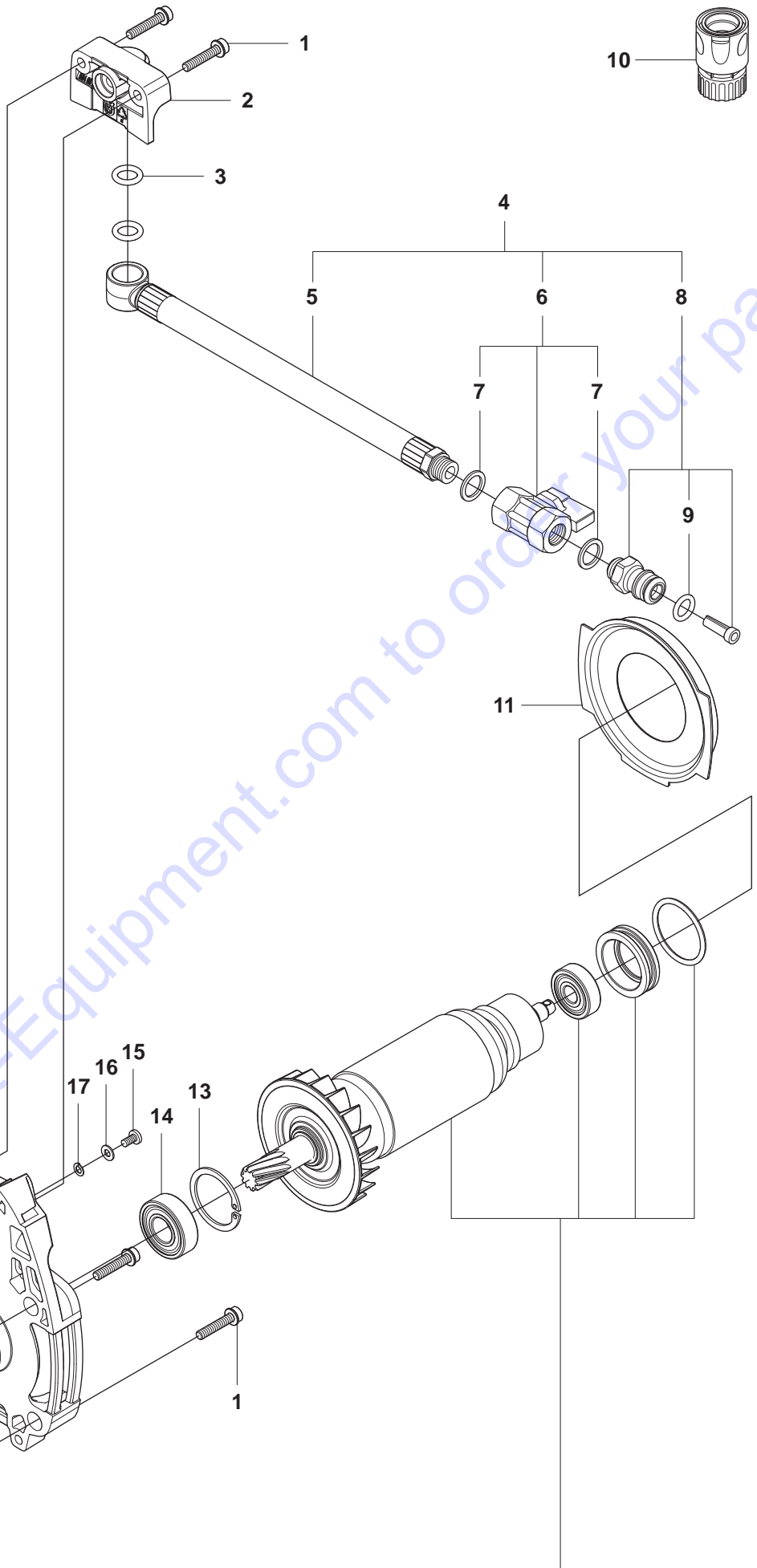
# A2 DM280



Pos.	Part No.	Description	Quantity	Notes	New Part
1	735 31 25-00	CIRCLIP	1		
2	544 39 92-01	GEAR WHEEL	1	Low speed version	
2	544 39 93-01	GEAR WHEEL	1	High speed version	
3	735 31 30-00	CIRCLIP	1		
4	738 22 06-29	BALL BEARING	1		
5	525 82 62-01	SPINDLE SHAFT ASSY	1		
6	531 14 09-58	ADAPTER	1	SE, FI, NO, DK	
7	544 44 45-01	SLIP CLUTCH ASSY	1		
8	738 22 01-19	BALL BEARING	2		
9	525 82 61-01	KIT WEAR PARTS	1		
10	525 82 60-01	OIL PIPE ASSY	1		
11	525 82 59-01	GEAR WHEEL ASSY	1	Low speed version	
11	525 82 59-02	GEAR WHEEL ASSY	1	High speed version	
12	544 39 77-01	GEAR WHEEL SHAFT	1		

Go to Discount-Equipment.com to order your parts

**B1** DM280



Go to Discount-Equipment.com to order your parts

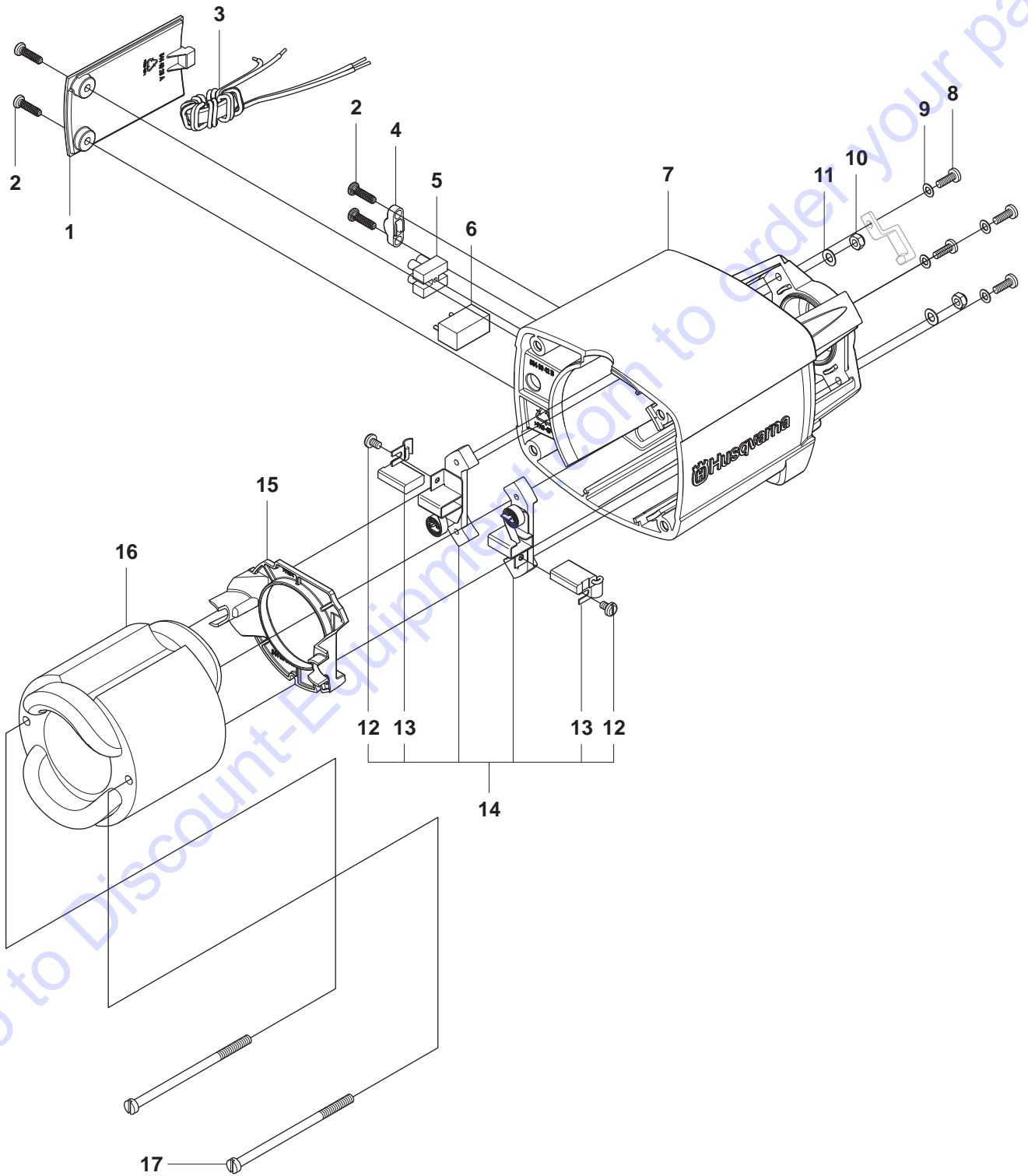


**Page B1**  
**DM280**

Pos.	Part No.	Description	Quantity	Notes	New Part
1	503 20 07-78	SCREW	4		
2	544 88 27-01	BRACKET	1		
3	502 49 65-01	O-RING	2		
4	502 30 44-01	HOSE ASSY	1	Incl 5, 6, 8	
5	510 12 59-01	HOSE KIT	1		
6	510 19 59-01	VALVE KIT	1	Incl 7	
7	531 07 42-60	FIBRE WASHER	2		
8	510 11 20-01	NIPPLE KIT	1	Incl 9	
9	505 10 35-01	O-RING	1		
10	503 26 60-03	COUPLER	1	US, CANADA	
10	503 26 60-04	COUPLER	1		
11	544 80 60-01	AIR CONDUCTOR	1		
12	505 15 50-01	ROTOR	1	Incl 20 110V	
12	505 15 51-01	ROTOR	1	Incl 20 230V	
13	735 31 33-10	CIRCLIP	1		
14	738 22 02-19	BALL BEARING	1		
15	724 12 87-59	SCREW	1		
16	734 11 36-01	WASHER	1		
17	735 21 36-01	LOCK WASHER	1		
18	544 40 25-01	COVER	1		
19	503 21 88-30	SCREW	4		
20	544 39 76-01	SLEEVE	1		

Go to Discount-Equipment.com to order your parts

# B2 DM280

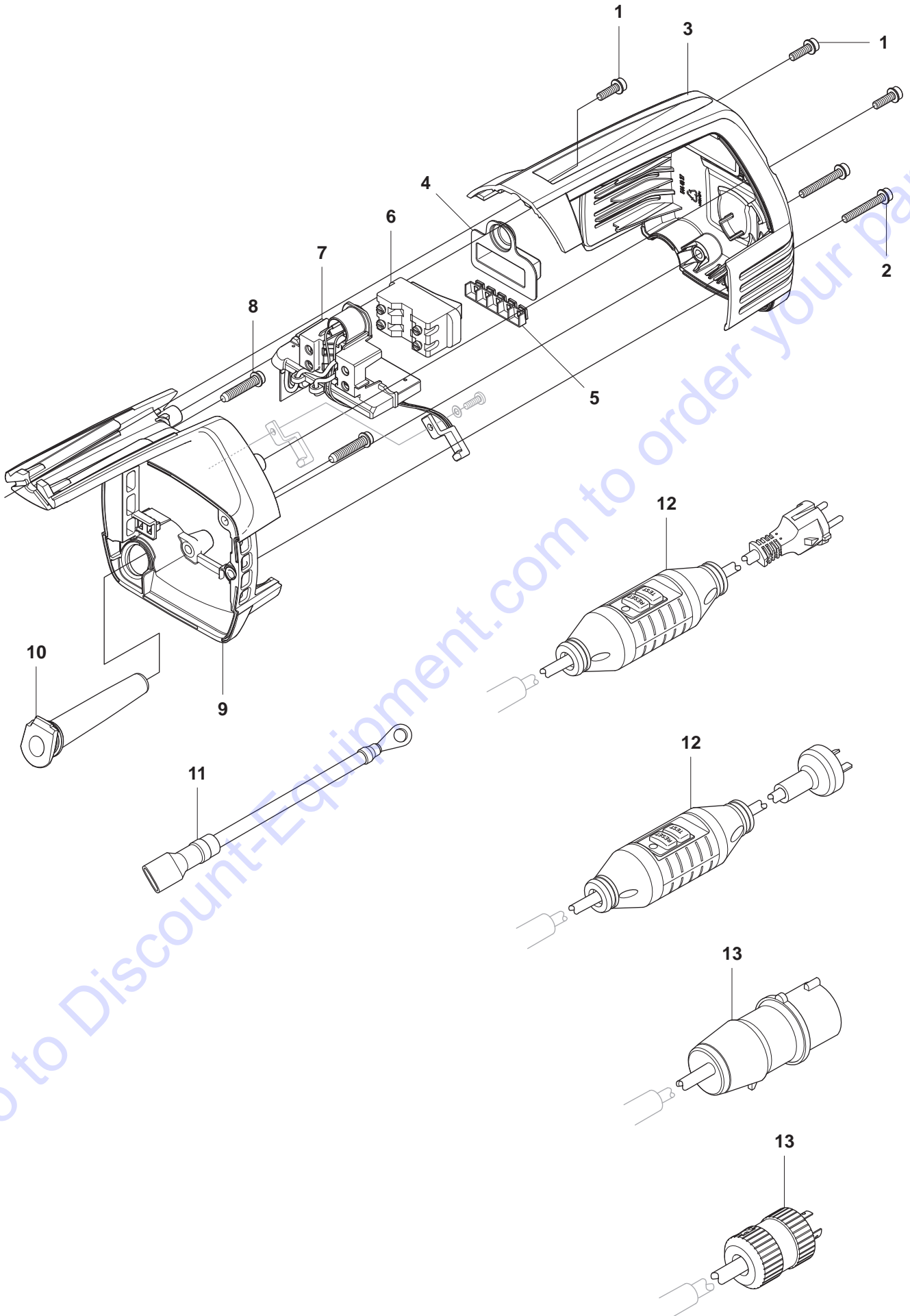


Go to Discount-Equipment.com to order your parts

**Page B2****DM280**

Pos.	Part No.	Description	Quantity	Notes	New Part
1	544 40 28-02	COVER	1		
2	729 57 78-01	SCREW	4		
3	504 54 50-01	FILTER	1	230V Only	
4	544 12 32-01	CABLE CLAMP	1		
5	504 54 62-01	TERMINAL BLOCK	1	110V	
5	504 54 62-02	TERMINAL BLOCK	1	230V	
6	504 54 63-01	CAPACITOR	1		
7	544 44 49-02	MOTOR HOUSING	1		
8	724 12 91-01	SCREW	4		
9	735 11 36-50	SPRING WASHER	4		
10	732 21 14-01	LOCK NUT	2		
11	735 11 46-50	SPRING WASHER	2		
12	723 22 85-81	SCREW	2		
13	506 22 58-02	CARBON BRUSH	2		
14	531 03 18-92	BRUSH HOLDER	2	Incl. 12 - 13	
15	544 80 61-01	AIR CONDUCTOR	1		
16	506 22 51-10	STATOR ASSY	1	110V	
16	506 22 51-20	STATOR ASSY	1	230V	
17	506 22 53-01	SCREW	2		

Go to Discount-Equipment.com to order your parts

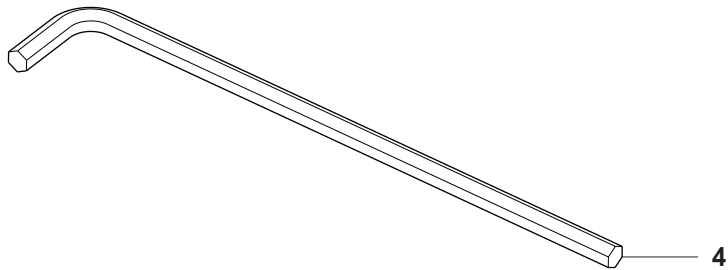
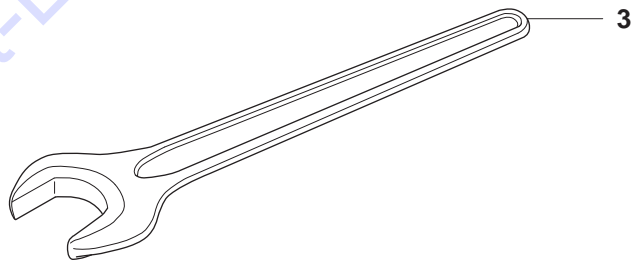
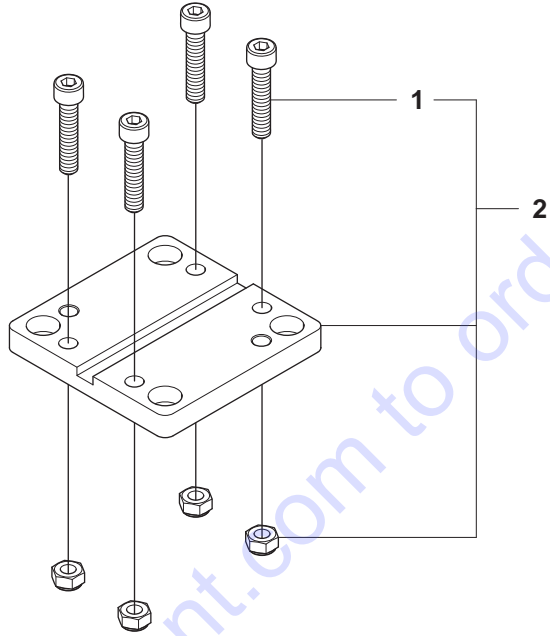


Go to Discount-Equipment.com to order your parts

**Page C**  
**DM280**

Pos.	Part No.	Description	Quantity	Notes	New Part
1	503 20 07-74	SCREW	3		
2	503 20 07-82	SCREW	2		
3	544 84 80-01	COVER	1		
4	544 80 62-01	PROTECTIVE CAP	1		
5	544 80 63-01	PROTECTIVE CAP	1		
6	531 07 38-91	SWITCH	1		
7	504 20 90-01	HOLDER ELECTRONICS	1	110V	
7	504 20 90-02	HOLDER ELECTRONICS	1	230V	
8	503 21 88-30	SCREW	2		
9	544 84 79-02	FRAME	1		
10	544 90 05-01	CABLE SLEEVE	1		
11	506 95 70-01	JOINTING CABLE	1	110V	
12	505 44 33-02	CABLE	1	230V incl PRCD 10mV, EU	
12	521 90 72-02	CABLE	1	230V incl PRCD 10mV, AU	
13	521 91 90-02	CABLE	1	110V UK	
13	510 18 13-03	CABLE	1	110V US	

Go to Discount-Equipment.com to order your parts



**Page D**  
**DM280**

Pos.	Part No.	Description	Quantity	Notes	New Part
1	725 54 59-01	SCREW	4		
2	522 93 68-01	KIT, ADAPTER DS	1		
3	531 14 09-52	SPANNER 32	1	32mm	
4	525 43 76-01	ALLEN KEY	1		

Go to [Discount-Equipment.com](http://Discount-Equipment.com) to order your parts

# PARTS FINDER

**Search Website  
by Part Number**



**Search Manual  
Library For Parts  
Manual & Lookup Part  
Numbers – Purchase  
or Request Quote**

**Search Manuals**

Enter your information to help us find the right parts manual for your machine.

\* Brand:

\* Model:

\* Serial:

\* Part Number:

SEARCH

**Can't Find Part or  
Manual? Request Help  
by Manufacturer,  
Model & Description**

**Parts Order Form**

Please fill in the following information to help us find the right part for your machine.

Manufacturer:	<input type="text"/>
Model:	<input type="text"/>
Description:	<input type="text"/>
Part Number:	<input type="text"/>
Quantity:	<input type="text"/>
Notes:	<input type="text"/>

Submit

Discount-Equipment.com is your online resource for quality parts & equipment.

Florida: **561-964-4949** Outside Florida TOLL FREE: **877-690-3101**

**Need parts?**

Click on this link: <http://www.discount-equipment.com/category/5443-parts/> and choose one of the options to help get the right parts and equipment you are looking for. Please have the machine model and serial number available in order to help us get you the correct parts. If you don't find the part on the website or on one of the online manuals, please fill out the request form and one of our experienced staff members will get back to you with a quote for the right part that your machine needs.

We sell worldwide for the brands: Genie, Terex, JLG, MultiQuip, Mikasa, Essick, Whiteman, Mayco, Toro Stone, Diamond Products, Generac Magnum, Airman, Haulotte, Barreto, Power Blanket, Nifty Lift, Atlas Copco, Chicago Pneumatic, Allmand, Miller Curber, Skyjack, Lull, Skytrak, Tsurumi, Husquvarna Target, Stow, Wacker, Sakai, Mi-T-M, Sullair, Basic, Dynapac, MBW, Weber, Bartell, Bennar Newman, Haulotte, Ditch Runner, Menegotti, Morrison, Contec, Buddy, Crown, Edco, Wyco, Bomag, Laymor, EZ Trench, Bil-Jax, F.S. Curtis, Gehl Pavers, Heli, Honda, ICS/PowerGrit, IHI, Partner, Imer, Clipper, MMD, Koshin, Rice, CH&E, General Equipment, Amida, Coleman, NAC, Gradall, Square Shooter, Kent, Stanley, Tamco, Toku, Hatz, Kohler, Robin, Wisconsin, Northrock, Oztec, Toker TK, Rol-Air, APT, Wylie, Ingersoll Rand / Doosan, Innovatech, Con X, Ammann, Mecalac, Makinex, Smith Surface Prep, Small Line, Wanco, Yanmar