



# SPARE PARTS LIST

FLOOR SAWS

FS400 LV, 2014-08

Go to [Discount-Equipment.com](http://Discount-Equipment.com) to order your parts



# PARTS FINDER

**Search Website  
by Part Number**



**Search Manual  
Library For Parts  
Manual & Lookup Part  
Numbers – Purchase  
or Request Quote**

**Search Manuals**

Enter your information to help us find the right parts manual for your machine.

\* Brand:

\* Model:

\* Serial:

\* Part Number:

SEARCH

**Can't Find Part or  
Manual? Request Help  
by Manufacturer,  
Model & Description**

**Parts Order Form**

Please fill in the following information to help us find the right part for your machine.

Manufacturer:	<input type="text"/>
Model:	<input type="text"/>
Description:	<input type="text"/>
Part Number:	<input type="text"/>
Quantity:	<input type="text"/>
Notes:	<input type="text"/>

Submit

Discount-Equipment.com is your online resource for quality parts & equipment.

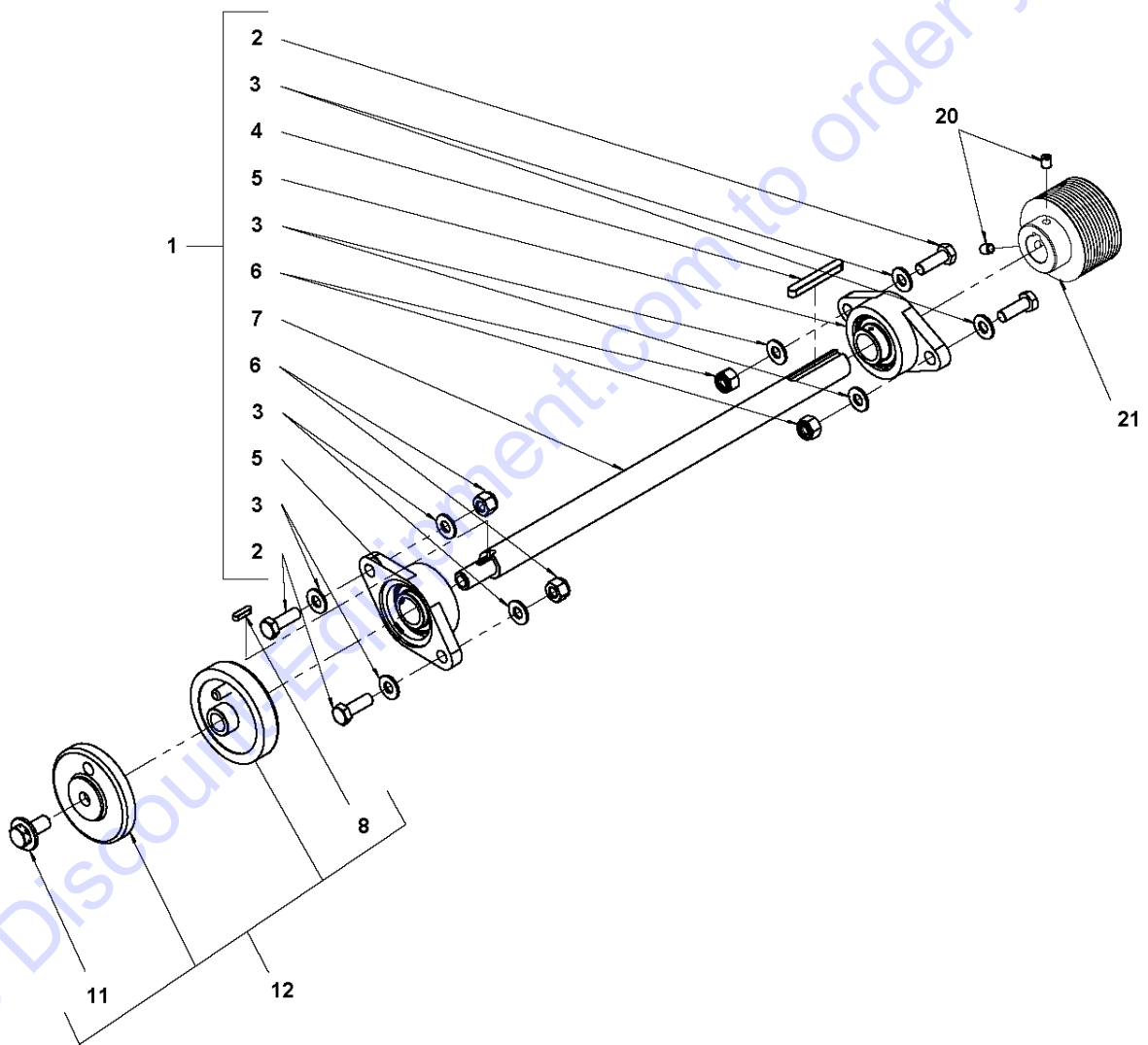
Florida: **561-964-4949** Outside Florida TOLL FREE: **877-690-3101**

**Need parts?**

Click on this link: <http://www.discount-equipment.com/category/5443-parts/> and choose one of the options to help get the right parts and equipment you are looking for. Please have the machine model and serial number available in order to help us get you the correct parts. If you don't find the part on the website or on one of the online manuals, please fill out the request form and one of our experienced staff members will get back to you with a quote for the right part that your machine needs.

We sell worldwide for the brands: Genie, Terex, JLG, MultiQuip, Mikasa, Essick, Whiteman, Mayco, Toro Stone, Diamond Products, Generac Magnum, Airman, Haulotte, Barreto, Power Blanket, Nifty Lift, Atlas Copco, Chicago Pneumatic, Allmand, Miller Curber, Skyjack, Lull, Skytrak, Tsurumi, Husquvarna Target, Stow, Wacker, Sakai, Mi-T-M, Sullair, Basic, Dynapac, MBW, Weber, Bartell, Bennar Newman, Haulotte, Ditch Runner, Menegotti, Morrison, Contec, Buddy, Crown, Edco, Wyco, Bomag, Laymor, EZ Trench, Bil-Jax, F.S. Curtis, Gehl Pavers, Heli, Honda, ICS/PowerGrit, IHI, Partner, Imer, Clipper, MMD, Koshin, Rice, CH&E, General Equipment, Amida, Coleman, NAC, Gradall, Square Shooter, Kent, Stanley, Tamco, Toku, Hatz, Kohler, Robin, Wisconsin, Northrock, Oztec, Toker TK, Rol-Air, APT, Wylie, Ingersoll Rand / Doosan, Innovatech, Con X, Ammann, Mecalac, Makinex, Smith Surface Prep, Small Line, Wanco, Yanmar

FOR SERIAL NUMBERS BEFORE 2013 2100001, SEE SERVICE BULLETIN SB1300036

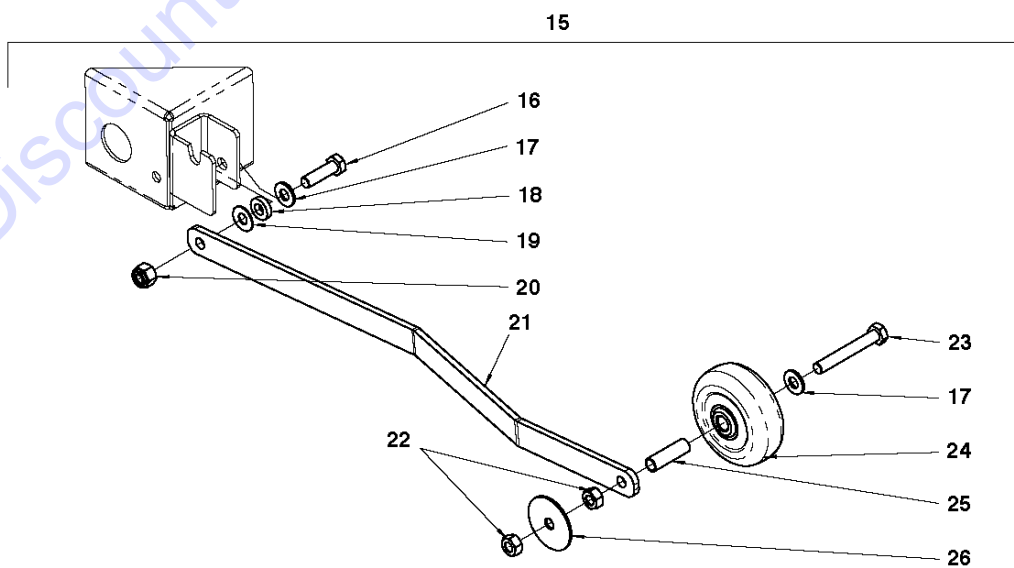
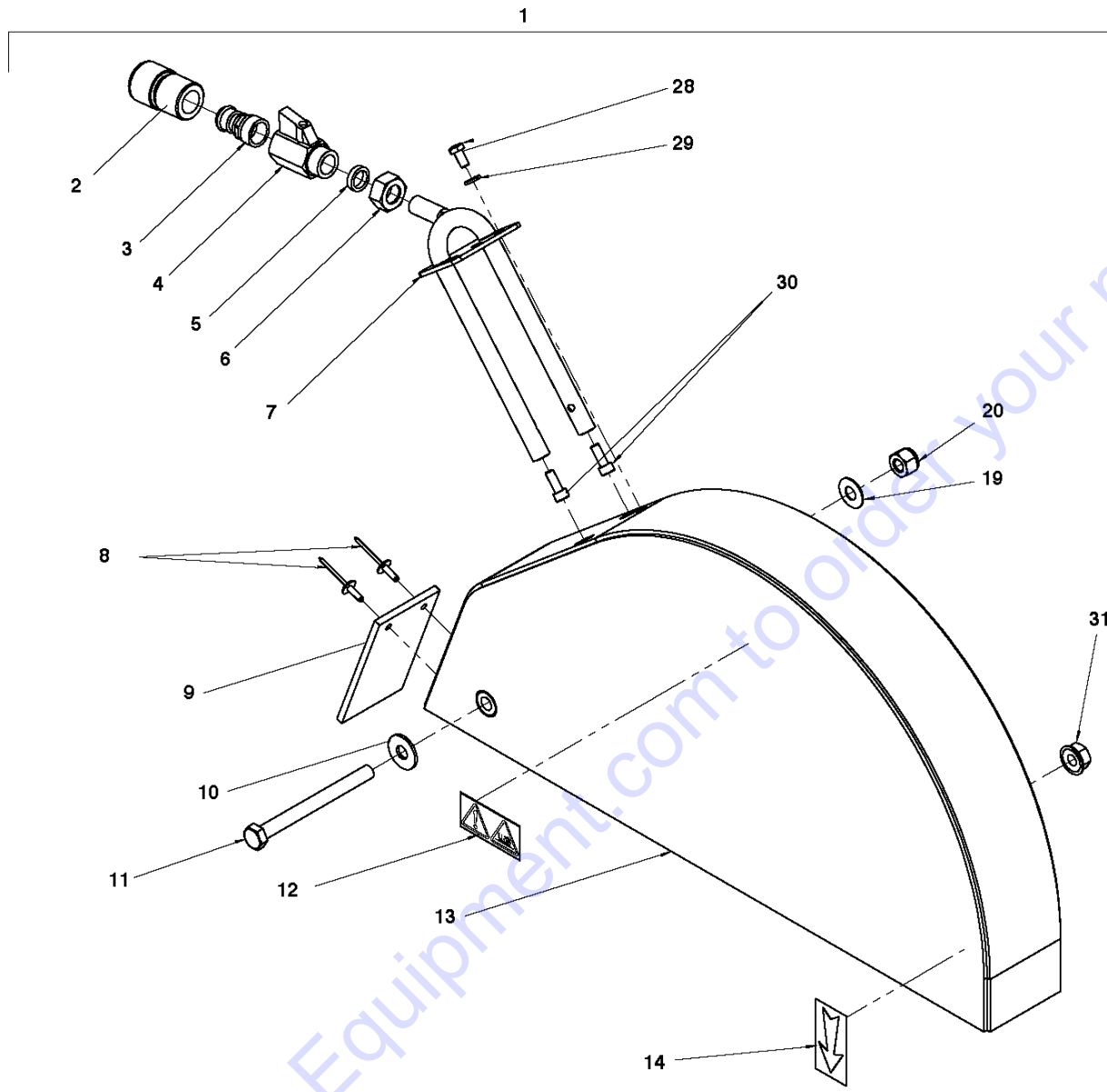


## BLADE ARM

FS400 LV, 2014-08

Ref	Part No	Description	Remark	QTY KIT
1	585 31 34-01	BLADE SHAFT	S/N before 2013 2100001, see service bulletin SB1300036	1
2	725 24 95-71	SCREW EHHM		4
3	734 11 72-01	WASHER		8
4	543 04 47-96	CLAVETTE 8X7X63BOUT ROND/		1
5	543 04 50-52	BEARING		2
6	732 25 20-01	HEXAGON LOCKING NUT		4
7	581 18 91-01	BLADE SHAFT	S/N before 2013 2100001, see service bulletin SB1300036	1
8	581 49 28-01	KEY	S/N before 2013 2100001, see service bulletin SB1300036	2
11	543 07 73-44	SCREW		1
12	585 31 35-01	FLANGE	S/N before 2013 2100001, see service bulletin SB1300036	1
20	728 74 45-05	SCREW IHSETM		2
21	543 04 65-71	BLADE SHAFT		1

Go to Discount-Equipment.com to order your parts

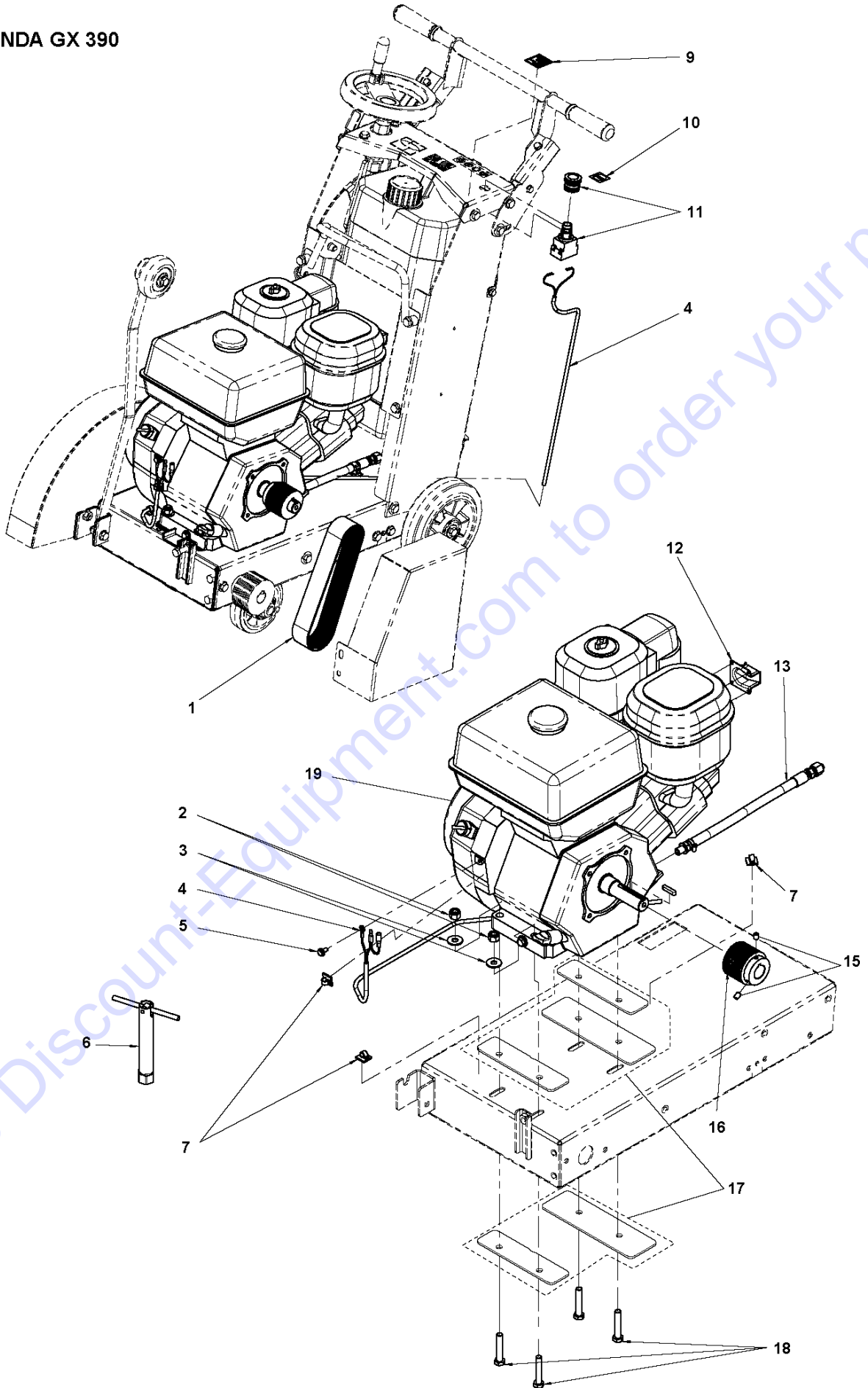


D

Ref	Part No	Description	Remark	QTY KIT
1	502 08 29-01	BLADE GUARD		1
2	543 04 56-12	QUICK COUPLING		1
3	543 04 56-10	ADAPTER		1
4	543 04 55-39	COUPLING		1
5	543 04 55-60	COLLET		1
6	543 04 55-61	ECROU POUR COLLET BATTU/12.7/1		1
7	543 04 67-00	COLLECTOR		1
8	722 79 44-02	RIVET		2
9	543 04 28-75	RUBBER DEFLECTOR/FS450F/FS350C		1
10	734 11 74-41	WASHER		1
11	725 25 15-51	SCREW EHHM		1
12	543 04 58-82	GRAPH. DANGER+RISQUE DE/COUPUR		1
13	544 95 09-01	BLADE GUARD		1
14	543 85 00-37	STICKER		1
15	504 06 92-01	KIT		1
16	725 24 97-71	SCREW EHHM		1
17	734 11 72-01	WASHER		2
18	543 04 66-33	WASHER		1
19	543 04 47-32	RONDEL RESSOR 23X10,2X1/		2
20	732 25 20-01	HEXAGON LOCKING NUT		2
21	504 06 91-01	POINTER		1
22	731 23 20-01	HEXAGON NUT		2
23	725 25 05-51	SCREW EHHM		1
24	543 04 59-32	WHEEL		1
25	542 20 20-75	BUSHING		1
26	542 20 21-06	WASHER		1
28	725 23 66-71	SCREW EHHM		1
29	734 11 52-01	WASHER		1
30	725 53 68-01	SCREW IHSCM		2
31	731 71 20-51	HEXAGON NUT FLANGE		1

Go to Discount-Equipment.com to order your parts

HONDA GX 390



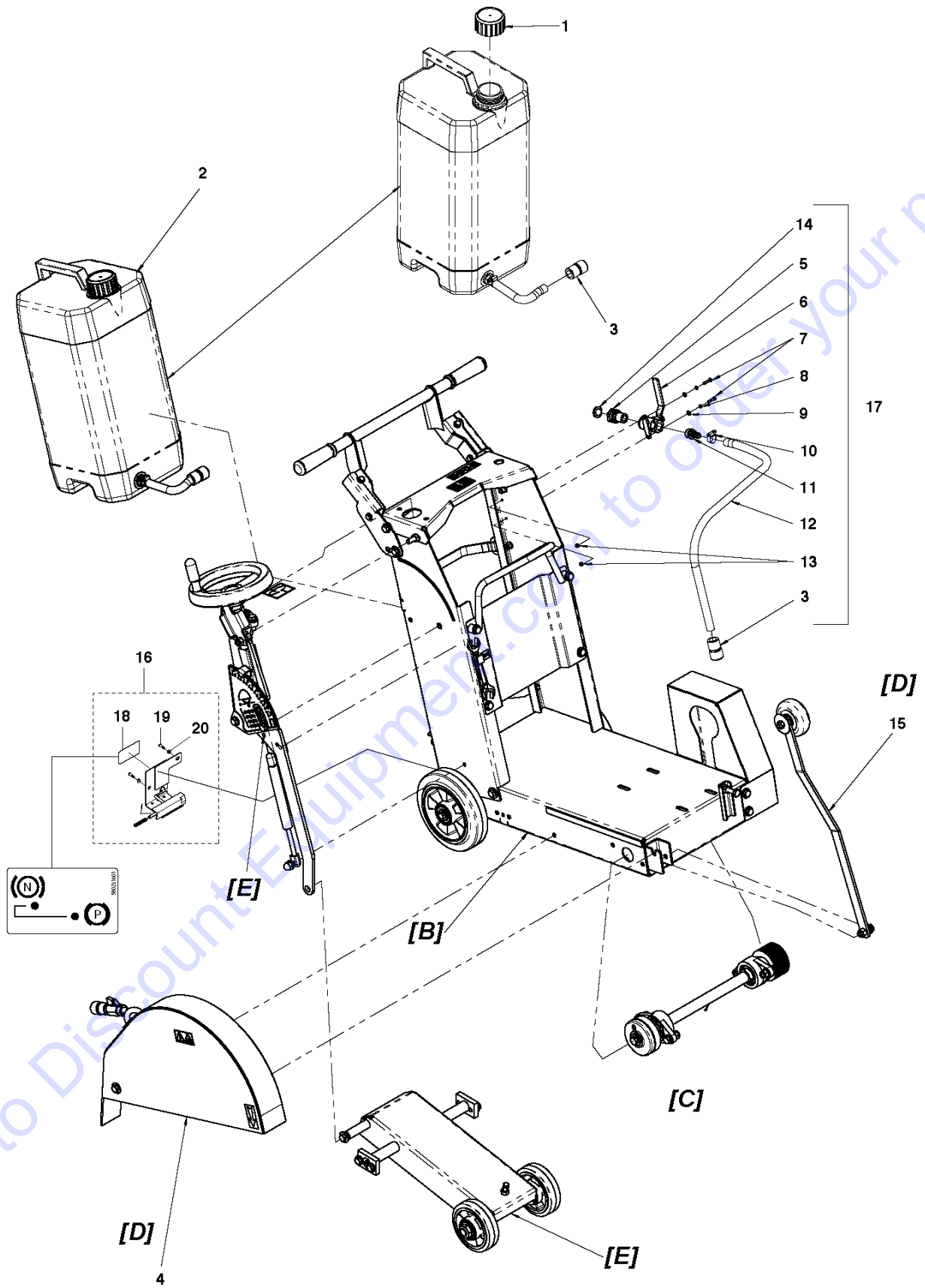
## ENGINE

FS400 LV, 2014-08

Ref	Part No	Description	Remark	QTY KIT
1	543 04 49-64	BELT		1
2	732 25 20-01	HEXAGON LOCKING NUT		4
3	734 11 74-41	WASHER		4
4	542 18 22-52	CORD		2
5	725 23 66-61	SCREW EHHFT		1
6	543 04 78-52	CLE A BOUGIE D.21 L160/		1
7	543 04 50-99	ATTACHE FIL D/9 ADH/		5
9	543 04 57-88	NOISE STICKER 108/		1
10	543 04 58-71	GRAPH STOP/		1
11	587 00 50-01	STOP SWITCH		1
12	543 04 78-41	BOUCHON ECHAPPEMENT/UNIVERSEL	HONDA	1
13	542 20 21-51	OIL DRAIN ASSY		1
15	728 74 45-05	SCREW IHSETM		2
16	543 04 65-72	PULLEY		1
17	587 61 38-01	PLATE KIT		1
18	725 25 02-51	SCREW EHHM		4
19	577 96 12-01	ENGINE	Honda GX390UTQXC9	1
19	574 18 11-03	ENGINE	Honda GX390H1-QXHQ	1

Go to Discount-Equipment.com to order your parts



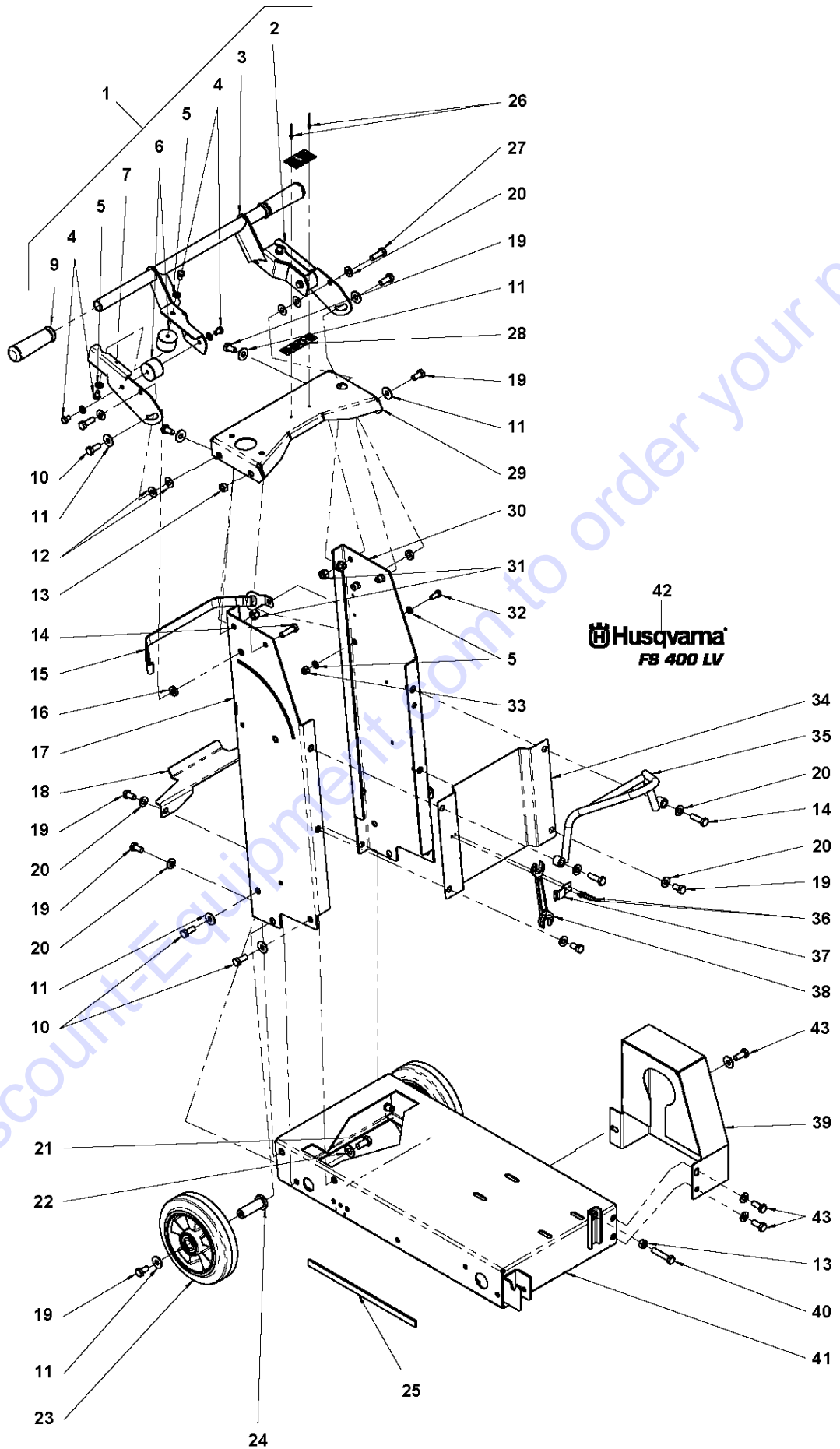


## FRAME

FS400 LV, 2014-08

Ref	Part No	Description	Remark	QTY	KIT
1	543 04 55-99	PLUG		1	
2	543 04 98-99	RESERVOIR		1	
3	543 04 56-12	QUICK COUPLING		2	
4	502 08 29-01	BLADE GUARD		1	
5	542 20 23-08	FITTING		1	
6	505 21 34-01	VALVE		1	
7	725 22 95-71	SCREW EHHM		2	
8	735 21 64-01	LOCKWASHER		2	
9	734 11 36-01	WASHER		2	
10	543 85 03-44	CLIP		1	
11	542 20 23-21	FITNG 1/2" MNPT X 12 DIA BARB		1	
12	543 04 55-80	TUY TRICOCLAIR AL 12*18/	1 Meter	1	
13	732 25 12-01	HEXAGON LOCKING NUT		2	
14	542 04 56-40	FS900T RING/		1	
15	504 06 92-01	KIT		1	
16	582 63 96-01	BRAKE		1	
17	542 20 23-15	SIDE LAMINATE	US	1	
19	725 24 91-71	SCREW EHHM		2	16
20	734 11 72-01	WASHER		2	16

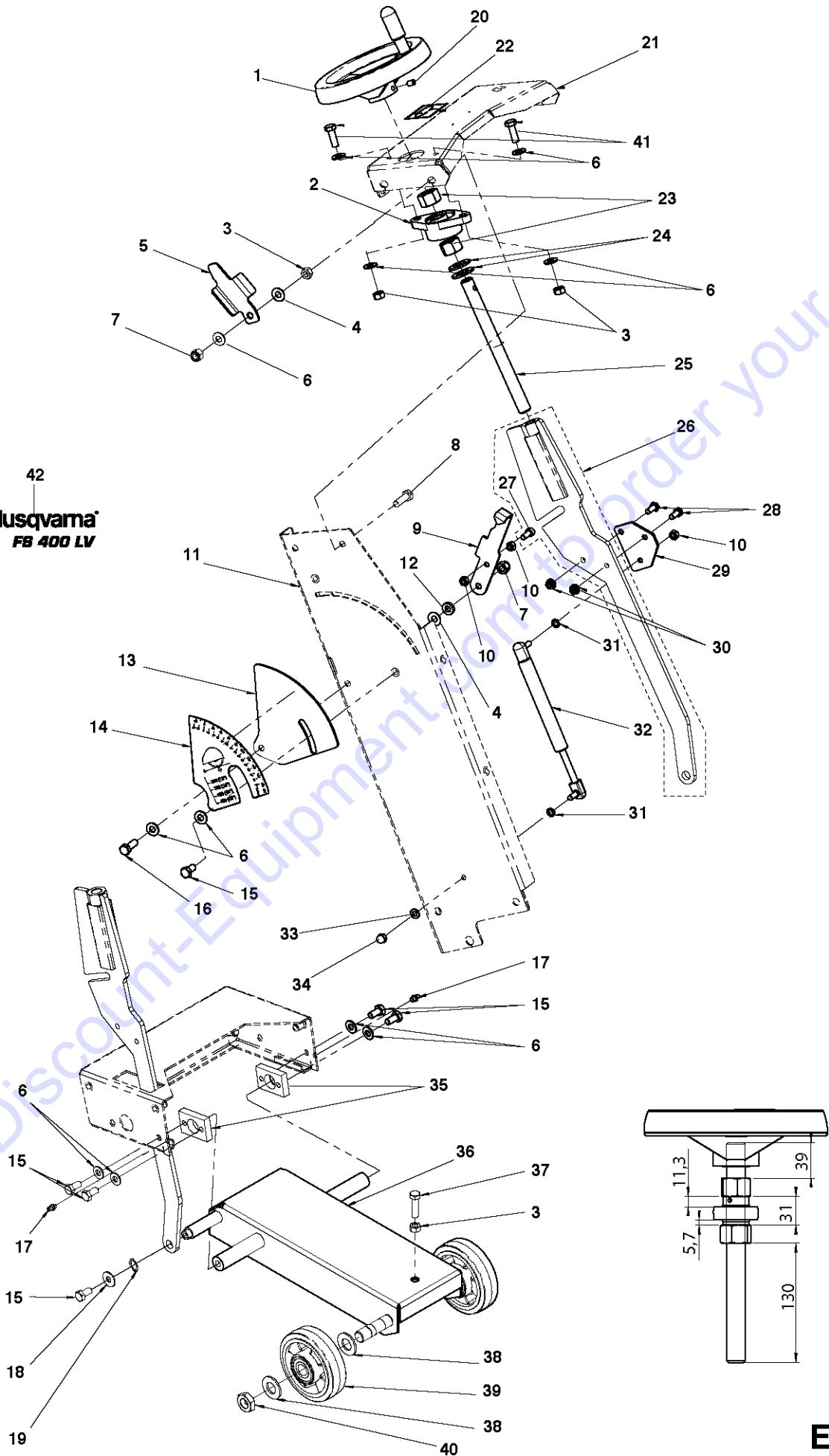
Go to Discount-Equipment.com to order your parts



Ref	Part No	Description	Remark	QTY KIT
1	585 24 71-01	HANDLE		1
2	544 95 11-01	ARM		1
3	581 79 39-02	HANDLE ASSY		1
4	725 24 47-71	SCREW EHHM		8
5	734 11 63-01	WASHER		10
6	581 81 28-01	ANTIVIBRATION ELEMENT		4
7	544 95 10-01	ARM		1
9	542 13 95-68	GRIP		2
10	725 24 93-71	SCREW EHHM		6
11	734 11 74-41	WASHER		11
12	543 04 47-32	RONDEL RESSOR 23X10,2X1/		4
13	731 23 20-01	HEXAGON NUT		2
14	725 24 97-71	SCREW EHHM		3
15	543 04 56-17	BELT		1
16	543 04 66-33	WASHER		2
17	544 95 05-01	SIDE PANEL		1
18	544 95 00-01	SUPPORT		1
19	725 24 91-71	SCREW EHHM		11
20	734 11 72-01	WASHER		10
21	725 25 34-71	SCREW EHHM		2
22	734 11 78-01	WASHER		2
23	543 04 59-51	WHEEL		2
24	543 04 25-15	WHEEL AXLE		2
25	543 04 60-68	BANDE NEO ADH 1 FACE 8*4/		1
26	722 78 18-03	RIVET		2
27	725 24 95-71	SCREW EHHM		2
28	543 04 58-53	GRAPHISME COMPO 97044/		1
29	504 06 85-01	CONSOLE		1
30	544 95 06-01	COVER	EU	1
30	544 95 06-04	SIDE PANEL	US	1
31	732 25 20-01	HEXAGON LOCKING NUT		2
32	725 24 51-71	SCREW EHHM		1
33	732 21 18-01	LOCK NUT		1
34	544 94 98-01	PROTECTIVE PLATE		1
35	544 94 99-01	LIFT BAIL		1
36	543 85 01-03	RIVET		2
37	543 04 62-03	RESSORT N[ 34365/		1
38	543 04 59-04	WRENCH		1
39	582 51 47-01	BELT GUARD		1
40	725 25 01-71	SCREW EHHM		1
41	544 95 03-01	FRAME		1
42	586 62 71-01	DECAL		1
44	502 08 30-01	LOCKWASHER		3

Go to Discounted Equipment.com to order your parts

42  
**Husqvarna**  
FB 400 LV



## HEIGHT ADJUSTMENT

FS400 LV, 2014-08

Ref	Part No	Description	Remark	QTY KIT
1	543 07 62-94	HANDLE		1
2	504 79 89-01	BEARING		1
3	731 23 20-01	HEXAGON NUT		4
4	543 04 47-32	RONDEL RESSOR 23X10,2X1/		2
5	543 07 66-51	BEFESTIGUNG		1
6	734 11 72-01	WASHER		11
7	732 25 20-01	HEXAGON LOCKING NUT		2
8	725 24 97-71	SCREW EHHM		1
9	543 07 45-15	HOEHENVERSTELLUNG		1
10	731 23 18-01	HEXAGON NUT		3
11	544 95 05-01	SIDE PANEL		1
12	543 04 66-33	WASHER		1
13	543 07 96-29	ADJUSTING SUPPORT D450FS400CS		1
14	543 07 96-19	STICKER		1
15	725 24 91-71	SCREW EHHM		6
16	725 24 95-71	SCREW EHHM		1
17	504 20 45-01	GREASE		2
18	734 11 74-41	WASHER		1
19	543 85 03-52	WASHER		1
20	728 74 47-05	SCREW IHSETM		1
21	504 06 85-01	CONSOLE		1
22	543 07 12-67	LABEL		1
23	543 04 47-72	NUT		2
24	543 07 63-29	WASHER		2
25	543 04 28-61	HEIGHT ADJUSTER		1
26	587 22 43-01	HEIGHT ADJUSTER		1
27	725 54 51-01	SCREW IHSCM		1
28	725 24 51-71	SCREW EHHM		2
29	543 07 45-26	GASFEDER		1
30	731 71 18-51	HEXAGON NUT FLANGE		2
31	735 11 64-01	SPRING WASHER		2
32	543 07 62-93	SPRING		1
33	734 11 63-01	WASHER		1
34	543 04 47-66	NUT		1
35	543 04 19-59	CLAMP		2
36	544 95 04-01	CARRIAGE		1
37	725 24 99-71	SCREW EHHM		1
38	543 04 02-17	WASHER		4
39	543 04 59-49	WHEEL		2
40	543 04 47-57	ECROU PLAT HM 20 BICHRO./		2
41	725 24 95-71	SCREW EHHM		2
42	586 62 71-01	DECAL		2

Go to Discount Equipment.com to order your parts

# PARTS FINDER

**Search Website  
by Part Number**



**Search Manual  
Library For Parts  
Manual & Lookup Part  
Numbers – Purchase  
or Request Quote**

**Search Manuals**

Enter your information to help us find the right parts manual for your machine.

\* Brand:

\* Model:

\* Serial:

\* Part Number:

SEARCH

**Can't Find Part or  
Manual? Request Help  
by Manufacturer,  
Model & Description**

**Parts Order Form**

Please fill in the following information to help us find the right part for your machine.

MANUFACTURER:

MODEL:

DESCRIPTION:

SEARCH

Discount-Equipment.com is your online resource for quality parts & equipment.

Florida: **561-964-4949** Outside Florida TOLL FREE: **877-690-3101**

**Need parts?**

Click on this link: <http://www.discount-equipment.com/category/5443-parts/> and choose one of the options to help get the right parts and equipment you are looking for. Please have the machine model and serial number available in order to help us get you the correct parts. If you don't find the part on the website or on one of the online manuals, please fill out the request form and one of our experienced staff members will get back to you with a quote for the right part that your machine needs.

We sell worldwide for the brands: Genie, Terex, JLG, MultiQuip, Mikasa, Essick, Whiteman, Mayco, Toro Stone, Diamond Products, Generac Magnum, Airman, Haulotte, Barreto, Power Blanket, Nifty Lift, Atlas Copco, Chicago Pneumatic, Allmand, Miller Curber, Skyjack, Lull, Skytrak, Tsurumi, Husquvarna Target, Stow, Wacker, Sakai, Mi-T-M, Sullair, Basic, Dynapac, MBW, Weber, Bartell, Bennar Newman, Haulotte, Ditch Runner, Menegotti, Morrison, Contec, Buddy, Crown, Edco, Wyco, Bomag, Laymor, EZ Trench, Bil-Jax, F.S. Curtis, Gehl Pavers, Heli, Honda, ICS/PowerGrit, IHI, Partner, Imer, Clipper, MMD, Koshin, Rice, CH&E, General Equipment, Amida, Coleman, NAC, Gradall, Square Shooter, Kent, Stanley, Tamco, Toku, Hatz, Kohler, Robin, Wisconsin, Northrock, Oztec, Toker TK, Rol-Air, APT, Wylie, Ingersoll Rand / Doosan, Innovatech, Con X, Ammann, Mecalac, Makinex, Smith Surface Prep, Small Line, Wanco, Yanmar