

CG200S

Spare Parts

Piezas de repuesto

Pieces de rechange



# PARTS FINDER

**Search Website  
by Part Number**



**Search Manual  
Library For Parts  
Manual & Lookup Part  
Numbers – Purchase  
or Request Quote**

**Search Manuals**

Enter your information to help us find the right parts manual for your machine.

\* Brand:

\* Model:

\* Serial:

\* Part Number:

SEARCH

**Can't Find Part or  
Manual? Request Help  
by Manufacturer,  
Model & Description**

**Parts Order Form**

Please fill in the following information to help us find the right part for your machine.

Manufacturer:	<input type="text"/>
Model:	<input type="text"/>
Description:	<input type="text"/>
Part Number:	<input type="text"/>
Quantity:	<input type="text"/>
Notes:	<input type="text"/>

Submit

Discount-Equipment.com is your online resource for quality parts & equipment.

Florida: **561-964-4949** Outside Florida TOLL FREE: **877-690-3101**

**Need parts?**

Click on this link: <http://www.discount-equipment.com/category/5443-parts/> and choose one of the options to help get the right parts and equipment you are looking for. Please have the machine model and serial number available in order to help us get you the correct parts. If you don't find the part on the website or on one of the online manuals, please fill out the request form and one of our experienced staff members will get back to you with a quote for the right part that your machine needs.

We sell worldwide for the brands: Genie, Terex, JLG, MultiQuip, Mikasa, Essick, Whiteman, Mayco, Toro Stone, Diamond Products, Generac Magnum, Airman, Haulotte, Barreto, Power Blanket, Nifty Lift, Atlas Copco, Chicago Pneumatic, Allmand, Miller Curber, Skyjack, Lull, Skytrak, Tsurumi, Husquvarna Target, Stow, Wacker, Sakai, Mi-T-M, Sullair, Basic, Dynapac, MBW, Weber, Bartell, Bennar Newman, Haulotte, Ditch Runner, Menegotti, Morrison, Contec, Buddy, Crown, Edco, Wyco, Bomag, Laymor, EZ Trench, Bil-Jax, F.S. Curtis, Gehl Pavers, Heli, Honda, ICS/PowerGrit, IHI, Partner, Imer, Clipper, MMD, Koshin, Rice, CH&E, General Equipment, Amida, Coleman, NAC, Gradall, Square Shooter, Kent, Stanley, Tamco, Toku, Hatz, Kohler, Robin, Wisconsin, Northrock, Oztec, Toker TK, Rol-Air, APT, Wylie, Ingersoll Rand / Doosan, Innovatech, Con X, Ammann, Mecalac, Makinex, Smith Surface Prep, Small Line, Wanco, Yanmar

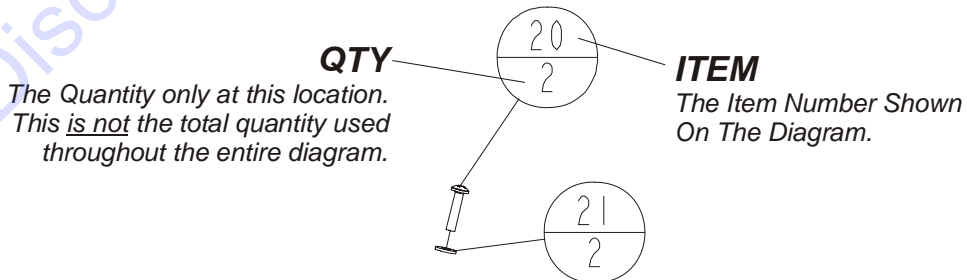
## PARTS LIST INDEX



For quick supply of spare parts and to avoid any lost time, it is essential to quote the data on the manufacturer's plate fixed to the machine and the part description to be replaced with every order.

<b>DESCRIPTION</b>	<b>PAGE</b>
Warnings .....	3 - 4
Decal Descriptions and Locations .....	5
Diagrams & Parts Lists & Wiring Diagrams:	
1. Diagram 1: Frame Assembly (All Models) .....	6 - 9
2. Diagram 2: Engine Group – 9 HP Honda .....	10 - 11
3. Diagram 3: Engine Group – 5.5 HP Honda .....	12 - 13
4. Diagram 4: Motor Group – 2 HP Electric .....	14 - 15
5. Diagram 5: Drum Assembly – ½” ID Star Cutters .....	16
6. Diagram 6: Drum Assembly – ½” ID Beam Cutters.....	17
7. Diagram 7: Drum Assembly – ½” ID Tungsten Carbide Cutters (6 mm) .....	18
8. Diagram 8: Drum Assembly – ½” ID Tungsten Carbide Cutters (15 mm) .....	19
9. Diagram 9: Drum Assembly – ¾” ID Star Cutters .....	20
10. Diagram 10: Drum Assembly – ¾” ID Beam Cutters.....	21
11. Diagram 11: Drum Assembly – ¾” ID Tungsten Carbide Cutters (6 mm) .....	22
12. Diagram 12: Drum Assembly – ¾” ID Tungsten Carbide Cutters (19 mm) ...	23
13. Diagram 13: Drum Assembly – Wire Brush.....	24
14. Diagram 14: Edger Attachment (Optional) .....	25
15. Diagram 15: Edger Attachment Assembly .....	26 - 27
16. Diagram 16: Wiring Diagram: 5.5 HP & 9 hp Honda Models .....	28
17. Diagram 17: Wiring Diagram: 2 HP Electric Model .....	29
Repair and Spare Parts.....	30
Additional Warnings .....	Back Page

### **Parts List Callout Designation:**



## SAFETY FIRST!!



### WARNINGS

**WARNING: FAILURE TO COMPLY WITH THESE WARNINGS AND INSTRUCTIONS COULD RESULT IN DEATH OR SERIOUS INJURY.**



Each machine is supplied with an operating instruction manual. Operators and maintenance people of this equipment must read and be familiar with the safety warnings in the operation manual. Failure to obey the warnings may result in serious injury or death. Follow instructions strictly to ensure long service in normal operation.



Read the entire operator's manual before operating this machine. Understand all the warnings, instructions and controls. If you do not have an operator's manual.



Always park the machine on a level surface with the engine "OFF" and the ignition switch set in the "OFF" position before performing any maintenance. Let the machine cool down! Disconnect battery!



The manufacturer accepts no responsibility caused by unsuitable use or modifications.



For repairs and service parts, contact Discount-equipment.



This saw was designed for certain applications only. DO NOT modify this saw or use for any application other than for which it was designed. If you have any questions relative to its application, DO NOT use the saw until you have contacted Discount-equipment and we have advised you.

# ¡SEGURIDAD ANTE TODO!

## ADVERTENCIAS

**ADVERTENCIA: EL NO RESPETAR ESTAS ADVERTENCIAS E INSTRUCCIONES DE OPERACION PUEDE PROVOCAR GRAVES LESIONES O LA MUERTE.**



Cada máquina se suministra con un manual de instrucciones de operación. Los operadores y los mecánicos de este equipo deben leer y familiarizarse con las advertencias de seguridad dadas en este manual. El no respetar las advertencias puede provocar graves lesiones o la muerte. Siga las instrucciones al pie de la letra para asegurar una larga vida de servicio durante operación normal. Si no tiene un manual del operador, llame a su concesionario Target más cercano. Si se necesitan ejemplares adicionales, llamar SIN CARGO al 1-800-288-5040.



Lea todo este manual y familiarícese con el funcionamiento de la máquina antes de ponerla en marcha. Entienda todas las advertencias, instrucciones y controles. Si no tiene un manual del operador, llame a su concesionario Target más cercano. Si se necesitan ejemplares adicionales, llamar SIN CARGO al 1-800-288-5040.



Siempre estacione la máquina en una superficie plana con el motor APAGADO y el interruptor de encendido puesto en la posición APAGADO (OFF) antes de hacer trabajos de mantenimiento en la máquina. ¡Deje que la máquina se enfríe! ¡Desconecte la batería! El fabricante no se hace responsable del uso o modificaciones indebidas!



El fabricante no se hace responsable del uso o modificaciones indebidas!



Para reparaciones y piezas de repuesto, póngase en contacto con el Discount-equipment.



Esta sierra fue diseñada para ciertas aplicaciones solamente. NO la modifique ni utilice para ninguna otra aplicación salvo aquéllas para las cuales fue diseñada. En caso de dudas respecto a su aplicación, NO use la sierra sin antes haber consultado por escrito a Discount-equipment y haber recibido nuestras indicaciones.

**DECAL DESCRIPTIONS AND LOCATIONS**  
**DESCRIPCIÓN DE CALCAMONIAS Y UBICACIONES**



**CG200S**

**542190723** Decal, HUSQVARNA CG200S  
 Location: Front of Frame  
 Quantity: 1, Models: All



**169065**, Decal, Muffler Is Hot!  
 Location: Top of Fuel Tank  
 Quantity: 1  
 Models: Gasoline Models Only

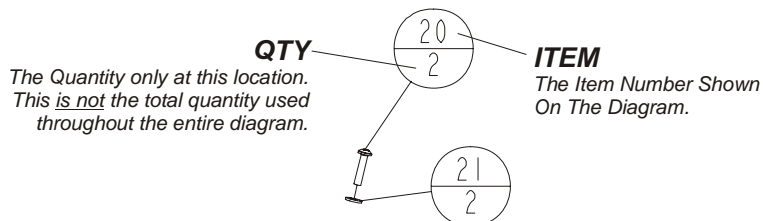


**167289**, Decal, Direction Arrow  
 Location: Top of Belt Guard  
 Quantity: 1, Models: All



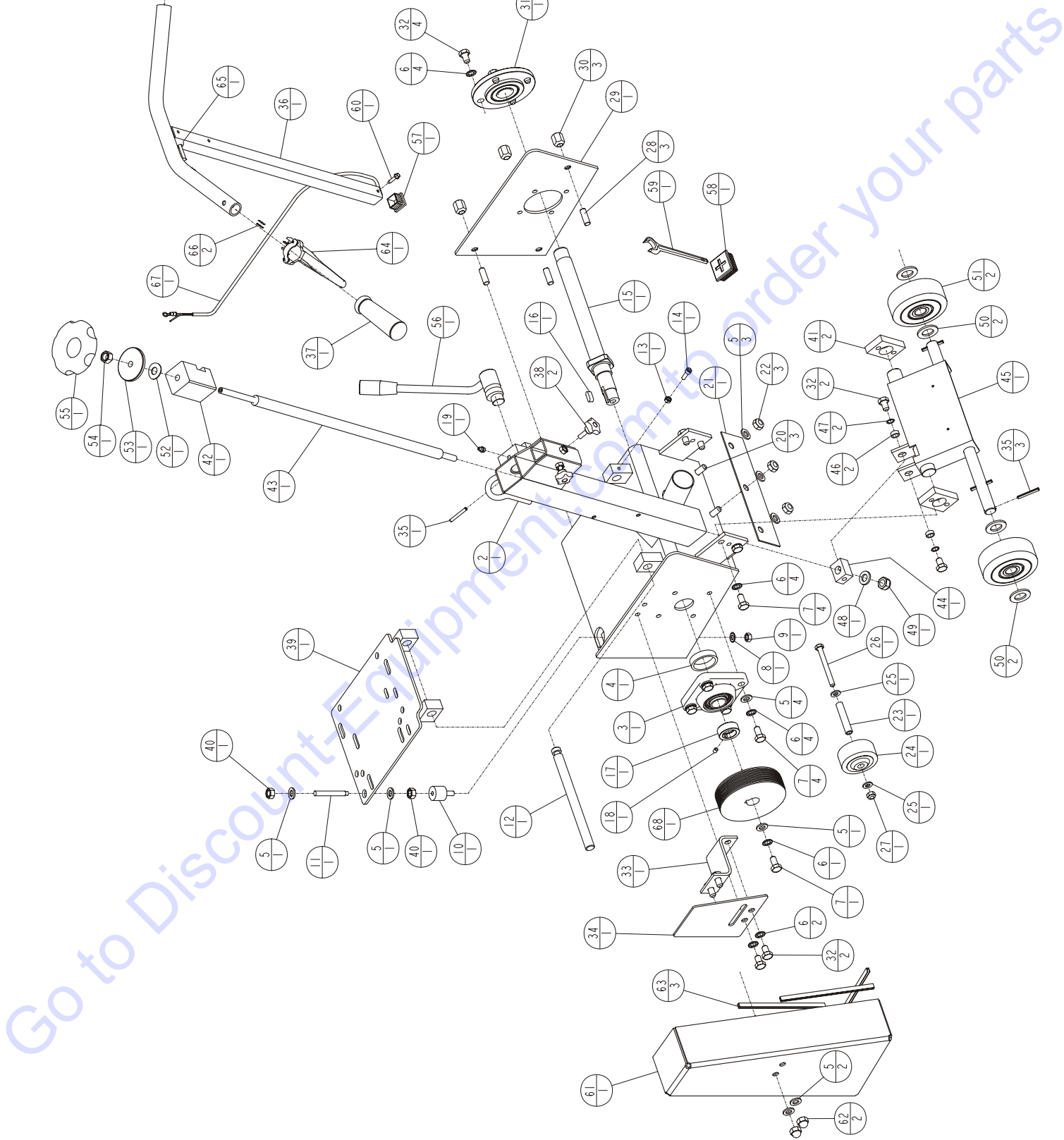
**177588**, Decal, WARNING  
 Location: Rear Side of Belt Guard  
 Quantity: 1, Models: All

**Parts List**  
**Callout Designation:**



# Diagram 1 – Frame Assembly (Less Head)

04.30.07



# Diagram 1 – Parts List - Frame Assembly, Less Head (Page 1 of 2)

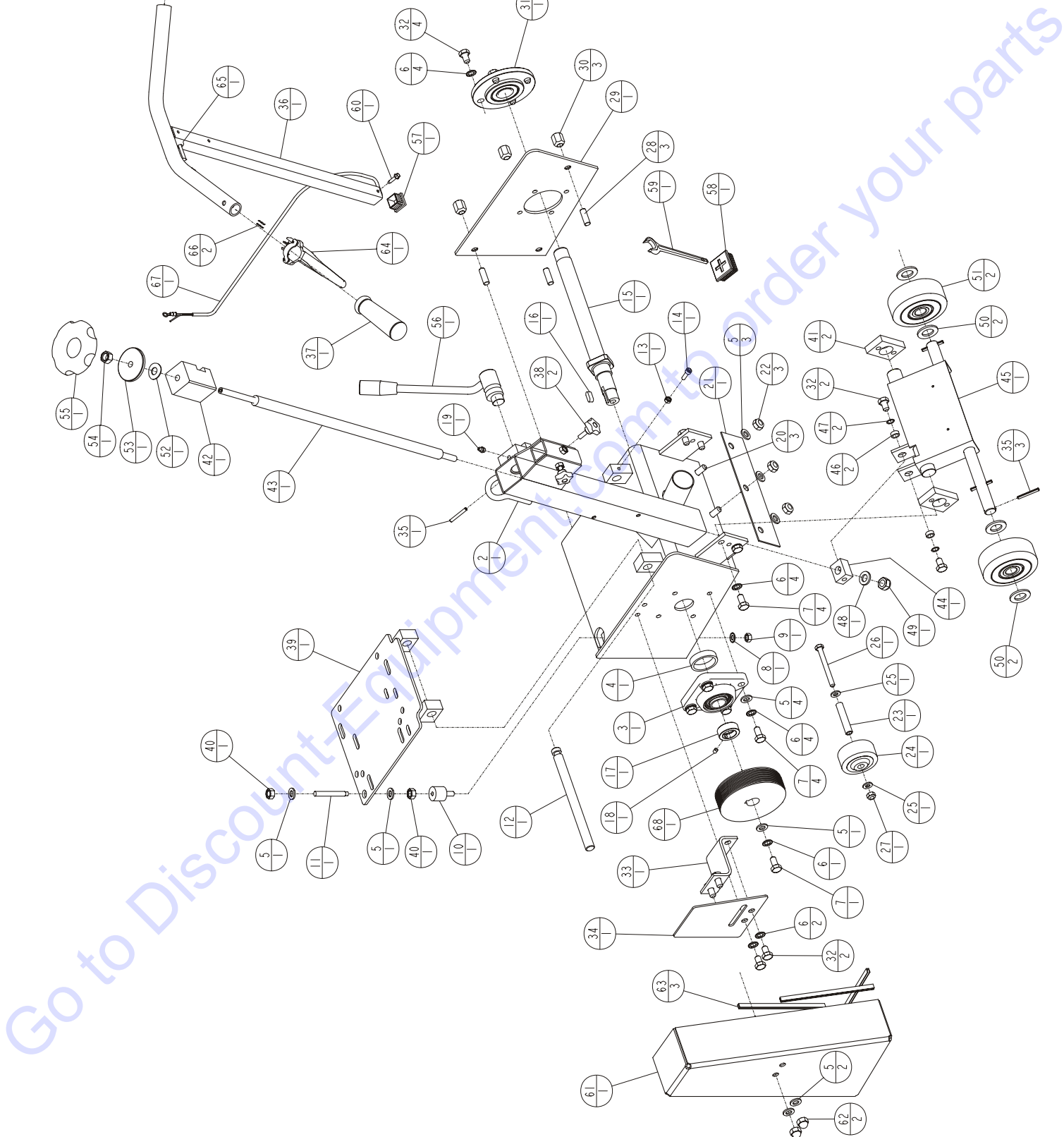
04.30.07

ITEM	P/N	DESCRIPTION	QTY
1	-----	CG200S Frame Assembly (Less Head)	1
2	173000	Chassis Weldment	1
3	173023	Bearing (Includes Items 17 & 18)	1
4	173022	Bearing Spacer	1
5	173014	Washer, Flat M10	12
6	173006	Lockwasher, External Tooth, M10	15
7	139744	Capscrew, Hex Hd M10 x 1.50 x 20	9
8	173019	Lockwasher, External Tooth, M8	1
9	172027	Nut, Hex Hd M8 x 1.25	1
10	173054	Rubber Support	1
11	173053	Tension Screw (5.5hp Honda & Electric Model)	1
	180768	Tension Screw (9hp Honda)	1
12	173052	Motor Support Shaft	1
13	172017	Nut, Hex Hd M6 x 1.00	1
14	173046	Capscrew, Soc Hd M6 x 1.0 x 20	1
15	173020	Main Shaft	1
16	173021	Key, 8 x 20 x 7	1
17	-----	Concentric Set Collar, 25mm ID (Incl. with Item 3)	1
18	-----	Setscrew, M6 x 1.0 x 6 (Incl. with Item 3)	1
19	173031	Grease Fitting, M8	1
20	139749	Capscrew, Hex Hd M10 x 1.50 x 25	3
21	173011	Splash Flap	1
22	139748	Locknut, Fiber M10 x 1.50	3
23	180769	Chassis Wheel Sleeve	1
24	173008	Chassis Wheel	1
25	173059	Washer, Flat M8	2
26	139756	Capscrew, Hex Hd M8 x 1.25 x 80	1
27	139738	Locknut, Fiber M8 x 1.25	1
28	173001	Stud, M10 x 1.5 x 30	3
29	173002	Side Guard	1
30	173003	Lug Nut, M10	3
31	173004	Bearing Plate Assembly	1
32	173005	Capscrew, Hex Hd M10 x 1.50 x 16	8
33	173027	Belt Guard Support Weldment	1
34	180812	Belt Guard Plate, Std (Gas Models Only)	1
35	173033	Pin, Roll 5 O.D. x 40	4
36	173043	Handle Weldment	1
37	139568	Grip, Handle	2
38	173048	Hand Knob	2
39	180822	Engine Base Modified	1
40	139750	Nut, Hex Hd M10 x 1.50	2
41	173030	Pivot Block	2
42	173039	Slide, Connecting Rod	1
43	173040	Connecting Rod	1
44	173041	Bearing Block, Connecting Rod	1
45	173032	Height Adjustment Base Weldment	1



# Diagram 1 – Frame Assembly (Less Head) - Continued

04.30.07

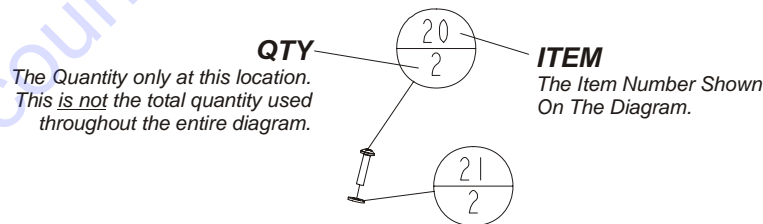


# Diagram 1 – Parts List - Frame Assembly, Less Head (Page 2 of 2)

05.02.07

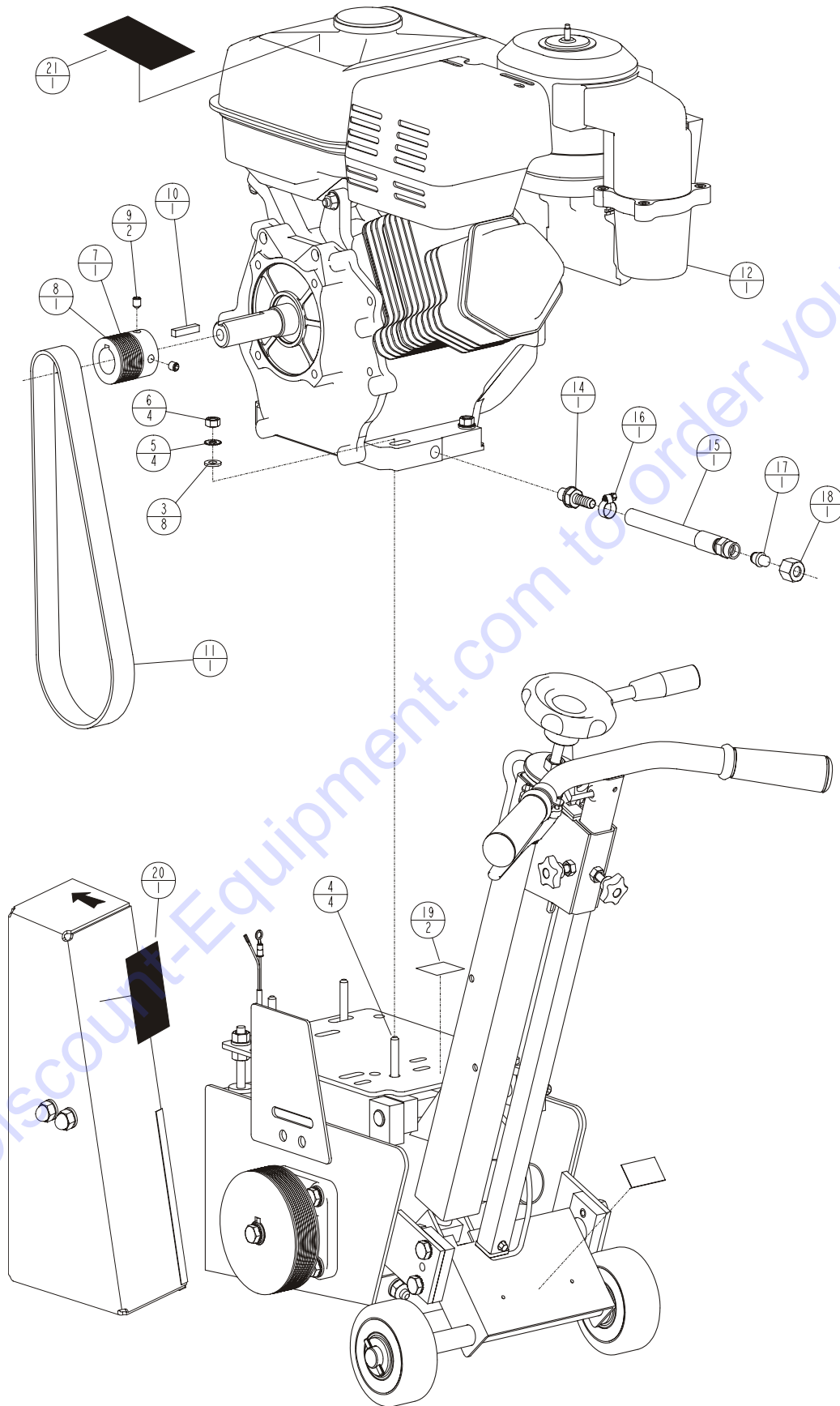
ITEM	P/N	DESCRIPTION	QTY
46	177950	Bearing Spacer	2
47	177949	Bearing Washer	2
48	173042	Washer, Flat M12	1
49	139742	Locknut, Fiber M12 x 1.75	1
50	173035	Washer, Flat M20	4
51	173034	Wheel, Height Adjustment	2
52	173038	Washer, Spring 33OD x 13ID x 1.5mm	1
53	173037	Nut, Connecting Rod	1
54	173009	Nut, Hex Hd M12 x 1.75	1
55	173036	Knob, Connecting Rod	1
56	190225	Cam Lever Assembly	1
57	180783	Handle End Cap	1
58	173050	Wrench Holder	1
59	169676	Wrench - 16mm (Early Models)	1
60	180800	Screw, Hex Wash Hd Self Tap M4.8 x 1.6 x 20	1
61	543059373	Belt Guard Cover (5.5HP & 9HP Honda)	1
--	504581701	Belt Guard Cover (Electric - <b>See Diagram 4</b> )	1
62	173029	Nut, Dome M10	2
63	180785	Trim, Belt Guard Cover	3
64	180797	Deadman Lever Assy (Gas Models Only)	1
65	180784	Grommet	1
66	180801	Female Connector (Gas Models Only)	2
67	180802	Deadman Lever Cable (Gas Models Only)	1
68	173025	Shaft Pulley	1

## Parts List Callout Designation:



# Diagram 2 – Engine Group, 9HP Honda

04.30.07

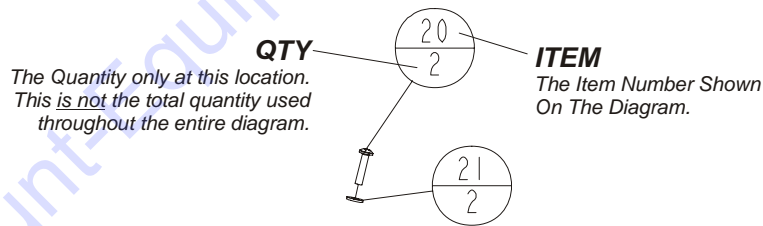


## Diagram 2 – Parts List – Engine Group, 9HP Honda

04.30.07

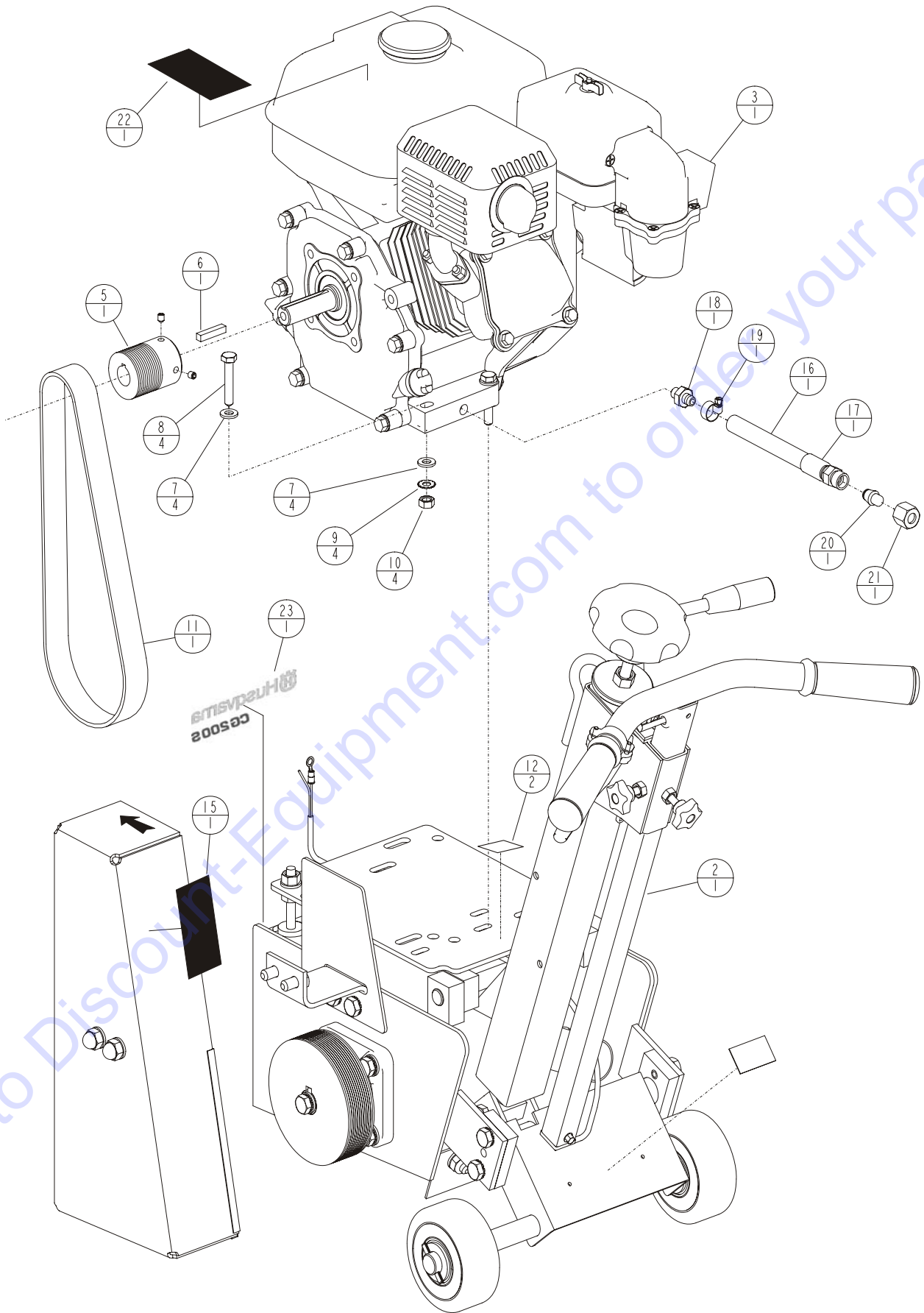
ITEM	P/N	DESCRIPTION	QTY
1	-----	CG200S Assembly (Less Head), 9hp Honda	1
	-----	Loose Engine Parts, 9hp Honda	1
3	173059	Washer, Flat M8	8
4	173058	Capscrew, Hex Hd M8 x 1.25 x 45	4
5	173019	Lockwasher, External Tooth, M8	4
6	172027	Nut, Hex Hd M8 x 1.25	4
7	187224	Engine Pulley w/SS (9hp Honda)(Includes Item8-9)	1
9	020550	Screw, Set Soc Cup Pt .312-18UNC x .375	2
10	020067	Key, Square .250 x 1.25 Lg	1
11	187223	Belt, Poly-V - 12J320	1
12	177819	Engine, 9hp Honda GX290 Gasoline	1
13	043735	Oil, 10W30 [Qty: 1.15 Quart(9hp), .63 Quart(5.5hp)]	
14	167133	Adapter, M12 x 10mm Hose Barb	1
15	167305	Hose Assembly, Oil Drain	1
16	020049	Hose Clamp, Worm Drive	1
17	167306	Cap, Blanking	1
18	167622	Tube Nut, M16	1
19	-----	Model & Serial Name Plate	2
20	542190723	Decal, HUSQVARNA / CG200S	1
21	542169065	Decal, Muffler Is Hot	1

### Parts List Callout Designation:



# Diagram 3 – Engine Group, 5.5HP Honda

04.30.07

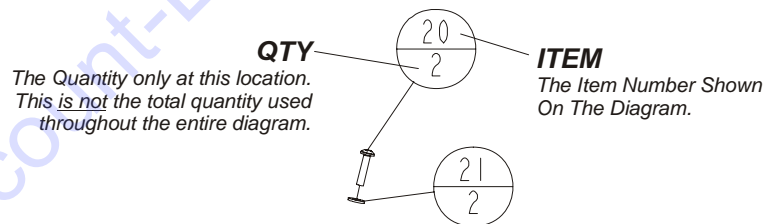


### Diagram 3 – Parts List – Engine Group, 5.5HP Honda

04.30.07

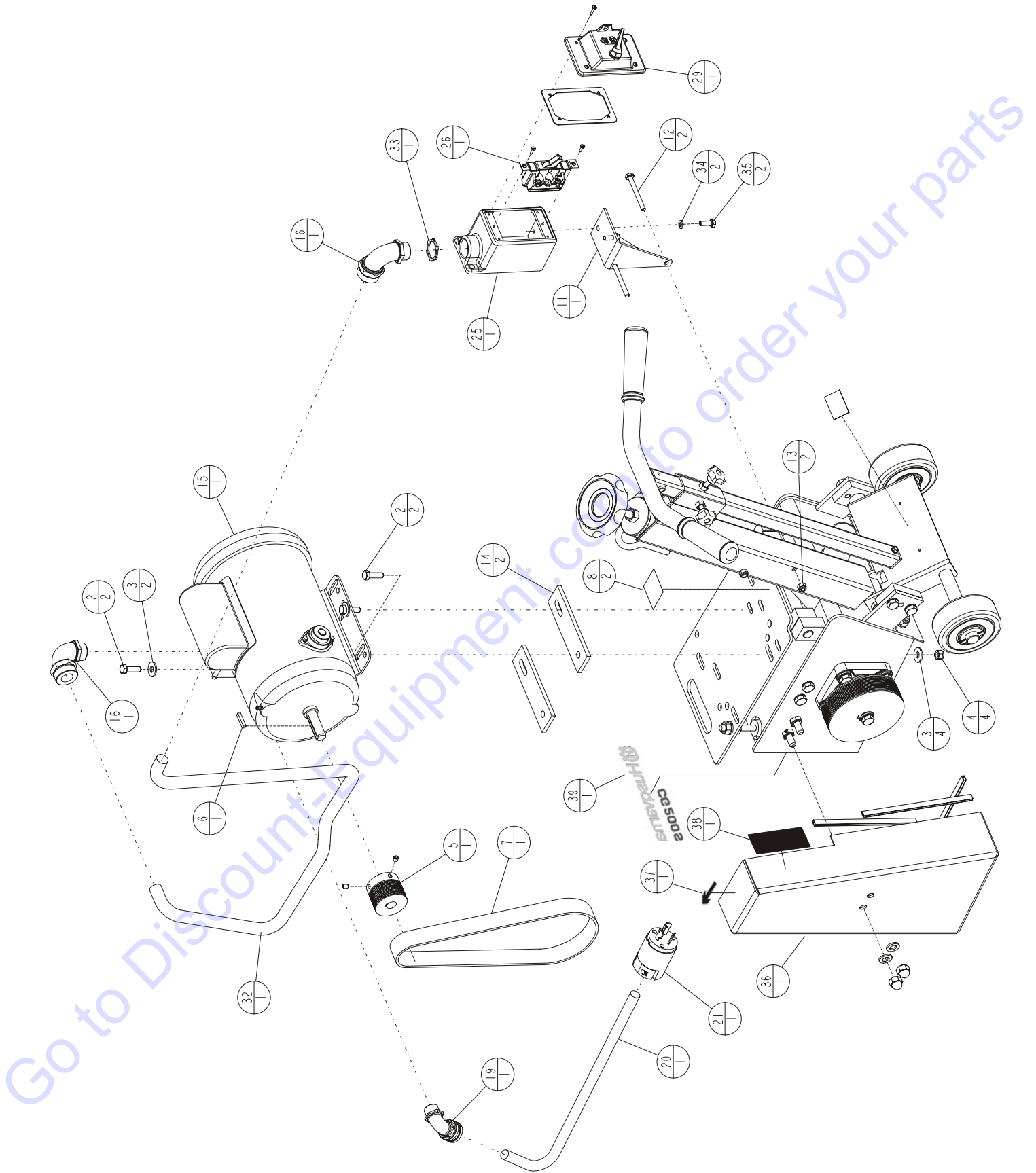
ITEM	P/N	DESCRIPTION	QTY
1	-----	CG200S (Less Head), 5.5hp Honda	1
2	173064	CG200S Frame Assembly (Less Head)	1
3	173098	Engine, 5.5hp Honda GX160 Gasoline	1
	-----	Loose Engine Parts, 5.5hp Honda	1
5	173057	Pulley, w/SS (5.5hp Honda)	1
	139772	Screw, Set Soc Cup Pt M8 x 10	2
6	020067	Key, Square .250 x 1.25 Lg	1
7	173059	Washer, Flat M8	8
8	173058	Capscrew, Hex Hd M8 x 1.25 x 45	4
9	173019	Lockwasher, External Tooth, M8	4
10	172027	Nut, Hex Hd M8 x 1.25	4
11	173026	Belt, Poly-V, 300J12	1
12	-----	Model & Serial Name Plate	2
13			
14	043735	Oil, 10W30 [Qty: 1.15 (9Hp); Qty: .63 Quart (5.5Hp)]	
15	046127	Decal, Caution	1
16	167435	Hose Assembly, Oil Drain (Includes Items 17-21)	1
17	167305	Hose Assembly, Oil Drain	1
18	177382	Adapter Fitting, M10 x 1.25 x .38 Hose Barb	1
19	020049	Hose Clamp, Worm Drive	1
20	167306	Cap, Blanking	1
21	167622	Tube Nut, M16	1
22	542169065	Decal, Muffler Hot	1
23	542190723	Decal, HUSQVARNA / CG200S	1

### Parts List Callout Designation:



# Diagram 4 – Electric Motor, 2 HP

05.02.07



## Diagram 4 – Parts List – Motor Group, 2 HP Baldor Electric

05.02.07

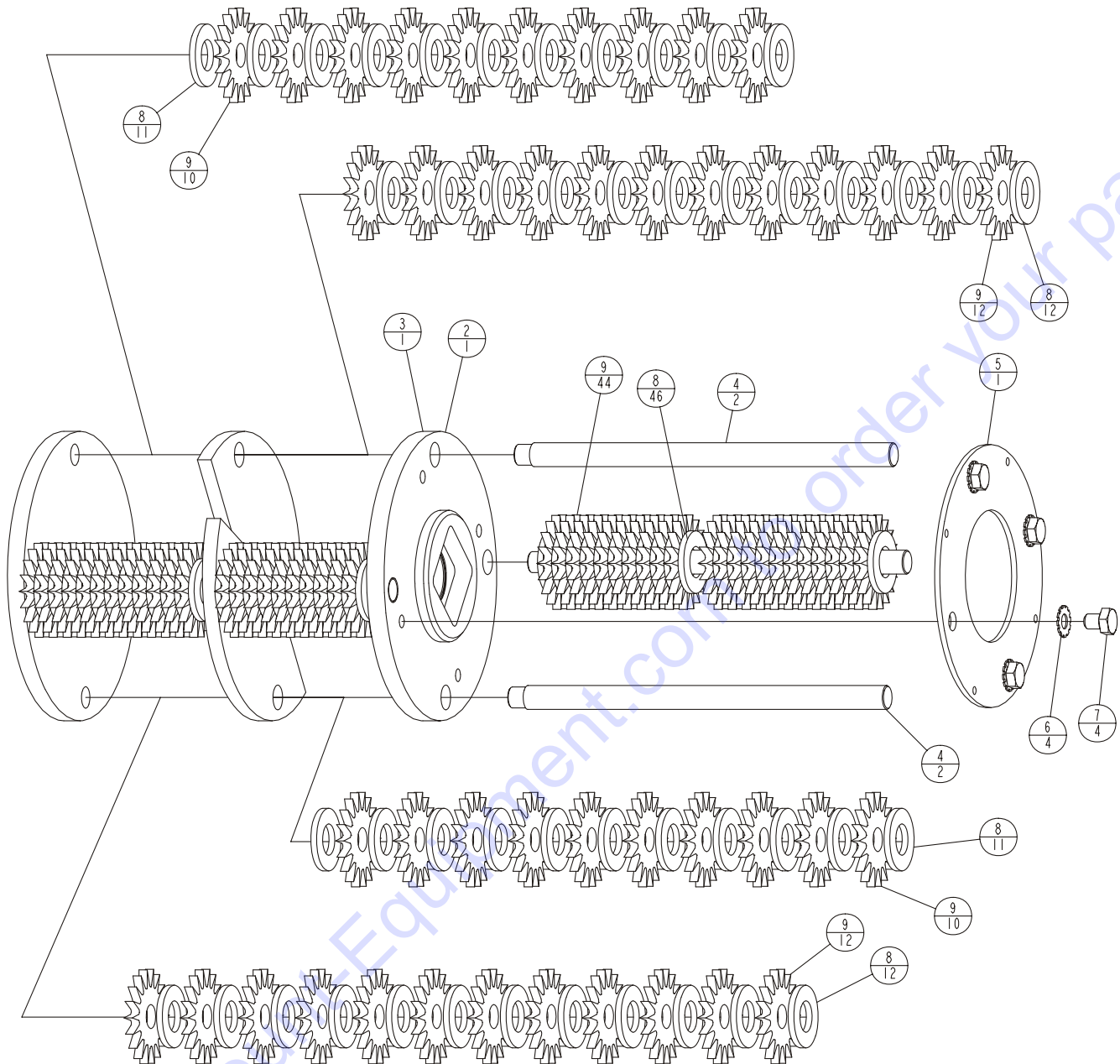
INDEX	P/N	DESCRIPTION	QTY
1	-----	CG200S Assy (Less Hd), 2Hp,115/208-230/60	1
2	020373	Capscrew, Hex Hd .312-18UNC x 1.50	4
3	020742	Washer, Flat .313 Dia	8
4	020197	Locknut, Fiber .3125-18UNC	4
5	173113	Pulley, w/SS	1
	020541	Screw, Set Soc Cup Pt .250-20 x .375	2
6	020060	Key, Square .188 x 1.00 Lg	1
7	173026	Belt, Poly-V, 300J12	1
8	-----	Model & Serial Name Plate	2
9			
10	177588	Decal, Warning Large	1
11	504581601	Bracket, Switch	1
12	020458	Capscrew, Hex Hd .250-20UNC x 2.50	2
13	020195	Locknut, Fiber .250-20UNC	2
14	174962	Spacer, Bearing	4
15	180824	Motor & Switch Assembly, ¾ NPT	1 (See Note A)
16	180815	Connector, 90 Degree, 3/4 NPT (w/strain relief)	1
17	180818	Ring Terminal, 12-10 Insulated #8 Stud	1
18	170075	Wire Connector, Red	3
19	030072	Connector, 90 Degree, 1/2 NPT (w/strain relief)	1
20	180808	Cable, 12-3 Conductor x 26 Inches Lg	1
21	169590	Plug, L6-20P (20A, 250V)	1
22	-----	Decal, Motor Wired For	1
23	046326	Decal, Caution-Ground	1
24	046327	Decal, Cords	1
25	180814	Switch Box, 3/4NPT	1
26	161581	Switch 30A, 250V	1
27	180818	Ring Terminal, 12-10 Insulated #8 Stud	1
28	030085	Fork Terminal, 12-10GA	4
29	032541	Cover Assembly, Dust Proof Switch Box	1
30	020205	Locknut, Fiber .750-10UNC	1
31	180815	Connector, 90 Degree, 3/4 NPT (w/strain relief)	1
32	180809	Cable, 12-5 Conductor x 35 Inches Lg	1
33	176953	Locknut, 3/4 Conduit	1
34	020784	Lockwasher, Split .250	2
35	020370	Capscrew, Hex Hd .250-20UNC x .75	2
36	504581701	Cover, Belt Guard (Electric Only)	1
37	167289	Decal, Direction Arrow	1
38	046127	Decal, Caution	1
39	542190723	Decal, HUSQVARNA / CG200S	1

### Notes:

A. Motor and Switch (Item 15) Also Includes Items 16, 20, 21, 25, 26, 29, 32, 33).



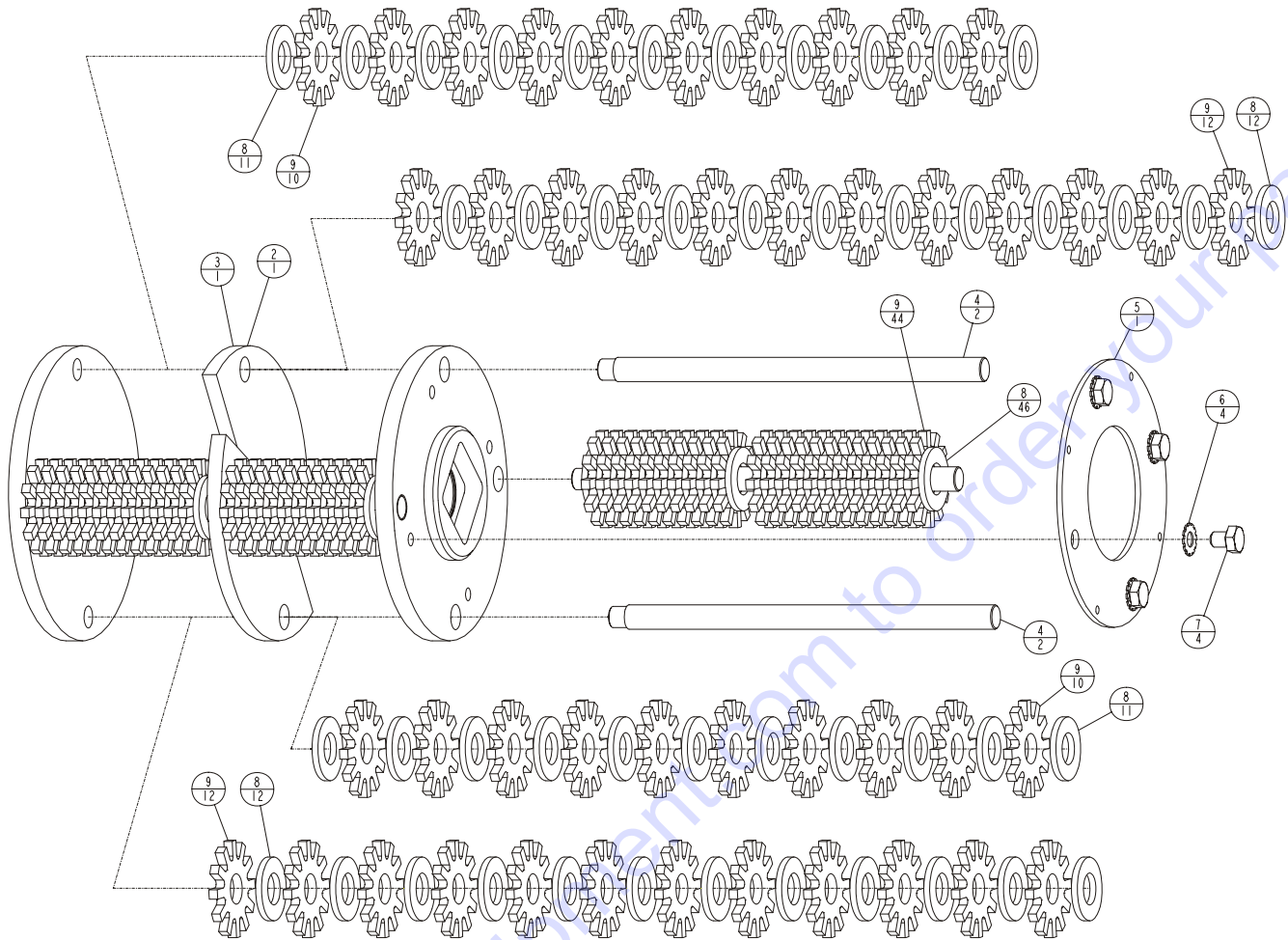
**Diagram 5 – Drum Assembly, ½” ID Star Cutters**



**Diagram 5 – Parts List – Drum Assembly, ½” ID Star Cutters**

ITEM	P/N	DESCRIPTION	QTY
1	187031	Star Head Assembly, CG200S	1
2	187057	Drum Assembly, CG200S	1
3	180720	Drum Weldment, CG200S	1
4	180721	Cutters Shaft	4
5	180718	Stop Washer	1
6	173019	Lockwasher, External Tooth, M8	4
7	173018	Capscrew, Hex Hd M8 x 1.25 x 10mm (Full Thread)	4
8	020767	Washer, Flat .625 SAE	108
9	177826	Star Cutter Wheel	108

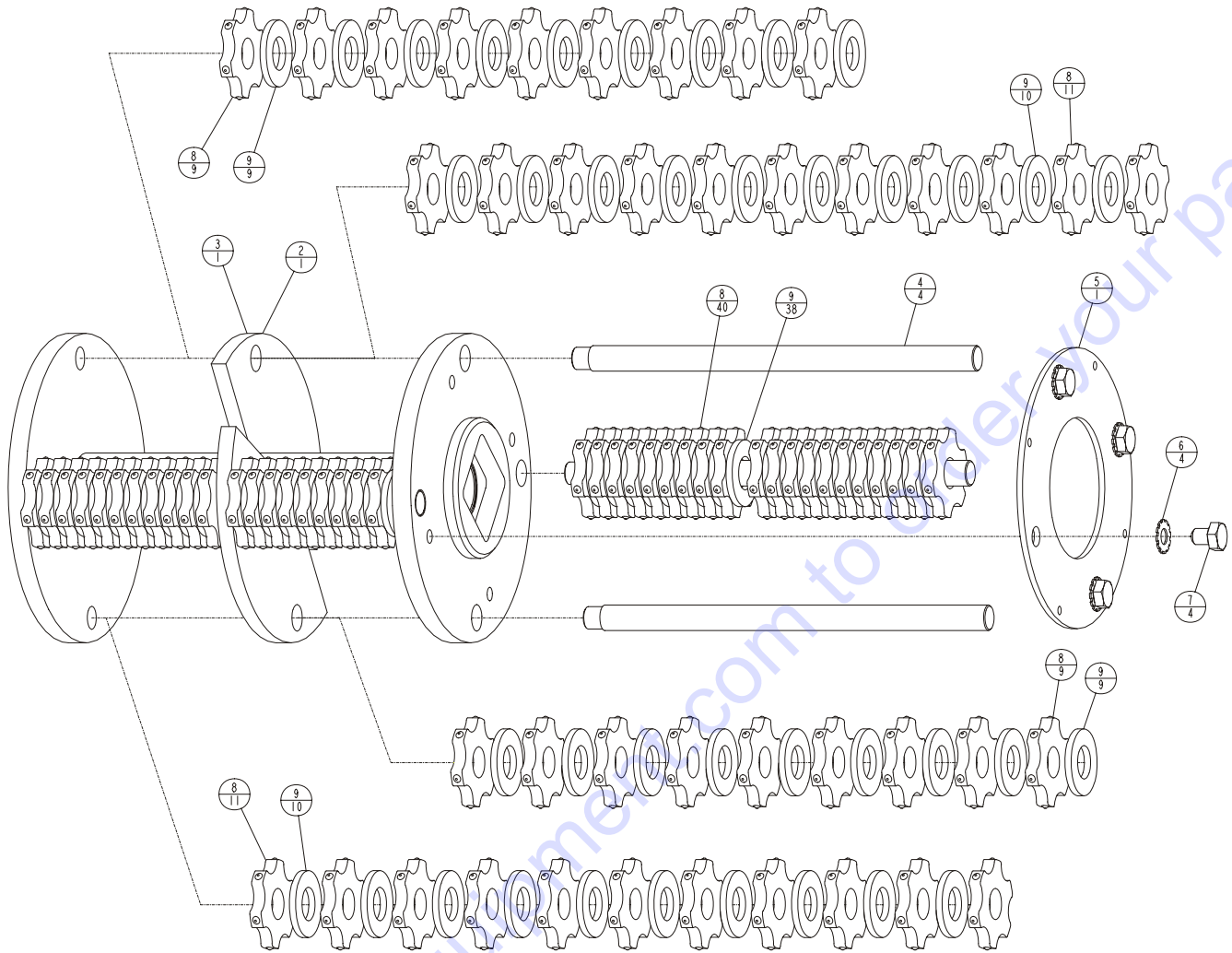
### Diagram 6– Drum Assembly, 1/2" ID Beam Cutters



### Diagram 6– Parts List - Drum Assembly, 1/2" ID Beam Cutters

ITEM	P/N	DESCRIPTION	QTY
1	187032	Beam Head Assembly	1
2	187057	Drum Assembly, CG200S	1
3	180720	Drum Weldment, CG200S	1
4	180721	Cutters Shaft	4
5	180718	Stop Washer	1
6	173019	Lockwasher, External Tooth, M8	4
7	173018	Capscrew, Hex Hd M8 x 1.25 x 10 (Full Thread)	4
8	020767	Washer, Flat .625 SAE	108
9	177828	Beam Cutter Wheel	108

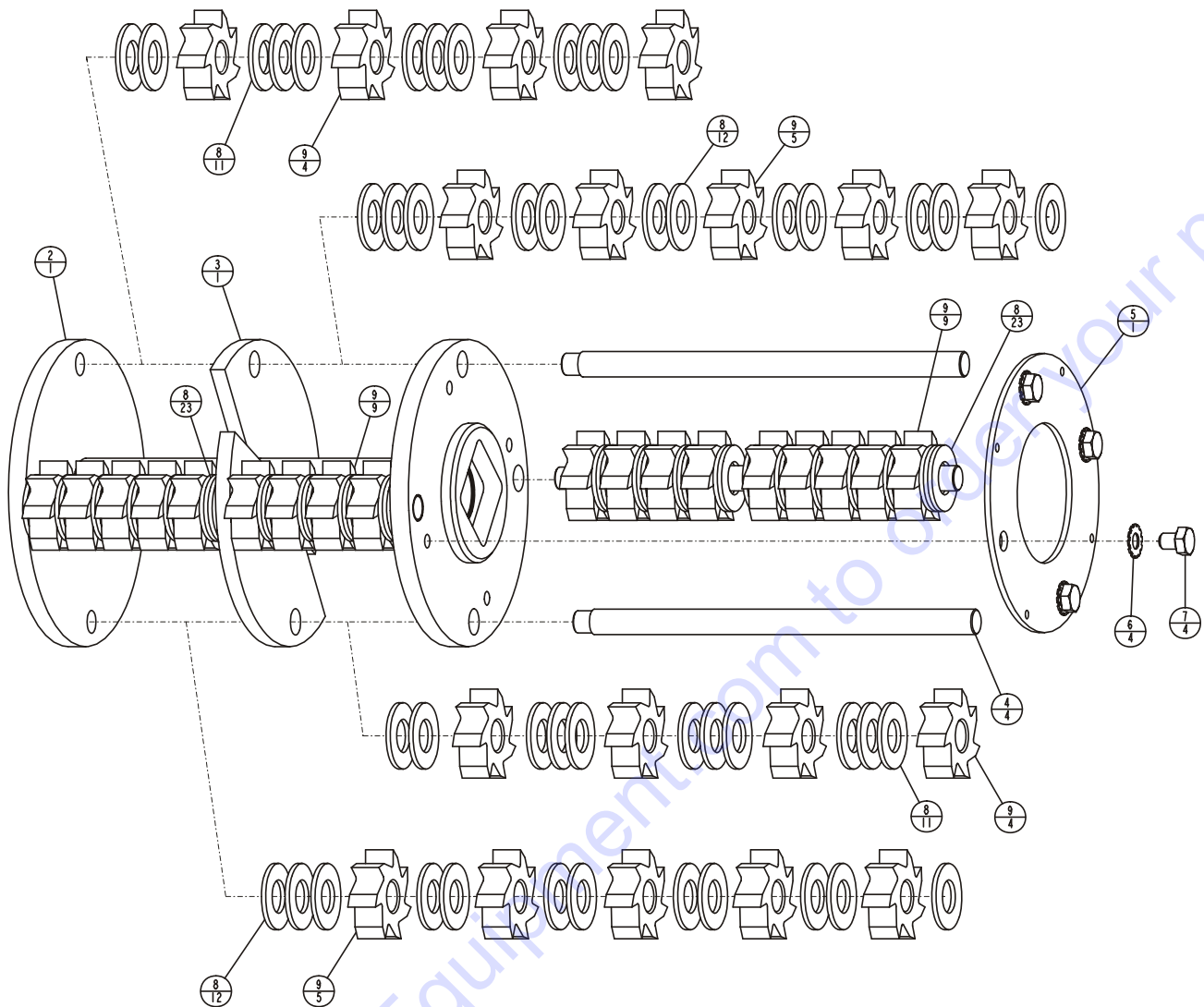
**Diagram 7 – Drum Assembly, ½” ID Tungsten Cutters (6 mm Wide)**



**Diagram 7 – Parts List - Drum Assembly, ½” ID Tungsten Cutters (6mm Wide)**

ITEM	P/N	DESCRIPTION	QTY
1	187033	TC Head Assembly	1
2	187057	Drum Assembly, CG200S	1
3	180720	Drum Weldment, CG200S	1
4	180721	Cutters Shaft	4
5	180718	Stop Washer	1
6	173019	Lockwasher, External Tooth, M8	4
7	173018	Capscrew, Hex Hd M8 x 1.25 x 10 (Full Thread)	4
8	177830	TC Cutter Wheel	88
9	020767	Washer, Flat .625 SAE	100

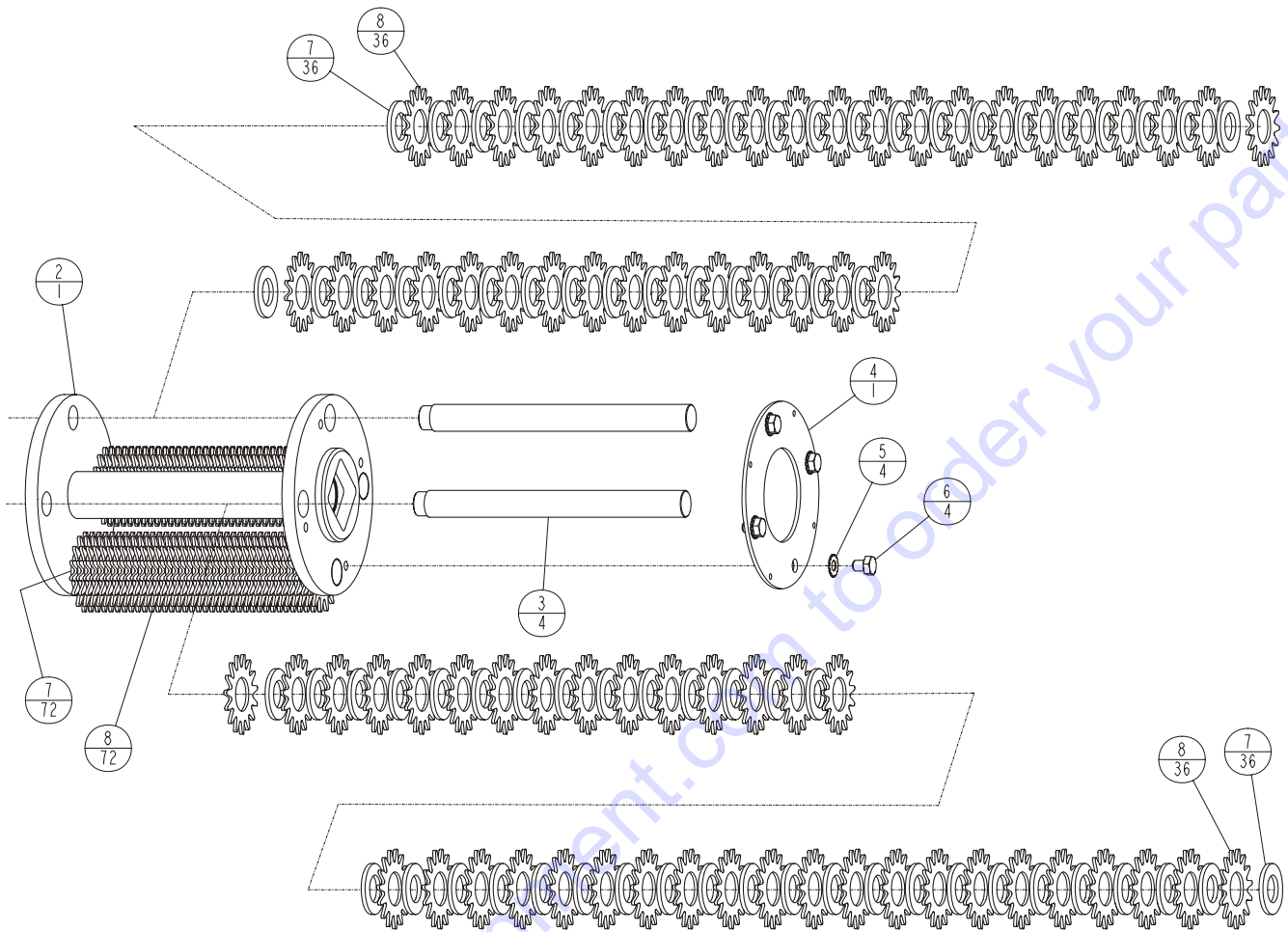
**Diagram 8 – Drum Assembly, ½” ID Tungsten Cutters (15 mm Wide)**



**Diagram 8 – Parts List - Drum Assembly, ½” ID Tungsten Cutters (15 mm Wide)**

ITEM	P/N	DESCRIPTION	QTY
1	187034	Tungsten Carbide Head Assembly, 15	1
2	187057	Drum Assembly, CG200S	1
3	180720	Drum Weldment, CG200S	1
4	180721	Cutters Shaft	4
5	180718	Stop Washer	1
6	173019	Lockwasher, External Tooth, M8	4
7	173018	Capscrew, Hex Hd M8 x 1.25 x 10 (Full Thread)	4
8	020767	Washer, Flat .625 SAE	92
9	187035	Tungsten Carbide Cutter Wheel, 15	36

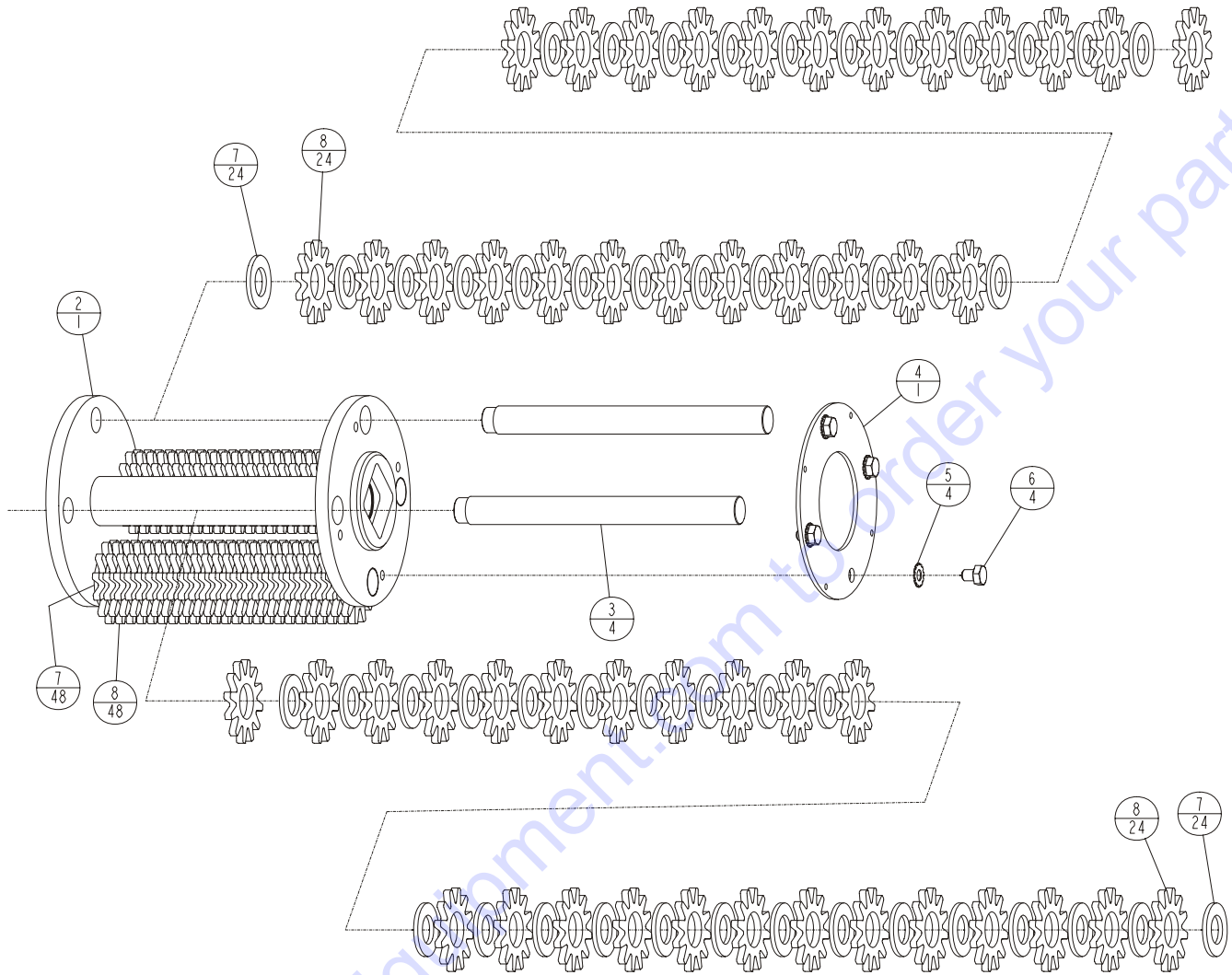
### Diagram 9 – Drum Assembly, 3/4” ID Star Cutters



### Diagram 9 – Parts List – Drum Assembly, 3/4” ID Star Cutters

ITEM	P/N	DESCRIPTION	QTY
1	173089	Star Cutter Head Assembly, 3/4 Shaft	1
2	173015	Drum Assembly, 1 Inch Shaft	1
3	173016	Cutters Shaft, 1 Inch Shaft	4
4	173017	Cutter Shaft Retaining Plate	1
5	173019	Lockwasher, External Tooth, M8	4
6	173018	Capscrew, Hex Hd M8 x 1.25 x 10 (Full Thread)	4
7	020768	Washer, Flat .75 SAE	144
8	173086	Star Cutter Wheel, 3/4" Shaft	144

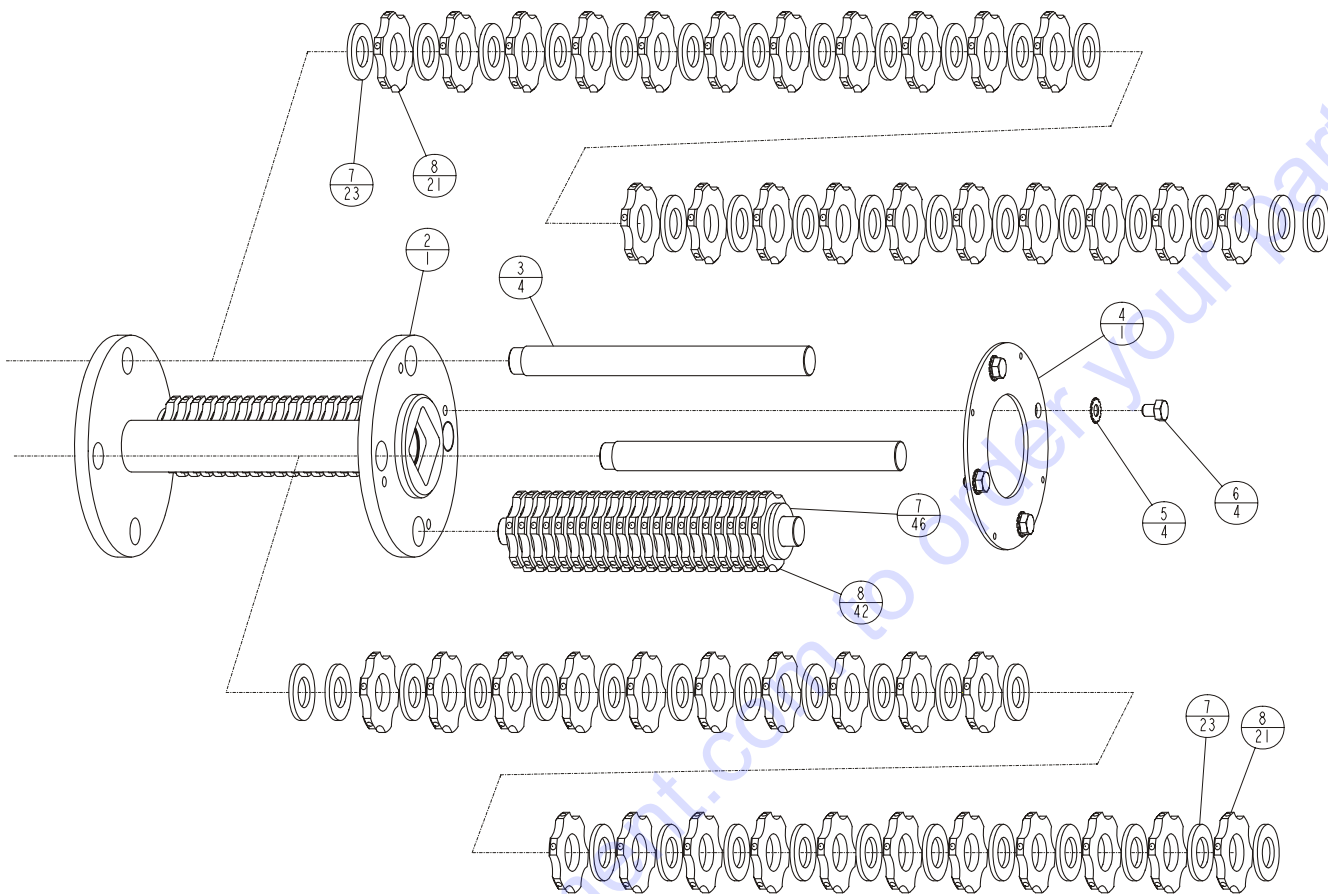
### Diagram 10 – Drum Assembly, 3/4" ID Beam Cutters



### Diagram 10 – Parts List – Drum Assembly, 3/4" ID Beam Cutters

ITEM	P/N	DESCRIPTION	QTY
1	173090	Beam Cutter Head Assembly, 3/4 Shaft	1
2	173015	Drum Assembly, 1 Inch Shaft	1
3	173016	Cutters Shaft, 1 Inch Shaft	4
4	173017	Cutter Shaft Retaining Plate	1
5	173019	Lockwasher, External Tooth, M8	4
6	173018	Capscrew, Hex Hd M8 x 1.25 x 10 (Full Thread)	4
7	020768	Washer, Flat .75 SAE	96
8	173085	Beam Cutter Wheel, 3/4" Shaft	96

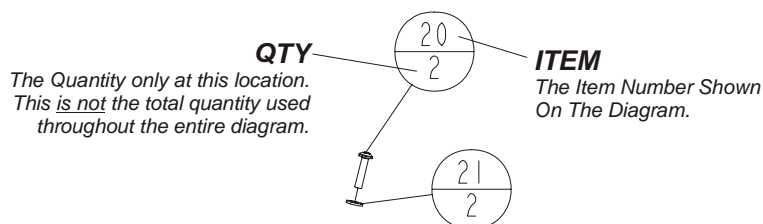
**Diagram 11 – Drum Assembly, 3/4” ID Tungsten Cutters (6mm Wide)**



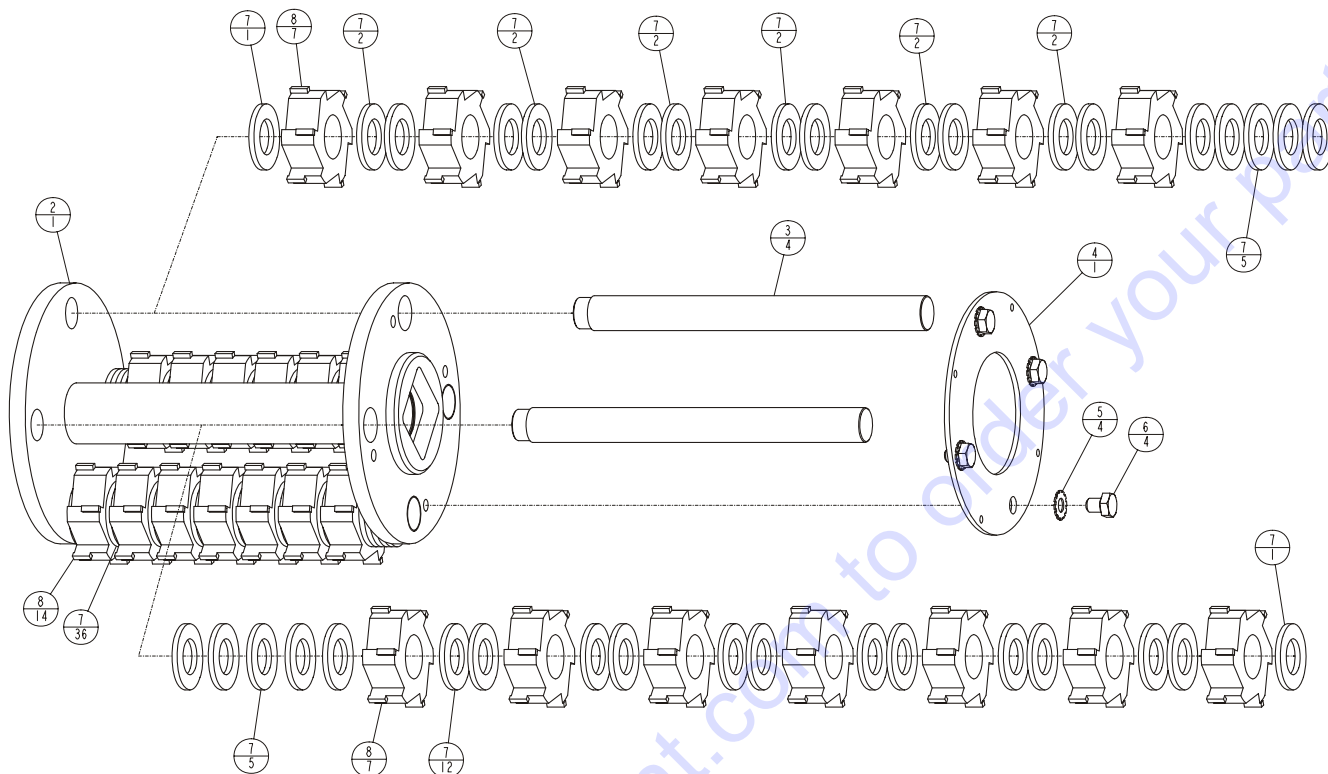
**Diagram 11 – Parts List – Drum Assembly, 3/4” ID Tungsten Cutters (6mm Wide)**

ITEM	P/N	DESCRIPTION	QTY
1	173091	Tungsten Cutter Head Assembly (6mm), 3/4 Shaft	1
2	173015	Drum Assembly, 1 Inch Shaft	1
3	173016	Cutters Shaft, 1 Inch Shaft	4
4	173017	Cutter Shaft Retaining Plate	1
5	173019	Lockwasher, External Tooth, M8	4
6	173018	Capscrew, Hex Hd M8 x 1.25 x 10 (Full Thread)	4
7	020768	Washer, Flat .75 SAE	92
8	173087	TC Cutter Wheel, 3/4" Shaft	84

**Parts List  
Callout Designation:**



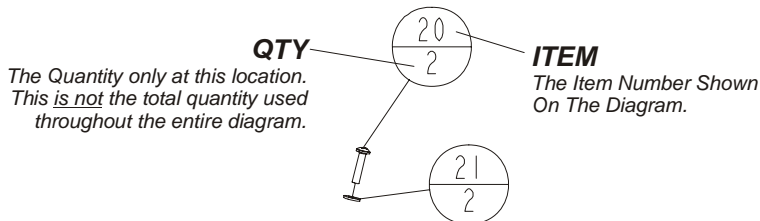
**Diagram 12 – Drum Assembly, 3/4” ID Tungsten Cutters (19mm Wide)**



**Diagram 12 – Parts List – Drum Assembly, 3/4” Tungsten Cutters (19mm Wide)**

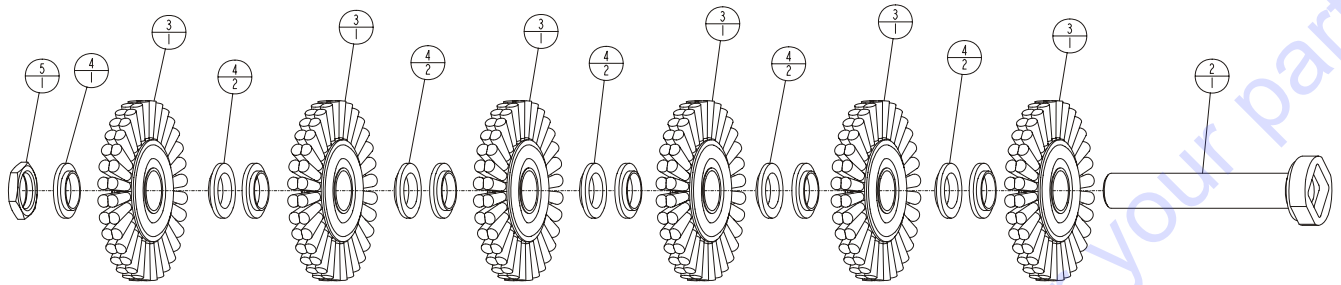
ITEM	P/N	DESCRIPTION	QTY
1	178379	Tungsten Carbide Head Assy (19mm), 3/4 Shaft	1
2	173015	Drum Assembly, 1 Inch Shaft	1
3	173016	Cutters Shaft, 1 Inch Shaft	4
4	173017	Cutter Shaft Retaining Plate	1
5	173019	Lockwasher, External Tooth, M8	4
6	173018	Capscrew, Hex Hd M8 x 1.25 x 10 (Full Thread)	4
7	020768	Washer, Flat .75 SAE	72
8	178125	CTC Cutter Wheel, 19mm	28

**Parts List  
Callout Designation:**





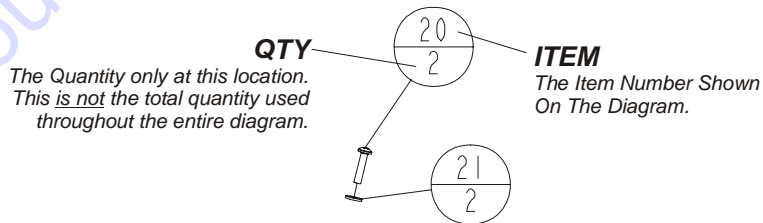
### Diagram 13 – Drum Assembly, Wire Brush



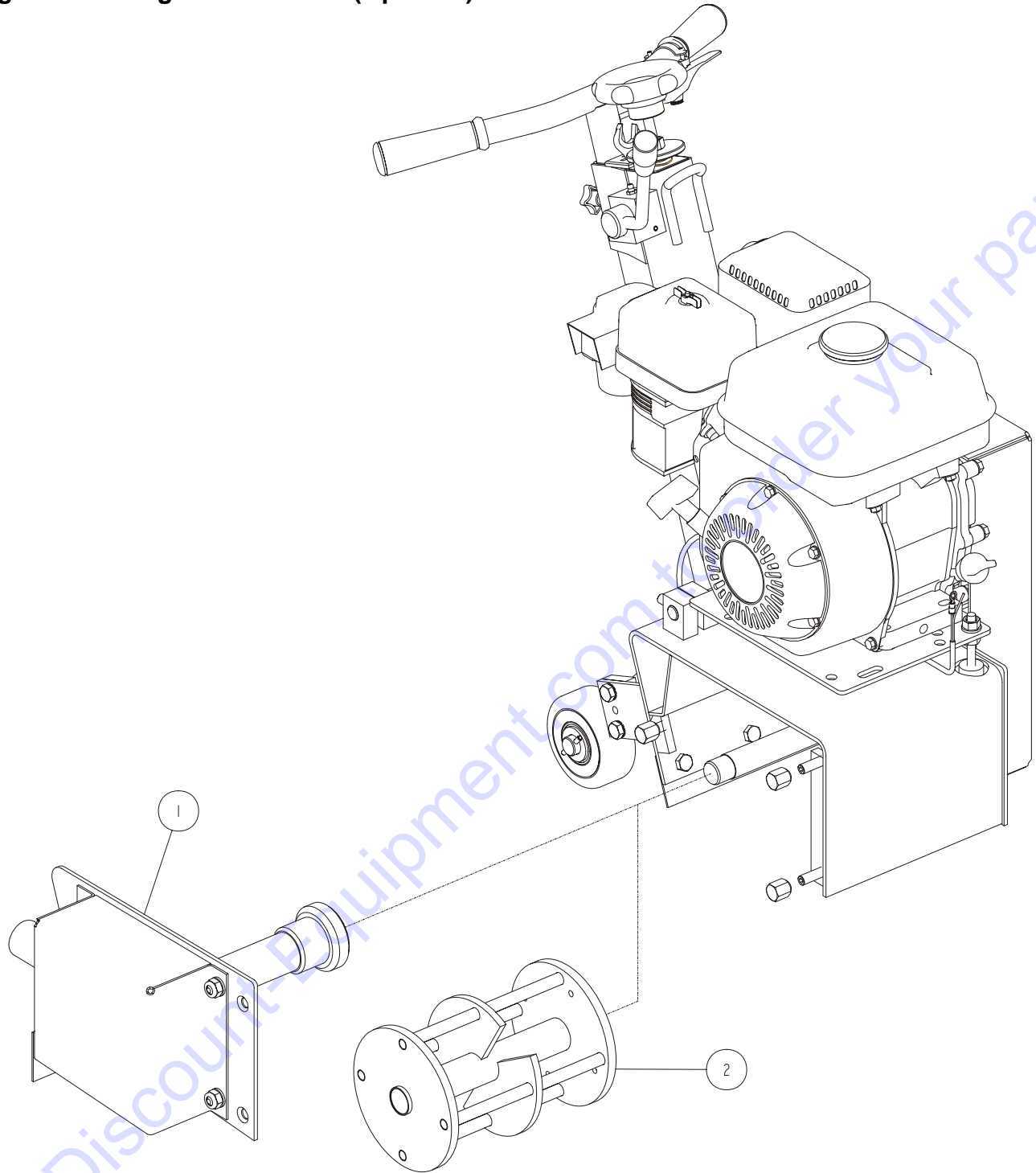
### Diagram 13 – Parts List – Drum Assembly, Wire Brush

ITEM	P/N	DESCRIPTION	QTY
1	173092	Wire Brush Head Assembly	1
2	173080	Shaft, Wire Brush	1
3	173084	Wire Brush	6
4	173081	Ring, Shoulder	11
5	173082	Nut, Hex Hd M36 x 4.00	1

### Parts List Callout Designation:



## Diagram 14 – Edger Attachment (Optional)



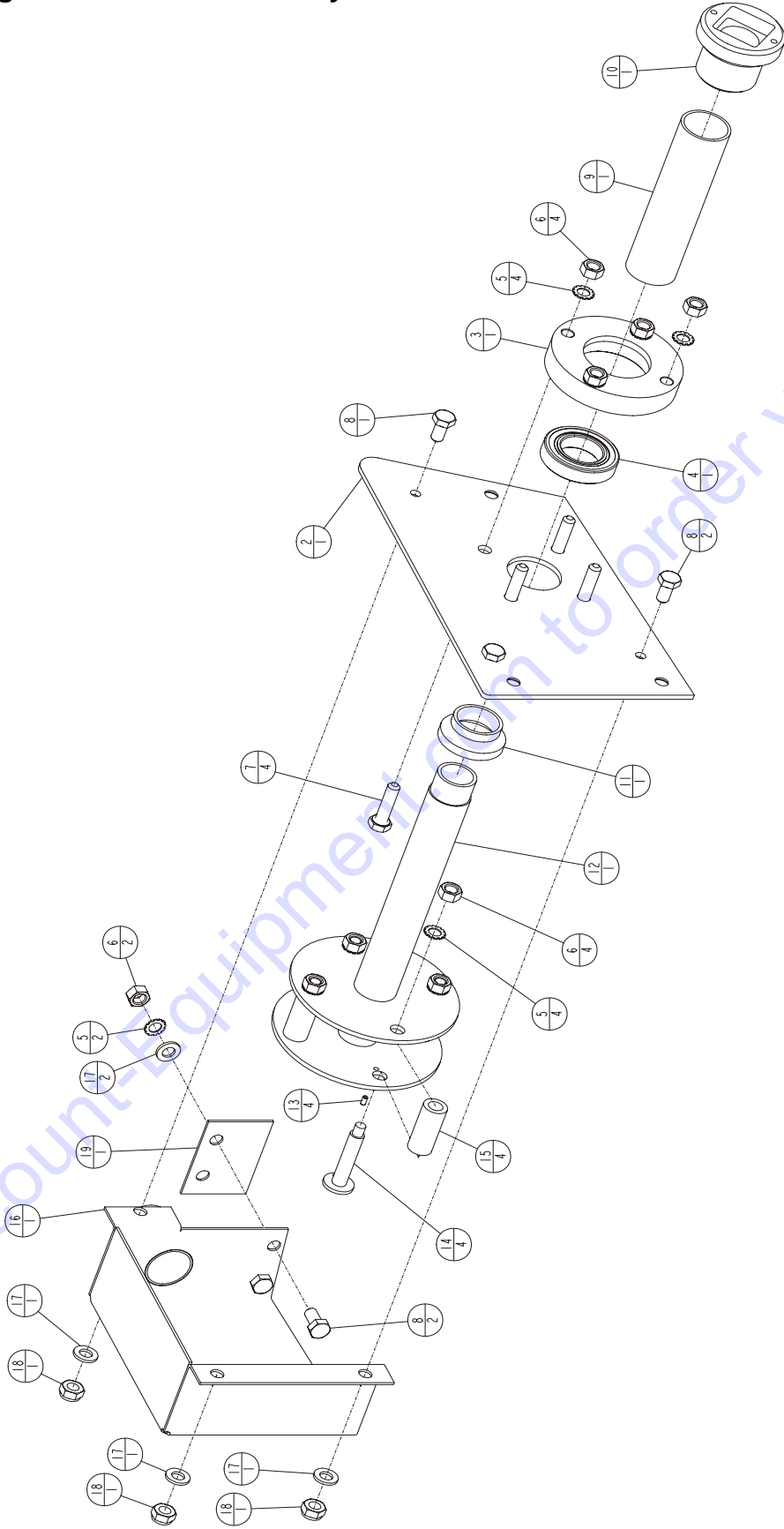
### Diagram 14 – Parts List – Edger Attachment

ITEM	P/N	DESCRIPTION	QTY
1	173065	Edger Attachment Assembly, 3/4" Shaft	1
2	-----	Head Assembly	1

#### **Edger Installation:**

- 1) Remove the Three Existing Nuts (Diagram 1, Item 30) that secure the Side Guard (Diagram 1, Item 29).
- 2) Remove the Side Guard (Diagram 1, Item 29) and then remove Item 2 (Existing Drum Assembly).
- 3) Make sure the cutters (See Diagram 15) are assembled to the Edger Attachment (Item 2), then slide it over the shaft on the machine. Be sure to align the square ends of the shafts on both the machine, and Item 1.
- 4) Install and Tighten the Three Existing Nuts (Diagram 1, Item 30) To Secure the Edger (Item 2) To The Machine.

Diagram 15 – Edger Attachment Assembly



Go to DiscountEquipment.com to order your parts

## Diagram 15 Parts List – Edger Attachment Assy – P/N 173065 Complete Kit (Less Cutters)

ITEM	P/N	DESCRIPTION	QTY
1	173065	Edger Attachment Assembly, 3/4" Shaft	1 (Includes 2-19)
2	173067	Side Guard	1
3	173071	Bearing Adapter, Edger Attachment	1
4	173070	Bearing, Edger Attachment	1
5	173006	Lockwasher, External Tooth, M10	10
6	139750	Nut, Hex Hd M10 x 1.50	10
7	173072	Capscrew, Hex Hd M10 x 1.50 x 40	4
8	139744	Capscrew, Hex Hd M10 x 1.50 x 20	5
9	173073	Long Spacer, Edger Attachment	1
10	173074	Connector, Edger Attachment	1
11	173069	Short Spacer, Edger Attachment	1
12	173068	Grinding Shaft, Edger Attachment	1
13	173077	Pin, Roll 4mm Dia x 8mm	4
14	173076	Axle, Edger Attachment	4
15	173075	Bushing, Edger Attachment	4 (See Note 1)
16	173078	Edger Attachment Guard Weldment	1
17	173014	Washer, Flat M10	5
18	139748	Locknut, Fiber M10 x 1.50	3
19	173079	Splash Guard, Edger Attachment	1

### Recommended Cutter Quantities for One Complete Edger Attachment Assy: (Items Not Shown On Diagram 14, and are NOT included in P/N 173065 Kit)

#### 3/4" Shaft Models:

##### 3/4" I.D. Star Cutters:

ITEM	P/N	DESCRIPTION	QTY
--	173086	Star Cutter Wheel, 3/4" Shaft	40
--	173067	Washer, Flat, .75 SAE	44 (See Note 2)

##### 3/4" I.D. Beam Cutters:

ITEM	P/N	DESCRIPTION	QTY
--	173085	Beam Cutter Wheel, 3/4" Shaft	24
--	173067	Washer, Flat, .75 SAE	28 (See Note 2)

##### 3/4" I.D. Tungsten Carbide Cutters (6 mm Thick):

ITEM	P/N	DESCRIPTION	QTY
--	173087	Tungsten Carbide Cutter Wheel, 3/4" Shaft	20
--	173067	Washer, Flat, .75 SAE	24 (See Note 2)

#### 1/2" Shaft Models:

##### 1/2" I.D. Star Cutters:

ITEM	P/N	DESCRIPTION	QTY
--	177826	Star Cutter Wheel, 1/2" Shaft	40
--	020767	Washer, Flat, .63 SAE	44 (See Note 2)

##### 1/2" I.D. Beam Cutters:

ITEM	P/N	DESCRIPTION	QTY
--	177828	Beam Cutter Wheel, 1/2" Shaft	24
--	020767	Washer, Flat, .63 SAE	28 (See Note 2)

##### 1/2" I.D. Tungsten Carbide Cutters (6 mm Thick):

ITEM	P/N	DESCRIPTION	QTY
--	177830	Tungsten Carbide Cutter Wheel, 1/2" Shaft	20
--	020767	Washer, Flat, .63 SAE	24 (See Note 2)

**Note 1:** Item 15 Is Required Only When Using 3/4" I.D. Cutters. Remove Item 15 When Using 1/2" I.D. Cutters.

**Note 2:** Maximum Washer quantity is shown. Washer thickness varies, so a lesser quantity will probably be required.

Diagram 16 – Wiring Diagram, 5.5 hp & 9 hp Honda Model

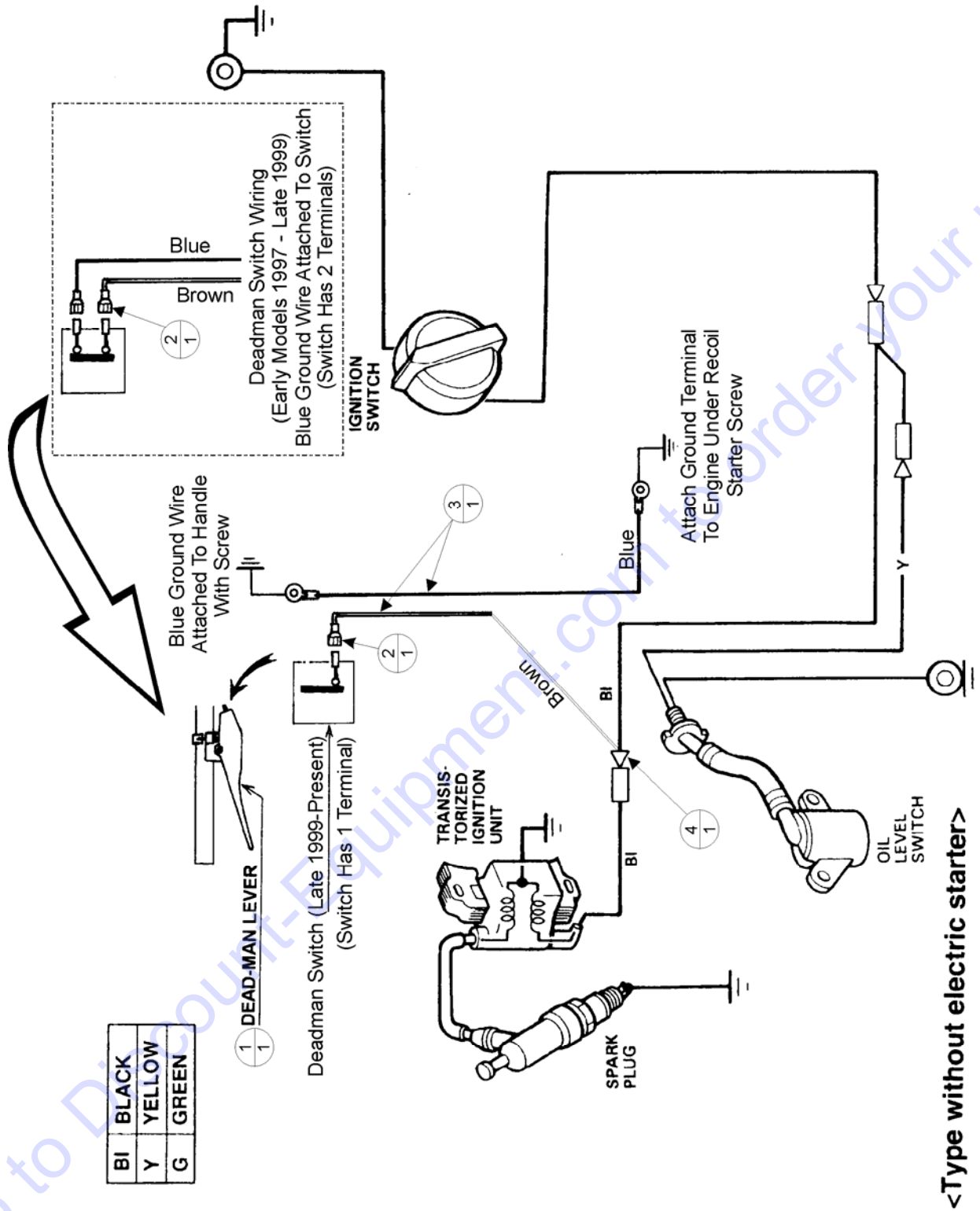
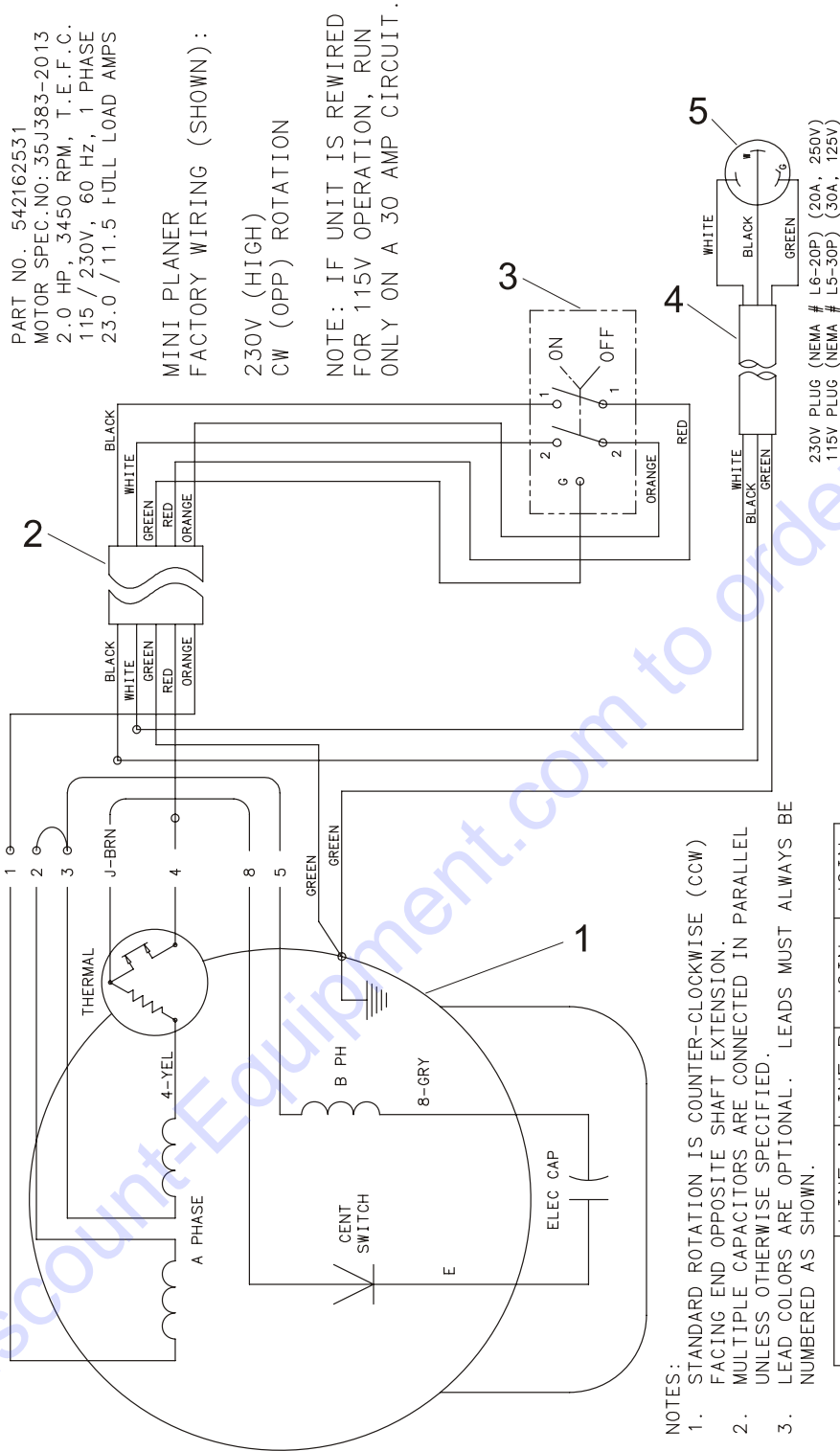


Diagram 16 Parts List – Wiring Diagram, 5.5 HP & 9 HP Honda Models

ITEM	P/N	DESCRIPTION	QTY
1	180797	Lever Assembly, Deadman, w/Switch	1
2	180801	Connector, Wire, Female	1 (or 2 - See Diagram)
3	180802	Cable, Deadman Lever	1
4	-----	Connector, Male Snap, .156 (Hy-Line SP227)	1

# Diagram 17 – Wiring Diagram, 2 HP Electric Model



## Diagram 17 Parts List – Wiring Diagram, 2 HP Electric Model

ITEM	P/N	DESCRIPTION	QTY
1	180819	Motor, Modified	1
2	180809	Cable, 12-5 x 35" Long	1
3	161581	Switch, 30A, 250V	1
4	180808	Cable, 12-3 x 26" Long	1
5	169590	Plug, Twist Lock, NEMA L5-30P (For 230V Only)	1
-	41534	Plug, Twist Lock, NEMA L5-30P (For 115V Only)	1

## REPAIRS

We carry out all repairs in the shortest possible time and at the most economical prices. (See front page for our address and phone numbers)

## SPARE PARTS

For quick supply of spare parts and to avoid any lost time, it is essential to quote the data on the manufacturer's plate fixed to the machine and the part number (s) to be replaced with every order.

## REPARACIONES

Hacemos todas las reparaciones en los plazos más breves posibles, y a los precios más económicos. (Vea la portada para nuestra dirección y número de teléfono).

## PIEZAS DE RECAMBIO

Para un suministro rápido de piezas de recambio y evitar cualquier pérdida de tiempo, en cada pedido es esencial mencionar los datos de la placa de fabricación fijada a la máquina; y el número de pieza que se va a reemplazar.

*The instructions for use and spare parts found in this document are for information only and are not binding. As part of our product quality improvement policy, we reserve the right to make any and all technical modifications without prior notice.*

*Las instrucciones de uso y las piezas de recambio presentadas en este documento son solamente para información y no constituyen obligación ninguna.*

*Como parte de nuestra política de mejoramiento de la calidad de nuestros productos, nos reservamos el derecho de hacer cualquiera y todas las modificaciones técnicas sin previo aviso.*



**The manufacturer accepts no responsibility caused by unsuitable use or modifications**



**¡El fabricante no acepta ninguna responsabilidad por accidentes debidos al uso indebido o modificaciones hechas a la máquina!**

# PARTS FINDER

**Search Website  
by Part Number**



**Search Manual  
Library For Parts  
Manual & Lookup Part  
Numbers – Purchase  
or Request Quote**

**Search Manuals**

Enter your information to help us find the right parts manual for your machine.

\* Brand:

\* Model:

\* Serial:

\* Part Number:

SEARCH

**Can't Find Part or  
Manual? Request Help  
by Manufacturer,  
Model & Description**

**Parts Order Form**

Please fill in the following information to help us find the right part for your machine.

Manufacturer:	<input type="text"/>
Model:	<input type="text"/>
Description:	<input type="text"/>
Part Number:	<input type="text"/>
Quantity:	<input type="text"/>
Notes:	<input type="text"/>

Submit

Discount-Equipment.com is your online resource for quality parts & equipment.

Florida: **561-964-4949** Outside Florida TOLL FREE: **877-690-3101**

**Need parts?**

Click on this link: <http://www.discount-equipment.com/category/5443-parts/> and choose one of the options to help get the right parts and equipment you are looking for. Please have the machine model and serial number available in order to help us get you the correct parts. If you don't find the part on the website or on one of the online manuals, please fill out the request form and one of our experienced staff members will get back to you with a quote for the right part that your machine needs.

We sell worldwide for the brands: Genie, Terex, JLG, MultiQuip, Mikasa, Essick, Whiteman, Mayco, Toro Stone, Diamond Products, Generac Magnum, Airman, Haulotte, Barreto, Power Blanket, Nifty Lift, Atlas Copco, Chicago Pneumatic, Allmand, Miller Curber, Skyjack, Lull, Skytrak, Tsurumi, Husquvarna Target, Stow, Wacker, Sakai, Mi-T-M, Sullair, Basic, Dynapac, MBW, Weber, Bartell, Bennar Newman, Haulotte, Ditch Runner, Menegotti, Morrison, Contec, Buddy, Crown, Edco, Wyco, Bomag, Laymor, EZ Trench, Bil-Jax, F.S. Curtis, Gehl Pavers, Heli, Honda, ICS/PowerGrit, IHI, Partner, Imer, Clipper, MMD, Koshin, Rice, CH&E, General Equipment, Amida, Coleman, NAC, Gradall, Square Shooter, Kent, Stanley, Tamco, Toku, Hatz, Kohler, Robin, Wisconsin, Northrock, Oztec, Toker TK, Rol-Air, APT, Wylie, Ingersoll Rand / Doosan, Innovatech, Con X, Ammann, Mecalac, Makinex, Smith Surface Prep, Small Line, Wanco, Yanmar