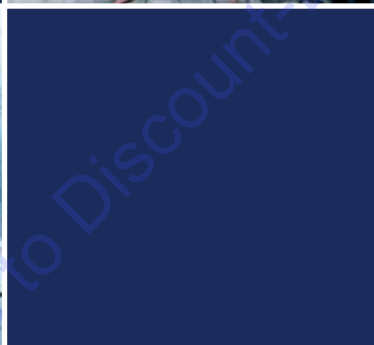




Husqvarna®



Operator's manual
Manuel d'utilisation
Bedienungsanweisung
Gebruiksaanwijzing



CG 200

English (2-15)

Français (16-29)

Deutsch (30-43)

Nederlands (44-57)

Read the operator's manual carefully and make sure that you understand the instructions before you use the product.

Lisez attentivement le manuel d'utilisation et assurez-vous que vous en comprenez le contenu avant d'utiliser la machine.

Lesen Sie die Bedienungsanweisung sorgfältig durch und machen Sie sich mit dem Inhalt vertraut, bevor Sie das Gerät benutzen

Lees de gebruiksaanwijzing zorgvuldig door en gebruik de machine niet voordat u de instructies goed hebt begrepen.

**Discount
Equipment**

TO PURCHASE THIS PRODUCT PLEASE CONTACT US



**Equipment Financing and
Extended Warranties Available**



**Discount-Equipment.com is your online resource for
commercial and industrial quality parts and equipment sales.**

561-964-4949

visit us on line @ www.discount-equipment.com

Select an option below to find your Equipment

Search by Manufacturer

Search by Product Type

Request a Quote

We sell worldwide for the brands: Genie, Terex, JLG, MultiQuip, Mikasa, Essick, Whiteman, Mayco, Toro Stone, Diamond Products, Generac Magnum, Airman, Haulotte, Barreto, Power Blanket, Nifty Lift, Atlas Copco, Chicago Pneumatic, Allmand, Miller Curber, Skyjack, Lull, Skytrak, Tsurumi, Husquvarna Target, Stow, Wacker, Sakai, Mi-T-M, Sullair, Basic, Dynapac, MBW, Weber, Bartell, Bennar Newman, Haulotte, Ditch Runner, Menegotti, Morrison, Contec, Buddy, Crown, Edco, Wyco, Bomag, Laymor, EZ Trench, Bil-Jax, F.S. Curtis, Gehl Pavers, Heli, Honda, ICS/PowerGrit, IHI, Partner, Imer, Clipper, MMD, Koshin, Rice, CH&E, General Equipment, Amida, Coleman, NAC, Gradall, Square Shooter, Kent, Stanley, Tamco, Toku, Hatz, Kohler, Robin, Wisconsin, Northrock, Oztec, Toker TK, Rol-Air, APT, Wylie, Ingersoll Rand / Doosan, Innovatech, Con X, Ammann, Mecalac, Makinex, Smith Surface Prep, Small Line, Wanco, Yanmar

Contents

Introduction.....	2	Troubleshooting.....	11
Safety.....	5	Transportation, storage and disposal.....	12
Assembly.....	7	Technical data.....	13
Operation.....	8	Service.....	14
Maintenance.....	10	EC Declaration of Conformity.....	14

Introduction

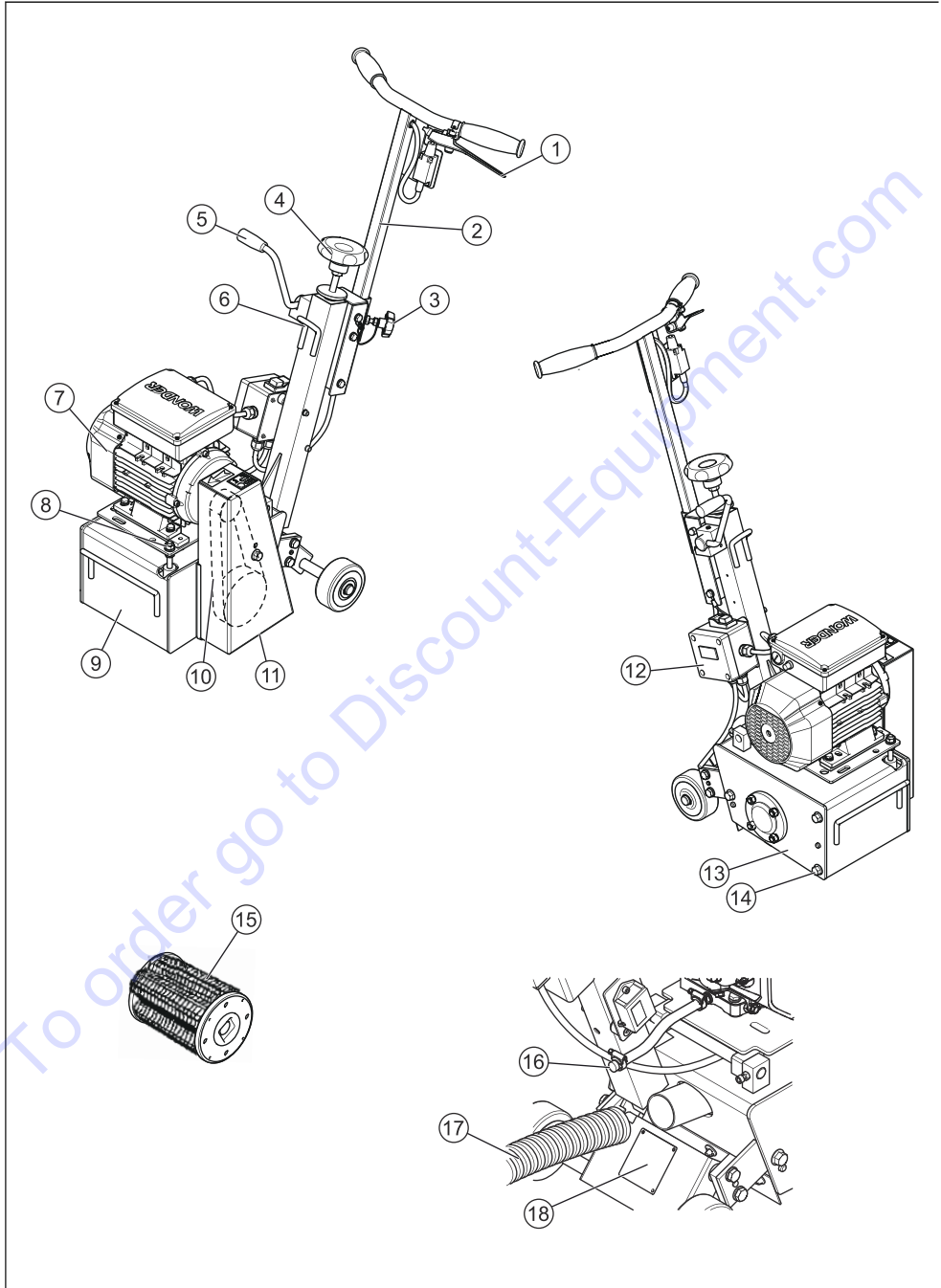
Product description

To be used on concrete, asphalt, paint and other coatings, glue and steel, and should not be used for any other purpose than described in this manual.

Intended use

For scarifying, milling grooving, texturing, and cleaning.

Product overview



1. Safety lever (operator presence control)
2. Steering shaft
3. Shaft adjustment knob
4. Depth adjustment knob (mm)
5. Quick raise/lower lever
6. Lifting eye
7. Engine / Motor
8. Belt tensioner
9. Chassis
10. Transmission
11. Belt guard
12. On / off switch
13. Drum guard plate
14. Drum guard fasteners
15. 200 mm wide drum
16. Drain extension
17. Dust extractor hose
18. Type plate



WARNING! Dust forms when cutting, this can cause injuries if inhaled. Use an approved breathing mask. Avoid inhaling exhaust fumes. Always provide for good ventilation.



Caution, risk of cutting.



Low speed.



High speed.



Choke control.



Environmental marking. Symbols on the product or its packaging indicate that this product cannot be handled as domestic waste. It must instead be submitted to an appropriate recycling station for the recovery of electrical and electronic equipment. By ensuring that this product is taken care of correctly, you can help to counteract the potential negative impact on the environment and people that can otherwise result through the incorrect waste management of this product. For more detailed information about recycling this product, contact your municipality, your domestic waste service or the shop from where you purchased the product.

Other symbols/decals on the product refer to special certification requirements for certain markets.

Symbols on the product



WARNING! The product can be a dangerous tool if used incorrectly or carelessly, which can cause serious or fatal injury to the operator or others.



Please read the instructions for use prior to operating the product for the first time.



This symbol indicates that the product is in conformance with the applicable European directive.



Wear personal protective equipment. See *Personal protective equipment on page 7* for instructions.

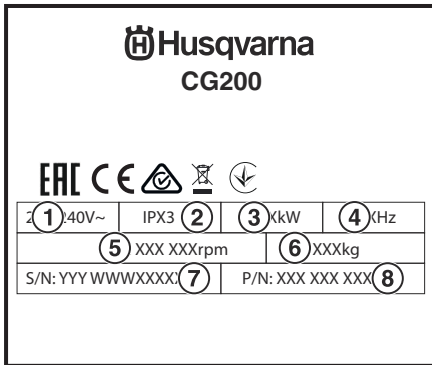


Noise emission to the environment according to the European Community's Directive. The product's emission is specified in the Technical data chapter and on the label.



Hot surface.

Type plate



1. Voltage power supply
2. Water proof
3. Nominal engine output
4. Frequency
5. Rotations per minute
6. Gross vehicle weight
7. Manufacturing date, year, week, serial number
8. Product number

Product liability

Before leaving our factory every product passes an exacting inspection programme in which everything is checked minutely. Following the instructions will ensure that your product gives long service, in normal operating conditions.

The manufacturer declines all responsibility for loss or damage resulting from misuse or any modification, alteration or powering that does not conform to the manufacturer's original specifications.

The user advice and spare parts mentioned in this document are given as an indication, and do not constitute an undertaking. No warrantee will be granted in the event of errors or omissions, or for damage occurring during delivery, or caused by the design or use of the product. We are very concerned about the quality of our products and we reserve the right to make any technical modifications to improve them, without warning.

Safety

Safety definitions

Warnings, cautions and notes are used to point out specially important parts of the operator's manual.

WARNING: Used if there is a risk of injury or death for the operator or bystanders if the instructions in the manual are not obeyed.

CAUTION: Used if there is a risk of damage to the product, other materials or the adjacent area if the instructions in the manual are not obeyed.

Note: Used to give more information that is necessary in a given situation.

General safety instructions

WARNING: Please read the operator's manual carefully and make sure you understand the instructions before using the product.

WARNING: Please read the engine operation manual that is supplied with the engine and make sure you understand the instructions before using the product.

The product is designed to provide safe and reliable service in operating conditions corresponding with the instructions, but it can present dangers for the user and risks of damage, consequently regular on site inspection is necessary to ensure:

- Perfect technical condition (use for the purpose for which it is intended and taking into account any risks, and correction of any malfunction detrimental to safety).
- That the warnings and instructions marked on the product are followed (adequate personal protection, correct use, general safety instructions, etc).
- **The product is not intended for use by persons (including children) with reduced physical, sensory or mental capabilities, or lack of experience and knowledge.**
- **Children shall be supervised not to play with the appliance.**
- That the product is for commercial use.

WARNING: Do not allow the supply cord to come in contact with rotating brushes.

Note: Operator's manual should always be available at the place of work. It should be read and used by any person installing or using the product. The obligatory technical regulations in force in the country where the product is used must also be adhered to for maximum safety.

Safety instructions for assembly

The original drums from manufacturers' should be used. Do not use any other drum whose shape, size and mounting do not fit the product.

Check that the parts are properly fixed (no abnormal vibration) and that it is correctly assembled.

No modification, transformation or addition that is detrimental to safety and that it is carried out without prior authorization from the manufacturer should be done.

Safety instructions for operation

WARNING: This section describes basic safety directions for using the product. This information is never a substitute for professional skills and experience. If you get into a situation where you feel unsafe, stop and seek expert advice. Contact Discount-equipment. Do not attempt any task that you feel unsure of!

WARNING: The toolshaft rotates when the engine is started.

WARNING: Be aware of hot muffler. Use gloves/safety gear.

Those who operate this product should be competent staff (qualifications, age, training) who have read and understood the manual in detail before starting work. Any electrical, mechanical or other problem should be investigated by a qualified maintenance engineer (electrician, maintenance manager, approved dealer, etc.).

- When the product is received check its condition.
- Always keep the product clean.
- Always keep alert when working.

Electrical safety

This product should always be operated with the correct electrical supply.

WARNING: There is always a risk of shocks from electrically powered products. Avoid unfavourable weather conditions and body contact with lightning conductors and metal objects. Always follow the instructions in the Operator's manual to avoid damage. Never connect the product to a outlet if plug or cord is damaged.

WARNING: Improper connection can result in the risk of electric shock. Contact a qualified electrician if in doubt as to whether the appliance is properly grounded. Do not modify the plug. If it will not fit the outlet have a proper outlet installed by a qualified electrician. Make sure local regulations and ordinances are followed. If the grounding instructions are not fully understood contact a qualified electrician.

- Check regularly that the engine is serviced (fuel engine), the state of the supply cable and extension cable (for electric motor).
 - Check the mains voltage. See *Equipment technical data on page 13*.
 - Check that the motor is connected to electric cable with conductors of 4 mm² section for lengths less than 100 m. Above this length, double the section.
-

WARNING: Never use damaged cables. They can cause serious, even fatal, personal injuries.

CAUTION: Good motor performance depends on proper voltage. Extension cables that are too long and/or which have a gage that is too small, reduce power to the motor under load.

Personal protective equipment

WARNING: You must use approved personal protective equipment whenever you use the product. Personal protective equipment cannot eliminate the risk of injury but it will reduce the degree of injury if an accident does happen. Ask your dealer for help in choosing the right equipment.

WARNING: The use of products such as cutters, grinders, drills, that sand or form material can generate dust and vapors which may contain hazardous chemicals. Check the nature of the material you intend to process and use an appropriate breathing mask. Long-term exposure to noise can result in permanent hearing impairment. Always use approved hearing protection. Listen for warning signals or shouts when you are wearing hearing protection. Always remove your hearing protection as soon as the engine stops.

Always wear:

- Approved protective helmet.
- Hearing protection.
- Approved eye protection. If you use a face shield then you must also wear approved protective goggles.
- Breathing mask.
- Heavy-duty, firm grip gloves.
- Tight-fitting, heavy-duty and comfortable clothing that permits full freedom of movement.
- Boots with steel toe-caps and non-slip sole.
- Always have a first aid kit nearby.

Fuel safety

The level of the fuel and oil need be checked regularly. Consult the engine manufacturer manual if necessary.

WARNING: Take into account the working conditions from health and safety point of view.

WARNING: Running an engine in a confined or badly ventilated area can result in death due to asphyxiation or carbon monoxide poisoning. Use fans to ensure proper air circulation when working in trenches or ditches deeper than one meter (3 foot).

WARNING: Fuel and fuel fumes are highly flammable and can cause serious injury when inhaled or allowed to come in contact with the skin. For this reason observe caution when handling fuel and make sure there is adequate ventilation. The exhaust fumes from the engine are hot and may contain sparks which can start a fire. Never start the product indoors or near combustible material!

WARNING: Do not smoke and do not place any hot objects in the vicinity of fuel.

Safety instructions for maintenance

WARNING: Inspection and/or maintenance should be carried out with the motor switched off and the plug disconnected.

CAUTION: Drum inspection is carried out through the side plate. Product tilted backwards rested on the handlebar leads to damaging oil leakage.

We recommend that the respect of the maintenance intervals and periodical checks should be obey and implemented and only genuine spare parts be used for repairs and maintenance.

Assembly

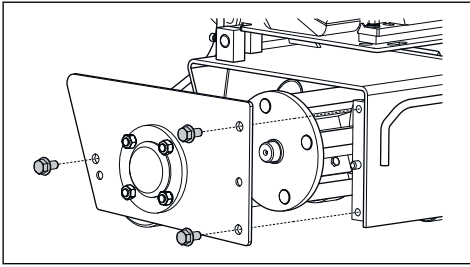
General

WARNING: The product should be switched off with the power cable disconnected from the outlet.

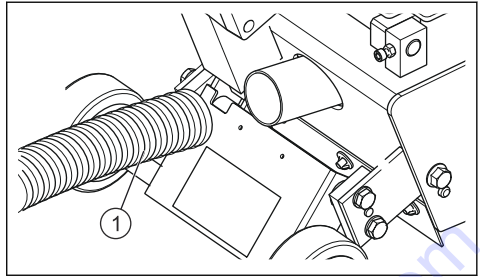
To interchange the drums

1. Unscrew the three screws.
 2. Remove the side plate.
-

3. Fit the drum and slid it on its shaft.



1. Connect the dust extractor (1) to the product.



To connect the dust extractor

Always use a vacuum cleaner to minimize dust. Make sure that the filters in the vacuum cleaner are intact and clean. Pay attention to dust during operation.

Operation

Introduction

WARNING: Please read the operator's manual carefully and make sure you understand the instructions before using the product.

WARNING: Wear personal protective equipment. See *Personal protective equipment on page 7* for instructions.

WARNING: Make sure no unauthorised persons are in the working area, otherwise there is a risk of serious personal injury.

WARNING: Check that the product is assembled correctly and do not show any signs of damage.

CAUTION: The equipment fulfills the requirements in EN61000-3-11 and is subject for conditional connection to the mains. It may be connected in consultation with the supply authority. The equipment will only be connected to the mains supply with impedance lower than 0,26 ohm. The system impedance at the interface point may be obtained from the supply authority.

If the mains supply has higher system impedance, short voltage dips may appear when the equipment is started. This may influence the operation of other products, e.g flickering lights.

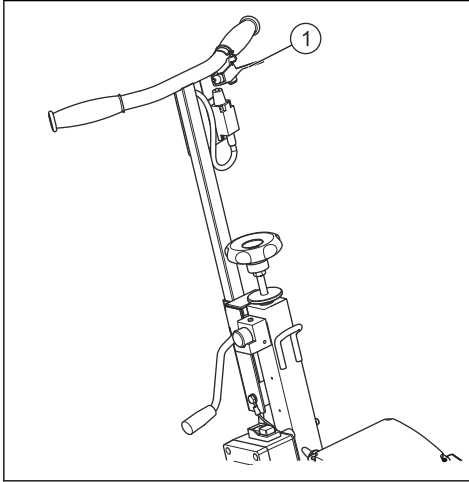
To start up

CAUTION: The operator position is behind the product keeping both hands on the handles. Maintain a safe distance to the rotating tool. Make sure that no pipes or electrical cables are routed in the working area or in the material to be cut. Do not leave the product unattended while the engine is running.

Note: When the product is engaged it will move forward uncontrolled due to the activated drum.

1. To start the product, grasp the operator presence control handle on the steering shaft.

- The motor stops if operator presence control handle (1) is released.



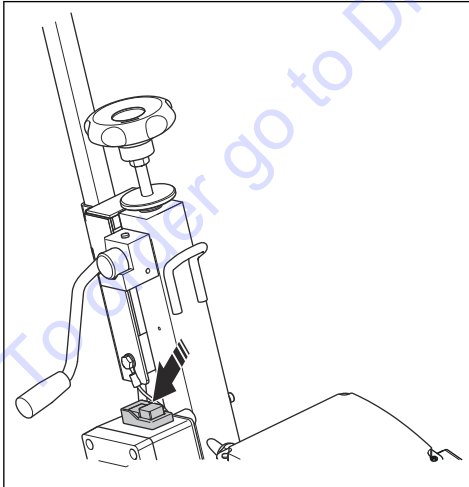
- Check regularly that it operates correctly. Do not lock it in position.

To start the fuel product

- To start the motor, see the motor manufacturer manual.
- Let the motor warm up.

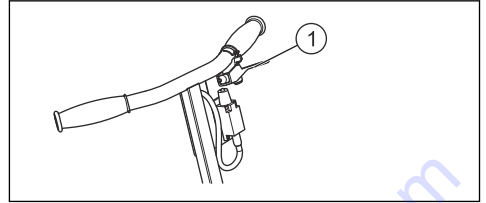
To start the electric product

- To start the product, push the motor start switch to ON(I).



To stop the product

- To stop the product, release the operator presence control handle (1).



To choose a cutting head

Different cutting heads can be applied to different situations. There are mainly three cutting heads you can choose to use, the star cutting head, the beam cutting head, and the carbide cutting head.

- Use the star cutting head to clean or remove the epoxy paint, oil and glazes, glue, thermo plastic road marking.
- The beam cutting head can be used for light preparation of asphalt and concrete, for cleaning out antiskid grooving such as on ramps, for descaling steel and the cleaning of roads ready for line marking.
- Use the carbide cutting head to texture the asphalt and concrete.

To mill the concrete

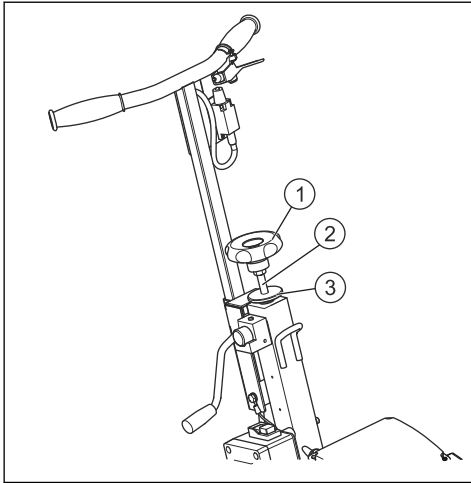
Note: Cutting depth is maximum 3 mm (1/8"), for deeper cuts make several passes.

- Pass the product over several times according to the nature of the concrete.
- Check the concrete and stop milling if the desired result is obtained.

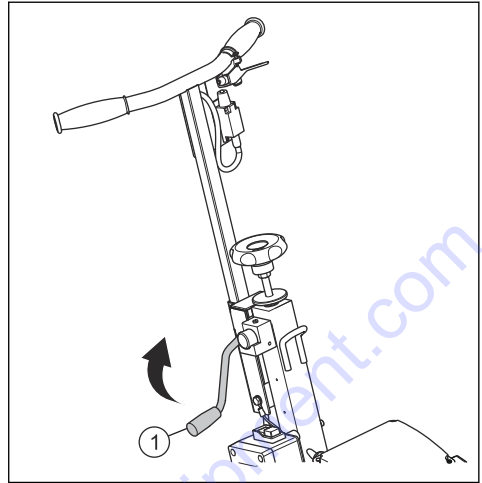
To adjust the cutting depth

The cutting depth can be adjusted depending on the need.

1. Adjust the fly-wheel (1) that will act on the screw (2).



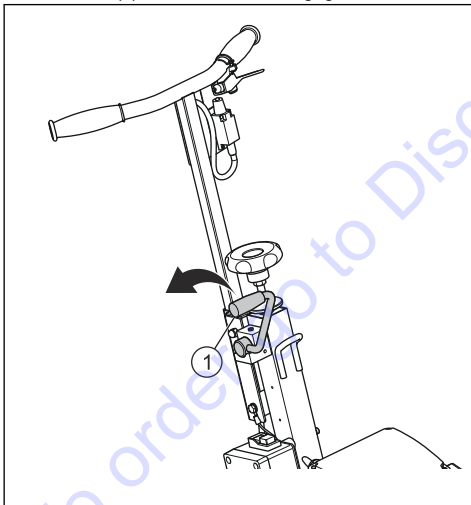
2. Push the lever (1) forward to engage the drum.



2. Turn the nut (3) to lock the screw and secure the cutting depth.

To disengage and engage the drum

1. Pull lever (1) backwards to disengage the drum.



Maintenance

Introduction

WARNING: Disconnect the product from the power supply before you do maintenance.

CAUTION: Maintain the tools carefully.

To check before operation

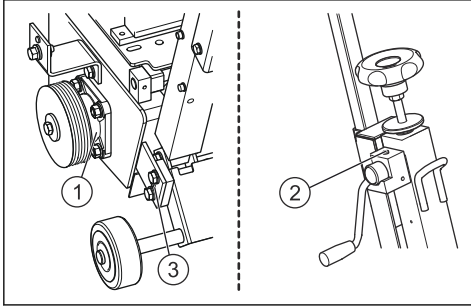
1. Check the engine oil.

2. Carry out a general inspection checking that no nuts or bolts are loose.

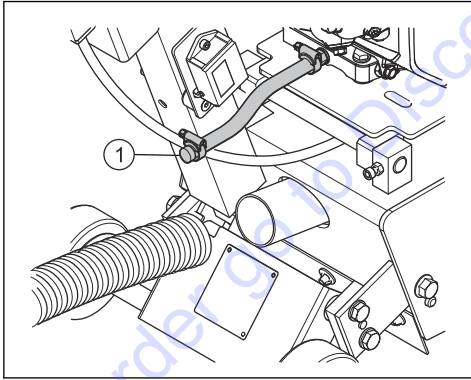
To check after operation.

CAUTION: Dispose of the old oil as laid down by the regulations in force.

1. Clean the product.
2. Lubricate the grease nipples on the wheelbase (1), depth adjustment bearing (2) and on the roller bearings (3).



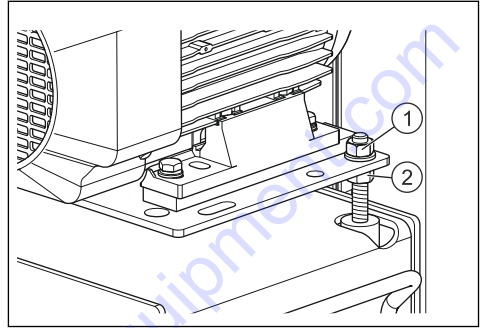
3. See the engine manual for motor oil replacement .
4. To drain the engine oil, place a funnel at the drain outlet (1).



To check the belt tension

WARNING: Never set belts beyond original tension.

1. Check the belt tension weekly.
2. Tight the lock nut (1) and nut (2) to set the belt tension. Do not overtighten.



Troubleshooting

Equipment troubleshooting

WARNING: Inspection and/or maintenance should be carried out with the motor switched off and the plug disconnected.

In the event of faulty operation refer to the tables below to find a solution.

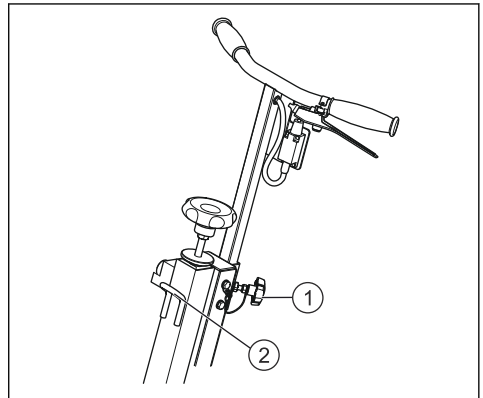
PROBLEMS	CAUSES	REMEDIES
Motor or drum does not rotate	Not plugged in properly or cable damaged	Make sure that the supply is correctly plugged in (plug, extension lead, etc). Check the supply cable.
	No main voltage	Test or have tested by an electrician (circuit breaker, plug, etc).
	Switch defective, motor cable damaged	Have tested by an electrician or contact Discount-equipment.
	Motor faulty (no power, unpleasant smell)	Contact Discount-equipment to have the motor replaced.
	Does not start (petrol engine)	Refer to engine service instructions or contact Discount-equipment if the engine stopped or find the spark plug faulty or loose.
	Belt broken	Contact Discount-equipment for a replacement.
	Drum stuck	Ensure the product is disconnected from the power. Check that the drum rotates, remove whatever prevents the rotation.
Difficult to start	Drum rubs against ground	Free the drum to make it easier to start.
	Motor start capacitor	Replace the capacitor.
Ineffective operation with jerks and considerable vibration	Drum position too low	Check the drum (mills) fixture. Change the drum or the cutters, brush, and so on.
	Tools worn out	
	Groove or mill makes abnormal vibration	Check the rotation of the cutters on the four shafts. Change the drum or the cutters.
	Abnormal cutter wear	

Transportation, storage and disposal

Transportation

Consider the following points when transporting the product.

- The height of the steering shaft can be adjusted by rotating the knob (1).



- Upon installation at the work site, the product can be moved without running the engine simply by pushing it along on its three wheels.

- A lifting eye (2) enables the lifting of the product.

Storage

WARNING: Store in a dry place in an upright position, not accessible to children.

accordance with the requirements of the legislation in force.

- Motor : Aluminium (AL), Steel (AC), Copper (CU), Polyamide (PA)
- Product : Steel sheet (AC), Cast iron (FT), Aluminium (AL)

Disposal

In the event of deterioration and scrapping of the product, the following items must be disposed of in

Technical data

Equipment technical data

CG 200	Electric	Gasoline 5hp	Gasoline 9hp
Cutting depth, max, mm	13	13	13
Useful working width, mm	200	200	200
Rated Voltage (V)	220-240	N/A	N/A
Weight (no fuel, no oil excluding tools) kg	58	54	64
Dimensions (L x W x H), mm	780 x 475 x 730	780 x 470 x 730	840 x 530 x 730
Drum rotation speed (maximum off load), rpm	1350	1350	1350
Oil gearbox drive motor, Quality/Standard	See motor manufacturer manual	See motor manufacturer manual	See motor manufacturer manual
Noise emissions¹			
Sound power level, measured dB(A)	112	113	114
Sound power level, guaranteed L _{WA} dB(A)	114	114	116
Sound levels²			
Sound pressure level at the operators ear, dB(A)	101	100,1	101,3
Vibration levels, a_{hv}³			
Handle rigm/s ²	6,6	12,8	10,1
Handle left, m/s ²	4,4	11,0	9,8

¹ Note 1: Noise emissions in the environment measured as sound power (L_{WA}) according to EN 60335-2-72.

² Note 2: Sound pressure level according to EN 60335-2-72. Expected measurement uncertainty 1.5 dB(A).

³ Note 3: Vibration level according to EN 60335-2-72. Reported data for vibration level has a typical statistical dispersion (standard deviation) of 1,5 m/s².

Service

Product service



CAUTION: All types of repairs may only be carried out by authorised repairmen.

For quick supply of spare parts and to avoid any lost time it is essential to quote the data on the manufacturer's plate fixed to the product and the part number of the part to be replaced with every order.

To order go to Discount-Equipment.com

- of May 17, 2006 "relating to machinery" 2006/42/EC
- of February 26, 2014 "relating to electromagnetic compatibility" 2014/30/EU
- of February 26, 2014 "relating to electrical equipment designed for use within certain voltage limits" 2014/35/EU
- of June 8, 2011 on the "restriction of use of certain hazardous substances" 2011/65/EU
- of May 8, 2000 "relating to the noise emissions in the environment" 2000/14/EC.

The following standards have been applied: EN ISO 12100:2010, EN 55014-1:2007 + A1:2009 + A2:2011, EN 55014-2:2015, EN 61000-3-2:2014, 61000-3-11:2014, 60335-1:2012, 60335-2-72:2012.

Huskvarna September 11, 2017

To order go to Discount-Equipment.com

Sommaire

Introduction.....	16	Dépannage.....	26
Sécurité.....	19	Transport, entreposage et mise au rebut.....	26
Montage.....	22	Caractéristiques techniques.....	27
Utilisation.....	22	Entretien.....	28
Maintenance.....	24	Déclaration de conformité CE.....	28

Introduction

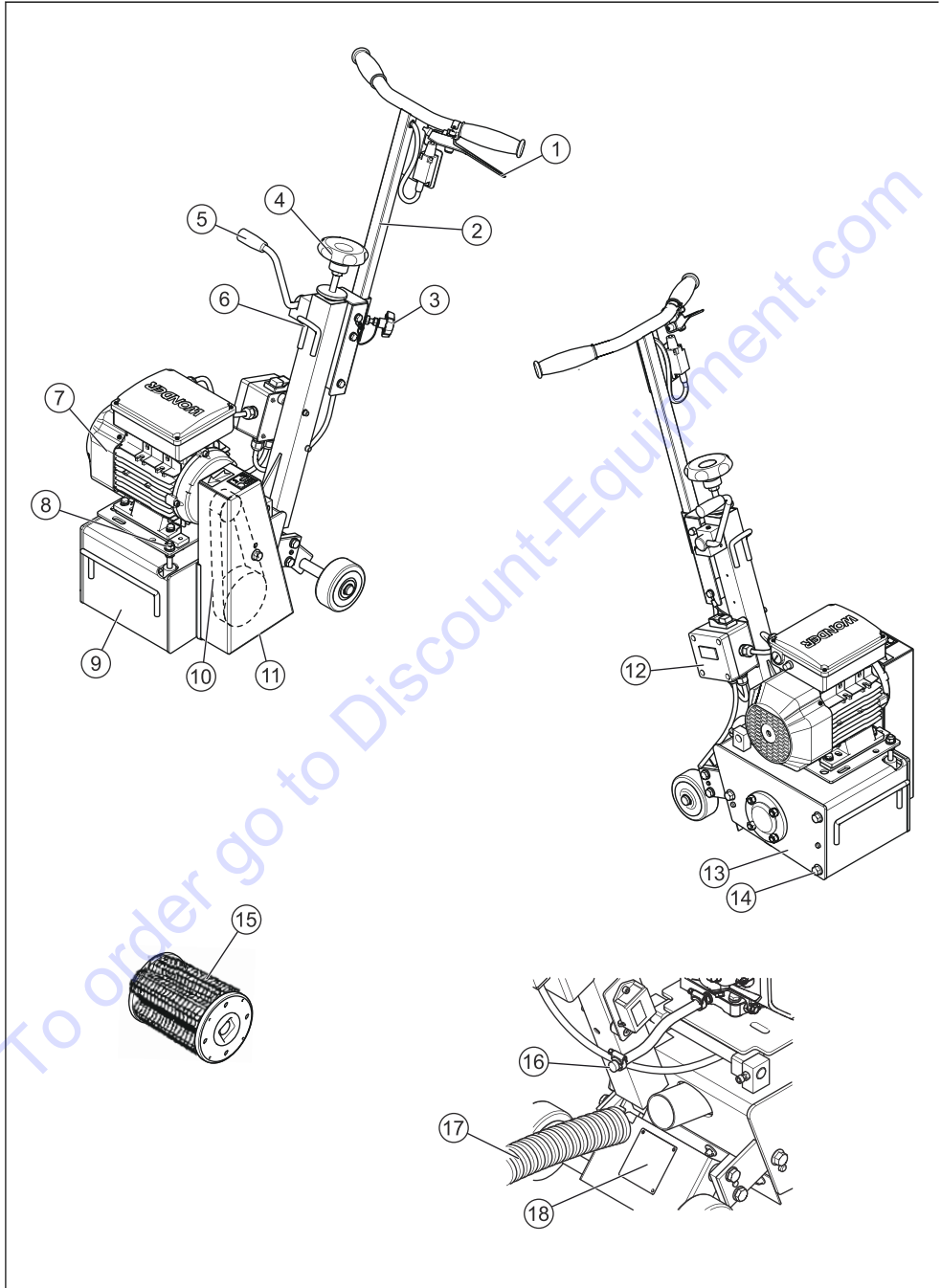
Description du produit

Peut être utilisé sur le béton, l'asphalte, la peinture et les autres revêtements, la colle et l'acier. Ne doit pas être utilisé pour les applications non décrites dans le présent manuel.

Utilisation prévue

Pour la scarification, le fraisage des rainures, la texturation et le nettoyage.

Aperçu du produit



1. Levier de sécurité (contrôle de présence de l'opérateur)
2. Arbre de direction
3. Manette de réglage de l'arbre
4. Bouton de réglage de la profondeur (mm)
5. Levier de relevage/d'abaissement rapide
6. Anneau de levage
7. Moteur
8. Tendeur de courroie
9. châssis
10. Transmission
11. Carter de la courroie
12. Interrupteur de marche/arrêt
13. Plaque de protection du tambour
14. Attaches de protection du tambour
15. Tambour de 200 mm de largeur
16. Rallonge de vidange
17. Tuyau extracteur de poussière
18. Plaque d'identification



AVERTISSEMENT ! Lors de la découpe, la poussière générée peut occasionner des blessures si elle est aspirée. Utiliser une protection respiratoire approuvée. Évitez d'inhaler les gaz d'échappement. Veillez à disposer d'une bonne ventilation.



Attention : risque de coupure.



Petite vitesse.



Grande vitesse.



Starter.



Marquage environnemental. Les symboles figurant sur le produit ou sur son emballage indiquent que ce produit ne peut pas être traité comme un déchet domestique ordinaire. Il doit être déposé dans un site de recyclage prévu pour la récupération d'équipements électriques et électroniques. En prenant soin correctement de ce produit, vous contribuez à compenser l'éventuel effet négatif sur l'environnement et les personnes, qui autrement pourrait être engendré par la mauvaise gestion de la mise au rebut du produit. Pour obtenir de plus amples informations sur le recyclage de ce produit, contactez votre municipalité, votre service des ordures ménagères ou le magasin où vous avez acheté ce produit.

Les autres symboles/autocollants présents sur le produit concernent des exigences de certification spécifiques à certains marchés.

Symboles concernant le produit



AVERTISSEMENT ! Utilisée de manière imprudente ou inadéquate, le produit peut devenir un outil dangereux, pouvant causer des blessures graves, voire mortelles à l'utilisateur ou à d'autres personnes présentes.



Veillez lire attentivement les instructions d'utilisation avant d'utiliser le produit pour la première fois.



Ce symbole indique que le produit est conforme à la directive européenne applicable.



Portez un équipement de protection personnelle. Consultez la section *Équipement de protection individuelle à la page 27* pour plus d'instructions.

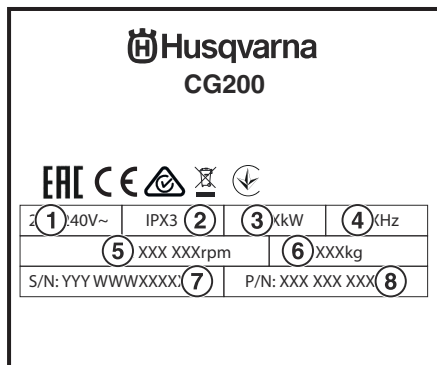


Émissions sonores dans l'environnement selon la directive de la Communauté européenne. Les émissions du produit sont indiquées au chapitre *Caractéristiques techniques* et sur les autocollants.



Surface chaude.

Plaque d'identification



1. Tension d'alimentation
2. Étanche
3. Puissance nominale du moteur
4. Fréquence
5. Tours par minute
6. Poids brut du véhicule
7. Date de fabrication, année, semaine, numéro de série
8. Référence de produit

Responsabilité

Avant de quitter notre usine, tous les produits sont soumis à un programme d'inspection exigeant au cours duquel tout est vérifié minutieusement. Le respect des instructions assure la longévité de votre produit, dans des conditions de fonctionnement normales.

Le fabricant décline toute responsabilité en cas de pertes ou dommages résultant d'une utilisation inadaptée ou de toute modification, altération ou mise sous tension ne répondant pas aux spécifications d'origine du fabricant.

Les conseils à l'utilisateur et les pièces de rechange mentionnés dans ce document sont donnés à titre indicatif et ne constituent pas un engagement. Aucune garantie ne fonctionne en cas d'erreur ou d'omission, ni pour un dommage subi pendant la livraison, ni pour un dommage causé par la conception ou l'utilisation du produit. Nous sommes très impliqués dans la qualité de nos produits et nous nous réservons le droit de procéder à toutes les modifications techniques susceptibles de les améliorer, sans préavis.

Sécurité

Définitions de sécurité

Avertissements, recommandations et remarques sont utilisés pour souligner spécialement les parties importantes de manuel d'utilisation.

AVERTISSEMENT: Symbole utilisé en cas de risque de blessures graves ou mortelles pour l'opérateur ou à d'autres personnes si les instructions du manuel ne sont pas respectées.

REMARQUE: Utilisé en cas de risque de dommages pour le produit, d'autres les matériaux ou la zone adjacente si les instructions du manuel ne sont pas respectées.

Remarque: Utilisé pour donner plus d'informations qui est nécessaire dans une situation donnée.

Instructions générales de sécurité

AVERTISSEMENT: Lisez attentivement et assimilez le manuel d'utilisation avant d'utiliser le produit.

AVERTISSEMENT: Veuillez lire attentivement le manuel d'utilisation du moteur fourni avec le moteur et vous assurer de bien comprendre les instructions avant d'utiliser le produit.

Le produit est conçu pour fournir un fonctionnement en toute sécurité et fiable dans des conditions de

fonctionnement correspondant aux instructions, mais il peut présenter des dangers pour l'utilisateur et des risques de dommages. Par conséquent, des inspections régulières sur site sont nécessaires pour s'assurer des points suivants :

- Parfait état technique (utilisation à des fins conformes à la conception de la machine et prise en compte des tous les risques, correction de toute défaillance préjudiciable à la sécurité).
- Les avertissements et les instructions figurant sur le produit sont suivis (protection personnelle appropriée, utilisation correcte, instructions générales de sécurité, etc.).
- **Le produit n'est pas destiné à être utilisé par des personnes (ou des enfants) aux capacités physiques, sensorielles ou mentales limitées ou manquant d'expérience et de connaissances.**
- **Il convient de surveiller les enfants et de les empêcher de jouer avec l'appareil.**
- Le produit est conçu pour un usage commercial.

AVERTISSEMENT: Ne laissez pas le cordon d'alimentation entrer en contact avec les brosses rotatives.

Remarque: Le manuel de l'opérateur doit toujours être disponible sur le lieu de travail. Il doit être lu et utilisé par toute personne installant ou utilisant le produit. Les réglementations techniques en vigueur dans le pays où le produit est utilisé doivent également être respectées pour une sécurité optimale.

Consignes de sécurité pour l'assemblage

Vous devez utiliser les tambours originaux du fabricant. N'utilisez pas d'autres tambours dont la forme, la taille et le montage ne correspondent pas au produit.

Vérifiez que les pièces sont correctement fixées (sans vibration anormale) et assemblées correctement.

Aucune modification, aucune transformation ni aucun ajout préjudiciable à la sécurité ne doit être effectué sans l'autorisation préalable du fabricant.

Consignes de sécurité pour le fonctionnement

AVERTISSEMENT: Le présent chapitre décrit les consignes de sécurité de base relatives à l'utilisation du produit. Cependant, aucune information ne peut remplacer l'expérience et le savoir-faire d'un professionnel. En cas de doute ou de difficulté quant à l'utilisation de la machine, consulter un spécialiste. Veuillez contacter votre revendeur, votre atelier de réparation ou un utilisateur expérimenté. L'utilisateur doit éviter d'utiliser la machine s'il ne se sent

pas suffisamment qualifié pour le travail à effectuer !

AVERTISSEMENT: La tige d'outil commence à tourner dès le démarrage du moteur.

AVERTISSEMENT: Soyez attentif au silencieux chaud. Utilisez des gants/un équipement de sécurité.

Ce produit ne doit être utilisé que par des professionnels compétents (en termes de qualifications, d'âge, de formation) qui ont lu et parfaitement compris le manuel avant de commencer le travail. Tout problème électrique, mécanique ou autre doit être corrigé par un ingénieur de maintenance qualifié (électricien, responsable de la maintenance, concessionnaire agréé, etc.).

- Vérifiez l'état du produit lorsque vous le recevez.
- Assurez-vous que le produit soit toujours propre.
- Restez toujours vigilant lorsque vous travaillez.

Sécurité électrique

Ce produit doit toujours être utilisé avec l'alimentation électrique correcte.

AVERTISSEMENT: Les produits alimentés électriquement présentent toujours un risque de choc. Évitez les conditions météorologiques défavorables et les contacts entre l'opérateur et les paratonnerres ou les objets métalliques. Suivez toujours les instructions du manuel de l'opérateur pour éviter tout dommage. Ne branchez jamais le produit à une prise si la fiche ou le câble est endommagé.

AVERTISSEMENT: Un mauvais branchement risque de provoquer un choc électrique. Contactez un électricien diplômé si vous n'êtes pas sûr que l'équipement soit correctement mis à la terre. Ne modifiez pas la fiche. Si elle n'est pas compatible avec la prise, demandez à un électricien diplômé d'installer une prise qui convienne. Assurez-vous de respecter les réglementations et ordonnances en vigueur. Si vous ne comprenez pas parfaitement les instructions de mise à la terre, contactez un électricien diplômé.

- Contrôlez régulièrement que le moteur est bien entretenu (moteur à carburant) ou que le câble d'alimentation et la rallonge sont en bon état (moteur électrique).

- Vérifiez la tension du secteur. Consultez *Caractéristiques techniques de l'équipement à la page 27*.
- Vérifiez que le moteur est branché à un câble électrique à l'aide de sections conductrices de 4 mm² lorsque la longueur est inférieure à 100 m. Au-delà de cette longueur, doublez la section.

AVERTISSEMENT: N'utilisez jamais de câbles endommagés. Ils peuvent causer des blessures corporelles graves, voire mortelles.

REMARQUE: Pour que le moteur offre de bonnes performances, la tension doit être appropriée. Des rallonges trop longues et/ou dotées d'un calibre trop petit réduisent la puissance du moteur en charge.

Équipement de protection individuelle

AVERTISSEMENT: Utilisez impérativement un équipement de protection individuel homologué lors de tout travail avec le produit. L'équipement de protection personnelle n'élimine pas les risques mais réduit la gravité des blessures en cas d'accident. Demandez conseil à votre revendeur afin de choisir un équipement adéquat.

AVERTISSEMENT: L'utilisation de produits tels que les fraises, les meuleuses ou les foreuses pour poncer ou découper un matériau peut produire de la poussière et des vapeurs susceptibles de contenir des substances chimiques dangereuses. Vérifiez la nature du matériau que vous souhaitez travailler et utilisez un masque respiratoire approprié. Une exposition prolongée au bruit risque de causer des lésions auditives permanentes. Utilisez toujours des protège-oreilles homologués. Restez attentif aux signaux d'alerte ou aux appels lorsque vous portez des protège-oreilles. Enlevez toujours vos protège-oreilles dès que le moteur s'arrête.

Utilisez toujours :

- Casque de protection homologué.
- Des protège-oreilles.
- Protection pour les yeux homologuée. L'utilisation d'un écran facial doit toujours s'accompagner du port de lunettes de protection homologuées.
- Masque respiratoire.
- Gants solides permettant une prise sûre.
- Vêtements confortables, robustes et serrés qui permettent une liberté totale de mouvement.

- Bottes avec coquille en acier et semelle antidérapante.
- Une trousse de premiers secours doit toujours être disponible.

Sécurité carburant

Les niveaux de carburant et d'huile doivent être vérifiés régulièrement. Consultez le manuel du fabricant du moteur si nécessaire.

AVERTISSEMENT: Prenez en compte les conditions de travail du point de vue de la santé et de la sécurité.

AVERTISSEMENT: Faire tourner un moteur dans un local fermé ou mal aéré peut causer la mort par asphyxie ou empoisonnement au monoxyde de carbone. Utilisez des ventilateurs pour assurer une bonne circulation de l'air lorsque vous travaillez dans des tranchées ou des fossés d'une profondeur supérieure à un mètre (3 ft).

AVERTISSEMENT: Le carburant et les vapeurs de carburant sont très inflammables. Ils peuvent causer des blessures graves en cas d'inhalation ou de contact avec la peau. Il convient donc d'observer la plus grande prudence lors de la manipulation du carburant et de veiller à disposer d'une bonne aération. Les gaz d'échappement du moteur sont très chauds et peuvent contenir des étincelles pouvant provoquer un incendie. Par conséquent, ne démarrez jamais le produit dans un local clos ou à proximité de matériaux inflammables !

AVERTISSEMENT: Ne fumez jamais ni ne placez d'objet chaud à proximité du carburant.

Consignes de sécurité pour l'entretien

AVERTISSEMENT: Les contrôles et/ou les entretiens doivent être effectués avec le moteur à l'arrêt et la prise électrique débranchée.

REMARQUE: L'inspection du tambour s'effectue par la plaque latérale. Un produit incliné vers l'arrière reposant sur le guidon entraîne une fuite d'huile susceptible de l'endommager.

Nous vous recommandons de respecter les intervalles d'entretien, d'effectuer les contrôles périodiques et de

n'utiliser que les pièces de rechange d'origine pour les réparations et l'entretien.

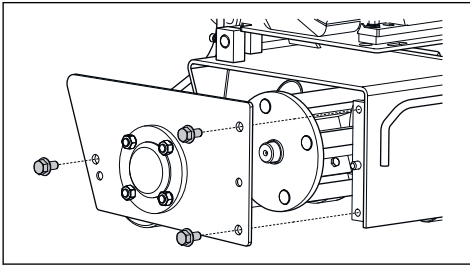
Montage

Généralités

AVERTISSEMENT: Le produit doit être éteint et le câble électrique débranché de la prise.

Pour intervenir les tambours

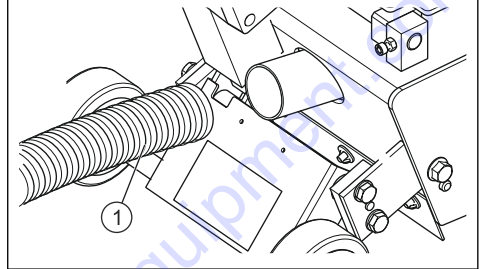
1. Dévissez les trois vis.
2. Déposez la plaque latérale.
3. Montez le tambour et faites-le glisser sur son arbre.



Pour brancher l'extracteur de poussière

Utilisez toujours un aspirateur pour réduire la poussière. Veiller à ce que les filtres de l'aspirateur soient en bon état et propres. Faire attention à la poussière au cours de l'opération.

1. Branchez l'extracteur de poussière (1) sur le produit.



Utilisation

Introduction

AVERTISSEMENT: Lisez attentivement et assimilez le manuel d'utilisation avant d'utiliser le produit.

AVERTISSEMENT: Portez un équipement de protection personnelle. Consultez la section *Équipement de protection individuelle à la page 21* pour plus d'instructions.

AVERTISSEMENT: Veiller à ce qu'aucune personne non autorisée ne se trouve dans la zone de travail pour éviter le risque de blessures graves.

AVERTISSEMENT: Vérifiez que le produit est monté correctement et ne présente aucun dommage.

REMARQUE: L'équipement répond aux exigences EN61000-3-11 et est soumis à un branchement au secteur sous conditions. Il peut être branché avec l'aide de l'autorité d'approvisionnement. L'équipement ne doit

être branché au secteur qu'avec une impédance inférieure à 0,26 ohm. Le système d'impédance au point d'interface peut être obtenu auprès de l'autorité d'approvisionnement.

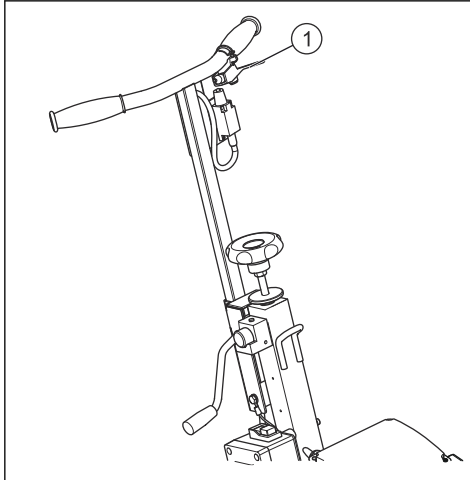
Si le secteur présente un système d'impédance plus élevé, de brèves baisses de tension peuvent se produire lors du démarrage de l'équipement. Cela peut influencer sur le fonctionnement d'autres produits, par exemple les feux clignotants.

Pour démarrer

REMARQUE: L'opérateur est positionné derrière le produit, les deux mains sur les poignées. Tenez-vous à une distance sûre de l'outil rotatif. Assurez-vous qu'aucun tuyau ou câble électrique ne passe par la zone de travail ou dans le matériau à découper. Ne laissez pas le produit sans surveillance lorsque le moteur tourne.

Remarque: Lorsque le produit est allumé, il se déplace vers l'avant de manière incontrôlée en raison de l'activation du tambour.

1. Pour démarrer le produit, saisissez la poignée de commande de présence de l'opérateur sur l'arbre de direction.
2. Le moteur s'arrête si la poignée de commande de présence de l'opérateur (1) est relâchée.



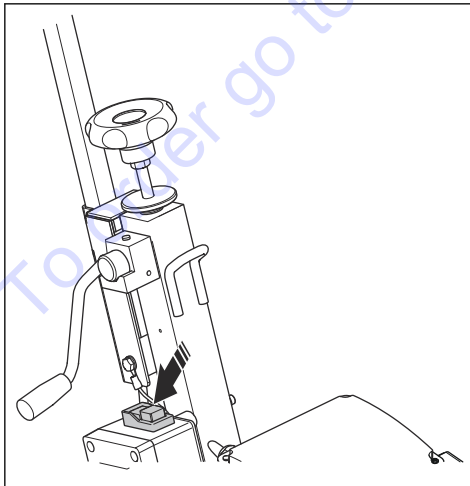
3. Vérifiez régulièrement que cette dernière fonctionne correctement. Ne la verrouillez pas.

Pour démarrer le produit combustible

1. Pour démarrer le moteur, consultez le manuel du fabricant du moteur.
2. Faites chauffer le moteur.

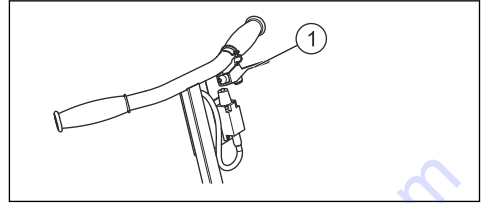
Pour démarrer le produit électrique

1. Pour démarrer le produit, mettez l'interrupteur de démarrage du moteur sur la position Marche (I).



Pour arrêter le produit

1. Pour arrêter le produit, relâchez la poignée de commande de présence de l'opérateur (1).



Pour choisir une tête de coupe

Différentes têtes de coupe peuvent être utilisées en fonction des situations. Il existe trois têtes coupe principales que vous pouvez utiliser : la tête de coupe en étoile, la tête de coupe à rayon et la tête de coupe en carbure.

- Utilisez la tête de coupe en étoile pour nettoyer ou enlever la peinture époxy, l'huile, la glaçure, la colle et le marquage au sol thermoplastique.
- La tête de coupe à rayon peut être utilisée pour préparer de l'asphalte et du béton, pour nettoyer des rainures antidérapantes comme celles des rampes, pour décaper l'acier et pour nettoyer les routes avant le marquage au sol.
- Utilisez la tête de coupe en carbure pour texturer l'asphalte et le béton.

Pour broyer le béton

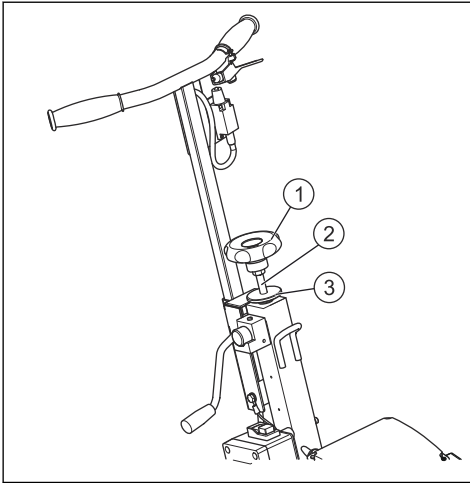
Remarque: La profondeur de coupe maximale est de 3 mm (1/8") ; pour les coupes plus profondes, procédez en plusieurs étapes.

1. Faites passer le produit à plusieurs reprises en fonction de la nature du béton.
2. Contrôlez le béton et cessez de le broyer lorsque vous obtenez le résultat souhaité.

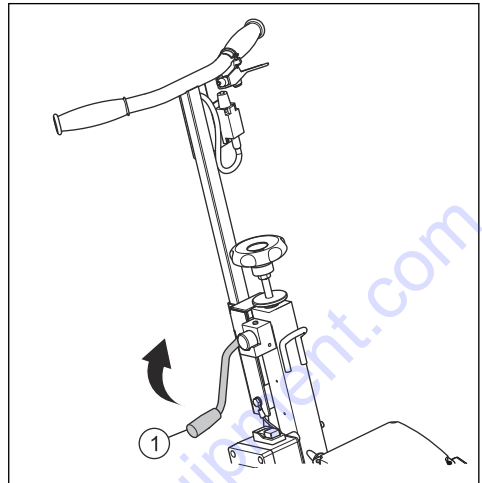
Pour régler la profondeur de coupe

La profondeur de coupe peut être réglée en fonction des besoins.

1. Réglez le volant (1) qui agira sur la vis (2).



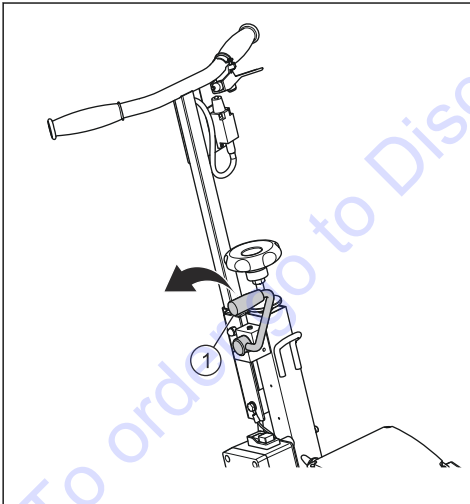
2. Poussez le levier (1) vers l'avant pour activer le tambour.



2. Faites tourner l'écrou (3) pour verrouiller la vis et fixez la profondeur de coupe.

Pour activer ou désactiver le tambour

1. Tirez le levier (1) vers l'arrière pour désactiver le tambour.



Maintenance

Introduction

AVERTISSEMENT: Avant tout travail d'entretien, débranchez le produit de l'alimentation électrique.

REMARQUE: Maintenez les outils avec précaution.

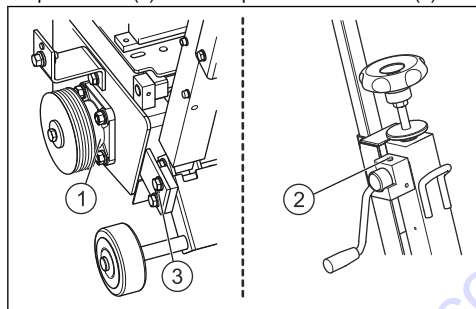
Pour contrôler le produit avant utilisation

1. Contrôlez l'huile moteur.
2. Effectuez un contrôle général, en vérifiant qu'aucun écrou ou boulon n'est desserré.

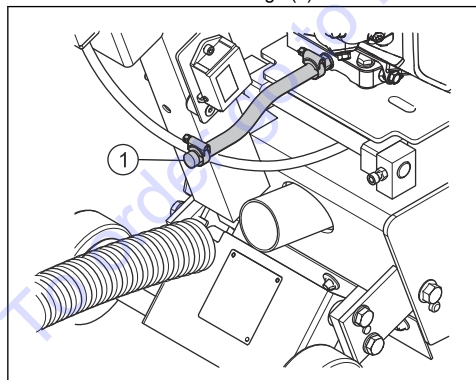
Pour contrôler le produit après utilisation.

REMARQUE: Mettez l'huile usagée au rebut conformément aux réglementations en vigueur.

1. Nettoyez le produit.
2. Lubrifiez les raccords de graissage sur l'empattement (1), sur le palier de réglage de profondeur (2) et sur les paliers des rouleaux (3).



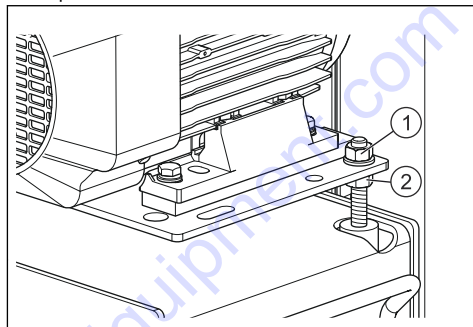
3. Consultez le manuel d'utilisation du moteur pour remplacer l'huile moteur.
4. Pour vidanger l'huile moteur, placez un entonnoir au niveau de la sortie de vidange (1).



Pour contrôler la tension de la courroie

AVERTISSEMENT: Ne réglez jamais les courroies à une tension supérieure à la tension d'origine.

1. Contrôlez la tension de la courroie chaque semaine.
2. Serrez l'écrou de verrouillage (1) et l'écrou (2) afin de régler la tension de la courroie. Ne serrez pas trop fort.



Dépannage

Dépannage de l'équipement

moteur à l'arrêt et la prise électrique débranchée.

AVERTISSEMENT: Les contrôles et/ou les entretiens doivent être effectués avec le

En cas de fonctionnement défectueux, reportez-vous aux tableaux ci-dessous pour trouver une solution.

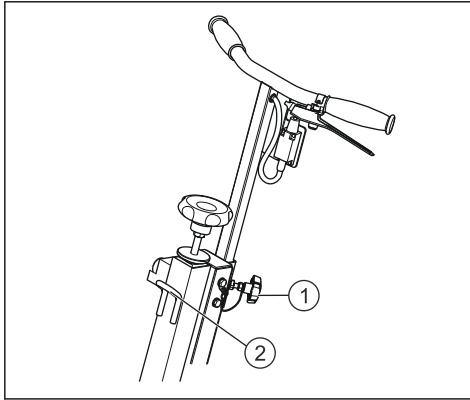
PROBLÈMES	CAUSES	SOLUTIONS
Le moteur ou le tambour ne tourne pas	Pas branchée correctement ou câble endommagé	Assurez-vous que l'alimentation est correctement branchée (prise, rallonge, etc.). Vérifiez le câble d'alimentation.
	Aucune tension secteur	Testez ou faites tester par un électricien (coupe-circuit, prise, etc.).
	Interrupteur défectueux, câble de moteur endommagé	Faites tester par un électricien ou contactez le service après-vente.
	Moteur défectueux (pas de puissance, odeur désagréable)	Contactez le service après-vente pour faire remplacer le moteur.
	Le moteur à essence ne démarre pas	Si le moteur s'est arrêté, reportez-vous aux instructions d'entretien du moteur, contactez le service après-vente ou détectez la bougie défectueuse ou desserrée.
	La courroie est cassée	Contactez le service des pièces détachées pour un remplacement.
	Le tambour est bloqué	Assurez-vous que le produit est débranché de l'alimentation. Vérifiez que le tambour tourne et retirez tout élément empêchant la rotation.
Difficile à démarrer	Le tambour frotte contre le sol	Libérez le tambour afin d'en faciliter le démarrage.
	Condensateur de démarrage du moteur	Remplacez le condensateur.
Le fonctionnement est inefficace, entrecoupé de mouvements brusques et de vibrations importantes	La position du tambour est trop basse	Vérifiez la fixation du tambour (broyeurs). Changez le tambour, les fraises ou la brosse, etc.
	Les outils sont usés	
	Une vibration anormale émane de la rainure ou du broyeur	Vérifiez que les fraises tournent correctement sur les quatre arbres. Remplacez le tambour ou les fraises.
	L'usure de la fraise est anormale	

Transport, entreposage et mise au rebut

Transport

Soyez attentif aux points suivants lorsque vous transportez le produit.

- La hauteur de l'arbre de direction peut être réglée en tournant le bouton (1).



- Lors de l'installation sur le chantier, le produit peut être déplacé sans démarrer le moteur ; il suffit de le pousser sur ses trois roues.

- Un anneau de levage (2) permet de lever le produit.

Remisage

AVERTISSEMENT: Stockez le produit en position verticale dans un endroit sec, hors de portée des enfants.

Mise au rebut

En cas de détérioration et de mise au rebut du produit, les éléments suivants doivent être mis au rebut conformément aux exigences de la législation en vigueur.

- Moteur : Aluminium (AL), acier (AC), cuivre (CU), polyamide (PA)
- Produit : Tôle en acier (AC), fonte (FT), aluminium (AL)

Caractéristiques techniques

Caractéristiques techniques de l'équipement

CG 200	Électrique	Essence 5 ch	Essence 9 ch
Profondeur de coupe, max., mm	13	13	13
Largeur de travail utile, mm	200	200	200
Tension nominale (V)	220-240	ND	ND
Poids (en excluant le carburant, l'huile et les outils) en kg	58	54	64
Dimensions (L x l x H), mm	780 x 475 x 730	780 x 470 x 730	840 x 530 x 730
Vitesse de rotation du tambour (vitesse maximale hors charge), tr/min	1350	1350	1350
Moteur de commande de la boîte de vitesses à huile, qualité/standard	Consultez le manuel du fabricant du moteur	Consultez le manuel du fabricant du moteur	Consultez le manuel du fabricant du moteur
Émissions sonores⁴			
Niveau de puissance sonore mesuré dB(A)	112	113	114
Niveau de puissance acoustique, garanti L _{WA} dB(A)	114	114	116
Niveaux sonores⁵			
Niveau de pression sonore à l'oreille de l'utilisateur, dB(A)	101	100,1	101,3

⁴ Remarque 1 : Émissions sonores dans l'environnement mesurées en tant que puissance acoustique (L_{WA}) conformément à la norme EN 60335-2-72.

⁵ Remarque 2 : niveau de pression sonore conformément à la norme EN 60335-2-72. Mesure d'incertitude attendue : 1,5 dB(A).

CG 200	Électrique	Essence 5 ch	Essence 9 ch
Niveaux de vibration, a_{HV}^6			
Poignée droite, m/s^2	6,6	12,8	10,1
Poignée gauche, m/s^2	4,4	11,0	9,8

Entretien

Entretien du produit

REMARQUE: Les réparations ne peuvent être effectuées que par des réparateurs agréés.

Pour que les pièces de rechange soient livrées rapidement et pour éviter toute perte de temps, il est impératif de mentionner les données figurant sur la plaque du fabricant fixée sur le produit ainsi que le numéro d'article de la pièce à remplacer lors de chaque commande.

⁶ Remarque 3 : Niveau de vibrations conformément à la norme EN 60335-2-72. Les données reportées pour le niveau de vibrations montrent une dispersion statistique typique (déviations standard) de 1,5 m/s^2 .

Inhalt

Einleitung.....	30	Fehlersuche.....	40
Sicherheit.....	33	Transport, Lagerung und Entsorgung.....	40
Montage.....	36	Technische Daten.....	41
Betrieb.....	36	Service.....	42
Wartung.....	38	EG-Konformitätserklärung.....	42

Einleitung

Produktbeschreibung

Für den Einsatz auf Beton, Asphalt, Farbe und andere Beschichtungen, Kleber und Stahl. Darf nicht für andere Zwecke als in diesem Handbuch beschrieben verwendet werden.

Verwendungszweck

Nuten/Fräsen, Strukturieren und Reinigen.

TO PURCHASE THIS PRODUCT PLEASE CONTACT US



**Equipment Financing and
Extended Warranties Available**



**Discount-Equipment.com is your online resource for
commercial and industrial quality parts and equipment sales.**

561-964-4949

visit us on line @ www.discount-equipment.com

Select an option below to find your Equipment

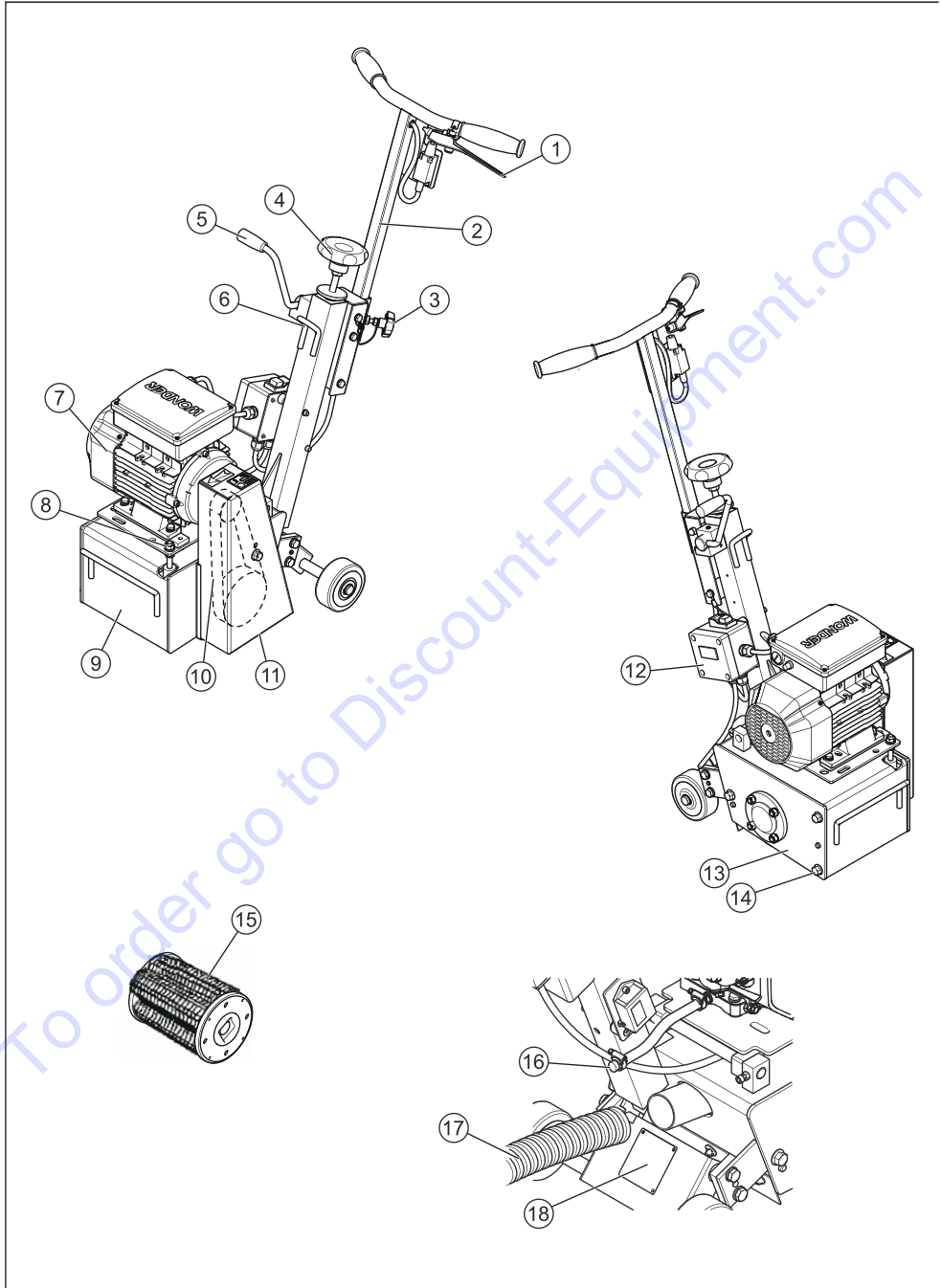
Search by Manufacturer

Search by Product Type

Request a Quote

We sell worldwide for the brands: Genie, Terex, JLG, MultiQuip, Mikasa, Essick, Whiteman, Mayco, Toro Stone, Diamond Products, Generac Magnum, Airman, Haulotte, Barreto, Power Blanket, Nifty Lift, Atlas Copco, Chicago Pneumatic, Allmand, Miller Curber, Skyjack, Lull, Skytrak, Tsurumi, Husquvarna Target, Stow, Wacker, Sakai, Mi-T-M, Sullair, Basic, Dynapac, MBW, Weber, Bartell, Bennar Newman, Haulotte, Ditch Runner, Menegotti, Morrison, Contec, Buddy, Crown, Edco, Wyco, Bomag, Laymor, EZ Trench, Bil-Jax, F.S. Curtis, Gehl Pavers, Heli, Honda, ICS/PowerGrit, IHI, Partner, Imer, Clipper, MMD, Koshin, Rice, CH&E, General Equipment, Amida, Coleman, NAC, Gradall, Square Shooter, Kent, Stanley, Tamco, Toku, Hatz, Kohler, Robin, Wisconsin, Northrock, Oztec, Toker TK, Rol-Air, APT, Wylie, Ingersoll Rand / Doosan, Innovatech, Con X, Ammann, Mecalac, Makinex, Smith Surface Prep, Small Line, Wanco, Yanmar

Produktübersicht



1. Sicherungshebel (Bedienerpräsenzsteuerung)
2. Lenkwelle
3. Drehknopf Welleneinstellung
4. Tiefeneinstellknopf (mm)
5. Hebel für schnelles Heben/Senken
6. Hebeöse
7. Motor
8. Riemenspanner
9. Chassis
10. Getriebe
11. Riemenschutz
12. Ein-/Ausschalter
13. Trommelschutzplatte
14. Trommelschutzbefestigung
15. 200 mm breite Trommel
16. Ablaufverlängerung
17. Staubabsaugschlauch
18. Typenschild



WARNUNG! Beim Schneiden bildet sich Staub, der beim Einatmen Gesundheitsschäden hervorrufen kann. Einen zugelassenen Atemschutz verwenden. Atmen Sie die Abgase nicht ein. Für gute Belüftung sorgen.



Vorsicht, Schneidegefahr.



Low Speed (L).



High Speed (S).



Choke-Hebel.



Umweltkennzeichen. Symbole auf dem Produkt oder seiner Verpackung weisen darauf hin, dass dieses Produkt nicht über den Hausmüll entsorgt werden darf. Es ist stattdessen einer entsprechenden Recycling-Einrichtung zuzuführen, damit elektrische und elektronische Komponenten wiedergewonnen werden können. Dadurch, dass Sie sicherstellen, dass Sie mit diesem Produkt sorgfältig umgehen, können Sie helfen, den potentiellen negativen Auswirkungen auf die Umwelt und Ihre Mitmenschen entgegenzuwirken, die sich andernfalls durch eine unsachgemäße Entsorgung dieses Produkts ergeben können. Genauere Informationen über die ordnungsgemäße Entsorgung dieses Produkts erhalten Sie bei Ihrer Stadtverwaltung, Ihrem Abfallentsorgungsunternehmen oder dem Geschäft, in dem Sie Ihr Produkt gekauft haben.

Sonstige Symbole/Aufkleber am Gerät beziehen sich auf spezielle Zertifizierungsanforderungen, die in bestimmten Ländern gelten.

Symbole auf dem Produkt



WARNUNG! Das Gerät kann falsch oder nachlässig angewendet gefährlich sein und zu schweren oder gar lebensgefährlichen Verletzungen des Benutzers oder anderer Personen führen.



Lesen Sie stets die Gebrauchsanweisung, bevor Sie das Produkt zum ersten Mal in Betrieb nehmen.



Mit diesem Symbol wird angezeigt, dass das Produkt der geltenden europäischen Richtlinie entspricht.



Tragen Sie persönliche Schutzausrüstung. Siehe *Persönliche Schutzausrüstung* auf Seite 35 für Anweisungen.

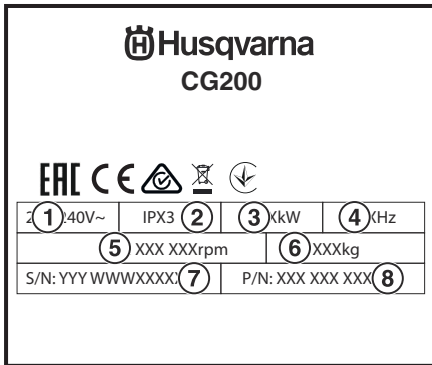


Umweltbelastende Geräuschemissionen gemäß der Richtlinie der Europäischen Gemeinschaft. Die Emission des Gerätes ist im Abschnitt „Technische Daten“ und auf dem Geräteschild angegeben.



Heiße Oberfläche.

Typenschild



1. Stromversorgungsspannung
2. Wasserdicht
3. Nennleistung des Motors
4. Frequenz
5. Umdrehungen pro Minute
6. Gesamtgewicht
7. Herstellungsdatum, Jahr, Woche, Seriennummer
8. Produktnummer

Produkthaftung

Jedes Produkt wird, bevor es das Werk verlässt, einem umfangreichen Prüfverfahren unterzogen, in welchem alle Funktionen genau geprüft werden. Durch das Befolgen der Anweisungen wird eine lange Nutzungsdauer Ihres Produkts unter normalen Betriebsbedingungen sichergestellt.

Der Hersteller übernimmt keinerlei Haftung für den Verlust oder die Beschädigung aufgrund von unsachgemäßer Verwendung oder von Veränderungen, Umbauten oder Leistungsänderungen, die nicht den Original-Spezifikationen des Herstellers entsprechen.

Die in diesem Dokument aufgeführten Benutzer-Tipps und Ersatzteile dienen nur der Veranschaulichung. Wir übernehmen keine Garantie für Fehler oder fehlende Angaben oder für Schäden, die bei der Lieferung oder aufgrund der Konstruktion oder Verwendung des Produkts entstehen. Die Qualität unserer Produkte ist uns sehr wichtig. Wir behalten uns daher das Recht vor, ohne vorherige Ankündigung an unseren Produkten zu deren Optimierung technische Änderungen vorzunehmen.

Sicherheit

Sicherheitsdefinitionen

Warnungen, Vorsichtsmaßnahmen und Hinweise werden verwendet, um auf besonders wichtige Teile der Bedienungsanleitung hinzuweisen.

WARNUNG: Wird verwendet, wenn bei Nichtbeachtung der Anweisungen in diesem Handbuch die Gefahr von Verletzung oder Tod des Bedieners oder anderer Personen besteht.

ACHTUNG: Wird verwendet, wenn bei Nichtbeachtung der Anweisungen in diesem Handbuch die Gefahr von Schäden am Gerät, an anderen Materialien oder in der Umgebung besteht.

Hinweis: Für weitere Informationen, die in bestimmten Situationen nötig sind.

Allgemeine Sicherheitshinweise

WARNUNG: Lesen Sie die Bedienungsanleitung sorgfältig durch und machen Sie sich mit dem Inhalt vertraut, bevor Sie das Gerät benutzen.

WARNUNG: Lesen Sie die dem Motor beiliegende Bedienungsanleitung sorgfältig durch und machen Sie sich mit den Anweisungen vertraut, bevor Sie das Produkt benutzen.

Das Produkt ist für sicheres und zuverlässiges Fräsen in Umgebungsbedingungen entsprechend der Anweisungen ausgelegt. Allerdings besteht Verletzungsgefahr und die Gefahr von Sachschäden, daher ist eine regelmäßige Inspektion vor Ort unerlässlich, um Folgendes sicherzustellen:

- Einwandfreier technischer Zustand (sachgemäße Anwendung und berücksichtigen von Risiken und Behebungen von Störungen, die die Sicherheit beeinträchtigen).
- Warnungen und Anweisungen auf dem Produkt werden befolgt (ordnungsgemäßer Schutz von Personen, korrekte Verwendung, allgemeine Sicherheitshinweise usw.).
- **Der Gebrauch des Produkts ist Personen (einschl. Kindern), die über eingeschränkte körperliche, sensorische oder geistige Fähigkeiten verfügen oder denen es an der erforderlichen Erfahrung und Kenntnissen mangelt, untersagt.**
- **Kinder müssen beaufsichtigt werden, damit sie nicht mit dem Gerät spielen.**
- Das Produkt ist für die gewerbliche Nutzung vorgesehen.

WARNUNG: Lassen Sie das Netzkabel nicht in Kontakt mit rotierenden Bürsten kommen.

Hinweis: Die Bedienungsanleitung ist stets am Arbeitsplatz aufzubewahren. Jede Person, die das Produkt installiert oder sie verwendet, sollte sie lesen und sicherstellen, dass sie den Inhalt versteht. Die in dem Land, in dem das Produkt verwendet wird, geltenden technischen Vorschriften müssen aus Gründen maximaler Sicherheit auch eingehalten werden.

Sicherheitshinweise für die Montage

Die originalen Trommeln des Herstellers sollten verwendet werden. Verwenden Sie keine andere Trommel, deren Form, Größe und Befestigung nicht in das Produkt passt.

Prüfen Sie, ob die Teile ordnungsgemäß befestigt sind (keine auffälligen Vibrationen) und ob alles korrekt zusammengebaut ist.

Änderungen, Umwandlungen oder Ergänzungen dürfen nicht die Sicherheit beeinträchtigen und ohne vorherige Genehmigung des Herstellers vorgenommen werden.

Sicherheitshinweise für den Betrieb

WARNUNG: In diesem Abschnitt werden grundlegende Sicherheitsregeln vorgestellt. Diese Information kann natürlich in keiner Weise die Ausbildung und langjährige Erfahrung eines Fachmanns ersetzen. Wenn Sie in eine Situation geraten, in der Sie unsicher sind, sollten Sie einen

Fachmann um Rat fragen. Fragen Sie Ihren Fachhändler, Ihre Servicewerkstatt oder einen erfahrenen Anwender. Vermeiden Sie jede Arbeit, für die Sie nicht ausreichend qualifiziert sind!

WARNUNG: Die Werkzeugwelle dreht sich, wenn der Motor anspringt.

WARNUNG: Achten Sie auf den heißen Schalldämpfer. Verwenden Sie Handschuhe/Schutzausrüstung.

Das Produkt muss von kompetenten Mitarbeitern (Qualifikationen, Alter, Ausbildung) bedient werden, die die Anleitung vor Beginn der Arbeit genau gelesen und verstanden haben. Jedes elektrische, mechanische oder sonstige Problem muss von einem qualifizierten Wartungstechniker (Elektriker, Leiter Instandhaltung, autorisierten Händler usw.) untersucht werden.

- Prüfen Sie bei Empfang des Produkts seinen Zustand.
- Halten Sie das Produkt stets sauber.
- Arbeiten Sie stets sehr aufmerksam.

Elektrische Sicherheit

Das Gerät darf nur mit der korrekten Spannungsversorgung betrieben werden.

WARNUNG: Bei elektrisch angetriebenen Produkten besteht immer die Gefahr von elektrischen Schlägen. Vermeiden Sie ungünstige Witterungsbedingungen und den Körperkontakt mit Blitzableitern und Gegenständen aus Metall. Befolgen Sie unbedingt die Anweisungen in der Bedienungsanleitung, um Schäden zu vermeiden. Schließen Sie das Produkt niemals an eine Steckdose an, wenn Stecker oder Kabel beschädigt sind.

WARNUNG: Bei unsachgemäßem Anschluss besteht die Gefahr eines elektrischen Schlags. Wenden Sie sich an einen qualifizierten Elektriker, wenn Sie sich nicht sicher sind, ob das Gerät richtig geerdet ist. Der Stecker darf nicht verändert werden. Sollte der Stecker nicht in die Steckdose passen, muss eine geeignete Steckdose durch einen qualifizierten Elektriker installiert werden. Stellen Sie sicher, dass örtliche Bestimmungen und Verordnungen eingehalten werden. Wenden Sie sich an einen qualifizierten Elektriker, wenn Sie die Erdungsanweisungen nicht vollständig verstanden haben.

- Überprüfen Sie regelmäßig, dass der Motor gewartet wird (Verbrennungsmotor) und den Zustand des Versorgungskabels und Verlängerungskabels (Elektromotor).
- Prüfen Sie die Netzspannung. Siehe *Technische Daten des Geräts auf Seite 41*.
- Stellen Sie sicher, dass der Motor bei Längen von weniger als 100 m mit einem Stromkabel mit einem Leiterquerschnitt von 4 mm² angeschlossen wird. Liegt die Länge darüber, muss der Querschnitt verdoppelt werden.
- Feste, griffsichere Handschuhe.
- Eng anliegende, kräftige und bequeme Kleidung tragen, die volle Bewegungsfreiheit gewährt.
- Stiefel mit Stahlkappe und rutschfester Sohle.
- Ein Erste-Hilfe-Set soll immer griffbereit sein.

Sicherer Umgang mit Kraftstoff

Der Kraftstoff- und Ölstand müssen regelmäßig überprüft werden. Falls erforderlich, ziehen Sie die Bedienungsanleitung des Motorherstellers heran.

WARNUNG: Verwenden Sie niemals beschädigte Kabel. Diese können schwere, sogar lebensgefährliche Verletzungen verursachen.

WARNUNG: Berücksichtigen Sie bei den Arbeitsbedingungen stets Gesundheit und Sicherheit.

ACHTUNG: Eine gute Motorleistung hängt von der richtigen Spannung ab. Verlängerungskabel, die zu lang sind und/oder einen zu geringen Querschnitt aufweisen, reduzieren die Leistung des Motors bei Belastung.

WARNUNG: Einen Motor in einem geschlossenen oder schlecht belüfteten Raum laufen zu lassen, kann zum Tod durch Ersticken oder Kohlenmonoxidvergiftung führen. Bei der Arbeit in über ein Meter tiefen Baugruben sollen die Lüfter eingeschaltet werden, um eine bessere Luftzirkulation zu gewährleisten.

Persönliche Schutzausrüstung

WARNUNG: Bei der Benutzung des Gerätes muss die vorgeschriebene persönliche Schutzausrüstung angewendet werden. Die persönliche Schutzausrüstung beseitigt nicht die Unfallgefahr, begrenzt aber den Umfang der Verletzungen und Schäden. Bei der Wahl der Schutzausrüstung einen Fachhändler um Rat fragen.

WARNUNG: Kraftstoff und Kraftstoffdämpfe sind sehr feuergefährlich und können beim Einatmen und auf der Haut schwere Schäden verursachen. Beim Umgang mit Kraftstoff ist daher Vorsicht geboten und für eine gute Belüftung zu sorgen. Die Motorabgase sind heiß und können Funken enthalten, die einen Brand verursachen können. Aus diesem Grunde sollte das Produkt niemals im Innenbereich oder in der Nähe von feuergefährlichen Stoffen gestartet werden!

WARNUNG: Die Verwendung von Fräsmaschinen, Schleifmaschinen und Bohrern, die Material abschleifen oder umformen, kann Staub und Ausdünstungen verursachen, die gefährliche Chemikalien enthalten können. Überprüfen Sie die Beschaffenheit des Materials, das Sie bearbeiten wollen, und verwenden Sie einen geeigneten Atemschutz. Eine längerfristige Beschallung mit Lärm kann zu bleibenden Gehörschäden führen. Stets einen zugelassenen Gehörschutz tragen. Achten Sie immer genau auf Warnsignale oder Rufe, wenn Sie den Gehörschutz tragen. Nehmen Sie den Gehörschutz immer ab, sobald der Motor abgestellt ist.

WARNUNG: Beim Tanken nicht rauchen und jegliche Wärmequellen vom Kraftstoff fernhalten.

Sicherheitshinweise für die Wartung

WARNUNG: Kontrollen und/oder Wartungsarbeiten sind bei abgeschaltetem Motor und abgezogenem Stecker durchzuführen.

Benutzen Sie immer:

- Einen zugelassenen Schutzhelm.
- Gehörschutz.
- Einen zugelassenen Augenschutz. Bei der Benutzung eines Gesichtsschutzes ist auch eine zugelassene Schutzbrille zu tragen.
- Atemschutzmaske.

ACHTUNG: Die Trommel wird durch das Seitenblech überprüft. Wird das Produkt nach hinten geneigt und auf den Lenker gelegt, kommt es zu Öllecks und Schäden.

Wir empfehlen die Einhaltung der Wartungsintervalle und regelmäßige Kontrollen sowie die ausschließliche Verwendung von Original-Ersatzteilen für Reparatur und Wartung.

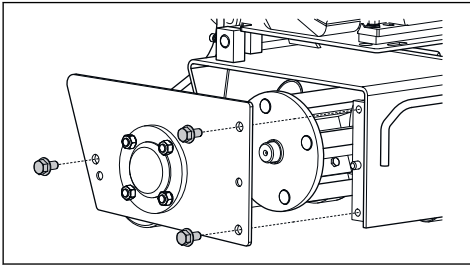
Montage

Allgemein

WARNUNG: Das Produkt sollte ausgeschaltet und das Stromversorgungskabel von der Steckdose getrennt werden.

So tauschen Sie die Trommeln aus

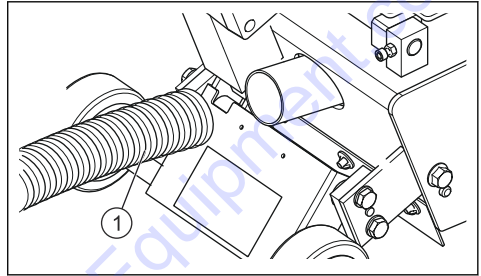
1. Lösen Sie die drei Schrauben.
2. Entfernen Sie die Seitenplatte.
3. Montieren Sie die Trommel, indem Sie sie auf die Welle schieben.



So schließen Sie den Staubabsauger an

Verwenden Sie immer einen Staubsauger, um die Staubentwicklung so gering wie möglich zu halten. Stellen Sie sicher, dass die Filter des Unterdrucksaugers intakt und sauber sind. Achten Sie während des Betriebs auf die Staubentwicklung.

1. Schließen Sie den Staubabsauger (1) an das Produkt an.



Betrieb

Einleitung

WARNUNG: Lesen Sie die Bedienungsanleitung sorgfältig durch und machen Sie sich mit dem Inhalt vertraut, bevor Sie das Gerät benutzen.

WARNUNG: Tragen Sie persönliche Schutzausrüstung. Siehe *Persönliche Schutzausrüstung auf Seite 35* für Anweisungen.

WARNUNG: Sorgen Sie dafür, dass sich innerhalb des Arbeitsbereichs keine unbefugten Personen aufhalten, andernfalls besteht die Gefahr von schweren Verletzungen.

WARNUNG: Überprüfen Sie, dass das Produkt korrekt montiert ist und keine Schäden aufweist.

ACHTUNG: Das Gerät erfüllt die Anforderungen nach EN 61000-3-11 und kann unter bestimmten Bedingungen an das Netz angeschlossen werden. Es kann in

Abprache mit dem Energieversorgungsunternehmen angeschlossen werden. Das Gerät kann nur an das Stromnetz angeschlossen werden, wenn die Impedanz weniger als 0,26 Ohm beträgt. Die Systemimpedanz am Anschlusspunkt kann beim Energieversorgungsunternehmen erfragt werden.

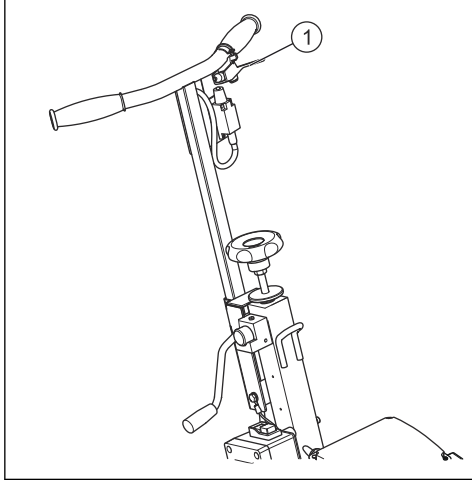
Wenn das Stromnetz über eine höhere Impedanz verfügt, können beim Start des Geräts kurze Spannungseinbrüche auftreten. Dies kann Einfluss auf den Betrieb anderer Produkte haben, z. B. Flackern von Lampen.

So starten Sie das Produkt

ACHTUNG: Der Bediener muss sich hinter dem Produkt befinden und den Lenker mit beiden Händen festhalten. Halten Sie einen sicheren Abstand zum rotierenden Werkzeug. Stellen Sie außerdem sicher, dass weder unter dem Arbeitsbereich noch im Schneidegut Versorgungsleitungen verlegt sind. Lassen Sie das Produkt nicht unbeaufsichtigt, während der Motor läuft.

Hinweis: Wenn das Gerät eingeschaltet wird, bewegt es sich durch die aktivierte Trommel unkontrolliert vorwärts.

1. Um das Produkt zu starten, greifen Sie den Steuergriff der Bedienerpräsenzsteuerung an der Lenkwelle.
2. Der Motor stoppt, wenn der Steuergriff der Bedienerpräsenzsteuerung (1) losgelassen wird.



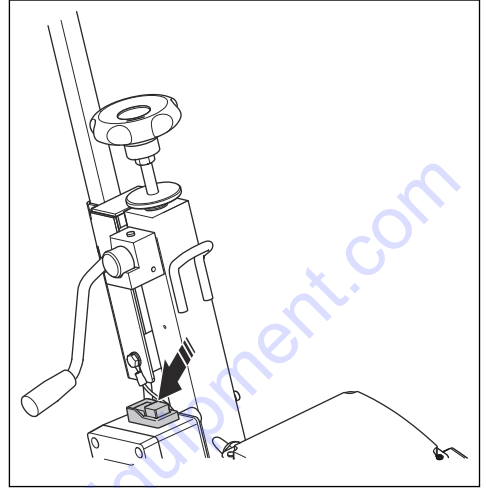
3. Überprüfen Sie regelmäßig, ob er richtig funktioniert. Stellen Sie ihn auf keinen Fall fest.

So starten Sie das Produkt mit Verbrennungsmotor

1. Zum Anlassen des Motors siehe die Bedienungsanleitung des Motorherstellers.
2. Lassen Sie den Motor warm laufen.

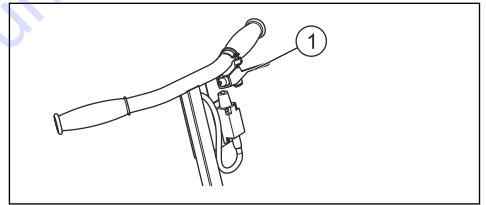
So starten Sie das Produkt mit Elektromotor

1. Um das Produkt zu starten, stellen Sie den Motorstartschalter auf ON(I).



So stoppen Sie das Produkt

1. Um das Produkt zu stoppen, lassen Sie den Steuergriff der Bedienerpräsenzsteuerung (1) los.



So wählen Sie einen Fräser

In verschiedenen Situationen können verschiedene Fräser eingesetzt werden. Es stehen im Wesentlichen drei Schneidköpfe zur Auswahl: Sternfräser, Rillenfräser und Hartmetallfräser.

- Verwenden Sie den Sternfräser zum Reinigen oder Entfernen von Epoxidfarbe, Öl und Lasuren, Klebstoff und Straßenmarkierungen aus Thermoplast.
- Der Rillenfräser kann verwendet werden zur leichten Vorbereitung von Asphalt und Beton, zum Reinigen von Rillen, beispielsweise auf Rampen, zum Entzundern von Stahl und zum Reinigen von Straßen, die für eine Markierung mit Linien vorbereitet wurden.
- Verwenden Sie den Hartmetallfräser, um Asphalt und Beton zu strukturieren.

So fräsen Sie Beton

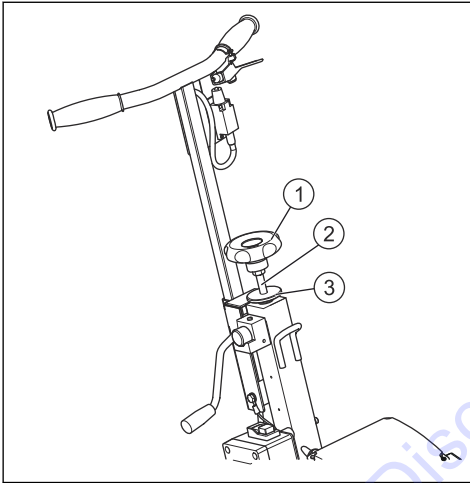
Hinweis: Die Schnitttiefe beträgt maximal 3 mm, führen Sie tiefere Schnitte in Etappen aus.

1. Führen Sie das Gerät je nach dessen Beschaffenheit mehrmals über den Beton.
2. Prüfen Sie den Beton- und beenden Sie das Fräsen, wenn das gewünschte Ergebnis erreicht ist.

So passen Sie die Schnitttiefe an

Die Schnitttiefe kann je nach Bedarf eingestellt werden.

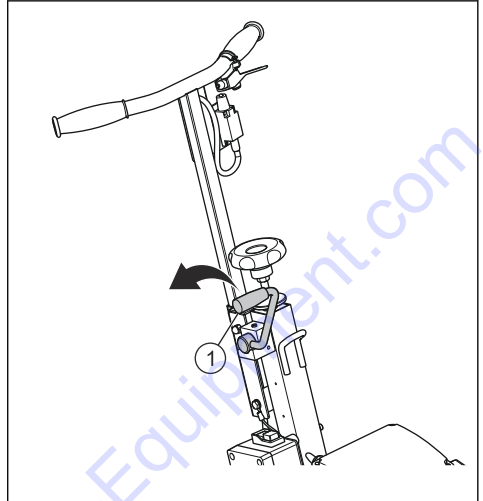
1. Drehen Sie am Knopf (1) für die Schraube (2).



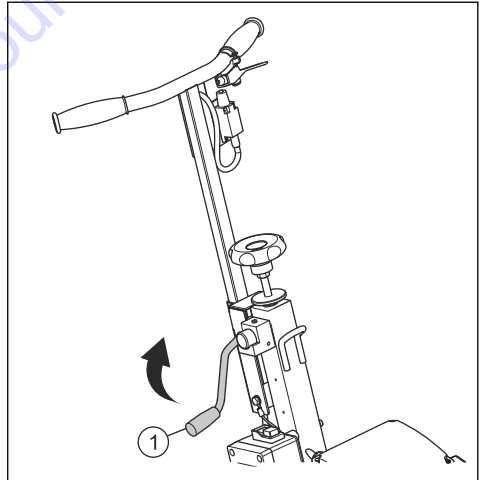
2. Drehen Sie die Mutter (3), um die Schraube zu sichern und die Schnitttiefe einzustellen.

So lösen und befestigen Sie die Trommel

1. Ziehen Sie den Hebel (1) nach hinten, um die Trommel zu lösen.



2. Drücken Sie den Hebel (1) nach vorne, um die Trommel zu befestigen.



Wartung

Einleitung

WARNUNG: Trennen Sie das Gerät vom Netz, bevor Sie Wartungsarbeiten durchführen.

ACHTUNG: Warten Sie die Werkzeuge sorgfältig.

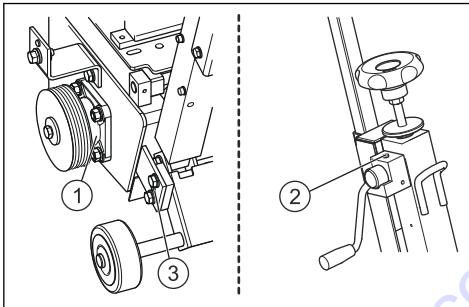
So führen Sie eine Prüfung vor Inbetriebnahme durch

1. Prüfen Sie das Motoröl.
2. Führen Sie eine allgemeine Kontrolle durch, um sicherzustellen, dass keine Schrauben oder Muttern locker sind.

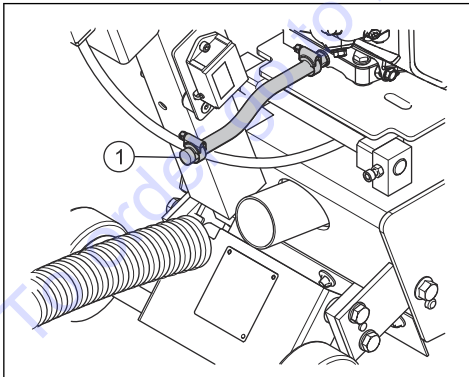
So führen Sie eine Überprüfung nach dem Betrieb durch

ACHTUNG: Entsorgen Sie das alte Öl gemäß den geltenden Vorschriften.

1. Reinigen Sie das Produkt.
2. Schmieren Sie die Schmiernippel am Radstand (1), das Tiefenjustierlager (2) und die Kugellager (3).



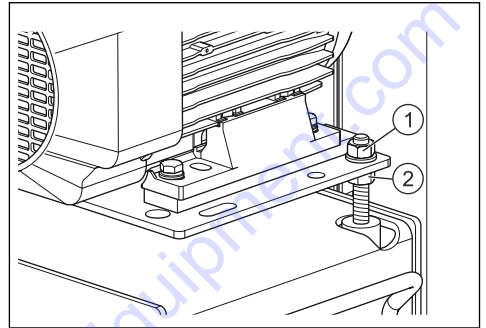
3. Das Ersatzöl ist in der Bedienungsanleitung des Motors angegeben.
4. Um das Motoröl ablassen, platzieren Sie einen Trichter am Ablass (1).



So prüfen Sie die Riemenspannung

WARNUNG: Spannen Sie die Riemen niemals über die ursprüngliche Spannung hinaus.

1. Prüfen Sie die Riemenspannung wöchentlich.
2. Ziehen Sie die Gegenmutter (1) und die Mutter (2) an, um die Riemenspannung einzustellen. Nicht zu fest anziehen.



Fehlersuche

Fehlerbehebung

Motor und abgezogenem Stecker durchzuführen.

WARNUNG: Kontrollen und/oder Wartungsarbeiten sind bei abgeschaltetem

Sehen Sie im Falle von Fehlfunktionen in den nachstehenden Tabellen nach, um eine Lösung zu finden.

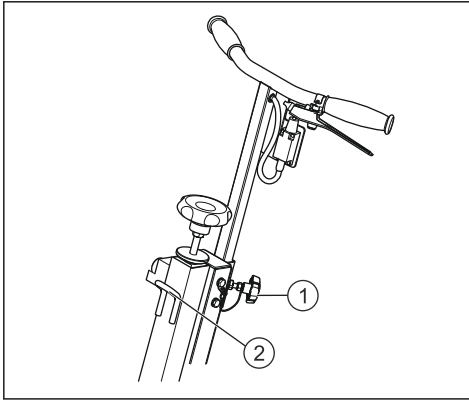
PROBLEME	URSACHEN	ABHILFEMASSNAHMEN
Motor oder Trommel dreht sich nicht	Nicht richtig eingesteckt oder Kabel beschädigt	Stellen Sie sicher, dass der Anschluss an die Stromversorgung gewährleistet ist (Stecker, Verlängerungskabel usw.). Überprüfen Sie das Netzkabel.
	Keine Netzspannung	Prüfen Sie Trennschalter, Stecker usw. oder lassen Sie sie von einem Elektriker prüfen.
	Schalter defekt, Motorkabel beschädigt	Lassen Sie dieses von einem Elektriker prüfen, oder wenden Sie sich an den Kundendienst.
	Motor defekt (keine Leistung, riecht auffällig)	Wenden Sie sich an den Kundendienst, um den Motor auszutauschen.
	Springt nicht an (Benzinmotor)	Konsultieren Sie die Service-Anleitung des Motors oder kontaktieren Sie den Kundendienst, falls der Motor ausgefallen ist, oder suchen Sie die defekte oder lose Zündkerze.
	Riemen defekt	Wenden Sie sich für Ersatz an die Ersatzteilabteilung.
	Trommel blockiert	Stellen Sie sicher, dass das Produkt nicht mehr an die Stromversorgung angeschlossen ist. Stellen Sie sicher, dass die Trommel sich dreht, und entfernen Sie Gegenstände, die die Drehung verhindern.
Schwieriges Anlassen	Trommel reibt gegen den Boden	Lösen Sie die Trommel für einen leichteren Start.
	Motoranlaufkondensator	Ersetzen Sie den Kondensator.
Ineffektiver Betrieb mit Ruckeln und starken Vibrationen	Trommelposition zu niedrig	Prüfen Sie die Trommel- (Fräsen-) Befestigung. Wechseln Sie die Trommel, die Fräsen, Bürste etc.
	Werkzeuge abgenutzt	
	Ungewöhnliche Vibrationen der Fräse Ungewöhnlicher Verschleiß des Schneidwerkzeugs	Prüfen Sie die Drehung der Fräsen an den vier Wellen. Wechseln Sie die Trommel oder die Fräsen.

Transport, Lagerung und Entsorgung

Transport

Beachten Sie folgende Punkte beim Transport des Produkts.

- Die Höhe der Lenkwelle kann durch Drehen des Knopfes (1) eingestellt werden.



- Bei der Installation vor Ort kann das Produkt einfach bewegt werden, ohne den Motor zu starten, indem es auf seinen drei Rädern geschoben wird.

- Eine Hebeöse (2) ermöglicht das Anheben des Geräts.

Lagerung

WARNUNG: Bewahren Sie das Produkt an einem trockenen Ort in einer aufrechten Position und für Kinder unzugänglich auf.

Entsorgung

Bei Abnutzung und Entsorgung des Produkts müssen die folgenden Elemente gemäß den Anforderungen der bestehenden Rechtsvorschriften entsorgt werden.

- Motor: Aluminium (AL), Stahl (AC), Kupfer (CU), Polyamid (PA)
- Produkt: Stahlblech (AC), Gusseisen (FT), Aluminium (AL)

Technische Daten

Technische Daten des Geräts

CG 200	Elektrisch	Benzin 5 PS	Benzin 9 PS
Schnitttiefe, max., mm	13	13	13
Arbeitsbreite, mm	200	200	200
Nennspannung (V)	220-240	N/A	N/A
Gewicht (ohne Kraftstoff, Öl und Werkzeuge) kg	58	54	64
Abmessungen (L x B x H), mm	780 x 475 x 730	780 x 470 x 730	840 x 530 x 730
Trommeldrehzahl (max. ohne Last), U/min	1350	1350	1350
Getriebeöl Antriebsmotor, Qualität/Standard	Siehe Betriebsanleitung des Herstellers	Siehe Betriebsanleitung des Herstellers	Siehe Betriebsanleitung des Herstellers
Geräuschemissionen⁷			
Schalleistungspegel, gemessen dB(A)	112	113	114
Schalleistungspegel, garantiert L _{WA} dB(A)	114	114	116
Lautstärke⁸			
Schalldruckpegel am Ohr des Bedieners, dB(A)	101	100,1	101,3
Vibrationspegel, a_{hv}⁹			

⁷ Hinweis 1: Umweltbelastende Geräuschemissionen gemessen als Schalleistung (L_{WA}) gemäß EN 60335-2-72.

⁸ Hinweis 2: Schalldruckpegel gemäß EN 60335-2-72. Erwartete Messunsicherheit 1,5 dB(A).

⁹ Hinweis 3: Vibrationspegel gemäß EN 60335-2-72. Berichten zufolge liegt der Vibrationspegel normalerweise bei einer Ausbreitungsklasse (Standardabweichung) von 1,5 m/s².

CG 200	Elektrisch	Benzin 5 PS	Benzin 9 PS
Griff rechts, m/s ²	6,6	12,8	10,1
Griff links, m/s ²	4,4	11,0	9,8

To order go to Discount-Equipment.com

Inhoud

Inleiding.....	44	Problemen oplossen.....	53
Veiligheid.....	47	Vervoer, opslag en verwerking.....	54
Montage.....	50	Technische gegevens.....	55
Bediening.....	50	Service.....	56
Onderhoud.....	52	EG-conformiteitsverklaring.....	56

Inleiding

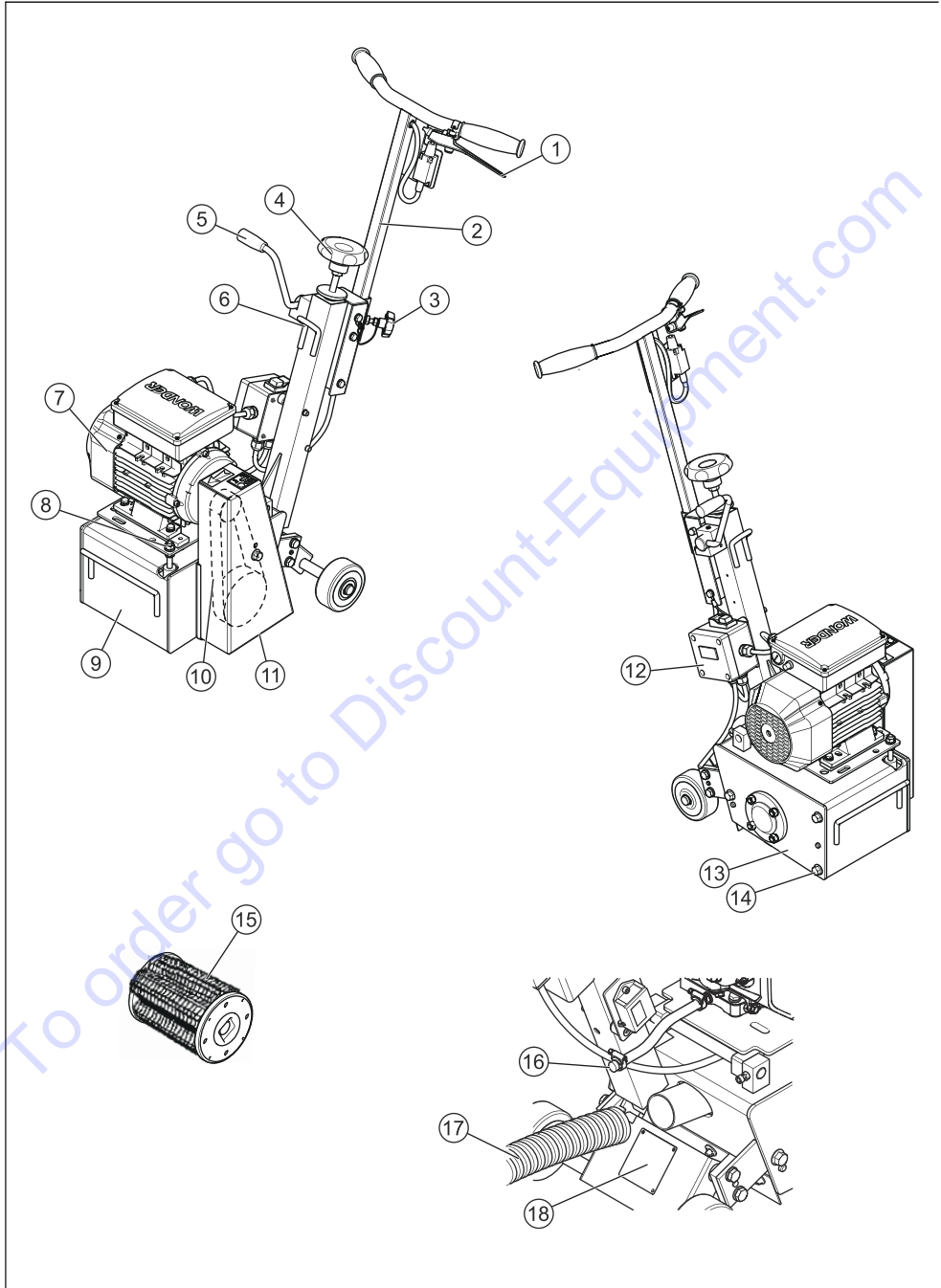
Productbeschrijving

Te gebruiken op beton, asfalt, verf en andere coatings, lijm en staal. Het gebruik voor andere toepassingen dan beschreven in deze handleiding is niet toegestaan.

Gebruik

Voor vloerfrezes, frezen van groeven, aanbrengen van texturen en reinigen.

Productoverzicht



1. Veiligheidshendel (dodemansknop)
2. Stuuras
3. Afstelknop as
4. Afstelknop diepte (mm)
5. Hendel snel heffen/zakken
6. Hijssoog
7. Motor/startmotor
8. Riemspringer
9. Chassis
10. Transmissie
11. Riembescherming
12. Aan/uit-schakelaar
13. Trommelbeschermplaat
14. Bevestigingsmiddelen trommelbeschermplaat
15. 200 mm brede trommel
16. Aftapopening
17. Stofafzuigslang
18. Typeplaatje



WAARSCHUWING! Bij het frezen komt stof vrij, dat schadelijk kan zijn bij inademing. Gebruik een goedgekeurd stofmasker. Vermijd het inademen van uitlaatgassen. Zorg voor voldoende ventilatie.



Let op, snijgevaar.



Lage snelheid.



Hoge snelheid.



Chokehendel.



Milieumarkering. Symbolen op het product of op de verpakking geven aan dat dit product niet beschouwd kan worden als huishoudelijk afval. Het moet worden ingeleverd bij een geschikt inzamelstation voor het terugwinnen van elektrische en elektronische apparatuur. Als u ervoor zorgt dat dit product goed wordt verwerkt, helpt u mogelijk negatieve gevolgen voor het milieu en mensen door verkeerd afvalbeheer van dit product tegen te gaan. Neem voor meer informatie over het recyclen van dit product contact op met de gemeente, het afvalverwerkingsbedrijf of de winkel waar u het product hebt gekocht.

Overige op de machine aangegeven symbolen/plaatjes verwijzen naar specifieke eisen aan certificering voor bepaalde markten.

Symbolen op het product



WAARSCHUWING! Het product kan bij onjuist of onachtzaam gebruik een gevaarlijk gereedschap zijn dat ernstig of zelfs dodelijk letsel aan de gebruiker of anderen kan toebrengen.



Lees de gebruiksaanwijzing vóór u het product voor de eerste keer gebruikt.



Dit symbool geeft aan dat het product in overeenstemming is met de toepasselijke Europese richtlijn.



Draag altijd persoonlijke veiligheidsuitrusting. Zie *Persoonlijke beschermingsmiddelen op pagina 49* voor instructies.

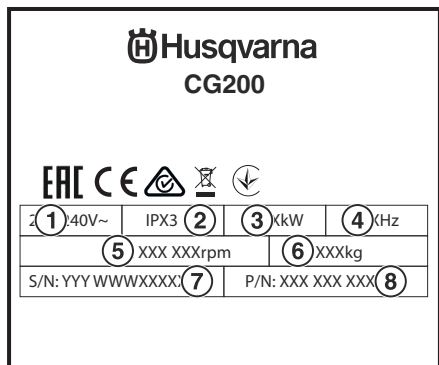


Geluidsemissie naar de omgeving volgens de richtlijnen van de Europese Gemeenschap. De emissie van het product is vermeld in het hoofdstuk "Technische gegevens" en op het label.



Warm oppervlak.

Typeplaatje



1. Voedingspanning
2. Waterbestendig
3. Nominaal motorvermogen
4. Frequentie
5. Omwentelingen per minuut
6. Bruto voertuiggewicht
7. Productiedatum, jaar, week, serienummer
8. Productnummer

Productaansprakelijkheid

Voor elk product dat onze fabriek verlaat, wordt een veeleisend inspectieprogramma uitgevoerd, waarin alles minutieus gecontroleerd. Door de instructies op te volgen, zorgt u ervoor dat uw product een langere levensduur heeft onder normale werkomstandigheden.

De fabrikant wijst alle verantwoordelijkheid af voor verlies of schade ten gevolge van een verkeerd gebruik of een wijziging, aanpassing of aandrijving die niet overeenstemt met de originele specificaties van de fabrikant.

Het gebruikersadvies en de reserveonderdelen die vermeld worden in dit document zijn indicatief en vormen geen verplichting. Er kan geen garantie worden toegekend in het geval van fouten of gebreken, of voor schade die ontstaat tijdens de levering of die het gevolg is van het ontwerp of gebruik van het product. Wij zijn erg bekommerd om de kwaliteit van onze producten, en wij behouden ons het recht voor om onaangekondigd technische wijzigingen door te voeren ter verbetering van de producten.

Veiligheid

Veiligheidsdefinities

Waarschuwingen, voorzorgsmaatregelen en opmerkingen worden gebruikt om te wijzen op belangrijke delen van de gebruikershandleiding.

WAARSCHUWING: Wordt gebruikt om te wijzen op de kans op ernstig of fataal letsel voor de gebruiker of omstanders wanneer de instructies in de handleiding niet worden gevolgd.

OPGELET: Wordt gebruikt indien er een risico bestaat op schade aan het product en andere eigendommen of aan de omgeving wanneer de instructies in de handleiding niet worden gevolgd.

Let op: Geven verdere informatie die nodig is in een bepaalde situatie.

Algemene veiligheidsinstructies

WAARSCHUWING: Lees de gebruikershandleiding zorgvuldig door en zorg dat u de instructies hebt begrepen voordat u het product gebruikt.

WAARSCHUWING: Lees de motorhandleiding die met de motor is meegeleverd zorgvuldig en zorg ervoor dat u de instructies goed begrepen hebt voordat u het product in gebruik neemt.

Het product is ontworpen voor een veilig en betrouwbaar gebruik in werkomstandigheden die overeenstemmen

met de instructies, maar kan gevaarlijk zijn voor de gebruiker en risico's op schade inhouden. Daarom is een regelmatige inspectie ter plaatse noodzakelijk om het volgende te garanderen:

- Perfecte technische staat (gebruik voor beoogde toepassingen, rekening houden met alle risico's en herstelling van defecten die de veiligheid in het gedrang brengen).
- Dat de waarschuwingen en instructies die aangegeven zijn op het product worden nageleefd (voldoende persoonlijke bescherming, correct gebruik, algemene veiligheidsinstructies enz.).
- **Dit product mag niet worden gebruikt door personen (inclusief kinderen) met een lichamelijke, zintuiglijke of geestelijke beperking of gebrek aan ervaring en kennis.**
- **Kinderen moeten onder toezicht worden gehouden, zodat ze niet gaan spelen met het apparaat.**
- Dat het product bedoeld is voor commercieel gebruik.

WAARSCHUWING: Voorkom dat het netsnoer in aanraking komt met roterende borstels.

Let op: De handleiding moet altijd beschikbaar zijn op de werkplek. Deze moet gelezen en gebruikt worden door iedere persoon die het product installeert of gebruikt. De verplichte technische voorschriften die van kracht zijn in het land waar het product gebruikt wordt, moeten ook nageleefd worden met het oog op een maximale veiligheid.

Veiligheidsinstructies voor montage

De oorspronkelijke trommels van de fabrikant moeten worden gebruikt. Gebruik geen andere trommel waarvan de vorm, afmeting en bevestiging niet past bij het product.

Controleer of de onderdelen goed zijn vastgemaakt (geen abnormale trillingen) en of de machine goed gemonteerd is.

Er mogen geen wijzigingen, transformaties of toevoegingen die de veiligheid in het gedrang brengen of zonder voorafgaande toestemming van de fabrikant worden uitgevoerd.

Veiligheidsinstructies voor bediening

WAARSCHUWING: In dit gedeelte worden de basisveiligheidsvoorschriften beschreven voor gebruik van het product. Deze informatie kan nooit de kennis vervangen die een vakman via opleidingen en praktische ervaring heeft verworven. Wanneer u in een situatie belandt waarin u niet goed weet hoe u verder te werk moet gaan, moet u een expert raadplegen. Wend u tot uw dealer, uw servicewerkplaats of een

ervaren gebruiker. Vermijd gebruik waarvan u vindt dat u niet voldoende gekwalificeerd bent!

WAARSCHUWING: De as van het gereedschap draait als de motor wordt gestart.

WAARSCHUWING: Wees u bewust van de hete uitlaatdemper. Gebruik handschoenen/veiligheidsuitrusting.

Wie dit product bedient, moet competent zijn (opleiding, leeftijd, opleiding) en de handleiding hebben gelezen en begrepen voordat met de werkzaamheden wordt begonnen. Elk elektrisch, mechanisch of ander probleem moet worden onderzocht door een gekwalificeerde onderhoudstechnicus (elektricien, onderhoudsmanager, erkende dealer, enz.).

- Controleer de staat van het product bij ontvangst.
- Houd het product altijd schoon.
- Blijf altijd alert tijdens het werken.

Elektrische veiligheid

Dit product moet altijd worden gebruikt met de juiste elektrische voeding.

WAARSCHUWING: Er is altijd kans op schokken van elektrisch aangedreven producten. Vermijd ongunstige weersomstandigheden en lichamen contact met bliksemafleiders en metalen voorwerpen. Volg altijd de instructies in de bedieningshandleiding om beschadiging te voorkomen. Sluit het product nooit aan op een stopcontact als de stekker of het snoer beschadigd is.

WAARSCHUWING: Bij een verkeerde aansluiting bestaat de kans op een elektrische schok. Neem contact op met een erkende elektromonteur als u twijfelt of het apparaat goed is geaard. Pas de stekker niet aan. Als de stekker niet in het stopcontact past, moet u een goed stopcontact door een erkende elektromonteur laten installeren. Zorg dat u zich aan de plaatselijke voorschriften en bepalingen houdt. Als u de aardingsinstructies niet volledig begrijpt, neem contact op met een erkende elektromonteur.

- Controleer regelmatig of de motor wordt onderhouden (brandstofmotor), de staat van de voedingskabel en verlengkabel (voor elektromotor).
- Controleer de netspanning. Zie *Technische gegevens van apparaat op pagina 55*.

- Controleer of de motor is aangesloten op een elektrische kabel met een doorsnede van 4 mm² voor lengtes van minder dan 100 m. Verdubbel de doorsnede bij langere kabels.

WAARSCHUWING: Gebruik nooit beschadigde kabels. Ze kunnen ernstig, zelfs dodelijk, letsel veroorzaken.

OPGELET: Goede motorprestaties zijn afhankelijk van de juiste spanning. Verlengkabels die te lang zijn en/of een te kleine doorsnede hebben, verminderen de voeding naar de motor onder belasting.

Persoonlijke beschermingsmiddelen

WAARSCHUWING: Bij gebruik van het product moeten altijd goedgekeurde persoonlijke beschermingsmiddelen worden gebruikt. Een persoonlijke beschermingsuitrusting elimineert de risico's niet, maar vermindert de ernst van het letsel als er toch een ongeluk gebeurt. Vraag uw dealer om raad bij de aanschaf van de juiste veiligheidsuitrusting.

WAARSCHUWING: Het gebruik van producten zoals snijgereedschap, slijppapparaten, boren om materiaal te schuren of te vormen, kan stof en dampen veroorzaken die gevaarlijke chemicaliën kunnen bevatten. Controleer de aard van het materiaal dat u wilt bewerken en draag een geschikt ademmasker. Langdurige blootstelling aan lawaai kan leiden tot permanente gehoorbeschadiging. Gebruik altijd goedgekeurde gehoorbescherming. Wees altijd bedacht op waarschuwingssignalen of geschreeuw wanneer u gehoorbescherming draagt. Doe uw gehoorbescherming altijd af zodra de motor is gestopt.

Draag altijd:

- Goedgekeurde veiligheidshelm.
- Gehoorbescherming.
- Goedgekeurde oogbescherming. Wanneer u gezichtsbescherming gebruikt, moet u ook een goedgekeurde veiligheidsbril gebruiken.
- Stofmasker.
- Sterke, gripvaste handschoenen.
- Nauwsluitende, sterke en prettige kleding die volledige bewegingsvrijheid toelaat.
- Laarzen met stalen neus en anti-slip zool.

- U moet altijd een EHBO-kit bij de hand hebben.

Brandstofveiligheid

Het peil van de brandstof en de olie moet regelmatig worden gecontroleerd. Raadpleeg de handleiding van de motorfabrikant indien nodig.

WAARSCHUWING: Houd rekening met de werkomstandigheden vanuit een gezondheids- en veiligheidsoogpunt.

WAARSCHUWING: Een motor laten lopen in een afgesloten of slecht geventileerde ruimte kan dodelijke ongelukken veroorzaken door verstikking of koolmonoxidevergiftiging. Gebruik ventilatoren om te zorgen voor een goede luchtcirculatie bij het werken in sleuven of greppels met een diepte van meer dan één meter.

WAARSCHUWING: Brandstof en brandstofdampen zijn zeer brandgevaarlijk en kunnen leiden tot ernstig letsel bij inademing en contact met de huid. Wees daarom voorzichtig wanneer u met brandstof werkt en zorg voor goede luchtventilatie bij de brandstofhantering. De uitlaatdampen van de motor zijn heet en kunnen vonken bevatten die brand kunnen veroorzaken. Start het product nooit in gesloten ruimtes of in de buurt van licht ontvlambaar materiaal!

WAARSCHUWING: Rook niet en plaats ook geen warme voorwerpen in de buurt van de brandstof.

Veiligheidsinstructies voor onderhoud

WAARSCHUWING: Controle en/of onderhoud dient te worden uitgevoerd met uitgeschakelde motor en de stekker uit het stopcontact.

OPGELET: De trommel kan worden geïnspecteerd via de zijplaat. Het naar achteren kantelen van het product op de handgreep leidt tot beschadiging door olielekage.

Wij adviseren om de onderhoudsintervallen en periodieke controles aan te houden en uit te voeren en alleen originele reserveonderdelen te gebruiken voor reparaties en onderhoud.

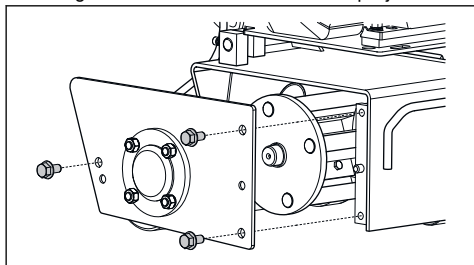
Montage

Algemeen

WAARSCHUWING: Zorg dat het product is uitgeschakeld en dat de voedingskabel is losgekoppeld van het stopcontact.

Trommels vervangen

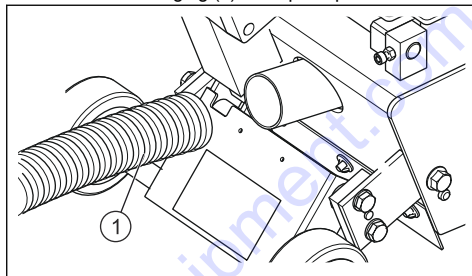
1. Draai de drie schroeven los.
2. Verwijder de zijplaat.
3. Breng de trommel aan en schuif hem op zijn as.



Stofafzuiging aansluiten

Gebruik altijd een stofzuiger om stof te minimaliseren. Controleer of de filters in de stofzuiger intact en schoon zijn. Let tijdens de werkzaamheden op of er stof vrijkomt.

1. Sluit de stofafzuiging (1) aan op het product.



Bediening

Inleiding

WAARSCHUWING: Lees de gebruikershandleiding zorgvuldig door en zorg dat u de instructies hebt begrepen voordat u het product gebruikt.

WAARSCHUWING: Draag altijd persoonlijke veiligheidsuitrusting. Zie *Persoonlijke beschermingsmiddelen* op pagina 49 voor instructies.

WAARSCHUWING: Zorg ervoor dat zich geen onbevoegden binnen het werkgebied bevinden, anders bestaat er risico voor ernstige verwondingen.

WAARSCHUWING: Controleer of het product correct is gemonteerd en er geen zichtbare beschadigingen zijn.

OPGELET: De apparatuur voldoet aan de eisen van EN61000-3-11 en mag onder bepaalde voorwaarden op het lichtnet worden aangesloten. Deze mag worden aangesloten in overleg met de stroomleverancier. De apparatuur mag alleen op de voeding worden

aangesloten met een impedantie lager dan 0,26 ohm. De systeemimpedantie op het aansluitpunt kan worden verkregen bij de stroomleverancier.

Als de voeding een hogere systeemimpedantie heeft, kunnen korte spanningsdalingen ontstaan wanneer de apparatuur wordt gestart. Dit kan van invloed zijn op de werking van andere producten, zoals flikkerende lampen.

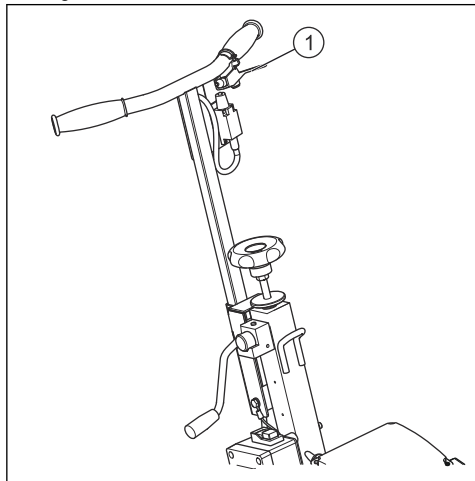
Opstarten

OPGELET: De plaats voor de gebruiker is achter het product met beide handen aan de handgrepen. Blijf op een veilige afstand van het roterende gereedschap. Verzekert u ervan dat zich op de werkplek of in het te frezen materiaal geen leidingen of elektrische kabels bevinden. Laat het product niet onbeheerd achter terwijl de motor draait.

Let op: Wanneer het product is ingeschakeld, beweegt het ongecontroleerd naar voren door de geactiveerde trommel.

1. Om het product te starten, pakt u de dodemanshendel op de stuuras beet.

2. De motor stopt als de dodemanshendel (1) wordt losgelaten.



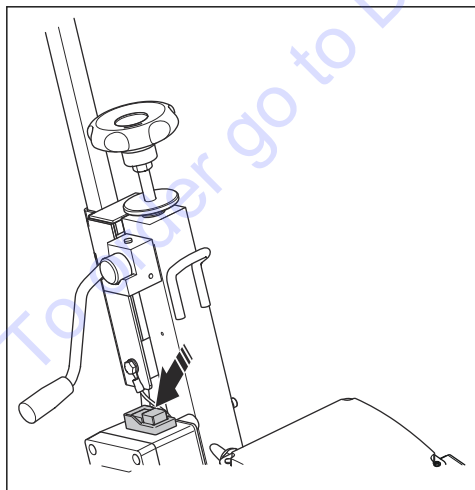
3. Controleer regelmatig of hij correct werkt. Vergrendel hem niet in de geactiveerde stand.

Het met brandstof aangedreven product starten

1. Raadpleeg de handleiding van de motorfabrikant om de motor te starten.
2. Laat de motor warmdraaien.

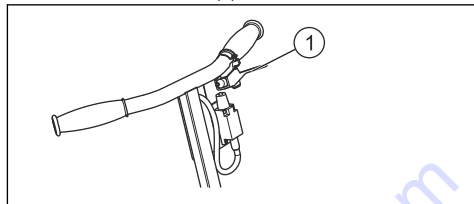
Het elektrisch aangedreven product starten

1. Druk de motorstartschakelaar naar ON(I) om de motor te starten.



Product stoppen

1. Om het product te stoppen, laat u de dodemanshendel los (1).



Een freeskop kiezen

Er kunnen verschillende freeskoppen worden toegepast in verschillende situaties. Er zijn drie freeskoppen die u kunt gebruiken: de sterfreeskop, de straalfreeskop en de hardmetalen freeskop.

- Gebruik de sterfreeskop voor het reinigen of verwijderen van epoxy-lak, olie en glazuren, lijm, thermoplastische wegmarkeringen.
- De straalfreeskop kan worden gebruikt voor de lichte voorbereiding van asfalt en beton, voor het reinigen van antislipgroeven zoals op hellingen, voor het ontkalken van staal en het reinigen van wegen voorafgaand aan het aanbrengen van markeringslijnen.
- Gebruik de hardmetalen freeskop voor het aanbrengen van textuur in asfalt en beton.

Beton frezen

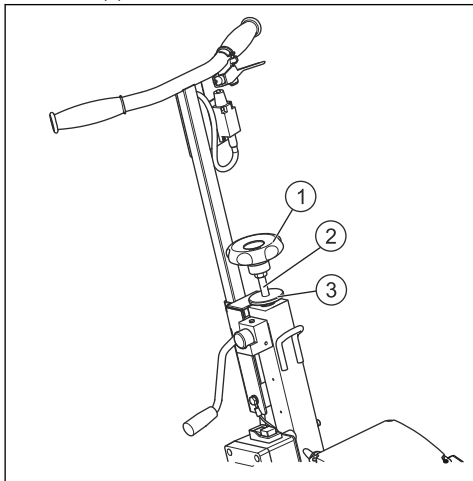
Let op: De freesdiepte is maximaal 3 mm (1/8"), maak voor diepere snedes meerdere bewegingen.

1. Beweeg het product meerdere malen over het beton, afhankelijk van de aard van het beton.
2. Controleer het beton en stop met frezen als het gewenste resultaat is bereikt.

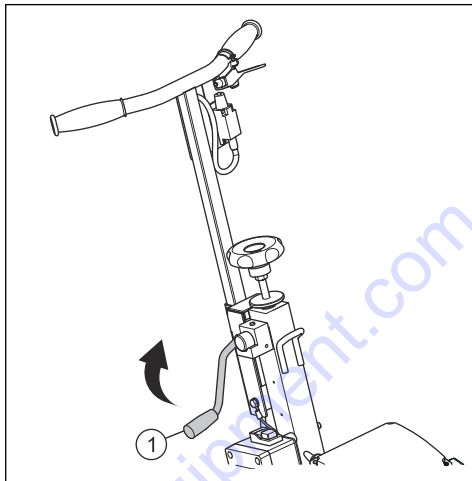
Freesdiepte aanpassen

De freesdiepte kan naar behoefte worden aangepast.

1. Draai aan de knop (1) voor het afstellen van de schroef (2).



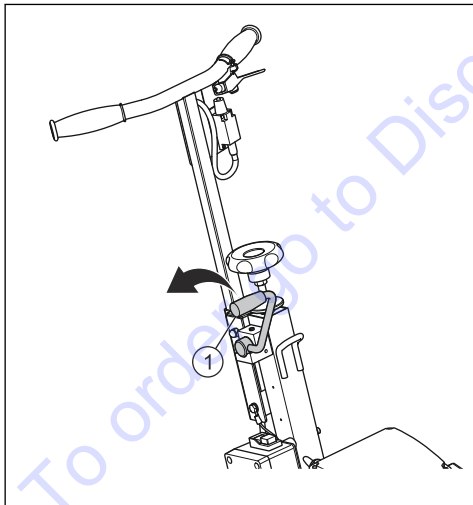
2. Duw de hendel (1) naar voren om de trommel in te schakelen.



2. Draai de borgring (3) om de schroef te vergrendelen en de snijdiepte in te stellen.

Trommel in- en uitschakelen

1. Trek de hendel (1) naar achteren om de trommel uit te schakelen.



Onderhoud

Inleiding

WAARSCHUWING: Haal de stekker uit het stopcontact voordat u onderhoud uitvoert.

OPGELET: Onderhoud het gereedschap zorgvuldig.

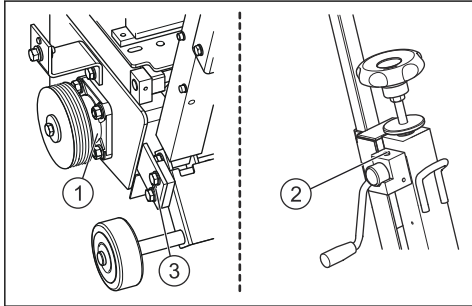
Controleren voor gebruik

1. Controleer de motorolie.
2. Voer een algemene inspectie uit om te controleren of geen losse moeren of bouten zijn.

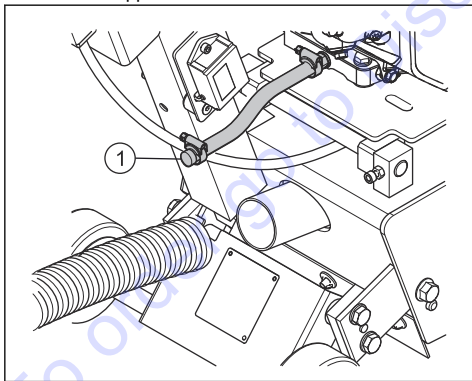
Controleren na gebruik.

OPGELET: Voer de afgewerkte olie af zoals vastgelegd in de geldende voorschriften.

1. Reinig het product.
2. Smeer de smeernippels van de wielbasis (1), het lager van de diepte-instelling (2) en de rollagers (3).



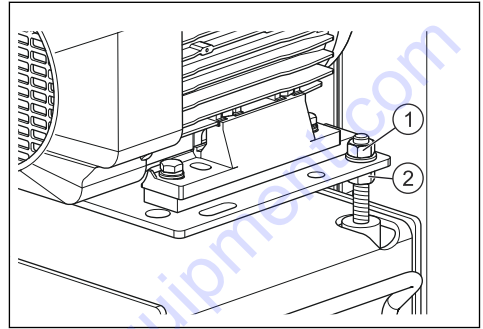
3. Zie de handleiding van de motor voor het ververset van de motorolie.
4. Plaats een trechter onder de aftapopening (1) om de olie af te tappen.



Riemspanning controleren

WAARSCHUWING: Zet de riemen nooit strakker dan de oorspronkelijke spanning.

1. Controleer de riems spanning wekelijks.
2. Draai de borgmoer (1) en de moer (2) aan om de riems spanning af te stellen. Niet te strak aandraaien.



Problemen oplossen

Problemen met apparaat oplossen

WAARSCHUWING: Controle en/of onderhoud dient te worden uitgevoerd met

uitgeschakelde motor en de stekker uit het stopcontact.

Raadpleeg in het geval van een foute werking de onderstaande tabellen om een oplossing te zoeken.

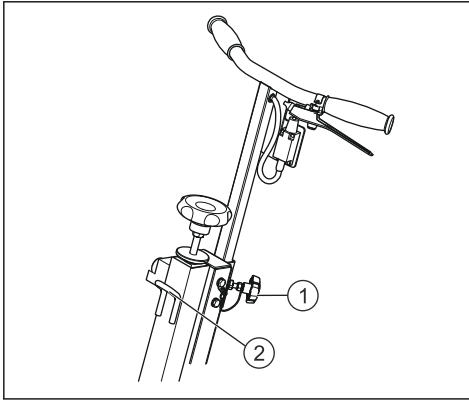
PROBLEMEN	OORZAKEN	OPLOSSINGEN
Motor of trommel draait niet	Niet goed aangesloten of kabel beschadigd	Controleer of de stroom correct is aangesloten (stekker, verlengsnoer enz.). Controleer de voedingskabel.
	Geen netspanning	Testen of laten testen door een elektrotechnicus (stroomonderbreker, stekker enz.).
	Schakelaar defect, motorkabel beschadigd	Laten testen door een elektrotechnicus of contact opnemen met de serviceafdeling.
	Motor defect (geen stroom, onaangename geur)	Contact opnemen met de serviceafdeling om de motor te laten vervangen.
	Start niet (benzinemotor)	Raadpleeg de onderhoudsinstructies voor de motor of neem contact op met de aftersaleservice als de motor is gestopt of als u constateert dat de bougie defect is of los zit.
	Riem gebroken	Neem contact op met het onderdelenmagazijn voor een vervanging.
	Trommel zit vast	Controleer of het product is losgekoppeld van de voeding. Controleer of de trommel draait, verwijder eventuele blokkades.
Moelijk te starten	Trommel schuurt over de grond	Zorg dat de trommel vrij kan draaien om hem makkelijker te kunnen starten.
	Startcondensator van motor	Vervang de condensator.
Ineffectieve werking met schokken en aanzienlijke trillingen	Stand van trommel te laag	Controleer de bevestiging van de trommel (frees). Vervissel de trommel of de messen, borstel, enzovoort.
	Gereedschap versleten	
	Groef of frees zorgt voor abnormale trillingen	Controleer de draairichting van de frezen op de vier assen. Vervang de trommel of de messen.
	Abnormale slijtage van de frezen	

Vervoer, opslag en verwerking

Transport

Let bij het transporteren van het product op de volgende punten.

- De hoogte van de stuuras kan worden afgesteld door aan de knop (1) te draaien.



- Na de installatie op de werklocatie kan het product worden verplaatst zonder de motor te laten draaien door hem te duwen op zijn drie wielen.

- Met het hijssoog (2) kan het product worden opgetild.

Opslag

WAARSCHUWING: Opslaan op een droge plaats in een rechtopstaande positie, niet toegankelijk voor kinderen.

Afvoeren

In geval van slijtage en slopen van de machine, moeten de volgende onderdelen worden verwijderd in overeenstemming met de vereisten van de wetgeving die van kracht is.

- Motor: Aluminium (AL), Staal (AC), Koper (CU), Polyamide (PA)
- Product: Staalplaat (AC), Gietijzer (FT), Aluminium (AL)

Technische gegevens

Technische gegevens van apparaat

CG 200	Elektrisch	Benzine 5 pk	Benzine 9 pk
Freesdiepte, max, mm	13	13	13
Nuttige werkbreedte, mm	200	200	200
Nominale spanning (V)	220-240	NVT	NVT
Gewicht (zonder brandstof, zonder olie, zonder hulpmiddelen) kg	58	54	64
Afmetingen (L x B x H), mm	780 x 475 x 730	780 x 470 x 730	840 x 530 x 730
Draaisnelheid van de trommel (maximaal zonder belasting), tpm	1350	1350	1350
Olie tandwielkast aandrijfmotor, kwaliteit/standaard	Zie handleiding motorfabrikant	Zie handleiding motorfabrikant	Zie handleiding motorfabrikant
Geluidsemisies¹⁰			
Geluidsvermogeniveau, gemeten dB(A)	112	113	114
Geluidsvermogeniveau, gegarandeerd L _{WA} dB (A)	114	114	116
Geluidsniveau¹¹			
Geluidsdruk niveau bij het oor van de gebruiker, dB(A)	101	100,1	101,3
Trillingsniveaus, a_{hw}¹²			

¹⁰ Opmerking 1: Geluidsemisie naar de omgeving gemeten als geluidsvermogen (L_{WA}) volgens EN 60335-2-72.

¹¹ Opmerking 2: Geluidsdruk niveau volgens EN 60335-2-72. Verwachte onzekerheidsmarge 1,5 dB(A).

¹² Opmerking 3: Trillingsniveau volgens EN 60335-2-72. De gerapporteerde gegevens voor een trillingsniveau vertonen een typische statistische spreiding (standaardafwijking) van 1,5 m/s².

CG 200	Elektrisch	Benzine 5 pk	Benzine 9 pk
Handgreep rechts, m/s ²	6,6	12,8	10,1
Handgreep links, m/s ²	4,4	11,0	9,8

To order go to Discount-Equipment.com



Original instructions
Instructions d'origine
Originalanweisungen
Originele instructies

1158746-20



2017-09-14

TO PURCHASE THIS PRODUCT PLEASE CONTACT US



**Equipment Financing and
Extended Warranties Available**



**Discount-Equipment.com is your online resource for
commercial and industrial quality parts and equipment sales.**

561-964-4949

visit us on line @ www.discount-equipment.com

Select an option below to find your Equipment

Search by Manufacturer

Search by Product Type

Request a Quote

We sell worldwide for the brands: Genie, Terex, JLG, MultiQuip, Mikasa, Essick, Whiteman, Mayco, Toro Stone, Diamond Products, Generac Magnum, Airman, Haulotte, Barreto, Power Blanket, Nifty Lift, Atlas Copco, Chicago Pneumatic, Allmand, Miller Curber, Skyjack, Lull, Skytrak, Tsurumi, Husquvarna Target, Stow, Wacker, Sakai, Mi-T-M, Sullair, Basic, Dynapac, MBW, Weber, Bartell, Bennar Newman, Haulotte, Ditch Runner, Menegotti, Morrison, Contec, Buddy, Crown, Edco, Wyco, Bomag, Laymor, EZ Trench, Bil-Jax, F.S. Curtis, Gehl Pavers, Heli, Honda, ICS/PowerGrit, IHI, Partner, Imer, Clipper, MMD, Koshin, Rice, CH&E, General Equipment, Amida, Coleman, NAC, Gradall, Square Shooter, Kent, Stanley, Tamco, Toku, Hatz, Kohler, Robin, Wisconsin, Northrock, Oztec, Toker TK, Rol-Air, APT, Wylie, Ingersoll Rand / Doosan, Innovatech, Con X, Ammann, Mecalac, Makinex, Smith Surface Prep, Small Line, Wanco, Yanmar