



SPARE PARTS LIST

EARLY ENTRY SAWS

SOFF CUT 4200, 2022-06

Go to Discount-Equipment.com to order your parts



PARTS FINDER

**Search Website
by Part Number**



**Search Manual
Library For Parts
Manual & Lookup Part
Numbers – Purchase
or Request Quote**

Search Manuals

Enter your information to help us find the right parts manual for your machine.

* Brand:

* Model:

* Serial:

* Part Number:

SEARCH

**Can't Find Part or
Manual? Request Help
by Manufacturer,
Model & Description**

Parts Order Form

Please fill in the following information to help us find the right part for your machine.

Manufacturer:	<input type="text"/>
Model:	<input type="text"/>
Description:	<input type="text"/>
Part Number:	<input type="text"/>
Quantity:	<input type="text"/>
Notes:	<input type="text"/>

Submit

Discount-Equipment.com is your online resource for quality parts & equipment.

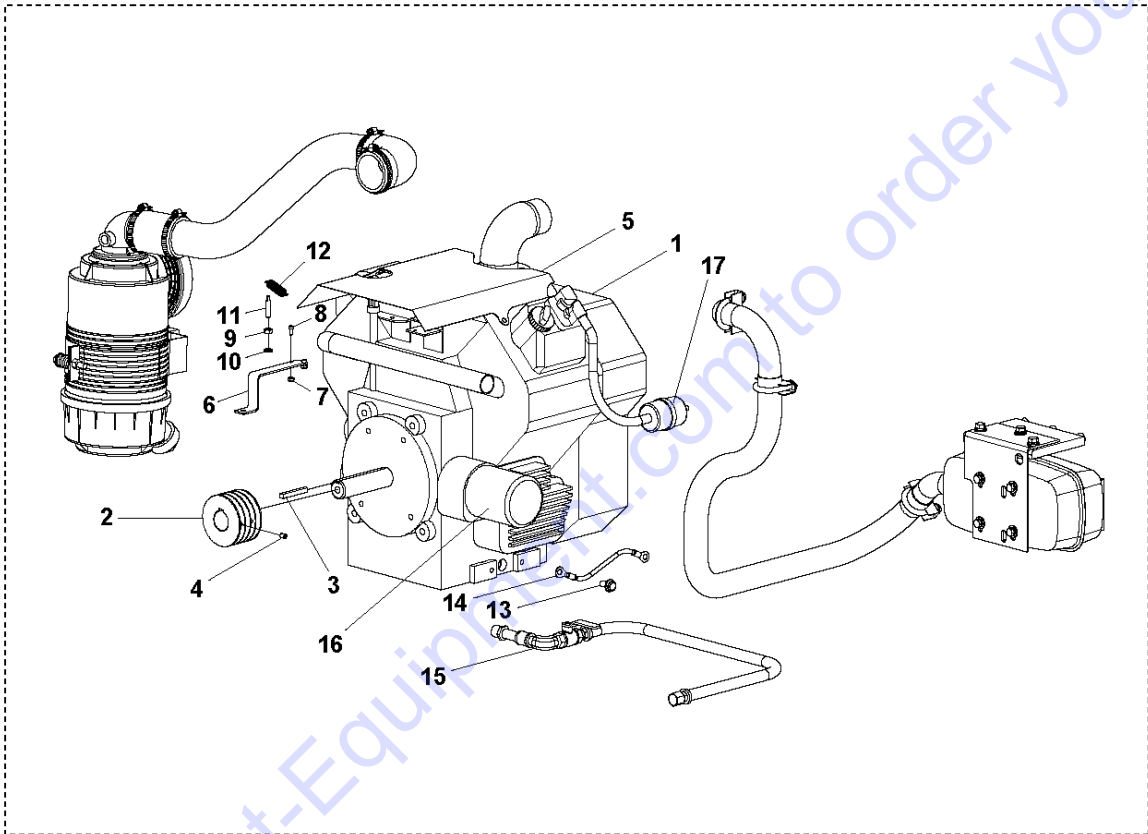
Florida: **561-964-4949** Outside Florida TOLL FREE: **877-690-3101**

Need parts?

Click on this link: <http://www.discount-equipment.com/category/5443-parts/> and choose one of the options to help get the right parts and equipment you are looking for. Please have the machine model and serial number available in order to help us get you the correct parts. If you don't find the part on the website or on one of the online manuals, please fill out the request form and one of our experienced staff members will get back to you with a quote for the right part that your machine needs.

We sell worldwide for the brands: Genie, Terex, JLG, MultiQuip, Mikasa, Essick, Whiteman, Mayco, Toro Stone, Diamond Products, Generac Magnum, Airman, Haulotte, Barreto, Power Blanket, Nifty Lift, Atlas Copco, Chicago Pneumatic, Allmand, Miller Curber, Skyjack, Lull, Skytrak, Tsurumi, Husquvarna Target, Stow, Wacker, Sakai, Mi-T-M, Sullair, Basic, Dynapac, MBW, Weber, Bartell, Bennar Newman, Haulotte, Ditch Runner, Menegotti, Morrison, Contec, Buddy, Crown, Edco, Wyco, Bomag, Laymor, EZ Trench, Bil-Jax, F.S. Curtis, Gehl Pavers, Heli, Honda, ICS/PowerGrit, IHI, Partner, Imer, Clipper, MMD, Koshin, Rice, CH&E, General Equipment, Amida, Coleman, NAC, Gradall, Square Shooter, Kent, Stanley, Tamco, Toku, Hatz, Kohler, Robin, Wisconsin, Northrock, Oztec, Toker TK, Rol-Air, APT, Wylie, Ingersoll Rand / Doosan, Innovatech, Con X, Ammann, Mecalac, Makinex, Smith Surface Prep, Small Line, Wanco, Yanmar

A SOFF CUT GX4200
ENGINE



Go to Discount-Equipment.com to order your parts

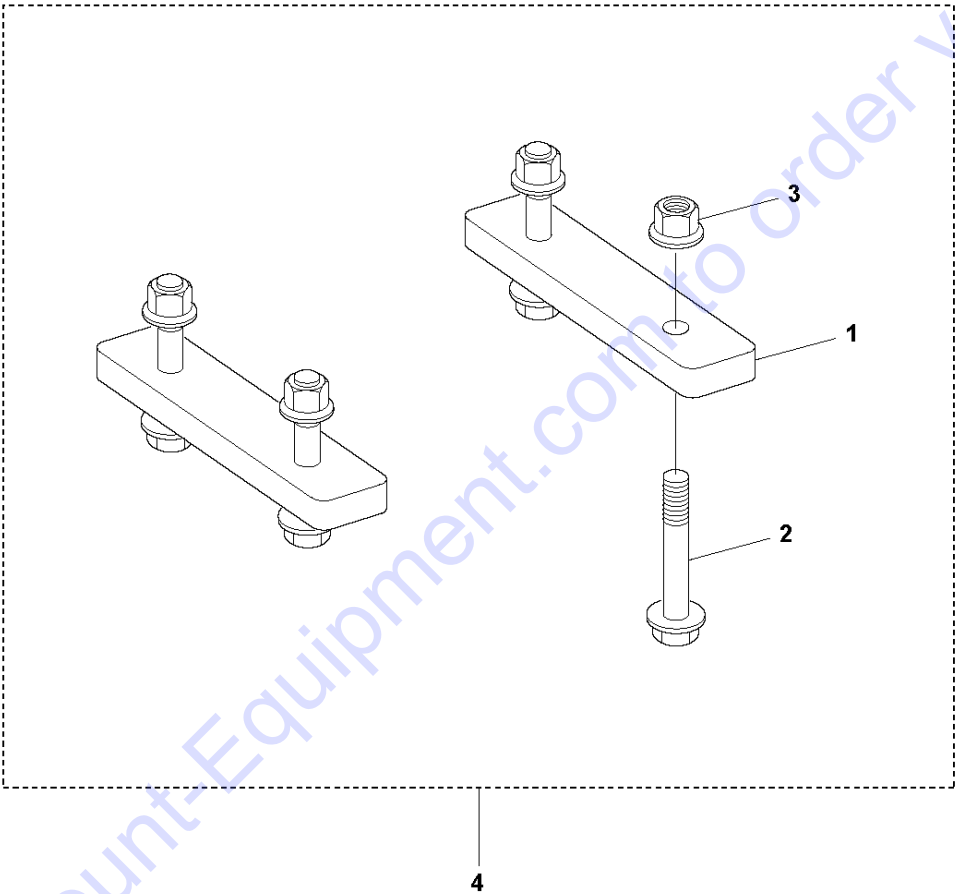
ENGINE

SOFF CUT 4200, 2022-06

Ref	Part No	Description	Remark	QTY	KIT
1	581 83 08-01	ENGINE	Incl. 2 - 4	1	20
2	587 93 57-01	PULLEY	Rail 14", Incl. 2 - 4"	1	20
3	539 91 02-10	KEY	Rail 16", Incl. 2 - 4"	1	20
4	542 02 05-41	KEY		4	20
5	505 79 15-01	SHROUD		1	20
6	505 79 23-01	LINKAGE		1	20
7	505 80 21-01	NUT		2	20
8	505 62 76-01	BOLT		2	20
9	505 63 19-01	NUT		1	20
10	505 63 28-01	WASHER	14", 16", Rail 14"	1	20
11	505 77 45-01	ANCHOR	Rail 16"	1	20
12	505 63 58-01	SPRING		1	20
13	505 79 56-01	BOLT	Incl. 11 - 15	1	20
14	575 44 66-05	KIT		1	20
15	505 85 75-07	KIT		1	20
16	505 79 74-01	OIL FILTER	Incl. 16	1	20
17	505 79 82-01	FUEL FILTER		1	20
18	510 27 16-02	ASSEMBLY		1	

Go to Discount-Equipment.com to order your parts

B SOFF CUT GX4200
MOTOR MOUNT

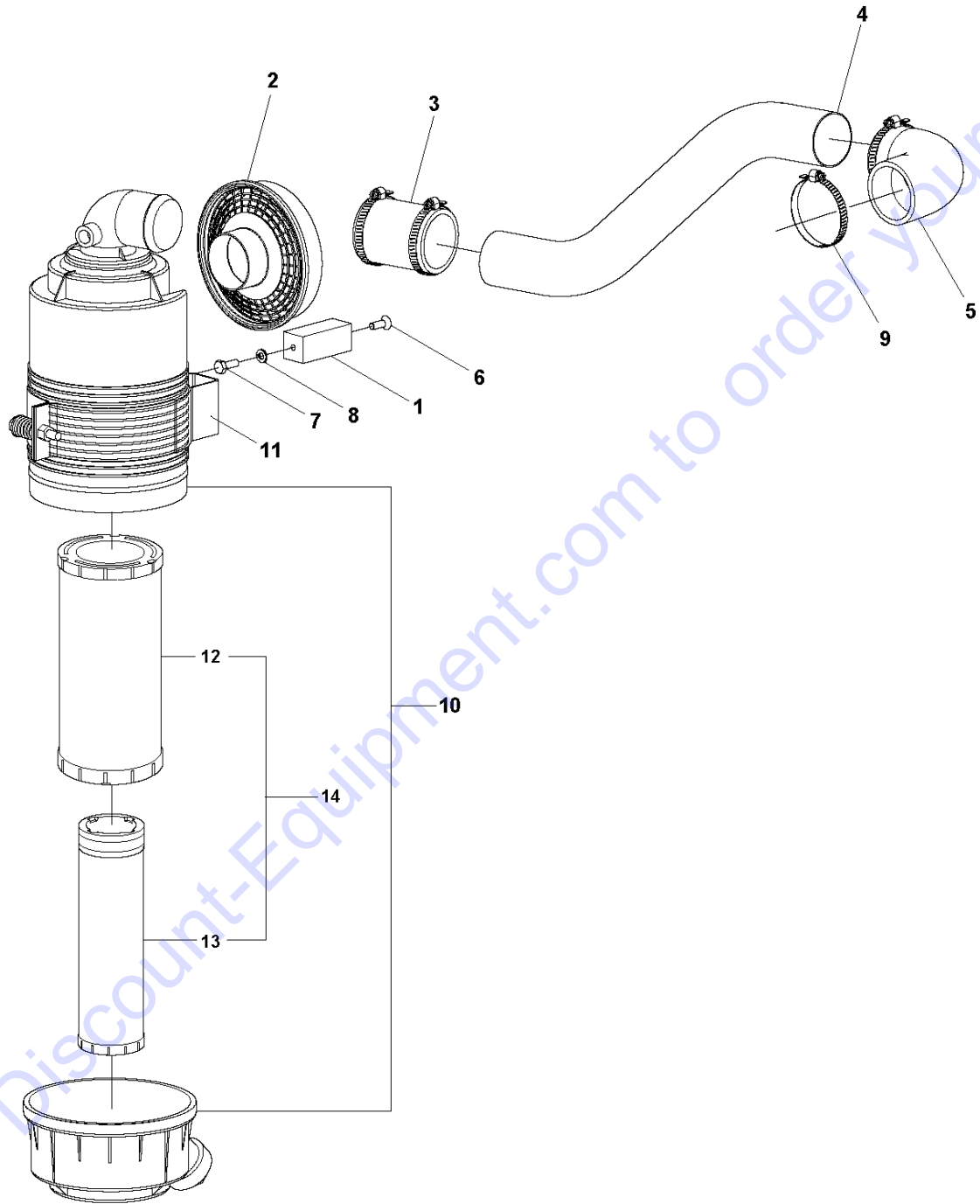


Go to Discount-Equipment.com to order your parts

Ref	Part No	Description	Remark	QTY	KIT
1	501 08 06-01	PLATE		2	4
2	576 64 57-05	NUT FLANGE		4	4
3	581 24 33-01	SCREW EHHFM		4	4
4	582 23 87-01	MOTOR KIT		1	

Go to Discount-Equipment.com to order your parts

C SOFF CUT GX4200
INTAKE SYSTEM



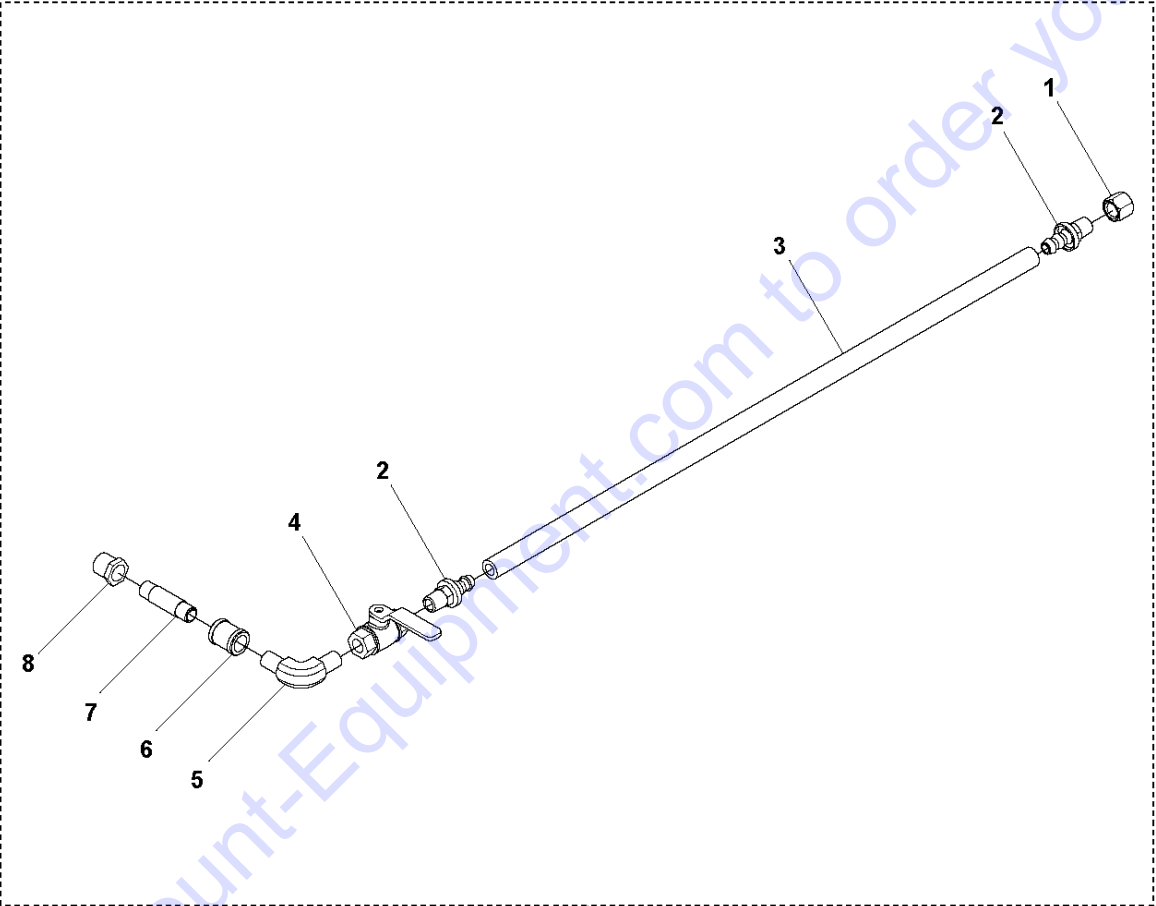
INTAKE SYSTEM

SOFF CUT 4200, 2022-06

Ref	Part No	Description	Remark	QTY	KIT
1	505 79 33-01	BRACE		1	
2	505 83 63-01	HOOD		1	
3	575 65 42-03	HOSE		1	
4	505 79 18-01	TUBE		1	
5	505 74 50-02	ELBOW		1	
6	505 62 86-01	SCREW		1	
7	505 62 75-01	BOLT		1	
8	505 63 28-01	WASHER		1	
9	505 77 60-01	HOSE CLAMP		4	
10	505 83 61-01	AIR CLEANER		1	
11	523 01 76-01	BRACKET		1	
12	505 79 80-01	AIR FILTER		1	14
13	505 79 81-01	AIR FILTER		1	14
14	505 48 23-06	FILTER	Air filter kit (2 inner filters & 2 outer filters)	1	
14	536 97 59-01	AIR FILTER	Air filter kit (air filter 1-pack)	1	

Go to Discount-Equipment.com to order your parts

D SOFF CUT GX4200
OIL DRAIN

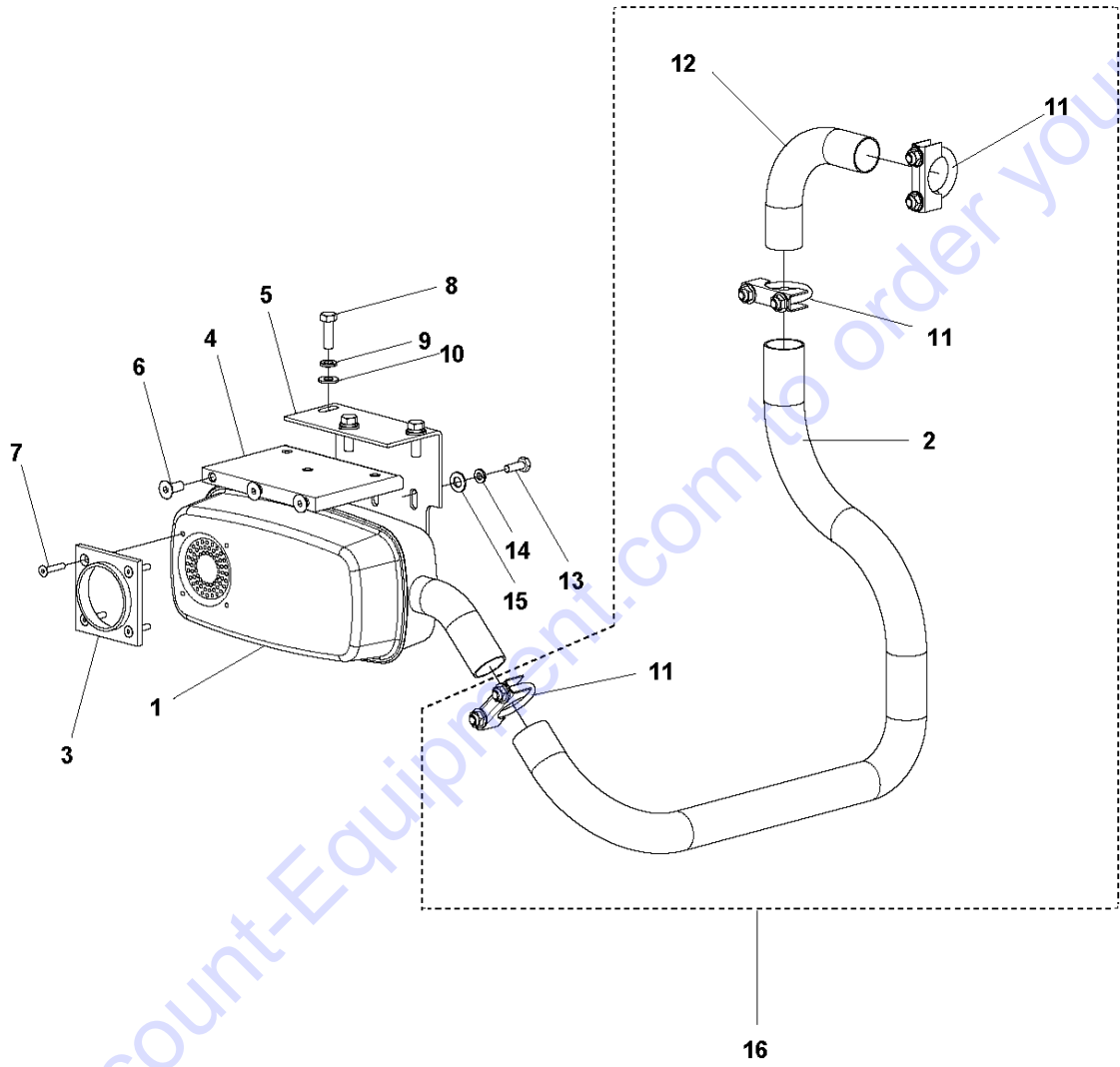


9

Ref	Part No	Description	Remark	QTY	KIT
1	505 77 66-01	CAP		1	9
2	505 73 86-01	FITTING		2	9
3	505 73 85-01	HOSE		1	9
4	505 73 89-01	VALVE		1	9
5	505 73 87-01	ADAPTER		1	9
6	505 79 66-01	FITTING		1	9
7	505 79 65-01	NIPPLE		1	9
8	505 79 64-01	BUSHING		1	9
9	505 85 75-07	KIT		1	

Go to Discount-Equipment.com to order your parts

E SOFF CUT GX4200
EXHAUST SYSTEM



Go to Discount-Equipment.com to order your parts

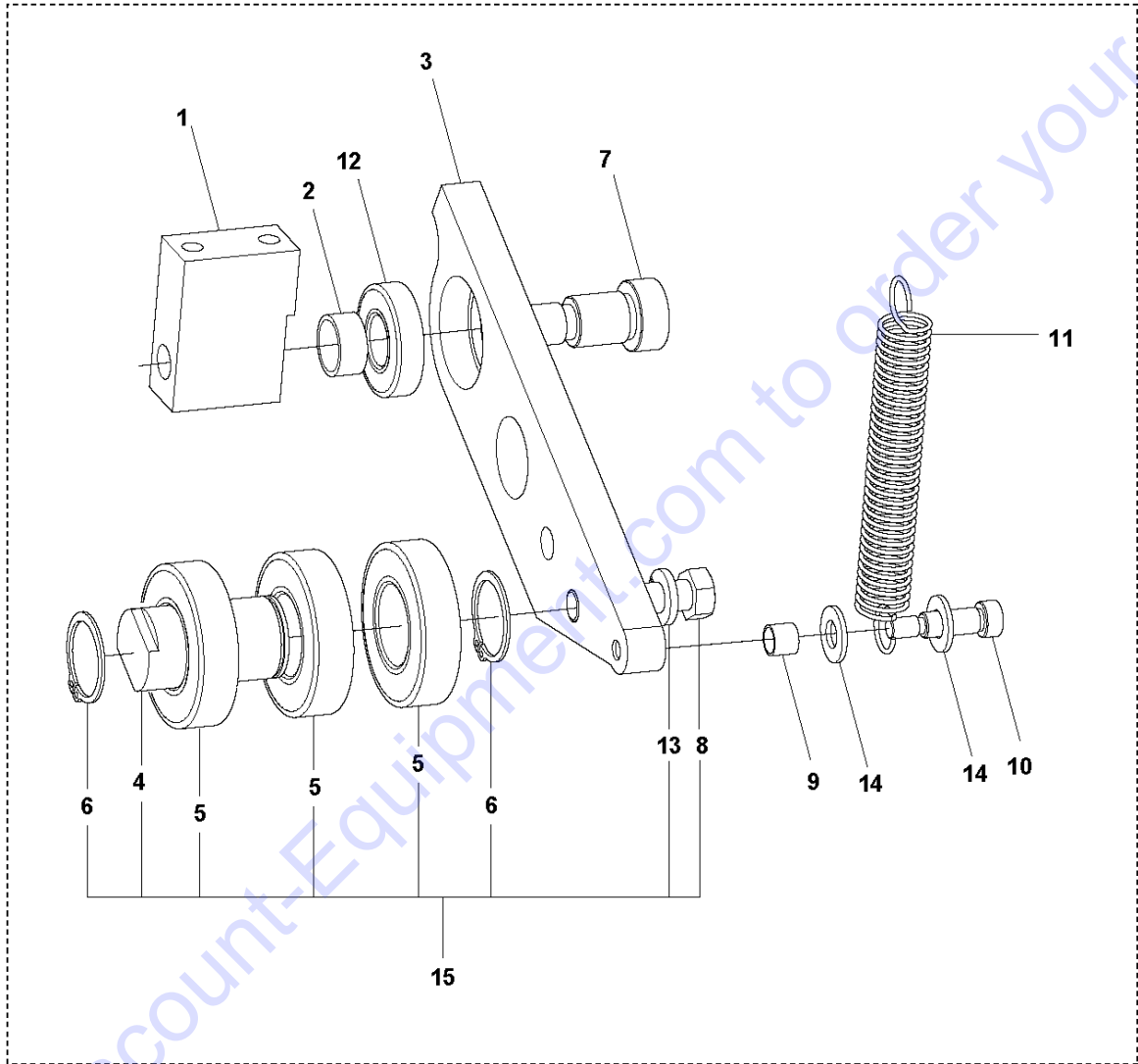
EXHAUST

SOFF CUT 4200, 2022-06

Ref	Part No	Description	Remark	QTY	KIT
1	505 79 72-01	MUFFLER		1	
2	505 87 06-01	MUFFLER PIPE		1	16
3	505 79 28-01	SPACER		1	
4	505 79 29-01	PLATE		1	
5	505 76 73-02	BRACKET		1	
6	505 62 88-01	SCREW		3	
7	505 73 00-01	SCREW		4	
8	539 99 02-09	SCREW		3	
9	505 63 30-01	WASHER		3	
10	539 99 01-88	WASHER		3	
11	505 74 32-01	CLAMP		3	16
12	505 79 73-01	ELBOW		1	16
13	505 62 75-01	BOLT		4	
14	505 63 28-01	WASHER		4	
15	505 72 55-01	FLAT WASH 1/4 PFC9 SAE ZINC		4	
16	505 87 06-01	MUFFLER PIPE		1	

Go to Discount-Equipment.com to order your parts

F SOFF CUT GX4200
BLADE IDLER PULLEY



Go to Discount-Equipment.com to order your parts

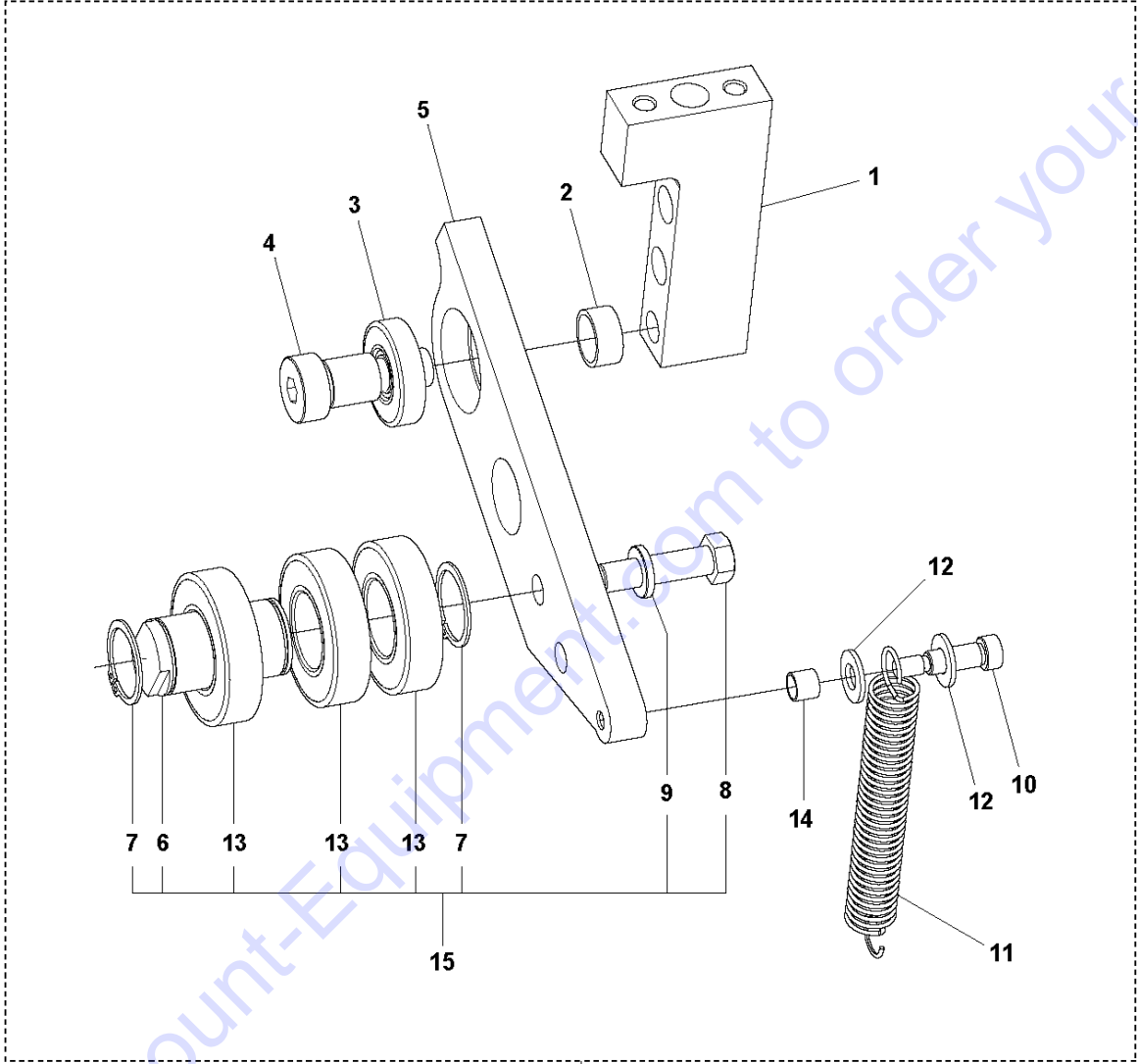
BLADE IDLER PULLEY

SOFF CUT 4200, 2022-06

Ref	Part No	Description	Remark	QTY	KIT
1	505 71 48-01	PULLEY		1	16
2	505 71 46-02	SPACER		1	16
3	505 70 69-01	PULLEY		1	16
4	505 70 68-01	SHAFT		1	15, 16
5	505 73 63-01	BALL BEARING		3	15, 16
6	542 20 62-05	SNAP RING		2	15, 16
7	505 72 62-01	BOLT		1	16
8	539 97 69-41	SCREW	HHCS, .375-16 x 1.25 GR 5 Z/P	1	15, 16
9	505 71 79-01	BUSHING		1	16
10	505 72 64-01	BOLT		1	16
11	505 79 69-01	SPRING		1	16
12	505 73 60-01	BALL BEARING		1	16
13	505 73 10-01	WASHER		1	15, 16
14	539 99 01-88	WASHER		2	16
15	505 86 04-01	BLADE		1	16
16	510 27 17-02	BLADE		1	

Go to Discount-Equipment.com to order your parts

G SOFF CUT GX4200
PUMP IDLER PULLEY



Go to Discount-Equipment.com to order your parts

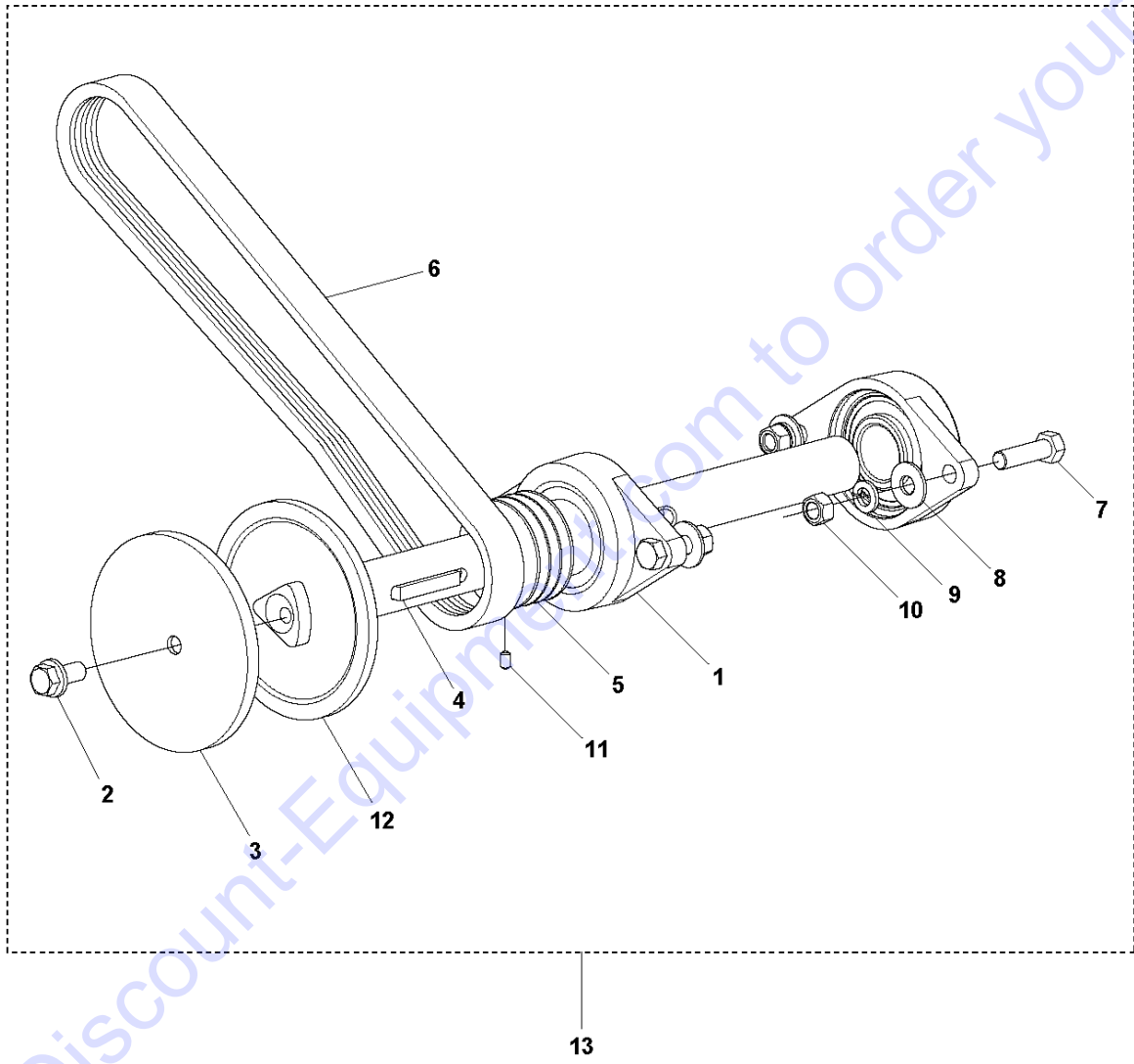
PUMP IDLER PULLEY

SOFF CUT 4200, 2022-06

Ref	Part No	Description	Remark	QTY	KIT
1	505 71 44-01	PULLEY		1	16
2	505 71 46-02	SPACER		1	16
3	505 73 60-01	BALL BEARING		1	16
4	505 72 62-01	BOLT		1	15, 16
5	505 70 69-01	PULLEY		1	15, 16
6	505 70 68-01	SHAFT		1	15, 16
7	542 20 62-05	SNAP RING		2	16
8	539 97 69-41	SCREW	HHCS, .375-16 x 1.25 GR 5 Z/P	1	15, 16
9	505 73 10-01	WASHER		1	16
10	505 72 64-01	BOLT		1	16
11	505 77 46-01	SPRING		1	16
12	539 99 01-88	WASHER		2	16
13	505 73 63-01	BALL BEARING		3	15, 16
14	505 71 79-01	BUSHING		1	16
15	505 48 34-01	PULLEY		1	16
16	510 27 18-02	BELT TENSIONER ASSY		1	

Go to Discount-Equipment.com to order your parts

H SOFF CUT GX4200
BLADE SHAFT



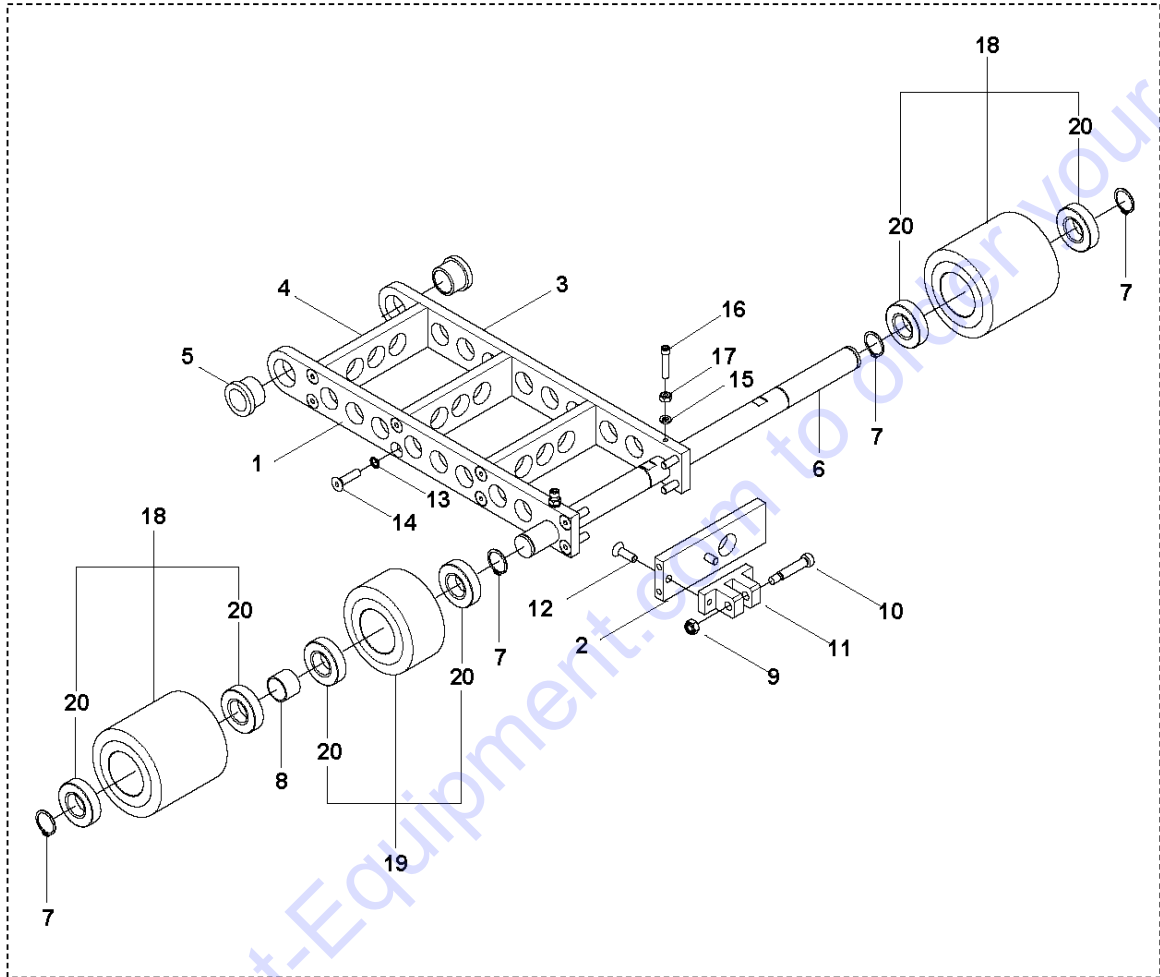
BLADE SHAFT

SOFF CUT 4200, 2022-06

Ref	Part No	Description	Remark	QTY	KIT
1	505 77 41-01	BLADE SHAFT		2	13
2	505 48 37-01	BOLT		1	13
3	505 49 15-05	WASHER		1	13
4	541 20 33-99	KEY		1	13
5	582 04 67-01	PULLEY		1	13
6	505 77 74-01	V-BELT		1	13
7	505 72 70-01	BOLT		4	13
8	505 73 14-01	WASHER		4	13
9	505 73 11-01	WASHER		4	13
10	541 20 48-36	NUT		4	13
11	542 02 05-50	SCREW		4	13
12	505 57 32-04	SHAFT		1	13
13	510 27 22-02	BLADE SHAFT	Blade shaft assy	1	

Go to Discount-Equipment.com to order your parts

**SOFF CUT GX4200
FRONT WHEEL CARRIAGE**



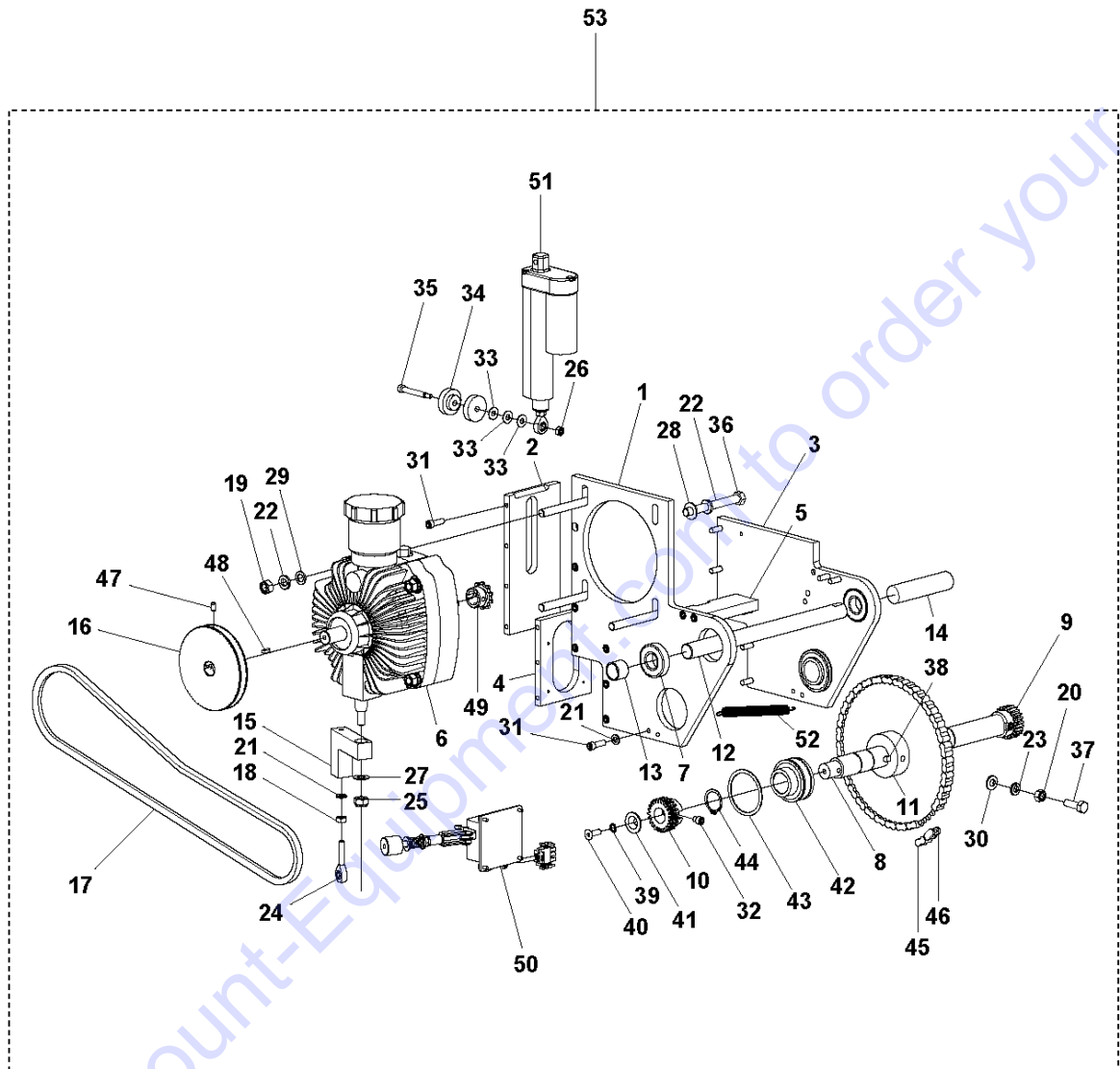
FRONT WHEEL CARRIAGE

SOFF CUT 4200, 2022-06

Ref	Part No	Description	Remark	QTY	KIT
1	505 75 49-01	SUPPORT		1	21
2	505 75 51-01	FRONT WHEEL BRACKET		1	21
3	505 75 48-01	FRONT WHEEL AXLE SUP		1	21
4	505 75 50-01	BRACKET		3	21
5	505 70 51-01	BUSHING		2	21
6	505 76 40-01	AXLE		1	21
7	542 20 62-05	SNAP RING		4	21
8	505 76 41-01	SPACER		1	21
9	539 99 07-17	NUT		1	21
10	505 77 15-01	BOLT		1	21
11	505 75 69-01	BRACKET		1	21
12	505 73 01-01	SCREW		2	21
13	505 68 63-01	WASHER		16	21
14	505 73 01-01	SCREW		16	21
15	505 63 28-01	WASHER		2	21
16	505 62 80-01	BOLT		2	21
17	505 63 19-01	NUT		2	21
18	505 86 91-01	WHEEL ASSY		1	21
19	505 86 92-01	WHEEL ASSY		1	21
20	505 73 63-01	BALL BEARING		6	18, 19, 21
21	510 27 14-02	CARRIAGE		1	

Go to Discount-Equipment.com to order your parts

J SOFF CUT GX4200
PUMP

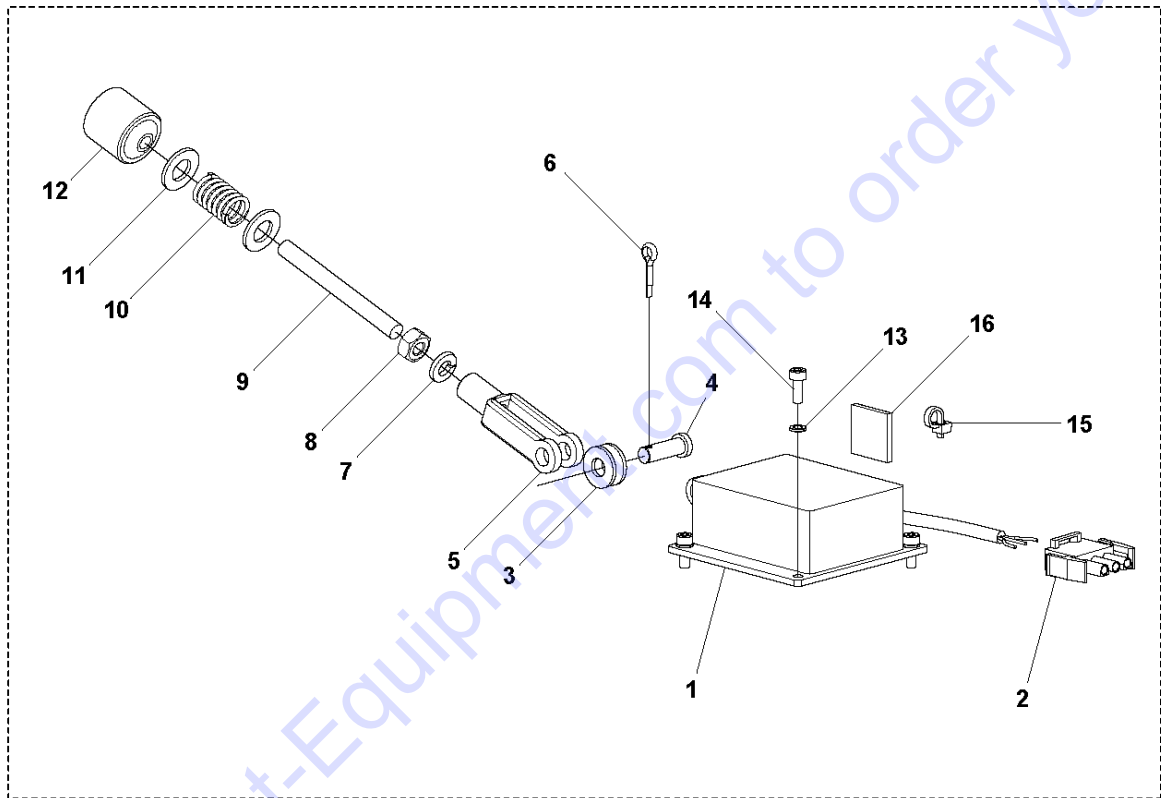


HYDRAULIC PUMP - MOTOR

SOFF CUT 4200, 2022-06

Ref	Part No	Description	Remark	QTY	KIT
1	505 75 65-01	PUMP SUPPORT PLATE RIGHT	Right	1	53
2	505 75 66-01	BLOCK		1	53
3	505 60 76-01	PUMP SUPPORT PLATE LEFT	Left	1	53
4	505 70 61-01	PLATE		1	53
5	505 75 68-01	PUMP BRACE TOP		1	53
6	582 38 28-01	TRANSMISSION		1	53
7	505 73 61-01	BALL BEARING		2	53
8	505 76 47-01	DRIVE SHAFT		1	53
9	505 77 71-01	GEAR WHEEL		1	53
10	505 77 70-01	GEAR		1	53
11	505 73 94-01	SPROCKET		1	53
12	505 76 57-01	SHAFT		1	53
13	505 76 58-01	SPACER		1	53
14	505 76 56-01	PIPE		1	53
15	505 76 46-01	BRACKET		1	53
16	587 93 53-01	PULLEY		1	53
17	505 77 75-01	V-BELT		1	53
18	505 73 29-01	NUT		1	53
19	539 99 01-30	NUT		4	53
20	505 73 24-01	NUT		1	53
21	505 63 28-01	WASHER		3	53
22	505 73 10-01	WASHER		8	53
23	505 63 30-01	WASHER		1	53
24	505 74 34-01	ROD END		1	53
25	539 30 07-70	NUT		1	53
26	505 63 04-01	NUT		1	53
27	505 63 42-01	WASHER		1	53
28	539 99 05-17	WASHER		4	53
29	505 72 40-01	WASHER		4	53
30	505 72 52-01	WASHER		1	53
31	505 62 78-01	BOLT		19	53
32	505 77 27-01	SCREW		4	53
33	505 63 44-01	WASHER		3	53
34	505 75 67-01	SPACER		2	53
35	505 72 60-01	BOLT		1	53
36	539 30 08-70	NLA HCS 3/8-16 X 3-1/2 GR 5 ZN	NLA HCS 3/8-16 X 3-1/2 GR 5 ZN	4	53
37	539 99 02-09	SCREW		1	53
38	541 20 34-04	KEY		1	53
39	505 68 62-01	WASHER		2	53
40	505 62 86-01	SCREW		2	53
41	505 76 48-01	WASHER		2	53
42	505 68 94-01	SHAFT		2	53
43	505 69 02-01	SNAP RING		2	53
44	542 20 62-05	SNAP RING		2	53
45	505 86 97-01	CHAIN		1	53
46	505 73 96-01	LINK		1	53
47	542 02 05-68	SCREW	SHSS, .25-20 x .375 HK	2	53
48	539 30 07-49	KEY		2	53
49	587 65 99-01	SPROCKET		1	53
50	505 74 98-01	SPEED CONTROL SYSTEM		1	53
51	505 84 71-01	ACTUATOR		1	53
52	505 77 52-01	SPRING		1	53
53	510 27 19-02	ASSEMBLY		1	

K SOFF CUT GX4200
SPEED CONTROL ACTUATOR



Go to Discount-Equipment.com to order your parts

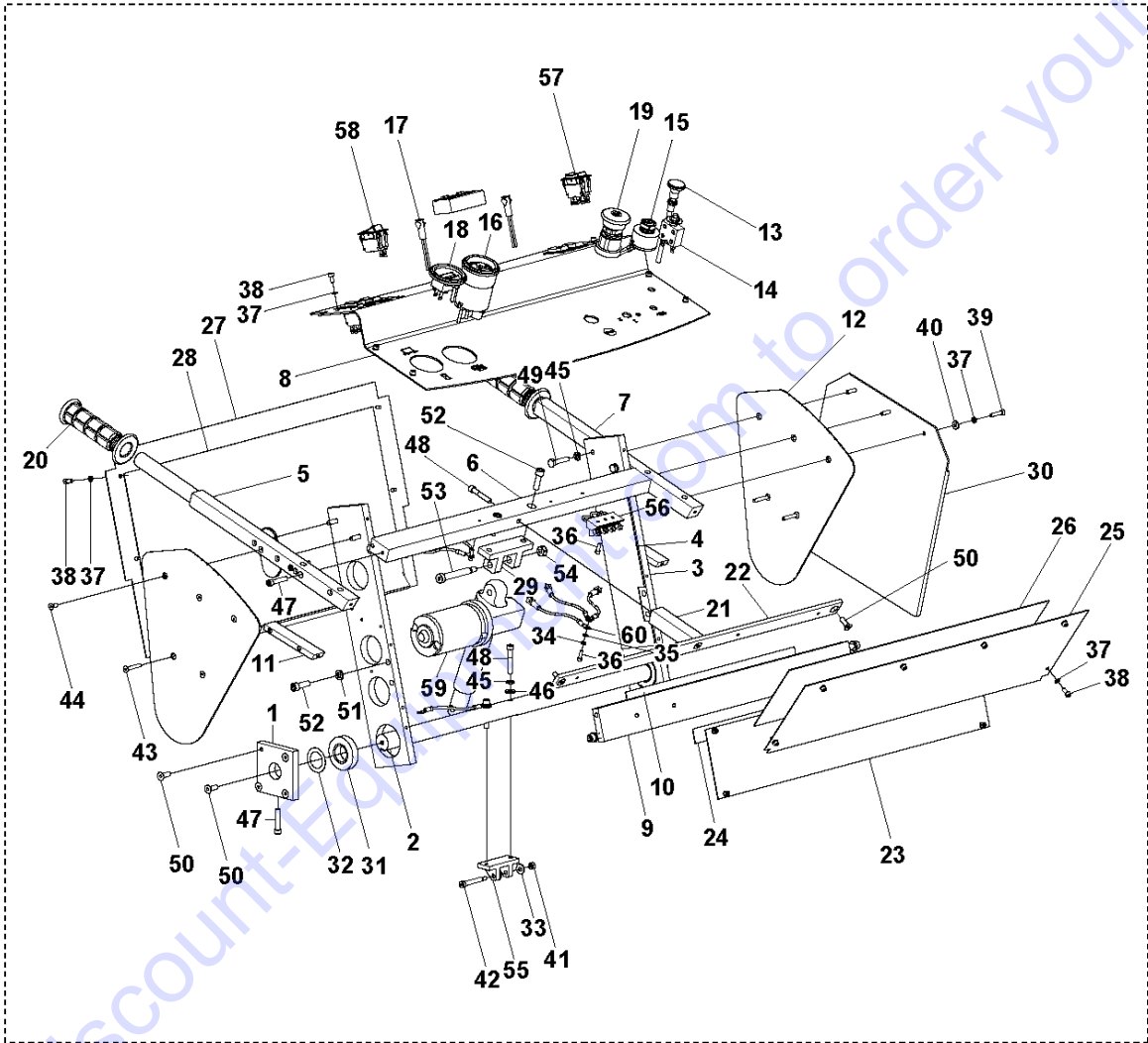
SPEED CONTROL

SOFF CUT 4200, 2022-06

Ref	Part No	Description	Remark	QTY	KIT
1	505 84 51-01	SPEED CONTROL SYSTEM		1	17
2	505 75 16-01	PLUG		1	17
3	505 63 20-01	WASHER		2	17
4	505 74 35-01	CLEVIS		1	17
5	505 74 33-01	YOKE		1	17
6	505 73 97-01	PIN		1	17
7	505 63 28-01	WASHER		1	17
8	505 73 29-01	NUT		1	17
9	505 77 08-01	STUD		1	17
10	505 77 51-01	SPRING		1	17
11	505 72 55-01	FLAT WASH 1/4 PFC9 SAE ZINC		2	17
12	505 75 52-01	ADJUSTER		1	17
13	505 63 24-01	WASHER		4	17
14	505 62 76-01	BOLT		4	17
15	510 33 17-01	TIE WRAP		1	17
16	510 33 16-02	TIE WRAP		1	17
17	505 74 98-01	SPEED CONTROL SYSTEM		1	

Go to Discount-Equipment.com to order your parts

L SOFF CUT GX4200
CONTROL PANEL

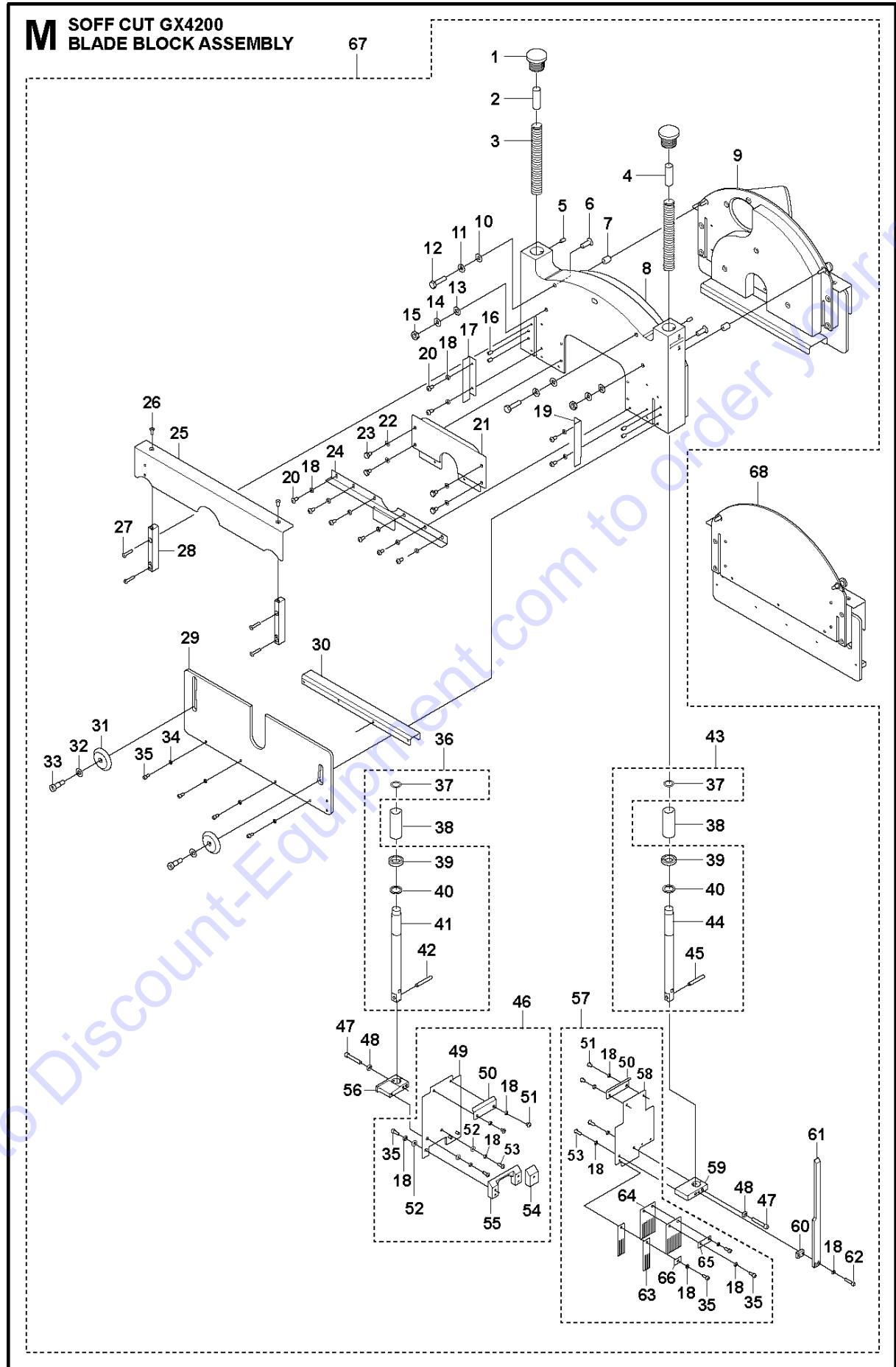


Go to Discount-Parts.com to order your parts

CONTROL PANEL

SOFF CUT 4200, 2022-06

Ref	Part No	Description	Remark	QTY	KIT
1	505 71 21-01	PLATE		2	61
2	505 76 34-01	SHAFT		1	61
3	505 71 18-01	PLATE		2	61
4	505 72 09-01	INSULATOR		2	61
5	505 75 95-01	HANDLEBAR		1	61
6	505 75 86-01	CROSSBAR		1	61
7	505 75 94-01	HANDLEBAR		1	61
8	505 79 35-01	CONTROL PANEL		1	61
9	505 75 87-01	BOTTOM SUPPORT BRACE		1	61
10	505 76 98-01	RUBBER FOR 3535-01 14"1/8L 2"W		1	61
11	505 70 80-01	SPACER		2	61
12	505 71 19-01	PLATE		2	61
13	505 69 50-01	CHOKE		1	61
14	505 60 51-01	CIRCUIT BREAKER		1	61
15	505 79 76-01	KEY SWITCH		1	61
16	505 75 02-02	HOURLY METER		1	61
17	505 84 60-01	LIGHT		2	61
18	542 16 64-38	GAUGE		1	61
19	505 70 44-01	STOP SWITCH		1	61
20	505 60 11-01	HANDLE GRIP		2	61
21	505 70 83-01	BRACKET		1	61
22	505 75 85-01	CROSSBAR		1	61
23	505 75 79-01	COVER		1	61
24	505 76 97-01	RUBBER FOR 3526 20 7/8L 7/8W		1	61
25	505 75 77-01	COVER		1	61
26	505 76 96-01	INSULATOR		1	61
27	505 75 76-01	COVER		1	61
28	505 76 95-01	RUBBER FOR 3523		1	61
29	505 75 70-01	ACTUATOR		1	61
30	505 72 15-01	JOINT		1	61
31	505 73 63-01	BALL BEARING		2	61
32	505 73 69-01	SHIM		1	61
33	505 63 44-01	WASHER		2	61
34	505 63 27-01	WASHER		2	61
35	505 73 17-01	LK WASH #8 EXT TOOTH		2	61
36	505 62 82-01	BOLT		3	61
37	505 63 31-01	WASHER		27	61
38	505 62 77-01	BOLT		24	61
39	505 72 96-01	BOLT	SHCS 10-32 X 1/2 S.S.	3	61
40	505 63 53-01	WASHER		3	61
41	505 63 04-01	NUT		1	61
42	505 72 60-01	BOLT		1	61
43	505 72 98-01	SCREW		4	61
44	505 72 99-01	SCREW		3	61
45	505 63 28-01	WASHER		6	61
46	505 63 20-01	WASHER		2	61
47	505 62 79-01	BOLT	SHCS .25-20 X 1 S.S.	6	61
48	505 72 88-01	BOLT		3	61
49	505 72 74-01	BOLT		4	61
50	505 62 86-01	SCREW		13	61
51	505 63 30-01	WASHER		4	61
52	505 77 25-01	SCREW		6	61
53	505 62 72-01	BOLT		1	61
54	539 99 07-17	NUT		1	61
55	505 70 66-01	BRACKET		1	61
56	505 75 27-01	BLOCK		1	61
57	589 66 89-01	TOGGLE SWITCH	DP-rocker(ON)-OFF-(ON)	5	61
58	589 66 90-01	TOGGLE SWITCH	Rocker DP-ON-OFF	1	61
59	505 84 49-02	HANDLE		1	61
60	575 44 66-02	GROUND CABLE		5	61
61	510 27 23-02	ASSEMBLY		1	



BLADE BLOCK ASSEMBLY

SOFF CUT 4200, 2022-06

Ref	Part No	Description	Remark	QTY KIT	
1	505 75 98-01	KNOB	Knob, blade block	2	67
2	505 78 87-01	ROD	Rear plastic rod/blade block GX4200	1	67
3	505 79 07-01	BLADE	Spring, blade block, GX4200	2	67
4	505 78 86-01	ROD	Front plastic rod/blade block GX4200	1	67
5	505 63 00-01	SCREW	Set screw, DOG 1/4-20 X 1/2 SS	2	67
6	505 77 35-01	BUSHING	BHS 5/16-18 X 1 S.S.	2	67
7	505 74 83-01	INSERT	Threaded insert S.S.	2	67
8	505 78 82-01	BLADE	Blade block for 3" depth	1	67
9	505 49 40-06	COVER	Vacuum B.B. covers Soff-cut 4200	1	67
10	539 99 01-22	WASHER	Washer, flat sae .375	2	67
11	505 73 10-01	WASHER	Split washer 3/8 S.S.	2	67
12	539 97 69-41	SCREW	HHCS, .375-16 x 1.25 GR 5 Z/P	2	67
13	539 99 01-88	WASHER	Washer, flat sae .3125 Z/P	2	67
14	505 63 30-01	WASHER	Lockwasher .3125 SPLIT SS	2	67
15	539 99 01-96	NUT	Nut, STD HEX .3125-18 Z/P	2	67
16	505 73 41-01	SCREW	Set screw, cone 1/4-20 X 1/2	4	67
17	505 78 97-01	BRACKET	Angle diverter-right/bk blade block	1	67
18	505 63 31-01	WASHER	Split washer #10 S.S.	26	46, 57, 67
19	505 78 96-01	BRACKET	Angle diverter-left/bk blade block	1	67
20	505 62 77-01	BOLT	SHCS 10-32 X .375 S.S.	10	67
21	505 78 98-01	BELT	Cover plate, belt access, GX4000	1	67
22	505 73 18-01	WASHER	Lockwasher 1/4 ext tooth	4	67
23	505 62 73-01	BOLT	HHB, 1/4-20 X 3/8 S.S.	4	67
24	505 79 50-01	ANGLE BRACKET	BB angle diverter, back, GX4200	1	9, 67
25	505 76 23-01	BRACKET	Angle bracket, blade block, inner	1	67
26	505 72 99-01	SCREW	FHS 10-32 X 1/2 S.S.	2	67
27	505 73 00-01	SCREW	FHS 10-32 X 1 S.S.	4	67
28	505 78 94-01	BLOCK	Block diverter mtg, inner	2	67
29	505 79 48-01	COVER	Cover, inner lexan, GX4200	1	9, 67
30	529 60 42-01	CHANNEL	Channel, inner	1	9, 67
31	505 76 17-01	WASHER	Washer, lexan cover	2	67
32	505 63 42-01	WASHER	Washer, 3/8" X .03THK FLAT S.S.	2	67
33	505 62 71-01	BOLT	SHSH bolt 3/8 X 5/8 BLK STL	2	67
34	505 63 31-01	WASHER	Split washer #10 S.S.	4	67
35	505 72 96-01	BOLT	SHCS 10-32 X .375 S.S.	7	46, 57, 67
36	505 88 81-01	FRONT AXLE ASSY	Kit, front B.B. Shaft, GX4000	1	67
37	505 73 36-01	SNAP RING	C-clip, 3/4"	2	36, 43, 67
38	505 66 78-01	SHAFT	Bushing,.750X1.00X 2.50, bronze	2	67
39	505 73 80-01	SEAL	Dust seal, 3/4" shaft	2	36, 43, 67
40	541 40 14-72	RING	Retaining ring, spiral .042" T	2	36, 43, 67
41	505 78 85-01	ROD	Front rod, blade block, for X4200	1	36, 67
42	505 77 40-01	PIN	Dowel pin, 1/4 x 1.25, steel	1	36, 67
43	505 88 80-01	REAR AXLE	Kit, rear B.B. shaft, GX4000	1	67

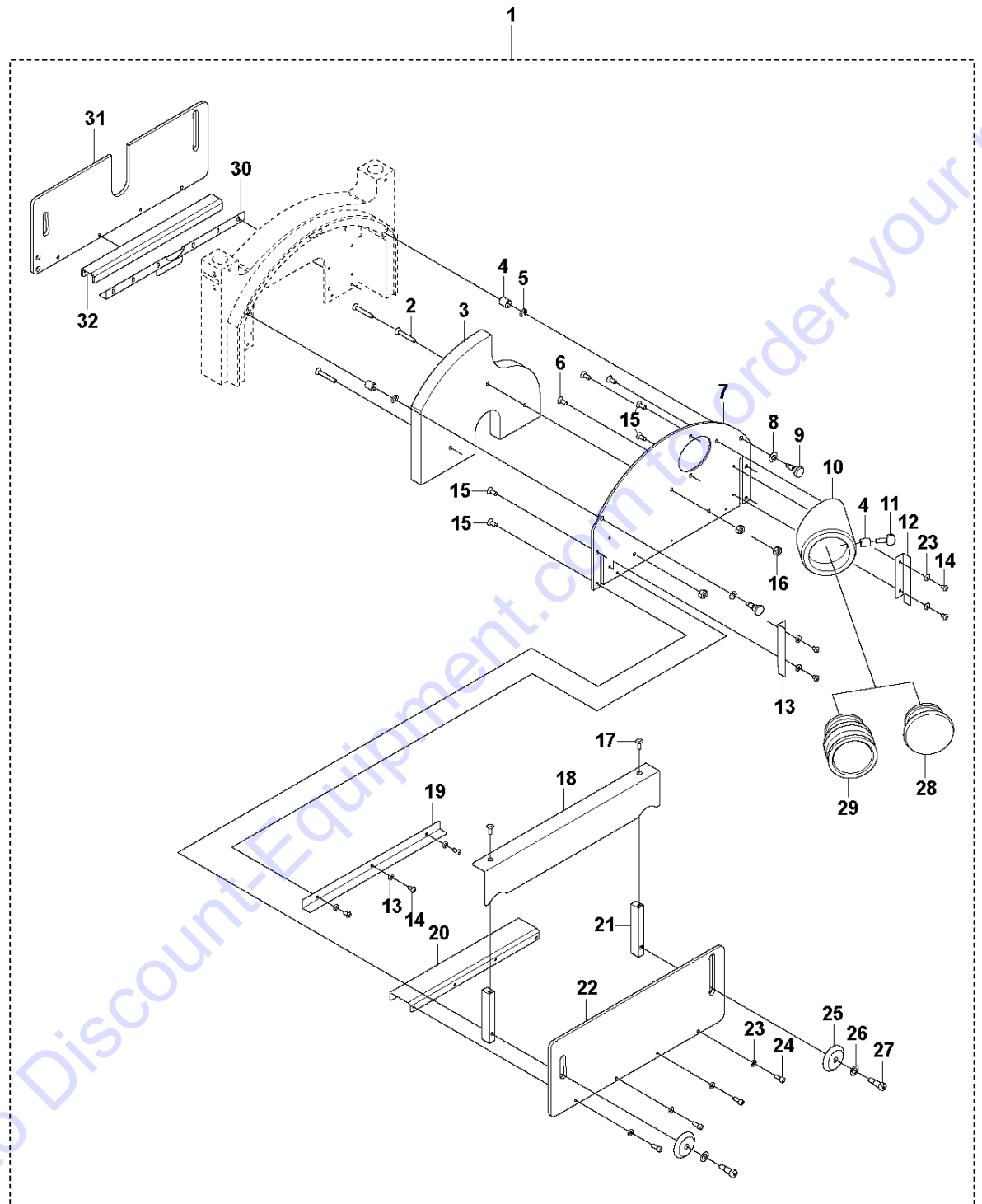
BLADE BLOCK ASSEMBLY

SOFF CUT 4200, 2022-06

Ref	Part No	Description	Remark	QTY	KIT
44	505 78 84-01	REAR AXLE	Rear rod, blade block for X4200	1	43, 67
45	587 91 82-01	PIN	Pin, groove E, 1/4" x 2"	1	43, 67
46	505 88 84-01	PLATE	Kit, front scraper, GX4000	1	67
47	505 72 87-01	BOLT	SHCS .25-20 X 1.5 B/O	2	67
48	505 63 28-01	WASHER	Lockwasher .25 split SS	2	67
49	505 78 90-01	PLATE	Plate, front diverter, GX4000	1	46, 67
50	505 76 20-01	STEEL	Steel wiper / blade block	2	46, 57, 67
51	505 62 95-01	SCREW	SBHCS 10-32 X .5 S.S.	4	46, 57, 67
52	505 63 53-01	WASHER	Washer, #10 FLAT S.S.	7	46, 67
53	505 62 98-01	SCREW	SBHCS 10-32 X .5 S.S.	4	46, 57, 67
54	505 78 95-01	BRACKET	Block, front diverter, small	1	46, 67
55	505 71 03-01	BLOCK	Block, front diverter	1	46, 67
56	505 76 08-01	FRONT AXLE ASSY	Front rod clamp angled	1	67
57	505 88 83-01	REAR AXLE	Kit, rear scraper, GX4000	1	67
58	505 78 88-01	PLATE	Diverter plate, rear	1	57, 67
59	505 76 02-01	REAR AXLE	Rear rod clamp, blade block (DPT PT)	1	67
60	505 76 07-01	SPACER	Depth pointer spacer	1	67
61	505 76 06-01	POINTER	Depth pointer spacer	1	67
62	505 77 28-01	BOLT	SHCS 10-32 X 7/8 S.S.	2	67
63	505 76 92-01	FLAP	Dust flap, small	2	57, 67
64	505 76 90-01	FLAP	dust flap, large	2	57, 67
65	505 76 89-01	BAR	Bar, mounting, large dust flap	1	57, 67
66	505 76 91-01	BAR	Bar, mounting, small dust flap	1	57, 67
67	595 84 40-01	BLADE BLOCK	Blade block system 4200 w/vac	1	
68	505 86 09-01	BLADE		1	

Go to Discount-Equipment.com for more parts

N SOFF CUT GX4200
BLADE BLOCK COVER - VAC PORT



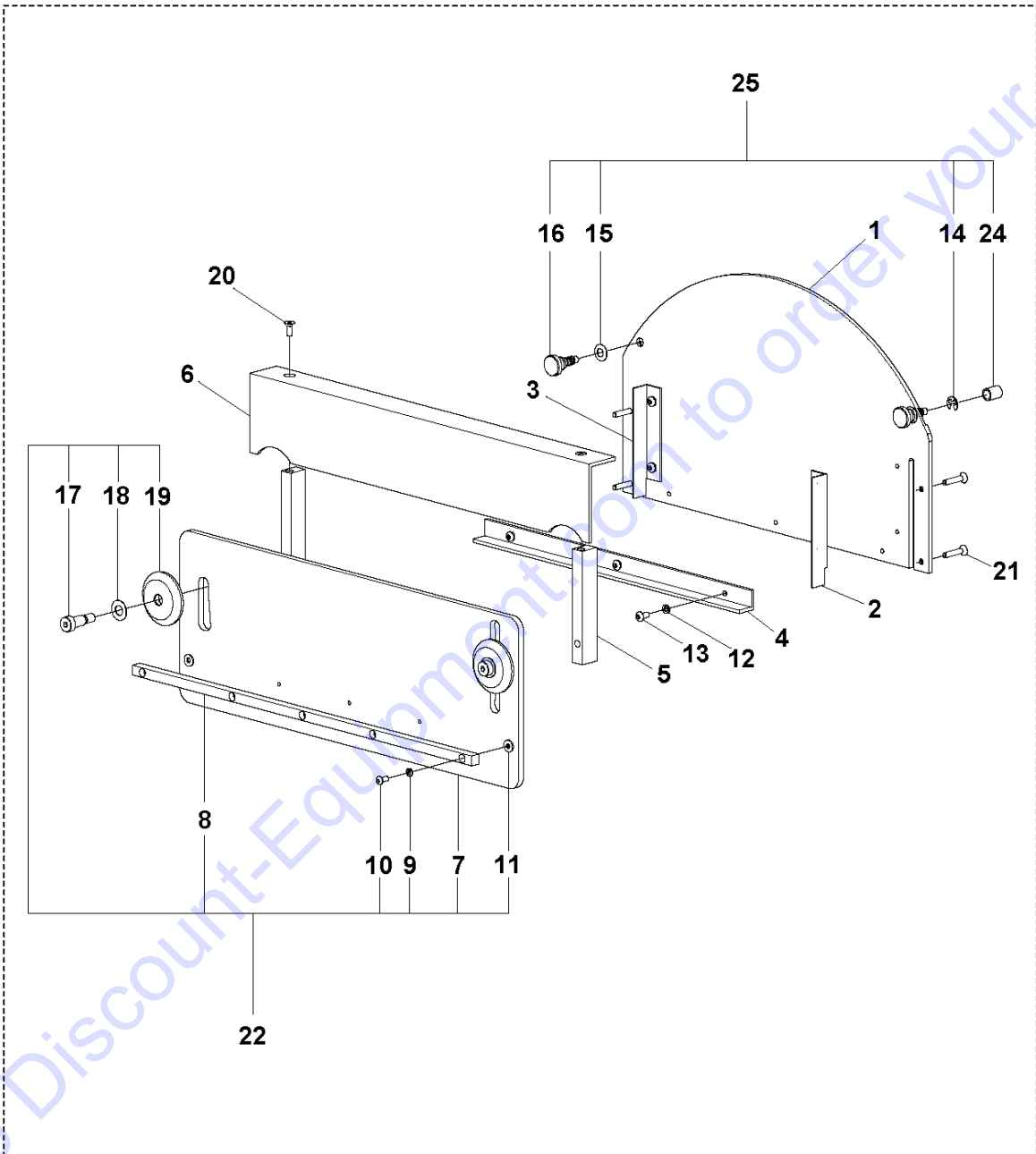
BLADE BLOCK COVER - VAC PORT

SOFF CUT 4200, 2022-06

Ref	Part No	Description	Remark	QTY KIT
1	505 49 40-06	COVER	Vacuum B.B. Covers Soff-Cut 4200	1
2	505 73 03-01	SCREW	FHS 1/4-20 X 1 3/4 S.S.	3
3	505 79 51-01	BLOCK	Volume block, plastic	1
4	505 74 83-01	INSERT	Threaded insert S.S.	3
5	505 53 65-01	E-CLIP	E-clip, 1/4" zinc-plated	2
6	505 73 05-01	SCREW	FHS 1/4-20 X 5/8 S.S.	3
7	505 79 44-01	COVER	Blade cover w/ dust port	1
8	505 53 64-01	WASHER	Washer, Belleville, 5/16" S.S.	2
9	505 53 63-01	KNOB	Knob, rear panel/blade block	2
10	591 35 71-01	TUBE	Tube, vac port - kamloc	1
11	505 79 61-01	SCREW	Thumb screw 5/16-18 X 3/4 zinc	1
12	505 79 04-01	BRACKET	Angle/diverter/blade cover, right	1
13	505 79 05-01	BRACKET	Angle/diverter/blade cover, left	1
14	505 62 91-01	SCREW	BHS 10-32 X 3/8 S.S.	7
15	505 72 99-01	SCREW	FHS 10-32 X 1/2 S.S.	4
16	505 63 07-01	NUT	Nut, nyloc 1/4-20 .218" HT.	3
17	505 72 99-01	SCREW	FHS 10-32 X 1/2 S.S.	2
18	505 76 22-01	BRACKET	Angle bracket, blade block, outer	1
19	505 76 29-01	BRACKET	Bracket, blottom, blade cover	1
20	529 60 41-01	CHANNEL	Channel, outer	1
21	505 78 93-01	BLOCK	Block diverter mtg, outer	2
22	505 79 46-01	COVER	Cover, outer lexan, GX4200	1
23	505 63 31-01	WASHER	Split washer #10 S.S.	11
24	505 72 96-01	BOLT	SHCS 10-32 X 1/2 S.S.	4
25	505 76 17-01	WASHER	Washer, lexan cover	2
26	505 63 42-01	WASHER	Washer, 3/8" X .03THK flat S.S.	2
27	505 62 71-01	BOLT	SHSH bolt 3/8" X 5/8 BLK STL	2
28	593 21 44-01	PLUG	Plug, vac port	1
29	502 56 96-03	COUPLING	Coupling, 300-E male machined	1
30	505 79 50-01	ANGLE BRACKET	BB angle diverter, back, GX4200	1
31	505 79 48-01	COVER	Cover, inner lexan, GX4200	1
32	529 60 42-01	CHANNEL	Channel, inner	1

Go to Discount Equipment.com for your parts

**SOFF CUT GX4200
BLADE BLOCK COVER - NON VAC PORT**



Go to Discount-Equipment.com to order your parts

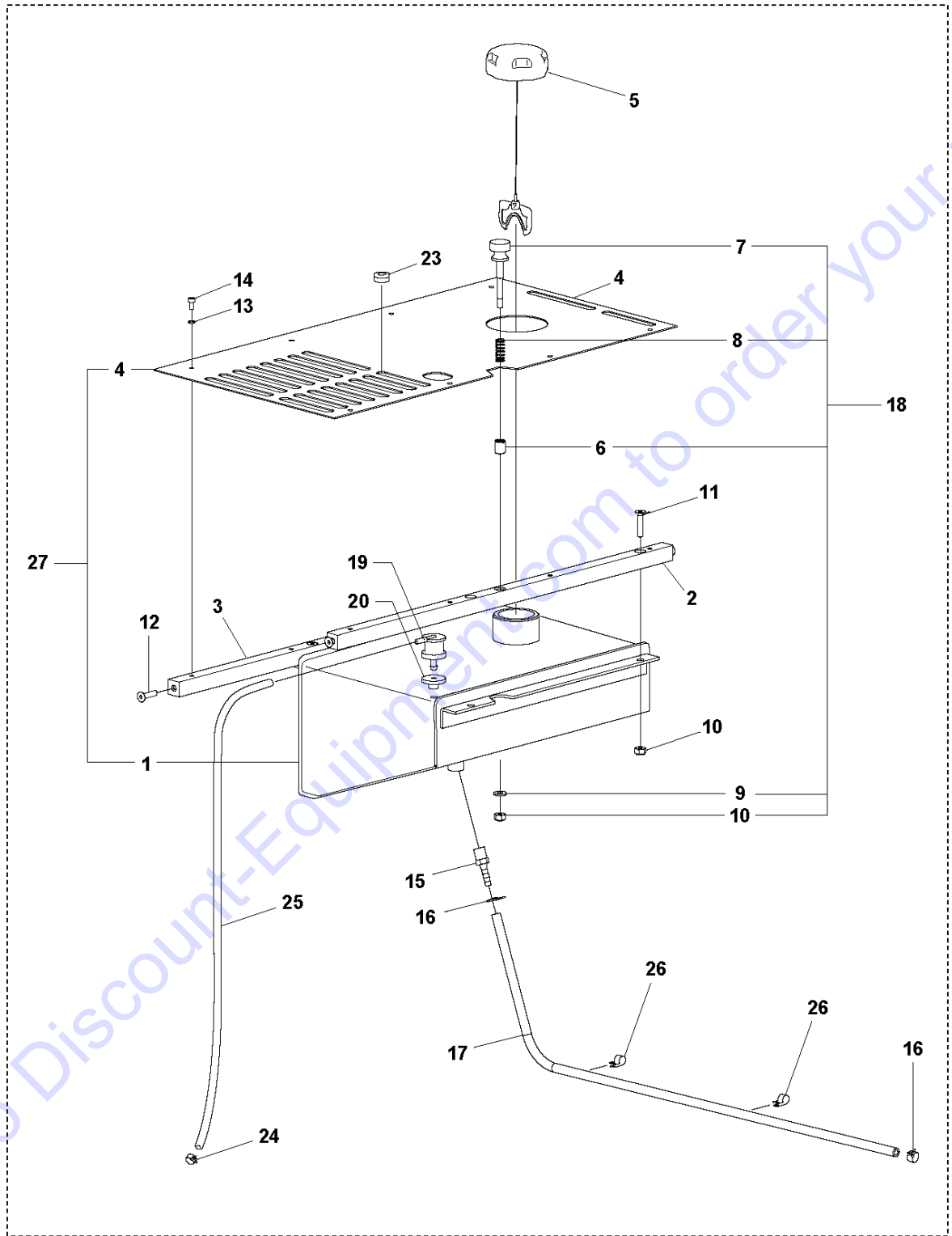
BLADE BLOCK COVER - NON VAC PORT

SOFF CUT 4200, 2022-06

Ref	Part No	Description	Remark	QTY	KIT
1	505 78 83-01	BLADE		1	23
2	505 79 04-01	BRACKET		1	23
3	505 79 05-01	BRACKET		1	23
4	505 76 29-01	BRACKET		1	23
5	505 78 93-01	BLOCK		2	23
6	505 76 22-01	BRACKET		1	23
7	505 78 91-01	OUTTER LEXAN SHIELD		1	22, 23
8	505 76 68-01	STIFFENER		1	22, 23
9	505 63 27-01	WASHER		5	22, 23
10	505 62 93-01	SCREW		5	22, 23
11	505 82 26-01	WASHER		2	22, 23
12	505 63 31-01	WASHER		7	23
13	505 62 91-01	SCREW		7	23
14	505 53 65-01	E-CLIP		2	23, 25
15	505 53 64-01	WASHER		2	23, 25
16	505 53 63-01	KNOB		2	23, 25
17	505 62 71-01	BOLT		2	22, 23
18	505 63 42-01	WASHER		2	22, 23
19	505 76 17-01	WASHER		2	22, 23
20	505 72 99-01	SCREW		2	23
21	505 73 00-01	SCREW		4	23
22	505 88 86-01	PLATE		1	23
23	505 86 09-01	BLADE		1	
24	505 74 83-01	INSERT		1	25
25	505 48 29-01	KNOB		1	23

Go to Discount-Equipment.com to order your parts

P SOFF CUT GX4200
FUEL TANK



Go to Discount-Equipment.com to order your parts

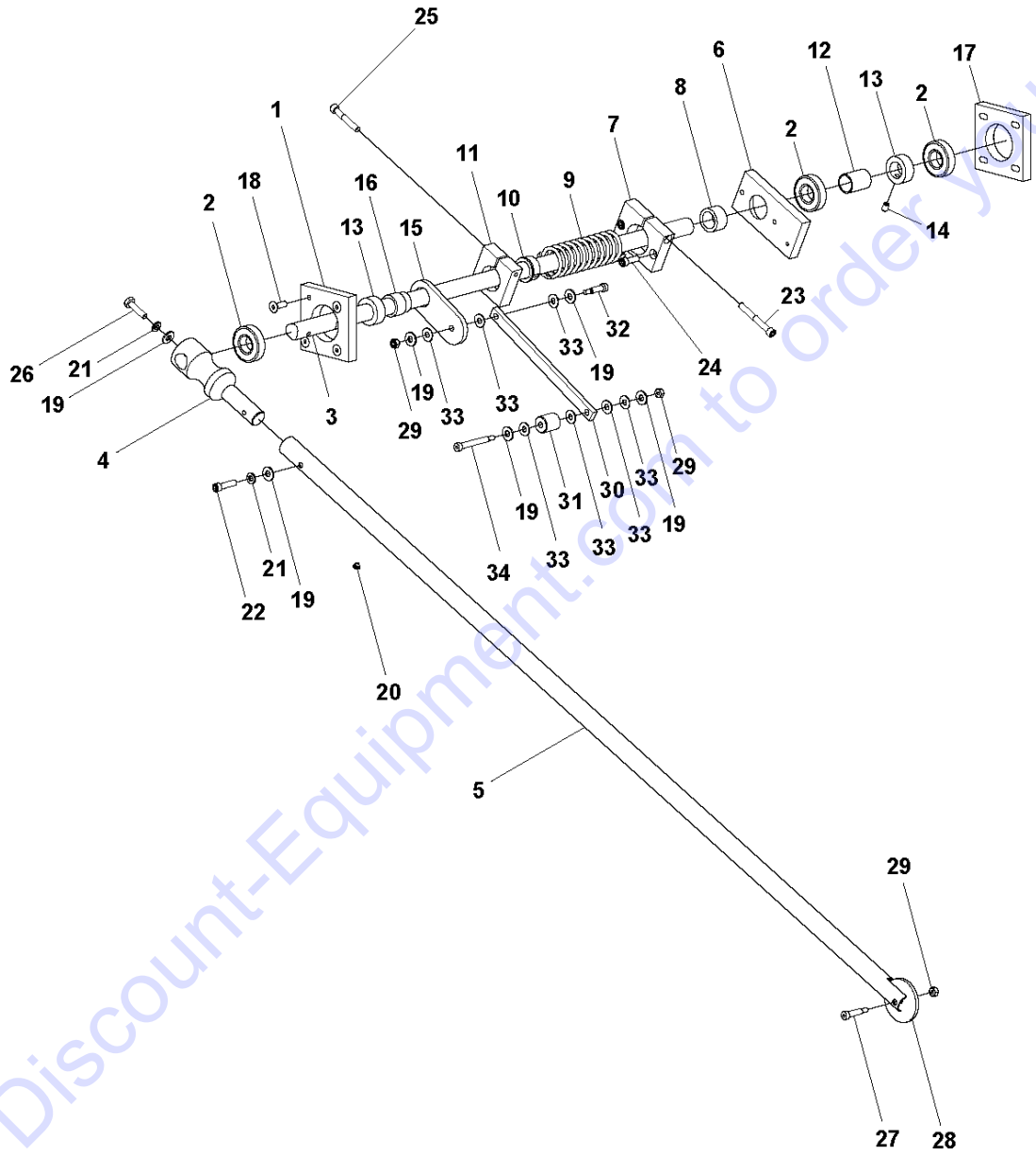
FUEL TANK

SOFF CUT 4200, 2022-06

Ref	Part No	Description	Remark	QTY	KIT
1	529 50 11-01	TANK		1	21, 27
2	505 79 19-01	KNOB	Cross bar, front	1	21
3	505 79 20-01	HOOD	Cross bar, rear	1	21
4	577 60 85-02	COVER		1	21, 27
5	593 01 58-01	FUEL CAP		1	21
6	505 74 83-01	INSERT		1	18, 21
7	505 76 72-01	HOOD	Knob, hood lock	1	18, 21
8	505 73 71-01	SPRING		1	18, 21
9	505 63 20-01	WASHER		1	18, 21
10	539 97 69-78	NUT	Locknut	5	18, 21
11	505 77 34-01	SOCKET	Socket screw	4	21
12	505 62 87-01	SCREW		4	21
13	505 63 31-01	WASHER		8	21
14	505 62 77-01	BOLT		8	21
15	541 20 47-99	FITTING		1	21
16	577 81 35-01	CLAMP		2	21
17	523 05 08-01	HOSE		1	21
18	505 88 66-01	KNOB		1	21
19	576 61 81-01	TANK VENT	Valve fuel check	1	21
20	576 61 82-01	GROMMET		1	21
21	510 27 15-18	FUEL TANK ASSY	510271518	1	
23	542 04 72-73	GROMMET		1	21
24	577 81 35-02	CLAMP		2	21
25	523 05 08-13	HOSE		1	21
26	505 63 93-01	CBL CLAMP 1/2 IN.		2	21
27	534 20 56-01	FUEL TANK	Fuel tank kit	1	21

Go to Discount-Equipment.com to order your parts

Q SOFF CUT GX4200
GUIDE ARM

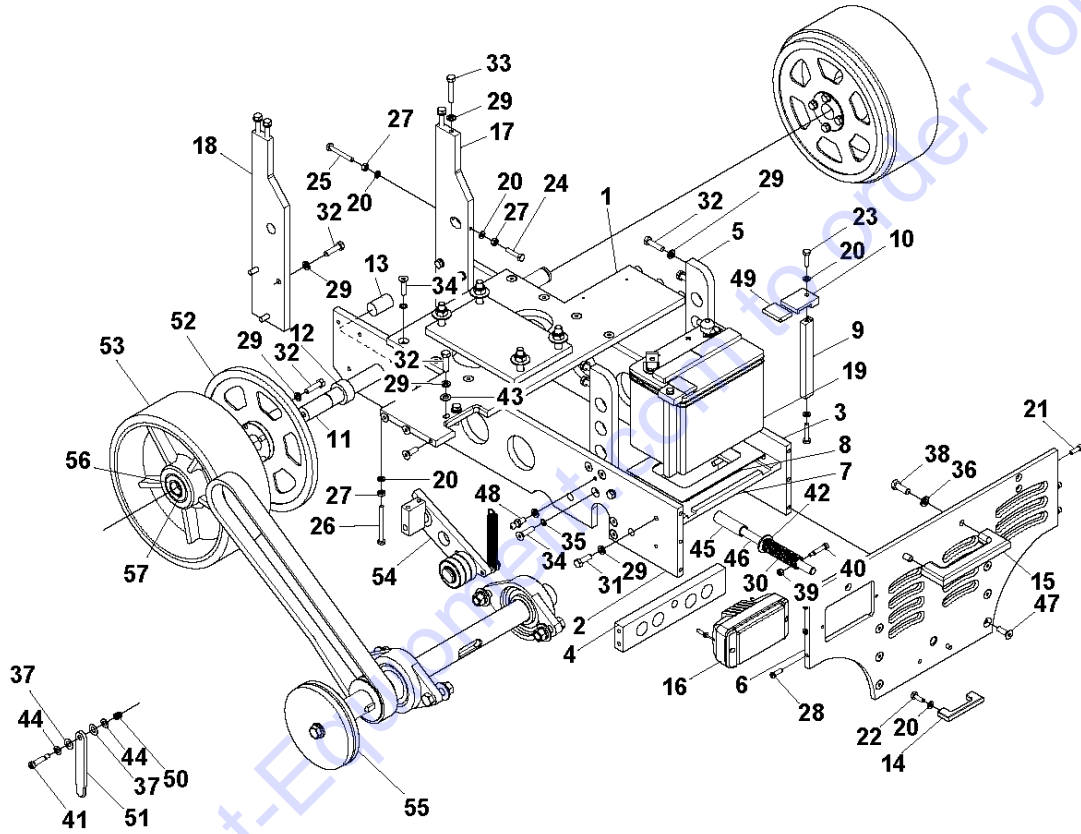


Go to Discount-Equipment.com to order your parts

Ref	Part No	Description	Remark	QTY KIT
1	505 71 37-01	PLATE		1
2	505 73 61-01	BALL BEARING		3
3	505 76 39-01	SHAFT		1
4	505 76 99-01	GUIDE		1
5	505 76 38-01	GUIDE		1
6	505 71 71-01	BLOCK		1
7	505 71 72-01	BLOCK		1
8	505 71 75-01	BUSHING		1
9	505 77 49-01	GUIDE		1
10	505 71 74-01	BUSHING		1
11	505 71 73-01	BLOCK		1
12	505 71 62-01	BUSHING		1
13	505 71 84-01	SHAFT		2
14	542 02 05-41	KEY		2
15	505 71 91-01	PLATE		1
16	505 71 93-01	BUSHING		1
17	505 71 38-01	PLATE		1
18	505 62 86-01	SCREW		4
19	505 63 20-01	WASHER		6
20	505 77 57-01	BUMPER		1
21	505 63 28-01	WASHER		2
22	505 62 79-01	BOLT		1
23	505 72 89-01	BOLT		1
24	505 62 78-01	BOLT		2
25	505 72 88-01	BOLT		1
26	505 72 73-01	BOLT		1
27	505 77 17-01	BOLT		1
28	505 61 42-01	DISC		1
29	505 63 04-01	NUT		3
30	505 76 55-01	LINKAGE		1
31	505 76 70-01	SPACER		1
32	505 72 58-01	BOLT		1
33	505 63 44-01	WASHER		7
34	505 77 16-01	BOLT		1

Go to Discount-Equipment.com to order your parts

R SOFF CUT GX4200
MAIN FRAME

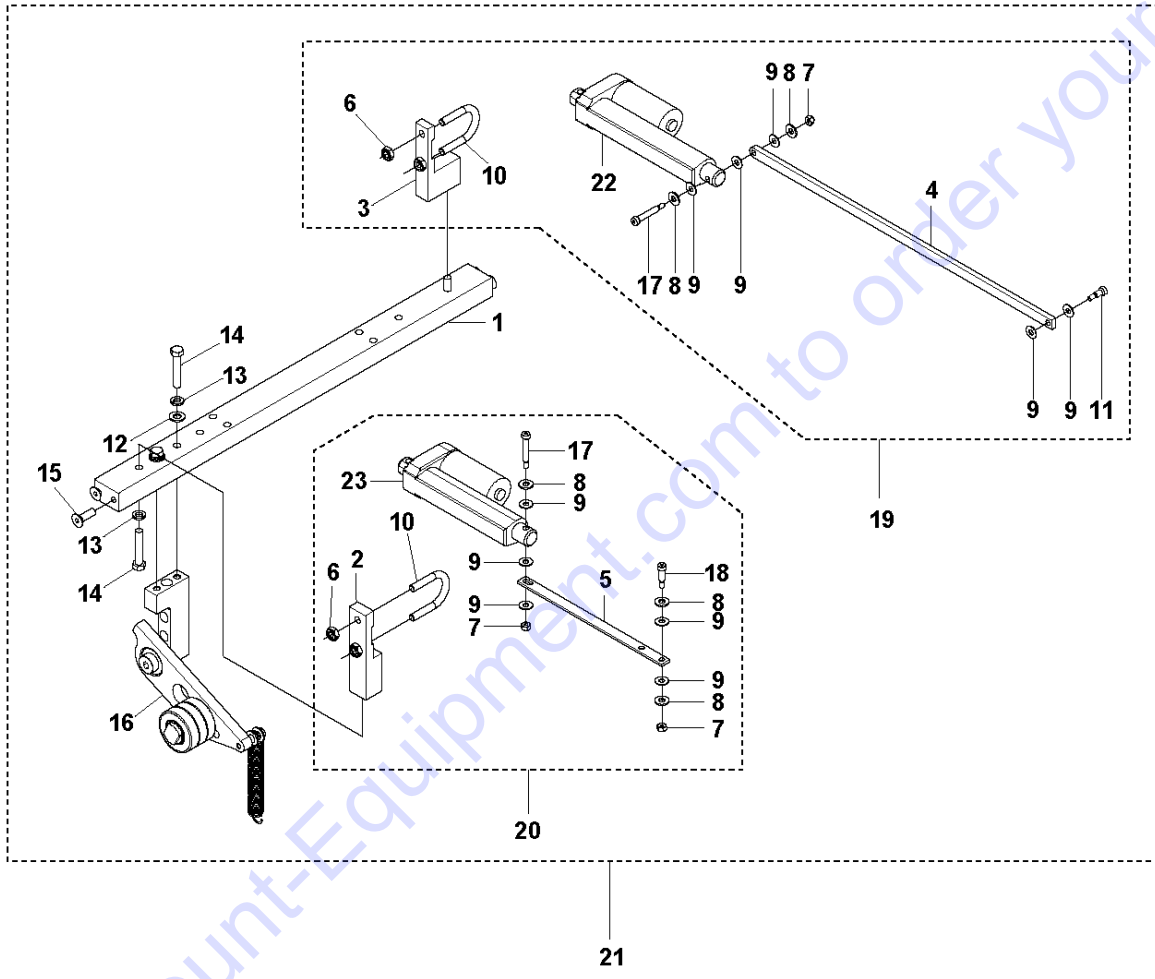


MAINFRAME

SOFF CUT 4200, 2022-06

Ref	Part No	Description	Remark	QTY KIT
1	505 79 14-01	PLATE		1
2	505 75 56-01	FRAME		1
3	505 75 55-01	FRAME		1
4	505 75 72-01	GUIDE BAR		1
5	505 75 59-01	FRONT WHEEL SUPPORT		2
6	505 75 58-01	PLATE		1
7	505 76 42-01	PLATE		1
8	505 76 93-01	PLATE		1
9	505 76 65-01	ARM		2
10	505 71 81-01	BLOCK		2
11	505 76 50-01	REAR AXLE		1
12	505 76 52-01	SHAFT		2
13	505 76 51-01	BUSHING		1
14	505 71 42-01	SHAFT		1
15	505 71 69-01	HANDLE		1
16	505 48 50-02	HEADLAMP		1
17	505 75 53-01	ARM		1
18	505 75 54-01	ARM		1
19	522 95 02-01	BATTERY	Battery, wet, 12V, U-1	1
20	505 63 28-01	WASHER		10
21	505 62 78-01	BOLT		3
22	505 62 75-01	BOLT		2
23	505 72 73-01	BOLT		2
24	505 72 83-01	BOLT		3
25	505 72 81-01	BOLT		1
26	505 72 80-01	BOLT		2
27	505 63 19-01	NUT		4
28	505 66 72-01	SCREW		3
29	505 63 30-01	WASHER		29
30	505 73 72-01	SPRING		1
31	539 99 02-09	SCREW		4
32	505 72 84-01	BOLT		20
33	505 72 85-01	BOLT		4
34	505 77 33-01	SCREW		18
35	505 68 63-01	WASHER		18
36	505 73 10-01	WASHER		2
37	505 63 45-01	WASHER		2
38	505 83 31-01	BOLT		2
39	505 63 04-01	NUT		1
40	505 72 59-01	BOLT		1
41	505 72 67-01	BOLT		1
42	505 73 14-01	WASHER		3
43	539 99 01-88	WASHER		2
44	505 72 52-01	WASHER		2
45	505 76 44-01	ARBOR LOCK 3/4 X 2.35		1
46	505 76 43-01	ARBOR SHAFT		1
47	505 73 01-01	SCREW		12
48	505 73 82-01	BALL JOINT		1
49	505 74 70-01	COVER		2
50	505 63 60-01	SPRING		1
51	505 71 85-01	GUIDE		1
52	505 77 69-01	16160 SPUR GEAR	Spur gear	2
53	505 87 10-01	WHEEL ASSY		2
54	510 27 17-02	BLADE		1
55	510 27 22-02	BLADE SHAFT		1
56	505 73 63-01	BALL BEARING		4
57	542 20 62-05	SNAP RING		2

S SOFF CUT GX4200
PUMP CROSS BAR



Go to Discount-Equipment.com to order your parts

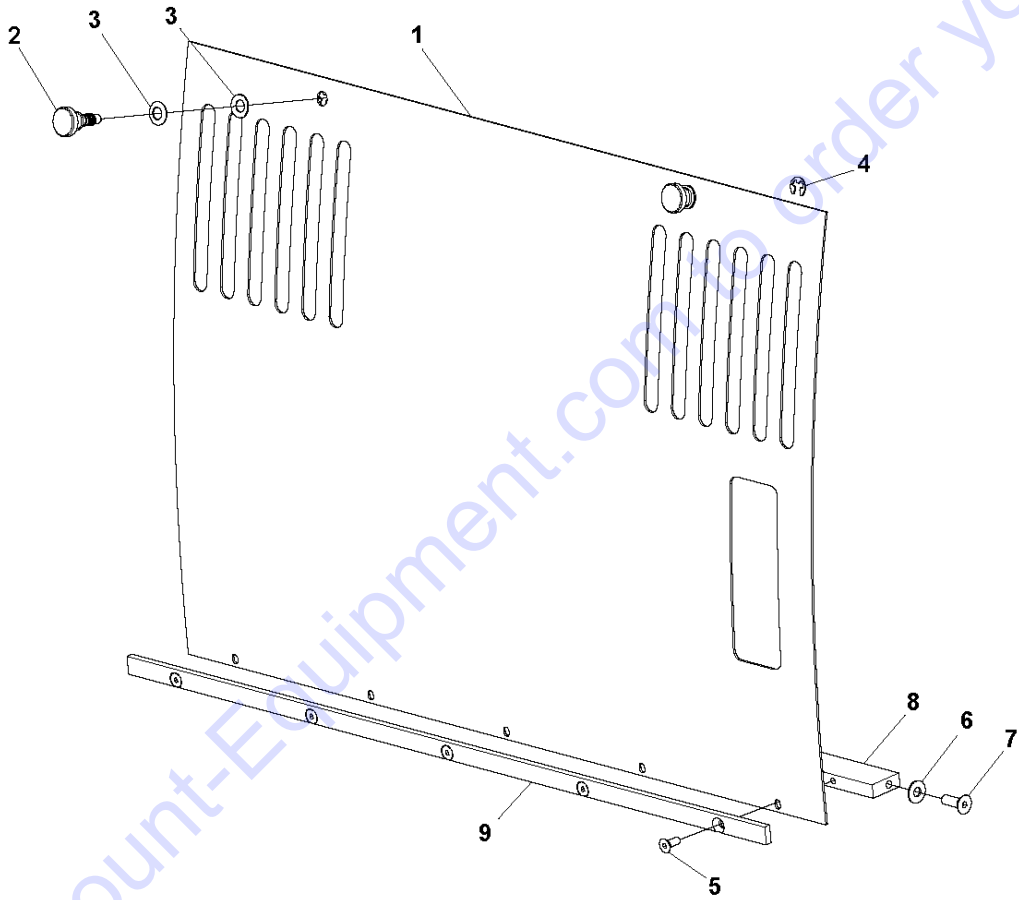
PUMP CROSS BAR ASSEMBLY

SOFF CUT 4200, 2022-06

Ref	Part No	Description	Remark	QTY	KIT
1	505 79 21-01	CROSSBAR		1	21
2	505 61 10-01	BRACKET		1	20, 21
3	505 79 24-01	BRACKET		1	19, 21
4	505 61 11-01	ARM		1	19, 21
5	505 79 22-01	LINKAGE	Actuator/throttle	1	20, 21
6	505 63 17-01	NUT		4	19, 20, 21
7	505 63 04-01	NUT		3	19, 20, 21
8	505 63 20-01	WASHER		5	19, 20, 21
9	505 63 44-01	WASHER		10	19, 20, 21
10	575 42 13-01	CLAMP		2	19, 20, 21
11	505 68 64-01	BOLT		1	19, 21
12	539 99 01-88	WASHER		2	21
13	505 63 30-01	WASHER		4	21
14	505 72 85-01	BOLT		4	21
15	505 62 86-01	SCREW	FHS 1/4-20 X 3/4 S.S.	4	21
16	510 27 18-02	BELT TENSIONER ASSY		1	21
17	505 81 17-01	BOLT		2	19, 20, 21
18	505 72 57-01	BOLT		1	20, 21
19	505 84 80-01	GUIDE		1	21
20	505 84 79-01	THROTTLE		1	21
21	510 27 28-02	ASSEMBLY		1	
22	579 21 51-01	ACTUATOR	Guide arm	1	19, 21
23	505 74 96-01	ACTUATOR	Throttle-P6252	1	20, 21

Go to Discount-Equipment.com to order your parts

T SOFF CUT GX4200
REAR ACCESS ASSEMBLY



Go to Discount-Equipment.com to order your parts

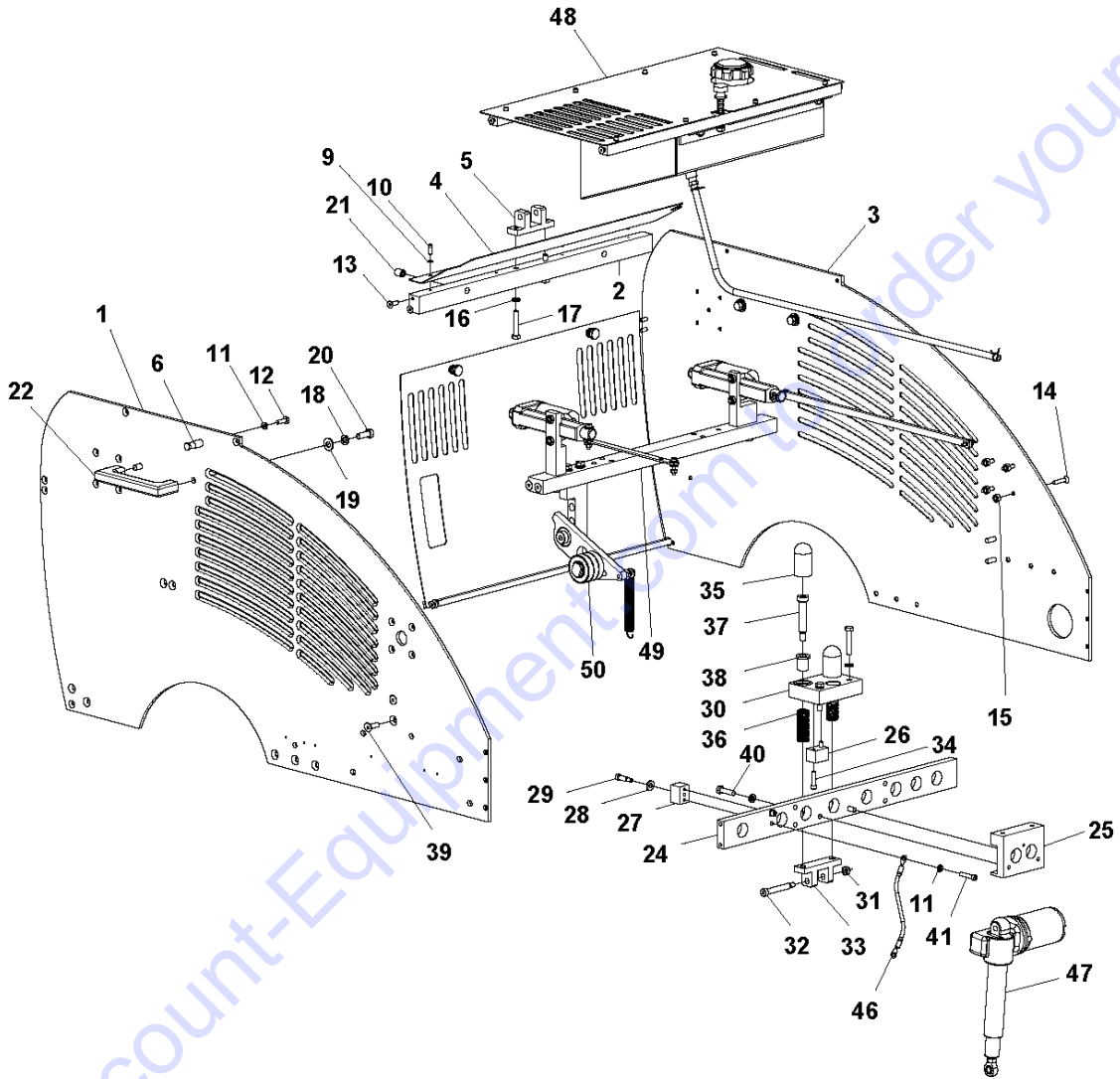
REAR ACCESS ASSEMBLY

SOFF CUT 4200, 2022-06

Ref	Part No	Description	Remark	QTY KIT
1	505 79 16-01	PANEL		1
2	505 53 63-01	KNOB		2
3	505 53 64-01	WASHER		4
4	505 53 65-01	E-CLIP		2
5	505 72 99-01	SCREW		5
6	505 63 44-01	WASHER		2
7	505 62 86-01	SCREW		2
8	505 76 61-01	CROSSBAR		1
9	505 76 71-01	BRACE		1

Go to Discount-Equipment.com to order your parts

U SOFF CUT GX4200
PANEL



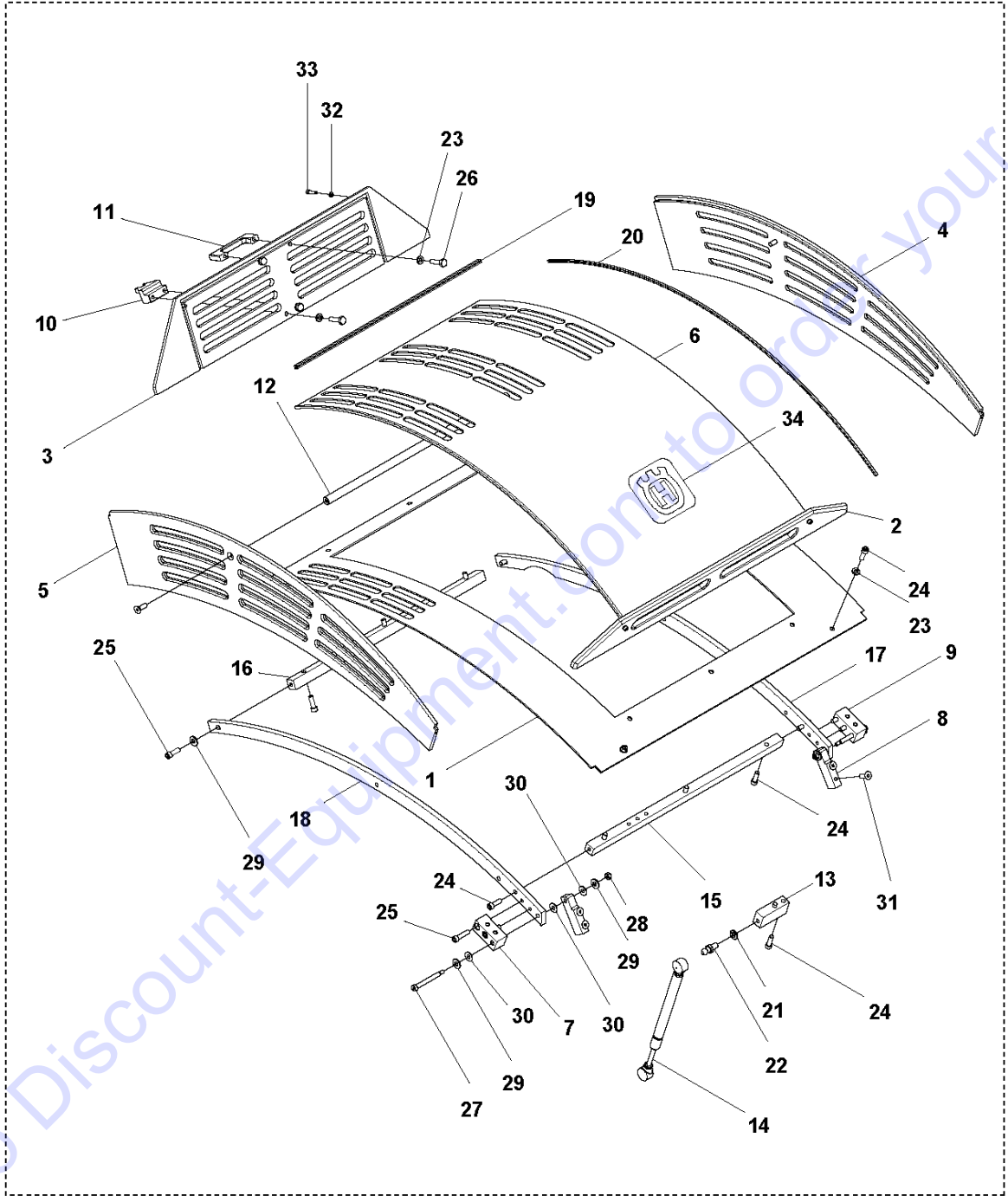
PANEL ASSEMBLY

SOFF CUT 4200, 2022-06

Ref	Part No	Description	Remark	QTY KIT
1	505 79 26-01	PLATE		1
2	505 75 88-01	CROSSBAR		1
3	505 79 25-01	PLATE		1
4	505 75 78-01	COVER		1
5	505 75 70-01	ACTUATOR		1
6	505 71 86-01	ROD		1
9	505 63 31-01	WASHER		4
10	505 72 96-01	BOLT		4
11	505 63 28-01	WASHER		3
12	505 62 75-01	BOLT		1
13	505 62 86-01	SCREW		4
14	505 77 34-01	SOCKET		4
15	539 97 69-78	NUT		4
16	505 63 30-01	WASHER		6
17	505 72 85-01	BOLT		4
18	505 73 10-01	WASHER		4
19	510 30 10-01	WASHER		4
20	505 83 31-01	BOLT		4
21	505 74 83-01	INSERT		2
22	505 71 69-01	HANDLE		2
24	505 75 60-01	WHEEL		1
25	505 75 62-01	FRNT WHL SPRG BLK LOWER		1
26	505 75 63-01	FRNT WHL SPRG BLK STOPPER		1
27	505 68 35-01	BLOCK		1
28	539 99 01-88	WASHER		1
29	505 72 64-01	BOLT		1
30	505 75 61-01	FRNT WHL SPRG BLK UPPER		1
31	539 99 07-17	NUT		1
32	505 62 72-01	BOLT		1
33	505 75 71-01	ACT. BRACKET LOWER FRONT SHOCK		1
34	505 62 79-01	BOLT		2
35	505 77 56-01	CAP		2
36	505 69 07-01	SPRING		2
37	523 05 96-11	BOLT		2
38	505 77 55-01	BUSHING		2
39	505 73 01-01	SCREW		4
40	505 72 84-01	BOLT		2
41	505 62 80-01	BOLT		2
46	575 44 66-06	GROUND CABLE		1
47	505 84 84-01	BLADE		1
48	510 27 15-02	ASSEMBLY		1
49	510 27 28-02	ASSEMBLY		1
50	510 27 18-02	BELT TENSIONER ASSY		1

Go to DiscountEquipment.com to order your parts

V SOFF CUT GX4200
HOOD



Go to Discount-Equipment.com to order your parts

HOOD

SOFF CUT 4200, 2022-06

Ref	Part No	Description	Remark	QTY	KIT
1	505 76 37-01	HOOD		1	
2	505 76 35-01	PLATE		1	35
3	505 76 36-01	PLATE		1	35
4	505 71 22-01	PLATE		1	35
5	505 71 23-01	PLATE		1	35
6	505 71 34-01	PANEL		1	35
7	505 71 31-01	BLOCK		1	35
8	505 76 75-01	BRACKET		2	35
9	505 71 30-01	BLOCK		1	35
10	505 71 95-01	BLOCK		1	35
11	505 71 42-01	SHAFT		1	35
12	505 71 32-01	ROD		1	35
13	505 71 29-01	BLOCK		1	35
14	505 73 81-01	DAMPER		1	35
15	505 71 27-01	BAR		1	35
16	505 71 28-01	BAR		1	35
17	505 79 12-01	BAR		1	35
18	505 71 26-01	BAR		1	35
19	505 73 92-01	CHANNEL		2	35
20	505 73 93-01	CHANNEL		2	35
21	505 63 30-01	WASHER		1	35
22	505 73 82-01	BALL JOINT		1	35
23	505 63 28-01	WASHER		6	35
24	505 62 79-01	BOLT		18	35
25	505 62 75-01	BOLT	HHB, 1/4-20 X 3/4 S.S.	4	35
26	505 72 73-01	BOLT		4	35
27	505 77 12-01	BOLT		2	35
28	505 63 04-01	NUT		2	35
29	505 63 20-01	WASHER		6	35
30	505 63 44-01	WASHER		6	35
31	505 62 86-01	SCREW		6	35
32	505 63 27-01	WASHER		4	35
33	505 72 91-01	BOLT		4	35
34	542 19 07-35	DECAL		1	35
35	505 88 35-01	GX4000 HOOD ASSEMBLY		1	

Go to Discount-Equipment.com to order your parts

PARTS FINDER

**Search Website
by Part Number**



**Search Manual
Library For Parts
Manual & Lookup Part
Numbers – Purchase
or Request Quote**

Search Manuals

Enter your information to search for a manual or to purchase a manual or parts.

* Brand:

* Model:

* Serial:

* Part Number:

SEARCH

**Can't Find Part or
Manual? Request Help
by Manufacturer,
Model & Description**

Parts Order Form

Please fill in the following information:

Manufacturer:

Model:

Description:

Quantity:

Part Number:

Part Name:

Part Description:

Part Category:

Part Location:

Part Status:

Part Condition:

Part Material:

Part Color:

Part Weight:

Part Dimensions:

Part Price:

Part Notes:

Submit

Discount-Equipment.com is your online resource for quality parts & equipment.

Florida: **561-964-4949** Outside Florida TOLL FREE: **877-690-3101**

Need parts?

Click on this link: <http://www.discount-equipment.com/category/5443-parts/> and choose one of the options to help get the right parts and equipment you are looking for. Please have the machine model and serial number available in order to help us get you the correct parts. If you don't find the part on the website or on one of the online manuals, please fill out the request form and one of our experienced staff members will get back to you with a quote for the right part that your machine needs.

We sell worldwide for the brands: Genie, Terex, JLG, MultiQuip, Mikasa, Essick, Whiteman, Mayco, Toro Stone, Diamond Products, Generac Magnum, Airman, Haulotte, Barreto, Power Blanket, Nifty Lift, Atlas Copco, Chicago Pneumatic, Allmand, Miller Curber, Skyjack, Lull, Skytrak, Tsurumi, Husquvarna Target, Stow, Wacker, Sakai, Mi-T-M, Sullair, Basic, Dynapac, MBW, Weber, Bartell, Bennar Newman, Haulotte, Ditch Runner, Menegotti, Morrison, Contec, Buddy, Crown, Edco, Wyco, Bomag, Laymor, EZ Trench, Bil-Jax, F.S. Curtis, Gehl Pavers, Heli, Honda, ICS/PowerGrit, IHI, Partner, Imer, Clipper, MMD, Koshin, Rice, CH&E, General Equipment, Amida, Coleman, NAC, Gradall, Square Shooter, Kent, Stanley, Tamco, Toku, Hatz, Kohler, Robin, Wisconsin, Northrock, Oztec, Toker TK, Rol-Air, APT, Wylie, Ingersoll Rand / Doosan, Innovatech, Con X, Ammann, Mecalac, Makinex, Smith Surface Prep, Small Line, Wanco, Yanmar