



# SPARE PARTS LIST

EARLY ENTRY SAWS

SOFF CUT 4200, 2016-12

Go to [Discount-Equipment.com](http://Discount-Equipment.com) to order your parts



# PARTS FINDER

**Search Website  
by Part Number**



**Search Manual  
Library For Parts  
Manual & Lookup Part  
Numbers – Purchase  
or Request Quote**

**Search Manuals**

Enter your information to help us find the right parts manual for your machine.

\* Brand:

\* Model:

\* Serial:

\* Part Number:

SEARCH

**Can't Find Part or  
Manual? Request Help  
by Manufacturer,  
Model & Description**

**Parts Order Form**

Please fill in the following information to help us find the right part for your machine.

Manufacturer:	<input type="text"/>
Model:	<input type="text"/>
Description:	<input type="text"/>
Part Number:	<input type="text"/>
Quantity:	<input type="text"/>
Notes:	<input type="text"/>

Discount-Equipment.com is your online resource for quality parts & equipment.

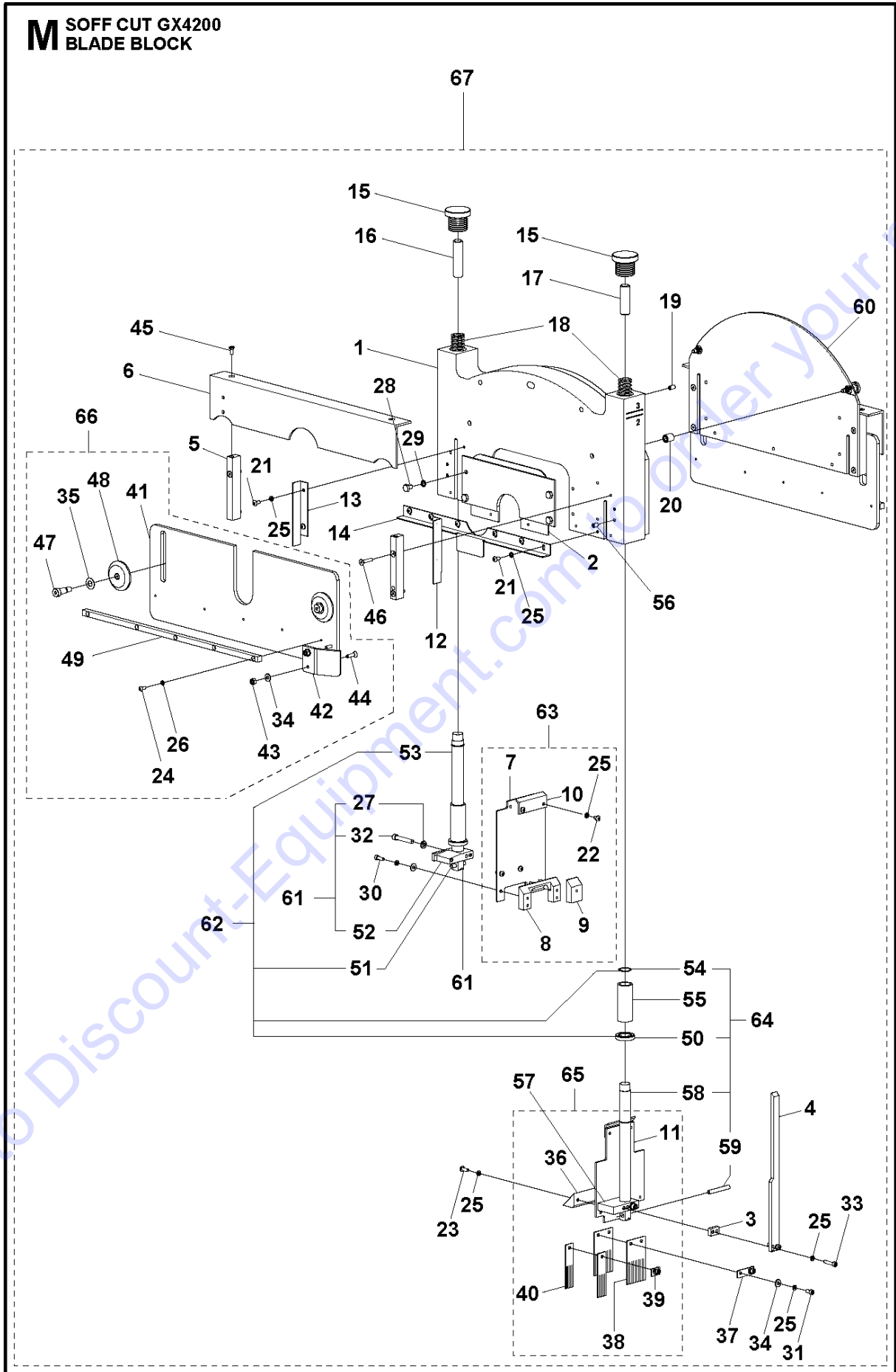
Florida: **561-964-4949** Outside Florida TOLL FREE: **877-690-3101**

**Need parts?**

Click on this link: <http://www.discount-equipment.com/category/5443-parts/> and choose one of the options to help get the right parts and equipment you are looking for. Please have the machine model and serial number available in order to help us get you the correct parts. If you don't find the part on the website or on one of the online manuals, please fill out the request form and one of our experienced staff members will get back to you with a quote for the right part that your machine needs.

We sell worldwide for the brands: Genie, Terex, JLG, MultiQuip, Mikasa, Essick, Whiteman, Mayco, Toro Stone, Diamond Products, Generac Magnum, Airman, Haulotte, Barreto, Power Blanket, Nifty Lift, Atlas Copco, Chicago Pneumatic, Allmand, Miller Curber, Skyjack, Lull, Skytrak, Tsurumi, Husquvarna Target, Stow, Wacker, Sakai, Mi-T-M, Sullair, Basic, Dynapac, MBW, Weber, Bartell, Bennar Newman, Haulotte, Ditch Runner, Menegotti, Morrison, Contec, Buddy, Crown, Edco, Wyco, Bomag, Laymor, EZ Trench, Bil-Jax, F.S. Curtis, Gehl Pavers, Heli, Honda, ICS/PowerGrit, IHI, Partner, Imer, Clipper, MMD, Koshin, Rice, CH&E, General Equipment, Amida, Coleman, NAC, Gradall, Square Shooter, Kent, Stanley, Tamco, Toku, Hatz, Kohler, Robin, Wisconsin, Northrock, Oztec, Toker TK, Rol-Air, APT, Wylie, Ingersoll Rand / Doosan, Innovatech, Con X, Ammann, Mecalac, Makinex, Smith Surface Prep, Small Line, Wanco, Yanmar

**M** SOFF CUT GX4200  
BLADE BLOCK



## BLADE BLOCK

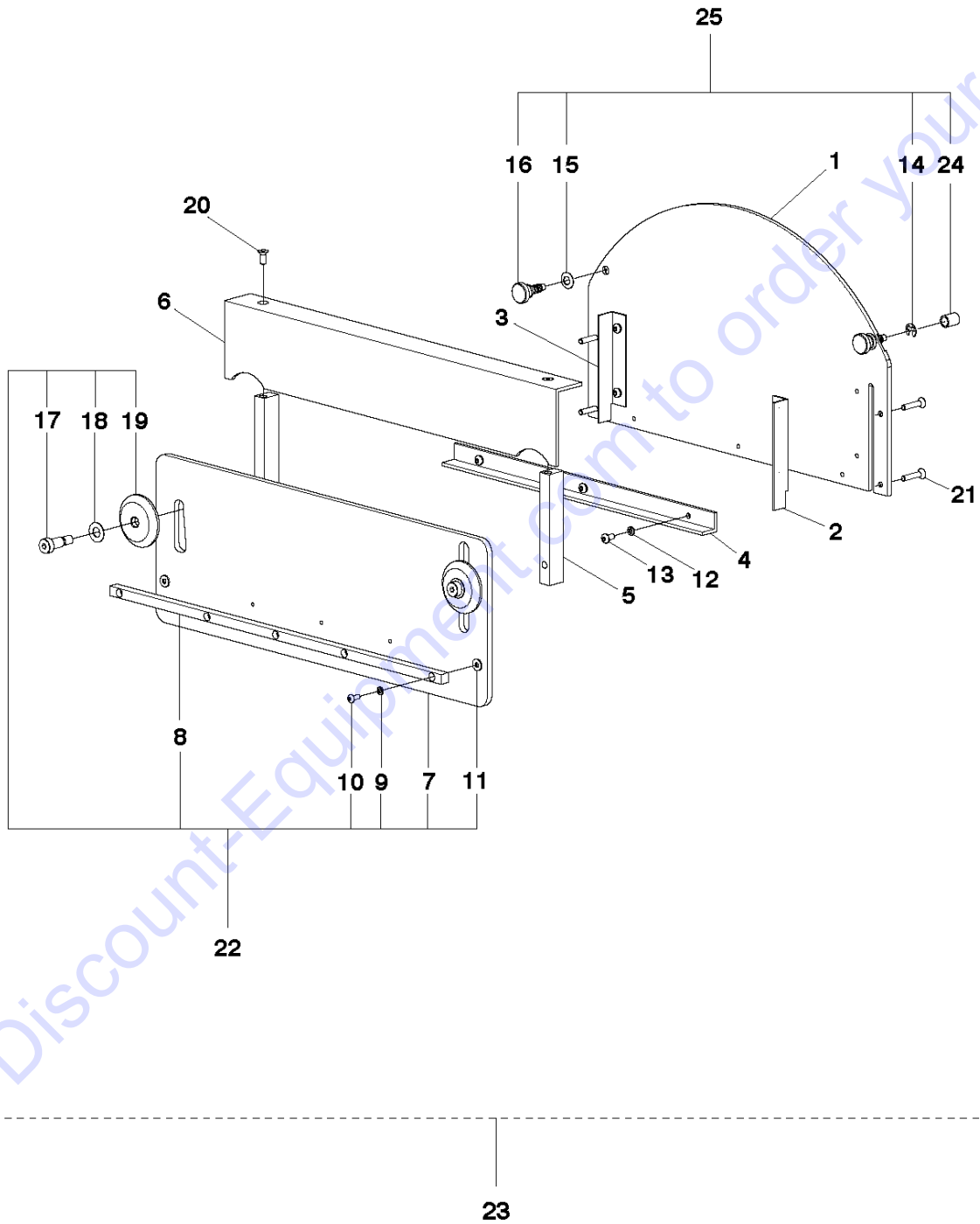
SOFF CUT 4200, 2016-12

Ref	Part No	Description	Remark	QTY	KIT
1	505 78 82-01	BLADE		1	67
2	505 78 98-01	BELT		1	67
3	505 76 07-01	DEPTH POINTER SPACER		1	67
4	505 76 06-01	DEPTH POINTER		1	67
5	505 78 94-01	BLOCK DIVERTER MTG INNER		2	67
6	505 76 23-01	AGLE BRKT BLD BLK INNER		1	67
7	505 78 90-01	PLATE		1	63, 67
8	505 71 03-01	BLOCK		1	63, 67
9	505 78 95-01	BRACKET		1	63, 67
10	505 76 20-01	STEEL		2	63, 67
11	505 78 88-01	REAR DIVERTOR PLATE/GX4000		1	65, 67
12	505 78 96-01	ANGLE DIVERTER-LEFT/BK BLD BLK		1	67
13	505 78 97-01	ANGLE DIVERTER-RIGHT/BK BLD BL		1	67
14	505 79 50-01	ANGLE BRACKET		1	67
15	505 75 98-01	KNOB BLADE BLOCK		2	67
16	505 78 87-01	REAR PLSTC ROD/BLD BLK GX4000		1	67
17	505 78 86-01	FRNT PLSTC ROD/BLD BLK GX4000		1	67
18	505 79 07-01	BLADE		2	67
19	505 63 00-01	FULL DOG SET SCREW S.S. 1/4-20		2	67
20	505 74 83-01	INSERT		2	67
21	505 62 91-01	BHS 10-32-3/8 S.S.		10	67
22	505 62 95-01	BHS 10-32-1/4 S.S.		4	63, 67
23	505 62 98-01	BHS 10-32-1/2 S.S.		4	67
24	505 62 93-01	BHS 8-32-3/8 S.S.		5	66, 67
25	505 63 31-01	LK WASH #10 SPLIT SS		26	63, 67
26	505 63 27-01	LK WASH #8 SPLIT S.S.		5	66, 67
27	505 63 28-01	LK WASH 1/4 SPLIT SS		2	61, 62, 67
28	505 62 73-01	HEX BOLT 1/4-20-3/8 S.S.		4	67
29	505 73 18-01	LK WASH 1/4 EXT TOOTH		4	67
30	505 72 96-01	SHC 10-32 X 1/2 S.S. CBL MTS		3	67
31	505 62 77-01	SHC 10-32-3/8 S.S. NF		3	67
32	505 72 87-01	SHC 1/4-20-1 1/2 BLACK		2	61, 62, 67
33	505 77 28-01	SHC 10-32 X 7/8 SS		2	67
34	505 63 53-01	FLAT WASH #10 S.S		8	66, 67
35	505 63 42-01	FLAT WSHR.750 X .375 X .031 SS		2	66, 67
36	505 78 89-01	REAR AXLE		1	65, 67
37	505 76 89-01	MTG. BAR FOR RUBBER FLAPS BIG		1	67
38	505 76 90-01	LARGE DUST FLAP		2	65, 67
39	505 76 91-01	MTG. BAR FOR RUBBER FLAPS SML		1	65, 67
40	505 76 92-01	SMALL DUST FLAP		2	65, 67
41	505 78 92-01	INNER LEXAN SHIELD		1	66, 67
42	505 76 15-01	SHIELD		1	66, 67
43	505 63 04-01	NYLOC NUT #10-24 CAD.PL.		2	66, 67
44	505 77 29-01	FHC 10-24 X 3/4 SS		2	66, 67
45	505 72 99-01	FHS 10-32-1/2 S.S.		2	67
46	505 73 00-01	SCREW		4	67
47	505 62 71-01	SHSH BOLT 3/8 X 5/8 BLK STL		2	66, 67
48	505 76 17-01	WASHER		2	66, 67
49	505 78 99-01	REAR AXLE		1	66, 67
50	505 73 80-01	SEAL		2	62, 64, 67
51	505 77 40-01	PLATE		1	62, 67
52	505 76 08-01	FRONT AXLE ASSY		1	61, 67
53	505 78 85-01	ROD		1	62, 67
54	505 74 84-01	SPIRAL RETAINING RING		2	62, 64, 67
55	505 66 78-01	SHAFT		2	67
56	505 73 41-01	ST.SCRW BLK CONE PT 1/4-20X1/2		4	67
57	505 76 02-01	REAR AXLE		1	67
58	505 78 84-01	REAR AXLE		1	64, 67
59	587 91 82-01	PIN		1	67
60	505 86 09-01	BLADE		1	67
61	505 88 47-01	GX3000 FRONT ROD CLAMP/ANGLED		1	67

Ref	Part No	Description	Remark	QTY	KIT
62	505 88 81-01	FRONT AXLE ASSY		1	67
63	505 88 84-01	PLATE		1	67
64	505 88 80-01	REAR AXLE		1	67
65	505 88 83-01	REAR AXLE		1	67
66	505 88 88-01	INNER PLATE		1	67
67	501480201	TBD		1	

Go to [Discount-Equipment.com](http://Discount-Equipment.com) to order your parts

**N** SOFF CUT GX4200  
BLADE BLOCK COVER



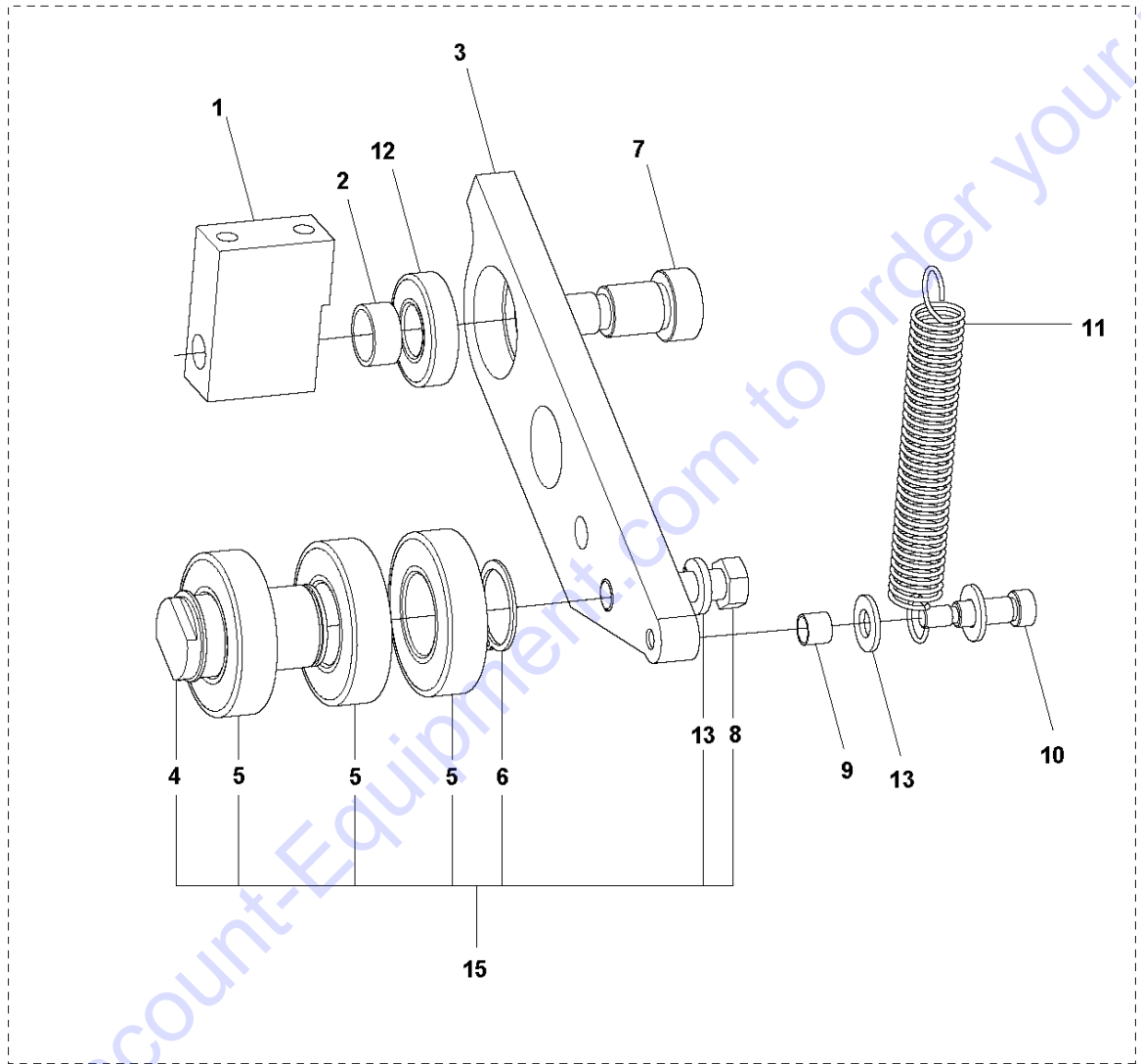
## BLADE BLOCK COVER

SOFF CUT 4200, 2016-12

Ref	Part No	Description	Remark	QTY	KIT
1	505 78 83-01	BLADE		1	23
2	505 79 04-01	ANGLE/DIVERTER/BLD COVER RIGHT		1	23
3	505 79 05-01	ANGLE/DIVERTER/BLD COVER LEFT		1	23
4	505 76 29-01	OUTTER BLADE COVER BOTTOM BRAC		1	23
5	505 78 93-01	BLOCK DIVERTER MTG OUTER		2	23
6	505 76 22-01	AGLE BRKT BLD BLK OUTER		1	23
7	505 78 91-01	OUTTER LEXAN SHIELD		1	22, 23
8	505 76 68-01	STIFFENER		1	22, 23
9	505 63 27-01	LK WASH #8 SPLIT S.S.		5	22, 23
10	505 62 93-01	BHS 8-32-3/8 S.S.		5	22, 23
11	505 82 26-01	FLAT WASH. #8 SAE 18-8 SS		2	22, 23
12	505 63 31-01	LK WASH #10 SPLIT SS		7	23
13	505 62 91-01	BHS 10-32-3/8 S.S.		7	23
14	505 53 65-01	E-CLIP		2	23, 25
15	505 53 64-01	WASHER		2	23, 25
16	505 53 63-01	KNOB		2	23, 25
17	505 62 71-01	SHSH BOLT 3/8 X 5/8 BLK STL		2	22, 23
18	505 63 42-01	FLAT WSHR.750 X .375 X .031 SS		2	22, 23
19	505 76 17-01	WASHER		2	22, 23
20	505 72 99-01	FHS 10-32-1/2 S.S.		2	23
21	505 73 00-01	SCREW		4	23
22	505 88 86-01	PLATE		1	23
23	505 86 09-01	BLADE		1	
24	505 74 83-01	INSERT		1	25
25	505 48 29-01	KNOB		1	23

Go to Discount-Equipment.com to order your parts

**F** SOFF CUT GX4200  
BLADE IDLER PULLEY



Go to Discount-Equipment.com to order your parts



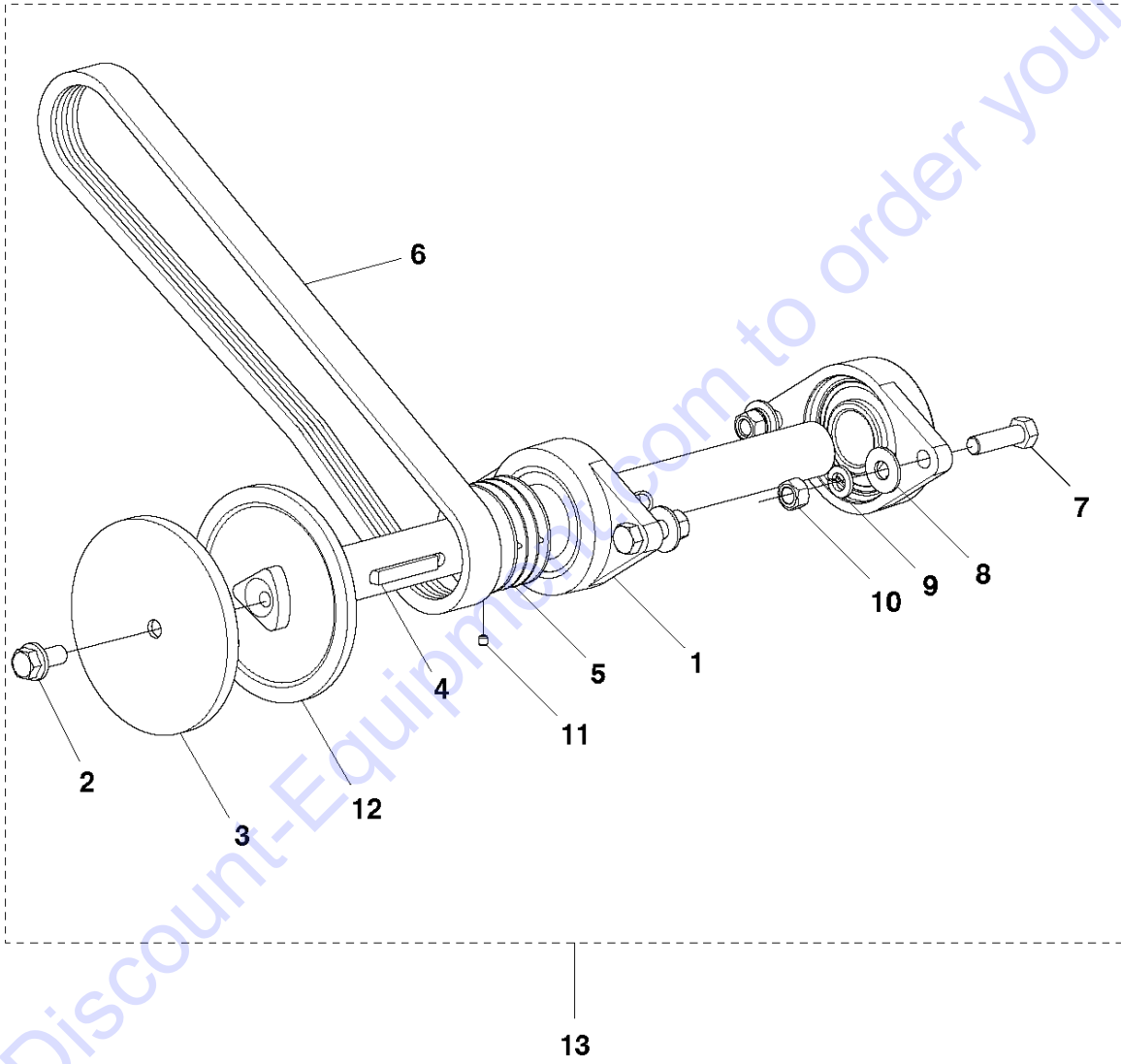
## BLADE IDLER PULLEY

SOFF CUT 4200, 2016-12

Ref	Part No	Description	Remark	QTY	KIT
1	505 71 48-01	MTG BLOCK - BLADE IDLER PULLEY		1	16
2	505 71 46-02	SPACER		1	16
3	505 70 69-01	PUMP ARM IDLER PULLEY		1	16
4	505 70 68-01	BLADE		1	15, 16
5	505 73 63-01	WHEEL		3	15, 16
6	542 20 62-05	SNAP RING		2	15, 16
7	505 72 62-01	SHSB 5/8 X 3/4 BLK STL		1	16
8	505 79 58-01	HEX HD 3/8-16X1 1/2 GR 8		1	15, 16
9	505 71 79-01	BUSHING.G.A.(.315 SPACER)		1	16
10	505 72 64-01	SHSB 5/16 X 3/4 BLK STL		1	16
11	505 79 69-01	SPRING		1	16
12	505 73 60-01	PULLEY		1	16
13	505 73 10-01	LK WASH 3/8 SPLIT SS		1	15, 16
14	539 99 01-88	WASHER		2	16
15	505 86 04-01	GX4200 BLADE IDLER PULLEY KIT		1	16
16	510 27 17-02	BLADE		1	

Go to [Discount-Equipment.com](http://Discount-Equipment.com) to order your parts

**H** SOFF CUT GX4200  
BLADE SHAFT



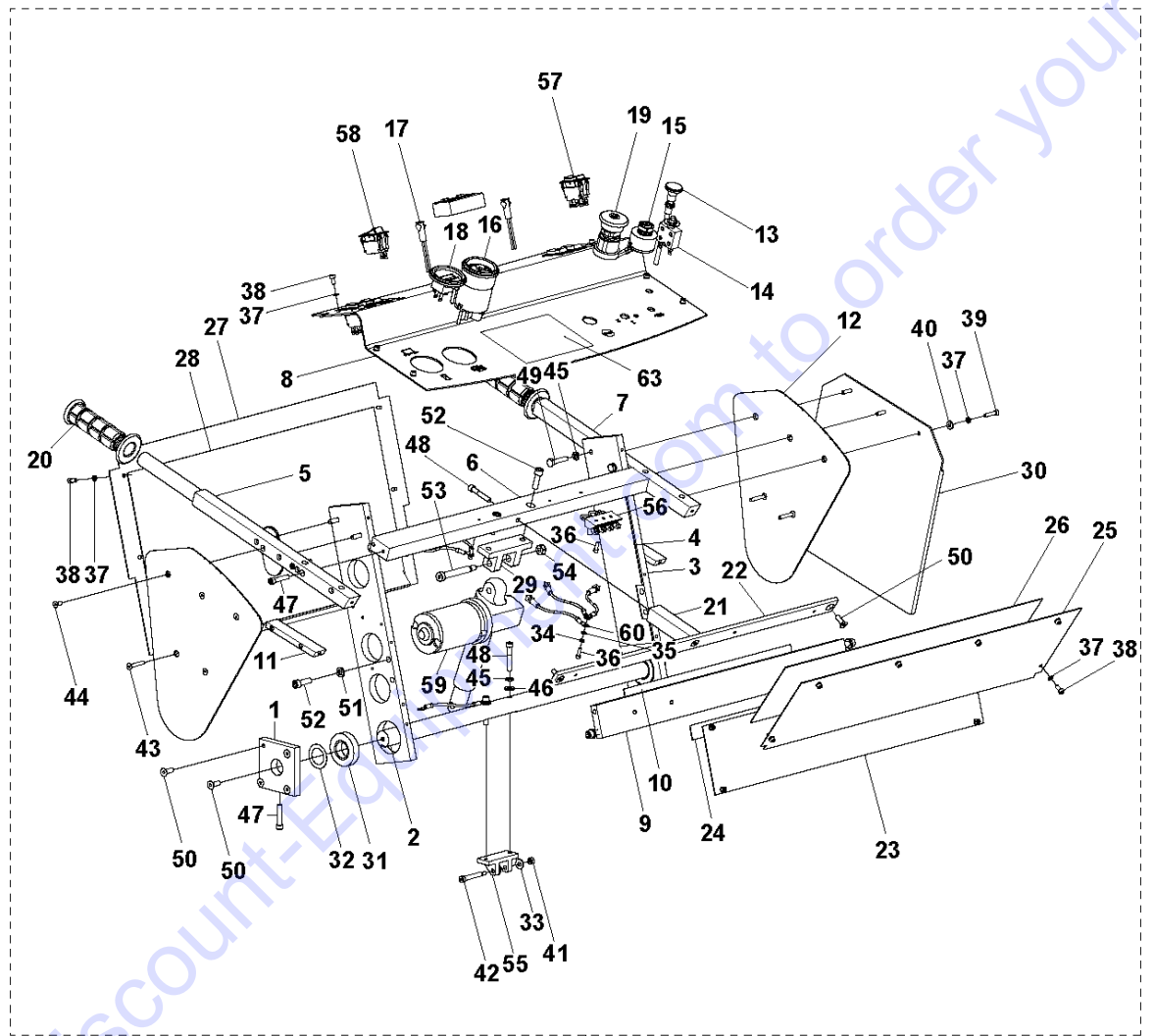
## BLADE SHAFT

SOFF CUT 4200, 2016-12

Ref	Part No	Description	Remark	QTY	KIT
1	505 77 41-01	BLADE SHAFT		2	13
2	505 48 37-01	BOLT		1	13
3	505 49 15-05	WASHER		1	13
4	541 20 21-64	KEY		1	13
5	587 92 98-01	PULLEY		1	13
6	505 77 74-01	V-BELT		1	13
7	505 72 70-01	HEX BOLT 1/2-20-1 3/4 GR 8		4	13
8	505 73 14-01	FLAT WASH 1/2 X 1 1/4 O.D. S.S		4	13
9	505 73 11-01	LK WASH 1/2 SPLIT SS		4	13
10	541 20 48-36	NUT		4	13
11	541 40 36-32	SCREW		4	13
12	505 57 32-04	SHAFT		1	13
13	510 27 22-02	SHAFT		1	

Go to [Discount-Equipment.com](http://Discount-Equipment.com) to order your parts

**L** SOFF CUT GX4200  
CONTROL PANEL

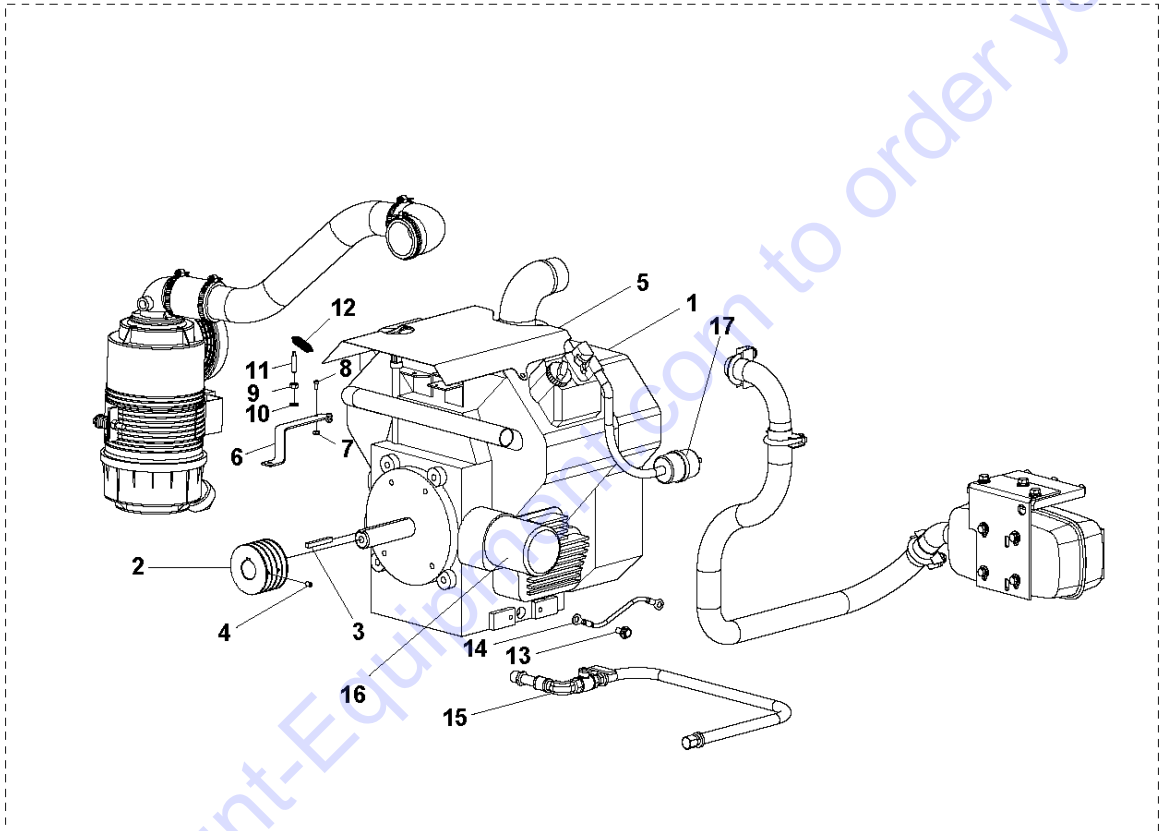


## CONTROL PANEL

SOFF CUT 4200, 2016-12

Ref	Part No	Description	Remark	QTY	KIT
1	505 71 21-01	PLATE SUPPORT. HANDLE SHAFT		2	61
2	505 76 34-01	SHAFT HANDLE		1	61
3	505 71 18-01	PLATE SUPPORT HANDLE		2	61
4	505 72 09-01	RUBBER FOR HANDLES(1562)		2	61
5	505 75 95-01	HANDLE BAR		1	61
6	505 75 86-01	CROSS BAR KEY DASH/A		1	61
7	505 75 94-01	HANDLE BAR		1	61
8	505 79 35-01	CONTROL PANEL		1	61
9	505 75 87-01	BOTTOM SUPPORT BRACE		1	61
10	505 76 98-01	RUBBER FOR 3535-01 14"1/8L 2"W		1	61
11	505 70 80-01	SPACER		2	61
12	505 71 19-01	SIDE COVER HANDLE (INTERCHANGE		2	61
13	505 69 50-01	CHOKE		1	61
14	505 60 51-01	25 AMP. CIRCUIT BREAKER		1	61
15	505 79 76-01	KEY SWITCH		1	61
16	505 75 02-02	TACHOMETER		1	61
17	505 84 60-01	G2/G1/GX3000 LED LIGHT		2	61
18	542 16 64-38	VOLTMETER GAUGE/(FS702T)		1	61
19	505 70 44-01	STOP SWITCH		1	61
20	505 60 11-01	HANDLE GRIP		2	61
21	505 70 83-01	SUPPORT BAR (KEY DASH PANEL)		1	61
22	505 75 85-01	CROSS BAR (KEY DASH)		1	61
23	505 75 79-01	COVER		1	61
24	505 76 97-01	RUBBER FOR 3526 20 7/8L 7/8W		1	61
25	505 75 77-01	COVER		1	61
26	505 76 96-01	RUBBER FOR 3524		1	61
27	505 75 76-01	COVER		1	61
28	505 76 95-01	RUBBER FOR 3523		1	61
29	505 75 70-01	ACTUATOR		1	61
30	505 72 15-01	JOINT		1	61
31	505 73 63-01	WHEEL		2	61
32	505 73 69-01	SHIM S.S. HANDLE		1	61
33	505 63 44-01	WASHER		2	61
34	505 63 27-01	LK WASH #8 SPLIT S.S.		2	61
35	505 73 17-01	LK WASH #8 EXT TOOTH		2	61
36	505 62 82-01	SHC 8-32 X 1/2 S.S.		3	61
37	505 63 31-01	LK WASH #10 SPLIT SS		27	61
38	505 62 77-01	SHC 10-32-3/8 S.S. NF		24	61
39	505 77 28-01	SHC 10-32 X 7/8 SS		3	61
40	505 63 53-01	FLAT WASH #10 S.S		3	61
41	505 63 04-01	NYLOC NUT #10-24 CAD.PL.		1	61
42	505 72 60-01	SHSB 1/4 X 1 1/2 BLK STL		1	61
43	505 72 98-01	FHS 10-24-1 1/4 S.S.		4	61
44	505 72 99-01	FHS 10-32-1/2 S.S.		3	61
45	505 63 28-01	LK WASH 1/4 SPLIT SS		6	61
46	505 63 20-01	WASHER		2	61
47	505 62 80-01	SHC 1/4-20-1 1/4 S.S.		6	61
48	505 72 88-01	SHC 1/4-20-1 1/2 S.S.		3	61
49	505 72 74-01	HEX BOLT 1/4-20 X 1 1/4 GR. 8		4	61
50	505 62 86-01	FHS 1/4-20-3/4 S.S.		13	61
51	505 63 30-01	LK WASH 5/16 SPLIT SS		4	61
52	505 77 25-01	5/16-18 X 1 SHC BLACK		6	61
53	505 62 72-01	SHSH BOLT 3/8 X 2 1/4" (WHEELS		1	61
54	539 99 07-17	NUT		1	61
55	505 70 66-01	ACT. BRKT AGL E /HDLE/MN FRAME		1	61
56	505 75 27-01	TERMINAL BLOCK FOR G2000		1	61
57	582 51 85-01	SWITCH		5	61
58	582518601	TBD		1	61
59	505 84 49-02	KIT		1	61
60	575 44 66-02	KIT		5	61
61	510 27 23-02	ASSEMBLY		1	

**A** SOFF CUT GX4200  
ENGINE



Go to Discount-Equipment.com to order your parts

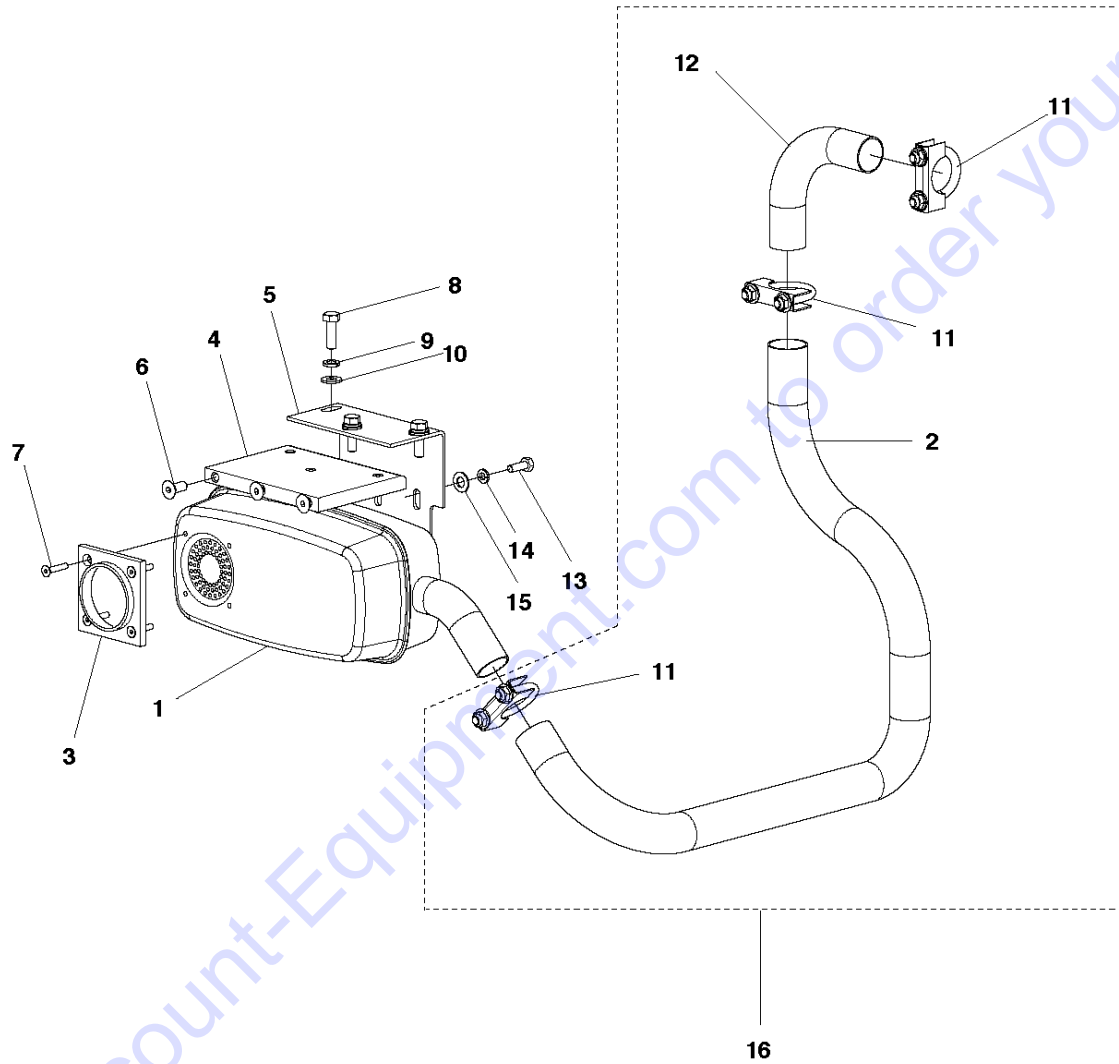
## ENGINE

SOFF CUT 4200, 2016-12

Ref	Part No	Description	Remark	QTY	KIT
1	581 83 08-01	ENGINE	Incl. 2 - 4	1	20
2	587 93 57-01	PULLEY	"Rail 14""", Incl. 2 - 4 "	1	20
3	539 91 02-10	KEY	"Rail 16""", Incl. 2 - 4 "	1	20
4	542 02 05-41	SHSS,.25-20 X.375 CUP HK/CONCR		4	20
5	505 79 15-01	HEAT SHROUD		1	20
6	505 79 23-01	THROTTLE LINKAGE		1	20
7	505 80 21-01	NYLOC NUT 6-32 STAINLESS STEEL		2	20
8	505 62 76-01	SHC 6-32 X 3/8 S.S.		2	20
9	505 63 19-01	JAM NUT 1/4-20 STAINLESS STEEL		1	20
10	505 63 28-01	LK WASH 1/4 SPLIT SS	"14""", 16""", Rail 14"""	1	20
11	505 77 45-01	SPRING ANCHORS	"Rail 16"""	1	20
12	505 63 58-01	SPRING		1	20
13	505 79 56-01	M8 X 16MM FLANGE BOLT	Incl. 11 - 15	1	20
14	575 44 66-05	KIT		1	20
15	505 85 75-07	KIT		1	20
16	505 79 74-01	OIL FILTER	Incl. 16	1	20
17	505 79 82-01	FUEL FILTER		1	20
18	510 27 16-02	ASSEMBLY		1	

Go to Discount-Equipment.com to order your parts

**E** SOFF CUT GX4200  
EXHAUST SYSTEM





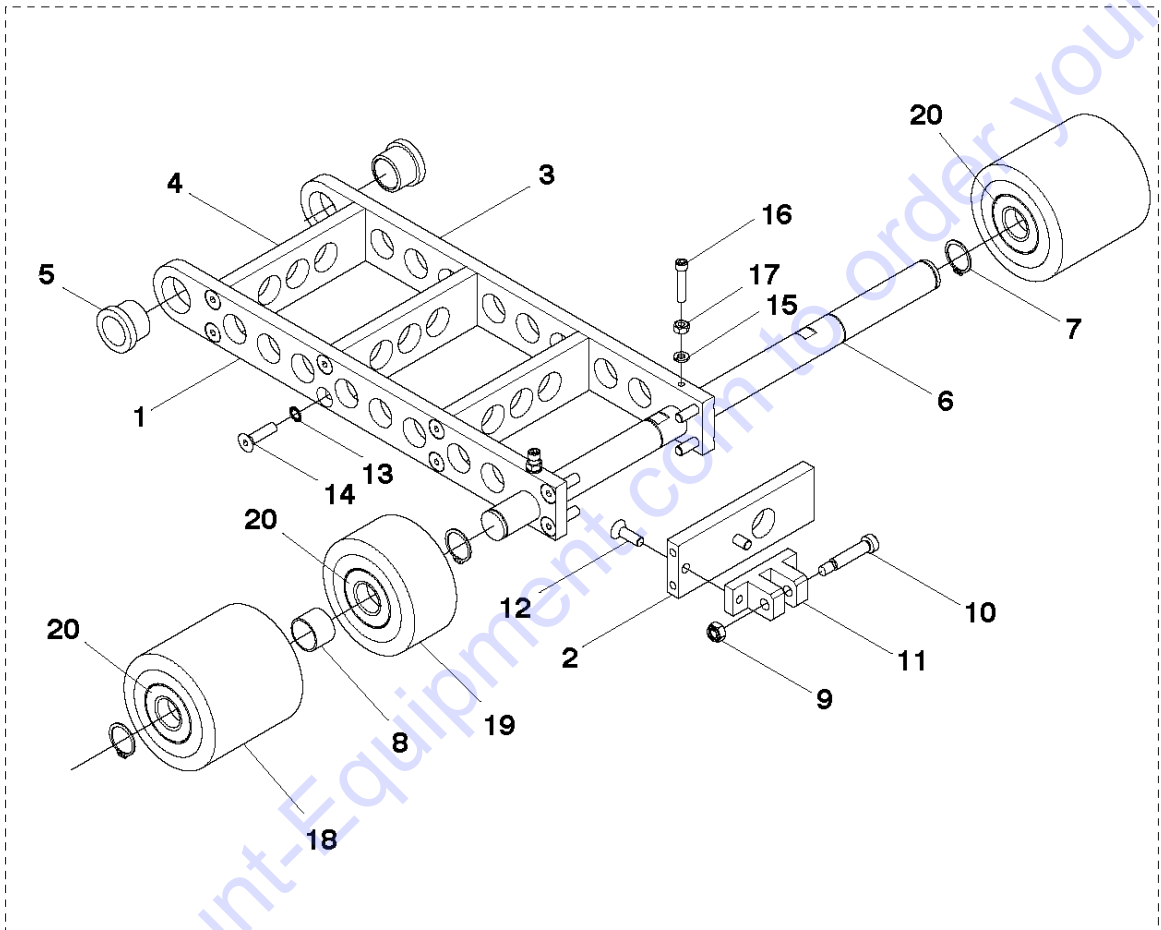
## EXHAUST

SOFF CUT 4200, 2016-12

Ref	Part No	Description	Remark	QTY KIT
1	505 79 72-01	MUFFLER		1
2	505 87 06-01	MUFFLER PIPE		1
3	505 79 28-01	EXHAUST SPACER		1
4	505 79 29-01	MUFFLER MOUNTING PLATE		1
5	505 76 73-02	BRACKET		1
6	505 62 88-01	FHS 5/16-18-3/4 S.S.		3
7	505 73 00-01	SCREW		4
8	539 99 02-09	BOLT		3
9	505 63 30-01	LK WASH 5/16 SPLIT SS		3
10	539 99 01-88	WASHER		3
11	505 74 32-01	MUFFLER CLAMP 1 1/8"		3
12	505 79 73-01	GX4200 EXHAUST ELBOW		1
13	505 62 75-01	HEX BOLT 1/4-20-3/4 S.S.		4
14	505 63 28-01	LK WASH 1/4 SPLIT SS		4
15	505 72 55-01	FLAT WASH 1/4 PFC9 SAE ZINC		4
16	505 87 06-01	MUFFLER PIPE		1

Go to [Discount-Equipment.com](http://Discount-Equipment.com) to order your parts

**SOFF CUT GX4200  
FRONT WHEEL CARRIAGE**



21

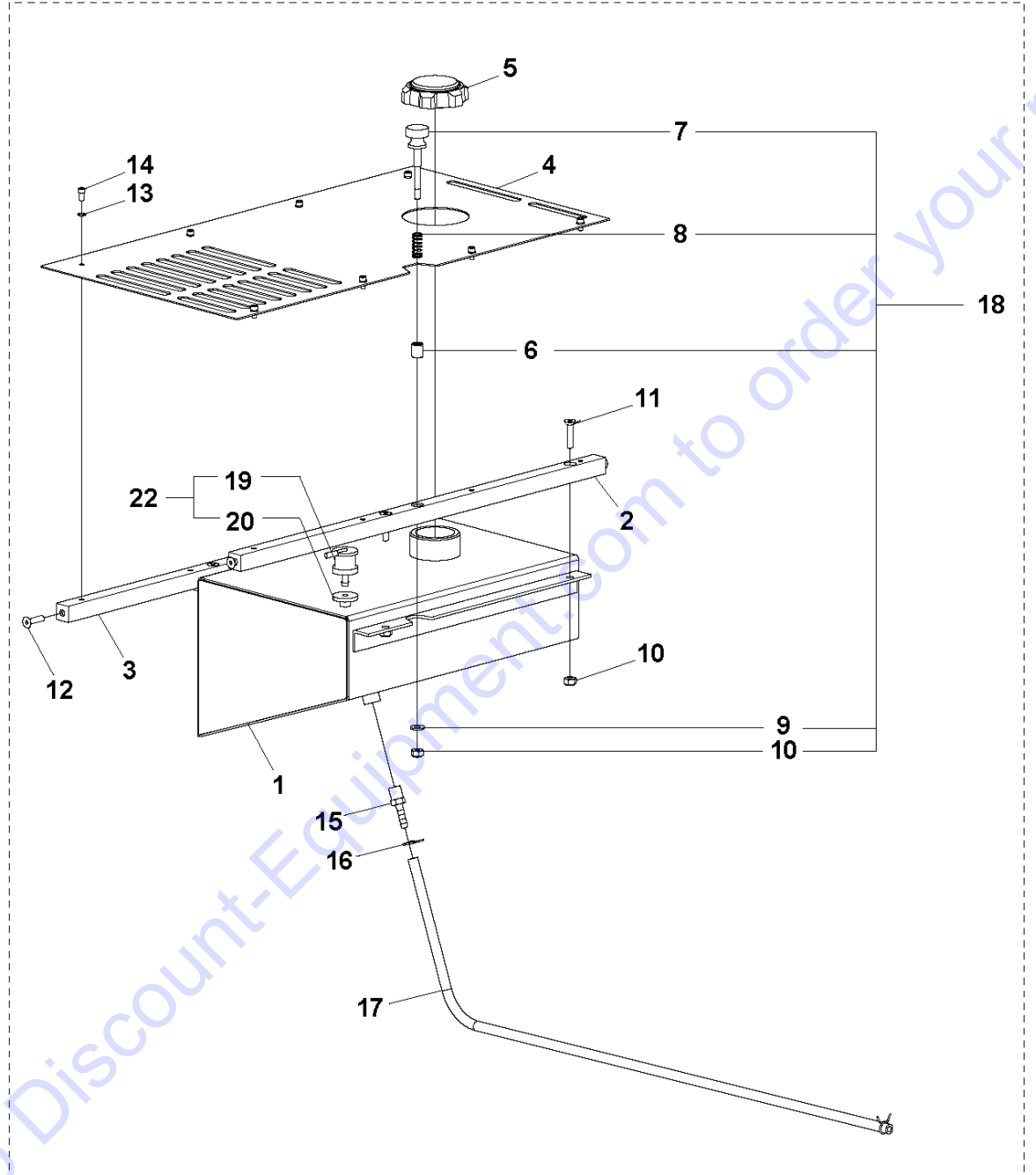
## FRONT WHEEL CARRIAGE

SOFF CUT 4200, 2016-12

Ref	Part No	Description	Remark	QTY	KIT
1	505 75 49-01	FRONT WHEEL AXLE SUP		1	21
2	505 75 51-01	FRONT WHEEL BRACKET		1	21
3	505 75 48-01	FRONT WHEEL AXLE SUP		1	21
4	505 75 50-01	FRONT WHEEL BRACKET		3	21
5	505 70 51-01	BUSHING		2	21
6	505 76 40-01	AXLE		1	21
7	542 20 62-05	SNAP RING		1	21
8	505 76 41-01	FRONT WHEEL SHAFT SPACER 1 1/8		1	21
9	539 99 07-17	NUT		1	21
10	505 83 35-01	SHSB 3/8 X 1 1/2		1	21
11	505 75 69-01	ACTUATOR		1	21
12	505 73 01-01	FHS 5/16-18-1 S.S.		2	21
13	505 68 63-01	5/16 COUNTER SUNK LOCKWASHER		16	21
14	505 77 33-01	FHS SS 5/16-18 X 1 1/4		16	21
15	505 63 28-01	LK WASH 1/4 SPLIT SS		2	21
16	505 62 80-01	SHC 1/4-20-1 1/4 S.S.		2	21
17	505 63 19-01	JAM NUT 1/4-20 STAINLESS STEEL		2	21
18	505 86 91-01	WHEEL ASSY		1	21
19	505 86 92-01	WHEEL ASSY		1	21
20	505 73 63-01	WHEEL		6	21
21	510 27 14-02	ASSEMBLY		1	

Go to Discount-Equipment.com to order your parts

**O** SOFF CUT GX4200  
FUEL TANK



Go to Discount-Equipment.com to order your parts

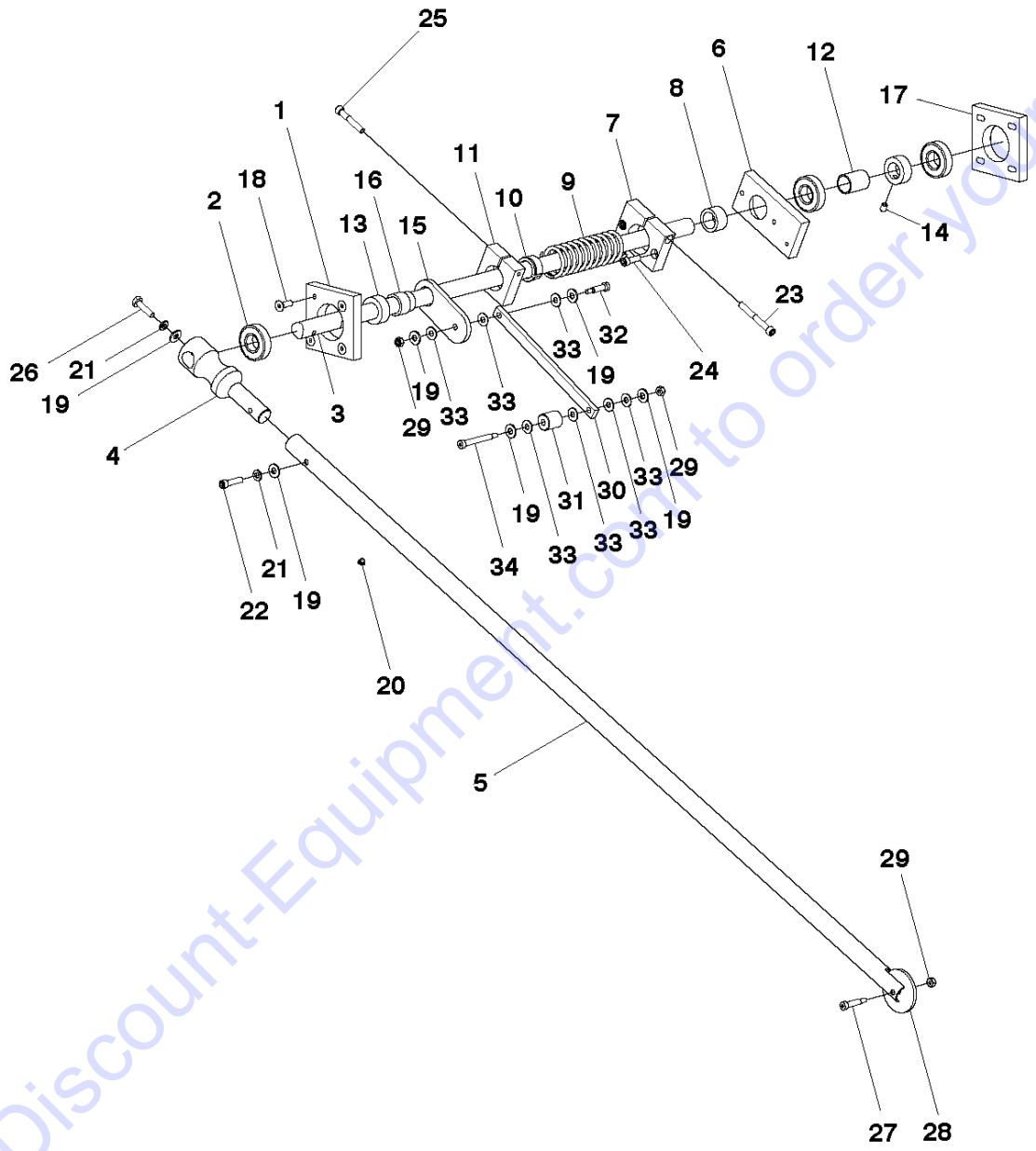
## FUEL TANK

SOFF CUT 4200, 2016-12

Ref	Part No	Description	Remark	QTY KIT
1	585507001	TBD		1
2	505 79 19-01	SUPPORT BRACE HOOD KNOB		1
3	505 79 20-01	HOOD		1
4	577608502	TBD		1
5	505 79 84-01	GAS SPRING		1
6	505 74 83-01	INSERT		1
7	505 76 72-01	HOOD		1
8	505 73 71-01	#520 SPRG THRD KNB/11/21/97		9
9	505 63 20-01	WASHER		1
10	539 97 69-78	NUT		5
11	505 77 34-01	1/4-20 X 1 1/4 FLAT SOCKET SS		4
12	505 62 87-01	FHS 1/4-20-1 S.S.		4
13	505 63 31-01	LK WASH #10 SPLIT SS		8
14	505 62 77-01	SHC 10-32-3/8 S.S. NF		8
15	541 20 47-99	FITTING		1
16	505 77 63-01	7/16 SPRING HOSE CLAMP		2
17	523 05 08-01	HOSE		1
18	505 88 66-01	G2000.G1000.GX3000-HOOD KNOB		1
19	576 61 81-01	VALVE		1
20	576 61 82-01	GROMMET		1
21	510 27 15-02	ASSEMBLY		1

Go to Discount-Equipment.com to order your parts

**P** SOFF CUT GX4200  
GUIDE ARM

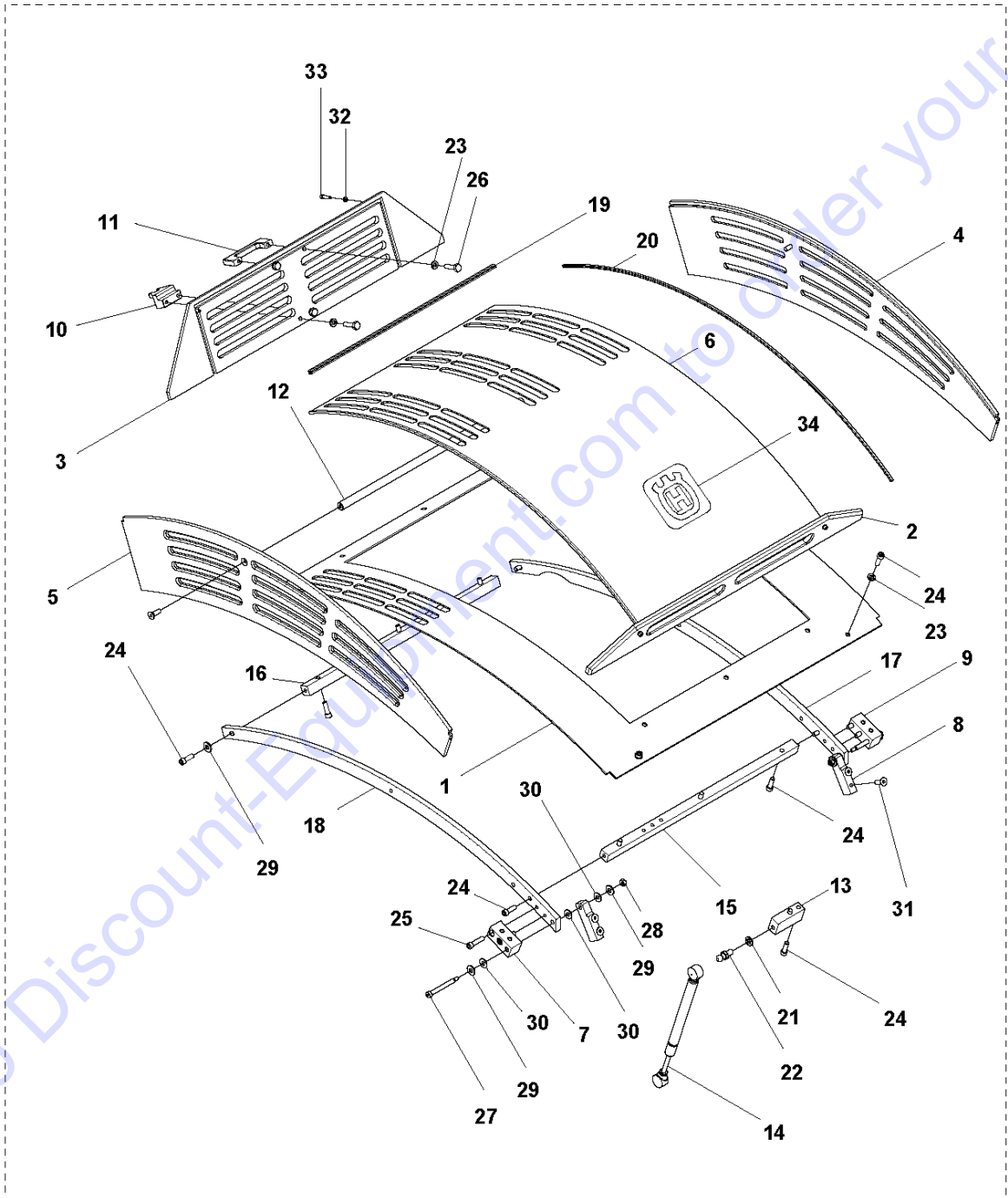


Go to Discount-Equipment.com to order your parts

Ref	Part No	Description	Remark	QTY KIT
1	505 71 37-01	PLATE MOUNTING GUIDE ARM		1
2	505 73 61-01	FRONT AXLE ASSY		3
3	505 76 39-01	SHAFT GUIDE ARM		1
4	505 76 99-01	GUIDE		1
5	505 76 38-01	GUIDE		1
6	505 71 71-01	SPRING		1
7	505 71 72-01	BLOCK		1
8	505 71 75-01	BUSHING		1
9	505 77 49-01	GUIDE		1
10	505 71 74-01	BUSHING		1
11	505 71 73-01	BLOCK		1
12	505 71 62-01	BUSHING		1
13	505 71 84-01	SHAFT. COLLAR 3/4"		2
14	542 02 05-41	SHSS,.25-20 X.375 CUP HK/CONCR		2
15	505 71 91-01	PLATE.HOOD SUPPORT		1
16	505 71 93-01	BUSHING DELRIN.HOOD SUPPORT		1
17	505 71 38-01	PLATE MOUNT/GUIDE ARM ADJ.		1
18	505 62 86-01	FHS 1/4-20-3/4 S.S.		4
19	505 63 20-01	WASHER		6
20	505 77 57-01	RUBBER BUMPER FOR GUIDE		1
21	505 63 28-01	LK WASH 1/4 SPLIT SS		2
22	505 62 79-01	SHC 1/4-20-1 S.S.		1
23	505 72 89-01	SHC 1/4-20-2 S.S.		1
24	505 62 78-01	SHC 1/4-20-3/4 S.S.		2
25	505 72 88-01	SHC 1/4-20-1 1/2 S.S.		1
26	505 72 73-01	HEX BOLT 1/4-20-1 STAINLESS ST		1
27	505 77 17-01	SHSB 1/4 X 7/8		1
28	505 61 42-01	DISC		1
29	505 63 04-01	NYLOC NUT #10-24 CAD.PL.		3
30	505 76 55-01	THROTTLE EXTENSION		1
31	505 76 70-01	HOOD STOP SPACER		1
32	505 72 58-01	SHSB 1/4 X 3/4 BLK STL		1
33	505 63 44-01	WASHER		7
34	505 77 16-01	SHSB 1/4 X 1 3/4		1

Go to Discount-Equipment.com to order your parts

**U** SOFF CUT GX4200  
HOOD



Go to Discount-Equipment.com to order your parts



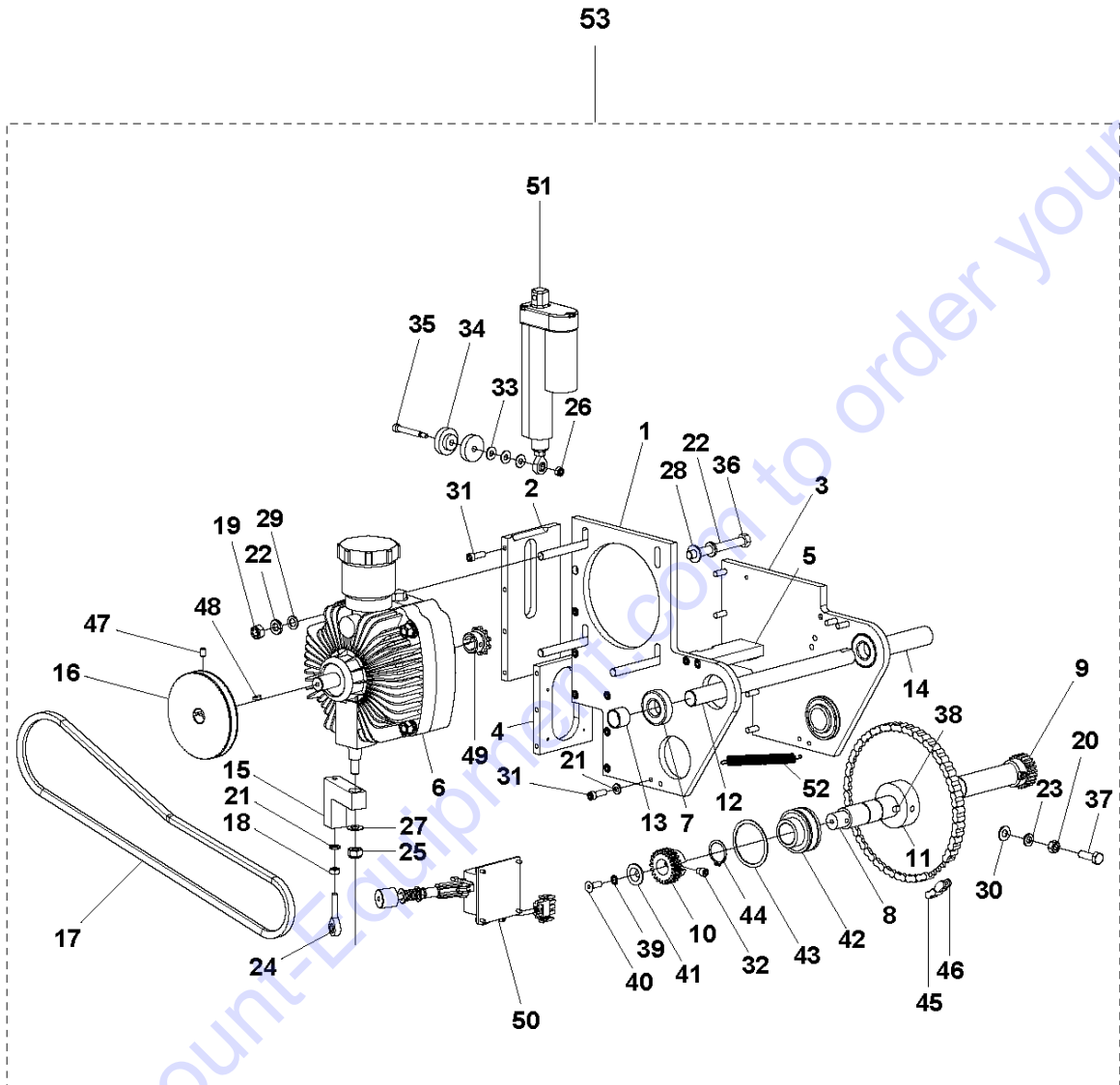
## HOOD

SOFF CUT 4200, 2016-12

Ref	Part No	Description	Remark	QTY	KIT
1	505 76 37-01	HOOD. LOWER		1	
2	505 76 35-01	FRONT PLATE HOOD		1	35
3	505 76 36-01	REAR PLATE HOOD		1	35
4	505 71 22-01	SIDE PLATE HOOD (LEFT)		1	35
5	505 71 23-01	SIDE PLATE HOOD (RIGHT)		1	35
6	505 71 34-01	PANEL HOOD		1	35
7	505 71 31-01	BLOCK. HOOD MOUNTING (RIGHT)		1	35
8	505 76 75-01	HOOD		2	35
9	505 71 30-01	BLOCK. HOOD MOUNTING (LEFT)		1	35
10	505 71 95-01	BLOCK.HOOD LATCH		1	35
11	505 71 42-01	GUARD ARBOR LOCK SHAFT		1	35
12	505 71 32-01	ROD. HOOD SUPPORT		1	35
13	505 71 29-01	BLOCK. SUPPORT GAS SHOCK		1	35
14	505 73 81-01	GAS SHOCK (HOOD)		1	35
15	505 71 27-01	BAR. FRONT SUPPORT W/HOLES		1	35
16	505 71 28-01	BAR. REAR SUPPORT W/O HOLES		1	35
17	505 79 12-01	LEFT SIDE SUPPORT BAR HOOD		1	35
18	505 71 26-01	BAR. SIDE SUPPORT HOOD		1	35
19	505 73 92-01	GLAZING CHANNEL FOR HOOD 15/64		2	35
20	505 73 93-01	GLAZING CHANNEL FOR HOOD 9/64-		2	35
21	505 63 30-01	LK WASH 5/16 SPLIT SS		1	35
22	505 73 82-01	BALL JOINT		1	35
23	505 63 28-01	LK WASH 1/4 SPLIT SS		6	35
24	505 62 78-01	SHC 1/4-20-3/4 S.S.		14	35
25	505 62 79-01	SHC 1/4-20-1 S.S.		4	35
26	505 72 73-01	HEX BOLT 1/4-20-1 STAINLESS ST		4	35
27	505 77 12-01	SHSB 1/4 X 2		2	35
28	505 63 04-01	NYLOC NUT #10-24 CAD.PL.		2	35
29	505 63 20-01	WASHER		6	36
30	505 63 44-01	WASHER		6	37
31	505 62 86-01	FHS 1/4-20-3/4 S.S.		6	38
32	505 63 27-01	LK WASH #8 SPLIT S.S.		4	39
33	505 72 91-01	SHC 8-32-5/8 S.S.		4	40
34	542 19 07-35	DECAL		1	41
35	505 88 35-01	GX4000 HOOD ASSEMBLY		1	

Go to Discount-Equipment.com to order your parts

**J** SOFF CUT GX4200  
PUMP



Go to Discount-[Equipment](#) to order your parts

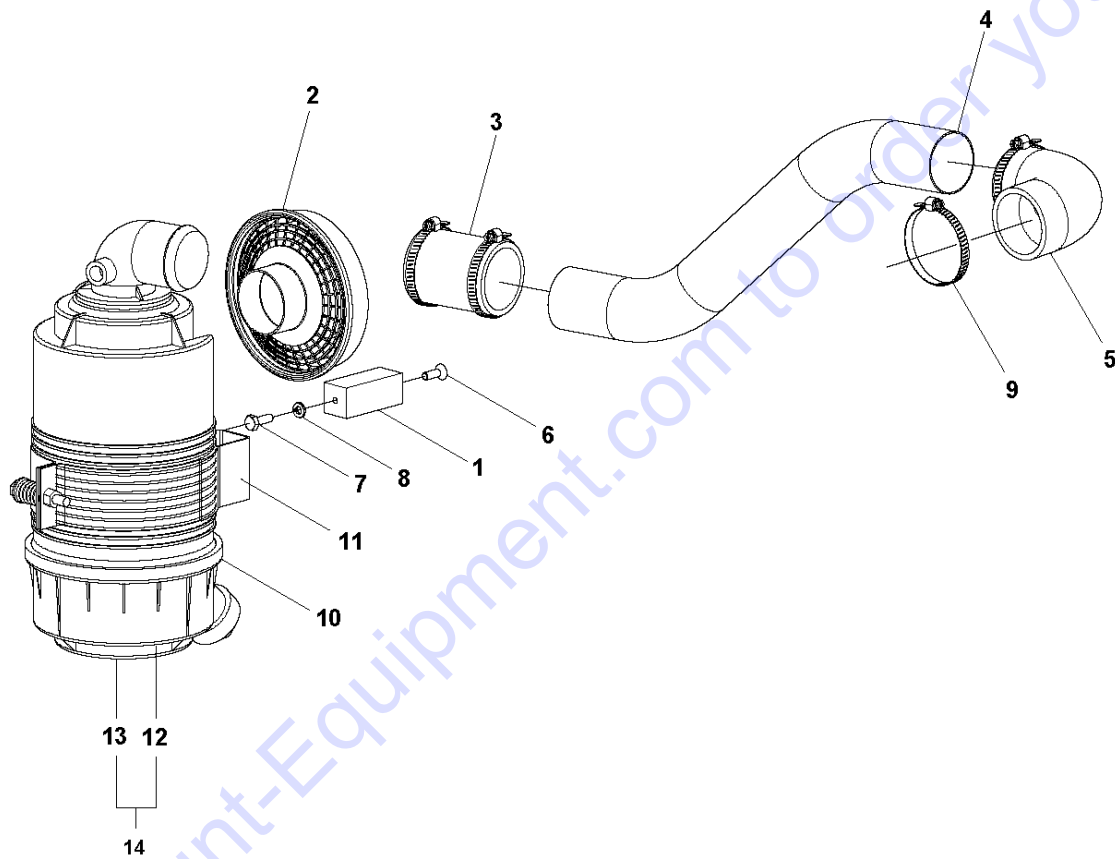
## HYDRAULIC PUMP - MOTOR

SOFF CUT 4200, 2016-12

Ref	Part No	Description	Remark	QTY KIT
1	505 75 65-01	PUMP SUPPORT PLATE RIGHT		1
2	505 75 66-01	PUMP BRACE & ACT. SUPPORT		1
3	505 60 76-01	PUMP SUPPORT PLATE LEFT		1
4	505 70 61-01	PUMP REAR BRACE PLATE		1
5	505 75 68-01	PUMP BRACE TOP		1
6	582382801	TBD		1
7	505 73 61-01	FRONT AXLE ASSY		2
8	505 76 47-01	DRIVE SHAFT		1
9	505 77 71-01	GEAR WHEEL		1
10	505 77 70-01	1624 SPUR GEAR(BOTH SAWS)/RIGH		1
11	505 73 94-01	SPROCKET		1
12	505 76 57-01	PUMP SUPPORT SHAFT		1
13	505 76 58-01	7/8 X .630 PUMP SPACER		1
14	505 76 56-01	PUMP SPACER 7/8 X 3.675		1
15	505 76 46-01	PUMP CONTROL ARM		1
16	587 93 53-01	PULLEY		1
17	505 77 75-01	PUMP		1
18	505 73 29-01	1/4-28 HEX JAM NUT ZINC		1
19	539 99 01-30	NUT		4
20	505 73 24-01	NUT		1
21	505 63 28-01	LK WASH 1/4 SPLIT SS		3
22	505 73 10-01	LK WASH 3/8 SPLIT SS		8
23	505 63 30-01	LK WASH 5/16 SPLIT SS		1
24	505 74 34-01	ROD END 1/4" PLATED		1
25	539 97 69-79	NUT		1
26	505 63 04-01	NYLOC NUT #10-24 CAD.PL.		1
27	505 63 42-01	FLAT WSHR.750 X .375 X .031 SS		1
28	539 99 05-17	WASHER		4
29	505 72 40-01	FLAT WASH 3/8 AN 960 WASHERS U		4
30	539 99 01-88	WASHER		1
31	505 62 78-01	SHC 1/4-20-3/4 S.S.		19
32	505 77 27-01	1/4-20 X 1/4 SHCS SS		4
33	505 63 44-01	WASHER		3
34	505 75 67-01	ACTUATOR		2
35	505 72 60-01	SHSB 1/4 X 1 1/2 BLK STL		1
36	539 30 08-70	NLA HCS 3/8-16 X 3-1/2 GR 5 ZN		4
37	539 99 02-09	BOLT		1
38	510 31 81-01	KEY		1
39	505 68 62-01	1/4 COUNTERSUNK EXT LOCKWASHER		2
40	505 62 86-01	FHS 1/4-20-3/4 S.S.		2
41	505 76 48-01	SS WASHER FOR DRIVE SHAFT		2
42	505 68 94-01	PUMP/DRIVE SHAFT BEARING		2
43	505 69 02-01	SNAP RING		2
44	505 73 34-01	SNAP RING		2
45	505 86 97-01	GX3000 DRIVE CHAIN 30"		1
46	505 73 96-01	CONNECTING LINK #35		1
47	505 73 38-01	SET SCREW 1/4-20-3/8 KNURLED P		2
48	539 30 07-49	KEY		2
49	587 65 99-01	SPROCKET		1
50	505 84 51-01	SPEED CONTROL SYSTEM		1
51	505 84 71-01	ACTUATOR		1
52	505 77 52-01	5460 SPRG FOR PUMP TENSIONER		1
53	510 27 19-02	ASSEMBLY		1

Go to [DiscountShipments.com](http://www.DiscountShipments.com) to order your parts

**C** SOFF CUT GX4200  
INTAKE SYSTEM



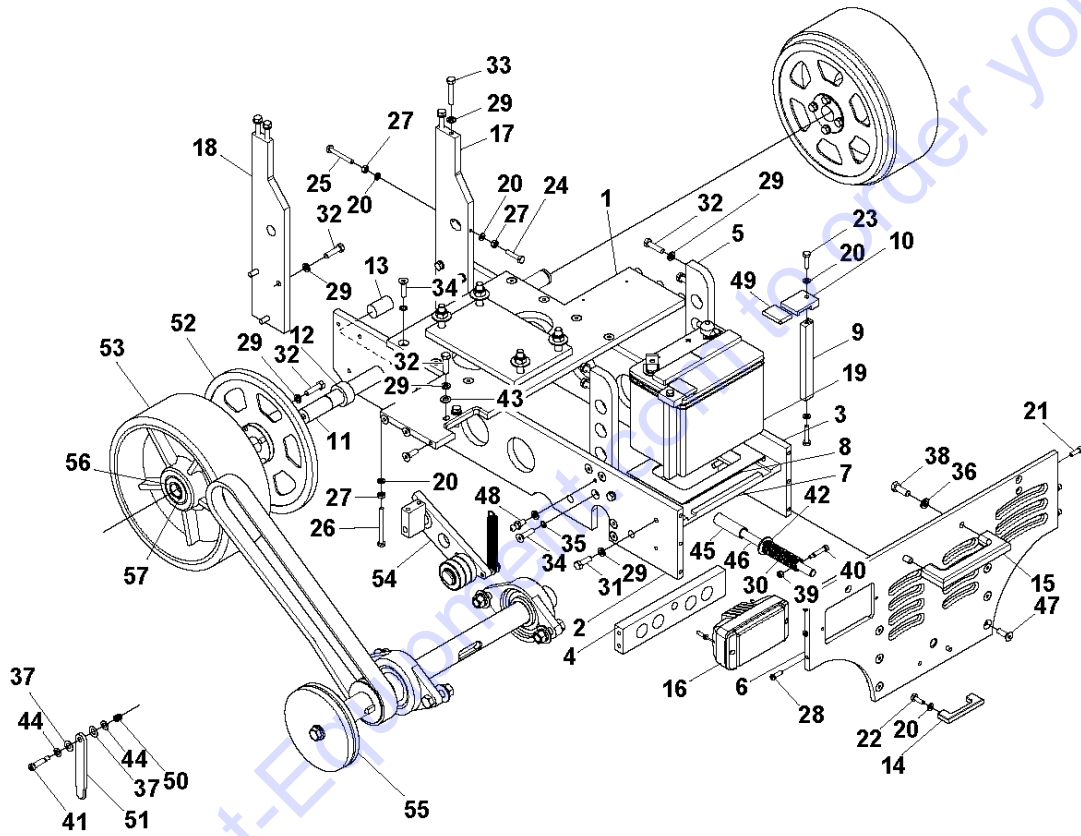
INTAKE SYSTEM

SOFF CUT 4200, 2016-12

Ref	Part No	Description	Remark	QTY	KIT
1	505 79 33-01	AIR CANISTER SUPPORT BRACE		1	
2	505 83 63-01	HOOD		1	
3	575 65 42-03	HOSE		1	
4	505 79 18-01	INTAKE TUBE		1	
5	505 74 50-02	ELBOW		1	
6	505 62 86-01	FHS 1/4-20-3/4 S.S.		1	
7	505 62 75-01	HEX BOLT 1/4-20-3/4 S.S.		1	
8	505 63 28-01	LK WASH 1/4 SPLIT SS		1	
9	505 77 60-01	1 9/16--2 1/2 WORM GEAR CLAMP		4	
10	505 83 61-01	AIR CLEANER		1	
11	523 01 76-01	BRACKET		1	
12	505 79 80-01	AIR FILTER		1	15
13	505 79 81-01	AIR FILTER		1	15
14	505 48 23-06	FILTER	2 inner filters & 2 outer filters	1	

Go to Discount-Equipment.com to order your parts

**Q** SOFF CUT GX4200  
MAIN FRAME

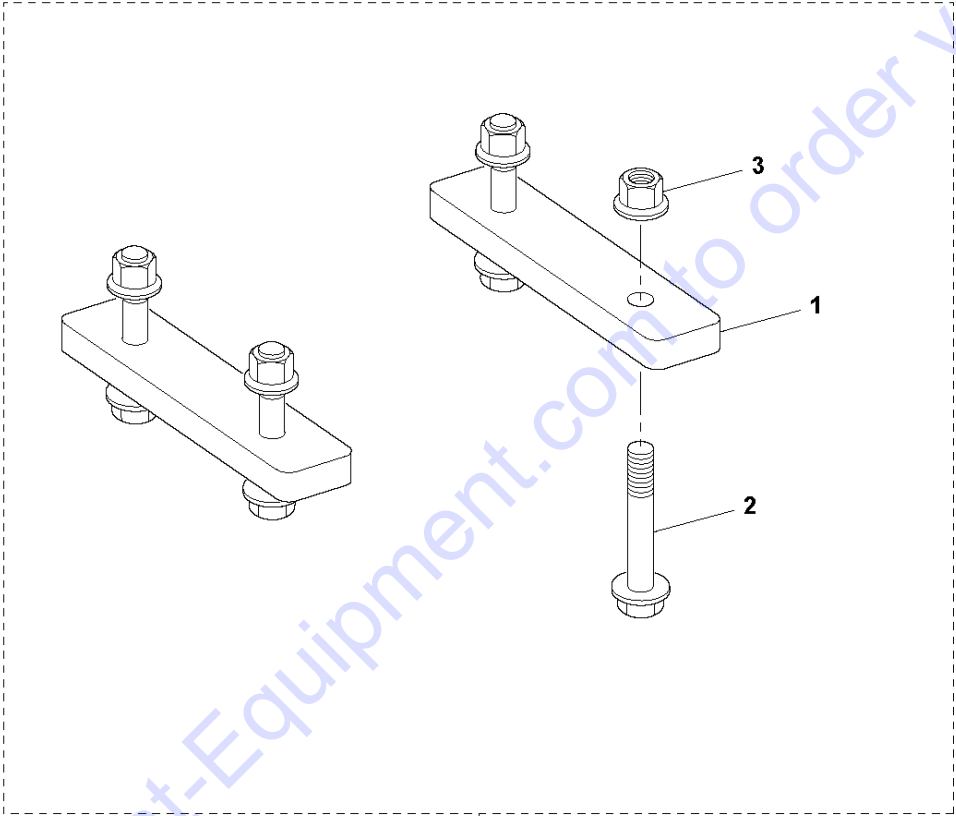


## MAINFRAME

SOFF CUT 4200, 2016-12

Ref	Part No	Description	Remark	QTY KIT
1	505 79 14-01	BOTTOM PLATE		1
2	505 75 56-01	SIDE FRAME RIGHT		1
3	505 75 55-01	SIDE FRAME LEFT		1
4	505 75 72-01	GUIDE BAR		1
5	505 75 59-01	FRONT WHEEL SUPPORT		2
6	505 75 58-01	FRONT PLATE		1
7	505 76 42-01	BATTERY PLATE		1
8	505 76 93-01	BATTERY PLATE RUBBER		1
9	505 76 65-01	BATTERY ARM		2
10	505 71 81-01	BLOCK.BATTERY G2000 & GS1000		2
11	505 76 50-01	REAR AXLE		1
12	505 76 52-01	DELTRIN REAR SHAFT/WHEELS/.690		2
13	505 76 51-01	BUSHING		1
14	505 71 42-01	GUARD ARBOR LOCK SHAFT		1
15	505 71 69-01	HANDLES		1
16	505 75 22-01	FRONT AXLE ASSY		1
17	505 75 53-01	PUMP SUPPORT ARM LEFT		1
18	505 75 54-01	PUMP SUPPORT ARM RIGHT		1
19	505 78 62-01	BATTERY		1
20	505 63 28-01	LK WASH 1/4 SPLIT SS		10
21	505 62 78-01	SHC 1/4-20-3/4 S.S.		3
22	505 62 75-01	HEX BOLT 1/4-20-3/4 S.S.		2
23	505 72 73-01	HEX BOLT 1/4-20-1 STAINLESS ST		2
24	505 72 83-01	HEX BOLT 1/4-20 X 1 1/4" ALL T		3
25	505 72 81-01	HEX BOLT 1/4-20-2 S.S. ALL THR		1
26	505 72 80-01	HEX BOLT 1/4-20-2 3/4 ALL THRD		2
27	505 63 19-01	JAM NUT 1/4-20 STAINLESS STEEL		4
28	505 66 72-01	GBHS 1/4-20-3/4 S.S.		3
29	505 63 30-01	LK WASH 5/16 SPLIT SS		29
30	505 73 72-01	SPRING		1
31	539 99 02-09	BOLT		4
32	505 72 84-01	HEX BOLT 5/16-18 X 1 1/4 GRADE		20
33	505 72 85-01	HEX BOLT 5/16-18 X 1 3/4 GRADE		4
34	505 77 33-01	FHS SS 5/16-18 X 1 1/4		18
35	505 68 63-01	5/16 COUNTER SUNK LOCKWASHER		18
36	505 73 10-01	LK WASH 3/8 SPLIT SS		2
37	505 63 45-01	FLAT WSHR .750X.379 X.031 DEL		2
38	505 83 31-01	HEX BOLT 3/8 - 16 X 1 S.S.		2
39	505 63 04-01	NYLOC NUT #10-24 CAD.PL.		1
40	505 72 59-01	SHSB 1/4 X 1 BLK STL		1
41	505 72 67-01	SHSB 5/16 X 1 BLK STL		1
42	505 73 14-01	FLAT WASH 1/2 X 1 1/4 O.D. S.S		1
43	539 99 01-88	WASHER		2
44	505 72 52-01	WASHER		2
45	505 76 44-01	ARBOR LOCK 3/4 X 2.35		1
46	505 76 43-01	ARBOR SHAFT		1
47	505 73 01-01	FHS 5/16-18-1 S.S.		12
48	505 73 82-01	BALL JOINT		1
49	505 74 70-01	BATTERY CLAMP COVERS(BLACK)(2)		2
50	505 63 60-01	SPRING		1
51	505 71 85-01	REAR AXLE		1
52	505 86 98-01	REAR AXLE		2
53	505 87 10-01	WHEEL ASSY		2
54	510 27 17-02	BLADE		1
55	510 27 22-02	SHAFT		1
56	505 73 63-01	WHEEL		4
57	542 20 62-05	SNAP RING		2

**B** SOFF CUT GX4200  
MOTOR MOUNT



4

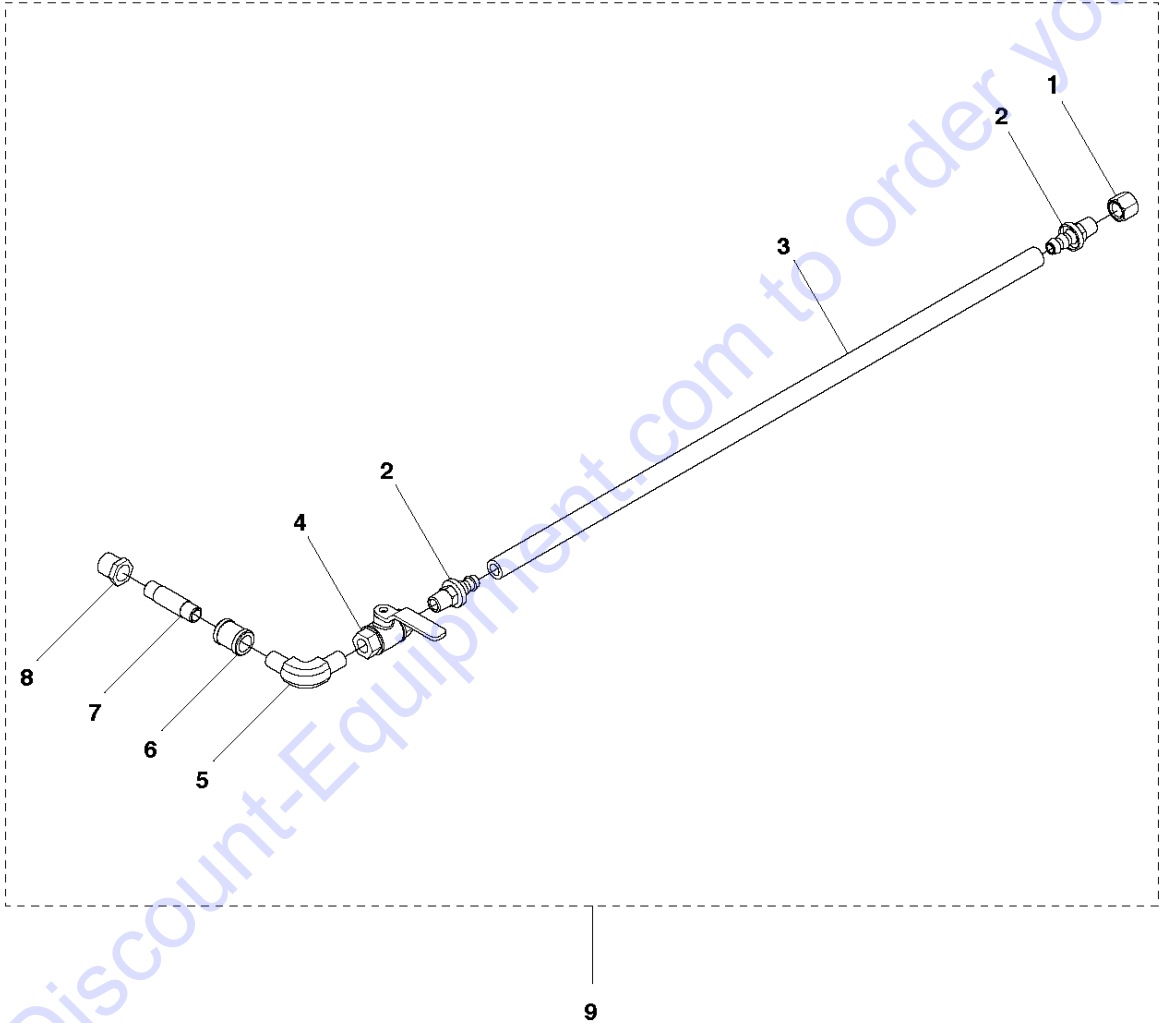
Go to Discount-Equipment.com to order your parts



Ref	Part No	Description	Remark	QTY	KIT
1	501 08 06-01	PLATE		2	4
2	576 64 57-05	NUT FLANGE		4	4
3	581 24 33-01	SCREW EHHFM		4	4

Go to [Discount-Equipment.com](http://Discount-Equipment.com) to order your parts

**D** SOFF CUT GX4200  
OIL DRAIN



Go to Discount-Equipment.com to order your parts

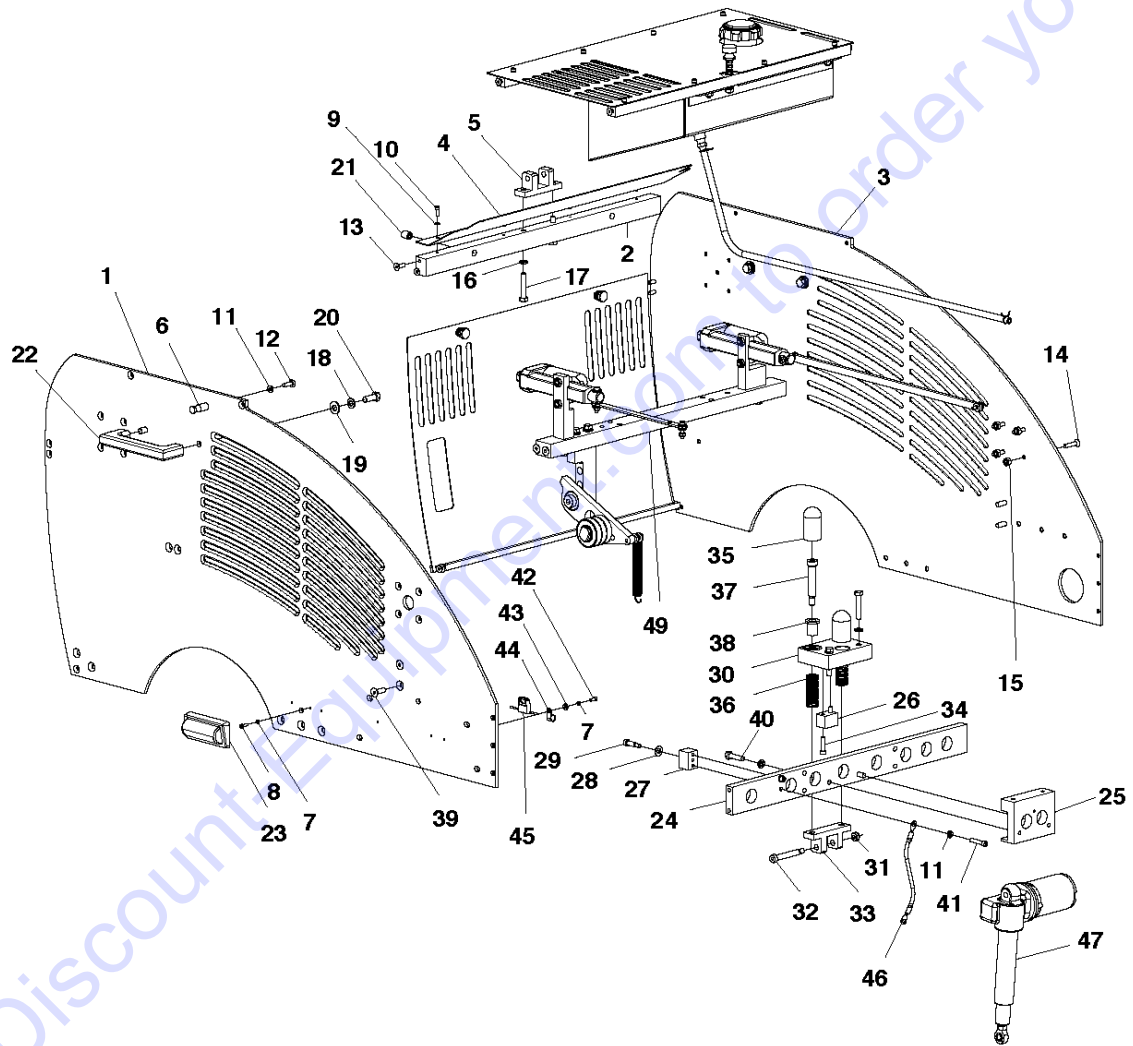
## OIL DRAIN

SOFF CUT 4200, 2016-12

Ref	Part No	Description	Remark	QTY	KIT
1	505 77 66-01	DUST CAP FOR OIL DRAIN-RP85123		1	9
2	505 73 86-01	GATES 6LOC-4RMP PUSH ON FITTIN		2	9
3	505 73 85-01	GATES 6 LOLA+ 3/8 I.D. HOSE		1	9
4	505 73 89-01	LHA BALL VALVE BV-04N		1	9
5	505 73 87-01	HCI ADAPTER MP-MP90-4-4		1	9
6	505 79 66-01	1/4 BRASS COUPLING		1	9
7	505 79 65-01	1/4" X 2" BRASS NIPPLE		1	9
8	505 79 64-01	HEX BUSHING		1	9
9	505 85 75-07	KIT		1	

Go to [Discount-Equipment.com](http://Discount-Equipment.com) to order your parts

**T** SOFF CUT GX4200  
PANEL



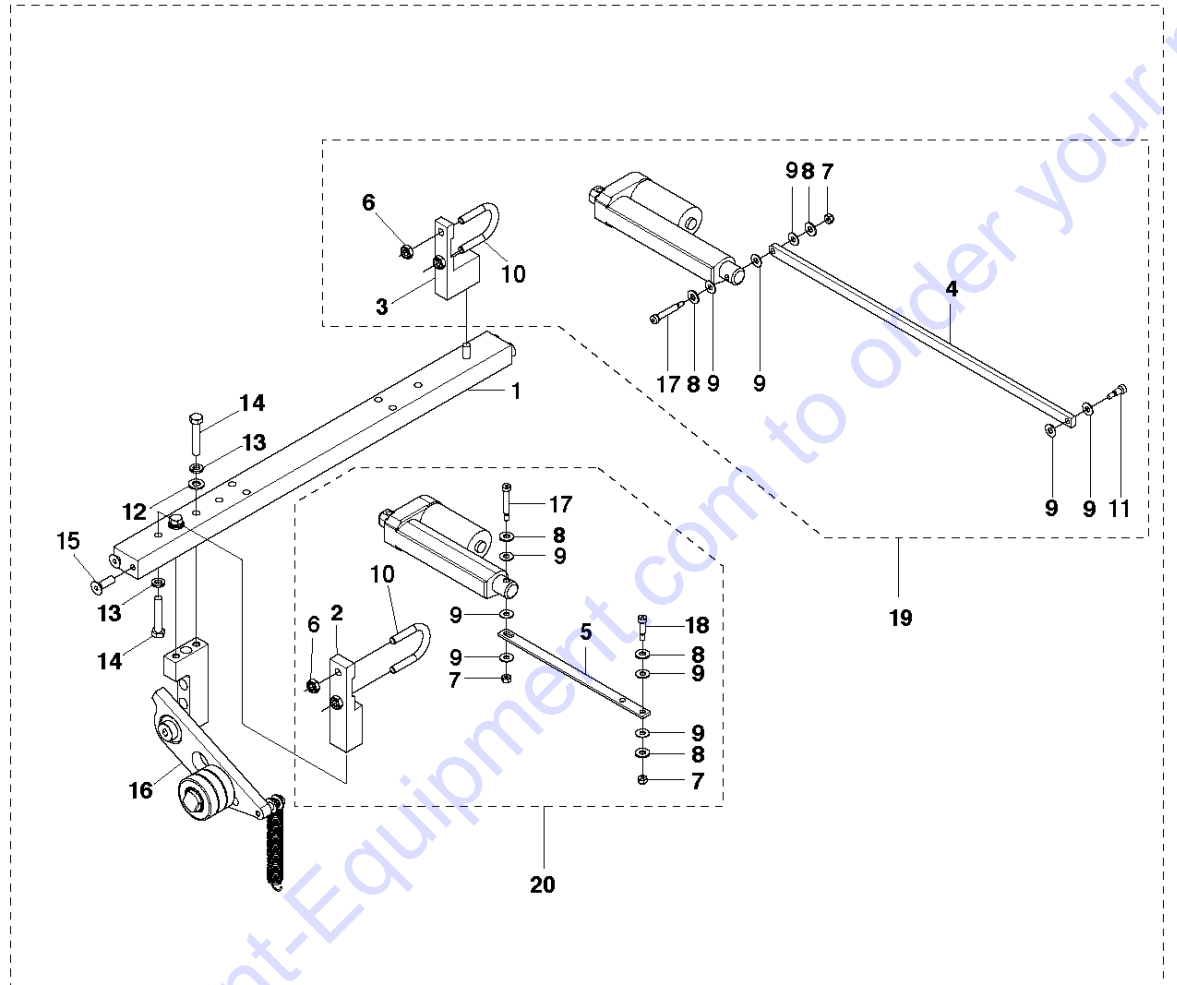
## PANEL ASSEMBLY

SOFF CUT 4200, 2016-12

Ref	Part No	Description	Remark	QTY KIT
1	505 79 26-01	RIGHT SIDE PLATE		1
2	505 75 88-01	CROSS BAR REAR ACCESS		1
3	505 79 25-01	LEFT SIDE PLATE		1
4	505 75 78-01	COVER		1
5	505 75 70-01	ACTUATOR		1
6	505 71 86-01	ROD G.A. STOP		1
7	505 63 27-01	LK WASH #8 SPLIT S.S.		6
8	505 62 82-01	SHC 8-32 X 1/2 S.S.		2
9	505 63 31-01	LK WASH #10 SPLIT SS		4
10	505 72 96-01	SHC 10-32 X 1/2 S.S. CBL MTS		4
11	505 63 28-01	LK WASH 1/4 SPLIT SS		3
12	505 62 75-01	HEX BOLT 1/4-20-3/4 S.S.		1
13	505 62 86-01	FHS 1/4-20-3/4 S.S.		4
14	505 77 34-01	1/4-20 X 1 1/4 FLAT SOCKET SS		4
15	539 97 69-78	NUT		4
16	505 63 30-01	LK WASH 5/16 SPLIT SS		6
17	505 72 85-01	HEX BOLT 5/16-18 X 1 3/4 GRADE		4
18	505 73 10-01	LK WASH 3/8 SPLIT SS		4
19	510 30 10-01	WASHER		4
20	505 83 31-01	HEX BOLT 3/8 - 16 X 1 S.S.		4
21	505 74 83-01	INSERT		2
22	505 71 69-01	HANDLES		2
23	505 48 69-02	LAMP		1
24	505 75 60-01	FRONT WHEEL SUPPORT		1
25	505 75 62-01	FRNT WHL SPRG BLK LOWER		1
26	505 75 63-01	FRNT WHL SPRG BLK STOPPER		1
27	505 68 35-01	BLD IDLER PULLEY SPRG BLK SPRT		1
28	539 99 01-88	WASHER		1
29	505 72 64-01	SHSB 5/16 X 3/4 BLK STL		1
30	505 75 61-01	FRNT WHL SPRG BLK UPPER		1
31	539 99 07-17	NUT		1
32	505 62 72-01	SHSH BOLT 3/8 X 2 1/4" (WHEELS		1
33	505 75 71-01	ACT. BRACKET LOWER FRONT SHOCK		1
34	505 62 79-01	SHC 1/4-20-1 S.S.		2
35	505 77 56-01	RUBBER CAP FOR RULON BUSHINGS		2
36	505 69 07-01	SPRING		2
37	523 05 96-11	BOLT		2
38	505 77 55-01	BUSHING		2
39	505 73 01-01	FHS 5/16-18-1 S.S.		4
40	505 72 84-01	HEX BOLT 5/16-18 X 1 1/4 GRADE		2
41	505 62 80-01	SHC 1/4-20-1 1/4 S.S.		2
42	505 62 81-01	SHC 8-32 X 3/8 S.S.		4
43	505 82 26-01	FLAT WASH. #8 SAE 18-8 SS		4
44	505 74 87-01	CBL CLAMP 3/8"		4
45	505 79 77-02	HARNESS		1
46	575 44 66-06	KIT		1
47	505 84 84-01	ACTUATOR		1

Go to [DiscountShipments.com](http://www.DiscountShipments.com) to order your parts

**R** SOFF CUT GX4200  
PUMP CROSS BAR



Go to Discount-Equipment.com to order your parts

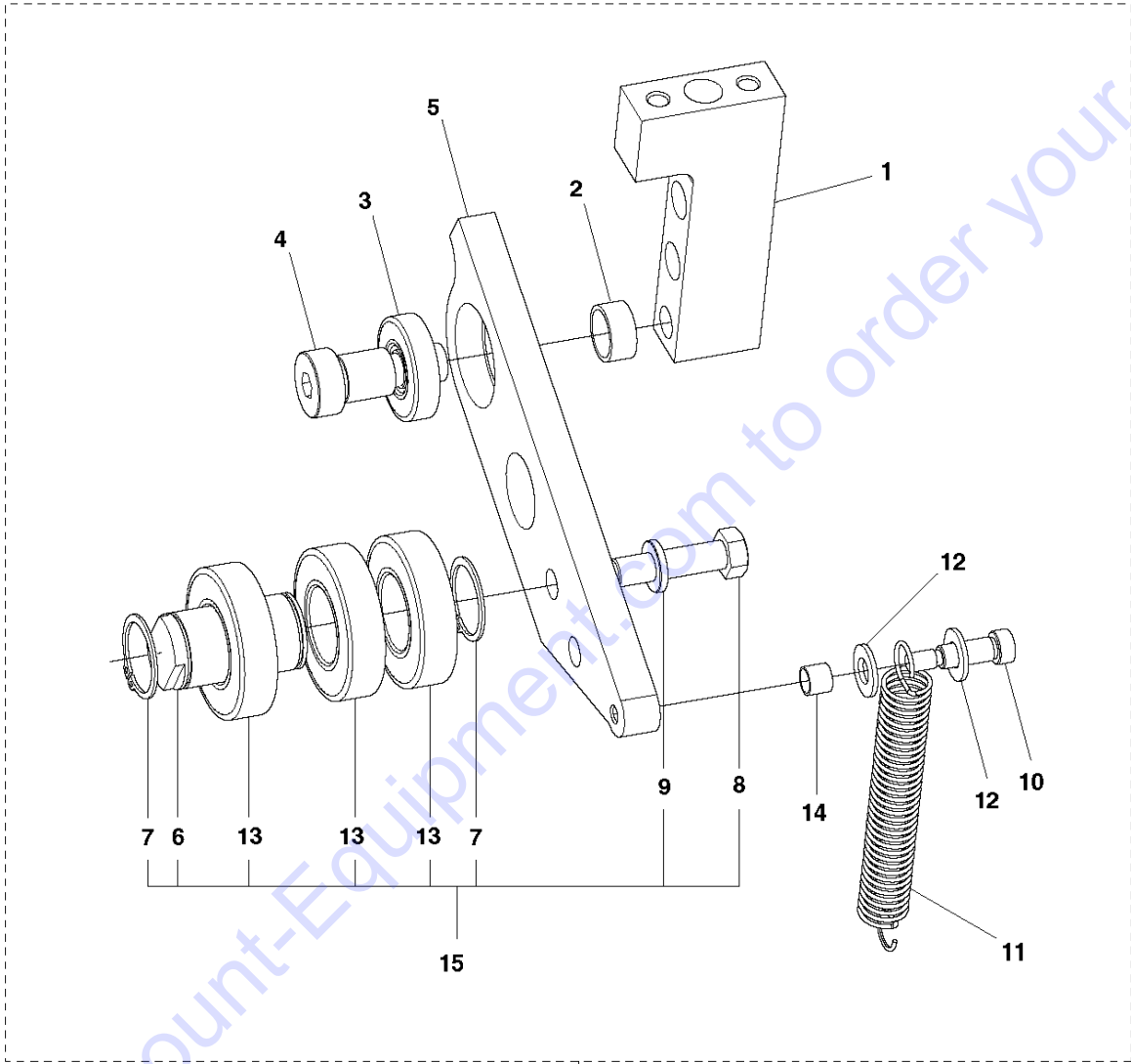
## PUMP CROSS BAR ASSEMBLY

SOFF CUT 4200, 2016-12

Ref	Part No	Description	Remark	QTY	KIT
1	505 79 21-01	CROSS BAR PUMP IDLER		1	21
2	505 61 10-01	ACTUATOR		1	20, 21
3	505 79 24-01	ACTUATOR		1	19, 21
4	505 61 11-01	ACTUATOR		1	19, 21
5	505 71 58-01	G2/X2500 THRTL ARM W/SLOT		1	20, 21
6	505 63 17-01	NYLOC NUT 5/16-18 .265"HT.		4	19, 20, 21
7	505 63 04-01	NYLOC NUT #10-24 CAD.PL.		3	19, 20, 21
8	505 63 20-01	WASHER		5	19, 20, 21
9	505 63 44-01	WASHER		10	19, 20, 21
10	575 42 13-01	CLAMP		2	19, 20, 21
11	505 68 64-01	SHSB 1/4 X 3/8 BLK STL		1	19, 21
12	539 99 01-88	WASHER		2	21
13	505 63 30-01	LK WASH 5/16 SPLIT SS		4	21
14	505 72 85-01	HEX BOLT 5/16-18 X 1 3/4 GRADE		4	21
15	505 73 01-01	FHS 5/16-18-1 S.S.		4	21
16	510 27 18-02	ASSEMBLY		1	21
17	505 81 17-01	SHSB 1/4 X 1 1/4		2	19, 20, 21
18	505 72 57-01	SHSB 1/4 X 5/8 BLK STL		1	20, 21
19	505 84 80-01	ACTUATOR		1	21
20	505 84 79-01	ACTUATOR		1	21
21	510 27 28-02	ASSEMBLY		1	

Go to Discount-Equipment.com to order your parts

**G** SOFF CUT GX4200  
PUMP IDLER PULLEY



Go to Discount-Equipment.com to order your parts



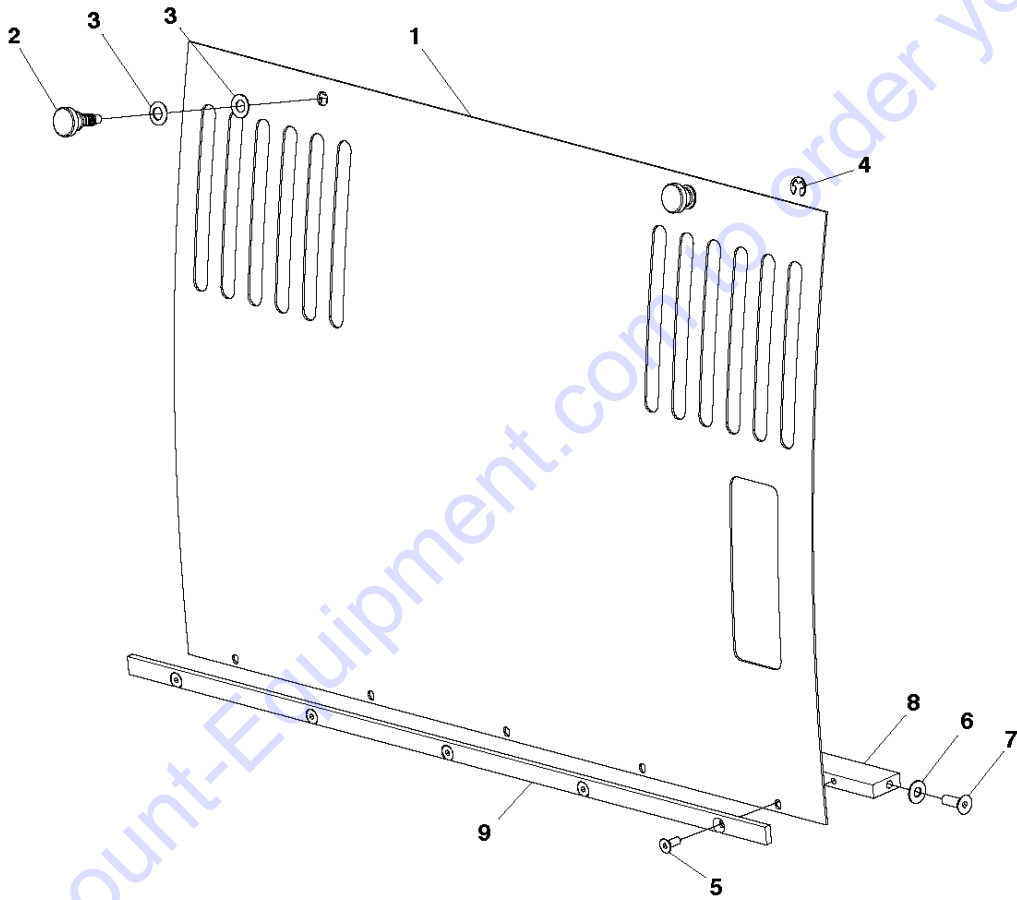
## PUMP IDLER PULLEY

SOFF CUT 4200, 2016-12

Ref	Part No	Description	Remark	QTY	KIT
1	505 71 44-01	MTG BLOCK PUMP IDLER PULLEY		1	16
2	505 71 46-02	SPACER		1	16
3	505 73 60-01	PULLEY		1	16
4	505 72 62-01	SHSB 5/8 X 3/4 BLK STL		1	15, 16
5	505 70 69-01	PUMP ARM IDLER PULLEY		1	15, 16
6	505 70 68-01	BLADE		1	15, 16
7	542 20 62-05	SNAP RING		2	16
8	505 79 58-01	HEX HD 3/8-16X1 1/2 GR 8		1	15, 16
9	505 73 10-01	LK WASH 3/8 SPLIT SS		1	16
10	505 72 64-01	SHSB 5/16 X 3/4 BLK STL		1	16
11	505 77 46-01	PUMP		1	16
12	539 99 01-88	WASHER		2	16
13	505 73 63-01	WHEEL		3	15, 16
14	505 71 79-01	BUSHING.G.A.(.315 SPACER)		1	16
15	505 48 34-01	PULLEY		1	16
16	510 27 18-02	ASSEMBLY		1	

Go to Discount-Equipment.com to order your parts

**S** SOFF CUT GX4200  
REAR ACCESS ASSEMBLY



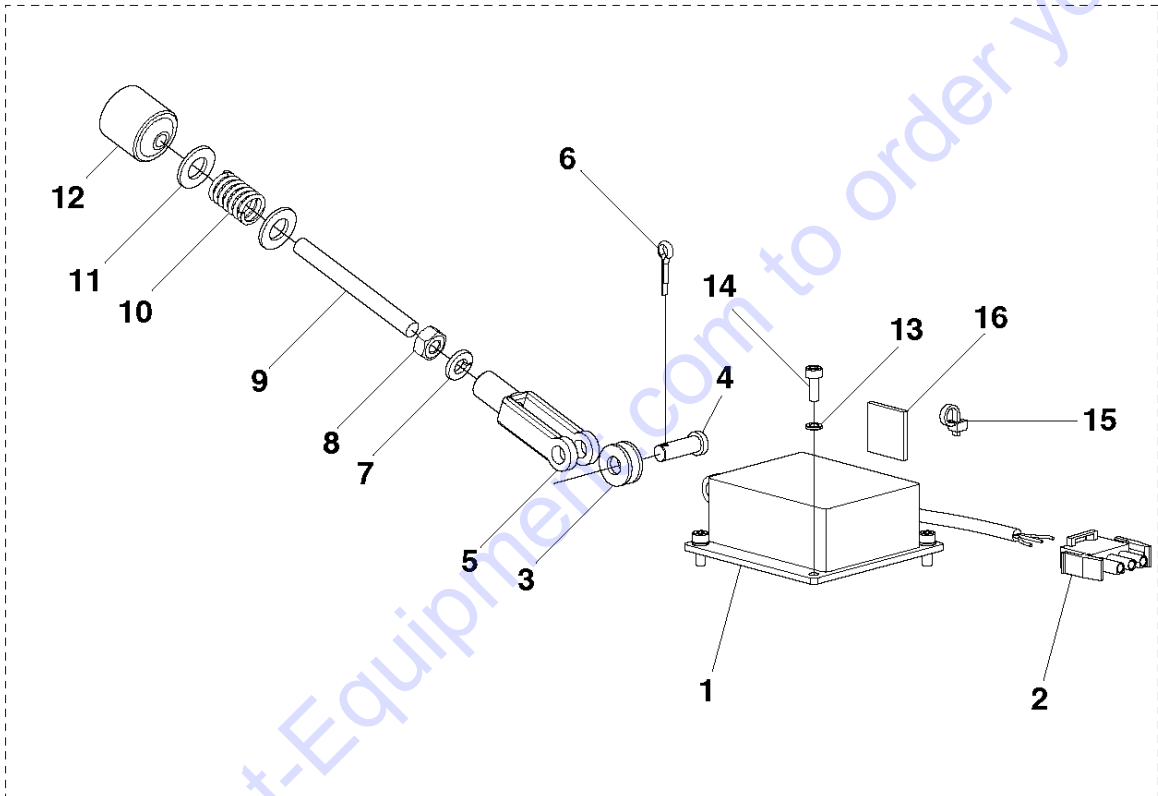
## REAR ACCESS ASSEMBLY

SOFF CUT 4200, 2016-12

Ref	Part No	Description	Remark	QTY KIT
1	505 79 16-01	REAR AXLE		1
2	505 53 63-01	KNOB		2
3	505 53 64-01	WASHER		4
4	505 53 65-01	E-CLIP		2
5	505 72 99-01	FHS 10-32-1/2 S.S.		5
6	505 63 44-01	WASHER		2
7	505 62 86-01	FHS 1/4-20-3/4 S.S.		2
8	505 76 61-01	CROSS BAR PIVOT REAR		1
9	505 76 71-01	BACK PANEL BRACE		1

Go to [Discount-Equipment.com](http://Discount-Equipment.com) to order your parts

**K** SOFF CUT GX4200  
SPEED CONTROL ACTUATOR



Go to Discount-Equipment.com to order your parts

## SPEED CONTROL

SOFF CUT 4200, 2016-12

Ref	Part No	Description	Remark	QTY	KIT
1	505 84 51-01	SPEED CONTROL SYSTEM		1	17
2	505 75 16-01	CONN 3 PIN PLUG		1	17
3	505 63 20-01	WASHER		2	17
4	505 74 35-01	CLEVIS		1	17
5	505 74 33-01	YOKE END FEM.TH D		1	17
6	505 73 97-01	COTTER PIN		1	17
7	505 63 28-01	LK WASH 1/4 SPLIT SS		1	17
8	505 73 29-01	1/4-28 HEX JAM NUT ZINC		1	17
9	505 77 08-01	1/4-28 X 2 1/2 STUD-SPD CTRL		1	17
10	505 77 51-01	#510 SPRG FOR STUD/SPD CTRL		1	17
11	505 72 55-01	FLAT WASH 1/4 PFC9 SAE ZINC		2	17
12	505 75 52-01	ADJUSTER		1	17
13	505 63 24-01	LK WASH #6 SPLIT S.S.		4	17
14	505 62 76-01	SHC 6-32 X 3/8 S.S.		4	17
15	510 33 17-01	TIE WRAP		1	17
16	510 33 16-02	TIE WRAP		1	17
17	505 84 51-01	SPEED CONTROL SYSTEM		1	

Go to [Discount-Equipment.com](http://Discount-Equipment.com) to order your parts

# PARTS FINDER

**Search Website  
by Part Number**



**Search Manual  
Library For Parts  
Manual & Lookup Part  
Numbers – Purchase  
or Request Quote**

**Search Manuals**

Enter your information to help us find the right parts manual for your machine.

\* Brand:

\* Model:

\* Serial:

\* Part Number:

SEARCH

**Can't Find Part or  
Manual? Request Help  
by Manufacturer,  
Model & Description**

**Parts Order Form**

Please fill in the following information to help us find the right part for your machine.

Manufacturer:	<input type="text"/>
Model:	<input type="text"/>
Description:	<input type="text"/>
Part Number:	<input type="text"/>
Quantity:	<input type="text"/>
Notes:	<input type="text"/>

Submit

Discount-Equipment.com is your online resource for quality parts & equipment.

Florida: **561-964-4949** Outside Florida TOLL FREE: **877-690-3101**

**Need parts?**

Click on this link: <http://www.discount-equipment.com/category/5443-parts/> and choose one of the options to help get the right parts and equipment you are looking for. Please have the machine model and serial number available in order to help us get you the correct parts. If you don't find the part on the website or on one of the online manuals, please fill out the request form and one of our experienced staff members will get back to you with a quote for the right part that your machine needs.

We sell worldwide for the brands: Genie, Terex, JLG, MultiQuip, Mikasa, Essick, Whiteman, Mayco, Toro Stone, Diamond Products, Generac Magnum, Airman, Haulotte, Barreto, Power Blanket, Nifty Lift, Atlas Copco, Chicago Pneumatic, Allmand, Miller Curber, Skyjack, Lull, Skytrak, Tsurumi, Husquvarna Target, Stow, Wacker, Sakai, Mi-T-M, Sullair, Basic, Dynapac, MBW, Weber, Bartell, Bennar Newman, Haulotte, Ditch Runner, Menegotti, Morrison, Contec, Buddy, Crown, Edco, Wyco, Bomag, Laymor, EZ Trench, Bil-Jax, F.S. Curtis, Gehl Pavers, Heli, Honda, ICS/PowerGrit, IHI, Partner, Imer, Clipper, MMD, Koshin, Rice, CH&E, General Equipment, Amida, Coleman, NAC, Gradall, Square Shooter, Kent, Stanley, Tamco, Toku, Hatz, Kohler, Robin, Wisconsin, Northrock, Oztec, Toker TK, Rol-Air, APT, Wylie, Ingersoll Rand / Doosan, Innovatech, Con X, Ammann, Mecalac, Makinex, Smith Surface Prep, Small Line, Wanco, Yanmar